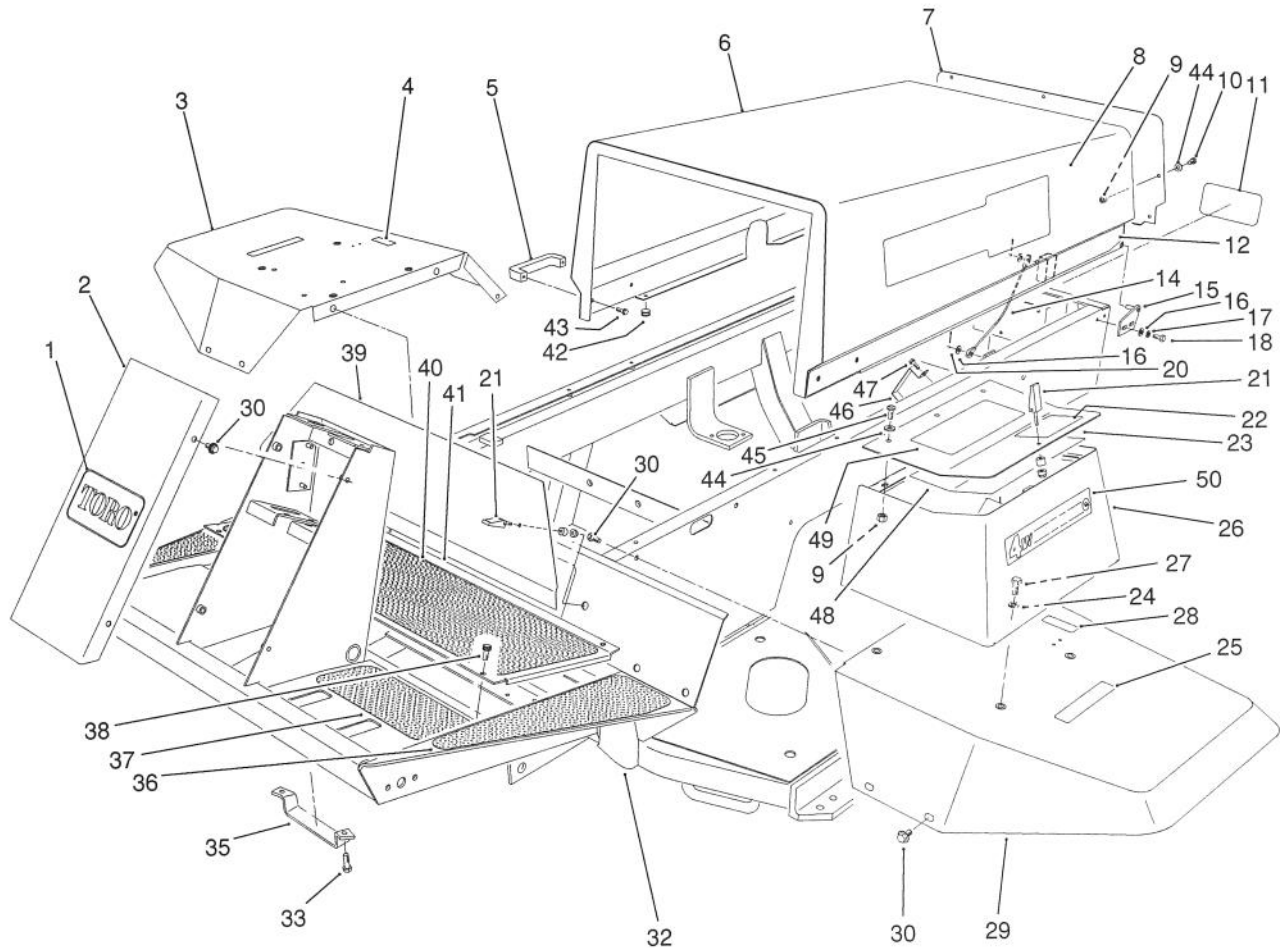




MODEL NO. 03501-10001 & UP

PARTS CATALOG

REELMASTER® 223D 4 Wheel Drive
TRACTION UNIT WITH ACCESSORIES



T-1323

FRAME & BODY ASSEMBLY

Ref. No.	Part No.	Description	No. Used
1	62-5550	Decal - TORO	1
2	75-1420	Cover - Steering Tower	1
3	75-3840	Fender - R.H.	1
‡4	75-0740	Decal - Hydraulic Oil (English)	1
5	65-5100	Handle	2
6	14-0959	Hood	1
7	75-2820	Grill - Hood	1
8	75-0660	Decal - Reelmaster® 223D	2
9	3296-42	Nut - Lock	10
10	321-39	Screw - Cap Hex. Hd.	7
11	62-7400	Decal - TORO	1
12	75-0670	Decal - Hood Trim L.H.	1
*	75-0680	Decal - Hood Trim R.H.	1
14	75-0570	Cable - Hood	1
15	63-6900	Hinge - Hood L.H.	1
*	63-6890	Hinge - Hood R.H.	1

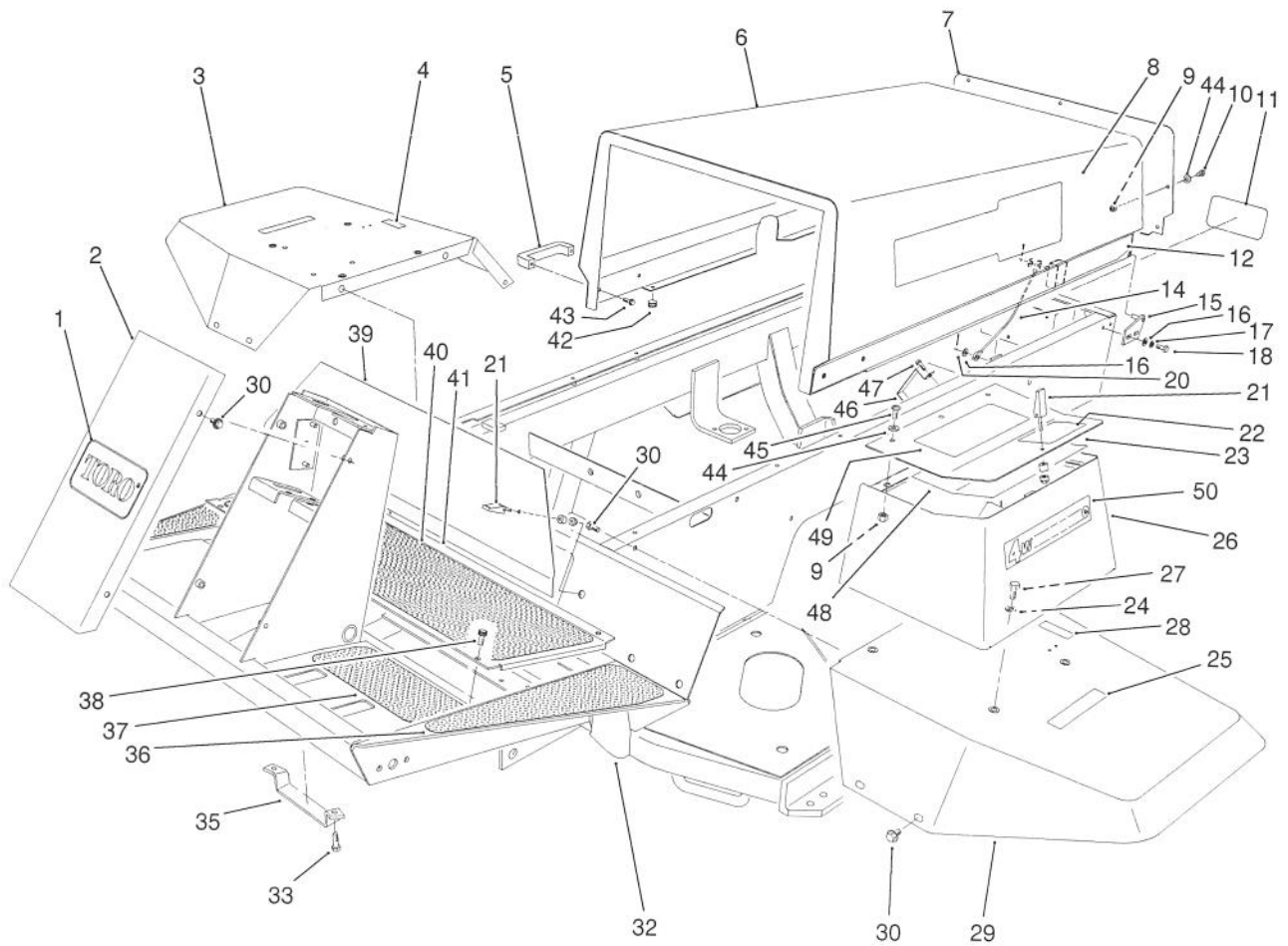
Ref. No.	Part No.	Description	No. Used
16	3256-23	Washer - Flat	6
17	3253-4	Washer - Lock	14
18	322-5	Screw - Cap Hex. Hd.	4
20	3272-4	Pin - Cotter	2
21	249-48	Swell Latch Assembly	3
‡22	75-1280	Decal - Warning (English)	1
23	75-6260	Cover - Tool Box	1
24	3256-3	Washer - Flat	4
‡25	75-5190	Decal - No Riders (English)	2
26	75-5810	Box - Tool	1
27	322-3	Screw - Cap Hex. Hd.	4
‡28	52-1320	Decal - Fuel (English)	1
29	75-3860	Fender - L.H.	1
30	3234-14	Screw - Hex. Washer Hd.	14
32	75-2200	Frame Assembly	1
33	322-4	Screw - Cap Hex. Hd.	2
35	75-2860	Bracket - Hose	1

‡For different language versions of this part, see International Decal Cross Reference.

*Not Illustrated

© The TORO Company - 1991

TPS



T-1323

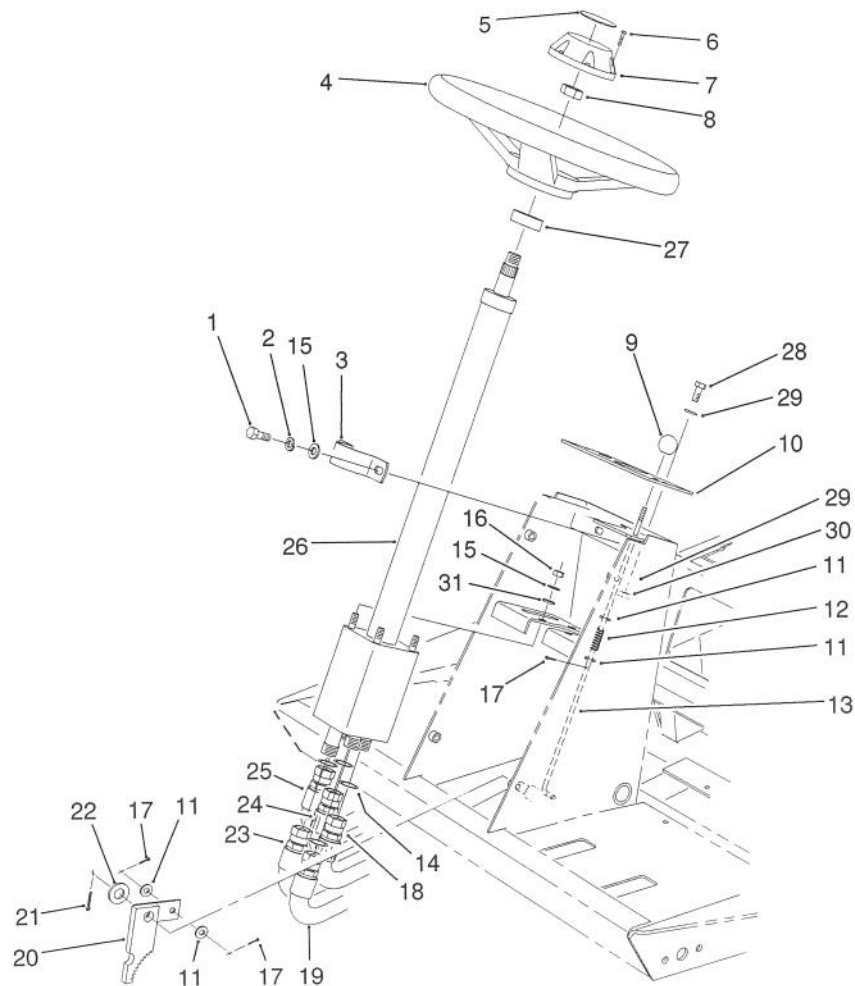
FRAME & BODY ASSEMBLY (Continued)

Ref. No.	Part No.	Description	No. Used
36	75-0650	Tread - Footrest L.H.	1
*	75-0640	Tread - Footrest R.H.	1
37	75-0620	Tread - Foot L.H.	1
*	75-0610	Tread - Foot R.H.	1
38	75-6840	Knob - Knurled	4
39	75-1390	Panel - Access	1
40	75-0630	Tread - Foot Center	1
41	75-1410	Panel - Floor	1
42	237-141	Bumper	2

Ref. No.	Part No.	Description	No. Used
43	46-8091	Screw - Cap Hex. Hd.	4
44	3256-1	Washer - Flat	10
45	3258-166	Screw - Phillip Hd.	3
46	75-6280	Bracket - Hose	1
47	49-2040	Screw - Hex. Washer Hd.	2
‡48	75-0730	Decal - Instructions (English)	1
‡49	75-7540	Decal - Warning (English)	1
50	72-3560	Decal - 4 Wheel Drive	1

*Not Illustrated

‡For different language versions of this part, see International Decal Cross Reference.

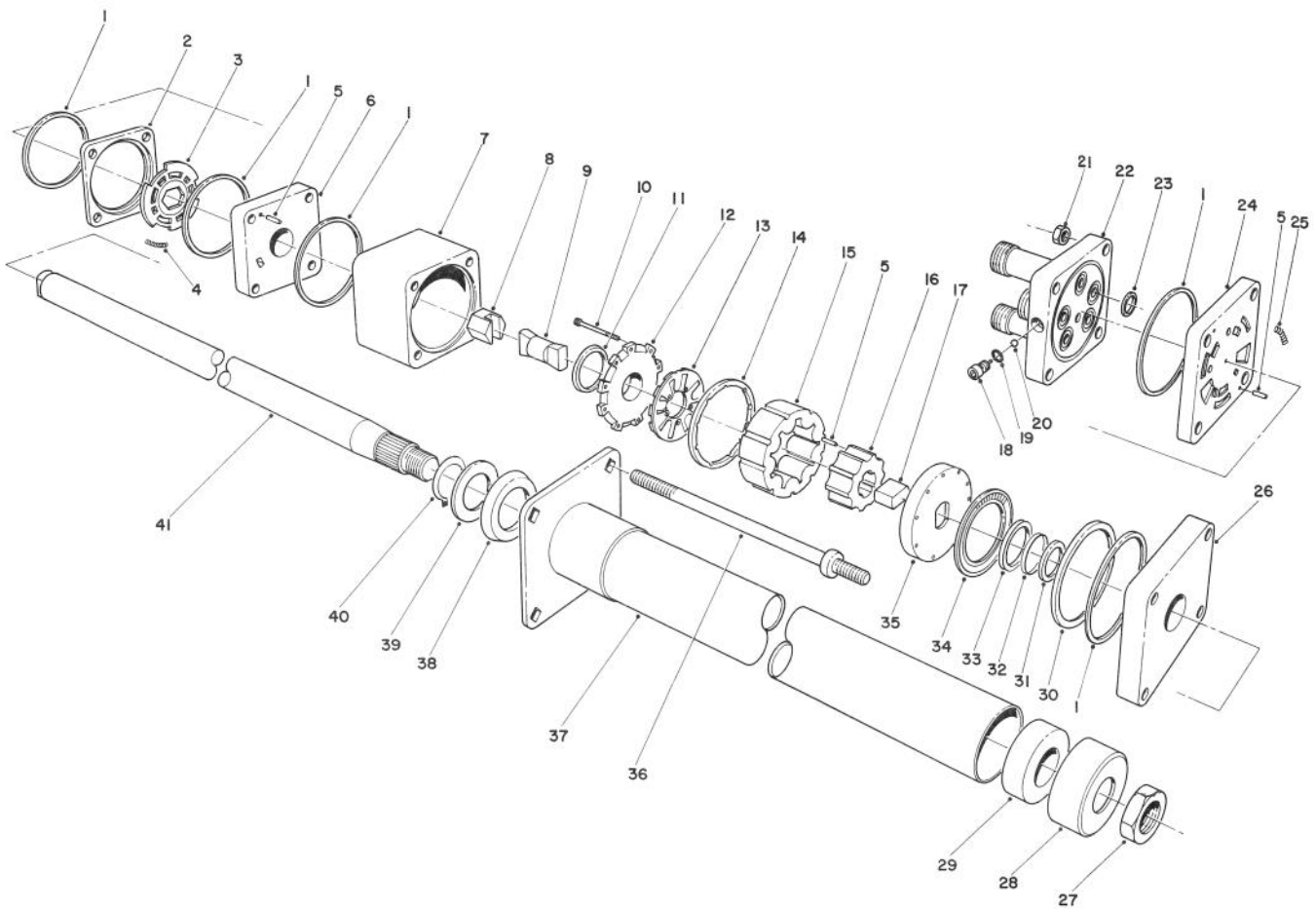


T-1044

STEERING TOWER ASSEMBLY

Ref. No.	Part No.	Description	No. Used	Ref. No.	Part No.	Description	No. Used
1	322-3	Screw - Cap Hex. Hd.	2	18	75-6230	Hose - Hydraulic RT	1
2	3253-4	Washer - Lock	2	19	75-6240	Hose - Hydraulic IN	1
3	75-2810	Clamp - Steering Valve	1	20	63-7900	Rack - Parking Brake	1
4	75-0560	Wheel - Steering	1	21	3272-10	Pin - Cotter	1
5	68-5370	Decal - TORO	1	22	3256-26	Washer - Flat	1
6	32144-21	Screw	1	23	75-5940	Hose - Hydraulic AUX	1
7	68-5140	Cap - Steering Wheel	1	24	75-6220	Hose - Hydraulic LT	1
8	3220-6	Nut - Steering Wheel	1	25	75-6250	Hose - Hydraulic OUT	1
9	233-17	Knob - Parking Brake	1	26	75-0600	Steering Valve Assembly (Incl. Ref. #14)	1
10	75-0580	Panel - Tower	1	27	21-9260	Seal - Shaft	1
11	3256-22	Washer - Flat	4	28	3258-166	Screw - Phillip Hd.	2
12	3-3251	Spring - Compression	1	29	3256-1	Washer - Flat	2
13	75-1490	Rod - Parking Brake	1	30	3296-42	Nut - Lock	2
14	237-22	Seal - O-Ring	5	31	3256-23	Washer - Lock E.T.L.W.	1
15	3256-23	Washer - Flat	6	*	3290-378	Tie - Cable	3
16	3296-20	Nut - Lock	4				
17	3272-5	Pin - Cotter	3				

*Not Illustrated



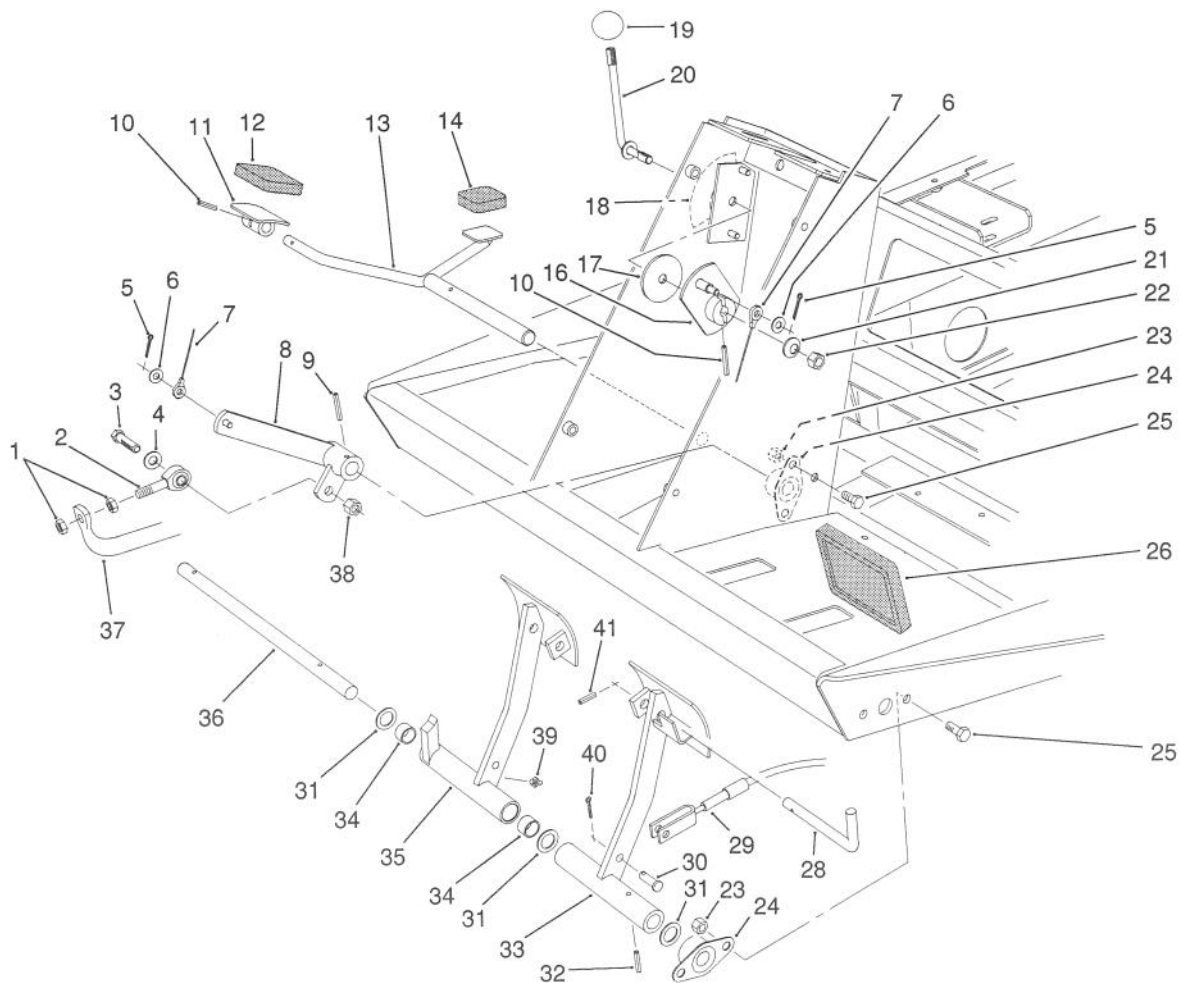
T-0417

STEERING VALVE ASSEMBLY No. 75-0600

Ref. No.	Part No.	Description	No. Used
1		Ring-Seal	5
2		Ring-Valve	1
3		Plate-Valve	1
4		Spring	3
5		Pin-Alignment	9
6		Manifold-Isolation	1
7		Ring-Metering	1
8		Hex Drive Assy.	1
9		Link-Drive	1
10		Screw-Hex Socket Hd.	11
11		Seal-Commutator	1
12		Cover-Commutator	1
13		Commutator	1
14		Ring-Commutator	1
15		Stator	1
16		Rotor	1
17		Spacer-Drive Link	1
18		Plug	1
19		O-Ring	1
20		Ball	1
21		Nut-Hex	4
22		Cover-Port	1
23		O-Ring	5

Ref. No.	Part No.	Description	No. Used
24		Manifold-Port	1
25		Spring	3
26		Plate-Cover, Upper	1
27	3220-6	Nut	1
28	66-9770	Seal	1
29	66-9780	Bushing	1
30		Spacer-Bearing, Thrust	1
31		Spacer-Seal	1
32		Ring-Back Up	1
33		Seal-Face	1
34		Bearing-Thrust	1
35		Plate-Drive	1
36	66-9850	Bolt-Special	4
37	66-9860	Upper Cover & Jacket	1
38	66-9870	Plate-Retaining	1
39	66-9880	Washer-Retaining Plate	1
40	66-9890	Ring-Retaining	1
41	66-9900	Shaft-Input	1
*	66-9970	Spring Kit	1
*	66-9980	Seal-Kit	1
*	66-9990	Needle Roller Kit	1
*	75-0600	Valve-Power Steering (Incl. Ref. #1-26 & 30-36)	1

*Not Illustrated



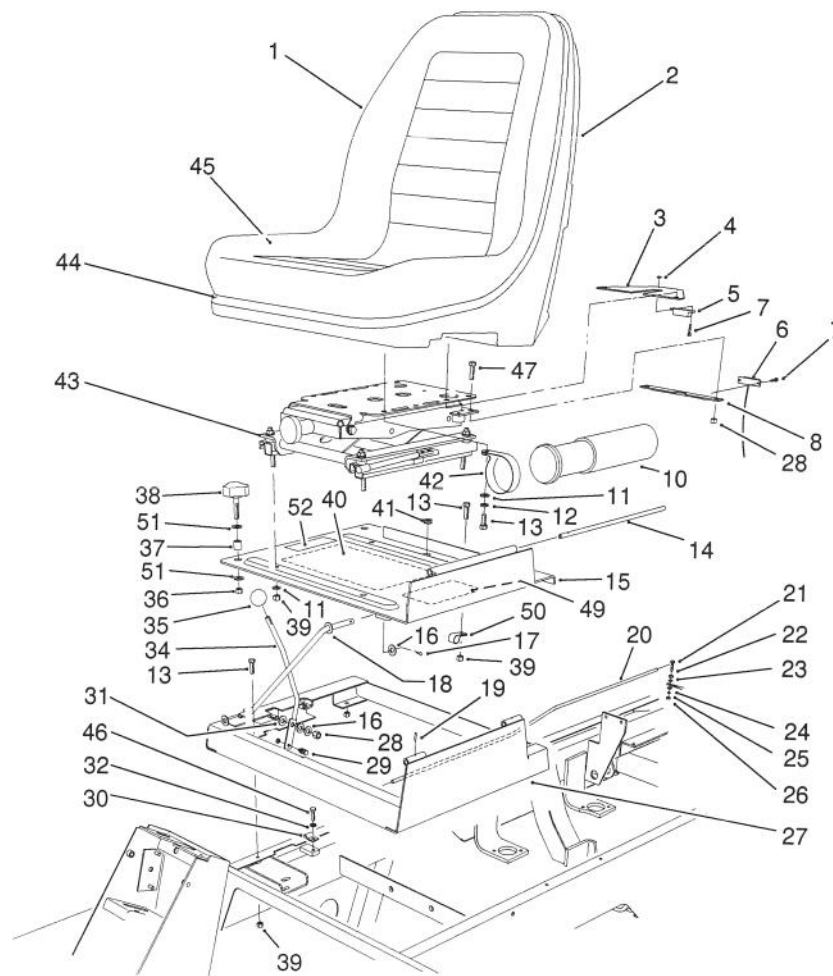
T-1045

TRACTION & BRAKE PEDALS ASSEMBLY

Ref. No.	Part No.	Description	No. Used	Ref. No.	Part No.	Description	No. Used
1	3220-3	Nut - Jam	2	22	3296-59	Nut - Lock	1
2	2411-36	Bearing - Rod End	1	23	3296-29	Nut - Lock	8
3	323-8	Screw - Cap Hex. Hd.	1	24	256-236	Bearing - Flange	4
4	3256-24	Washer - Flat	1	25	322-3	Screw - Cap Hex. Hd.	8
5	3272-2	Pin - Cotter	2	26	7-3900	Pad - Brake	2
6	3256-22	Washer - Flat	2	28	63-7880	Pin - Brake Latch	1
7	75-6580	Cable - Pedal	1	29	63-7733	Cable - Brake L.H.	1
8	75-3270	Lever - Traction Pivot	1	*	63-7732	Cable - Brake R.H.	1
9	32121-6	Pin - Roll	1	30	283-58	Pin - Clevis	4
10	32121-45	Pin - Roll	2	31	3256-69	Washer - Thrust	3
11	49-6440	Plate - Traction Pedal	1	32	32121-16	Pin - Roll	1
12	74-9100	Pad - Forward	1	33	75-1440	Pedal - Brake L.H.	1
13	75-2970	Pedal - Traction	1	34	256-42	Bushing - Sleeve	2
14	74-9110	Pad - Reverse	1	35	75-1430	Brake Pedal Assembly R.H. (Incl. Ref. #34 & 39)	1
16	75-6510	Lever - Bracket	1	36	75-1470	Shaft - Brake Pedal	1
17	75-6550	Disc - Friction	1	37	75-2170	Tube - Pump Control	1
‡18	75-6710	Decal - Fast/Slow (English)	1	38	3296-39	Nut - Lock	1
19	233-42	Knob	1	39	302-5	Fitting - Grease	1
20	75-6490	Lever - Pedal Stop	1	40	3272-10	Pin - Cotter	4
21	3290-461	Washer - Belleville	1	41	32121-50	Pin - Roll	1

*Not Illustrated

‡For different language versions of this part, see International Decal Cross Reference.

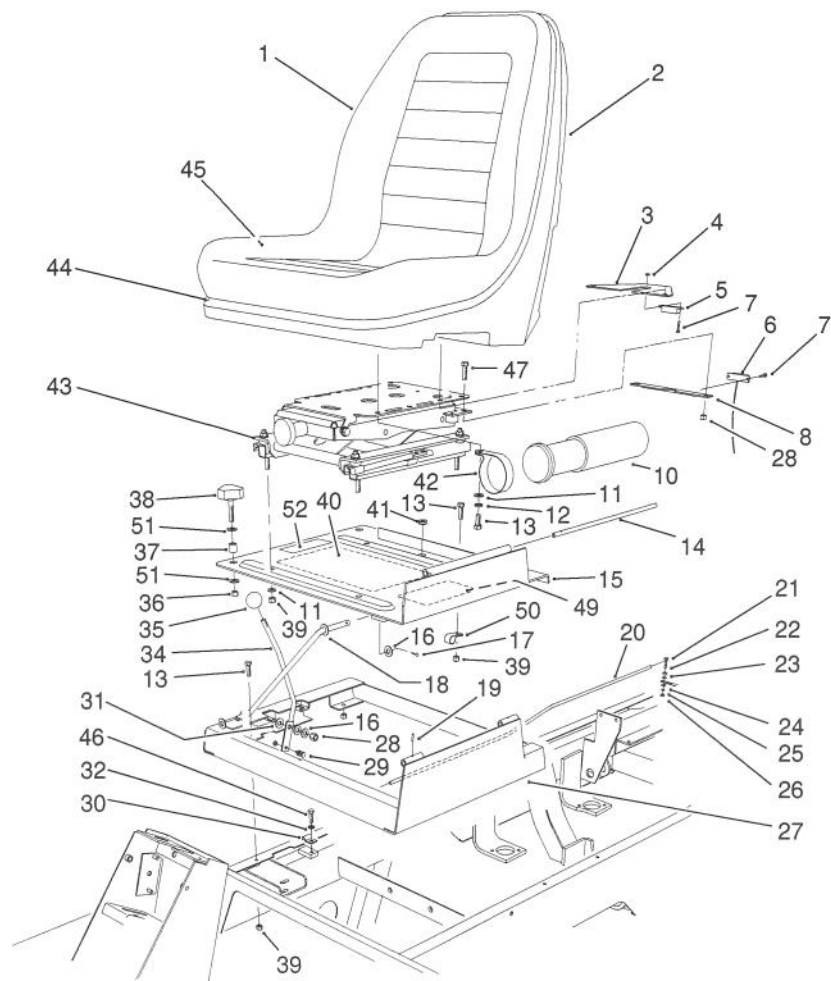


T-1046

SEAT & THROTTLE ASSEMBLY

Ref. No.	Part No.	Description	No. Used
1	66-5400	Seat Assembly (Incl. Ref. #2 & 44-45)	1
2	67-9560	Shell - Seat	1
3	75-4370	Bracket - Switch (Seat)	1
4	3296-54	Nut - Lock	4
5	75-6330	Magnet - Switch	1
6	75-6320	Sensor - Switch	1
7	3250-29	Screw - Cap Hex. Hd.	4
8	75-4360	Bracket - Switch	1
10	74-0720	Tube - Manual	1
11	3256-2	Washer - Flat	8
12	3253-4	Washer - Lock	4
13	322-3	Screw - Cap Hex. Hd.	9
14	75-3400	Shaft - Seat Pivot	1
15	75-3880	Plate - Seat	1
16	3256-24	Washer - Flat	3
17	3272-11	Pin - Cotter	2
18	75-3680	Rod - Seat	1
19	32121-38	Pin - Roll	1
20	75-1350	Cable - Throttle	1
21		Screw - Special	2
22		Sleeve - Connector	2
23		Washer - Spring	2

Ref. No.	Part No.	Description	No. Used
24		Washer - Flat	2
25		Washer - I.T.L.W.	2
26		Nut - Hex.	2
27	75-3300	Frame - Seat	1
28	3296-39	Nut - Lock	3
29	63-6760	Throttle Cable Swivel Assy. (Incl. Ref. #21-26)	2
30	3-6657	Clamp - Cable	1
31	66-2920	Spacer - Throttle	2
32	3253-3	Washer - Lock	1
34	75-3430	Rod - Throttle	1
35	233-42	Knob - Throttle	1
36	3296-59	Nut - Lock	2
37	75-5270	Spacer - Locking Knob	2
38	75-5260	Knob - Locking	2
39	3296-29	Nut - Lock	9
40	75-0760	Decal - Solenoid Info.	1
41	237-141	Grommet	1
42	2412-133	Clamp - R	2
43		Seat Suspension Assembly	1
44		Edging - Seat	1
45	67-9550	Kit - Seat Cushion	1
46	321-4	Screw - Cap Hex. Hd.	1

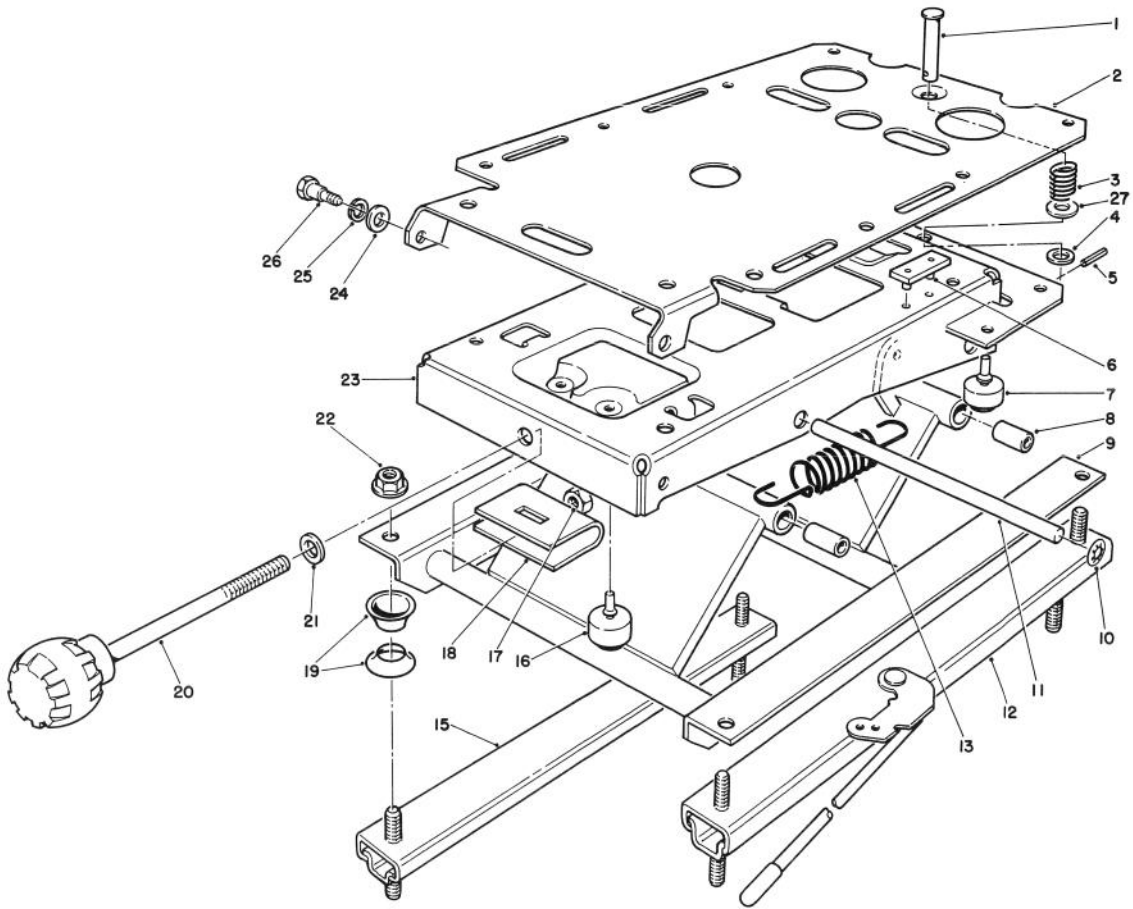


T-1046

SEAT & THROTTLE ASSEMBLY (Continued)

Ref. No.	Part No.	Description	No. Used	Ref. No.	Part No.	Description	No. Used
47	323-4	Screw - Cap Hex. Hd.	2	51	52-2860	Washer - Flat	4
‡49	75-6830	Decal - Danger (English)	1	‡52	83-7440	Decal - Knob (English)	1
50	2412-93	Clamp - R	1				

‡For different language versions of this part, see International Decal Cross Reference.

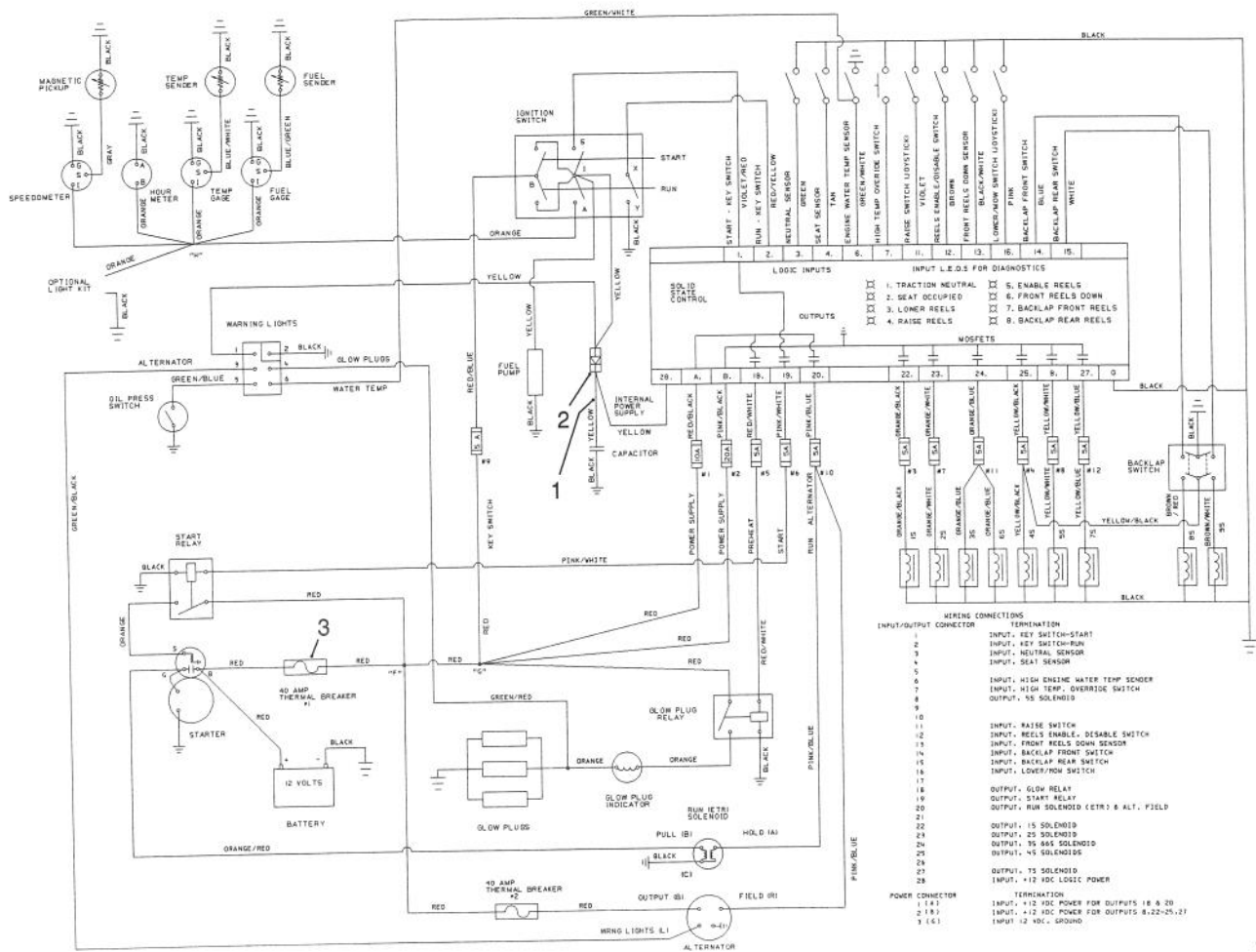


T-1031

SEAT SUSPENSION ASSEMBLY

Ref. No.	Part No.	Description	No. Used
1	80-4860	Pin-Clevis	1
2	75-3580	Plate-Mounting, Seat	1
3	75-3530	Spring-Compression	1
4	3256-5	Washer - Flat	1
5	3256-24	Washer	1
6	75-3540	Pin-Roll	1
7	75-3550	Bumper-Seat	2
8	76-2940	Bumper-Rubber	2
9	76-1920	Bushing-Sleeve	4
10	66-8610	Weldment-Lower	1
11	66-8560	Nut-Push	4
12	76-1910	Shaft-Pivot	2
13	82-9060	Adjuster W/Handle	1

Ref. No.	Part No.	Description	No. Used
14	75-3490	Spring-Extension	2
15	66-9290	Spacer	6
16	66-8530	Adjuster	1
17	66-8520	Bumper-Downstop	2
18	75-3500	Weldment-Hanger	1
19	76-1930	Knob-Tension Adjustment	1
20	3256-46	Washer-Flat	1
21	32128-26	Nut-Flange	4
22	3296-44	Nut-Lock	1
23	75-3480	Weldment-Upper	1
24	3256-26	Washer-Flat	2
25	3253-6	Washer-Lock	2
26	75-3510	Bolt-Shoulder	2

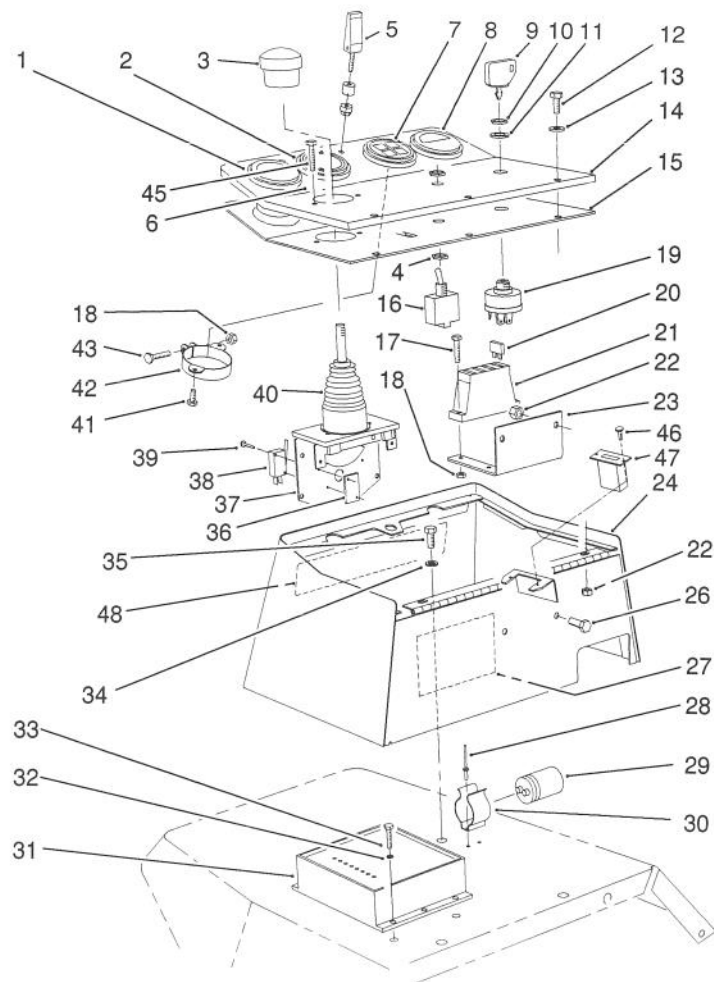


T-1143

ELECTRICAL SCHEMATIC

Ref. No.	Part No.	Description	No. Used
1	84-1820	Harness - Wire Main (Incl. Ref. #2)	1

Ref. No.	Part No.	Description	No. Used
2	67-7130	Diode	1
3	70-8570	Breaker - Circuit	1



T-1324

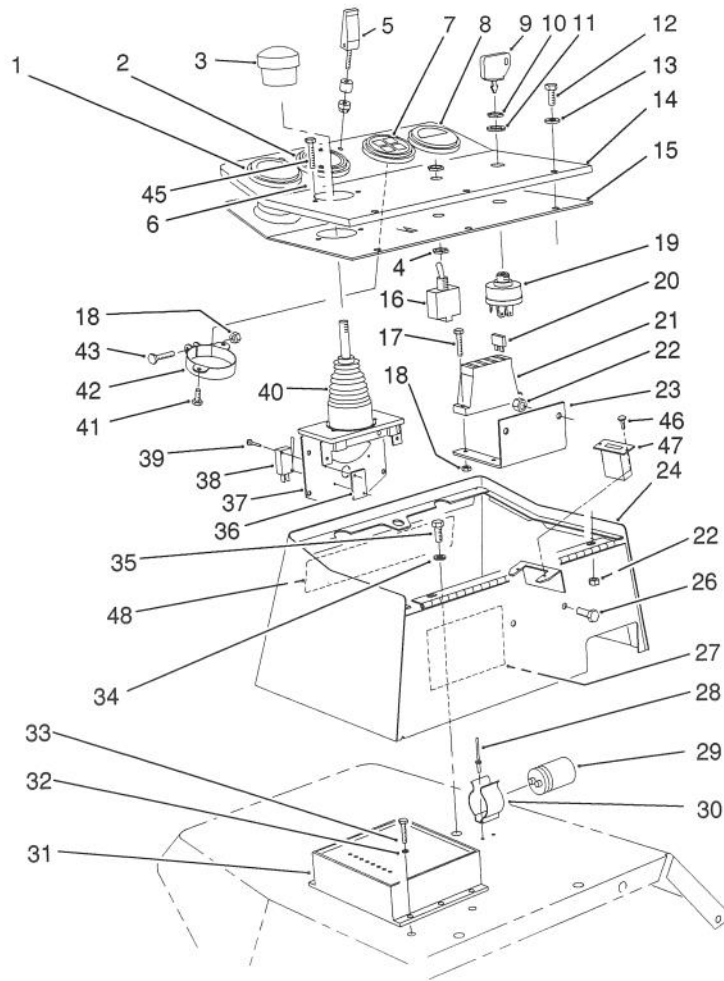
CONTROL CONSOLE ASSEMBLY

Ref. No.	Part No.	Description	No. Used
1	66-2940	Gauge - Fuel	1
2	75-6620	Gauge - Speedometer	1
3	3290-489	Knob - Lift Control	1
4	218-498	Nut - Hex.	2
5	249-48	Swell Latch Assembly	1
6	3256-77	Washer - Flat	2
7	66-2960	Cluster - Warning	1
*	75-4710	Harness - Warning Light	1
*	219-17	Bulb - Light	4
8	63-7430	Gauge - Temperature	1
9	63-8360	Key - Ignition	1
10	218-446	Nut - Locking	1
11	218-447	Washer - E.T.L.W.	1
12	3258-166	Screw - Phillip Hd.	5
13	3256-1	Washer - Flat	5
14	75-0590	Panel - Control	1
15	75-6270	Cover - Control Box	1
16	75-1010	Toggle Switch Assembly (Incl. Ref. #4)	1
17	32105-13	Screw - Cap Hex. Hd.	4
18	3296-2	Nut - Lock	5
19	27-2360	Ignition Switch Assembly (Incl. Ref. #9-11)	1

Ref. No.	Part No.	Description	No. Used
20	218-573	Fuse - 5A	10
*	218-578	Fuse - 10A	1
*	218-594	Fuse - 20A	1
21	67-7160	Block - Fuse	3
22	3296-42	Nut - Lock	7
23	75-4380	Bracket - Fuse Block	1
24	75-5740	Box - Control	1
26	321-39	Screw - Cap Hex. Hd.	2
‡27	75-0690	Decal - Instruction (English)	1
28	3269-15	Rivet - Pop	2
29	37-2690	Capacitor	1
30	74-2310	Clamp - Capacitor	1
31	75-0530	Controller - Electronic	1
32	3253-3	Washer - Lock	3
33	321-4	Screw - Cap Hex. Hd.	3
34	3256-3	Washer - Flat	4
35	322-3	Screw - Cap Hex. Hd.	4
36	3290-354	Plate - Nut	2
37	75-3420	Lift Control Assembly (Incl. Ref. #3 & 37-40)	1
38	218-590	Switch - Micro	2
39	3290-93	Screw - Cap Hex. Hd.	4

*Not Illustrated

‡For different language versions of this part, see International Decal Cross Reference.



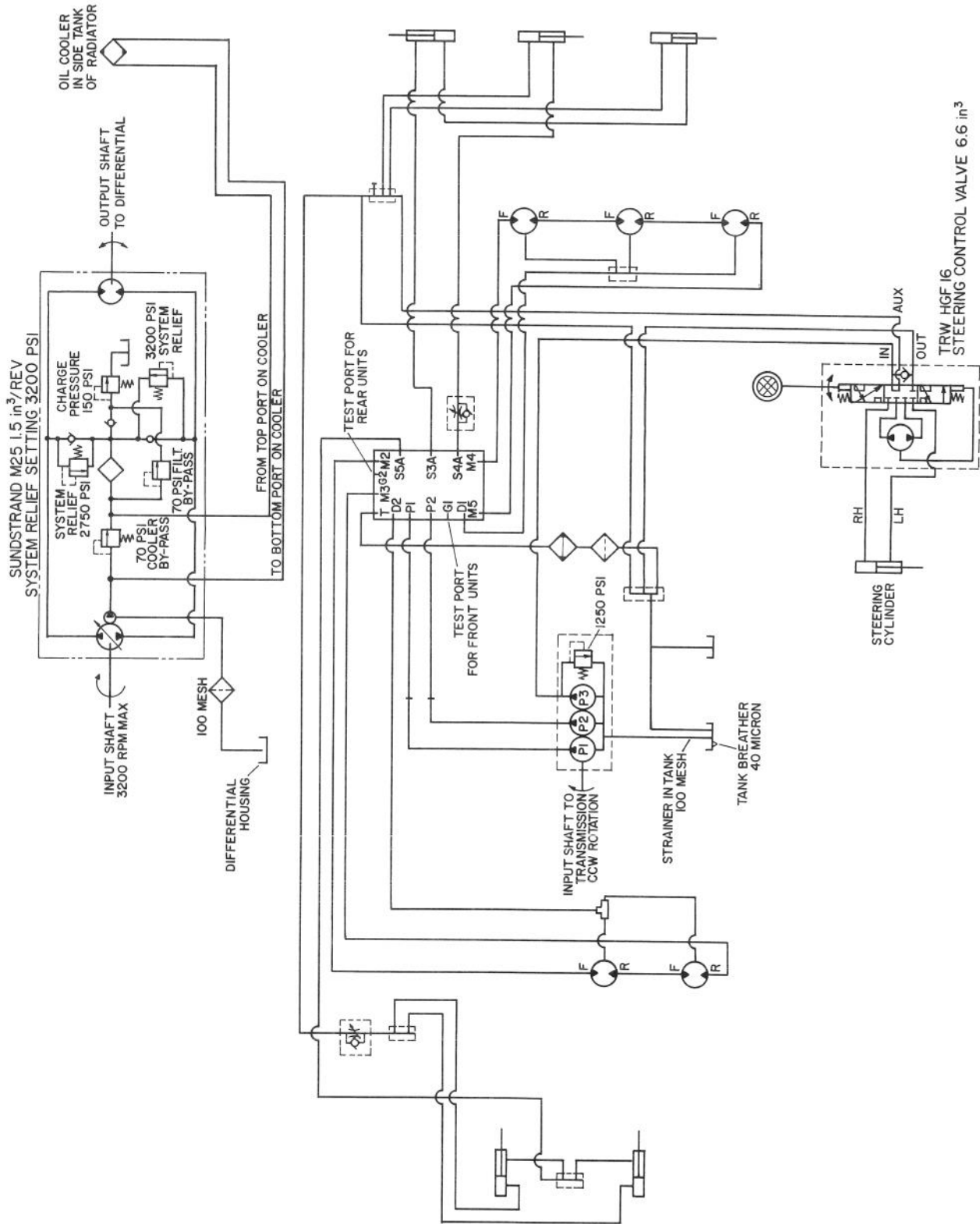
T-1324

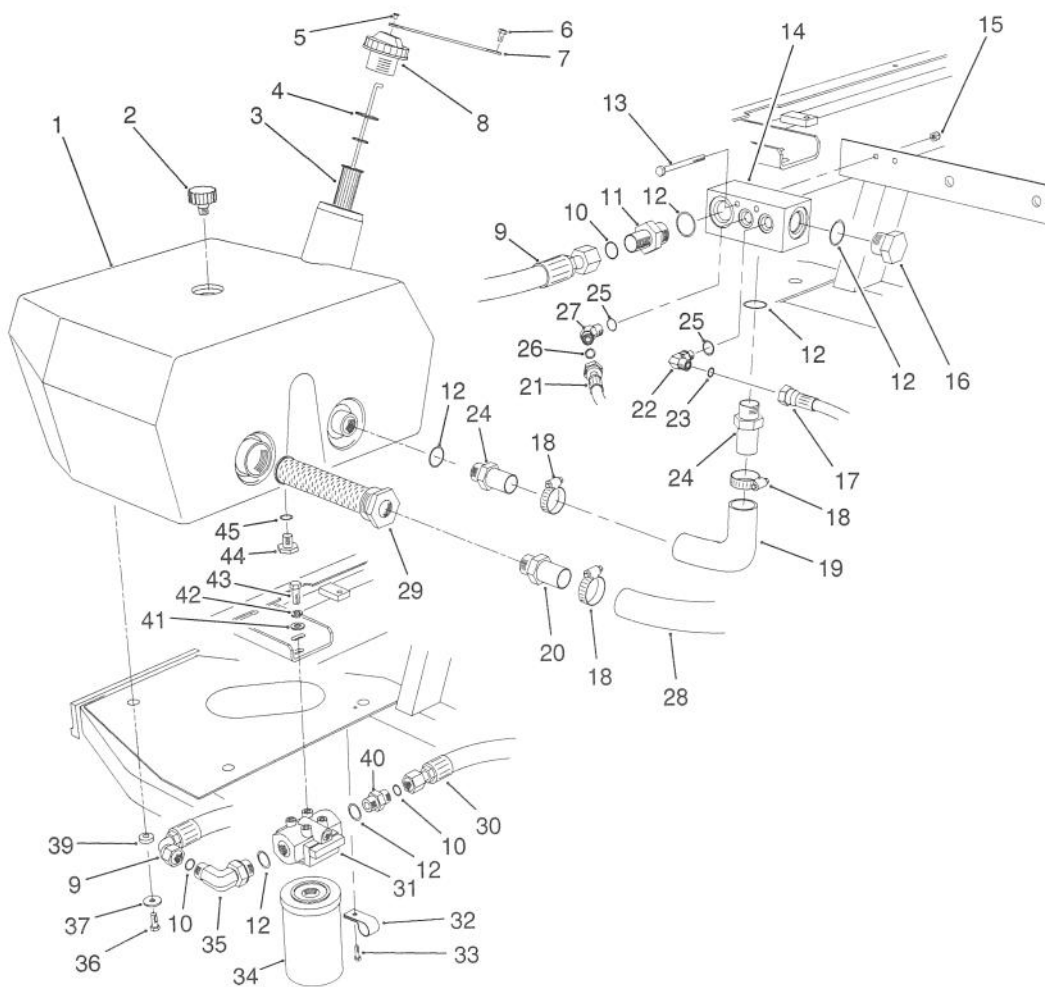
CONTROL CONSOLE ASSEMBLY (Continued)

Ref. No.	Part No.	Description	No. Used	Ref. No.	Part No.	Description	No. Used
40	3290-488	Boot - Lift Control	1	46	32144-18	Screw - Cap Hex. Hd.	2
41	32144-39	Screw - Cap Hex. Hd.	2	47	75-6820	Meter - Hour	1
42	69-4780	Clamp - Hour Meter	1	48	72-3560	Decal - 4 Wheel Drive	1
43	32105-1	Screw - Cap Hex. Hd.	1	*	84-1820	Harness - Wire Main (Incl. Ref. #20-21)	1
45	3273-26	Screw - Hex. Socket Hd.	2				

*Not Illustrated

HYDRAULIC SCHEMATIC

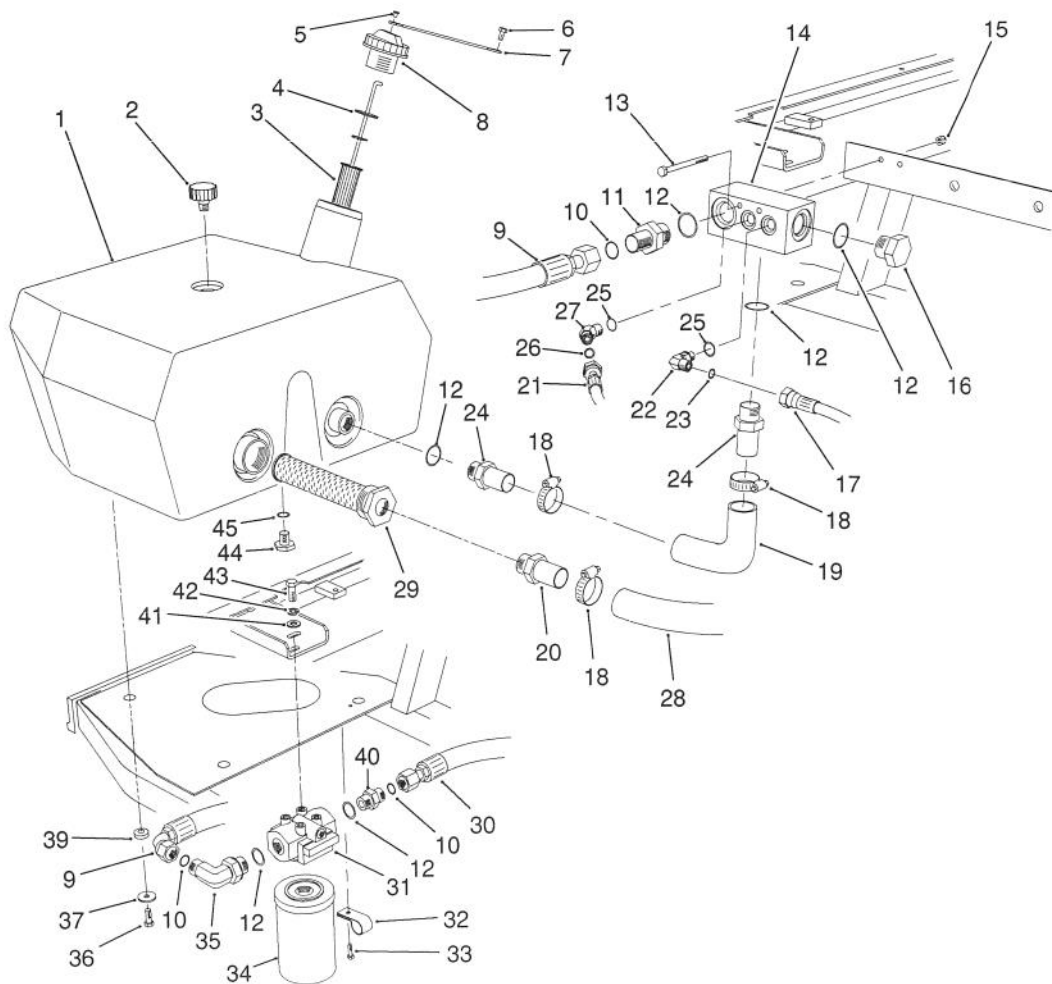




T-1048

HYDRAULIC RESERVOIR ASSEMBLY

Ref. No.	Part No.	Description	No. Used	Ref. No.	Part No.	Description	No. Used
1	75-1170	Reservoir - Hydraulic	1	21	75-6200	Hose - Hydraulic	1
2	68-6150	Breather - Hydraulic Tank	1	22	340-77	Fitting - Hydraulic 90° (Incl. Ref. #23 & 25)	1
3	61-2790	Screen - Filler	1	23	237-22	Seal - O-Ring	3
4	75-3710	Dipstick	1	24	354-73	Fitting - Hydraulic Straight (Incl. Ref. #12)	2
5	2410-73	Retainer - Tether	1	25	237-42	Seal - O-Ring	2
6	321-2	Screw - Cap Hex. Hd.	1	26	237-21	Seal - O-Ring	1
7	75-0540	Tether - Cap	1	27	340-137	Fitting - Hydraulic 45° (Incl. Ref. #25 & 26)	1
8	70-8640	Cap - Hydraulic Reservoir	1	28	75-6870	Hose - Hydraulic Suction	1
9	75-6130	Hose - Hydraulic	1	29	75-0550	Strainer - Suction	1
10	237-65	Seal - O-Ring	5	30	75-6140	Hose - Hydraulic	1
11	340-8	Fitting - Hydraulic Straight (Incl. Ref. #10 & 12)	1	31	63-8280	Head - Hydraulic Filter	1
12	237-81	Seal - O-Ring	4	32	2412-93	Clamp - R	2
13	321-23	Screw - Cap Hex. Hd.	2	33	32144-10	Screw - Hex. Washer Hd.	2
14	75-5480	Manifold - Tank	1	34	75-1310	Element - Hydraulic Filter	1
15	3296-42	Nut - Lock	2	35	340-139	Fitting - Hydraulic 90° (Incl. Ref. #10 & 12)	1
16	354-74	Fitting - Hydraulic Plug (Incl. Ref. #12)	1	36	323-5	Screw - Cap Hex. Hd.	3
17	75-6250	Hose - Hydraulic	1	37	63-8410	Washer - Flat	3
18	2412-34	Clamp - Hose	3	39	240-11	Grommet	3
19	75-5720	Hose - Hydraulic	1				
20	353-682	Fitting - Hydraulic Straight	1				

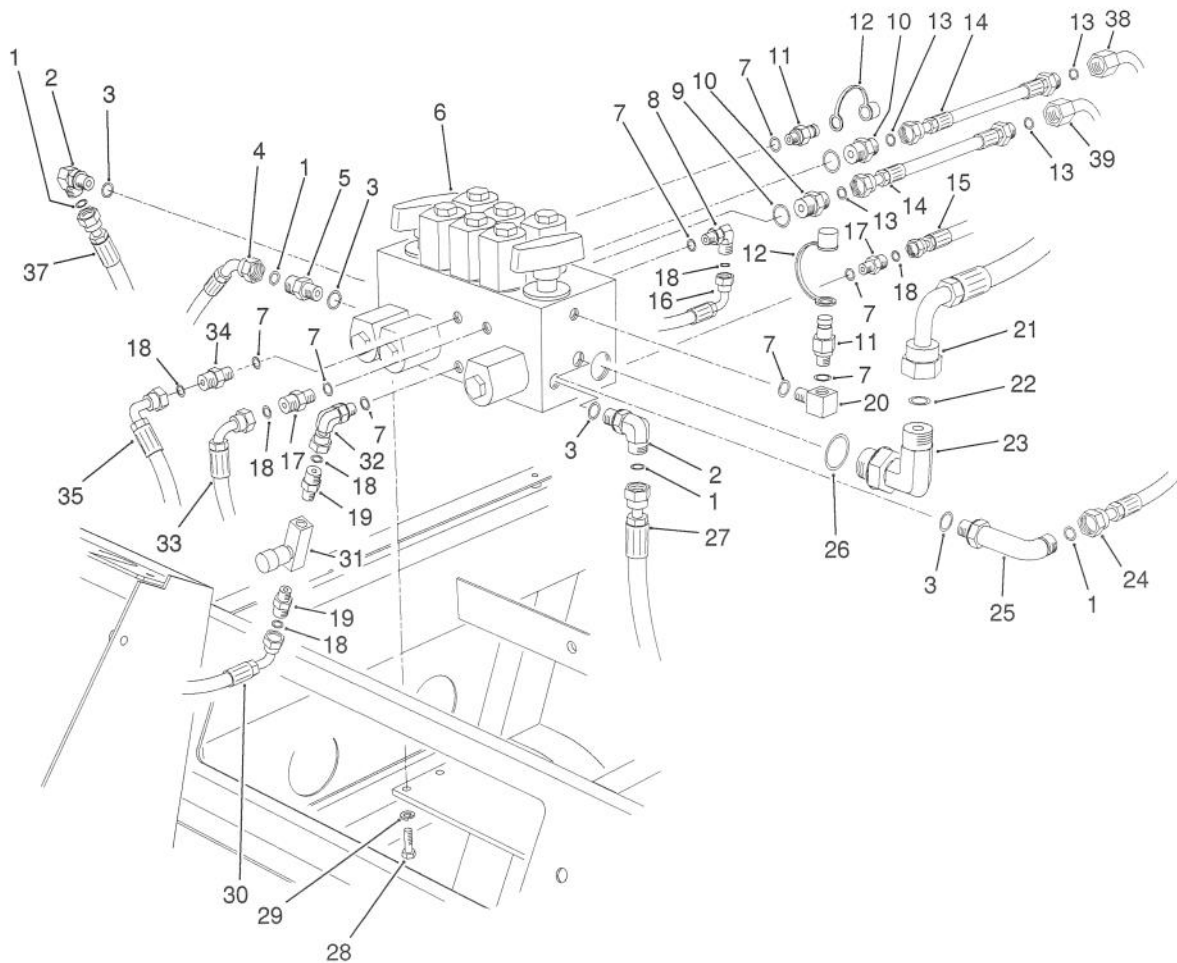


T-1048

HYDRAULIC RESERVOIR ASSEMBLY (Continued)

Ref. No.	Part No.	Description	No. Used
40	340-8	Fitting - Hydraulic Straight (Incl. Ref. #10 & 12)	1
41	3256-24	Washer - Flat	2
42	3253-21	Washer - Lock	2

Ref. No.	Part No.	Description	No. Used
43	323-4	Screw - Cap Hex. Hd.	2
44	353-550	Fitting - Plug (Incl. Ref. #45)	1
45	237-79	Seal - O-Ring	1

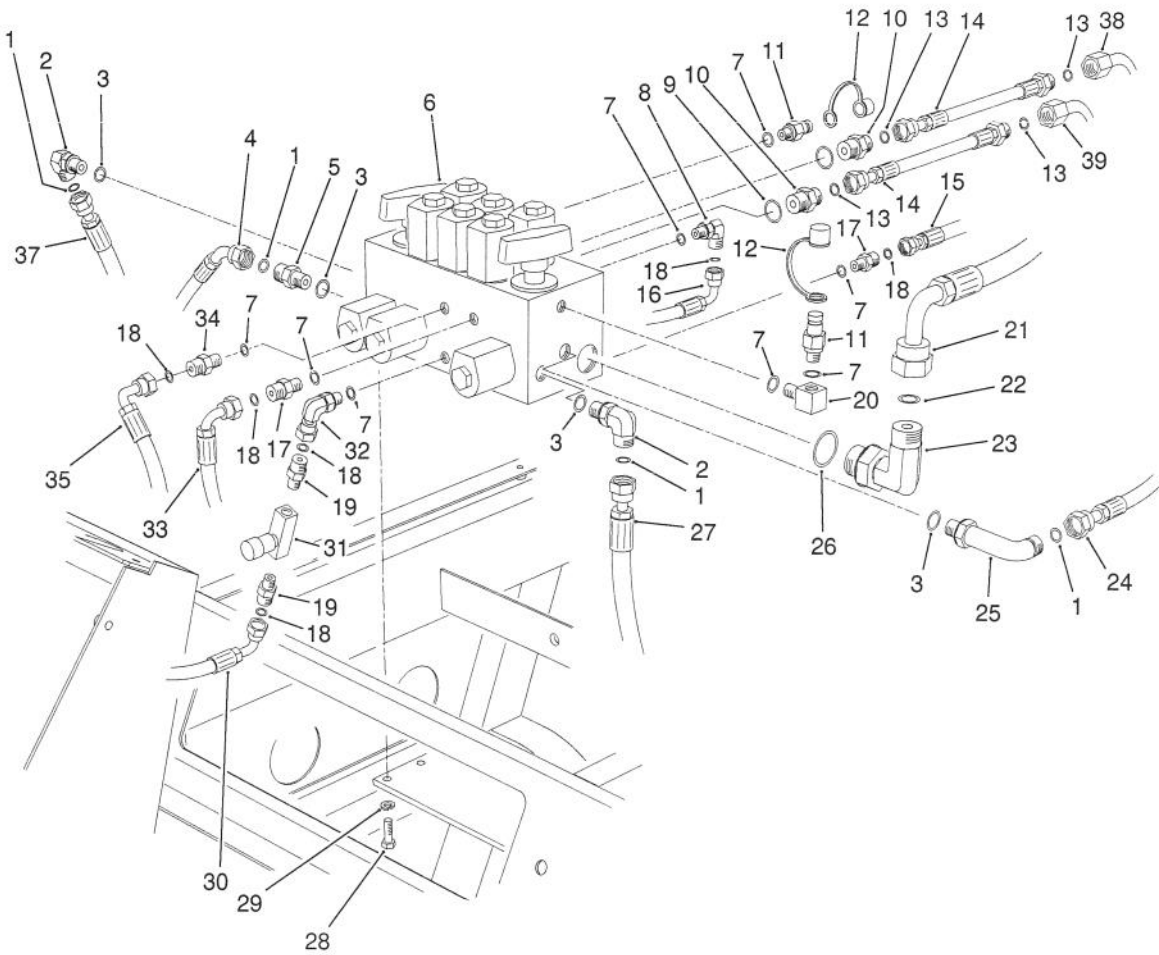


T-1094

HYDRAULIC CONTROL MANIFOLD ASSEMBLY

Ref. No.	Part No.	Description	No. Used
1	237-22	Seal - O-Ring	4
2	340-77	Fitting - Hydraulic 90° (Incl. Ref. #1 & 3)	2
3	237-42	Seal - O-Ring	4
4	75-6000	Hose - Hydraulic	1
5	340-2	Fitting - Hydraulic Straight (Incl. Ref. #1 & 3)	1
6	75-2150	Control Manifold Assembly	1
7	237-78	Seal - O-Ring	7
8	340-132	Fitting - Hydraulic 90° (Incl. Ref. #7 & 18)	1
9	237-79	Seal - O-Ring	2
10	340-4	Fitting - Hydraulic Straight (Incl. Ref. #9 & 13)	2
11	354-77	Fitting - Test Port (Incl. Ref. #7)	2
12	354-79	Cap - Test Port	2
13	237-30	Seal - O-Ring	4
14	75-5230	Hose - Hydraulic	2
15	75-6120	Hose - Hydraulic	1
16	75-5950	Hose - Hydraulic	1
17	340-92	Fitting - Hydraulic Straight (Incl. Ref. #7 & 18)	2
18	237-21	Seal - O-Ring	6

Ref. No.	Part No.	Description	No. Used
19	340-13	Fitting - Hydraulic Straight (Incl. Ref. #18)	2
20	75-6640	Fitting - Hydraulic 90° (Incl. Ref. #7)	1
21	75-6160	Hose - Hydraulic	1
22	237-65	Seal - O-Ring	1
23	340-139	Fitting - Hydraulic 90° (Incl. Ref. #22 & 26)	1
24	75-6050	Hose - Hydraulic	1
25	69-4320	Fitting - Hydraulic 90° (Incl. Ref. #1 & 3)	1
26	237-81	Seal - O-Ring	1
27	75-6040	Hose - Hydraulic	1
28	322-3	Screw - Cap Hex. Hd.	4
29	3253-4	Washer - Lock	4
30	75-5900	Hose - Hydraulic	1
31	82-8270	Valve - Flow Control	1
32	340-143	Fitting - Hydraulic 90° (Incl. Ref. #7)	1
33	75-6060	Hose - Hydraulic	1
34	340-92	Fitting - Hydraulic Straight (Incl. Ref. #7 & 18)	1
35	75-5890	Hose - Hydraulic	1

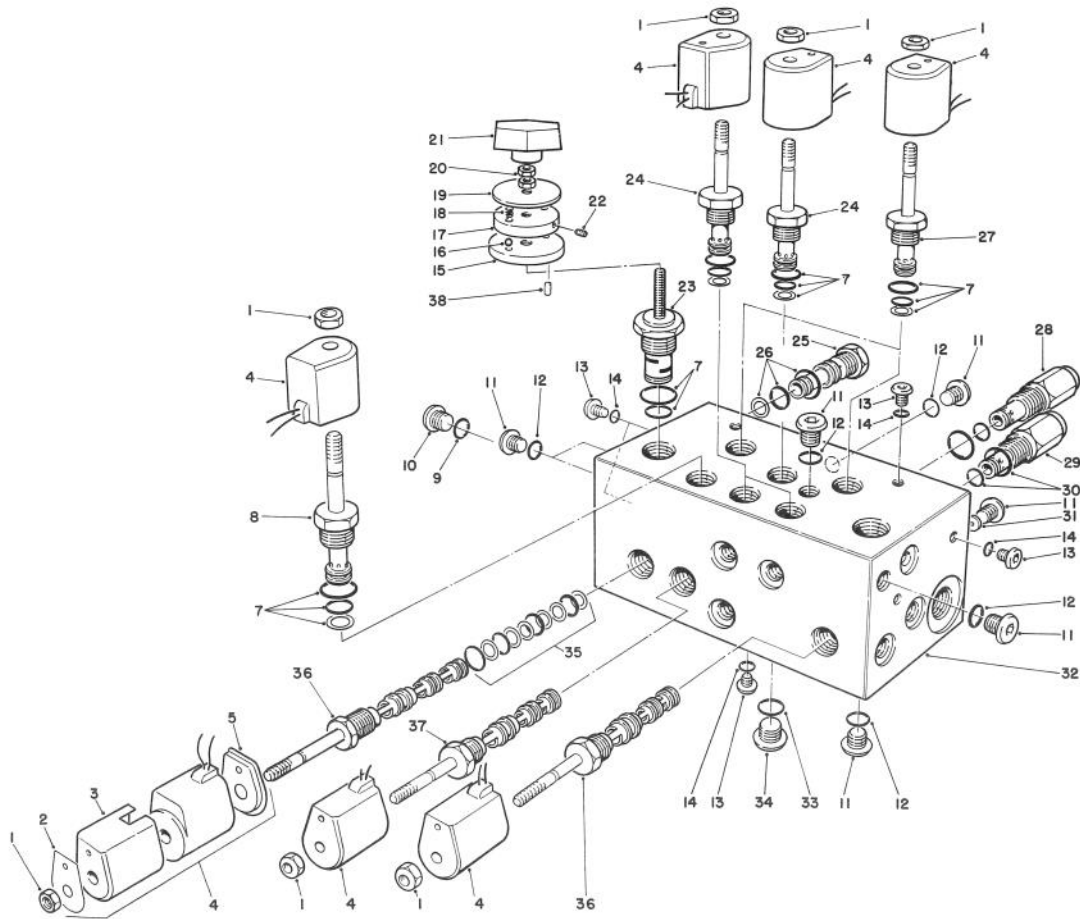


T-1094

HYDRAULIC CONTROL MANIFOLD ASSEMBLY (Continued)

Ref. No.	Part No.	Description	No. Used
37	75-5990	Hose - Hydraulic	1
38	75-5240	Tube - Hydraulic	1

Ref. No.	Part No.	Description	No. Used
39	75-5250	Tube - Hydraulic	1



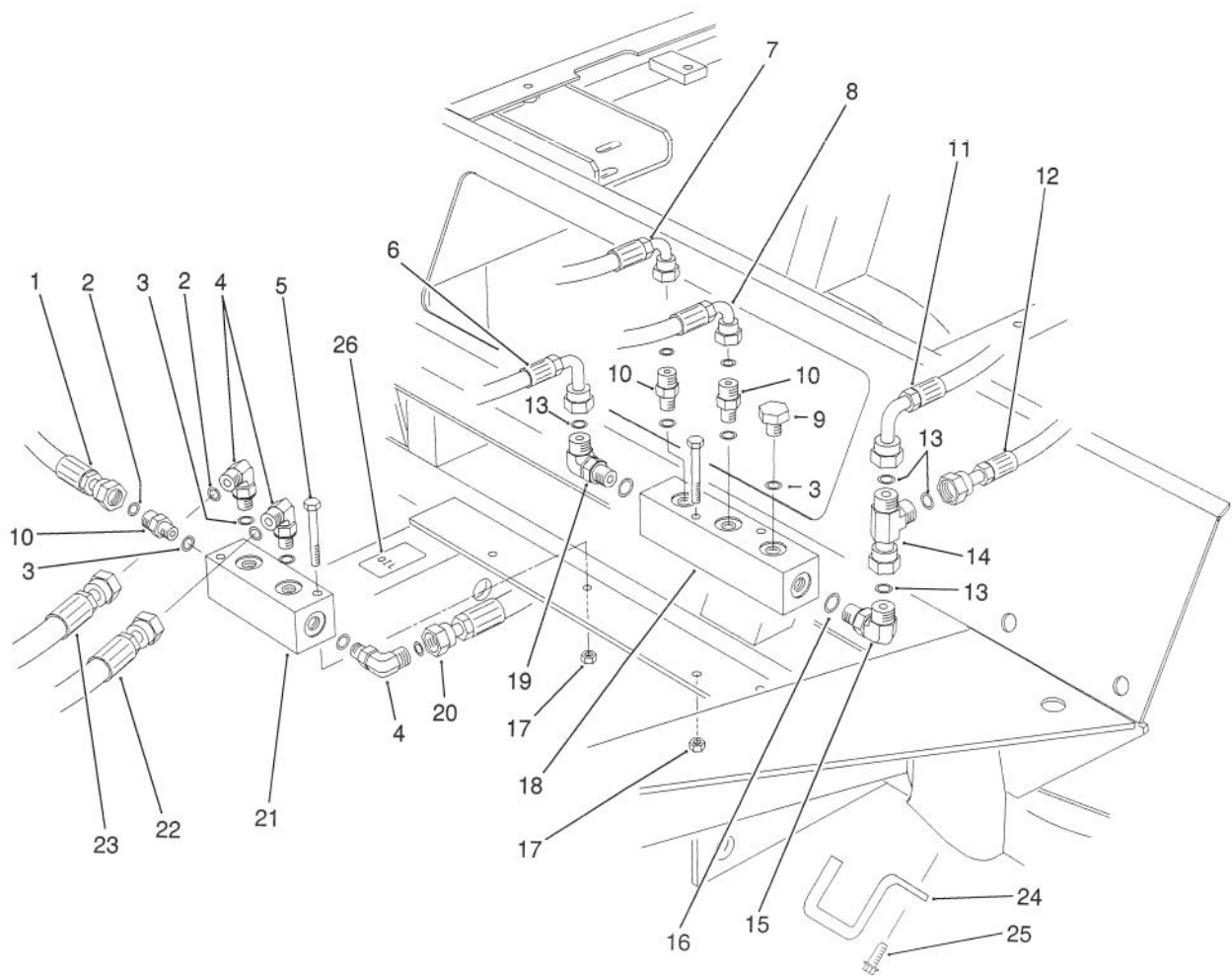
T-1035

CONTROL MANIFOLD ASSEMBLY

Ref. No.	Part No.	Description	No. Used	Ref. No.	Part No.	Description	No. Used
1	69-4300	Nut	9	24	75-2050	Solenoid Assembly N.C. (Incl. Ref. #7)	3
†2		Plate - Name	9	25	69-4120	Cartridge Assembly N.C. (Incl. Ref. #26)	2
†3		Cover - Coil	9	26	69-4240	Seal Kit	2
4	69-4290	Solenoid Coil Assembly (Incl. Ref. #1-5)	9	27	75-2030	Solenoid Assembly N.O. (Incl. Ref. #7)	2
†5		Plate - Coil	9	28	75-0920	Relief Cartridge Assembly 3000 psi (Incl. Ref. 30)	1
7	75-2080	Seal Kit	8	29	75-2010	Relief Cartridge Assembly 2000 psi (Incl. Ref. 30)	1
8	75-2040	Solenoid Assembly N.C. (Incl. Ref. #7)	1	30	69-4230	Seal Kit	2
9	237-80	O-Ring	1	31	75-2070	Plug - Orifice	2
10	354-70	Plug	1	†32		Body - Manifold	1
11	353-990	Plug	10	33	237-42	O-Ring	1
12	237-78	O-Ring	8	34	353-989	Plug	1
13	353-991	Plug	8	35	75-2090	Seal Kit	3
14	237-156	O-Ring	8	36	75-2020	Solenoid Assembly (Incl. Ref. #35)	2
†15		Plate - Locating	2	37	75-6910	Solenoid Assembly (Incl. Ref. #35)	1
†16		Ball - Detent	4	38	84-5280	Pin - Spring	1
†17		Plate - Detent	2	*	82-8520	Detent Assembly Kit (Incl. Ref. #15-22 & 38)	1
†18		Spring - Detent	4				
†19		Plate - Indicator	2				
†20		Nut - Jam	4				
†21		Knob Assembly	2				
†22		Screw - Set	2				
23	75-2060	Rotary Cartridge Assembly (Incl. Ref. #7 & 23)	2				

*Not Illustrated

†Not Serviceable Separately



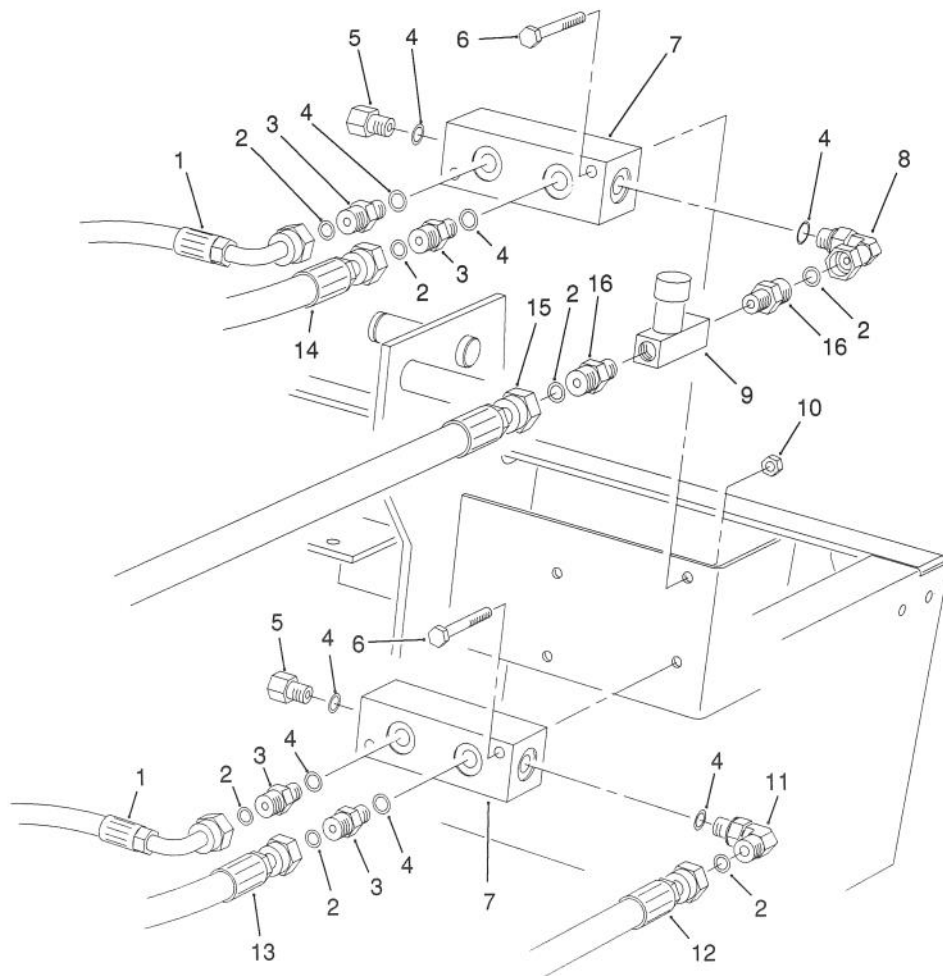
T-1058

FRONT HYDRAULIC MANIFOLDS

Ref. No.	Part No.	Description	No. Used
1	75-5980	Hose - Hydraulic	1
2	237-21	Seal - O-Ring	6
3	237-78	Seal - O-Ring	7
4	340-132	Fitting - Hydraulic 90° (Incl. Ref. #2 & 3)	3
5	321-11	Screw - Cap Hex. Hd.	4
6	75-5940	Hose - Hydraulic	1
7	75-5890	Hose - Hydraulic	1
8	75-5910	Hose - Hydraulic	1
9	355-12	Plug - Hydraulic (Incl. Ref. #3)	1
10	340-92	Fitting - Hydraulic Straight (Incl. Ref. #2 & 3)	3
11	75-6020	Hose - Hydraulic	1
12	75-6200	Hose - Hydraulic	1
13	237-22	Seal - O-Ring	4

Ref. No.	Part No.	Description	No. Used
14	340-151	Fitting - Hydraulic Tee (Incl. Ref. #13)	1
15	340-82	Fitting - Hydraulic 90° (Incl. Ref. #13 & 16)	1
16	237-42	Seal - O-Ring	2
17	3296-42	Nut - Lock	4
18	75-1190	Manifold - Hydraulic	1
19	340-77	Fitting - Hydraulic 90° (Incl. Ref. #13 & 16)	1
20	75-5950	Hose - Hydraulic	1
21	75-1180	Manifold - Hydraulic	1
22	75-5960	Hose - Hydraulic	1
23	75-5970	Hose - Hydraulic	1
24	75-5300	Rod - Hose Support	2
25	49-2040	Screw - Hex. Washer Hd.	4
26	53-4430	Decal - Oil	1

*Not Illustrated

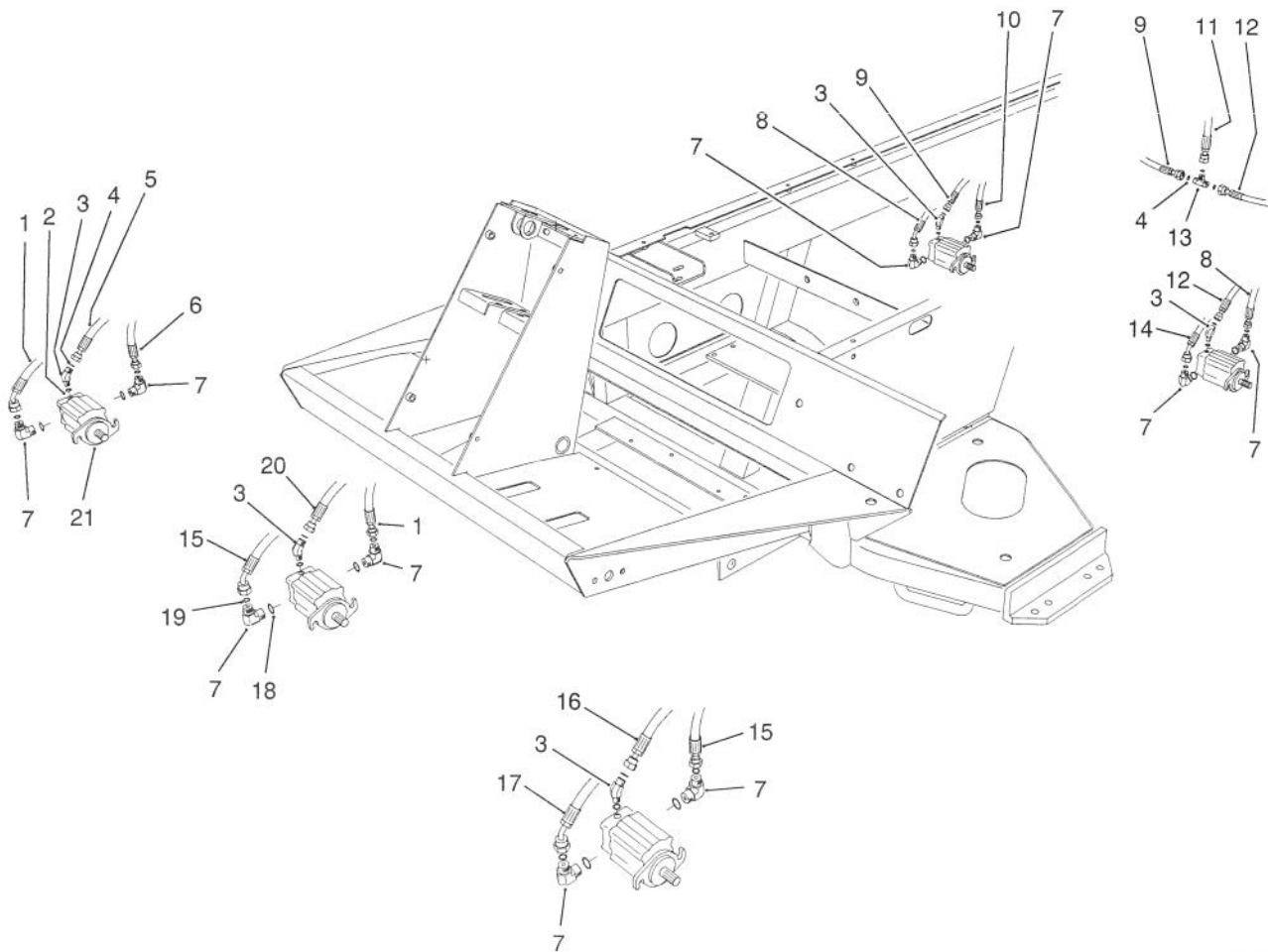


T-1095

REAR HYDRAULIC MANIFOLDS

Ref. No.	Part No.	Description	No. Used
1	75-6180	Hose - Hydraulic	2
2	237-21	Seal - O-Ring	7
3	340-92	Fitting - Hydraulic Straight (Incl. Ref. #2 & 4)	4
4	237-78	Seal - O-Ring	8
5	353-512	Fitting - Hydraulic Plug (Incl. Ref. #4)	2
6	321-11	Screw - Cap Hex. Hd.	4
7	75-1180	Manifold	2
8	340-143	Fitting - Hydraulic 90° (Incl. Ref. #4)	1

Ref. No.	Part No.	Description	No. Used
9	82-8270	Valve - Flow Control	1
10	3296-42	Nut - Lock	4
11	340-132	Fitting - Hydraulic 90° (Incl. Ref. #2 & 4)	1
12	75-6060	Hose - Hydraulic	1
13	75-6080	Hose - Hydraulic	1
14	75-6070	Hose - Hydraulic	1
15	75-6020	Hose - Hydraulic	1
16	340-13	Fitting - Hydraulic Straight (Incl. Ref. #2)	2

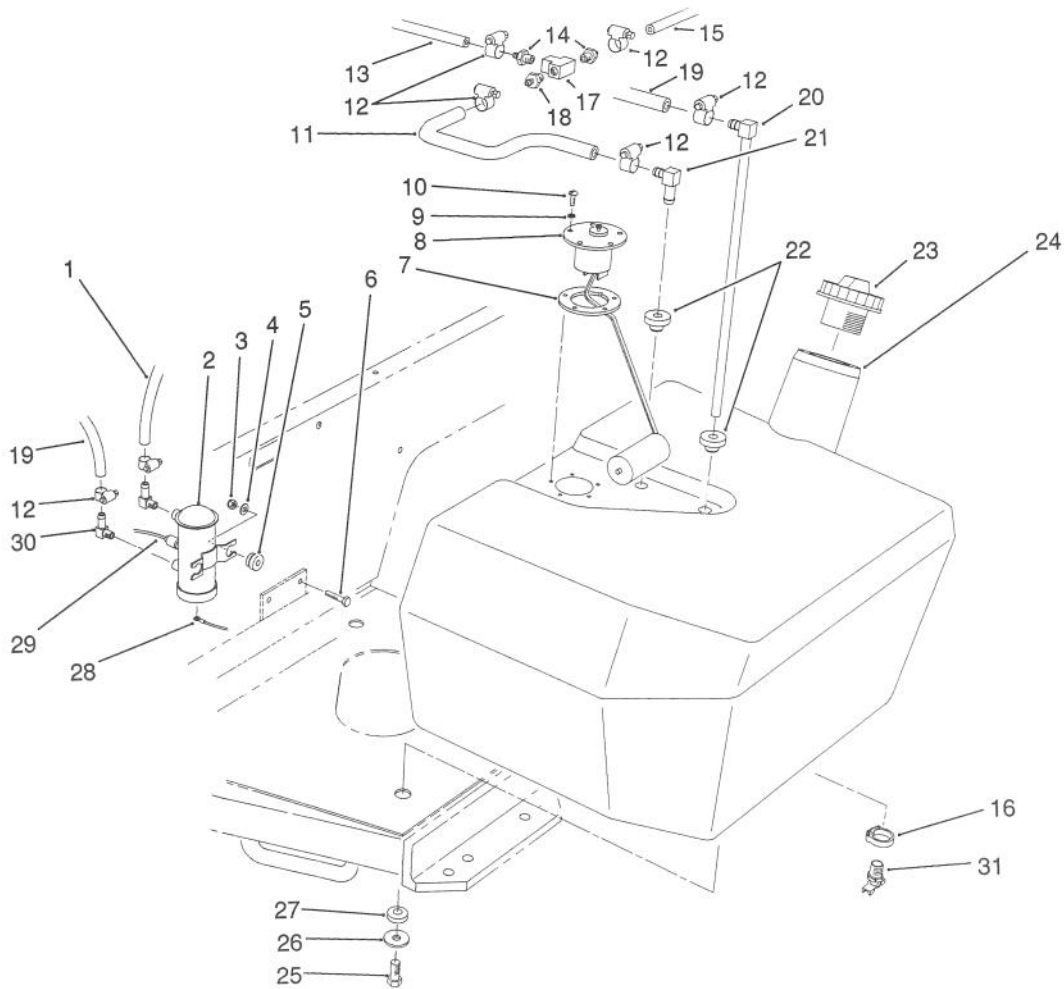


T-1150

CUTTING UNIT HYDRAULIC COMPONENTS

Ref. No.	Part No.	Description	No. Used
1	75-6030	Hose - Hydraulic	1
2	237-78	Seal - O-Ring	5
3	340-103	Fitting - Hydraulic 45° (Incl. Ref. #2 & 4)	5
4	237-21	Seal - O-Ring	8
5	75-5980	Hose - Hydraulic	1
6	75-6000	Hose - Hydraulic	1
7	340-18	Fitting - Hydraulic 90° (Incl. Ref. #18 & 19)	10
8	75-6190	Hose - Hydraulic	1
9	75-6110	Hose - Hydraulic	1
10	75-6040	Hose - Hydraulic	1

Ref. No.	Part No.	Description	No. Used
11	75-6120	Hose - Hydraulic	1
12	75-6100	Hose - Hydraulic	1
13	340-21	Fitting - Hydraulic Tee (Incl. Ref. #4)	1
14	75-6050	Hose - Hydraulic	1
15	75-6010	Hose - Hydraulic	1
16	75-5950	Hose - Hydraulic	1
17	75-5990	Hose - Hydraulic	1
18	237-79	Seal - O-Ring	10
19	237-22	Seal - O-Ring	10
20	75-5960	Hose - Hydraulic	1
21	75-1400	Motor - Hydraulic	5



T-1049

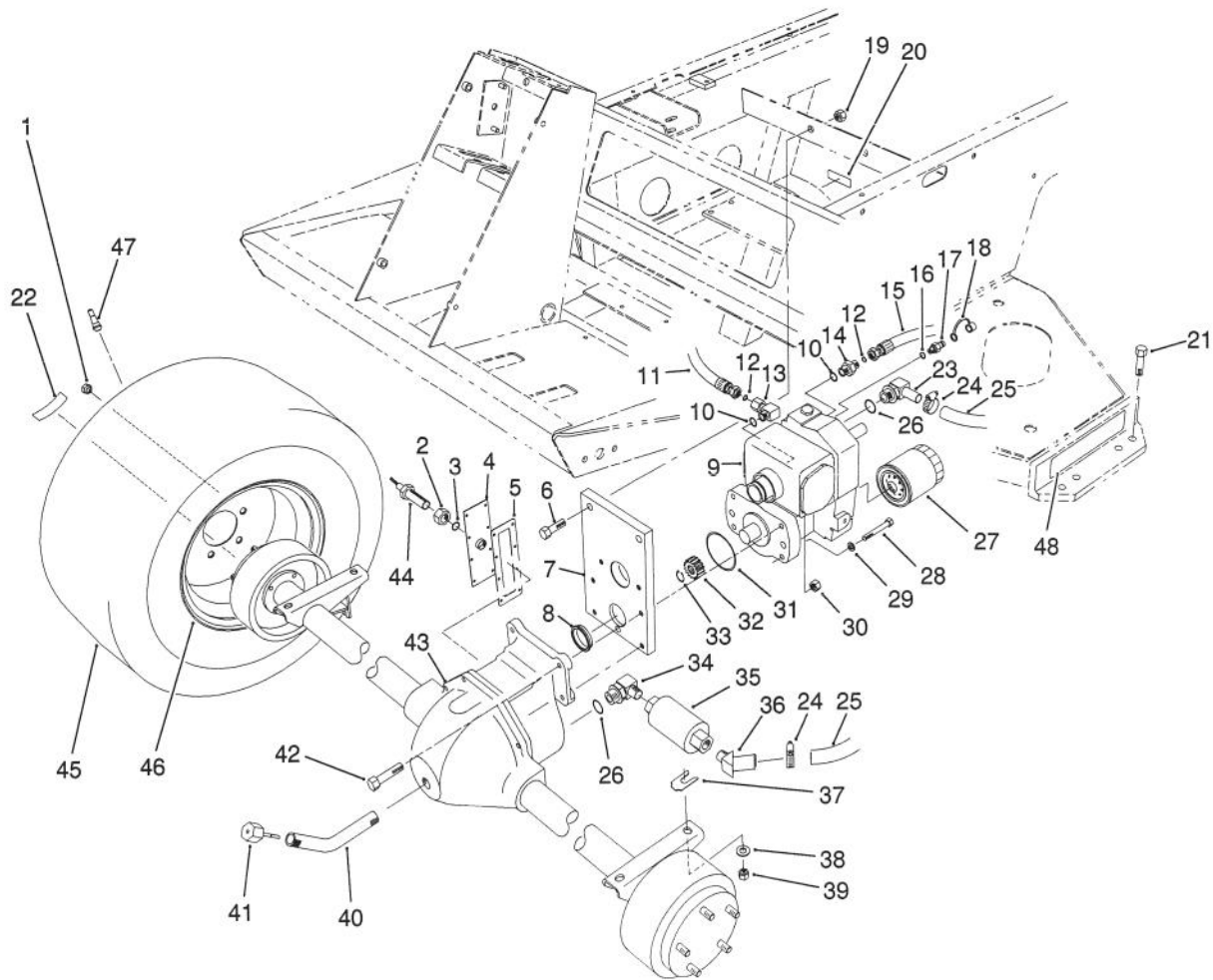
FUEL TANK ASSEMBLY

Ref. No.	Part No.	Description	No. Used
1	63-7610	Hose - Fuel	1
2	70-8460	Fuel Pump Assembly (Incl. Ref. #5 & 28-29)	1
3	3296-42	Nut - Lock	2
4	3256-22	Washer - Flat	2
†5		Mount - Rubber	2
6	321-8	Screw - Cap Hex. Hd.	2
7	62-7650	Gasket - Sending Unit	1
8	63-7640	Unit - Sending	1
9	3253-15	Washer - Lock	5
10	32122-24	Screw - Round Hd.	5
11	27-5340	Hose - Fuel	1
12	2412-108	Clamp - Hose	7
13	75-4700	Hose - Fuel	1
14	354-22	Fitting - Fuel Straight	2
15	75-4701	Hose - Fuel	1
16	2412-36	Clamp - Drain	1

Ref. No.	Part No.	Description	No. Used
17	354-20	Fitting - Fuel Tee	1
18	354-21	Fitting - Fuel Straight	1
19	44-2670	Hose - Fuel	1
20	66-8121	Standpipe - Elbow 90°	1
21	46-6550	Connector - Fuel Elbow 90°	1
22	46-6560	Grommet	2
23	70-8620	Cap - Fuel Tank (Green)	1
*	70-8621	Cap - Fuel Tank (Black)	1
24	75-1080	Tank - Fuel	1
25	323-5	Screw - Cap Hex. Hd.	3
26	63-8410	Washer - Flat	3
27	240-11	Grommet	3
28	70-8530	Wire - Fuel Pump	1
29	218-579	Wire - Fuel Pump	1
30	67-1690	Fitting - Fuel Elbow 90°	2
31	304-46	Fitting - Drain	1

*Not Illustrated

†Not Serviced Separately

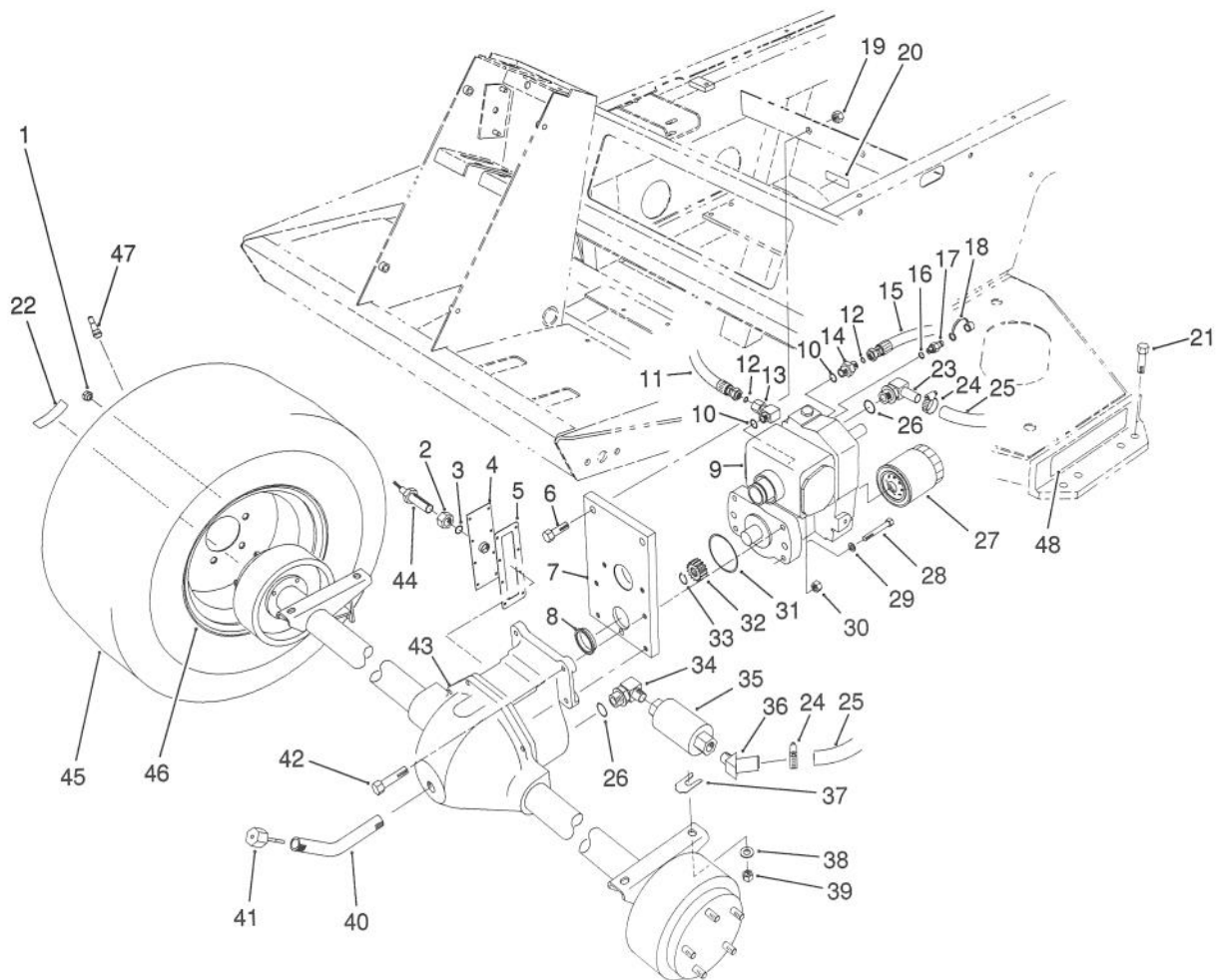


T-1050

FRONT AXLE & TRANSMISSION ASSEMBLY

Ref. No.	Part No.	Description	No. Used	Ref. No.	Part No.	Description	No. Used
1	23-7270	Nut - Lug	10	‡20	77-0490	Decal - Bolt (English)	1
2	3220-7	Nut - Jam	1	21	324-6	Screw - Cap Hex. Hd.	4
3	237-69	Seal - O-Ring	1	22	76-8730	Decal - Bolt Torque	2
4	25-4980	Cover - Gear	1	23	75-4720	Fitting - Hydraulic 90° (Incl. Ref. #26)	1
5	21-7820	Gasket - Cover	1	24	2412-34	Clamp - Hose	2
6	325-7	Screw - Cap Hex. Hd.	2	25	75-6350	Hose	1
7	75-3100	Transmission Support Assy. (Incl. Ref. #8)	1	26	237-81	Seal - O-Ring	2
8	75-3110	Collar - Transmission	1	27	75-1330	Filter - Oil	1
9	75-0011	Transmission Assembly	1	28	323-12	Screw - Cap Hex. Hd.	2
10	237-79	Seal - O-Ring	2	29	3253-21	Washer - Lock	2
11	75-6170	Hose - Hydraulic	1	30	3296-39	Nut - Lock	2
12	237-22	Seal - O-Ring	2	31	237-161	Seal - O-Ring	1
13	340-18	Fitting - Hydraulic 90° (Incl. Ref. #10 & 12)	1	32	23-4810	Gear - Pinion	1
14	340-3	Fitting - Hydraulic Straight (Incl. Ref. #10 & 12)	1	33	32151-62	Ring - Retaining	1
15	75-6150	Hose - Hydraulic	1	34	354-75	Fitting - Hydraulic 90° (Incl. Ref. #26)	1
16	237-78	Seal - O-Ring	1	35	75-6340	Strainer - In-Line	1
17	354-77	Fitting - Hydraulic Test Port (Incl. Ref. #16)	1	36	354-72	Fitting - Hydraulic 45°	1
18	354-79	Cap - Test Port	1	37	42-6080	Shim - Axle	A/R
19	3296-23	Nut - Lock	2	38	3256-25	Washer - Flat	4
				39	3296-48	Nut - Lock	4
				40	75-6850	Tube - Oil Fill	1

‡For different language versions of this part, see International Decal Cross Reference.

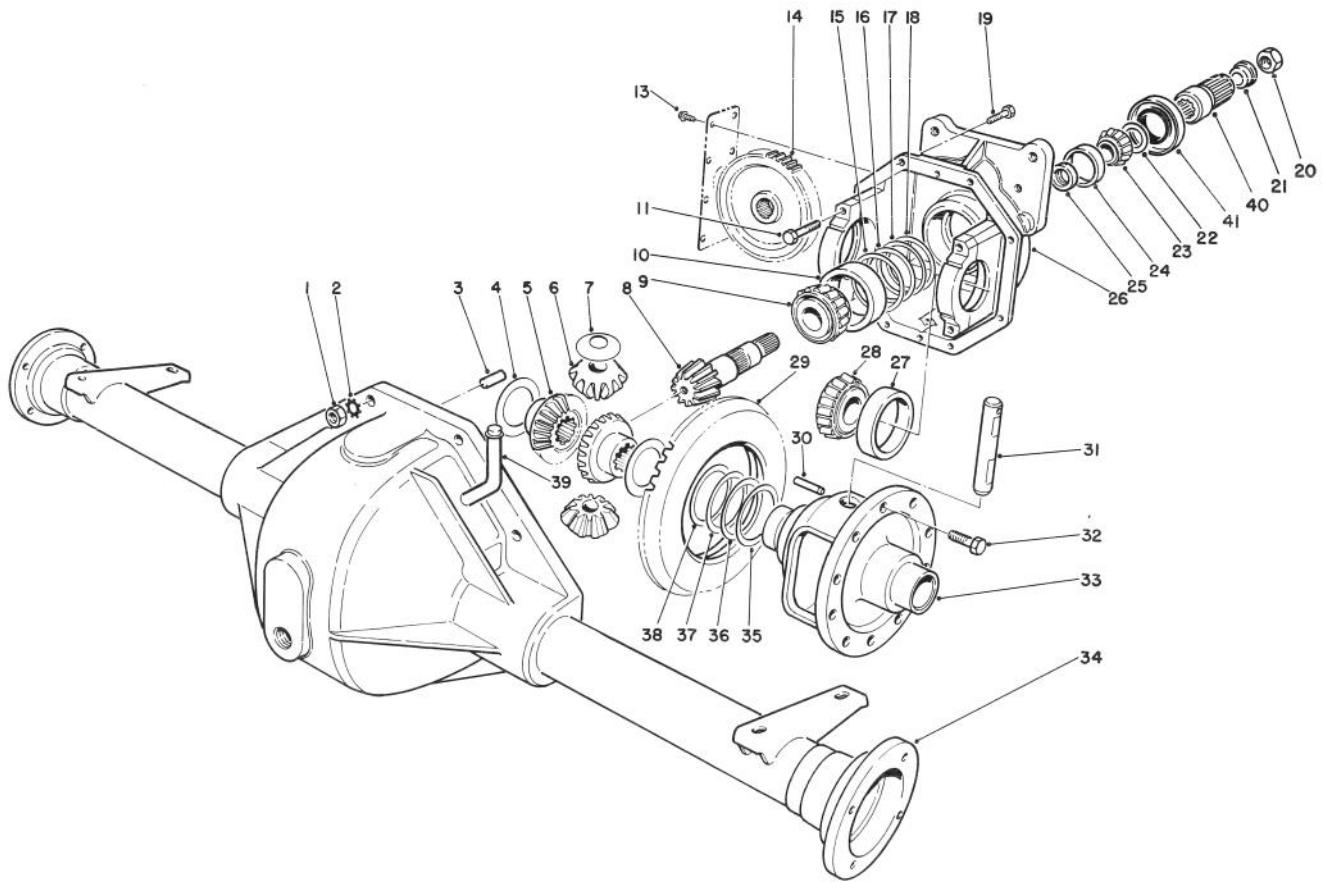


T-1050

FRONT AXLE & TRANSMISSION ASSEMBLY (Continued)

Ref. No.	Part No.	Description	No. Used	Ref. No.	Part No.	Description	No. Used
41	27-3710	Dipstick - Axle	1	45	231-134	Tire	2
42	323-20	Screw - Cap Hex. Hd.	2	46	217-120	Rim	2
43	75-0711	Front Axle Assembly	1	47	232-27	Stem - Valve	2
44	75-6700	Sensor - Magnetic	1	‡48	75-0810	Decal - Caution (English)	2

‡For different language versions of this part, see International Decal Cross Reference.



T-1315

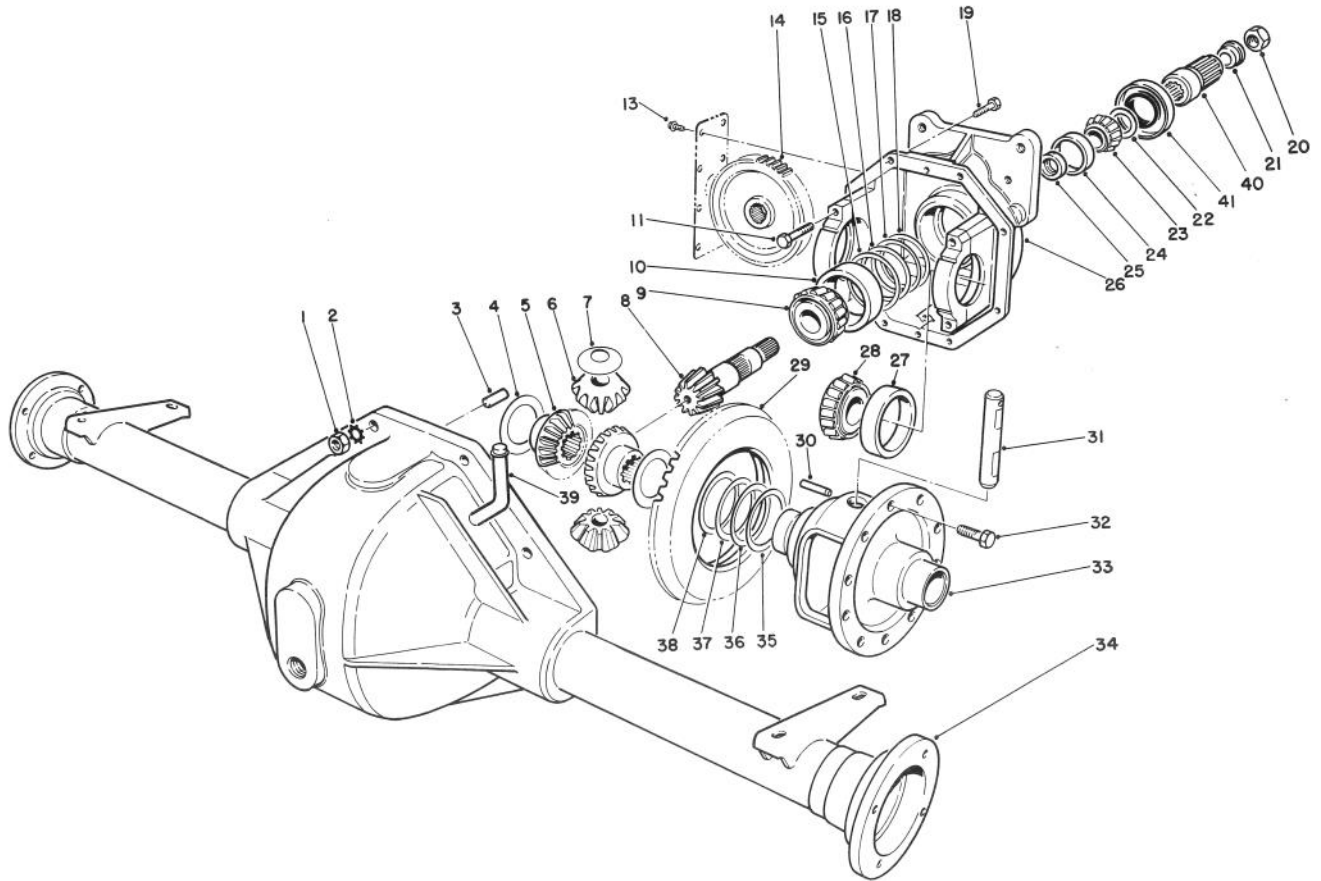
FRONT AXLE ASSEMBLY NO. 75-0711

Ref. No.	Part No.	Description	No. Used
1	3219-2	Nut	8
2	3255-8	Washer-Lock	8
3	21-8270	Pin-Dowel	2
4	21-7720	Washer-Thrust	2
5	24-8790	Gear-Bevel, Differential	2
6	21-7690	Gear-Pinion	2
7	21-7730	Washer-Thrust	2
†8		Pinion-Drive	1
9	43-6760	Cone-Bearing, tapered	1
10	43-6750	Cup-Bearing, Tapered	1
11	324-23	Screw-Cap, Hex Hd.	4
13	12-5450	Screw-Thread Forming	8
14	21-8150	Gear-Spur	1
15	43-6710	Diff. Adjust. Shim .003	A/R
16	43-6711	Diff. Adjust. Shim .005	A/R
17	43-6712	Diff. Adjust. Shim .010	A/R
18	43-6713	Diff. Adjust. Shim .030	A/R
19	3210-7	Screw-Cap, Hex Hd.	8
20	71-4350	Nut	1
21	83-5130	Spacer - Pinion	1
22	72-3570	Shim .094 - Diff. Adjust.	A/R
*	72-3571	Shim .096 - Diff. Adjust.	A/R
*	72-3572	Shim .098 - Diff. Adjust.	A/R

Ref. No.	Part No.	Description	No. Used
22	72-3573	Shim .100 - Diff. Adjust.	A/R
*	72-3574	Shim .102 - Diff. Adjust.	A/R
*	72-3575	Shim .104 - Diff. Adjust.	A/R
*	72-3576	Shim .106 - Diff. Adjust.	A/R
*	72-3577	Shim .108 - Diff. Adjust.	A/R
*	72-3578	Shim .110 - Diff. Adjust.	A/R
*	72-3580	Shim .112 - Diff. Adjust.	A/R
*	72-3581	Shim .114 - Diff. Adjust.	A/R
*	72-3582	Shim .116 - Diff. Adjust.	A/R
*	72-3583	Shim .118 - Diff. Adjust.	A/R
*	72-3584	Shim .120 - Diff. Adjust.	A/R
*	72-3585	Shim .125 - Diff. Adjust.	A/R
*	72-3586	Shim .127 - Diff. Adjust.	A/R
*	72-3587	Shim .129 - Diff. Adjust.	A/R
*	72-3588	Shim .131 - Diff. Adjust.	A/R
*	72-3590	Shim .133 - Diff. Adjust.	A/R
*	72-3591	Shim .135 - Diff. Adjust.	A/R
*	72-3592	Shim .137 - Diff. Adjust.	A/R
*	72-3593	Shim .139 - Diff. Adjust.	A/R
*	72-3594	Shim .141 - Diff. Adjust.	A/R
*	72-3595	Shim .143 - Diff. Adjust.	A/R
*	72-3596	Shim .145 - Diff. Adjust.	A/R
*	72-3597	Shim .147 - Diff. Adjust.	A/R

*Not Illustrated

†Not Serviced Separately



T-1315

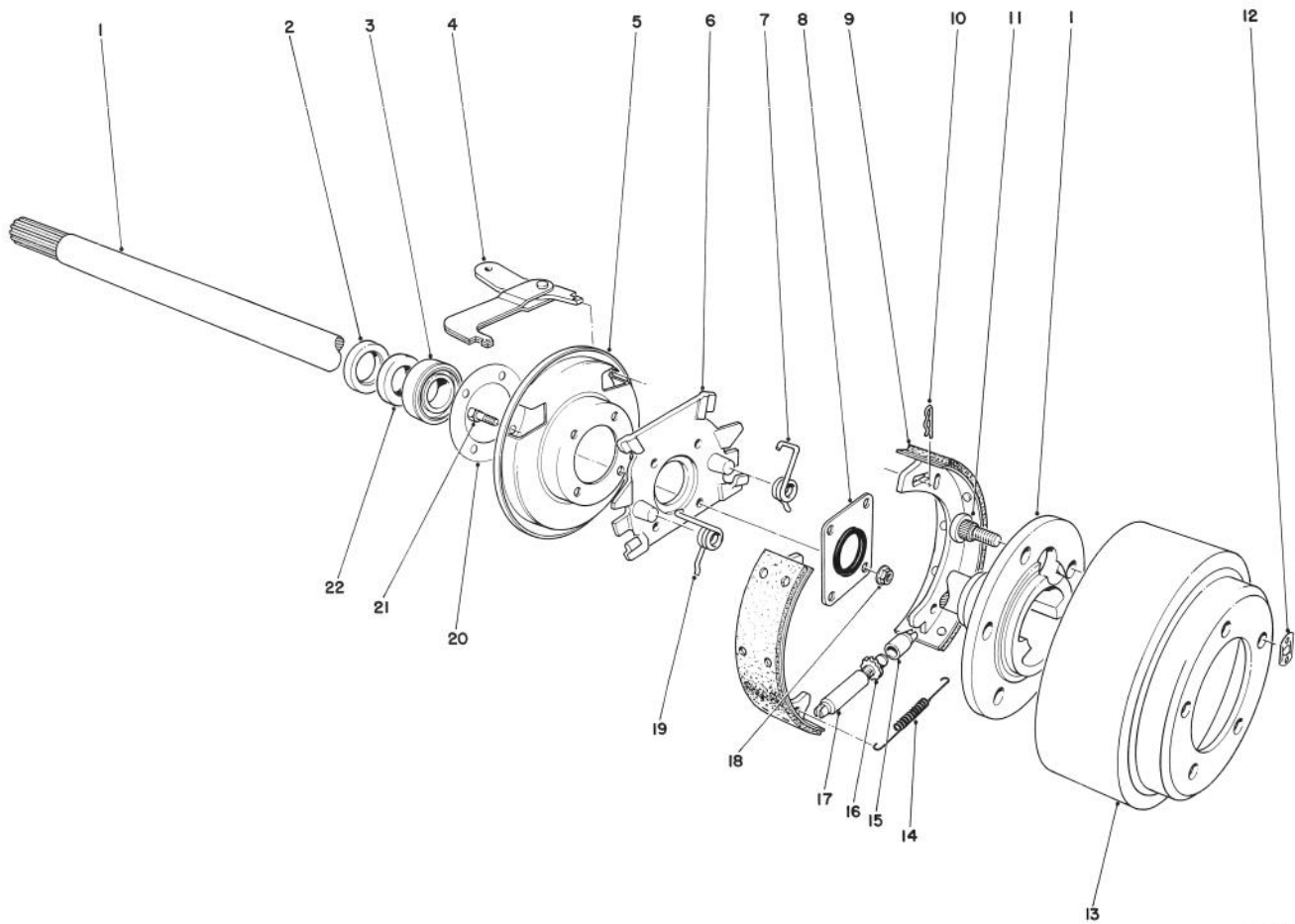
FRONT AXLE ASSEMBLY NO. 75-0711 (Continued)

Ref. No.	Part No.	Description	No. Used
22	72-3598	Shim .149 - Diff. Adjust.	A/R
*	72-3600	Shim .151 - Diff. Adjust.	A/R
23	254-91	Cone-Bearing	1
24	21-8390	Cup-Bearing	1
25	21-8020	Spacer-Front Pinion	1
26	70-2760	Upper Housing (Incl. Ref. #11)	1
27	254-66	Cup-Tapered Bearing	2
28	254-65	Cone-Tapered Bearing	2
†29		Gear-Ring	1
30	21-7710	Pin-Roll	1
31	21-7700	Shaft-Pinion Mate	1
32	21-7770	Screw-Drive Gear	5
33	21-7670	Case-Differential	1

Ref. No.	Part No.	Description	No. Used
34	75-0720	Housing-Lower	1
35	21-8120	Diff. Adjust. Shim .030	A/R
36	21-8110	Diff. Adjust. Shim .010	A/R
37	21-8100	Diff. Adjust. Shim .005	A/R
38	21-8090	Diff. Adjust. Shim .003	A/R
39	21-8230	Vent Tube Assembly	1
40	83-4910	Coupler - Pinion	1
41	71-4330	Seal	1
*	24-8780	Differential Case Assembly (Incl. Ref. #4-7, 30, 31 & 33)	1
*	72-3620	Gear & Pinion Assembly (Incl. Ref. #8 & 29)	1

*Not Illustrated

†Not Serviced Separately



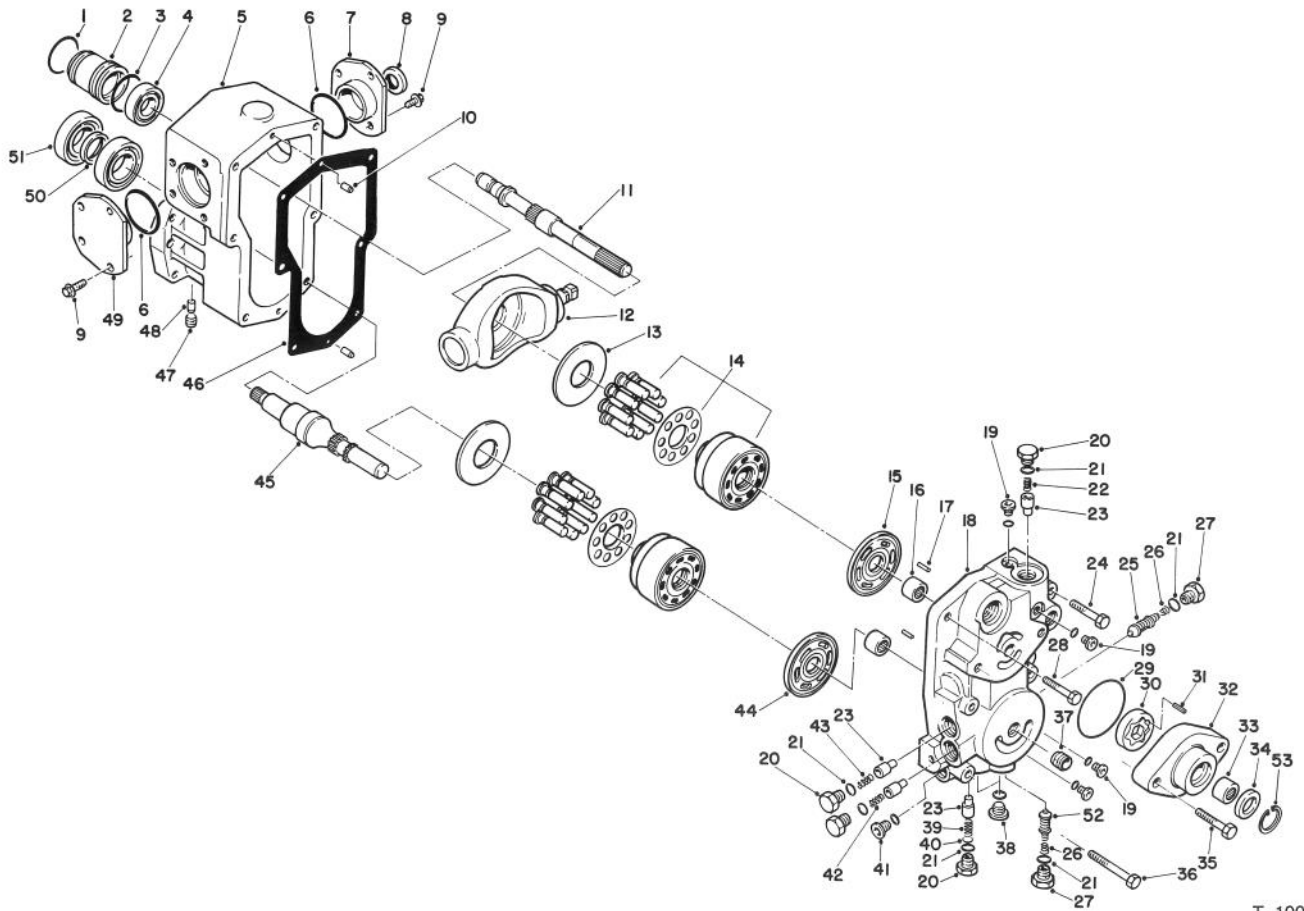
T-0421

BRAKE ASSEMBLY

Ref. No.	Part No.	Description	No. Used
1	27-6862	Shaft-Axle, Flanged L.H.	1
*	27-6852	Shaft-Axle, Flanged R.H.	1
2	21-8330	Seal-Oil	2
3	21-8180	Bearing	2
4	24-9180	Lever, Brake, Parking	2
5	21-9450	Shield-Dust	2
6	43-6810	Spider-Torque	2
7	21-9430	Spring-Shoe Return, R.H.	2
8	28-0670	Seal-Oil	2
9	43-2690	Shoe & Lining Assembly	4
10	21-9460	Retainer-Brake, Parking	4
11	242-34	Stud-Flange, Axle	10

Ref. No.	Part No.	Description	No. Used
12	21-8360	Clip-Retaining	2
13	28-0680	Drum-Brake	2
14	21-9440	Spring-Adjusting Screw	2
15	21-9390	Socket-Adjusting Screw	2
16	21-9370	Screw-Adjusting	2
17	21-9380	Nut-Pivot	2
18	43-6800	Nut-Lock	8
19	21-9420	Spring-Shoe Return, L.H.	2
20	21-8320	Gasket-Bearing, Wheel	2
21	28-0660	Screw-Cap, Hex Hd.	8
22	24-8840	Ring-Bearing, Wheel	2
*	43-2690	Pair of Lined Brake Shoes	2

*Not Illustrated



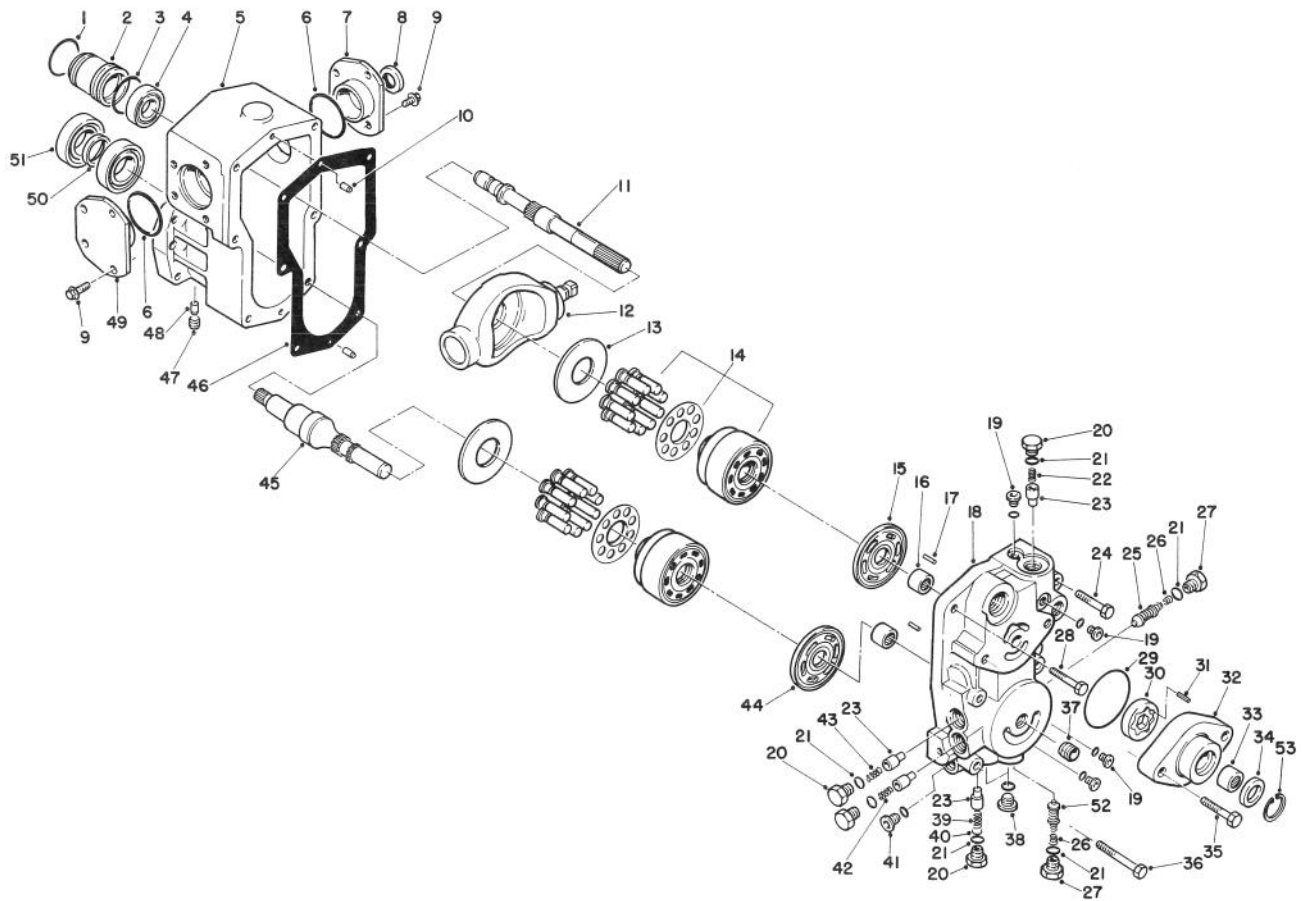
T-1006

TRANSMISSION ASSEMBLY NO. 75-0011

Ref. No.	Part No.	Description	No. Used
1	75-0430	Ring - Retaining	1
2	75-0150	Guide - Seal	1
3	75-0410	O-Ring	1
4	75-0520	Bearing - Ball	1
5	75-0020	Housing	1
6	75-0210	O-Ring	2
7	75-0080	Trunion	1
8	75-0230	Seal - Lip	1
9	75-0090	Screw - Cap Hex Hd.	8
10	75-0480	Pin	2
11	75-0420	Shaft - Pump	1
12	75-0390	Plate - Swash	1
13	75-0400	Plate - Thrust	2
14	75-0470	Cylinder Block Kit	2
15	75-0380	Plate - Valve	1
16	75-0500	Bearing - Needle	2
17	75-0510	Pin	2
18	75-0040	Center Section	1
19	75-0170	Plug - Straight Thread	4
20	75-0060	Plug	4
21	75-0240	O-Ring	6
22	75-0250	Spring	1
23	75-0260	Valve - Relief	4

Ref. No.	Part No.	Description	No. Used
24	75-0130	Screw - Cap Hex Hd.	3
25	83-4890	Valve - SCR	1
26	75-0140	Spring - Conical	1
27	75-0190	Plug - Special	2
28	75-0120	Screw - Cap Hex Hd.	1
29	75-0370	O-Ring	1
30	75-0360	Gerotor	1
31	75-0350	Pin	1
32	83-4780	Housing - Charge Pump	1
33	75-0340	Bearing - Needle	1
34	75-0330	Seal - Lip	1
35	75-0110	Screw - Cap Hex Hd.	2
36	75-0180	Screw - Cap Hex Hd.	2
37	75-0320	Nipple	1
38	75-0200	Plug - Straight Thread	2
39	75-0270	Spring	1
40	75-0310	Shim	1
41	75-0070	Plug	1
42	75-0280	Spring	1
43	75-0290	Spring	1
44	75-0490	Plate - Valve	1
45	75-0440	Shaft - Motor	1
46	75-0030	Gasket - Housing	1

*Not Illustrated



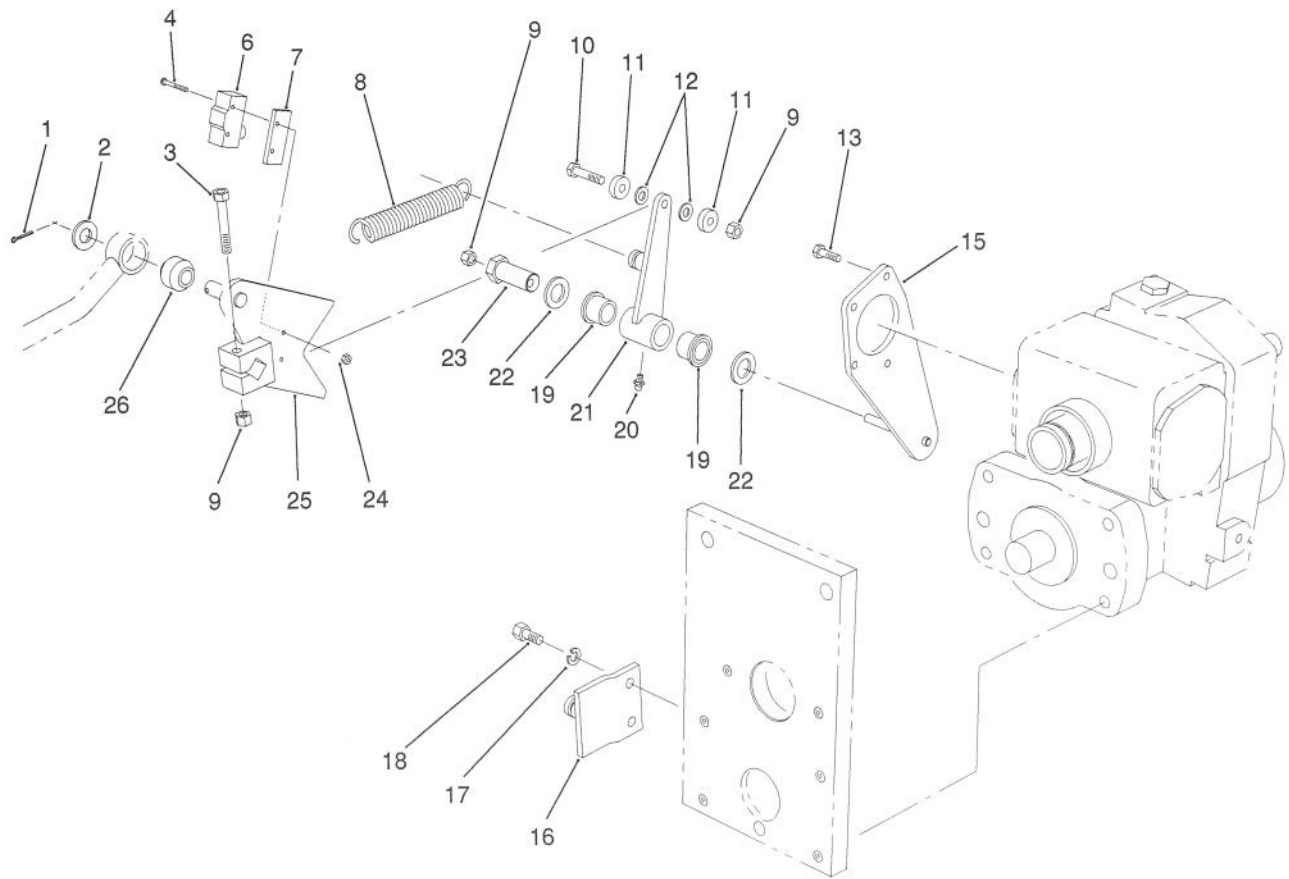
T-1006

TRANSMISSION ASSEMBLY NO. 75-0011 (Continued)

Ref. No.	Part No.	Description	No. Used
47	75-0160	Plug - Pipe	1
48	75-0220	Pin	2
49	75-0100	Trunion	1
50	75-0450	Collar	1

Ref. No.	Part No.	Description	No. Used
51	75-0460	Bearing - Ball	2
52	75-6930	Valve - SCR	1
53	32120-74	Ring - Retaining	1

*Not Illustrated

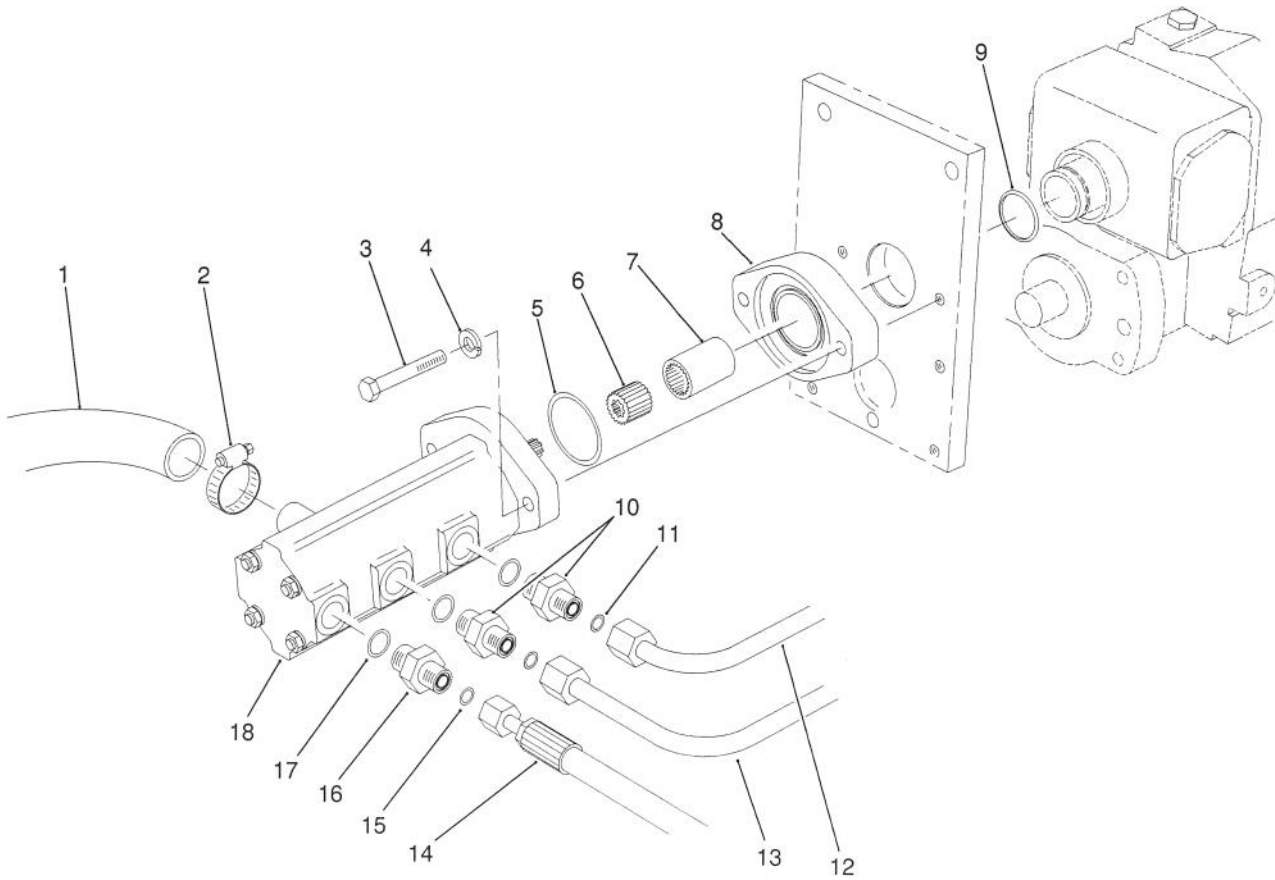


T-1051

TRACTION CONTROL ASSEMBLY

Ref. No.	Part No.	Description	No. Used
1	3272-10	Pin - Cotter	1
2	3256-26	Washer - Flat	1
3	322-10	Screw - Cap Hex. Hd.	1
4	32105-21	Screw	2
6	29-6162	Switch - Neutral	1
7	75-4130	Plate - Switch	1
8	76-9430	Spring - Extension	1
9	3296-29	Nut - Lock	3
10	322-7	Screw - Cap Hex. Hd.	1
11	251-259	Bearing - Ball	2
12	75-5470	Spacer	2
13	32144-22	Screw - Cap Hex. Hd.	4
15	75-4080	Plate - Traction	1

Ref. No.	Part No.	Description	No. Used
16	75-4140	Bracket - Spring	1
17	3253-4	Washer - Lock	2
18	322-3	Screw - Cap Hex. Hd.	2
19	256-113	Bushing - Flange	2
20	302-5	Fitting - Grease	1
21	75-4090	Switch Arm Assembly (Incl. Ref. #19 & 20)	1
22	3-6498	Washer - Thrust	2
23	76-8640	Stud - Traction	1
24	3296-9	Nut - Hex.	2
25	75-4100	Control - Pump	1
26	23-2270	Bushing - Rubber	1

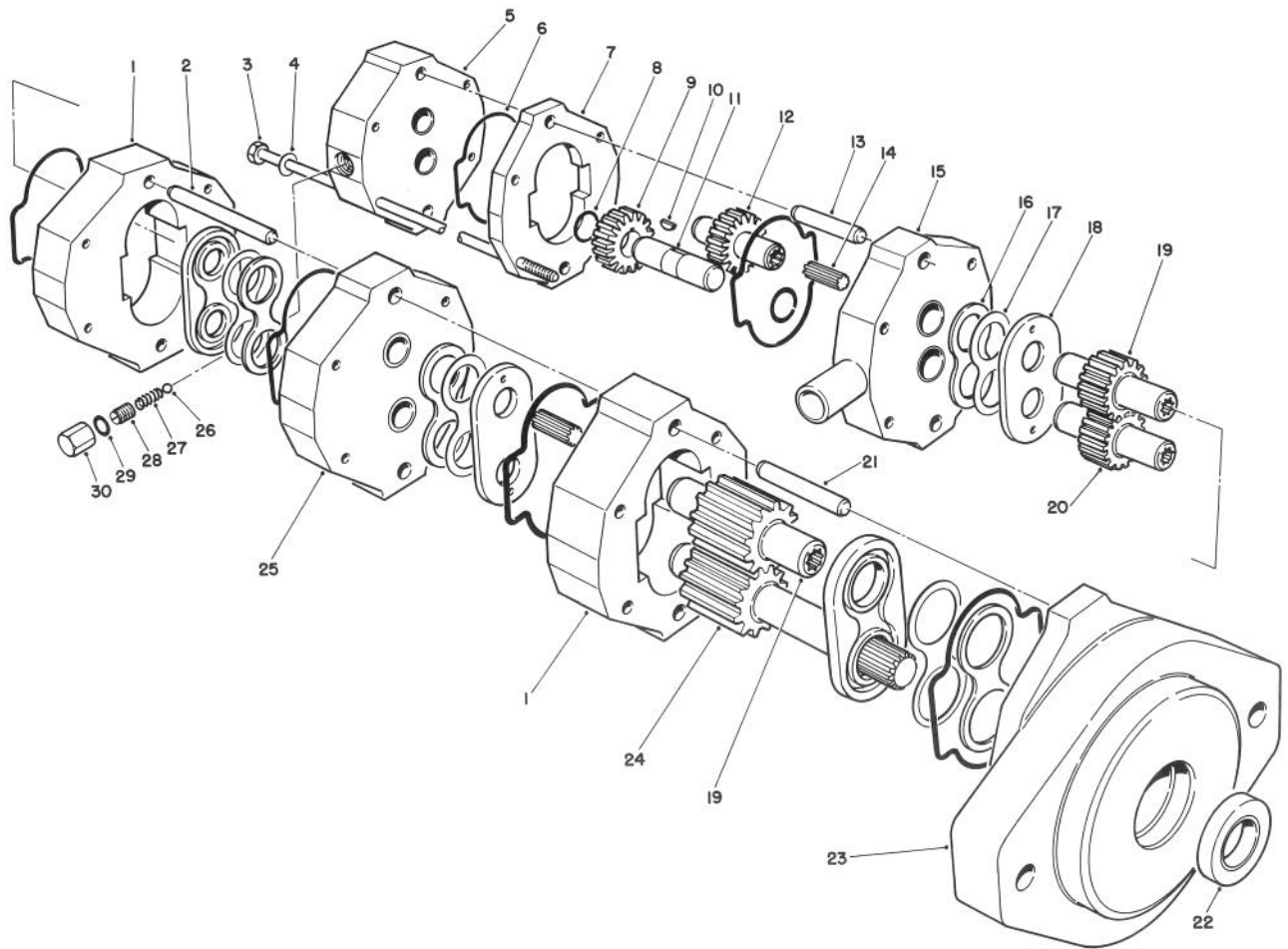


T-1052

GEAR PUMP INSTALLATION ASSEMBLY

Ref. No.	Part No.	Description	No. Used
1	75-6870	Hose - Suction	1
2	2412-34	Clamp - Hose	1
3	323-12	Screw - Cap Hex. Hd.	2
4	3253-5	Washer - Lock	2
5	237-162	Seal - O-Ring	1
6	75-2190	Sleeve - Pump	1
7	75-2430	Coupling - Transmission	1
8	75-4400	Adaptor - Transmission	1
9	237-163	Seal - O-Ring	1
10	340-4	Fitting - Hydraulic Straight (Incl. Ref. #11 & 17)	2

Ref. No.	Part No.	Description	No. Used
11	237-30	Seal - O-Ring	2
12	75-5240	Tube - Hydraulic	1
13	75-5250	Tube - Hydraulic	1
14	75-6240	Hose - Hydraulic	1
15	237-22	Seal - O-Ring	1
16	340-3	Fitting - Hydraulic Straight (Incl. Ref. #15 & 17)	1
17	237-79	Seal - O-Ring	3
18	75-0800	Gear Pump Assembly	1

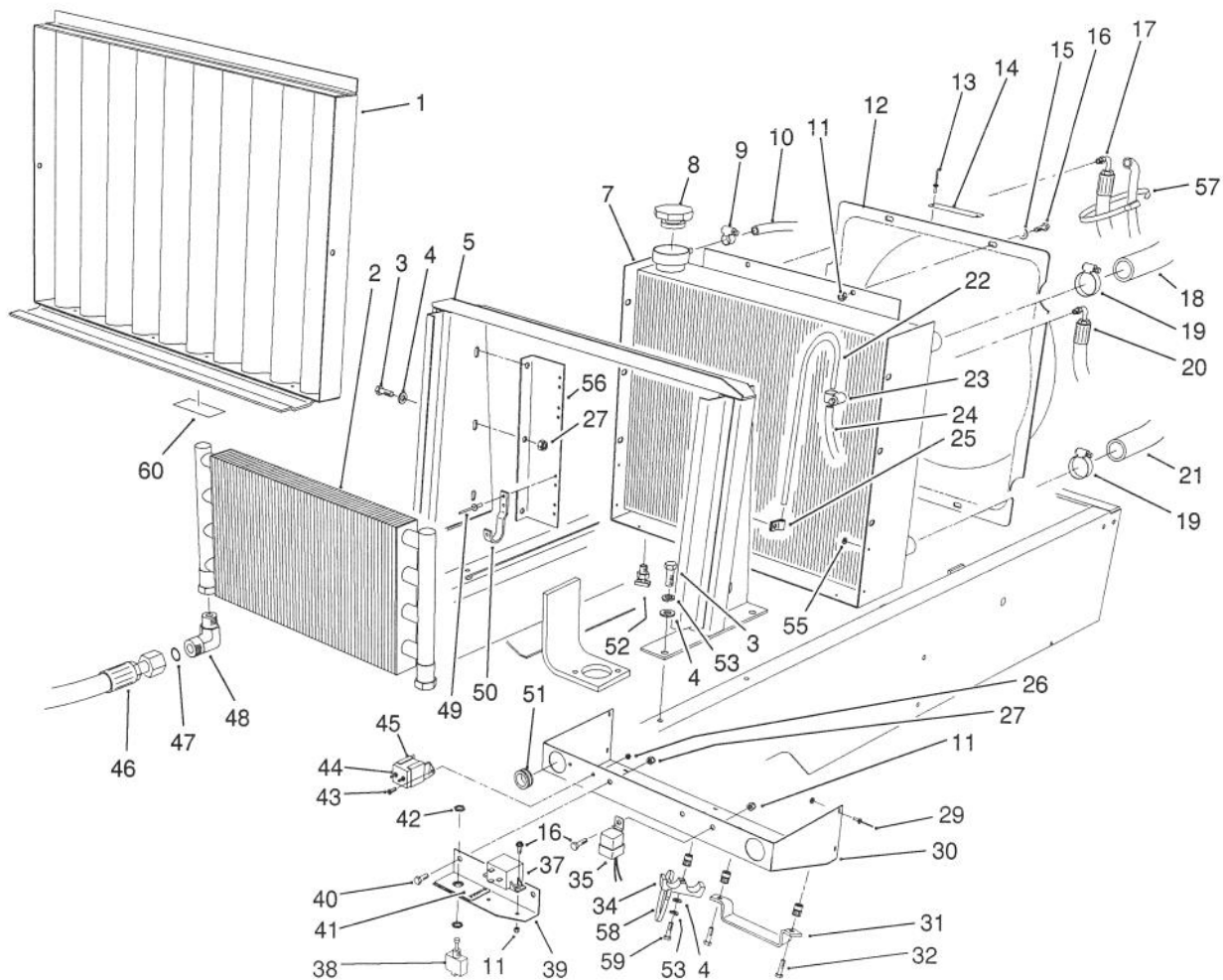


T-1029

HYDRAULIC PUMP NO. 75-0800

Ref. No.	Part No.	Description	No. Used
1	354-54	Plate - Gear	2
2	354-56	Pin - Dowel	2
3	354-64	Screw - Cap Hex. Hd.	4
4	354-16	Washer	4
5	354-63	Cover Assembly	1
6	353-922	Seal - Ring	6
7	354-60	Plate - Gear	1
8	353-886	Ring - Retaining	2
9	354-62	Gear	1
10	354-61	Key - Woodruff	1
11	354-59	Shaft - Drive	1
12	354-65	Idler Shaft Assembly	1
13	354-13	Pin- Dowel	2
14	354-5	Coupling	2
15	354-58	Plate Assembly	1
16	354-69	Seal - Load Hi Pressure	4

Ref. No.	Part No.	Description	No. Used
17	354-67	Seal - Pre-Load Hi Pressure	4
18	354-68	Plate - Load	4
19	354-66	Shaft - Idler	2
20	354-57	Gear - Drive	1
21	354-14	Pin - Dowel	2
22	354-15	Seal - Oil	1
23	354-53	Pump Body Assembly	1
24	354-52	Shaft - Drive	1
25	354-55	Plate Assembly (Incl. Ref. #26-30)	1
26	354-38	Ball - Valve	1
27	354-39	Spring - Compression	1
28	354-37	Adjuster - Valve	1
29	354-35	Gasket	1
30	354-36	Cap - Adjuster Valve	1



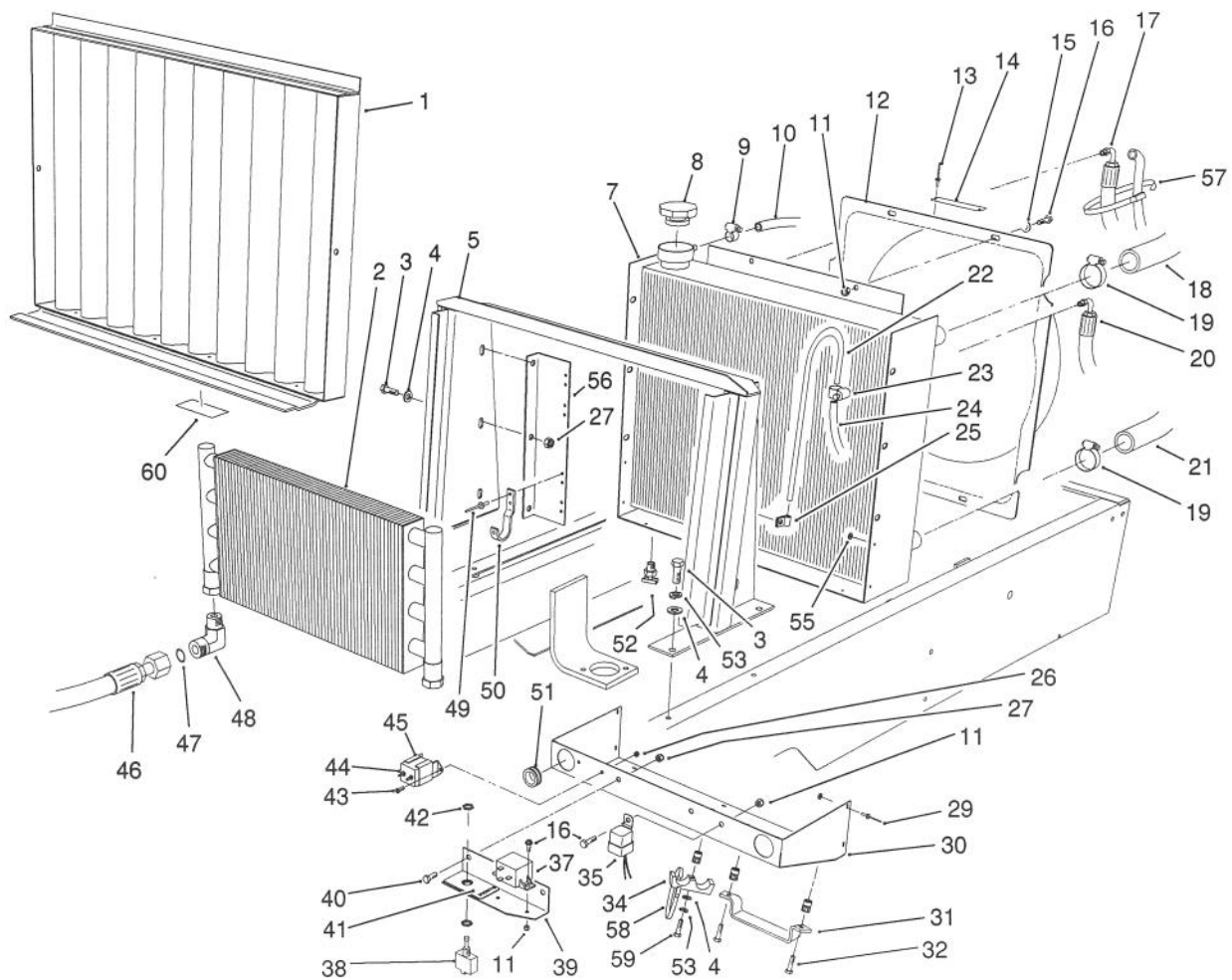
T-1053

RADIATOR ASSEMBLY

Ref. No.	Part No.	Description	No. Used	Ref. No.	Part No.	Description	No. Used
1	75-4060	Screen - Radiator	1	25	2412-103	Clamp - R	1
2	75-1040	Cooler - Oil	1	26	32149-7	Nut - Lock	2
3	322-5	Screw - Cap Hex. Hd.	10	27	3296-29	Nut - Lock	10
4	3256-23	Washer - Flat	12	29	3269-29	Rivet - Pop	7
5	75-4260	Support - Radiator	1	30	75-4310	Shield - Radiator	1
7	75-6290	Radiator	1	31	75-2860	Bracket - Hose	1
8	66-3240	Cap - Radiator	1	32	322-4	Screw - Cap Hex. Hd.	2
9	2412-108	Clamp - Hose	1	34	56-7974	Clamp - Tube	1
10	75-2850	Hose - Expansion Tank	1	35	63-7590	Relay - Starter	1
11	3296-42	Nut - Lock	7	37	66-8800	Relay - Glow Plug	1
12	75-4350	Shroud - Fan	1	38	75-1020	Switch - Backlap (Incl. Ref. #42)	1
13	3290-271	Rivet - Pop	2	39	75-3390	Bracket - Backlap	1
14	76-8750	Plate - Caution	1	40	322-2	Screw - Cap Hex. Hd.	2
15	3256-22	Washer - Flat	4	‡41	75-0750	Decal - Backlap Switch (English)	1
16	321-4	Screw - Cap Hex. Hd.	7	42	218-498	Nut - Lock	2
17	75-6170	Hose - Hydraulic	1	43	32105-8	Screw - Cap Hex. Hd.	2
18	75-2240	Hose - Radiator Upper	1	44	67-4700	Resister - Glow	1
19	2412-3	Clamp - Hose	4	45	70-8560	Retainer - Glow Resister	1
20	75-6150	Hose - Hydraulic	1	46	75-6140	Hose - Hydraulic R.H.	1
21	75-2260	Hose - Radiator Lower	1	*	75-6160	Hose - Hydraulic L.H.	1
22	66-3180	Tube - Vent	1	47	237-65	Seal - O-Ring	2
23	2412-74	Clamp - Hose	1				
24	75-4701	Hose - Fuel Vent	1				

*Not Illustrated

‡For different language versions of this part, see International Decal Cross Reference.



T-1053

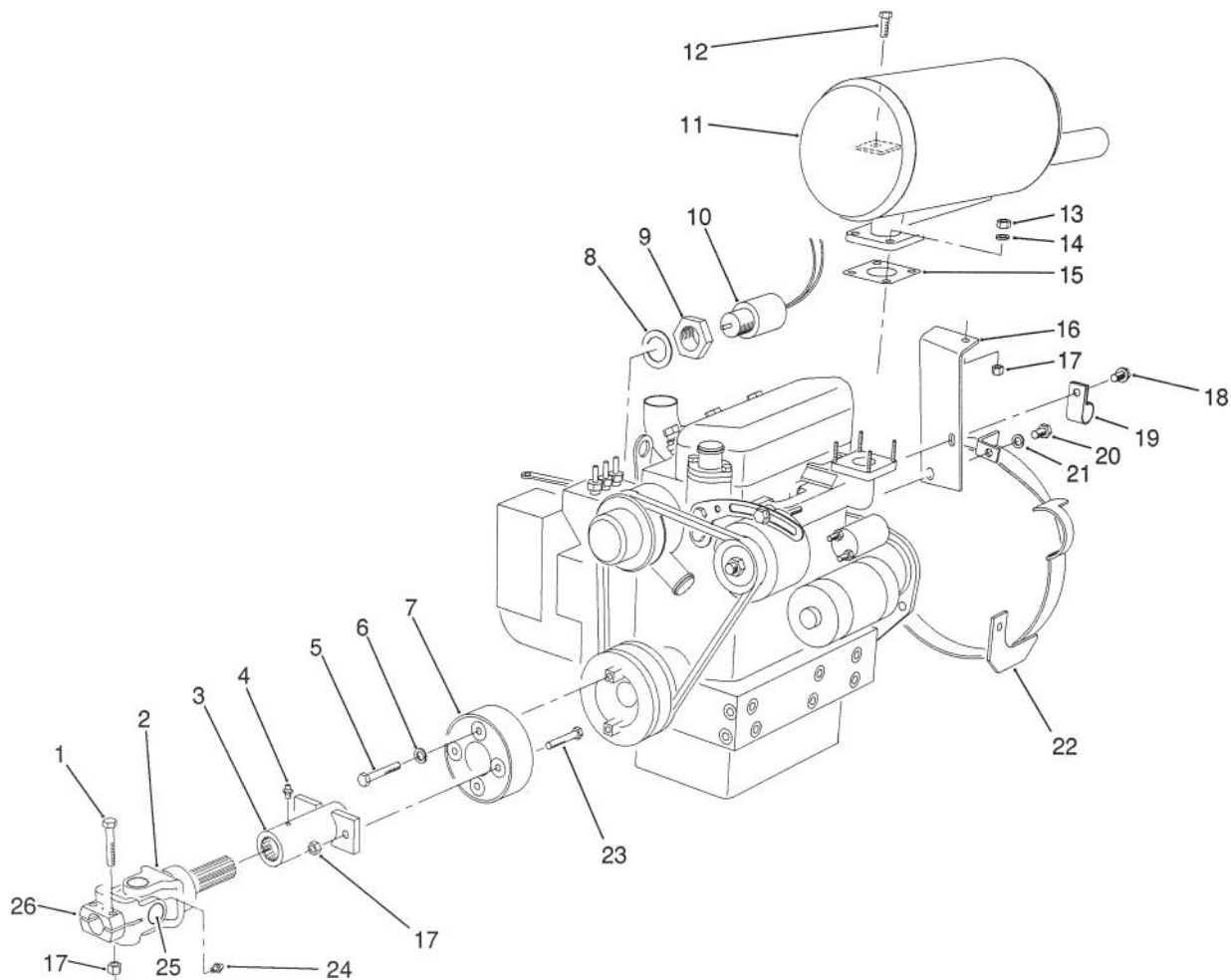
RADIATOR ASSEMBLY (Continued)

Ref. No.	Part No.	Description	No. Used
48	340-108	Fitting - Hydraulic 90° (Incl. Ref. #47)	2
49	3269-15	Rivet - Pop	8
50	75-0930	Hook - Oil Cooler	4
51	240-3	Grommet	2
52	304-46	Drain - Radiator	1
53	3253-4	Washer - Lock	5

Ref. No.	Part No.	Description	No. Used
55	3256-13	Washer - Flat	7
56	75-5160	Plate - Support	2
57	3290-378	Tie - Cable	1
58	3333-975	Tie - Cable	1
59	322-6	Screw - Cap Hex. Hd.	1
±60	83-7450	Decal - Down (English)	1

*Not Illustrated

‡For different language versions of this part, see International Decal Cross Reference.

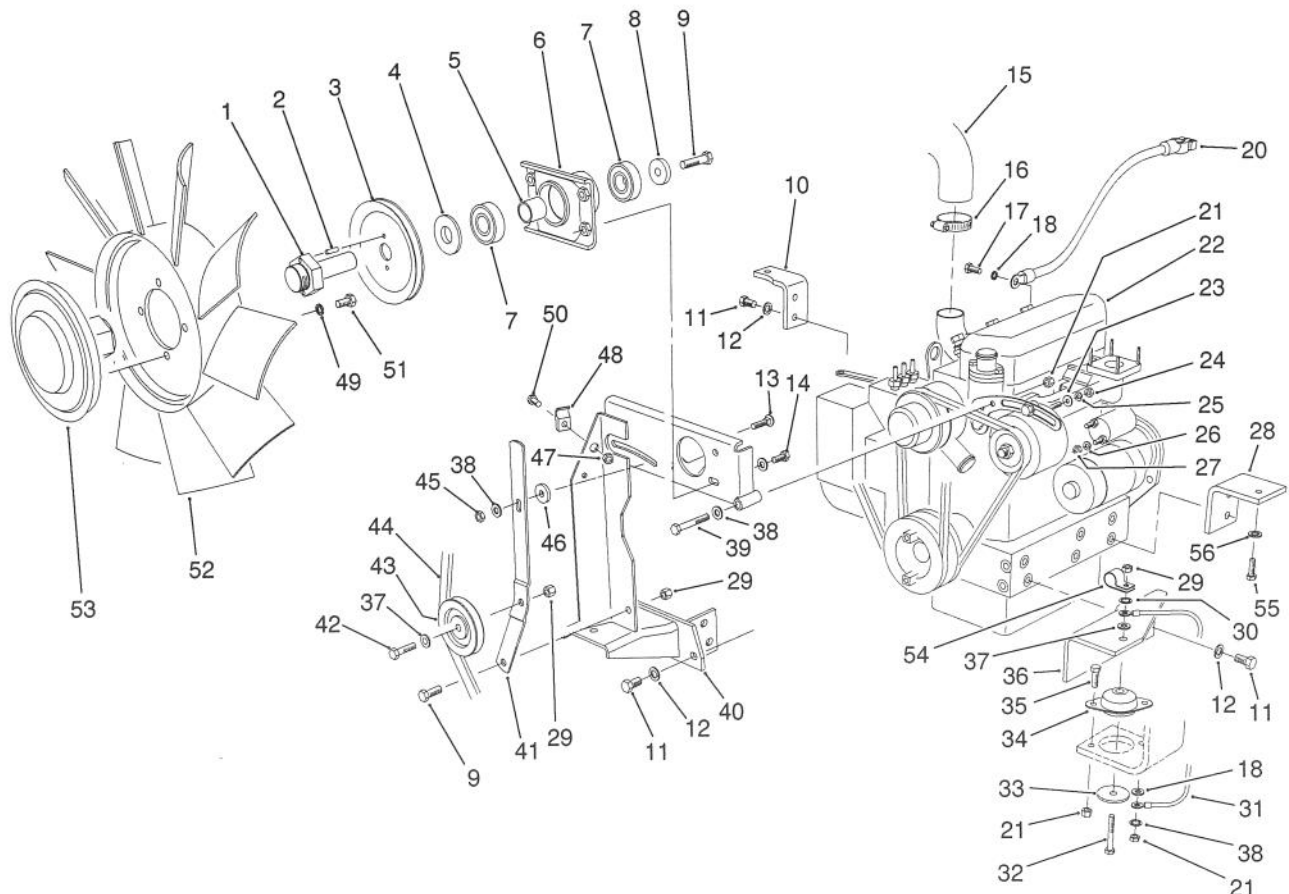


T-1054

MUFFLER & PUMP DRIVE ASSEMBLY

Ref. No.	Part No.	Description	No. Used	Ref. No.	Part No.	Description	No. Used
1	322-9	Screw - Cap Hex. Hd.	2	13	48-7930	Nut - Lock	4
2	75-6410	Yoke - Shaft	1	14	42-9850	Washer - Lock	4
3	75-6420	Yoke - Slip Tube	1	15	42-9110	Gasket - Muffler	1
4	62-3880	Fitting - Grease	1	16	75-4490	Bracket - Muffler	1
5	43-3220	Screw - Cap Hex. Hd.	2	17	3296-29	Nut - Lock	5
6	48-9570	Washer - Lock	2	18	67-2340	Screw - Hex. Washer Hd.	1
7	75-4630	Coupling - Driveshaft	1	19	2412-81	Clamp - R	1
8	43-2740	Gasket	1	20	43-0090	Screw - Cap Hex. Hd.	3
9	43-2750	Nut - Lock	1	21	48-9590	Washer - Lock	1
10	63-7440	Solenoid - Stop	1	22	75-0940	Guard - Flywheel	1
11	75-1070	Muffler	1	23	322-12	Screw - Cap Hex. Hd.	2
*	75-6880	Screen - Spark Arrester (Optional)	1	24	62-3820	Fitting - Grease	1
12	322-4	Screw - Cap Hex. Hd.	1	25	54-9180	Kit - U-Joint	1
				26	54-9040	Yoke - End	1

*Not Illustrated

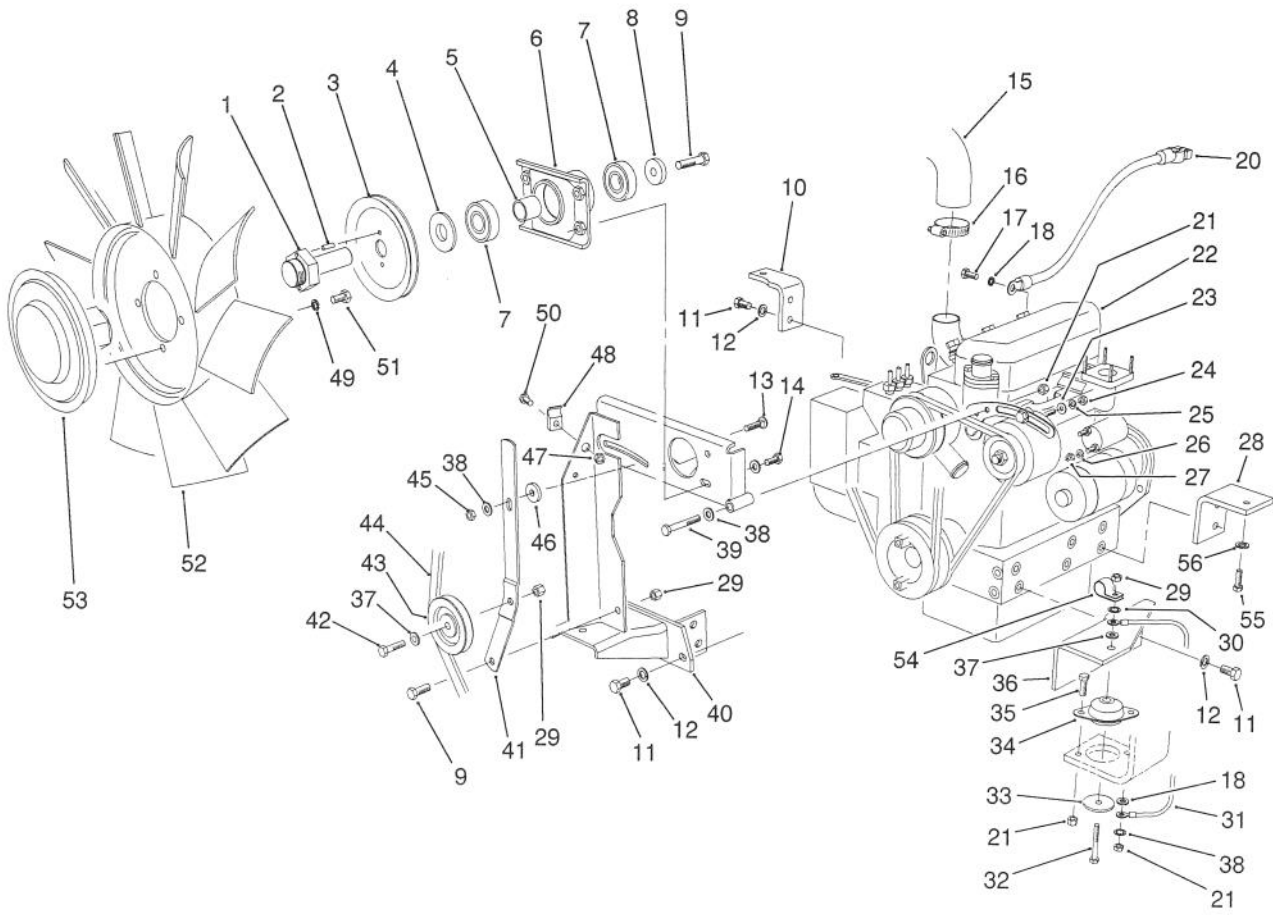


T-1055

ENGINE INSTALLATION ASSEMBLY

Ref. No.	Part No.	Description	No. Used
1	75-6380	Shaft - Fan	1
2	32121-2	Pin - Roll	2
3	75-6390	Pulley - Fan	1
4	47-0110	Spacer - Spindle	1
5	75-5310	Spacer - Bearing	1
6	75-4450	Hub - Fan Drive	1
7	251-318	Bearing - Ball	2
8	67-1630	Spacer - Fan	1
9	323-6	Screw - Cap Hex. Hd.	2
10	71-2910	Bracket - Engine R.H. Rear	1
11	63-7790	Screw - Cap Hex. Hd.	8
12	48-9590	Washer - Lock	10
13	3230-2	Bolt - Carriage	1
14	322-3	Screw - Cap Hex. Hd.	4
15	75-2460	Hose - Air Cleaner	1
16	2412-92	Clamp - Hose	1
17	48-7700	Screw - Cap Hex. Hd.	1
18	3255-8	Washer - Lock	2
20	75-1360	Cable - Battery (Ground)	1
21	3296-29	Nut - Lock	9
22	75-0900	Engine Assembly	1
23	5-3637	Washer - Flat	1
24	43-5970	Nut - Hex.	1

Ref. No.	Part No.	Description	No. Used
25	43-5920	Washer - Lock	1
26	42-9850	Washer - Lock	2
27	57-6390	Nut - Lock	2
28	75-2830	Bracket - Engine L.H. Rear	1
29	3296-39	Nut - Lock	5
30	3255-9	Washer - Lock E.T.L.W.	1
31	70-8220	Cable - Ground	1
32	323-11	Screw - Cap Hex. Hd.	3
33	63-7400	Washer - Flat	4
34	63-7140	Mount - Engine	4
35	322-5	Screw - Cap Hex. Hd.	8
36	66-2320	Bracket - Engine L.H. Front	1
37	3256-24	Washer - Flat	4
38	3256-23	Washer - Flat	5
39	322-11	Screw - Cap Hex. Hd.	1
40	75-4220	Bracket - Fan	1
41	63-6720	Bracket - Fan Idler	1
42	323-8	Screw - Cap Hex. Hd.	1
43	63-8140	Pulley - Idler	1
44	75-1380	Belt - V	1
45	32149-1	Nut - Lock	1
46	27-9560	Spacer	1
47	3296-42	Nut - Lock	1

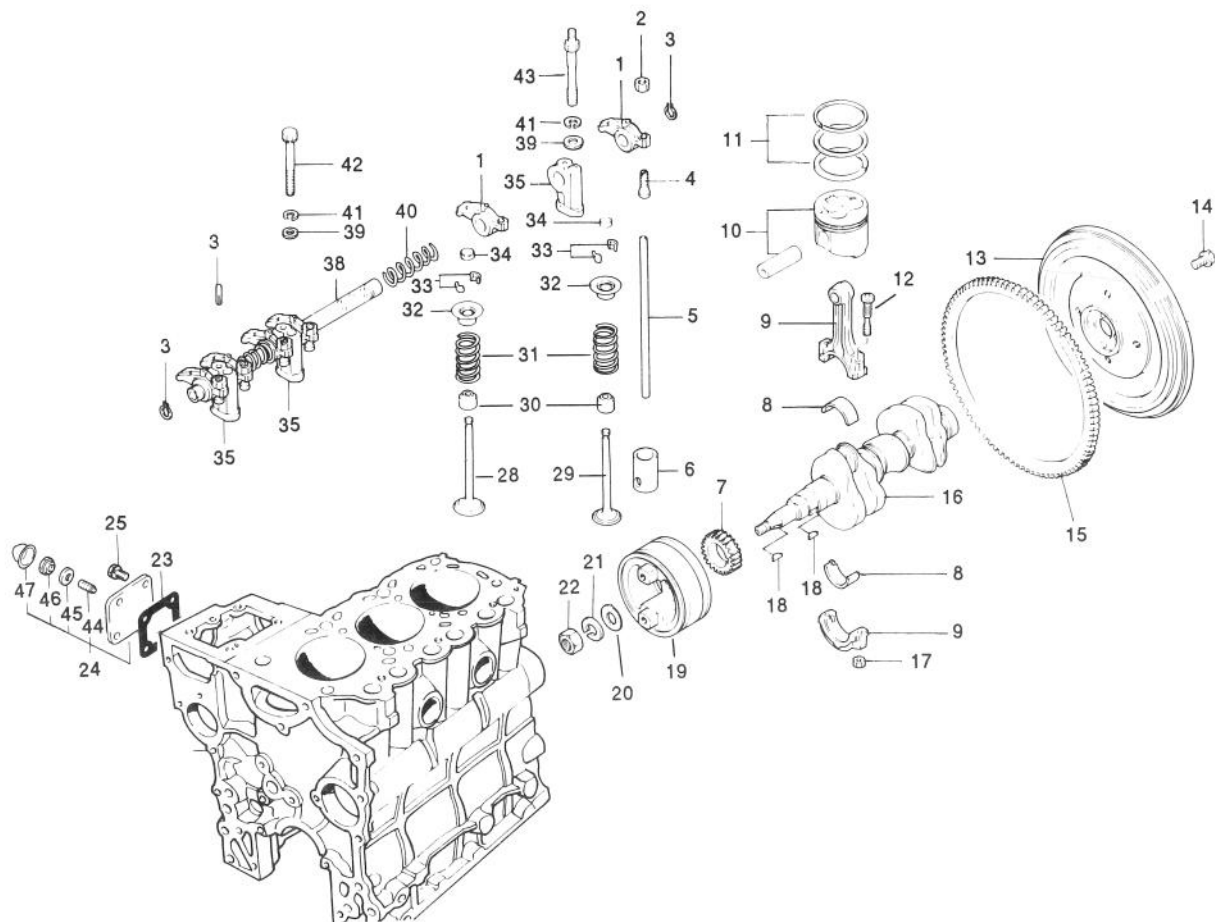


T-1055

ENGINE INSTALLATION ASSEMBLY (Continued)

Ref. No.	Part No.	Description	No. Used
48	3-6657	Clamp - Cable	1
49	3253-4	Washer - Lock	4
50	321-4	Screw - Cap Hex. Hd.	1
51	322-2	Screw - Cap Hex. Hd.	4
52	75-3780	Fan	1

Ref. No.	Part No.	Description	No. Used
53	74-5520	Clutch - Fan	1
54	2412-126	Clamp - R	1
55	323-9	Screw - Cap Hex. Hd.	1
56	3253-21	Washer - Lock	1



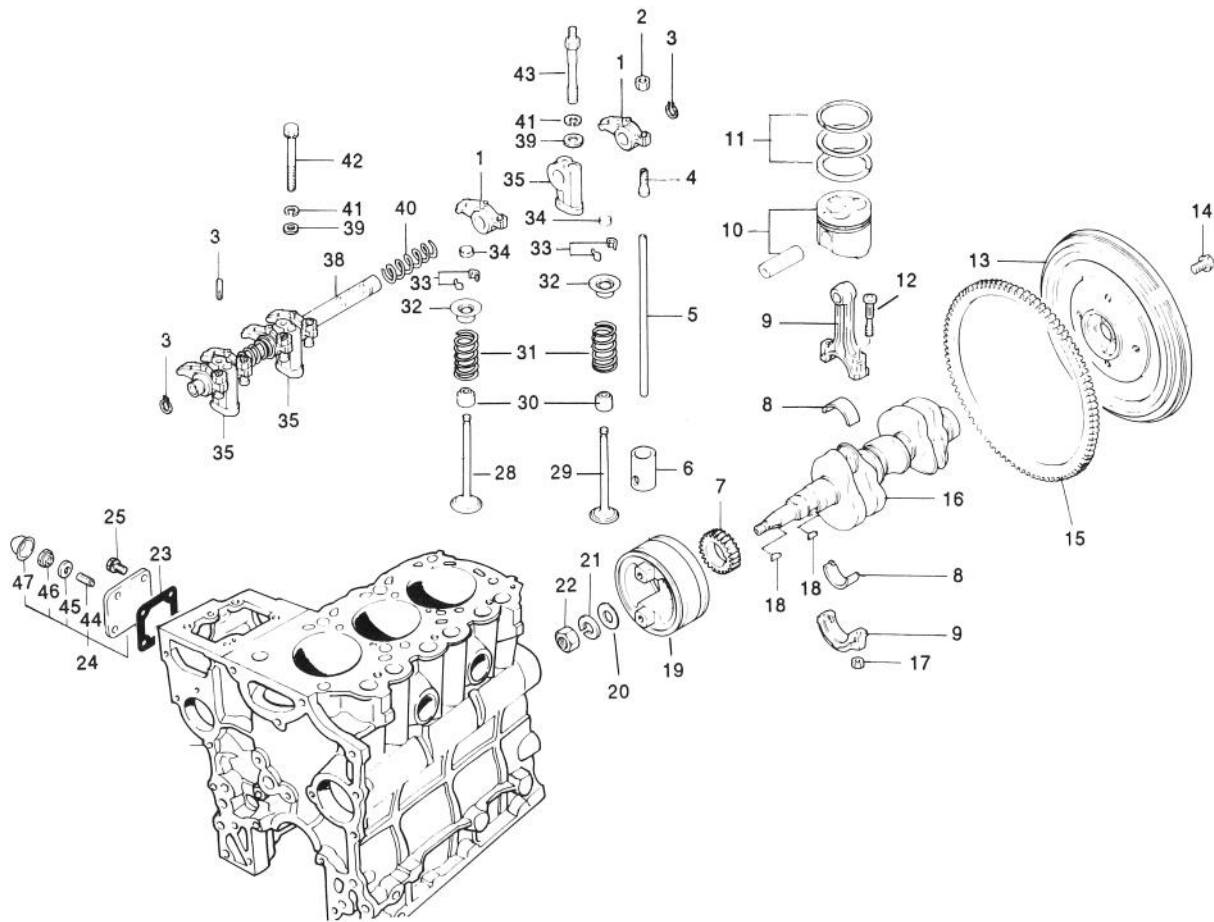
T-0565

VALVES AND CRANKSHAFT ASSEMBLY

Ref. No.	Part No.	Description	No. Used
1	67-3160	Arm-Rocker	6
2	67-3230	Nut - Jam	6
3	67-3240	Snap Ring	2
4	67-3210	Screw - Adjusting	6
5	67-3150	Rod-Push	6
6	67-3120	Tappet	6
7	67-2910	Gear	1
8	75-5010	Bearing Set STD	3
*	67-2890	Bearing Set 0.25 mm US	3
*	67-2900	Bearing Set 0.50 mm US	3
9	67-2850	Rod Assembly-Connecting (Incl. Ref. #12 & 17)	3
10	75-5080	Piston & Pin Set STD	3
*	75-5090	Piston & Pin Set 0.25 mm OS	3
*	75-5100	Piston & Pin Set 0.50 mm OS	3
11	75-5050	Ring Set STD	3
*	75-5060	Ring Set 0.25 mm OS	3
*	75-5070	Ring Set 0.50 mm OS	3
12	67-2860	Bolt	6
13	67-2970	Flywheel Assembly (Incl. Ref. #14)	1

Ref. No.	Part No.	Description	No. Used
14	67-2990	Bolt	4
15	67-2980	Gear - Ring	1
16	67-2920	Crankshaft	1
17	42-9590	Nut	6
18	56-0480	Key - Woodruff	2
19	67-2930	Pulley - Crankshaft	1
20	67-2950	Washer	1
21	67-2960	Washer - Lock	1
22	67-2940	Nut - Jam	1
23	67-4310	Gasket	1
24	75-5110	Cover Assy. (Incl. Ref. #44-47)	1
25	42-9440	Bolt W/Washer	4
28	67-3130	Valve - Intake	3
29	67-3140	Valve - Exhaust	3
30	42-7870	Seal	6
31	67-3110	Spring	6
32	67-3100	Retainer	6
33	42-7860	Lock	12
34	67-3180	Cap	6
35	67-3200	Stay - Rocker	3
37	67-3220	Pin	1
38	67-3190	Rocker Shaft Assembly	1

*Not Illustrated

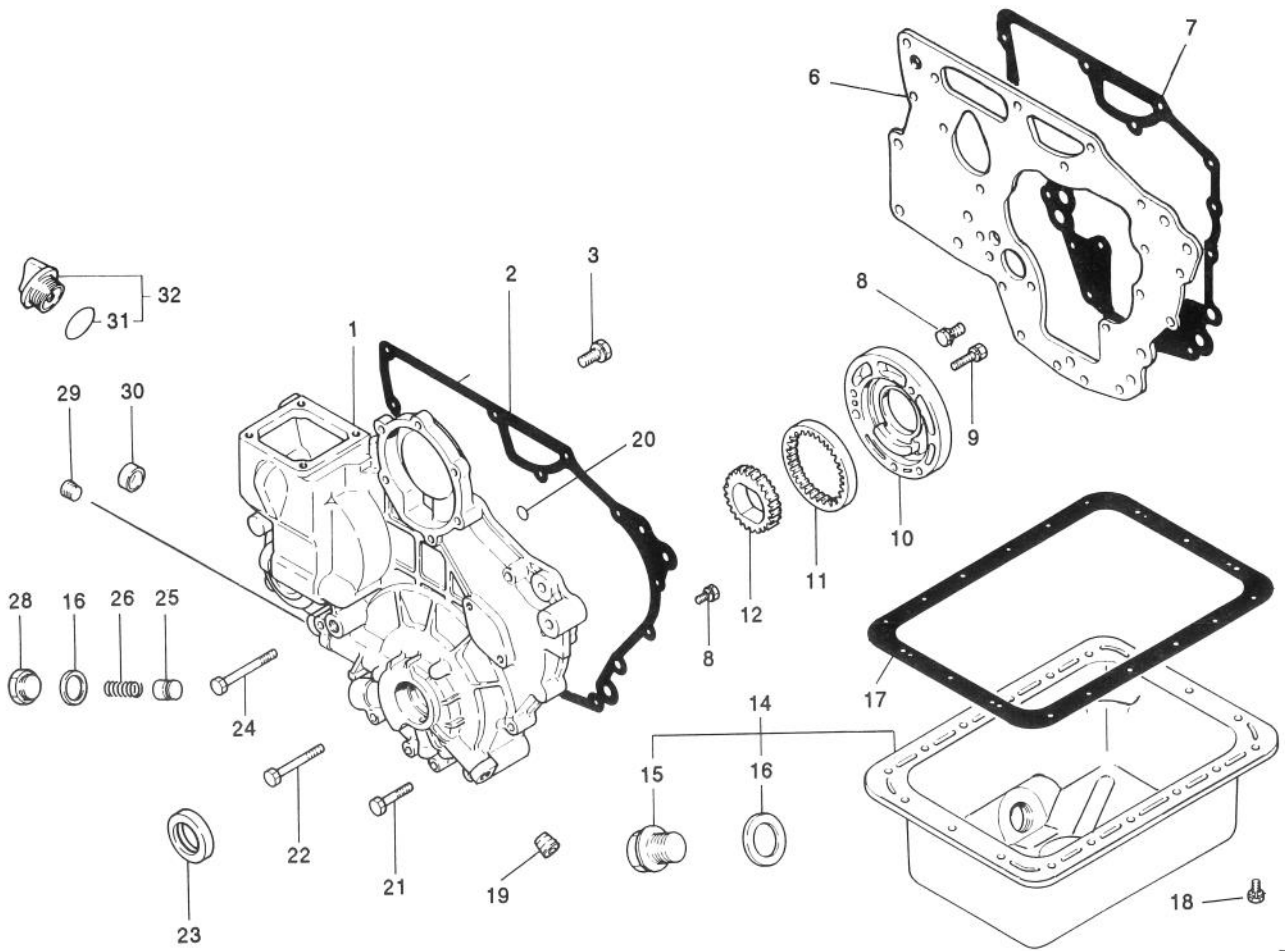


T-0565

VALVES AND CRANKSHAFT ASSEMBLY (Continued)

Ref. No.	Part No.	Description	No. Used
39	42-9660	Washer	3
40	67-3170	Spring	2
41	67-3260	Washer	3
42	42-9510	Bolt	1
43	67-3250	Bolt-Rocker Stay	2

Ref. No.	Part No.	Description	No. Used
44	43-3160	Screw - Adjusting	1
45	75-5120	Gasket	1
46	43-5960	Nut - Special	1
47	43-2820	Cap - Sealing	1



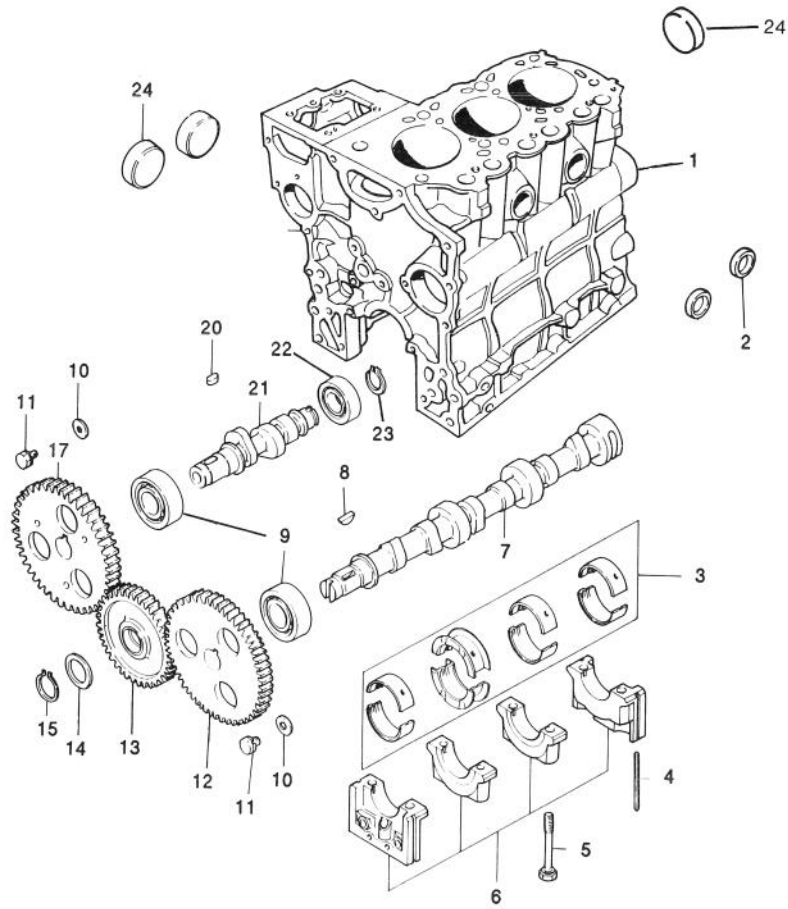
T-0567

CRANKCASE ASSEMBLY

Ref. No.	Part No.	Description	No. Used
1	75-4920	Case	1
2	67-2580	Gasket - Case	1
3	67-2340	Bolt W/Washer	3
6	67-2310	Plate - Front	1
7	67-2320	Gasket - Plate	1
8	42-9440	Bolt W/Washer	11
9	67-2560	Bolt W/Washer	3
10	67-2550	Housing - Oil Pump	1
11	67-2540	Gear - Outer	1
12	67-2530	Gear - Inner	1
14	75-4910	Oil Pan Assembly (Incl. Ref. #15-16)	1
15	42-9260	Plug - Drain	1
16	42-7290	Gasket - Drain	2
17	67-2480	Gasket - Oil Pan	1
18	42-9490	Bolt W/Washer	18

Ref. No.	Part No.	Description	No. Used
19	42-7210	Plug-Taper	1
20	67-2630	Seal - O-Ring	2
21	67-2600	Bolt	3
22	67-2610	Bolt	4
23	67-2590	Seal - Oil	1
24	67-2620	Bolt	1
25	67-2500	Plunger - Relief	1
26	67-2510	Spring - Relief	1
28	67-2520	Plug	1
29	67-2570	Plug - Taper	1
30	67-2640	Cap	1
31	67-2660	Seal - O-Ring	1
32	67-2650	Oil Fill Cap Assembly (Incl. Ref. #31)	1
*	75-5040	Gasket Kit (Incl. Ref. #2, 7, 16 & 17)	1

*Not Illustrated

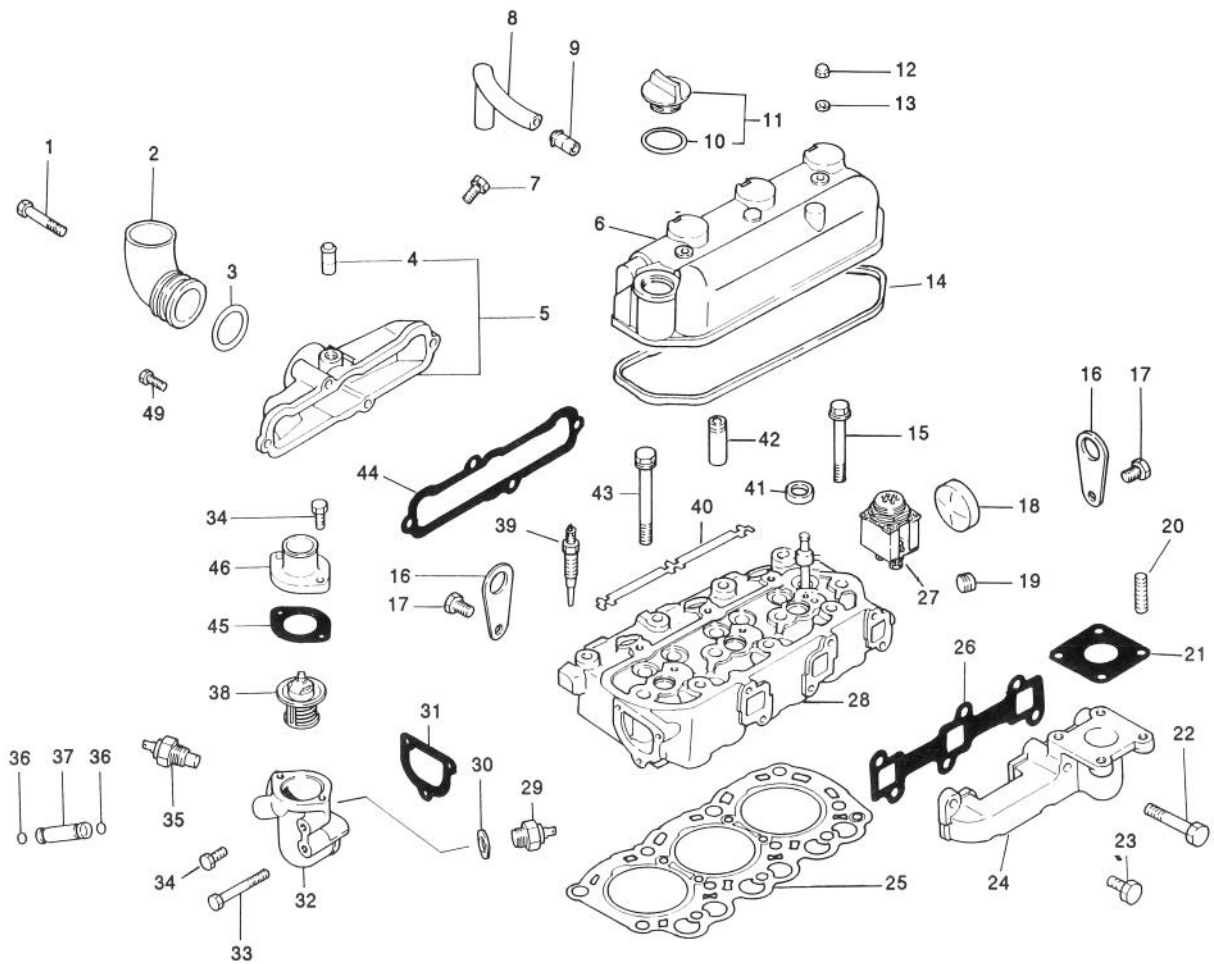


T-0564

CAMSHAFT ASSEMBLY

Ref. No.	Part No.	Description	No. Used	Ref. No.	Part No.	Description	No. Used
1	75-4960	Block Assembly (Incl. Ref. #2, 5, 6 & 24)	1	10	67-3000	Washer	2
2	42-7080	Cap	2	11	42-9490	Bolt W/Washer	2
3	75-4900	Bearing Set STD	1	12	67-3020	Gear	1
*	67-2410	Bearing Set 0.25 mm US	1	13	67-3090	Gear Assembly	1
*	67-2420	Bearing Set 0.50 mm US	1	14	67-3040	Plate	1
4	67-2200	Seal	4	15	56-1060	Snap Ring	1
5	67-2250	Bolt	8	17	67-3070	Gear	1
6		Cap Assembly	1	20	42-7840	Key	1
7	67-3010	Cam Shaft	1	21	67-3060	Shaft	1
8	56-0480	Key - Woodruff	1	22	67-3050	Bearing	1
9	67-3030	Bearing	2	23	67-3080	Snap Ring	1
				24	56-0020	Plug	3

*Not Illustrated

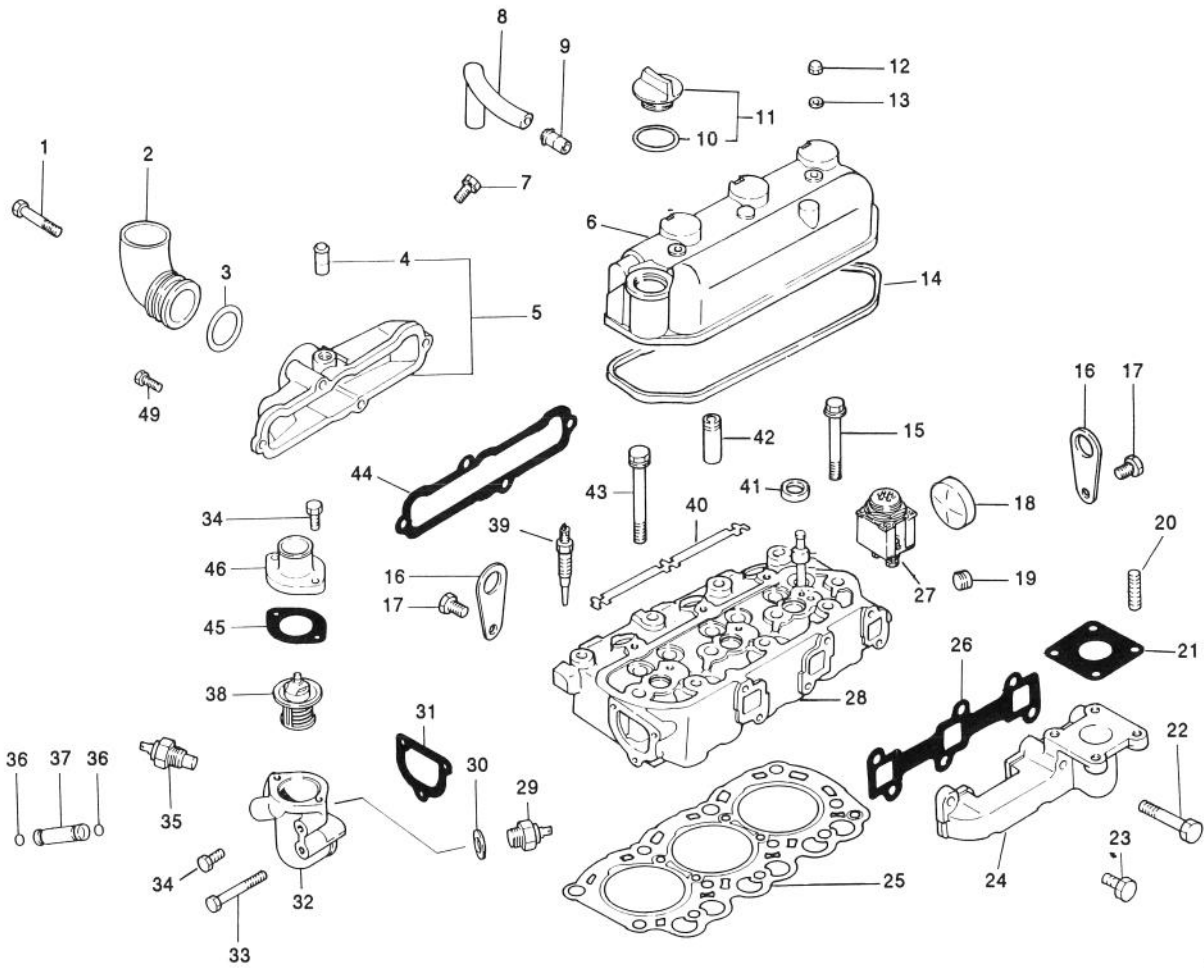


T-0566

CYLINDER HEAD ASSEMBLY

Ref. No.	Part No.	Description	No. Used
1	67-4400	Bolt	2
2	67-4520	Pipe	1
3	67-4540	Seal - O-Ring	1
4	42-7510	Pipe	1
5	67-4530	Cover - Intake	1
6	67-2750	Cover Assembly (Incl. Ref. #9)	1
7	42-9430	Bolt W/Washer	1
8	67-2670	Hose - Breather	1
9	42-7510	Pipe	1
10	67-2660	Seal - O-Ring	1
11	67-2650	Cap - Oil Filler	1
12	67-2770	Nut - Cap	2
13	67-2780	Washer	2
14	67-2760	Gasket	1
15	67-2740	Bolt - Flange	3
16	67-2680	Hanger -Engine	2
17	67-2340	Bolt W/Washer	4
18	56-0020	Plug - Expansion	1
19	67-2570	Plug - Taper	1
20	42-9570	Stud	4
21	42-9110	Gasket	1
22	67-4580	Bolt	2

Ref. No.	Part No.	Description	No. Used
23	67-4590	Bolt	4
24	67-4560	Manifold - Exhaust	1
25	75-4950	Gasket - Cylinder Head	1
26	67-4570	Gasket - Exhaust Manifold	1
27	67-4700	Lamp - Glow	1
28	75-4930	Cylinder Head Assembly (Incl. Ref. #18, 41 & 42)	1
29	67-4500	Switch - Thermo	1
30	67-4490	Gasket	1
31	67-4460	Gasket - Switch	1
32	67-4450	Fitting - Thermostat	1
33	67-4470	Bolt	1
34	67-2330	Bolt	4
35	67-4510	Gauge Nut - Temperature	1
36	43-2710	Seal - O-Ring	2
37	67-4480	Pipe - By-Pass	1
38	67-4440	Thermostat	1
39	67-4680	Plug - Glow	3
40	67-4690	Plate - Glow Plug	1
41	67-2710	Cap - Sealing	3
42	67-2700	Guide - Valve	6
43	67-2730	Bolt	8
44	67-4550	Gasket-Intake Manifold	1

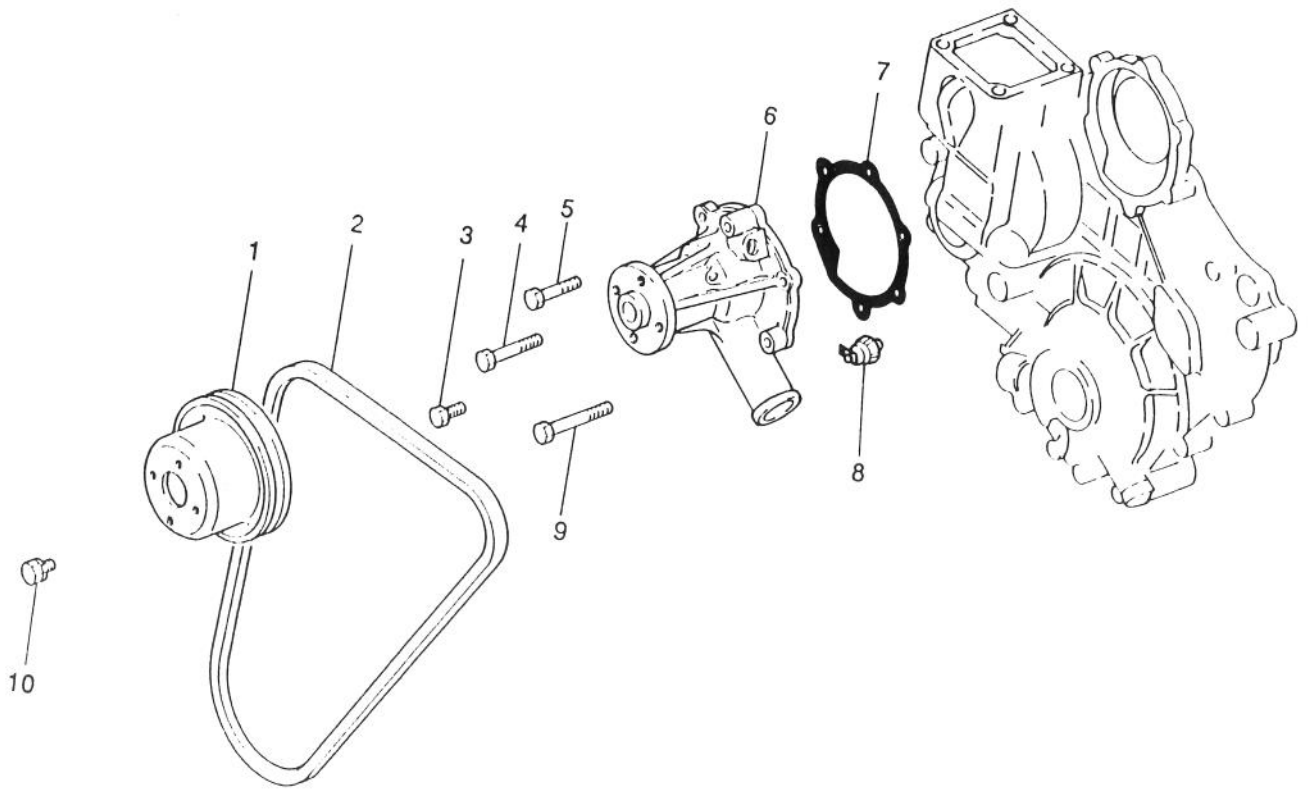


T-0566

CYLINDER HEAD ASSEMBLY (Continued)

Ref. No.	Part No.	Description	No. Used
45	67-4430	Gasket - Fitting	1
46	67-4420	Fitting - Water	1

Ref. No.	Part No.	Description	No. Used
49	67-2330	Bolt	2

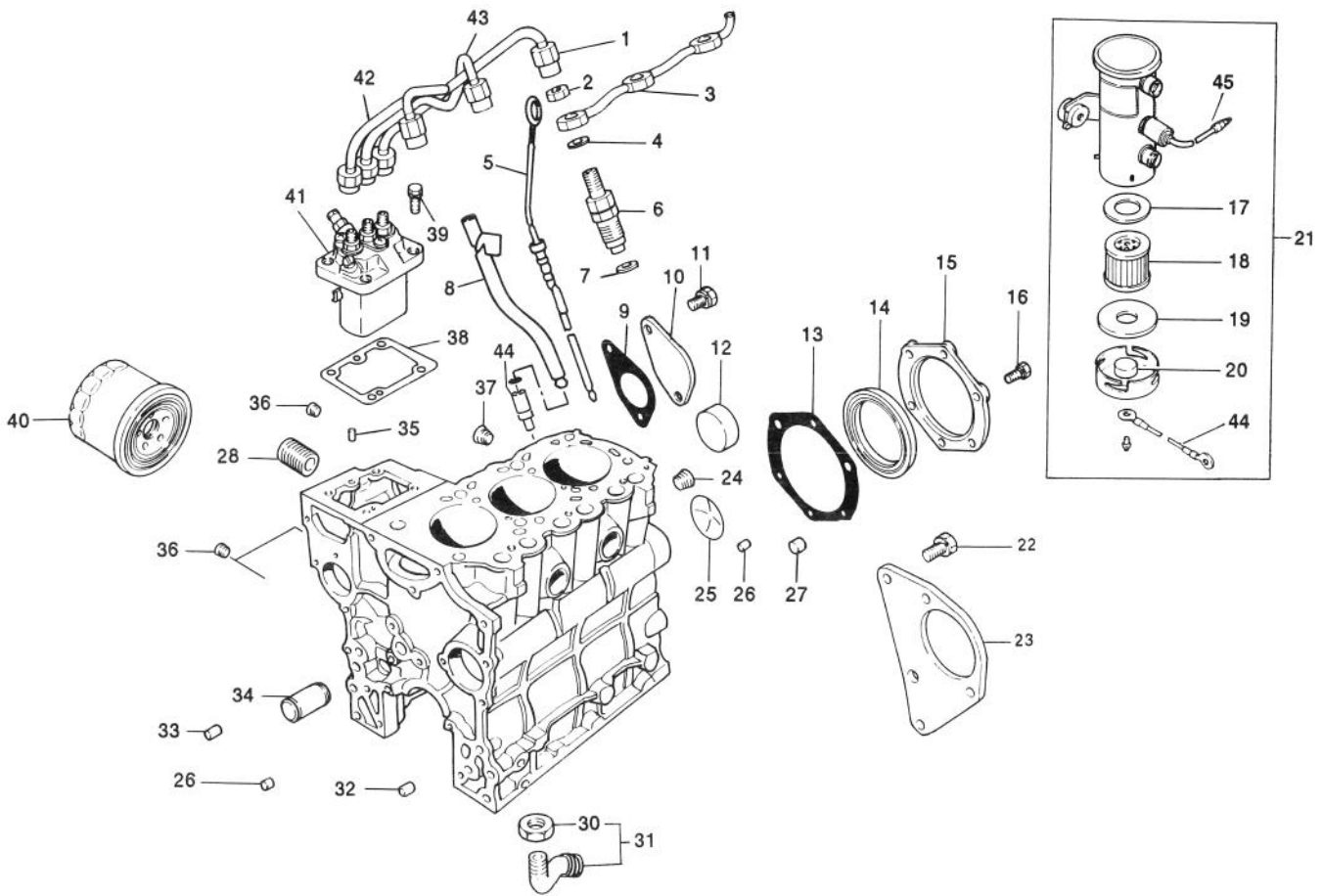


T-0568

WATER PUMP ASSEMBLY

Ref. No.	Part No.	Description	No. Used
1	67-4360	Pulley - Water Pump	1
2	67-4410	V-Belt	1
3	67-2330	Bolt	2
4	67-4400	Bolt	1
5	67-2600	Bolt	1

Ref. No.	Part No.	Description	No. Used
6	67-4380	Water Pump Assembly	1
7	67-4390	Gasket - Water Pump	1
8	67-4350	Switch - Oil Pressure	1
9	67-2610	Bolt	2
10	42-9490	Bolt W/Washer	4



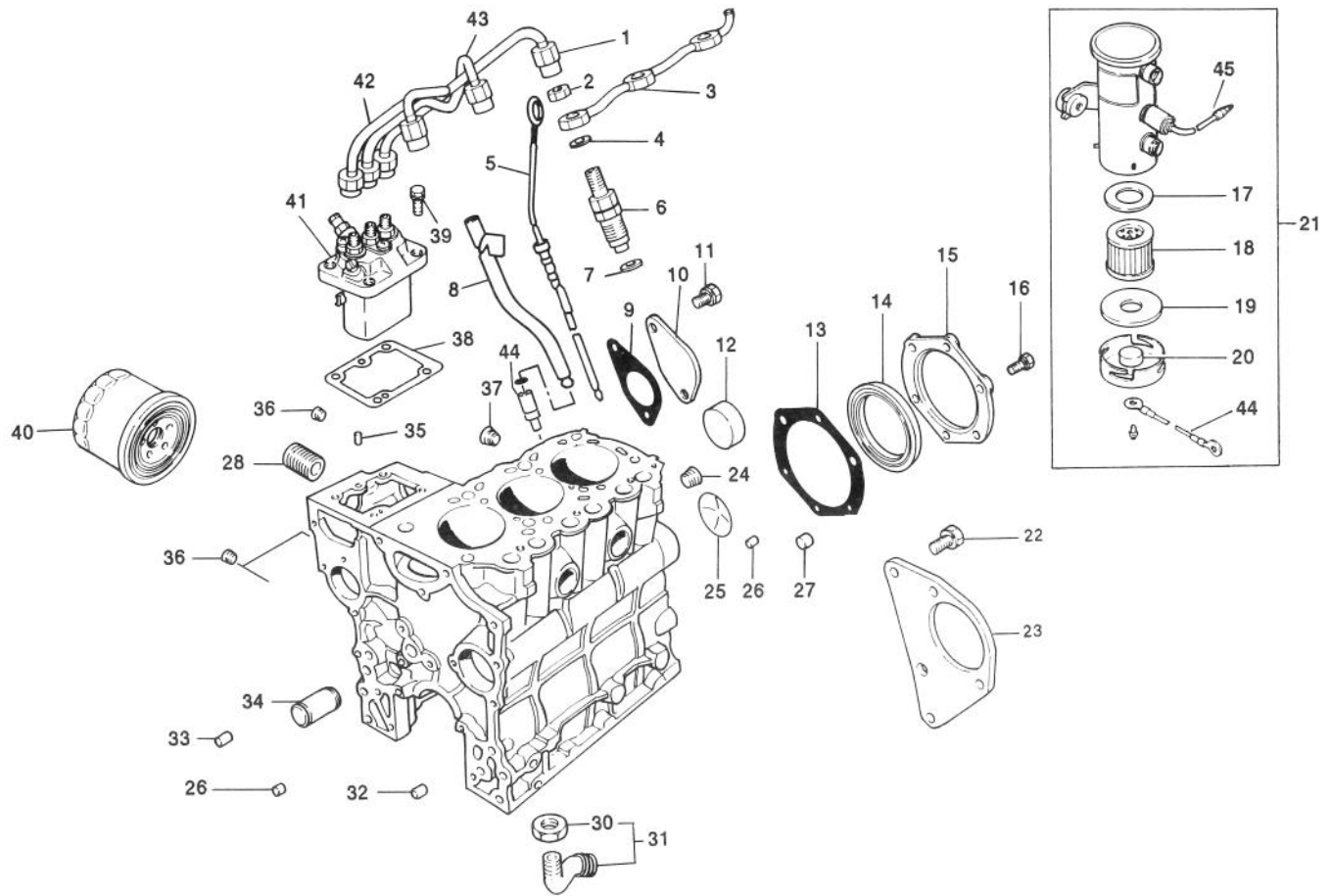
T-0569

FUEL SUPPLY & ENGINE BLOCK ASSEMBLY

Ref. No.	Part No.	Description	No. Used
1	67-3420	Pipe Assy. No. 3	1
2	67-3430	Nut	3
3	70-8700	Pipe - Fuel Return	1
4	67-3440	Gasket	3
5	70-8880	Dipstick	1
6	67-3380	Nozzle & Holder Assembly	1
7	67-3390	Gasket - Nozzle Holder	3
8	70-8870	Guide - Oil Level	1
9	67-2300	Gasket	1
10	67-2290	Cover	1
11	67-2340	Bolt W/Washer	2
12	56-0020	Plug-Expansion	3
13	67-2280	Gasket-Seal, Oil	1
14	67-2230	Seal-Oil	1
15	67-2270	Case - Oil Seal	1
16	67-2330	Bolt	6
17	43-2570	Gasket-Coil Side	1
18	43-2550	Filter	1
19	43-2560	Gasket - Side Cover	1
20	43-2580	Magnet	1
21	53-8150	Pump Assembly (Incl. Ref. #17-20)	1

Ref. No.	Part No.	Description	No. Used
22	67-2440	Bolt W/Washer	3
23	67-2430	Bracket - Starter	1
24	67-2390	Plug - Taper	1
25	67-2350	Plug - Expansion	1
26	67-2360	Bushing - Knock	2
27	67-2380	Bushing - Knock	3
28	56-1230	Shaft - Oil Filter	1
30	42-9650	Nut - Jam	1
31	67-4340	Screen Assembly (Incl. Ref. #30)	1
32	67-2370	Bushing - Knock	1
33	42-7190	Bushing - Knock	2
34	67-2260	Shaft-Idler	1
35	56-0220	Pin - Dowel	2
36	67-2210	Plug - Taper	3
37	56-0100	Plug - Taper	1
38	67-3280	Shim 0.2 mm	1
*	67-3290	Shim 0.3 mm	1
*	67-3300	Shim 0.5 mm	1
*	67-3310	Shim 0.4 mm	1
*	67-3320	Shim 0.6 mm	1

*Not Illustrated



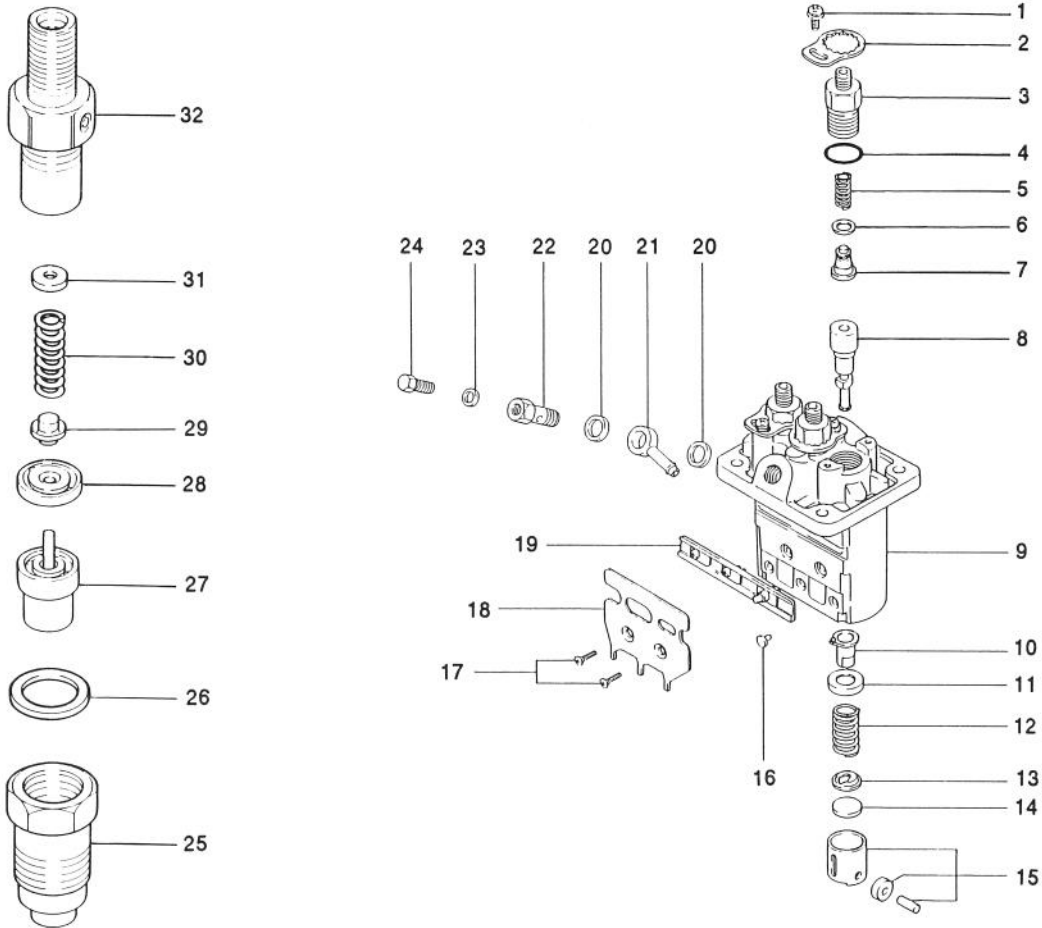
T-0569

FUEL SUPPLY & ENGINE BLOCK ASSEMBLY (Continued)

Ref. No.	Part No.	Description	No. Used
38	67-3330	Shim 0.7 mm	1
*	67-3340	Shim 0.8 mm	1
*	67-3350	Shim 0.9 mm	1
*	67-3360	Shim 1.0 mm	1
39	67-3370	Bolt W/Washer	4

Ref. No.	Part No.	Description	No. Used
40	67-4330	Oil Filter Assembly	1
41	75-5020	Injector Pump Assembly	1
42	67-3400	Pipe Assy. No. 1	1
43	67-3410	Pipe Assy. No. 2	1
44	82-8110	Retainer - Oil Guide	1

*Not Illustrated



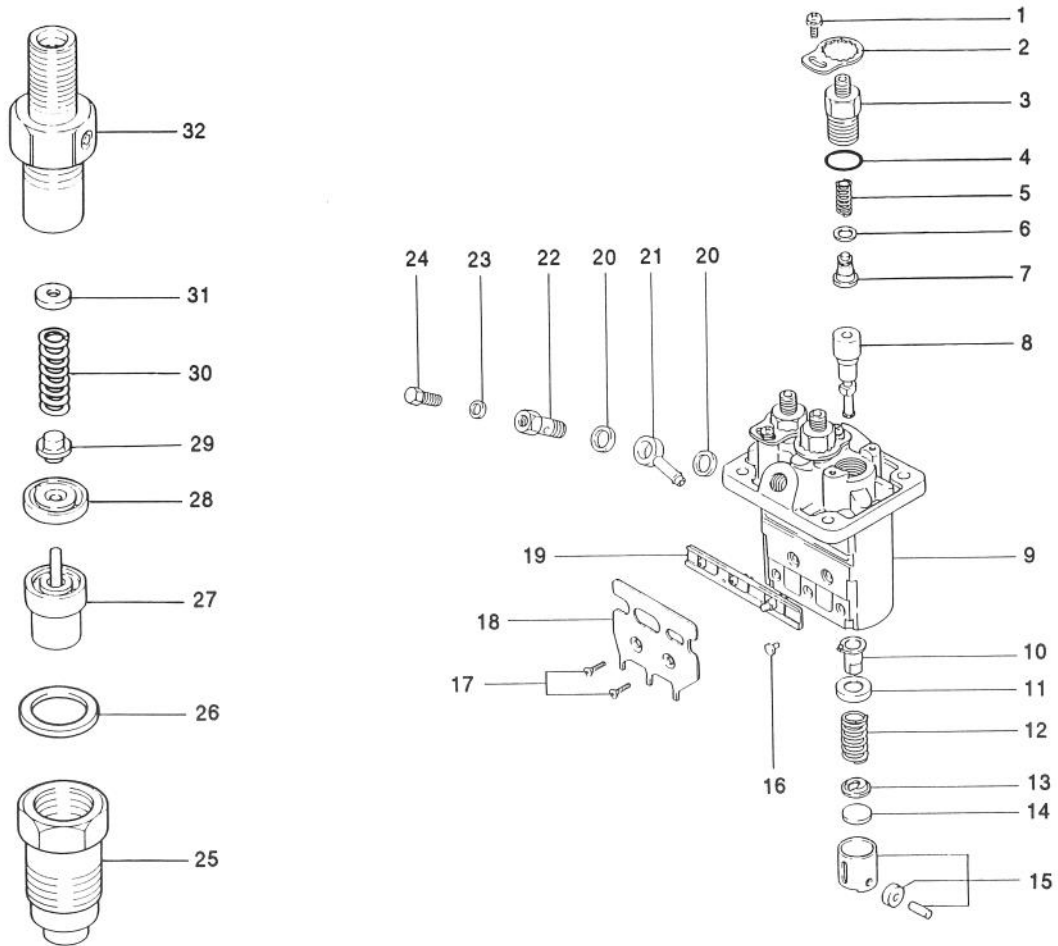
T-0570

FUEL INJECTION PUMP ASSEMBLY

Ref. No.	Part No.	Description	No. Used
1	67-3770	Screw W/Washer	3
2	67-3760	Plate - Lock	3
3	67-3740	Holder-Delivery Valve	3
4	67-3480	Seal - O-Ring	3
5	67-3490	Spring	3
6	42-8240	Gasket	3
7	67-3500	Valve	3
8	75-4970	Element	3
9	67-3460	Housing-Pump	1
10	67-3520	Sleeve	3
11	67-3530	Seat - Spring Upper	3
12	67-3540	Spring	3
13	67-3550	Seat - Spring Lower	3
14	67-3560	Plate - Shim 1.85 mm	1
*	67-3570	Plate - Shim 1.9 mm	1
*	67-3580	Plate - Shim 1.95 mm	1
*	67-3590	Plate - Shim 2.0 mm	1
*	67-3600	Plate - Shim 2.05 mm	1
*	67-3610	Plate - Shim 2.1 mm	1
*	67-3620	Plate - Shim 2.15 mm	1
*	67-3630	Plate - Shim 2.2 mm	1
*	67-3640	Plate - Shim 2.25 mm	1

Ref. No.	Part No.	Description	No. Used
14	67-3650	Plate - Shim 2.3 mm	1
*	67-3660	Plate - Shim 2.35 mm	1
*	67-3670	Plate - Shim 2.4 mm	1
*	67-3680	Plate - Shim 2.45 mm	1
*	67-3690	Plate - Shim 2.5 mm	1
15	67-3700	Tappet	3
16	67-3810	Pin - Tappet Guide	3
17	67-3790	Screw	2
18	67-3800	Bracket - Wire Stop	1
19	67-3780	Rack	1
20	67-3750	Washer	2
21	67-3740	Nipple - Swivel	1
22	67-3730	Screw	1
23	67-3720	Washer	1
24	67-3710	Screw - Air Bleed	1
25	67-3970	Nut - Retaining	3
26	67-3980	Gasket	3
27	67-3960	Nozzle	3
28	67-3950	Piece - Distance	3
29	67-3940	Pin - Pressure	3
30	67-3930	Spring	3
31	67-3830	Washer 1.25 mm	1

*Not Illustrated



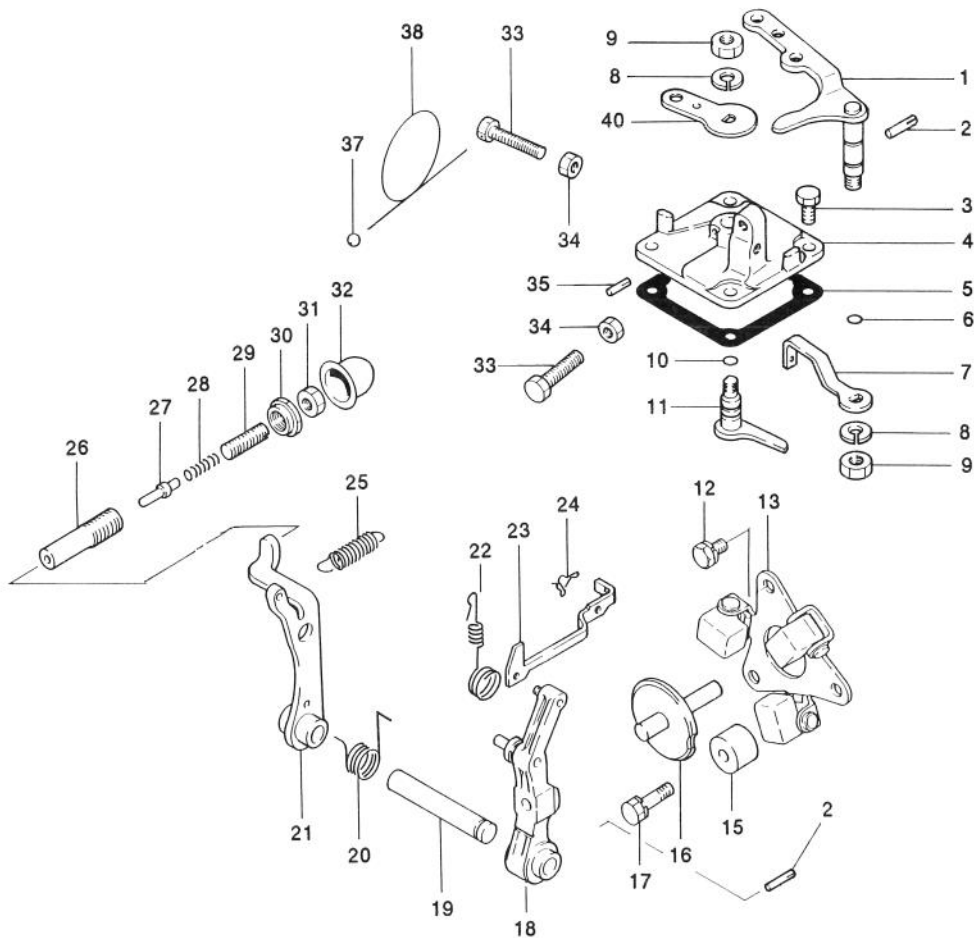
T-0570

FUEL INJECTION PUMP ASSEMBLY (Continued)

Ref. No.	Part No.	Description	No. Used
31	67-3840	Washer 1.3 mm	1
*	67-3850	Washer 1.35 mm	1
*	67-3860	Washer 1.4 mm	1
*	67-3870	Washer 1.45 mm	1
*	67-3880	Washer 1.5 mm	1
*	67-3890	Washer 1.55 mm	1
*	67-3900	Washer 1.6 mm	1

Ref. No.	Part No.	Description	No. Used
31	67-3910	Washer 1.65 mm	1
*	67-3920	Washer 1.7 mm	1
32	75-5000	Body	3
*	53-8150	Pump Assembly (Incl. Ref. 21-24)	1
*	67-3380	Nozzle and Holder Assembly (Incl. Ref. #25-32)	3

*Not Illustrated



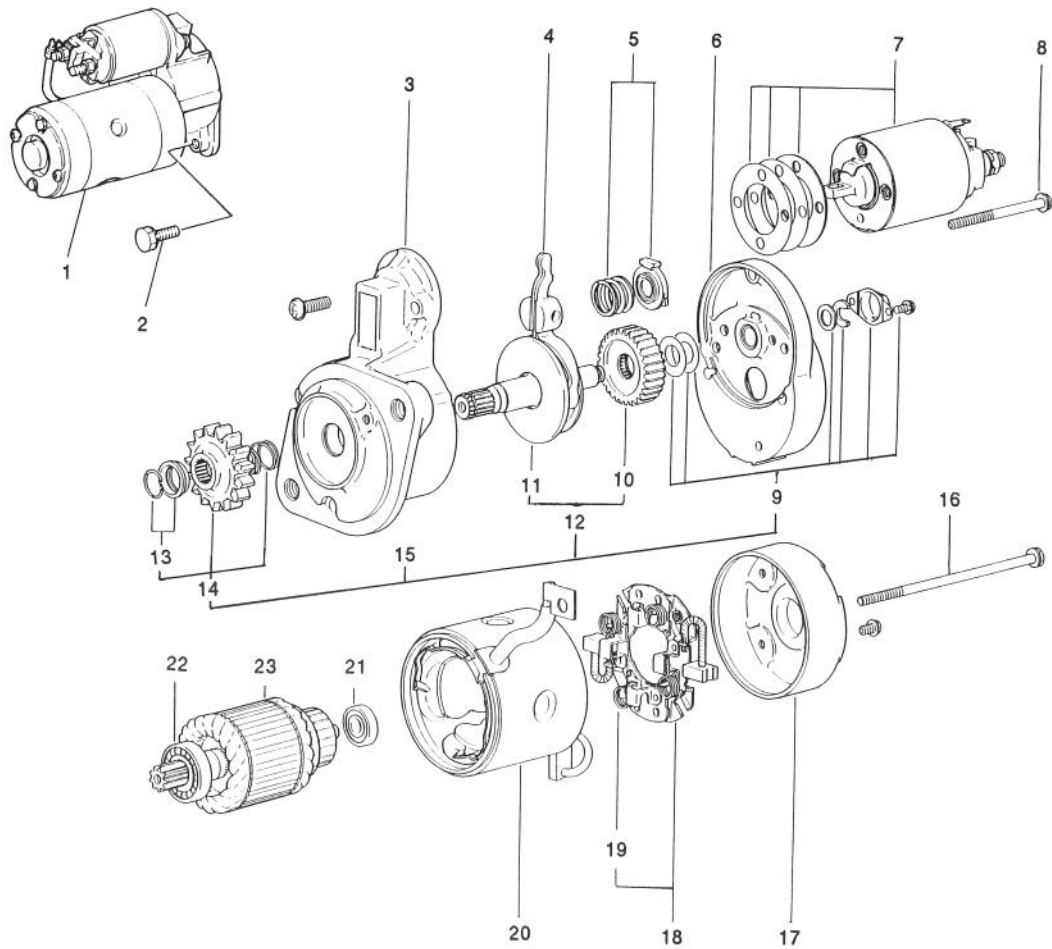
T-0571

GOVERNOR ASSEMBLY

Ref. No.	Part No.	Description	No. Used
1	67-3990	Lever - Speed Control	1
2	67-4000	Pin	2
3	67-4270	Bolt	4
4	67-4130	Cover - Governor	1
5	67-4160	Gasket	1
6	42-8830	Seal - O-Ring	1
7	75-4980	Lever - Governor Spring	1
8	67-3260	Washer	2
9	42-9640	Nut - Jam	2
10	42-8830	Seal - O-Ring	1
11	67-4140	Lever - Stop	1
12	42-9430	Bolt W/Washer	2
13	67-4040	Weight Assembly	1
15	67-4010	Stopper	1
16	67-4070	Shaft - Sliding	1
17	67-4280	Bolt W/Washer	1
18	67-4060	Lever - Governor	1
19	67-4050	Shaft - Governor	1
20	67-5040	Spring	1
21	67-4090	Lever - Tension	1
22	70-8720	Spring - Tie Rod	1

Ref. No.	Part No.	Description	No. Used
23	67-4030	Rod - Tie	1
24	67-4080	Clip	1
25	75-4990	Spring - Governor	1
26	67-4210	Case - Torque Spring	1
27	67-4230	Stopper	1
28	67-4190	Spring - Torque	1
29	67-4220	Screw - Adjusting	1
30	67-4200	Nut - Special	1
31	67-4180	Nut	1
32	43-2820	Cap - Sealing Torque Set	1
33	42-9420	Bolt - Speed Set	4
34	67-4290	Nut	4
35	67-4120	Pin - Grooved	1
37	42-8690	Metal - Sealing	1
38	42-8700	Wire	1
40	67-4150	Lever - Stop	1
*	67-4110	Cover Assembly (Incl. Ref. #4, 8-11, 35 & 40)	1
*	67-4170	Spring Set (Incl. Ref. #26-31)	

*Not Illustrated

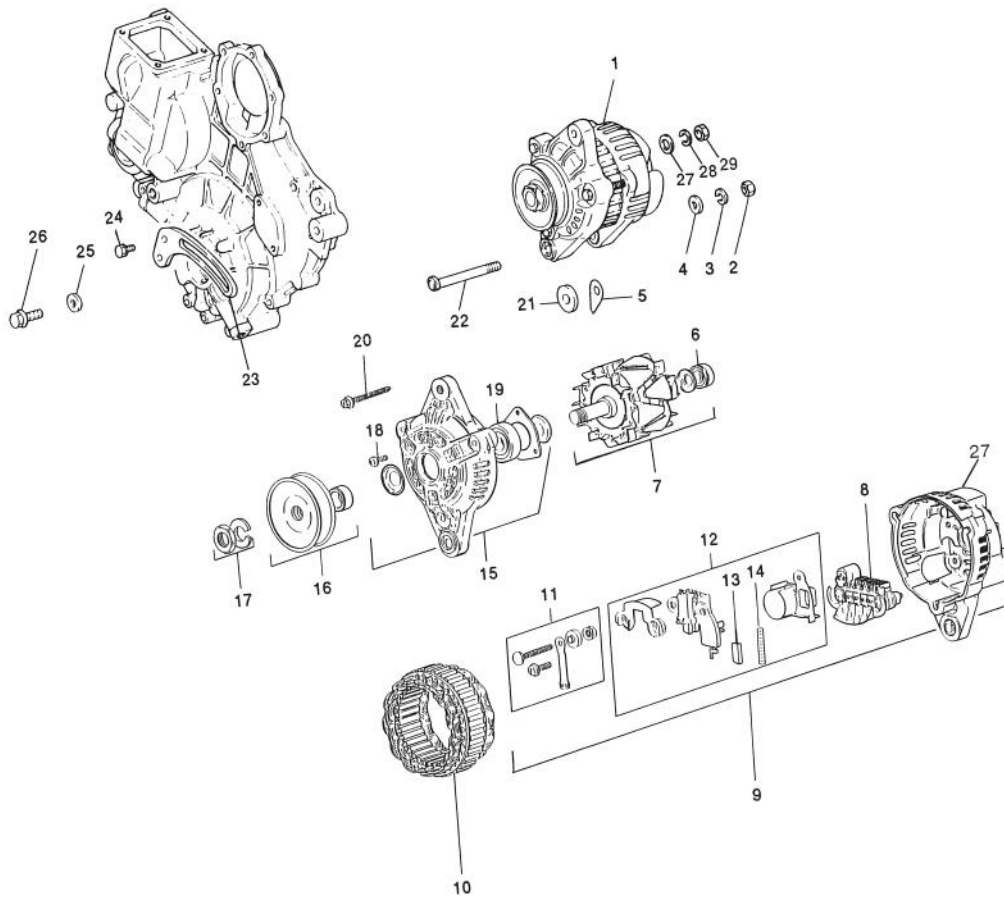


T-0572

STARTER ASSEMBLY

Ref. No.	Part No.	Description	No. Used
1	70-8760	Starter Assembly (Incl. Ref. #3-23)	1
2	67-4610	Bolt W/Washer	2
3	70-8770	Bracket - Front	1
4	67-4720	Lever	1
5	67-4730	Spring Set	1
6	70-8780	Bracket - Center	1
7	67-4750	Switch	1
8	56-1570	Bolt Set	1
9	56-1680	Cover Set	1
10	56-1670	Gear	1
11	67-4790	Shaft	1
12	67-4780	Gear Set (Incl. Ref. #10 & 11)	1
13	56-1640	Stopper Set	1

Ref. No.	Part No.	Description	No. Used
14	67-4770	Pinion Set (Incl. Ref. #13)	1
15	67-4760	Shaft Assembly (Incl. Ref. #9, 12 & 14)	1
16	56-1610	Bolt	1
17	56-1720	Bracket - Rear	1
18	56-1700	Holder - Brush (Incl. Ref. #19)	1
19	56-1710	Spring - Brush	4
20	67-4800	Yoke	1
21	56-1600	Bearing - Rear	1
22	56-1590	Bearing - Front	1
23	56-1580	Armature Set (Incl. Ref. #21 & 22)	1

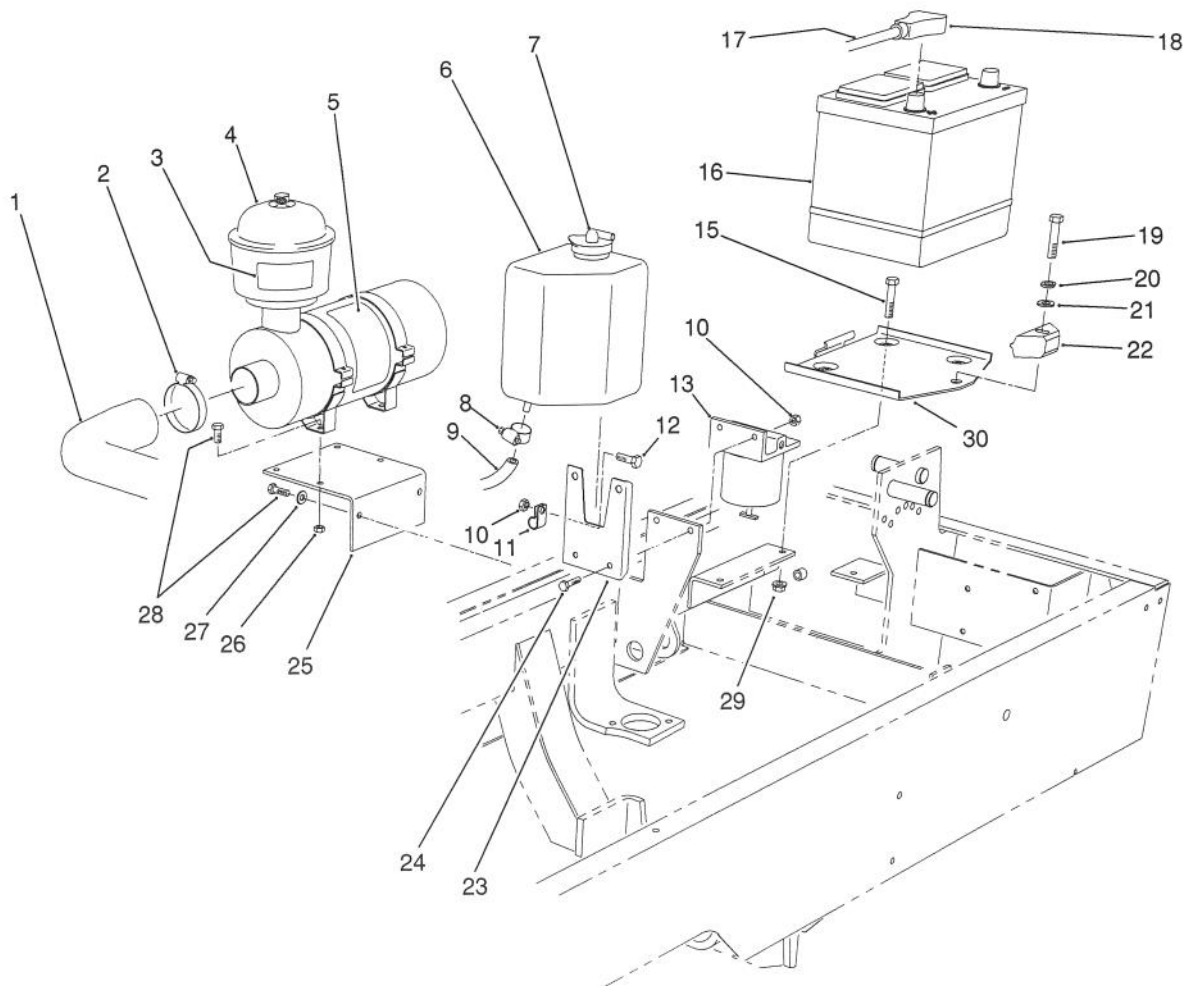


T-0573

ALTERNATOR ASSEMBLY

Ref. No.	Part No.	Description	No. Used
1	67-4630	Alternator Assembly (Incl. Ref. #6-17)	1
2	67-4670	Nut	1
3	67-3260	Washer	1
4	42-9660	Washer	1
5	43-0370	Shim	1
6	67-4870	Bearing - Rear	1
7	67-4860	Rotor Assembly (Incl. Ref. #6)	1
8	67-4930	Rectifier	1
9	67-4890	Rear Cover Assembly (Incl. Ref. #8, 11, 12 & 27)	1
10	67-4880	Stator	1
11	67-4900	Terminal Set	1
12	67-4910	Regulator Assembly (Incl. Ref. #13 & 14)	1

Ref. No.	Part No.	Description	No. Used
13	67-4920	Brush	2
14	43-0510	Spring - Brush	2
15	67-4830	Front Bracket Assembly (Incl. Ref. #18 & 19)	1
16	67-4810	Pulley Set	1
17	43-1920	Nut Set	1
18	67-4840	Screw Set	1
19	67-4850	Bearing - Front	1
20	67-4820	Bolt Set	1
21	67-4620	Spacer	1
22	67-4640	Bolt	1
23	75-4940	Brace - Alternator	1
24	42-9440	Bolt W/Washer	1
25	54-8660	Washer	1
26	67-4660	Bolt - Flange	1
27	72-6140	Cover - Rear	1



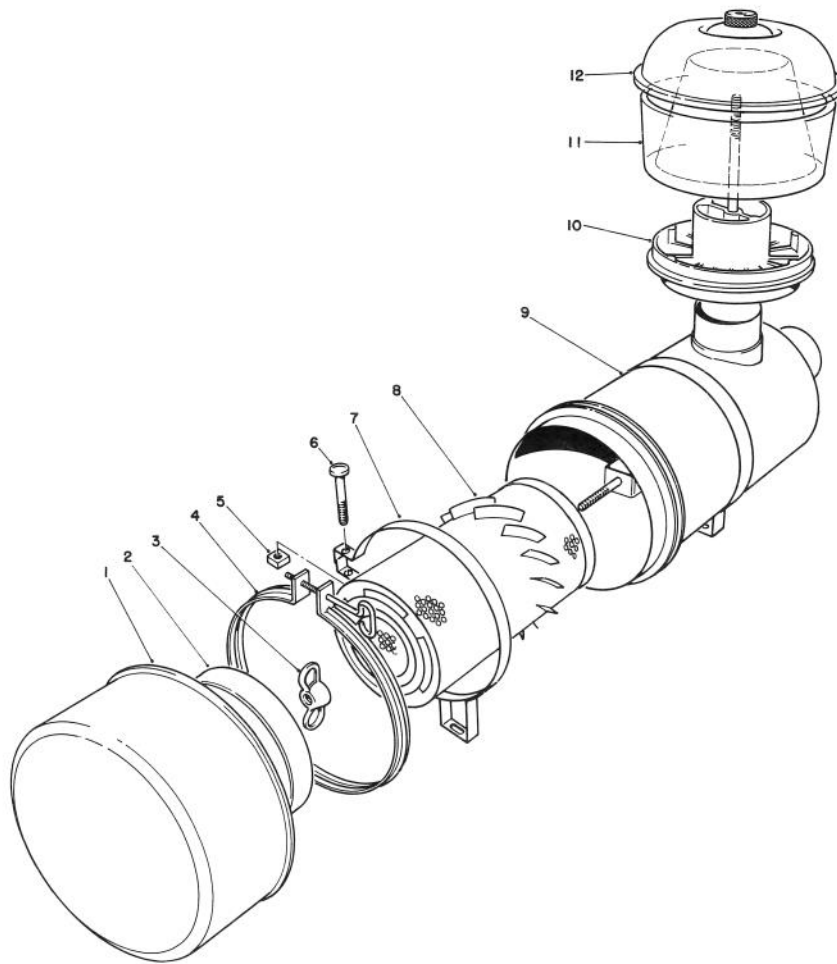
T-1056

ENGINE COMPONENTS ASSEMBLY

Ref. No.	Part No.	Description	No. Used	Ref. No.	Part No.	Description	No. Used
1	75-2460	Hose - Air Cleaner	1	17	75-1370	Battery Cable Assy. (+) (Incl. Ref. #18)	1
2	2412-42	Clamp - Hose	1	*	75-5730	Insulator - Terminal (Starter End)	1
‡3	67-1700	Decal - Starting Fluid (English)	1	18	28-1280	Boot - Cable	1
4	48-4220	Air Cleaner Assembly (Incl. Ref. #5)	1	19	323-9	Screw - Cap Hex. Hd.	1
5	27-7160	Decal - Instructions	1	20	3253-21	Washer - Lock	1
6	63-7380	Expansion Tank Assembly (Incl. Ref. #7)	1	21	3256-24	Washer - Flat	1
7	71-1520	Cap - Expansion Tank	1	22	66-2490	Clamp - Battery	1
8	2412-108	Clamp - Hose	1	23	75-4250	Bracket - Expansion Tank	1
9	75-2850	Hose - Expansion Tank	1	24	321-6	Screw - Cap Hex. Hd.	2
10	3296-42	Nut - Lock	3	25	75-3140	Bracket - Air Cleaner	1
11	2412-93	Clamp - R	1	26	3296-29	Nut - Lock	4
12	321-2	Screw - Cap Hex. Hd.	1	27	3256-23	Washer - Flat	2
13	63-8300	Fuel Filter Assembly	1	28	322-3	Screw - Cap Hex. Hd.	6
15	322-4	Screw - Cap Hex. Hd.	3	29	32128-25	Nut - Lock	3
16		Battery (Type 26, 530 Amp.)	1	30	66-2330	Base - Battery	1

*Not Illustrated

‡For different language versions of this part, see International Decal Cross Reference.



T-0126

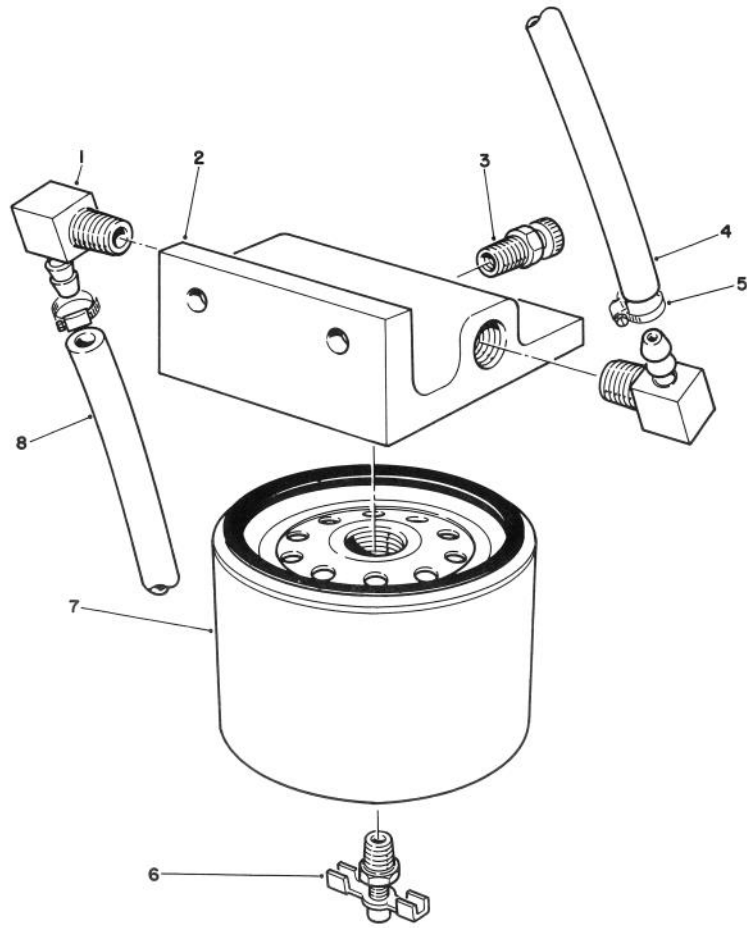
AIR CLEANER ASSEMBLY

Ref. No.	Part No.	Description	No. Used
1	27-7150	Cup Assembly	1
2	27-7140	Baffle	1
3	27-7120	Nut	1
4	27-7130	Clamp Assembly	1
5	32107-11	Nut-Square	2
6	3258-19	Screw-Machine	2
7	27-7170	Band Assembly (Incl. Ref. #5 & 6)	2
8	27-7110	Element Assembly	1

Ref. No.	Part No.	Description	No. Used
9†		Housing	1
10	62-6300	Sleeve Assembly	1
11	33-1270	Bowl	1
12	33-1260	Cover Assembly	1
*	48-7430	Pre-Cleaner Assembly (Incl. Ref. #10-12)	1
*	48-4220	Air Filter Assembly (Incl. Ref. #1-4, 8-9)	1
*	27-7220	Air Cleaner Soap	1

*Not Illustrated

†Not Serviceable Separately

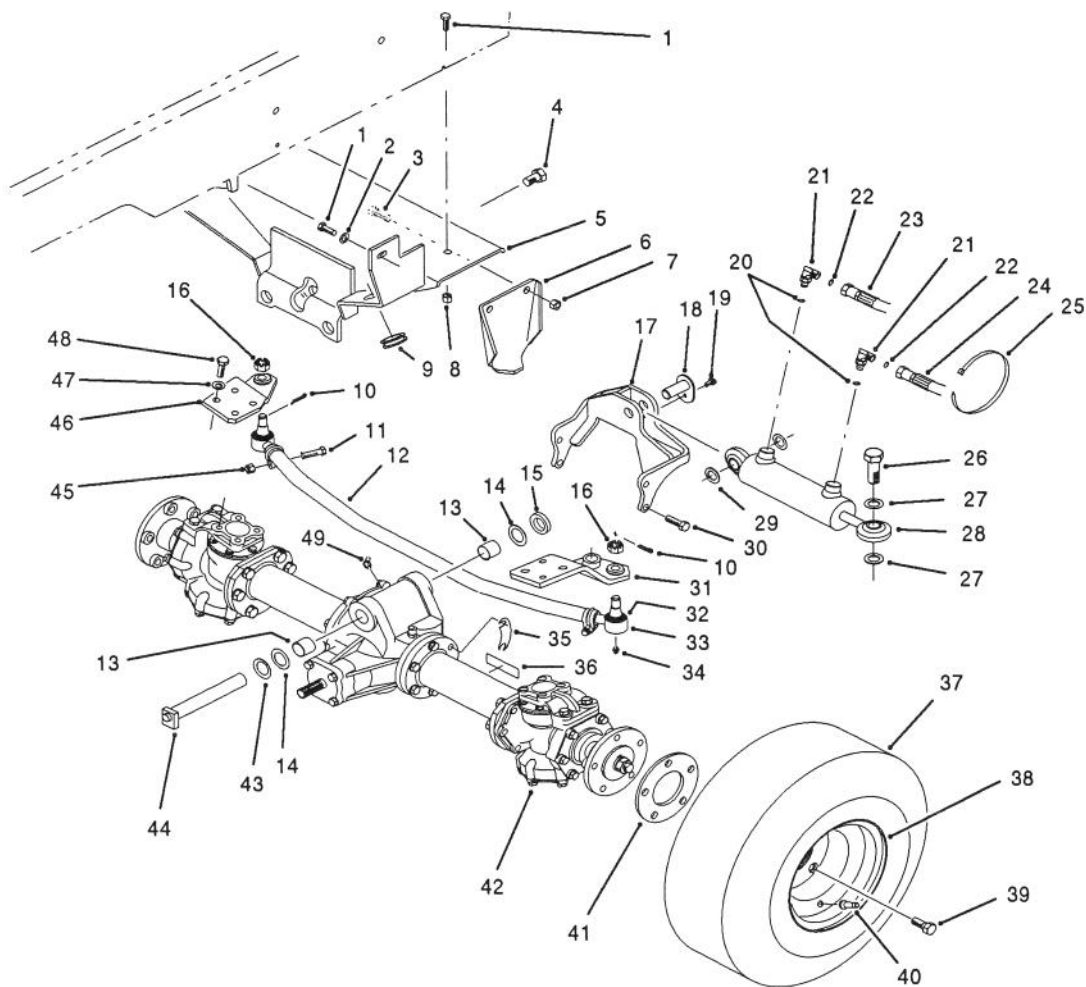


T-1030

FUEL FILTER ASSEMBLY

Ref. No.	Part No.	Description	No. Used	Ref. No.	Part No.	Description	No. Used
1	353-781	Fitting-Elbow	2	5	2412-108	Clamp-Hose	2
2	63-8280	Head-Filter, Fuel (Incl. Ref. #3)	1	6	63-8310	Valve-Drain	1
3	63-8290	Vent-Air	1	7	63-8300	Element-Spin-On (Incl. Ref. #6)	1
4	63-7620	Hose-Fuel	1	8	63-7610	Hose-Fuel	1

*Not Illustrated



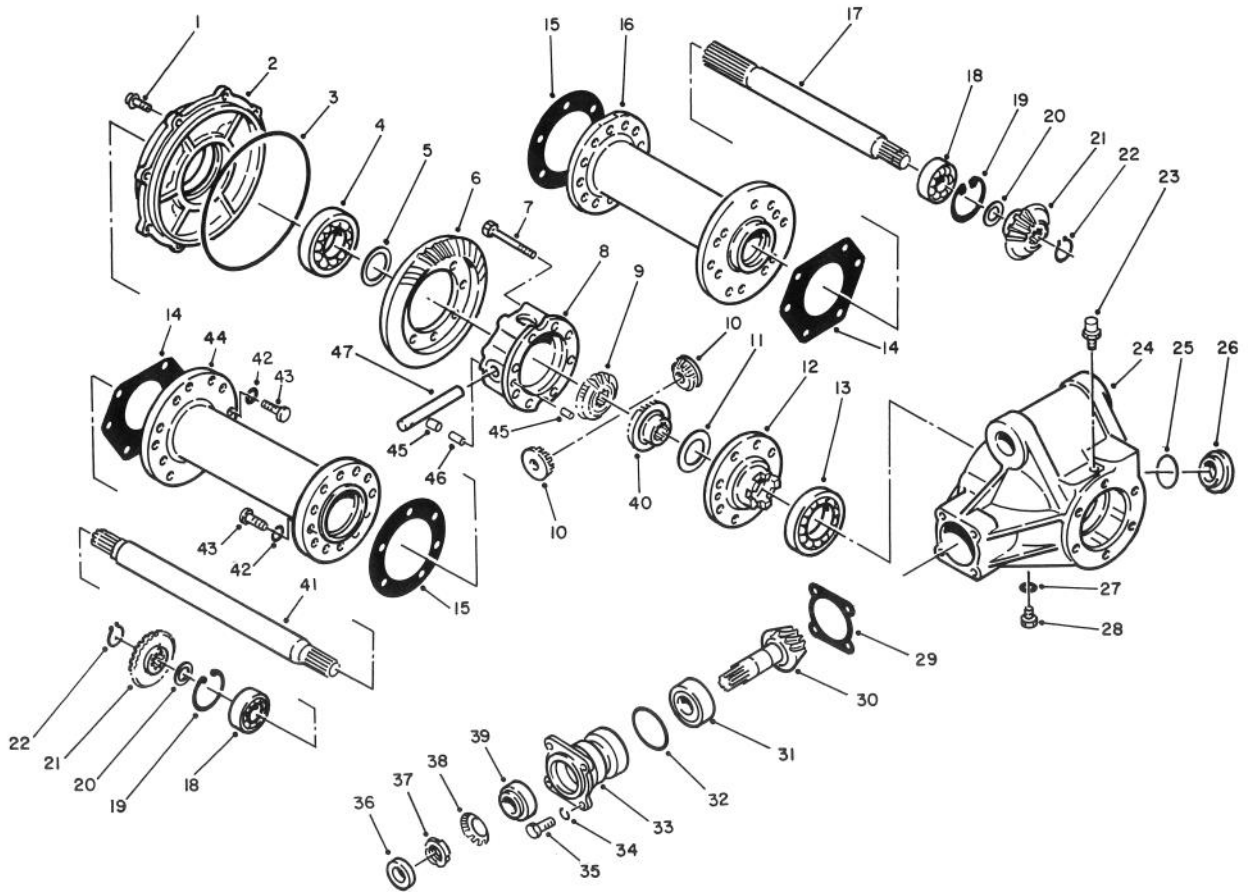
T-1325

REAR AXLE INSTALLATION ASSEMBLY

Ref. No.	Part No.	Description	No. Used
1	323-6	Screw - Cap Hex. Hd.	4
2	3256-24	Washer - Flat	2
3	325-5	Screw - Cap Hex. Hd.	4
4	327-2	Screw - Cap Hex. Hd.	1
5	75-1100	Support - Axle	1
6	83-5110	Stop - Axle	2
7	3296-23	Nut - Lock	4
8	3296-39	Nut - Lock	2
9	237-165	Grommet	2
10	3272-11	Pin - Cotter	1
11	323-9	Screw - Cap Hex. Hd.	2
12	83-5020	Tube & Clamp Assembly	1
13	67-1750	Bushing - Sleeve	2
14	56-2460	Washer - Flat	2
15	83-5040	Washer	1
16	32136-13	Nut - Slotted	2
17	83-5100	Support - Cylinder	1
18	83-5150	Pin - Cylinder	1
19	32144-4	Screw - Self Tapping	1
20	237-78	Seal - O-Ring	2
21	340-132	Fitting - Hydraulic 90° (Incl. Ref. #20 & 22)	2
22	237-21	Seal - O-Ring	2
23	75-6220	Hose - Hydraulic	1
24	75-6230	Hose - Hydraulic	1
25	3290-378	Tie - Cable	1
26	82-6910	Screw - Cap Hex. Hd.	4

Ref. No.	Part No.	Description	No. Used
27	67-9410	Washer - Thrust	2
28	83-5030	Hydraulic Cylinder Assembly	1
29	83-5160	Shim	2
30	48-9480	Screw - Cap Hex. Hd.	4
31	83-4930	Arm - Steering L.H.	1
32	71-4760	Seal - Tie Rod End	2
33	71-4740	Tie Rod End Assembly (Incl. Ref. #16, 32 & 34)	2
34	302-55	Fitting - Grease	2
35	83-5180	Shim - Axle	2
36	70-2560	Decal - Gear Lube	1
37	231-135	Tire	2
38	217-121	Rim	2
39	71-4450	Bolt - Wheel	10
40	232-35	Valve - Stem	2
41	83-7460	Spacer - Wheel	2
42	68-6821	Axle Assembly	1
43	5-1226	Washer	2
44	75-4180	Pin - Rear Axle	1
45	3296-39	Nut - Lock	2
46	83-4950	Arm - Steering R.H.	1
47	48-9220	Washer - Flat	8
48	48-7780	Screw - Cap Hex. Hd.	8
49	302-11	Fitting - Grease	1
*	83-5010	Tie Rod Assembly (Incl. Ref. #11, 12, 16, 32-34 & 45)	1

*Not Illustrated

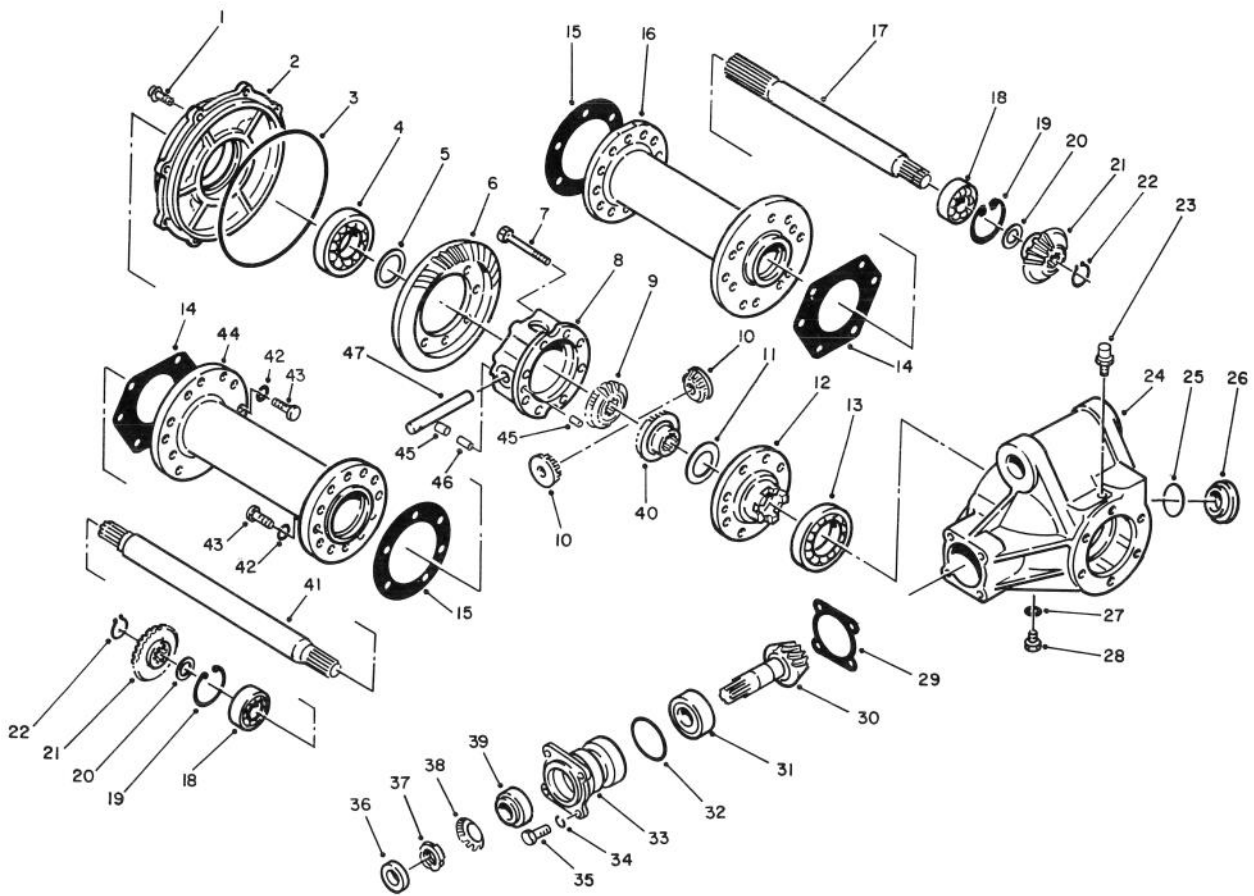


T-1305

REAR AXLE ASSEMBLY NO. 68-6821

Ref. No.	Part No.	Description	No. Used
1	72-5800	Bolt	8
2	72-4880	Cover	1
3	72-4890	O-Ring	1
4	251-344	Bearing - Ball	1
5	72-4960	Shim .1 mm	1
*	72-4970	Shim .15 mm	1
*	72-4980	Shim .5 mm	1
*	72-4990	Shim .8 mm	1
*	72-5000	Shim 1.0 mm	1
*	72-5010	Shim 1.2 mm	1
6		Gear - Bevel	1
7	72-5810	Bolt	8
8	72-4900	Case - Differential	1
9	72-4930	Gear - Side, Differential	1
10	72-4950	Gear - Pinion, Differential	2
11	72-5040	Washer - Gear, Diff.	1
12	72-4910	Flange - Case, Diff.	1
13	251-345	Bearing - Ball	1
14	72-5080	Gasket	2
15	72-5070	Gasket	2
16	83-5270	Tube - Axle, R.H.	1
17	83-5280	Axle - R.H.	1
18	251-350	Bearing - Ball	2
19	72-5360	Ring - Retaining	2
20	72-5100	Spacer	2
21	72-5090	Gear - Bevel	2

Ref. No.	Part No.	Description	No. Used
22	72-5370	Ring - Retaining	2
23	72-5130	Vent	1
24	72-4870	Case - Differential	1
25	72-5140	O-Ring	1
26	72-5150	Plug	1
27	72-5840	Gasket	1
28	72-5820	Plug	1
29	72-5160	Shim .1mm	1
*	72-5170	Shim .15 mm	1
*	72-5180	Shim .5 mm	1
*	72-5190	Shim .8 mm	1
*	72-5200	Shim 1.0 mm	1
*	72-5210	Shim 1.2 mm	1
30		Gear - Pinion	1
31	254-108	Bearing - Roller, Tapered	1
32	72-5460	O-Ring	1
33	83-5350	Case - Bearing	1
34	42-9850	Washer - Lock M8	8
35	48-9460	Bolt - Hex. Hd.	4
36	83-5360	Seal - Oil	1
37	83-5340	Nut - Bearing	1
38	83-5330	Washer - Bearing	1
39	254-109	Bearing - Roller, Tapered	1
40	72-4940	Gear - Side, Differential	1
41	83-5310	Axle - L.H.	1
42	42-9600	Washer - Lock M10	24

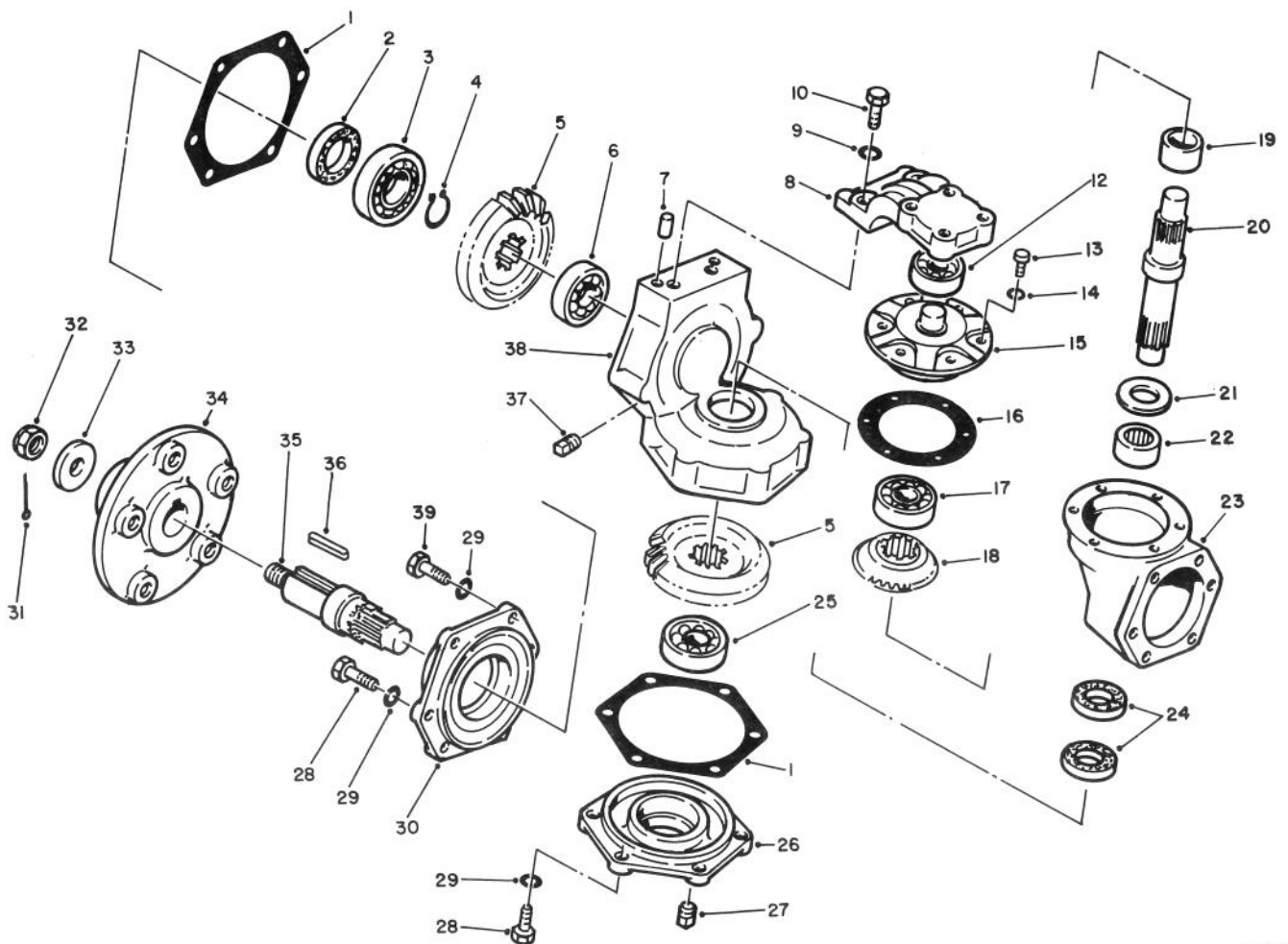


T-1305

REAR AXLE ASSEMBLY NO. 68-6821 (Continued)

Ref. No.	Part No.	Description	No. Used
43	48-9470	Bolt - M10 x 30	24
44	83-5290	Tube - Axle, L.H.	1
45	72-5030	Pin - Dowel	2
46	72-5440	Pin -Spring	1

Ref. No.	Part No.	Description	No. Used
47	72-5020	Shaft - Pinion	1
*	83-5370	Ring & Pinion Assembly (Incl. Ref.#6 & 30)	1

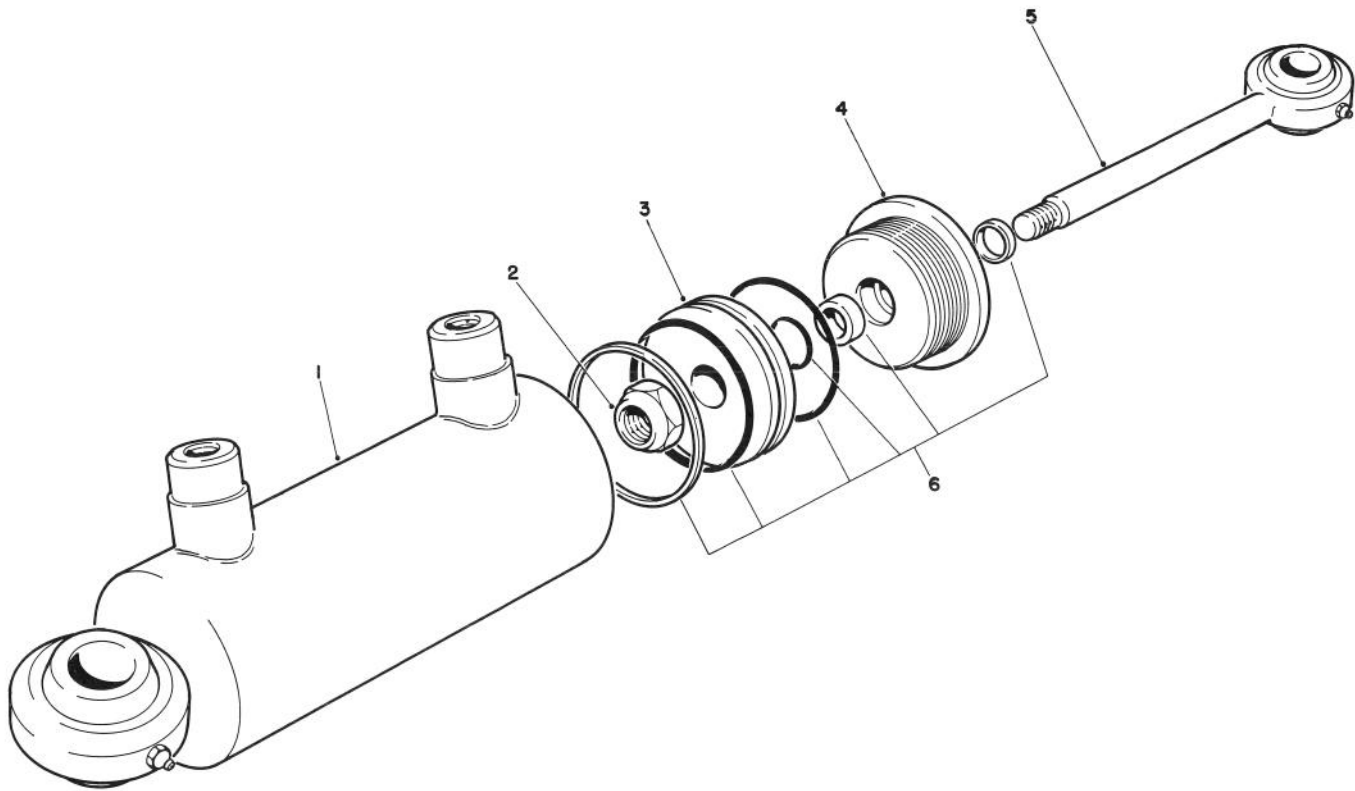


T-0912

REAR AXLE ASSEMBLY NO. 68-6821 (Continued)

Ref. No.	Part No.	Description	No. Used
1	72-5620	Gasket	4
2	72-5740	Seal - Oil	2
3	251-348	Bearing - Ball	2
4	72-5720	Ring - Retaining	2
5	72-5580	Gear - Bevel	4
6	251-8	Bearing - Ball	2
7	72-5670	Pin - Dowel	4
8	77-2980	Arm - Knuckle	2
9	42-9600	Washer - Lock	28
10	48-9470	Screw - Cap, M10 x 30	4
12	251-347	Bearing - Ball	2
13	72-5790	Screw - Cap, M6 x 18	12
14	43-5930	Washer - Lock	12
15	72-5590	Retainer - Bearing	2
16	72-5630	Gasket	2
17	251-349	Bearing - Ball	2
18	72-5090	Gear - Bevel	2
19	72-5680	Spacer	2
20	72-5560	Pin - King, Knuckle	2

Ref. No.	Part No.	Description	No. Used
21	72-5600	Washer - Thrust	2
22	72-5640	Bearing - Needle	2
23	72-5510	Gear Box - Axle	2
24	72-5730	Seal - Oil	4
25	251-263	Bearing - Ball	2
26	72-5550	Cover	2
27	281-10	Plug - Socket, Hex.	2
28	48-9460	Screw - Cap, M8 x 25	20
29	42-9850	Washer - Lock, M8	28
30	72-5540	Case - Knuckle	2
31	3272-17	Pin - Cotter	2
32	72-5770	Nut - Castle	2
33	72-5660	Washer - Shaft, Wheel	2
34	72-5650	Hub - Wheel	2
35	72-5570	Shaft - Axle, Outer	2
36	72-5780	Key	2
37	281-7	Plug - Pipe, Square Hd.	2
38	72-5520	Case - Knuckle	2
39	48-7710	Screw - Cap, M8 x 20	4



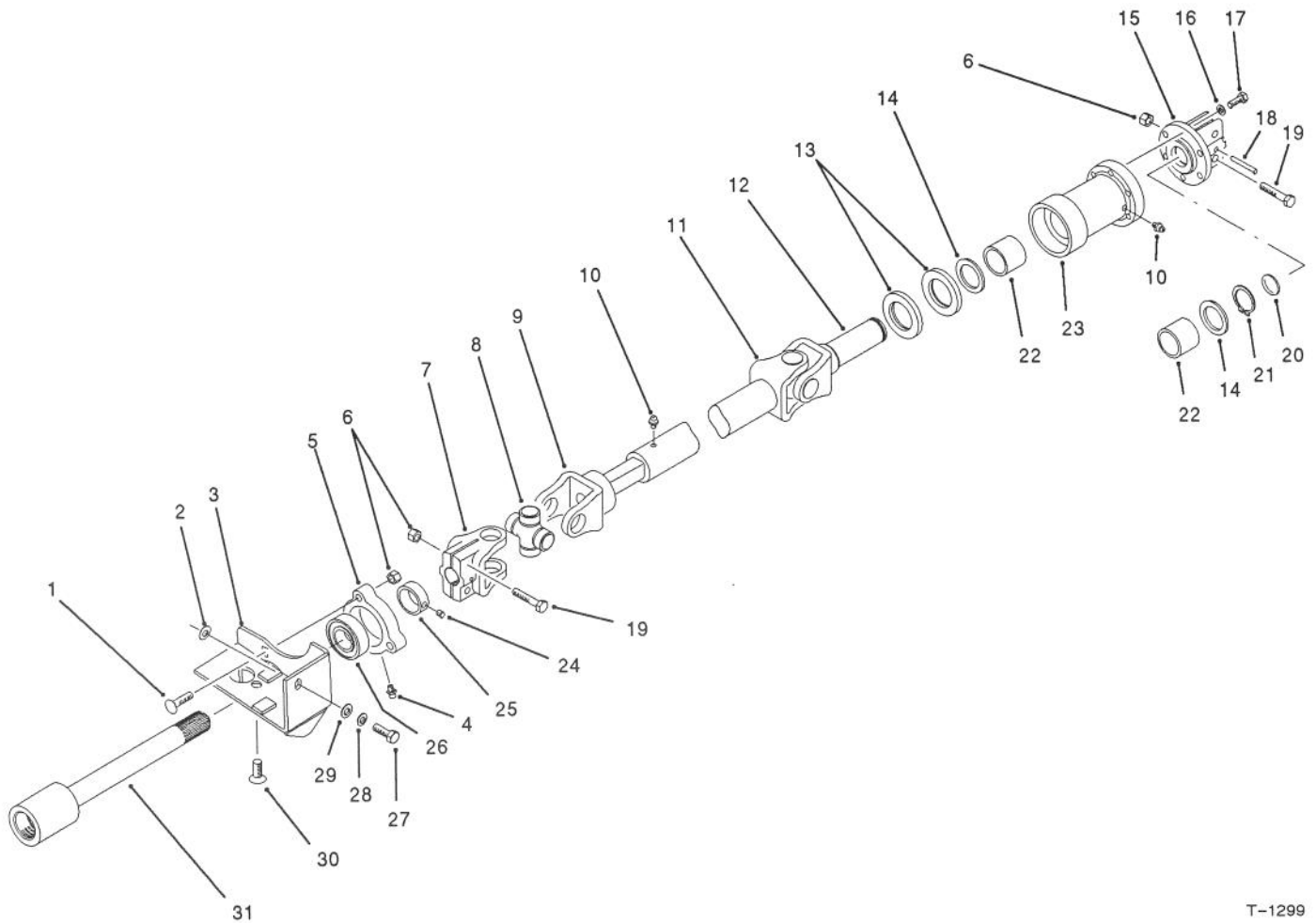
T-0996

HYDRAULIC CYLINDER ASSEMBLY NO. 83-5030

Ref. No.	Part No.	Description	No. Used
†1		Barrel Assembly	1
2	75-1210	Nut - Lock	1
3	75-1220	Piston	1

Ref. No.	Part No.	Description	No. Used
4	75-1260	Head - Internal	1
5	83-5380	Piston Rod Assembly	1
6	75-1250	Seal Kit	1

†Not Serviced Separately



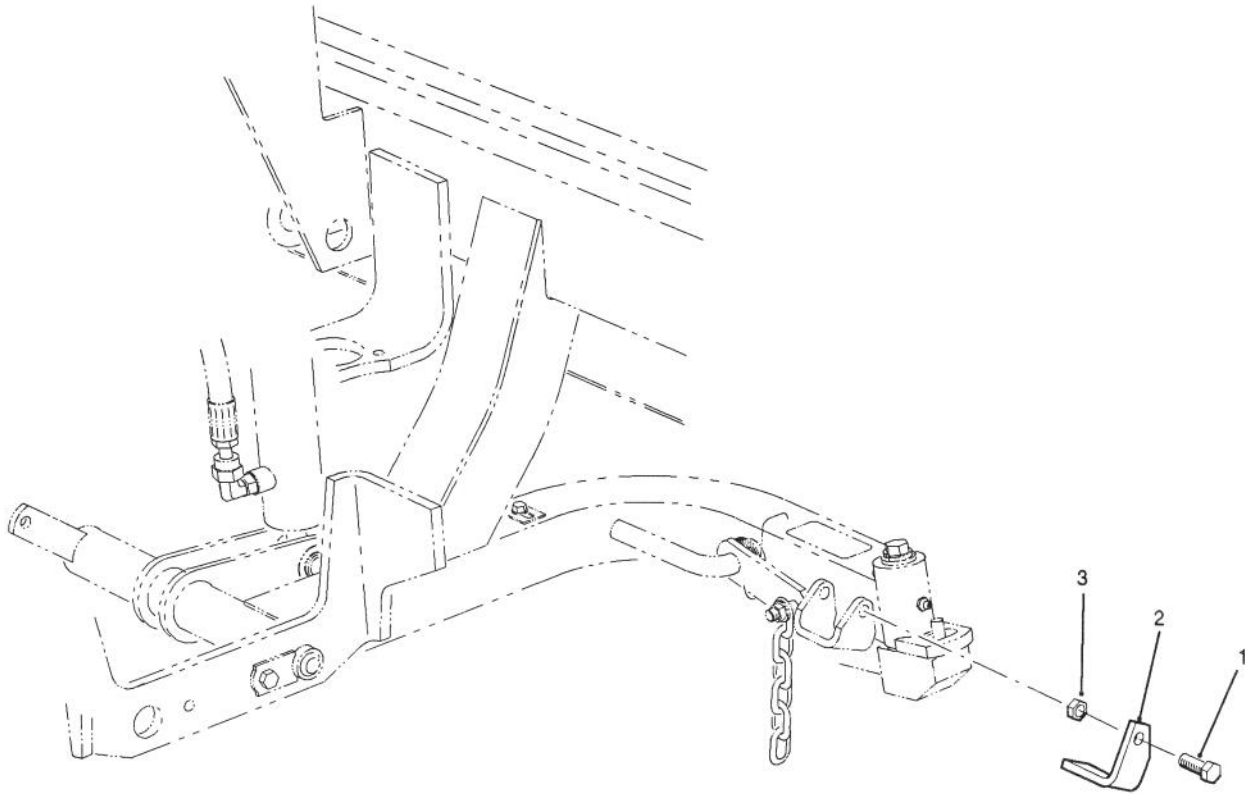
T-1299

DRIVE SHAFT ASSEMBLY

Ref. No.	Part No.	Description	No. Used
1	3230-3	Bolt - Carriage	3
2	83-7470	Shim	2
3	83-4970	Bracket - Bearing	1
4	302-5	Fitting - Grease	1
5	76-2460	Bearing Assembly (Incl. Ref. #4 & 24-26)	1
6	3296-29	Nut - Lock	7
7	54-9090	Yoke - End	1
8	54-9180	Kit - Universal Joint	2
9	72-3420	Shaft - Slip Yoke	1
10	302-58	Fitting - Grease	2
11	83-5260	Tube - Slip Yoke	1
12	72-3440	Yoke - Shaft	1
13	253-155	Seal	2
14	71-4590	Washer - Thrust	2
15	76-4690	Axle Coupling Assembly (Incl. Ref. #6 & 19)	1
16	3253-3	Washer - Lock	6

Ref. No.	Part No.	Description	No. Used
17	3274-64	Screw - Cap Hex. Hd.	6
18	32121-34	Pin - Roll	1
19	322-8	Screw - Cap Hex. Hd.	4
20	284-3	Plug - Welch	1
21	32151-87	Ring - Retaining	1
22	71-4580	Clutch - Roller	2
23	71-4570	Housing - Clutch	1
24	3245-35	Screw - Set	1
25	251-77	Collar - Locking	1
26	251-337	Bearing - Ball	1
27	48-9460	Screw - Cap Hex. Hd.	1
28	42-9850	Washer - Lock	1
29	48-8030	Washer - Flat	1
30	3274-34	Screw - Socket Flat Hd.	1
31	83-4900	Shaft - Traction	1
*	83-5190	Drive Shaft Assembly (Incl. Ref. #7-12)	1

*Not Illustrated

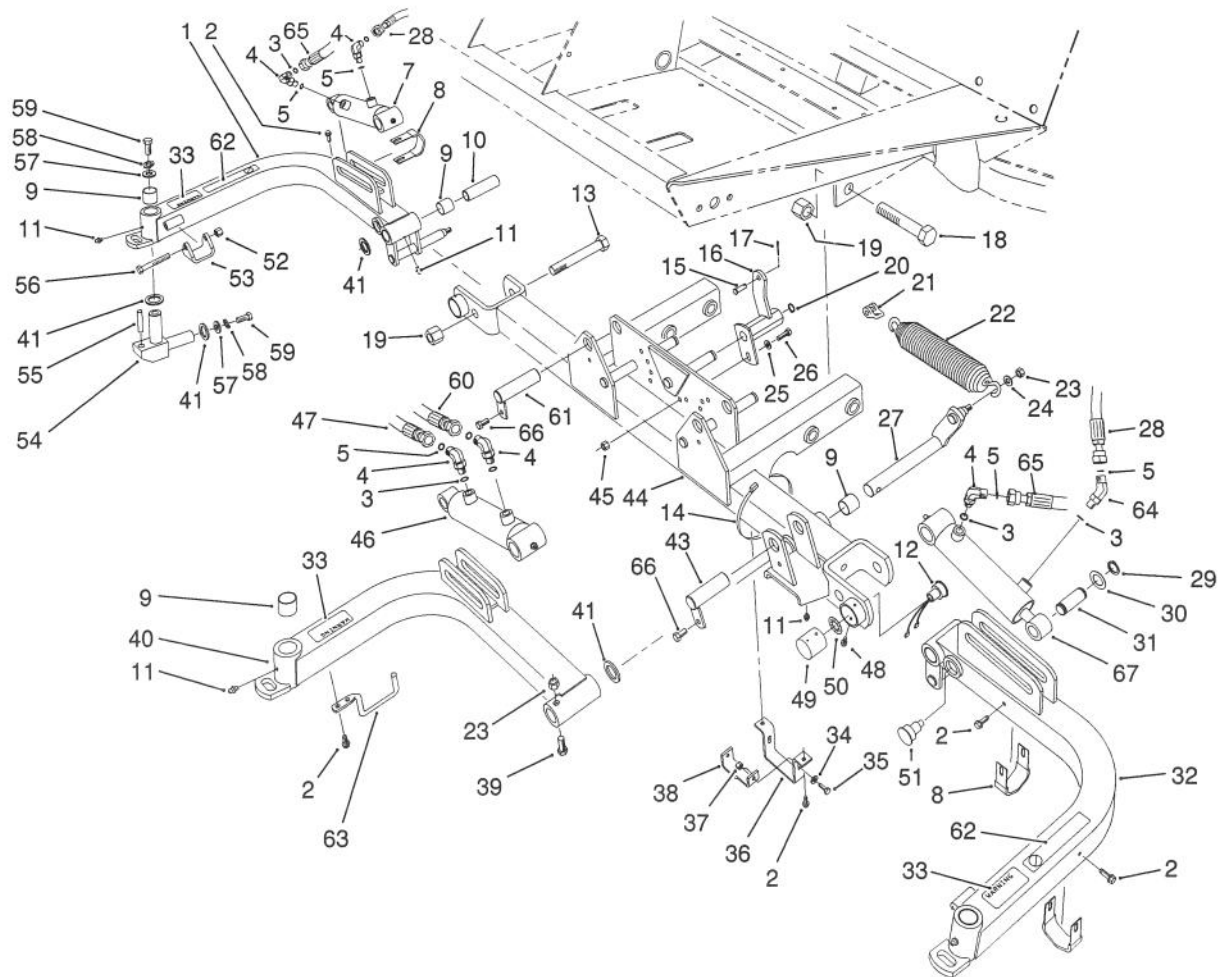


T-1300

CUTTING UNIT STOP ASSEMBLY

Ref. No.	Part No.	Description	No. Used
1	323-6	Screw - Cap Hex. Hd.	1
2	83-5170	Stop - Cutting Unit	1

Ref. No.	Part No.	Description	No. Used
3	3296-39	Nut - Lock	1



T-1059

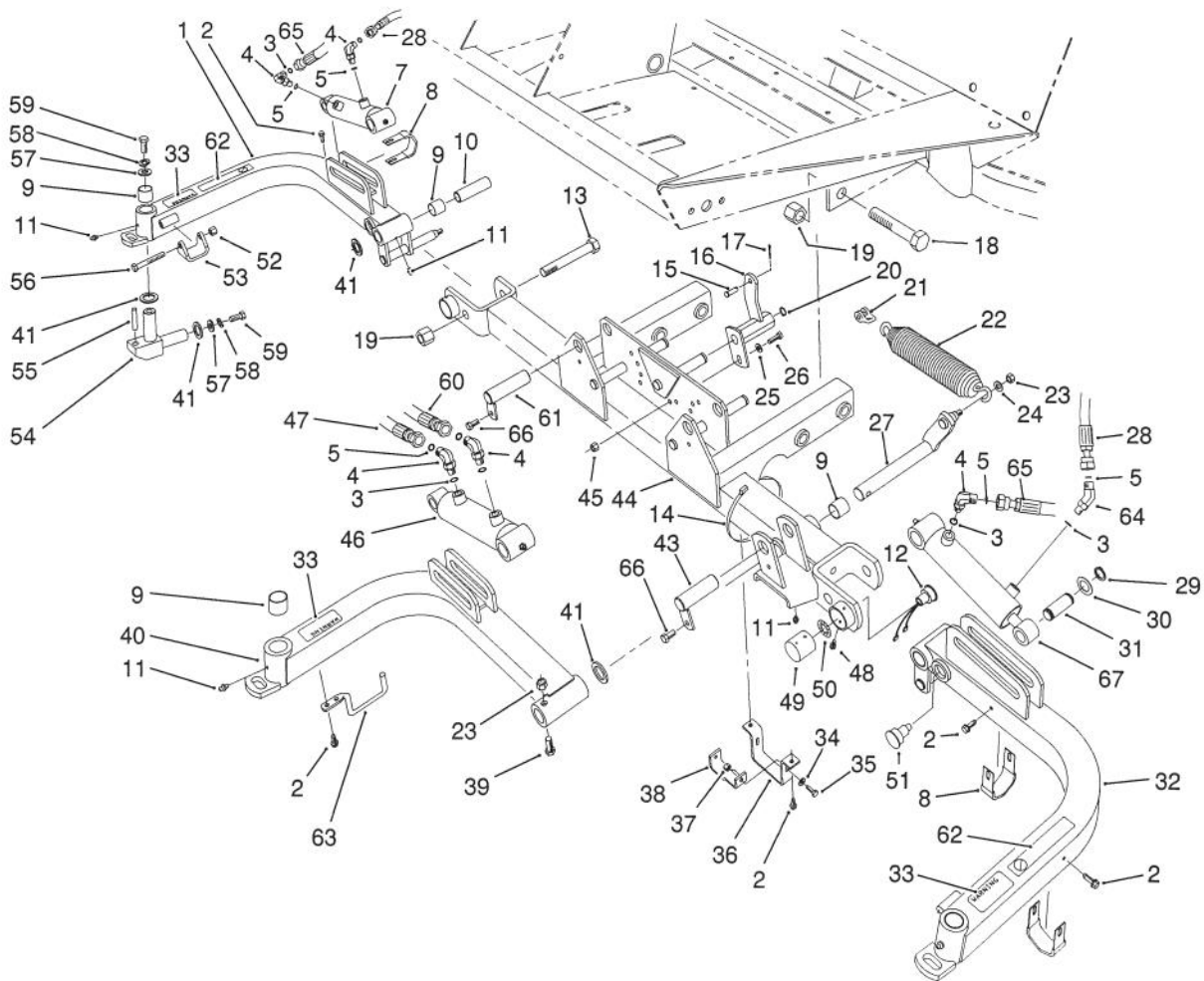
FRONT LIFT ARMS ASSEMBLY

Ref. No.	Part No.	Description	No. Used
1	75-5450	Lift Arm Assembly R.H. (Incl. Ref. #9 & 11)	1
2	49-2040	Screw - Thread Forming	10
3	237-78	Seal - O-Ring	6
4	340-132	Fitting - Hydraulic 90° (Incl. Ref. #3 & 5)	5
5	237-21	Seal - O-Ring	6
6	75-5880	Hose - Hydraulic	1
7	83-7480	Hydraulic Cylinder Assembly	3
8	75-5330	Clamp - Hose	1
9	67-1750	Bushing - Sleeve	12
10	75-5340	Spacer - Pivot	2
11	302-5	Fitting - Grease	6
12	75-6300	Sensor - Reed Switch	1
13	328-9	Screw - Cap Hex. Hd.	2
14	3290-379	Tie - Cable	3
15	283-6	Pin - Clevis	3
16	75-5210	Bracket - Spring Center	1
*	75-5200	Bracket - Spring R.H.	1
*	75-5220	Bracket - Spring L.H.	1
17	3272-10	Pin - Cotter	3
18	328-7	Screw - Cap Hex. Hd.	4
19	3296-51	Nut - Lock	6

Ref. No.	Part No.	Description	No. Used
20	32151-48	Ring - Retaining	3
21	282-4	Clevis - Spring	3
22	5-0743	Spring - Extension	3
23	3296-44	Nut - Lock	4
24	3256-24	Washer - Flat	3
25	3256-23	Washer - Flat	3
26	322-5	Screw - Cap Hex. Hd.	3
27	75-4550	Shaft - Center Arm Pivot	1
28	75-5890	Hose - Hydraulic	2
29	32120-93	Ring - Retaining	6
30	3-6498	Washer - Thrust	6
31	75-5350	Pin - Cylinder Rod End	3
32	75-5460	Lift Arm Assembly L.H. (Incl. Ref. #9 & 11)	1
‡33	55-4300	Decal - Warning (English)	3
34	3256-22	Washer - Flat	2
35	321-4	Screw - Cap Hex. Hd.	2
36	75-5370	Mount - Clamp	1
37	3296-42	Nut - Lock	2
38	75-5380	Bracket - Clamp	1
39	323-10	Screw - Cap Hex. Hd.	1
40	75-5420	Lift Arm Assembly Center (Incl. Ref. #9 & 11)	1

*Not Illustrated

‡For different language versions of this part, see International Decal Cross Reference.

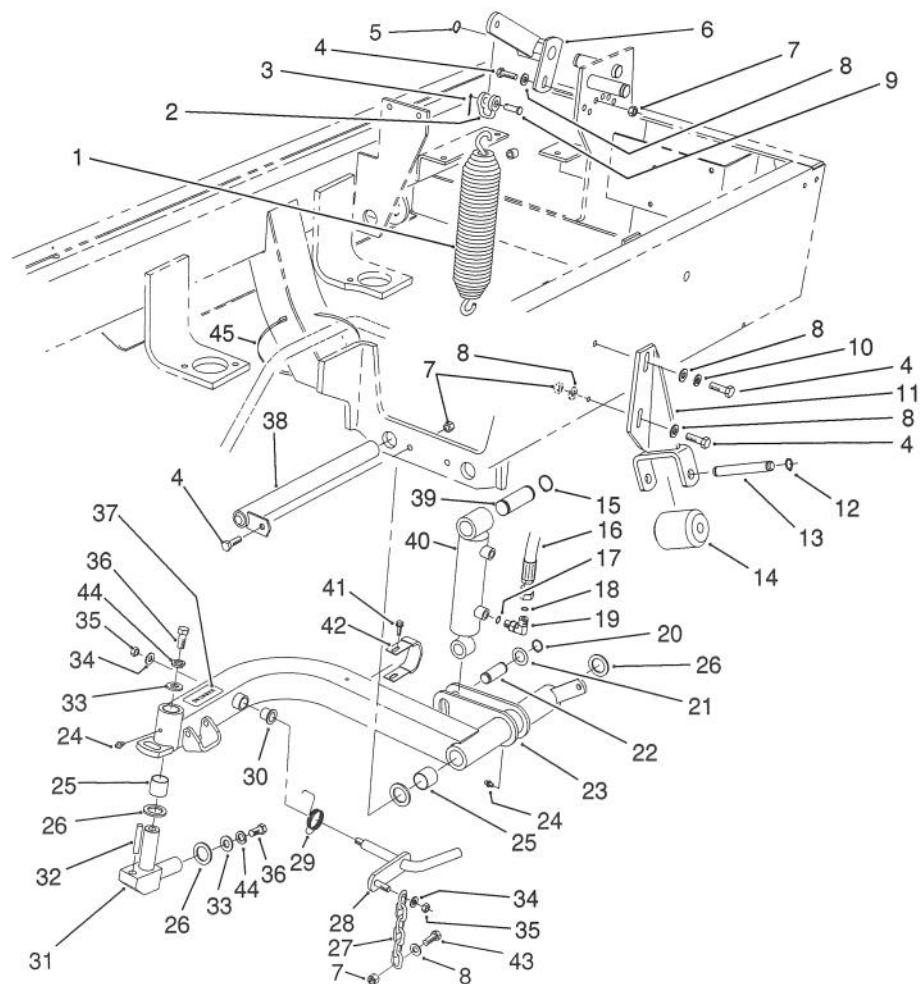


T-1059

FRONT LIFT ARMS ASSEMBLY (Continued)

Ref. No.	Part No.	Description	No. Used	Ref. No.	Part No.	Description	No. Used
41	256-115	Washer - Thrust	11	55	32121-122	Pin - Roll	3
42	32151-36	Ring - Retaining	6	56	323-12	Screw - Cap Hex. Hd.	2
43	83-6790	Pin - Cylinder (Short)	1	57	3256-6	Washer - Flat	6
44	75-3040	Carrier Frame Assembly (Incl. Ref. #9 & 11)	1	58	3253-7	Washer - Lock	6
45	3296-29	Nut - Lock	3	59	325-4	Screw - Cap Hex. Hd.	6
46	75-0780	Hydraulic Cylinder Assembly	1	60	75-5910	Hose - Hydraulic	1
47	75-5900	Hose - Hydraulic	1	61	83-6780	Pin - Cylinder (Long)	2
48	32104-76	Screw - Thread Forming	2	‡62	36-3400	Decal - No Step (English)	2
49	75-6370	Cover - Sensor	1	63	75-5300	Rod - Hose Support	1
50	32151-94	Ring - Retaining	1	64	340-103	Fitting - Hydraulic 45° (Incl. Ref. #3 & 4)	1
51	75-6310	Magnet - Reed Switch	1	65	82-6490	Hose - Hydraulic	1
52	3296-39	Nut - Lock	2	66	32144-14	Screw - Self Tapping	3
53	75-5410	Bracket - Arm	2	67	83-7490	Hydraulic Cylinder Assy.	1
54	75-3010	Joint - Arm	3				

‡For different language versions of this part, see International Decal Cross Reference.



T-1060

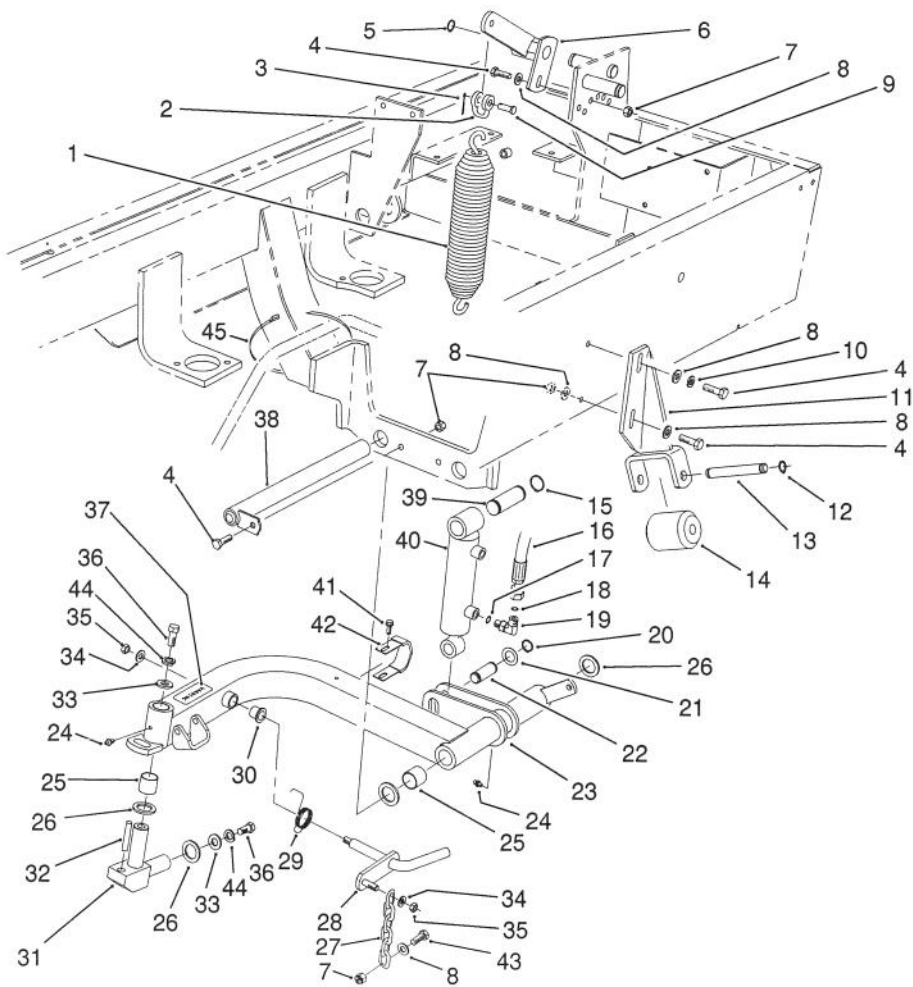
REAR LIFT ARMS ASSEMBLY

Ref. No.	Part No.	Description	No. Used
1	5-0743	Spring - Counterbalance	2
2	282-4	Clevis - Spring	2
3	3272-10	Pin - Cotter	2
4	322-5	Screw - Cap Hex. Hd.	8
5	32151-48	Ring - Retaining	2
6	75-4690	Bracket - Spring Rear R.H.	1
*	75-4650	Bracket - Spring Rear L.H.	1
7	3296-29	Nut - Lock	6
8	3256-23	Washer - Flat	10
9	283-6	Pin - Clevis	2
10	3253-4	Washer - Lock	2
11	75-3810	Bracket - Roller	2
12	32151-61	Ring - Retaining	4
13	75-5400	Shaft - Roller	2
14	75-5390	Roller	2
15	32151-36	Ring - Retaining	4
16	75-6180	Hose - Hydraulic R.H.	2
*	75-6070	Hose - Hydraulic L.H. (Cap)	1
*	75-6080	Hose - Hydraulic L.H. (Rod)	1
17	237-78	Seal - O-Ring	4
18	237-21	Seal - O-Ring	4
19	340-132	Fitting - Hydraulic 90° (Incl. Ref. #17 & 18)	4

Ref. No.	Part No.	Description	No. Used
20	32120-93	Ring - Retaining	4
21	3-6498	Washer - Thrust	4
22	75-5350	Pin - Cylinder Rod End	2
23	75-5440	Lift Arm Assy. Rear R.H. (Incl. Ref. #24, 25 & 30)	1
*	75-5430	Lift Arm Assy. Rear L.H. (Incl. Ref. #24, 25 & 30)	1
24	302-5	Fitting - Grease	4
25	67-1750	Bushing - Sleeve	8
26	256-115	Washer - Thrust	6
27	5-1096	Chain - Cutting Unit	2
28	75-4590	Rod - Pivot	2
29	75-4520	Spring - Torsion R.H.	1
*	75-4530	Spring - Torsion L.H.	1
30	256-287	Bushing - Flange	4
31	75-3010	Joint - Arm	2
32	32121-122	Pin - Roll	2
33	3256-6	Washer - Flat	4
34	3256-24	Washer - Flat	4
35	3296-39	Nut - Lock	4
36	325-4	Screw - Cap Hex. Hd.	4
‡37	55-4300	Decal - Warning (English)	2
38	75-3750	Pin - Pivot	2

*Not Illustrated

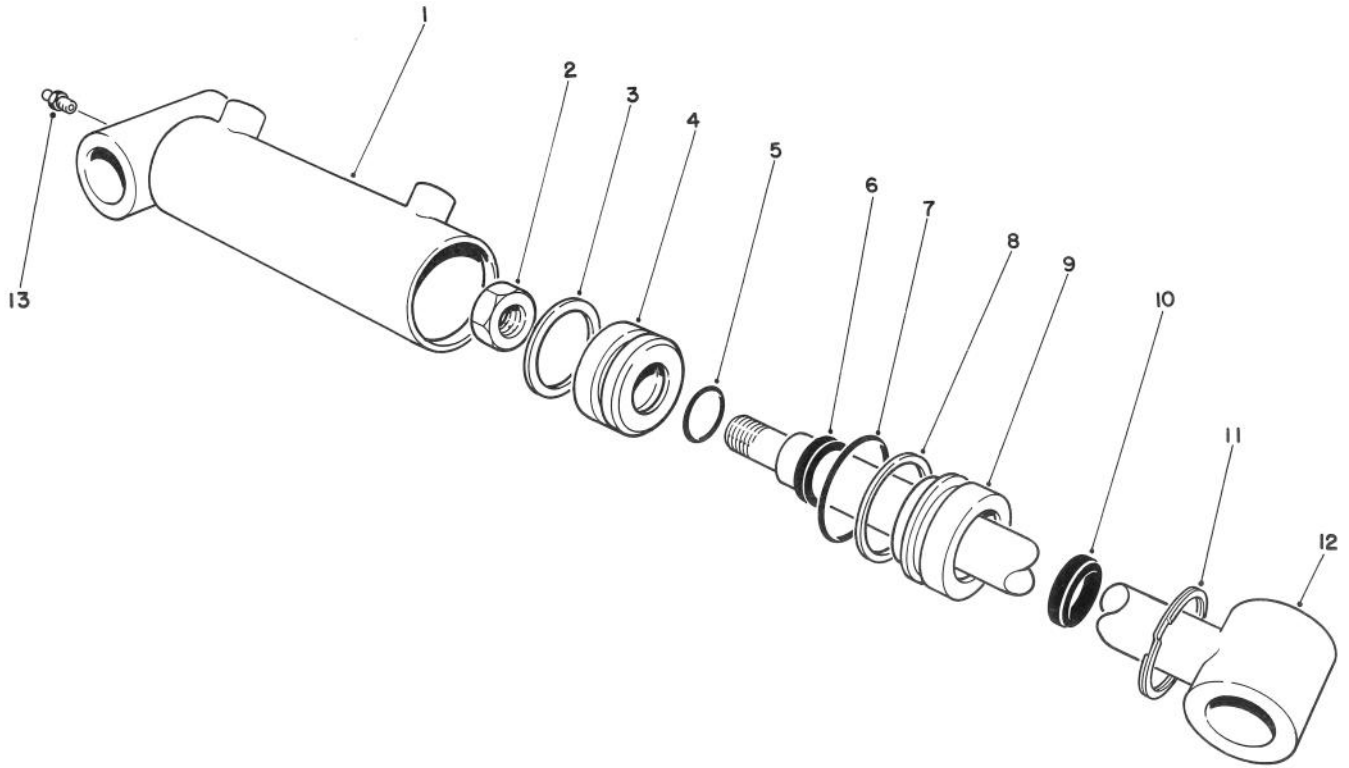
‡For different language versions of this part, see International Decal Cross Reference.



T-1060

REAR LIFT ARMS ASSEMBLY (Continued)

Ref. No.	Part No.	Description	No. Used	Ref. No.	Part No.	Description	No. Used
39	75-5360	Pin - Cylinder Cap End	2	43	322-12	Screw - Cap Hex. Hd.	2
40	75-0780	Hydraulic Cylinder Assy.	2	44	3253-7	Washer - Lock	4
41	49-2040	Screw - Thread Forming	4	45	3290-379	Tie - Cable	1
42	75-5330	Clamp - Hydraulic Line	2				



T-1033

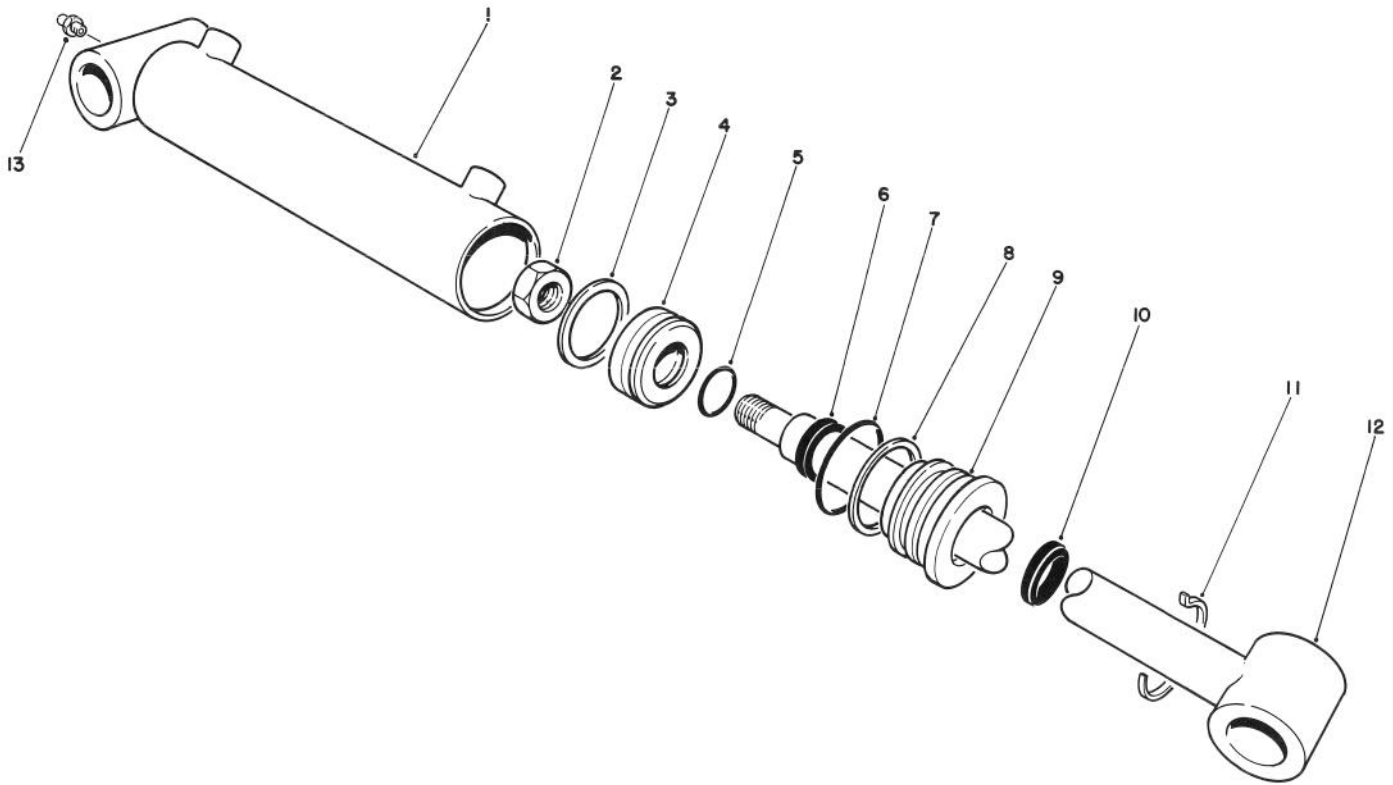
HYDRAULIC CYLINDER NO. 75-0780

Ref. No.	Part No.	Description	No. Used
†1		Barrel W.A.	1
2	32152-10	Nut	1
†3		Uni-ring	1
4	70-2780	Piston	1
†5		Seal - O-Ring	1
†6		Seal-Rod	1
†7		Seal - O-Ring	1
†8		Backup	1

Ref. No.	Part No.	Description	No. Used
9	75-2110	Head	1
†10		Seal-Dust	1
11	43-5220	Ring-Retaining	1
12	75-3790	Clevis W.A.	1
13	302-5	Fitting - Grease	1
*	75-2140	Seal repair Kit (Incl. Ref. #3, 5-8 & 10)	1

*Not Illustrated

†Not Serviced Separately



T-1032

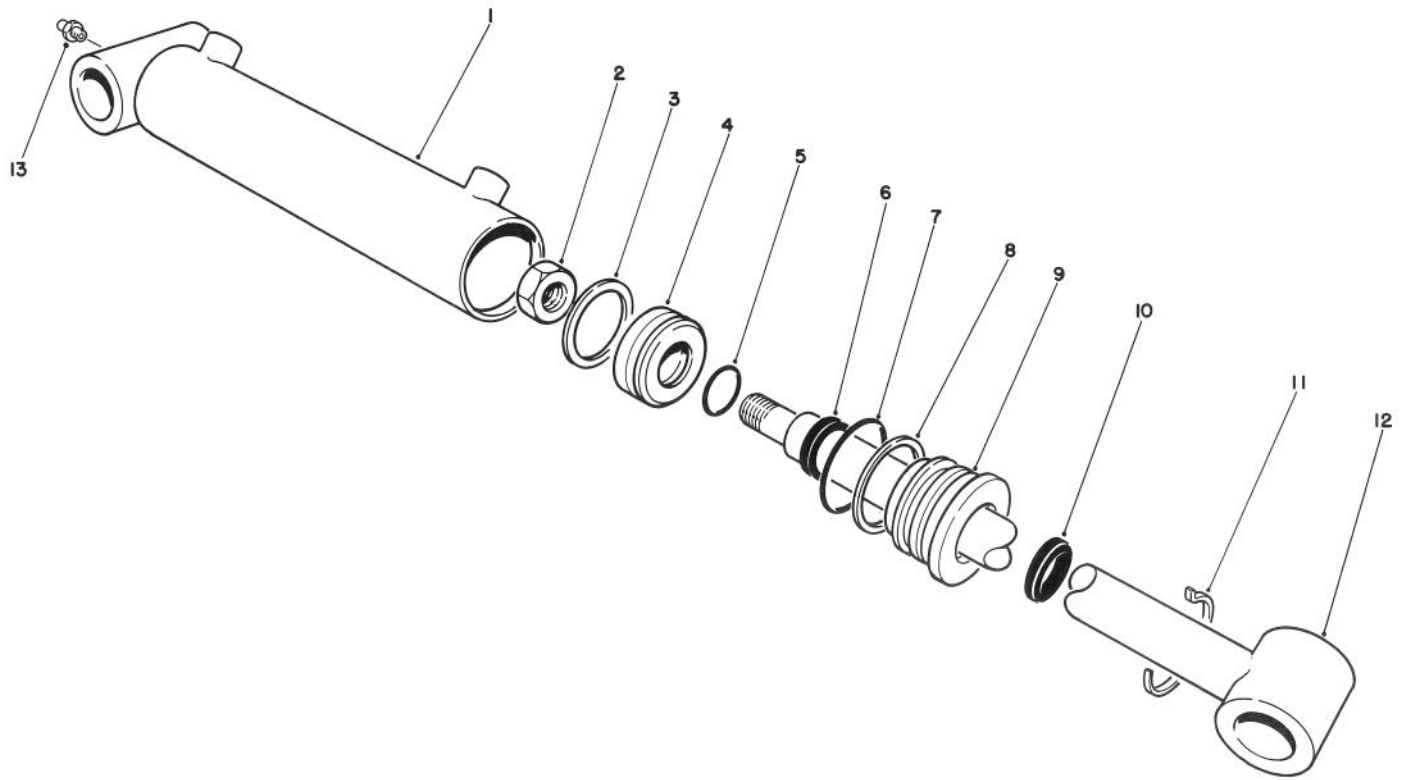
HYDRAULIC CYLINDER NO. 83-7480

Ref. No.	Part No.	Description	No. Used
†1		Barrel W.A.	1
2	32152-10	Nut	1
†3		Uni-ring	1
4	84-1710	Piston	1
†5		O-Ring	1
†6		Seal-Rod	1
†7		O-Ring	1
†8		Backup	1

Ref. No.	Part No.	Description	No. Used
9	84-1720	Head	1
†10		Seal-Dust	1
11	84-1730	Ring-Retaining	1
12	84-1740	Clevis W.A.	1
13	302-5	Fitting - Grease	1
*	84-1760	Seal repair Kit (Incl. Ref. #3, 5-8 & 10)	1

*Not Illustrated

†Not Serviced Separately



T-1032

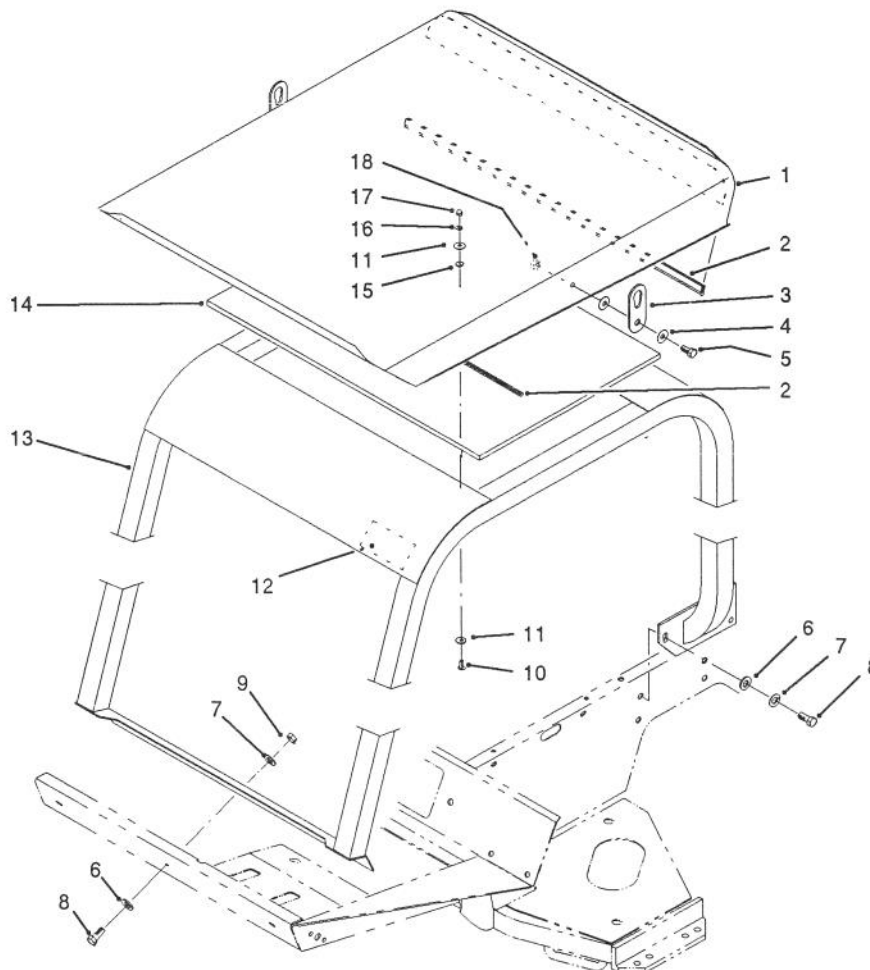
HYDRAULIC CYLINDER NO. 83-7490

Ref. No.	Part No.	Description	No. Used
†1		Barrel W.A.	1
2	32152-10	Nut	1
†3		Uni-ring	1
4	70-2780	Piston	1
†5		O-Ring	1
†6		Seal-Rod	1
†7		O-Ring	1
†8		Backup	1

Ref. No.	Part No.	Description	No. Used
9	84-1670	Head	1
†10		Seal-Dust	1
11	84-1680	Ring-Retaining	1
12	75-2120	Clevis W.A.	1
13	302-5	Fitting - Grease	1
*	75-2140	Seal repair Kit (Incl. Ref. #3, 5-8 & 10)	1

*Not Illustrated

†Not Serviced Separately



T-1304

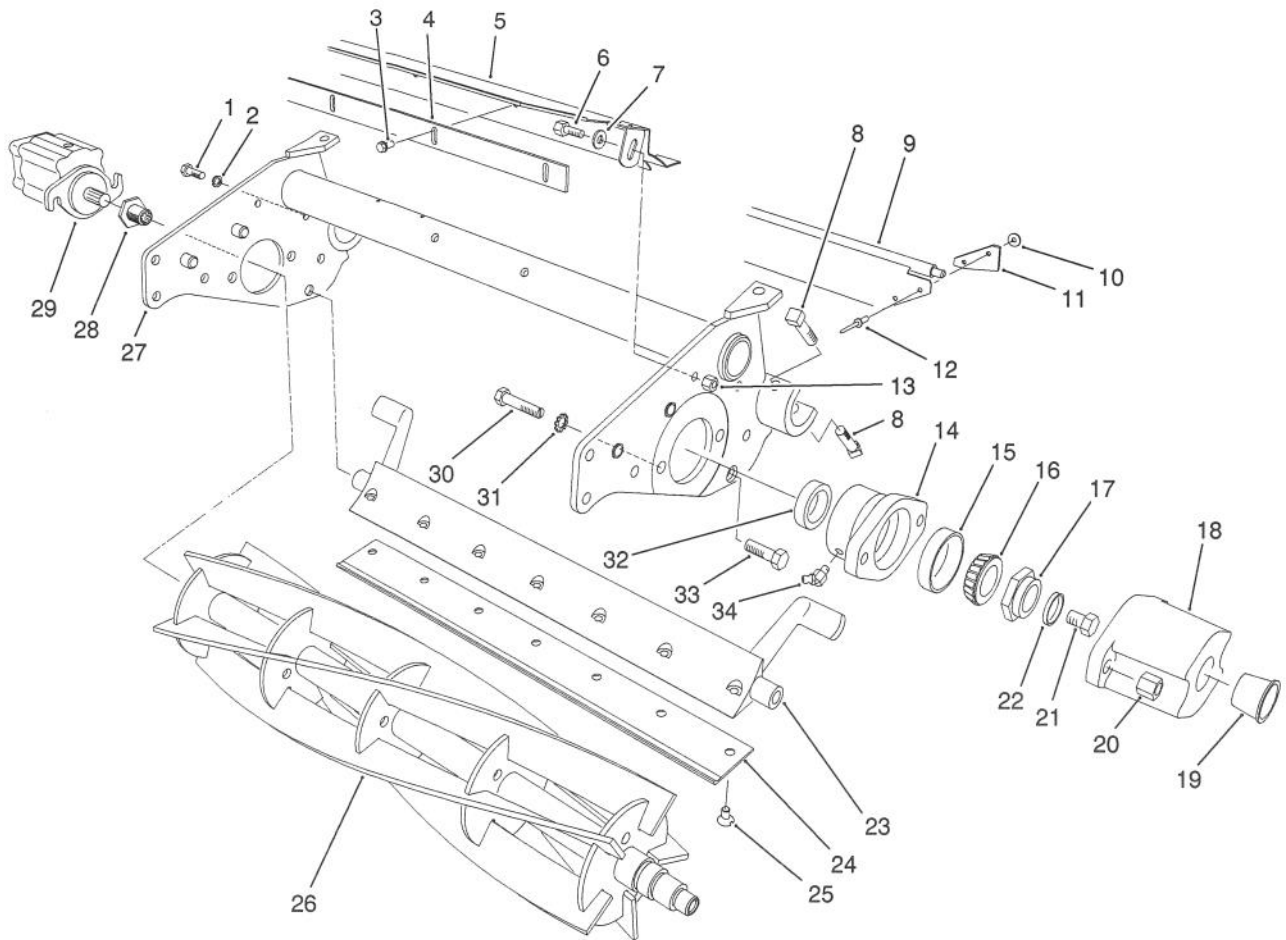
R.O.P.S. ASSEMBLY

Ref. No.	Part No.	Description	No. Used
1	83-7370	Roof	1
2	83-7390	Seal	2
3	83-7400	Ear - Lift	2
4	3256-24	Washer - Flat	4
5	323-6	Screw - Cap Hex. Hd.	2
6	3256-26	Washer - Flat	9
7	3253-7	Washer - Lock	9
8	325-5	Screw - Cap Hex. Hd.	9
9	3217-9	Nut - Lock	3
10	3250-45	Screw - Pan Hd.	6
11	3256-22	Washer - Flat	12

Ref. No.	Part No.	Description	No. Used
‡12	83-7430	Decal - Danger	1
13	83-7410	Roll - Bar	1
14	83-7380	Insulation - Roof	1
15	83-7420	Washer - Rubber	6
16	3253-3	Washer - Lock	6
17	32111-7	Nut - Acorn	6
18	3296-39	Nut - Lock	2
*	21-4191	Seat Belt Assembly	1
*	3212-4	Screw - Cap Hex. Hd.	2
*	3253-6	Washer - Lock	2

*Not Illustrated

‡For different language versions of this part, see International Decal Cross Reference.



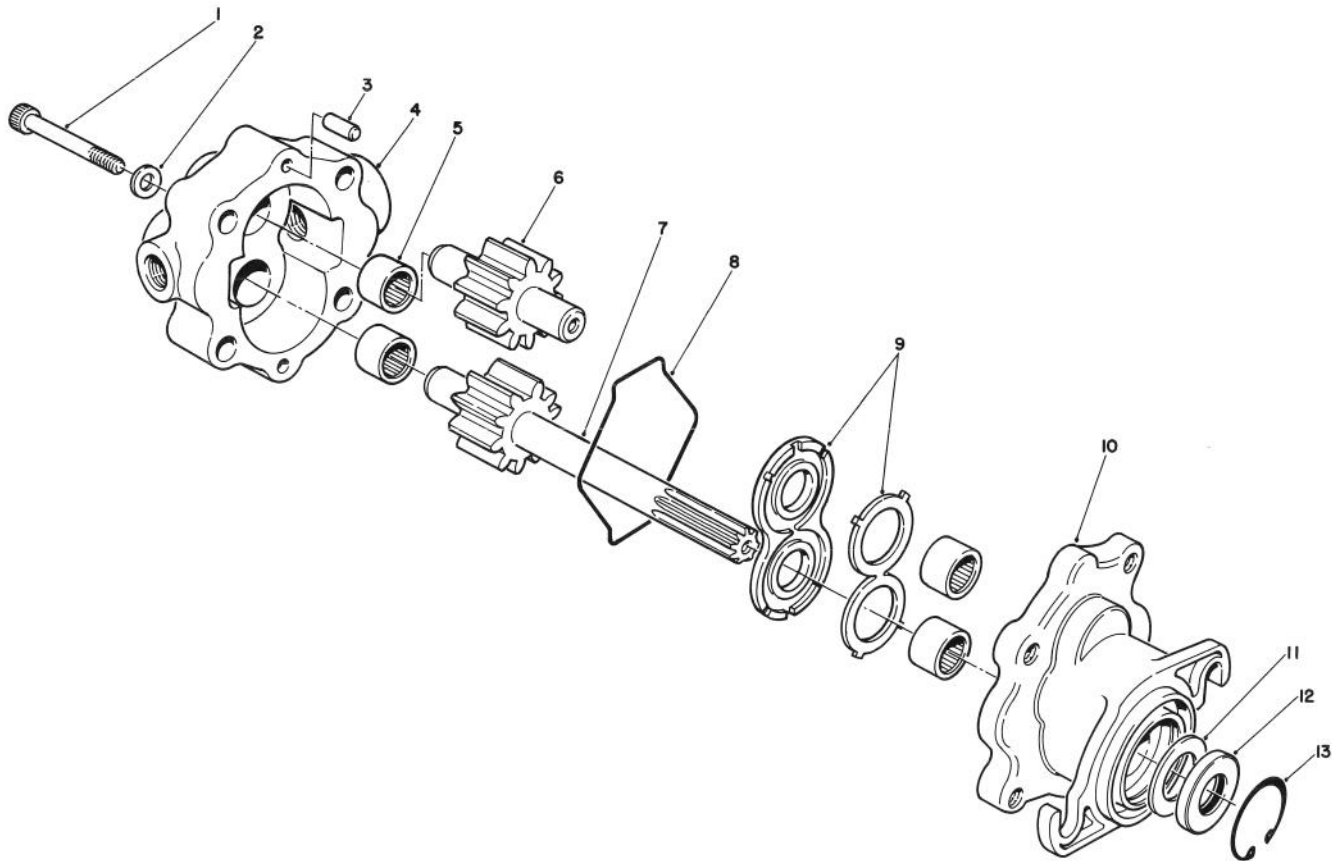
T-1062

CUTTING UNIT REEL ASSEMBLY

Ref. No.	Part No.	Description	No. Used
1	322-5	Screw - Cap Hex. Hd.	1
2	3253-4	Washer - Lock	1
3	32144-73	Screw - Self Tapping	5
4	36-7260	Bar - Cutoff	1
5	75-1840	Shield - Grass	1
6	321-4	Screw - Cap Hex. Hd.	2
7	3256-1	Washer - Flat	2
8	3243-13	Screw - Sq. Hd. Set	4
9	75-1560	Deflector - Rear	1
10	3256-49	Washer - Flat	4
11	75-1720	Flap - Rear Shield	2
12	3290-409	Rivet - Pop	4
13	3296-42	Nut - Lock	2
14	10-5120	Housing - Bearing	2
15	254-72	Cup - Bearing	2
16	254-94	Cone - Bearing	2
17	3296-60	Nut - Reel	1
18	10-5080	Cap - End	1
19	12-0460	Plug - Hole	1

Ref. No.	Part No.	Description	No. Used
20	3296-39	Nut - Lock L.H.	2
*	32128-36	Nut - Flange Lock R.H.	2
21	323-2	Screw - Cap Hex. Hd. L.H.	1
22	253-61	Seal - Oil	1
23	10-4930	Bedbar	1
24	63-8610	Bedknife	1
25	57-4910	Screw - Bedknife	7
26	14-0659	Reel - 5 Blade	1
*	14-0649	Reel - 8 Blade	1
27	75-6660	Frame - Cutting Unit	1
28	10-5100	Screw - Special	1
29	75-1400	Reel Motor Assembly	1
30	57-3210	Screw - Special	4
31	3255-9	Washer - E.T.L.W.	4
32	253-96	Seal - Oil	2
33	217-74	Bolt - Bedbar	2
34	302-60	Fitting - Grease L.H. 90°	1
*	302-11	Fitting - Grease R.H. 45°	1

*Not Illustrated



T-1009

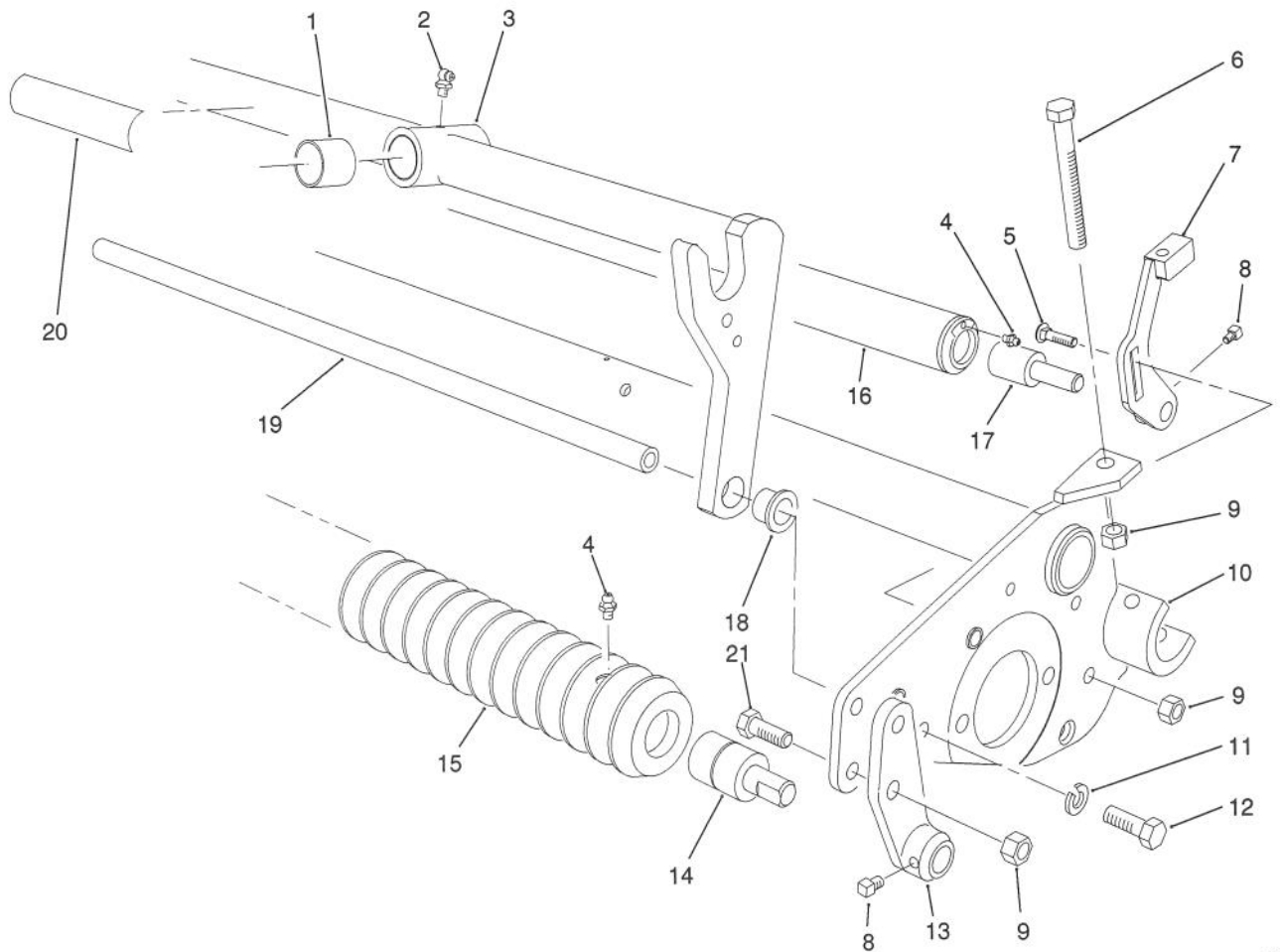
REEL MOTOR ASSEMBLY NO. 75-1400

Ref. No.	Part No.	Description	No. Used
1	354-50	Screw-Hex Socket Hd.	4
2	354-51	Washer	4
3	353-599	Pin-Dowel	2
4	354-47	Cover Assy. (Incl. Ref. #5)	1
†5		Bearing-Needle	4
6	354-45	Idler Gear Assembly	1
7	354-49	Drive Shaft Assembly	1
8	354-46	Ring-Seal	1
9	354-48	Plate Assembly-Load	1

Ref. No.	Part No.	Description	No. Used
10	354-44	Body Assy. (Incl. Ref. #5)	1
11		Spacer	1
12		Seal-Shaft	1
13	32151-41	Ring-Retaining	1
*	49-1450	Installer - Seal	1
*	49-1430	Protector - Seal	1
*	72-4380	Seal Kit (Incl. Ref. #11-13)	1
*	75-1270	Repair Kit (Incl. Ref. #8, & 11-13)	1

*Not Illustrated

†Not Serviced Separately



T-1061

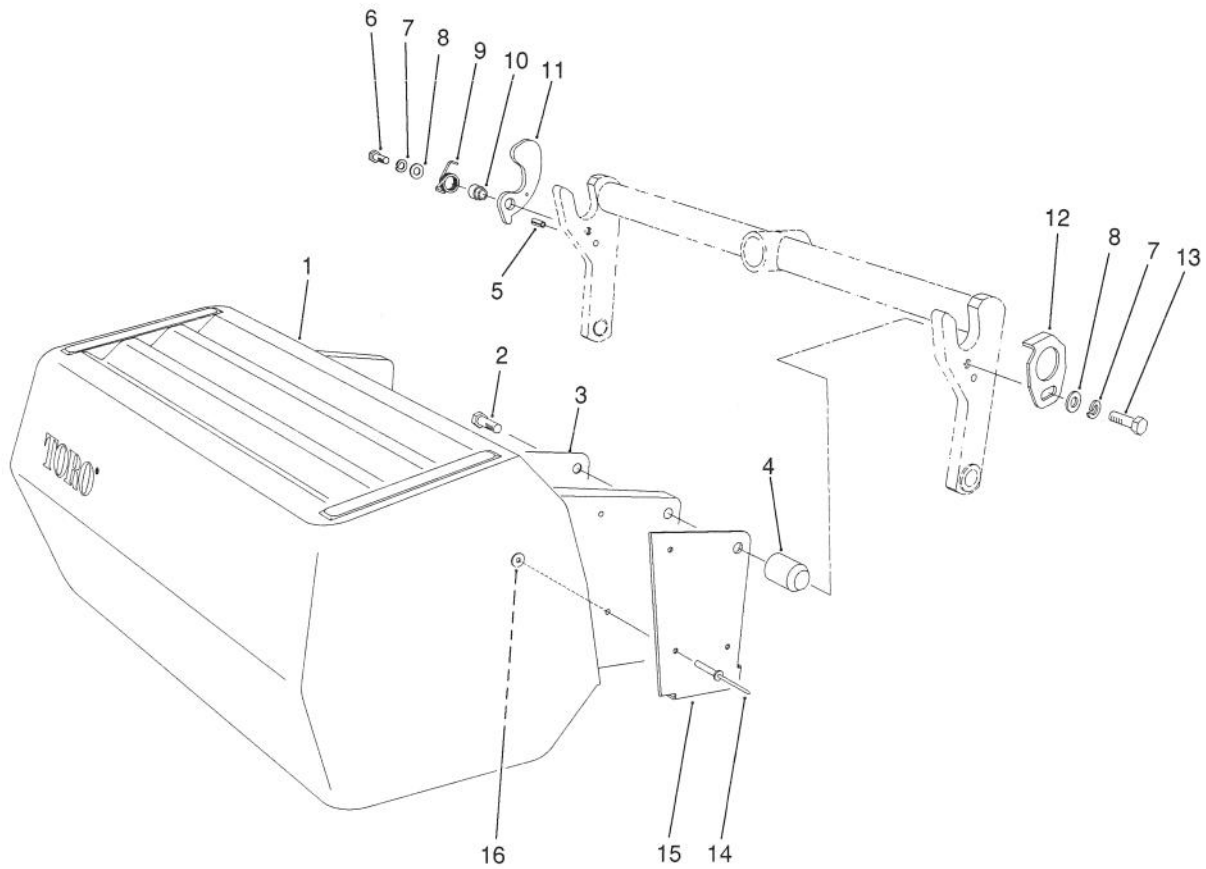
CUTTING UNIT ROLLERS ASSEMBLY

Ref. No.	Part No.	Description	No. Used
1	67-1750	Bushing - Sleeve	2
2	302-60	Fitting - Grease	1
3	75-1600	Carrier Frame Assembly (Incl. Ref. #1, 2 & 18)	1
4	302-5	Fitting - Grease	4
5	3231-2	Bolt - Carriage	2
6	323-49	Screw - Cap Hex. Hd.	2
7	75-1620	Bracket - HOC Rear L.H.	1
*	75-1610	Bracket - HOC Rear R.H.	1
8	3242-1	Screw - Sq. Hd. Set	4
9	3296-39	Nut - Lock	8
10	75-6660	Cutting Unit Frame Assy. (Incl. Ref. #11, 12 & 19)	1
11	3253-21	Washer - Lock	2

Ref. No.	Part No.	Description	No. Used
12	323-6	Screw - Cap Hex. Hd.	2
13	75-1980	Bracket - HOC Front L.H.	1
*	75-1960	Bracket - HOC Front R.H.	1
14	75-1290	Bearing Assembly	2
15	75-1520	Wiehle Roller Assembly (Incl. Ref. #4 & 12)	1
16	75-1850	Rear Roller Assembly (Incl. Ref. #4 & 17)	1
17	21-8430	Bearing Assembly	2
18	75-2160	Bearing - Flange	2
19	75-1710	Support - Cutting Unit	1
‡20	67-7960	Decal - Warning (English)	1
21	323-7	Screw - Cap Hex. Hd.	4

*Not Illustrated

‡For different language versions of this part, see International Decal Cross Reference.



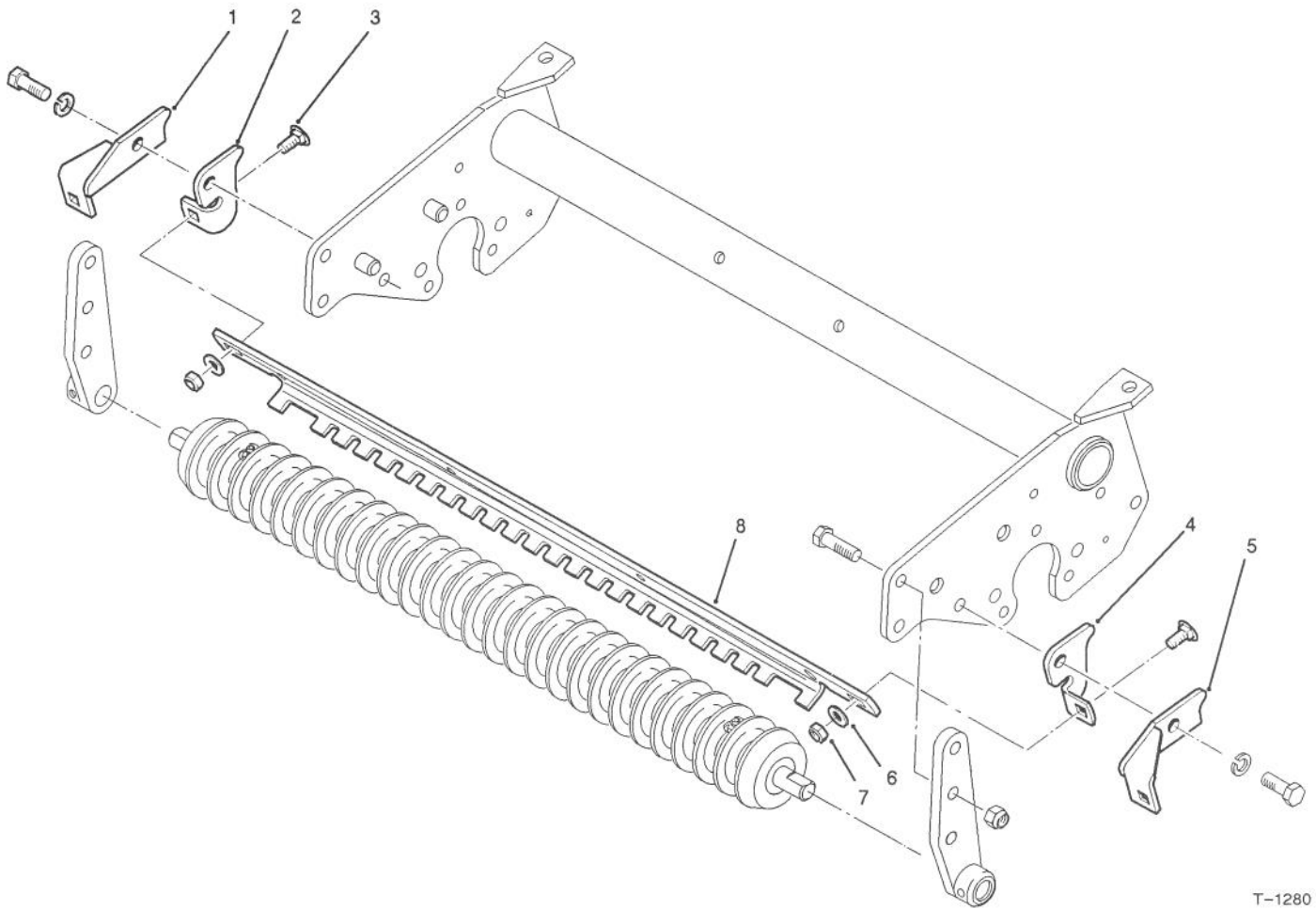
T-1063

GRASS BASKET ASSEMBLY

Ref. No.	Part No.	Description	No. Used	Ref. No.	Part No.	Description	No. Used
1	75-4010	Basket - Grass	1	9	75-3970	Spring - Torsion R.H.	1
2	323-6	Screw - Cap Hex. Hd.	2	*	75-3960	Spring - Torsion L.H.	1
3	75-4030	Support - Basket Inner L.H.	1	10	75-3940	Collar - Basket	1
*	75-4020	Support - Basket Inner R.H.	1	11	75-3950	Bracket - Basket	1
4	75-3930	Pin - Basket	2	12	75-3920	Guide - Basket	1
5	32121-11	Pin - Roll	1	13	322-1	Screw - Cap Hex. Hd.	1
6	322-6	Screw - Cap Hex. Hd.	1	14	3269-28	Rivet - Pop	10
7	3253-4	Washer - Lock	2	15	75-4040	Support - Basket Outer L.H.	1
8	3256-71	Washer - Flat	2	*	75-4050	Support - Basket Outer R.H.	1
				16	3256-49	Washer - Flat	10

*Not Illustrated

Note: Front left, center, and rear right assemblies shown.



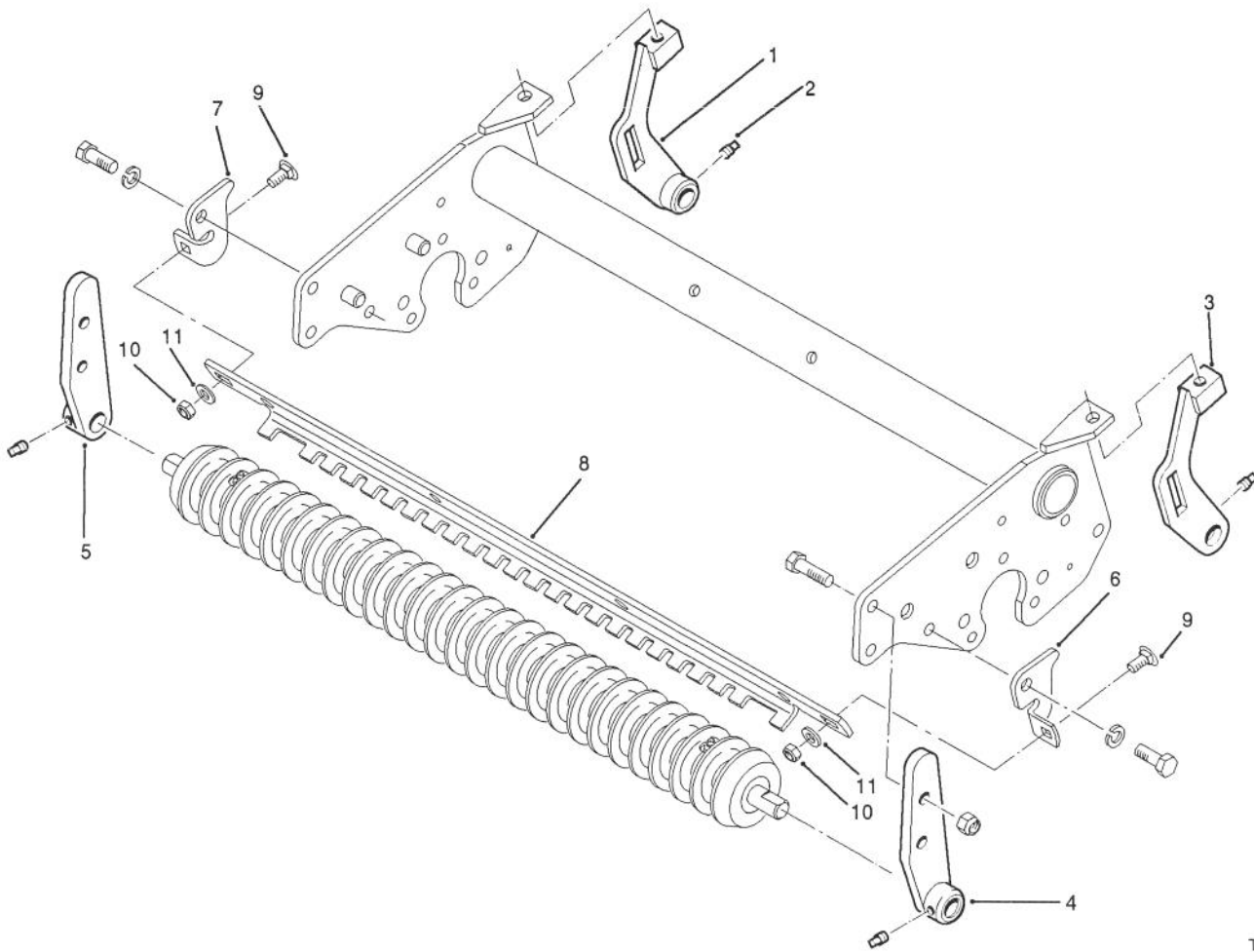
T-1280

FRONT ROLLER SCRAPER KIT NO. 83-5400 (Optional)

Ref. No.	Part No.	Description	No. Used
1	83-6950	Bracket - Scraper R.H.	1
2	83-6930	Bracket - Scraper R.H.	1
3	3230-1	Bolt - Carriage	2
4	83-6940	Bracket - Scraper L.H.	1

Ref. No.	Part No.	Description	No. Used
5	83-6980	Bracket - Scraper L.H.	1
6	3256-23	Washer - Flat	2
7	3296-29	Nut - Lock	2
8	82-6830	Bracket - Scraper	1

NOTE: Quantities listed per cutting unit.



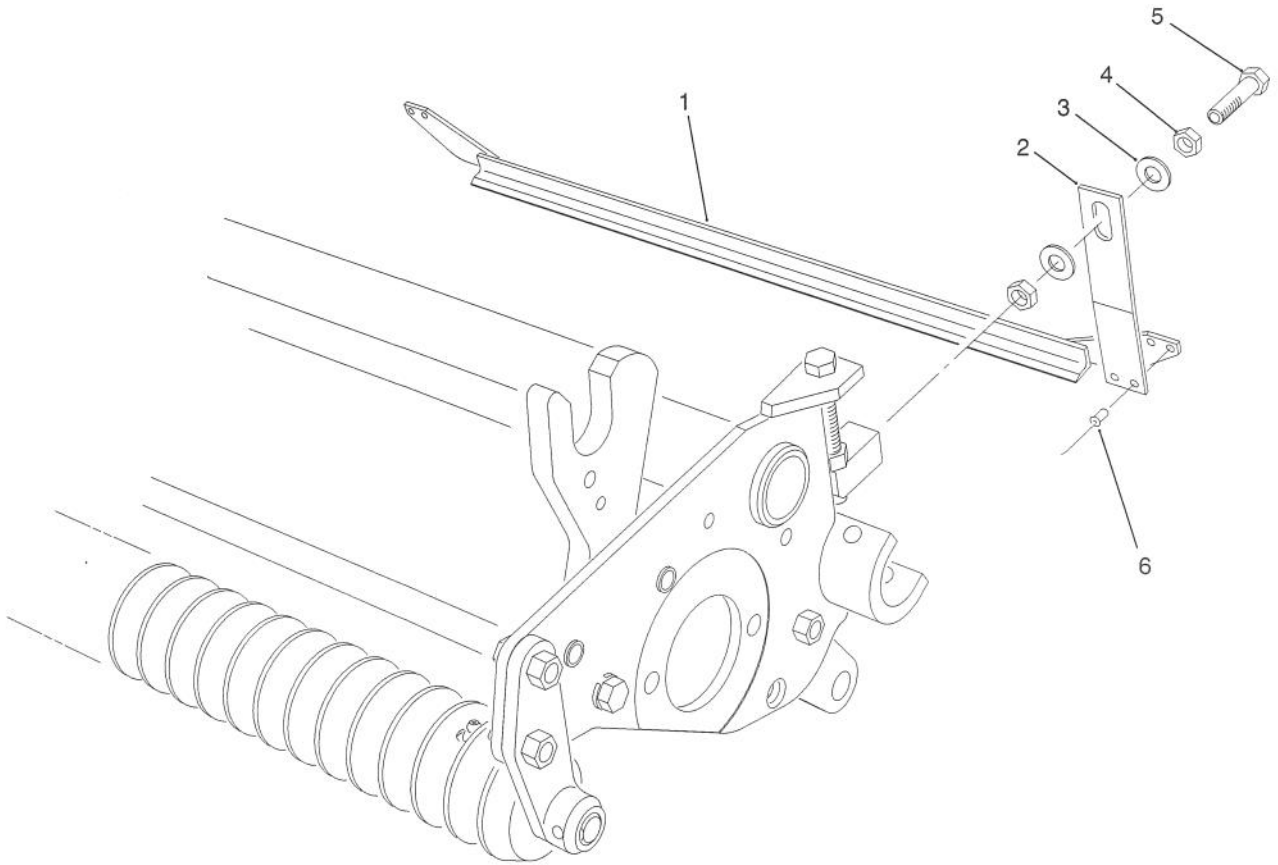
T-1308

HIGH HEIGHT-OF-CUT KIT NO. 83-5300 (Optional)

Ref. No.	Part No.	Description	No. Used
1	83-5210	H.O.C. - Right Rear	5
2	3242-1	Screw - Set Sq. Hd.	20
3	83-5230	H.O.C. - Left Rear	5
4	83-5250	Support - Front L.H.	5
5	83-5240	Support - Front R.H.	5
*6	83-4880	Bracket - High Scraper L.H.	5

Ref. No.	Part No.	Description	No. Used
*7	83-4870	Bracket - High Scraper R.H.	5
*8	82-6830	Bracket - Scraper	5
*9	3230-1	Bolt - Carriage	10
*10	3296-29	Nut - Lock	10
*11	3256-23	Washer - Flat	10

*Not Included with Kit. These parts are required to install a front roller scraper when using the High Height-of-Cut Kit.



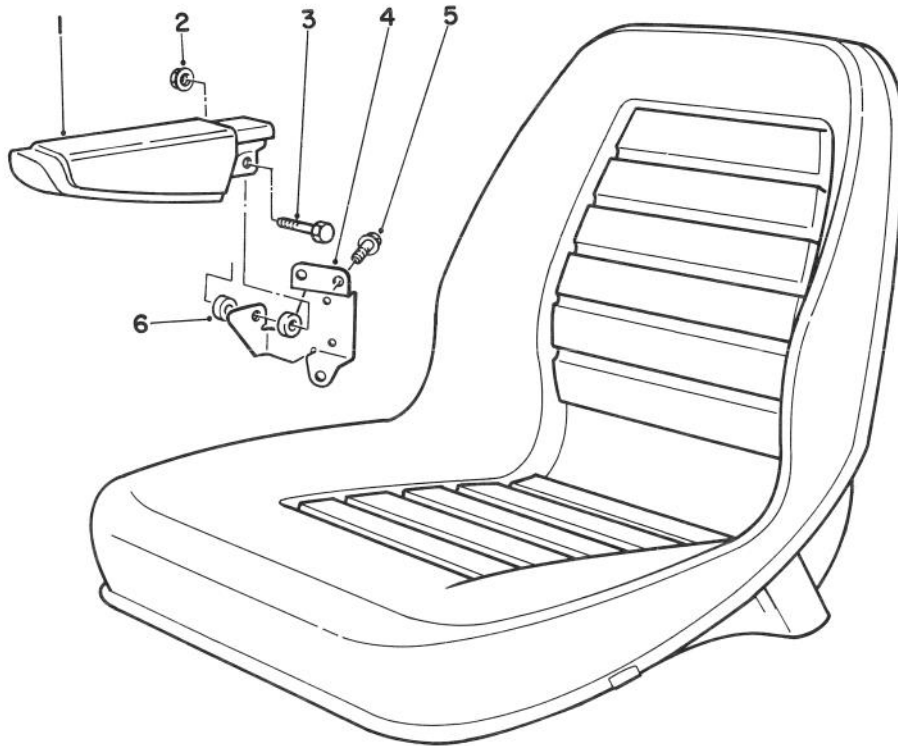
T-1096

ROLLER SCRAPER KIT MODEL NO. 03512 (Optional)

Ref. No.	Part No.	Description	No. Used
1	75-1750	Scraper - Roller	1
2	75-1740	Spring - Scraper	2
3	3256-24	Washer - Flat	4

Ref. No.	Part No.	Description	No. Used
4	3218-3	Nut - Jam	4
5	323-50	Screw - Cap Hex. Hd.	2
6	3269-3	Rivet - Pop	4

NOTE: Quantities listed per cutting unit.
*Not Illustrated



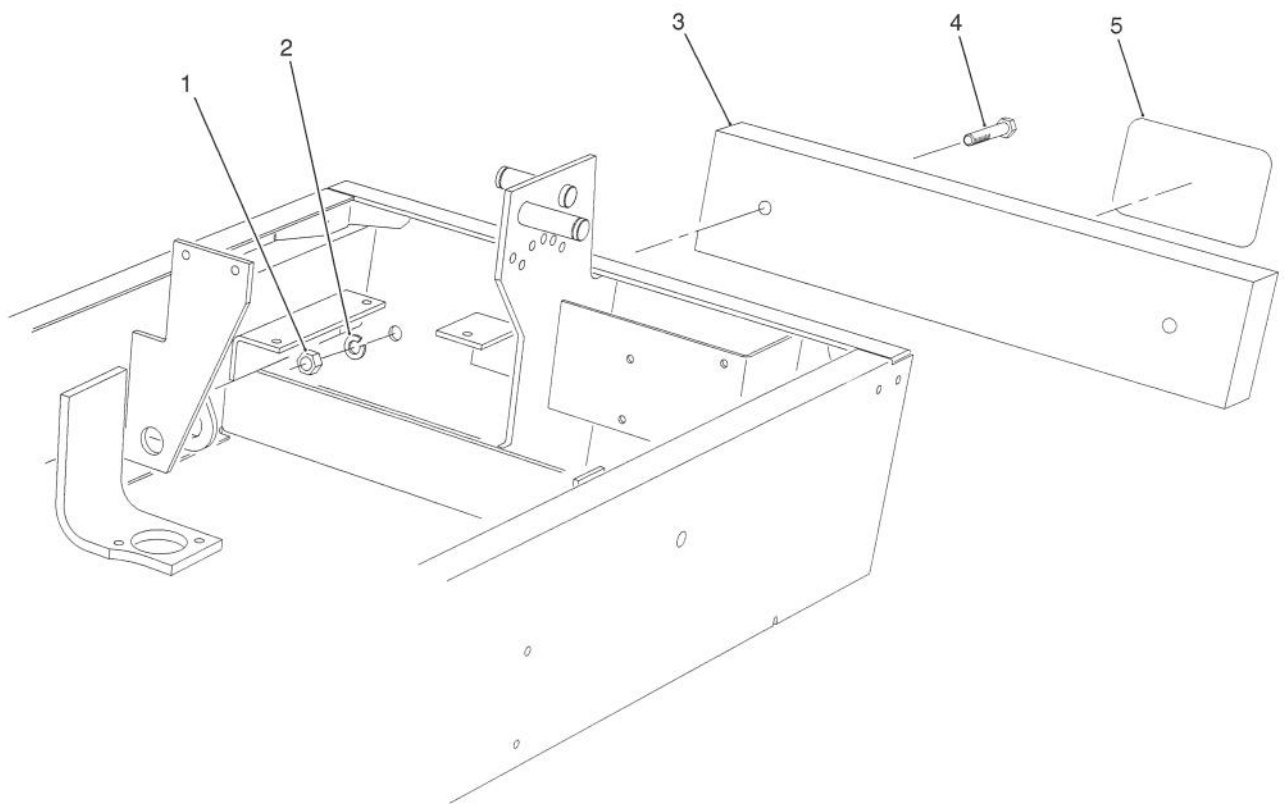
T-0634

ARMREST KIT MODEL NO. 30707 (Optional)

Ref. No.	Part No.	Description	No. Used
1	69-1180	Armrest	2
2	32128-19	Nut - Flange Lock	2
3	323-9	Screw - Cap Hex. Hd.	2

Ref. No.	Part No.	Description	No. Used
4	69-0770	Bracket - Armrest R.H.	1
*	69-0760	Bracket - Armrest L.H.	1
5	3234-23	Screw - Hex. Flange Hd.	6
6	69-1260	Spacer	4

*Not Illustrated



T-1152

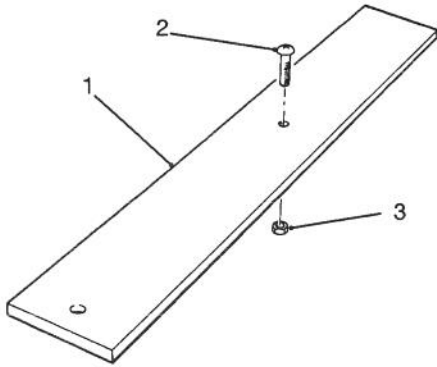
WEIGHT KIT NO. 75-6690 (Optional)

Ref. No.	Part No.	Description	No. Used
1	3217-9	Nut - Hex.	2
2	3253-27	Washer - Lock	2
3	75-6690	Bar - Weight (Incl. Ref. #1-5)	1

Ref. No.	Part No.	Description	No. Used
4	325-8	Screw - Cap Hex. Hd.	2
5	62-5550	Decal - TORO	1

SPECIAL TOOLS

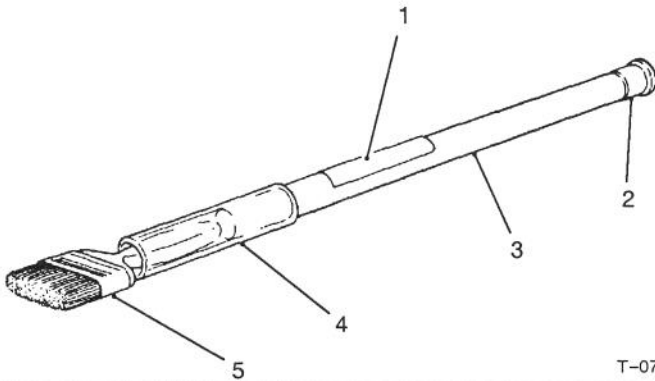
GAUGE BAR ASSEMBLY NO. 13-8199



T-1151

Ref. No.	Part No.	Description	No. Used
1	65-8320	Bar - Height-Of-Cut	1
2	32122-22	Screw - Phillip Hd.	1
3	3219-14	Nut - Hex.	1

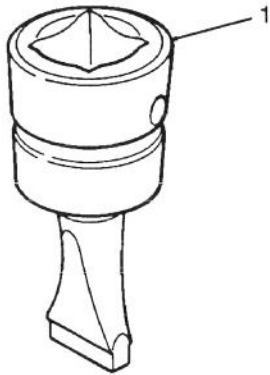
BACKLAPPING BRUSH ASSEMBLY NO. *TOR299100



T-0731

Ref. No.	Part No.	Description	No. Used
1	12-9140	Decal	1
2	2410-18	Plug	1
3	29-9080	Handle	1
4	29-9090	Hose - Handle	1
5	36-4310	Brush	1

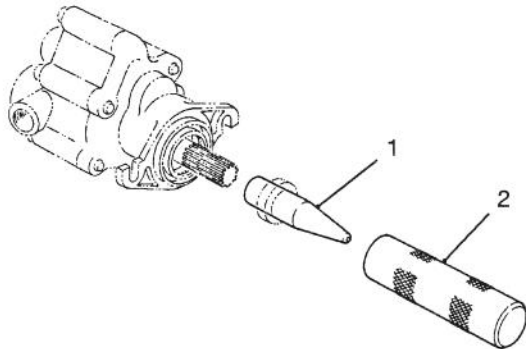
BEDKNIFE SCREW TOOL NO. *TOR510880



T-0729

Ref. No.	Part No.	Description	No. Used
1		Tool - Bedknife Screw	1

HYDRAULIC MOTOR TOOLS



T-0727

Ref. No.	Part No.	Description	No. Used
1	*TOR491430	Protector - Seal	1
2	*TOR491450	Installer - Seal	1

*Obtain these items directly from OTC 2013 4th St. Owatonna, MN. 55060 1-800-533-0492
(in Minnesota and Canada 1-507-455-7050) Fax. 507-455-7011.

INTERNATIONAL DECAL CROSS REFERENCE

JAPANESE DECAL KIT NO. 83-6880

DESCRIPTION	LOCATION	PART NUMBER	
		ENGLISH	JAPANESE
Decal No Step	Lift Arms	36-3400	84-2780
Decal Diesel Only	Left Fender	52-1320	84-2860
Decal Spring Loaded	Lift Arms	55-4300	84-2940
Decal No Starting Fluid	Air Cleaner	67-1700	84-3100
Decal Hydraulic Oil	Right Fender	75-0740	84-3180
Decal Backlap	Backlap Bracket	75-0750	84-3260
Decal Towing	Tool Box Cover	75-1280	84-3340
Decal No Riders	Fenders	75-5190	84-3420
Decal Fast/Slow	Steering Tower	75-6710	84-3500
Decal Reels	Under Seat Plate	75-6830	84-3580
Decal Slopes	Tool Box	75-7540	84-3660
Decal Bolt	Frame	77-0490	84-3740
Decal This End Down	Radiator Screen	83-7450	84-3820
Decal Knobs	Seat Plate	83-7440	84-3900
Decal Change Filter	Frame	75-0790	84-3980
Decal Fuses	Inside Control Box	75-0690	84-4060
Decal Reference Chart	Inside Tool Box	75-0730	84-4140
Decal Hands/Feet	Cutting Unit Frames	67-7960	84-4220
Decal Seat Belts	R.O.P.S. Roof	83-7430	84-4300
Decal Asbestos	Behind Front Wheels	75-0810	84-4310

DANISH DECAL KIT NO. 83-6870

DESCRIPTION	LOCATION	PART NUMBER	
		ENGLISH	DANISH
Decal No Step	Lift Arms	36-3400	84-2770
Decal Diesel Only	Left Fender	52-1320	84-2850
Decal Spring Loaded	Lift Arms	55-4300	84-2930
Decal No Starting Fluid	Air Cleaner	67-1700	84-3090
Decal Hydraulic Oil	Right Fender	75-0740	84-3170
Decal Backlap	Backlap Bracket	75-0750	84-3250
Decal Towing	Tool Box Cover	75-1280	84-3330
Decal No Riders	Fenders	75-5190	84-3410
Decal Fast/Slow	Steering Tower	75-6710	84-3490
Decal Reels	Under Seat Plate	75-6830	84-3570
Decal Slopes	Tool Box	75-7540	84-3650
Decal Bolt	Frame	77-0490	84-3730
Decal This End Down	Radiator Screen	83-7450	84-3810
Decal Knobs	Seat Plate	83-7440	84-3890
Decal Change Filter	Frame	75-0790	84-3970
Decal Fuses	Inside Control Box	75-0690	84-4050
Decal Reference Chart	Inside Tool Box	75-0730	84-4130
Decal Hands/Feet	Cutting Unit Frames	67-7960	84-4210
Decal Seat Belts	R.O.P.S. Roof	83-7430	84-4290
Decal Asbestos	Behind Front Wheels	75-0810	84-4320

INTERNATIONAL DECAL CROSS REFERENCE

DUTCH DECAL KIT NO. 83-6830

ITALIAN DECAL KIT NO. 83-6860

DESCRIPTION	LOCATION	PART NUMBER	
		ENGLISH	DUTCH
Decal No Step	Lift Arms	36-3400	84-2760
Decal Diesel Only	Left Fender	52-1320	84-2840
Decal Spring Loaded	Lift Arms	55-4300	84-2920
Decal No Starting Fluid	Air Cleaner	67-1700	84-3080
Decal Hydraulic Oil	Right Fender	75-0740	84-3160
Decal Backlap	Backlap Bracket	75-0750	84-3240
Decal Towing	Tool Box Cover	75-1280	84-3320
Decal No Riders	Fenders	75-5190	84-3400
Decal Fast/Slow	Steering Tower	75-6710	84-3480
Decal Reels	Under Seat Plate	75-6830	84-3560
Decal Slopes	Tool Box	75-7540	84-3640
Decal Bolt	Frame	77-0490	84-3720
Decal This End Down	Radiator Screen	83-7450	84-3800
Decal Knobs	Seat Plate	83-7440	84-3880
Decal Change Filter	Frame	75-0790	84-3960
Decal Fuses	Inside Control Box	75-0690	84-4040
Decal Reference Chart	Inside Tool Box	75-0730	84-4120
Decal Hands/Feet	Cutting Unit Frames	67-7960	84-4200
Decal Seat Belts	R.O.P.S. Roof	83-7430	84-4280
Decal Asbestos	Behind Front Wheels	75-0810	75-0820

DESCRIPTION	LOCATION	PART NUMBER	
		ENGLISH	ITALIAN
Decal No Step	Lift Arms	36-3400	84-2750
Decal Diesel Only	Left Fender	52-1320	84-2830
Decal Spring Loaded	Lift Arms	55-4300	84-2910
Decal No Starting Fluid	Air Cleaner	67-1700	84-3070
Decal Hydraulic Oil	Right Fender	75-0740	84-3150
Decal Backlap	Backlap Bracket	75-0750	84-3230
Decal Towing	Tool Box Cover	75-1280	84-3310
Decal No Riders	Fenders	75-5190	84-3390
Decal Fast/Slow	Steering Tower	75-6710	84-3470
Decal Reels	Under Seat Plate	75-6830	84-3550
Decal Slopes	Tool Box	75-7540	84-3630
Decal Bolt	Frame	77-0490	84-3710
Decal This End Down	Radiator Screen	83-7450	84-3790
Decal Knobs	Seat Plate	83-7440	84-3870
Decal Change Filter	Frame	75-0790	84-3950
Decal Fuses	Inside Control Box	75-0690	84-4030
Decal Reference Chart	Inside Tool Box	75-0730	84-4110
Decal Hands/Feet	Cutting Unit Frames	67-7960	84-4190
Decal Seat Belts	R.O.P.S. Roof	83-7430	84-4270
Decal Asbestos	Behind Front Wheels	75-0810	75-0850

INTERNATIONAL DECAL CROSS REFERENCE

SPANISH DECAL KIT NO. 83-6850

DESCRIPTION	LOCATION	PART NUMBER	
		ENGLISH	SPANISH
Decal No Step	Lift Arms	36-3400	84-2740
Decal Diesel Only	Left Fender	52-1320	84-2820
Decal Spring Loaded	Lift Arms	55-4300	84-2900
Decal No Starting Fluid	Air Cleaner	67-1700	84-3060
Decal Hydraulic Oil	Right Fender	75-0740	84-3140
Decal Backlap	Backlap Bracket	75-0750	84-3220
Decal Towing	Tool Box Cover	75-1280	84-3300
Decal No Riders	Fenders	75-5190	84-3380
Decal Fast/Slow	Steering Tower	75-6710	84-3460
Decal Reels	Under Seat Plate	75-6830	84-3540
Decal Slopes	Tool Box	75-7540	84-3620
Decal Bolt	Frame	77-0490	84-3700
Decal This End Down	Radiator Screen	83-7450	84-3780
Decal Knobs	Seat Plate	83-7440	84-3860
Decal Change Filter	Frame	75-0790	84-3940
Decal Fuses	Inside Control Box	75-0690	84-4020
Decal Reference Chart	Inside Tool Box	75-0730	84-4100
Decal Hands/Feet	Cutting Unit Frames	67-7960	84-4180
Decal Seat Belts	R.O.P.S. Roof	83-7430	84-4260
Decal Asbestos	Behind Front Wheels	75-0810	75-0860

GERMAN DECAL KIT NO. 83-6810

DESCRIPTION	LOCATION	PART NUMBER	
		ENGLISH	GERMAN
Decal No Step	Lift Arms	36-3400	84-2730
Decal Diesel Only	Left Fender	52-1320	84-2810
Decal Spring Loaded	Lift Arms	55-4300	84-2890
Decal No Starting Fluid	Air Cleaner	67-1700	84-3050
Decal Hydraulic Oil	Right Fender	75-0740	84-3130
Decal Backlap	Backlap Bracket	75-0750	84-3210
Decal Towing	Tool Box Cover	75-1280	84-3290
Decal No Riders	Fenders	75-5190	84-3370
Decal Fast/Slow	Steering Tower	75-6710	84-3450
Decal Reels	Under Seat Plate	75-6830	84-3530
Decal Slopes	Tool Box	75-7540	84-3610
Decal Bolt	Frame	77-0490	84-3690
Decal This End Down	Radiator Screen	83-7450	84-3770
Decal Knobs	Seat Plate	83-7440	84-3850
Decal Change Filter	Frame	75-0790	84-3930
Decal Fuses	Inside Control Box	75-0690	84-4010
Decal Reference Chart	Inside Tool Box	75-0730	84-4090
Decal Hands/Feet	Cutting Unit Frames	67-7960	84-4170
Decal Seat Belts	R.O.P.S. Roof	83-7430	84-4250
Decal Asbestos	Behind Front Wheels	75-0810	75-0840

INTERNATIONAL DECAL CROSS REFERENCE

FRENCH DECAL KIT NO. 83-6920

DESCRIPTION	LOCATION	PART NUMBER	
		ENGLISH	FRENCH
Decal No Step	Lift Arms	36-3400	84-2720
Decal Diesel Only	Left Fender	52-1320	84-2800
Decal Spring Loaded	Lift Arms	55-4300	84-2880
Decal No Starting Fluid	Air Cleaner	67-1700	84-3040
Decal Hydraulic Oil	Right Fender	75-0740	84-3120
Decal Backlap	Backlap Bracket	75-0750	84-3200
Decal Towing	Tool Box Cover	75-1280	84-3280
Decal No Riders	Fenders	75-5190	84-3360
Decal Fast/Slow	Steering Tower	75-6710	84-3440
Decal Reels	Under Seat Plate	75-6830	84-3520
Decal Slopes	Tool Box	75-7540	84-3600
Decal Bolt	Frame	77-0490	84-3680
Decal This End Down	Radiator Screen	83-7450	84-3760
Decal Knobs	Seat Plate	83-7440	84-3840
Decal Change Filter	Frame	75-0790	84-3920
Decal Fuses	Inside Control Box	75-0690	84-4000
Decal Reference Chart	Inside Tool Box	75-0730	84-4080
Decal Hands/Feet	Cutting Unit Frames	67-7960	84-4160
Decal Seat Belts	R.O.P.S. Roof	83-7430	84-4240
Decal Asbestos	Behind Front Wheels	75-0810	75-0830

SWEDISH DECAL KIT NO. 83-6840

DESCRIPTION	LOCATION	PART NUMBER	
		ENGLISH	SWEDISH
Decal No Step	Lift Arms	36-3400	84-2710
Decal Diesel Only	Left Fender	52-1320	84-2790
Decal Spring Loaded	Lift Arms	55-4300	84-2870
Decal No Starting Fluid	Air Cleaner	67-1700	84-3030
Decal Hydraulic Oil	Right Fender	75-0740	84-3110
Decal Backlap	Backlap Bracket	75-0750	84-3190
Decal Towing	Tool Box Cover	75-1280	84-3270
Decal No Riders	Fenders	75-5190	84-3350
Decal Fast/Slow	Steering Tower	75-6710	84-3430
Decal Reels	Under Seat Plate	75-6830	84-3510
Decal Slopes	Tool Box	75-7540	84-3590
Decal Bolt	Frame	77-0490	84-3670
Decal This End Down	Radiator Screen	83-7450	84-3750
Decal Knobs	Seat Plate	83-7440	84-3830
Decal Change Filter	Frame	75-0790	84-3910
Decal Fuses	Inside Control Box	75-0690	84-3990
Decal Reference Chart	Inside Tool Box	75-0730	84-4070
Decal Hands/Feet	Cutting Unit Frames	67-7960	84-4150
Decal Seat Belts	R.O.P.S. Roof	83-7430	84-4230
Decal Asbestos	Behind Front Wheels	75-0810	75-0870

PART NUMBER INDEX

Part No.	Description	Pg. No.	Ref. No.	Qty.	Part No.	Description	Pg. No.	Ref. No.	Qty.
251-347	Bearing - Ball	57	12	2	27-7170	Band Assembly	52	7	2
3-3251	Spring - Compression	3	12	1	27-7220	Air Cleaner Soap	52	*	1
3-6498	Washer - Thrust	29	22	2	27-9560	Spacer	35	46	1
3-6498	Washer - Thrust	61	30	6	28-0660	Screw-Cap, Hex Hd.	26	21	8
3-6498	Washer - Thrust	63	21	4	28-0670	Seal-Oil	26	8	2
3-6657	Clamp - Cable	6	30	1	28-0680	Drum-Brake	26	13	2
3-6657	Clamp - Cable	36	48	1	28-1280	Boot - Cable	51	18	1
5-0743	Spring - Counterbalance	63	1	2	29-6162	Switch - Neutral	29	6	1
5-0743	Spring - Extension	61	22	3	29-9080	Handle	78	3	1
5-1096	Chain - Cutting Unit	63	27	2	29-9090	Hose - Handle	78	4	1
5-1226	Washer	54	43	2	33-1260	Cover Assembly	52	12	1
5-3637	Washer - Flat	35	23	1	33-1270	Bowl	52	11	1
7-3900	Pad - Brake	5	26	2	36-3400	Decal - No Step (English)	62	62	2
10-4930	Bedbar	69	23	1	36-4310	Brush	78	5	1
10-5080	Cap - End	69	18	1	36-7260	Bar - Cutoff	69	4	1
10-5100	Screw - Special	69	28	1	37-2690	Capacitor	10	29	1
10-5120	Housing - Bearing	69	14	2	42-6080	Shim - Axle	22	37 A/R	
12-0460	Plug - Hole	69	19	1	42-7080	Cap	40	2	2
12-5450	Screw-Thread Forming	24	13	8	42-7190	Bushing - Knock	44	33	2
12-9140	Decal	78	1	1	42-7210	Plug-Taper	39	19	1
14-0649	Reel - 8 Blade	69	*	1	42-7290	Gasket - Drain	39	16	2
14-0659	Reel - 5 Blade	69	26	1	42-7510	Pipe	41	4	1
14-0959	Hood	1	6	1	42-7510	Pipe	41	9	1
21-4191	Seat Belt Assembly	68	*	1	42-7840	Key	40	20	1
21-7670	Case-Differential	25	33	1	42-7860	Lock	37	33	12
21-7690	Gear-Pinion	24	6	2	42-7870	Seal	37	30	6
21-7700	Shaft-Pinion Mate	25	31	1	42-8240	Gasket	46	6	3
21-7710	Pin-Roll	25	30	1	42-8690	Metal - Sealing	48	37	1
21-7720	Washer-Thrust	24	4	2	42-8700	Wire	48	38	1
21-7730	Washer-Thrust	24	7	2	42-8830	Seal - O-Ring	48	6	1
21-7770	Screw-Drive Gear	25	32	5	42-8830	Seal - O-Ring	48	10	1
21-7820	Gasket - Cover	22	5	1	42-9110	Gasket	41	21	1
21-8020	Spacer-Front Pinion	25	25	1	42-9110	Gasket - Muffler	34	15	1
21-8090	Diff. Adjust. Shim .003	25	38 A/R		42-9260	Plug - Drain	39	15	1
21-8100	Diff. Adjust. Shim .005	25	37 A/R		42-9420	Bolt - Speed Set	48	33	4
21-8110	Diff. Adjust. Shim .010	25	36 A/R		42-9430	Bolt W/Washer	41	7	1
21-8120	Diff. Adjust. Shim .030	25	35 A/R		42-9430	Bolt W/Washer	48	12	2
21-8150	Gear-Spur	24	14	1	42-9440	Bolt W/Washer	37	25	4
21-8180	Bearing	26	3	2	42-9440	Bolt W/Washer	39	8	11
21-8230	Vent Tube Assembly	25	39	1	42-9440	Bolt W/Washer	50	24	1
21-8270	Pin-Dowel	24	3	2	42-9490	Bolt W/Washer	39	18	18
21-8320	Gasket-Bearing, Wheel	26	20	2	42-9490	Bolt W/Washer	40	11	2
21-8330	Seal-Oil	26	2	2	42-9490	Bolt W/Washer	43	10	4
21-8360	Clip-Retaining	26	12	2	42-9510	Bolt	38	42	1
21-8390	Cup-Bearing	25	24	1	42-9570	Stud	41	20	4
21-8430	Bearing Assembly	71	17	2	42-9590	Nut	37	17	6
21-9260	Seal - Shaft	3	27	1	42-9600	Washer - Lock	57	9	28
21-9370	Screw-Adjusting	26	16	2	42-9600	Washer - Lock M10	55	42	24
21-9380	Nut-Pivot	26	17	2	42-9640	Nut - Jam	48	9	2
21-9390	Socket-Adjusting Screw	26	15	2	42-9650	Nut - Jam	44	30	1
21-9420	Spring-Shoe Return, L.H.	26	19	2	42-9660	Washer	38	39	3
21-9430	Spring-Shoe Return, R.H.	26	7	2	42-9660	Washer	50	4	1
21-9440	Spring-Adjusting Screw	26	14	2	42-9850	Washer - Lock	34	14	4
21-9450	Shield-Dust	26	5	2	42-9850	Washer - Lock	35	26	2
21-9460	Retainer-Brake, Parking	26	10	4	42-9850	Washer - Lock	59	28	1
23-2270	Bushing - Rubber	29	26	1	42-9850	Washer - Lock M8	55	34	8
23-4810	Gear - Pinion	22	32	1	42-9850	Washer - Lock, M8	57	29	28
23-7270	Nut - Lug	22	1	10	43-0090	Screw - Cap Hex. Hd.	34	20	3
24-8780	Differential Case Assembly	25	*	1	43-0370	Shim	50	5	1
24-8790	Gear-Bevel, Differential	24	5	2	43-0510	Spring - Brush	50	14	2
24-8840	Ring-Bearing, Wheel	26	22	2	43-1920	Nut Set	50	17	1
24-9180	Lever, Brake, Parking	26	4	2	43-2550	Filter	44	18	1
25-4980	Cover - Gear	22	4	1	43-2560	Gasket - Side Cover	44	19	1
27-2360	Ignition Switch Assembly	10	19	1	43-2570	Gasket-Coil Side	44	17	1
27-3710	Dipstick - Axle	23	41	1	43-2580	Magnet	44	20	1
27-5340	Hose - Fuel	21	11	1	43-2690	Pair of Lined Brake Shoes	26	*	2
27-6852	Shaft-Axle, Flanged R.H.	26	*	1	43-2690	Shoe & Lining Assembly	26	9	4
27-6862	Shaft-Axle, Flanged L.H.	26	1	1	43-2710	Seal - O-Ring	41	36	2
27-7110	Element Assembly	52	8	1	43-2740	Gasket	34	8	1
27-7120	Nut	52	3	1	43-2750	Nut - Lock	34	9	1
27-7130	Clamp Assembly	52	4	1	43-2820	Cap - Sealing	38	47	1
27-7140	Baffle	52	2	1	43-2820	Cap - Sealing Torque Set	48	32	1
27-7150	Cup Assembly	52	1	1	43-3160	Screw - Adjusting	38	44	1
27-7160	Decal - Instructions	51	5	1	43-3220	Screw - Cap Hex. Hd.	34	5	2

*Not Illustrated

PART NUMBER INDEX (Continued)

Part No.	Description	Pg. Ref. No. No. Qty.	Part No.	Description	Pg. Ref. No. No. Qty.
43-5220	Ring-Retaining	65 11 1	56-1710	Spring - Brush	49 19 4
43-5920	Washer - Lock	35 25 1	56-1720	Bracket - Rear	49 17 1
43-5930	Washer - Lock	57 14 12	56-2460	Washer - Flat	54 14 2
43-5960	Nut - Special	38 46 1	56-7974	Clamp - Tube	32 34 1
43-5970	Nut - Hex.	35 24 1	57-3210	Screw - Special	69 30 4
43-6710	Diff. Adjust. Shim .003	24 15 A/R	57-4910	Screw - Bedknife	69 25 7
43-6711	Diff. Adjust. Shim .005	24 16 A/R	57-6390	Nut - Lock	35 27 2
43-6712	Diff. Adjust. Shim .010	24 17 A/R	61-2790	Screen - Filler	13 3 1
43-6713	Diff. Adjust. Shim .030	24 18 A/R	62-3820	Fitting - Grease	34 24 1
43-6750	Cup-Bearing, Tapered	24 10 1	62-3880	Fitting - Grease	34 4 1
43-6760	Cone-Bearing, tapered	24 9 1	62-5550	Decal - TORO	1 1 1
43-6800	Nut-Lock	26 18 8	62-5550	Decal - TORO	77 5 1
43-6810	Spider-Torque	26 6 2	62-6300	Sleeve Assembly	52 10 1
44-2670	Hose - Fuel	21 19 1	62-7400	Decal - TORO	1 11 1
46-6550	Connector - Fuel Elbow 90°	21 21 1	62-7650	Gasket - Sending Unit	21 7 1
46-6560	Grommet	21 22 2	63-6720	Bracket - Fan Idler	35 41 1
46-8091	Screw - Cap Hex. Hd.	2 43 4	63-6760	Throttle Cable Swivel Assy.	6 29 2
47-0110	Spacer - Spindle	35 4 1	63-6890	Hinge - Hood R.H.	1 * 1
48-4220	Air Cleaner Assembly	51 4 1	63-6900	Hinge - Hood L.H.	1 15 1
48-4220	Air Filter Assembly	52 * 1	63-7140	Mount - Engine	35 34 4
48-7430	Pre-Cleaner Assembly	52 * 1	63-7380	Expansion Tank Assembly	51 6 1
48-7700	Screw - Cap Hex. Hd.	35 17 1	63-7400	Washer - Flat	35 33 4
48-7710	Screw - Cap, M8 x 20	57 39 4	63-7430	Gauge - Temperature	10 8 1
48-7780	Screw - Cap Hex. Hd.	54 48 8	63-7440	Solenoid - Stop	34 10 1
48-7930	Nut - Lock	34 13 4	63-7590	Relay - Starter	32 35 1
48-8030	Washer - Flat	59 29 1	63-7610	Hose - Fuel	21 1 1
48-9220	Washer - Flat	54 47 8	63-7610	Hose-Fuel	53 8 1
48-9460	Bolt - Hex. Hd.	55 35 4	63-7620	Hose-Fuel	53 4 1
48-9460	Screw - Cap Hex. Hd.	59 27 1	63-7640	Unit - Sending	21 8 1
48-9460	Screw - Cap, M8 x 25	57 28 20	63-7732	Cable - Brake R.H.	5 * 1
48-9470	Bolt - M10 x 30	56 43 24	63-7733	Cable - Brake L.H.	5 29 1
48-9470	Screw - Cap, M10 x 30	57 10 4	63-7790	Screw - Cap Hex. Hd.	35 11 8
48-9480	Screw - Cap Hex. Hd.	54 30 4	63-7880	Pin - Brake Latch	5 28 1
48-9570	Washer - Lock	34 6 2	63-7900	Rack - Parking Brake	3 20 1
48-9590	Washer - Lock	34 21 1	63-8140	Pulley - Idler	35 43 1
48-9590	Washer - Lock	35 12 10	63-8280	Head - Hydraulic Filter	13 31 1
49-1430	Protector - Seal	70 * 1	63-8280	Head-Filter, Fuel	53 2 1
49-1450	Installer - Seal	70 * 1	63-8290	Vent-Air	53 3 1
49-2040	Screw - Hex. Washer Hd.	2 47 2	63-8300	Element-Spin-On	53 7 1
49-2040	Screw - Hex. Washer Hd.	18 25 4	63-8300	Fuel Filter Assembly	51 13 1
49-2040	Screw - Thread Forming	61 2 10	63-8310	Valve-Drain	53 6 1
49-2040	Screw - Thread Forming	64 41 4	63-8360	Key - Ignition	10 9 1
49-6440	Plate - Traction Pedal	5 11 1	63-8410	Washer - Flat	13 37 3
52-1320	Decal - Fuel (English)	1 28 1	63-8410	Washer - Flat	21 26 3
52-2860	Washer - Flat	7 51 4	63-8610	Bedknife	69 24 1
53-4430	Decal - Oil	18 26 1	65-5100	Handle	1 5 2
53-8150	Pump Assembly	44 21 1	65-8320	Bar - Height-Of-Cut	78 1 1
53-8150	Pump Assembly	47 * 1	66-2320	Bracket - Engine L.H. Front	35 36 1
54-8660	Washer	50 25 1	66-2330	Base - Battery	51 30 1
54-9040	Yoke - End	34 26 1	66-2490	Clamp - Battery	51 22 1
54-9090	Yoke - End	59 7 1	66-2920	Spacer - Throttle	6 31 2
54-9180	Kit - U-Joint	34 25 1	66-2940	Gauge - Fuel	10 1 1
54-9180	Kit - Universal Joint	59 8 2	66-2960	Cluster - Warning	10 7 1
55-4300	Decal - Warning (English)	61 33 3	66-3180	Tube - Vent	32 22 1
55-4300	Decal - Warning (English)	63 37 2	66-3240	Cap - Radiator	32 8 1
56-0020	Plug	40 24 3	66-5400	Seat Assembly	6 1 1
56-0020	Plug - Expansion	41 18 1	66-8121	Standpipe - Elbow 90°	21 20 1
56-0020	Plug-Expansion	44 12 3	66-8520	Bumper-Downstop	8 17 2
56-0100	Plug - Taper	44 37 1	66-8530	Adjuster	8 16 1
56-0220	Pin - Dowel	44 35 2	66-8560	Nut-Push	8 11 4
56-0480	Key - Woodruff	37 18 2	66-8610	Weldment-Lower	8 10 1
56-0480	Key - Woodruff	40 8 1	66-8800	Relay - Glow Plug	32 37 1
56-1060	Snap Ring	40 15 1	66-9290	Spacer	8 15 6
56-1230	Shaft - Oil Filter	44 28 1	66-9770	Seal	4 28 1
56-1570	Bolt Set	49 8 1	66-9780	Bushing	4 29 1
56-1580	Armature Set	49 23 1	66-9850	Bolt-Special	4 36 4
56-1590	Bearing - Front	49 22 1	66-9860	Upper Cover & Jacket	4 37 1
56-1600	Bearing - Rear	49 21 1	66-9870	Plate-Retaining	4 38 1
56-1610	Bolt	49 16 1	66-9880	Washer-Retaining Plate	4 39 1
56-1640	Stopper Set	49 13 1	66-9890	Ring-Retaining	4 40 1
56-1670	Gear	49 10 1	66-9900	Shaft-Input	4 41 1
56-1680	Cover Set	49 9 1	66-9970	Spring Kit	4 * 1
56-1700	Holder - Brush	49 18 1	66-9980	Seal-Kit	4 * 1

*Not Illustrated

PART NUMBER INDEX (Continued)

Part No.	Description	Pg. Ref. No. No. Qty.	Part No.	Description	Pg. Ref. No. No. Qty.
66-9990	Needle Roller Kit	4 * 1	67-2910	Gear	37 7 1
67-1630	Spacer - Fan	35 8 1	67-2920	Crankshaft	37 16 1
67-1690	Fitting - Fuel Elbow 90°	21 30 2	67-2930	Pulley - Crankshaft	37 19 1
67-1700	Decal - Starting Fluid	51 3 1	67-2940	Nut - Jam	37 22 1
67-1750	Bushing - Sleeve	54 13 2	67-2950	Washer	37 20 1
67-1750	Bushing - Sleeve	61 9 12	67-2960	Washer - Lock	37 21 1
67-1750	Bushing - Sleeve	63 25 8	67-2970	Flywheel Assembly	37 13 1
67-1750	Bushing - Sleeve	71 1 2	67-2980	Gear - Ring	37 15 1
67-2200	Seal	40 4 4	67-2990	Bolt	37 14 4
67-2210	Plug - Taper	44 36 3	67-3000	Washer	40 10 2
67-2230	Seal-Oil	44 14 1	67-3010	Cam Shaft	40 7 1
67-2250	Bolt	40 5 8	67-3020	Gear	40 12 1
67-2260	Shaft-Idler	44 34 1	67-3030	Bearing	40 9 2
67-2270	Case - Oil Seal	44 15 1	67-3040	Plate	40 14 1
67-2280	Gasket-Seal, Oil	44 13 1	67-3050	Bearing	40 22 1
67-2290	Cover	44 10 1	67-3060	Shaft	40 21 1
67-2300	Gasket	44 9 1	67-3070	Gear	40 17 1
67-2310	Plate - Front	39 6 1	67-3080	Snap Ring	40 23 1
67-2320	Gasket - Plate	39 7 1	67-3090	Gear Assembly	40 13 1
67-2330	Bolt	41 34 4	67-3100	Retainer	37 32 6
67-2330	Bolt	42 49 2	67-3110	Spring	37 31 6
67-2330	Bolt	43 3 2	67-3120	Tappet	37 6 6
67-2330	Bolt	44 16 6	67-3130	Valve - Intake	37 28 3
67-2340	Bolt W/Washer	39 3 3	67-3140	Valve - Exhaust	37 29 3
67-2340	Bolt W/Washer	41 17 4	67-3150	Rod-Push	37 5 6
67-2340	Bolt W/Washer	44 11 2	67-3160	Arm-Rocker	37 1 6
67-2340	Screw - Hex. Washer Hd.	34 18 1	67-3170	Spring	38 40 2
67-2350	Plug - Expansion	44 25 1	67-3180	Cap	37 34 6
67-2360	Bushing - Knock	44 26 2	67-3190	Rocker Shaft Assembly	37 38 1
67-2370	Bushing - Knock	44 32 1	67-3200	Stay - Rocker	37 35 3
67-2380	Bushing - Knock	44 27 3	67-3210	Screw - Adjusting	37 4 6
67-2390	Plug - Taper	44 24 1	67-3220	Pin	37 37 1
67-2410	Bearing Set 0.25 mm US	40 * 1	67-3230	Nut - Jam	37 2 6
67-2420	Bearing Set 0.50 mm US	40 * 1	67-3240	Snap Ring	37 3 2
67-2430	Bracket - Starter	44 23 1	67-3250	Bolt-Rocker Stay	38 43 2
67-2440	Bolt W/Washer	44 22 3	67-3260	Washer	38 41 3
67-2480	Gasket - Oil Pan	39 17 1	67-3260	Washer	48 8 2
67-2500	Plunger - Relief	39 25 1	67-3260	Washer	50 3 1
67-2510	Spring - Relief	39 26 1	67-3280	Shim 0.2 mm	44 38 1
67-2520	Plug	39 28 1	67-3290	Shim 0.3 mm	44 * 1
67-2530	Gear - Inner	39 12 1	67-3300	Shim 0.5 mm	44 * 1
67-2540	Gear - Outer	39 11 1	67-3310	Shim 0.4 mm	44 * 1
67-2550	Housing - Oil Pump	39 10 1	67-3320	Shim 0.6 mm	44 * 1
67-2560	Bolt W/Washer	39 9 3	67-3330	Shim 0.7 mm	45 38 1
67-2570	Plug - Taper	39 29 1	67-3340	Shim 0.8 mm	45 * 1
67-2570	Plug - Taper	41 19 1	67-3350	Shim 0.9 mm	45 * 1
67-2580	Gasket - Case	39 2 1	67-3360	Shim 1.0 mm	45 * 1
67-2590	Seal - Oil	39 23 1	67-3370	Bolt W/Washer	45 39 4
67-2600	Bolt	39 21 3	67-3380	Nozzle & Holder Assembly	44 6 1
67-2600	Bolt	43 5 1	67-3380	Nozzle and Holder Assembly	47 * 3
67-2610	Bolt	39 22 4	67-3390	Gasket - Nozzle Holder	44 7 3
67-2610	Bolt	43 9 2	67-3400	Pipe Assy. No. 1	45 42 1
67-2620	Bolt	39 24 1	67-3410	Pipe Assy. No. 2	45 43 1
67-2630	Seal - O-Ring	39 20 2	67-3420	Pipe Assy. No. 3	44 1 1
67-2640	Cap	39 30 1	67-3430	Nut	44 2 3
67-2650	Cap - Oil Filler	41 11 1	67-3440	Gasket	44 4 3
67-2650	Oil Fill Cap Assembly	39 32 1	67-3460	Housing-Pump	46 9 1
67-2660	Seal - O-Ring	39 31 1	67-3480	Seal - O-Ring	46 4 3
67-2660	Seal - O-Ring	41 10 1	67-3490	Spring	46 5 3
67-2670	Hose - Breather	41 8 1	67-3500	Valve	46 7 3
67-2680	Hanger - Engine	41 16 2	67-3520	Sleeve	46 10 3
67-2700	Guide - Valve	41 42 6	67-3530	Seat - Spring Upper	46 11 3
67-2710	Cap - Sealing	41 41 3	67-3540	Spring	46 12 3
67-2730	Bolt	41 43 8	67-3550	Seat - Spring Lower	46 13 3
67-2740	Bolt - Flange	41 15 3	67-3560	Plate - Shim 1.85 mm	46 14 1
67-2750	Cover Assembly	41 6 1	67-3570	Plate - Shim 1.9 mm	46 * 1
67-2760	Gasket	41 14 1	67-3580	Plate - Shim 1.95 mm	46 * 1
67-2770	Nut - Cap	41 12 2	67-3590	Plate - Shim 2.0 mm	46 * 1
67-2780	Washer	41 13 2	67-3600	Plate - Shim 2.05 mm	46 * 1
67-2850	Rod Assembly-Connecting	37 9 3	67-3610	Plate - Shim 2.1 mm	46 * 1
67-2860	Bolt	37 12 6	67-3620	Plate - Shim 2.15 mm	46 * 1
67-2890	Bearing Set 0.25 mm US	37 * 3	67-3630	Plate - Shim 2.2 mm	46 * 1
67-2900	Bearing Set 0.50 mm US	37 * 3	67-3640	Plate - Shim 2.25 mm	46 * 1

*Not Illustrated

PART NUMBER INDEX (Continued)

Part No.	Description	Pg. No.	Ref. No.	Qty.	Part No.	Description	Pg. No.	Ref. No.	Qty.
67-3650	Plate - Shim 2.3 mm	46	14	1	67-4460	Gasket - Switch	41	31	1
67-3660	Plate - Shim 2.35 mm	46	*	1	67-4470	Bolt	41	33	1
67-3670	Plate - Shim 2.4 mm	46	*	1	67-4480	Pipe - By-Pass	41	37	1
67-3680	Plate - Shim 2.45 mm	46	*	1	67-4490	Gasket	41	30	1
67-3690	Plate - Shim 2.5 mm	46	*	1	67-4500	Switch - Thermo	41	29	1
67-3700	Tappet	46	15	3	67-4510	Gauge Nut - Temperature	41	35	1
67-3710	Screw - Air Bleed	46	24	1	67-4520	Pipe	41	2	1
67-3720	Washer	46	23	1	67-4530	Cover - Intake	41	5	1
67-3730	Screw	46	22	1	67-4540	Seal - O-Ring	41	3	1
67-3740	Holder-Delivery Valve	46	3	3	67-4550	Gasket-Intake Manifold	41	44	1
67-3740	Nipple - Swivel	46	21	1	67-4560	Manifold - Exhaust	41	24	1
67-3750	Washer	46	20	2	67-4570	Gasket - Exhaust Manifold	41	26	1
67-3760	Plate - Lock	46	2	3	67-4580	Bolt	41	22	2
67-3770	Screw W/Washer	46	1	3	67-4590	Bolt	41	23	4
67-3780	Rack	46	19	1	67-4610	Bolt W/Washer	49	2	2
67-3790	Screw	46	17	2	67-4620	Spacer	50	21	1
67-3800	Bracket - Wire Stop	46	18	1	67-4630	Alternator Assembly	50	1	1
67-3810	Pin - Tappet Guide	46	16	3	67-4640	Bolt	50	22	1
67-3830	Washer 1.25 mm	46	31	1	67-4660	Bolt - Flange	50	26	1
67-3840	Washer 1.3 mm	47	31	1	67-4670	Nut	50	2	1
67-3850	Washer 1.35 mm	47	*	1	67-4680	Plug - Glow	41	39	3
67-3860	Washer 1.4 mm	47	*	1	67-4690	Plate - Glow Plug	41	40	1
67-3870	Washer 1.45 mm	47	*	1	67-4700	Lamp - Glow	41	27	1
67-3880	Washer 1.5 mm	47	*	1	67-4700	Resister - Glow	32	44	1
67-3890	Washer 1.55 mm	47	*	1	67-4720	Lever	49	4	1
67-3900	Washer 1.6 mm	47	*	1	67-4730	Spring Set	49	5	1
67-3910	Washer 1.65 mm	47	31	1	67-4750	Switch	49	7	1
67-3920	Washer 1.7 mm	47	*	1	67-4760	Shaft Assembly	49	15	1
67-3930	Spring	46	30	3	67-4770	Pinion Set	49	14	1
67-3940	Pin - Pressure	46	29	3	67-4780	Gear Set	49	12	1
67-3950	Piece - Distance	46	28	3	67-4790	Shaft	49	11	1
67-3960	Nozzle	46	27	3	67-4800	Yoke	49	20	1
67-3970	Nut - Retaining	46	25	3	67-4810	Pulley Set	50	16	1
67-3980	Gasket	46	26	3	67-4820	Bolt Set	50	20	1
67-3990	Lever - Speed Control	48	1	1	67-4830	Front Bracket Assembly	50	15	1
67-4000	Pin	48	2	2	67-4840	Screw Set	50	18	1
67-4010	Stopper	48	15	1	67-4850	Bearing - Front	50	19	1
67-4030	Rod - Tie	48	23	1	67-4860	Rotor Assembly	50	7	
67-4040	Weight Assembly	48	13	1	67-4870	Bearing - Rear	50	6	1
67-4050	Shaft - Governor	48	19	1	67-4880	Stator	50	10	1
67-4060	Lever - Governor	48	18	1	67-4890	Rear Cover Assembly	50	9	1
67-4070	Shaft - Sliding	48	16	1	67-4900	Terminal Set	50	11	1
67-4080	Clip	48	24	1	67-4910	Regulator Assembly	50	12	1
67-4090	Lever - Tension	48	21	1	67-4920	Brush	50	13	2
67-4110	Cover Assembly	48	*	1	67-4930	Rectifier	50	8	1
67-4120	Pin - Grooved	48	35	1	67-5040	Spring	48	20	1
67-4130	Cover - Governor	48	4	1	67-7130	Diode	9	2	1
67-4140	Lever - Stop	48	11	1	67-7160	Block - Fuse	10	21	3
67-4150	Lever - Stop	48	40	1	67-7960	Decal - Warning (English)	71	20	1
67-4160	Gasket	48	5	1	67-9410	Washer - Thrust	54	27	2
67-4170	Spring Set	48	*		67-9550	Kit - Seat Cushion	6	45	1
67-4180	Nut	48	31	1	67-9560	Shell - Seat	6	2	1
67-4190	Spring - Torque	48	28	1	68-5140	Cap - Steering Wheel	3	7	1
67-4200	Nut - Special	48	30	1	68-5370	Decal - TORO	3	5	1
67-4210	Case - Torque Spring	48	26	1	68-6150	Breather - Hydraulic Tank	13	2	1
67-4220	Screw - Adjusting	48	29	1	68-6821	Axle Assembly	54	42	1
67-4230	Stopper	48	27	1	69-0760	Bracket - Armrest L.H.	76	*	1
67-4270	Bolt	48	3	4	69-0770	Bracket - Armrest R.H.	76	4	1
67-4280	Bolt W/Washer	48	17	1	69-1180	Armrest	76	1	2
67-4290	Nut	48	34	4	69-1260	Spacer	76	6	4
67-4310	Gasket	37	23	1	69-4120	Cartridge Assembly N.C.	17	25	2
67-4330	Oil Filter Assembly	45	40	1	69-4230	Seal Kit	17	30	2
67-4340	Screen Assembly	44	31	1	69-4240	Seal Kit	17	26	2
67-4350	Switch - Oil Pressure	43	8	1	69-4290	Solenoid Coil Assembly	17	4	9
67-4360	Pulley - Water Pump	43	1	1	69-4300	Nut	17	1	9
67-4380	Water Pump Assembly	43	6	1	69-4320	Fitting - Hydraulic 90°	15	25	1
67-4390	Gasket - Water Pump	43	7	1	69-4780	Clamp - Hour Meter	11	42	1
67-4400	Bolt	41	1	2	70-2560	Decal - Gear Lube	54	36	1
67-4400	Bolt	43	4	1	70-2760	Upper Housing	25	26	1
67-4410	V-Belt	43	2	1	70-2780	Piston	65	4	1
67-4420	Fitting - Water	42	46	1	70-2780	Piston	67	4	1
67-4430	Gasket - Fitting	42	45	1	70-8220	Cable - Ground	35	31	1
67-4440	Thermostat	41	38	1	70-8460	Fuel Pump Assembly	21	2	1
67-4450	Fitting - Thermostat	41	32	1					

*Not Illustrated

PART NUMBER INDEX (Continued)

Part No.	Description	Pg. Ref.		Part No.	Description	Pg. Ref.	
		No.	Qty.			No.	Qty.
70-8530	Wire - Fuel Pump	21	28 1	72-5070	Gasket	55	15 2
70-8560	Retainer - Glow Resister	32	45 1	72-5080	Gasket	55	14 2
70-8570	Breaker - Circuit	9	3 1	72-5090	Gear - Bevel	55	21 2
70-8620	Cap - Fuel Tank (Green)	21	23 1	72-5090	Gear - Bevel	57	18 2
70-8621	Cap - Fuel Tank (Black)	21	* 1	72-5100	Spacer	55	20 2
70-8640	Cap - Hydraulic Reservoir	13	8 1	72-5130	Vent	55	23 1
70-8700	Pipe - Fuel Return	44	3 1	72-5140	O-Ring	55	25 1
70-8720	Spring - Tie Rod	48	22 1	72-5150	Plug	55	26 1
70-8760	Starter Assembly	49	1 1	72-5160	Shim .1mm	55	29 1
70-8770	Bracket - Front	49	3 1	72-5170	Shim .15 mm	55	* 1
70-8780	Bracket - Center	49	6 1	72-5180	Shim .5 mm	55	* 1
70-8870	Guide - Oil Level	44	8 1	72-5190	Shim .8 mm	55	* 1
70-8880	Dipstick	44	5 1	72-5200	Shim 1.0 mm	55	* 1
71-1520	Cap - Expansion Tank	51	7 1	72-5210	Shim 1.2 mm	55	* 1
71-2910	Bracket - Engine R.H. Rear	35	10 1	72-5360	Ring - Retaining	55	19 2
71-4330	Seal	25	41 1	72-5370	Ring - Retaining	55	22 2
71-4350	Nut	24	20 1	72-5440	Pin - Spring	56	46 1
71-4450	Bolt - Wheel	54	39 10	72-5460	O-Ring	55	32 1
71-4570	Housing - Clutch	59	23 1	72-5510	Gear Box - Axle	57	23 2
71-4580	Clutch - Roller	59	22 2	72-5520	Case - Knuckle	57	38 2
71-4590	Washer - Thrust	59	14 2	72-5540	Case - Knuckle	57	30 2
71-4740	Tie Rod End Assembly	54	33 2	72-5550	Cover	57	26 2
71-4760	Seal - Tie Rod End	54	32 2	72-5560	Pin - King, Knuckle	57	20 2
72-3420	Shaft - Slip Yoke	59	9 1	72-5570	Shaft - Axle, Outer	57	35 2
72-3440	Yoke - Shaft	59	12 1	72-5580	Gear - Bevel	57	5 4
72-3560	Decal - 4 Wheel Drive	2	50 1	72-5590	Retainer - Bearing	57	15 2
72-3560	Decal - 4 Wheel Drive	11	48 1	72-5600	Washer - Thrust	57	21 2
72-3570	Shim .094 - Diff. Adjust.	24	22 A/R	72-5620	Gasket	57	1 4
72-3571	Shim .096 - Diff. Adjust.	24	* A/R	72-5630	Gasket	57	16 2
72-3572	Shim .098 - Diff. Adjust.	24	* A/R	72-5640	Bearing - Needle	57	22 2
72-3573	Shim .100 - Diff. Adjust.	24	22 A/R	72-5650	Hub - Wheel	57	34 2
72-3574	Shim .102 - Diff. Adjust.	24	* A/R	72-5660	Washer - Shaft, Wheel	57	33 2
72-3575	Shim .104 - Diff. Adjust.	24	* A/R	72-5670	Pin - Dowel	57	7 4
72-3576	Shim .106 - Diff. Adjust.	24	* A/R	72-5680	Spacer	57	19 2
72-3577	Shim .108 - Diff. Adjust.	24	* A/R	72-5720	Ring - Retaining	57	4 2
72-3578	Shim .110 - Diff. Adjust.	24	* A/R	72-5730	Seal - Oil	57	24 4
72-3580	Shim .112 - Diff. Adjust.	24	* A/R	72-5740	Seal - Oil	57	2 2
72-3581	Shim .114 - Diff. Adjust.	24	* A/R	72-5770	Nut - Castle	57	32 2
72-3582	Shim .116 - Diff. Adjust.	24	* A/R	72-5780	Key	57	36 2
72-3583	Shim .118 - Diff. Adjust.	24	* A/R	72-5790	Screw - Cap, M6 x 18	57	13 12
72-3584	Shim .120 - Diff. Adjust.	24	* A/R	72-5800	Bolt	55	1 8
72-3585	Shim .125 - Diff. Adjust.	24	* A/R	72-5810	Bolt	55	7 8
72-3586	Shim .127 - Diff. Adjust.	24	* A/R	72-5820	Plug	55	28 1
72-3587	Shim .129 - Diff. Adjust.	24	* A/R	72-5840	Gasket	55	27 1
72-3588	Shim .131 - Diff. Adjust.	24	* A/R	72-6140	Cover - Rear	50	27 1
72-3590	Shim .133 - Diff. Adjust.	24	* A/R	74-0720	Tube - Manual	6	10 1
72-3591	Shim .135 - Diff. Adjust.	24	* A/R	74-2310	Clamp - Capacitor	10	30 1
72-3592	Shim .137 - Diff. Adjust.	24	* A/R	74-5520	Clutch - Fan	36	53 1
72-3593	Shim .139 - Diff. Adjust.	24	* A/R	74-9100	Pad - Forward	5	12 1
72-3594	Shim .141 - Diff. Adjust.	24	* A/R	74-9110	Pad - Reverse	5	14 1
72-3595	Shim .143 - Diff. Adjust.	24	* A/R	75-0011	Transmission Assembly	22	9 1
72-3596	Shim .145 - Diff. Adjust.	24	* A/R	75-0020	Housing	27	5 1
72-3597	Shim .147 - Diff. Adjust.	24	* A/R	75-0030	Gasket - Housing	27	46 1
72-3598	Shim .149 - Diff. Adjust.	25	22 A/R	75-0040	Center Section	27	18 1
72-3600	Shim .151 - Diff. Adjust.	25	* A/R	75-0060	Plug	27	20 4
72-3620	Gear & Pinion Assembly	25	* 1	75-0070	Plug	27	41 1
72-4380	Seal Kit	70	* 1	75-0080	Trunion	27	7 1
72-4870	Case - Differential	55	24 1	75-0090	Screw - Cap Hex Hd.	27	9 8
72-4880	Cover	55	2 1	75-0100	Trunion	28	49 1
72-4890	O-Ring	55	3 1	75-0110	Screw - Cap Hex Hd.	27	35 2
72-4900	Case - Differential	55	8 1	75-0120	Screw - Cap Hex Hd.	27	28 1
72-4910	Flange - Case, Diff.	55	12 1	75-0130	Screw - Cap Hex Hd.	27	24 3
72-4930	Gear - Side, Differential	55	9 1	75-0140	Spring - Conical	27	26 1
72-4940	Gear - Side, Differential	55	40 1	75-0150	Guide - Seal	27	2 1
72-4950	Gear - Pinion, Differential	55	10 2	75-0160	Plug - Pipe	28	47 1
72-4960	Shim .1 mm	55	5 1	75-0170	Plug - Straight Thread	27	19 4
72-4970	Shim .15 mm	55	* 1	75-0180	Screw - Cap Hex Hd.	27	36 2
72-4980	Shim .5 mm	55	* 1	75-0190	Plug - Special	27	27 2
72-4990	Shim .8 mm	55	* 1	75-0200	Plug - Straight Thread	27	38 2
72-5000	Shim 1.0 mm	55	* 1	75-0210	O-Ring	27	6 2
72-5010	Shim 1.2 mm	55	* 1	75-0220	Pin	28	48 2
72-5020	Shaft - Pinion	56	47 1	75-0230	Seal - Lip	27	8 1
72-5030	Pin - Dowel	56	45 2	75-0240	O-Ring	27	21 6
72-5040	Washer - Gear, Diff.	55	11 1	75-0250	Spring	27	22 1

*Not Illustrated

PART NUMBER INDEX (Continued)

Part No.	Description	Pg. Ref.			Part No.	Description	Pg. Ref.		
		No.	No.	Qty.			No.	No.	Qty.
75-0260	Valve - Relief	27	23	4	75-1290	Bearing Assembly	71	14	2
75-0270	Spring	27	39	1	75-1310	Element - Hydraulic Filter	13	34	1
75-0280	Spring	27	42	1	75-1330	Filter - Oil	22	27	1
75-0290	Spring	27	43	1	75-1350	Cable - Throttle	6	20	1
75-0310	Shim	27	40	1	75-1360	Cable - Battery (Ground)	35	20	1
75-0320	Nipple	27	37	1	75-1370	Battery Cable Assy. (+)	51	17	1
75-0330	Seal - Lip	27	34	1	75-1380	Belt - V	35	44	1
75-0340	Bearing - Needle	27	33	1	75-1390	Panel - Access	2	39	1
75-0350	Pin	27	31	1	75-1400	Motor - Hydraulic	20	21	5
75-0360	Gerotor	27	30	1	75-1400	Reel Motor Assembly	69	29	1
75-0370	O-Ring	27	29	1	75-1410	Panel - Floor	2	41	1
75-0380	Plate - Valve	27	15	1	75-1420	Cover - Steering Tower	1	2	1
75-0390	Plate - Swash	27	12	1	75-1430	Brake Pedal Assembly R.H.	5	35	1
75-0400	Plate - Thrust	27	13	2	75-1440	Pedal - Brake L.H.	5	33	1
75-0410	O-Ring	27	3	1	75-1470	Shaft - Brake Pedal	5	36	1
75-0420	Shaft - Pump	27	11	1	75-1490	Rod - Parking Brake	3	13	1
75-0430	Ring - Retaining	27	1	1	75-1520	Wiehle Roller Assembly	71	15	1
75-0440	Shaft - Motor	27	45	1	75-1560	Deflector - Rear	69	9	1
75-0450	Collar	28	50	1	75-1600	Carrier Frame Assembly	71	3	1
75-0460	Bearing - Ball	28	51	2	75-1610	Bracket - HOC Rear R.H.	71	*	1
75-0470	Cylinder Block Kit	27	14	2	75-1620	Bracket - HOC Rear L.H.	71	7	1
75-0480	Pin	27	10	2	75-1710	Support - Cutting Unit	71	19	1
75-0490	Plate - Valve	27	44	1	75-1720	Flap - Rear Shield	69	11	2
75-0500	Bearing - Needle	27	16	2	75-1740	Spring - Scraper	75	2	2
75-0510	Pin	27	17	2	75-1750	Scraper - Roller	75	1	1
75-0520	Bearing - Ball	27	4	1	75-1840	Shield - Grass	69	5	1
75-0530	Controller - Electronic	10	31	1	75-1850	Rear Roller Assembly	71	16	1
75-0540	Tether - Cap	13	7	1	75-1960	Bracket - HOC Front R.H.	71	*	1
75-0550	Strainer - Suction	13	29	1	75-1980	Bracket - HOC Front L.H.	71	13	1
75-0560	Wheel - Steering	3	4	1	75-2010	Relief Cartridge Assembly	17	29	1
75-0570	Cable - Hood	1	14	1	75-2020	Solenoid Assembly	17	36	2
75-0580	Panel - Tower	3	10	1	75-2030	Solenoid Assembly N.O.	17	27	2
75-0590	Panel - Control	10	14	1	75-2040	Solenoid Assembly N.C.	17	8	1
75-0600	Steering Valve Assembly	3	26	1	75-2050	Solenoid Assembly N.C.	17	24	3
75-0600	Valve-Power Steering	4	*	1	75-2060	Rotary Cartridge Assembly	17	23	2
75-0610	Tread - Foot R.H.	2	*	1	75-2070	Plug - Orifice	17	31	2
75-0620	Tread - Foot L.H.	2	37	1	75-2080	Seal Kit	17	7	8
75-0630	Tread - Foot Center	2	40	1	75-2090	Seal Kit	17	35	3
75-0640	Tread - Footrest R.H.	2	*	1	75-2110	Head	65	9	1
75-0650	Tread - Footrest L.H.	2	36	1	75-2120	Clevis W.A.	67	12	1
75-0660	Decal - Reelmaster 223D	1	8	2	75-2140	Seal repair Kit	65	*	1
75-0670	Decal - Hood Trim L.H.	1	12	1	75-2140	Seal repair Kit	67	*	1
75-0680	Decal - Hood Trim R.H.	1	*	1	75-2150	Control Manifold Assembly	15	6	1
75-0690	Decal - Instruction	10	27	1	75-2160	Bearing - Flange	71	18	2
75-0711	Front Axle Assembly	23	43	1	75-2170	Tube - Pump Control	5	37	1
75-0720	Housing-Lower	25	34	1	75-2190	Sleeve - Pump	30	6	1
75-0730	Decal - Instructions	2	48	1	75-2200	Frame Assembly	1	32	1
75-0740	Decal - Hydraulic Oil	1	4	1	75-2240	Hose - Radiator Upper	32	18	1
75-0750	Decal - Backlap Switch	32	41	1	75-2260	Hose - Radiator Lower	32	21	1
75-0760	Decal - Solenoid Info.	6	40	1	75-2430	Coupling - Transmission	30	7	1
75-0780	Hydraulic Cylinder Assembly	62	46	1	75-2460	Hose - Air Cleaner	35	15	1
75-0780	Hydraulic Cylinder Assy.	64	40	2	75-2460	Hose - Air Cleaner	51	1	1
75-0800	Gear Pump Assembly	30	18	1	75-2810	Clamp - Steering Valve	3	3	1
75-0810	Decal - Caution (English)	23	48	2	75-2820	Grill - Hood	1	7	1
75-0900	Engine Assembly	35	22	1	75-2830	Bracket - Engine L.H. Rear	35	28	1
75-0920	Relief Cartridge Assembly	17	28	1	75-2850	Hose - Expansion Tank	32	10	1
75-0930	Hook - Oil Cooler	33	50	4	75-2850	Hose - Expansion Tank	51	9	1
75-0940	Guard - Flywheel	34	22	1	75-2860	Bracket - Hose	1	35	1
75-1010	Toggle Switch Assembly	10	16	1	75-2860	Bracket - Hose	32	31	1
75-1020	Switch - Backlap	32	38	1	75-2970	Pedal - Traction	5	13	1
75-1040	Cooler - Oil	32	2	1	75-3010	Joint - Arm	62	54	3
75-1070	Muffler	34	11	1	75-3010	Joint - Arm	63	31	2
75-1080	Tank - Fuel	21	24	1	75-3040	Carrier Frame Assembly	62	44	1
75-1100	Support - Axle	54	5	1	75-3100	Transmission Support Assy.	22	7	1
75-1170	Reservoir - Hydraulic	13	1	1	75-3110	Collar - Transmission	22	8	1
75-1180	Manifold	19	7	2	75-3140	Bracket - Air Cleaner	51	25	1
75-1180	Manifold - Hydraulic	18	21	1	75-3270	Lever - Traction Pivot	5	8	1
75-1190	Manifold - Hydraulic	18	18	1	75-3300	Frame - Seat	6	27	1
75-1210	Nut - Lock	58	2	1	75-3390	Bracket - Backlap	32	39	1
75-1220	Piston	58	3	1	75-3400	Shaft - Seat Pivot	6	14	1
75-1250	Seal Kit	58	6	1	75-3420	Lift Control Assembly	10	37	1
75-1260	Head - Internal	58	4	1	75-3430	Rod - Throttle	6	34	1
75-1270	Repair Kit	70	*	1	75-3480	Weldment-Upper	8	23	1
75-1280	Decal - Warning (English)	1	22	1	75-3490	Spring-Extension	8	14	2

* Not Illustrated

PART NUMBER INDEX (Continued)

Part No.	Description	Pg. Ref.			Part No.	Description	Pg. Ref.		
		No.	No.	Qty.			No.	No.	Qty.
75-3500	Weldment-Hanger	8	18	1	75-5080	Piston & Pin Set STD	37	10	3
75-3510	Bolt-Shoulder	8	26	2	75-5090	Piston & Pin Set	37	*	3
75-3530	Spring-Compression	8	3	1	75-5100	Piston & Pin Set	37	*	3
75-3540	Pin-Roll	8	6	1	75-5110	Cover Assy.	37	24	1
75-3550	Bumper-Seat	8	7	2	75-5120	Gasket	38	45	1
75-3580	Plate-Mounting, Seat	8	2	1	75-5160	Plate - Support	33	56	2
75-3680	Rod - Seat	6	18	1	75-5190	Decal - No Riders (English)	1	25	2
75-3710	Dipstick	13	4	1	75-5200	Bracket - Spring R.H.	61	*	1
75-3750	Pin - Pivot	63	38	2	75-5210	Bracket - Spring Center	61	16	1
75-3780	Fan	36	52	1	75-5220	Bracket - Spring L.H.	61	*	1
75-3790	Clevis W.A.	65	12	1	75-5230	Hose - Hydraulic	15	14	2
75-3810	Bracket - Roller	63	11	2	75-5240	Tube - Hydraulic	16	38	1
75-3840	Fender - R.H.	1	3	1	75-5240	Tube - Hydraulic	30	12	1
75-3860	Fender - L.H.	1	29	1	75-5250	Tube - Hydraulic	16	39	1
75-3880	Plate - Seat	6	15	1	75-5250	Tube - Hydraulic	30	13	1
75-3920	Guide - Basket	72	12	1	75-5260	Knob - Locking	6	38	2
75-3930	Pin - Basket	72	4	2	75-5270	Spacer - Locking Knob	6	37	2
75-3940	Collar - Basket	72	10	1	75-5300	Rod - Hose Support	18	24	2
75-3950	Bracket - Basket	72	11	1	75-5300	Rod - Hose Support	62	63	1
75-3960	Spring - Torsion L.H.	72	*	1	75-5310	Spacer - Bearing	35	5	1
75-3970	Spring - Torsion R.H.	72	9	1	75-5330	Clamp - Hose	61	8	3
75-4010	Basket - Grass	72	1	1	75-5330	Clamp - Hydraulic Line	64	42	2
75-4020	Support - Basket Inner R.H.	72	*	1	75-5340	Spacer - Pivot	61	10	2
75-4030	Support - Basket Inner L.H.	72	3	1	75-5350	Pin - Cylinder Rod End	61	31	3
75-4040	Support - Basket Outer L.H.	72	15	1	75-5350	Pin - Cylinder Rod End	63	22	2
75-4050	Support - Basket Outer R.H.	72	*	1	75-5360	Pin - Cylinder Cap End	64	39	2
75-4060	Screen - Radiator	32	1	1	75-5370	Mount - Clamp	61	36	1
75-4080	Plate - Traction	29	15	1	75-5380	Bracket - Clamp	61	38	1
75-4090	Switch Arm Assembly	29	21	1	75-5390	Roller	63	14	2
75-4100	Control - Pump	29	25	1	75-5400	Shaft - Roller	63	13	2
75-4130	Plate - Switch	29	7	1	75-5410	Bracket - Arm	62	53	2
75-4140	Bracket - Spring	29	16	1	75-5420	Lift Arm Assembly Center	61	40	1
75-4180	Pin - Rear Axle	54	44	1	75-5430	Lift Arm Assy. Rear L.H.	63	*	1
75-4220	Bracket - Fan	35	40	1	75-5440	Lift Arm Assy. Rear R.H.	63	23	1
75-4250	Bracket - Expansion Tank	51	23	1	75-5450	Lift Arm Assembly R.H.	61	1	1
75-4260	Support - Radiator	32	5	1	75-5460	Lift Arm Assembly L.H.	61	32	1
75-4310	Shield - Radiator	32	30	1	75-5470	Spacer	29	12	2
75-4350	Shroud - Fan	32	12	1	75-5480	Manifold - Tank	13	14	1
75-4360	Bracket - Switch	6	8	1	75-5720	Hose - Hydraulic	13	19	1
75-4370	Bracket - Switch (Seat)	6	3	1	75-5730	Insulator - Terminal	51	*	1
75-4380	Bracket - Fuse Block	10	23	1	75-5740	Box - Control	10	24	1
75-4400	Adaptor - Transmission	30	8	1	75-5810	Box - Tool	1	26	1
75-4450	Hub - Fan Drive	35	6	1	75-5880	Hose - Hydraulic	61	6	1
75-4490	Bracket - Muffler	34	16	1	75-5890	Hose - Hydraulic	15	35	1
75-4520	Spring - Torsion R.H.	63	29	1	75-5890	Hose - Hydraulic	18	7	1
75-4530	Spring - Torsion L.H.	63	*	1	75-5890	Hose - Hydraulic	61	28	2
75-4550	Shaft - Center Arm Pivot	61	27	1	75-5900	Hose - Hydraulic	15	30	1
75-4590	Rod - Pivot	63	28	2	75-5900	Hose - Hydraulic	62	47	1
75-4630	Coupling - Driveshaft	34	7	1	75-5910	Hose - Hydraulic	18	8	1
75-4650	Bracket - Spring Rear L.H.	63	*	1	75-5910	Hose - Hydraulic	62	60	1
75-4690	Bracket - Spring Rear R.H.	63	6	1	75-5940	Hose - Hydraulic	18	6	1
75-4700	Hose - Fuel	21	13	1	75-5940	Hose - Hydraulic AUX	3	23	1
75-4701	Hose - Fuel	21	15	1	75-5950	Hose - Hydraulic	15	16	1
75-4701	Hose - Fuel Vent	32	24	1	75-5950	Hose - Hydraulic	18	20	1
75-4710	Harness - Warning Light	10	*	1	75-5950	Hose - Hydraulic	20	16	1
75-4720	Fitting - Hydraulic 90°	22	23	1	75-5960	Hose - Hydraulic	18	22	1
75-4900	Bearing Set STD	40	3	1	75-5960	Hose - Hydraulic	20	20	1
75-4910	Oil Pan Assembly	39	14	1	75-5970	Hose - Hydraulic	18	23	1
75-4920	Case	39	1	1	75-5980	Hose - Hydraulic	18	1	1
75-4930	Cylinder Head Assembly	41	28	1	75-5980	Hose - Hydraulic	20	5	1
75-4940	Brace - Alternator	50	23	1	75-5990	Hose - Hydraulic	16	37	1
75-4950	Gasket - Cylinder Head	41	25	1	75-5990	Hose - Hydraulic	20	17	1
75-4960	Block Assembly	40	1	1	75-6000	Hose - Hydraulic	15	4	1
75-4970	Element	46	8	3	75-6000	Hose - Hydraulic	20	6	1
75-4980	Lever - Governor Spring	48	7	1	75-6010	Hose - Hydraulic	20	15	1
75-4990	Spring - Governor	48	25	1	75-6020	Hose - Hydraulic	18	11	1
75-5000	Body	47	32	3	75-6020	Hose - Hydraulic	19	15	1
75-5010	Bearing Set STD	37	8	3	75-6030	Hose - Hydraulic	20	1	1
75-5020	Injector Pump Assembly	45	41		75-6040	Hose - Hydraulic	15	27	1
75-5040	Gasket Kit	39	*	1	75-6040	Hose - Hydraulic	20	10	1
75-5050	Ring Set STD	37	11	3	75-6050	Hose - Hydraulic	15	24	1
75-5060	Ring Set 0.25 mm OS	37	*	3	75-6050	Hose - Hydraulic	20	14	1
75-5070	Ring Set 0.50 mm OS	37	*	3	75-6060	Hose - Hydraulic	15	33	1

*Not Illustrated

PART NUMBER INDEX (Continued)

Part No.	Description	Pg. No.	Ref. No.	Qty.	Part No.	Description	Pg. No.	Ref. No.	Qty.
75-6060	Hose - Hydraulic	19	12	1	76-8640	Stud - Traction	29	23	1
75-6070	Hose - Hydraulic	19	14	1	76-8730	Decal - Bolt Torque	22	22	2
75-6070	Hose - Hydraulic L.H. (Cap)	63	*	1	76-8750	Plate - Caution	32	14	1
75-6080	Hose - Hydraulic	19	13	1	76-9430	Spring - Extension	29	8	1
75-6080	Hose - Hydraulic L.H. (Rod)	63	*	1	77-0490	Decal - Bolt (English)	22	20	1
75-6100	Hose - Hydraulic	20	12	1	77-2980	Arm - Knuckle	57	8	2
75-6110	Hose - Hydraulic	20	9	1	80-4860	Pin-Clevis	8	1	1
75-6120	Hose - Hydraulic	15	15	1	82-6490	Hose - Hydraulic	62	65	1
75-6120	Hose - Hydraulic	20	11	1	82-6830	Bracket - Scraper	73	8	1
75-6130	Hose - Hydraulic	13	9	1	82-6830	Bracket - Scraper	74	*8	5
75-6140	Hose - Hydraulic	13	30	1	82-6910	Screw - Cap Hex. Hd.	54	26	4
75-6140	Hose - Hydraulic R.H.	32	46	1	82-8110	Retainer - Oil Guide	45	44	1
75-6150	Hose - Hydraulic	22	15	1	82-8270	Valve - Flow Control	15	31	1
75-6150	Hose - Hydraulic	32	20	1	82-8270	Valve - Flow Control	19	9	1
75-6160	Hose - Hydraulic	15	21	1	82-8520	Detent Assembly Kit	17	*	1
75-6160	Hose - Hydraulic L.H.	32	*	1	82-9060	Adjuster W/Handle	8	13	1
75-6170	Hose - Hydraulic	22	11	1	83-4780	Housing - Charge Pump	27	32	1
75-6170	Hose - Hydraulic	32	17	1	83-4870	Bracket - High Scraper R.H.	74	*7	5
75-6180	Hose - Hydraulic	19	1	2	83-4880	Bracket - High Scraper L.H.	74	*6	5
75-6180	Hose - Hydraulic R.H.	63	16	2	83-4890	Valve - SCR	27	25	1
75-6190	Hose - Hydraulic	20	8	1	83-4900	Shaft - Traction	59	31	1
75-6200	Hose - Hydraulic	13	21	1	83-4910	Coupler - Pinion	25	40	1
75-6200	Hose - Hydraulic	18	12	1	83-4930	Arm - Steering L.H.	54	31	1
75-6220	Hose - Hydraulic	54	23	1	83-4950	Arm - Steering R.H.	54	46	1
75-6220	Hose - Hydraulic LT	3	24	1	83-4970	Bracket - Bearing	59	3	1
75-6230	Hose - Hydraulic	54	24	1	83-5010	Tie Rod Assembly	54	*	1
75-6230	Hose - Hydraulic RT	3	18	1	83-5020	Tube & Clamp Assembly	54	12	1
75-6240	Hose - Hydraulic	30	14	1	83-5030	Hydraulic Cylinder Assembly	54	28	1
75-6240	Hose - Hydraulic IN	3	19	1	83-5040	Washer	54	15	1
75-6250	Hose - Hydraulic	13	17	1	83-5100	Support - Cylinder	54	17	1
75-6250	Hose - Hydraulic OUT	3	25	1	83-5110	Stop - Axle	54	6	2
75-6260	Cover - Tool Box	1	23	1	83-5130	Spacer - Pinion	24	21	1
75-6270	Cover - Control Box	10	15	1	83-5150	Pin - Cylinder	54	18	1
75-6280	Bracket - Hose	2	46	1	83-5160	Shim	54	29	2
75-6290	Radiator	32	7	1	83-5170	Stop - Cutting Unit	60	2	1
75-6300	Sensor - Reed Switch	61	12	1	83-5180	Shim - Axle	54	35	2
75-6310	Magnet - Reed Switch	62	51	1	83-5190	Drive Shaft Assembly	59	*	1
75-6320	Sensor - Switch	6	6	1	83-5210	H.O.C. - Right Rear	74	1	5
75-6330	Magnet - Switch	6	5	1	83-5230	H.O.C. - Left Rear	74	3	5
75-6340	Strainer - In-Line	22	35	1	83-5240	Support - Front R.H.	74	5	5
75-6350	Hose	22	25	1	83-5250	Support - Front L.H.	74	4	5
75-6370	Cover - Sensor	62	49	1	83-5260	Tube - Slip Yoke	59	11	1
75-6380	Shaft - Fan	35	1	1	83-5270	Tube - Axle, R.H.	55	16	1
75-6390	Pulley - Fan	35	3	1	83-5280	Axle - R.H.	55	17	1
75-6410	Yoke - Shaft	34	2	1	83-5290	Tube - Axle, L.H.	56	44	1
75-6420	Yoke - Slip Tube	34	3	1	83-5310	Axle - L.H.	55	41	1
75-6490	Lever - Pedal Stop	5	20	1	83-5330	Washer - Bearing	55	38	1
75-6510	Lever - Bracket	5	16	1	83-5340	Nut - Bearing	55	37	1
75-6550	Disc - Friction	5	17	1	83-5350	Case - Bearing	55	33	1
75-6580	Cable - Pedal	5	7	1	83-5360	Seal - Oil	55	36	1
75-6620	Gauge - Speedometer	10	2	1	83-5370	Ring & Pinion Assembly	56	*	1
75-6640	Fitting - Hydraulic 90°	15	20	1	83-5380	Piston Rod Assembly	58	5	1
75-6660	Cutting Unit Frame Assy.	71	10	1	83-6780	Pin - Cylinder (Long)	62	61	2
75-6660	Frame - Cutting Unit	69	27	1	83-6790	Pin - Cylinder (Short)	62	43	1
75-6690	Bar - Weight	77	3	1	83-6930	Bracket - Scraper R.H.	73	2	1
75-6700	Sensor - Magnetic	23	44	1	83-6940	Bracket - Scraper L.H.	73	4	1
75-6710	Decal - Fast/Slow	5	18	1	83-6950	Bracket - Scraper R.H.	73	1	1
75-6820	Meter - Hour	11	47	1	83-6980	Bracket - Scraper L.H.	73	5	1
75-6830	Decal - Danger (English)	7	49	1	83-7370	Roof	68	1	1
75-6840	Knob - Knurled	2	38	4	83-7380	Insulation - Roof	68	14	1
75-6850	Tube - Oil Fill	22	40	1	83-7390	Seal	68	2	2
75-6870	Hose - Hydraulic Suction	13	28	1	83-7400	Ear - Lift	68	3	2
75-6870	Hose - Suction	30	1	1	83-7410	Roll - Bar	68	13	1
75-6880	Screen - Spark Arrester	34	*	1	83-7420	Washer - Rubber	68	15	6
75-6910	Solenoid Assembly	17	37	1	83-7430	Decal - Danger	68	12	1
75-6930	Valve - SCR	28	52	1	83-7440	Decal - Knob (English)	7	52	1
75-7540	Decal - Warning (English)	2	49	1	83-7450	Decal - Down (English)	33	60	1
76-1910	Shaft-Pivot	8	12	2	83-7460	Spacer - Wheel	54	41	2
76-1920	Bushing-Sleeve	8	9	4	83-7470	Shim	59	2	2
76-1930	Knob-Tension Adjustment	8	19	1	83-7480	Hydraulic Cylinder Assembly	61	7	1
76-2460	Bearing Assembly	59	5	1	83-7490	Hydraulic Cylinder Assy.	62	67	1
76-2940	Bumper-Rubber	8	8	2	84-1670	Head	67	9	1
76-4690	Axle Coupling Assembly	59	15	1	84-1680	Ring-Retaining	67	11	1

*Not Illustrated

PART NUMBER INDEX (Continued)

Part No.	Description	Pg. Ref.		Part No.	Description	Pg. Ref.	
		No.	Qty.			No.	Qty.
84-1710	Piston	66	4 1	237-161	Seal - O-Ring	22	31 1
84-1720	Head	66	9 1	237-162	Seal - O-Ring	30	5 1
84-1730	Ring-Retaining	66	11 1	237-163	Seal - O-Ring	30	9 1
84-1740	Clevis W.A.	66	12 1	237-165	Grommet	54	9 2
84-1760	Seal repair Kit	66	* 1	240-3	Grommet	33	51 2
84-1820	Harness - Wire Main	9	1 1	240-11	Grommet	13	39 3
84-1820	Harness - Wire Main	11	* 1	240-11	Grommet	21	27 3
84-5280	Pin - Spring	17	38 1	242-34	Stud-Flange, Axle	26	11 10
217-74	Bolt - Bedbar	69	33 2	249-48	Swell Latch Assembly	1	21 3
217-120	Rim	23	46 2	249-48	Swell Latch Assembly	10	5 1
217-121	Rim	54	38 2	2410-18	Plug	78	2 1
218-446	Nut - Locking	10	10 1	2410-73	Retainer - Tether	13	5 1
218-447	Washer - E.T.L.W.	10	11 1	2411-36	Bearing - Rod End	5	2 1
218-498	Nut - Hex.	10	4 2	2412-3	Clamp - Hose	32	19 4
218-498	Nut - Lock	32	42 2	2412-34	Clamp - Hose	13	18 3
218-573	Fuse - 5A	10	20 10	2412-34	Clamp - Hose	22	24 2
218-578	Fuse - 10A	10	* 1	2412-34	Clamp - Hose	30	2 1
218-579	Wire - Fuel Pump	21	29 1	2412-36	Clamp - Drain	21	16 1
218-590	Switch - Micro	10	38 2	2412-42	Clamp - Hose	51	2 1
218-594	Fuse - 20A	10	* 1	2412-74	Clamp - Hose	32	23 1
219-17	Bulb - Light	10	* 4	2412-81	Clamp - R	34	19 1
231-134	Tire	23	45 2	2412-92	Clamp - Hose	35	16 1
231-135	Tire	54	37 2	2412-93	Clamp - R	7	50 1
232-27	Stem - Valve	23	47 2	2412-93	Clamp - R	13	32 2
232-35	Valve - Stem	54	40 2	2412-93	Clamp - R	51	11 1
233-17	Knob - Parking Brake	3	9 1	2412-103	Clamp - R	32	25 1
233-42	Knob	5	19 1	2412-108	Clamp - Hose	21	12 7
233-42	Knob - Throttle	6	35 1	2412-108	Clamp - Hose	32	9 1
237-21	Seal - O-Ring	13	26 1	2412-108	Clamp - Hose	51	8 1
237-21	Seal - O-Ring	15	18 6	2412-108	Clamp-Hose	53	5 2
237-21	Seal - O-Ring	18	2 6	2412-126	Clamp - R	36	54 1
237-21	Seal - O-Ring	19	2 7	2412-133	Clamp - R	6	42 2
237-21	Seal - O-Ring	20	4 8	251-8	Bearing - Ball	57	6 2
237-21	Seal - O-Ring	54	22 2	251-77	Collar - Locking	59	25 1
237-21	Seal - O-Ring	61	5 6	251-259	Bearing - Ball	29	11 2
237-21	Seal - O-Ring	63	18 4	251-263	Bearing - Ball	57	25 2
237-22	Seal - O-Ring	3	14 5	251-318	Bearing - Ball	35	7 2
237-22	Seal - O-Ring	13	23 3	251-337	Bearing - Ball	59	26 1
237-22	Seal - O-Ring	15	1 4	251-344	Bearing - Ball	55	4 1
237-22	Seal - O-Ring	18	13 4	251-345	Bearing - Ball	55	13 1
237-22	Seal - O-Ring	20	19 10	251-348	Bearing - Ball	57	3 2
237-22	Seal - O-Ring	22	12 2	251-349	Bearing - Ball	57	17 2
237-22	Seal - O-Ring	30	15 1	251-350	Bearing - Ball	55	18 2
237-30	Seal - O-Ring	15	13 4	253-61	Seal - Oil	69	22 1
237-30	Seal - O-Ring	30	11 2	253-96	Seal - Oil	69	32 2
237-42	O-Ring	17	33 1	253-155	Seal	59	13 2
237-42	Seal - O-Ring	13	25 2	254-65	Cone-Tapered Bearing	25	28 2
237-42	Seal - O-Ring	15	3 4	254-66	Cup-Tapered Bearing	25	27 2
237-42	Seal - O-Ring	18	16 2	254-72	Cup - Bearing	69	15 2
237-65	Seal - O-Ring	13	10 5	254-91	Cone-Bearing	25	23 1
237-65	Seal - O-Ring	15	22 1	254-94	Cone - Bearing	69	16 2
237-65	Seal - O-Ring	32	47 2	254-108	Bearing - Roller, Tapered	55	31 1
237-69	Seal - O-Ring	22	3 1	254-109	Bearing - Roller, Tapered	55	39 1
237-78	O-Ring	17	12 8	256-42	Bushing - Sleeve	5	34 2
237-78	Seal - O-Ring	15	7 7	256-113	Bushing - Flange	29	19 2
237-78	Seal - O-Ring	18	3 7	256-115	Washer - Thrust	62	41 11
237-78	Seal - O-Ring	19	4 8	256-115	Washer - Thrust	63	26 6
237-78	Seal - O-Ring	20	2 5	256-236	Bearing - Flange	5	24 4
237-78	Seal - O-Ring	22	16 1	256-287	Bushing - Flange	63	30 4
237-78	Seal - O-Ring	54	20 2	281-7	Plug - Pipe, Square Hd.	57	37 2
237-78	Seal - O-Ring	61	3 6	281-10	Plug - Socket, Hex.	57	27 2
237-78	Seal - O-Ring	63	17 4	282-4	Clevis - Spring	61	21 3
237-79	Seal - O-Ring	14	45 1	282-4	Clevis - Spring	63	2 2
237-79	Seal - O-Ring	15	9 2	283-6	Pin - Clevis	61	15 3
237-79	Seal - O-Ring	20	18 10	283-6	Pin - Clevis	63	9 2
237-79	Seal - O-Ring	22	10 2	283-58	Pin - Clevis	5	30 4
237-79	Seal - O-Ring	30	17 3	284-3	Plug - Welch	59	20 1
237-80	O-Ring	17	9 1	302-5	Fitting - Grease	5	39 1
237-81	Seal - O-Ring	13	12 4	302-5	Fitting - Grease	29	20 1
237-81	Seal - O-Ring	15	26 1	302-5	Fitting - Grease	59	4 1
237-81	Seal - O-Ring	22	26 2	302-5	Fitting - Grease	61	11 6
237-141	Bumper	2	42 2	302-5	Fitting - Grease	63	24 4
237-141	Grommet	6	41 1	302-5	Fitting - Grease	65	13 1
237-156	O-Ring	17	14 8	302-5	Fitting - Grease	66	13 1

*Not Illustrated

PART NUMBER INDEX (Continued)

Part No.	Description	Pg. Ref. No. No. Qty.	Part No.	Description	Pg. Ref. No. No. Qty.
302-5	Fitting - Grease	67 13 1	323-9	Screw - Cap Hex. Hd.	76 3 2
302-5	Fitting - Grease	71 4 4	323-10	Screw - Cap Hex. Hd.	61 39 1
302-11	Fitting - Grease	54 49 1	323-11	Screw - Cap Hex. Hd.	35 32 3
302-11	Fitting - Grease R.H. 45°	69 * 1	323-12	Screw - Cap Hex. Hd.	22 28 2
302-55	Fitting - Grease	54 34 2	323-12	Screw - Cap Hex. Hd.	30 3 2
302-58	Fitting - Grease	59 10 2	323-12	Screw - Cap Hex. Hd.	62 56 2
302-60	Fitting - Grease	71 2 1	323-20	Screw - Cap Hex. Hd.	23 42 2
302-60	Fitting - Grease L.H. 90°	69 34 1	323-49	Screw - Cap Hex. Hd.	71 6 2
304-46	Drain - Radiator	33 52 1	323-50	Screw - Cap Hex. Hd.	75 5 2
304-46	Fitting - Drain	21 31 1	324-6	Screw - Cap Hex. Hd.	22 21 4
321-2	Screw - Cap Hex. Hd.	13 6 1	324-23	Screw-Cap, Hex Hd.	24 11 4
321-2	Screw - Cap Hex. Hd.	51 12 1	325-4	Screw - Cap Hex. Hd.	62 59 6
321-4	Screw - Cap Hex. Hd.	6 46 1	325-4	Screw - Cap Hex. Hd.	63 36 4
321-4	Screw - Cap Hex. Hd.	10 33 3	325-5	Screw - Cap Hex. Hd.	54 3 4
321-4	Screw - Cap Hex. Hd.	32 16 7	325-5	Screw - Cap Hex. Hd.	68 8 9
321-4	Screw - Cap Hex. Hd.	36 50 1	325-7	Screw - Cap Hex. Hd.	22 6 2
321-4	Screw - Cap Hex. Hd.	61 35 2	325-8	Screw - Cap Hex. Hd.	77 4 2
321-4	Screw - Cap Hex. Hd.	69 6 2	327-2	Screw - Cap Hex. Hd.	54 4 1
321-6	Screw - Cap Hex. Hd.	51 24 2	328-7	Screw - Cap Hex. Hd.	61 18 4
321-8	Screw - Cap Hex. Hd.	21 6 2	328-9	Screw - Cap Hex. Hd.	61 13 2
321-11	Screw - Cap Hex. Hd.	18 5 4	3210-7	Screw-Cap, Hex Hd.	24 19 8
321-11	Screw - Cap Hex. Hd.	19 6 4	3212-4	Screw - Cap Hex. Hd.	68 * 2
321-23	Screw - Cap Hex. Hd.	13 13 2	3217-9	Nut - Hex.	77 1 2
321-39	Screw - Cap Hex. Hd.	1 10 7	3217-9	Nut - Lock	68 9 3
321-39	Screw - Cap Hex. Hd.	10 26 2	3218-3	Nut - Jam	75 4 4
322-1	Screw - Cap Hex. Hd.	72 13 1	3219-2	Nut	24 1 8
322-2	Screw - Cap Hex. Hd.	32 40 2	3219-14	Nut - Hex.	78 3 1
322-2	Screw - Cap Hex. Hd.	36 51 4	3220-3	Nut - Jam	5 1 2
322-3	Screw - Cap Hex. Hd.	1 27 4	3220-6	Nut	4 27 1
322-3	Screw - Cap Hex. Hd.	3 1 2	3220-6	Nut - Steering Wheel	3 8 1
322-3	Screw - Cap Hex. Hd.	5 25 8	3220-7	Nut - Jam	22 2 1
322-3	Screw - Cap Hex. Hd.	6 13 9	3230-1	Bolt - Carriage	73 3 2
322-3	Screw - Cap Hex. Hd.	10 35 4	3230-1	Bolt - Carriage	74 *9 10
322-3	Screw - Cap Hex. Hd.	15 28 4	3230-2	Bolt - Carriage	35 13 1
322-3	Screw - Cap Hex. Hd.	29 18 2	3230-3	Bolt - Carriage	59 1 3
322-3	Screw - Cap Hex. Hd.	35 14 4	3231-2	Bolt - Carriage	71 5 2
322-3	Screw - Cap Hex. Hd.	51 28 6	3234-14	Screw - Hex. Washer Hd.	1 30 14
322-4	Screw - Cap Hex. Hd.	1 33 2	3234-23	Screw - Hex. Flange Hd.	76 5 6
322-4	Screw - Cap Hex. Hd.	32 32 2	3242-1	Screw - Set Sq. Hd.	74 2 20
322-4	Screw - Cap Hex. Hd.	34 12 1	3242-1	Screw - Sq. Hd. Set	71 8 4
322-4	Screw - Cap Hex. Hd.	51 15 3	3243-13	Screw - Sq. Hd. Set	69 8 4
322-5	Screw - Cap Hex. Hd.	1 18 4	3245-35	Screw - Set	59 24 1
322-5	Screw - Cap Hex. Hd.	32 3 10	3250-29	Screw - Cap Hex. Hd.	6 7 4
322-5	Screw - Cap Hex. Hd.	35 35 8	3250-45	Screw - Pan Hd.	68 10 6
322-5	Screw - Cap Hex. Hd.	61 26 3	3253-3	Washer - Lock	6 32 1
322-5	Screw - Cap Hex. Hd.	63 4 8	3253-3	Washer - Lock	10 32 3
322-5	Screw - Cap Hex. Hd.	69 1 1	3253-3	Washer - Lock	59 16 6
322-6	Screw - Cap Hex. Hd.	33 59 1	3253-3	Washer - Lock	68 16 6
322-6	Screw - Cap Hex. Hd.	72 6 1	3253-4	Washer - Lock	1 17 14
322-7	Screw - Cap Hex. Hd.	29 10 1	3253-4	Washer - Lock	3 2 2
322-8	Screw - Cap Hex. Hd.	59 19 4	3253-4	Washer - Lock	6 12 4
322-9	Screw - Cap Hex. Hd.	34 1 2	3253-4	Washer - Lock	15 29 4
322-10	Screw - Cap Hex. Hd.	29 3 1	3253-4	Washer - Lock	29 17 2
322-11	Screw - Cap Hex. Hd.	35 39 1	3253-4	Washer - Lock	33 53 5
322-12	Screw - Cap Hex. Hd.	34 23 2	3253-4	Washer - Lock	36 49 4
322-12	Screw - Cap Hex. Hd.	64 43 2	3253-4	Washer - Lock	63 10 2
323-2	Screw - Cap Hex. Hd. L.H.	69 21 1	3253-4	Washer - Lock	69 2 1
323-4	Screw - Cap Hex. Hd.	7 47 2	3253-4	Washer - Lock	72 7 2
323-4	Screw - Cap Hex. Hd.	14 43 2	3253-5	Washer - Lock	30 4 2
323-5	Screw - Cap Hex. Hd.	13 36 3	3253-6	Washer - Lock	68 * 2
323-5	Screw - Cap Hex. Hd.	21 25 3	3253-6	Washer-Lock	8 25 2
323-6	Screw - Cap Hex. Hd.	35 9 2	3253-7	Washer - Lock	62 58 6
323-6	Screw - Cap Hex. Hd.	54 1 4	3253-7	Washer - Lock	64 44 4
323-6	Screw - Cap Hex. Hd.	60 1 1	3253-7	Washer - Lock	68 7 9
323-6	Screw - Cap Hex. Hd.	68 5 2	3253-15	Washer - Lock	21 9 5
323-6	Screw - Cap Hex. Hd.	71 12 2	3253-21	Washer - Lock	14 42 2
323-6	Screw - Cap Hex. Hd.	72 2 2	3253-21	Washer - Lock	22 29 2
323-7	Screw - Cap Hex. Hd.	71 21 4	3253-21	Washer - Lock	36 56 1
323-8	Screw - Cap Hex. Hd.	5 3 1	3253-21	Washer - Lock	51 20 1
323-8	Screw - Cap Hex. Hd.	35 42 1	3253-21	Washer - Lock	71 11 2
323-9	Screw - Cap Hex. Hd.	36 55 1	3253-27	Washer - Lock	77 2 2
323-9	Screw - Cap Hex. Hd.	51 19 1	3255-8	Washer - Lock	35 18 2
323-9	Screw - Cap Hex. Hd.	54 11 2	3255-8	Washer-Lock	24 2 8

*Not Illustrated

PART NUMBER INDEX (Continued)

Part No.	Description	Pg. No.	Ref. No.	Qty.	Part No.	Description	Pg. No.	Ref. No.	Qty.
3255-9	Washer - E.T.L.W.	69	31	4	3290-93	Screw - Cap Hex. Hd.	10	39	4
3255-9	Washer - Lock E.T.L.W.	35	30	1	3290-271	Rivet - Pop	32	13	2
3256-1	Washer - Flat	2	44	10	3290-354	Plate - Nut	10	36	2
3256-1	Washer - Flat	3	29	2	3290-378	Tie - Cable	3	*	3
3256-1	Washer - Flat	10	13	5	3290-378	Tie - Cable	33	57	1
3256-1	Washer - Flat	69	7	2	3290-378	Tie - Cable	54	25	1
3256-2	Washer - Flat	6	11	8	3290-379	Tie - Cable	61	14	3
3256-3	Washer - Flat	1	24	4	3290-379	Tie - Cable	64	45	1
3256-3	Washer - Flat	10	34	4	3290-409	Rivet - Pop	69	12	4
3256-5	Washer - Flat	8	4	1	3290-461	Washer - Belleville	5	21	1
3256-6	Washer - Flat	62	57	6	3290-488	Boot - Lift Control	11	40	1
3256-6	Washer - Flat	63	33	4	3290-489	Knob - Lift Control	10	3	1
3256-13	Washer - Flat	33	55	7	3296-2	Nut - Lock	10	18	5
3256-22	Washer - Flat	3	11	4	3296-9	Nut - Hex.	29	24	2
3256-22	Washer - Flat	5	6	2	3296-20	Nut - Lock	3	16	4
3256-22	Washer - Flat	21	4	2	3296-23	Nut - Lock	22	19	2
3256-22	Washer - Flat	32	15	4	3296-23	Nut - Lock	54	7	4
3256-22	Washer - Flat	61	34	2	3296-29	Nut - Lock	5	23	8
3256-22	Washer - Flat	68	11	12	3296-29	Nut - Lock	6	39	9
3256-23	Washer - Flat	1	16	6	3296-29	Nut - Lock	29	9	3
3256-23	Washer - Flat	3	15	6	3296-29	Nut - Lock	32	27	10
3256-23	Washer - Flat	32	4	12	3296-29	Nut - Lock	34	17	5
3256-23	Washer - Flat	35	38	5	3296-29	Nut - Lock	35	21	9
3256-23	Washer - Flat	51	27	2	3296-29	Nut - Lock	51	26	4
3256-23	Washer - Flat	61	25	3	3296-29	Nut - Lock	59	6	7
3256-23	Washer - Flat	63	8	10	3296-29	Nut - Lock	62	45	3
3256-23	Washer - Flat	73	6	2	3296-29	Nut - Lock	63	7	6
3256-23	Washer - Flat	74	*11	10	3296-29	Nut - Lock	73	7	2
3256-23	Washer - Lock E.T.L.W.	3	31	1	3296-29	Nut - Lock	74	*10	10
3256-24	Washer	8	5	1	3296-39	Nut - Lock	5	38	1
3256-24	Washer - Flat	5	4	1	3296-39	Nut - Lock	6	28	3
3256-24	Washer - Flat	6	16	3	3296-39	Nut - Lock	22	30	2
3256-24	Washer - Flat	14	41	2	3296-39	Nut - Lock	35	29	5
3256-24	Washer - Flat	35	37	4	3296-39	Nut - Lock	54	8	2
3256-24	Washer - Flat	51	21	1	3296-39	Nut - Lock	54	45	2
3256-24	Washer - Flat	54	2	2	3296-39	Nut - Lock	60	3	1
3256-24	Washer - Flat	61	24	3	3296-39	Nut - Lock	62	52	2
3256-24	Washer - Flat	63	34	4	3296-39	Nut - Lock	63	35	4
3256-24	Washer - Flat	68	4	4	3296-39	Nut - Lock	68	18	2
3256-24	Washer - Flat	75	3	4	3296-39	Nut - Lock	71	9	8
3256-25	Washer - Flat	22	38	4	3296-39	Nut - Lock L.H.	69	20	2
3256-26	Washer - Flat	3	22	1	3296-42	Nut - Lock	1	9	10
3256-26	Washer - Flat	29	2	1	3296-42	Nut - Lock	3	30	2
3256-26	Washer - Flat	68	6	9	3296-42	Nut - Lock	10	22	7
3256-26	Washer - Flat	8	24	2	3296-42	Nut - Lock	13	15	2
3256-46	Washer - Flat	8	20	1	3296-42	Nut - Lock	18	17	4
3256-49	Washer - Flat	69	10	4	3296-42	Nut - Lock	19	10	4
3256-49	Washer - Flat	72	16	10	3296-42	Nut - Lock	21	3	2
3256-69	Washer - Thrust	5	31	3	3296-42	Nut - Lock	32	11	7
3256-71	Washer - Flat	72	8	2	3296-42	Nut - Lock	35	47	1
3256-77	Washer - Flat	10	6	2	3296-42	Nut - Lock	51	10	3
3258-19	Screw - Machine	52	6	2	3296-42	Nut - Lock	61	37	2
3258-166	Screw - Phillip Hd.	2	45	3	3296-42	Nut - Lock	69	13	2
3258-166	Screw - Phillip Hd.	3	28	2	3296-44	Nut - Lock	61	23	4
3258-166	Screw - Phillip Hd.	10	12	5	3296-44	Nut - Lock	8	22	1
3269-3	Rivet - Pop	75	6	4	3296-48	Nut - Lock	22	39	4
3269-15	Rivet - Pop	10	28	2	3296-51	Nut - Lock	61	19	6
3269-15	Rivet - Pop	33	49	8	3296-54	Nut - Lock	6	4	4
3269-28	Rivet - Pop	72	14	10	3296-59	Nut - Lock	5	22	1
3269-29	Rivet - Pop	32	29	7	3296-59	Nut - Lock	6	36	2
3272-2	Pin - Cotter	5	5	2	3296-60	Nut - Reel	69	17	1
3272-4	Pin - Cotter	1	20	2	32104-76	Screw - Thread Forming	62	48	2
3272-5	Pin - Cotter	3	17	3	32105-1	Screw - Cap Hex. Hd.	11	43	1
3272-10	Pin - Cotter	3	21	1	32105-8	Screw - Cap Hex. Hd.	32	43	2
3272-10	Pin - Cotter	5	40	4	32105-13	Screw - Cap Hex. Hd.	10	17	4
3272-10	Pin - Cotter	29	1	1	32105-21	Screw	29	4	2
3272-10	Pin - Cotter	61	17	3	32107-11	Nut - Square	52	5	2
3272-10	Pin - Cotter	63	3	2	32111-7	Nut - Acorn	68	17	6
3272-11	Pin - Cotter	6	17	2	32120-74	Ring - Retaining	28	53	1
3272-11	Pin - Cotter	54	10	1	32120-93	Ring - Retaining	61	29	6
3272-17	Pin - Cotter	57	31	2	32120-93	Ring - Retaining	63	20	4
3273-26	Screw - Hex. Socket Hd.	11	45	2	32121-2	Pin - Roll	35	2	2
3274-34	Screw - Socket Flat Hd.	59	30	1	32121-6	Pin - Roll	5	9	1
3274-64	Screw - Cap Hex. Hd.	59	17	6	32121-11	Pin - Roll	72	5	1

*Not Illustrated

PART NUMBER INDEX (Continued)

Part No.	Description	Pg. No.	Ref. No.	Qty.	Part No.	Description	Pg. No.	Ref. No.	Qty.
32121-16	Pin - Roll	5	32	1	340-132	Fitting - Hydraulic 90°	63	19	4
32121-34	Pin - Roll	59	18	1	340-137	Fitting - Hydraulic 45°	13	27	1
32121-38	Pin - Roll	6	19	1	340-139	Fitting - Hydraulic 90°	13	35	1
32121-45	Pin - Roll	5	10	2	340-139	Fitting - Hydraulic 90°	15	23	1
32121-50	Pin - Roll	5	41	1	340-143	Fitting - Hydraulic 90°	15	32	1
32121-122	Pin - Roll	62	55	3	340-143	Fitting - Hydraulic 90°	19	8	1
32121-122	Pin - Roll	63	32	2	340-151	Fitting - Hydraulic Tee	18	14	1
32122-22	Screw - Phillip Hd.	78	2	1	353-512	Fitting - Hydraulic Plug	19	5	2
32122-24	Screw - Round Hd.	21	10	5	353-550	Fitting - Plug	14	44	1
32128-19	Nut - Flange Lock	76	2	2	353-599	Pin-Dowel	70	3	2
32128-25	Nut - Lock	51	29	3	353-682	Fitting - Hydraulic Straight	13	20	1
32128-26	Nut-Flange	8	21	4	353-781	Fitting-Elbow	53	1	2
32128-36	Nut - Flange Lock R.H.	69	*	2	353-886	Ring - Retaining	31	8	2
32136-13	Nut - Slotted	54	16	2	353-922	Seal - Ring	31	6	6
32144-4	Screw - Self Tapping	54	19	1	353-989	Plug	17	34	1
32144-10	Screw - Hex. Washer Hd.	13	33	2	353-990	Plug	17	11	10
32144-14	Screw - Self Tapping	62	66	3	353-991	Plug	17	13	8
32144-18	Screw - Cap Hex. Hd.	11	46	2	354-5	Coupling	31	14	2
32144-21	Screw	3	6	1	354-13	Pin- Dowel	31	13	2
32144-22	Screw - Cap Hex. Hd.	29	13	4	354-14	Pin - Dowel	31	21	2
32144-39	Screw - Cap Hex. Hd.	11	41	2	354-15	Seal - Oil	31	22	1
32144-73	Screw - Self Tapping	69	3	5	354-16	Washer	31	4	4
32149-1	Nut - Lock	35	45	1	354-20	Fitting - Fuel Tee	21	17	1
32149-7	Nut - Lock	32	26	2	354-21	Fitting - Fuel Straight	21	18	1
32151-36	Ring - Retaining	62	42	6	354-22	Fitting - Fuel Straight	21	14	2
32151-36	Ring - Retaining	63	15	4	354-35	Gasket	31	29	1
32151-41	Ring-Retaining	70	13	1	354-36	Cap - Adjuster Valve	31	30	1
32151-48	Ring - Retaining	61	20	3	354-37	Adjuster - Valve	31	28	1
32151-48	Ring - Retaining	63	5	2	354-38	Ball - Valve	31	26	1
32151-61	Ring - Retaining	63	12	4	354-39	Spring - Compression	31	27	1
32151-62	Ring - Retaining	22	33	1	354-44	Body Assy.	70	10	1
32151-87	Ring - Retaining	59	21	1	354-45	Idler Gear Assembly	70	6	1
32151-94	Ring - Retaining	62	50	1	354-46	Ring-Seal	70	8	1
32152-10	Nut	65	2	1	354-47	Cover Assy.	70	4	1
32152-10	Nut	66	2	1	354-48	Plate Assembly-Load	70	9	1
32152-10	Nut	67	2	1	354-49	Drive Shaft Assembly	70	7	1
3333-975	Tie - Cable	33	58	1	354-50	Screw-Hex Socket Hd.	70	1	4
340-2	Fitting - Hydraulic Straight	15	5	1	354-51	Washer	70	2	4
340-3	Fitting - Hydraulic Straight	22	14	1	354-52	Shaft - Drive	31	24	1
340-3	Fitting - Hydraulic Straight	30	16	1	354-53	Pump Body Assembly	31	23	1
340-4	Fitting - Hydraulic Straight	15	10	2	354-54	Plate - Gear	31	1	2
340-4	Fitting - Hydraulic Straight	30	10	2	354-55	Plate Assembly	31	25	1
340-8	Fitting - Hydraulic Straight	13	11	1	354-56	Pin - Dowel	31	2	2
340-8	Fitting - Hydraulic Straight	14	40	1	354-57	Gear - Drive	31	20	1
340-13	Fitting - Hydraulic Straight	15	19	2	354-58	Plate Assembly	31	15	1
340-13	Fitting - Hydraulic Straight	19	16	2	354-59	Shaft - Drive	31	11	1
340-18	Fitting - Hydraulic 90°	22	13	1	354-60	Plate - Gear	31	7	1
340-18	Fitting - Hydraulic 90°	20	7	10	354-61	Key - Woodruff	31	10	1
340-21	Fitting - Hydraulic Tee	20	13	1	354-62	Gear	31	9	1
340-77	Fitting - Hydraulic 90°	13	22	1	354-63	Cover Assembly	31	5	1
340-77	Fitting - Hydraulic 90°	15	2	2	354-64	Screw - Cap Hex. Hd.	31	3	4
340-77	Fitting - Hydraulic 90°	18	19	1	354-65	Idler Shaft Assembly	31	12	1
340-82	Fitting - Hydraulic 90°	18	15	1	354-66	Shaft - Idler	31	19	2
340-92	Fitting - Hydraulic Straight	15	17	2	354-67	Seal - Pre-Load Hi Pressure	31	17	4
340-92	Fitting - Hydraulic Straight	15	34	1	354-68	Plate - Load	31	18	4
340-92	Fitting - Hydraulic Straight	18	10	3	354-69	Seal - Load Hi Pressure	31	16	4
340-92	Fitting - Hydraulic Straight	19	3	4	354-70	Plug	17	10	1
340-103	Fitting - Hydraulic 45°	20	3	5	354-72	Fitting - Hydraulic 45°	22	36	1
340-103	Fitting - Hydraulic 45°	62	64	1	354-73	Fitting - Hydraulic Straight	13	24	2
340-108	Fitting - Hydraulic 90°	33	48	2	354-74	Fitting - Hydraulic Plug	13	16	1
340-132	Fitting - Hydraulic 90°	15	8	1	354-75	Fitting - Hydraulic 90°	22	34	1
340-132	Fitting - Hydraulic 90°	18	4	3	354-77	Fitting - Hydraulic Test Port	22	17	1
340-132	Fitting - Hydraulic 90°	19	11	1	354-77	Fitting - Test Port	15	11	2
340-132	Fitting - Hydraulic 90°	54	21	2	354-79	Cap - Test Port	15	12	2
340-132	Fitting - Hydraulic 90°	61	4	5	354-79	Cap - Test Port	22	18	1
					355-12	Plug - Hydraulic	18	9	1

*Not Illustrated

TABLE OF CONTENTS

Description	Page	Description	Page
Frame & Body Assembly	1-2	Fuel Injection Pump Assembly	46-47
Steering Tower Assembly	3	Governor Assembly	48
Steering Valve Assembly No. 75-0600	4	Starter Assembly	49
Traction & Brake Pedals Assembly	5	Alternator Assembly	50
Seat & Throttle Assembly	6-7	Engine Components Assembly	51
Seat Suspension Assembly	8	Air Cleaner Assembly	52
Electrical Schematic	9	Fuel Filter Assembly	53
Control Console Assembly	10-11	Rear Axle Installation Assembly	54
Hydraulic Schematic	12	Rear Axle Assembly No. 68-6821	55-57
Hydraulic Reservoir Assembly	13-14	Hydraulic Cylinder No. 83-5030	58
Hydraulic Control Manifold Assembly	15-16	Drive Shaft Assembly	59
Control Manifold Assembly	17	Cutting Unit Stop Assembly	60
Front Hydraulic Manifolds	18	Front Lift Arms Assembly	61-62
Rear Hydraulic Manifolds	19	Rear Lift Arms Assembly	63-64
Cutting Unit Hydraulic Components	20	Hydraulic Cylinder Assembly No. 75-0780	65
Fuel Tank Assembly	21	Hydraulic Cylinder Assembly No. 83-7480	66
Front Axle & Transmission Assembly	22-23	Hydraulic Cylinder Assembly No. 83-7490	67
Front Axle Assembly No. 75-0711	24-25	R.O.P.S. Assembly	68
Brake Assembly	26	Cutting Unit Reel Assembly	69
Transmission Assembly No. 75-0011	27-28	Reel Motor Assembly No. 75-1400	70
Traction Control Assembly	29	Cutting Unit Rollers Assembly	71
Gear Pump Installation Assembly	30	Grass Basket Assembly	72
Hydraulic Pump Assembly No. 75-0800	31	Front Scraper Kit No. 83-5400 (Optional)	73
Radiator Assembly	32-33	High Height-Of-Cut Kit No. 83-5300 (Optional)	74
Muffler & Pump Drive Assembly	34	Roller Scraper Kit Model No. 03512 (Optional)	75
Engine Installation Assembly	35-36	Armrest Kit Model No. 30707 (Optional)	76
Valves & Crankshaft Assembly	37-38	Rear Weight Kit No. 75-6690 (Optional)	77
Crankcase Assembly	39	Special Tools	78
Camshaft Assembly	40	International Decal Cross Reference	79-82
Cylinder Head Assembly	41-42	Part Number Index	83-94
Water Pump Assembly	43		
Fuel Supply & Engine Block Assembly	44-45		

PRODUCT CHANGES

In an effort to make improvements available to TORO owners as quickly as possible, minor changes are incorporated into Toro's products from time to time that do not become immediately shown in the Parts Catalog. If such a change has been made in your unit, which is not reflected in your manual, see your TORO Distributor or his Authorized TORO Service Dealer for information and part numbers.

IDENTIFICATION AND ORDERING

MODEL AND SERIAL NUMBERS

The Reelmaster® 223D has two identification numbers; a model number and a serial number. The two numbers are stamped on a decal which is located on the traction unit frame under the seat. In any correspondence concerning the Reelmaster 223D, supply model and serial numbers to assure that correct information and replacement parts are obtained.

To order replacement parts from an Authorized TORO Service Dealer, supply the following information:

1. Model and serial number of the Reelmaster 223D.
2. Part number, description, and the quantity of part(s) desired.

NOTE: Do not order by reference number if a parts catalog is being used; use the PART NUMBER.

COUNTRIES OTHER THAN THE UNITED STATES OR CANADA

Customers who have purchased TORO products exported from the United States or Canada should contact their Toro

Distributor (Dealer) to obtain guarantee policies for your country, province or state.

