



55cm Recycler[®] Lawn Mower

Model No. 20656 - 270000001 and up.

Parts Catalog

Ordering Replacement Parts

To order replacement parts, please supply the part number, the quantity, and the description of each part desired.

Understanding Reference Numbers

Each identified part in an illustration has a reference number. The reference number for a part also appears in the parts list, along with other information about the part.

This catalog uses two special reference number formats, one to indicate parts in a service assembly and another to indicate the quantity of a given part in an illustration.

Service Assembly Reference Numbers

Parts in service assemblies have reference numbers in the form a:b. The a represents the reference number of the entire service assembly and the b represents a sequential number unique to each part within the service assembly.

For example, a wheel assembly might be identified by reference number 6, the tire by 6:1, the valve by 6:2, and the wheel by 6:3. When you order the assembly identified by reference number 6, you receive all parts identified by reference numbers 6:1, 6:2, and 6:3. However, you may also order any part individually. Reference numbers of this type appear in illustrations and in part lists.

Reference Numbers Indicating Quantity

In an illustration, if a reference number indicates more than one part, the reference number has the form nX y. The n represents the quantity of the part, the X is the multiplication symbol, and the y represents the reference number.

For example, in an illustration, the reference number 2X 37 means that two of the parts identified by reference number 37 are indicated.

Contents

Description	Page	Description	Page
Deck, Side Chute and Rear Door Assembly	3	Air Cleaner Assembly Briggs and Stratton 122K05-0171-E1	15
Front Axle Assembly	4	Governor Assembly Briggs and Stratton 122K05-0171-E1	16
Rear Axle and Transmission Assembly	5	Muffler and Fuel Tank Assembly Briggs and Stratton 122K05-0171-E1	17
Transmission Assembly No. 106-3956	6	Blower Housing Assembly Briggs and Stratton 122K05-0171-E1	18
Engine and Blade Assembly	7	Starter Assembly Briggs and Stratton 122K05- 0171-E1	19
Handle Assembly	8	Starter Assembly Briggs and Stratton 122K05- 0171-E1	20
Electric Start Assembly	9	Gasket Assembly Briggs and Stratton 122K05- 0171-E1	21
Rear Bag Assembly	10	Carburetor Overhaul Kit Assembly Briggs and Stratton 122K05-0171-E1	22
Cylinder Assembly Briggs and Stratton 122K05-0171-E1	11	Carburetor Overhaul Kit Assembly	23
Crankshaft Assembly Briggs and Stratton 122K05-0171-E1	12	Attachments and Accessories List	23
Crankcase Assembly Briggs and Stratton 122K05-0171-E1	13		
Carburetor Assembly Briggs and Stratton 122K05-0171-E1	14		

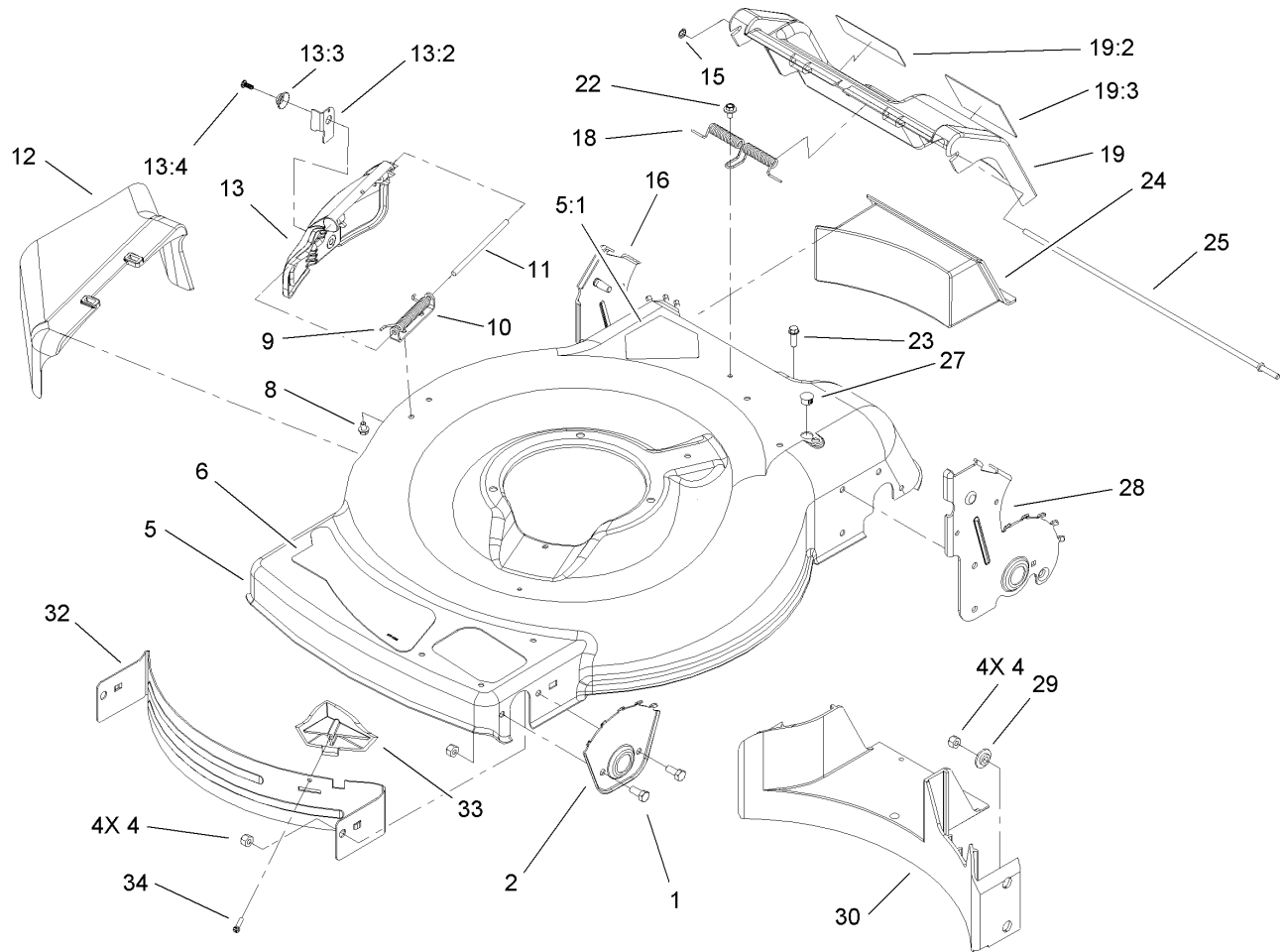
Part Description Abbreviations

Part descriptions in this catalog may include the following abbreviations.

AR. as required	HYD. hydraulic
ASM. assembly	LH. left hand
BBC. blade brake clutch	NI. nylon insert
CARR. carriage	NPTF. national pipe thread fine
DEG. degrees	PFH. phillips flat head
EXT. external	PPH. phillips pan head
FH. flat head	PPHTF. phillips pan head thread forming
GA. gauge	PRH. phillips round head
HD. heavy-duty	PTH. phillips truss head
HF. hex flange	PTO. power-take-off
HH. hex head	RH. right hand
HHF. hex head flange	ROPS. roll-over protection system
HHFTF. hex head flange thread forming	SFH. slotted fillister head
HJ. hex jam	SHH. slotted hex head
HLH. hex lag head	SHWH. slotted hex washer head
HOC. height-of-cut	SPH. slotted pan head
HSBH. hex socket button head	SQH. square head
HSFH. hex socket flat head	SRH. slotted round head
HSH. hex socket head	STD. standard
HWH. hex washer head	TAP. self tapping
HWHTF. hex washer head thread forming	TTH. torx truss head

Footnotes

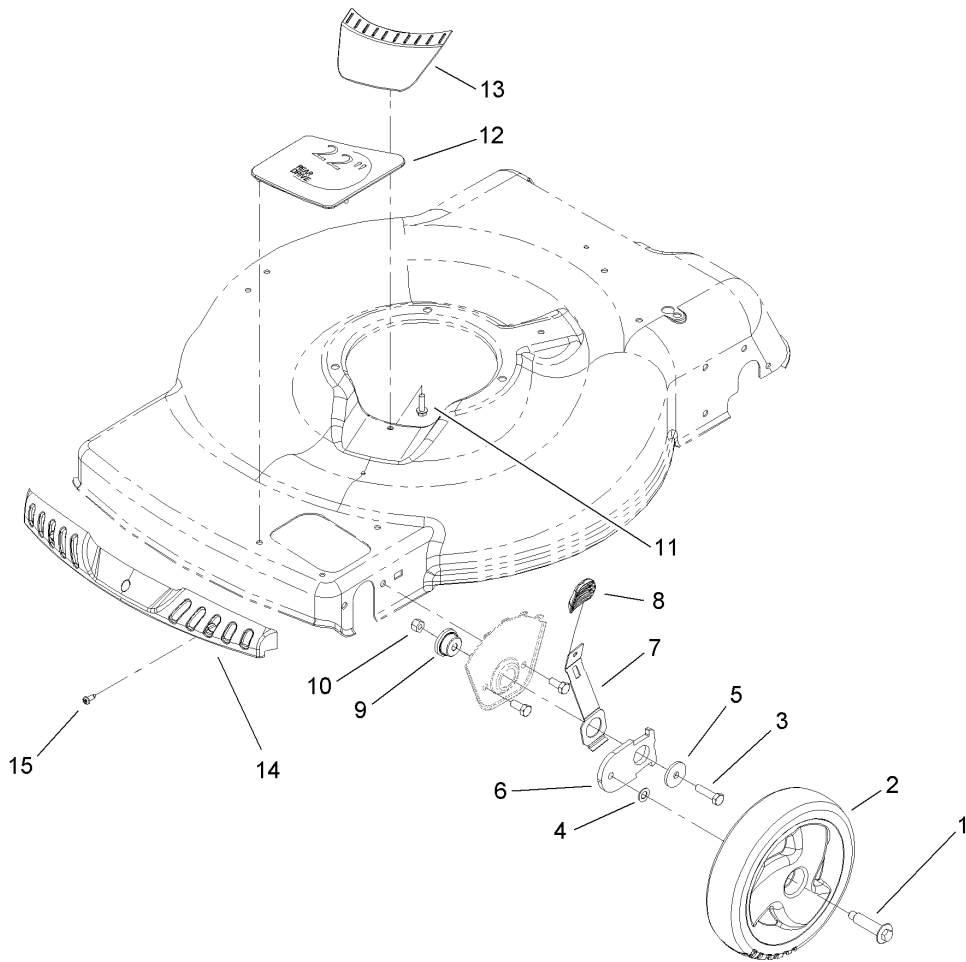
- | | |
|---|---|
| ❶ Not illustrated | ❷ Not serviced separately |
| ❸ Included in Engine Gasket Set-Ref. 358. | ❹ Included in Carburetor Overhaul Kit-Ref. 121. |
| ❺ Included in Carburetor Gasket Set-Ref. 977. | ❻ Obtain from your local Briggs & Stratton dealer |



Deck, Side Chute and Rear Door Assembly

Ref	Part No.	Qty.	Description
1	322-3	4	Screw-HH
2	105-1808-03	2	Plate-HOC, Front
4	3296-29	8	Nut-Lock, NI
5	104-7916	1	Housing
5:1	112-8760	1	Decal-Danger, Ce
6	105-1297	1	Decal-Deck
8	99-8445	2	Screw-HWH
9	99-5293	1	Spring-Torsion
10	112-6416	1	Bracket-Cover
11	99-5291	1	Rod-Cover
12	105-3028	1	Chute-Discharge, Side
13	106-8376	1	Discharge Door ASM
13:2	107-0795	1	Latch-Door
13:3	107-7456	1	Cap-Door
13:4	107-7461	1	Screw-Plastite
15	32112-6	1	Nut-Push
16	112-6441	1	RH 8 Inch HOC Plate ASM
18	105-3032	1	Spring-Door, Rear
19	105-1324	1	Rear Door ASM
19:2	112-8759	1	Decal-Warning
19:3	104-7908	1	Decal-Warning
22	46-6810	1	Screw And Washer ASM
23	46-8091	2	Screw-HWH
24	105-1842	1	Plug-Discharge, Rear

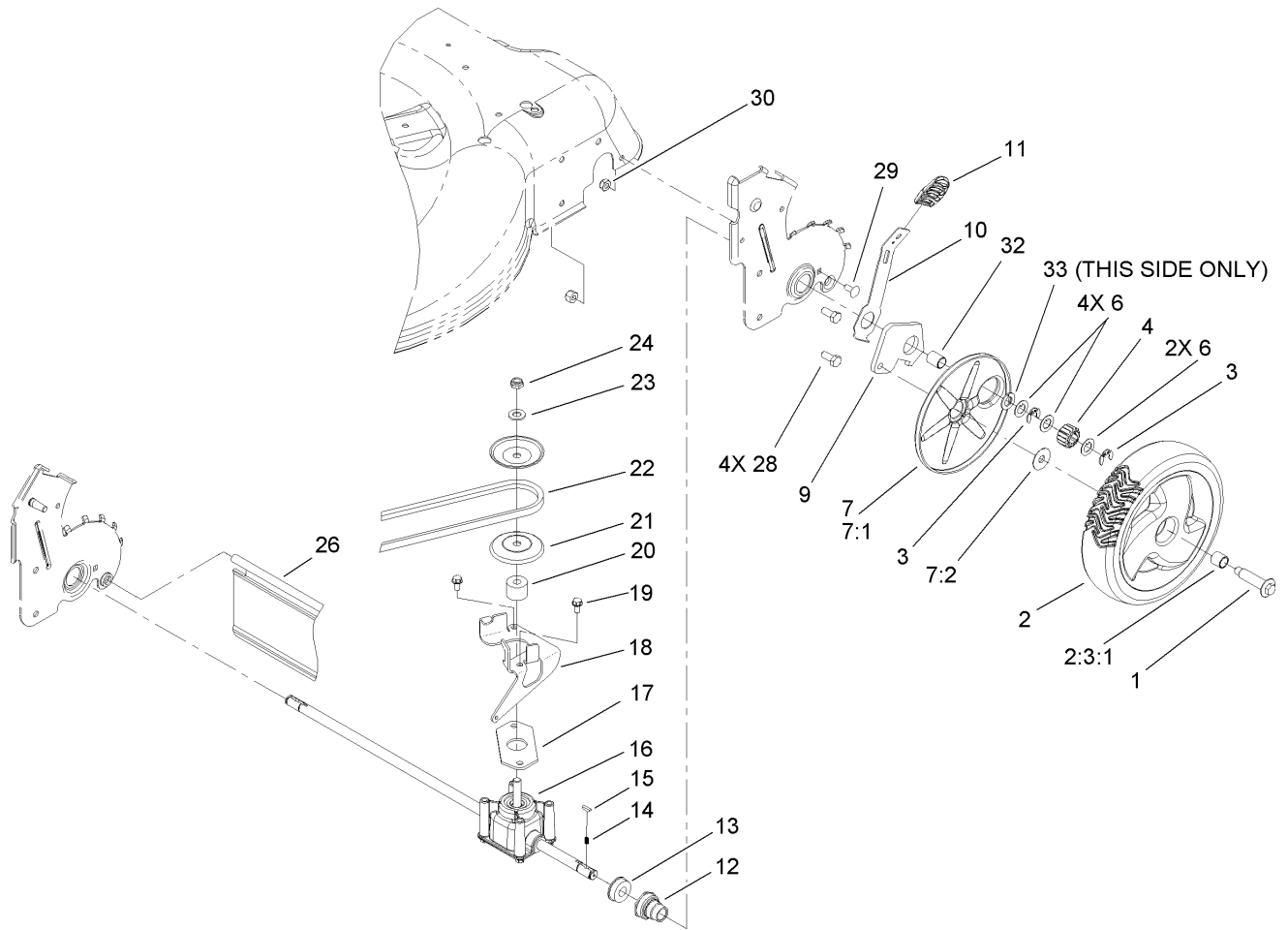
Ref	Part No.	Qty.	Description
25	105-1827	1	Rod-Pivot, Rear Door
27	104-9369	1	Plug-Dome
28	112-6443	1	LH 8 Inch HOC Plate ASM
29	105-3006	4	Washer-Stepped
30	105-1834	1	Baffle-Rear
32	107-0793-03	1	Baffle-Front
33	107-0752	1	Kicker-Front
34	32144-111	1	Screw-PPH



Front Axle Assembly

Ref	Part No.	Qty.	Description
1	614650	2	Bolt-Shoulder
2	105-1814	2	Wheel ASM
3	322-6	2	Screw-HH
4	110-7466	2	Washer-Bolt, Wheel
5	105-3048	2	Washer-Flat
6	105-1807	2	Arm-Pivot, Front
7	105-1809	2	Arm-Spring
8	105-3042	2	Knob-Lever, HOC
9	105-1818	2	Bushing-Mount, HOC
10	3296-29	2	Nut-Lock, NI
11	46-8091	1	Screw-HWH
12	104-9398	1	Cover-Cutout
13	105-3005	1	Cover-Belt Opening
14	104-9359	1	Bumper-Mower
15	105-6849	3	Screw-Thread Forming

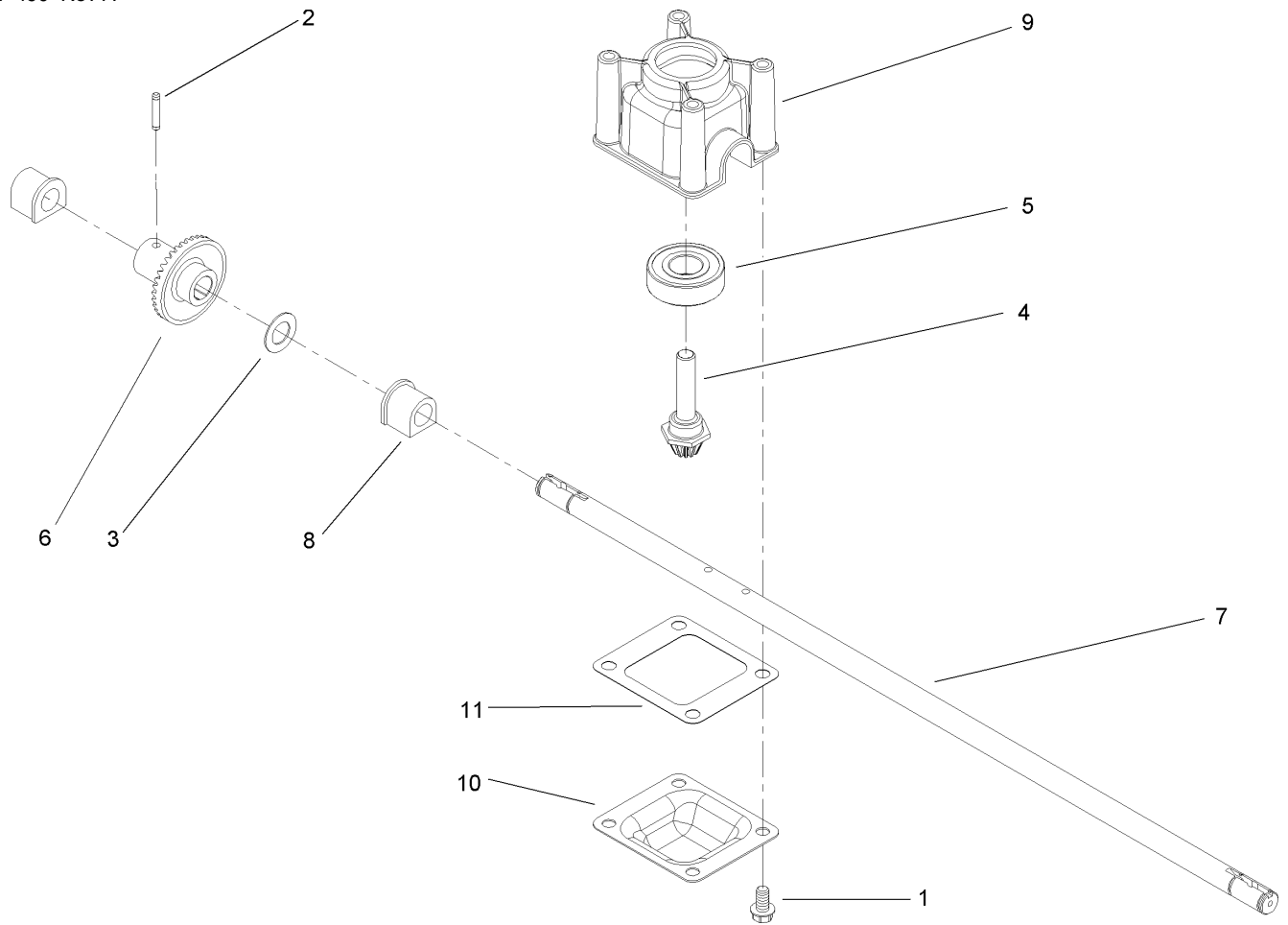
--	--	--	--



Rear Axle and Transmission Assembly

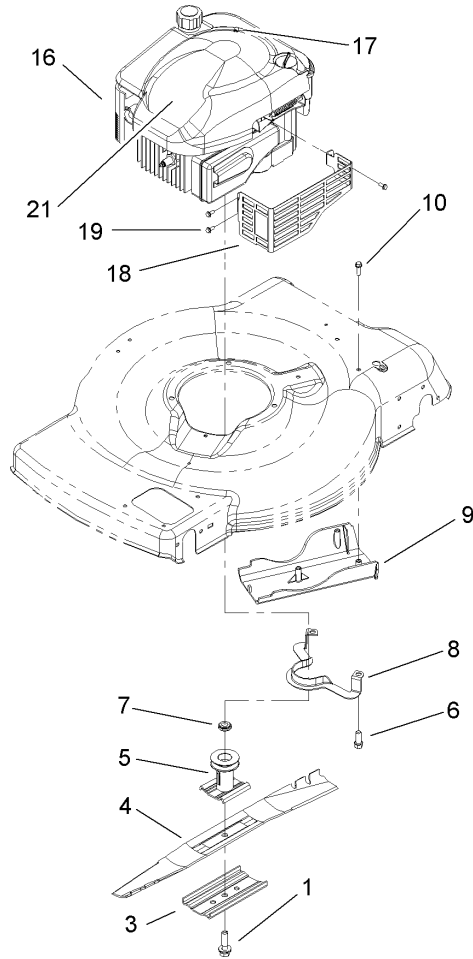
Ref	Part No.	Qty.	Description
1	614650	2	Bolt-Shoulder
2	105-3036	2	Wheel Gear ASM
1 2:3		1	Wheel ASM
2:3:1	27-6250	2	Bushing
3	65-2720	4	Ring-Clip, Locking
4	105-3040	2	Gear-Pinion, 15T
6	105-6840	6	Washer-Thrust
7	110-1792	2	Wheel Cover ASM
7:1		1	Cover-Wheel
7:2	614426	1	Washer-Stepped
9	108-9781	2	Arm-Pivot, Rear
10	108-9780	2	Arm-Spring
11	105-3042	2	Knob-Lever, HOC
12	108-9779	2	Retainer-Bushing, HOC
13	104-8699	2	Bearing-Ball
14	39-9650	2	Spring-Compression
15	612066	2	Key
16	106-3956	1	Transmission ASM
17	108-9756	1	Gasket-Gearbox
18	106-6809-03	1	Bracket-Pivot
19	32144-4	2	Screw-HWH
20	92-5791	1	Spacer
21	100-1176	2	Pulley-Half
22	91-2258	1	V-Belt

Ref	Part No.	Qty.	Description
23	3256-24	1	Washer-Flat
24	3296-5	1	Nut-Lock
26	114-1585	1	Shield-Trailing
28	322-4	4	Screw-HH
29	3229-11	2	Screw-CARR
30	3296-16	2	Nut-Lock, NI
32	108-9782	2	Bushing-Sleeve
33	110-7191	1	Washer-Thrust



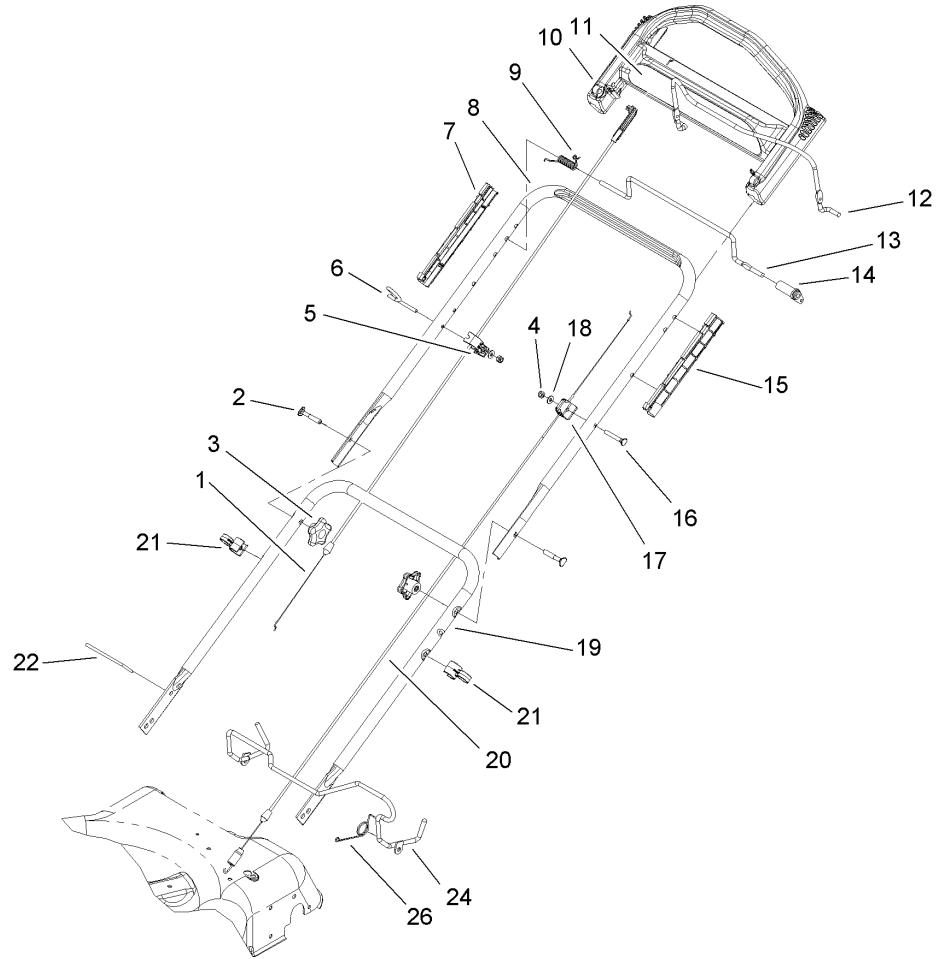
Transmission Assembly No. 106-3956

Ref	Part No.	Qty.	Description
1	32144-4	4	Screw-HWH
2	105-6817	1	Pin-Groove
3	36-4780	1	Washer-Plain
4	92-5790	1	Pinion
5	100-1048	1	Bearing-Ball
6	104-8671	1	Gear-Bevel, 37T
7	106-3957	1	Shaft-Output
8	104-8673	2	Bushing-Shaft, Output
9	104-8674	1	Gearcase-Upper
10	104-8675-03	1	Cover-Gearcase
11	105-6839	1	Gasket-Gearcase



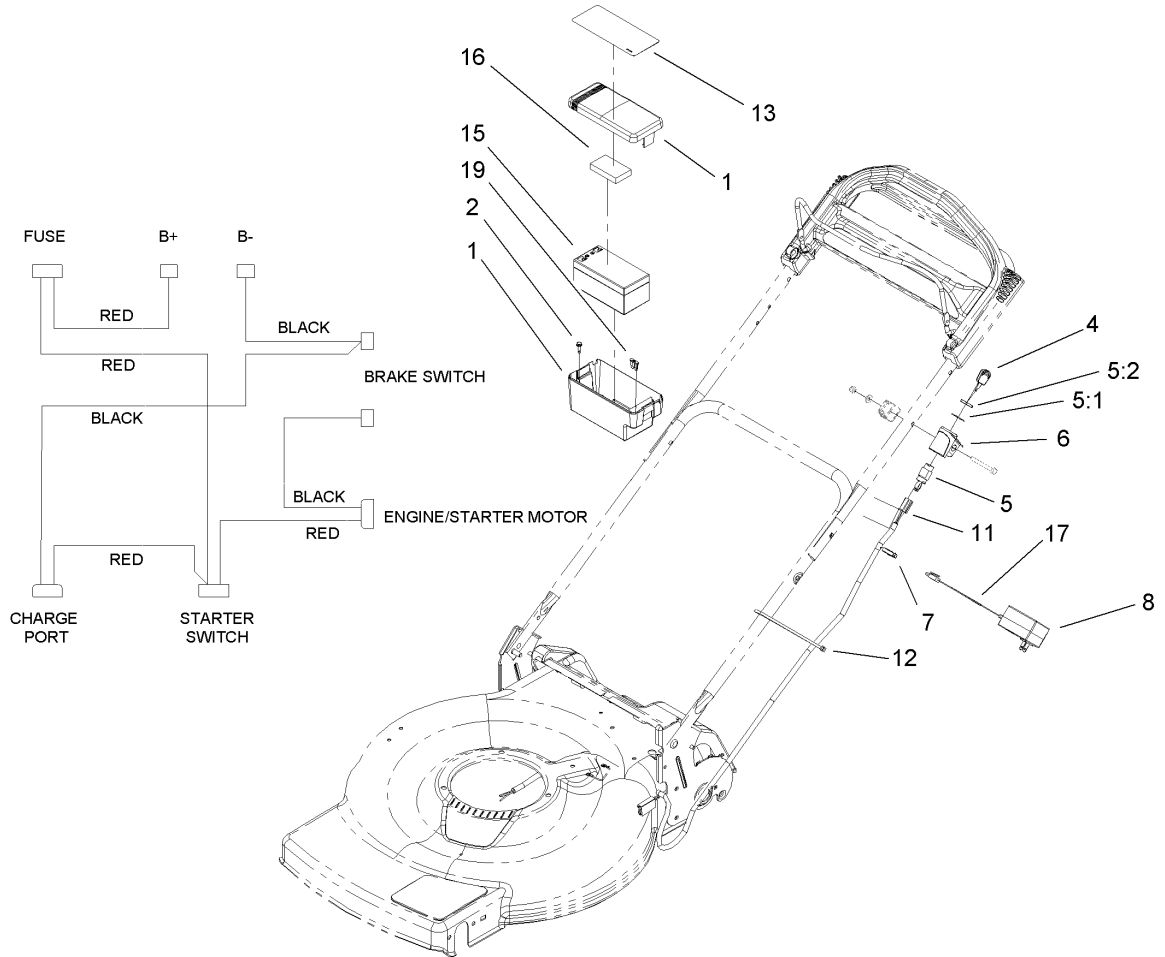
Engine and Blade Assembly

Ref	Part No.	Qty.	Description
1	105-8579	1	Bolt-Blade
3	105-6848-03	1	Accelerator-Blade
4	108-9783-03	1	Blade
5	106-3987	1	Blade Driver ASM
6	95-1726	3	Screw-Taptite
7	106-3999	1	Spacer-Driver
8	105-3030-03	1	Guide-Belt
9	105-1835	1	Cover-Belt, Rear
10	46-8091	3	Screw-HWH
16		1	Engine-Briggs And Stratton, 122K05-0171-E1
17	2210-316	1	Stop-Rope
18	104-7577-03	1	Shield-Muffler
19	32144-1	3	Screw-Taptite
21	110-7485	1	Decal-Recoil



Handle Assembly

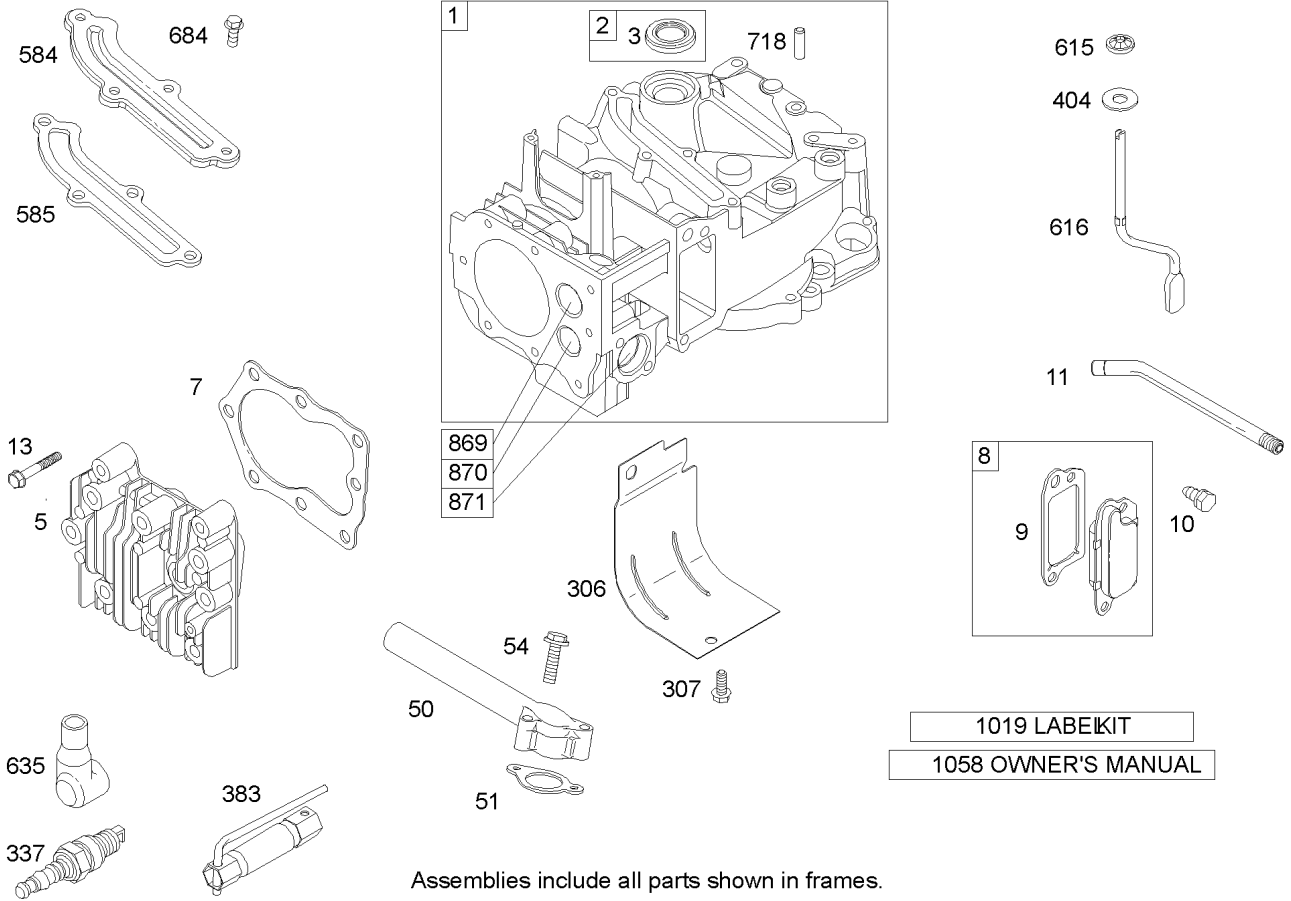
Ref	Part No.	Qty.	Description
1	104-8676	1	Cable-Brake
2	112-8876	2	Screw-Handle
3	108-8162	2	Knob-Locking
4	3296-73	2	Nut-Lock, NI
5	106-8331	1	Anchor-Cable
6	106-8330	1	Guide-Rope
7	105-6841	2	Guide-RH
8	104-8680-05	1	Handle-Upper
9	104-8690	1	Spring-Torsion
10	104-8678	1	Handle-Control
11	110-7056	1	Decal-Ads, Handle
12	104-8679-03	1	Bail-Brake
13	99-1588	1	Bar-Control, Traction
14	99-1589	1	Lever-Traction
15	105-6842	2	Guide-LH
16	321-50	1	Screw-HH
17	92-7729	1	Anchor-Cable, Upper
18	3256-1	2	Washer-Flat
19	112-6440-05	1	Handle-Lower
20	105-1844	1	Cable-Traction
21	106-6805	2	Guide-Cable
22	614249	1	Strap-Tie
24	107-0768	1	Release Lever ASM
26	107-7472	1	Spring-Torsion



Electric Start Assembly

Ref	Part No.	Qty.	Description
1	108-4844	1	Battery Box ASM
2	105-6849	2	Screw-Thread Forming
4	700918	1	Key
5	46-5780	1	Switch-Starter
5:1	3254-5	1	Washer-Tooth
5:2	218-461	1	Nut-HH
6	108-9760	1	Mount-Switch
7	106-8378	1	Harness-Wire
8	98-2391	1	Charger-European, 12V Dc
11	104-7953	1	Decal-Harness
12	614249	2	Strap-Tie
13	108-4791	1	Decal-Instructional
15	106-8397	1	Battery-12 Volt
16	107-3774	1	Foam-Battery, Top
17	107-3749	1	Adapter-Charger
19	99-6124	2	Fuse-40 Amp

--	--	--	--

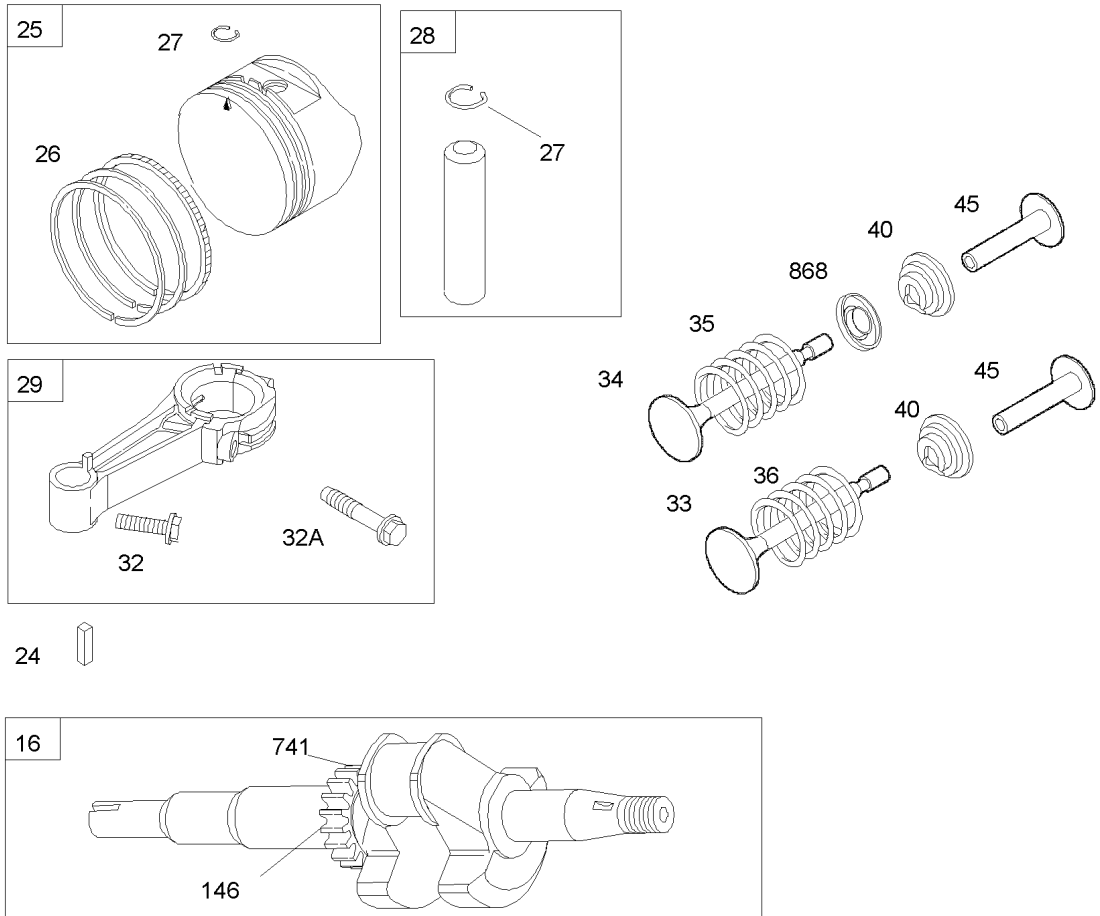


Assemblies include all parts shown in frames.

Cylinder Assembly Briggs and Stratton 122K05-0171-E1

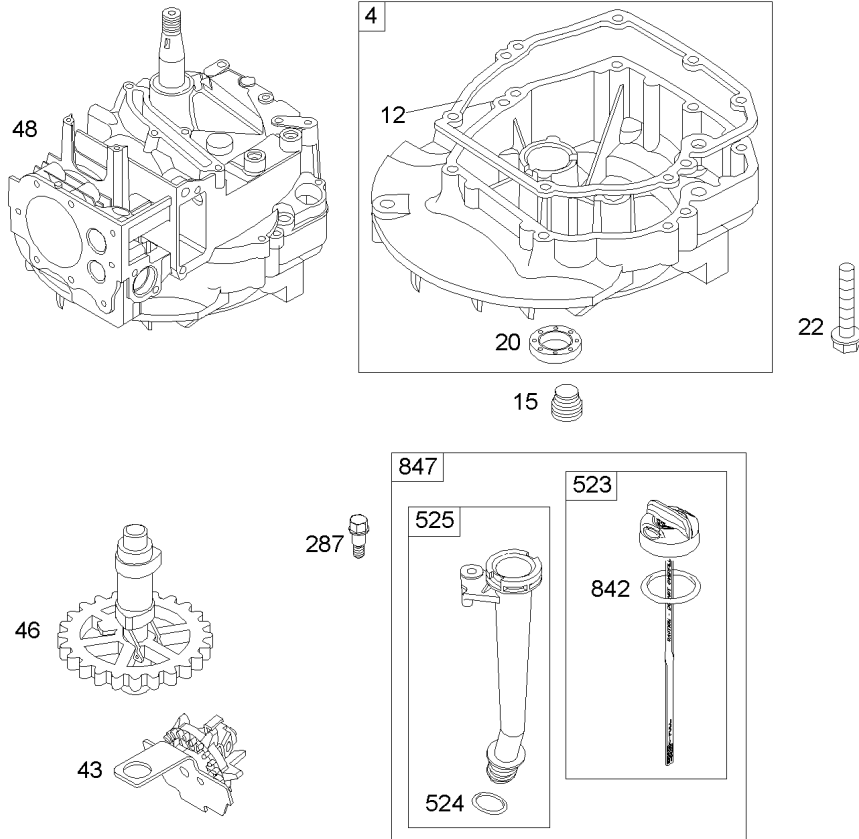
Ref	Part No.	Qty.	Description
1	697322	1	Cylinder ASM
2	399269	1	Bushing And Seal Kit
3	299819	1	Seal-Oil
5	691160	1	Head-Cylinder
7	692249	1	Gasket-Head, Cylinder
8	695250	1	Breather ASM
9	699472	1	Gasket-Breather
10	691125	1	Screw
11	691781	1	Tube-Breather
13	690912	1	Screw
50	497465	1	Manifold-Intake
51	272199	1	Gasket-Intake
54	691650	1	Screw
306	690450	1	Shield-Cylinder
307	690345	1	Screw
337	802592	1	Plug-Spark
383	89838	1	Wrench-Plug, Spark
404	690272	1	Washer
584	697734	1	Cover-Passage, Breather
585	691879	1	Gasket-Passage, Breather
615	690340	1	Retainer-Shaft, Governor
616	698801	1	Crank-Governor
635	66538	1	Boot-Plug, Spark
684	690345	1	Screw

Ref	Part No.	Qty.	Description
718	690959	1	Pin-Locating
869	691155	1	Seat-Valve
870	690380	1	Seat-Valve
871	262001	1	Bushing-Guide
871	63709	1	Bushing-Guide
1019	494256	1	Label Kit
1058	275177	1	Manual-Owner's



Crankshaft Assembly Briggs and Stratton 122K05-0171-E1

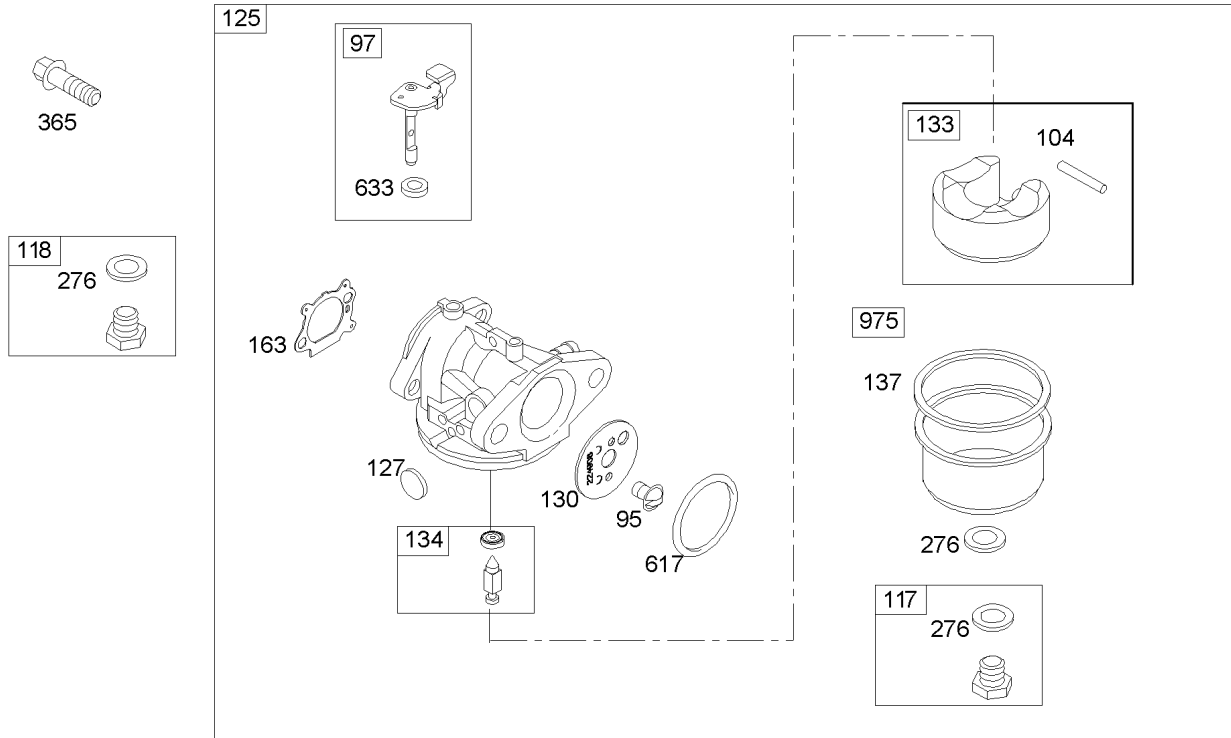
Ref	Part No.	Qty.	Description
16	696009	1	Crankshaft
24	222698	1	Key
25	697339	1	Piston ASM (Standard)
25	697341	1	Piston ASM (.020In Oversize)
26	499425	1	Ring Set (Standard)
26	499427	1	Ring Set (.020In Oversize)
27	691866	1	Lock-Pin, Piston
28	499423	1	Pin-Piston
28	298908	1	Pin-Piston (.005 Undersize)
29	499424	1	Rod-Connecting
32	691664	1	Screw
32A	695759	1	Screw
33	262651	1	Valve-Exhaust
34	262652	1	Valve-Intake
35	691270	1	Spring-Valve
36	691270	1	Spring-Valve
40	692194	1	Retainer-Valve
45	690548	1	Tappet-Valve
146	690979	1	Key-Timing
741	691830	1	Gear-Timing
868	697338	1	Seal-Valve



Assemblies include all parts shown in frames.

Crankcase Assembly Briggs and Stratton 122K05-0171-E1

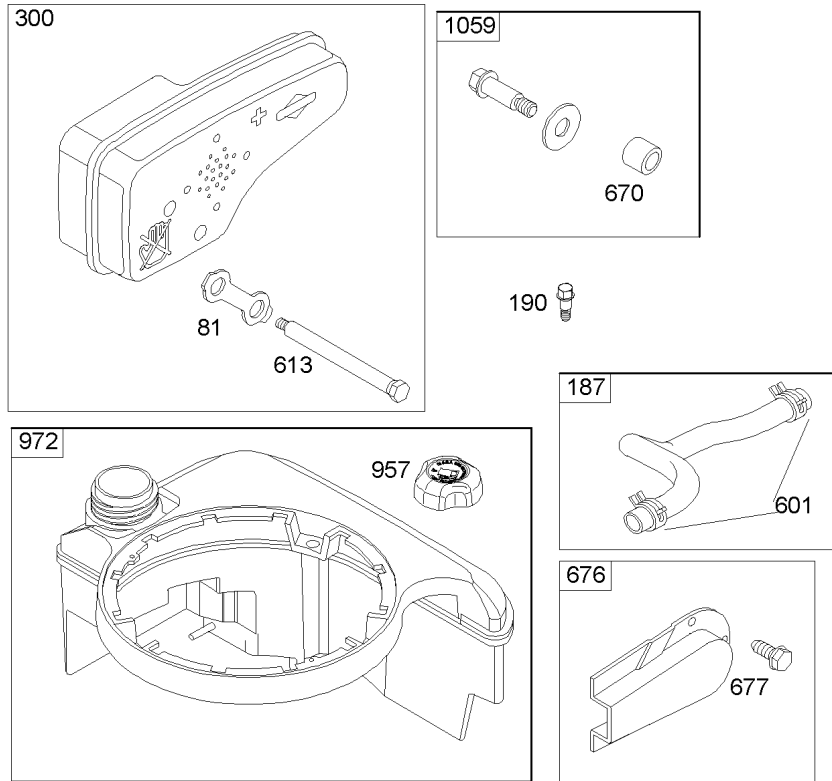
Ref	Part No.	Qty.	Description
4	493279	1	Sump-Engine
4 12	692232	1	Gasket-Crankcase
15	691680	1	Plug-Drain, Oil
4 20	399781	1	Seal-Oil
22	691092	1	Screw
43	691997	1	Slinger-Governor, Oil
46	691449	1	Camshaft
48	696276	1	Short Block
287	690940	1	Screw
523	499621	1	Dipstick
4 524	692296	1	Seal-O Ring
525	495265	1	Tube-Dipstick
4 842	691031	1	Seal-O Ring
847	692047	1	Dipstick Tube ASM



Assemblies include all parts shown in frames.

Carburetor Assembly Briggs and Stratton 122K05-0171-E1

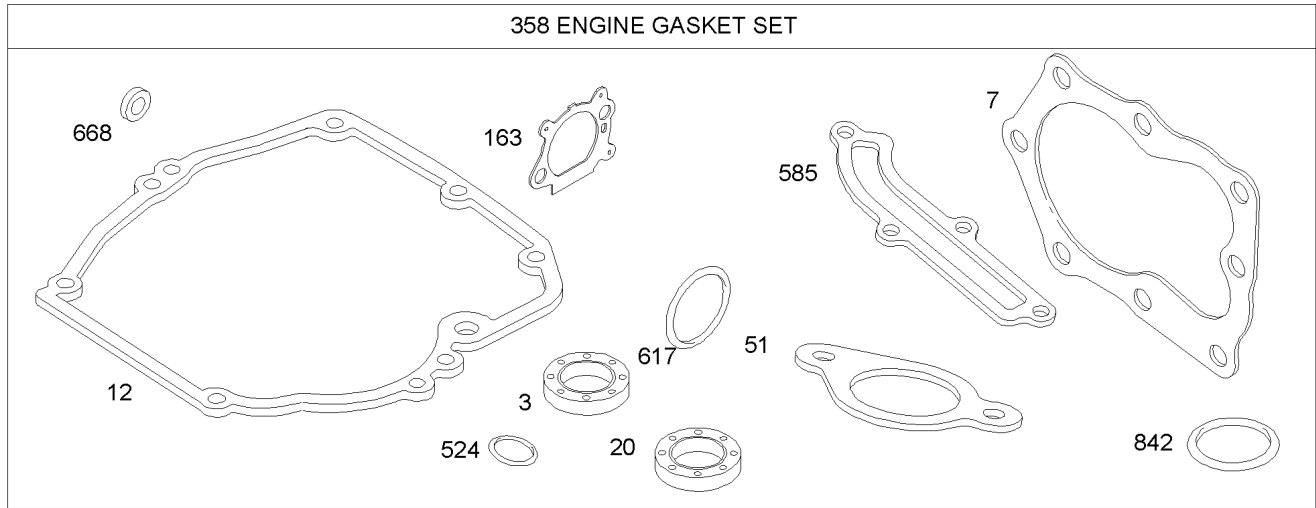
Ref	Part No.	Qty.	Description
⑥95	691636	1	Screw
⑥97	696565	1	Shaft-Throttle
④⑥104	691242	1	Pin-Hinge, Float
⑥117	498978	1	Jet-Main
⑥118	494870	1	Jet-Main
⑥125	498170	1	Carburetor
④⑥127	694468	1	Plug-Welch
⑥130	696564	1	Valve-Throttle
⑥133	398187	1	Float-Carburetor
④⑥134	398188	1	Needle And Seat Kit
④⑤137	693981	1	Gasket-Bowl, Float
⑥			
③④163	272653	1	Gasket-Cleaner, Air
⑤⑥			
④⑤276	271716	1	Washer-Sealing
⑥			
⑥365	692524	1	Screw
④⑤617	270344	1	Seal-O Ring
⑥			
④⑤633	691321	1	Seal-Shaft, Choke Throttle
⑥			
⑥975	493640	1	Bowl-Float



Assemblies include all parts shown in frames.

Muffler and Fuel Tank Assembly Briggs and Stratton 122K05-0171-E1

Ref	Part No.	Qty.	Description
ⓐ81	691740	1	Lock-Screw, Muffler
ⓐ187	691371	1	Line-Fuel (Cut To Required Length)
ⓐ190	690940	1	Screw
ⓐ300	692038	1	Muffler
ⓐ601	95162	1	Clamp-Hose
ⓐ613	691340	1	Screw
ⓐ670	692294	1	Spacer-Tank, Fuel
ⓐ676	493871	1	Deflector-Muffler
ⓐ677	690661	1	Screw
ⓐ957	692046	1	Cap-Tank, Fuel
ⓐ972	699374	1	Tank-Fuel
ⓐ1059	692311	1	Screw And Washer Kit



Assemblies include all parts shown in frames.

Gasket Assembly Briggs and Stratton 122K05-0171-E1

Ref	Part No.	Qty.	Description
3 63	299819	1	Seal-Oil
3 67	692249	1	Gasket-Head, Cylinder
3 612	692232	1	Gasket-Crankcase
4 620	399781	1	Seal-Oil
3 651	272199	1	Gasket-Intake
3 4 163	272653	1	Gasket-Cleaner, Air
3 6			
3 6358	497316	1	Engine Gasket Set
3 6524	692296	1	Seal-O Ring
3 6585	691879	1	Gasket-Passage, Breather
3 4 617	270344	1	Seal-O Ring
3 6			
3 6668	493823	1	Spacer
3 6842	691031	1	Seal-O Ring

Attachments and Accessories

For 20656 - 55cm Recycler Lawn Mower

Product Name	Model/Part
Traction Assist Handle Kit	108-8120
Replacement Bag	59288
Bagger Kit	59301
22 Inch Blade Kit	59534

