



42in Recycler[®] Kit

For TimeCutter[®] Z4000/5000 Series Riding Mowers

Model No. 79311

Installation Instructions

Installation

Loose Parts

Use the chart below to verify that all parts have been shipped.

Step	Description	Qty.	Use
1	No parts required	–	Prepare the mower.
2	Upper baffle Bolt (5/16 x 5/8 inch) Flange-head nut (5/16 inch) Bolt (1/4 x 5/8 inch) Locknut (1/4 inch)	1 3 3 4 4	Install the upper baffle.
3	Kicker plate Phillips head screw (#8 x 5/8 inch)	3 6	Install the kicker plates.
4	Discharge cover Bolt (1/4 x 2-1/2 inches) Cap nut (1/4 inch)	1 2 2	Install the discharge cover.
5	Recycling decal	1	Instal the decal.
6	Recycling mower blade	2	Install the blades and mower

Step

1

Preparing the Mower

No Parts Required

Procedure

1. Stop the engine and remove the ignition key.
2. Remove the mower as described in your *Operator's Manual*.
3. Turn the mower upside down.
4. Remove the mower blades as described in your *Operator's Manual*.

5. Locate the holes illustrated in Figure 1 and proceed as follows:
 - If any of the holes have fasteners in them, remove the fasteners.
 - If any of the holes have rivets in them, drill out the center of each rivet with a 3/16 inch (5 mm) drill bit and discard the rivet.

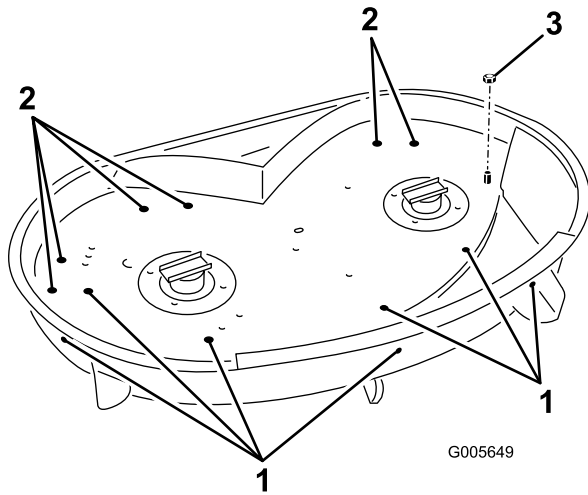


Figure 1

1. Holes for mounting the upper baffle
2. Holes for mounting the kickers
3. locknut (3/8 inch) from the discharge chute retaining rod

6. Remove the locknut (3/8 inch) securing the discharge chute retaining rod to the mower (Figure 1). Save it for later use.

Step

2

Installing the Upper Baffle

Parts needed for this step:

1	Upper baffle
3	Bolt (5/16 x 5/8 inch)
3	Flange-head nut (5/16 inch)
4	Bolt (1/4 x 5/8 inch)
4	Locknut (1/4 inch)

Procedure

1. Install the upper baffle, tabs pointed into the mower as shown in Figure 2. Ensure that the threads of the discharge chute rod come through the baffle hole.

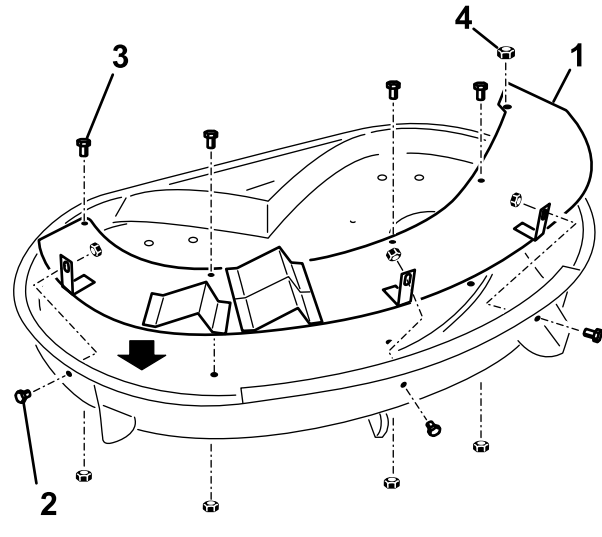


Figure 2

1. Upper baffle
2. Bolts (5/16 x 5/8 inch)
3. Bolts (1/4 x 5/8 inch)
4. Locknut (3/8 inch), install on the discharge chute retaining rod

2. Install the locknut removed previously over the threads of the discharge chute retaining rod to secure the baffle to the mower (Figure 2).
3. Install three bolts (5/16 x 5/8 inch) and three flange nuts (5/16 inch) through the side of the mower at each tab as shown in Figure 2. Install the fasteners with the nuts on the inside.
4. Install four bolts (1/4 x 5/8 inch) in the baffle and up through the top of the mower and secure it with four locknuts (1/4 inch) as shown in Figure 2.

Step

3

Installing the Kicker Plates

Parts needed for this step:

3	Kicker plate
6	Phillips head screw (#8 x 5/8 inch)

Procedure

1. Align the three kicker plates with holes toward the top of the mower (Figure 3). The long slope of the kickers must be face inward.

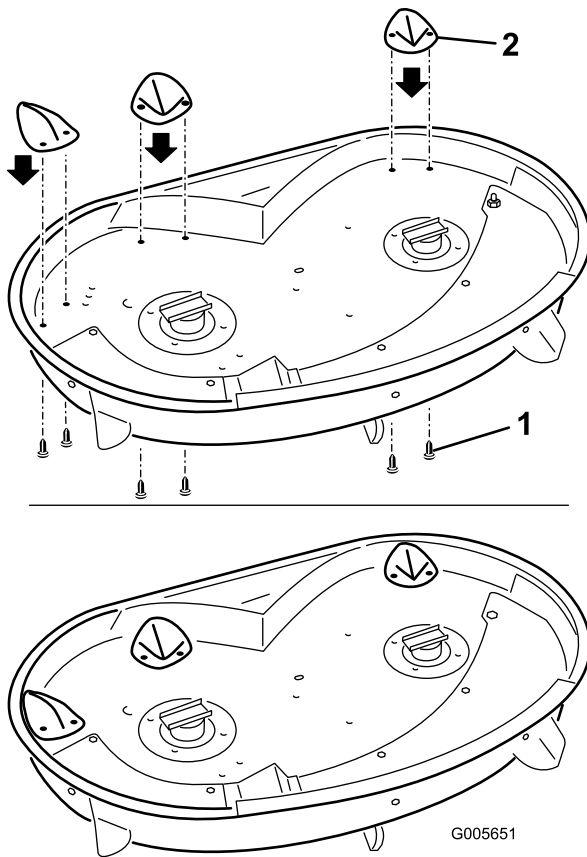


Figure 3

1. Kicker plate
2. Phillips head screw (#8 x 5/8 inch)

2. Secure the plates to the mower using six Phillips head screws (#8 x 5/8 inch). The screws come up through the top of the mower and into the plates (Figure 3).

Step

4

Installing the Discharge Cover

Parts needed for this step:

1	Discharge cover
2	Bolt (1/4 x 2-1/2 inches)
2	Cap nut (1/4 inch)

Procedure

1. Lift the grass deflector and slide the tabs on top of the discharge cover under the grass deflector retaining rod. Rotate the discharge cover down over the opening, and onto the lower lip of the mower (Figure 4).

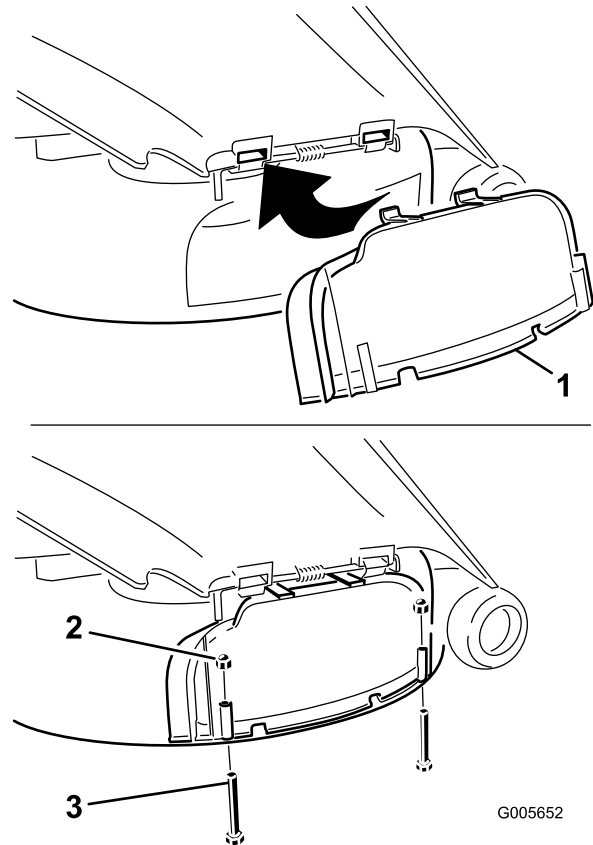


Figure 4

1. Discharge cover
2. Cap nut (1/4 inch)
3. Bolt (1/4 x 2-1/2 inches)

2. Secure the discharge cover to the lower lip of the mower with two bolts (1/4 x 2-1/2 inches)

and two cap nuts (1/4 inch) as shown in Figure 4.

Note: Do not overtighten the nuts; this could distort the cover and cause blade contact.

Step 5

Installing the Decal

Parts needed for this step:

1	Recycling decal
---	-----------------

Procedure

Install the decal on left side of the mower (Figure 5).

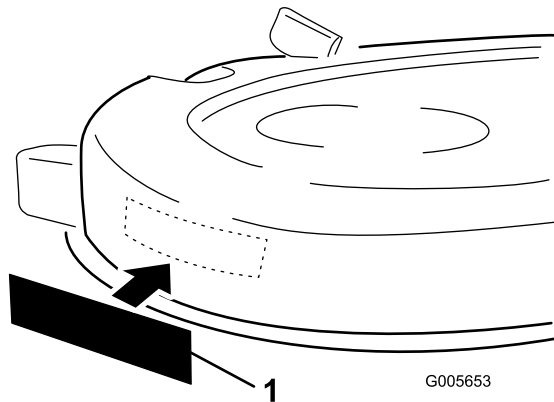


Figure 5

1. Recycler decal

Step 6

Installing the Blades and Mower

Parts needed for this step:

2	Recycling mower blade
---	-----------------------

Procedure

1. Install the new recycling mower blades as described in your *Operator's Manual*.
2. Install the mower as described in your *Operator's Manual*.

Operation

Converting to Side-discharge Operation



Without the grass deflector, discharge cover, or complete grass catcher assembly mounted in place, you and others are exposed to blade contact and thrown debris. Contact with rotating mower blade(s) and thrown debris will cause injury or death.

- Never remove the grass deflector from the mower because the grass deflector routes material down toward the turf. If the grass deflector is ever damaged, replace it immediately.
- Never put your hands or feet under the mower.
- Never try to clear the discharge area or mower blades unless you move the power take off (PTO) to disengage and turn the ignition key to off. Also remove the key and pull the wire off the spark plug(s).

Note: To use the mower in side discharge mode, only the discharge cover must be removed. Mounting hardware must be installed in open holes.

1. Stop the engine and remove the ignition key.
2. Remove the 2 bolts and nuts that secure the discharge cover to the mower.
3. Remove the discharge cover and lower the grass deflector over the discharge opening.

Important: Ensure the mower has a hinged grass deflector that disperses clippings to the side and down toward the turf, while in side discharge mode.

To mulch grass clippings, install the discharge cover into the opening in the side of the mower; refer to Installing the Discharge Cover.

Operating Tips

Selecting the Proper Height-of-Cut Setting to Suit the Conditions

Remove approximately one inch or no more than 1/3 of the grass blade when cutting. In exceptionally lush and dense grass you may have to raise the height-of-cut setting another notch or convert to side discharge or bagging operations.

Mowing in Extreme Conditions

Air is required to cut and recut grass clippings in the mower housing, so do not set the height-of-cut too low or totally surround the housing by uncut grass. Always have one side of the mower housing free from uncut grass, allowing air to be drawn into housing. When making an initial cut through the center of the uncut area, operate the machine at a slower speed and back up if the mower starts to clog.

Mowing at the Proper Intervals

Under normal conditions you'll need to mow every 4-5 days. However, grass grows at different rates at different times. Thus, in order to maintain the same height-of-cut, which is a good practice, you'll need to cut more frequently in early spring; as the grass growth rate slows in mid summer, cut only every 8-10 days. If you are unable to mow for an extended period due to the weather conditions or other reasons, convert to side discharge or bagging options or mow first with the height-of-cut at a high level; then mow again 2-3 days later with a lower height setting.

Always Mow with Sharp Blades

A sharp blade cuts cleanly and without tearing or shredding the grass blade like a dull blade. Tearing and shredding causes the grass to turn brown at the edges which impairs growth and increases susceptibility to disease.

Cleaning After Operating

To ensure optimum performance, clean the underside of the mower housing. If residue is allowed to build up in mower housing, cutting performance will decrease.



Count on it.