



## TX Platform Gasoline-Powered TX Compact Utility Loader

Model No. 22475 - 270000001 and up.

### Parts Catalog

---

#### Ordering Replacement Parts

To order replacement parts, please supply the part number, the quantity, and the description of each part desired.

#### Understanding Reference Numbers

Each Identified part in an illustration has a reference number. The reference number for a part also appears in the parts list, along with other information about the part.

This catalog uses two special reference number formats, one to indicate parts in a service assembly and another to indicate the quantity of a given part in an illustration.

#### Service Assembly Reference Numbers

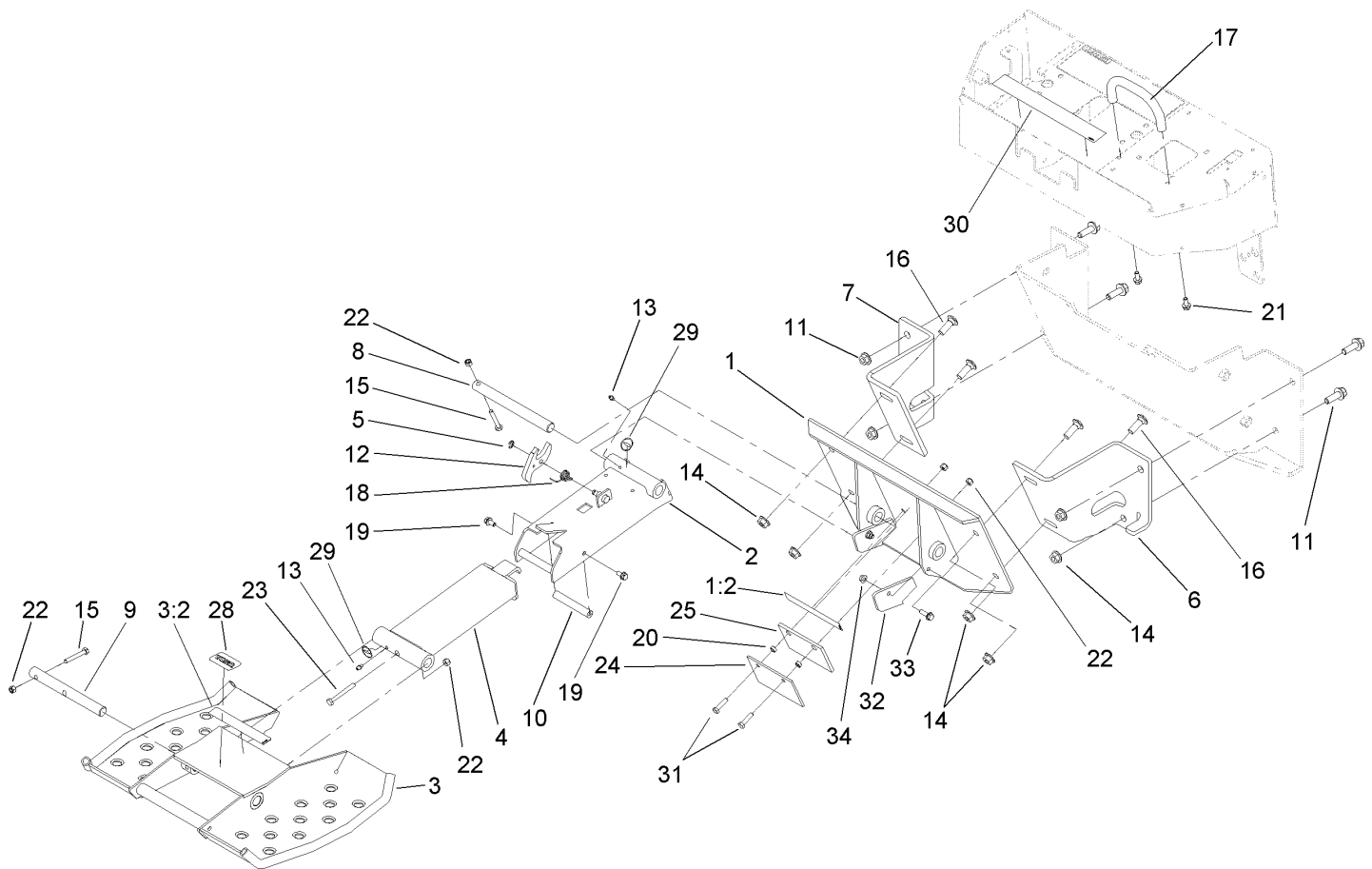
Parts in service assemblies have reference numbers in the form a:b. The a represents the reference number of the entire service assembly and the b represents a sequential number unique to each part within the service assembly.

For example, a wheel assembly might be identified by reference number 6, the tire by 6:1, the valve by 6:2, and the wheel by 6:3. When you order the assembly identified by reference number 6, you receive all parts identified by reference numbers 6:1, 6:2, and 6:3. However, you may also order any part individually. Reference numbers of this type appear in illustrations and in part lists.

#### Reference Numbers Indicating Quantity

In an illustration, if a reference number indicates more than one part, the reference number has the form nX y. The n represents the quantity of the part, the X is the multiplication symbol, and the y represents the reference number.

For example, in an illustration, the reference number 2X 37 means that two of the parts identified by reference number 37 are indicated.



## Platform Assembly

Ref	Part No.	Qty.	Description
1	112-2745	1	Mounting Plate ASM
1:2	94-3353	1	Decal-Point, Pinch
2	112-2628-01	1	Linkage-Wrapper
3	112-2746	1	Platform ASM
3:2	94-3353	1	Decal-Point, Pinch
4	110-0129-01	1	Slide ASM
5	105-7004	1	E-Ring
6	110-0104-01	1	Plate-Mounting, RH
7	110-0105-01	1	Plate-Mounting, LH
8	110-0106	1	Pin-Upper
9	110-0190	1	Pin-Lower
10	110-0192-01	1	Rod-Clamp
11	100-6116	4	Screw-HHF
12	112-2618	1	Latch
13	302-5	2	Fitting-Grease
14	32128-49	8	Nut-HHF
15	322-11	2	Screw-HH
16	3233-2	4	Screw-CARR
17	112-2620	1	Bar-Reference
18	75-3970	1	Spring-Torsion, RH
19	3234-14	2	Screw-HHF
20	65-9330	2	Spacer
21	3234-5	2	Screw-HHF
22	3296-29	5	Nut-Lock, NI

Ref	Part No.	Qty.	Description
23	322-13	1	Screw-HH
24	112-2696-01	1	Plate-Push
25	112-2698	1	Pad-Rubber
28	98-3206	1	Decal
29	58-6520	2	Decal-Grease
30	112-2744	1	Decal-Warning/Instructional
31	322-47	2	Screw-HH
32	114-1252	2	Plate-Bumper
33	3234-17	2	Screw-HHF
34	32128-20	2	Nut-HF