



# Commercial Walk-Behind Mower Floating Deck Pistol Grip Hydro with 40in TURBO FORCE<sup>®</sup> Cutting Unit

Model No. 30286 - 270000001 and up.

## Parts Catalog

### Ordering Replacement Parts

To order replacement parts, please supply the part number, the quantity, and the description of each part desired.

### Understanding Reference Numbers

Each identified part in an illustration has a reference number. The reference number for a part also appears in the parts list, along with other information about the part.

This catalog uses two special reference number formats, one to indicate parts in a service assembly and another to indicate the quantity of a given part in an illustration.

### Service Assembly Reference Numbers

Parts in service assemblies have reference numbers in the form a:b. The a represents the reference number of the entire service assembly and the b represents a sequential number unique to each part within the service assembly.

For example, a wheel assembly might be identified by reference number 6, the tire by 6:1, the valve by 6:2, and the wheel by 6:3. When you order the assembly identified by reference number 6, you receive all parts identified by reference numbers 6:1, 6:2, and 6:3. However, you may also order any part individually. Reference numbers of this type appear in illustrations and in part lists.

### Reference Numbers Indicating Quantity

In an illustration, if a reference number indicates more than one part, the reference number has the form nX y. The n represents the quantity of the part, the X is the multiplication symbol, and the y represents the reference number.

For example, in an illustration, the reference number 2X 37 means that two of the parts identified by reference number 37 are indicated.

# Contents

Description	Page	Description	Page
Engine and Clutch Assembly	3	Cylinder and Crankcase Assembly Kawasaki FH541V-AS24	25
Fuel System, Hydro Pump and Filter Assembly	4	Piston and Crankshaft Assembly Kawasaki FH541V-AS24	26
Hydraulic Pump Assembly No. 109-4988	5	Valve and Camshaft Assembly Kawasaki FH541V-AS24	27
Hydraulic Pump Assembly No. 112-8717	6	Lubrication Equipment Assembly Kawasaki FH541V-AS24	28
Pump Drive and Wheel Motor Assembly	7	Cooling Equipment Assembly Kawasaki FH541V-AS24	29
Hydraulic Wheel Motor Assembly No. 104-1171	8	Electric Equipment Assembly Kawasaki FH541V-AS24	30
Lower Control Assembly	9	Control Equipment Assembly Kawasaki FH541V-AS24	31
Hydraulic Hose Assembly	11	Carburetor Assembly Kawasaki FH541V-AS24	32
Upper Control Assembly	12	Air Filter and Muffler Assembly Kawasaki FH541V-AS24	33
Control Panel Assembly	13	Fuel Tank and Valve Assembly Kawasaki FH541V-AS24	34
Battery Assembly	14	Starter Assembly Kawasaki FH541V-AS24	35
Parking Brake Assembly	15	Label Assembly Kawasaki FH541V-AS24	36
Power-Take-Off Idler and Weight Assembly	16	Attachments and Accessories List	37
Carrier Frame Assembly	17		
Deck Drive and Baffle Assembly	18		
Deck Assembly No. 112-7081	19		
Spindle Assembly No. 110-0728	20		
Spindle Assembly No. 110-6927	21		
Lever Assembly No. 107-1664	22		
Deck Assembly	23		
Deflector Assembly No. 110-0790	24		

## Part Description Abbreviations

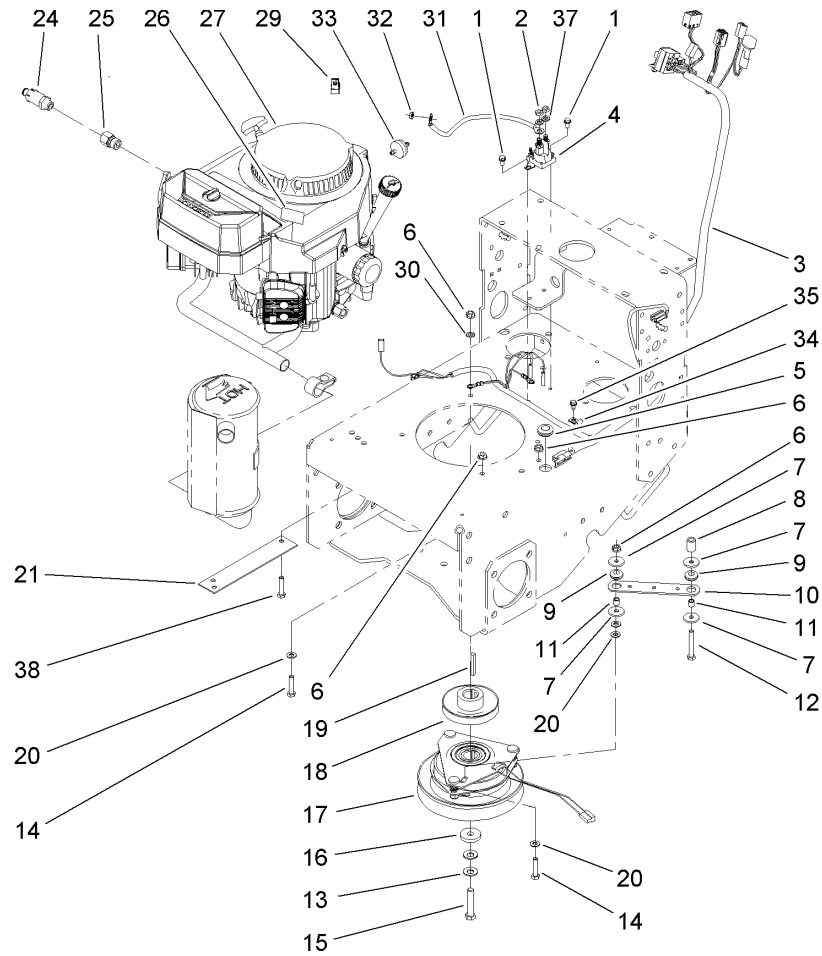
Part descriptions in this catalog may include the following abbreviations.

AR. . . . . as required	HYD. . . . . hydraulic
ASM. . . . . assembly	LH. . . . . left hand
BBC. . . . . blade brake clutch	NI. . . . . nylon insert
CARR. . . . . carriage	NPTF. . . . . national pipe thread fine
DEG. . . . . degrees	PFH. . . . . phillips flat head
EXT. . . . . external	PPH. . . . . phillips pan head
FH. . . . . flat head	PPHTF. . . . . phillips pan head thread forming
GA. . . . . gauge	PRH. . . . . phillips round head
HD. . . . . heavy-duty	PTH. . . . . phillips truss head
HF. . . . . hex flange	PTO. . . . . power-take-off
HH. . . . . hex head	RH. . . . . right hand
HHF. . . . . hex head flange	ROPS. . . . . roll-over protection system
HHFTF. . . . . hex head flange thread forming	SFH. . . . . slotted fillister head
HJ. . . . . hex jam	SHH. . . . . slotted hex head
HLH. . . . . hex lag head	SHWH. . . . . slotted hex washer head
HOC. . . . . height-of-cut	SPH. . . . . slotted pan head
HSBH. . . . . hex socket button head	SQH. . . . . square head
HSFH. . . . . hex socket flat head	SRH. . . . . slotted round head
HSH. . . . . hex socket head	STD. . . . . standard
HWH. . . . . hex washer head	TAP. . . . . self tapping
HWHTF. . . . . hex washer head thread forming	TTH. . . . . torx truss head

## Footnotes

- ❶ Not illustrated
- ❷ Obtain from your local Kawasaki dealer

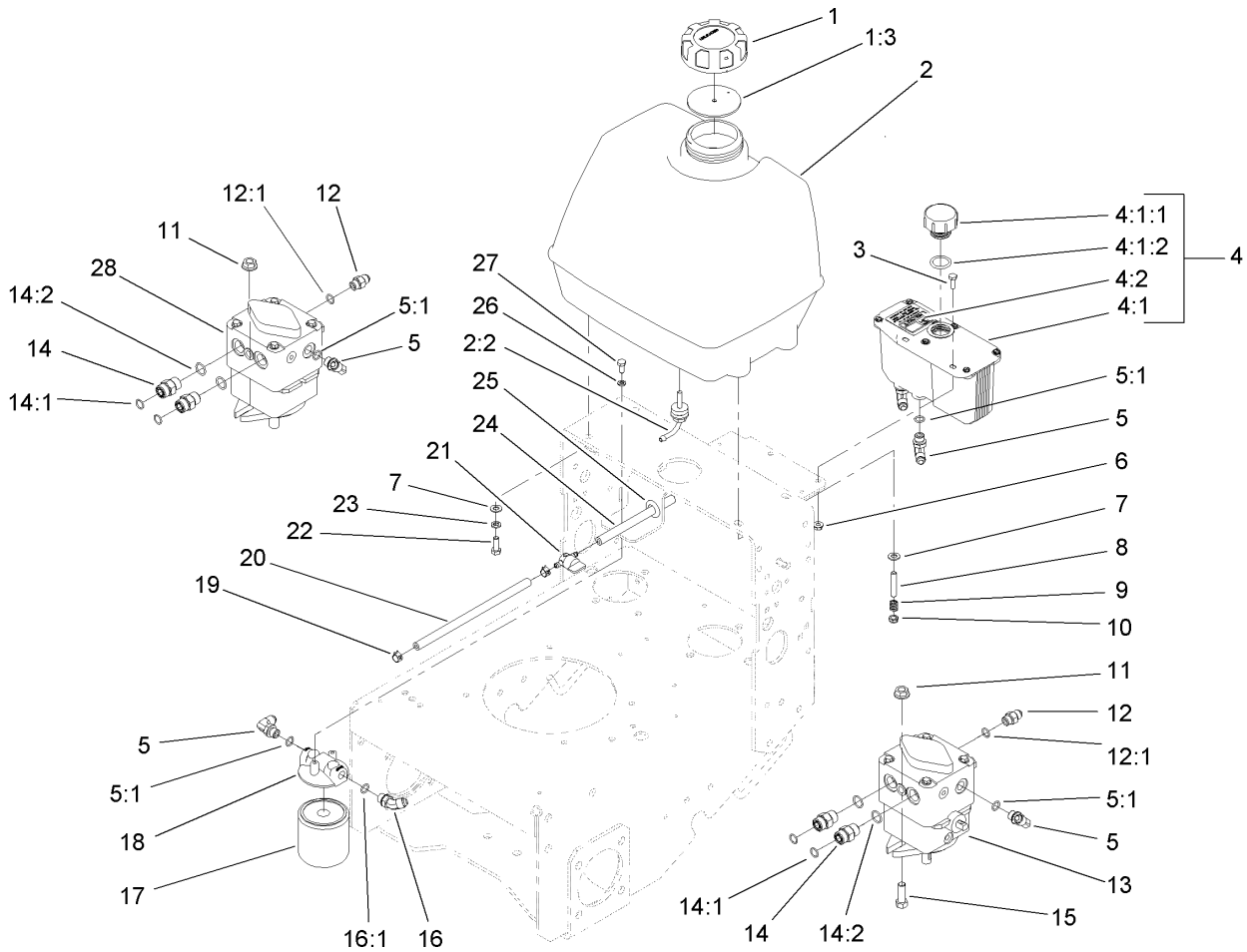
- ❸ Not serviced separately



## Engine and Clutch Assembly

Ref	Part No.	Qty.	Description
1	32144-4	2	Screw-HWH
2	3220-2	2	Nut-Jam
3	106-8780	1	Harness-Wire
4	1-513075	1	Switch-Solenoid
5	112-7069	1	Grommet
6	32128-20	6	Nut-HF
7	1-613235	4	Washer
8	104-6373	1	Tube-Retainer
9	1-633630	2	Grommet-Brake
10	1-633543-03	1	Strap-Clutch, Brake
11	1-633545	2	Spacer
12	322-11	1	Screw-HH
13	1-603610	2	Washer-Spring
14	322-7	4	Screw-HH
15	3212-9	1	Screw-HH
16	107-4136	1	Washer
17	105-2635	1	Clutch / Brake
18	112-7067	1	Pulley
19	608006	1	Key-Square
20	3256-23	5	Washer-Flat
21	94-5847-01	1	Cover-Pulley
24	92-6877	1	Valve-Drain, Oil
25	103-1966	1	Adapter
26	106-0699	1	Decal-Warning, Hot Surfaces

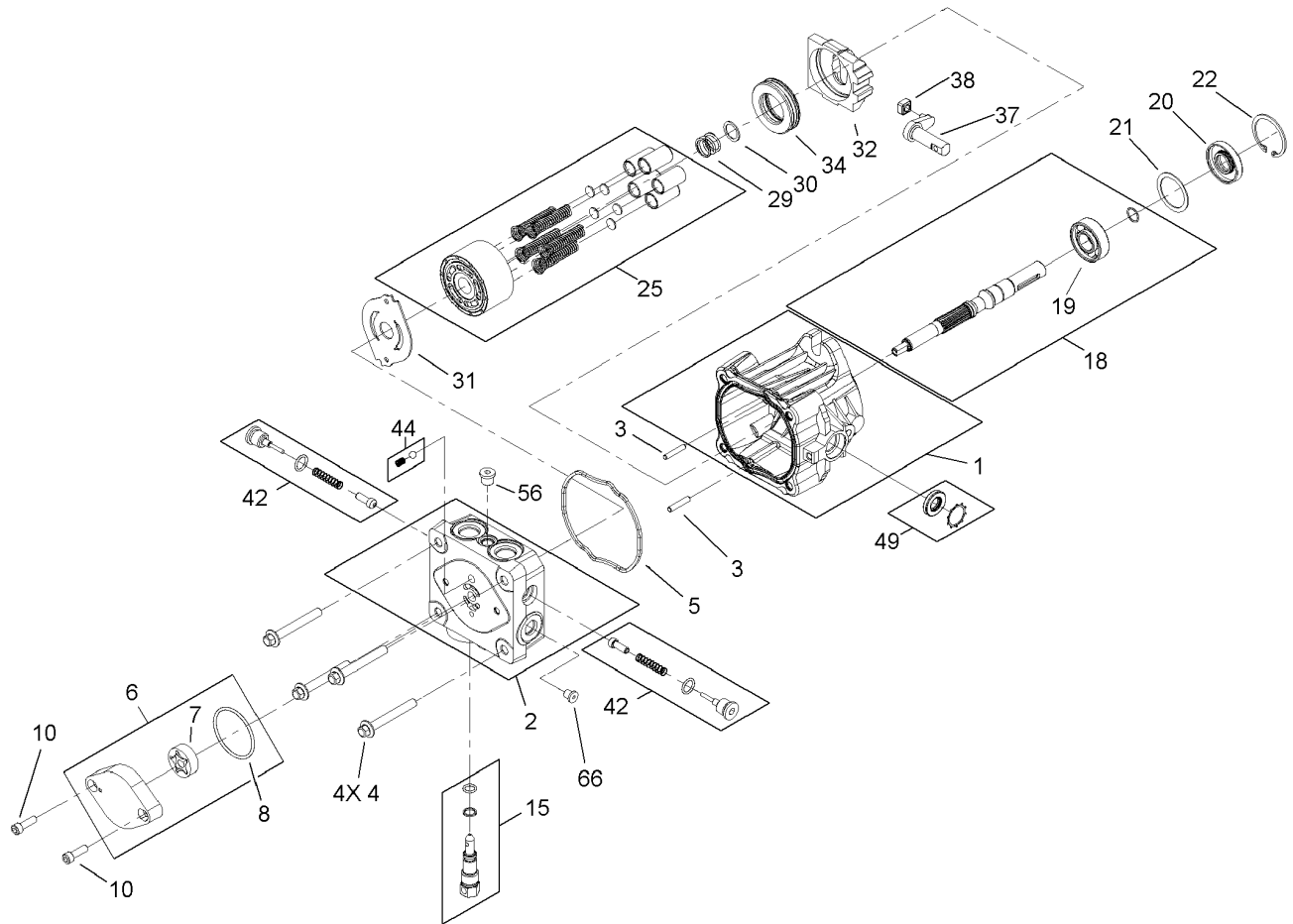
Ref	Part No.	Qty.	Description
27		1	Engine-Kawasaki, FH541V-As24
29	2412-87	1	Clamp-Cable
30	3255-8	1	Washer-Lock
31	105-0834	1	Cable-Battery
32	32149-2	1	Nut-Keps
33	56-6360	1	Filter-Fuel
34	2412-72	1	Clip-Closed, Insulated
35	12-3270	1	Screw
37	3253-4	2	Washer-Lock
38	322-9	1	Screw-HH
99	103-1964	1	Hose-Drain, Oil



## Fuel System, Hydro Pump and Filter Assembly

Ref	Part No.	Qty.	Description
1	88-3980	1	Gas Cap ASM
1:3	88-4010	1	Gasket-Cap, Gas
2	106-0730	1	Fuel Tank ASM
2:2	103-2605	1	Fitting-Fuel, Bulkhead
3	321-4	2	Screw-HH
4	103-1947	1	HYD Reservoir ASM
4:1		1	Reservoir-HYD
4:1:1	103-1948	1	Cap-Reservoir, HYD
4:1:2	103-1949	1	Gasket-Cap
4:2	1-523552	1	Decal-Tank, HYD
5	353-374	5	Elbow-90 DEG
5:1	237-42	1	O-Ring
6	32128-33	2	Nut-HF
7	3256-23	4	Washer-Flat
8	104-8121	2	Stud-Threaded
9	1-633349	2	Spring-Tank, Fuel
10	3296-47	2	Nut-Lock, NI
11	32128-42	4	Nut-HF
12	353-384	2	Fitting-Straight
12:1	237-42	1	O-Ring
13	109-4988	1	Pump-HYD
14	340-4	4	Fitting-HYD, Straight
14:1	237-30	1	O-Ring
14:2	237-79	1	O-Ring

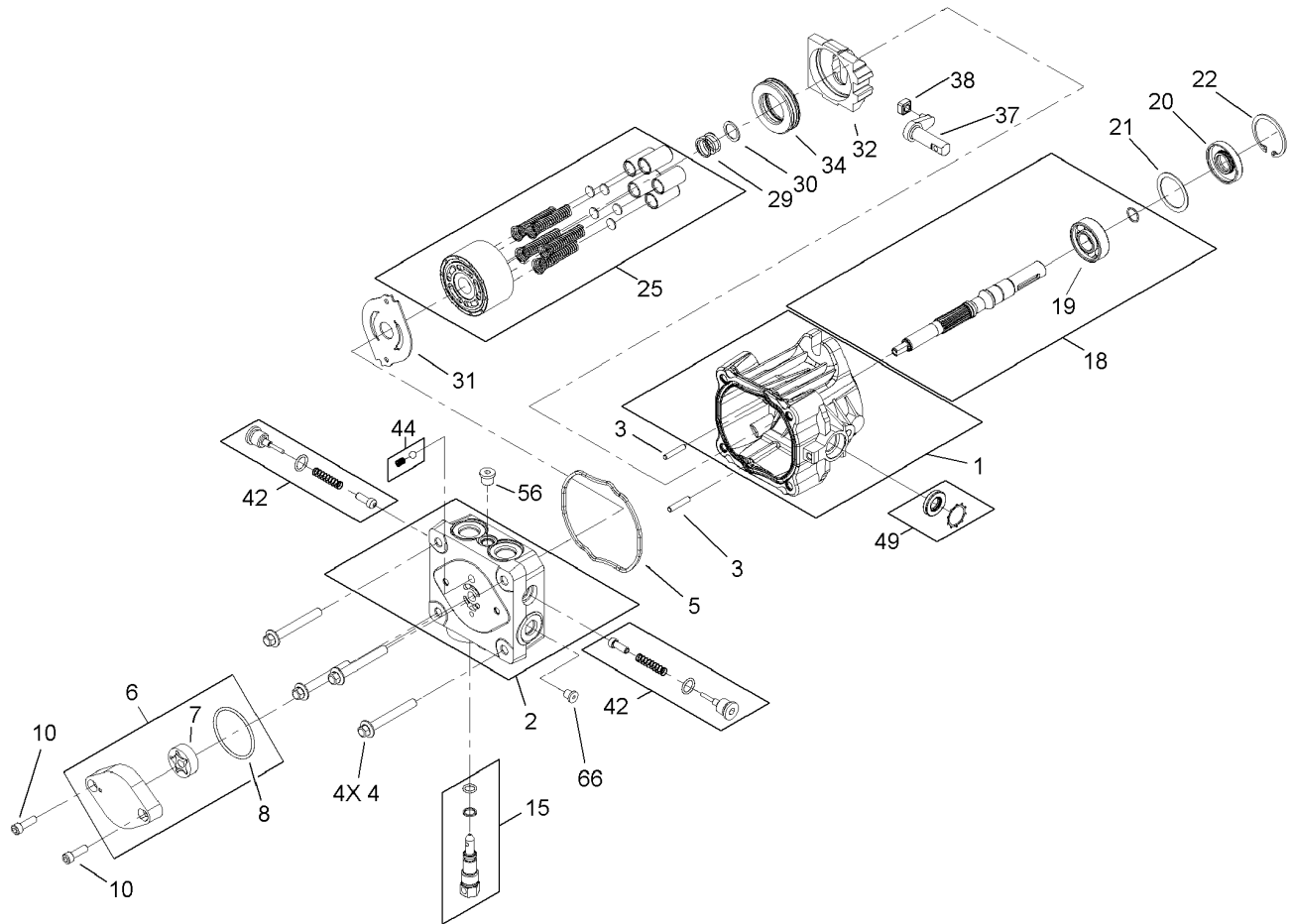
Ref	Part No.	Qty.	Description
15	324-5	4	Screw-HH
16	353-212	1	Elbow
16:1	237-42	1	O-Ring
17	1-633750	1	Filter-Oil, HYD
17	1-633752	1	Filter-HYD, Winter
18	104-7836	1	Head-Filter
19	2412-98	4	Clamp
20	110-4894	1	Hose-Fuel
21	1-603770	1	Valve-Fuel
22	322-4	2	Screw-HH
23	3253-4	2	Washer-Lock
24	107-0588	1	Hose-Fuel
25	112-7069	1	Grommet
26	3253-3	2	Washer-Lock
27	321-3	2	Screw-HH
28	112-8717	1	Pump-HYD



## Hydraulic Pump Assembly No. 109-4988

Ref	Part No.	Qty.	Description
1	106-8751	1	Housing Kit
2	106-8752	1	End Cap Kit (W/Poppets)
3	106-8753	2	Pin-Headless, Straight
4	106-8754	4	Bolt-HF
5	106-8755	1	O-Ring
6	106-8756	1	Charge Pump Kit
7	104-2122	1	Gerotor ASM
8	106-8757	1	O-Ring
10	106-8758	2	Screw-HSH
15	106-8759	1	Bypass Valve Kit
18	103-2664	1	Input Shaft Kit
19	104-5311	1	Bearing-Ball
20	104-5310	1	Seal-Lip
21	104-5308	1	Spacer
22	104-5309	1	Ring-Retaining
25	104-2106	1	Cylinder Block ASM
29	94-1936	1	Spring-Block
30	94-1937	1	Washer-Block, Thrust
31	105-6185	1	Plate-Valve
32	94-1907	1	Swashplate-Variable
34	94-6922	1	Bearing-Thrust
37	94-1909	1	Arm-Trunion
38	94-1910	1	Guide-Slot
42	98-3252	2	Valve-Check (W/Poppet)

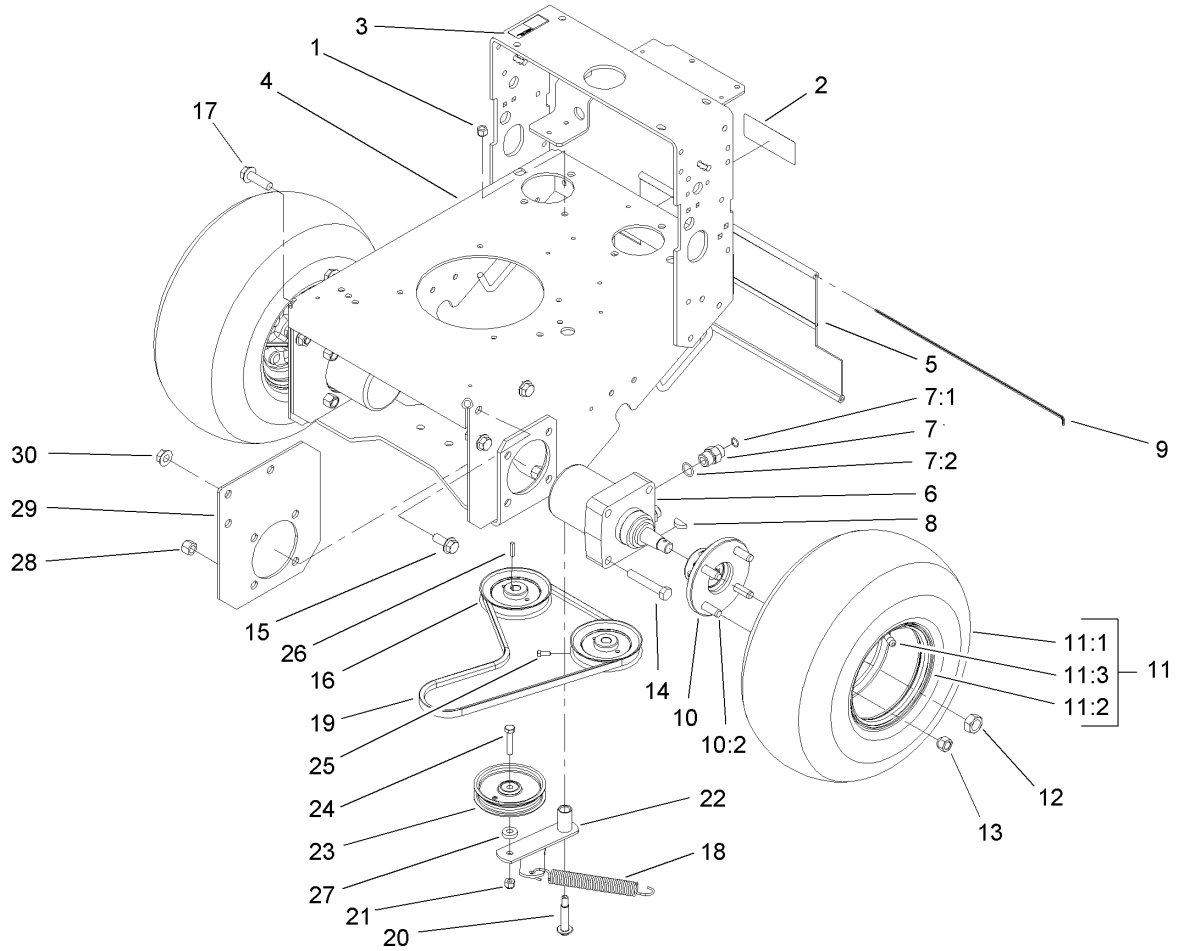
Ref	Part No.	Qty.	Description
44	106-8760	1	Charge Relief Valve Kit
49	106-8761	1	Trunion Seal / Retainer Kit
56	106-8762	1	Plug-HSH
66	106-8763	1	Plug-HSH
99	105-6184	1	Overhaul Seal Kit



## Hydraulic Pump Assembly No. 112-8717

Ref	Part No.	Qty.	Description
1	106-8751	1	Housing Kit
2	106-8752	1	End Cap Kit (W/Poppets)
3	106-8753	2	Pin-Headless, Straight
4	106-8754	4	Bolt-HF
5	106-8755	1	O-Ring
6	106-8756	1	Charge Pump Kit
7	104-2122	1	Gerotor ASM
8	106-8757	1	O-Ring
10	106-8758	2	Screw-HSH
15	106-8759	1	Bypass Valve Kit
18	103-2664	1	Input Shaft Kit
19	104-5311	1	Bearing-Ball
20	104-5310	1	Seal-Lip
21	104-5308	1	Spacer
22	104-5309	1	Ring-Retaining
25	104-2106	1	Cylinder Block ASM
29	94-1936	1	Spring-Block
30	94-1937	1	Washer-Block, Thrust
31	105-6185	1	Plate-Valve
32	94-1907	1	Swashplate-Variable
34	94-6922	1	Bearing-Thrust
37	94-1909	1	Arm-Trunion
38	94-1910	1	Guide-Slot
42	98-3252	2	Valve-Check (W/Poppet)

Ref	Part No.	Qty.	Description
44	106-8760	1	Charge Relief Valve Kit
49	106-8761	1	Trunion Seal / Retainer Kit
56	106-8762	1	Plug-HSH
66	106-8763	1	Plug-HSH
99	105-6184	1	Overhaul Seal Kit

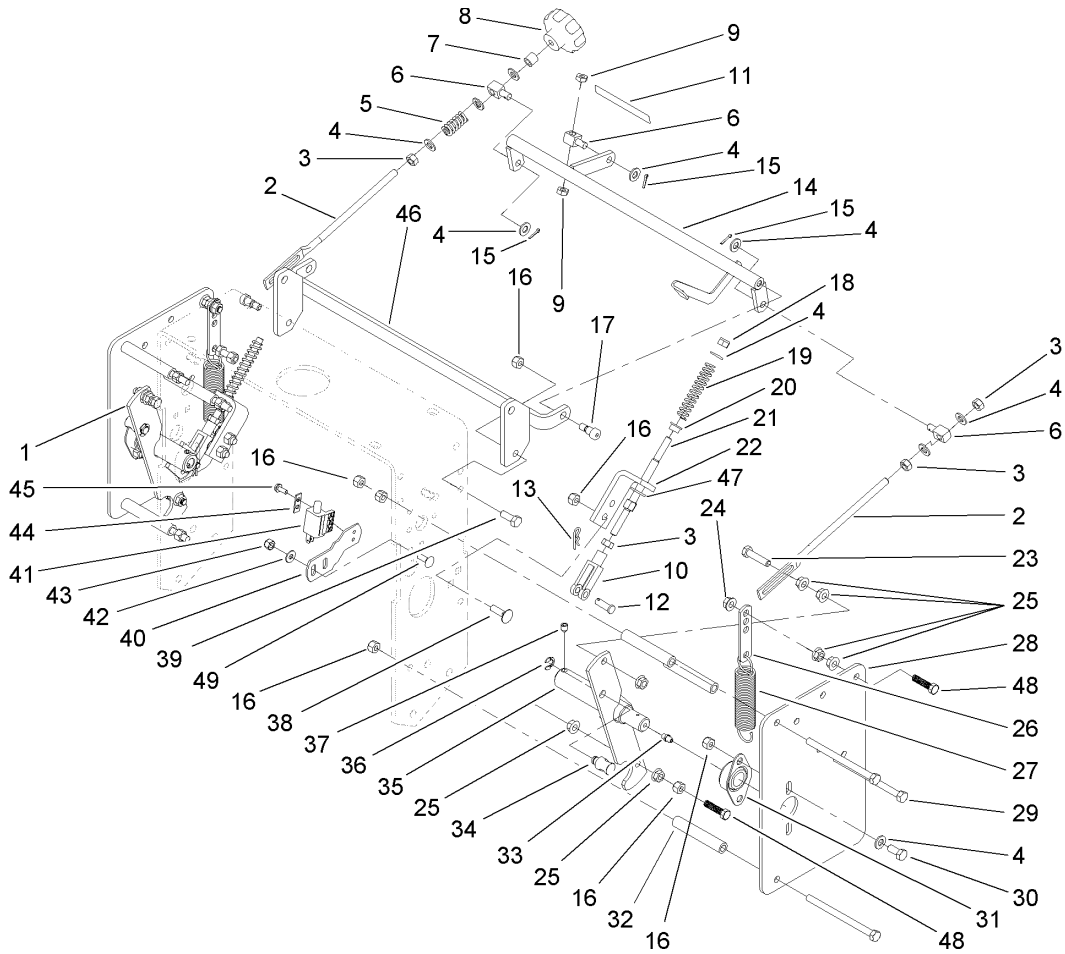


## Pump Drive and Wheel Motor Assembly

Ref	Part No.	Qty.	Description
1	3296-6	1	Nut-Lock
2	98-0776	1	Decal-Caution
3	95-2814	1	Decal-Shut Off, Fuel
4	110-4987-01	1	Frame ASM
5	95-1526	1	Shield-Trailing
6	104-1171	2	Motor-Wheel
7	340-6	4	Fitting-HYD, Straight
7:1	237-30	1	O-Ring
7:2	237-80	1	O-Ring
8	3257-8	2	Key-Woodruff
9	95-1529	1	Rod-Shield
10	105-0800	2	Wheel Hub / Stud ASM
10:2	10-6830	4	Stud-Type, Drive
11	106-0892	2	Wheel And Tire ASM
11:1	104-6322	1	Tire
11:2	106-0893	1	Wheel
11:3	232-27	1	Stem-Valve
12	85-7310	2	Nut-Motor, Wheel
13	242-50	8	Nut-Lug
14	325-12	8	Screw-HH
15	3234-32	4	Screw-HHF
16	1-413010	2	Sheave ASM
17	3234-22	2	Screw-HHF
18	80-6610	1	Spring-Extension

Ref	Part No.	Qty.	Description
19	110-5049	1	Belt-V
20	27-6230	1	Bolt-Wheel
21	3296-39	1	Nut-Lock, NI
22	86-4770	1	Idler Lever ASM
23	93-1622	1	Pulley-Idler
24	323-9	1	Screw-HH
25	1-803050	4	Screw-Set
26	1-807272	2	Key
27	9202204	1	Washer
28	32128-49	8	Nut-HHF
29	108-6657-01	2	Plate-Frame
30	32128-23	6	Nut-HF



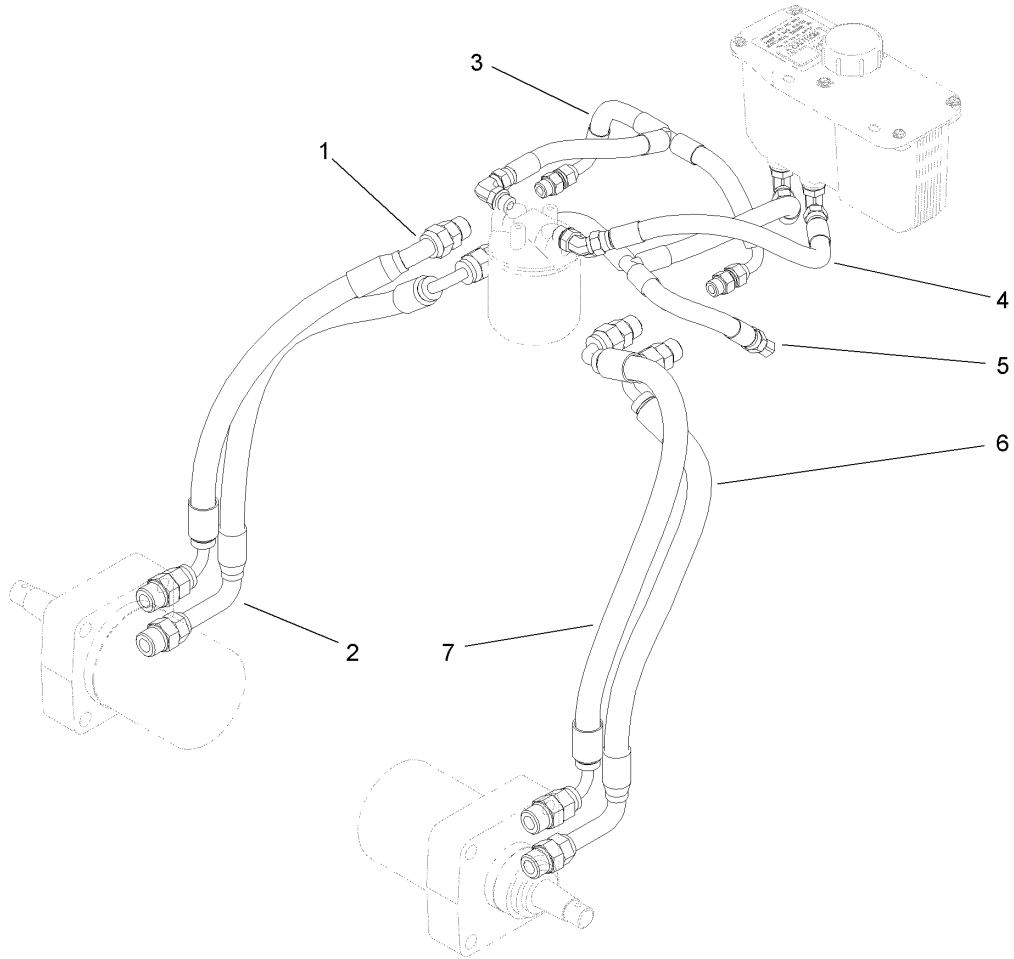


## Lower Control Assembly

Ref	Part No.	Qty.	Description
1	106-5484	1	RH Control Arm ASM
2	1-413350	2	Link-Control, Speed
3	3219-2	5	Nut-Hex
4	3256-23	14	Washer-Flat
5	1-323245	1	Spring-Compression
6	1-603676	3	Swivel-Adjustable, Short
7	1-603903	1	Spacer
8	1-413151	1	Knob-Tracking
9	3220-2	2	Nut-Jam
10	1-303105	2	Yoke-Adjustable
11	105-4109	1	Decal-Tracking
12	1-808280	2	Pin-Clevis
13	3290-307	2	Pin-Hair
14	106-5538-01	1	Speed Control Crank ASM
15	3272-5	3	Pin-Cotter
16	3296-29	18	Nut-Lock, NI
17	1-809056	2	Screw
18	3296-4	2	Nut-Lock
19	1-603807	2	Spring-Return, Neutral
20	109-3769	2	Bushing-Nylon, Flanged
21	105-9372	2	Stud-Adjustment
22	104-9802-01	2	Bracket-Mount, Spring
23	1-403180	2	Screw-HH
24	32128-25	2	Nut-HF

Ref	Part No.	Qty.	Description
25	32128-20	14	Nut-HF
26	1-613089	2	Tab-Spring, Extension
27	1-603693	2	Spring-Extension
28	104-9817-01	2	Plate-Side
29	322-38	6	Screw-HH
30	322-3	4	Screw-HH
31	1-633102	2	Bearing-Flange, Side
32	104-9820	6	Spacer-Shield
33	302-5	2	Fitting-Grease
34	103-1235	2	Swivel-Lever, Drive
35	106-5480	1	LH Control Arm ASM
36	32151-47	2	Ring-Retaining
37	3246-3	4	Screw-HSH
38	3230-2	4	Bolt-CARR
39	322-4	2	Screw-HH
40	106-5539-01	1	Bracket-Neutral
41	1-513051	1	Switch-Open, Normally
42	3256-1	2	Washer-Flat
43	3296-42	2	Nut-Lock, NI
44	82-4570	1	Plate-Switch
45	32144-1	2	Screw-Taprite
46	105-3163-01	1	Crank Support ASM
47	3256-24	2	Washer-Flat
48	1-800016	4	Bolt-TAP, HH

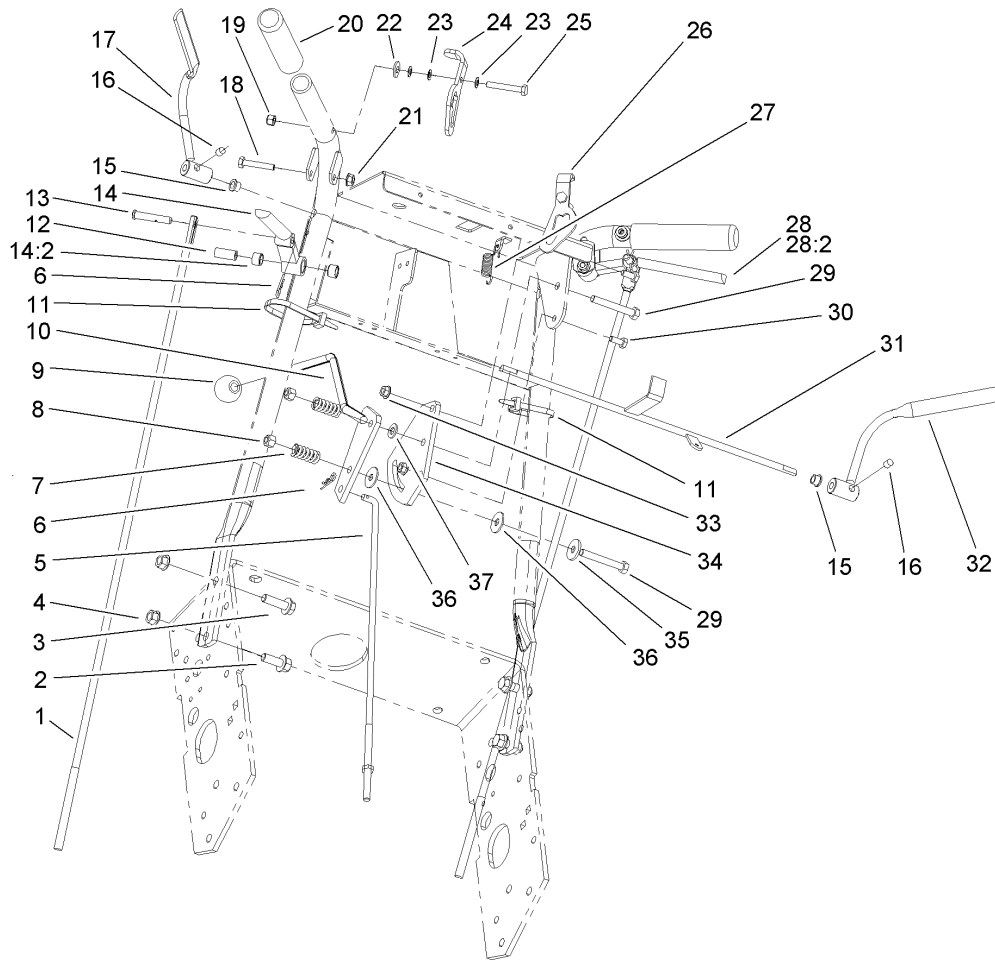




### Hydraulic Hose Assembly

Ref	Part No.	Qty.	Description
1	108-6666	1	HYD Hose ASM
2	108-6667	1	HYD Hose ASM
3	105-5697	1	HYD Hose ASM
4	105-5699	1	HYD Hose ASM
5	105-5698	1	HYD Hose ASM
6	112-7088	1	HYD Hose ASM
7	108-6668	1	HYD Hose ASM

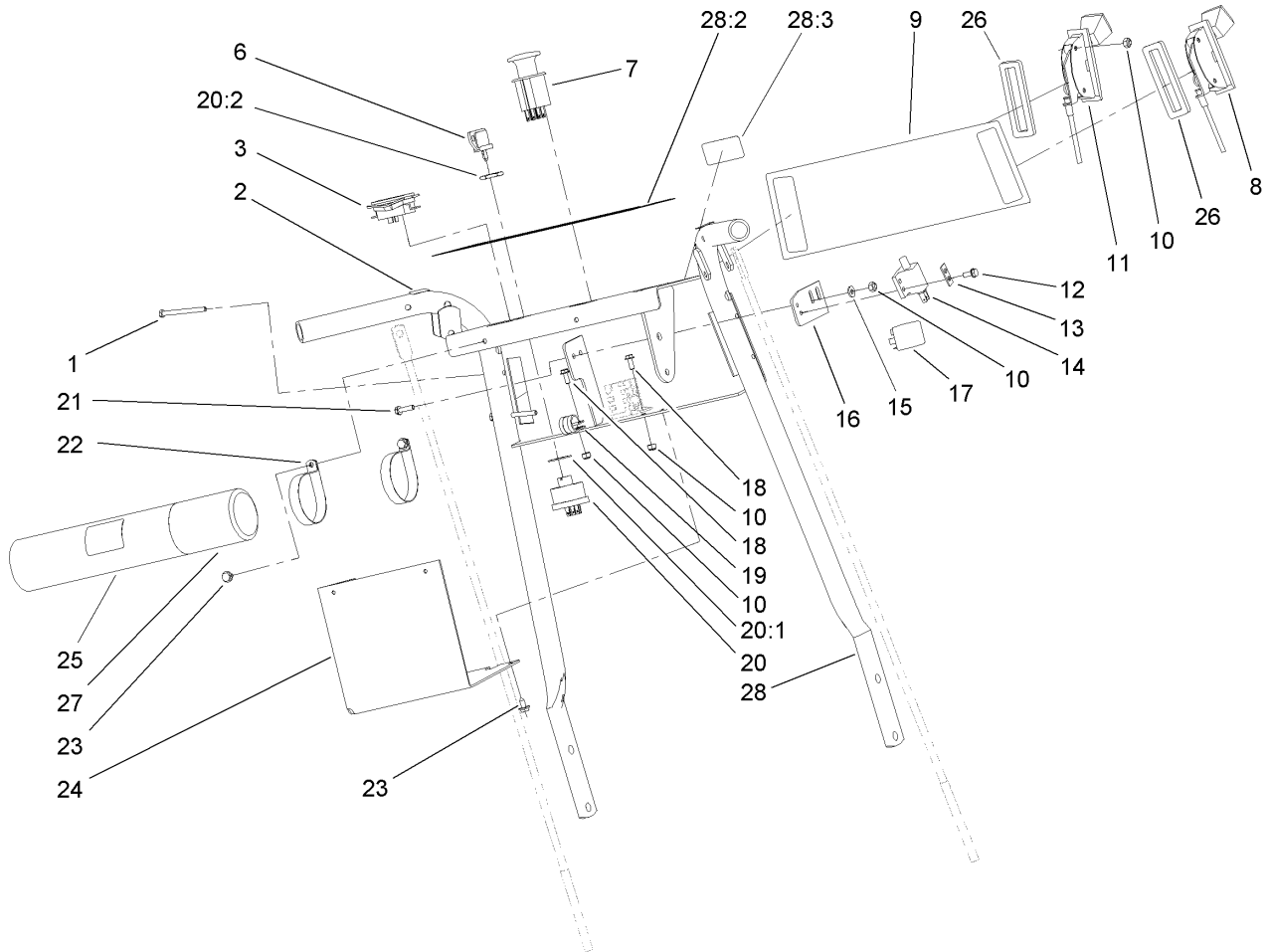
--	--	--	--



## Upper Control Assembly

Ref	Part No.	Qty.	Description
1	1-413219	2	Rod-Lever, Drive
2	3234-11	2	Screw-HHF
3	3234-24	2	Screw-HHF
4	32128-21	4	Nut-HF
5	106-5534	1	Rod-Control, Speed
6	3290-307	3	Pin-Hair
7	1-323245	2	Spring-Compression
8	3296-29	2	Nut-Lock, NI
9	233-42	1	Knob
10	106-2748	1	Lever-Shift
11	3290-378	2	Tie-Cable
12	1-603749	2	Bushing-Lever, Drive
13	1-613055	2	Pin-Clevis
14	103-0218	1	LH Drive Lever ASM
14:2	1-413152	2	Sleeve-Bushing
15	1-303365	2	Bushing-Nylon
16	1-803322	2	Screw-Set
17	106-5485	1	LH Operator Presence Control Lever ASM
18	321-9	2	Screw-HH
19	3296-42	2	Nut-Lock, NI
20	104-9838	2	Grip-Foam
21	32128-33	2	Nut-HF
22	3256-2	2	Washer-Flat

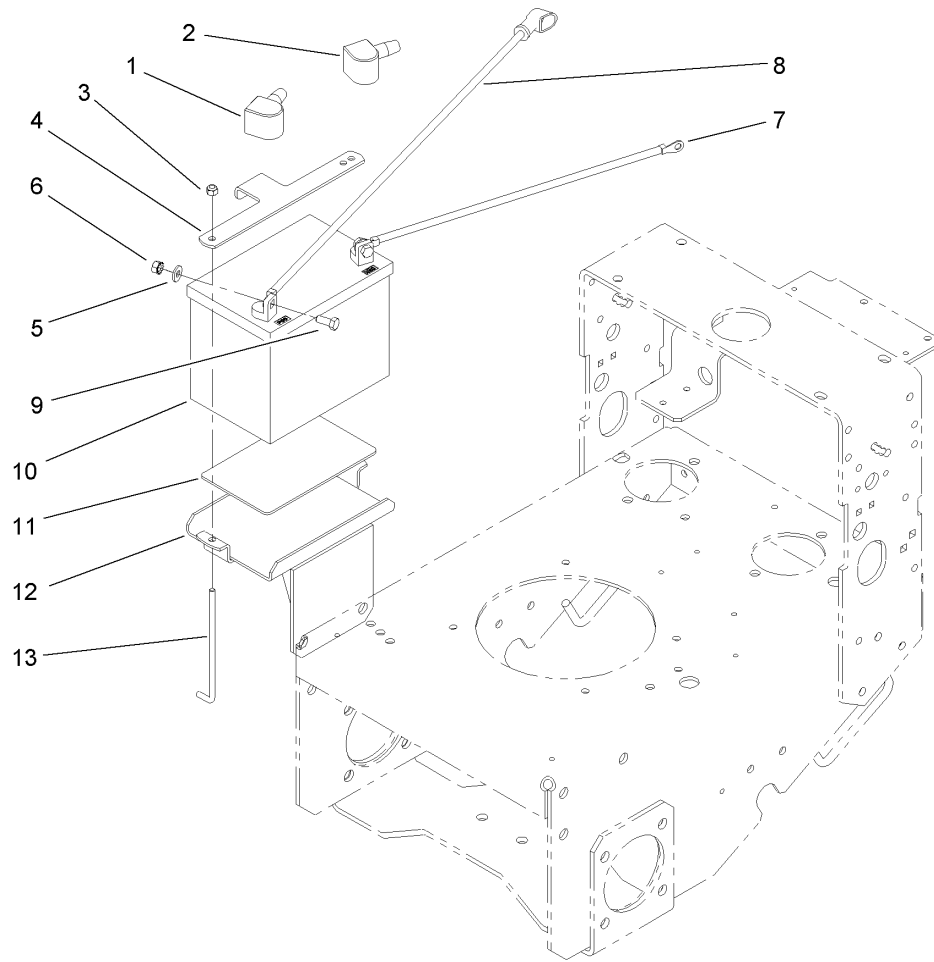
Ref	Part No.	Qty.	Description
23	1-303435	6	Washer-Spring
24	106-5483	1	Latch-Thumb, LH
25	321-10	2	Screw-HH
26	106-5481	1	Latch-Thumb, RH
27	1-303363	1	Spring-Extension
28	103-0219	1	RH Drive Lever ASM
28:2	1-413152	2	Sleeve-Bushing
29	322-11	2	Screw-HH
30	321-3	2	Screw-HH
31	104-9803	1	Rod ASM
32	106-5486	1	RH Operator Presence Control Lever ASM
33	32128-33	2	Nut-HF
34	1-603730	1	Plate-Lever, Shifter
35	1-603716	1	Washer-Friction
36	1-323244	2	Washer-Friction
37	3256-23	1	Washer-Flat



## Control Panel Assembly

Ref	Part No.	Qty.	Description
1	32105-14	4	Screw-SHH
2	105-4110	2	Decal-Lock, Neutral
3	104-8143	1	Hourmeter
6	63-8360	1	Key-Ignition
7	95-7489	1	Switch-PTO
8	110-4955	1	Control-Choke
9	110-4953	1	Decal-Throttle Control
10	3296-2	8	Nut-Lock
11	110-4954	1	Control-Throttle
12	32144-1	2	Screw-Taptite
13	82-4570	1	Plate-Switch
14	1-513051	1	Switch-Open, Normally
15	3256-14	2	Washer-Flat
16	105-4137-03	1	Plate-Mounting, Switch
17	98-7249	1	Relay
18	3290-321	2	Screw-HWH
19	2412-134	1	R-Clamp
20	88-9830	1	Key Switch ASM
20:1	3254-5	1	Washer-Tooth
20:2	218-461	1	Nut-HH
21	32105-13	2	Screw-SHH
22	2412-120	2	R-Clamp
23	32104-76	4	Screw
24	105-4112-03	1	Bracket-Cover

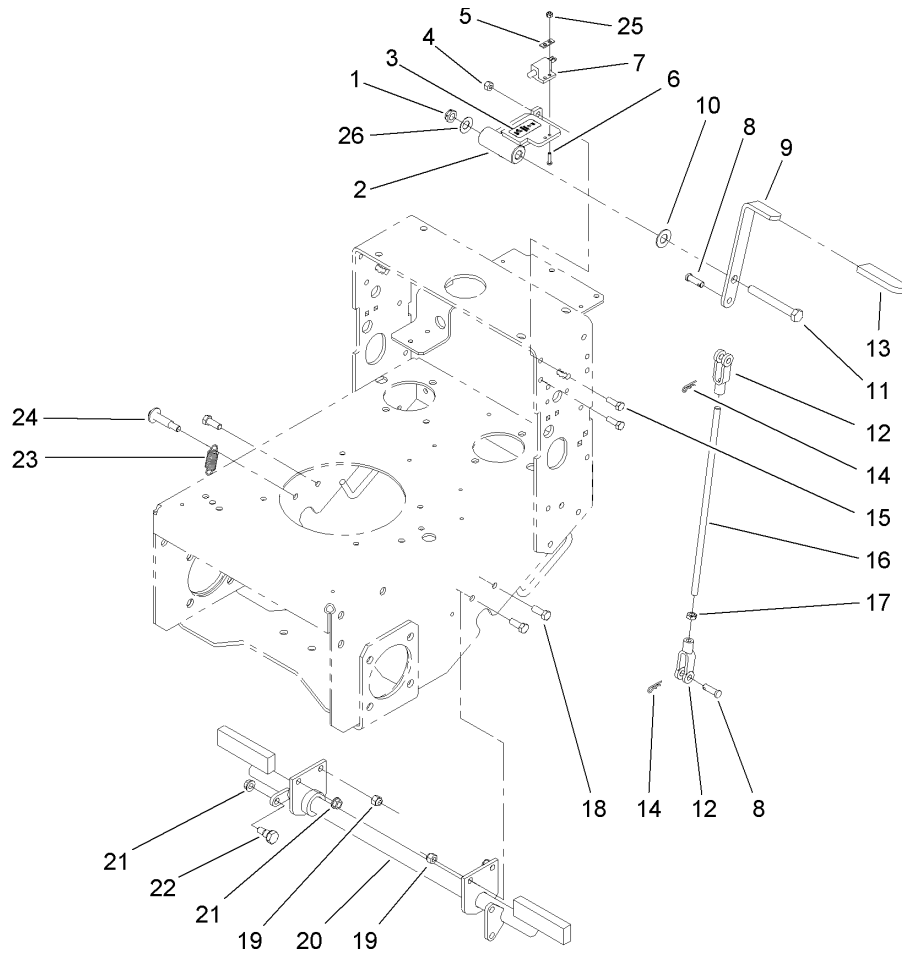
Ref	Part No.	Qty.	Description
25	104-7050	1	Housing-Manual
26	106-5487	2	Gasket-Throttle
27	104-7048	1	Cap-Housing
28	110-4951	1	Handle ASM
28:2	106-5515	1	Decal-Panel, Control
28:3	98-4387	1	Decal-Protection, Ear



## Battery Assembly

Ref	Part No.	Qty.	Description
1	77-0981	1	Boot-Terminal, Red
2	77-0980	1	Boot-Terminal, Black
3	3296-42	2	Nut-Lock, NI
4	104-8568-03	1	Plate-Hold Down, Battery
5	3256-2	2	Washer-Flat
6	32149-1	2	Nut-Keps
7	112-7063	1	Cable-Battery, Black
8	112-7064	1	Cable-Battery, Red
9	322-3	2	Screw-HH
10	104-8162	1	Battery
11	62-4300	1	Pad-Skid, Anti
12	105-3150-01	1	Battery Tray ASM
13	104-8567	2	Holddown-Battery

--	--	--	--

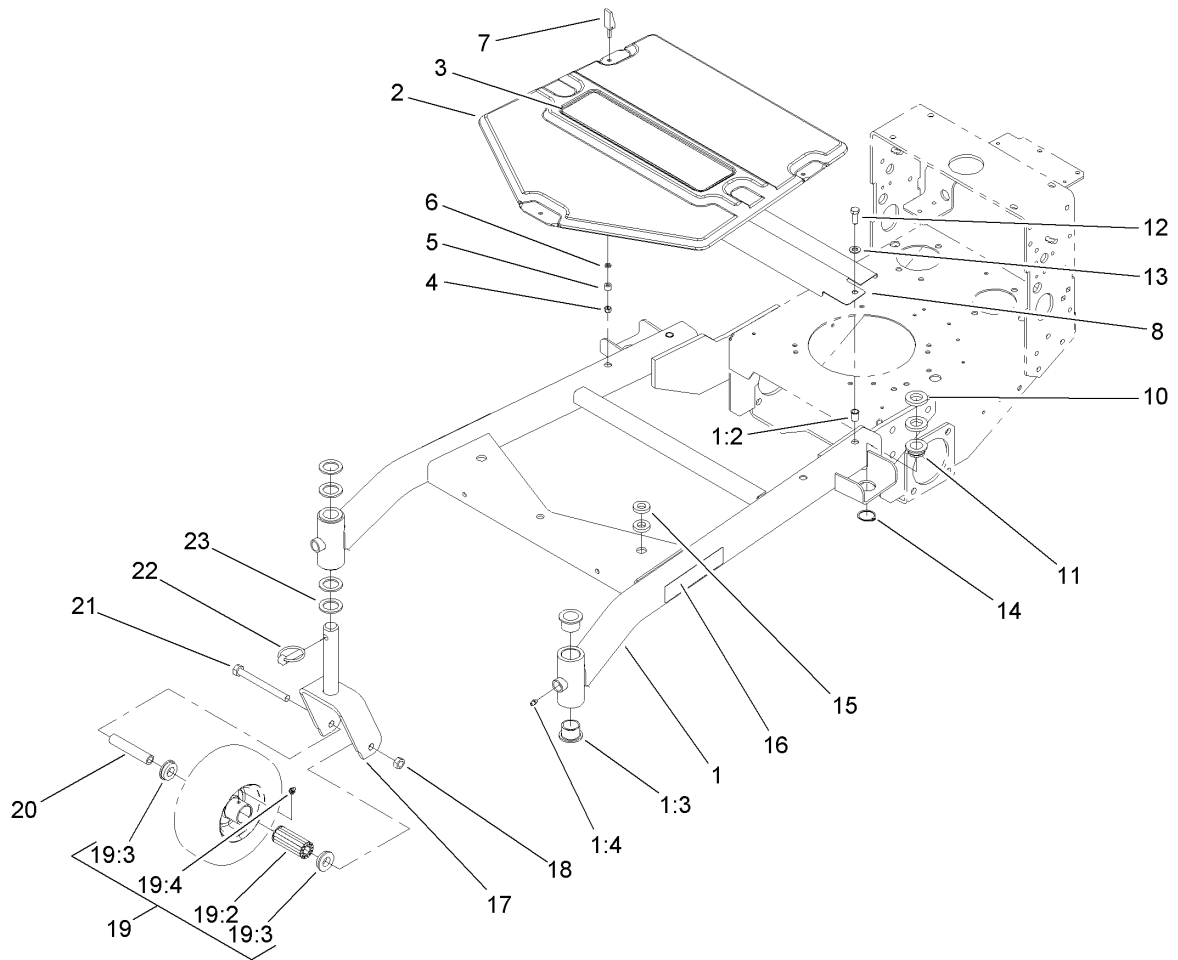


## Parking Brake Assembly

Ref	Part No.	Qty.	Description
1	3296-45	1	Nut-Lock, NI
2	112-8716-01	1	Support-Handle
3	112-8720	1	Decal-Brake
4	3296-29	2	Nut-Lock, NI
5	82-4570	1	Plate-Switch
6	3250-17	2	Screw-PPH
7	95-1653	1	Switch-Pole, Single
8	1-808285	2	Pin-Clevis
9	106-0671-01	1	Handle-Brake
10	257-7	1	Bearing-Thrust
11	325-17	1	Screw-HH
12	1-633131	2	Yoke-Linkage, Brake
13	1-303020	1	Grip-Lever
14	3290-307	2	Pin-Hair
15	322-5	2	Screw-HH
16	108-2747	1	Rod-Brake
17	3220-3	1	Nut-HJ
18	323-6	3	Screw-HH
19	3296-39	3	Nut-Lock, NI
20	110-4976-01	1	Parking Brake ASM
21	3290-357	2	Nut-HHF, Whiz
22	27-5240	1	Bolt-Shoulder
23	613386	1	Spring-Brake
24	56-6590	1	Bolt-Wheel

Ref	Part No.	Qty.	Description
25	3296-1	2	Nut-Lock
26	112-9972	1	Washer-Conical, Spring

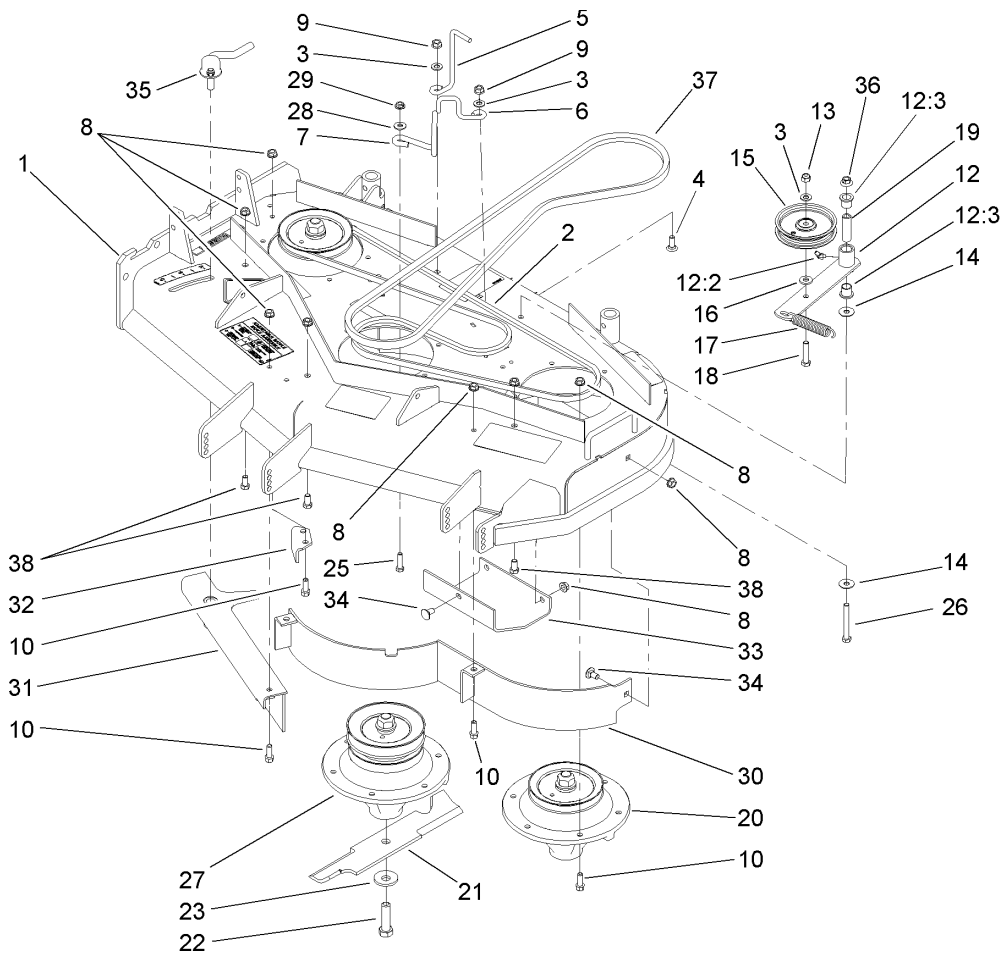




## Carrier Frame Assembly

Ref	Part No.	Qty.	Description
1	110-6965	1	Carrier Frame ASM
1:2	32148-9	2	Insert-Nut
1:3	94-1291	4	Bushing
1:4	302-5	2	Fitting-Grease
2	110-6985	1	Cover-Carrier Frame
3	110-6919	1	Decal
4	1-804254	3	Nut
5	106-6778	3	Bushing-Latch, Swell
6	99-3058	3	Washer
7	106-6777	3	Handle-Latch, Swell
8	110-6971-01	1	Shield-Belt
10	104-1105	4	Spacer-Support, Deck
11	1-513336	2	Bushing-Deck
12	323-6	2	Screw-HH
13	3256-24	2	Washer-Flat
14	32120-33	2	Ring-Retaining
15	1-323539	4	Spacer-Drive, Blade
16	106-0635	2	Decal-HOC
17	105-3159-01	2	Castor Fork ASM
18	32153-5	2	Nut-Lock, Side
19	110-5024	2	Wheel And Tire ASM
19:2	112-7066	1	Bearing-Roller
19:3	1-513810	2	Bushing
19:4	302-61	1	Zerk

Ref	Part No.	Qty.	Description
20	100-6453	2	Bushing-Spanner
21	325-19	2	Screw-HH
22	283-71	2	Pin-Lynch
23	3-6781	8	Washer-Thrust

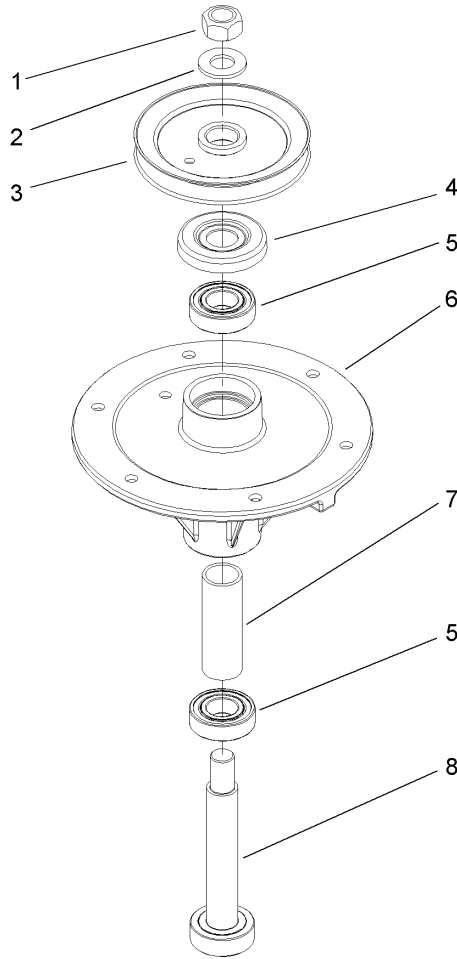


## Deck Drive and Baffle Assembly

Ref	Part No.	Qty.	Description
1	112-7081	1	Deck ASM
2	110-6972	1	Belt-V
3	3256-24	3	Washer-Flat
4	3231-22	2	Screw-CARR
5	98-5980	1	Guide-Belt
6	110-6975	1	Guide-Belt
7	105-0850	1	Guide-Belt
8	3290-357	29	Nut-HHF, Whiz
9	32128-21	2	Nut-HF
10	92-1624	22	Screw
12	108-2728	1	Idler Arm ASM
12:2	302-11	1	Fitting-Lube, 45 DEG
12:3	256-90	2	Bushing-Flange
13	3296-39	1	Nut-Lock, NI
14	52-2860	2	Washer
15	93-1622	1	Pulley-Idler
16	9202414	1	Washer-Spacer
17	51-3650	1	Spring-Extension
18	323-9	1	Screw-HH
19	112-7091	1	Spacer
20	110-0728	2	Spindle ASM
21	108-4081-03	3	Blade-Rotary, 14 Inch High Sail
22	51-4060	3	Screw-Blade
23	103-0865	3	Washer-Blade Bolt, Heavy

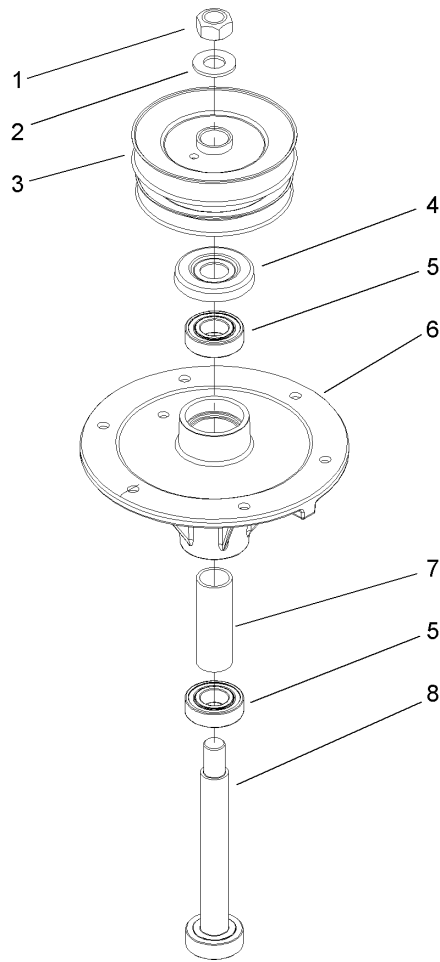
Ref	Part No.	Qty.	Description
25	322-6	1	Screw-HH
26	323-14	1	Screw-HH
27	110-6927	1	Spindle ASM
28	3256-3	1	Washer-Flat
29	32128-13	1	Nut-HF
30	110-6910-03	1	Baffle ASM
31	110-6940-03	1	Adjust Baffle ASM
32	108-7273-01	1	Baffle-Discharge
33	108-7282-01	1	Plate-Skid
34	3231-1	4	Screw-CARR
35	107-1664	1	Lever ASM
36	32128-19	1	Nut-HF
37	110-6973	1	Belt-V
38	323-4	3	Screw-HH





### Spindle Assembly No. 110-0728

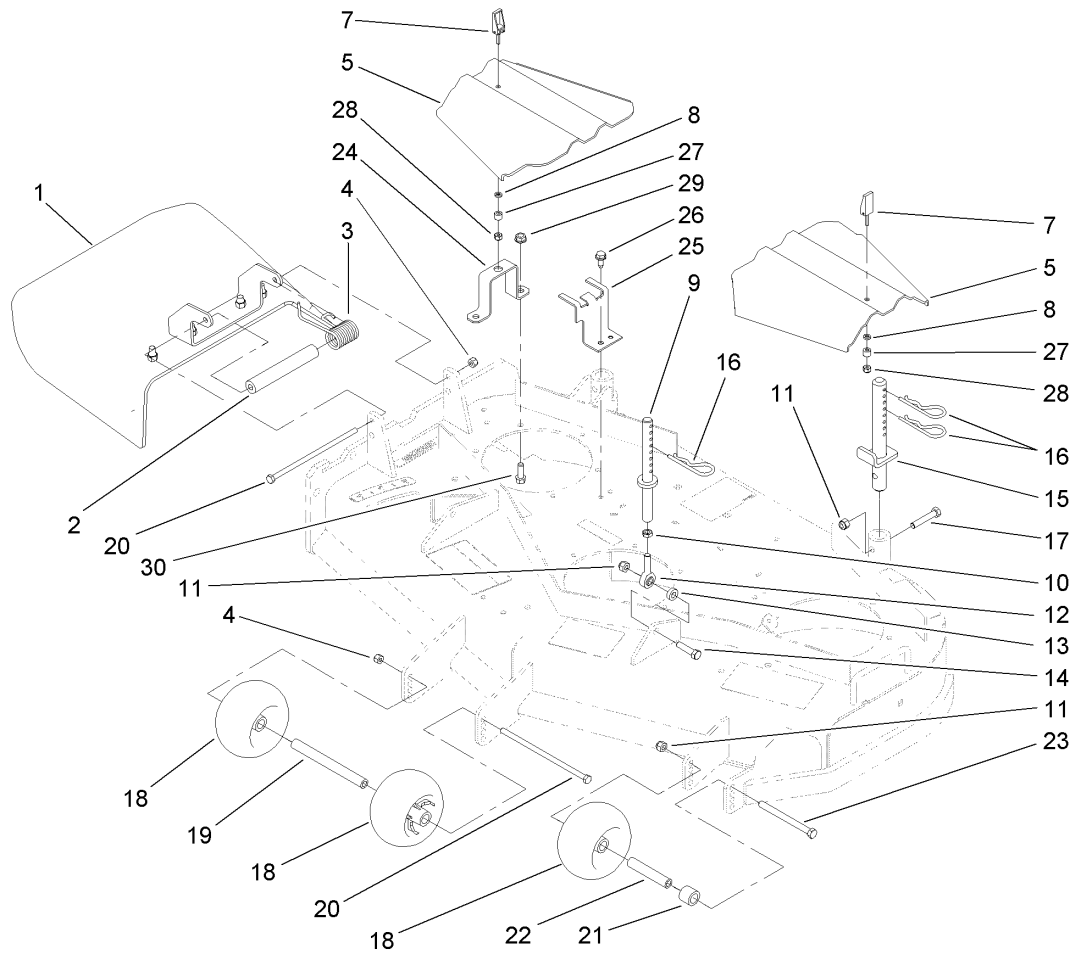
Ref	Part No.	Qty.	Description				
1	3219-7	1	Nut-Hex				
2	7-4150	1	Washer				
3	104-1181	1	Pulley ASM				
4	106-0873	1	Shield-Bearing				
5	104-6325	2	Bearing				
6	108-6696	1	Housing-Spindle				
7	110-0727	1	Spacer-Bearing				
8	110-0726	1	Shaft-Spindle				



### Spindle Assembly No. 110-6927

Ref	Part No.	Qty.	Description				
1	3219-7	1	Nut-Hex				
2	7-4150	1	Washer				
3	110-6928	1	Pulley And Hub ASM				
4	106-0873	1	Shield-Bearing				
5	104-6325	2	Bearing				
6	108-6696	1	Housing-Spindle				
7	110-0727	1	Spacer-Bearing				
8	110-0725	1	Shaft-Spindle				

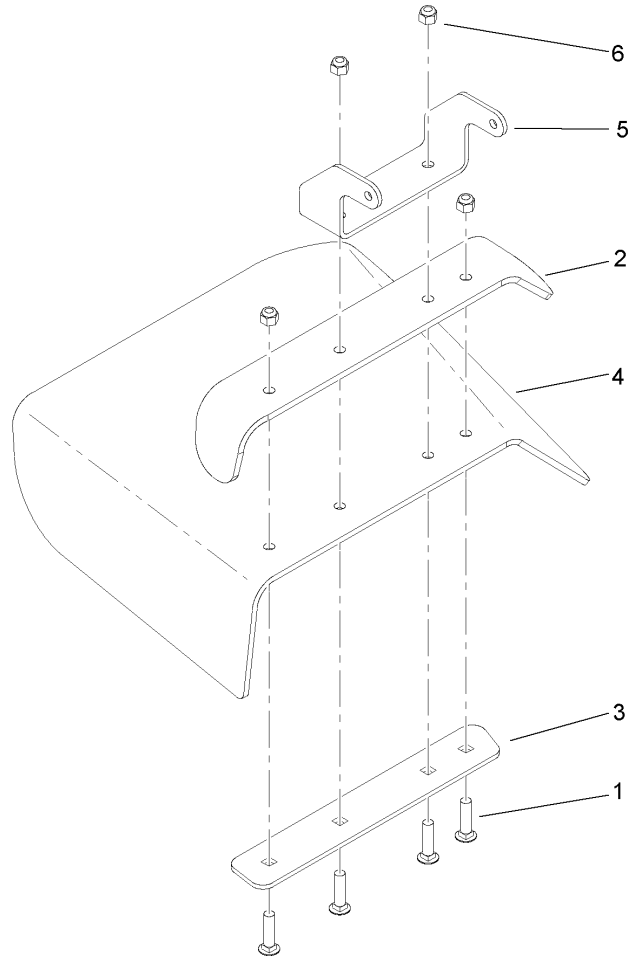




## Deck Assembly

Ref	Part No.	Qty.	Description
1	110-0790	1	Deflector ASM
2	105-4622	1	Spacer
3	104-8554	1	Spring-Torsion
4	3296-29	2	Nut-Lock, NI
5	110-6984	2	Cover-Belt
7	106-6777	2	Handle-Latch, Swell
8	99-3058	2	Washer
9	108-2674	2	Front Pin ASM
10	3220-3	2	Nut-HJ
11	3296-39	5	Nut-Lock, NI
12	1-613204	2	Balljoint
13	104-1156	2	Spacer
14	323-8	2	Screw-HH
15	110-2086	2	Rear Pin ASM
16	3290-256	6	Pin-Hair
17	323-10	2	Screw-HH
18	1-603299	3	Roller-Scalp, Anti
19	98-5967	1	Spacer-Wheel
20	322-50	2	Screw-HH
21	98-7913	1	Tube-Spacer
22	98-7912	1	Tube-Spanner
23	323-23	1	Screw-HH
24	112-7053-01	2	Bracket-Cover
25	112-7054-01	2	Bracket-Cover

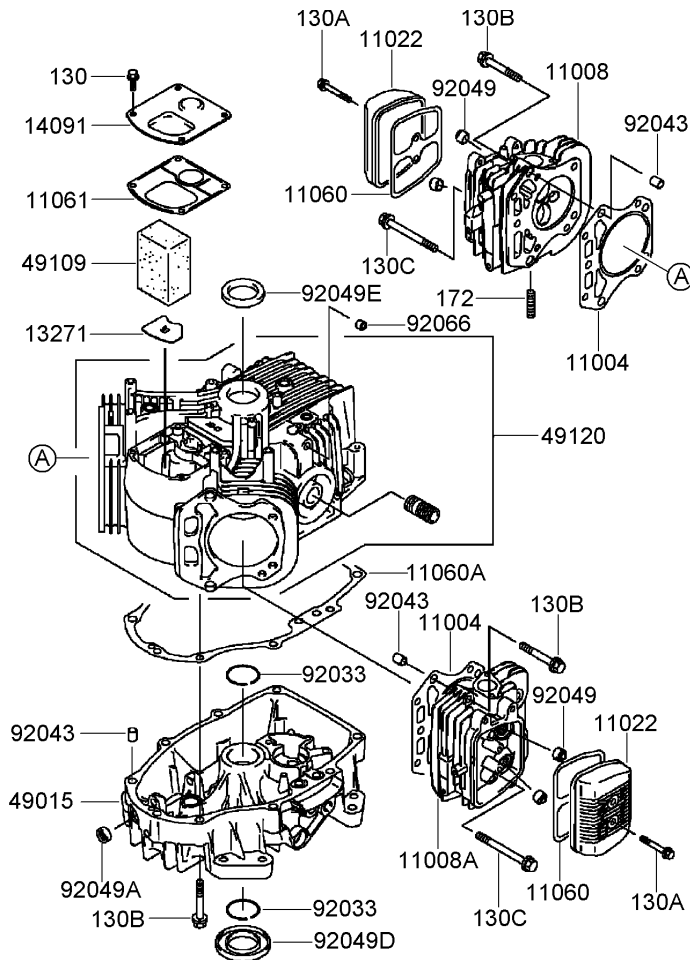
Ref	Part No.	Qty.	Description
26	32144-70	2	Screw-HWHTF
27	106-6778	2	Bushing-Latch, Swell
28	1-804254	2	Nut
29	3290-357	4	Nut-HHF, Whiz
30	92-1624	4	Screw



### Deflector Assembly No. 110-0790

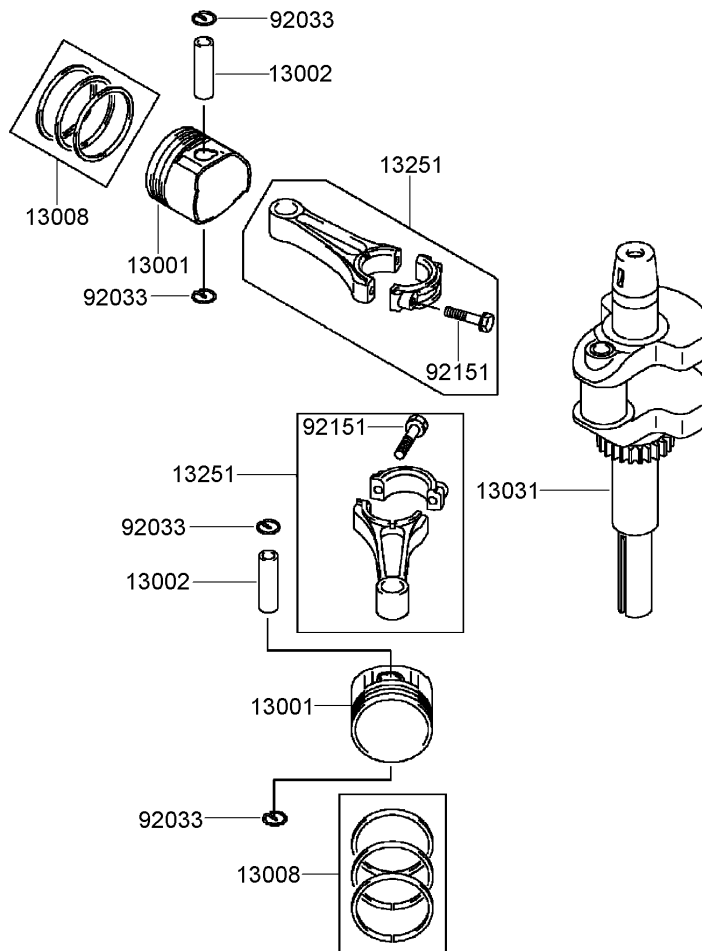
Ref	Part No.	Qty.	Description
1	3231-4	4	Screw-CARR
2	110-0792-01	1	Deflector
3	110-0793-03	1	Strap-Discharge
4	110-0791	1	Deflector-Rubber
5	107-4164-01	1	Bracket-Mounting, Deflector
6	3296-39	4	Nut-Lock, NI

--	--	--	--



## Cylinder and Crankcase Assembly Kawasaki FH541V-AS24

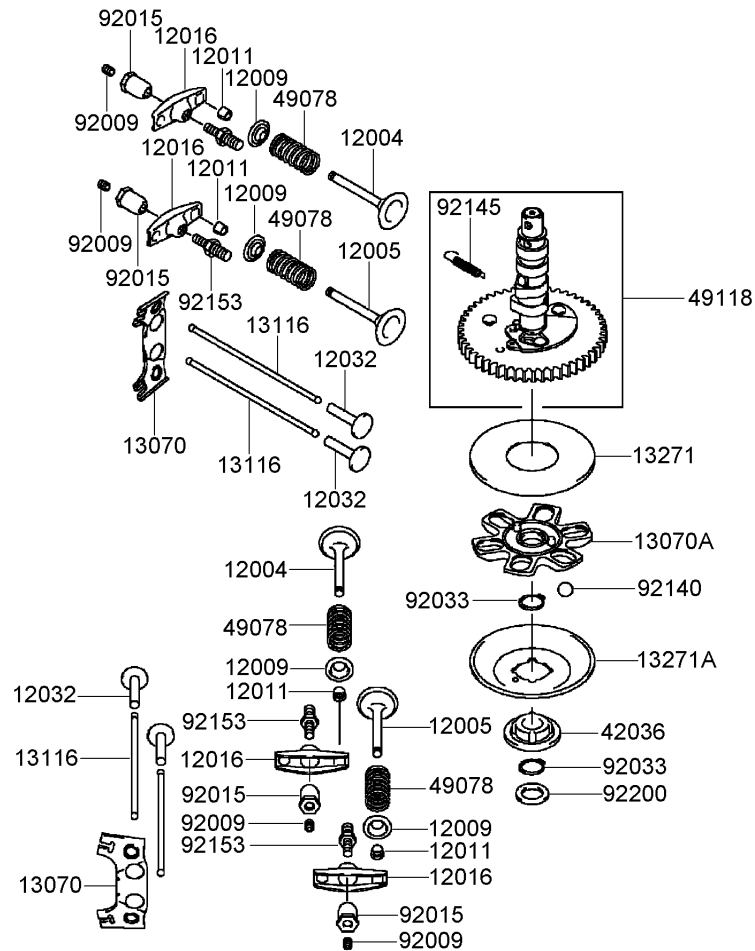
Ref	Part No.	Qty.	Description
⑤ 11004	11004-7010	2	Gasket-Head
⑤ 11008	11008-6042	1	Head-Cylinder
⑤ 11008A	11008-7009	1	Head-Cylinder
⑤ 11022	11022-7003	2	Case-Rocker
⑤ 11060	11060-7001	2	Gasket-Case, Rocker
⑤ 11060A	11060-7008	1	Gasket-Cover, Crankcase
⑤ 11061	11061-7001	1	Gasket-Breather
⑤ 13271	13271-7016	1	Plate
⑤ 14091	14091-7006	1	Cover
⑤ 49015	49015-6253	1	Cover-Crankcase
⑤ 49109	49109-7002	1	Element-Breather
⑤ 49120	49120-7023	1	Crankcase
⑤ 92033	92033-7003	2	Ring-Snap
⑤ 92043	92043-7001	6	Pin
⑤ 92049	92049-7001	4	Seal-Oil, R V C2 (6X11X10.2)
⑤ 92049A	92049-7005	1	Seal-Oil, S O (8X14X5 Hs)
⑤ 92049D	92049-7015	1	Seal-Oil, S D (35X62X8 L HSH)
⑤ 92049E	92049-7016	1	Seal-Oil, S D (35X48X8 R HSH)
⑤ 92066	92066-7002	1	Plug
⑤ 130	130B0612	4	Bolt-Flanged (6X12)
⑤ 130A	130B0640	4	Bolt-Flanged (6X40)
⑤ 130B	130T0850	17	Bolt-Flanged (8X50)
⑤ 130C	130T0875	2	Bolt-Flanged (8X75)
⑤ 172	172G0818	4	Bolt-Stud (8X18)

## Piston and Crankshaft Assembly Kawasaki FH541V-AS24

Ref	Part No.	Qty.	Description
① 13001	13001-7010	2	Piston-Engine
① 13002	13002-7001	2	Pin-Piston
① 13008	13008-6060	2	Ring Set-Piston
① 13031	13031-7036	1	Crankshaft
① 13251	13251-7010	2	Connecting Rod ASM
① 92033	92033-7005	4	Ring-Snap
① 92151	92151-7017	4	Bolt (6X35)

--	--	--	--

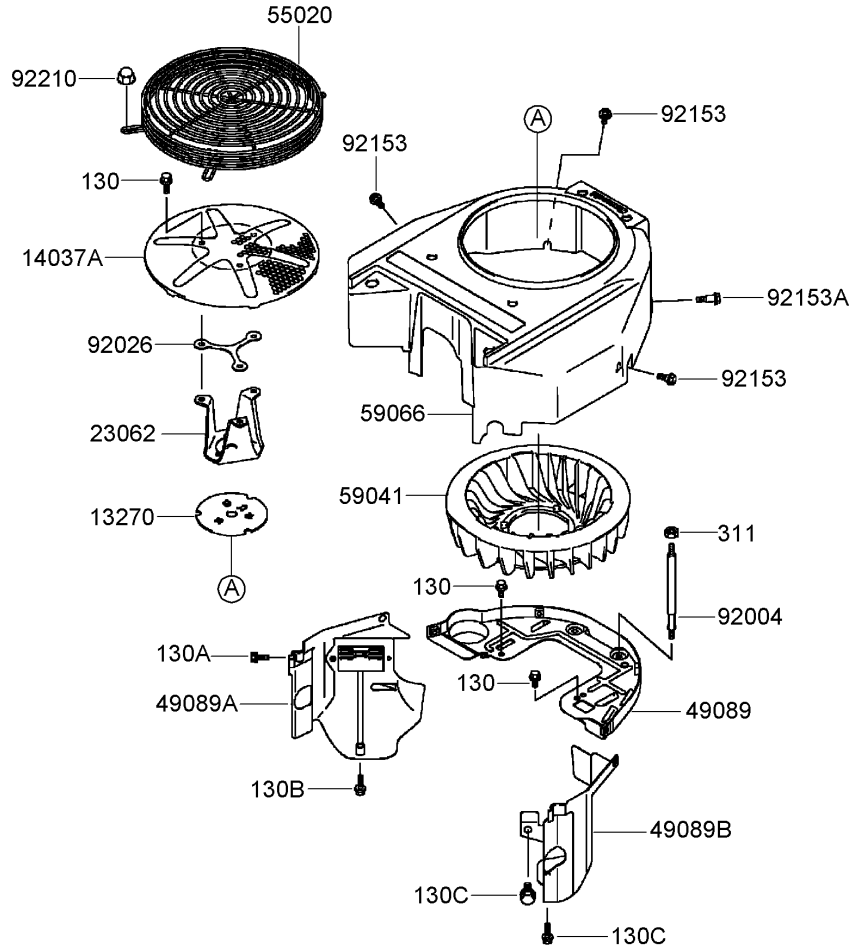


## Valve and Camshaft Assembly Kawasaki FH541V-AS24

Ref	Part No.	Qty.	Description
③12004	12004-7003	2	Valve-Intake
③12005	12005-7003	2	Valve-Exhaust
③12009	12009-7001	4	Retainer-Spring, Valve
③12011	12011-2056	8	Collet
③12016	12016-7001	4	Arm-Rocker
③12032	12032-7001	4	Tappet
③13070	13070-7001	2	Guide
③13070A	13070-7004	1	Guide
③13116	13116-2057	4	Rod-Push
③13271	13271-7007	1	Plate
③13271A	13271-7021	1	Plate-Governor
③42036	42036-7009	1	Sleeve
③49078	49078-7001	4	Spring-Valve, Engine
③49118	49118-7004	1	Camshaft
③92009	92009-2341	4	Screw
③92015	92015-2253	4	Nut
③92033	92033-7001	2	Ring-Snap
③92140	92140-7002	6	Ball
③92145	92145-7001	1	Spring
③92153	92153-7019	4	Bolt
③92200	92200-7001	1	Washer

--	--	--	--



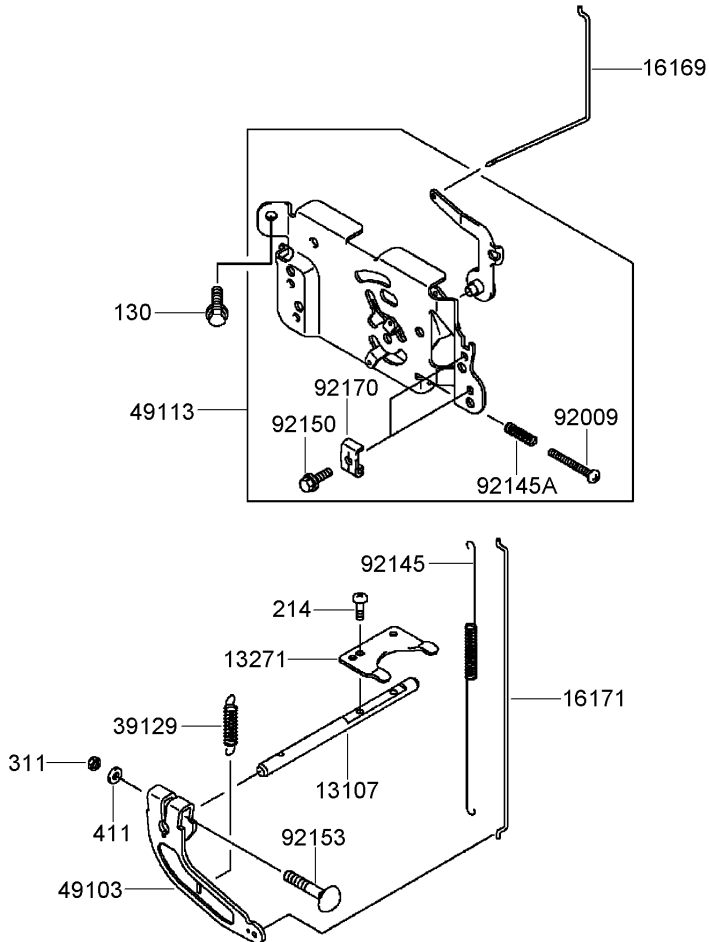


## Cooling Equipment Assembly Kawasaki FH541V-AS24

Ref	Part No.	Qty.	Description
⑤ 13270	13270-7007	1	Plate
⑤ 14037A	14037-7020-9H	1	Screen
⑤ 23062	23062-7010	1	Bracket
⑤ 49089	49089-7032	1	Shroud-Engine
⑤ 49089A	49089-7042	1	Shroud-Engine
⑤ 49089B	49089-7043	1	Shroud-Engine
⑤ 55020	55020-7004	1	Guard
⑤ 59041	59041-7010	1	Fan
⑤ 59066	59066-7017	1	Housing-Fan
⑤ 92004	92004-7006	2	Stud
⑤ 92026	92026-7007	1	Spacer
⑤ 92153	92153-7007	3	Bolt
⑤ 92153A	92153-7008	1	Bolt
⑤ 92210	92210-0003	4	Nut
⑤ 130	130B0612	5	Bolt-Flanged (6X12)
⑤ 130A	130B0616	2	Bolt-Flanged (6X16)
⑤ 130B	130B0625	2	Bolt-Flanged (6X25)
⑤ 130C	130B0816	1	Bolt-Flanged (8X16)
⑤ 311	311B0600	2	Nut-Hex (6Mm)

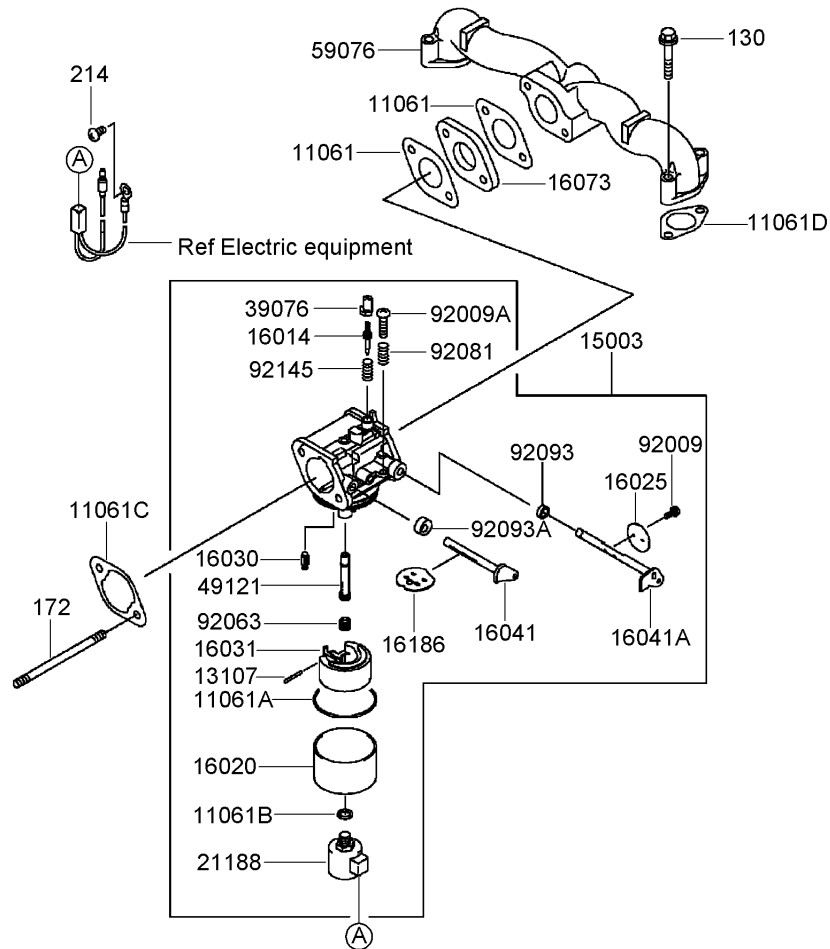
--	--	--	--





## Control Equipment Assembly Kawasaki FH541V-AS24

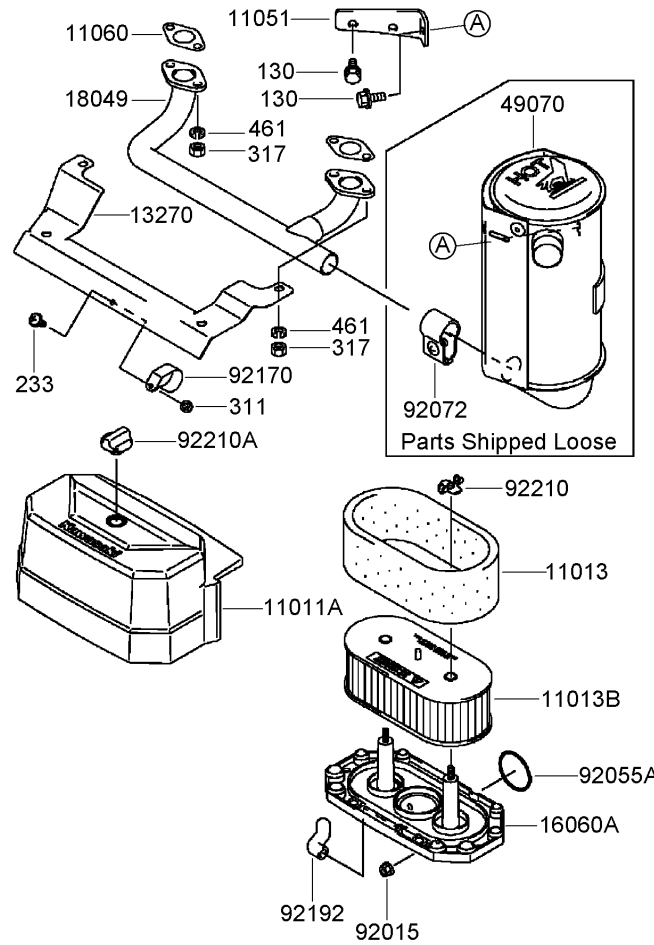
Ref	Part No.	Qty.	Description
①13107	13107-7010	1	Shaft
①13271	13271-7018	1	Plate
①16169	16169-7010	1	Link-Choke
①16171	16171-7001	1	Link
①39129	39129-7003	1	Spring-Governor
①49103	49103-7004	1	Arm-Governor
①49113	49113-7024	1	Panel-Control
①92009	92009-7007	1	Screw (4X35)
①92145	92145-7003	1	Spring
①92145A	92145-7005	1	Spring
①92150	92150-2182	2	Bolt (5X18)
①92153	92153-7005	1	Bolt (6X35)
①92170	92170-7001	2	Clamp
①130	130B0612	2	Bolt-Flanged (6X12)
①214	214B0408	2	Screw-Pan (4X8)
①311	311B0600	1	Nut-Hex (6Mm)
①411	411B0600	1	Washer-Plain (6Mm)



## Carburetor Assembly Kawasaki FH541V-AS24

Ref	Part No.	Qty.	Description
● 11061	11061-7004	2	Gasket-Insulator
● 11061A	11061-7009	1	Gasket-Chamber
● 11061B	11061-7010	1	Gasket-Screw
● 11061C	11061-7018	1	Gasket-Cleaner, Air
● 11061D	11061-7019	2	Gasket
● 13107	13107-7018	1	Shaft
● 15003	15003-7106	1	Carburetor ASM
● 16014	16014-7007	1	Screw-Air, Pilot
● 16020	16020-7003	1	Chamber-Float
● 16025	16025-7006	1	Valve-Throttle
● 16030	16030-7003	1	Valve-Float
● 16031	16031-7002	1	Float
● 16041	16041-7016	1	Shaft-Choke, Carburetor
● 16041A	16041-7018	1	Shaft-Throttle, Carburetor
● 16073	16073-7007	1	Insulator
● 16186	16186-7004	1	Choke Valve ASM
● 21188	21188-7002	1	Solenoid
● 39076	39076-7001	1	Limiter
● 49121	49121-7010	1	Nozzle-Main
● 59076	59076-7001	1	Manifold-Intake
● 92009	92009-2083	2	Screw
● 92009A	92009-2349	1	Screw
● 92063	92063-7065	1	Jet-Main, No. 112
● 92081	92081-2234	1	Spring

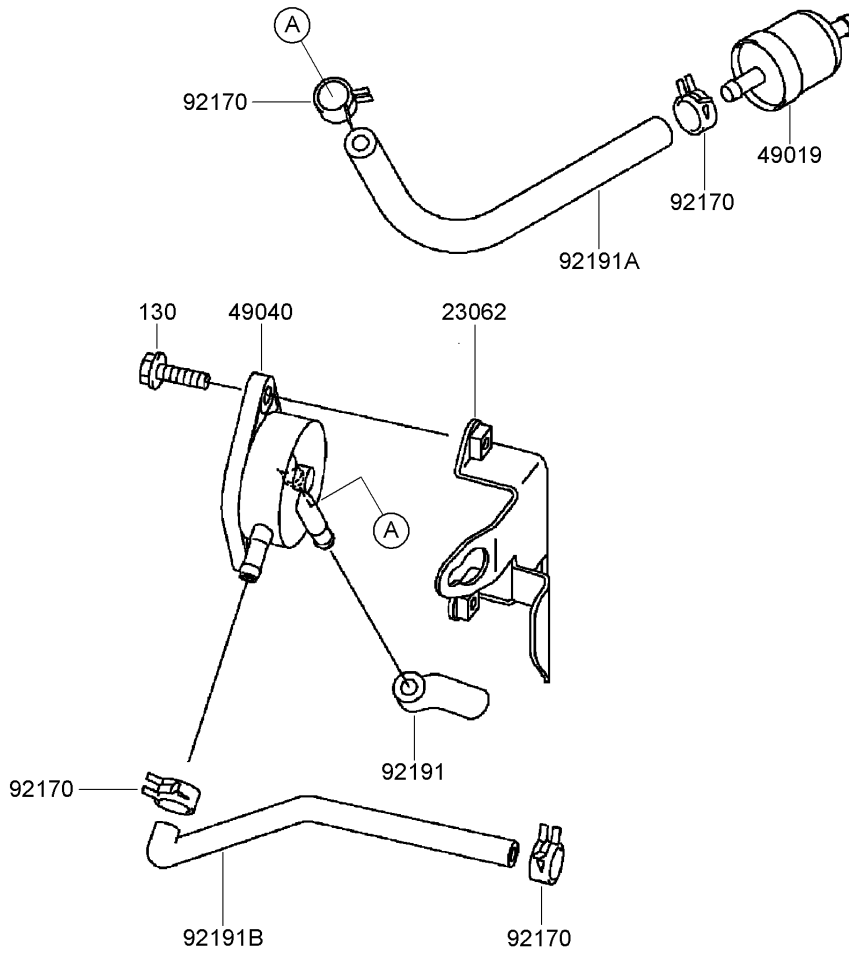
Ref	Part No.	Qty.	Description
● 92093	92093-2100	1	Seal
● 92093A	92093-7003	1	Seal
● 92145	92145-7015	1	Spring
● 130	130B0635	4	Bolt-Flanged (6X35)
● 172	172G0690	2	Bolt-Stud (6X90)
● 214	214B0510	1	Screw-Pan (5X10)



## Air Filter and Muffler Assembly Kawasaki FH541V-AS24

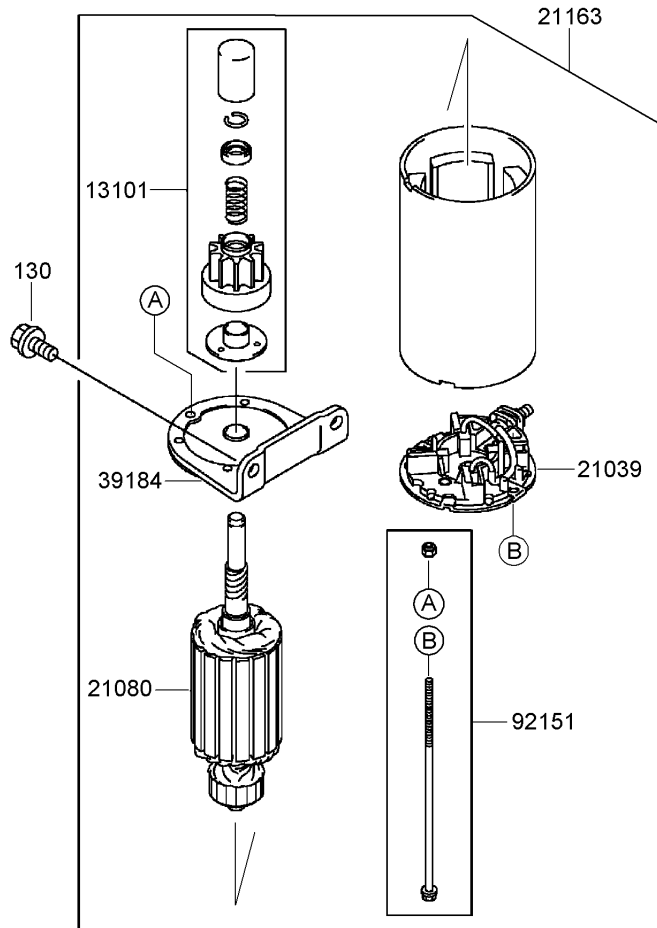
Ref	Part No.	Qty.	Description
① 11011A	11011-7033	1	Case-Air Filter
① 11013	11013-7025	1	Element-Filter, Air
① 11013B	11013-7031	1	Element-Filter, Air
① 11051	11051-7005-9H	1	Bracket
① 11060	11060-7021	2	Gasket-Muffler
① 13270	13270-7008	1	Plate
① 16060A	16060-7016	1	Pipe-Intake
① 18049	18049-7001	1	Pipe-Exhaust
① 49070	49070-7015	1	Muffler
① 92015	92015-1193	2	Nut
① 92055A	92055-7015	1	O-Ring
① 92072	92072-7008	1	Band
① 92170	92170-7002	1	Clamp
① 92192	92192-7010	1	Tube
① 92210	92210-7004	2	Nut
① 92210A	92210-7019	1	Nut
① 130	130B0816	2	Bolt-Flanged (8X16)
① 233	233B0416	1	Screw (4X16)
① 311	311B0400	1	Nut-Hex (4Mm)
① 317	317R0800	4	Nut-Hex (8Mm)
① 461	461F0800	4	Washer-Spring (8Mm)

--	--	--	--



## Fuel Tank and Valve Assembly Kawasaki FH541V-AS24

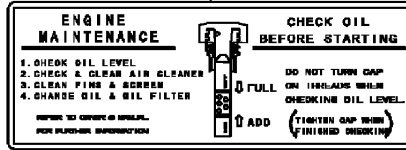
Ref	Part No.	Qty.	Description
② 23062	23062-7004-9H	1	Bracket
② 49019	49019-7001	1	Filter-Fuel
② 49040	49040-7001	1	Pump-Fuel
④ 92170	92170-2088	4	Clamp
② 92191	92191-7002	1	Tube
② 92191A	92191-7003	1	Tube (6.35X12.7X160)
② 92191B	92191-7004	1	Tube
② 130	130B0620	2	Bolt-Flanged (6X20)



## Starter Assembly Kawasaki FH541V-AS24

Ref	Part No.	Qty.	Description
● 13101	13101-7003	1	Gear ASM
● 21039	21039-7004	1	Brush
● 21080	21080-7001	1	Armature
● 21163	21163-7010	1	Starter-Electric
● 39184	39184-7004	1	Bracket ASM
● 92151	92151-7013	1	Bolt
● 130	130B0816	2	Bolt-Flanged (8X16)

56033



56070



56080



## Label Assembly Kawasaki FH541V-AS24

Ref	Part No.	Qty.	Description				
⑤56033	56033-7002	1	Label-Manual				
⑤56070	56070-7001	1	Label-Warning				
⑤56080	56080-7023	1	Label-Brand				

## Attachments and Accessories

For 30286 - Commercial Walk-Behind Mower, Floating Deck Pistol Grip Hydro with 40in TURBO FORCE Cutting Unit

Product Name	Model/Part
Blade-Rotary, 14 Inch Recycling .....	108-4089-03
Blade-Rotary, 14 Inch Mid Flow .....	108-4110-03
Blade-Rotary, 14 Inch Low Flow .....	108-4111-03
Blade-Rotary, 14 Inch Atomic .....	108-4112-03
40 Inch Bagger Enhancement Kit .....	110-2025
40 Inch Recycler Kit .....	110-2070
Plate Kit .....	110-6902
Weight-Cast .....	112-7059-01
Soft Bag (3 Bushel) .....	30104
Tru Trak Sulky .....	30110

# NOTES

# NOTES

