



Mower Deck Lift Assist Kit

For Z500 Series Z Master® with 7-Guage Mower Deck

Model No. 110-5761

Installation Instructions

Installation

Note: Determine the left and right sides of the machine from the normal operating position.

Step

1

Removing the Existing Lift Shaft

No Parts Required

Procedure

1. Disengage the PTO and set the parking brake.
2. Stop the engine, remove the key, and wait for all moving parts to stop before leaving the operating position.
3. Raise the mower deck to the transport position, the highest position.
4. Place blocks under the edge of the mower deck to release tension on the lift chains when the mower deck is lowered.
5. Lower the mower deck onto the blocks to release tension on the lift chains.
6. Remove the nut and bolt securing the mower lift chain to the right front lift shaft (Figure 1). Retain the nut and bolt.
7. Remove the E-ring and the washer securing the front of the lift spring assembly to the lift shaft and remove the lift spring assembly from the lift shaft (Figure 1). Retain the E-ring and washer.
8. Remove the E-ring and washer securing the lift shaft to the frame and remove the lift shaft. Retain the E-ring and washer.

Step

2

Installing the Lift Assist Lever

Parts needed for this step:

1	Lift assist lever
1	Washer
1	Snap ring

Procedure

1. Slide the new lift assist lever into the frame (Figure 1).
2. Secure the lift assist lever with the new washer and snap ring (Figure 1).
3. Install the front of the lift spring assembly to the lift assist lever with the E-ring and the washer (Figure 1).
4. Secure the lift chain to the lift assist lever with the nut and bolt previously removed (Figure 1).
5. Grease the lift assist lever under the frame.
6. Raise the mower deck off the blocks.
7. Check and ensure all four mower deck lift chains have tension. If not, loosen the nuts on each side of the swivel and shorten or lengthen the lift spring assemblies as required.

If further adjustment is required, refer the mower deck leveling section of the **Operator's Manual**.

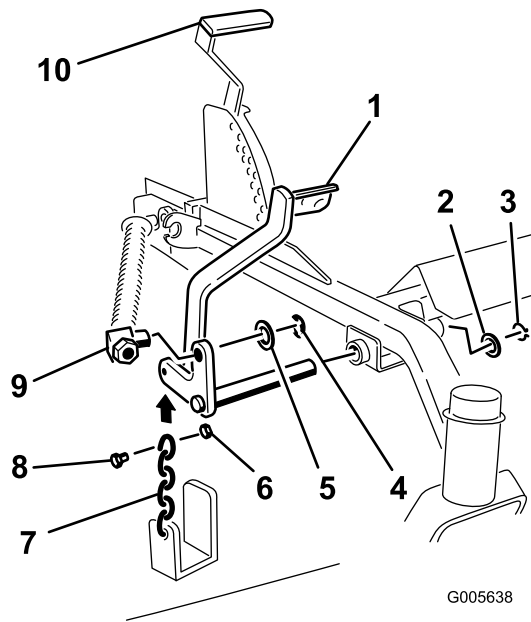


Figure 1

- | | |
|----------------------|--------------------------|
| 1. Lift assist lever | 6. Nut |
| 2. Washer | 7. Mower lift chain |
| 3. Snap ring | 8. Bolt |
| 4. E-ring | 9. Lift spring assembly |
| 5. Washer | 10. Height-of-cut handle |

Operation

Using the Lift Assist Lever

The lift assist lever is used along with the height-of-cut lever for raising the mower deck. This allows for easier raising of the mower deck.

1. Place your foot onto the lift assist lever.
2. Press on the lift assist lever while pulling up on the height-of-cut lever.