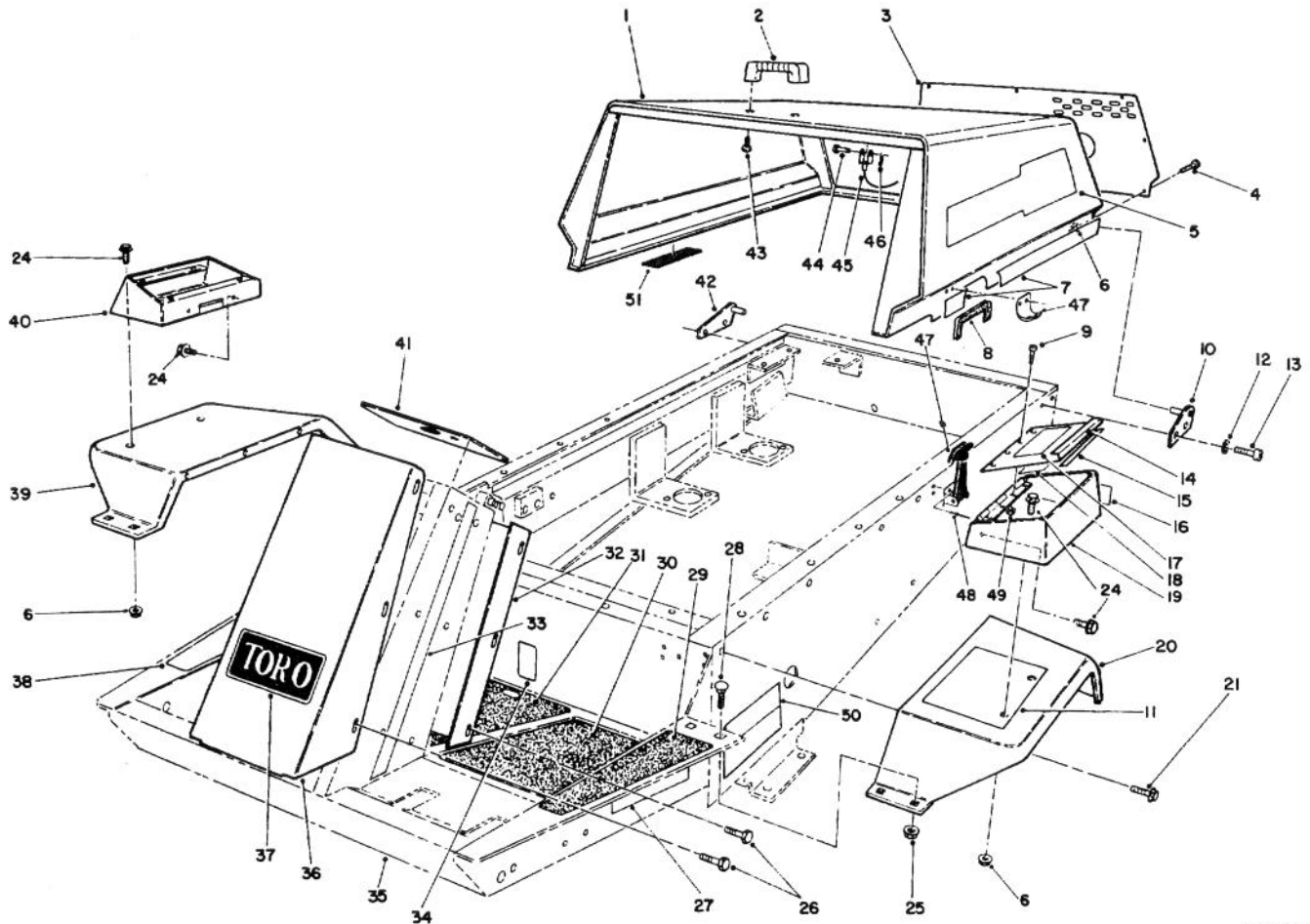




MODEL NO. 30223-20001 & UP

PARTS
CATALOGGROUNDMASTER® 223-D
TRACTION UNIT & ACCESSORIES

T-0524A

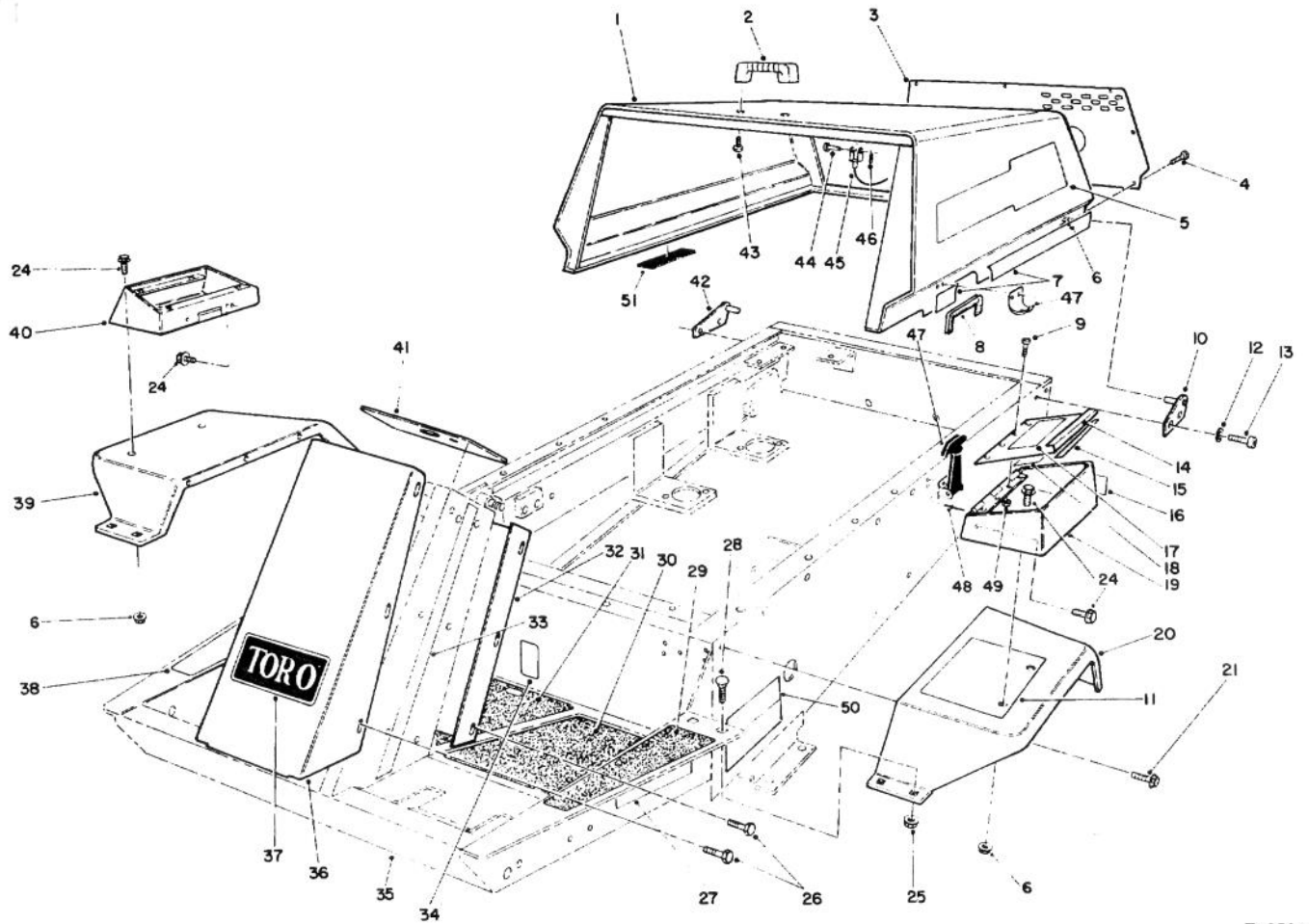
BODY ASSEMBLY

Ref. No.	Part No.	Description	No. Used
1	84-7740	Assembly - Hood	1
2	65-5100	Handle - Hood	1
3	63-7030	Screen - Hood	1
4	321-39	Screw - Cap Hex. Hd.	7
5	84-1950	Decal - GM 223-D	2
6	32128-4	Nut - Flange	11
7	66-8680	Decal - Hood L.H.	1
*	66-8670	Decal - Hood R.H.	1
8	66-8110	Trim - Hood	1
9	3290-359	Screw - Machine	4
10	63-6900	Plate Hinge L.H.	1
11	76-4790	Pad - Rubber	1
12	3255-8	Washer - Lock	4
13	3274-32	Screw - Hex. Hd. Socket	4
14	66-3040	Cover - Tool Box	1
15	66-3050	Strip - Magnetic	1
16	27-7310	Decal (Over Fill caution)	1

*Not Illustrated

Ref. No.	Part No.	Description	No. Used
17	66-8880	Decal - Caution	1
18	84-1960	Decal - Service	1
19	66-2830	Box - Tool	1
20	63-7310	Fender L.H.	1
21	3234-14	Screw - Flange Hd.	8
22	3234-13	Screw - Flange Hd.	8
23	32128-20	Nut - Flange	4
24	46-6810	Screw - Cap Hex. Hd.	14
25	67-1720	Decal - Caution	2
26	3230-23	Bolt - Carriage	4
27	66-3200	Tread - Foot Rest L.H.	1
28	66-3210	Tread - Foot L.H.	1
29	66-3220	Tread - Foot R.H.	1
30	63-7320	Cover - Tower Rear	1
31	66-8760	Decal - Tower L.H.	1
*	66-8770	Decal - Tower R.H.	1
32	53-4430	Decal - Oil	1

TPS

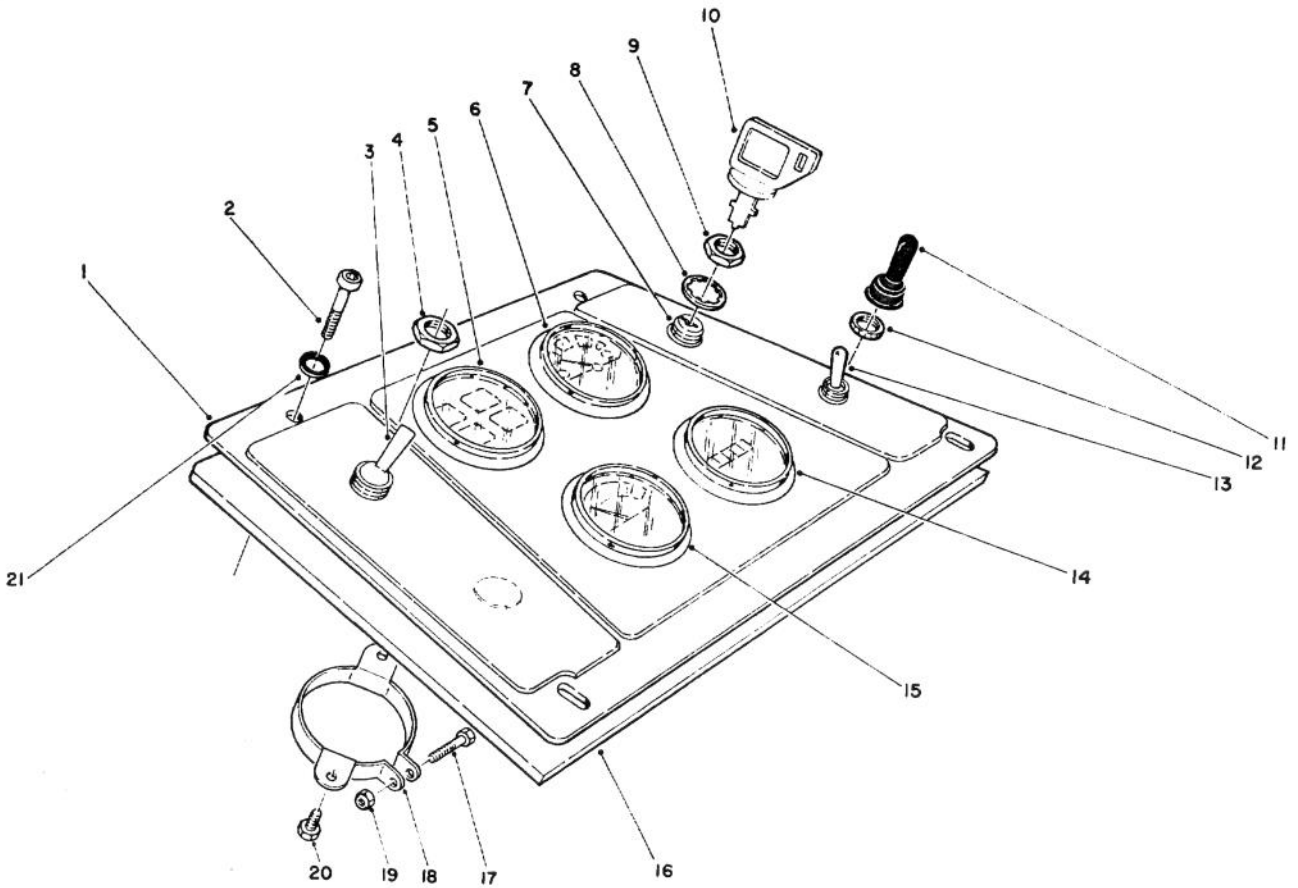


T-0524A

BODY ASSEMBLY (Continued)

Ref. No.	Part No.	Description	No. Used
35	84-7700	Assembly - Frame	1
36	63-7330	Cover - Tower Front	1
37	62-5550	Decal - TORO	1
38	66-8890	Decal Traction Pedal	1
39	63-7300	Fender - R.H.	1
40	63-8050	Box - Control	1
41	66-2470	Plate - Tower	1
42	63-6890	Plate - Hinge R.H.	1
43	46-8091	Screw - Cap Hex. Hd.	2

Ref. No.	Part No.	Description	No. Used
44	283-58	Pin - Clevis	1
45	66-2870	Cable - Hood Stop	1
46	3272-10	Pin - Cotter	1
47	59-9740	Assy. - Latch, Flex. Draw	1
48	3290-271	Rivet	4
49	3296-12	Nut - Hex.	4
50	75-0810	Decal - Caution	2
51	82-8950	Foam	2

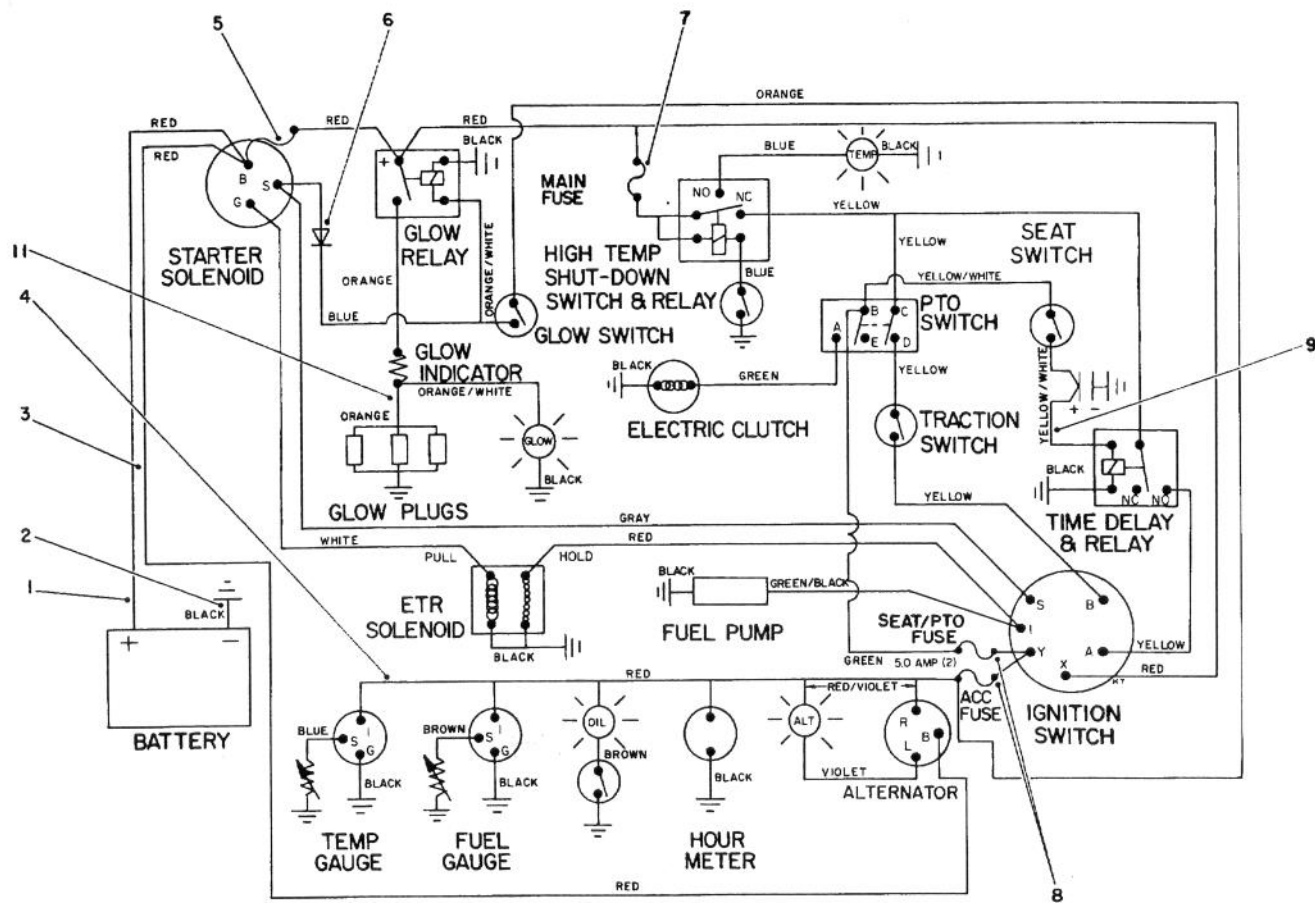


T-0525

CONTROL PANEL ASSEMBLY

Ref. No.	Part No.	Description	No. Used
1	66-2460	Panel - Control	1
2	3274-68	Screw - Socket Button Hd.	4
3	85-4980	Switch - PTO (Incl. Ref. #4)	1
4	218-576	Nut - Hex.	1
5	66-2960	Cluster - Warning Light	1
6	66-2940	Gage - Fuel	1
7	27-2360	Switch - Ignition (Incl. Ref. #8-10)	1
8	218-447	Washer - Lock	1
9	218-446	Nut - Hex.	1
10	63-8360	Key - Ignition	1

Ref. No.	Part No.	Description	No. Used
11	218-473	Boot - Switch	1
12	218-497	Nut - Face	1
13	6-1659	Switch - Glow Plugs (Incl. Ref. #11 & 12)	1
14	66-2950	Meter - Hour	1
15	63-7430	Gage - Temperature	1
16	85-7560	Plate - Control Panel	1
17	32105-1	Screw	1
18	69-4780	Clamp - Gauge	1
19	3296-2	Nut - Lock	1
20	32144-1	Screw - Hex. Hd.	2
21	3256-1	Washer - Flat	4

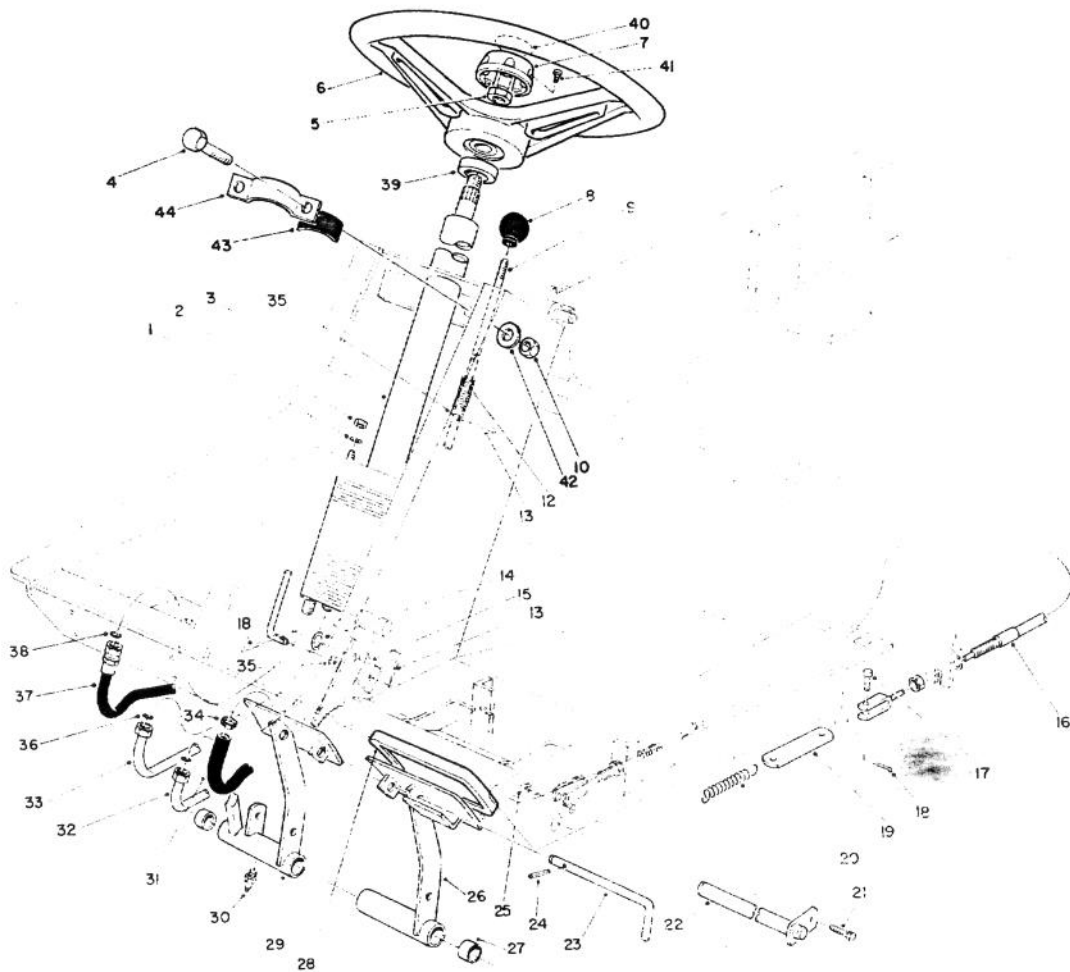


T-0526

ELECTRICAL SCHEMATIC

Ref. No.	Part No.	Description	No. Used
1	43-4031	Wire - Positive	1
2	63-7340	Wire - Ground	1
3	85-7540	Wire Harness (Incl. Ref. #5 & 6)	1
4	66-8690	Lamp Harness (Incl. Ref. #10)	1
5	67-7120	Fusible Link	1

Ref. No.	Part No.	Description	No. Used
6	67-7130	Diode	1
7	218-574	Fuse 7.5A	1
8	218-573	Fuse 5.0A	2
9	67-7180	Wire - Seat	1
10	219-17	Bulb - Light	4
11	68-7370	Wire - Glow	1
12	68-7380	Assembly - Connector	1

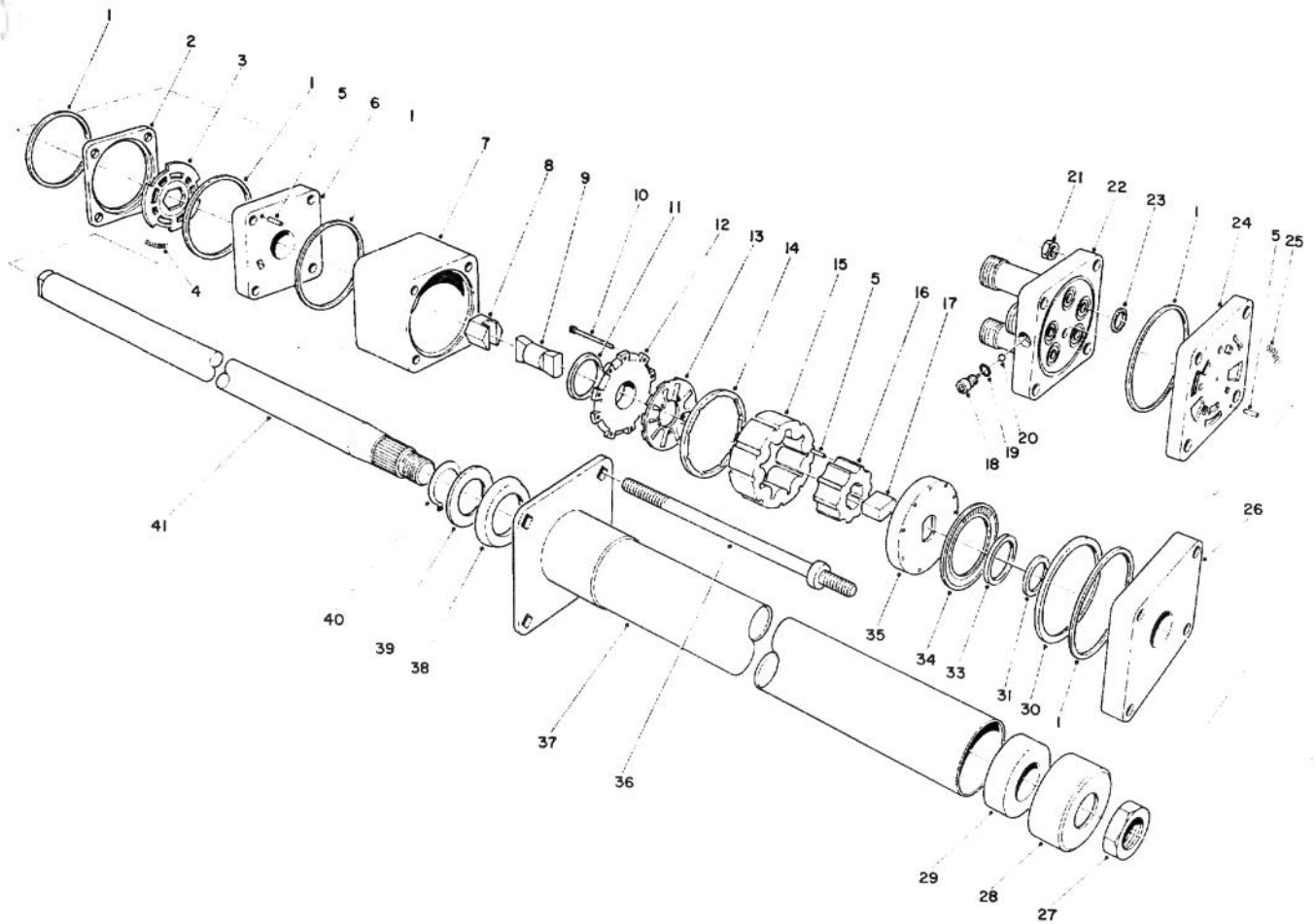


T-1247

POWER STEERING & BRAKE PEDAL ASSEMBLY

Ref. No.	Part No.	Description	No. Used	Ref. No.	Part No.	Description	No. Used
1	3256-23	Washer - Flat	4	23	63-7880	Pin - Brake Latch	1
2	3296-20	Nut - Lock	4	24	32121-50	Pin - Roll	1
3	63-9250	Valve - Power Steering (Incl. Ref. #7)	1	25	3296-42	Nut - Lock	1
4	322-5	Screw - Cap Hex. Hd.	2	26	63-6180	Pedal - L.H. Brake (Incl. Ref. #27 & 30)	1
5	3220-6	Nut - Hex.	1	27	256-42	Bushing	4
6	75-0560	Wheel - Steering (Incl. Ref. #7 & 41)	1	28	7-3900	Foot Pad - Brake	2
7	68-5140	Cap - Steering Wheel (Incl. Ref. #41)	1	29	63-6190	Pedal - R.H. Brake (Incl. Ref. #27 & 30)	1
8	233-17	Knob	1	30	302-5	Fitting - Grease	2
9	63-7910	Rod - Brake Latch	1	31	66-8140	Hose	1
10	3296-29	Nut - Lock	2	32	66-8630	Tube - Hydraulic (Str.-Lift)	1
12	3-3251	Spring	1	33	66-8620	Tube Hydraulic (Pump-Str.)	1
13	3272-5	Pin - Cotter	3	34	2412-36	Clamp	2
14	3256-26	Washer - Flat	1	35	3256-22	Washer - Flat	3
15	63-7900	Rack - Brake	1	36	237-30	O-Ring	2
16	63-7730	Assy. - Cable, Brake L.H.	1	37	66-8170	Hose - Hydraulic	2
*	63-7731	Assy. - Cable, Brake R.H.	1	*	44-8530	Sock - Hose	1
17	283-58	Pin - Clevis	4	38	237-22	O-Ring	2
18	3272-10	Pin - Cotter	5	39	21-9260	Cover - Dust	1
19	63-6750	Link - Brake Cable	2	40	68-5370	Decal - Toro	1
20	3-7243	Spring - Return	2	41	32144-21	Screw - Pan Hd. Phillips	1
21	321-3	Screw - Cap Hex. Hd.	1	42	3256-23	Washer - Flat	2
22	63-6210	Pin - Brake	1	43	84-7670	Foam - Column Support	2
				44	84-7660	Clamp - Column	1

*Not Illustrated



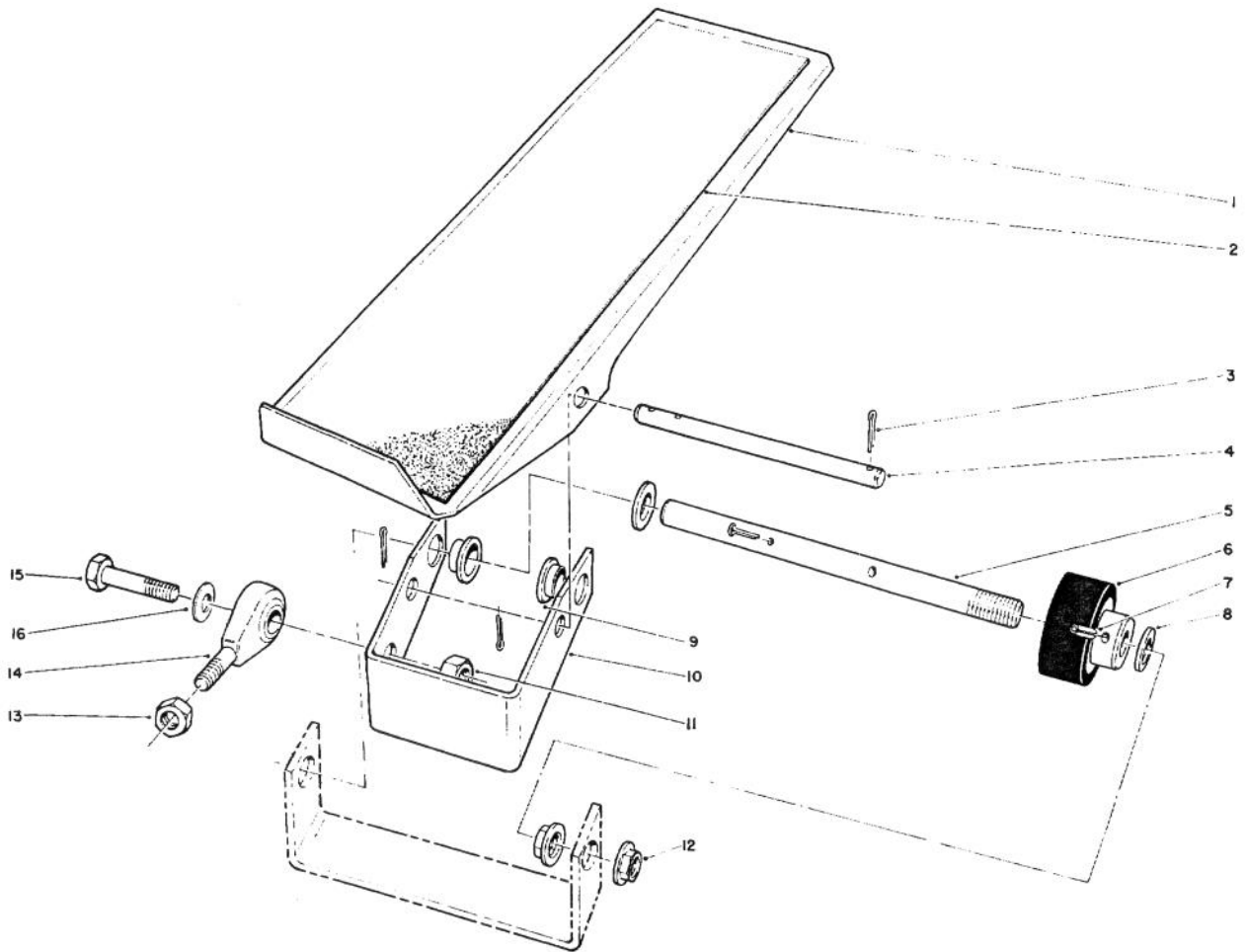
STEERING VALVE ASSEMBLY NO. 63-9250

T-0417

Ref. No.	Part No.	Description	No. Used
1		Ring - Seal	
2		Ring - Valve	
3		Plate - Valve	
4		Spring	3
5		Pin - Alignment	9
6		Manifold - Isolation	1
7		Ring - Metering	1
8		Assembly - Hex. Drive	1
9		Link - Drive	1
10		Screw - Hex. Socket Hd.	11
11		Seal - Commutator	1
12		Cover - Commutator	1
13		Commutator	1
14		Ring - Commutator	1
15		Stator	1
16		Rotor	1
17		Spacer - Drive Link	1
18		Plug	1
19		O-Ring	1
20		Ball	1
21		Nut - Hex.	4
22		Cover - Port	1
23		O-Ring	5
24		Manifold - Port	1

Ref. No.	Part No.	Description	No. Used
25		Spring	3
26		Plate - Upper Cover	1
27		Nut	1
28	3220-6	Seal	1
29	66-9770	Bushing	1
30		Spacer - Bearing, Thrust	1
31		Spacer- Seal	1
33		Seal - Face	1
34		Bearing - Thrust	1
35		Plate - Drive	1
36	66-9850	Bolt - Special	4
37	66-9860	Upper Cover & Jacket	1
38	66-9870	Plate - Retaining	1
39	66-9880	Washer - Retaining Plate	1
40	66-9890	Ring - Retaining	1
41	66-9900	Shaft - Input	1
*	66-9970	Kit - Spring (Incl. Ref. #4 & 25)	1
*	66-9980	Kit - Seal (Incl. Ref. #1, 11, 19, 23 & 33)	1
*	66-9990	Kit - Needle Roller (Incl. Ref. #5)	1

*Not Illustrated

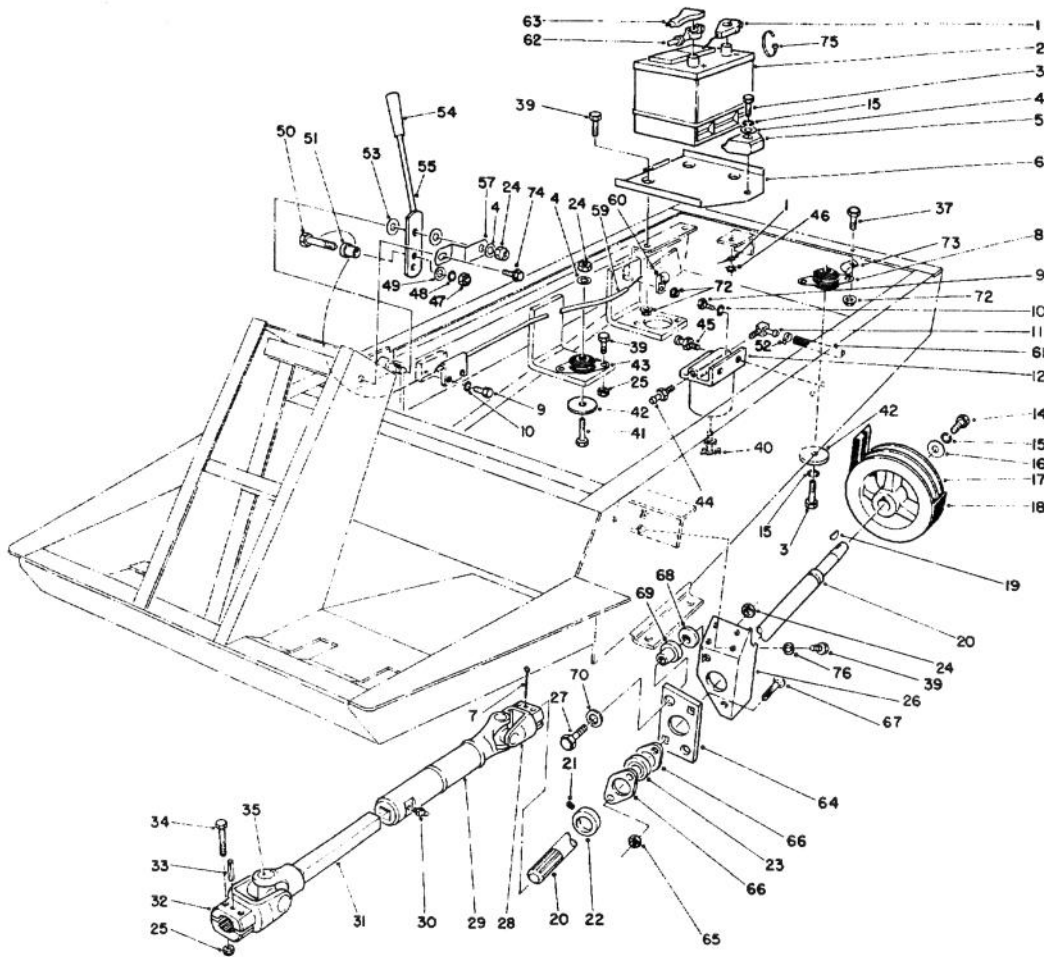


T-1248

TRACTION PEDAL ASSEMBLY

Ref. No.	Part No.	Description	No. Used
1	63-7930	Pedal - Traction	1
2	28-5130	Pad - Traction Pedal	1
3	3272-10	Pin - Cotter	4
4	29-5630	Pin - Pedal Pivot	1
5	63-6160	Shaft - Traction Pedal	1
6	28-5220	Wheel - Friction	1
7	32121-6	Pin - Roll	1
8	5-7570	Washer	2
9	256-156	Bushing - Flange	2

Ref. No.	Part No.	Description	No. Used
10	63-6170	Assembly - Pivot Bracket (Incl. Ref. #9)	1
11	3296-39	Nut - Lock	1
12	32128-49	Nut - Flange	2
13	3220-3	Nut - Jam	1
14	2411-36	End - Rod	1
15	323-29	Screw - Cap Hex. Hd.	1
16	3256-24	Washer - Flat	1

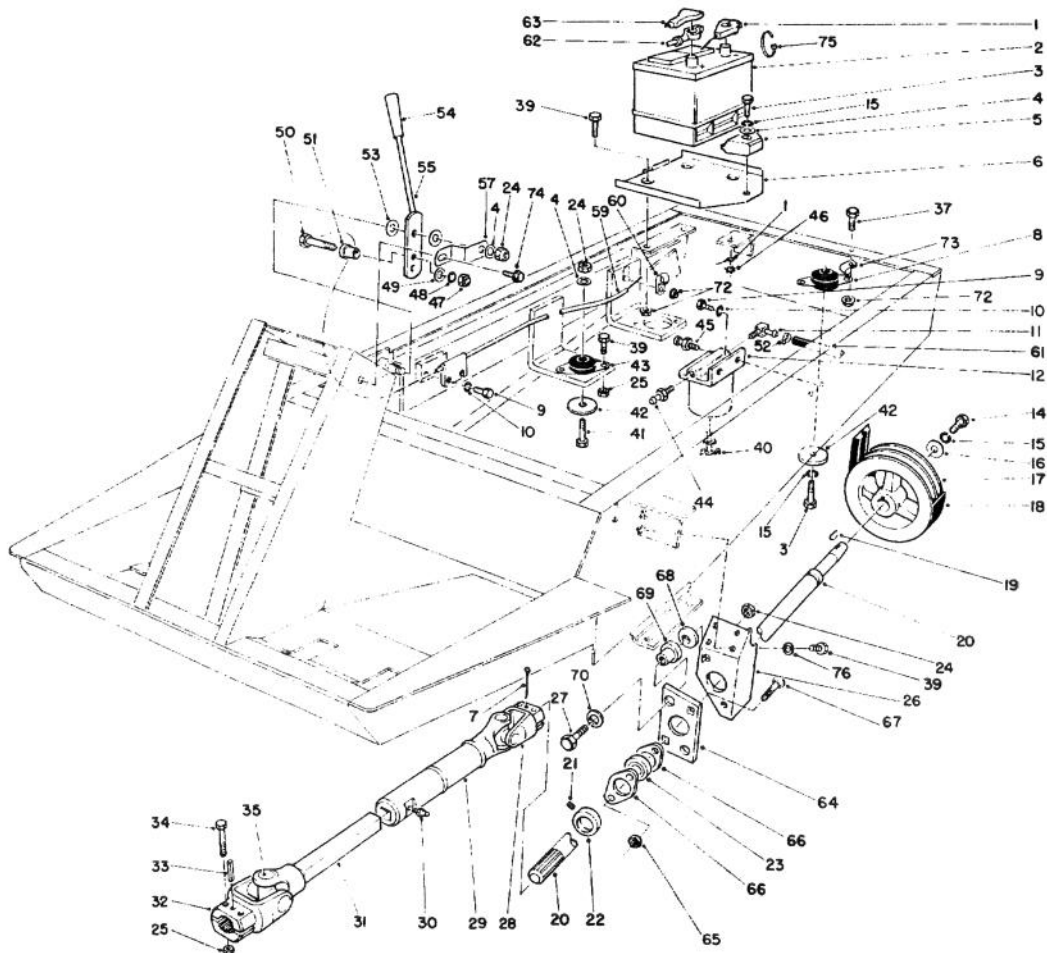


T-0530A

POWER TAKE OFF, BATTERY, AND ENGINE MOUNT ASSEMBLY

Ref. No.	Part No.	Description	No. Used	Ref. No.	Part No.	Description	No. Used
1	63-7340	Wire - Ground	1	24	3296-39	Nut - Lock	7
†2		Battery		25	3296-29	Nut - Lock	12
		Type 26 SMF-5	1	26	63-6530	Bracket - PTO Bearing	1
3	323-9	Screw - Cap Hex. Hd.	2	27	323-10	Screw - Cap Hex. Hd.	2
4	3256-24	Washer - Flat	4	28	54-9090	Yoke - End	1
5	66-2490	Clamp - Battery Retainer	1	29	54-9170	Tube - Slip Yoke	1
6	66-2330	Base - Battery	1	30	302-58	Fitting - Grease	1
7	3272-15	Pin - Cotter	1	31	54-9050	Shaft - Slip Yoke	1
8	63-7141	Mount - Shock (Red)	1	32	54-9040	Yoke - End	1
9	321-4	Screw - Cap Hex. Hd.	4	33	32121-34	Pin - Roll	1
10	3253-3	Washer - Lock	4	34	322-9	Screw - Cap Hex. Hd.	4
11	353-781	Fitting 90°	1	35	54-9180	Kit - Universal Joint	2
12	63-8280	Assembly - Head	1	37	322-3	Screw - Cap Hex. Hd.	1
13	63-8300	Element - Spin-On	1	39	322-5	Screw - Cap Hex. Hd.	15
14	323-18	Screw - Cap Hex. Hd.	1	40	63-8310	Valve - Drain	1
15	3253-21	Washer - Lock	3	41	323-11	Screw - Cap Hex. Hd.	3
16	29-4730	Washer - PTO	1	42	63-7400	Washer - Rebound	4
17	43-5320	Pulley - PTO	1	43	63-7142	Mount - Shock (Yellow)	3
18	63-6240	Belt - PTO	1	44	353-783	Fitting - Straight	1
19	3257-5	Key - Woodruff	1	45	63-8290	Vent - Air	1
20	63-6220	Shaft - PTO	1	46	3255-8	Washer - Lock, Ext. Tooth	1
21	3246-1	Screw - Set	1	47		Nut - Hex.	1
22	251-77	Collar - Locking	1	48		Washer - Lock I.T.L.W.	1
23	251-253	Bearing - PTO Shaft (Incl. Ref. #21 & 22)	1	49		Washer - Flat	1
				50		Screw - Special	1

†Obtain Locally

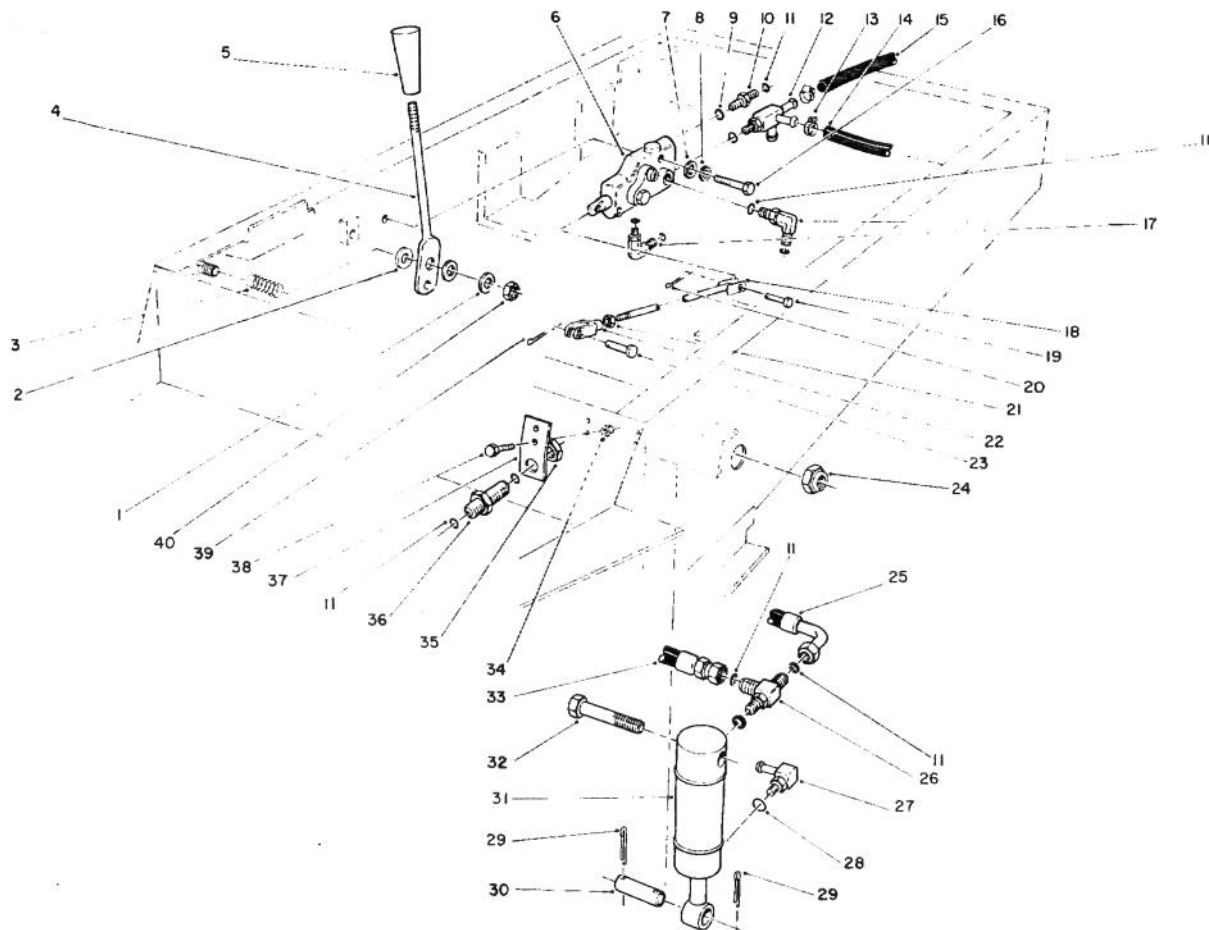


T-0530A

POWER TAKE OFF, BATTERY, AND ENGINE MOUNT ASSEMBLY (Continued)

Ref. No.	Part No.	Description	No. Used	Ref. No.	Part No.	Description	No. Used
51		Sleeve - Connector	1	67	3230-2	Bolt - Carriage	2
52	2412-108	Clamp	2	68	67-1630	Spacer - PTO	2
53	66-2920	Washer - Friction	2	69	63-9750	Mount	2
54	233-39	Knob	1	70	63-8410	Washer - Flat	2
55	71-3500	Lever - Throttle	1	72	32128-20	Nut - Flange	5
57	66-2670	Bracket - Throttle	1	73	2412-104	R-Clamp	2
59	76-1000	Cable - Throttle	1	74	3234-13	Screw - Flange Hd.	1
60	67-7210	R-Clamp	2	75	3290-378	Tie - Cable	1
61	63-7610	Hose	1	76	3253-4	Washer - Lock	4
62	43-4031	Cable - Battery Positive	1	*	63-6760	Swivel - Throttle Cable (Incl. Ref. #47-51)	1
63	28-1280	Boot - Positive Cable	1	*	54-7950	Drive Shaft Assembly (Incl. Ref. #28-32 & 35)	1
64	84-7580	Plate - Bushing Support	1				
65	32149-1	Nut -Lock	2				
66	251-326	Flange - Bearing	2				

*Not Illustrated

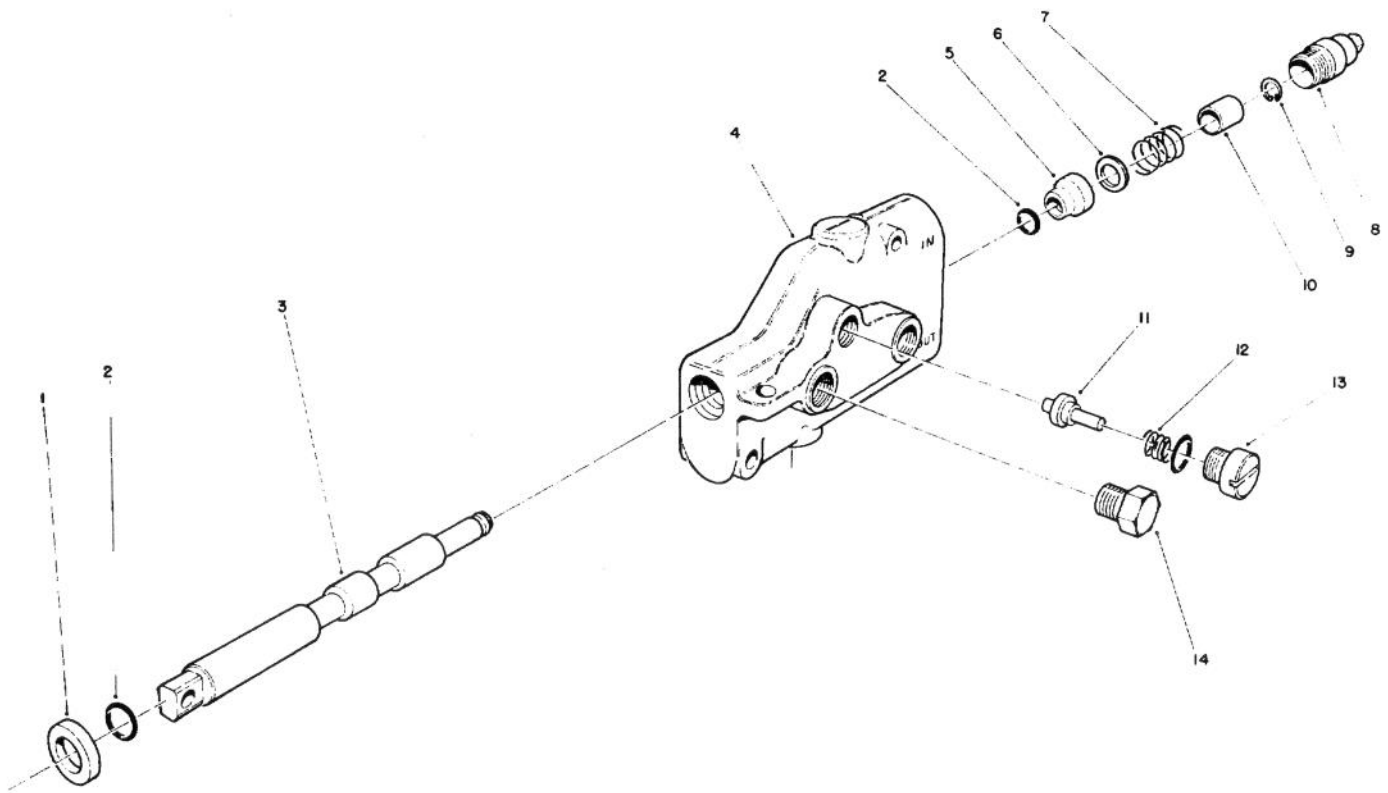


T-0531

HYDRAULIC LIFT SYSTEM ASSEMBLY

Ref. No.	Part No.	Description	No. Used	Ref. No.	Part No.	Description	No. Used
1	3256-23	Washer - Flat	1	24	3296-51	Nut - Lock	2
2	3256-26	Washer - Flat	2	25	66-8190	Assembly - Hose, Hydraulic	1
3	70-7530	Spring - Compression	1	26	340-86	Fitting - Tee (Incl. Ref. #9 & 11) (Used On Cap End of Left Cyl.)	1
4	66-2720	Lever - Lift	1		340-77	Fitting - 90° Elbow (Incl. Ref. #9 & 11) (Used On Cap End of Right Cyl.)	1
5	233-39	Knob	1	27	304-99	Fitting - 90° Elbow (Incl. Ref. #28)	2
6	63-7960	Valve - Lift	1	28	237-22	O-Ring	2
7	3256-22	Washer - Flat	2	29	3272-23	Pin - Cotter	4
8	3253-3	Washer - Lock	2	30	27-4240	Pin - Cylinder	2
9	237-65	Seal - O-Ring	5	31	63-6630	Cylinder - Lift	2
10	340-2	Fitting - Straight (Incl. Ref. #9 & 11)	1	32	328-7	Screw - Cap Hex. Hd.	2
11	237-22	Seal - O-Ring	7	33	66-8640	Assembly - Hose, Hydraulic	1
12	66-3130	Fitting - Tee (Incl. Ref. #9)	1	34	3296-42	Nut - Lock	2
13	2412-36	Clamp - Hose	3	35	340-70	Nut - Fitting	1
14	66-8150	Hose - Hydraulic	1	36	340-71	Fitting - Bulkhead (Incl. Ref. #11 & 35)	1
15	66-8500	Hose	1	37	63-7410	Bracket - Bulkhead	1
16	321-11	Screw - Cap Hex. Hd.	2	38	321-4	Screw - Cap Hex. Hd.	2
17	340-77	Fitting - 90° Elbow (Incl. Ref. #9 & 11)	2	39	3272-31	Pin - Cotter	1
18	76-4830	Rod - Tie	1	40	3296-29	Nut - Lock	1
19	283-16	Pin - Clevis	1				
20	3272-5	Pin - Cotter	1				
21	3220-2	Nut - Jam, R.H.	1				
22	282-27	Clevis	1				
23	283-58	Pin - Clevis	1				

*Not Illustrated



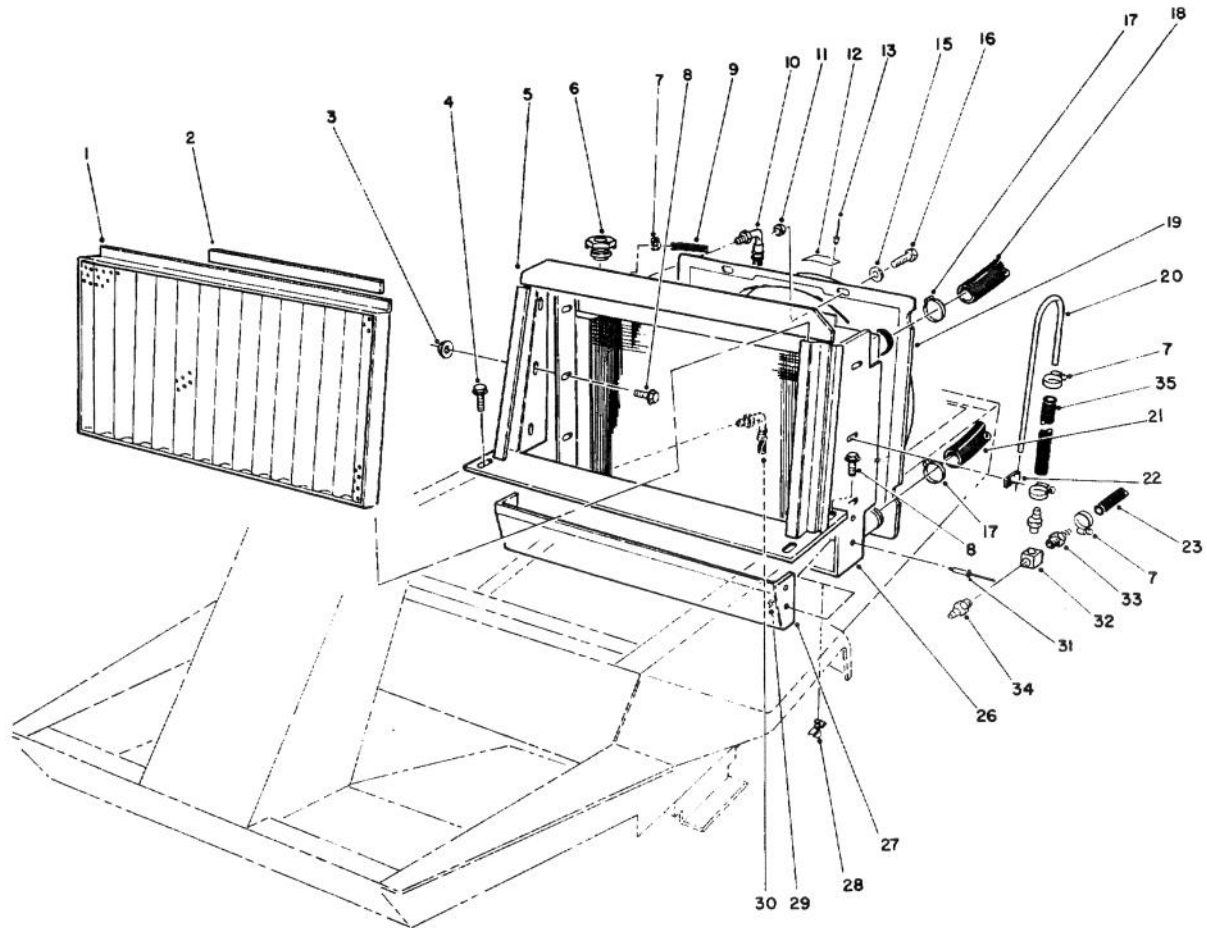
LIFT VALVE ASSEMBLY NO. 63-7960

T-0532

Ref. No.	Part No.	Description	No. Used
1	58-6320	Wiper - Seal	1
2	58-6450	O-Ring	2
3		Spool	1
4		Body	1
5	58-6400	Bushing	1
6	65-2770	Washer	1
7	65-2950	Spring	1
8	58-6420	Assembly - Cap	1

Ref. No.	Part No.	Description	No. Used
9	58-6460	Ring - Retaining	1
10	65-2740	Spacer	1
11	65-2750	Plunger	1
12	65-2760	Spring	1
13	65-2930	Assembly - Plug	1
14	58-6710	Assembly - Plug	1
*	63-7960	Assembly - Lift Valve (Incl. Ref. #3 & 4)	1

*Not Illustrated

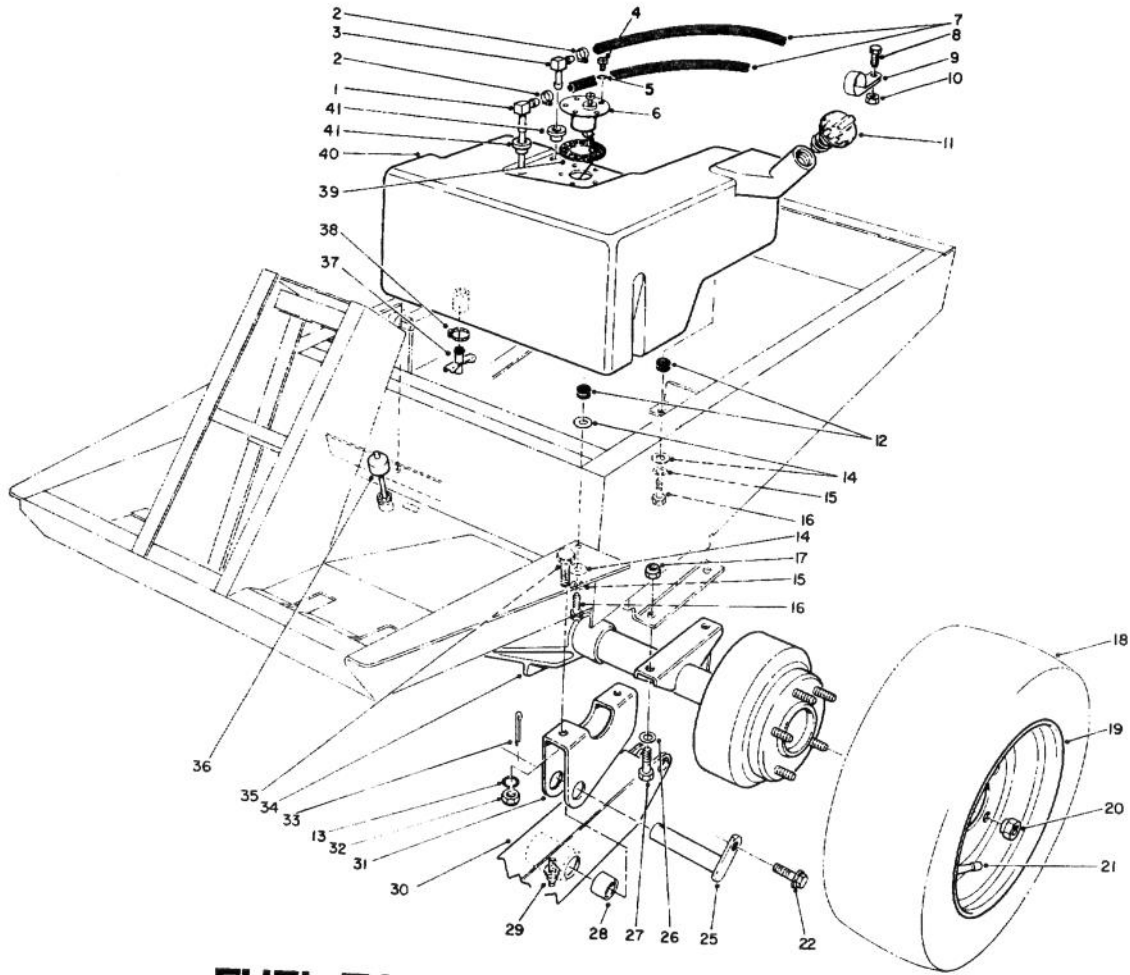


T-0533A

RADIATOR ASSEMBLY

Ref. No.	Part No.	Description	No. Used
1	63-7700	Assembly - Frame, Screen	1
2	63-7710	Magnetic Strip	1
3	32128-20	Nut - Lock	6
4	3234-17	Screw - Flange Hd.	2
5	84-7570	Radiator Support Assembly	1
6	66-3240	Cap - Radiator	1
7	2412-108	Clamp - Hose	8
8	3234-5	Screw - Flange Hd.	8
9	71-3384	Hose	1
10	66-8180	Hose Assembly	1
11	3296-42	Nut - Lock	4
12	76-8750	Plate - Warning	1
13	3290-55	Rivet	2
15	3256-22	Washer - Flat	4
16	321-4	Screw - Cap Hex. Hd.	4
17	2412-34	Clamp - Hose	4

Ref. No.	Part No.	Description	No. Used
18	63-6010	Hose - Upper	1
19	84-7680	Shroud - Fan	1
20	66-3180	Tube - Vent	1
21	63-6020	Hose - Lower	1
22	2412-103	R-Clamp	2
23	75-4702	Hose - Fuel	1
26	82-2310	Radiator Assembly	1
27	63-6440	Shield - Radiator	1
28	304-46	Drain Cock	1
29	3256-13	Washer - Flat	7
30	66-8500	Hose Assembly	1
31	3269-8	Rivet	7
32	354-20	Block	1
33	354-22	Fitting	2
34	354-21	Fitting	1
35	75-4704	Hose	1



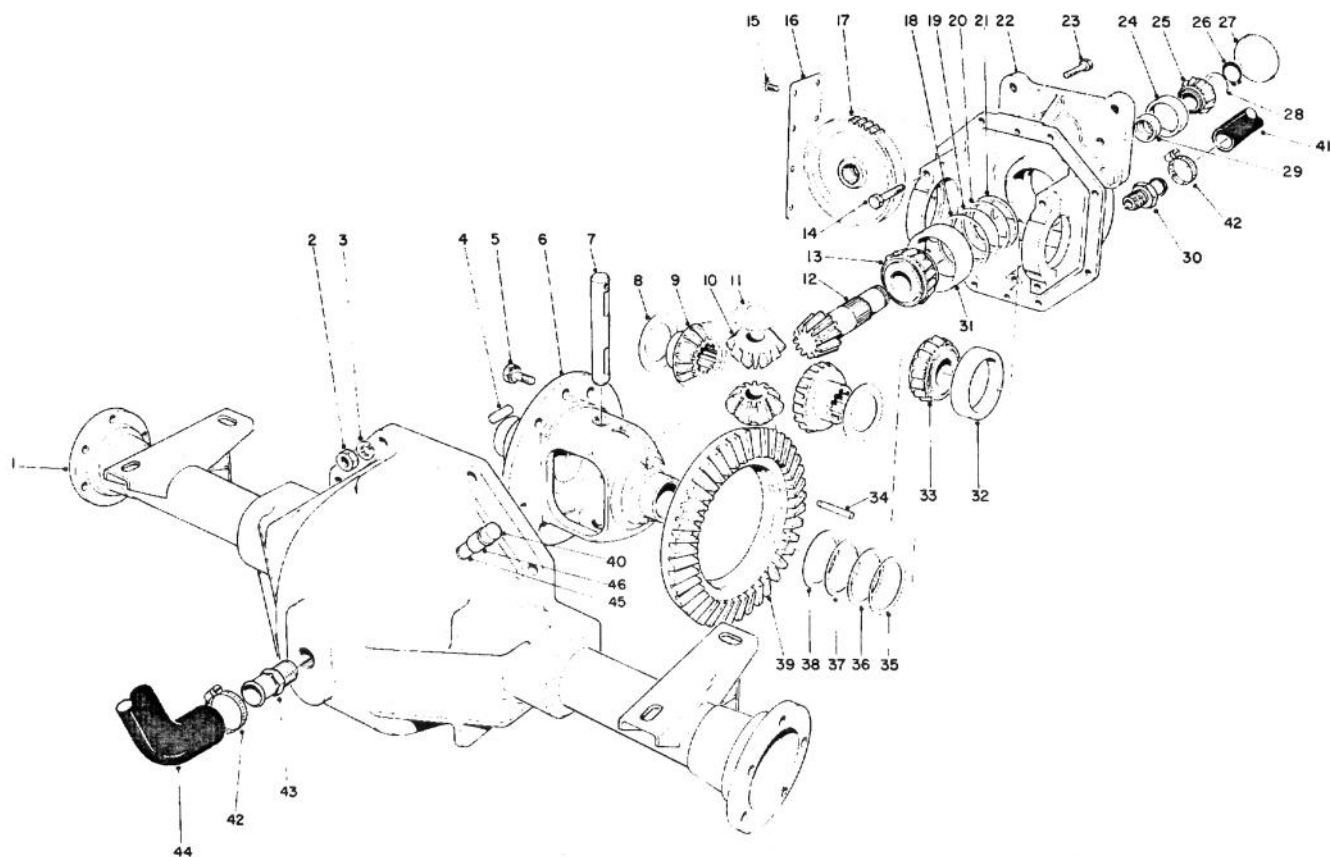
FUEL TANK AND AXLE ASSEMBLY

T-0534A

Ref. No.	Part No.	Description	No. Used
1	66-8120	Standpipe	1
2	2412-108	Clamp	4
3	46-6550	Connector 90°	1
4	32122-24	Screw - Machine	5
5	3253-15	Washer - Lock	5
6	63-7640	Sender - Fuel	1
7	63-7630	Hose	2
8	322-5	Screw - Cap Hex. Hd.	1
9	2412-96	R-Clamp	1
10	32128-20	Nut - Lock	1
11	70-8621	Cap - Fuel	1
12	237-136	Grommet	3
13	3253-8	Washer - Lock	4
14	3256-67	Washer - Flat	3
15	3253-3	Washer - Lock	5
16	321-5	Screw - Cap Hex. Hd.	3
17	3296-48	Nut - Lock	4
18	231-101	Tire	2
19	217-117	Rim	2
20	23-7270	Nut - Lug	10
21	232-31	Valve Stem w/Cap	2

Ref. No.	Part No.	Description	No. Used
22	3234-13	Screw - Flange Hd.	2
25	27-4310	Pin - Pivot	2
26	3256-25	Washer - Flat	4
27	324-5	Screw - Cap Hex. Hd.	4
28	256-101	Bushing	4
29	302-62	Fitting - Grease	2
30	76-3090	Lift Arm - L.H.	1
		(Incl. Ref. #28 & 29)	
*	76-3080	Lift Arm - R.H.	1
		(Incl. Ref. #28 & 29)	
31	67-1830	Carrier Bracket	2
32	3219-6	Nut - Hex.	4
33	3272-17	Pin - Cotter	2
34	70-2740	Assembly - Axle	1
35	3214-5	Screw - Cap Hex. Hd.	4
36	66-3060	Dipstick - Differential	1
37	304-46	Fitting - Drain	1
38	2412-36	Clamp	1
39	62-7650	Gasket	1
40	63-7372	Tank - Fuel	1
41	46-6560	Bushing	2

*Not Illustrated



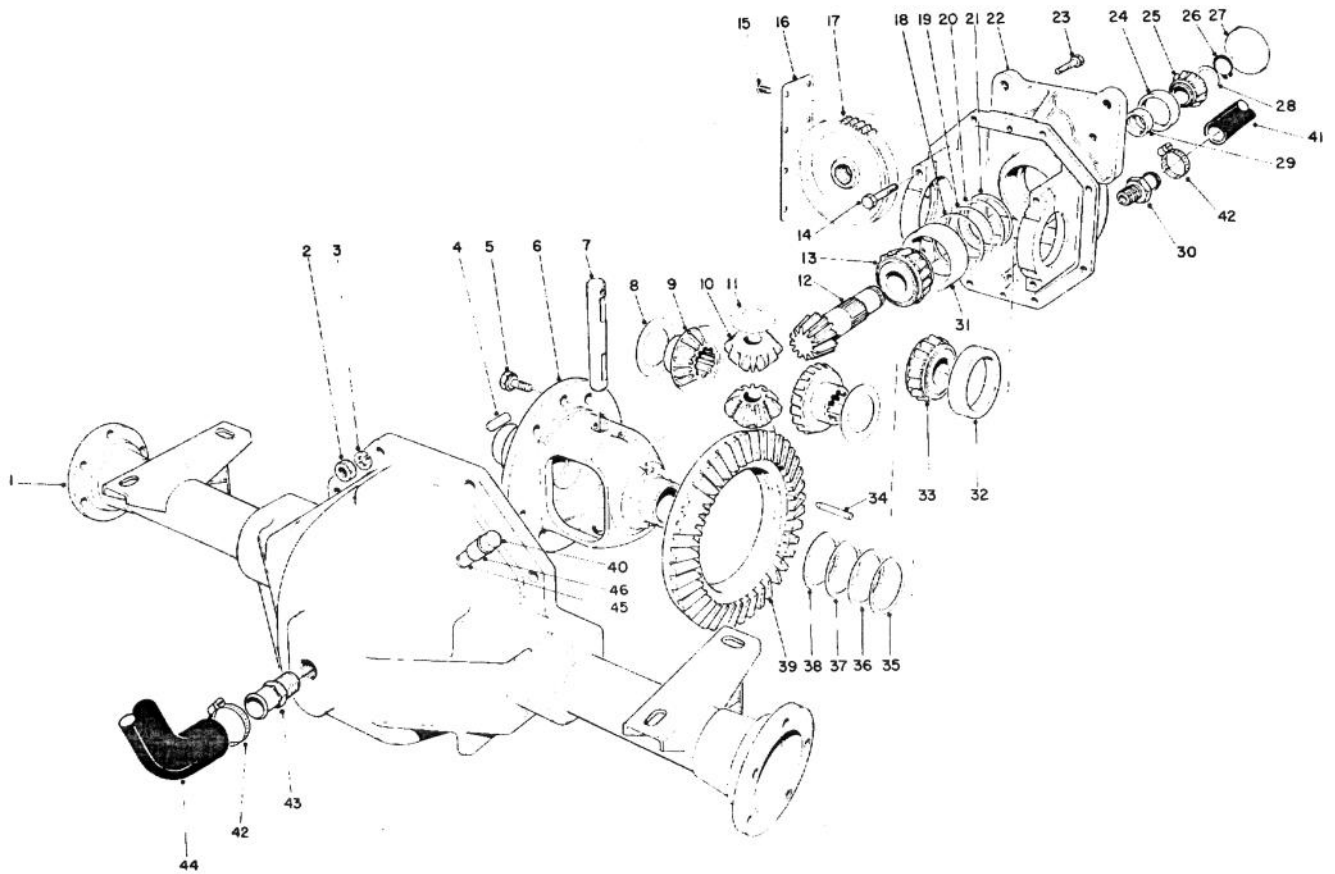
T-0604

DIFFERENTIAL ASSEMBLY

Ref. No.	Part No.	Description	No. Used
1	63-8090	Assembly - Lower Housing	1
2	3219-2	Nut	8
3	3255-8	Washer - Lock	8
4	21-8270	Pin - Dowel	2
5	21-7770	Screw - Drive Gear	5
6	21-7670	Differential Case	1
7	21-7700	Shaft - Pinion Mate	1
8	21-7720	Washer - Thrust	2
9	24-8790	Gear - Bevel, Differential	2
10	21-7690	Gear - Pinion	2
11	21-7730	Washer - Thrust	2
12		Drive Pinion	1
13	43-6760	Cone - Bearing, Tapered	1
14	324-23	Screw - Cap Hex. Hd.	4
15	12-5450	Screw - Thread Forming	8
16	21-7830	Cover - Gear	1
17	21-8150	Gear - Spur	1
18	43-6710	Shim Adjusting Differential Bearing .003	A/R
19	43-6711	Shim Adjusting Differential Bearing .005	A/R
20	43-6712	Shim Adjusting Differential Bearing .010	A/R
21	43-6713	Shim Adjusting Differential Bearing .030	A/R
22	70-2760	Upper Housing Assembly (Incl. Ref. #14)	1
23	3210-7	Screw - Cap Hex. Hd.	8

Ref. No.	Part No.	Description	No. Used
24	254-90	Cup - Bearing	1
25	254-91	Cone - Bearing	1
26	43-6550	Ring - Retaining	1
27	21-7850	Cap Plug	1
28	46-2210	Shim Front Pinion Bearing (.031)	A/R
*	46-2211	Shim Front Pinion Bearing (.033)	A/R
*	46-2212	Shim Front Pinion Bearing (.035)	A/R
*	46-2213	Shim Front Pinion Bearing (.037)	A/R
*	46-2214	Shim Front Pinion Bearing (.039)	A/R
*	46-2215	Shim Front Pinion Bearing (.041)	A/R
*	46-2216	Shim Front Pinion Bearing (.043)	A/R
*	46-2220	Shim Front Pinion Bearing (.045)	A/R
*	46-2221	Shim Front Pinion Bearing (.047)	A/R
*	46-2222	Shim Front Pinion Bearing (.049)	A/R
*	46-2223	Shim Front Pinion Bearing (.051)	A/R
*	46-2224	Shim Front Pinion Bearing (.053)	A/R

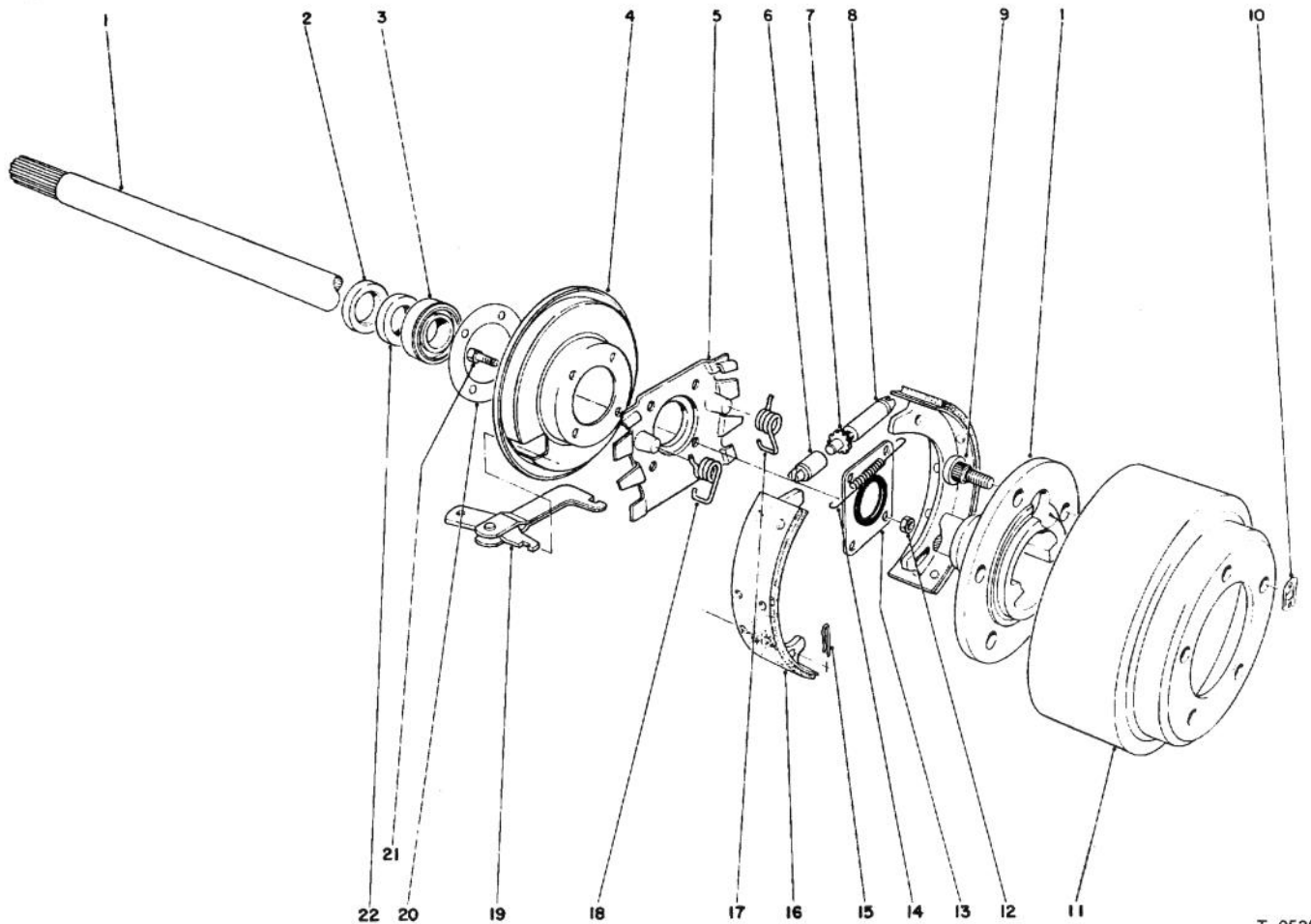
*Not Illustrated



T-0604

DIFFERENTIAL ASSEMBLY (Continued)

Ref. No.	Part No.	Description	No. Used	Ref. No.	Part No.	Description	No. Used
*	46-2225	Shim Front Pinion Bearing (.055)	A/R	*	46-2425	Shim Front Pinion Bearing (.086)	
*	46-2226	Shim Front Pinion Bearing (.057)	A/R	*	46-2426	Shim Front Pinion Bearing (.088)	A/R
*	46-2410	Shim Front Pinion Bearing (.062)	A/R	29	21-8020	Spacer - Frt. Pinion Bearing	1
	46-2411	Shim Front Pinion Bearing (.064)	A/R	30	354-18	Fitting - Straight	1
*	46-2412	Shim Front Pinion Bearing (.066)	A/R	31	43-6750	Cup - Tapered, Bearing	1
*	46-2413	Shim Front Pinion Bearing (.068)	A/R	32	254-66	Cup - Tapered, Bearing	2
*	46-2414	Shim Front Pinion Bearing (.070)	A/R	33	254-65	Cone - Tapered, Bearing	2
*	46-2415	Shim Front Pinion Bearing (.072)	A/R	34	21-7710	Pin - Roll	1
*	46-2416	Shim Front Pinion Bearing (.074)	A/R	35	21-8090	Differential Adjust. Shim. .003	A/R
*	46-2420	Shim Front Pinion Bearing (.076)	A/R	36	21-8100	Differential Adjust. Shim. .005	A/R
	46-2421	Shim Front Pinion Bearing (.078)	A/R	37	21-8110	Differential Adjust. Shim. .010	A/R
*	46-2422	Shim Front Pinion Bearing (.080)	A/R	38	21-8120	Differential Adjust. Shim. .030	A/R
*	46-2423	Shim Front Pinion Bearing (.082)	A/R	39		Gear - Ring	1
*	46-2424	Shim Front Pinion Bearing (.084)	A/R	40	72-9420	Vent Assembly	1
				41	66-8130	Hose - Hydraulic	1
				42	2412-34	Clamp - Hose	4
				43	354-71	Pipe Nipple	1
				44	77-0550	Tube - Fill	1
					43-6510	Assembly - Gear & Pinion (Incl. Ref. #12 & 39)	1
				45	289-6	Nipple - Pipe	1
				46	2810-1	Coupler	1



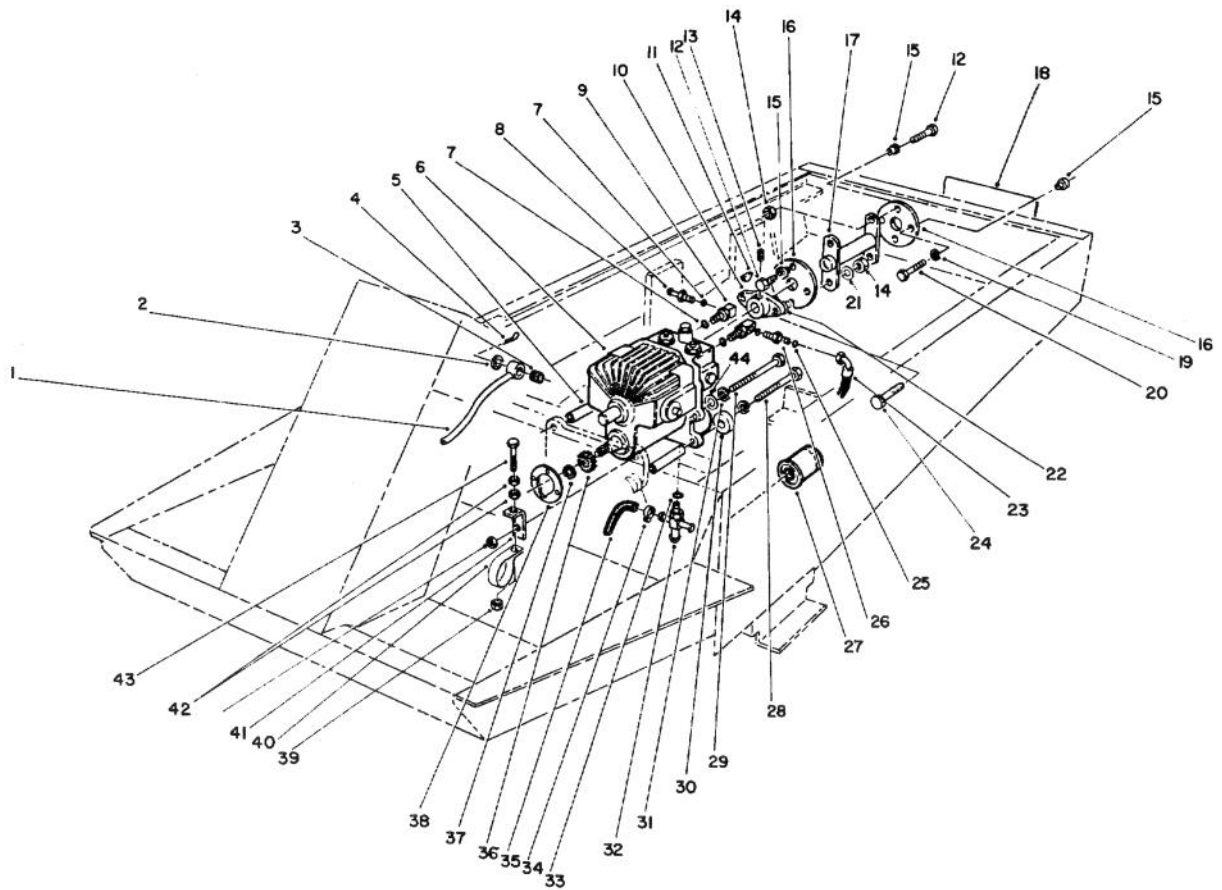
T-0535

BRAKE ASSEMBLY

Ref. No.	Part No.	Description	No. Used
1	27-6861	Shaft - Axle, Flanged L.H.	1
*	27-6851	Shaft - Axle, Flanged R.H.	1
2	21-8330	Oil Seal	2
3	21-8180	Bearing - Tapered Roller	2
4	21-9450	Dust Shield	2
5	43-6810	Torque Spider	2
6	21-9390	Socket - Adjusting Screw	2
7	21-9370	Adjusting Screw	2
8	21-9380	Nut - Pivot	2
9	242-34	Stud - Axle Flange	10
10	21-8360	Clip - Retaining	2
11	28-0680	Brake Drum	2

Ref. No.	Part No.	Description	No. Used
12	43-6800	Nut - Lock, Flange Hd.	8
13	28-0670	Oil Seal	2
14	21-9440	Screw - Spring Adjusting	2
15	21-9460	Retainer - Parking Brake	4
16	84-8600	Brake Shoe Set (Incl. 4 Shoes)	1
17	21-9420	Spring - Shoe Return L.H.	2
18	21-9430	Spring - Shoe Return R.H.	2
19	24-9180	Strut/Lever - Parking Brake	2
20	21-8320	Gasket - Wheel Bearing	2
21	28-0660	Screw - Cap Hex. Hd.	8
22	24-8840	Ring - Wheel Bearing	2

*Not Illustrated

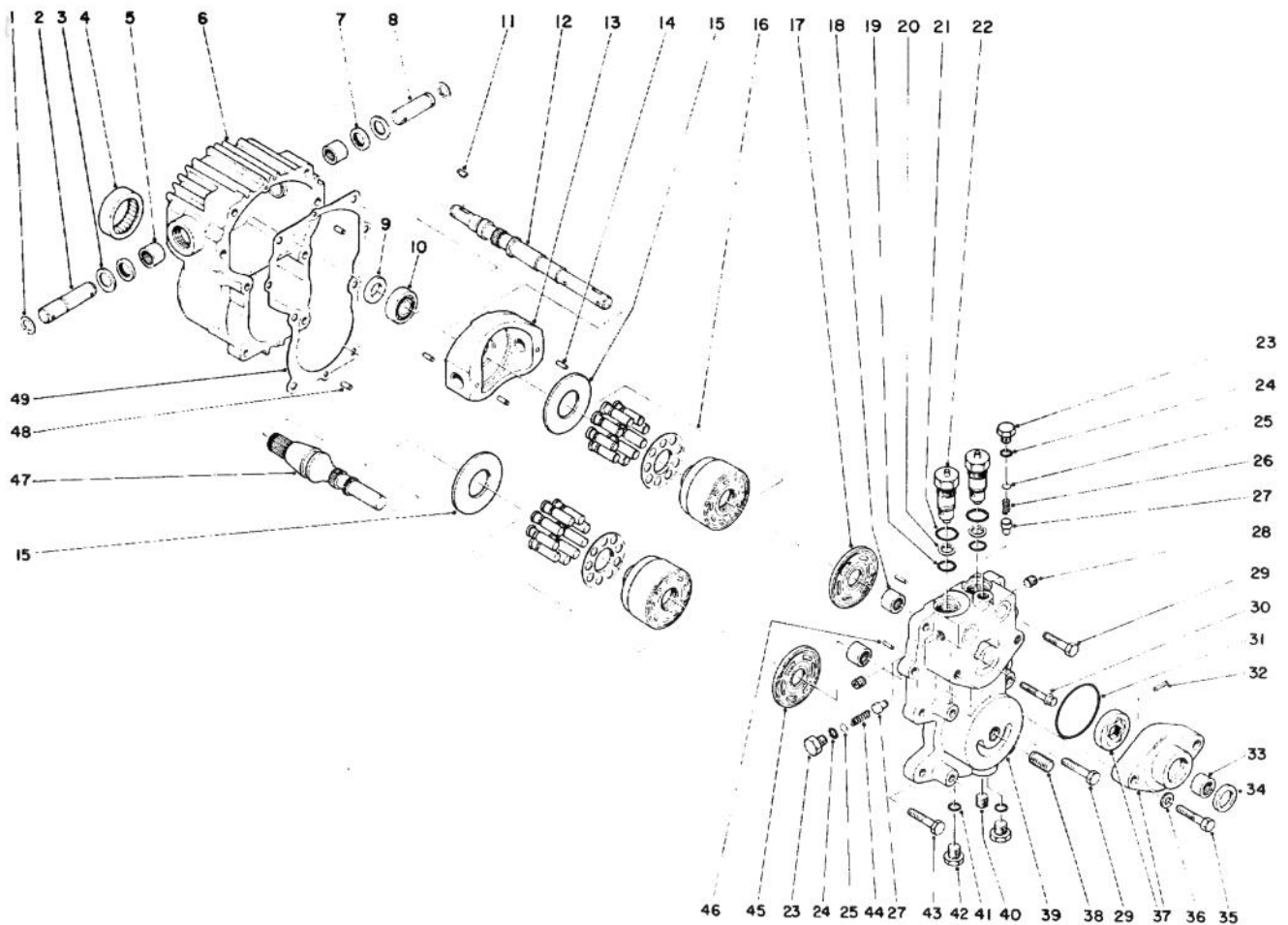


TRANSMISSION & DRIVE COUPLING ASSEMBLY

T-0605A

Ref. No.	Part No.	Description	No. Used
1	63-6410	Tube - Traction Control	1
2	3256-26	Washer - Flat	1
3	23-2270	Bushing - Rubber	1
4	3272-10	Pin - Cotter	1
5	27-3680	Spacer - Mounting	4
6	49-7910	Transmission	1
7	237-42	O-Ring	4
8	353-979	Hose Barb	1
9	66-3110	Hyd. Fitting	2
10	27-4370	Hub - Pump	1
11	3257-5	Key - Woodruff	1
12	3210-5	Screw - Cap Hex. Hd.	4
13	3241-6	Screw - Set	2
14	32152-5	Nut - Lock	6
15	27-6600	Spacer - Rubber	6
16	44-2230	Coupling - Rubber	2
17	63-6610	Drive Shaft	1
18	62-7400	Decal - Toro	1
19	42-9850	Washer - Lock	2
20	66-3160	Screw - Cap Hex. Hd.	2
21	3256-71	Washer - Flat	2
22	27-6590	Spacer	2

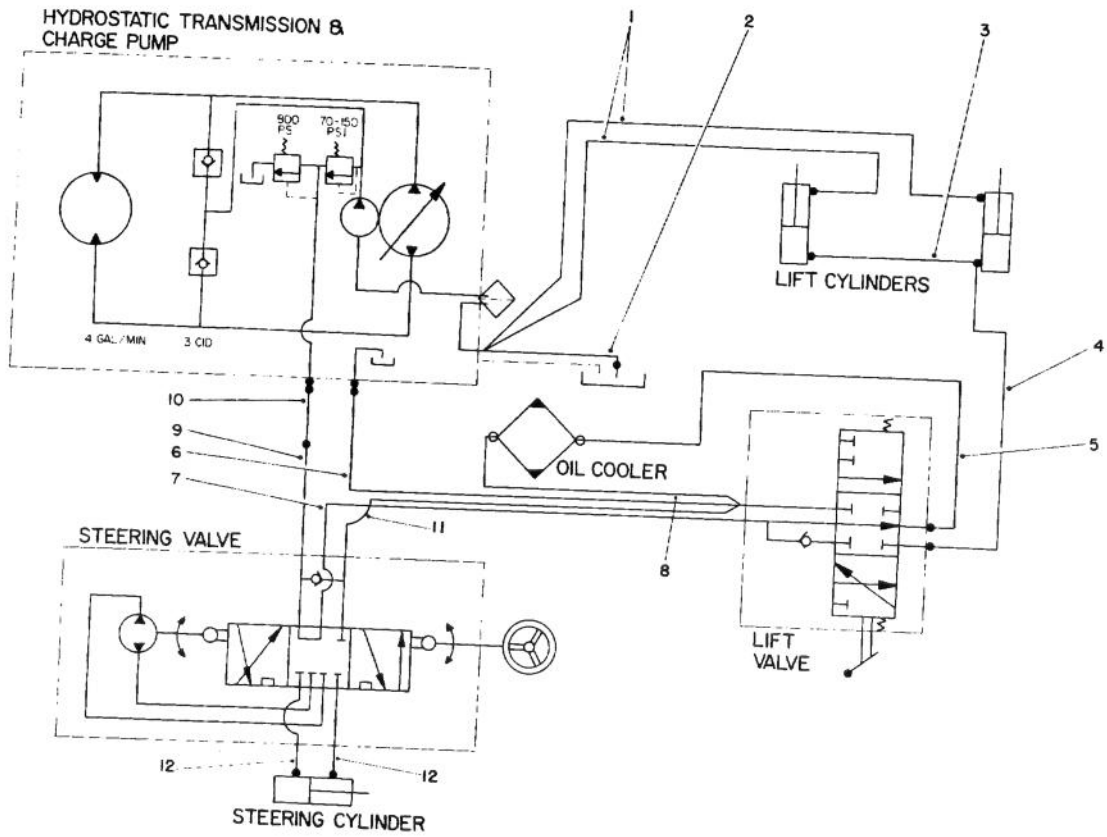
Ref. No.	Part No.	Description	No. Used
23	66-8490	Assembly - Hose	1
24	3210-8	Screw - Cap Hex. Hd.	2
25	237-22	O-Ring	1
26	82-8530	Fitting	1
27	23-2300	Oil Filter	1
28	323-39	Screw - Cap Hex. Hd.	3
29	27-9620	Screw - Cap Hex. Hd.	1
30	52-2340	Spacer	1
31	3253-21	Washer - Lock	4
32	66-3120	Hyd. Fitting - Cross	1
33	237-80	O-Ring	1
34	2412-108	Hose Clamp	4
35	66-8160	Hose	2
36	23-4810	Gear - Spur	1
37	32120-72	Ring - Retaining	1
38	27-3690	Gasket - Transmission	1
39	3296-39	Nut - Lock	2
40	2412-4	R-Clamp	1
41	63-7170	Anchor - Transmission	1
42	3218-3	Nut - Jam	2
43	67-1900	Screw - Cap Hex. Hd.	1
44	3256-24	Washer - Flat	1



T-0536

TRANSMISSION ASSEMBLY NO. 49-7910

Ref. No.	Part No.	Description	No. Used	Ref. No.	Part No.	Description	No. Used
1	32151-46	Ring - Retaining	2	26	46-7310	Relief Valve Spring Imp.	1
2	25-2500	Shaft - Trunion	1	27	28-3420	Relief Valve Cone Charge	2
3	25-2510	Washer	2	28	285-17	Plug - Pipe	4
4	28-3300	Bearing - Roller	1	29	323-8	Screw - Cap Hex. Hd.	2
5	28-3310	Bearing - Needle	2	30	28-3530	Screw - Cap Hex. Hd.	2
6	49-7870	Housing	1	31	28-3520	O-Ring	1
7	25-3210	Lip Seal	2	32	38-2680	Pin	1
8	28-3670	Shaft - Trunion	1	33	28-3480	Bearing - Needle	1
9	28-3660	Lip Seal	1	34	28-3470	Lip Seal	1
10	28-3650	Bearing - Ball	1	35	324-23	Screw - Cap Hex. Hd.	2
11	3257-5	Key - Woodruff	2	36	28-3450	Washer - Flat	2
12	28-3640	Shaft - Pump	1	37	38-2670	Kit - Charge Pump (Incl. Ref. #31-34)	1
13	49-7820	Variable Swashplate	1	38	25-2660	Union - Filter	1
14	32121-91	Pin	3	39	49-7850	Center Section	1
15	25-2380	Plate - Thrust	2	40	46-7280	Plug - Pipe	1
16	48-1800	Kit - Cylinder Block	2	41		O-Ring	2
17	46-7320	Plate - Pump Valve	1	42	28-3440	Threaded Plug (Incl. Ref. #41)	2
18	25-3300	Bearing - Needle	2	43	323-10	Screw - Cap Hex. Hd.	4
19	28-3590	O-Ring	2	44	25-2480	Relief Valve Spring Charge	1
20	28-3580	Ring - Backup	2	45	28-3380	Plate - Motor Valve	1
21	28-3570	O-Ring	2	46	25-2430	Pin	2
22	49-7830	Assembly - Check Valve (Incl. Ref. #19-21)	2	47	49-8200	Shaft - Motor	1
23	25-2460	Hex Hd. Plug	2	48	28-3350	Pin	2
24	28-3400	O-Ring	2	49	28-3340	Gasket	1
25	25-2470	Shim Pack	A/R				

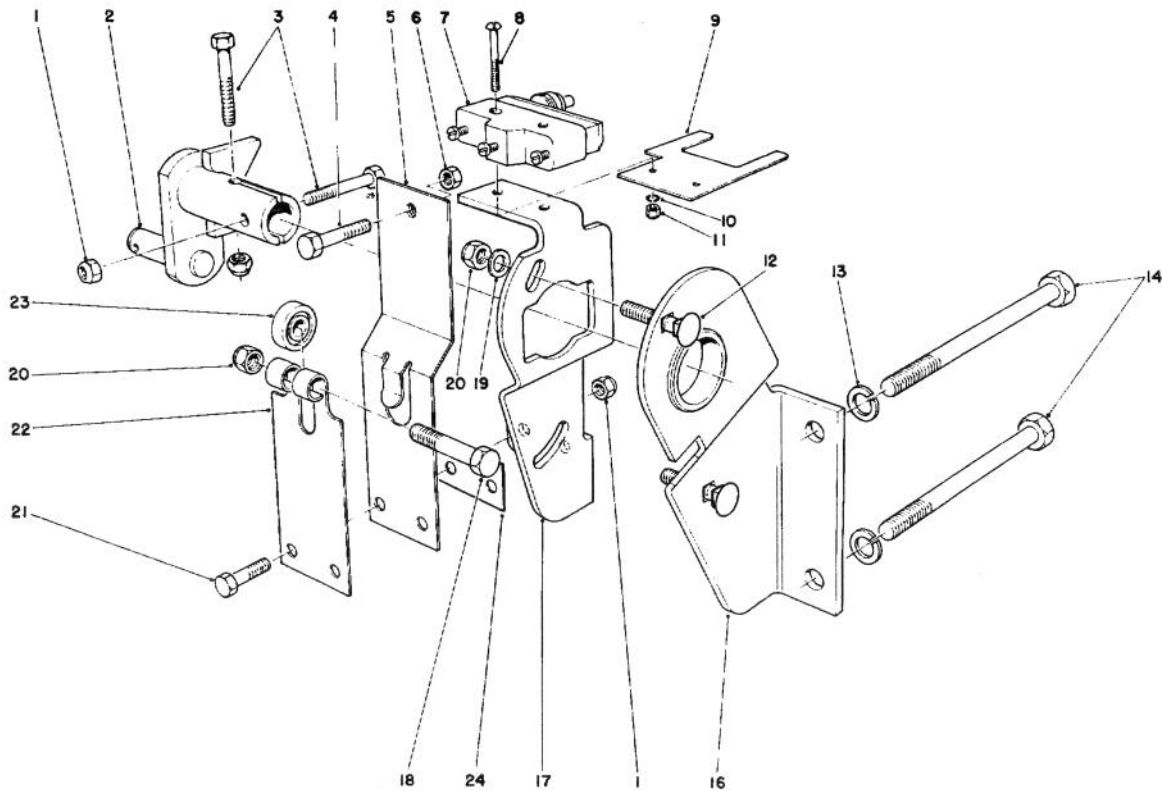


HYDRAULIC SCHEMATIC

T-0537

Ref. No.	Part No.	Description	No. Used
1	66-8160	Hose	2
2	66-8130	Hose	1
3	66-8190	Hose	1
4	66-8640	Hose	1
5	66-8180	Hose	1
6	66-8150	Hose	1

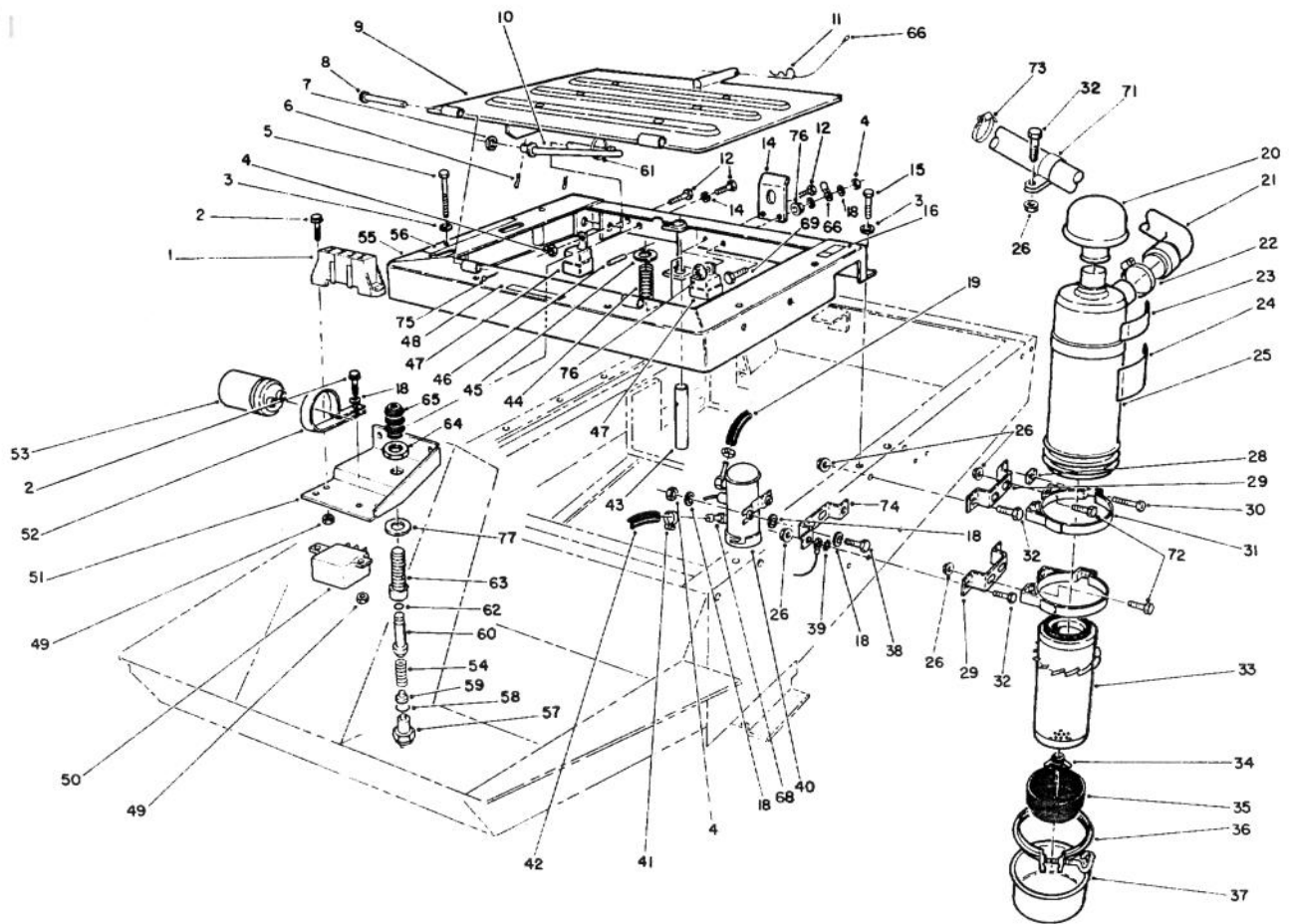
Ref. No.	Part No.	Description	No. Used
7	66-8630	Tube	1
8	66-8500	Hose	1
9	66-8620	Tube	1
10	66-8490	Hose	1
11	66-8140	Hose	1
12	66-8170	Hose	2



T-0538A

TRANSMISSION INTERLOCK ASSEMBLY

Ref. No.	Part No.	Description	No. Used	Ref. No.	Part No.	Description	No. Used
1	3296-42	Nut - Lock	4	13	3253-21	Washer - Lock	2
2	29-9790	Pump - Lever	1	14	323-39	Screw - Cap Hex. Hd.	2
3	321-9	Screw - Cap Hex. Hd.	2	16	52-8890	Bracket - Mounting	2
4	3210-7	Screw - Cap Hex. Hd.	1	17	52-9070	Plate - Pump	1
5	29-6170	Spring - Extended Leaf	1	18	322-17	Screw - Cap Hex. Hd.	1
6	3219-2	Nut - Hex.	1	19	3256-23	Washer - Flat	2
7	29-6162	Micro Switch	1	20	3296-29	Nut - Lock	3
8	3249-11	Screw - Round Hd.	2	21	321-4	Screw - Cap Hex. Hd.	2
9	46-8810	Stop - Leaf Spring	1	22	29-6150	Spring - Leaf	1
10	3254-9	Washer - Lock I.T.L.W.	2	23	251-259	Bearing - Ball	1
11	3217-16	Nut - Hex.	2	24	51-3150	Shim	1
12	3230-2	Carriage - Bolt	2				

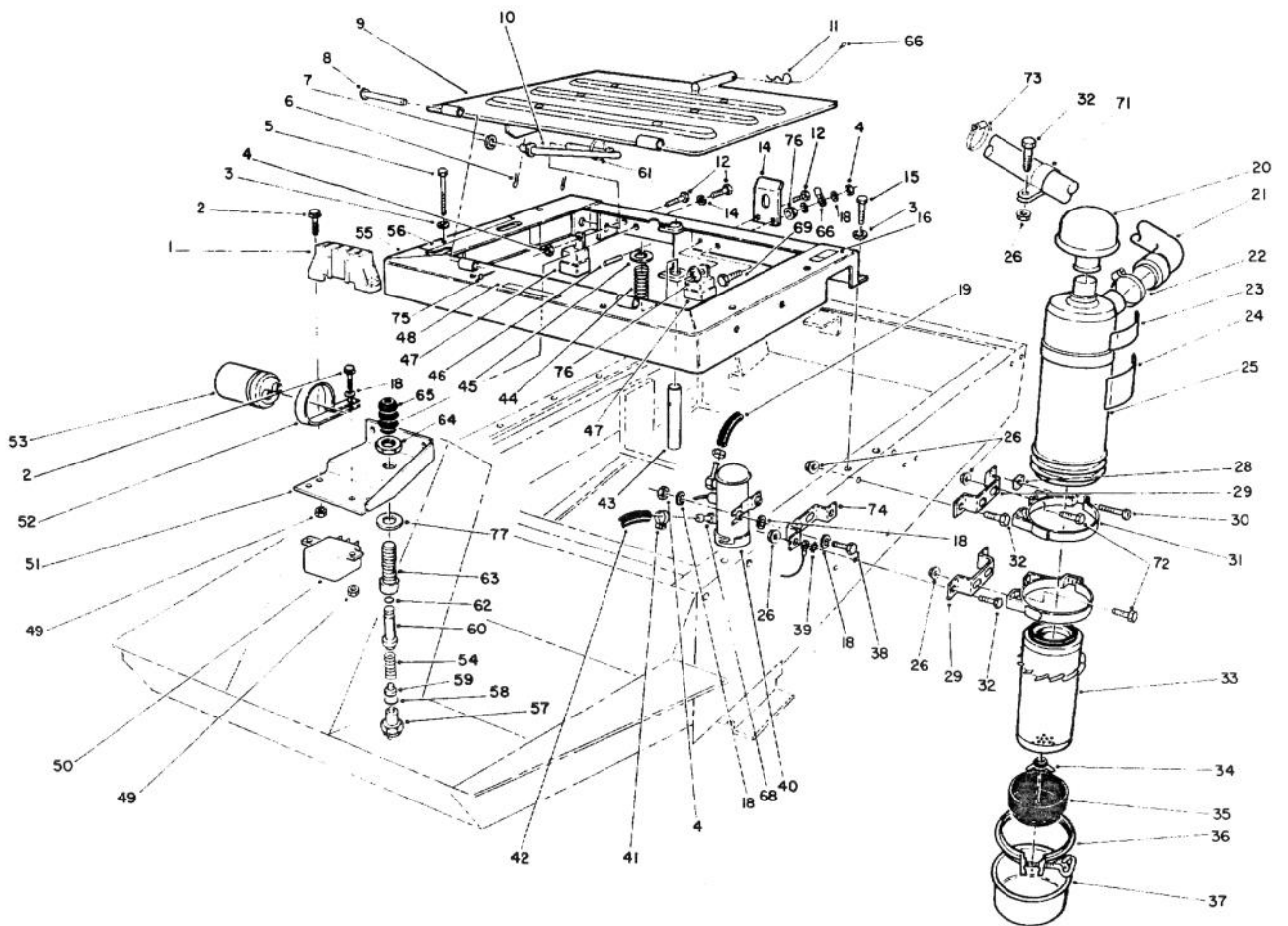


T-0606A

SEAT FRAME & AIR CLEANER ASSEMBLY

Ref. No.	Part No.	Description	No. Used
1	67-7160	Fuse Block	1
2	3290-126	Screw - Cap Hex. Hd.	4
3	3256-70	Washer - Flat	6
4	3296-42	Nut - Lock	4
5	322-33	Screw - Cap Hex. Hd.	6
6	3272-11	Pin - Cotter	2
7	3256-24	Washer - Flat	1
8	283-49	Pin - Clevis	2
9	63-7080	Plate - Seat	1
10	66-2800	Rod - Seat Support	1
11	3290-255	Pin - Hair, Cotter	1
12	321-4	Screw - Cap Hex. Hd.	4
13	3253-3	Washer - Lock	2
14	66-2630	Latch - Seat	1
15	3234-17	Screw - Flange Hd.	2
16	52-1320	Decal - Diesel Fuel Only	1
18	3256-22	Washer - Flat	9
19	63-7620	Hose	1
20	27-7180	Assembly - Cap	1
21	63-6040	Hose - Air Cleaner Inlet	1
22	2412-42	Clamp - Hose	1
23	67-1700	Decal - Starting Fluid	1
24	27-7160	Decal - Instructions	1
25	27-7100	Assembly - Air Cleaner (Incl. Ref. #24 & 32-36)	1
26	32128-20	Nut - Flange	9

Ref. No.	Part No.	Description	No. Used
28	32107-11	Nut - Square	2
29	66-2451	Bracket - Air Cleaner	2
30	3258-19	Screw - Cap Hex. Hd.	2
31	27-7170	Assembly - Mounting Band (Incl. Ref. #28 & 30)	2
32	322-5	Screw - Cap Hex. Hd.	5
33	27-7110	Assembly - Element	1
34	27-7120	Assembly - Nut & Gasket	1
35	27-7140	Skirt - Baffle	1
36	27-7130	Assembly - Clamp	1
37	27-7150	Assembly - Cup	1
38	321-8	Screw - Cap Hex. Hd.	2
39	3255-8	Washer - Lock, Ext. Tooth	1
40	53-8150	Pump - Fuel	1
41	2412-108	Clamp - Hose	4
42	63-7630	Hose	1
43	66-2590	Pin - Seat Spring	1
44	37-9590	Spring - Compression	1
45	3256-27	Washer - Flat	1
46	32121-6	Pin - Roll	1
47	63-7590	Relay	2
48	67-1710	Decal - Interlock	1
49	3296-12	Nut - Lock	4
50	66-8800	Relay	1
51	70-7290	Bracket - Seat Switch	1
52	2412-74	R-Clamp	1



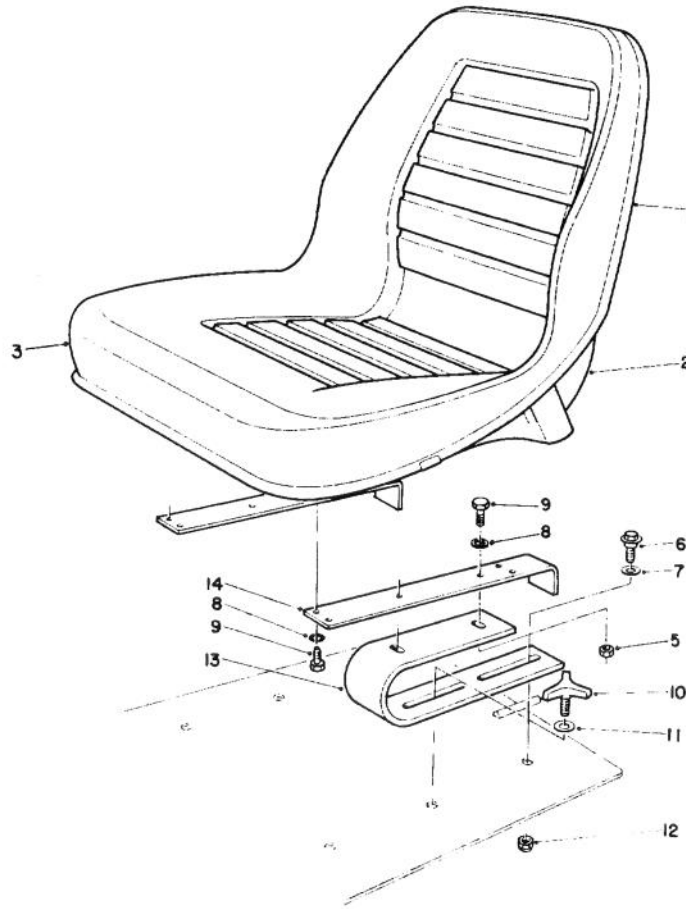
T-0606A

SEAT FRAME & AIR CLEANER ASSEMBLY (Continued)

Ref. No.	Part No.	Description	No. Used
53	37-2690	Capacitor	1
54	43-8600	Spring - Compression	1
55	85-7520	Frame - Seat	1
56	66-8750	Decal - Control Levers	1
57	72-4320	Switch	1
58	237-30	O-Ring	1
59	43-8610	Guide - Spring & Ball Seat	1
60	43-8860	Plunger - Switch	1
61	3290-378	Tie - Cable	1
62	237-7	O-Ring	1
63	43-8620	Guide - Switch Pin	1
64	218-461	Nut - Jam	1
65	43-8870	Boot - Switch	1
66	28-8070	Lanyard	1

Ref. No.	Part No.	Description	No. Used
68	67-1690	Fitting	2
69	321-6	Screw - Cap Hex. Hd.	1
71	2412-107	R-Clamp	1
72	322-3	Screw - Cap Hex. Hd.	4
73	2412-92	Clamp - Hose	1
74	66-2450	Bracket - Air Cleaner	1
75	3272-4	Pin - Cotter	2
76	32128-33	Nut - Hex. Flange	2
77	3256-69	Washer - Flat	1
*	43-9071	Switch - Seat (Incl. Ref. #54, 57-60 & 62-65)	1

*Not Illustrated



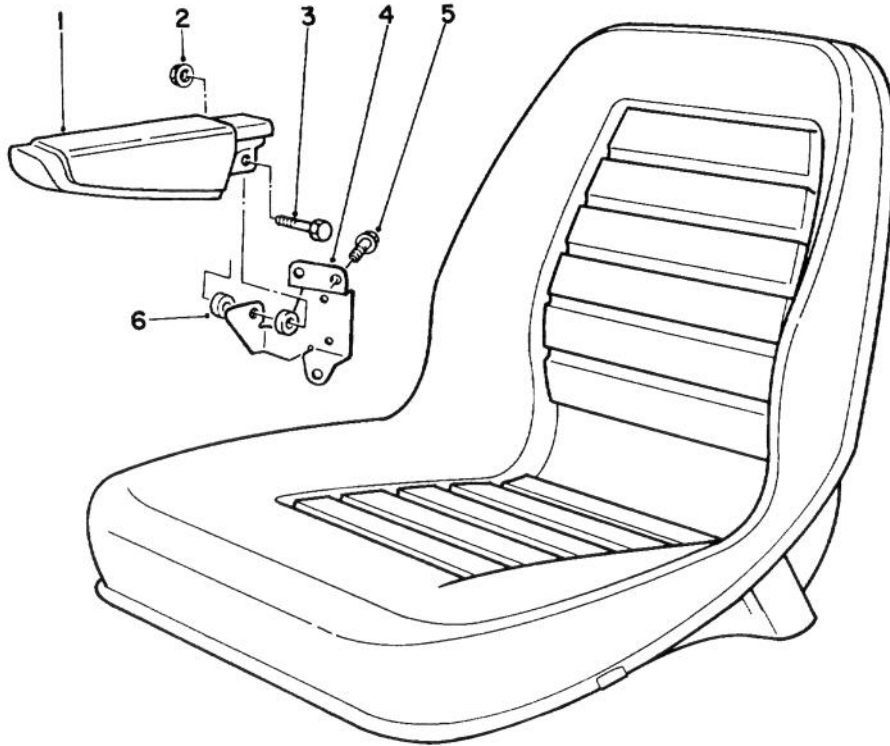
STANDARD SEAT KIT MODEL NO. 30769

T-0777

Ref. No.	Part No.	Description	No. Used
1	67-9550	Cushion - Seat	1
2	67-9560	Shell - Seat	1
5	3217-6	Nut - Hex	4
6	27-5240	Bolt - Shoulder	2
7	3256-26	Washer - Flat	2
8	3253-4	Washer - Lock	8
9	322-5	Screw - Cap Hex. Hd.	8

Ref. No.	Part No.	Description	No. Used
10	27-4570	Handle - Adjustment	2
11	36-8020	Washer	2
12	3296-39	Nut - Lock	2
13	46-9110	Spring - Seat	2
14	46-9120	Mount - Seat	2
*	66-5400	Assembly - Seat (Incl. Ref. #1 & 2)	1

*Not Illustrated

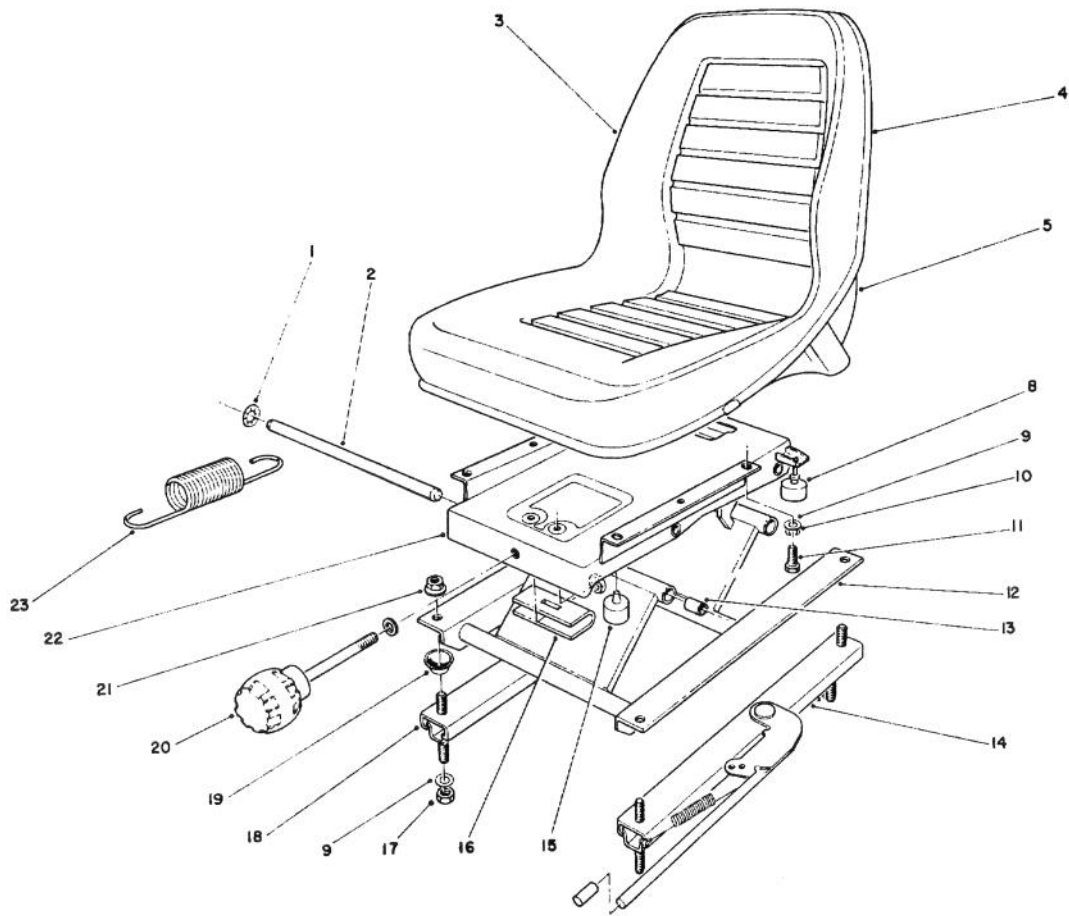


T-0634

ARMREST KIT MODEL NO. 30707

Ref. No.	Part No.	Description	No. Used	Ref. No.	Part No.	Description	No. Used
1	69-1180	Armrest	2	*	69-0760	Bracket - L.H. Arm	1
2	32128-19	Nut - Lock, Flange	2	5	3234-14	Screw - Cap Hex. Flange	6
3	323-9	Screw - Cap Hex. Hd.	2	6	69-1260	Spacer	4
4	69-0770	Bracket - R.H. Arm	1				

*Not Illustrated



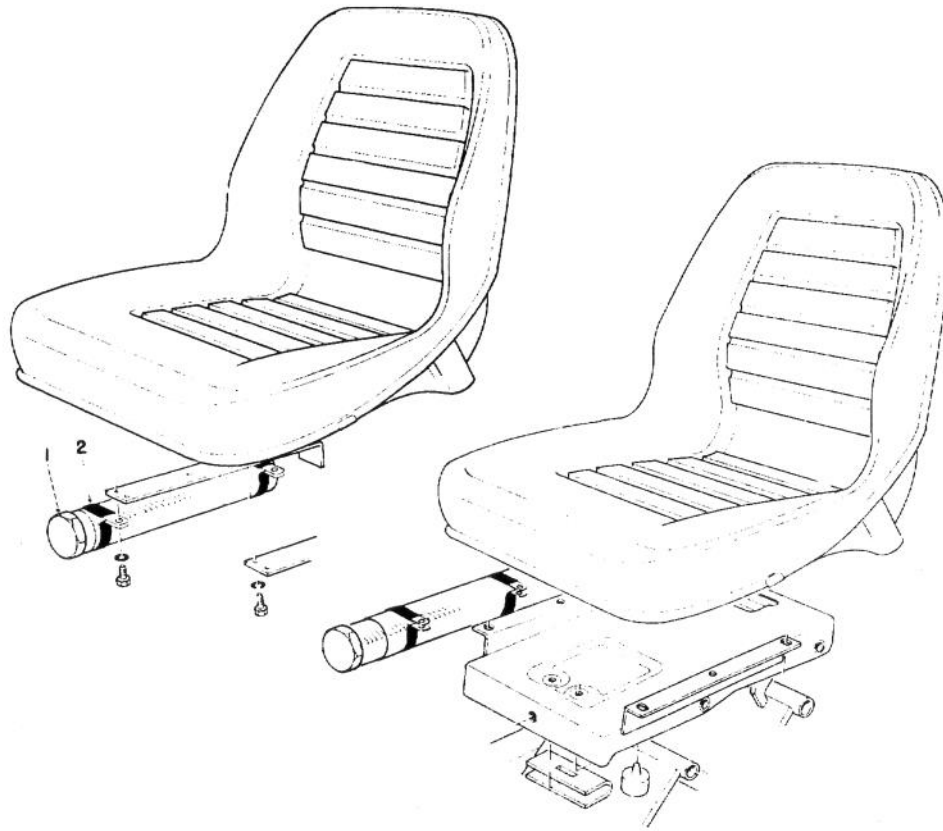
T-0454

DELUXE SEAT KIT MODEL NO. 30772

Ref. No.	Part No.	Description	No. Used
1	66-8560	Nut - Push	4
2	76-1910	Shaft - Pivot	2
3		Cushion - Seat	1
4		Trim - Seat	1
5		Base - Seat	1
8	76-2940	Bumper	2
9	3256-2	Washer - Flat	8
10	3253-4	Washer - Lock	4
11	322-3	Screw - Cap Hex. Hd.	4
12	66-8610	Frame - Lower	1
13	76-1920	Bearing - Sleeve	4
14	66-8510	Adjuster w/Handle	1
15	66-8520	Bumper - Stop	2

Ref. No.	Part No.	Description	No. Used
16	66-8540	Hanger - Spring	1
17	3296-29	Nut - Hex.	4
18	66-8530	Adjuster	1
19	66-9290	Spacer - Suspension	4
20	76-1930	Knob Adjustment	1
21	32128-25	Nut - Lock, Flange	4
22	66-8600	Frame - Upper	1
23	76-1940	Spring - Extension	2
*	66-5400	Assembly - Seat (Incl. Ref. #3-5)	1
A			

*Not Illustrated

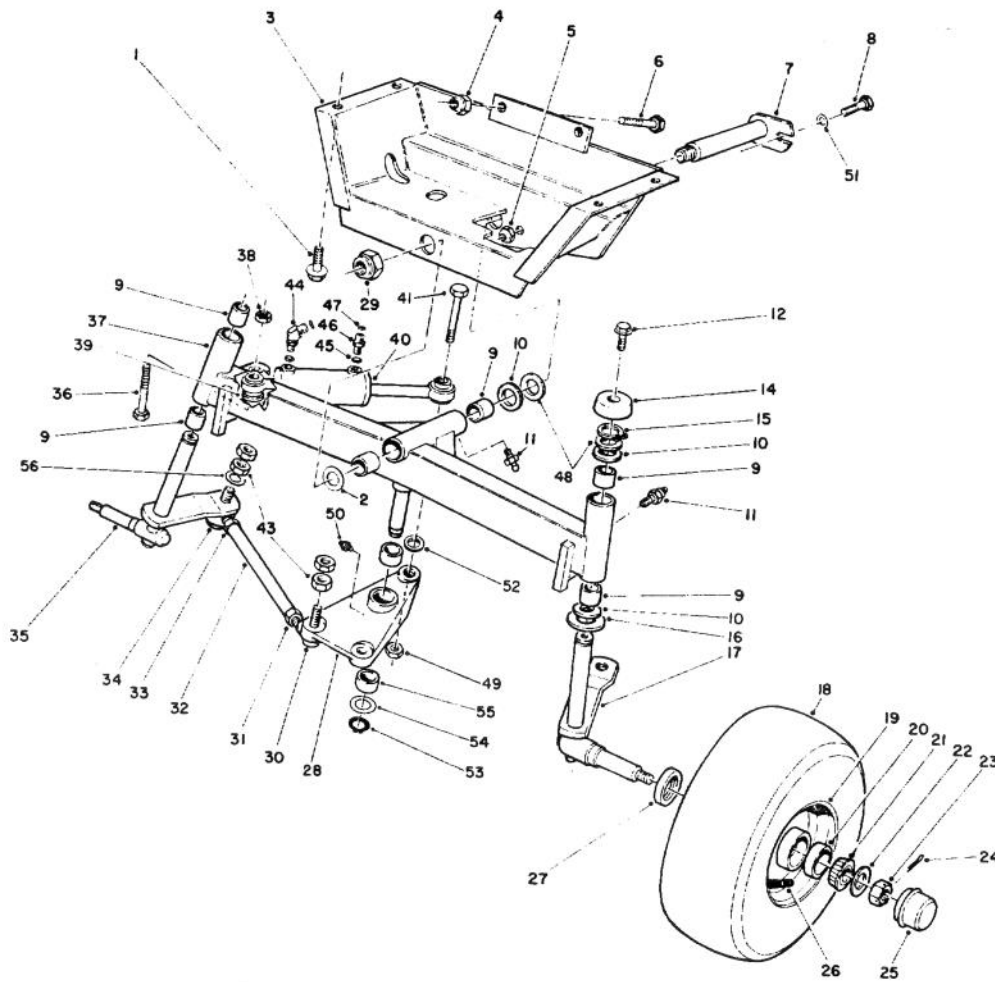


T-1253

MANUAL STORAGE ASSEMBLY

Ref. No.	Part No.	Description	No. Used
1	74-0720	Tube - Manual	1

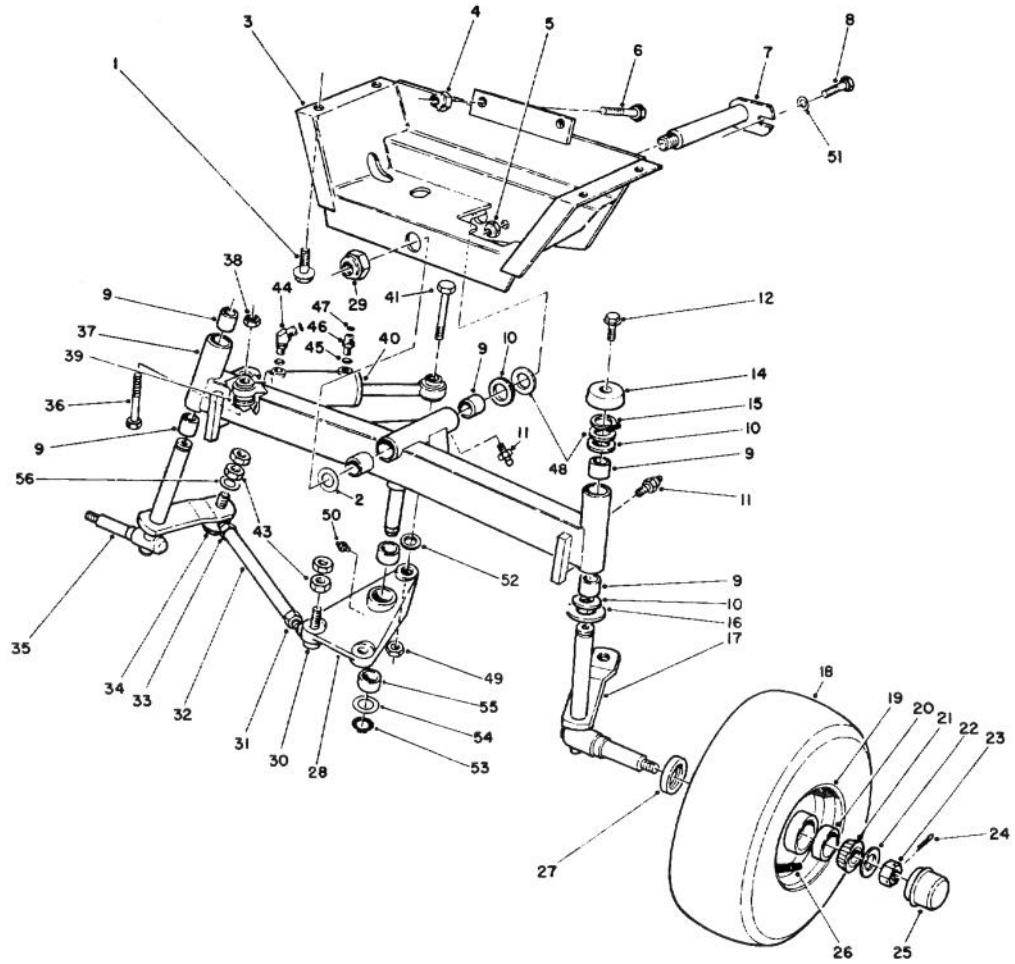
Ref. No.	Part No.	Description	No. Used
2	2412-133	R-Clamp	2



REAR AXLE ASSEMBLY

T-0540A

Ref. No.	Part No.	Description	No. Used
1	3234-25	Screw - Flange	4
2	71-4540	Washer - Thrust	1
3	63-6430	Frame - Rear	1
4	3296-25	Nut - Lock	2
5	3296-42	Nut - Lock	1
6	325-5	Screw - Cap Hex. Hd.	2
7	63-6770	Pin - Rear Axle	1
8	321-4	Screw - Cap Hex. Hd.	1
9	67-1750	Bushing	6
10	10-8110	Washer	5
11	302-5	Fitting - Grease	3
12	3234-13	Screw - Flange Hd.	2
14	66-2990	Cap - Spindle	2
15	32151-36	Ring - Retaining	2
16	256-121	Washer - Thrust	2
17	76-4510	Spindle - Wheel L.H.	1
18	231-105	Tire	2
19	217-118	Rim	2
20	254-72	Cup - Bearing	4
21	254-94	Cone - Bearing	4
22	3256-28	Washer - Flat	2
23	32136-5	Nut - Castle	2
24	3272-13	Pin - Cotter	2
25	241-119	Cap - Hub	2
26	232-35	Stem - Valve	2
27	253-129	Seal - Hub	2
28	76-4810	Pivot - Steering (Incl. Ref. #50 & 55)	1
29	3296-51	Nut - Lock	1
30	21-0151	Joint - Ball L.H.	2
31	3220-12	Nut - Jam L.H.	2
32	63-6880	Rod - Tie	2
33	3220-5	Nut - Jam R.H.	2
34	21-0141	Joint - Ball R.H.	2
35	76-4520	Spindle - Wheel R.H.	1
36	67-7300	Screw Hex Hd.	1
37	76-3000	Axle-Rear (Incl. Ref. #9 & 11)	1
38	32153-6	Nut - Hex Lock	1
39	67-7250	Spacer Cyl.	1
40	76-2070	Cylinder - Steering	1
41	328-25	Screw - Cap Hex. Hd.	1
43	3220-3	Nut - Jam	8
44	340-103	Fitting - 45° Elbow (Incl. Ref. #45 & 47)	1
45	237-78	Seal - O-Ring	2
46	340-92	Fitting - Straight	1
47	237-21	Seal - O-Ring	2
48	56-2460	Washer - Flat	A/R
49	32128-45	Nut - Flange Lock	1
50	302-62	Fitting - Grease	1
51	3256-22	Washer - Flat	1

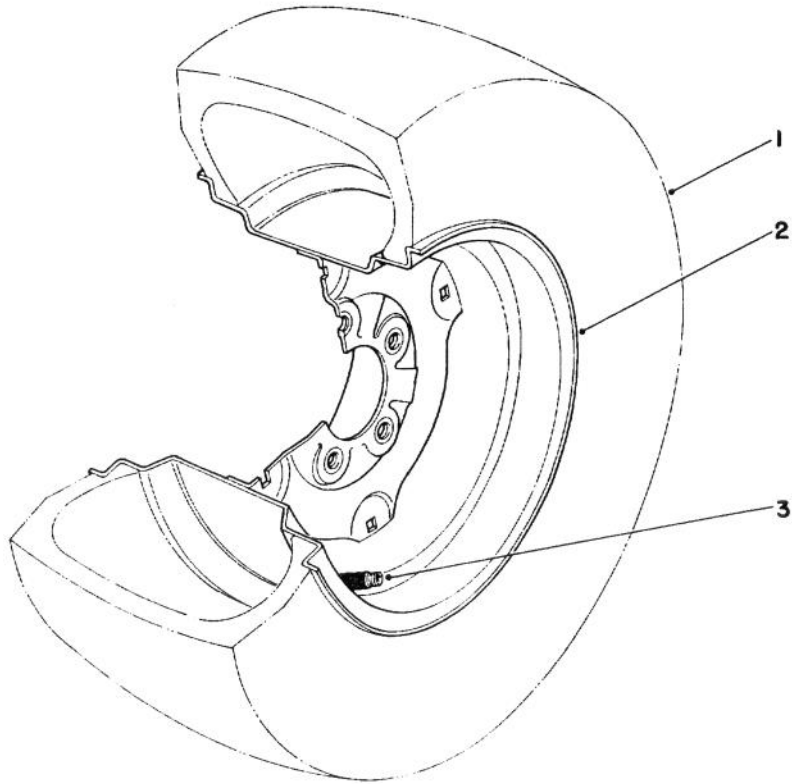


T-0540A

REAR AXLE ASSEMBLY (Continued)

Ref. No.	Part No.	Description	No. Used
52	67-9410	Washer - Flat	1
53	32151-77	Ring - Retaining	1
54	76-2980	Washer - Thrust	1

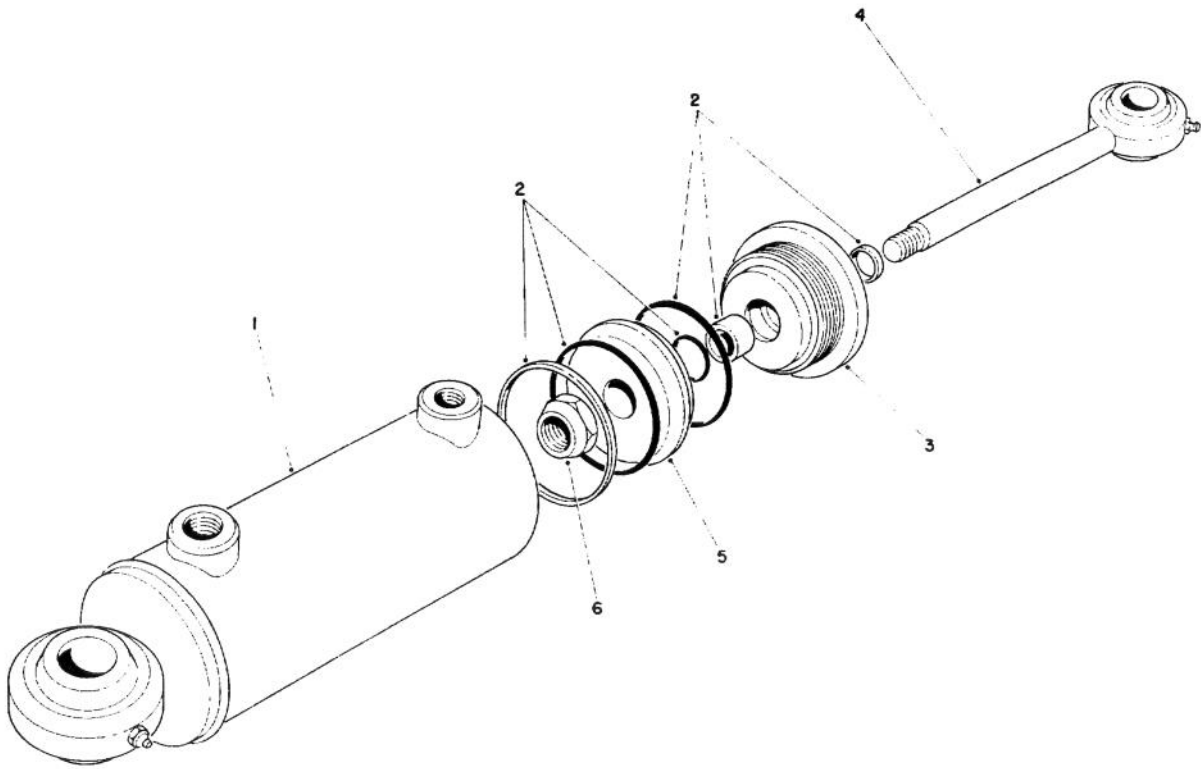
Ref. No.	Part No.	Description	No. Used
55	76-2970	Bushing	2
56	3256-24	Washer - Flat	2



T-0449

TIRE & WHEEL ASSEMBLY 23 X 10.5 X 12 NO. 62-7020 (Optional)

Ref. No.	Part No.	Description	No. Used	Ref. No.	Part No.	Description	No. Used
1	231-95	Tire	1	3	232-27	Valve Stem	1
2	217-116	Rim	1				

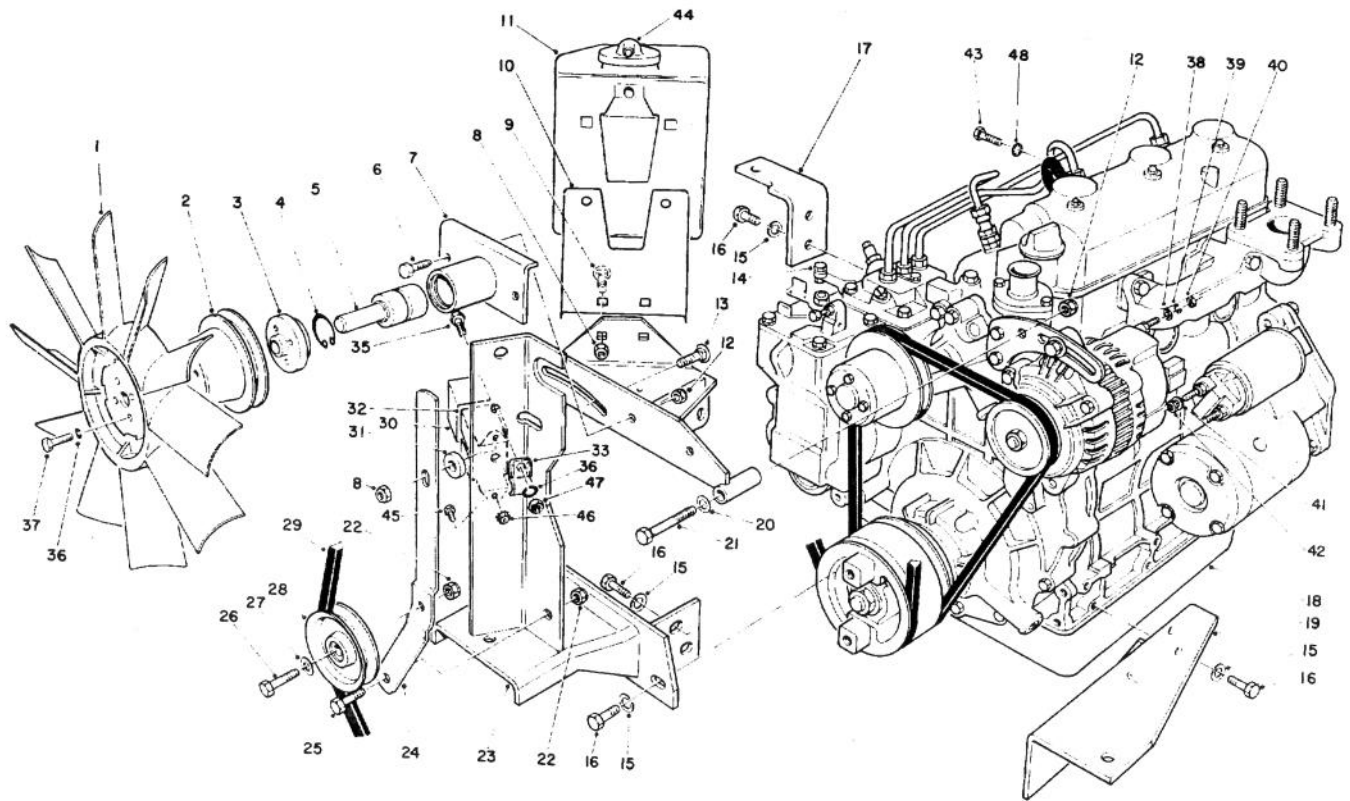


HYDRAULIC CYLINDER NO. 76-2070

T-0541

Ref. No.	Part No.	Description	No. Used
1	66-2770	Tube - Cylinder	1
2	76-2090	Kit - Seal	1
3	76-2790	Gland	1

Ref. No.	Part No.	Description	No. Used
4	76-2080	Assembly - Piston Rod	1
5	66-1940	Piston	1
6	66-1930	Nut - Lock	1

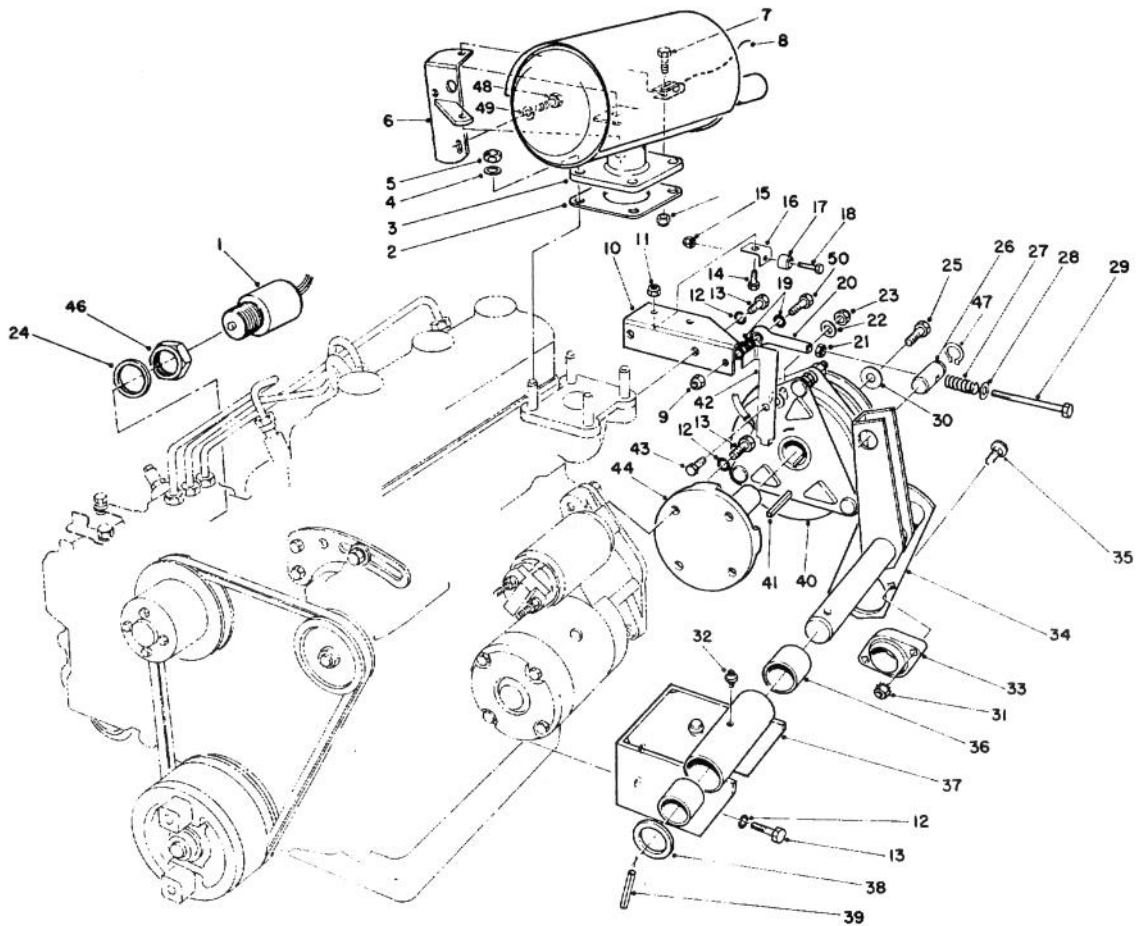


ENGINE ASSEMBLY

T-0542A

Ref. No.	Part No.	Description	No. Used
1	84-1880	Fan - Cooling	1
2	84-1890	Pulley - Fan	1
3	84-1930	Hub - Fan	1
4	32120-10	Ring - Retaining	1
5	36-7290	Shaft & Bearing	1
6	322-4	Screw	2
7	84-1940	Hub	1
8	32128-20	Nut - Flange	3
9	3230-23	Bolt - Carriage	2
10	66-2440	Plate - Reservoir	1
11	63-7380	Tank - Expansion (Incl Ref. #44)	1
12	3296-29	Nut - Lock	3
13	3230-2	Bolt - Carriage	1
14	63-6760	Swivel - Throttle Cable	1
15	48-9590	Washer - Lock	8
16	63-7790	Screw	8
17	71-2910	Angle - Engine Mount	1
18	75-0900	Engine	1
19	66-2320	Mount - Engine	1
20	3256-23	Washer - Flat	1
21	322-11	Screw - Cap Hex. Hd.	1
22	3296-39	Nut - Lock	2
23	84-1870	Bracket WA.	1
24	63-6720	Lever - Idler	1

Ref. No.	Part No.	Description	No. Used
25	323-6	Screw - Cap Hex. Hd.	1
26	323-8	Screw - Cap Hex. Hd.	1
27	3256-24	Washer - Flat	1
28	63-8140	Pulley	1
29	84-7720	Belt - Fan	1
30	70-8560	Retainer - Glow Plug	1
31	52-2340	Spacer	1
32	66-8700	Indicator - Glow (Incl. Ref. #30)	1
33	3-6657	Clip - Skid	1
35	321-4	Screw - Cap Hex. Hd.	1
36	3253-3	Washer - Lock	5
37	321-3	Screw - Cap Hex. Hd.	4
38	5-3637	Washer - Flat	1
39	43-5920	Washer - Lock	1
40	43-5970	Nut - Hex.	1
41	42-9850	Washer - Lock	2
42	57-6390	Nut - Hex.	2
43	48-7680	Screw - Hex.	1
44	71-1520	Cap - Reservoir	1
45	32105-8	Screw	2
46	32149-7	Nut - Keps	2
47	3217-5	Nut - Hex.	1
48	3254-2	Washer - Lock, Int. Tooth	1

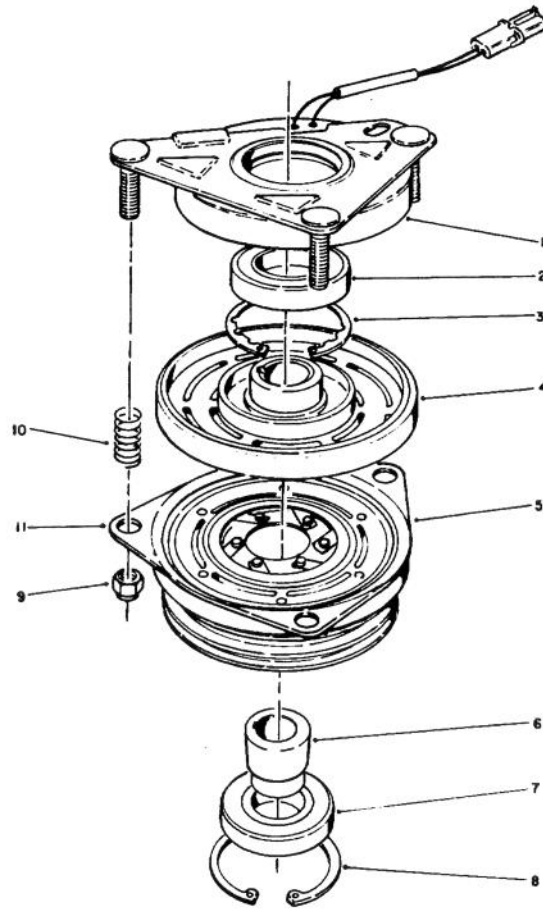


T-0543A

POWER TAKE OFF ASSEMBLY

Ref. No.	Part No.	Description	No. Used	Ref. No.	Part No.	Description	No. Used
1	63-7440	Solenoid - Stop	1	25	3212-5	Screw	1
2	53-8130	Gasket - Exhaust	1	26	63-6290	Pin - Tension	1
3	84-1910	Muffler	1	27	3-6624	Spring	1
*	75-6880	Spark Arrester Screen (Optional)		28	4-2390	Washer	1
4	42-9850	Washer - Lock	1	29	66-3100	Screw	1
5	48-7930	Nut - Hex.	4	30	67-1631	Spacer	1
6	66-2360	Support - Muffler	4	31	32149-1	Nut - Keps	2
7	322-5	Screw - Cap Hex. Hd.	1	32	302-5	Fitting - Grease	1
8	66-2870	Cable - Hood Stop	1	33	251-335	Bearing	1
9	3296-29	Nut - Lock	2	34	63-6250	Shaft - PTO Tension	1
10	63-6700	Bracket	1	35	3230-4	Bolt - Carriage	2
11	3296-42	Nut - Lock	2	36	256-299	Bushing	2
12	48-9590	Washer - Lock	10	37	67-1800	Pivot Plate (Incl. Ref. #32 & 36)	1
13	63-7790	Screw	2	38	3-4324	Washer	1
14	321-3	Screw - Cap Hex. Hd.	2	39	32121-32	Pin - Roll	1
15	3296-9	Nut - Lock	2	40	63-6050	Clutch - Electric	1
16	63-8230	Angle - Clutch Anchor	2	41	63-8150	Key	1
17	66-2910	Bumper - Rubber	2	42	63-6690	Lever - Clutch Anchor	1
18	3250-39	Screw - Pan Head	2	43	323-34	Screw - Cap Hex. Hd.	1
19	3256-23	Washer - Flat	4	44	63-6030	Hub - Clutch	1
20	66-2900	Tie Rod End	1	46	43-2750	Nut - Jam	1
21	3220-2	Nut - Jam	1	47	32151-83	Snap Ring	2
22	3256-24	Washer - Flat	2	48	66-3160	Screw	1
23	3296-59	Nut - Lock	1	49	3253-4	Washer - Lock	1
24	43-2740	Gasket	1	50	322-6	Screw - Cap Hex. Hd.	1

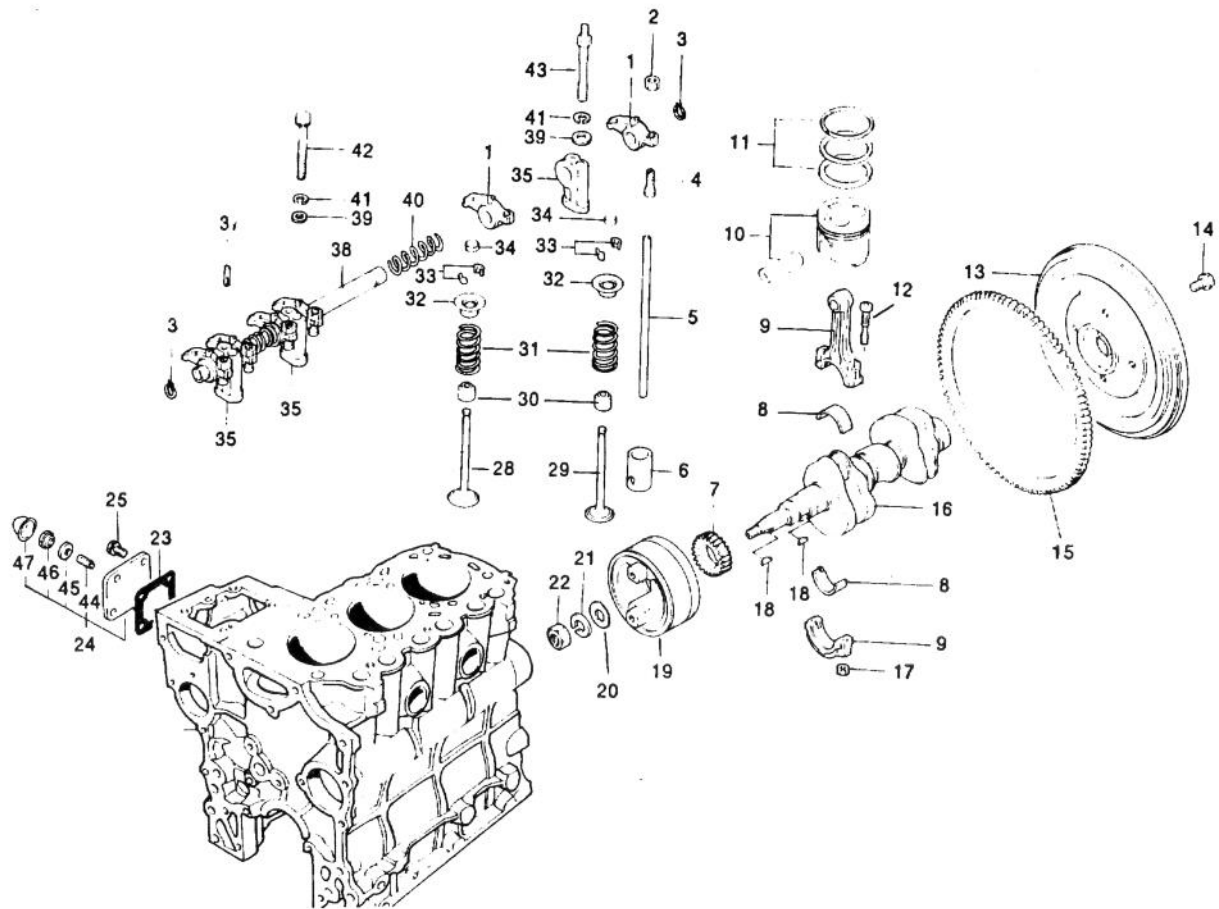
*Not Illustrated



T-0544

CLUTCH ASSEMBLY NO. 63-6050

Ref. No.	Part No.	Description	No. Used	Ref. No.	Part No.	Description	No. Used
1	67-7050	Field Rotor Assembly (Incl. Ref. #2-4)	1	6	67-7080	Collar - Bearing	1
2		Bearing - Field	1	7	67-7090	Bearing - Pulley	1
3		Ring - Retaining	1	8	67-7060	Ring - Retaining	1
4		Field Coil Assembly	1	9	3296-6	Nut - Lock	3
5	67-7070	Armature & Pulley Assembly (Incl. Ref. #6-8)	1	10	44-8320	Spring	3
				11	67-7100	Plate - Brake	1



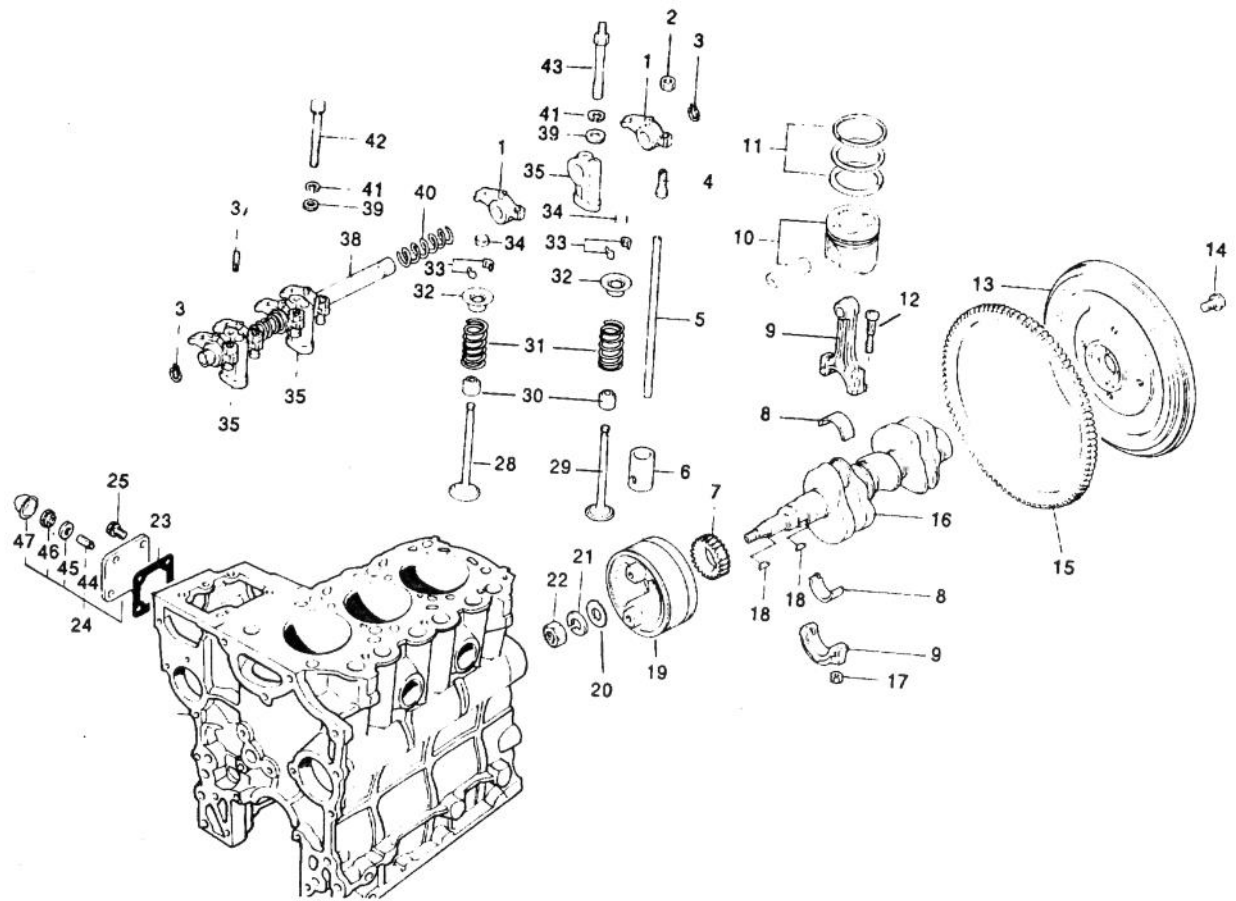
T-0565

VALVES AND CRANKSHAFT ASSEMBLY

Ref. No.	Part No.	Description	No. Used
1	67-3160	Arm-Rocker	6
2	67-3230	Nut - Jam	6
3	67-3240	Snap Ring	2
4	67-3210	Screw - Adjusting	6
5	67-3150	Rod-Push	6
6	67-3120	Tappet	6
7	67-2910	Gear	1
8	75-5010	Bearing Set STD	3
*	67-2890	Bearing Set 0.25 mm US	3
*	67-2900	Bearing Set 0.50 mm US	3
9	67-2850	Rod Assembly-Connecting (Incl. Ref. #12 & 17)	3
10	75-5080	Piston & Pin Set STD	3
*	75-5090	Piston & Pin Set 0.25 mm OS	3
*	75-5100	Piston & Pin Set 0.50 mm OS	3
11	75-5050	Ring Set STD	3
*	75-5060	Ring Set 0.25 mm OS	3
*	75-5070	Ring Set 0.50 mm OS	3
12	67-2860	Bolt	6
13	67-2970	Flywheel Assembly (Incl. Ref. #14)	1

Ref. No.	Part No.	Description	No. Used
14	67-2990	Bolt	4
15	67-2980	Gear - Ring	1
16	67-2920	Crankshaft	1
17	42-9590	Nut	6
18	56-0480	Key - Woodruff	2
19	67-2930	Pulley - Crankshaft	1
20	67-2950	Washer	1
21	67-2960	Washer - Lock	1
22	67-2940	Nut - Jam	1
23	67-4310	Gasket	1
24	75-5110	Cover Assy. (Incl. Ref. #44-47)	1
25	42-9440	Bolt W/Washer	4
28	67-3130	Valve - Intake	3
29	67-3140	Valve - Exhaust	3
30	42-7870	Seal	6
31	67-3110	Spring	6
32	67-3100	Retainer	6
33	42-7860	Lock	12
34	67-3180	Cap	6
35	67-3200	Stay - Rocker	3
37	67-3220	Pin	1
38	67-3190	Rocker Shaft Assembly	1

*Not Illustrated

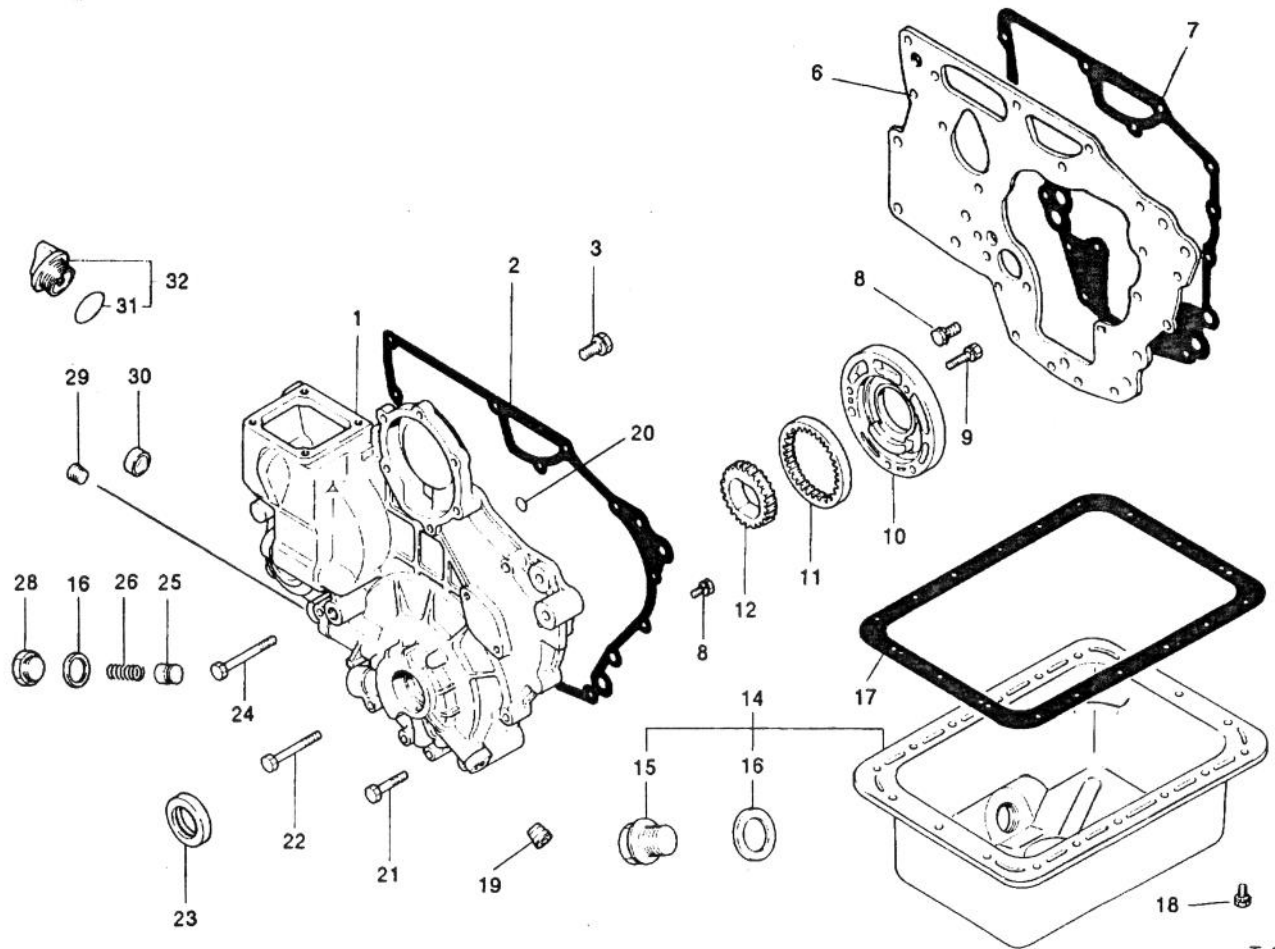


VALVES AND CRANKSHAFT ASSEMBLY (Continued)

T-0565

Ref. No.	Part No.	Description	No. Used
39	42-9660	Washer	3
40	67-3170	Spring	2
41	67-3260	Washer	3
42	42-9510	Bolt	1
43	67-3250	Bolt-Rocker Stay	2

Ref. No.	Part No.	Description	No. Used
44	43-3160	Screw - Adjusting	1
45	75-5120	Gasket	1
46	43-5960	Nut - Special	1
47	43-2820	Cap - Sealing	1



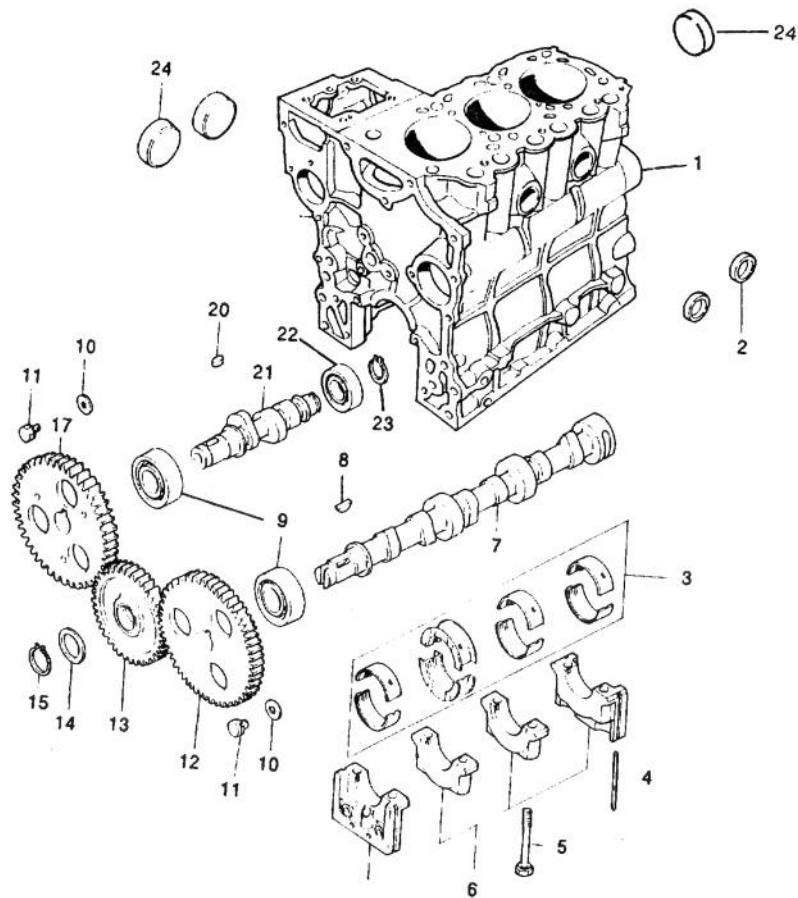
T-0567

CRANKCASE ASSEMBLY

Ref. No.	Part No.	Description	No. Used
1	75-4920	Case	1
2	67-2580	Gasket - Case	1
3	67-2340	Bolt W/Washer	3
6	67-2310	Plate - Front	1
7	67-2320	Gasket - Plate	1
8	42-9440	Bolt W/Washer	11
9	67-2560	Bolt W/Washer	3
10	67-2550	Housing - Oil Pump	1
11	67-2540	Gear - Outer	1
12	67-2530	Gear - Inner	1
14	75-4910	Oil Pan Assembly (Incl. Ref. #15-16)	1
15	42-9260	Plug - Drain	1
16	42-7290	Gasket - Drain	2
17	67-2480	Gasket - Oil Pan	1
18	42-9490	Bolt W/Washer	18

Ref. No.	Part No.	Description	No. Used
19	42-7210	Plug-Taper	1
20	67-2630	Seal - O-Ring	2
21	67-2600	Bolt	3
22	67-2610	Bolt	4
23	67-2590	Seal - Oil	1
24	67-2620	Bolt	1
25	67-2500	Plunger - Relief	1
26	67-2510	Spring - Relief	1
28	67-2520	Plug	1
29	67-2570	Plug - Taper	1
30	67-2640	Cap	1
31	67-2660	Seal - O-Ring	1
32	67-2650	Oil Fill Cap Assembly (Incl. Ref. #31)	1
*	75-5040	Gasket Kit (Incl. Ref. #2, 7, 16 & 17)	1

*Not Illustrated



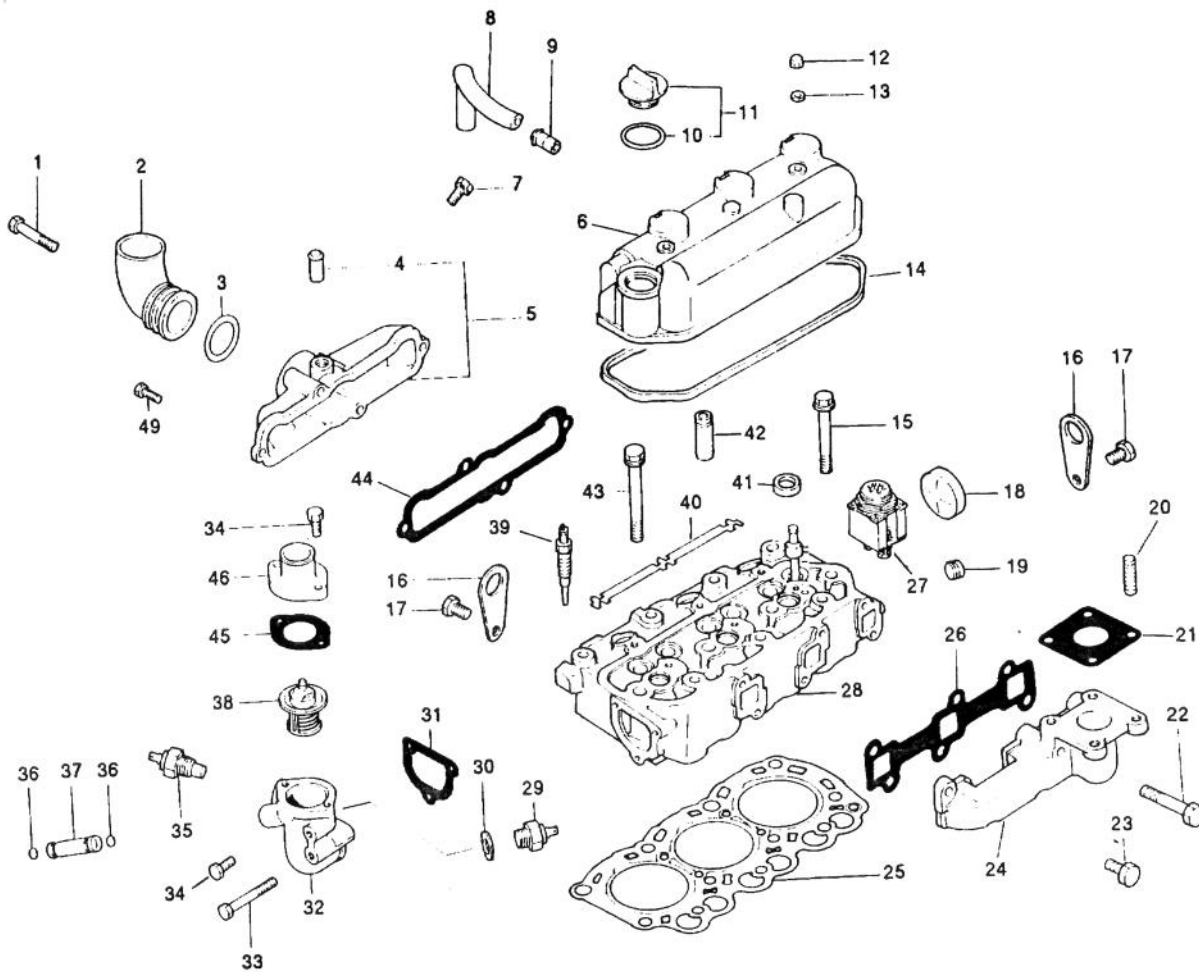
CAMSHAFT ASSEMBLY

T-0564

Ref. No.	Part No.	Description	No. Used
1	75-4960	Block Assembly (Incl. Ref. #2, 5, 6 & 24)	1
2	42-7080	Cap	2
3	75-4900	Bearing Set STD	1
*	67-2410	Bearing Set 0.25 mm US	1
*	67-2420	Bearing Set 0.50 mm US	1
4	67-2200	Seal	4
5	67-2250	Bolt	8
6		Cap Assembly	1
7	67-3010	Cam Shaft	1
8	56-0480	Key - Woodruff	1
9	67-3030	Bearing	2

Ref. No.	Part No.	Description	No. Used
10	67-3000	Washer	2
11	42-9490	Bolt W/Washer	2
12	67-3020	Gear	1
13	67-3090	Gear Assembly	1
14	67-3040	Plate	1
15	56-1060	Snap Ring	1
17	67-3070	Gear	1
20	42-7840	Key	1
21	67-3060	Shaft	1
22	67-3050	Bearing	1
23	67-3080	Snap Ring	1
24	56-0020	Plug	3

*Not illustrated

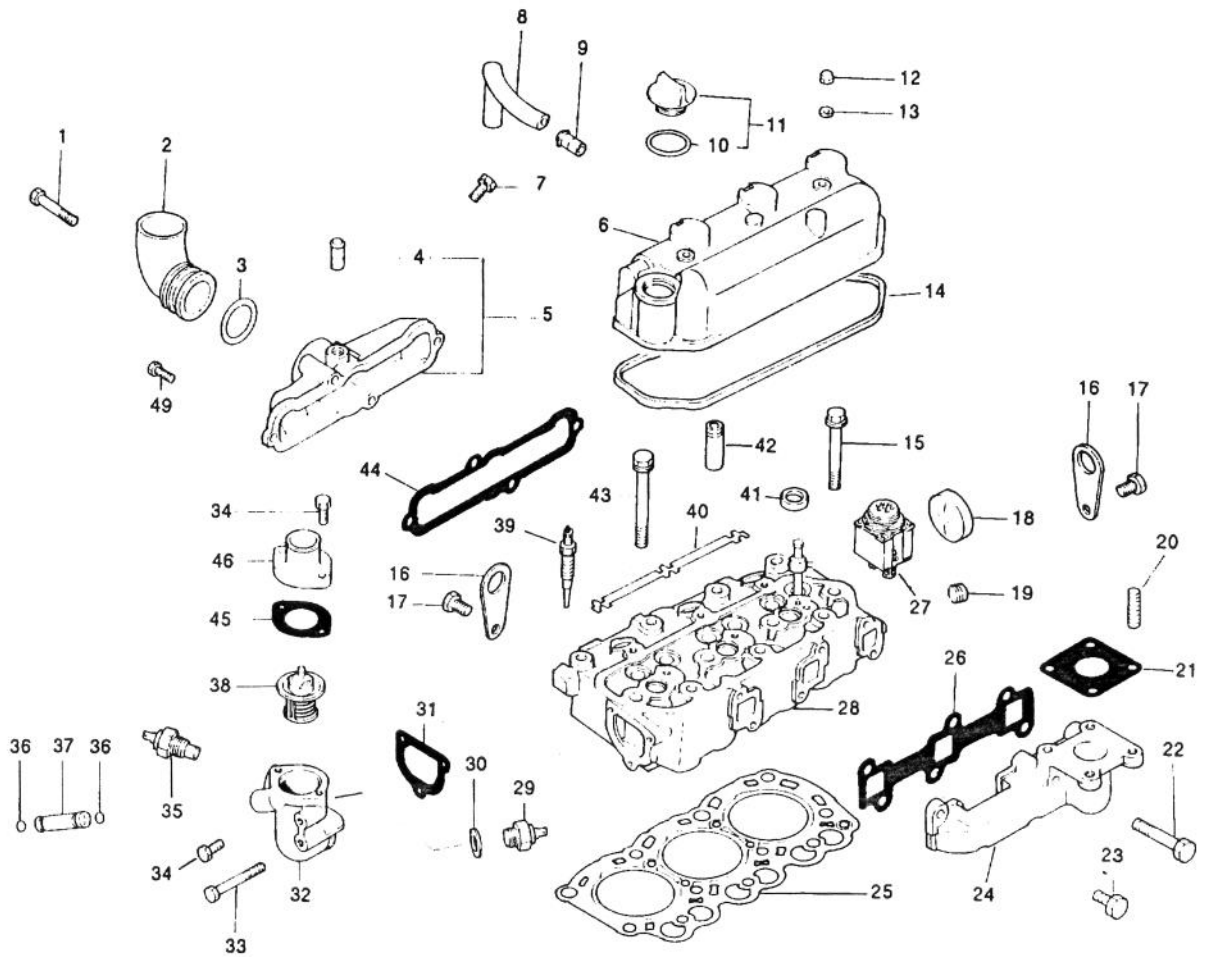


T-0566

CYLINDER HEAD ASSEMBLY

Ref. No.	Part No.	Description	No. Used
1	67-4400	Bolt	2
2	67-4520	Pipe	1
3	67-4540	Seal - O-Ring	1
4	42-7510	Pipe	1
5	67-4530	Cover - Intake	1
6	67-2750	Cover Assembly (Incl. Ref. #9)	1
7	42-9430	Bolt W/Washer	1
8	67-2670	Hose - Breather	1
9	42-7510	Pipe	1
10	67-2660	Seal - O-Ring	1
11	67-2650	Cap - Oil Filler	1
12	67-2770	Nut - Cap	2
13	67-2780	Washer	2
14	67-2760	Gasket	1
15	67-2740	Bolt - Flange	3
16	67-2680	Hanger -Engine	2
17	67-2340	Bolt W/Washer	4
18	56-0020	Plug - Expansion	1
19	67-2570	Plug - Taper	1
20	42-9570	Stud	4
21	42-9110	Gasket	1
22	67-4580	Bolt	2

Ref. No.	Part No.	Description	No. Used
23	67-4590	Bolt	4
24	67-4560	Manifold - Exhaust	1
25	75-4950	Gasket - Cylinder Head	1
26	67-4570	Gasket - Exhaust Manifold	1
27	67-4700	Lamp - Glow	1
28	75-4930	Cylinder Head Assembly (Incl. Ref. #18, 41 & 42)	1
29	67-4500	Switch - Thermo	1
30	67-4490	Gasket	1
31	67-4460	Gasket - Switch	1
32	67-4450	Fitting - Thermostat	1
33	67-4470	Bolt	1
34	67-2330	Bolt	4
35	67-4510	Gauge Nut - Temperature	1
36	43-2710	Seal - O-Ring	2
37	67-4480	Pipe - By-Pass	1
38	67-4440	Thermostat	1
39	67-4680	Plug - Glow	3
40	67-4690	Plate - Glow Plug	1
41	67-2710	Cap - Sealing	3
42	67-2700	Guide - Valve	6
43	67-2730	Bolt	8
44	67-4550	Gasket-Intake Manifold	1

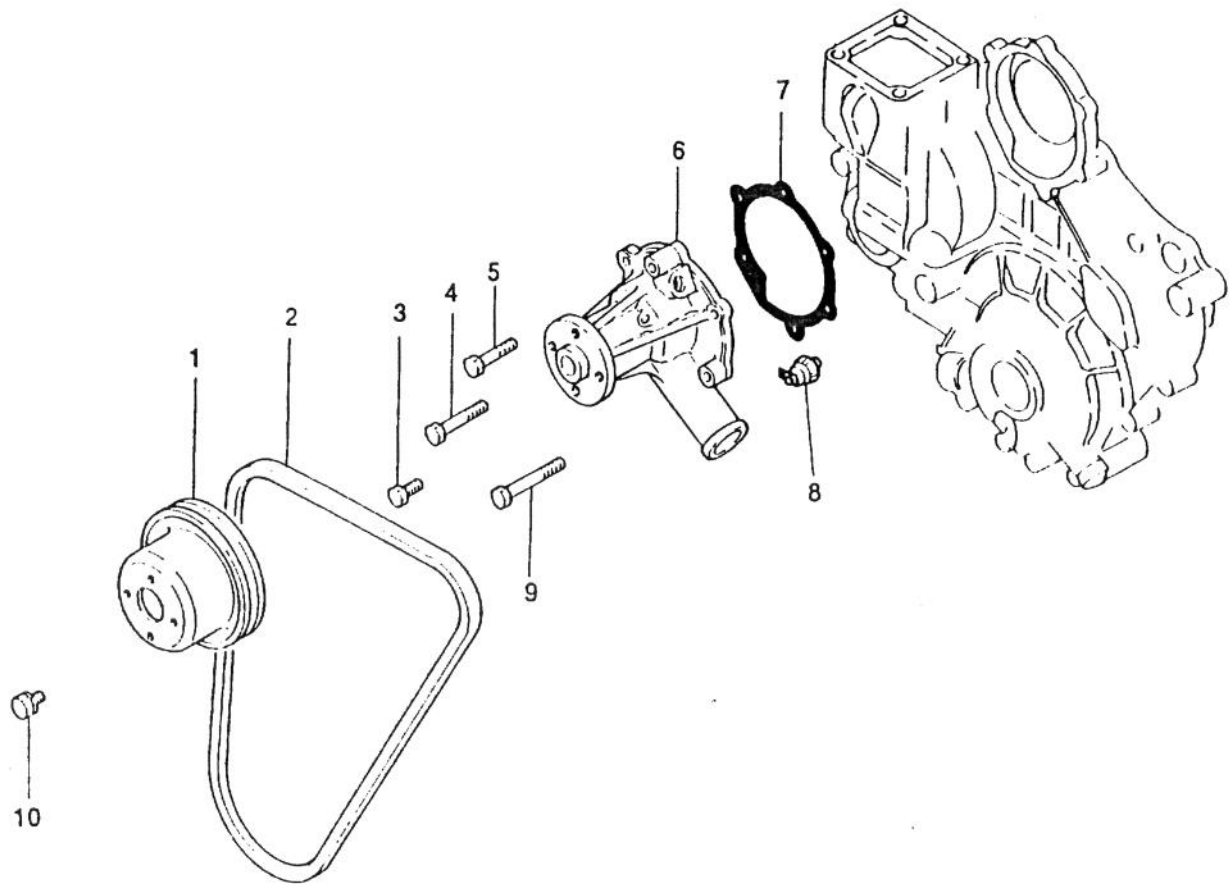


CYLINDER HEAD ASSEMBLY (Continued)

T-0566

Ref. No.	Part No.	Description	No. Used
45	67-4430	Gasket - Fitting	1
46	67-4420	Fitting - Water	1

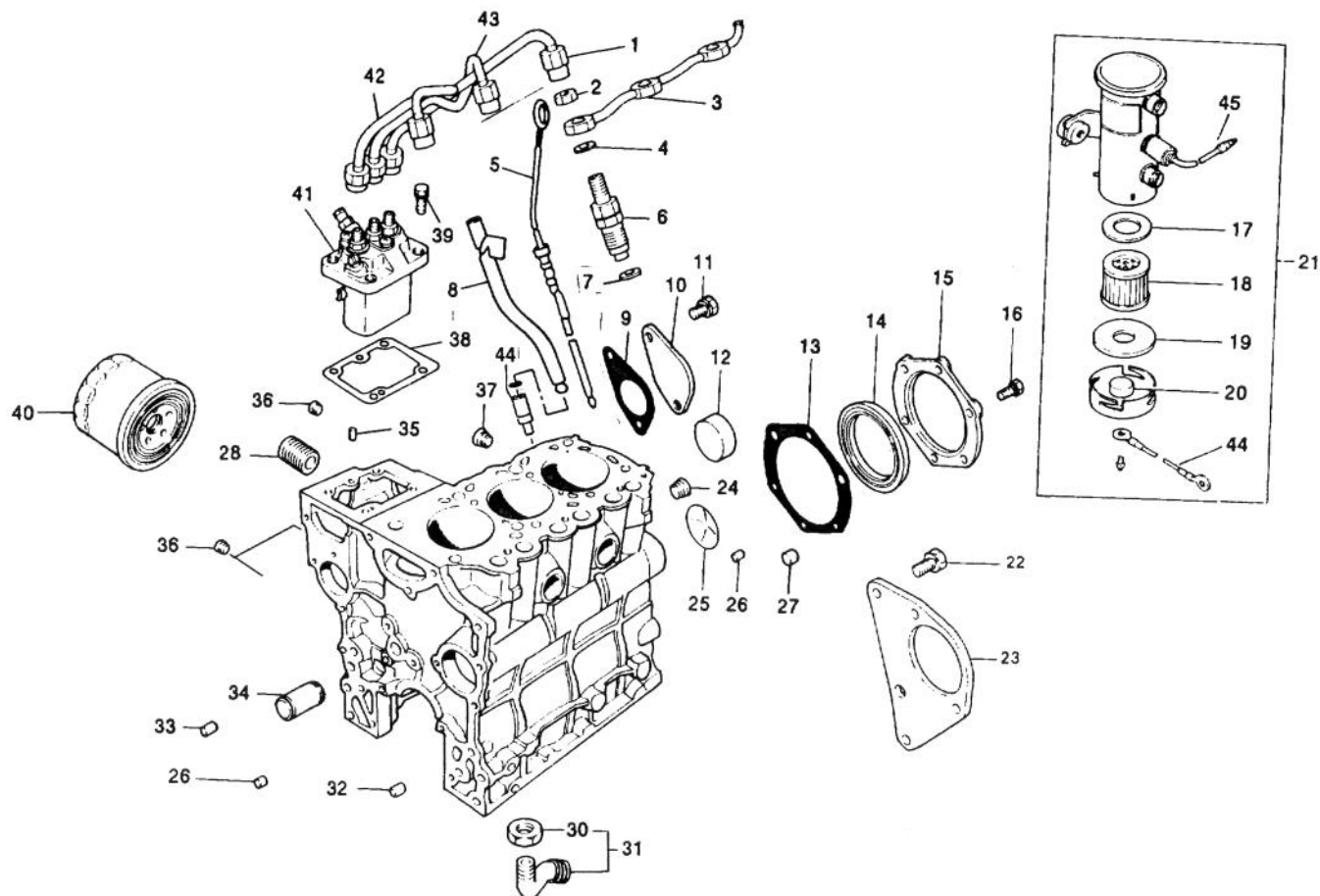
Ref. No.	Part No.	Description	No. Used
49	67-2330	Bolt	2



T-0568

WATER PUMP ASSEMBLY

Ref. No.	Part No.	Description	No. Used	Ref. No.	Part No.	Description	No. Used
1	67-4360	Pulley - Water Pump	1	6	67-4380	Water Pump Assembly	1
2	67-4410	V-Belt	1	7	67-4390	Gasket - Water Pump	1
3	67-2330	Bolt	2	8	67-4350	Switch - Oil Pressure	1
4	67-4400	Bolt	1	9	67-2610	Bolt	2
5	67-2600	Bolt	1	10	42-9490	Bolt W/Washer	4



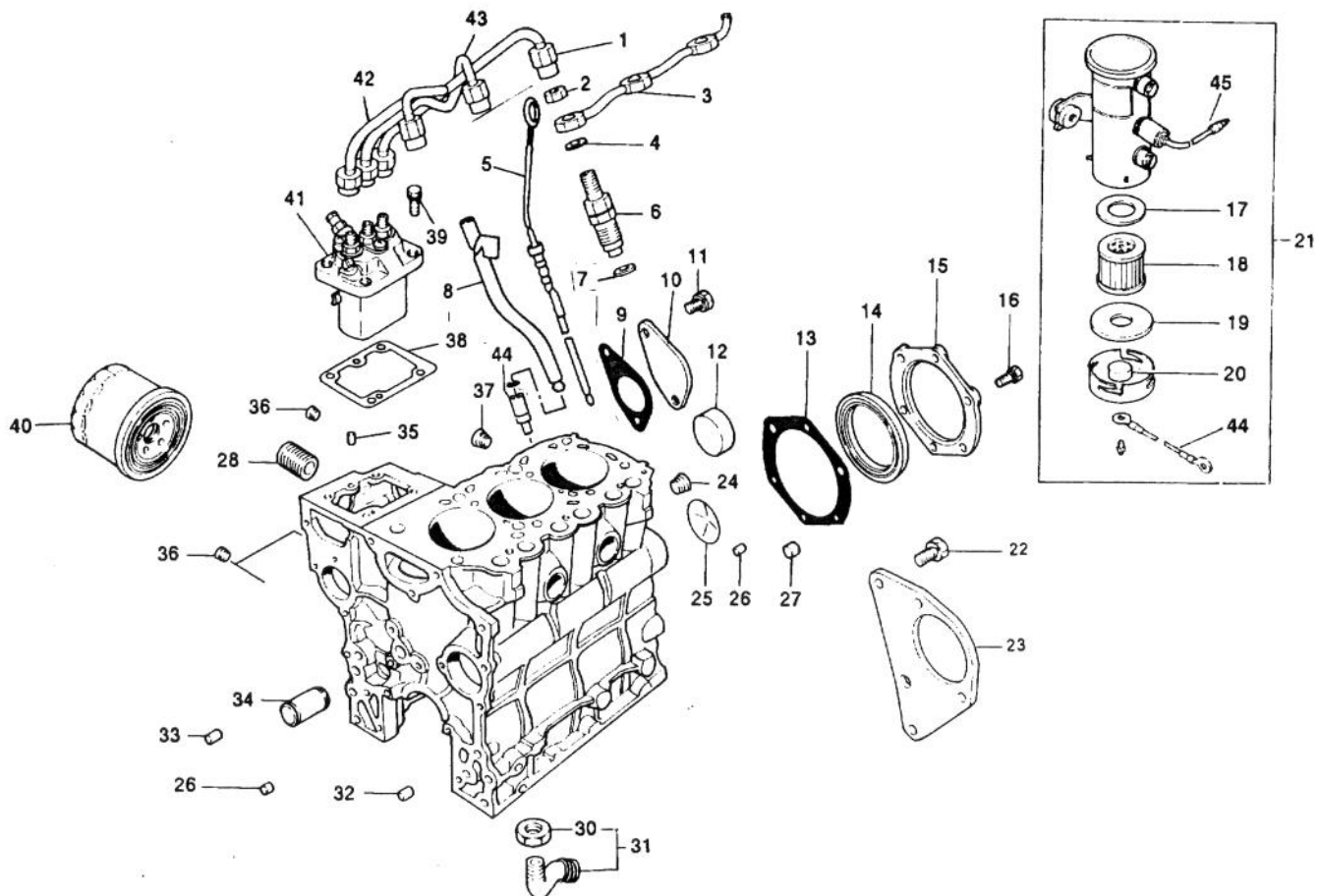
T-0569

FUEL SUPPLY & ENGINE BLOCK ASSEMBLY

Ref. No.	Part No.	Description	No. Used
1	67-3420	Pipe Assy. No. 3	1
2	67-3430	Nut	3
3	70-8700	Pipe - Fuel Return	1
4	67-3440	Gasket	3
5	70-8880	Dipstick	1
6	67-3380	Nozzle & Holder Assembly	1
7	67-3390	Gasket - Nozzle Holder	3
8	70-8870	Guide - Oil Level	1
9	67-2300	Gasket	1
10	67-2290	Cover	1
11	67-2340	Bolt W/Washer	2
12	56-0020	Plug-Expansion	3
13	67-2280	Gasket-Seal, Oil	1
14	67-2230	Seal-Oil	1
15	67-2270	Case - Oil Seal	1
16	67-2330	Bolt	6
17	43-2570	Gasket-Coil Side	1
18	43-2550	Filter	1
19	43-2560	Gasket - Side Cover	1
20	43-2580	Magnet	1
21	53-8150	Pump Assembly (Incl. Ref. #17-20)	1

Ref. No.	Part No.	Description	No. Used
22	67-2440	Bolt W/Washer	3
23	67-2430	Bracket - Starter	1
24	67-2390	Plug - Taper	1
25	67-2350	Plug - Expansion	1
26	67-2360	Bushing - Knock	2
27	67-2380	Bushing - Knock	3
28	56-1230	Shaft - Oil Filter	1
30	42-9650	Nut - Jam	1
31	67-4340	Screen Assembly (Incl. Ref. #30)	1
32	67-2370	Bushing - Knock	1
33	42-7190	Bushing - Knock	2
34	67-2260	Shaft-Idler	1
35	56-0220	Pin - Dowel	2
36	67-2210	Plug - Taper	3
37	56-0100	Plug - Taper	1
38	67-3280	Shim 0.2 mm	1
*	67-3290	Shim 0.3 mm	1
*	67-3300	Shim 0.5 mm	1
*	67-3310	Shim 0.4 mm	1
*	67-3320	Shim 0.6 mm	1

*Not Illustrated



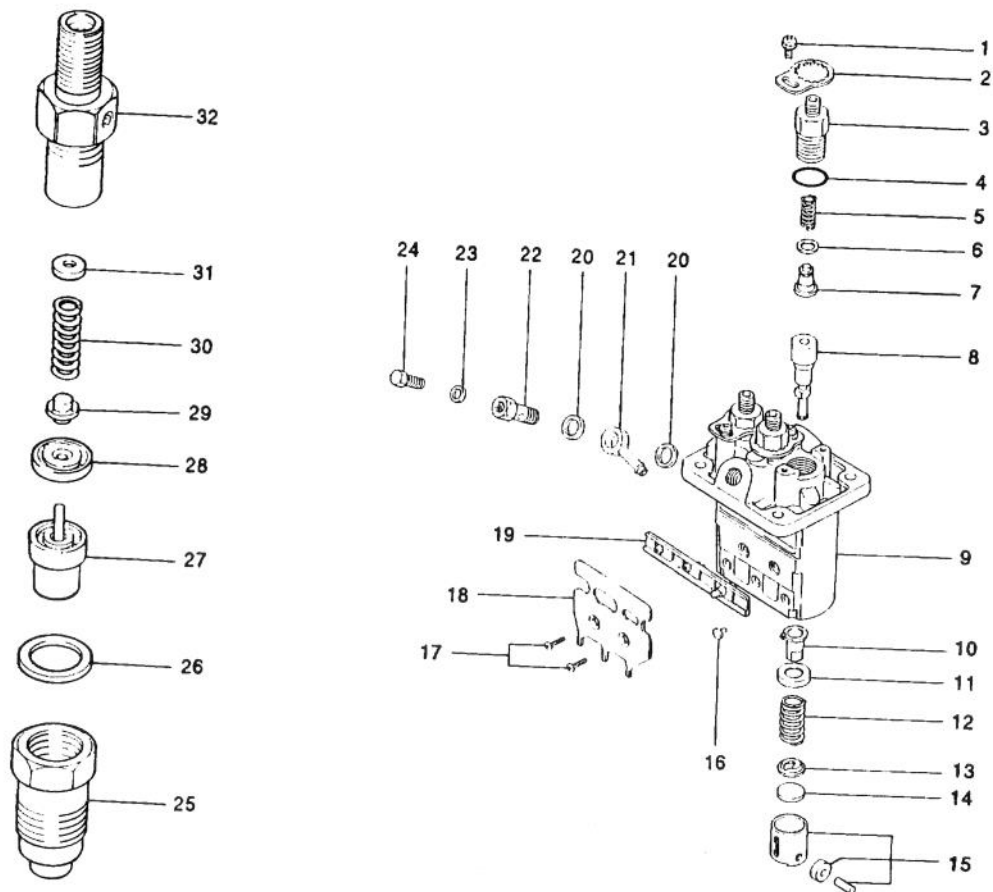
T-0569

FUEL SUPPLY & ENGINE BLOCK ASSEMBLY (Continued)

Ref. No.	Part No.	Description	No. Used
38	67-3330	Shim 0.7 mm	1
*	67-3340	Shim 0.8 mm	1
*	67-3350	Shim 0.9 mm	1
*	67-3360	Shim 1.0 mm	1
39	67-3370	Bolt W/Washer	4

Ref. No.	Part No.	Description	No. Used
40	67-4330	Oil Filter Assembly	1
41	75-5020	Injector Pump Assembly	1
42	67-3400	Pipe Assy. No. 1	1
43	67-3410	Pipe Assy. No. 2	1
44	82-8110	Retainer - Oil Guide	1

*Not Illustrated



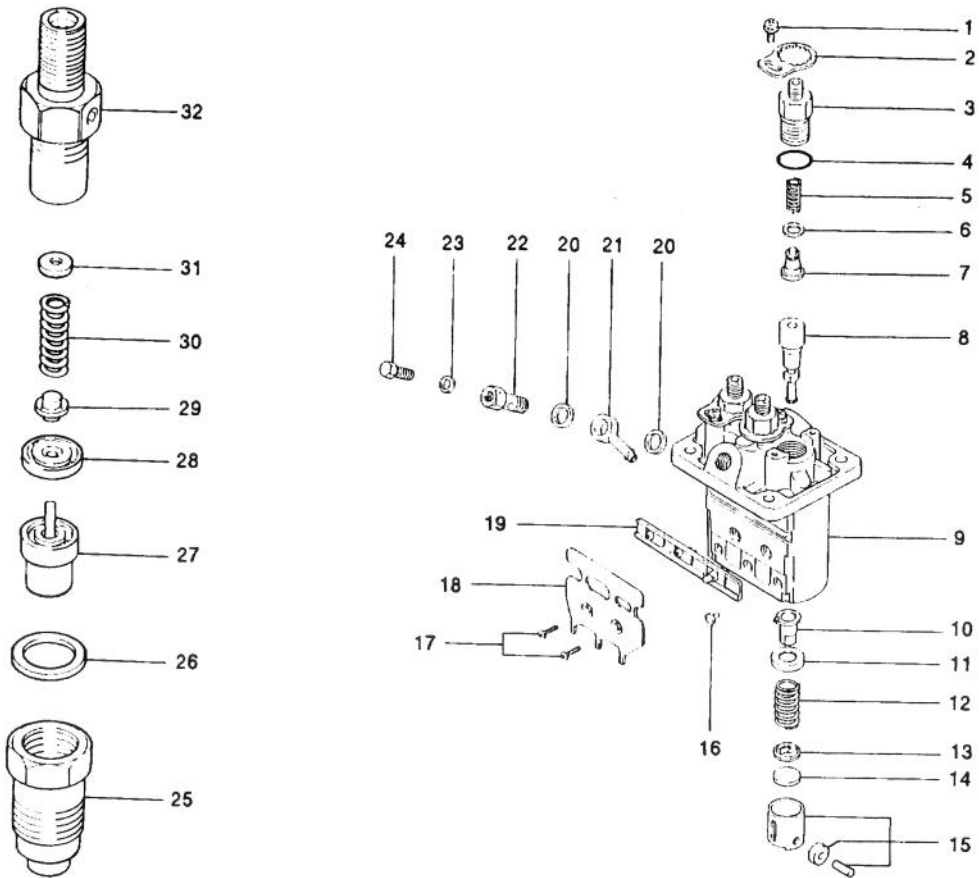
FUEL INJECTION PUMP ASSEMBLY

T-0570

Ref. No.	Part No.	Description	No. Used
1	67-3770	Screw W/Washer	3
2	67-3760	Plate - Lock	3
3	67-3740	Holder-Delivery Valve	3
4	67-3480	Seal - O-Ring	3
5	67-3490	Spring	3
6	42-8240	Gasket	3
7	67-3500	Valve	3
8	75-4970	Element	3
9	67-3460	Housing-Pump	1
10	67-3520	Sleeve	3
11	67-3530	Seat - Spring Upper	3
12	67-3540	Spring	3
13	67-3550	Seat - Spring Lower	3
14	67-3560	Plate - Shim 1.85 mm	1
*	67-3570	Plate - Shim 1.9 mm	1
*	67-3580	Plate - Shim 1.95 mm	1
*	67-3590	Plate - Shim 2.0 mm	1
*	67-3600	Plate - Shim 2.05 mm	1
*	67-3610	Plate - Shim 2.1 mm	1
*	67-3620	Plate - Shim 2.15 mm	1
*	67-3630	Plate - Shim 2.2 mm	1
*	67-3640	Plate - Shim 2.25 mm	1

Ref. No.	Part No.	Description	No. Used
14	67-3650	Plate - Shim 2.3 mm	1
*	67-3660	Plate - Shim 2.35 mm	1
*	67-3670	Plate - Shim 2.4 mm	1
*	67-3680	Plate - Shim 2.45 mm	1
*	67-3690	Plate - Shim 2.5 mm	1
15	67-3700	Tappet	3
16	67-3810	Pin - Tappet Guide	3
17	67-3790	Screw	2
18	67-3800	Bracket - Wire Stop	1
19	67-3780	Rack	1
20	67-3750	Washer	2
21	67-3740	Nipple - Swivel	1
22	67-3730	Screw	1
23	67-3720	Washer	1
24	67-3710	Screw - Air Bleed	1
25	67-3970	Nut - Retaining	3
26	67-3980	Gasket	3
27	67-3960	Nozzle	3
28	67-3950	Piece - Distance	3
29	67-3940	Pin - Pressure	3
30	67-3930	Spring	3
31	67-3830	Washer 1.25 mm	1

*Not Illustrated



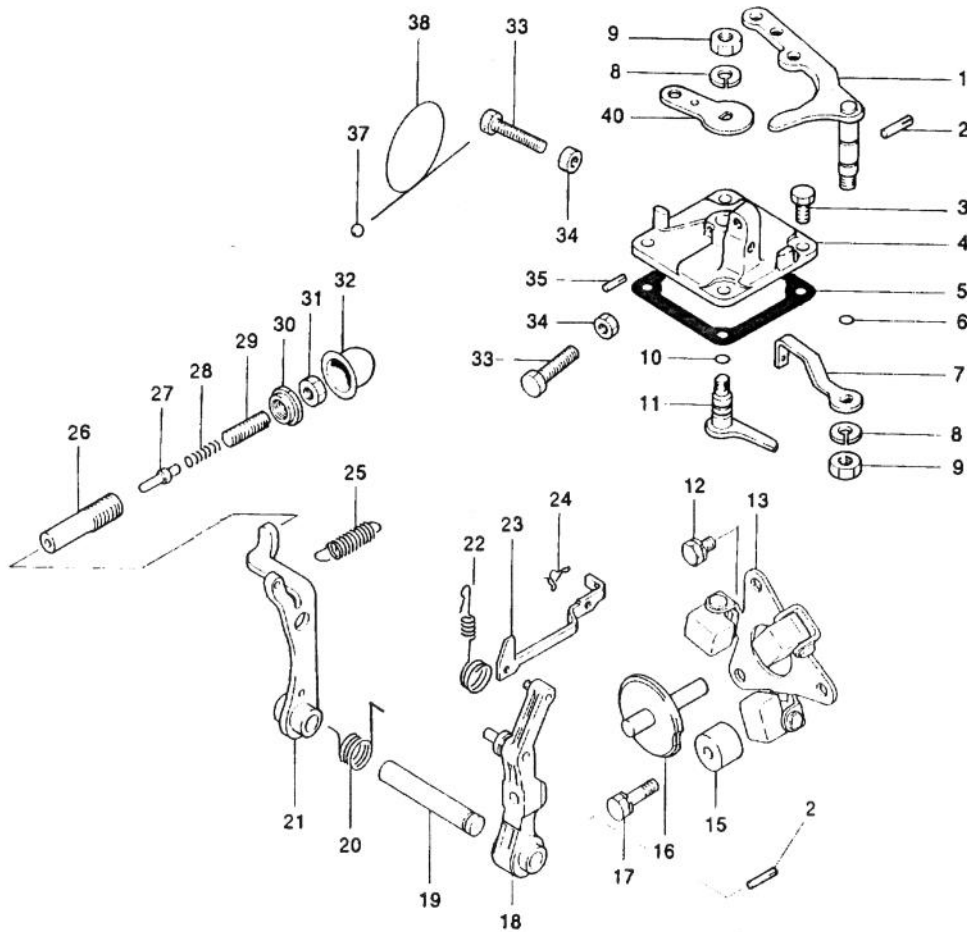
T-0570

FUEL INJECTION PUMP ASSEMBLY (Continued)

Ref. No.	Part No.	Description	No. Used
31	67-3840	Washer 1.3 mm	1
*	67-3850	Washer 1.35 mm	1
*	67-3860	Washer 1.4 mm	1
*	67-3870	Washer 1.45 mm	1
*	67-3880	Washer 1.5 mm	1
*	67-3890	Washer 1.55 mm	1
*	67-3900	Washer 1.6 mm	1

Ref. No.	Part No.	Description	No. Used
31	67-3910	Washer 1.65 mm	1
*	67-3920	Washer 1.7 mm	1
32	75-5000	Body	3
*	53-8150	Pump Assembly (Incl. Ref. 21-24)	1
*	67-3380	Nozzle and Holder Assembly (Incl. Ref. #25-32)	3

*Not Illustrated



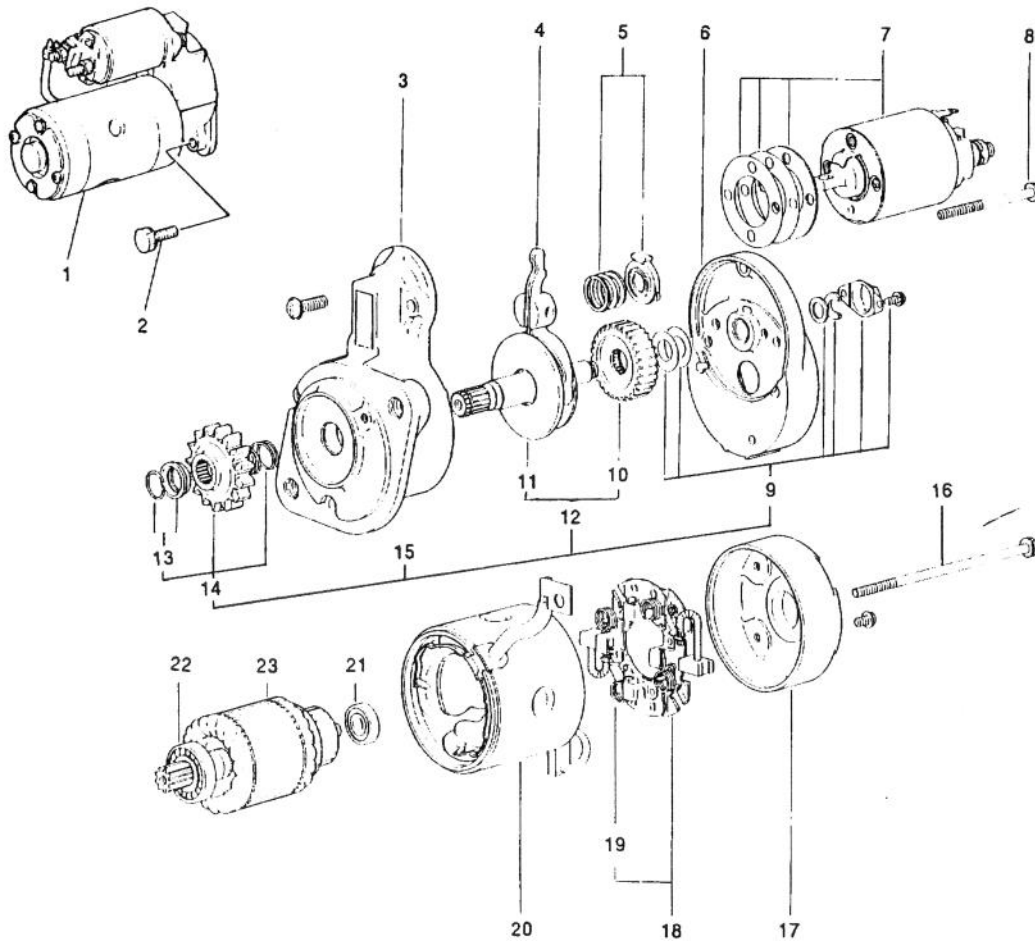
T-0571

GOVERNOR ASSEMBLY

Ref. No.	Part No.	Description	No. Used
1	67-3990	Lever - Speed Control	1
2	67-4000	Pin	2
3	67-4270	Bolt	4
4	67-4130	Cover - Governor	1
5	67-4160	Gasket	1
6	42-8830	Seal - O-Ring	1
7	75-4980	Lever - Governor Spring	1
8	67-3260	Washer	2
9	42-9640	Nut - Jam	2
10	42-8830	Seal - O-Ring	1
11	67-4140	Lever - Stop	1
12	42-9430	Bolt W/Washer	2
13	67-4040	Weight Assembly	1
15	67-4010	Stopper	1
16	67-4070	Shaft - Sliding	1
17	67-4280	Bolt W/Washer	1
18	67-4060	Lever - Governor	1
19	67-4050	Shaft - Governor	1
20	67-5040	Spring	1
21	67-4090	Lever - Tension	1
22	70-8720	Spring - Tie Rod	1

Ref. No.	Part No.	Description	No. Used
23	67-4030	Rod - Tie	1
24	67-4080	Clip	1
25	75-4990	Spring - Governor	1
26	67-4210	Case - Torque Spring	1
27	67-4230	Stopper	1
28	67-4190	Spring - Torque	1
29	67-4220	Screw - Adjusting	1
30	67-4200	Nut - Special	1
31	67-4180	Nut	1
32	43-2820	Cap - Sealing Torque Set	1
33	42-9420	Bolt - Speed Set	4
34	67-4290	Nut	4
35	67-4120	Pin - Grooved	1
37	42-8690	Metal - Sealing	1
38	42-8700	Wire	1
40	67-4150	Lever - Stop	1
*	67-4110	Cover Assembly (Incl. Ref. #4, 8-11, 35 & 40)	1
*	67-4170	Spring Set (Incl. Ref. #26-31)	1

*Not Illustrated

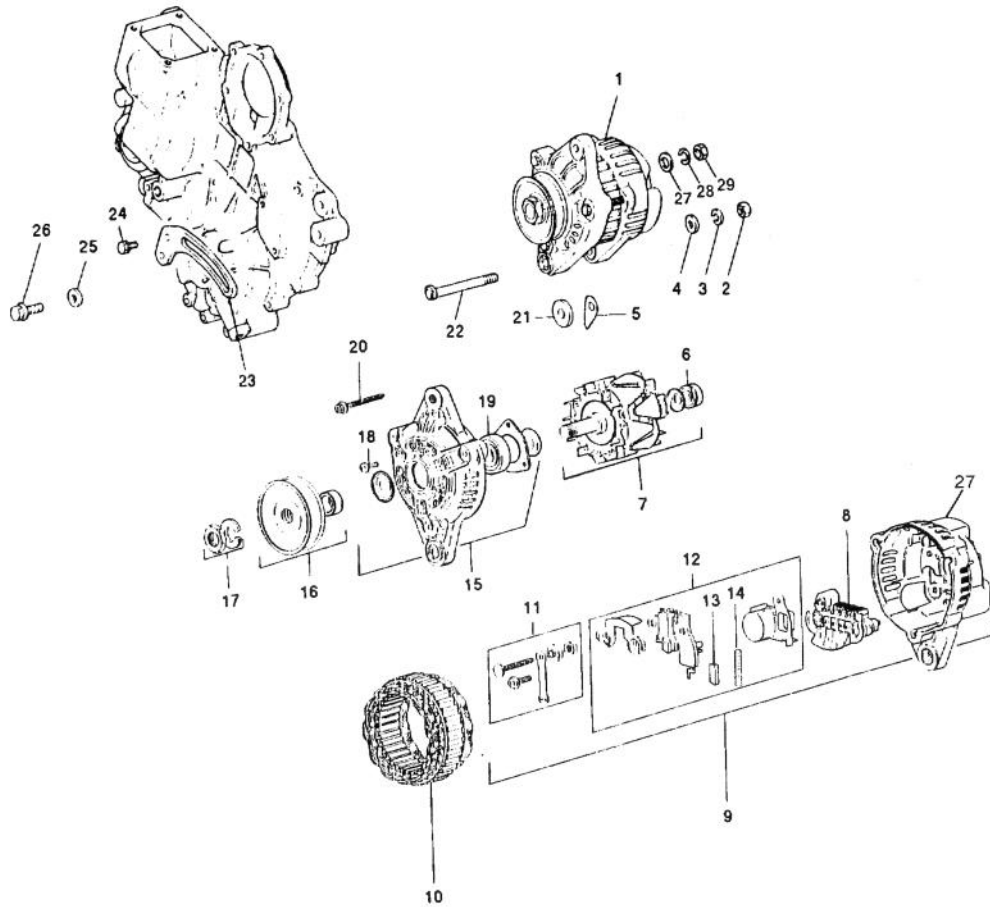


T-0572

STARTER ASSEMBLY

Ref. No.	Part No.	Description	No. Used
1	70-8760	Starter Assembly (Incl. Ref. #3-23)	1
2	67-4610	Bolt W/Washer	2
3	70-8770	Bracket - Front	1
4	67-4720	Lever	1
5	67-4730	Spring Set	1
6	70-8780	Bracket - Center	1
7	67-4750	Switch	1
8	56-1570	Bolt Set	1
9	56-1680	Cover Set	1
10	56-1670	Gear	1
11	67-4790	Shaft	1
12	67-4780	Gear Set (Incl. Ref. #10 & 11)	1
13	56-1640	Stopper Set	1

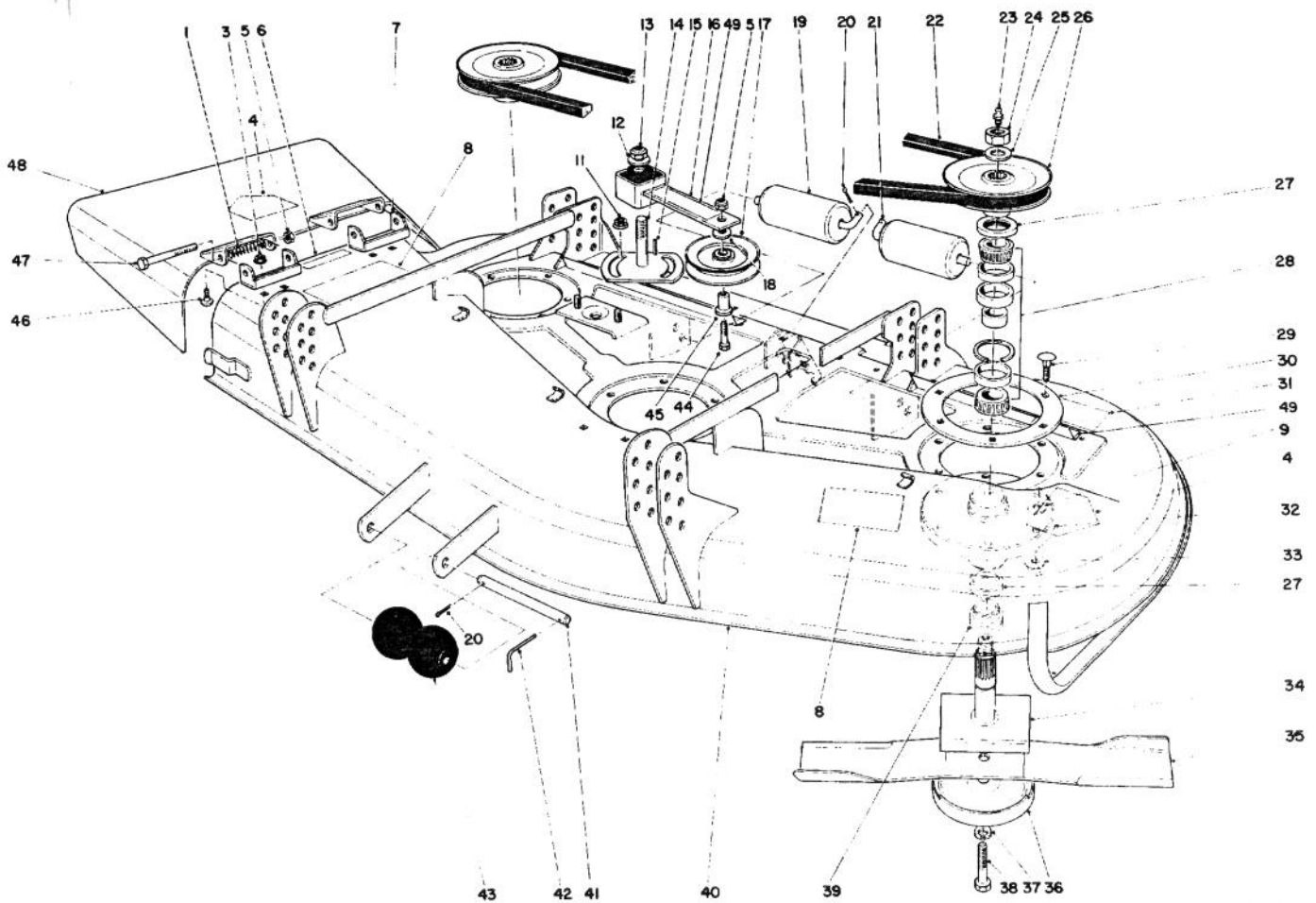
Ref. No.	Part No.	Description	No. Used
14	67-4770	Pinion Set (Incl. Ref. #13)	1
15	67-4760	Shaft Assembly (Incl. Ref. #9, 12 & 14)	1
16	56-1610	Bolt	1
17	56-1720	Bracket - Rear	1
18	56-1700	Holder - Brush (Incl. Ref. #19)	1
19	56-1710	Spring - Brush	4
20	67-4800	Yoke	1
21	56-1600	Bearing - Rear	1
22	56-1590	Bearing - Front	1
23	56-1580	Armature Set (Incl. Ref. #21 & 22)	1



T-0573

ALTERNATOR ASSEMBLY

Ref. No.	Part No.	Description	No. Used	Ref. No.	Part No.	Description	No. Used
1	67-4630	Alternator Assembly (Incl. Ref. #6-17)	1	13	67-4920	Brush	2
2	67-4670	Nut	1	14	43-0510	Spring - Brush	2
3	67-3260	Washer	1	15	67-4830	Front Bracket Assembly (Incl. Ref. #18 & 19)	1
4	42-9660	Washer	1	16	67-4810	Pulley Set	1
5	43-0370	Shim	1	17	43-1920	Nut Set	1
6	67-4870	Bearing - Rear	1	18	67-4840	Screw Set	1
7	67-4860	Rotor Assembly (Incl. Ref. #6)	1	19	67-4850	Bearing - Front	1
8	67-4930	Rectifier	1	20	67-4820	Bolt Set	1
9	67-4890	Rear Cover Assembly (Incl. Ref. #8, 11, 12 & 27)	1	21	67-4620	Spacer	1
10	67-4880	Stator	1	22	67-4640	Bolt	1
11	67-4900	Terminal Set	1	23	75-4940	Brace - Alternator	1
12	67-4910	Regulator Assembly (Incl. Ref. #13 & 14)	1	24	42-9440	Bolt W/Washer	1
				25	54-8660	Washer	1
				26	67-4660	Bolt - Flange	1
				27	72-6140	Cover - Rear	1

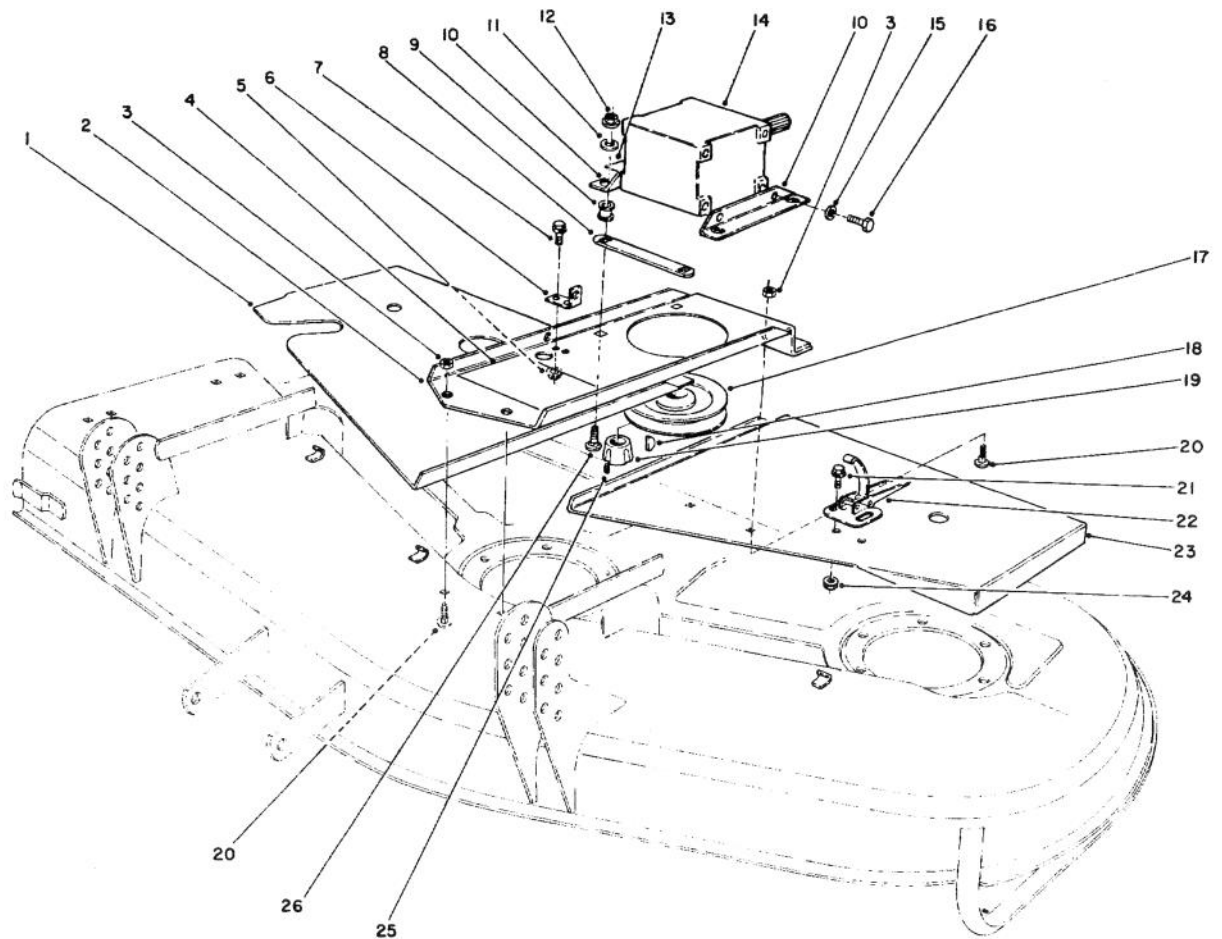


T-0574

52" CUTTING UNIT MODEL NO. 30555

Ref. No.	Part No.	Description	No. Used	Ref. No.	Part No.	Description	No. Used
1	40-6230	Spring - Torsion	2	29	3231-22	Bolt - Carriage	18
3	32128-20	Nut - Lock		30	27-7680	Ring - Deck Support	3
4	43-8480	Decal - Danger	2	31	68-8340	Decal - Blade Bolt Torque	1
5	3296-5	Nut - Lock	3	32	61-4160	Housing - Spindle	3
6	66-6380	Decal - Deflector Missing	1	33	32128-21	Nut - Flange	18
7	29-5590	Pivot Bracket - Deflector	2	34	27-0920	Spindle - Shaft	3
8	66-1340	Decal - Danger	2	35	27-0990	Blade	3
9	3256-24	Washer - Flat	18	36	72-9361	Anti-Scalp Cup	3
11	3290-357	Nut - Flange	2	37	3253-27	Washer - Lock	3
12	3256-27	Washer - Flat	1	38	44-2200	Screw - Blade Bolt	3
13	3296-33	Nut - Lock	1	39	27-0950	Spacer - Spindle Bearing	3
14	28-9060	Plate - Idler	1	40	72-9210	Cutting Deck	1
15	5-1077	Key - Square	1	41	40-6400	Shaft - Roller	1
16	27-8580	Idler Socket	1	42	57-0690	Pin - Cotter, Special	1
17	65-5940	Pulley - Idler	1	43	29-4820	Roller	2
18	7-0081	Washer - Special	1	44	3211-8	Screw - Cap Hex. Hd.	1
19	36-1740	Roller - Deck	2	45	65-5950	Bushing - Pulley	1
20	3272-11	Pin - Cotter	3	46	3230-23	Bolt - Carriage	4
21	40-0340	Shaft - Rear Roller	2	47	3211-15	Screw - Cap Hex. Hd.	2
22	27-1160	V-Belt	1	48	13-3949	Deflector - Grass (Incl. Ref. #4)	1
23	302-2	Fitting - Grease	3	49	67-5360	Decal - Shield Missing	2
24	32146-20	Nut - Lock	3	*	44-5480	Blade - High Sail (Optional)	3
25	7-4150	Washer	3	*	27-0870	Assembly - Spindle (Incl. Ref. #23-28, 32, 34 & 39)	3
26	27-0970	Pulley	3				
27	253-139	Seal - Wave	6				
28	46-8530	Assembly - Bearing	3				

*Not Illustrated

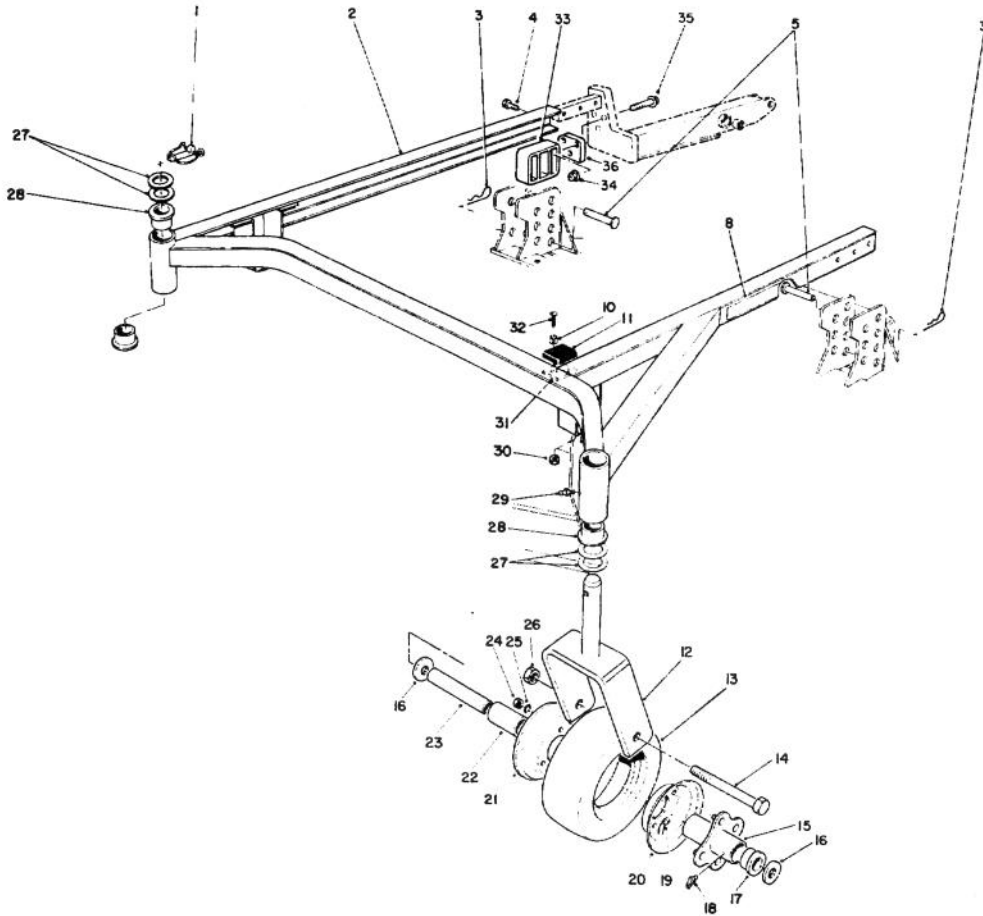


52" CUTTING UNIT MODEL NO. 30555 (Continued)

T-0576

Ref. No.	Part No.	Description	No. Used
1	72-9300	Cover R.H.	1
2	72-9230	Base - Gear Box	1
3	3290-357	Nut - Flange	4
4	51-3960	Decal - 52	1
5	32128-20	Nut - Flange	2
6	72-9240	Bracket - Extension	1
7	322-4	Screw - Cap Hex. Hd.	2
8	68-9890	Cover - Gear Box	1
9	63-9750	ISO Mount - Gear Box	4
10	68-8560	Bracket - Gear Box	2
11	63-8410	Washer	4
12	32153-2	Nut	4
13	70-2560	Decal - Lube	1
14	68-6810	Assembly - Gear Box	1

Ref. No.	Part No.	Description	No. Used
15	3253-21	Washer - Flat	4
16	323-4	Screw - Cap Hex. Hd.	4
17	63-9900	Pulley - Gear Box	1
18	3257-5	Key - Woodruff	1
19	27-6140	Bushing - Taper Lock (Incl. Ref. #25)	1
20	3231-27	Bolt - Carriage	4
21	3290-321	Screw - Machine	6
22	249-21	Latch - Draw	3
23	72-9340	Cover L.H.	1
24	32128-7	Nut - Flange	6
25	3245-9	Screw - Set, Socket Hd.	1
26	3231-26	Bolt - Carriage	4

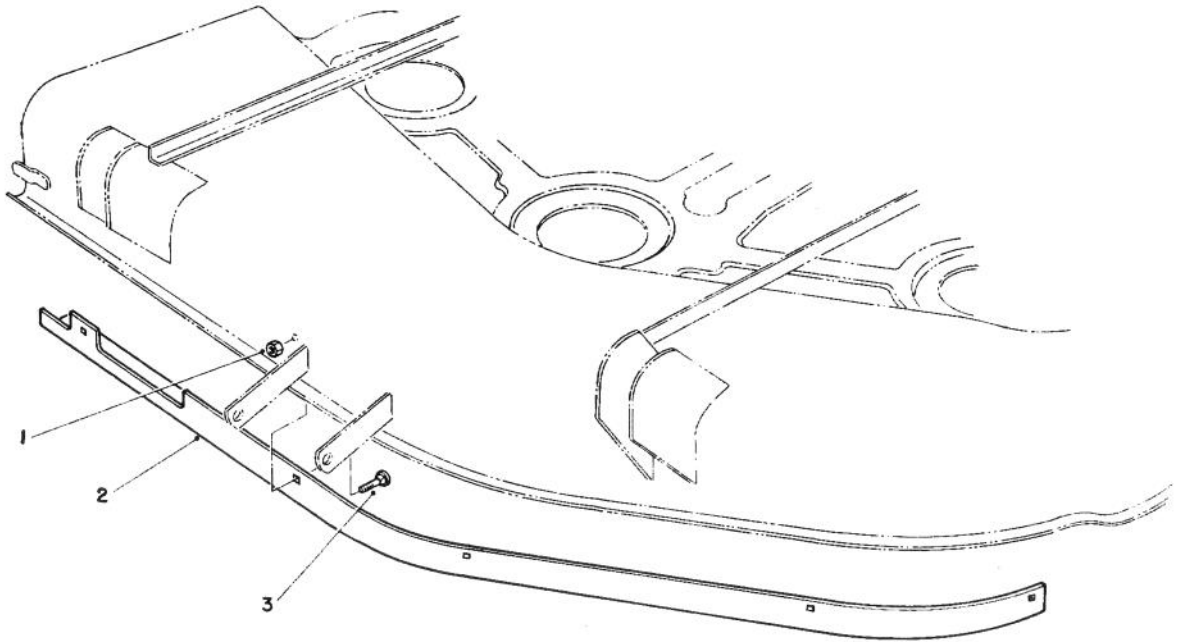


52" CUTTING UNIT MODEL NO. 30555 (Continued)

T-1249

Ref. No.	Part No.	Description	No. Used	Ref. No.	Part No.	Description	No. Used
1	3290-384	Pin - Lynch	2	21	68-8930	Wheel Half - Male	2
2	83-4550	Frame - Deck Suspension (Incl. Ref. #28)	1	22	62-5570	Bearing - Roller	2
3	3290-355	Pin - Hair	4	23	68-8980	Bushing - Spanner	2
4	325-32	Screw - Cap Hex Hd.	6	24	3217-6	Nut - Hex.	8
5	283-55	Pin - Clevis	4	25	3253-4	Washer - Lock	8
6	302-40	Fitting - Grease	2	26	32153-5	Nut - Lock	2
8	68-8360	Decal - H.O.C.	1	27	3-6781	Washer - Thrust	8
10	40-9520	Spacer - Split	4	28	28-9290	Bushing - Special	4
11	40-0330	Cushion - Rubber	2	29	302-5	Fitting - Grease	2
12	68-8900	Fork - Castor, Front	2	30	3296-2	Nut - Lock	4
13	68-8960	Tire	2	31	42-6200	Cushion - Shim	A/R
14	325-19	Screw - Cap Hex Hd.	2	32	32122-28	Screw - Mach. Truss Hd.	4
15	68-8940	Hub - Center	2	33	83-4520	Cradle - Rear	2
16	3256-6	Washer - Thrust	4	34	32128-40	Nut - Flange	6
17	62-5580	Bushing	4	35	66-9302	Screw - Flange Hd.	6
18	302-61	Fitting - Grease	2	36	83-4580	Spacer	2
19	68-8950	Tube w/Valve	2	*	13-3869	Assembly - Castor Wheel (Incl. Ref. #13, 15, 17-22 & 24-25)	2
20	68-8920	Wheel Half - Female	2				

*Not Illustrated

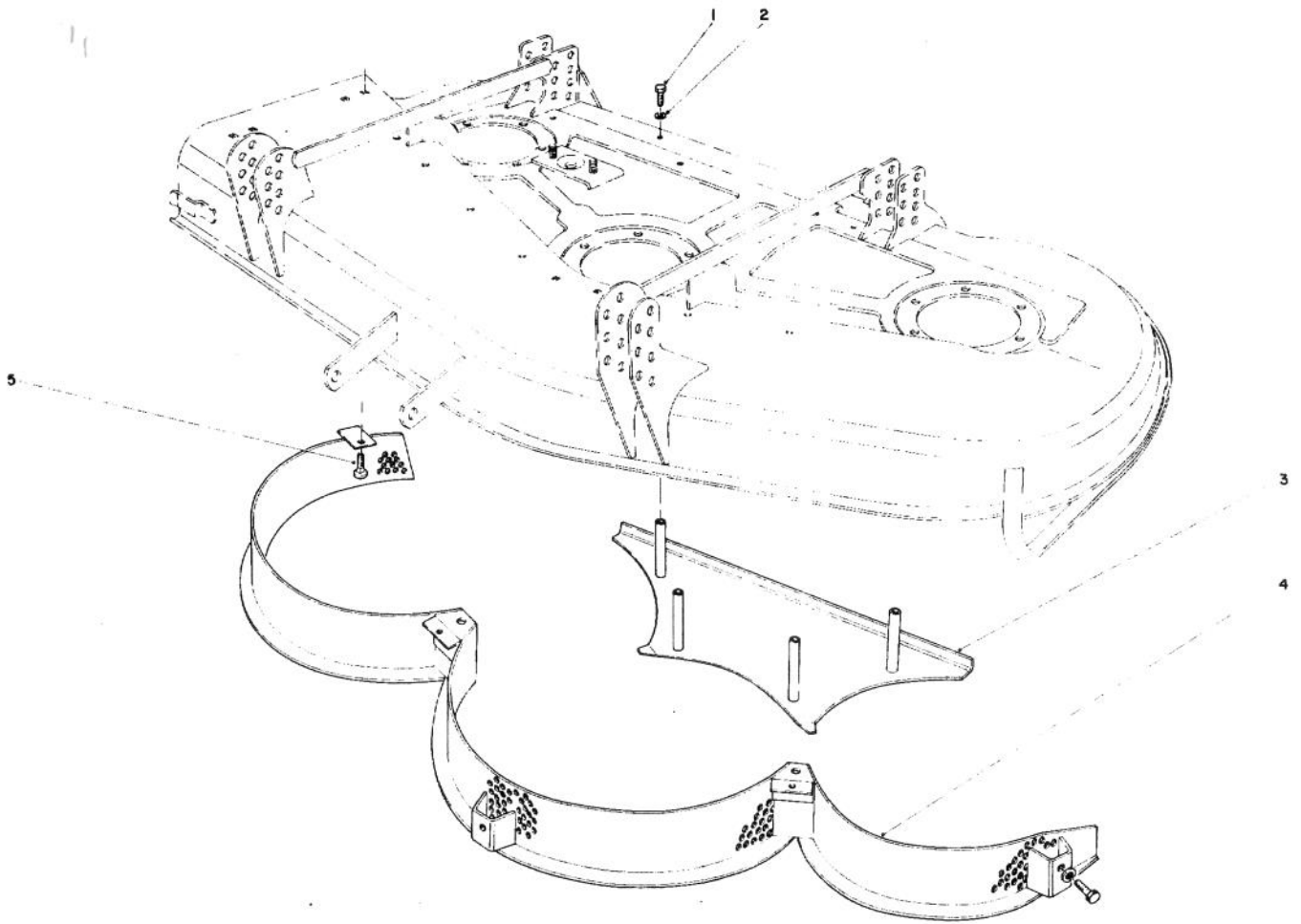


**52" BAFFLE KIT PART NO. 68-7210
(Used on Cutting Unit Model 30555)**

T-0708

Ref. No.	Part No.	Description	No. Used
1	3296-47	Nut - Lock	5
2		Baffle	1

Ref. No.	Part No.	Description	No. Used
3	3230-20	Bolt - Carriage	5

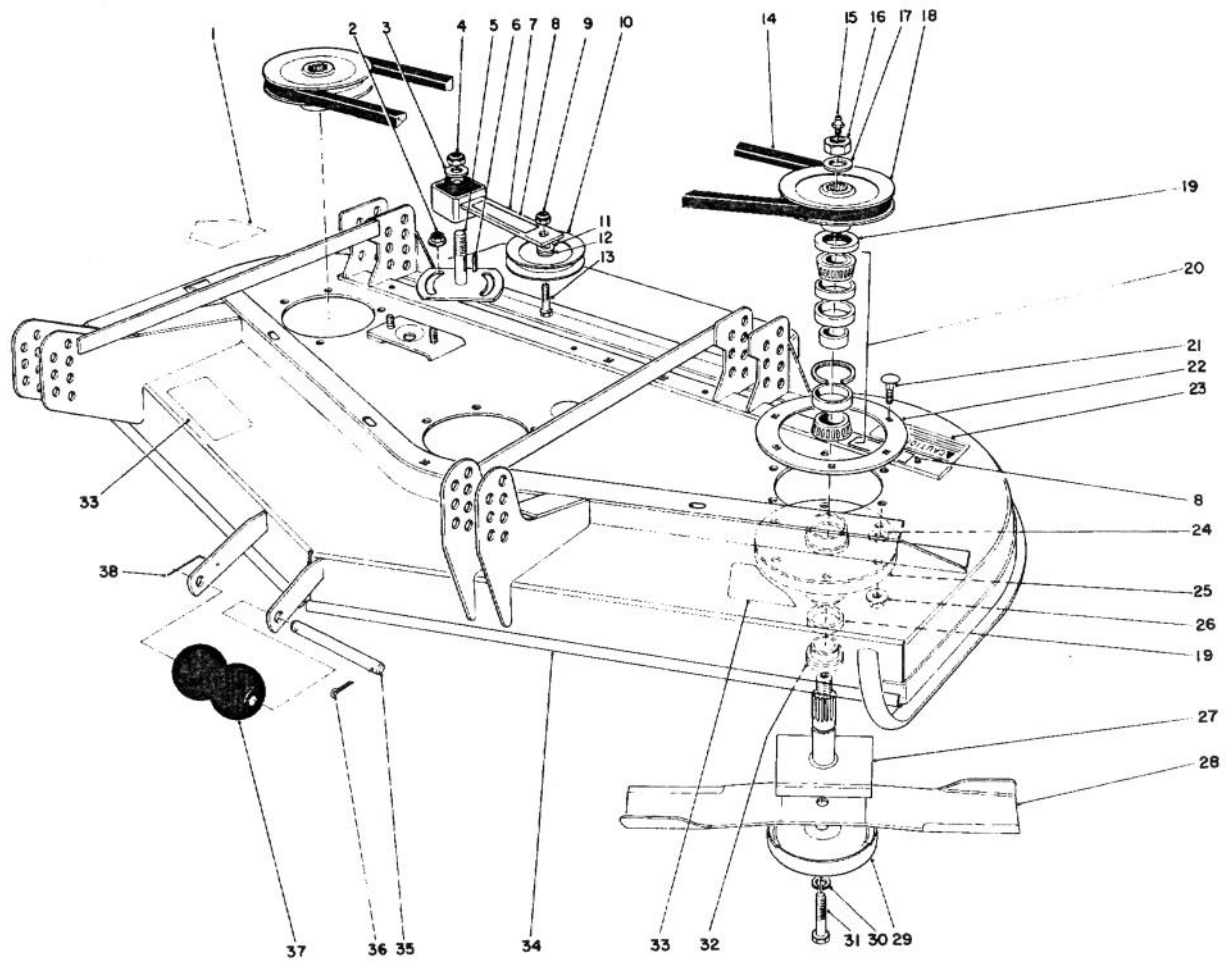


T-0599

52" MULCHER KIT MODEL NO. 30700 (OPTIONAL) (Used on Cutting Unit Model 30555)

Ref. No.	Part No.	Description	No. Used
1	323-6	Screw - Cap Hex. Hd.	8
2	3253-21	Washer - Lock	8
3	42-6340	Shelf - Bottom, Rear	1

Ref. No.	Part No.	Description	No. Used
4	42-6310	Screen - Mulcher	1
5	3230-1	Bolt - Carriage	1

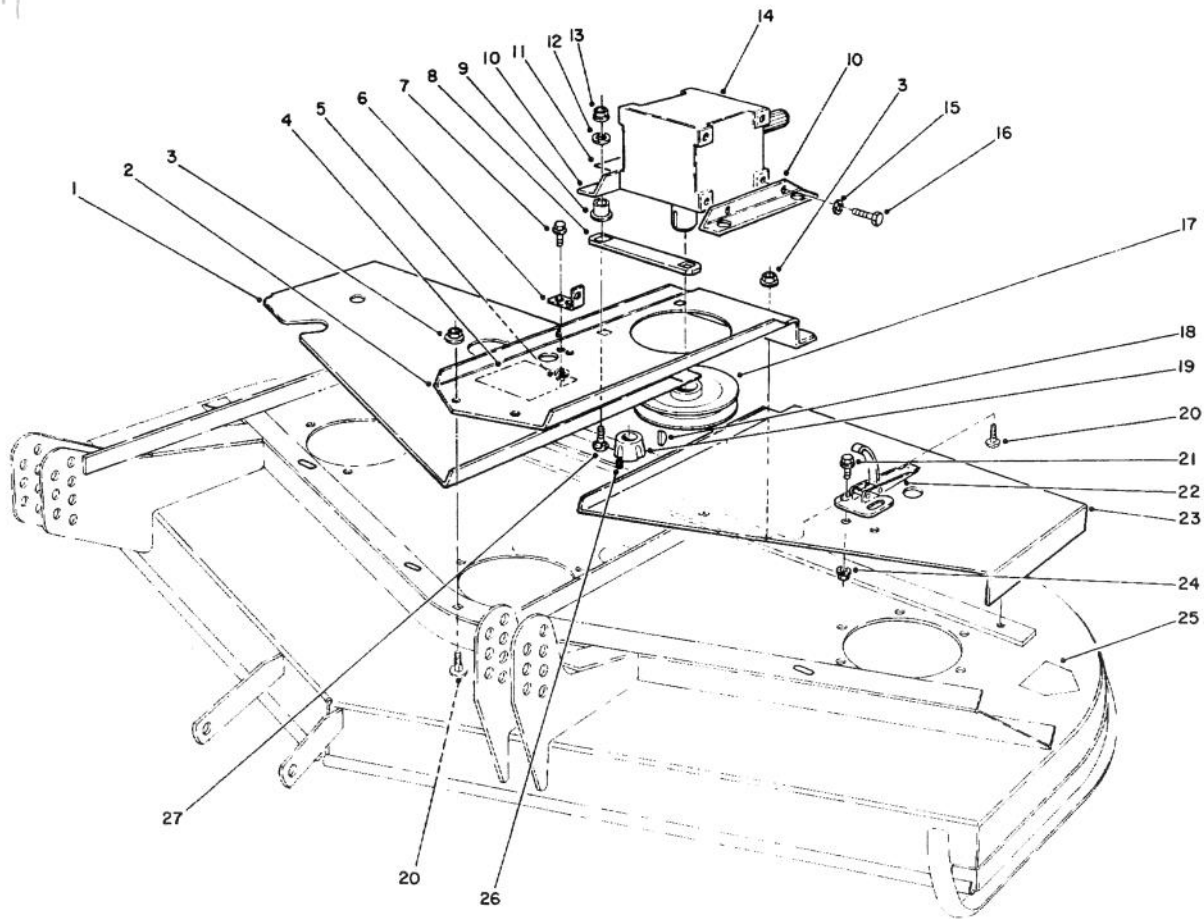


T-0577

52" CUTTING UNIT MODEL NO. 30568

Ref. No.	Part No.	Description	No. Used	Ref. No.	Part No.	Description	No. Used
1	43-8480	Decal - Danger	1	22	27-7680	Ring - Deck Support	2
2	3296-357	Nut - Flange	2	23	68-8340	Decal - Blade Bolt Torque	1
3	3256-27	Washer - Flat	1	24	3256-24	Washer - Flat	18
4	3296-33	Nut - Lock	1	25	61-4160	Housing - Spindle	3
5	28-9060	Plate - Idler	1	26	32128-21	Nut - Flange	18
6	5-1077	Key - Square	1	27	27-0920	Spindle Shaft	3
7	27-8580	Idler Socket	1	28	27-0990	Blade	3
8	67-5360	Decal - Shield Missing	2	29	72-9361	Cup - Anti Scalp	3
9	3296-5	Nut - Lock	1	30	3253-27	Washer - Lock	3
10	65-5940	Pulley - Idler	1	31	44-2200	Screw - Blade	3
11	7-0081	Washer	1	32	27-0950	Spacer - Spindle Bearing	3
12	65-5950	Bushing	1	33	66-1340	Decal - Danger	2
13	3211-8	Screw - Cap Hex. Hd.	1	34	72-9260	Cutting Deck	1
14	27-1160	V-Belt	1	35	40-6400	Shaft - Roller	1
15	302-2	Fitting - Grease	3	36	3272-11	Pin - Cotter	1
16	32146-20	Nut - Hex. Lock, Jam	3	37	29-4820	Roller	2
17	7-4150	Washer	3	38	57-0690	Pin - Cotter, Special	1
18	27-0970	Pulley	3	*	27-0870	Assembly - Spindle	3
19	253-139	Seal - Wave	6			(Incl. Ref. #15-20, 25, 27 & 32)	
20	46-8530	Assembly - Bearing	3				
21	3231-22	Bolt - Carriage	18				

*Not Illustrated

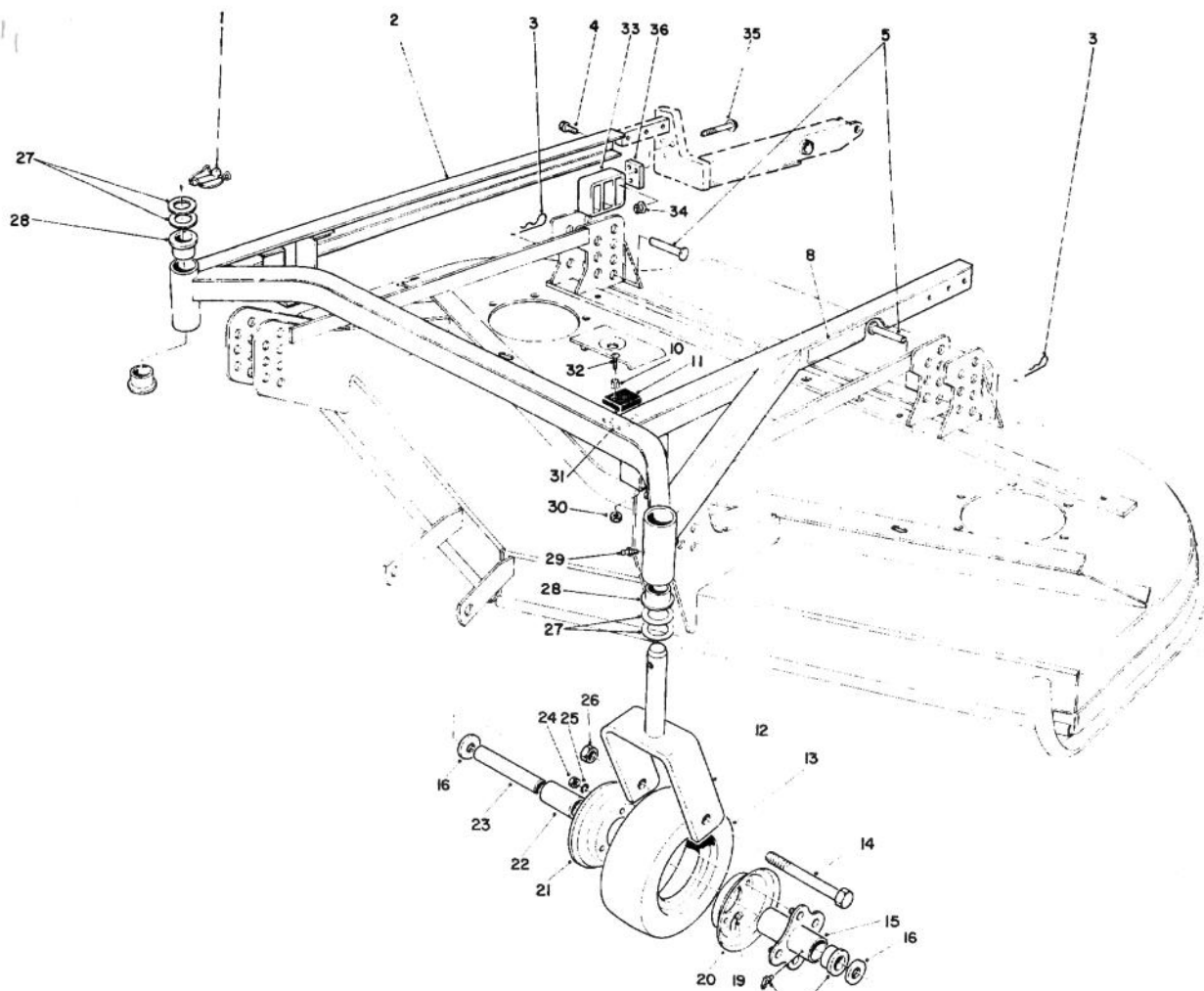


52" CUTTING UNIT MODEL NO. 30568 (Continued)

T-0578

Ref. No.	Part No.	Description	No. Used
1	72-9330	Cover R.H.	1
2	72-9230	Base - Gear Box	1
3	3290-357	Nut - Flange	4
4	51-3960	Decal - 52	1
5	32128-20	Nut - Flange	2
6	72-9240	Bracket - Extension	1
7	322-4	Screw - Cap Hex. Hd.	2
8	68-9890	Cover - Front Gear Box	1
9	63-9750	ISO Mount - Gear Box	4
10	68-8560	Bracket - Gear Box	2
11	70-2560	Decal - Lube	1
12	63-8410	Washer - Lock	4
13	32153-2	Nut	4
14	68-6810	Gear Box	1

Ref. No.	Part No.	Description	No. Used
15	3253-21	Washer - Lock	4
16	323-4	Screw - Cap Hex. Hd.	4
17	63-9900	Pulley	1
18	3257-5	Key - Woodruff	1
19	27-6140	Bushing - Taper Lock (Incl. Ref. #26)	1
20	3231-22	Bolt - Carriage	4
21	3290-321	Screw - Mach. Hex. Hd.	6
22	249-21	Latch - Draw	3
23	80-0080	Cover L.H.	1
24	32128-17	Nut - Flange	4
25	43-8480	Decal - Danger	1
26	3245-9	Screw - Set Socket Hd.	2
27	3231-26	Bolt - Carriage	4



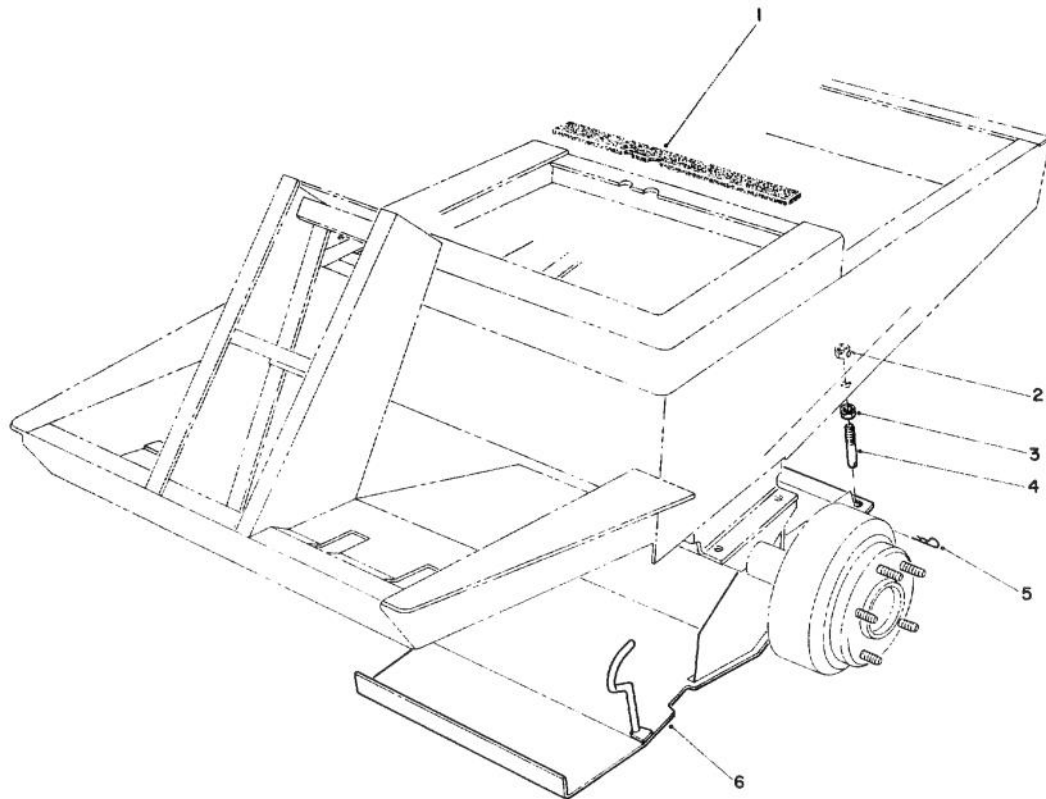
52" CUTTING UNIT MODEL NO. 30568 (Continued)

T-1250

Ref. No.	Part No.	Description	No. Used
1	3290-384	Pin - Lynch	2
2	83-4550	Assembly - Frame, Deck (Incl. Ref. #28)	1
3	3290-355	Pin - Hair, Cotter	4
4	325-32	Screw - Cap Hex. Hd.	6
5	283-55	Pin - Clevis	4
8	71-2760	Decal - H.O.C.	1
10	40-9520	Spacer - Split	4
11	40-0330	Cushion - Rubber	2
12	68-8900	Fork - Castor, Front	2
13	68-8960	Tire	2
14	325-19	Screw - Cap Hex. Hd.	2
15	68-8940	Hub - Center	2
16	3256-6	Washer - Flat	4
17	62-5580	Bushing	4
18	302-61	Fitting - Grease	2
19	68-8950	Tube w/Valve	2
20	68-8920	Wheel Half - Female	2
21	68-8930	Wheel Half - Male	2

Ref. No.	Part No.	Description	No. Used
22	62-5570	Bearing - Roller	2
23	68-8980	Bushing - Spanner	2
24	3217-6	Nut - Hex.	8
25	3253-4	Washer - Lock	8
26	32153-5	Nut - Lock	2
27	3-6781	Washer - Thrust	8
28	28-9290	Bushing - Special	4
29	302-5	Fitting - Grease	2
30	3296-2	Nut - Lock	4
31	42-6200	Shim - Cushion	3
32	32122-28	Screw - Mach. Truss Hd.	4
33	83-4520	Cradle - Rear	2
34	32128-40	Nut - Flange	6
35	66-9302	Screw - Flange Hd.	6
36	83-4580	Spacer	2
*	13-3869	Assembly - Castor Wheel (Inc. Ref. #13, 15, 17-22 & 24-25)	2

*Not Illustrated

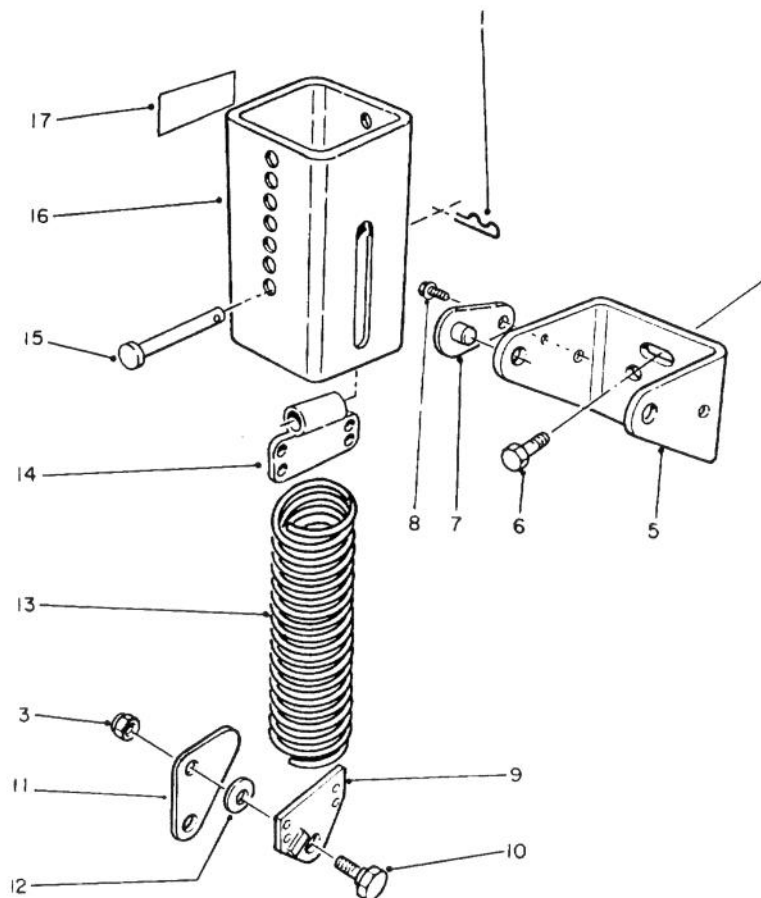


T-0193

TRACTOR SHIELD KIT MODEL NO. 30567 (Optional) For Use With Cutting Unit Model No. 30568

Ref. No.	Part No.	Description	No. Used
1	67-9580	Seal - Foam	1
2	3217-9	Nut - Hex.	2
3	3218-5	Nut - Hex. Jam	2

Ref. No.	Part No.	Description	No. Used
4	67-9590	Pin - Mounting	2
5	3290-468	Pin - Hair, Cotter	2
6	67-9610	Assembly - Shield	1

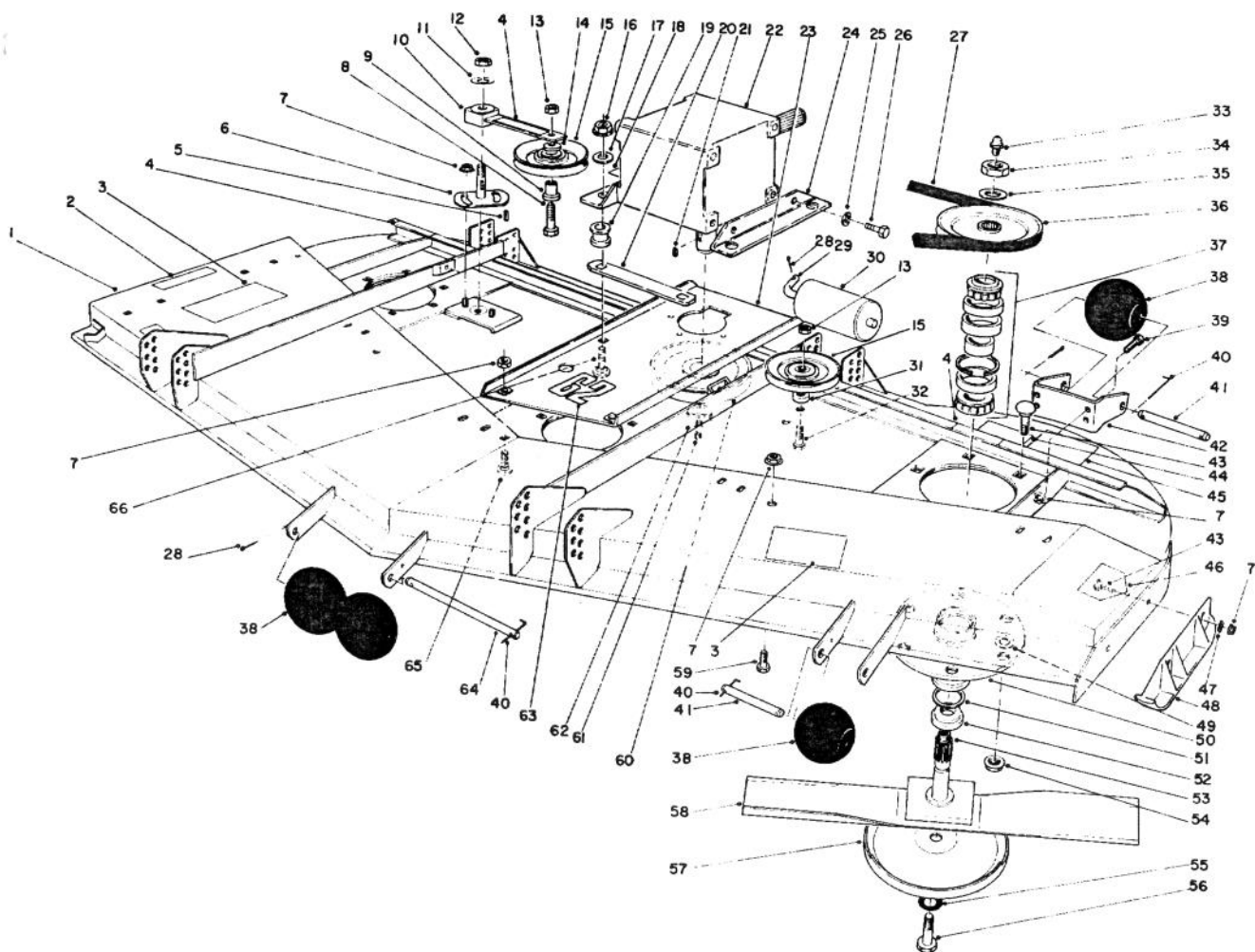


52" COUNTER BALANCE KIT PART NO. 70-8090**

T-1217

Ref. No.	Part No.	Description	No. Used	Ref. No.	Part No.	Description	No. Used
1	3290-355	Pin - Hair Cotter	1	11	66-8450	Link - Knee	1
3	3296-44	Nut - Lock	2	12	3256-24	Washer - Flat	2
5	66-8460	Bracket - Mounting	1	13	66-8390	Spring - Extension	1
6	3234-11	Screw - Hex. Flange Hd.	2	14	70-7940	End - Spring	1
7	70-7920	Assembly - Pin, Lock	2	15	283-69	Pin - Clevis	1
8	12-3270	Screw - Self Tapping	2	16	70-7970	Assembly - Cover, Spring	1
9	66-8420	End - Spring	1	17	55-4300	Decal - Caution	2
10	46-3380	Bolt - Shoulder	2				

**Furnished with 52" cutting units model no. 30555 and 30568.

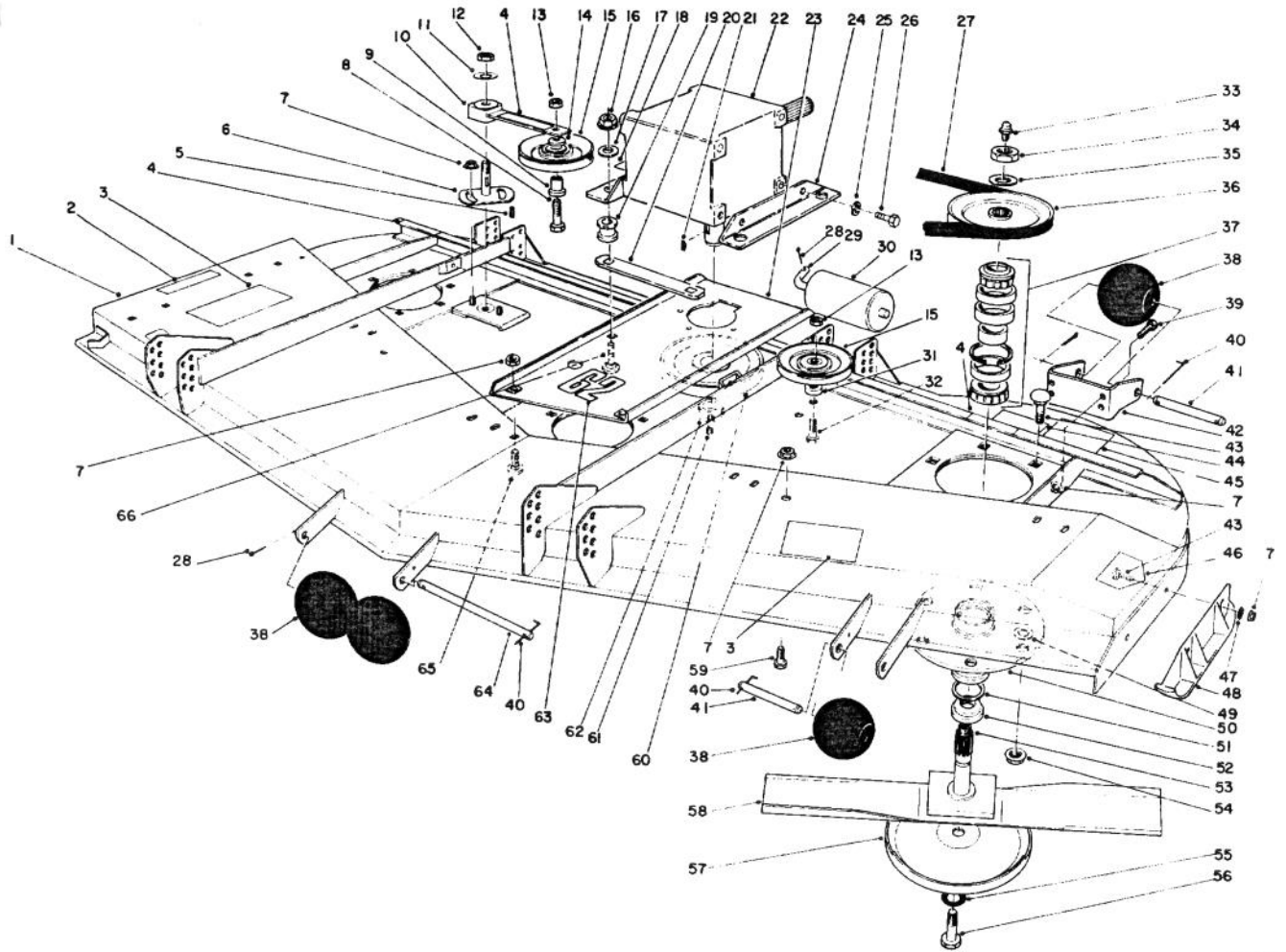


62" CUTTING UNIT MODEL NO. 30564

T-0545

Ref. No.	Part No.	Description	No. Used
1	63-9840	Cutting Deck	1
2	66-6380	Decal - Defector Missing	1
3	66-1340	Decal - Danger	2
4	67-5360	Decal - Shield Missing	3
5	5-1077	Key - Square	1
6	44-6300	Plate - Idler	1
7	3290-357	Nut - Lock	12
8	3211-8	Screw - Cap Hex. Hd.	1
9	65-5950	Bushing - Pulley	2
10	27-8580	Idler Socket/Bushing Assy.	1
11	3256-27	Washer - Flat	1
12	3296-33	Nut - Lock	1
13	3296-5	Nut - Lock	2
14	7-0081	Washer - Special	2
15	65-5940	Pulley - Idler	2
16	32153-2	Nut - Flange	4
17	63-8410	Washer	4
18	70-2560	Decal - Lube	1
19	63-9750	Mount	4
20	68-9890	Cover - Gear Box, Front	1
21	3257-5	Key - Woodruff	1
22	68-6810	Gear Box	1
23	72-9310	Base - Gear Box	1
24	68-8560	Assy. - Bracket, Gear Box	2
25	3253-21	Washer - Lock	4
26	323-4	Screw - Cap Hex. Hd.	4

Ref. No.	Part No.	Description	No. Used
27	44-6260	V-Belt	1
28	3272-11	Pin - Cotter	5
29	40-0340	Shaft - Rear Roller	2
30	36-1740	Roller - Deck	2
31	44-6390	Spacer	1
32	3211-9	Screw - Cap Hex. Hd.	1
33	302-2	Fitting - Grease	3
34	32146-20	Nut - Jam	3
35	7-4150	Washer	3
36	44-6340	Pulley - Hub Spindle	3
37	46-8530	Assembly - Bearing	3
38	29-4820	Roller	4
39	323-6	Screw - Cap Hex. Hd.	2
40	57-0690	Pin - Cotter, Special	3
41	57-0680	Shaft - Short	2
42	57-0580	Bracket - Roller, Left Rear	1
43	3231-22	Bolt - Carriage, Short Neck	20
44	68-8340	Decal - Blade Bolt Torque	1
45	68-7260	Decal - Rear Weight 35#	1
46	43-8480	Decal - Danger	1
47	3290-224	Washer - Pyramidal	1
48	57-0570	Skid - L.H.	1
49	3256-24	Washer - Flat	3
50	61-4160	Housing - Spindle	3
51	253-139	Seal	6
52	27-0950	Spacer	3



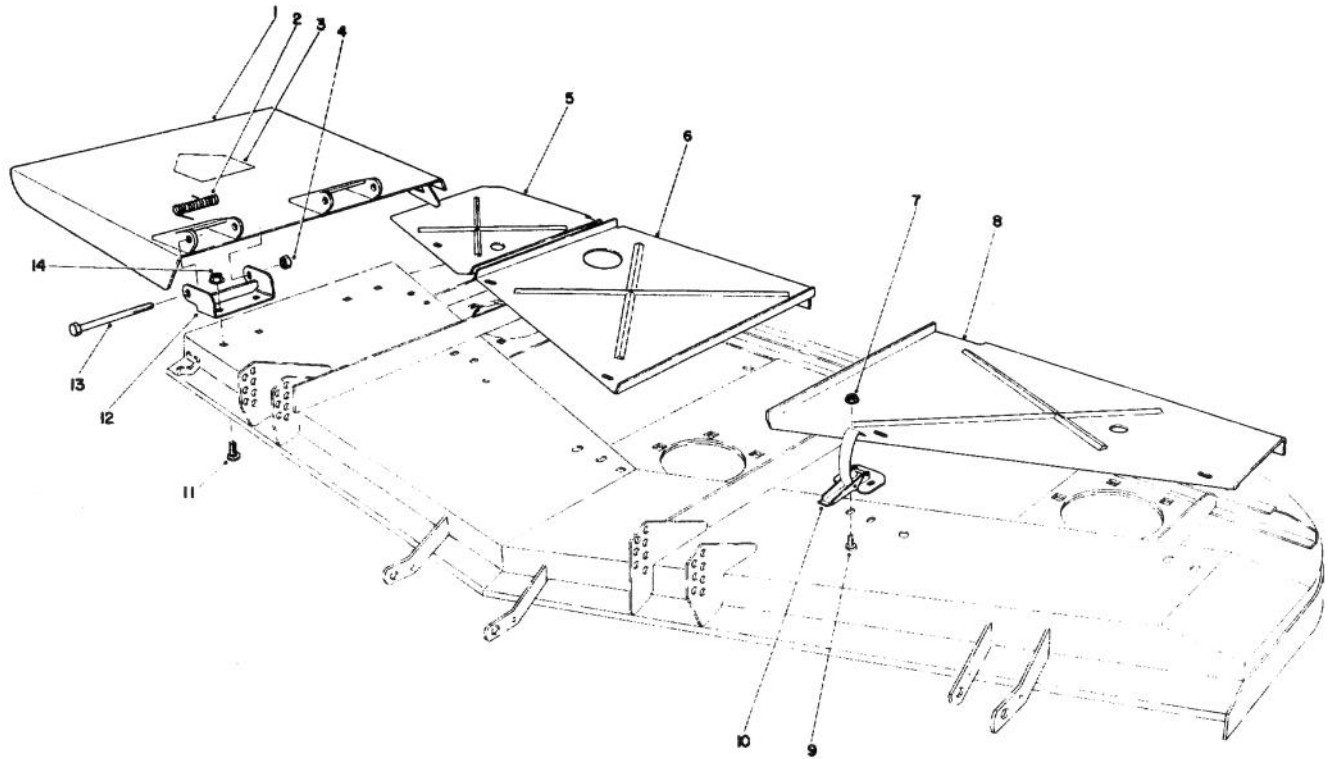
T-0545

62" CUTTING UNIT MODEL NO. 30564 (Continued)

Ref. No.	Part No.	Description	No. Used
53	27-0920	Spindle - Shaft	3
54	32128-21	Nut - Flange	18
55	67-5770	Washer - Lock	3
56	44-2200	Screw - Cap, Blade	3
57	72-9361	Cup - Anti-Scalp	3
58	44-6250	Blade	3
59	323-4	Screw - Cap Hex. Hd.	2
60	63-9900	Pulley - Gear Box	1
61	3245-9	Screw - Set, Socket Hd.	2

Ref. No.	Part No.	Description	No. Used
62	27-6140	Bushing - Taper Lock (Incl. Ref. #61)	1
63	66-1630	Decal - 62	1
64	40-6400	Shaft - Long	1
65	3231-27	Bolt - Carriage	4
66	3231-26	Bolt - Carriage	4
*	44-6370	Assembly - Spindle (Incl. Ref. #33-37 & 50-53)	3

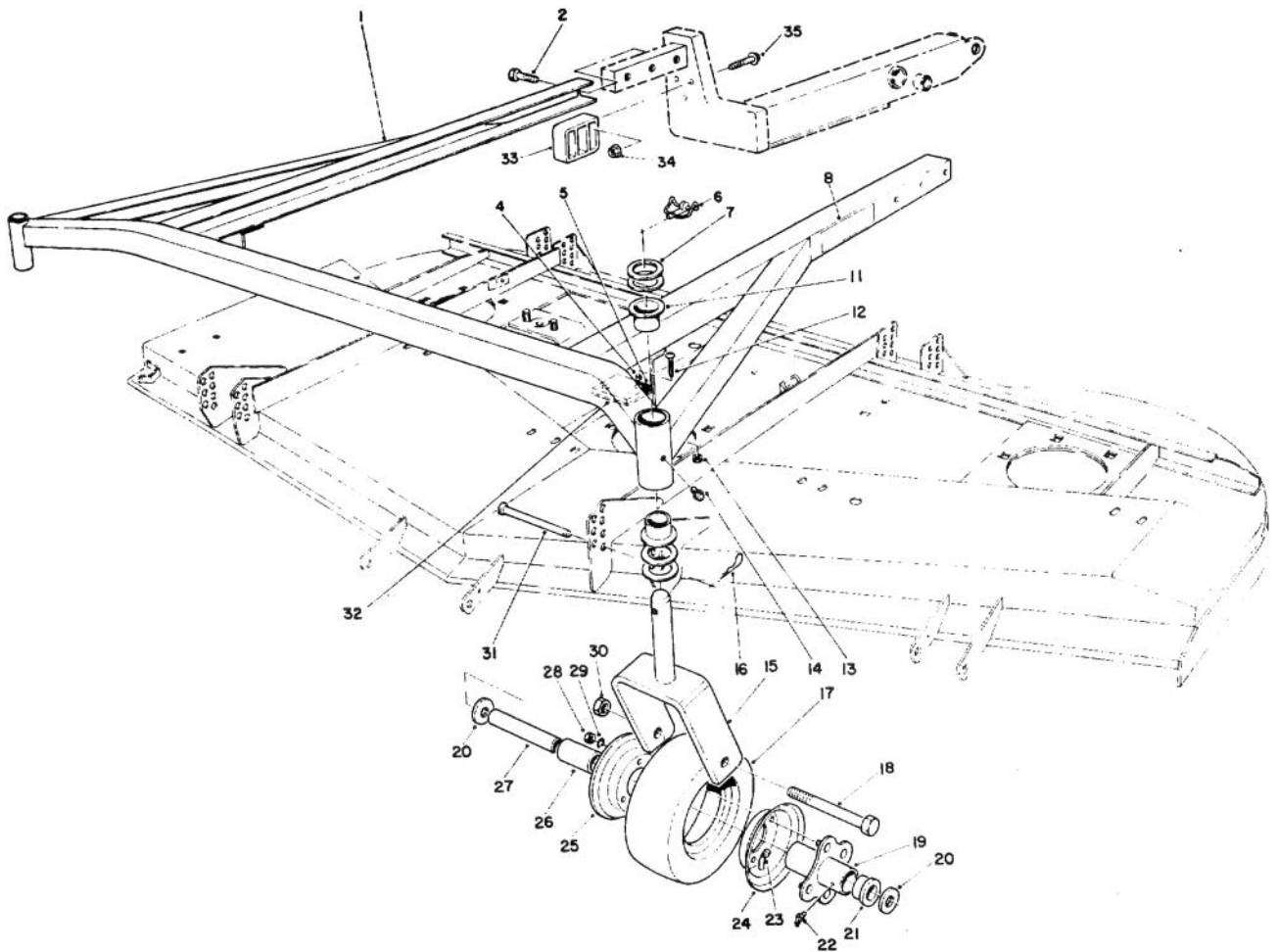
*Not Illustrated



T-0560

62" CUTTING UNIT MODEL 30564 (Continued)

Ref. No.	Part No.	Description	No. Used	Ref. No.	Part No.	Description	No. Used
1	14-0909	Deflector Assembly (Incl. Ref. #3)	1	8	44-6290	Cover - Deck L.H.	1
2	51-1550	Spring	2	9	3290-321	Screw - Hex. Slotted Hd.	10
3	43-8480	Decal - Danger	1	10	249-21	Latch - Draw	5
4	32153-5	Nut - Lock	2	11	3231-27	Bolt - Carriage	4
5	63-9830	Cover - Deck R.H.	1	12	51-1530	Bracket - Hinge	2
6	72-9320	Cover - Deck Center	1	13	325-17	Screw - Cap Hex. Hd.	2
7	32128-17	Nut - Flange	10	14	3290-357	Nut - Lock	4

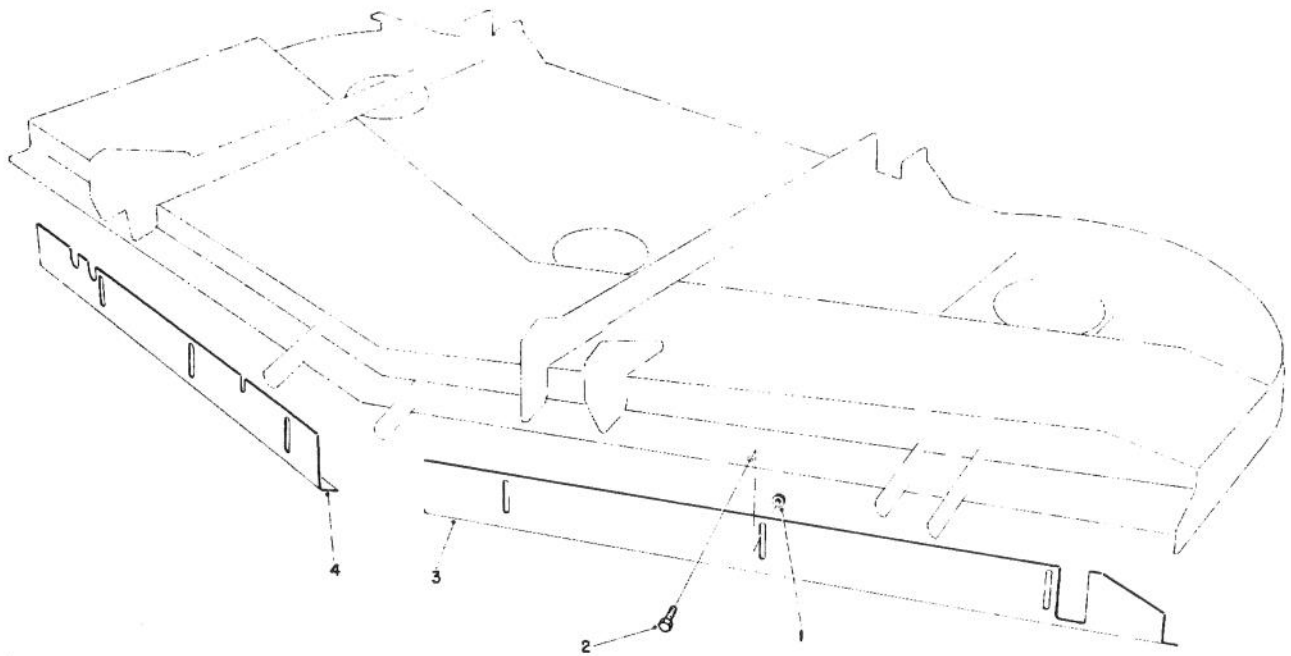


T-1251

62" CUTTING UNIT MODEL NO. 30564 (Continued)

Ref. No.	Part No.	Description	No. Used	Ref. No.	Part No.	Description	No. Used
1	83-4560	Frame (Incl. Ref. #9 & 10)	1	21	62-5580	Bushing	4
2	325-32	Screw - Cap Hex. Hd.	6	22	302-61	Fitting - Grease	2
4	40-9520	Spacer - Split	4	23	68-8950	Tube - w/Valve	2
5	40-0330	Cushion - Rubber	2	24	68-8920	Wheel Half - Female	2
6	3290-384	Pin - Lynch	2	25	68-8930	Wheel Half - Male	2
7	3-6781	Washer - Thrust	8	26	62-5570	Bearing - Roller	2
8	68-8360	Decal - H.O.C.	1	27	68-8980	Bushing - Spanner	2
11	28-9290	Bushing - Special	4	28	3217-6	Nut - Hex.	8
12	32122-28	Screw - Mach. Truss Hd.	4	29	3253-4	Washer - Lock	8
13	3296-2	Nut - Lock	4	30	32153-5	Nut - Lock	2
14	302-5	Fitting - Grease	2	31	283-55	Pin - Clevis	4
15	68-8900	Fork - Castor, Front	2	32	42-6200	Shim - Cushion	3
16	3290-355	Pin - Hair, Cotter	4	33	83-4520	Cradle - Rear	2
17	68-8960	Tire	2	34	32128-40	Nut - Flange	6
18	325-19	Screw - Cap Hex. Hd.	2	35	3234-19	Screw - Flange Hd.	6
19	68-8940	Hub - Center	2		13-3869	Assembly - Caster Wheel (Incl. Ref. #17, 19, 21-26 & 28-29)	2
20	3256-6	Washer - Flat	4				

*Not Illustrated

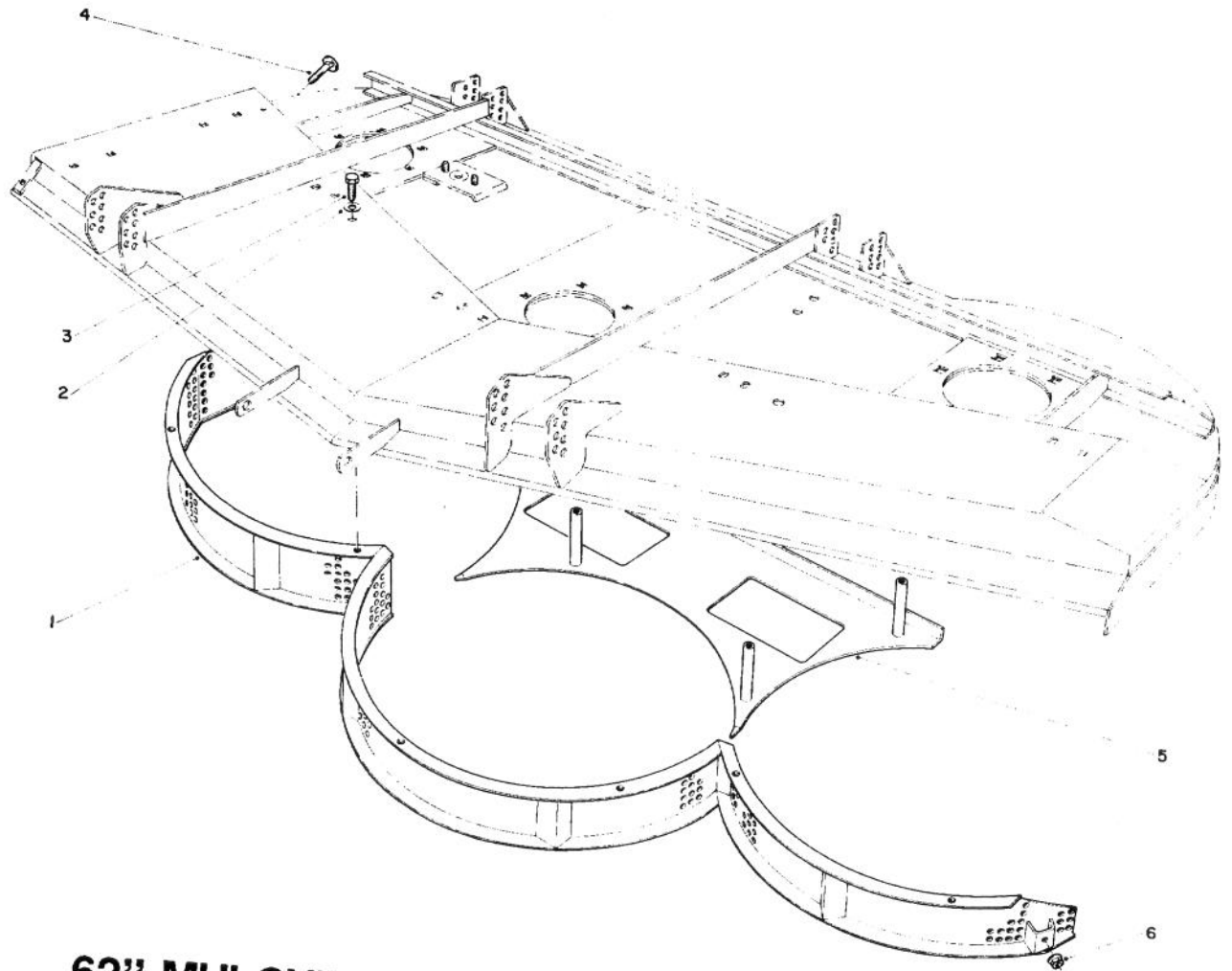


T-1212

62" BAFFLE KIT PART NO. 82-8800 (Used on Cutting Unit Model 30564)

Ref. No.	Part No.	Description	No. Used
1	32128-20	Nut - Flange	6
2	322-3	Screw	6
3	82-8810	Baffle - Front, L.H.	1

Ref. No.	Part No.	Description	No. Used
4	82-8820	Baffle - Front, R.H.	1

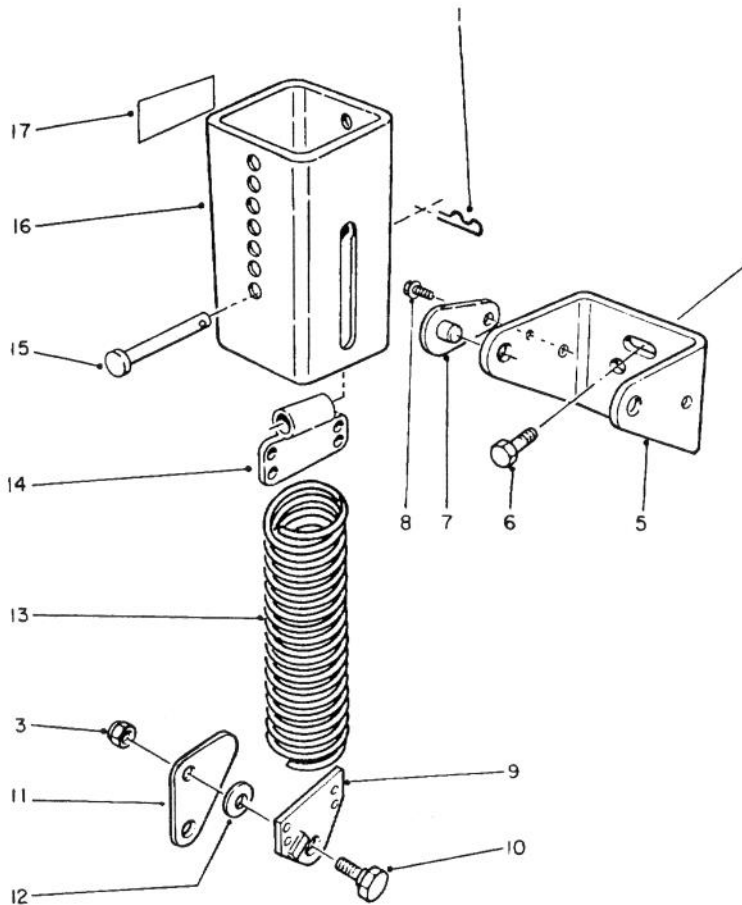


**62" MULCHER KIT MODEL NO. 30792 (Optional)
For Cutting Unit Model No. 30564**

T-0598

Ref. No.	Part No.	Description	No. Used
1	46-3010	Screen - Mulcher	1
2	3253-21	Washer - Lock	10
3	323-4	Screw - Cap Hex. Hd.	11

Ref. No.	Part No.	Description	No. Used
4	3230-2	Bolt - Carriage	1
5	46-3150	Shelf - Bottom, Rear	1
6	3290-357	Nut - Lock, Flange	6



T-1217

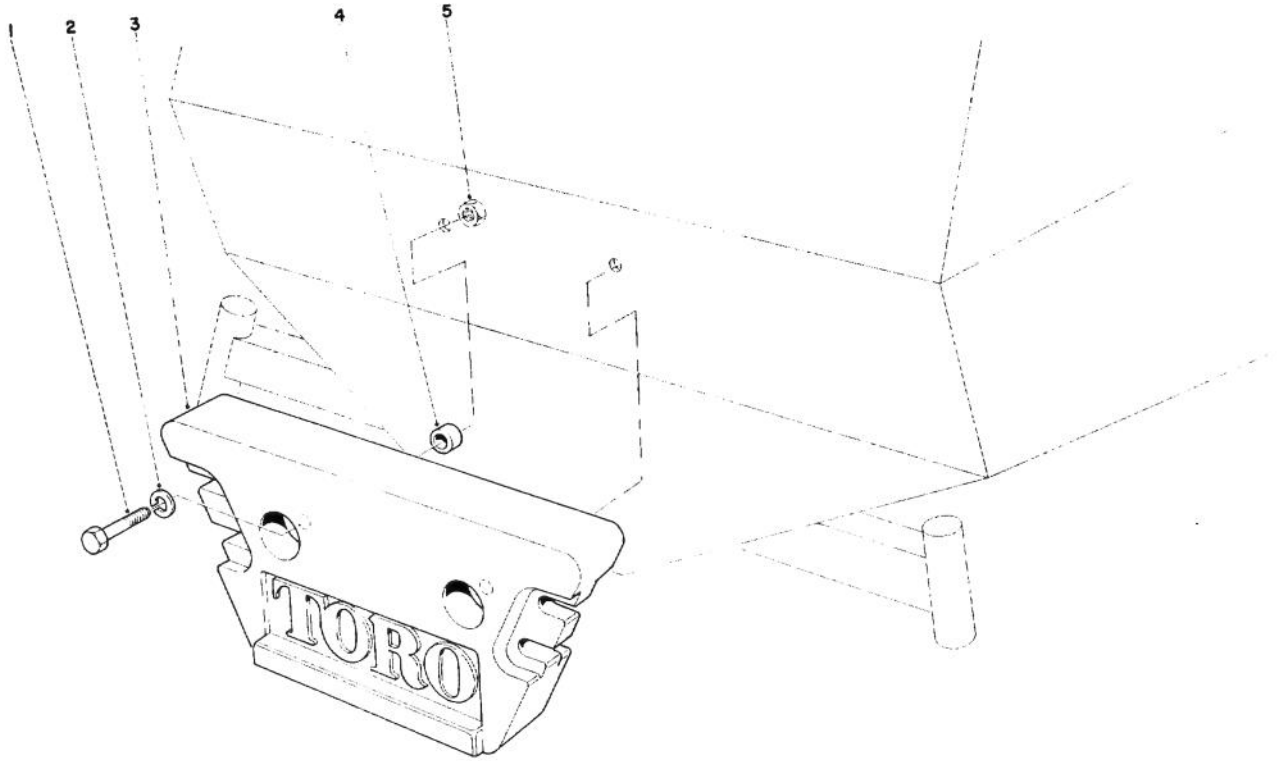
62" COUNTER BALANCE KIT PART NO. 70-8100**

Ref. No.	Part No.	Description	No. Used	Ref. No.	Part No.	Description	No. Used
1	3290-355	Pin - Hair Cotter	2	12	3256-24	Washer - Flat	4
3	3296-44	Nut - Lock	4	13	66-8390	Spring - Trim Side (Heavy Duty)	1
5	66-8230	Bracket - Mounting	2	*	66-8410	Spring - Discharge Side (Light Duty)	1
6	3234-11	Screw - Hex. Flange Hd.	4	14	70-7940	End - Spring	2
7	70-7920	Lock Pin Assembly	4	15	283-69	Pin - Clevis	2
8	12-3270	Screw - Self Tapping	4	16	70-7970	Spring Cover Assembly	2
9	66-8420	End - Spring	2	17	55-4300	Decal - Caution	4
10	46-3380	Bolt - Shoulder	4				
11	66-8440	Link - Knee	2				

*Not Illustrated

**Furnished with 62" cutting unit model no. 30564.

Note: Light duty spring No. 66-8410 used on discharge side only without 62" blower kit.

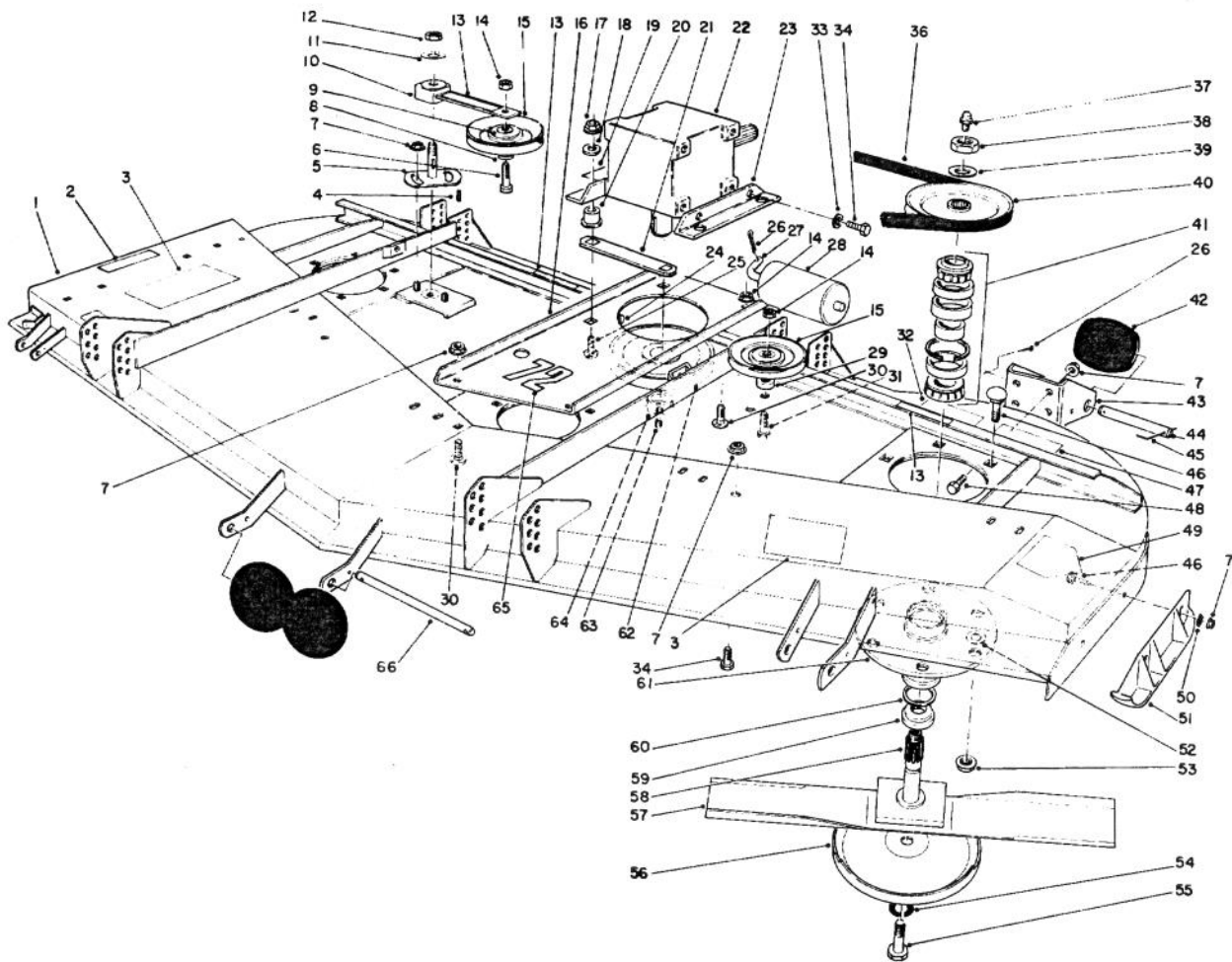


T-0562

REAR WEIGHT

Ref. No.	Part No.	Description	No. Used	Ref. No.	Part No.	Description	No. Used
†1	325-8	Screw - Cap Hex .Hd.	2	†4	57-4230	Spacer	2
†2	3253-7	Washer - Lock	2	†5	3217-9	Nut - Hex.	2
†3	24-5790	Weight - Rear	1				

†One weight required on Groundsmaster 220D with 62" Cutting Unit. Parts must be ordered separately.



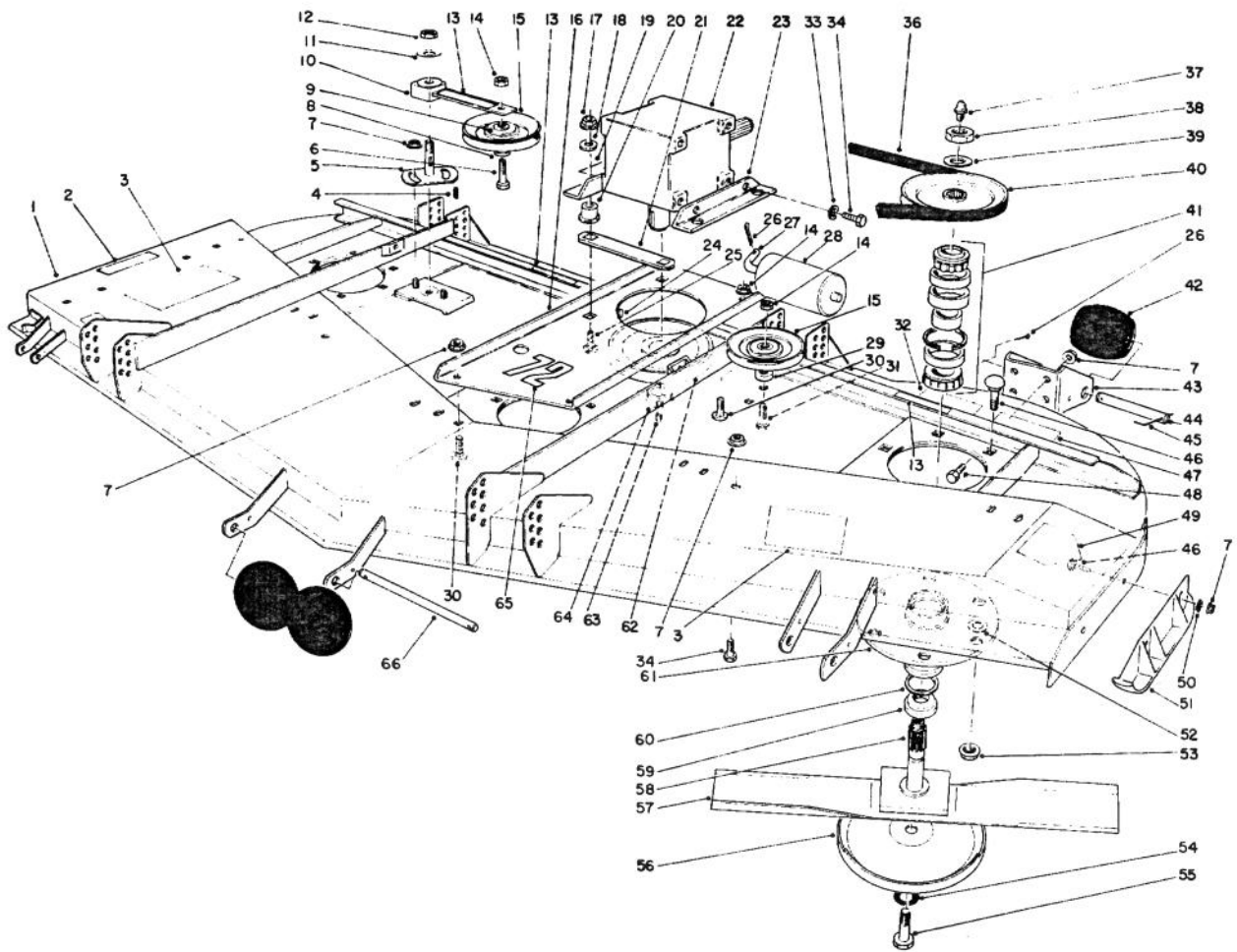
72" CUTTING UNIT MODEL NO. 30575

T-0579

Ref. No.	Part No.	Description	No. Used
1	57-0300	Housing	1
2	66-6380	Decal - Deflector Missing	1
3	66-1340	Decal - Danger	2
4	5-1077	Key - Square	1
5	44-6300	Idler Plate	1
6	3211-8	Screw - Cap Hex. Hd.	1
7	3290-357	Nut - Lock	14
8	65-5950	Bushing - Pulley	2
9	7-0081	Washer - Special	2
10	27-8580	Assembly - Idler Socket & Bushing	1
11	3256-27	Washer - Flat	1
12	3296-33	Nut - Lock	1
13	67-5360	Decal - Shield Missing	3
14	3296-5	Nut - Lock	2
15	65-5940	Pulley - Idler	2
16	68-8530	Base - Gear Box	1
17	32153-2	Nut - Lock	4
18	63-8410	Washer - Lock	4
19	70-2560	Decal - Lube	1
20	63-9750	Mount - Isolation	4
21	68-9890	Cover - Gear Box, Front	1
22	68-6810	Gear Box	1
23	68-8560	Bracket - Gear Box	2
24	3257-5	Key - Woodruff	1
25	3231-26	Bolt - Carriage	4

Ref. No.	Part No.	Description	No. Used
26	3272-11	Pin - Cotter	7
27	40-0340	Shaft - Rear Roller	2
28	36-1740	Roller - Deck	2
29	44-6390	Spacer	1
30	3231-27	Bolt - Carriage	4
31	3211-9	Screw - Cap Hex. Hd.	1
32	68-8340	Decal - Blade Bolt Torque	1
33	3253-21	Washer - Lock	4
34	323-4	Screw - Cap Hex. Hd.	6
36	57-0240	V-Belt	1
37	302-2	Fitting - Grease	3
38	32146-20	Nut - Hex. Jam	3
39	7-4150	Washer	3
40	57-0560	Pulley	3
41	46-8530	Assembly - Bearing	3
42	29-4820	Roller	6
43	57-0580	Bracket - Roller Left Rear	1
*	57-0590	Bracket - Roller Right Rear	1
44	57-0680	Shaft - Roller	4
45	57-0690	Pin - Cotter, Special	5
46	3231-22	Bolt - Carriage	20
47	68-7270	Decal - Rear Weight 70#	1
48	323-7	Screw - Cap Hex. Hd.	4
49	43-8480	Decal - Danger	1
50	3290-224	Washer - Lock	2
51	57-0570	Skid	1

*Not Illustrated



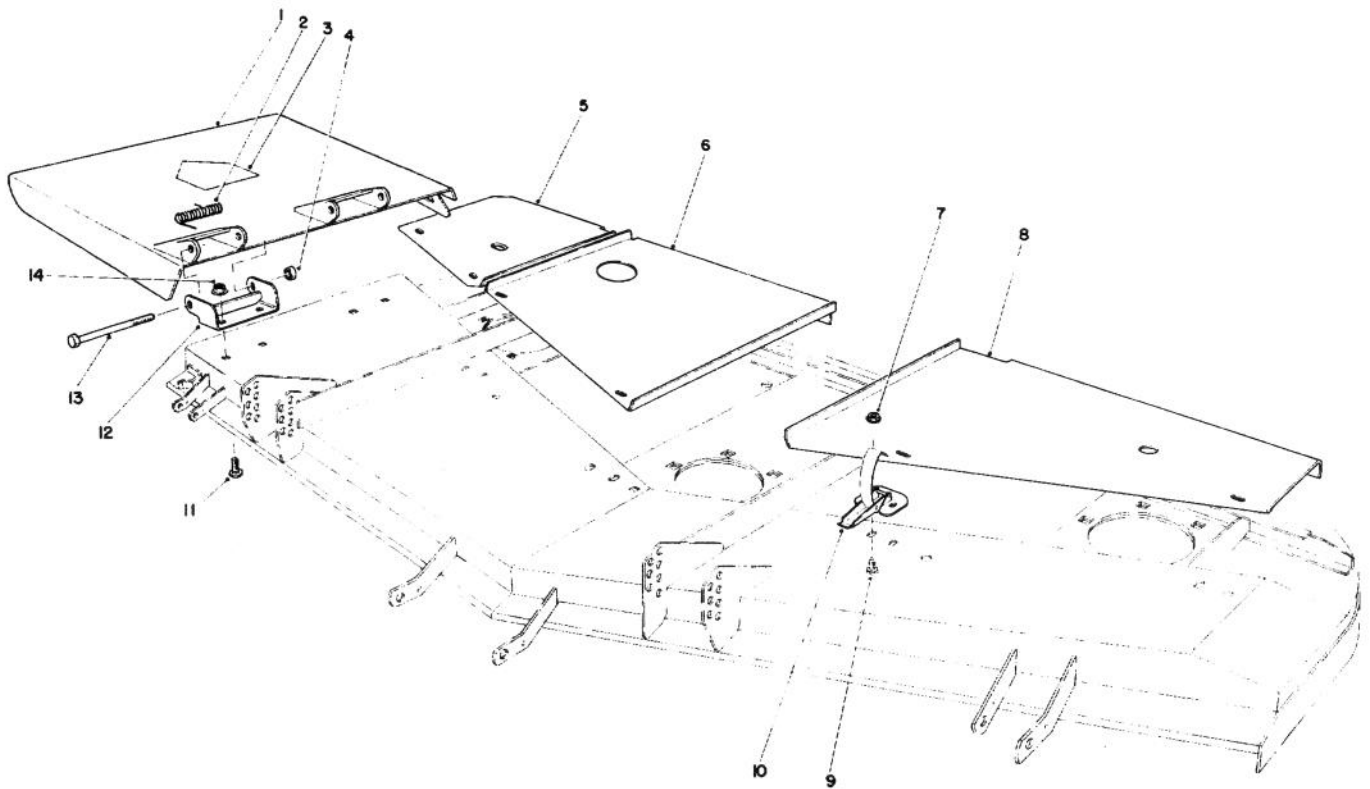
T-0579

72" CUTTING UNIT MODEL NO. 30575 (Continued)

Ref. No.	Part No.	Description	No. Used
52	3256-24	Washer - Flat	A/R
53	32128-21	Nut - Flange	18
54	67-5770	Washer	3
55	44-2200	Screw - Cap, Blade	3
56	72-9361	Cup - Anti-Scalp	3
57	57-0250	Blade	3
58	27-0920	Spindle - Shaft	3
59	27-0950	Spacer - Spindle Bearing	3
60	253-139	Seal - Wave	6

Ref. No.	Part No.	Description	No. Used
61	61-4160	Housing - Spindle	3
62	63-9900	Pulley - Gear Box	1
63	3245-9	Screw - Set, Socket Hd.	2
64	27-6140	Bushing - Taper Lock (Incl. Ref. #63)	1
65	57-0280	Decal - 72	1
66	40-6400	Shaft - Roller	1
*	57-0260	Assy. - Spindle Housing (Incl. Ref. #37-41 & 58-61)	3

*Not Illustrated

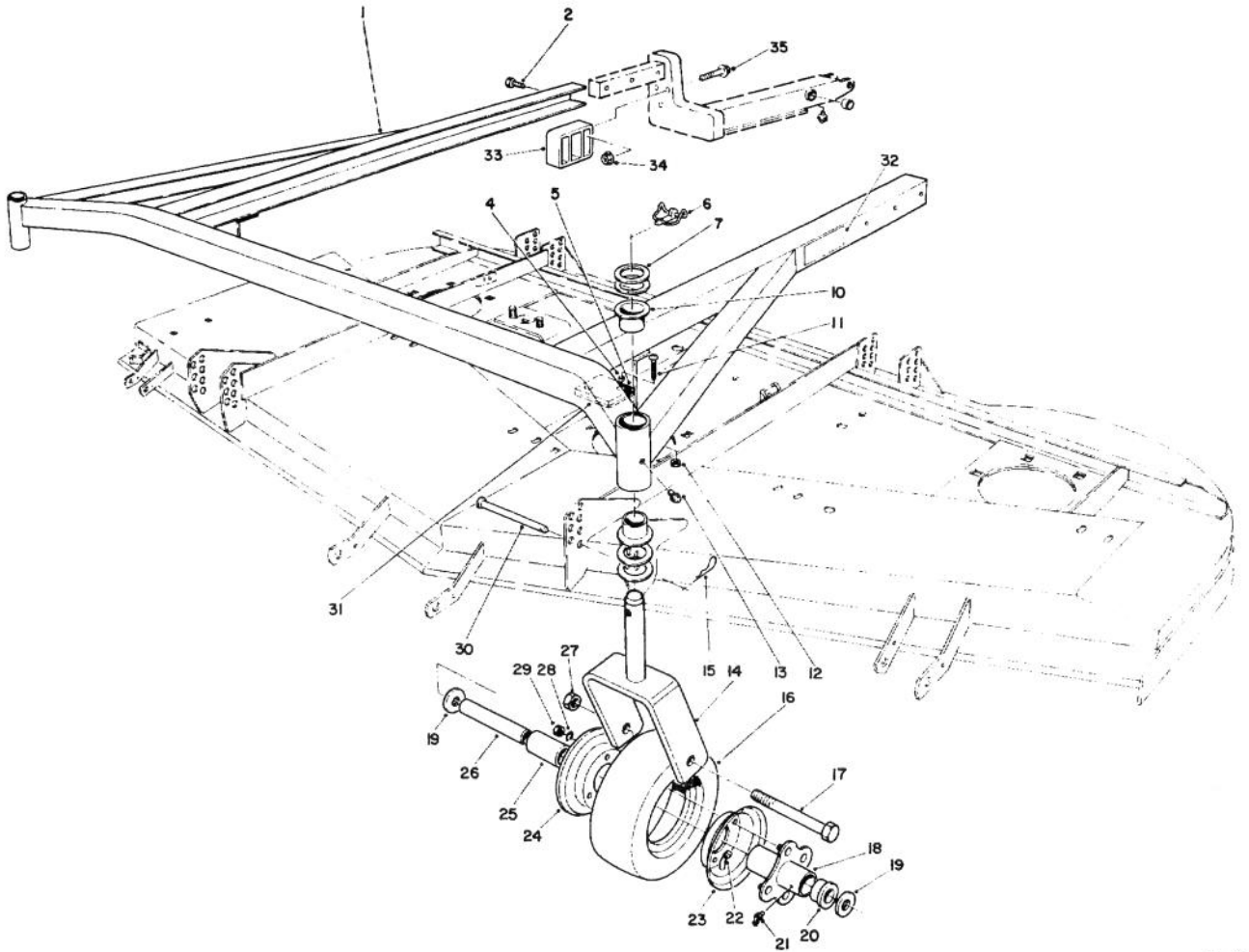


72" CUTTING UNIT MODEL NO. 30575 (Continued)

T-0589

Ref. No.	Part No.	Description	No. Used
1	14-0909	Deflector Assembly (Incl. Ref. #3)	1
2	51-1550	Spring	2
3	43-8480	Decal - Danger	1
4	32153-5	Nut - Lock	2
5	57-0230	Cover - R.H.	1
6	57-0210	Cover - Center	1
7	32128-17	Nut - Lock	12

Ref. No.	Part No.	Description	No. Used
8	57-0220	Cover - L.H.	1
9	3290-321	Screw - Hex Slotted Hd.	12
10	249-21	Latch - Draw	6
11	3231-27	Bolt - Carriage	4
12	51-1530	Bracket - Hinge	2
13	325-17	Screw - Cap Hex. Hd.	2
14	3290-357	Nut - Flange	4



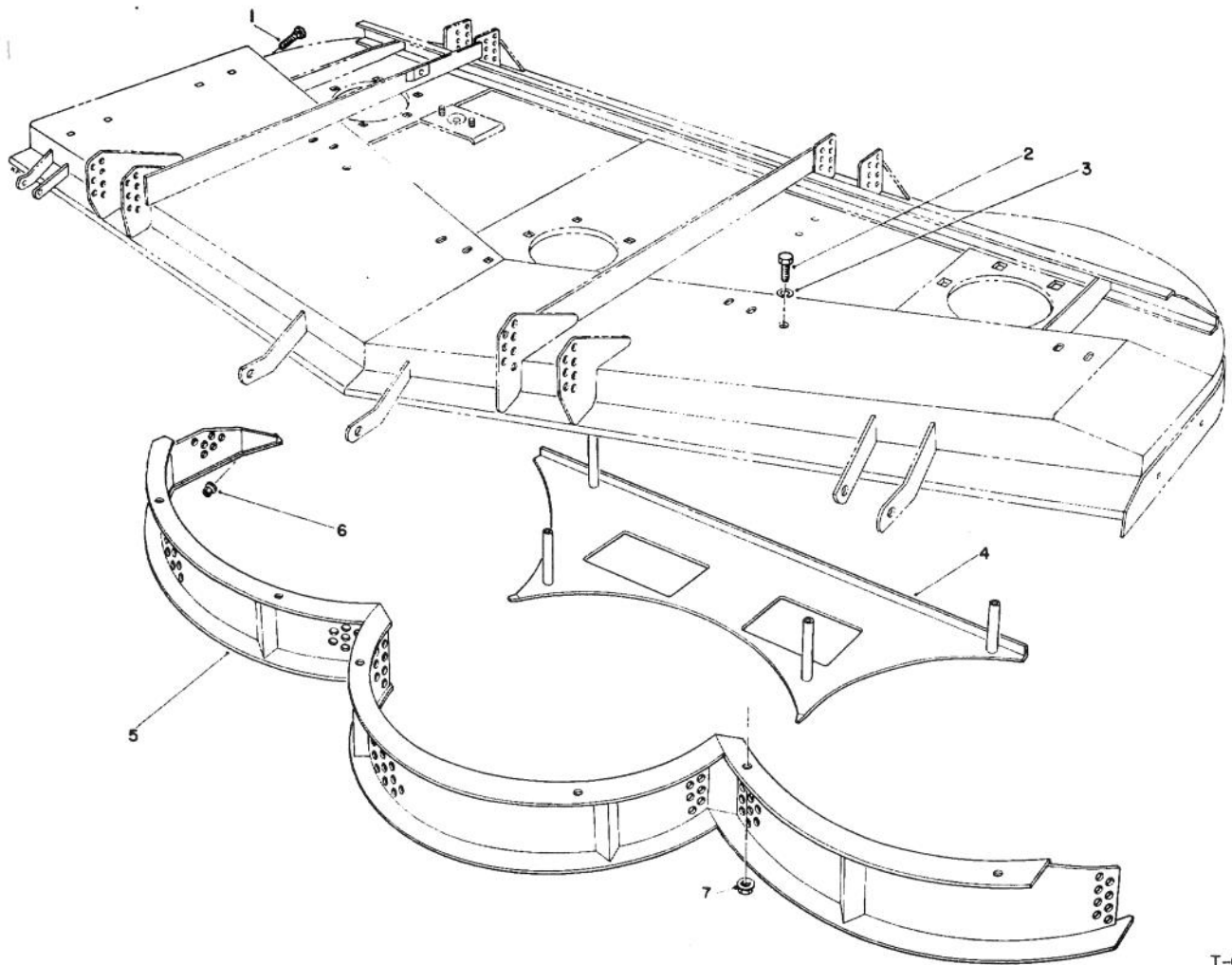
72" CUTTING UNIT MODEL NO. 30575 (Continued)

T-1252

Ref. No.	Part No.	Description	No. Used
1	83-4570	Carrier Frame (Incl. Ref. #10)	1
2	325-32	Screw - Cap Hex. Hd.	6
4	40-9520	Spacer - Split	4
5	40-0330	Cushion - Rubber	2
6	3290-384	Pin - Lynch	2
7	3-6781	Washer - Thrust	8
10	28-9290	Bushing - Special	4
11	32122-28	Screw - Mach. Truss Hd.	4
12	3296-2	Nut - Lock	4
13	302-5	Fitting - Grease	2
14	68-8900	Fork - Castor	2
15	3290-355	Pin - Hair, Cotter	4
16	68-8960	Tire	2
17	325-19	Screw - Cap Hex. Hd.	2
18	68-8940	Hub - Center	2
19	3256-6	Washer - Flat	4
20	62-5580	Bushing	4

Ref. No.	Part No.	Description	No. Used
21	302-61	Fitting - Grease	2
22	68-8950	Tube w/Valve	2
23	68-8920	Wheel Half - Female	2
24	68-8930	Wheel Half - Male	2
25	62-5570	Bearing - Roller	2
26	68-8980	Bushing - Spanner	2
27	32153-5	Nut - Lock	2
28	3253-4	Washer - Lock	8
29	3217-6	Nut - Hex.	8
30	283-55	Pin - Clevis	4
31	42-6200	Shim - Cushion	A/R
32	68-8360	Decal - Height Of Cut	1
33	83-4520	Cradle - Rear	2
34	32128-40	Nut - Flange	6
35	3234-19	Screw - Flange Hd.	6
*	13-3869	Assembly - Castor Wheel (Incl. Ref. #16 -18, 20-25 & 28-29)	1
			2

*Not Illustrated

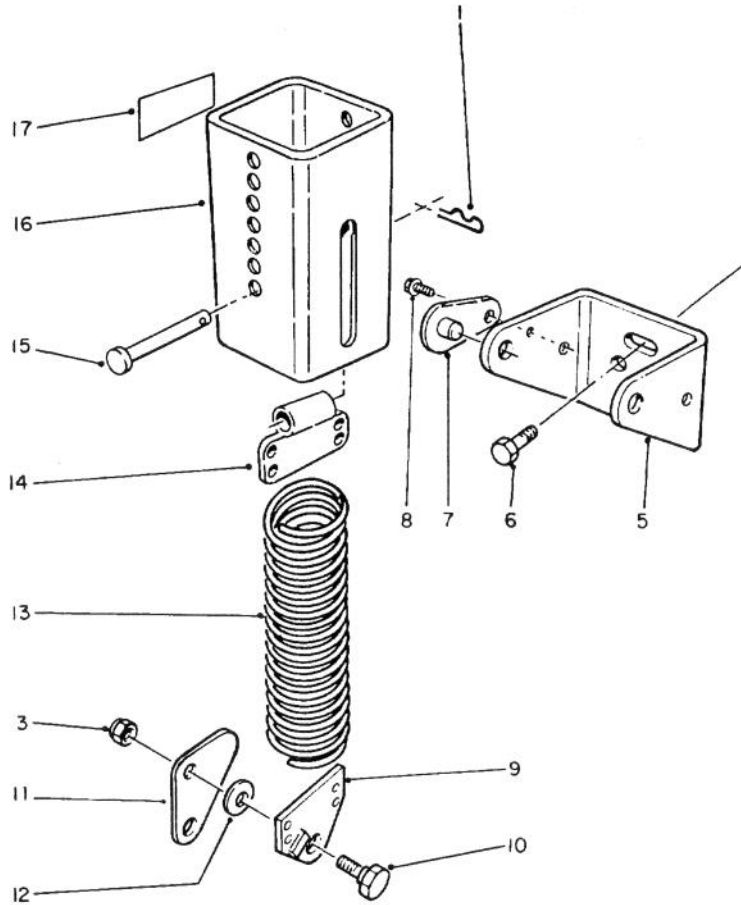


T-0706

72" MULCHER KIT MODEL NO. 30779 (Optional) For Cutting Unit Model No. 30575

Ref. No.	Part No.	Description	No. Used
1	3230-2	Bolt - Carriage	1
2	323-4	Screw - Cap Hex. Hd.	10
3	3253-21	Washer - Lock	10
4	57-0140	Shelf - W.A.	1

Ref. No.	Part No.	Description	No. Used
5	57-0030	Screen - W.A.	1
6	32128-20	Nut - Flange	1
7	3290-357	Nut - Flange	6



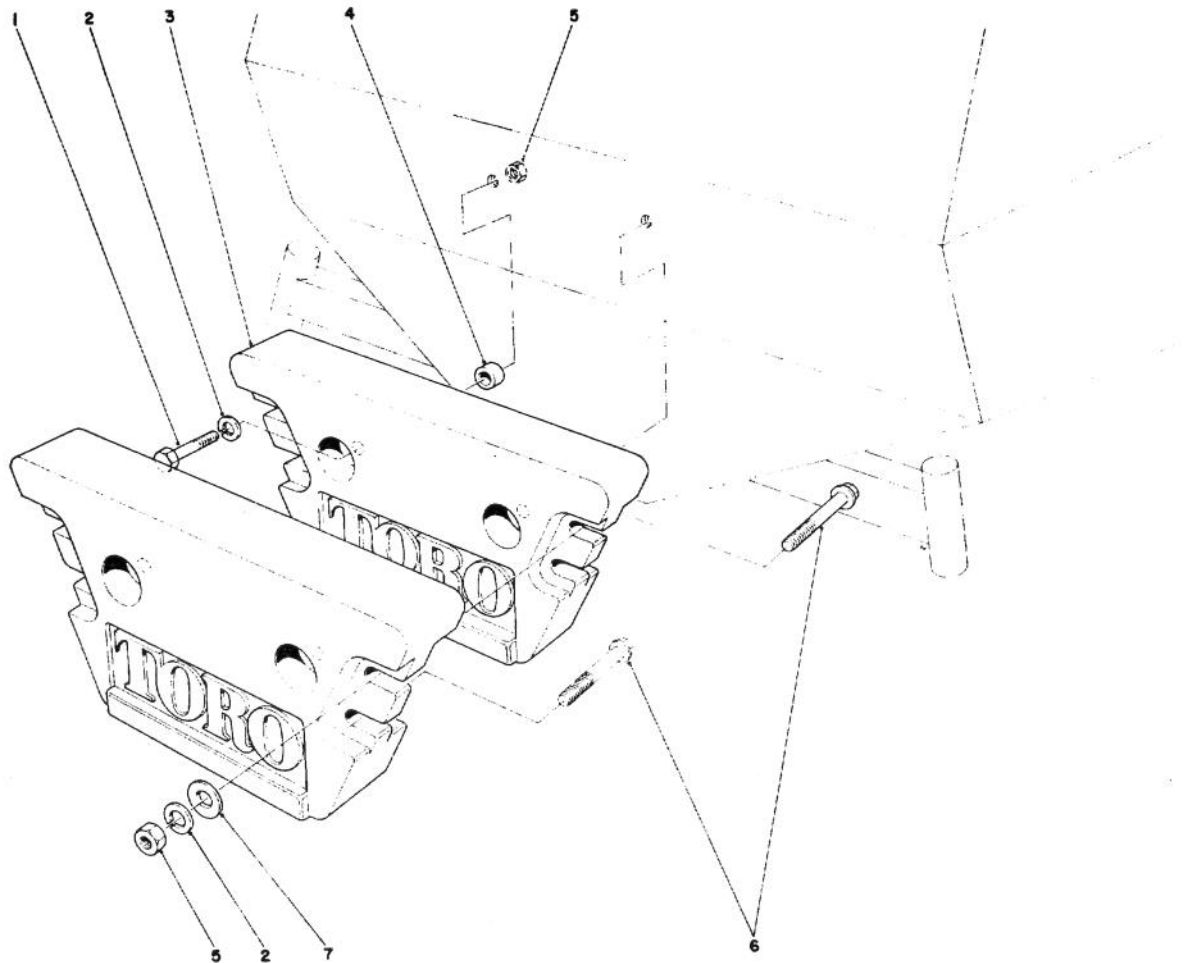
T-1217

72" COUNTER BALANCE KIT PART NO. 70-7010*

Ref. No.	Part No.	Description	No. Used
1	3290-355	Pin - Hair Cotter	2
3	3296-44	Nut - Lock	4
5	66-8230	Bracket - Mounting	2
6	3234-11	Screw - Hex. Flange Hd.	4
7	70-7920	Lock Pin Assembly	4
8	12-3270	Screw - Self Tapping	4
9	66-8420	End - Spring	2
10	46-3380	Bolt - Shoulder	4

Ref. No.	Part No.	Description	No. Used
11	66-8440	Link - Knee	2
12	3256-24	Washer - Flat	4
13	66-8390	Spring - Extension	2
14	70-7940	End - Spring	2
15	283-69	Pin - Clevis	2
16	70-7970	Spring Cover Assembly	2
17	55-4300	Decal - Caution	4

*Furnished with 72" cutting unit model no. 30575.



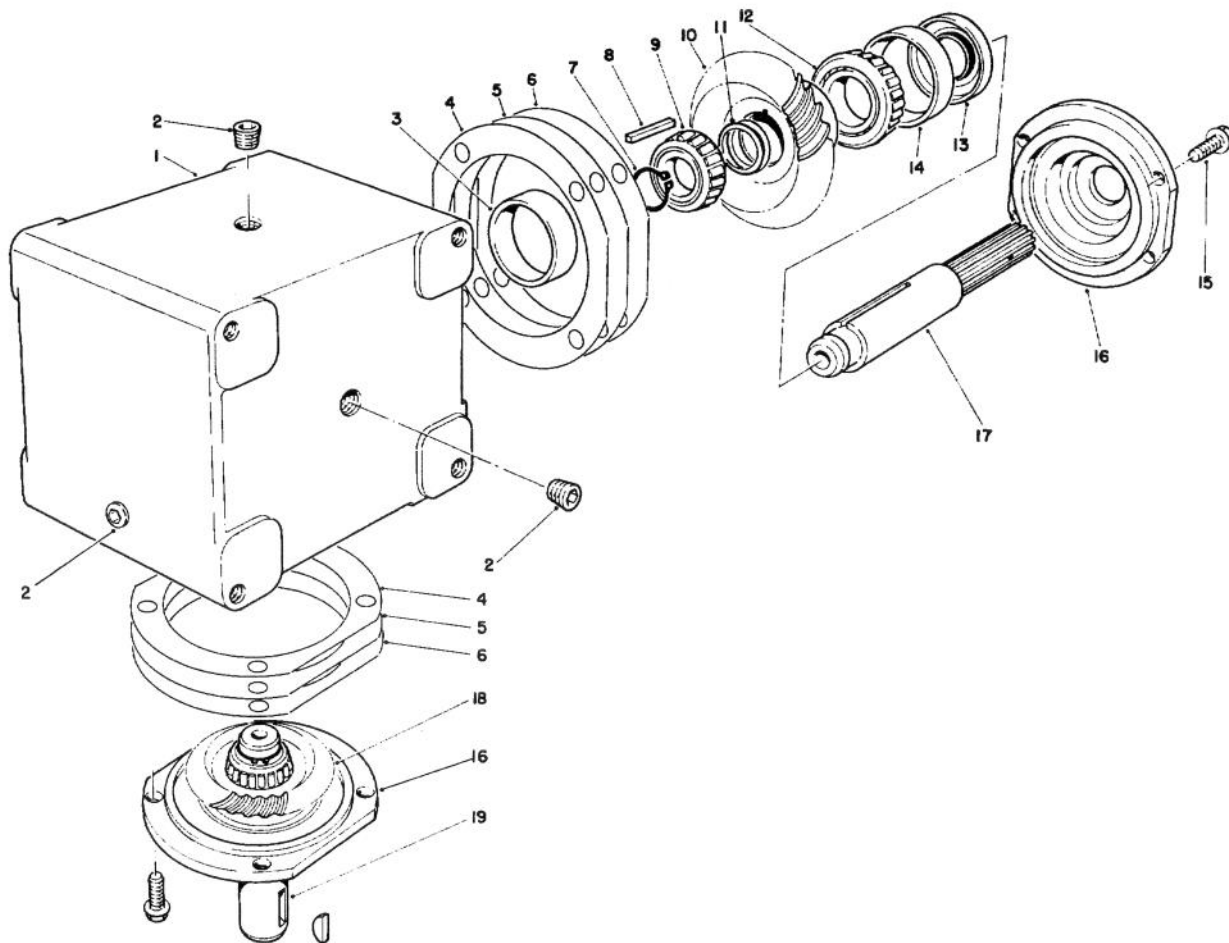
T-0630

†REAR WEIGHT KIT NO. 24-5780

Ref. No.	Part No.	Description	No. Used
1	325-8	Screw - Cap Hex. Hd.	2
2	3253-7	Washer - Lock	6
3	24-5790	Weight - Rear	2
4	57-4230	Spacer	2

Ref. No.	Part No.	Description	No. Used
5	3217-9	Nut - Hex.	6
6	325-14	Screw - Cap Hex. Hd.	4
7	3256-26	Washer - Flat	8

†One kit (2 weights) required on Groundsmaster 220D with 72" Cutting Unit.

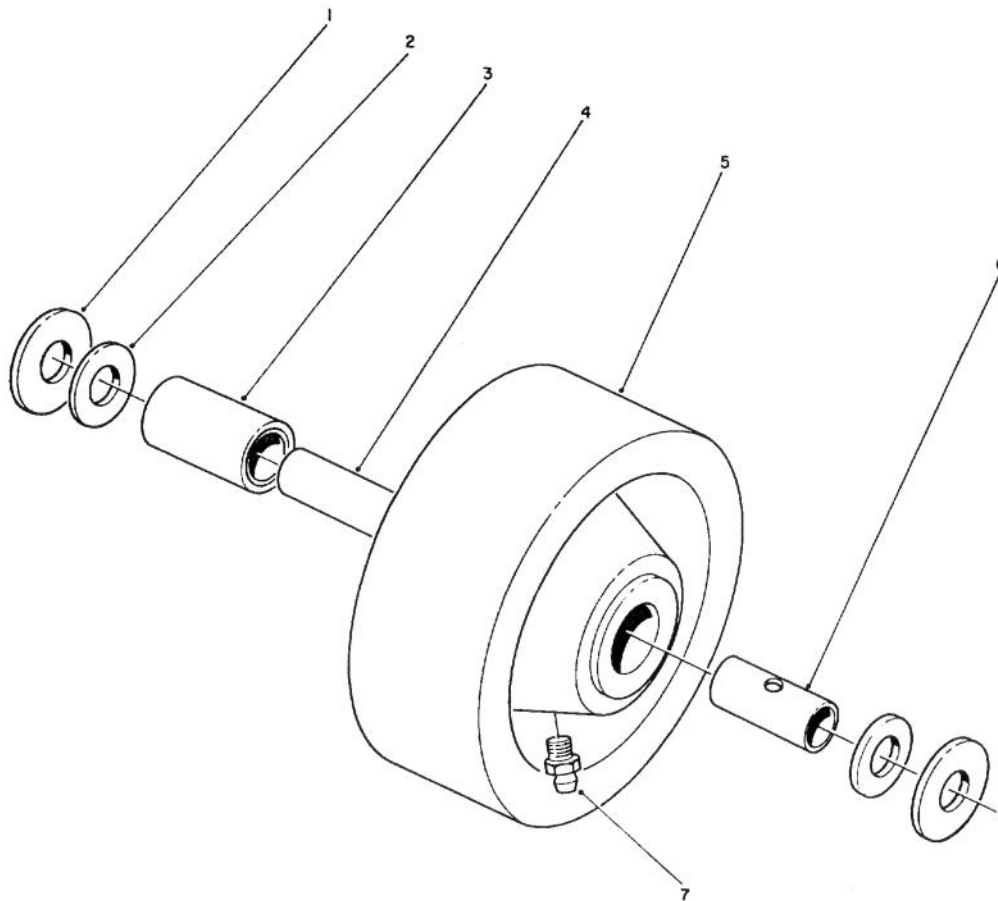


GEAR BOX ASSEMBLY NO. 68-6810

T-0977

Ref. No.	Part No.	Description	No. Used
1	68-7030	Housing	1
2	62-3490	Plug - Pipe (Solid)	4
3	62-3360	Cup - Bearing	2
4	62-3420	Gasket (.015)	A/R
5	62-3430	Gasket (.005)	A/R
6	62-3440	Gasket (.003)	A/R
7	68-7070	Ring - Retaining	2
8	62-3380	Key	2
9	62-3370	Cone - Bearing	2
10	68-7080	Gear	1

Ref. No.	Part No.	Description	No. Used
11	72-9370	Shim (.020)	2
12	62-3330	Cone - Gear	1
13	62-3400	Seal	2
14	62-3340	Cup - Bearing	2
15	62-3310	Screw - Cap	8
16	62-3410	Cap	2
17	68-7040	Shaft	1
18	68-7060	Gear	1
19	68-7050	Shaft	1



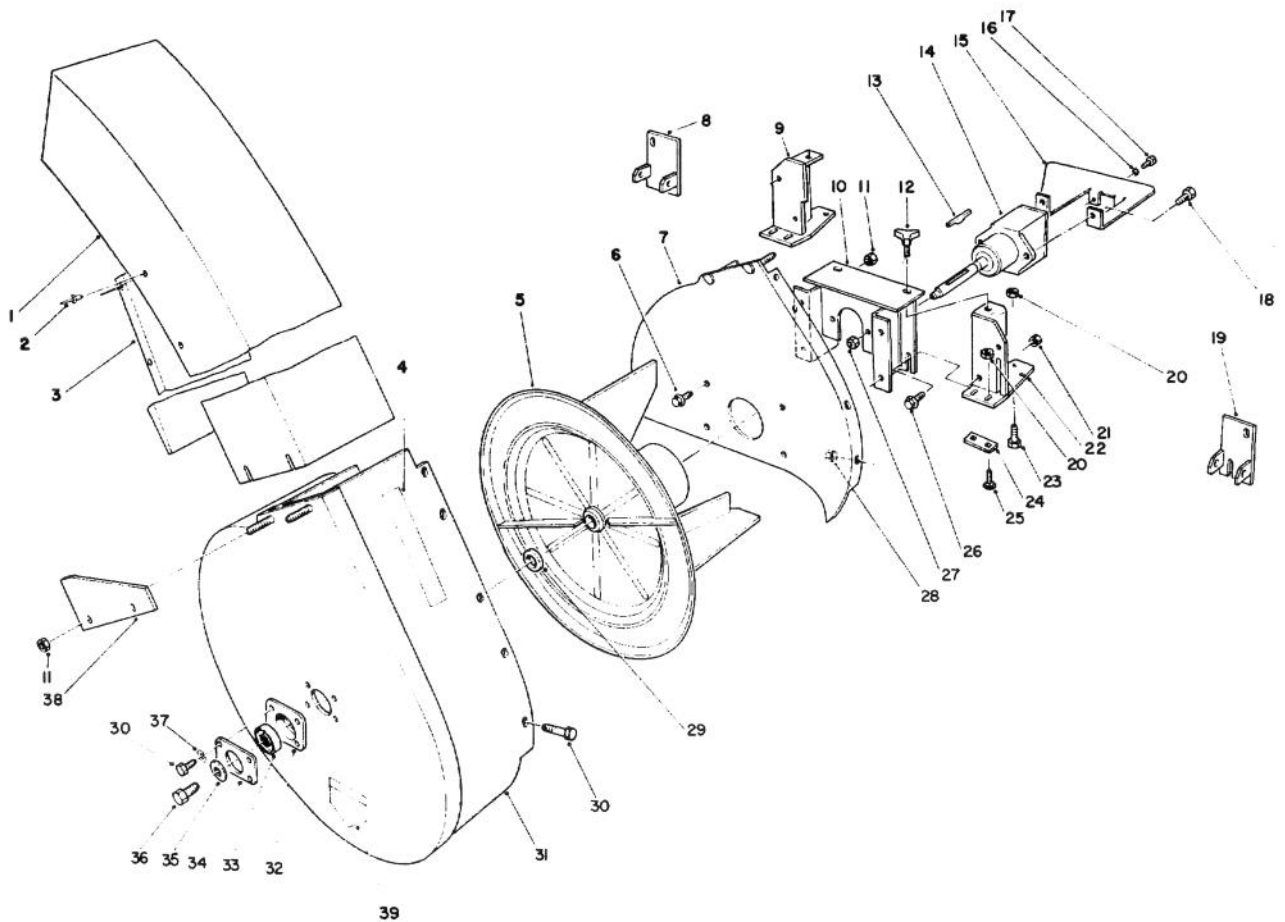
T-0633

PHENOLIC WHEEL ASSEMBLY NO. 27-1050 (Optional)

Ref. No.	Part No.	Description	No. Used
1	27-1170	Washer - Thrust	2
2	27-1180	Retainer - Bearing	2
3	27-121 0	Bearing - Roller	1
†4	68-8980	Bushing - Spanner	1

Ref. No.	Part No.	Description	No. Used
5	27-1190	Wheel - Caster	1
6	27-1200	Bushing - Spanner	1
7	302-55	Fitting - Grease	1

†Must be ordered separately for use with 1/2" bolt.

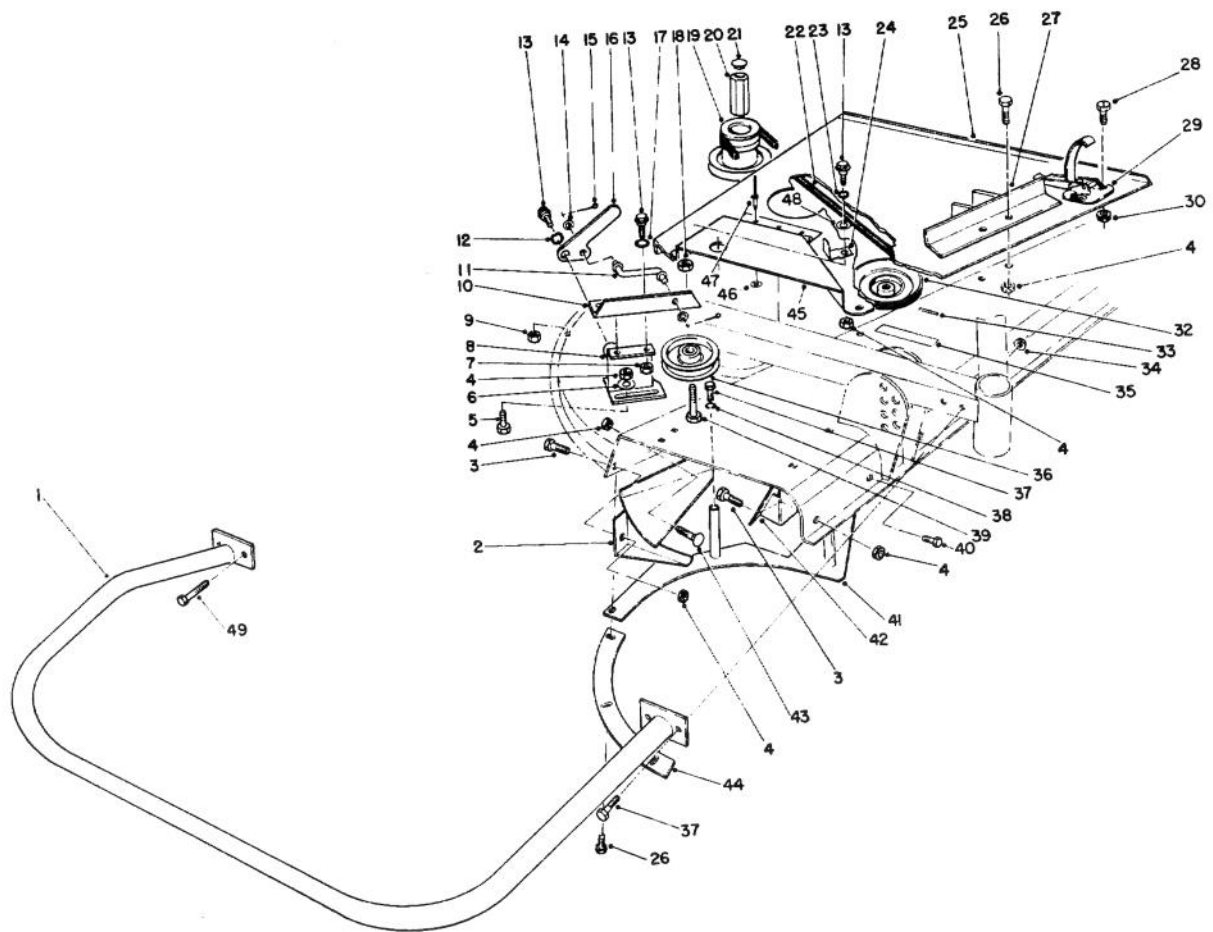


52" BLOWER KIT MODEL NO. 30502 (Optional)

T-0601

Ref. No.	Part No.	Description	No. Used
1	44-5300	Assembly - Chute (Incl. Ref. #2 & 3)	1
2	3290-409	Rivet	8
3		Deflector - Chute	1
4	82-5510	Decal - Warning	1
5	56-4780	Impeller	1
6	3234-14	Screw - Flange	4
7	59-5070	Plate - Mounting	1
8	59-4980	Bracket - Deflector L.H.	1
9	59-5050	Bracket - L.H.	1
10	59-5140	Mount - Blower	1
11	3296-29	Nut - Lock	8
12	62-6520	Knob	2
13	3257-40	Key - Hi Pro	1
14	53-4530	Assembly - Gear Box	1
15	59-5150	Cover - Gear Box	1
16	3255-17	Washer - Lock	2
17	3290-134	Screw - Cap Hex. Hd.	2
18	323-7	Screw - Cap Hex. Hd.	2
19	59-5000	Bracket - Deflector R.H.	1
20	32152-1	Nut - Lock	6

Ref. No.	Part No.	Description	No. Used
21	3218-3	Nut - Jam	2
22	59-5090	Bracket - R.H.	1
23	322-3	Screw - Cap Hex. Hd.	2
24	44-5460	Plate - Bracket	2
25	3230-1	Bolt - Carriage	4
26	3234-11	Screw - Flange	2
27	3296-44	Nut - Lock	2
28	3296-42	Nut - Lock	9
29	63-9710	Spacer - Bearing	1
30	321-3	Screw - Cap Hex. Hd.	13
31	13-0269	Housing - Blower (Incl. Ref. #4 & 39)	1
32	37-6730	Cup - Bearing	1
33	38-7820	Bearing - Ball	1
34	63-9700	Plate - Cover	1
35	43-0940	Spacer - Blower Hub	1
36	3235-22	Screw - Cap Hex. Hd.	1
37	3253-3	Washer - Lock	4
38	43-0960	Bracket - Chute	1
39	43-8480	Decal - Danger	2



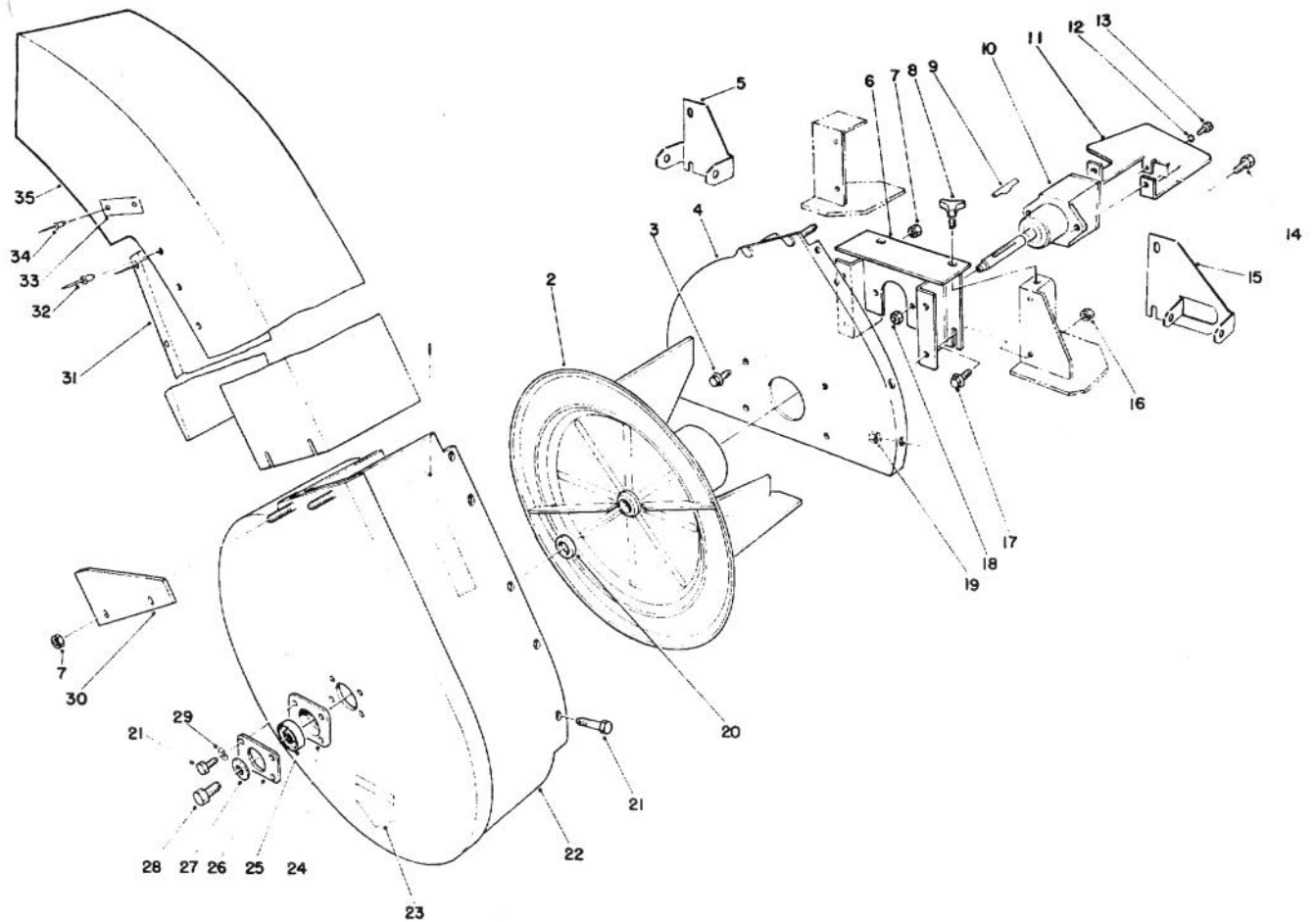
T-0602A

52" BLOWER KIT MODEL NO. 30502 (Optional) (Continued)

Ref. No.	Part No.	Description	No. Used	Ref. No.	Part No.	Description	No. Used
1	70-8050	Bumper	1	27	77-0160	Bracket - Spring	1
2	43-1060	Deflector - Rear	1	28	3290-321	Screw - Machine	4
3	322-4	Screw - Cap Hex. Hd.	2	29	249-21	Latch - Draw	2
4	32152-1	Nut - Lock	10	30	32128-17	Nut - Flange	4
5	322-3	Screw - Cap Hex. Hd.	3	31	32153-4	Nut - Lock	2
6	3256-56	Washer - Flat	3	32	56-4810	Pulley - Gear Box	1
7	3296-29	Nut - Hex.	2	33	32121-8	Pin - Roll	1
8	59-4920	Bracket - Idler Mounting	1	34	32128-43	Nut - Lock	2
9	32152-4	Nut - Lock	5	35	43-1120	Decal - Warning	1
10	59-4930	Slide - Idler	1	36	56-4920	Pulley - Idler	1
11	59-4940	Rod - Idler	1	37	323-6	Screw - Cap Hex. Hd.	6
12	3290-211	Washer - Spring	1	38	3253-21	Washer - Lock	4
13	19-1470	Bolt - Shoulder	4	39	323-7	Screw - Cap Hex. Hd.	1
14	3256-23	Washer - Flat	2	40	322-2	Screw - Cap Hex. Hd.	2
15	3272-6	Pin - Cotter	2	41	44-7770	Shelf - Rear	1
16	56-4900	Lever - Idler	1	42	67-7540	Deflector - Front	1
17	23-1120	Washer - Flat	1	43	3230-1	Bolt - Carriage	2
18	3296-44	Nut - Hex.	1	44	44-7780	Shelf - R.H.	1
19	59-5170	Pulley (Splined)	1	45	77-0130	Cover - Pulley	1
20	59-5190	Nut - Pulley	1	46	3256-13	Washer - Flat	3
21	59-5310	Cover - Nut	1	47	3290-55	Rivet - Pop	3
22	59-5270	V-Belt	1	48	3256-4	Washer - Flat	1
23	3290-211	Washer - Spring	1	49	325-32	Screw - Cap Hex. Hd.	2
24	59-5290	Latch	1	*	44-5480	Blade - High Sail (18") (Optional)	1
25	77-0180	Assembly - Cover, Right	1	*†	32128-23	Nut - Flange	2
26	321-4	Screw - Cap Hex. Hd.	7				

*Not Illustrated

†Required on older units for mounting Bumper No. 70-8050 to carrier frame.



T-1164

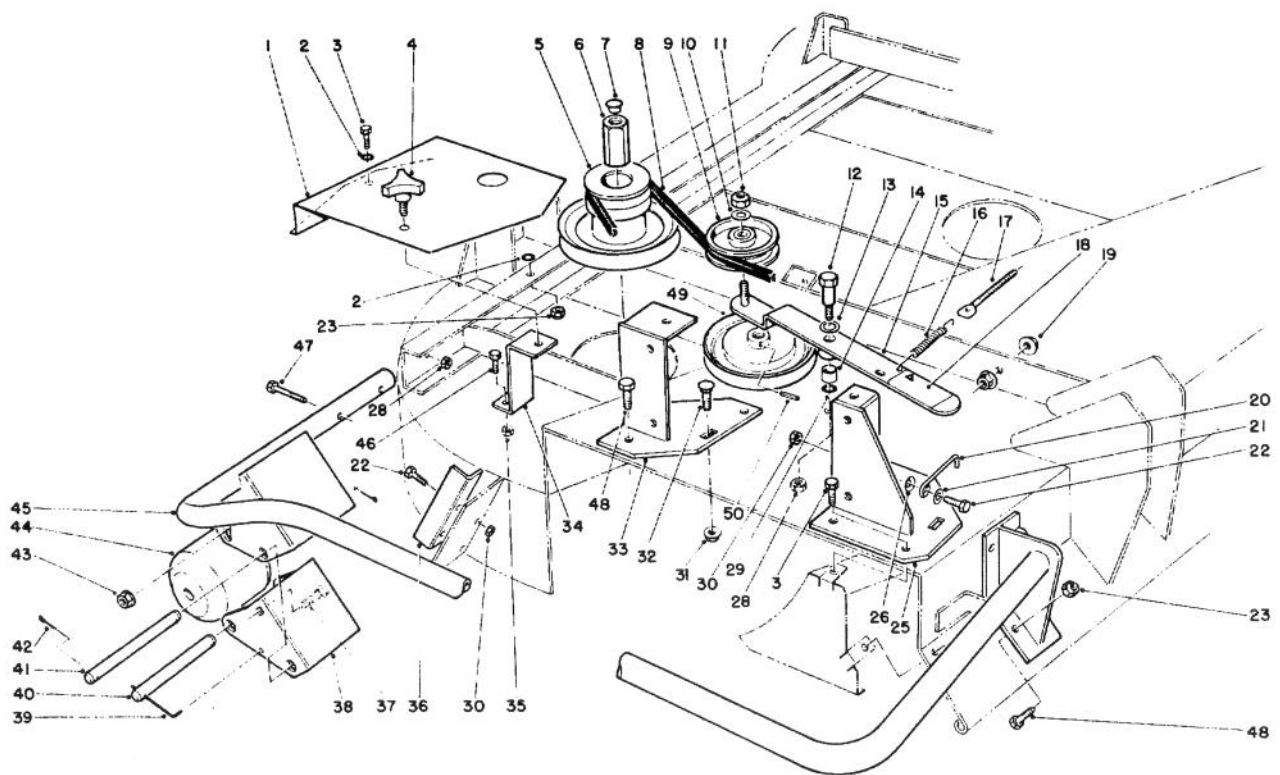
62" BLOWER KIT MODEL NO. 30503 (Optional)

Ref. No.	Part No.	Description	No. Used
1	82-5510	Decal - Warning	1
2	56-4780	Impeller	1
3	3234-14	Screw - Flange Hd.	4
4	77-5820	Plate W.A. - Mounting	1
5	80-2820	Bracket - Pivot, L.H.	1
6	77-5440	Mount - Blower W.A.	1
7	3296-29	Nut - Lock	8
8	62-6520	Knob	2
9	3257-40	Key - Hi Pro	1
10	53-4530	Gear Box Assembly	1
11	77-5630	Cover - Gear Box	1
12	3255-17	Washer - Lock	2
13	3290-134	Screw - Cap Hex. Hd.	2
14	323-7	Screw - Cap Hex. Hd.	2
15	80-2810	Bracket - Pivot R.H.	1
16	3218-3	Nut - Jam	2
17	3234-11	Screw - Flange Hd.	2
18	3296-44	Nut - Lock	2
19	3296-42	Nut - Lock	9

Ref. No.	Part No.	Description	No. Used
20	63-9710	Spacer - Bearing	2
21	321-3	Screw - Cap Hex. Hd.	13
22	13-0269	Housing - Blower (Incl. Ref. #1 & 23)	1
23	43-8480	Decal - Danger	1
24	37-6730	Cup - Bearing	1
25	38-7820	Bearing - Ball	1
26	63-9700	Cover - Plate	1
27	43-0940	Spacer - Hub, Blower	1
28	3235-22	Screw - Cap Hex. Hd.	1
29	3253-3	Washer - Lock	4
30	43-0960	Bracket - Chute	2
31		Deflector - Chute	1
32	3290-409	Rivet	6
33	80-4670	Plate	2
34	3290-271	Rivet	4
35	80-3720	Chute Assembly (Incl. Ref. #32-34)	1
*†	66-8390	Spring - Heavy Duty	1

*Not Illustrated

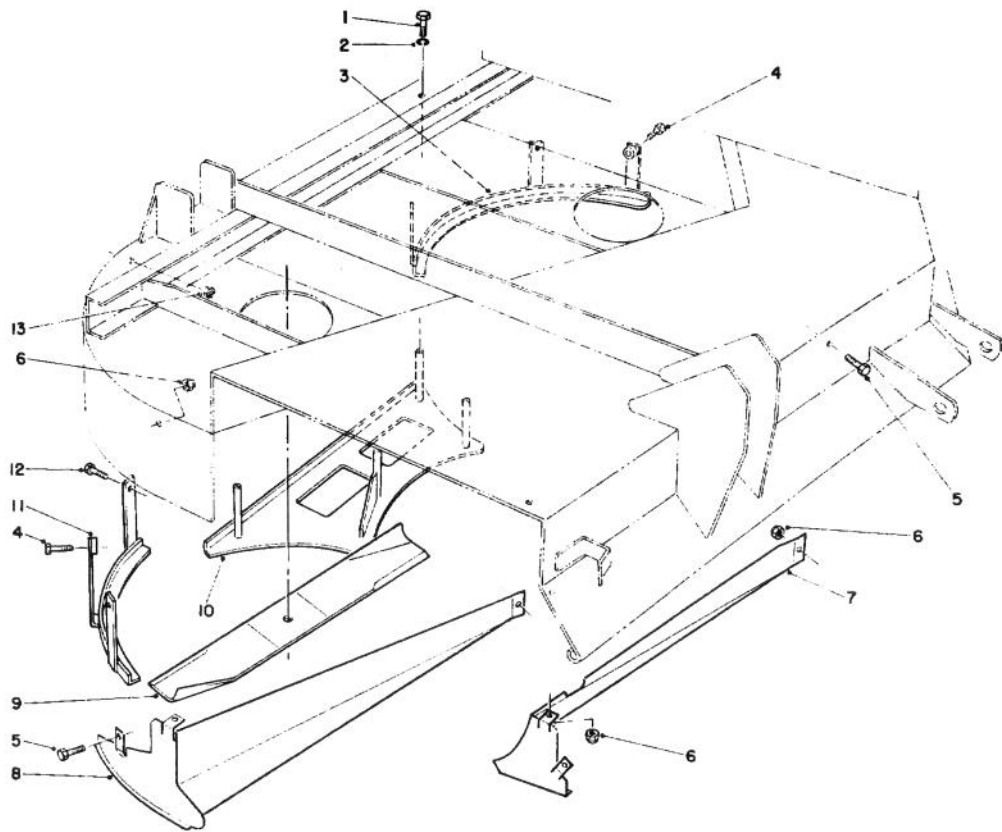
†Heavy duty spring no. 66-8390 used on discharge side of cutting unit with blower.



T-1167A

62" BLOWER KIT MODEL NO. 30503 (Optional) (Continued)

Ref. No.	Part No.	Description	No. Used	Ref. No.	Part No.	Description	No. Used
1	77-5620	Cover - Deck, R.H.	1	26	3290-451	Washer - Belleville	1
2	3256-23	Washer - Flat	2	28	3296-39	Nut - Lock	3
3	322-5	Screw - Cap Hex. Hd.	2	29	257-9	Washer - Thrust	1
4	62-6520	Knob	1	30	3296-42	Nut - Lock	3
5	77-5420	Pulley W.A. - Splined	1	31	3290-357	Nut - Flange	4
6	59-5190	Nut - Pulley	1	32	3231-27	Bolt - Carriage	4
7	59-5310	Cover - Nut	1	33	77-5560	Bracket W.A. - L.H.	1
8	80-3590	V-Belt	1	34	77-5600	Support - Cover	1
9	56-4920	Pulley - Idler	1	35	32146-18	Nut	2
10	3256-38	Washer - Flat	1	36	80-3550	Stop - Deflector	1
11	3296-59	Nut - Lock	1	37	3231-22	Bolt - Carriage	2
12	80-3250	Screw - Pivot	1	38	80-3450	Bracket - Roller	1
13	257-10	Washer	1	39	80-3230	Pin - Special	1
14	256-206	Bushing	1	40	80-3440	Shaft - Roller	1
15	80-3310	Assembly - Arm (Incl. Ref. #14 & 18)	1	41	80-3200	Shaft	1
16	37-8880	Spring	1	42	3272-11	Pin - Cotter	3
17	80-3560	Rod - Threaded	1	43	32128-43	Nut - Lock	2
18	55-4300	Decal	1	44	80-3580	Roller	1
19	32128-20	Nut - Flange	2	45	77-6940	Bumper W.A.	1
20	80-3570	Hook	1	46	3290-134	Screw - Cap Hex. Hd.	2
21	3256-22	Washer - Flat	1	47	323-19	Screw - Cap Hex. Hd.	2
22	321-4	Screw - Cap Hex. Hd.	3	48	322-3	Screw - Cap Hex. Hd.	8
23	3296-29	Nut - Lock	9	49	56-4810	Pulley - W.A. Gear Box	1
25	77-5520	Bracket W.A. - R.H.	1	50	32121-8	Pin - Roll	1

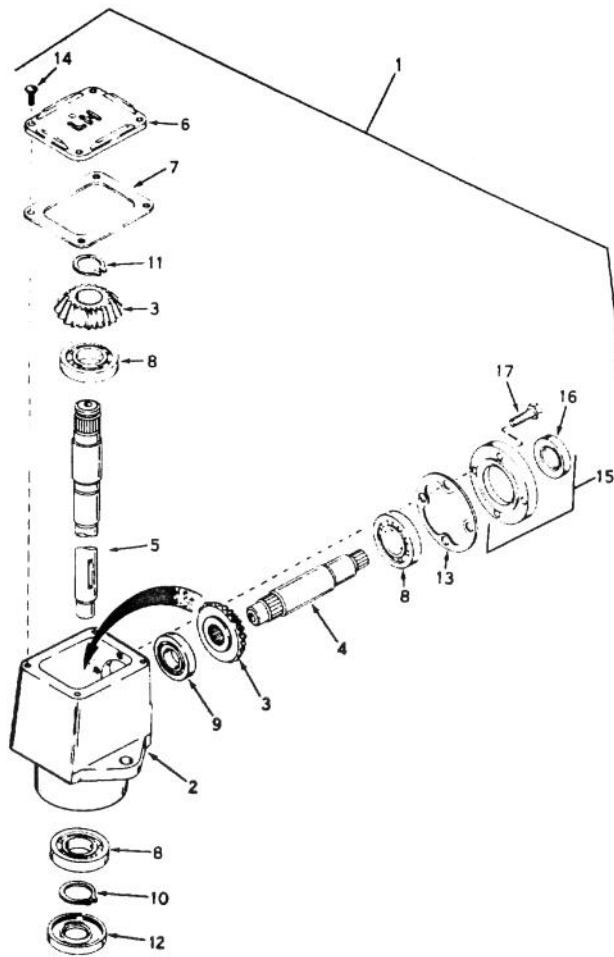


62" BLOWER KIT MODEL 30503 (Optional)(Continued)

T-1167

Ref. No.	Part No.	Description	No. Used
1	323-6	Screw - Cap Hex. Hd.	4
2	3253-21	Washer - Lock	4
3	77-5930	Shelf W.A. - Bottom, Left	1
4	321-6	Screw - Cap Hex. Hd.	3
5	322-2	Screw - Cap Hex. Hd.	5
6	3296-29	Nut - Lock	6
7	77-5740	Deflector W.A. - Front	1
8	77-5670	Deflector W.A. - Rear	1

Ref. No.	Part No.	Description	No. Used
9	77-6710	Blade	3
10	77-5640	Shelf W.A. - Rear	1
11	77-5850	Shelf W.A. - Right	1
12	321-4	Screw - Cap Hex. Hd.	3
13	3296-42	Nut - Lock	6

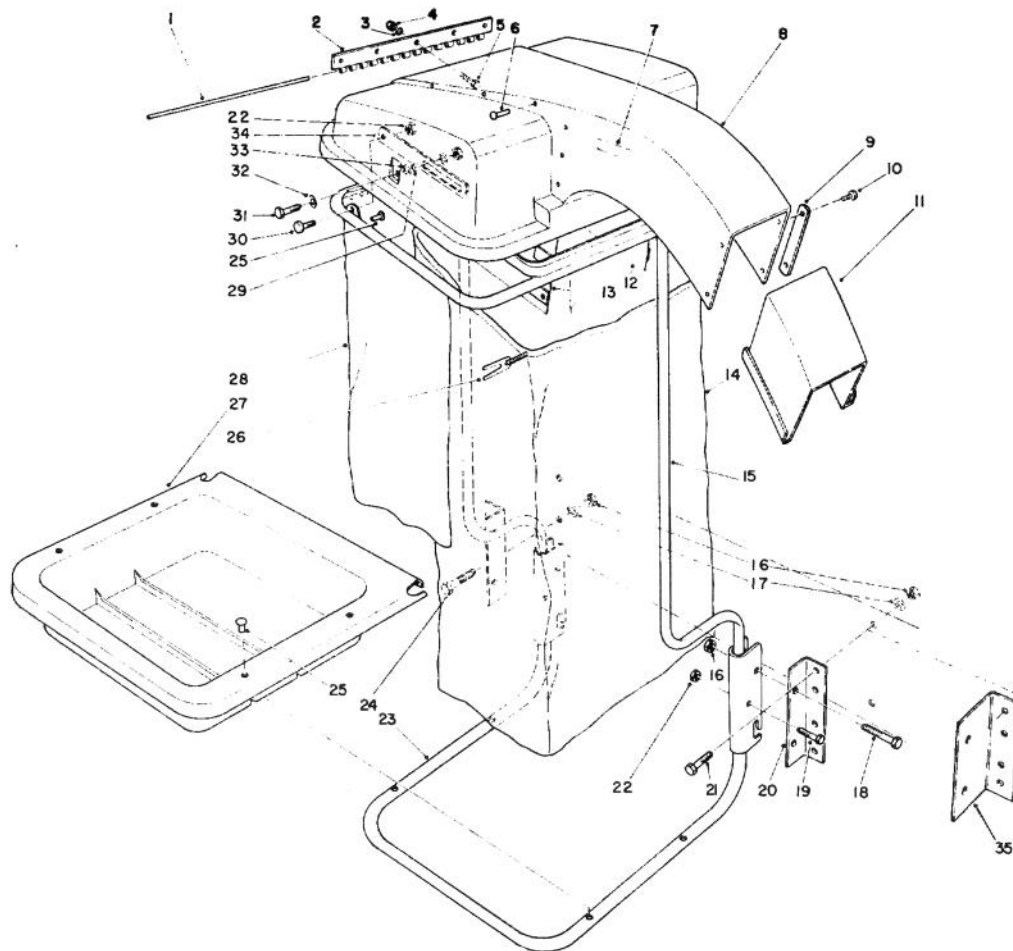


T-1168-90

GEAR BOX ASSEMBLY 53-4530

Ref. No.	Part No.	Description	No. Used
1	794402	Assembly - Head, L.H. (Incl. Ref.#2-15)	1
2	770026A	Housing - Right Angle Drive	1
3	778046	Gear - Miter	2
4	776250	Shaft - Input	1
5	776249	Shaft - Output	1
6	772035	Cover	1
7	788028	Gasket - Cover	1
8	780034	Bearing - Ball	3
9	780024	Bearing - Ball	1

Ref. No.	Part No.	Description	No. Used
10	788019	Ring - Snap	1
11	788018	Ring - Snap	1
12	788029	Seal - Oil	1
13	788030	Gasket - Cap	1
14	792025	Screw - Rd. Hd. Self-Tap.	4
15	786029	Assy. - Cap/Seal Retainer (Incl. Ref.#16 & 17)	1
16	788031	Seal - Oil	1
17	792026	Screw - Cap Hex. Hd.	4



9 CU. FT. HOPPER KIT MODEL NO. 30504 (Optional)

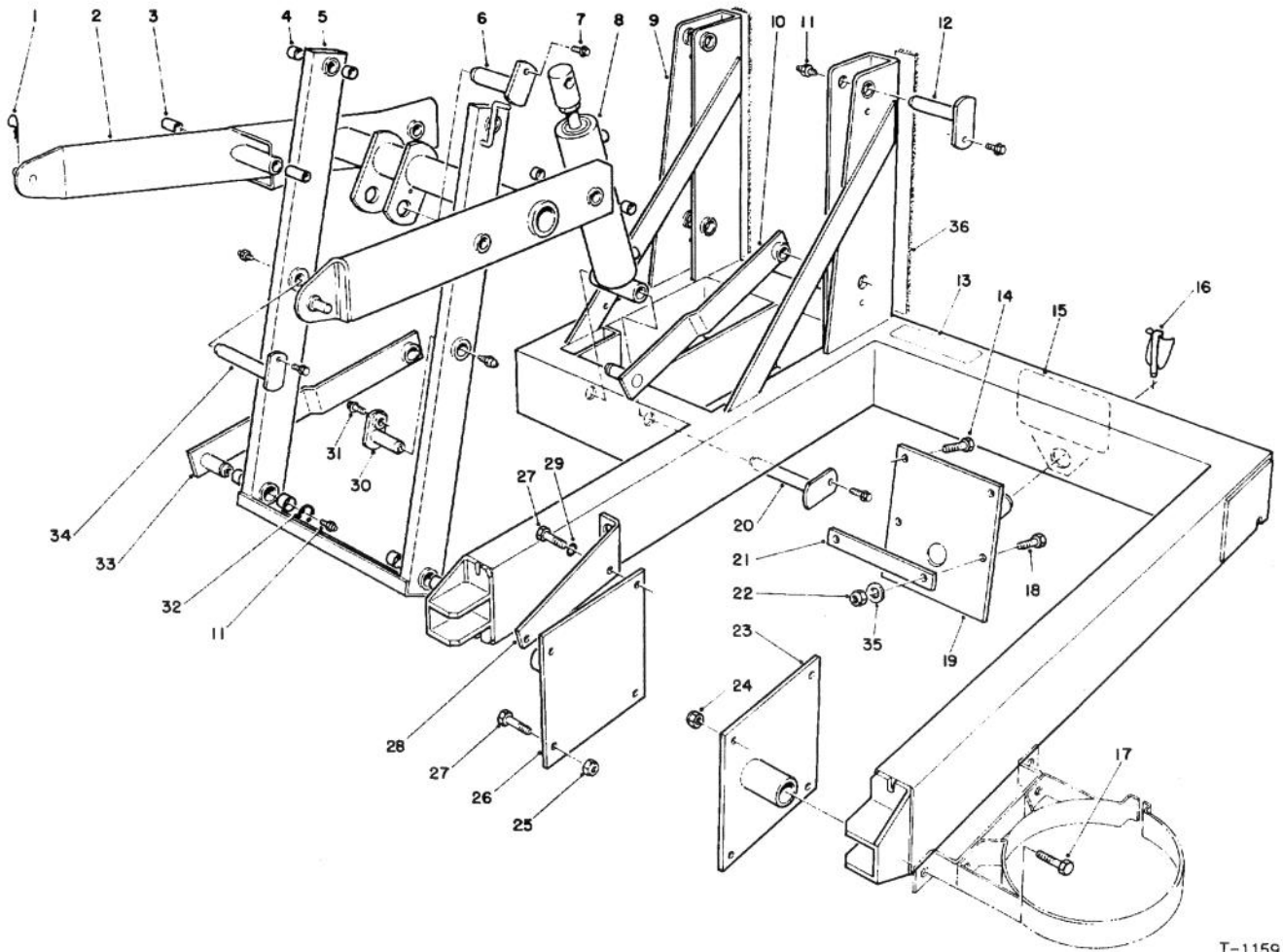
T-0603

Ref. No.	Part No.	Description	No. Used
1	43-1000	Pin - Hinge, Hood	1
2	43-0610	Hinge - Half	1
3	3256-14	Washer - Flat	5
4	3296-2	Nut - Lock	5
5	3290-134	Screw - Mach. Hex. Hd.	5
6	3290-412	Rivet - Pop	14
7	43-1100	Decal - Caution	2
8	13-1649	Hood Assembly (Incl. Ref. #7)	1
9	67-1730	Plate - Nut	2
10	3274-31	Screw - Button Head	4
11	77-0680	Extension - Snout	1
12	43-0600	Screen - Left Hand	1
13	43-0570	Screen - Right Hand	1
14	43-0990	Bag - Cloth 32" (7 bushel capacity)	1
*	43-0980	Bag - Cloth 38" (10 bushel capacity) (Optional)	1
15	67-7500	Upper Support Tube Assy. (Incl. Ref. #25 & 28)	1
16	32152-2	Nut - Lock	12
17	3256-3	Washer - Flat	8

Ref. No.	Part No.	Description	No. Used
18	323-11	Screw - Cap Hex. Hd.	4
19	322-11	Screw - Cap Hex. Hd.	2
20	43-1010	Bracket - Frame (For use with 52" Blower)	4
21	323-7	Screw - Cap Hex. Hd.	7
22	32152-1	Nut - Lock	6
23	43-0720	Lower Support Tube Assy. (Incl. Ref. #25 & 27)	1
24	323-10	Screw - Cap Hex. Hd.	1
25	3290-409	Rivet - Pop	21
26	3-2781	Retainer - Cord	1
*†	36-7770	Retainer - Cord (Optional)	1
27		Tray - Lower	1
28		Skirt - Bagging Frame	1
29	43-1020	Spacer - Pivot Arm	2
30	322-3	Screw - Cap Hex. Hd.	2
31	322-4	Screw - Cap Hex. Hd.	2
32	3256-56	Washer - Flat	2
33	3256-57	Washer - Fender	4
34	43-1051	Stop - Hood	2
35	76-1990	Bracket - Frame (For use with 62" Blower)	4
*	44-9720	Template - Bracket	1

*Not Illustrated

†For use with 30 Gallon Plastic Bag.



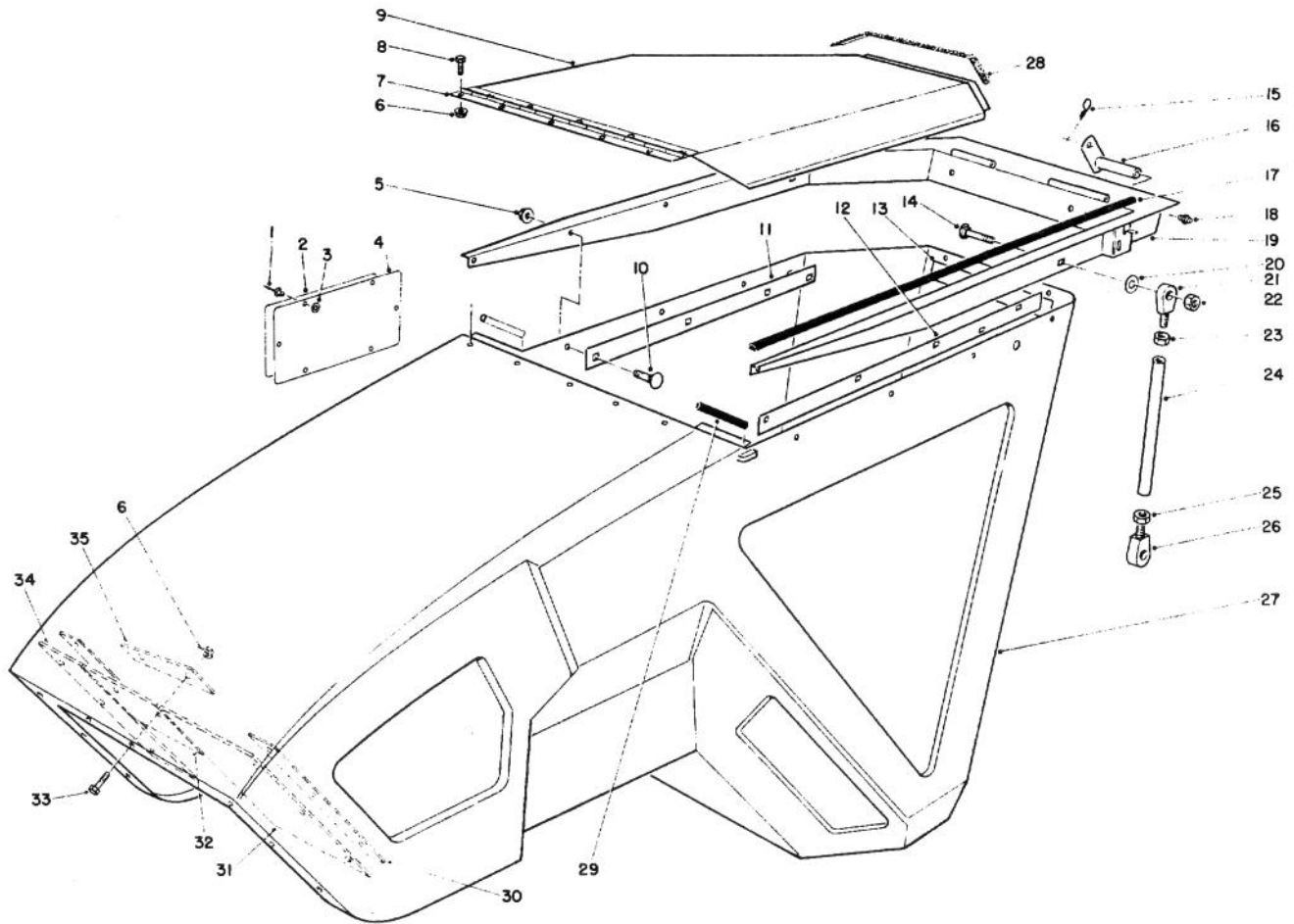
T-1159

15 CU. FT. HOPPER KIT MODEL 30505 (Optional)

Ref. No.	Part No.	Description	No. Used
1	3290-355	Pin - Cotter, Hair	2
2	77-6740	Arm W.A. - Lift, Main (Incl. Ref. #3 & 4)	1
3	256-77	Bushing	2
4	256-76	Bushing	14
5	77-6750	Arm W.A. (Incl. Ref. #4)	1
6	77-6560	Pin - Mount, Cylinder	1
7	12-3270	Screw - Hex. Washer Hd.	6
8	77-5950	Cylinder - Lift	1
9	77-6000	Frame W.A. - Main (Incl. Ref. #13, 15 & 36)	1
10	77-6360	Arm W.A. - L.H., Lower (Incl. Ref. #11)	1
11	302-5	Fitting - Grease	8
12	77-6600	Pin (Incl. Ref. #11)	4
13	80-4650	Decal	1
14	325-5	Screw - Cap Hex. Hd.	2
15	62-5550	Decal - Toro	1
16	3290-384	Pin - Disconnect	1
17	322-6	Screw - Cap Hex. Hd.	4
18	325-6	Screw - Cap Hex. Hd.	2
19	77-6160	Bracket W.A. - Rear	1

Ref. No.	Part No.	Description	No. Used
20	77-6561	Pin	1
21	77-6690	Strap	2
22	3296-25	Nut - Lock	4
23	77-6240	Bracket W.A. - Side, L.H.	1
24	3296-29	Nut - Lock	4
25	32152-2	Nut	2
26	77-6210	Bracket W.A. - Side, R.H.	1
27	323-6	Screw - Cap Hex. Hd.	4
28	77-6670	Bracket - Coupler	1
29	3253-5	Washer - Lock	2
30	77-6602	Pin (Incl. Ref. #11)	1
31	49-2040	Screw - Hex. Washer Hd.	2
32	32151-48	Ring - Retaining	2
33	77-6390	Arm W.A. - Lower, R.H. (Incl. Ref. #11)	1
34	77-6601	Pin (Incl. Ref. #11)	1
35	3256-26	Washer - Flat	2
36	82-5880	Bumper	2
	80-4660	Decal - Warning	1

*Not Illustrated



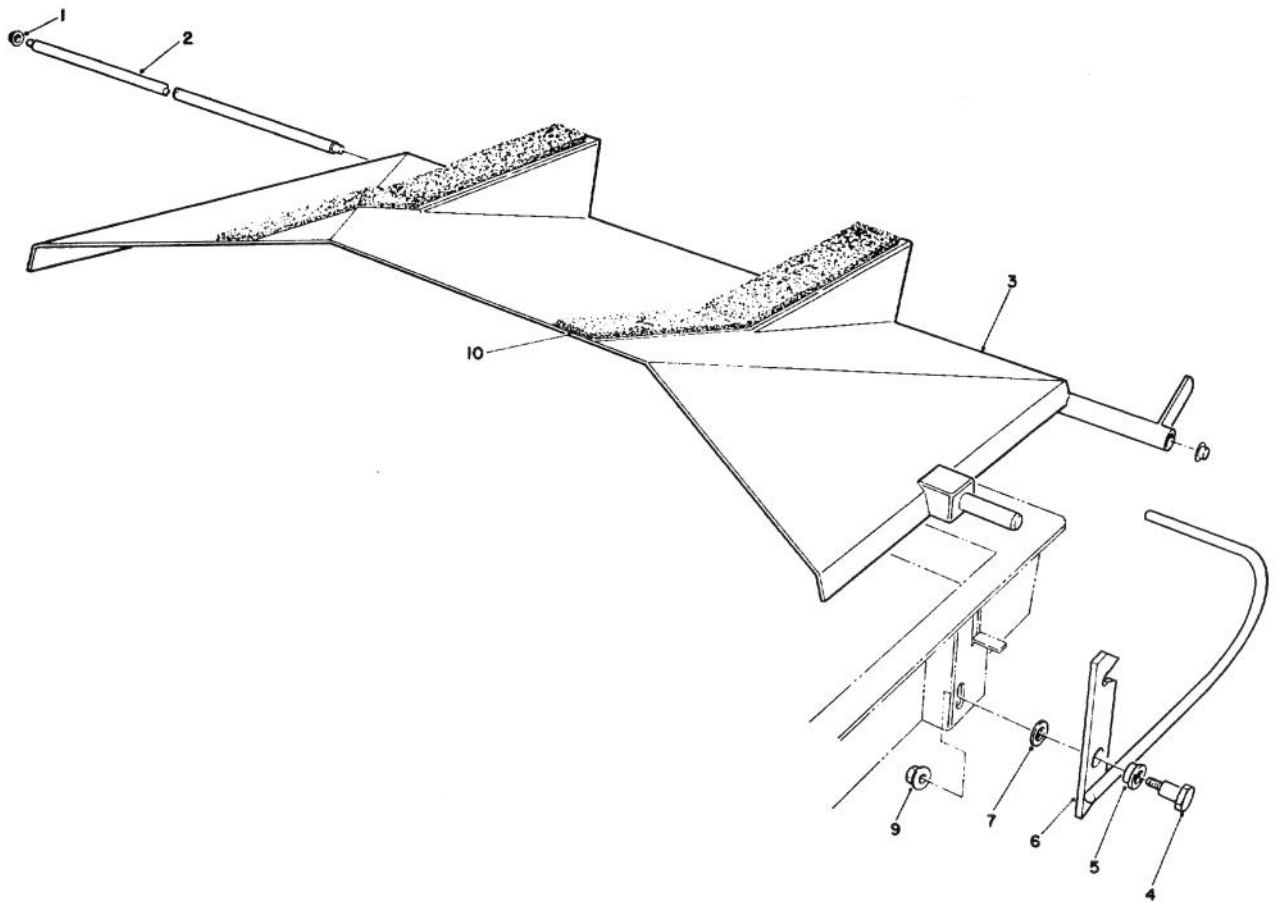
T-1160-90

15 CU. FT. HOPPER KIT MODEL 30505 (Optional)(Continued)

Ref. No.	Part No.	Description	No. Used
1	3290-415	Rivet - Pop	6
2	80-4760	Decal	1
3	3269-10	Washer	6
4	80-4740	Plate	1
5	32128-20	Nut - Flange	9
6	32128-17	Nut - Flange	18
7	77-6770	Hinge	1
8	3290-134	Screw - Cap Hex. Hd.	10
9	77-6520	Cover - Hopper, Front	1
10	3230-2	Bolt - Carriage	9
11	77-6651	Plate - Backup	1
12	77-6650	Plate - Backup	1
13	77-6660	Plate - Backup	1
14	3233-14	Bolt - Carriage	2
15	3290-467	Pin - Hair, Cotter	2
16	77-6600	Pin	2
		(Incl. Ref. #18)	2
17	82-5861	Seal - Left	1
*	82-5860	Seal - Right	1

Ref. No.	Part No.	Description	No. Used
18	302-5	Fitting - Grease	2
19	77-6430	Arm W.A.	1
20	3256-26	Washer - Flat	2
21	2411-48	Rod End	2
22	3296-23	Nut - Lock	2
23	3220-5	Nut - Jam	2
24	77-6490	Rod	2
25	3220-12	Nut - Jam, L.H. Thd.	2
26	2411-49	Rod End - L.H. Thd.	2
27	77-6510	Hopper	1
28	82-5850	Seal - Cover, Rear	1
29	82-5851	Seal - Side	2
30	82-5840	Flat - Long	2
31	82-5820	Shield - Wide	1
32	82-5810	Shield - Top	1
33	32105-12	Screw - Cap Hex. Hd.	8
34	82-5821	Shield - Narrow	1
35	82-5830	Flat - Short	1

*Not Illustrated

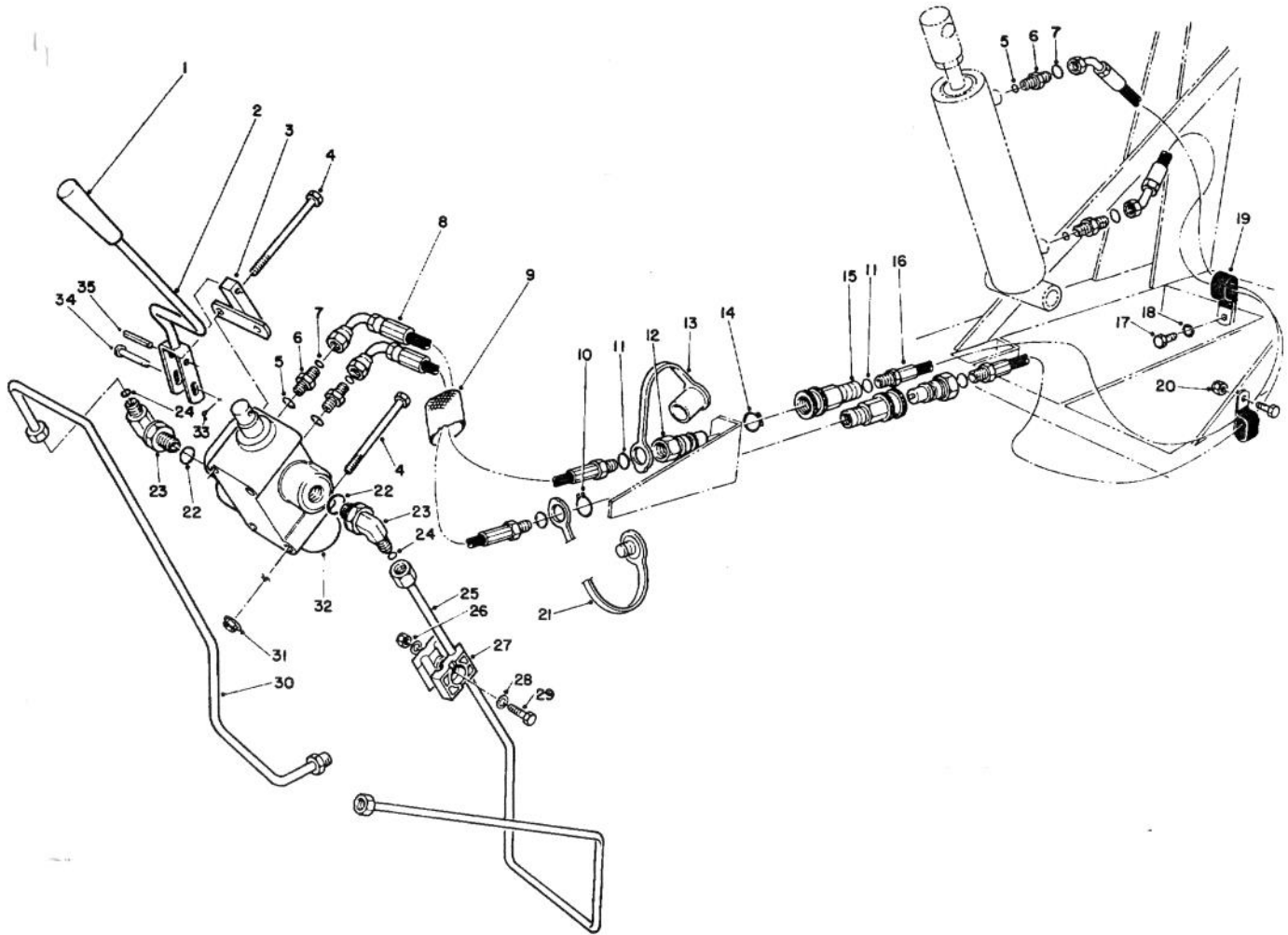


T-1169

15 CU. FT. HOPPER KIT MODEL 30505 (Optional)(Continued)

Ref. No.	Part No.	Description	No. Used
1	32112-1	Retainer - Cap	2
2	77-6540	Pin - Hinge	1
3	77-6530	Cover - Rear	1
4	28-0504	Bolt - Shoulder	1
5	256-284	Bushing	1

Ref. No.	Part No.	Description	No. Used
6	77-6890	Latch (Incl. Ref. #5)	1
7	80-4980	Washer - Flat	1
9	32128-20	Nut - Lock	1
10	82-5870	Foam	2



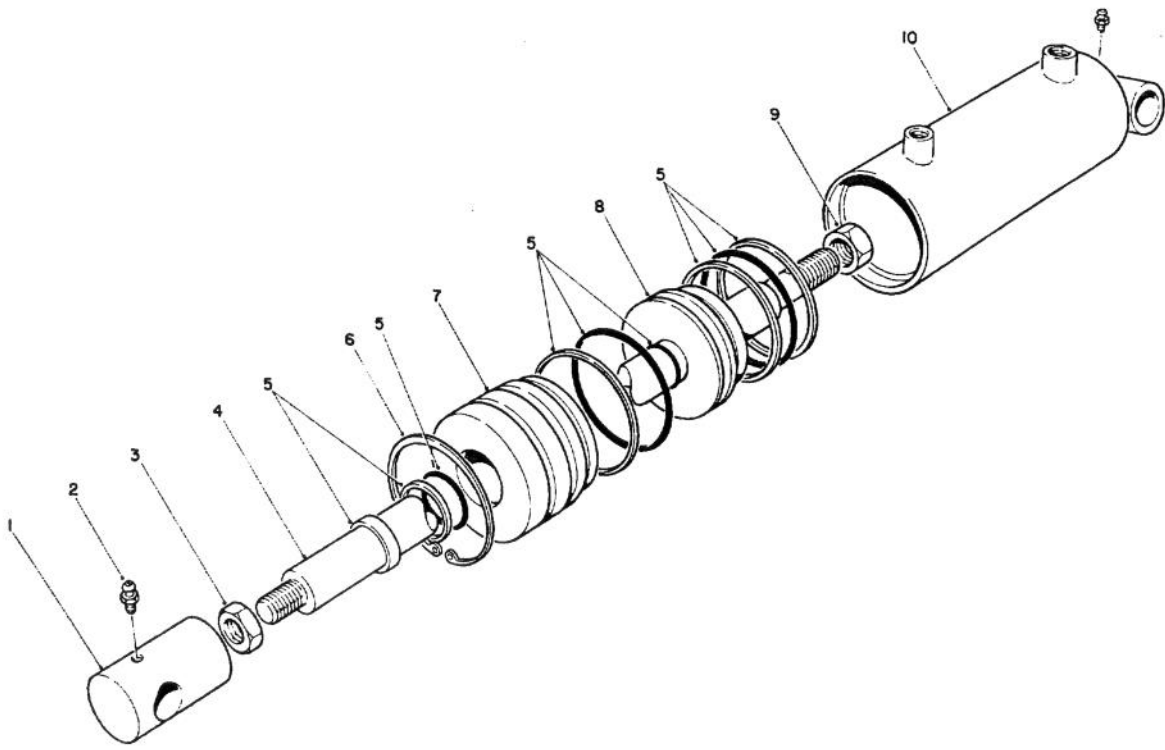
T-1162

15 CU. FT. HOPPER KIT MODEL 30505 (Optional)(Continued)

Ref. No.	Part No.	Description	No. Used
1	233-39	Knob - Handle	1
2	80-3490	Handle W.A.	1
3	80-3360	Lever W.A. - Pivot	1
4	321-14	Screw - Cap Hex. Hd.	3
5	237-78	O-Ring	4
6	340-92	Fitting	4
7	237-21	O-Ring	4
8	77-5960	Assembly - Hose	2
9	56-7982	Protector - Sleeve	1
10	32151-83	Ring - Retaining	1
11	237-42	O-Ring	4
12	63-1240	Nipple - Quick Disconnect	2
13	353-985	Cap - Dust	1
14	32151-79	Ring - Retaining	1
15	63-1220	Coupler - Quick Disconnect	2
16	77-5970	Assembly - Hose	2
17	322-3	Screw - Cap Hex. Hd.	2
18	3253-4	Washer - Lock	1
19	2412-105	Clamp - Tube, Double	2

Ref. No.	Part No.	Description	No. Used
20	3296-29	Nut - Lock	1
21	353-984	Plug - Dust	1
22	237-79	O-Ring	2
23	340-77	Fitting	2
24	237-22	O-Ring	2
25	77-5980	Assembly - Tube	1
26	3296-8	Nut - Lock	1
27	56-7973	Clamp	2
28	3256-22	Washer - Flat	2
29	321-8	Screw - Cap Hex. Hd.	1
30	77-5990	Assembly - Tube	1
31	32128-33	Nut - Flange Hd.	3
32	43-1950	Assembly - Valve	1
33	3272-4	Pin - Cotter	1
34	283-17	Pin - Clevis	1
35	32121-5	Pin - Roll	1
*36	80-4640	Decal - Valve Operation	1
37	80-4900	Kit - Auxiliary Valve (Incl. Ref. #1-15 & 21-36)	1

*Not Illustrated

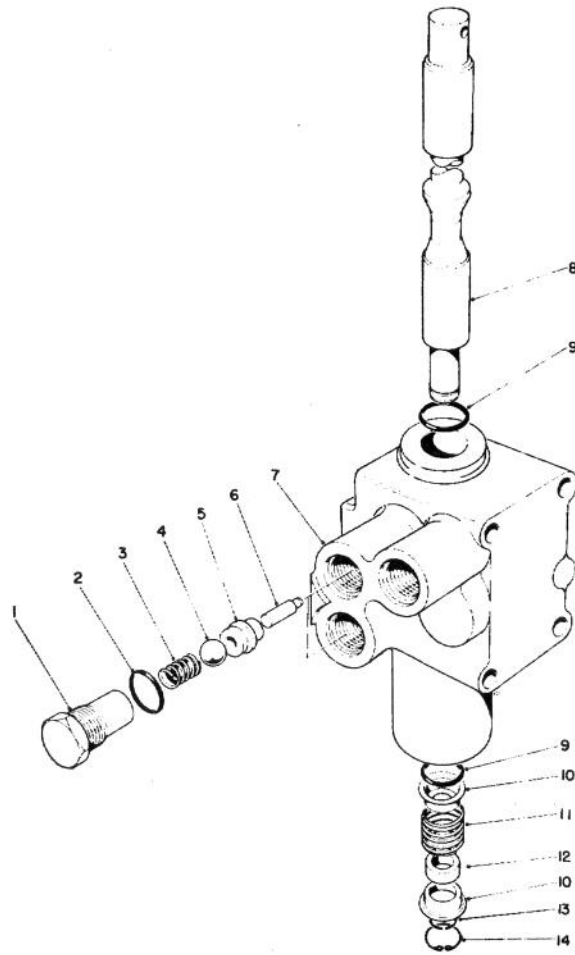


15 CU. FT. HOPPER KIT MODEL 30505 (Optional)(Continued)
CYLINDER ASSEMBLY NO. 77-5950

T-1161

Ref. No.	Part No.	Description	No. Used
1	77-6980	Clevis	1
2	302-55	Fitting - Grease	2
3	77-6990	Nut	1
4	77-6960	Shaft	1
5	67-5500	Kit - Repair	1

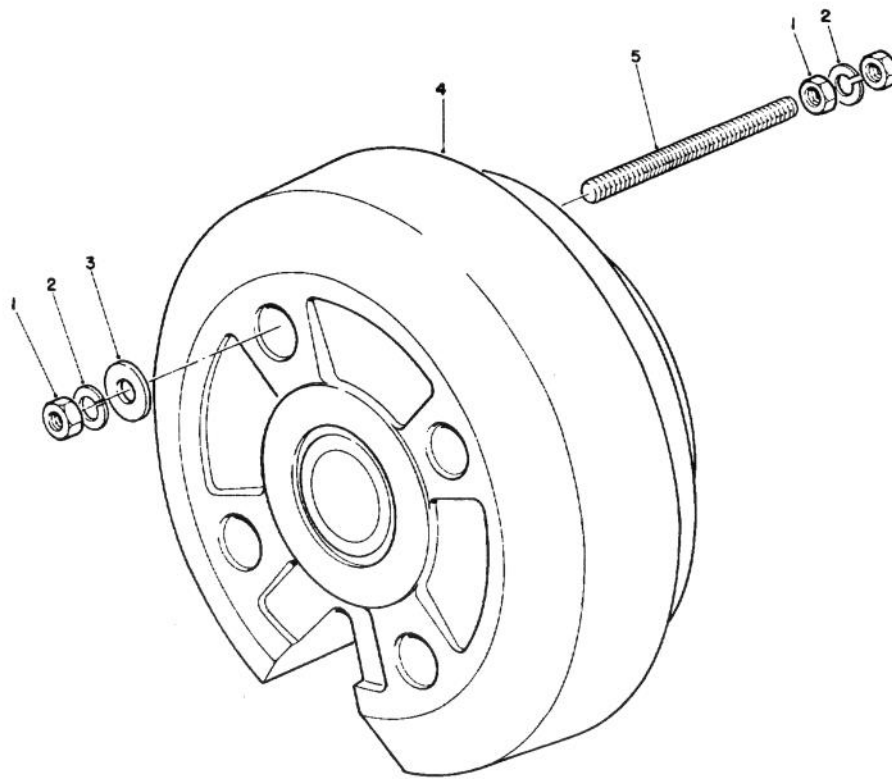
Ref. No.	Part No.	Description	No. Used
6	67-5470	Ring - Retaining	1
7	67-5460	Head	1
8	67-5450	Piston	1
9	60-9760	Nut - Hex.	1
10	77-6970	Barrel	1



T-0236

15 CU. FT. HOPPER KIT MODEL 30505 (Optional)(Continued) CONTROL VALVE NO. 43-1950

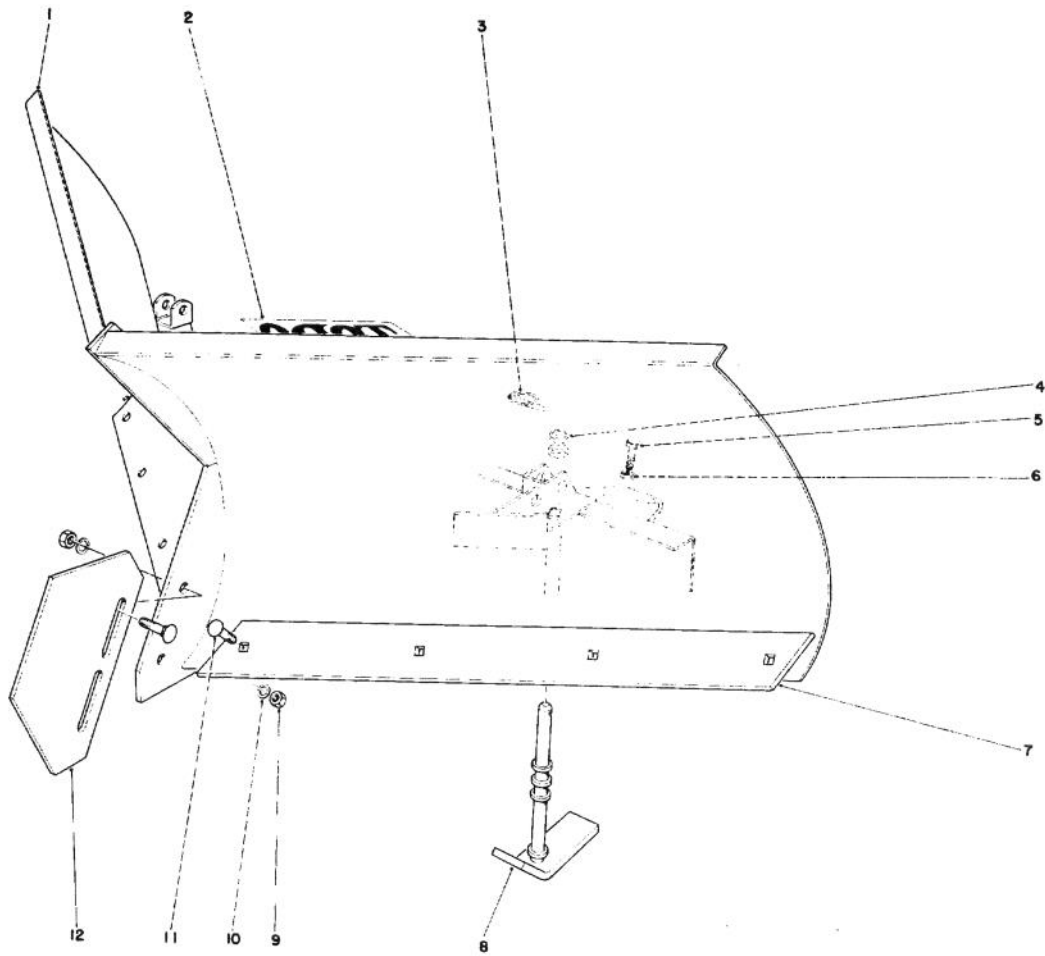
Ref. No.	Part No.	Description	No. Used	Ref. No.	Part No.	Description	No. Used
1	22-8330	Plug	2	8	22-8420	Spool	1
2	237-42	O-Ring	2	9	22-8500	O-Ring	2
3	22-8340	Spring	2	10	22-8380	Retainer - Spring	2
4	22-8350	Ball	2	11	22-8410	Spring	1
5	22-8370	Seat - Check Valve	2	12	23-3030	Spacer	1
6	22-8360	Pin - Cam	2	13	22-8480	Ring - Retaining Spool	1
7	43-1730	Body	1	14	22-8490	Ring - Retaining	11



T-1163

15 CU. FT. HOPPER KIT MODEL 30505 (Optional)(Continued)

Ref. No.	Part No.	Description	No. Used	Ref. No.	Part No.	Description	No. Used
1		Nut - Hex	6	4	77-6700	Weight - Wheel 75# (Incl. Ref. #1-3 & 5)	1
2		Washer - Lock	4	5		Rod - Threaded	2
3		Washer - Flat	2				

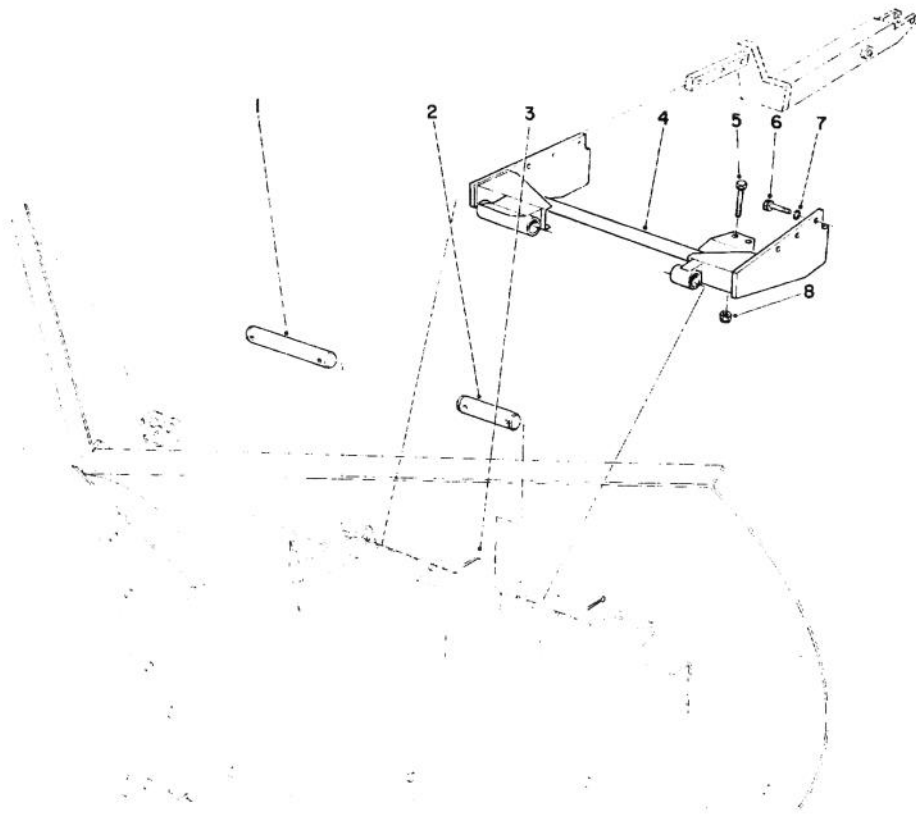


V-PLOW KIT MODEL NO. 30750 (Optional)

T-0452

Ref. No.	Part No.	Description	No. Used
1	23-9960	V-Plow	1
2	66-6140	Decal	1
3	3290-243	Pin - Lynch	2
4	20-4370	Spacer - Tubes	10
5	325-6	Screw - Cap Hex. Hd.	1
6	3218-5	Nut - Jam	1

Ref. No.	Part No.	Description	No. Used
7	24-5570	Blade - Scraper	2
8	24-5540	Skid	2
9	3217-9	Nut - Hex.	10
10	3253-7	Washer - Lock	10
11	3233-2	Bolt - Carriage	10
12	24-5530	Skid - Nose	1



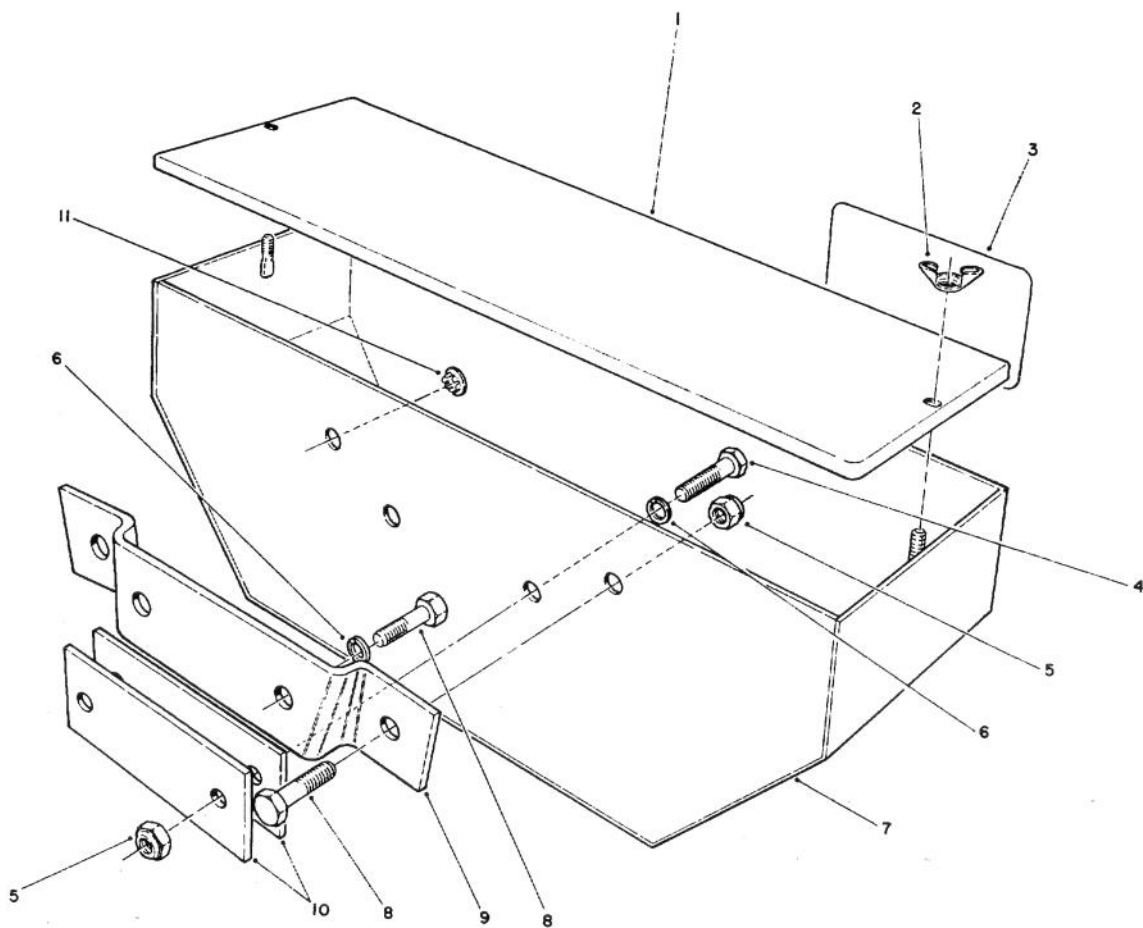
V-PLOW INSTALLATION KIT MODEL NO. 30749 (Optional)*

T-0902

Ref. No.	Part No.	Description	No. Used
1	28-5490	Pin - R.H.	1
2	25-1350	Pin - L.H.	1
3	3272-23	Pin - Cotter	4
4	72-4440	Assembly - Arm, Push	1

Ref. No.	Part No.	Description	No. Used
5	322-10	Screw - Cap Hex. Hd.	2
6	325-6	Screw - Cap Hex. Hd.	6
7	3253-7	Washer - Lock	6
8	3296-29	Nut - Lock	2

*Note: Installation requires Lift Arm Assemblies 76-3080 and 76-3090.

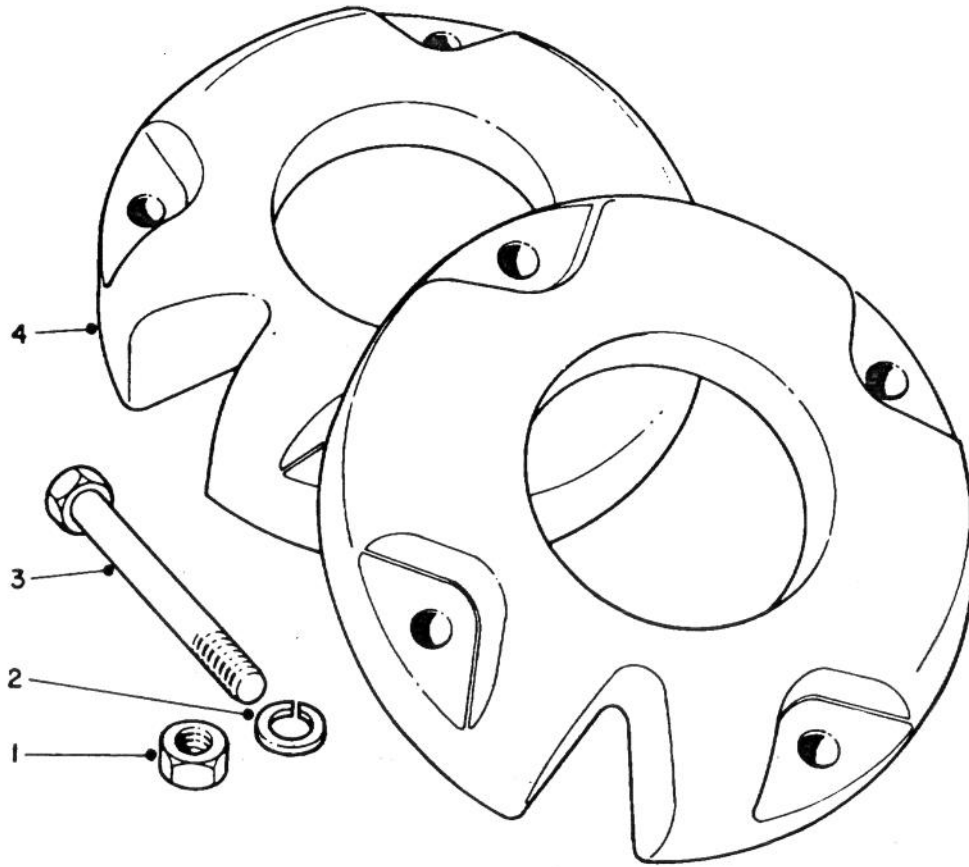


WEIGHT BOX KIT NO. 62-6590 (Optional)

T-0404

Ref. No.	Part No.	Description	No. Used
1	61-4130	Cover - Weight Box	1
2	32103-2	Nut - Wing	2
3	43-5110	Decal	1
4	325-7	Screw - Cap Hex. Hd. (GM-220, 220D, 224, 322D & 345)	2
5	3296-25	Nut - Lock (GM-220, 220D & 224)	4
5	3296-25	Nut - Lock (GM-117, 217D, 322D & 345)	2

Ref. No.	Part No.	Description	No. Used
6	3253-7	Washer - Lock (GM-117, 217D & 327)	2
7	61-4090	Box - Weight	1
8	325-5	Screw - Cap Hex. Hd. (GM-117, 217D, 220, 220D & 224)	4
9	61-4140	Bracket (GM-117, 217D, 220, 220D & 224)	1
10	62-6710	Plate (GM-322D, 327 & 345)	2
11	2410-67	Plug	2



WHEEL WEIGHTS MODEL NO. 11-0440 (Optional)

T-0457

Ref. No.	Part No.	Description	No. Used
1	3218-5	Nut	8
2	3253-7	Washer - Lock	8

Ref. No.	Part No.	Description	No. Used
3	325-14	Screw - Cap Hex. Hd.	8
4	7-2111	Weight - Wheel	2

PART NUMBER INDEX

Part No.	Description	Pg. Ref. No. No. Qty.	Part No.	Description	Pg. Ref. No. No. Qty.
770026A	Housing - Right Angle Drive	80 2 1	21-7850	Cap Plug	14 27 1
772035	Cover	80 6 1	21-8020	Spacer - Frt. Pinion Bearing	15 29 1
776249	Shaft - Output	80 5 1	21-8090	Differential Adjust. Shim.	15 35 A/R
776250	Shaft - Input	80 4 1	21-8100	Differential Adjust. Shim.	15 36 A/R
778046	Gear - Miter	80 3 2	21-8110	Differential Adjust. Shim.	15 37 A/R
780024	Bearing - Ball	80 9 1	21-8120	Differential Adjust. Shim.	15 38 A/R
780034	Bearing - Ball	80 8 3	21-8150	Gear - Spur	14 17 1
786029	Assy. - Cap/Seal Retainer	80 15 1	21-8180	Bearing - Tapered Roller	16 3 2
788018	Ring - Snap	80 11 1	21-8270	Pin - Dowel	14 4 2
788019	Ring - Snap	80 10 1	21-8320	Gasket - Wheel Bearing	16 20 2
788028	Gasket - Cover	80 7 1	21-8330	Oil Seal	16 2 2
788029	Seal - Oil	80 12 1	21-8360	Clip - Retaining	16 10 2
788030	Gasket - Cap	80 13 1	21-9260	Cover - Dust	5 39 1
788031	Seal - Oil	80 16 1	21-9370	Adjusting Screw	16 7 2
792025	Screw - Rd. Hd. Self-Tap.	80 14 4	21-9380	Nut - Pivot	16 8 2
792026	Screw - Cap Hex. Hd.	80 17 4	21-9390	Socket - Adjusting Screw	16 6 2
794402	Assembly - Head, L.H.	80 1 1	21-9420	Spring - Shoe Return L.H.	16 17 2
3-2781	Retainer - Cord	81 26 1	21-9430	Spring - Shoe Return R.H.	16 18 2
3-3251	Spring	5 12 1	21-9440	Screw - Spring Adjusting	16 14 2
3-4324	Washer	32 38 1	21-9450	Dust Shield	16 4 2
3-6624	Spring	32 27 1	21-9460	Retainer - Parking Brake	16 15 4
3-6657	Clip - Skid	31 33 1	22-8340	Spring	87 3 2
3-6781	Washer - Thrust	50 27 8	22-8350	Ball	87 4 2
3-6781	Washer - Thrust	55 27 8	22-8360	Pin - Cam	87 6 2
3-6781	Washer - Thrust	61 7 8	22-8370	Seat - Check Valve	87 5 2
3-6781	Washer - Thrust	69 7 8	22-8380	Retainer - Spring	87 10 2
3-7243	Spring - Return	5 20 2	22-8410	Spring	87 11 1
4-2390	Washer	32 28 1	22-8420	Spool	87 8 1
5-1077	Key - Square	48 15 1	22-8480	Ring - Retaining Spool	87 13 1
5-1077	Key - Square	53 6 1	22-8490	Ring - Retaining	87 14 11
5-1077	Key - Square	58 5 1	22-8500	O-Ring	87 9 2
5-1077	Key - Square	66 4 1	23-1120	Washer - Flat	76 17 2
5-3637	Washer - Flat	31 38 1	23-2270	Bushing - Rubber	17 3 1
5-7570	Washer	7 8 2	23-2300	Oil Filter	17 27 1
6-1659	Switch - Glow Plugs	3 13 1	23-3030	Spacer	87 12 1
7-0081	Washer	53 11 1	23-4810	Gear - Spur	17 36 1
7-0081	Washer - Special	48 18 1	23-7270	Nut - Lug	13 20 10
7-0081	Washer - Special	58 14 2	23-9960	V-Plow	89 1 1
7-0081	Washer - Special	66 9 2	24-5530	Skid - Nose	89 12 1
7-2111	Weight - Wheel	92 4 2	24-5540	Skid	89 8 2
7-3900	Foot Pad - Brake	5 28 2	24-5570	Blade - Scraper	89 7 2
7-4150	Washer	48 25 3	24-5790	Weight - Rear	65 3 1
7-4150	Washer	53 17 3	24-5790	Weight - Rear	72 3 2
7-4150	Washer	58 35 3	24-8790	Gear - Bevel, Differential	14 9 2
7-4150	Washer	66 39 3	24-8840	Ring - Wheel Bearing	16 22 2
10-8110	Washer	27 10 5	24-9180	Strut/Lever - Parking Brake	16 19 2
12-3270	Screw - Hex. Washer Hd.	82 7 6	25-1350	Pin - L.H.	90 2 1
12-3270	Screw - Self Tapping	57 8 2	25-2380	Plate - Thrust	18 15 2
12-3270	Screw - Self Tapping	64 8 4	25-2430	Pin	18 46 2
12-3270	Screw - Self Tapping	71 8 4	25-2460	Hex Hd. Plug	18 23 2
12-5450	Screw - Thread Forming	14 15 8	25-2470	Shim Pack	18 25 A/R
13-0269	Housing - Blower	75 31	25-2480	Relief Valve Spring Charge	18 44 1
13-0269	Housing - Blower	77 22 1	25-2500	Shaft - Trunion	18 2 1
13-1649	Hood Assembly	81 8 1	25-2510	Washer	18 3 2
13-3869	Assembly - Caster Wheel	61 * 2	25-2660	Union - Filter	18 38 1
13-3869	Assembly - Castor Wheel	50 * 2	25-3210	Lip Seal	18 7 2
13-3869	Assembly - Castor Wheel	55 * 2	25-3300	Bearing - Needle	18 18 2
13-3869	Assembly - Castor Wheel	69 * 1	27-121 0	Bearing - Roller	74 3 1
13-3949	Deflector - Grass	48 48 1	27-0870	Assembly - Spindle	48 * 3
14-0909	Deflector Assembly	60 1 1	27-0870	Assembly - Spindle	53 * 3
14-0909	Deflector Assembly	68 1 1	27-0920	Spindle - Shaft	48 34 3
19-1470	Bolt - Shoulder	76 13 4	27-0920	Spindle - Shaft	59 53 3
20-4370	Spacer - Tubes	89 4 10	27-0920	Spindle - Shaft	67 58 3
21-0141	Joint - Ball R.H.	27 34 2	27-0920	Spindle Shaft	53 27 3
21-0151	Joint - Ball L.H.	27 30 2	27-0950	Spacer	58 52 3
21-7670	Differential Case	14 6 1	27-0950	Spacer - Spindle Bearing	48 39 3
21-7690	Gear - Pinion	14 10 2	27-0950	Spacer - Spindle Bearing	53 32 3
21-7700	Shaft - Pinion Mate	14 7 1	27-0950	Spacer - Spindle Bearing	67 59 3
21-7710	Pin - Roll	15 34 1	27-0970	Pulley	48 26 3
21-7720	Washer - Thrust	14 8 2	27-0970	Pulley	53 18 3
21-7730	Washer - Thrust	14 11 2	27-0990	Blade	48 35 3
21-7770	Screw - Drive Gear	14 5 5	27-0990	Blade	53 28 3
21-7830	Cover - Gear	14 16 1	27-1160	V-Belt	48 22 1

*Not Illustrated

PART NUMBER INDEX (Continued)

Part No.	Description	Pg. Ref.			Part No.	Description	Pg. Ref.		
		No.	No.	Qty.			No.	No.	Qty.
27-1160	V-Belt	53	14	1	29-4730	Washer - PTO	8	16	1
27-1170	Washer - Thrust	74	1	2	29-4820	Roller	48	43	2
27-1180	Retainer - Bearing	74	2	2	29-4820	Roller	53	37	2
27-1190	Wheel - Caster	74	5	1	29-4820	Roller	58	38	4
27-1200	Bushing - Spanner	74	6	1	29-4820	Roller	66	42	6
27-2360	Switch - Ignition	3	7	1	29-5590	Pivot Bracket - Deflector	48	7	2
27-3680	Spacer - Mounting	17	5	4	29-5630	Pin - Pedal Pivot	7	4	1
27-3690	Gasket - Transmission	17	38	1	29-6150	Spring - Leaf	20	22	1
27-4240	Pin - Cylinder	10	30	2	29-6162	Micro Switch	20	7	1
27-4310	Pin - Pivot	13	25	2	29-6170	Spring - Extended Leaf	20	5	1
27-4370	Hub - Pump	17	10	1	29-9790	Pump - Lever	20	2	1
27-4570	Handle - Adjustment	23	10	2	36-1740	Roller - Deck	48	19	2
27-5240	Bolt - Shoulder	23	6	2	36-1740	Roller - Deck	58	30	2
27-6140	Bushing - Taper Lock	49	19	1	36-1740	Roller - Deck	66	28	2
27-6140	Bushing - Taper Lock	54	19	1	36-7290	Shaft & Bearing	31	5	1
27-6140	Bushing - Taper Lock	59	62	1	36-7770	Retainer - Cord (Optional)	81	*	1
27-6140	Bushing - Taper Lock	67	64	1	36-8020	Washer	23	11	2
27-6590	Spacer	17	22	2	37-2690	Capacitor	22	53	1
27-6600	Spacer - Rubber	17	15	6	37-6730	Cup - Bearing	75	32	1
27-6851	Shaft - Axle, Flanged R.H.	16	*	1	37-6730	Cup - Bearing	77	24	1
27-6861	Shaft - Axle, Flanged L.H.	16	1	1	37-8880	Spring	78	16	1
27-7100	Assembly - Air Cleaner	21	25	1	37-9590	Spring - Compression	21	44	1
27-7110	Assembly - Element	21	33	1	38-2670	Kit - Charge Pump	18	37	1
27-7120	Assembly - Nut & Gasket	21	34	1	38-2680	Pin	18	32	1
27-7130	Assembly - Clamp	21	36	1	38-7820	Bearing - Ball	75	33	1
27-7140	Skirt - Baffle	21	35	1	38-7820	Bearing - Ball	77	25	1
27-7150	Assembly - Cup	21	37	1	40-0330	Cushion - Rubber	50	11	2
27-7160	Decal - Instructions	21	24	1	40-0330	Cushion - Rubber	55	11	2
27-7170	Assembly - Mounting Band	21	31	2	40-0330	Cushion - Rubber	61	5	2
27-7180	Assembly - Cap	21	20	1	40-0330	Cushion - Rubber	69	5	2
27-7310	Decal (Over Fill caution)	1	16	1	40-0340	Shaft - Rear Roller	48	21	2
27-7680	Ring - Deck Support	48	30	3	40-0340	Shaft - Rear Roller	58	29	2
27-7680	Ring - Deck Support	53	22	2	40-0340	Shaft - Rear Roller	66	27	2
27-8580	Assembly - Idler Socket &	66	10		40-6230	Spring - Torsion	48	1	2
27-8580	Idler Socket	48	16	1	40-6400	Shaft - Long	59	64	1
27-8580	Idler Socket	53	7	1	40-6400	Shaft - Roller	48	41	1
27-8580	Idler Socket/Bushing Assy.	58	10	1	40-6400	Shaft - Roller	53	35	1
27-9620	Screw - Cap Hex. Hd.	17	29	1	40-6400	Shaft - Roller	67	66	1
28-0504	Bolt - Shoulder	84	4	1	40-9520	Spacer - Split	50	10	4
28-0660	Screw - Cap Hex. Hd.	16	21	8	40-9520	Spacer - Split	55	10	4
28-0670	Oil Seal	16	13	2	40-9520	Spacer - Split	61	4	4
28-0680	Brake Drum	16	11	2	40-9520	Spacer - Split	69	4	4
28-1280	Boot - Positive Cable	9	63	1	42-6200	Cushion - Shim	50	31	A/R
28-3300	Bearing - Roller	18	4	1	42-6200	Shim - Cushion	55	31	3
28-3310	Bearing - Needle	18	5	2	42-6200	Shim - Cushion	61	32	3
28-3340	Gasket	18	49	1	42-6200	Shim - Cushion	69	31	A/R
28-3350	Pin	18	48	2	42-6310	Screen - Mulcher	52	4	1
28-3380	Plate - Motor Valve	18	45	1	42-6340	Shelf - Bottom, Rear	52	3	1
28-3400	O-Ring	18	24	2	42-7080	Cap	37	2	2
28-3420	Relief Valve Cone Charge	18	27	2	42-7190	Bushing - Knock	41	33	2
28-3440	Threaded Plug	18	42	2	42-7210	Plug-Taper	36	19	1
28-3450	Washer - Flat	18	36	2	42-7290	Gasket - Drain	36	16	2
28-3470	Lip Seal	18	34	1	42-7510	Pipe	38	4	1
28-3480	Bearing - Needle	18	33	1	42-7510	Pipe	38	9	1
28-3520	O-Ring	18	31	1	42-7840	Key	37	20	1
28-3530	Screw - Cap Hex. Hd.	18	30	2	42-7860	Lock	34	33	12
28-3570	O-Ring	18	21	2	42-7870	Seal	34	30	6
28-3580	Ring - Backup	18	20	2	42-8240	Gasket	43	6	3
28-3590	O-Ring	18	19	2	42-8690	Metal - Sealing	45	37	1
28-3640	Shaft - Pump	18	12	1	42-8700	Wire	45	38	1
28-3650	Bearing - Ball	18	10	1	42-8830	Seal - O-Ring	45	6	1
28-3660	Lip Seal	18	9	1	42-8830	Seal - O-Ring	45	10	1
28-3670	Shaft - Trunion	18	8	1	42-9110	Gasket	38	21	1
28-5130	Pad - Traction Pedal	7	2	1	42-9260	Plug - Drain	36	15	1
28-5220	Wheel - Friction	7	6	1	42-9420	Bolt - Speed Set	45	33	4
28-5490	Pin - R.H.	90	1	1	42-9430	Bolt W/Washer	38	7	1
28-8070	Lanyard	22	66	1	42-9430	Bolt W/Washer	45	12	2
28-9060	Plate - Idler	48	14	1	42-9440	Bolt W/Washer	34	25	4
28-9060	Plate - Idler	53	5	1	42-9440	Bolt W/Washer	36	8	11
28-9290	Bushing - Special	50	28	4	42-9440	Bolt W/Washer	47	24	1
28-9290	Bushing - Special	55	28	4	42-9490	Bolt W/Washer	36	18	18
28-9290	Bushing - Special	61	11	4	42-9490	Bolt W/Washer	37	11	2
28-9290	Bushing - Special	69	10	4	42-9490	Bolt W/Washer	40	10	4

*Not Illustrated

PART NUMBER INDEX (Continued)

Part No.	Description	Pg. No.	Ref. No.	Qty.	Part No.	Description	Pg. No.	Ref. No.	Qty.
42-9510	Bolt	35	42	1	43-9071	Switch - Seat	22	*	1
42-9570	Stud	38	20	4	44-2200	Screw - Blade	53	31	3
42-9590	Nut	34	17	6	44-2200	Screw - Blade Bolt	48	38	3
42-9640	Nut - Jam	45	9	2	44-2200	Screw - Cap, Blade	59	56	3
42-9650	Nut - Jam	41	30	1	44-2200	Screw - Cap, Blade	67	55	3
42-9660	Washer	35	39	3	44-2230	Coupling - Rubber	17	16	2
42-9660	Washer	47	4	1	44-5300	Assembly - Chute	75	1	1
42-9850	Washer - Lock	17	19	2	44-5460	Plate - Bracket	75	24	2
42-9850	Washer - Lock	31	41	2	44-5480	Blade - High Sail (18")	76	*	1
42-9850	Washer - Lock	32	4	4	44-5480	Blade - High Sail (Optional)	48	*	3
43-0370	Shim	47	5	1	44-6250	Blade	59	58	3
43-0510	Spring - Brush	47	14	2	44-6260	V-Belt	58	27	1
43-0570	Screen - Right Hand	81	13	1	44-6290	Cover - Deck L.H.	60	8	1
43-0600	Screen - Left Hand	81	12	1	44-6300	Idler Plate	66	5	1
43-0610	Hinge - Half	81	2	1	44-6300	Plate - Idler	58	6	1
43-0720	Lower Support Tube Assy.	81	23	1	44-6340	Pulley - Hub Spindle	58	36	3
43-0940	Spacer - Blower Hub	75	35	1	44-6370	Assembly - Spindle	59	*	3
43-0940	Spacer - Hub, Blower	77	27	1	44-6390	Spacer	58	31	1
43-0960	Bracket - Chute	75	38	1	44-6390	Spacer	66	29	1
43-0960	Bracket - Chute	77	30	2	44-7770	Shelf - Rear	76	41	1
43-0980	Bag - Cloth 38"	81	*	1	44-7780	Shelf - R.H.	76	44	1
43-0990	Bag - Cloth 32"	81	14	1	44-8320	Spring	33	10	3
43-1000	Pin - Hinge, Hood	81	1	1	44-8530	Sock - Hose	5	*	1
43-1010	Bracket - Frame	81	20	4	44-9720	Template - Bracket	81	*	1
43-1020	Spacer - Pivot Arm	81	29	2	46-2210	Shim Front Pinion Bearing	14	28	A/R
43-1051	Stop - Hood	81	34	2	46-2211	Shim Front Pinion Bearing	14	*	A/R
43-1060	Deflector - Rear	76	2	1	46-2212	Shim Front Pinion Bearing	14	*	A/R
43-1100	Decal - Caution	81	7	2	46-2213	Shim Front Pinion Bearing	14	*	A/R
43-1120	Decal - Warning	76	35	1	46-2214	Shim Front Pinion Bearing	14	*	A/R
43-1730	Body	87	7	1	46-2215	Shim Front Pinion Bearing	14	*	A/R
43-1920	Nut Set	47	17	1	46-2216	Shim Front Pinion Bearing	14	*	A/R
43-1950	Assembly - Valve	85	32	1	46-2220	Shim Front Pinion Bearing	14	*	A/R
43-2550	Filter	41	18	1	46-2221	Shim Front Pinion Bearing	14	*	A/R
43-2560	Gasket - Side Cover	41	19	1	46-2222	Shim Front Pinion Bearing	14	*	A/R
43-2570	Gasket - Coil Side	41	17	1	46-2223	Shim Front Pinion Bearing	14	*	A/R
43-2580	Magnet	41	20	1	46-2224	Shim Front Pinion Bearing	14	*	A/R
43-2710	Seal - O-Ring	38	36	2	46-2225	Shim Front Pinion Bearing	15	*	A/R
43-2740	Gasket	32	24	1	46-2226	Shim Front Pinion Bearing	15	*	A/R
43-2750	Nut - Jam	32	46	1	46-2410	Shim Front Pinion Bearing	15	*	A/R
43-2820	Cap - Sealing	35	47	1	46-2411	Shim Front Pinion Bearing	15	*	A/R
43-2820	Cap - Sealing Torque Set	45	32	1	46-2412	Shim Front Pinion Bearing	15	*	A/R
43-3160	Screw - Adjusting	35	44	1	46-2413	Shim Front Pinion Bearing	15	*	A/R
43-4031	Cable - Battery Positive	9	62	1	46-2414	Shim Front Pinion Bearing	15	*	A/R
43-4031	Wire - Positive	4	1	1	46-2415	Shim Front Pinion Bearing	15	*	A/R
43-5110	Decal	91	3	1	46-2416	Shim Front Pinion Bearing	15	*	A/R
43-5320	Pulley - PTO	8	17	1	46-2420	Shim Front Pinion Bearing	15	*	A/R
43-5920	Washer - Lock	31	39	1	46-2421	Shim Front Pinion Bearing	15	*	A/R
43-5960	Nut - Special	35	46	1	46-2422	Shim Front Pinion Bearing	15	*	A/R
43-5970	Nut - Hex.	31	40	1	46-2423	Shim Front Pinion Bearing	15	*	A/R
43-6510	Assembly - Gear & Pinion	15		1	46-2424	Shim Front Pinion Bearing	15	*	A/R
43-6550	Ring - Retaining	14	26	1	46-2425	Shim Front Pinion Bearing	15	*	A/R
43-6710	Shim Adjusting Differential	14	18	A/R	46-2426	Shim Front Pinion Bearing	15	*	A/R
43-6711	Shim Adjusting Differential	14	19	A/R	46-3010	Screen - Mulcher	63	1	1
43-6712	Shim Adjusting Differential	14	20	A/R	46-3150	Shelf - Bottom, Rear	63	5	1
43-6713	Shim Adjusting Differential	14	21	A/R	46-3380	Bolt - Shoulder	57	10	2
43-6750	Cup - Tapered, Bearing	15	31	1	46-3380	Bolt - Shoulder	64	10	4
43-6760	Cone - Bearing, Tapered	14	13	1	46-3380	Bolt - Shoulder	71	10	4
43-6800	Nut - Lock, Flange Hd.	16	12	8	46-6560	Bushing	13	41	2
43-6810	Torque Spider	16	5	2	46-6810	Screw - Cap Hex. Hd.	1	26	14
43-8480	Decal - Danger	48	4	2	46-7280	Plug - Pipe	18	40	1
43-8480	Decal - Danger	53	1	1	46-7310	Relief Valve Spring Imp.	18	26	1
43-8480	Decal - Danger	54	25	1	46-7320	Plate - Pump Valve	18	17	1
43-8480	Decal - Danger	58	46	1	46-8091	Screw - Cap Hex. Hd.	2	43	2
43-8480	Decal - Danger	60	3	1	46-8530	Assembly - Bearing	48	28	3
43-8480	Decal - Danger	66	49	1	46-8530	Assembly - Bearing	53	20	3
43-8480	Decal - Danger	68	3	1	46-8530	Assembly - Bearing	58	37	3
43-8480	Decal - Danger	75	39	2	46-8530	Assembly - Bearing	66	41	3
43-8480	Decal - Danger	77	23	1	46-8810	Stop - Leaf Spring	20	9	1
43-8600	Spring - Compression	22	54	1	46-9110	Spring - Seat	23	13	2
43-8610	Guide - Spring & Ball Seat	22	59	1	46-9120	Mount - Seat	23	14	2
43-8620	Guide - Switch Pin	22	63	1	48-1800	Kit - Cylinder Block	18	16	2
43-8860	Plunger - Switch	22	60	1	48-7680	Screw - Hex.	31	43	1
43-8870	Boot - Switch	22	65	1	48-7930	Nut - Hex.	32	5	4

*Not Illustrated

PART NUMBER INDEX (Continued)

Part No.	Description	Pg. No.	Ref. No.	Qty.	Part No.	Description	Pg. No.	Ref. No.	Qty.
48-9590	Washer - Lock	31	15	8	57-0230	Cover - R.H.	68	5	1
48-9590	Washer - Lock	32	12	10	57-0240	V-Belt	66	36	1
49-2040	Screw - Hex. Washer Hd.	82	31	2	57-0250	Blade	67	57	3
49-7820	Variable Swashplate	18	13	1	57-0260	Assy. - Spindle Housing	67	*	3
49-7830	Assembly - Check Valve	18	22	2	57-0280	Decal - 72	67	65	1
49-7850	Center Section	18	39	1	57-0300	Housing	66	1	1
49-7870	Housing	18	6	1	57-0560	Pulley	66	40	3
49-7910	Transmission	17	6	1	57-0570	Skid	66	51	1
49-8200	Shaft - Motor	18	47	1	57-0570	Skid - L.H.	58	48	
51-1530	Bracket - Hinge	60	12	2	57-0580	Bracket - Roller Left Rear	66	43	1
51-1530	Bracket - Hinge	68	12	2	57-0580	Bracket - Roller, Left Rear	58	42	1
51-1550	Spring	60	2	2	57-0590	Bracket - Roller Right Rear	66	*	1
51-1550	Spring	68	2	2	57-0680	Shaft - Roller	66	44	4
51-3150	Shim	20	24	1	57-0680	Shaft - Short	58	41	2
51-3960	Decal - 52	49	4	1	57-0690	Pin - Cotter, Special	48	42	1
51-3960	Decal - 52	54	4	1	57-0690	Pin - Cotter, Special	53	38	1
52-1320	Decal - Diesel Fuel Only	21	16	1	57-0690	Pin - Cotter, Special	58	40	3
52-2340	Spacer	17	30	1	57-0690	Pin - Cotter, Special	66	45	5
52-2340	Spacer	31	31	1	57-4230	Spacer	65	4	2
52-8890	Bracket - Mounting	20	16	2	57-4230	Spacer	72	4	2
52-9070	Plate - Pump	20	17	1	57-6390	Nut - Hex.	31	42	2
53-4430	Decal - Oil	1	34	1	58-6320	Wiper - Seal	11	1	1
53-4530	Assembly - Gear Box	75	14	1	58-6400	Bushing	11	5	1
53-4530	Gear Box Assembly	77	10	1	58-6420	Assembly - Cap	11	8	1
53-8130	Gasket - Exhaust	32	2	1	58-6450	O-Ring	11	2	2
53-8150	Pump - Fuel	21	40	1	58-6460	Ring - Retaining	11	9	1
53-8150	Pump Assembly	41	21	1	58-6710	Assembly - Plug	11	14	1
53-8150	Pump Assembly	44	*	1	59-4920	Bracket - Idler Mounting	76	8	1
54-7950	Drive Shaft Assembly	9	*	1	59-4930	Slide - Idler	76	10	1
54-8660	Washer	47	25	1	59-4940	Rod - Idler	76	11	1
54-9040	Yoke - End	8	32	1	59-4980	Bracket - Deflector L.H.	75	8	1
54-9050	Shaft - Slip Yoke	8	31	1	59-5000	Bracket - Deflector R.H.	75	19	1
54-9090	Yoke - End	8	28	1	59-5050	Bracket - L.H.	75	9	1
54-9170	Tube - Slip Yoke	8	29	1	59-5070	Plate - Mounting	75	7	1
54-9180	Kit - Universal Joint	8	35	2	59-5090	Bracket - R.H.	75	22	1
55-4300	Decal	78	18	1	59-5140	Mount - Blower	75	10	1
55-4300	Decal - Caution	57	17	2	59-5150	Cover - Gear Box	75	15	1
55-4300	Decal - Caution	64	17	4	59-5170	Pulley (Splined)	76	19	1
55-4300	Decal - Caution	71	17	4	59-5190	Nut - Pulley	76	20	1
56-0020	Plug	37	24	3	59-5190	Nut - Pulley	78	6	1
56-0020	Plug - Expansion	38	18	1	59-5270	V-Belt	76	22	1
56-0020	Plug-Expansion	41	12	3	59-5290	Latch	76	24	1
56-0100	Plug - Taper	41	37	1	59-5310	Cover - Nut	76	21	1
56-0220	Pin - Dowel	41	35	2	59-5310	Cover - Nut	78	7	1
56-0480	Key - Woodruff	34	18	2	59-9740	Assy. - Latch, Flex. Draw	2	47	1
56-0480	Key - Woodruff	37	8	1	60-9760	Nut - Hex.	86	9	1
56-1060	Snap Ring	37	15	1	61-4090	Box - Weight	91	7	1
56-1230	Shaft - Oil Filter	41	28	1	61-4130	Cover - Weight Box	91	1	1
56-1570	Bolt Set	46	8	1	61-4140	Bracket	91	9	1
56-1580	Armature Set	46	23	1	61-4160	Housing - Spindle	48	32	3
56-1590	Bearing - Front	46	22	1	61-4160	Housing - Spindle	53	25	3
56-1600	Bearing - Rear	46	21	1	61-4160	Housing - Spindle	58	50	3
56-1610	Bolt	46	16	1	61-4160	Housing - Spindle	67	61	3
56-1640	Stopper Set	46	13	1	62-3310	Screw - Cap	73	15	8
56-1670	Gear	46	10	1	62-3330	Cone - Gear	73	12	1
56-1680	Cover Set	46	9	1	62-3340	Cup - Bearing	73	14	2
56-1700	Holder - Brush	46	18	1	62-3360	Cup - Bearing	73	3	2
56-1710	Spring - Brush	46	19	4	62-3370	Cone - Bearing	73	9	2
56-1720	Bracket - Rear	46	17	1	62-3380	Key	73	8	2
56-2460	Washer - Flat	27	48	A/R	62-3400	Seal	73	13	2
56-4780	Impeller	75	5	1	62-3410	Cap	73	16	2
56-4780	Impeller	77	2	1	62-3420	Gasket (.015)	73	4	A/R
56-4810	Pulley - Gear Box	76	32	1	62-3430	Gasket (.005)	73	5	A/R
56-4810	Pulley - W.A. Gear Box	78	49	1	62-3440	Gasket (.003)	73	6	A/R
56-4900	Lever - Idler	76	16	1	62-3490	Plug - Pipe (Solid)	73	2	4
56-4920	Pulley - Idler	76	36	1	62-5550	Decal - TORO	2	37	1
56-4920	Pulley - Idler	78	9	1	62-5550	Decal - Toro	82	15	1
56-7973	Clamp	85	27	2	62-5570	Bearing - Roller	69	25	2
56-7982	Protector - Sleeve	85	9	1	62-5570	Bearing - Roller	50	22	2
57-0030	Screen - W.A.	70	5	1	62-5570	Bearing - Roller	55	22	2
57-0140	Shelf - W.A.	70	4	1	62-5570	Bearing - Roller	61	26	2
57-0210	Cover - Center	68	6	1	62-5580	Bushing	50	17	4
57-0220	Cover - L.H.	68	8	1	62-5580	Bushing	55	17	4

*Not Illustrated

PART NUMBER INDEX (Continued)

Part No.	Description	Pg. Ref. No. No. Qty.	Part No.	Description	Pg. Ref. No. No. Qty.
62-5580	Bushing	61 21 4	63-7960	Assembly - Lift Valve	11 * 1
62-5580	Bushing	69 20 4	63-7960	Valve - Lift	10 6 1
62-6520	Knob	75 12 2	63-8050	Box - Control	2 40 1
62-6520	Knob	78 4 1	63-8090	Assembly - Lower Housing	14 1 1
62-6520	Knob	77 8 2	63-8140	Pulley	31 28 1
62-6710	Plate (GM-322D, 327 & 345)	91 10 2	63-8150	Key	32 41 1
62-7400	Decal - Toro	17 18 1	63-8230	Angle - Clutch Anchor	32 16 2
62-7650	Gasket	13 39 1	63-8280	Assembly - Head	8 12 1
63-1220	Coupler - Quick Disconnect	85 15 2	63-8290	Vent - Air	8 45 1
63-1240	Nipple - Quick Disconnect	85 12 2	63-8300	Element - Spin-On	8 13 1
63-6010	Hose - Upper	12 18 1	63-8310	Valve - Drain	8 40 1
63-6020	Hose - Lower	12 21 1	63-8360	Key - Ignition	3 10 1
63-6030	Hub - Clutch	32 44 1	63-8410	Washer	49 11 4
63-6040	Hose - Air Cleaner Inlet	21 21 1	63-8410	Washer	58 17 4
63-6050	Clutch - Electric	32 40 1	63-8410	Washer - Flat	9 70 2
63-6160	Shaft - Traction Pedal	7 5 1	63-8410	Washer - Lock	54 12 4
63-6170	Assembly - Pivot Bracket	7 10 1	63-8410	Washer-Lock	66 18 4
63-6180	Pedal - L.H. Brake	5 26 1	63-9250	Valve - Power Steering	5 3 1
63-6190	Pedal - R.H. Brake	5 29 1	63-9700	Cover - Plate	77 26 1
63-6210	Pin - Brake	5 22 1	63-9700	Plate - Cover	75 34 1
63-6220	Shaft - PTO	8 20 1	63-9710	Spacer - Bearing	75 29 1
63-6240	Belt - PTO	8 18 1	63-9710	Spacer - Bearing	77 20 2
63-6250	Shaft - PTO Tension	32 34 1	63-9750	ISO Mount - Gear Box	49 9 4
63-6290	Pin - Tension	32 26 1	63-9750	ISO Mount - Gear Box	54 9 4
63-6410	Tube - Traction Control	17 1 1	63-9750	Mount	9 69 2
63-6430	Frame - Rear	27 3 1	63-9750	Mount	58 19 4
63-6440	Shield - Radiator	12 27 1	63-9750	Mount - Isolation	66 20 4
63-6530	Bracket - PTO Bearing	8 26 1	63-9830	Cover - Deck R.H.	60 5 1
63-6610	Drive Shaft	17 17 1	63-9840	Cutting Deck	58 1 1
63-6630	Cylinder - Lift	10 31 2	63-9900	Pulley	54 17 1
63-6690	Lever - Clutch Anchor	32 42 1	63-9900	Pulley - Gear Box	49 17 1
63-6700	Bracket	32 10 1	63-9900	Pulley - Gear Box	59 60 1
63-6720	Lever - Idler	31 24 1	63-9900	Pulley - Gear Box	67 62 1
63-6750	Link - Brake Cable	5 19 2	65-2740	Spacer	11 10 1
63-6760	Swivel - Throttle Cable	9 * 1	65-2750	Plunger	11 11 1
63-6760	Swivel - Throttle Cable	31 14 1	65-2760	Spring	11 12 1
63-6770	Pin - Rear Axle	27 7 1	65-2770	Washer	11 6 1
63-6880	Rod - Tie	27 32 2	65-2930	Assembly - Plug	11 13 1
63-6890	Plate - Hinge R.H.	2 42 1	65-2950	Spring	11 7 1
63-6900	Plate Hinge L.H.	1 10 1	65-5100	Handle - Hood	1 2 1
63-7030	Screen - Hood	1 3 1	65-5940	Pulley - Idler	48 17 1
63-7080	Plate - Seat	21 9 1	65-5940	Pulley - Idler	53 10 1
63-7141	Mount - Shock (Red)	8 8 1	65-5940	Pulley - Idler	58 15 2
63-7142	Mount - Shock (Yellow)	8 43 3	65-5940	Pulley - Idler	66 15 2
63-7170	Anchor - Transmission	17 41 1	65-5950	Bushing	53 12 1
63-7300	Fender - R.H.	2 39 1	65-5950	Bushing - Pulley	48 45 1
63-7310	Fender L.H.	1 20 1	65-5950	Bushing - Pulley	58 9 2
63-7320	Cover - Tower Rear	1 32 1	65-5950	Bushing - Pulley	66 8 2
63-7330	Cover - Tower Front	2 36 1	66-1340	Decal - Danger	48 8 2
63-7340	Wire - Ground	4 2 1	66-1340	Decal - Danger	53 33 2
63-7340	Wire - Ground	8 1 1	66-1340	Decal - Danger	58 3 2
63-7372	Tank - Fuel	13 40 1	66-1340	Decal - Danger	66 3 2
63-7380	Tank - Expansion	31 11 1	66-1630	Decal - 62	59 63 1
63-7400	Washer - Rebound	8 42 4	66-1930	Nut - Lock	30 6 1
63-7410	Bracket - Bulkhead	10 37 1	66-1940	Piston	30 5 1
63-7430	Gage - Temperature	3 15 1	66-2320	Mount - Engine	31 19 1
63-7440	Solenoid - Stop	32 1 1	66-2330	Base - Battery	8 6 1
63-7590	Relay	21 47 2	66-2360	Support - Muffler	32 6 2
63-7610	Hose	9 61 1	66-2440	Plate - Reservoir	31 10 1
63-7620	Hose	21 19 1	66-2450	Bracket - Air Cleaner	22 74 1
63-7630	Hose	13 7 2	66-2451	Bracket - Air Cleaner	21 29 2
63-7630	Hose	21 42 1	66-2460	Panel - Control	3 1 1
63-7640	Sender - Fuel	13 6 1	66-2470	Plate - Tower	2 41 1
63-7700	Assembly - Frame, Screen	12 1 1	66-2490	Clamp - Battery Retainer	8 5 1
63-7710	Magnetic Strip	12 2 1	66-2590	Pin - Seat Spring	21 43 1
63-7730	Assy. - Cable, Brake L.H.	5 16 1	66-2630	Latch - Seat	21 14 1
63-7731	Assy. - Cable, Brake R.H.	5 * 1	66-2670	Bracket - Throttle	9 57 1
63-7790	Screw	31 16 8	66-2720	Lever - Lift	10 4 1
63-7790	Screw	32 13 10	66-2770	Tube - Cylinder	30 1 1
63-7880	Pin - Brake Latch	5 23 1	66-2800	Rod - Seat Support	21 10 1
63-7900	Rack - Brake	5 15 1	66-2830	Box - Tool	1 19 1
63-7910	Rod - Brake Latch	5 9 1	66-2870	Cable - Hood Stop	2 45 1
63-7930	Pedal - Traction	7 1 1	66-2870	Cable - Hood Stop	32 8 1

*Not Illustrated

PART NUMBER INDEX (Continued)

Part No.	Description	Pg. Ref.		Part No.	Description	Pg. Ref.			
		No.	No.			No.	No.		
66-2900	Tie Rod End	32	20	1	66-8640	Assembly - Hose, Hydraulic	10	33	1
66-2910	Bumper - Rubber	32	17	2	66-8640	Hose	19	4	1
66-2920	Washer - Friction	9	53	2	66-8670	Decal - Hood R.H.	1	*	1
66-2940	Gage - Fuel	3	6	1	66-8680	Decal - Hood L.H.	1	7	1
66-2950	Meter - Hour	3	14	1	66-8690	Lamp Harness	4	4	1
66-2960	Cluster - Warning Light	3	5	1	66-8700	Indicator - Glow	31	32	1
66-2990	Cap - Spindle	27	14	2	66-8750	Decal - Control Levers	22	56	1
66-3040	Cover - Tool Box	1	14	1	66-8760	Decal - Tower L.H.	1	33	1
66-3050	Strip - Magnetic	1	15	1	66-8770	Decal - Tower R.H.	1	*	1
66-3060	Dipstick - Differential	13	36	1	66-8800	Relay	21	50	1
66-3100	Screw	32	29	1	66-8880	Decal - Caution	1	17	1
66-3110	Hyd. Fitting	17	9	2	66-8890	Decal Traction Pedal	2	38	1
66-3120	Hyd. Fitting - Cross	17	32	1	66-9290	Spacer - Suspension	25	19	4
66-3130	Fitting - Tee	10	12	1	66-9302	Screw - Flange Hd.	50	35	6
66-3160	Screw	32	48	1	66-9302	Screw - Flange Hd.	55	35	6
66-3160	Screw - Cap Hex. Hd.	17	20	2	66-9770	Seal	6	28	1
66-3180	Tube - Vent	12	20	1	66-9780	Bushing	6	29	1
66-3200	Tread - Foot Rest L.H.	1	29	1	66-9850	Bolt - Special	6	36	4
66-3210	Tread - Foot L.H.	1	30	1	66-9860	Upper Cover & Jacket	6	37	1
66-3220	Tread - Foot R.H.	1	31	1	66-9870	Plate - Retaining	6	38	1
66-3240	Cap - Radiator	12	6	1	66-9880	Washer - Retaining Plate	6	39	1
66-5400	Assembly - Seat	23	*	1	66-9890	Ring - Retaining	6	40	1
66-5400	Assembly - Seat	25	*	1	66-9900	Shaft - Input	6	41	1
66-6140	Decal	89	2	1	66-9970	Kit - Spring	6	*	1
66-6380	Decal - Defector Missing	58	2	1	66-9980	Kit - Seal	6	*	1
66-6380	Decal - Deflector Missing	48	6	1	66-9990	Kit - Needle Roller	6	*	1
66-6380	Decal - Deflector Missing	66	2	1	67-1630	Spacer - PTO	9	68	2
66-8110	Trim - Hood	1	8	1	67-1631	Spacer	32	30	1
66-8120	Standpipe	13	1	1	67-1690	Fitting	22	68	2
66-8130	Hose	19	2	1	67-1700	Decal - Starting Fluid	21	23	1
66-8130	Hose - Hydraulic	15	41	1	67-1710	Decal - Interlock	21	48	1
66-8140	Hose	5	31	1	67-1720	Decal - Caution	1	27	2
66-8140	Hose	19	11	1	67-1730	Plate - Nut	81	9	2
66-8150	Hose	19	6	1	67-1750	Bushing	27	9	6
66-8150	Hose - Hydraulic	10	14	1	67-1800	Pivot Plate	32	37	1
66-8160	Hose	17	35	2	67-1830	Carrier Bracket	13	31	2
66-8160	Hose	19	1	2	67-1900	Screw - Cap Hex. Hd.	17	43	1
66-8170	Hose	19	12	2	67-2200	Seal	37	4	4
66-8170	Hose - Hydraulic	5	37	2	67-2210	Plug - Taper	41	36	3
66-8180	Hose	19	5	1	67-2230	Seal-Oil	41	14	1
66-8180	Hose Assembly	12	10	1	67-2250	Bolt	37	5	8
66-8190	Assembly - Hose, Hydraulic	10	25	1	67-2260	Shaft-Idler	41	34	1
66-8190	Hose	19	3	1	67-2270	Case - Oil Seal	41	15	1
66-8230	Bracket - Mounting	64	5	2	67-2280	Gasket-Seal, Oil	41	13	1
66-8230	Bracket - Mounting	71	5	2	67-2290	Cover	41	10	1
66-8390	Spring - Extension	57	13	1	67-2300	Gasket	41	9	1
66-8390	Spring - Extension	71	13	2	67-2310	Plate - Front	36	6	1
66-8390	Spring - Heavy Duty	77	*	1	67-2320	Gasket - Plate	36	7	1
66-8390	Spring - Trim Side	64	13	1	67-2330	Bolt	38	34	4
66-8410	Spring - Discharge Side	64	*	1	67-2330	Bolt	39	49	2
66-8420	End - Spring	57	9	1	67-2330	Bolt	40	3	2
66-8420	End - Spring	64	9	2	67-2330	Bolt	41	16	6
66-8420	End - Spring	71	9	2	67-2340	Bolt W/Washer	36	3	3
66-8440	Link - Knee	64	11	2	67-2340	Bolt W/Washer	38	17	4
66-8440	Link - Knee	71	11	2	67-2340	Bolt W/Washer	41	11	2
66-8450	Link - Knee	57	11	1	67-2350	Plug - Expansion	41	25	1
66-8460	Bracket - Mounting	57	5	1	67-2360	Bushing - Knock	41	26	2
66-8490	Assembly - Hose	17	23	1	67-2370	Bushing - Knock	41	32	1
66-8490	Hose	19	10	1	67-2380	Bushing - Knock	41	27	3
66-8500	Hose	10	15	1	67-2390	Plug - Taper	41	24	1
66-8500	Hose	19	8	1	67-2410	Bearing Set 0.25 mm US	37	*	1
66-8500	Hose Assembly	12	30	1	67-2420	Bearing Set 0.50 mm US	37	*	1
66-8510	Adjuster w/Handle	25	14	1	67-2430	Bracket - Starter	41	23	1
66-8520	Bumper - Stop	25	15	2	67-2440	Bolt W/Washer	41	22	3
66-8530	Adjuster	25	18	1	67-2480	Gasket - Oil Pan	36	17	1
66-8540	Hanger - Spring	25	16	1	67-2500	Plunger - Relief	36	25	1
66-8560	Nut - Push	25	1	4	67-2510	Spring - Relief	36	26	1
66-8600	Frame - Upper	25	22	1	67-2520	Plug	36	28	1
66-8610	Frame - Lower	25	12	1	67-2530	Gear - Inner	36	12	1
66-8620	Tube	19	9	1	67-2540	Gear - Outer	36	11	1
66-8620	Tube Hydraulic (Pump-Str.)	5	33	1	67-2550	Housing - Oil Pump	36	10	1
66-8630	Tube	19	7	1	67-2560	Bolt W/Washer	36	9	3
66-8630	Tube - Hydraulic (Str.-Lift)	5	32	1	67-2570	Plug - Taper	36	29	1

*Not Illustrated

PART NUMBER INDEX (Continued)

Part No.	Description	Pg. No.	Ref. No.	Qty.	Part No.	Description	Pg. No.	Ref. No.	Qty.
67-2570	Plug - Taper	38	19	1	67-3350	Shim 0.9 mm	42	*	1
67-2580	Gasket - Case	36	2	1	67-3360	Shim 1.0 mm	42	*	1
67-2590	Seal - Oil	36	23	1	67-3370	Bolt W/Washer	42	39	4
67-2600	Bolt	36	21	3	67-3380	Nozzle & Holder Assembly	41	6	1
67-2610	Bolt	40	5	1	67-3380	Nozzle and Holder Assembly	44	*	3
67-2610	Bolt	36	22	4	67-3390	Gasket - Nozzle Holder	41	7	3
67-2620	Bolt	40	9	2	67-3400	Pipe Assy. No. 1	42	42	1
67-2630	Seal - O-Ring	36	24	1	67-3410	Pipe Assy. No. 2	42	43	1
67-2640	Cap	36	30	1	67-3420	Pipe Assy. No. 3	41	1	1
67-2650	Cap - Oil Filler	38	11	1	67-3430	Nut	41	2	3
67-2650	Oil Fill Cap Assembly	36	32	1	67-3440	Gasket	41	4	3
67-2660	Seal - O-Ring	36	31	1	67-3460	Housing-Pump	43	9	1
67-2660	Seal - O-Ring	38	10	1	67-3480	Seal - O-Ring	43	4	3
67-2670	Hose - Breather	38	8	1	67-3490	Spring	43	5	3
67-2680	Hanger -Engine	38	16	2	67-3500	Valve	43	7	3
67-2700	Guide - Valve	38	42	6	67-3520	Sleeve	43	10	3
67-2710	Cap - Sealing	38	41	3	67-3530	Seat - Spring Upper	43	11	3
67-2730	Bolt	38	43	8	67-3540	Spring	43	12	3
67-2740	Bolt - Flange	38	15	3	67-3550	Seat - Spring Lower	43	13	3
67-2750	Cover Assembly	38	6	1	67-3560	Plate - Shim 1.85 mm	43	14	1
67-2760	Gasket	38	14	1	67-3570	Plate - Shim 1.9 mm	43	*	1
67-2770	Nut - Cap	38	12	2	67-3580	Plate - Shim 1.95 mm	43	*	1
67-2780	Washer	38	13	2	67-3590	Plate - Shim 2.0 mm	43	*	1
67-2850	Rod Assembly-Connecting	34	9	3	67-3600	Plate - Shim 2.05 mm	43	*	1
67-2860	Bolt	34	12	6	67-3610	Plate - Shim 2.1 mm	43	*	1
67-2890	Bearing Set 0.25 mm US	34	*	3	67-3620	Plate - Shim 2.15 mm	43	*	1
67-2900	Bearing Set 0.50 mm US	34	*	3	67-3630	Plate - Shim 2.2 mm	43	*	1
67-2910	Gear	34	7	1	67-3640	Plate - Shim 2.25 mm	43	*	1
67-2920	Crankshaft	34	16	1	67-3650	Plate - Shim 2.3 mm	43	14	1
67-2930	Pulley - Crankshaft	34	19	1	67-3660	Plate - Shim 2.35 mm	43	*	1
67-2940	Nut - Jam	34	22	1	67-3670	Plate - Shim 2.4 mm	43	*	1
67-2950	Washer	34	20	1	67-3680	Plate - Shim 2.45 mm	43	*	1
67-2960	Washer - Lock	34	21	1	67-3690	Plate - Shim 2.5 mm	43	*	1
67-2970	Flywheel Assembly	34	13	1	67-3700	Tappet	43	15	3
67-2980	Gear - Ring	34	15	1	67-3710	Screw - Air Bleed	43	24	1
67-2990	Bolt	34	14	4	67-3720	Washer	43	23	1
67-3000	Washer	37	10	2	67-3730	Screw	43	22	1
67-3010	Cam Shaft	37	7	1	67-3740	Holder-Delivery Valve	43	3	3
67-3020	Gear	37	12	1	67-3740	Nipple - Swivel	43	21	1
67-3030	Bearing	37	9	2	67-3750	Washer	43	20	2
67-3040	Plate	37	14	1	67-3760	Plate - Lock	43	2	3
67-3050	Bearing	37	22	1	67-3770	Screw W/Washer	43	19	1
67-3060	Shaft	37	21	1	67-3780	Rack	43	17	2
67-3070	Gear	37	17	1	67-3790	Screw	43	18	1
67-3080	Snap Ring	37	23	1	67-3800	Bracket - Wire Stop	43	16	3
67-3090	Gear Assembly	37	13	1	67-3810	Pin - Tappet Guide	43	31	1
67-3100	Retainer	34	32	6	67-3830	Washer 1.25 mm	44	*	1
67-3110	Spring	34	31	6	67-3840	Washer 1.3 mm	44	*	1
67-3120	Tappet	34	6	6	67-3850	Washer 1.35 mm	44	*	1
67-3130	Valve - Intake	34	28	3	67-3860	Washer 1.4 mm	44	*	1
67-3140	Valve - Exhaust	34	29	3	67-3870	Washer 1.45 mm	44	*	1
67-3150	Rod-Push	34	5	6	67-3880	Washer 1.5 mm	44	*	1
67-3160	Arm-Rocker	34	1	6	67-3890	Washer 1.55 mm	44	*	1
67-3170	Spring	35	40	2	67-3900	Washer 1.6 mm	44	31	1
67-3180	Cap	34	34	6	67-3910	Washer 1.65 mm	44	*	1
67-3190	Rocker Shaft Assembly	34	38	1	67-3920	Washer 1.7 mm	44	30	3
67-3200	Stay - Rocker	34	35	3	67-3930	Spring	43	29	3
67-3210	Screw - Adjusting	34	4	6	67-3940	Pin - Pressure	43	28	3
67-3220	Pin	34	37	1	67-3950	Piece - Distance	43	27	3
67-3230	Nut - Jam	34	2	6	67-3960	Nozzle	43	25	3
67-3240	Snap Ring	34	3	2	67-3970	Nut - Retaining	43	26	3
67-3250	Bolt-Rocker Stay	35	43	2	67-3980	Gasket	45	1	1
67-3260	Washer	35	41	3	67-3990	Lever - Speed Control	45	2	2
67-3260	Washer	45	8	2	67-4000	Pin	45	15	1
67-3260	Washer	47	3	1	67-4010	Stopper	45	23	1
67-3280	Shim 0.2 mm	41	38	1	67-4030	Rod - Tie	45	13	1
67-3290	Shim 0.3 mm	41	*	1	67-4040	Weight Assembly	45	19	1
67-3300	Shim 0.5 mm	41	*	1	67-4050	Shaft - Governor	45	18	1
67-3310	Shim 0.4 mm	41	*	1	67-4060	Lever - Governor	45	16	1
67-3320	Shim 0.6 mm	41	*	1	67-4070	Shaft - Sliding	45	24	1
67-3330	Shim 0.7 mm	41	*	1	67-4080	Clip	45	21	1
67-3340	Shim 0.8 mm	42	38	1	67-4090	Lever - Tension	45	*	1
		42	*	1	67-4110	Cover Assembly	45	*	1

*Not Illustrated

PART NUMBER INDEX (Continued)

Part No.	Description	Pg. No.	Ref. No.	Qty.	Part No.	Description	Pg. No.	Ref. No.	Qty.
67-4120	Pin - Grooved	45	35	1	67-5040	Spring	45	20	1
67-4130	Cover - Governor	45	4	1	67-5360	Decal - Shield Missing	48	49	2
67-4140	Lever - Stop	45	11	1	67-5360	Decal - Shield Missing	53	8	2
67-4150	Lever - Stop	45	40	1	67-5360	Decal - Shield Missing	58	4	3
67-4160	Gasket	45	5	1	67-5360	Decal - Shield Missing	66	13	3
67-4170	Spring Set	45	*		67-5450	Piston	86	8	1
67-4180	Nut	45	31	1	67-5460	Head	86	7	1
67-4190	Spring - Torque	45	28	1	67-5470	Ring - Retaining	86	6	1
67-4200	Nut - Special	45	30	1	67-5500	Kit - Repair	86	5	1
67-4210	Case - Torque Spring	45	26	1	67-5770	Washer	67	54	3
67-4220	Screw - Adjusting	45	29	1	67-5770	Washer - Lock	59	55	3
67-4230	Stopper	45	27	1	67-7050	Field Rotor Assembly	33	1	1
67-4270	Bolt	45	3	4	67-7060	Ring - Retaining	33	8	1
67-4280	Bolt W/Washer	45	17	1	67-7070	Armature & Pulley Assembly	33	5	1
67-4290	Nut	45	34	4	67-7080	Collar - Bearing	33	6	1
67-4310	Gasket	34	23	1	67-7090	Bearing - Pulley	33	7	1
67-4330	Oil Filter Assembly	42	40	1	67-7100	Plate - Brake	33	11	1
67-4340	Screen Assembly	41	31	1	67-7120	Fusible Link	4	5	1
67-4350	Switch - Oil Pressure	40	8	1	67-7130	Diode	4	6	1
67-4360	Pulley - Water Pump	40	1	1	67-7160	Fuse Block	21	1	1
67-4380	Water Pump Assembly	40	6	1	67-7180	Wire - Seat	4	9	1
67-4390	Gasket - Water Pump	40	7	1	67-7210	R-Clamp	9	60	2
67-4400	Bolt	38	1	2	67-7250	Spacer Cyl.	27	39	1
67-4400	Bolt	40	4	1	67-7300	Screw Hex Hd.	27	36	1
67-4410	V-Belt	40	2	1	67-7500	Upper Support Tube Assy.	81	15	1
67-4420	Fitting - Water	39	46	1	67-7540	Deflector - Front	76	42	1
67-4430	Gasket - Fitting	39	45	1	67-9410	Washer - Flat	28	52	1
67-4440	Thermostat	38	38	1	67-9550	Cushion - Seat	23	1	1
67-4450	Fitting - Thermostat	38	32	1	67-9560	Shell - Seat	23	2	1
67-4460	Gasket - Switch	38	31	1	67-9580	Seal - Foam	56	1	1
67-4470	Bolt	38	33	1	67-9590	Pin - Mounting	56	4	2
67-4480	Pipe - By-Pass	38	37	1	67-9610	Assembly - Shield	56	6	1
67-4490	Gasket	38	30	1	68-5140	Cap - Steering Wheel	5	7	1
67-4500	Switch - Thermo	38	29	1	68-5370	Decal - Toro	5	40	1
67-4510	Gauge Nut - Temperature	38	35	1	68-6810	Assembly - Gear Box	49	14	1
67-4520	Pipe	38	2	1	68-6810	Gear Box	54	14	1
67-4530	Cover - Intake	38	5	1	68-6810	Gear Box	58	22	1
67-4540	Seal - O-Ring	38	3	1	68-6810	Gear Box	66	22	1
67-4550	Gasket - Intake Manifold	38	44	1	68-7030	Housing	73	1	1
67-4560	Manifold - Exhaust	38	24	1	68-7040	Shaft	73	17	1
67-4570	Gasket - Exhaust Manifold	38	26	1	68-7050	Shaft	73	19	1
67-4580	Bolt	38	22	2	68-7060	Gear	73	18	1
67-4590	Bolt	38	23	4	68-7070	Ring - Retaining	73	7	2
67-4610	Bolt W/Washer	46	2	2	68-7080	Gear	73	10	1
67-4620	Spacer	47	21	1	68-7260	Decal - Rear Weight 35#	58	45	1
67-4630	Alternator Assembly	47	1	1	68-7270	Decal - Rear Weight 70#	66	47	1
67-4640	Bolt	47	22	1	68-7370	Wire - Glow	4	11	1
67-4660	Bolt - Flange	47	26	1	68-7380	Assembly - Connector	4	12	1
67-4670	Nut	47	2	1	68-8340	Decal - Blade Bolt Torque	48	31	1
67-4680	Plug - Glow	38	39	3	68-8340	Decal - Blade Bolt Torque	53	23	1
67-4690	Plate - Glow Plug	38	40	1	68-8340	Decal - Blade Bolt Torque	58	44	1
67-4700	Lamp - Glow	38	27	1	68-8340	Decal - Blade Bolt Torque	66	32	1
67-4720	Lever	46	4	1	68-8360	Decal - H.O.C.	50	8	1
67-4730	Spring Set	46	5	1	68-8360	Decal - H.O.C.	61	8	1
67-4750	Switch	46	7	1	68-8360	Decal - Height Of Cut	69	32	1
67-4760	Shaft Assembly	46	15	1	68-8530	Base - Gear Box	66	16	1
67-4770	Pinion Set	46	14	1	68-8560	Assy. - Bracket, Gear Box	58	24	2
67-4780	Gear Set	46	12	1	68-8560	Bracket - Gear Box	49	10	2
67-4790	Shaft	46	11	1	68-8560	Bracket - Gear Box	54	10	2
67-4800	Yoke	46	20	1	68-8560	Bracket - Gear Box	66	23	2
67-4810	Pulley Set	47	16	1	68-8900	Fork - Castor	69	14	2
67-4820	Bolt Set	47	20	1	68-8900	Fork - Castor, Front	50	12	2
67-4830	Front Bracket Assembly	47	15	1	68-8900	Fork - Castor, Front	55	12	2
67-4840	Screw Set	47	18	1	68-8900	Fork - Castor, Front	61	15	2
67-4850	Bearing - Front	47	19	1	68-8920	Wheel Half - Female	50	20	2
67-4860	Rotor Assembly	47	7		68-8920	Wheel Half - Female	55	20	2
67-4870	Bearing - Rear	47	6	1	68-8920	Wheel Half - Female	61	24	2
67-4880	Stator	47	10	1	68-8920	Wheel Half - Female	69	23	2
67-4890	Rear Cover Assembly	47	9	1	68-8930	Wheel Half - Male	50	21	2
67-4900	Terminal Set	47	11	1	68-8930	Wheel Half - Male	55	21	2
67-4910	Regulator Assembly	47	12	1	68-8930	Wheel Half - Male	61	25	2
67-4920	Brush	47	13	2	68-8930	Wheel Half - Male	69	24	2
67-4930	Rectifier	47	8	1	68-8940	Hub - Center	50	15	2

*Not Illustrated

PART NUMBER INDEX (Continued)

Part No.	Description	Pg. Ref. No. No. Qty.	Part No.	Description	Pg. Ref. No. No. Qty.
68-8940	Hub - Center	55 15 2	72-9361	Cup - Anti Scalp	53 29 3
68-8940	Hub - Center	61 19 2	72-9361	Cup - Anti-Scalp	59 57 3
68-8940	Hub - Center	69 18 2	72-9361	Cup - Anti-Scalp	67 56 3
68-8950	Tube - w/Valve	61 23 2	72-9370	Shim (.020)	73 11 2
68-8950	Tube w/Valve	50 19 2	72-9420	Vent Assembly	15 40 1
68-8950	Tube w/Valve	55 19 2	74-0720	Tube - Manual	26 1 1
68-8960	Tire	69 22 2	75-0560	Wheel - Steering	5 6 1
68-8960	Tire	50 13 2	75-0810	Decal - Caution	2 50 2
68-8960	Tire	55 13 2	75-0900	Engine	31 18 1
68-8960	Tire	69 16 2	75-4702	Hose - Fuel	12 23 1
68-8980	Bushing - Spanner	61 17 2	75-4704	Hose	12 35 1
68-8980	Bushing - Spanner	50 23 2	75-4900	Bearing Set STD	37 3 1
68-8980	Bushing - Spanner	55 23 2	75-4910	Oil Pan Assembly	36 14 1
68-8980	Bushing - Spanner	61 27 2	75-4920	Case	36 1 1
68-8980	Bushing - Spanner	74 4 1	75-4930	Cylinder Head Assembly	38 28 1
68-8980	Bushing - Spanner	69 26 2	75-4940	Brace - Alternator	47 23 1
68-8980	Bushing - Spanner	54 8 1	75-4950	Gasket - Cylinder Head	38 25 1
68-8980	Bushing - Spanner	49 8 1	75-4960	Block Assembly	37 1 1
68-8980	Bushing - Spanner	66 21 1	75-4970	Element	43 8 3
68-8980	Bushing - Spanner	58 20 1	75-4980	Lever - Governor Spring	45 7 1
68-8980	Bushing - Spanner	24 * 1	75-4990	Spring - Governor	45 25 1
68-8980	Bushing - Spanner	24 4 1	75-5000	Body	44 32 3
68-8980	Bushing - Spanner	24 1 2	75-5010	Bearing Set STD	34 8 3
68-8980	Bushing - Spanner	24 6 4	75-5020	Injector Pump Assembly	42 41
68-8980	Bushing - Spanner	3 18 1	75-5040	Gasket Kit	36 * 1
68-8980	Bushing - Spanner	49 13 1	75-5050	Ring Set STD	34 11 3
68-8980	Bushing - Spanner	54 11 1	75-5060	Ring Set 0.25 mm OS	34 * 3
68-8980	Bushing - Spanner	58 18 1	75-5070	Ring Set 0.50 mm OS	34 * 3
68-8980	Bushing - Spanner	66 19 1	75-5080	Piston & Pin Set STD	34 10 3
68-8980	Bushing - Spanner	13 34 1	75-5090	Piston & Pin Set	34 * 3
68-8980	Bushing - Spanner	14 22 1	75-5100	Piston & Pin Set	34 * 3
68-8980	Bushing - Spanner	21 51 1	75-5110	Cover Assy.	34 24 1
68-8980	Bushing - Spanner	10 3 1	75-5120	Gasket	35 45 1
68-8980	Bushing - Spanner	57 7 2	75-6880	Spark Arrestor Screen	32 * 1
68-8980	Bushing - Spanner	64 7 4	76-1000	Cable - Throttle	9 59 1
68-8980	Bushing - Spanner	71 7 4	76-1910	Shaft - Pivot	25 2 2
68-8980	Bushing - Spanner	57 14 1	76-1920	Bearing - Sleeve	25 13 4
68-8980	Bushing - Spanner	64 14 2	76-1930	Knob Adjustment	25 20 1
68-8980	Bushing - Spanner	71 14 2	76-1940	Spring - Extension	25 23 2
68-8980	Bushing - Spanner	57 16 1	76-1990	Bracket - Frame	81 35 4
68-8980	Bushing - Spanner	64 16 2	76-2070	Cylinder - Steering	27 40 1
68-8980	Bushing - Spanner	71 16 2	76-2080	Assembly - Piston Rod	30 4 1
68-8980	Bushing - Spanner	76 1 1	76-2090	Kit - Seal	30 2 1
68-8980	Bushing - Spanner	31 30 1	76-2790	Gland	30 3 1
68-8980	Bushing - Spanner	13 11 1	76-2940	Bumper	25 8 2
68-8980	Bushing - Spanner	41 3 1	76-2970	Washer - Thrust	28 55 2
68-8980	Bushing - Spanner	45 22 1	76-2980	Axle-Rear	27 37 1
68-8980	Bushing - Spanner	46 1 1	76-2980	Lift Arm - R.H.	13 * 1
68-8980	Bushing - Spanner	46 3 1	76-3000	Lift Arm - L.H.	13 30 1
68-8980	Bushing - Spanner	46 6 1	76-3080	Spindle - Wheel L.H.	27 17 1
68-8980	Bushing - Spanner	41 8 1	76-3090	Spindle - Wheel R.H.	27 35 1
68-8980	Bushing - Spanner	41 5 1	76-4510	Pad - Rubber	1 11 1
68-8980	Bushing - Spanner	31 44 1	76-4520	Pivot - Steering	27 28 1
68-8980	Bushing - Spanner	55 8 1	76-4790	Rod - Tie	10 18 1
68-8980	Bushing - Spanner	31 17 1	76-4810	Plate - Warning	12 12 1
68-8980	Bushing - Spanner	12 9 1	76-4830	Cover - Pulley	76 45 1
68-8980	Bushing - Spanner	9 55 1	76-8750	Bracket - Spring	76 27 1
68-8980	Bushing - Spanner	27 2 1	77-0130	Assembly - Cover, Right	76 25 1
68-8980	Bushing - Spanner	22 57 1	77-0160	Tube - Fill	15 44 1
68-8980	Bushing - Spanner	90 4 1	77-0180	Extension - Snout	81 11 1
68-8980	Bushing - Spanner	47 27 1	77-0550	Pulley W.A. - Splined	78 5 1
68-8980	Bushing - Spanner	48 40 1	77-0680	Mount - Blower W.A.	77 6 1
68-8980	Bushing - Spanner	49 2 1	77-5420	Bracket W.A. - R.H.	78 25 1
68-8980	Bushing - Spanner	54 2 1	77-5440	Bracket W.A. - L.H.	78 33 1
68-8980	Bushing - Spanner	49 6 1	77-5520	Support - Cover	78 34 1
68-8980	Bushing - Spanner	54 6 1	77-5560	Cover - Deck, R.H.	78 1 1
68-8980	Bushing - Spanner	53 34 1	77-5600	Cover - Gear Box	77 11 1
68-8980	Bushing - Spanner	49 1 1	77-5620	Shelf W.A. - Rear	79 10 1
68-8980	Bushing - Spanner	58 23 1	77-5630	Deflector W.A. - Rear	79 8 1
68-8980	Bushing - Spanner	60 6 1	77-5640	Deflector W.A. - Front	79 7 1
68-8980	Bushing - Spanner	54 1 1	77-5670	Plate W.A. - Mounting	77 4 1
68-8980	Bushing - Spanner	49 23 1	77-5740	Shelf W.A. - Right	79 11 1
68-8980	Bushing - Spanner	48 36 3	77-5820		
68-8980	Bushing - Spanner		77-5850		

*Not Illustrated

PART NUMBER INDEX (Continued)

Part No.	Description	Pg. Ref.			Part No.	Description	Pg. Ref.		
		No.	No.	Qty.			No.	No.	Qty.
77-5930	Shelf W.A. - Bottom, Left	79	3	1	82-5850	Seal - Cover, Rear	83	28	1
77-5950	Cylinder - Lift	82	8	1	82-5851	Seal - Side	83	29	2
77-5960	Assembly - Hose	85	8	2	82-5860	Seal - Right	83	*	1
77-5970	Assembly - Hose	85	16	2	82-5861	Seal - Left	83	17	1
77-5980	Assembly - Tube	85	25	1	82-5870	Foam	84	10	2
77-5990	Assembly - Tube	85	30	1	82-5880	Bumper	82	36	2
77-6000	Frame W.A. - Main	82	9	1	82-8110	Retainer - Oil Guide	42	44	1
77-6160	Bracket W.A. - Rear	82	19	1	82-8530	Fitting	17	26	1
77-6210	Bracket W.A. - Side, R.H.	82	26	1	82-8810	Baffle - Front, L.H.	62	3	1
77-6240	Bracket W.A. - Side, L.H.	82	23	1	82-8820	Baffle - Front, R.H.	62	4	1
77-6360	Arm W.A. - L.H., Lower	82	10	1	82-8950	Foam	2	51	2
77-6390	Arm W.A. - Lower, R.H.	82	33	1	83-4520	Cradle - Rear	50	33	2
77-6430	Arm W.A.	83	19	1	83-4520	Cradle - Rear	55	33	2
77-6490	Rod	83	24	2	83-4520	Cradle - Rear	61	33	2
77-6510	Hopper	83	27	1	83-4520	Cradle - Rear	69	33	2
77-6520	Cover - Hopper, Front	83	9	1	83-4550	Assembly - Frame, Deck	55	2	1
77-6530	Cover - Rear	84	3	1	83-4550	Frame - Deck Suspension	50	2	1
77-6540	Pin - Hinge	84	2	1	83-4560	Frame	61	1	1
77-6560	Pin - Mount, Cylinder	82	6	1	83-4570	Carrier Frame	69	1	1
77-6561	Pin	82	20	1	83-4580	Spacer	50	36	2
77-6600	Pin	82	12	4	83-4580	Spacer	55	36	2
77-6600	Pin	83	16	2	84-1870	Bracket WA.	31	23	1
77-6601	Pin	82	34	1	84-1880	Fan - Cooling	31	1	1
77-6602	Pin	82	30	1	84-1890	Pulley - Fan	31	2	1
77-6650	Plate - Backup	83	12	1	84-1910	Muffler	32	3	1
77-6651	Plate - Backup	83	11	1	84-1930	Hub - Fan	31	3	1
77-6660	Plate - Backup	83	13	1	84-1940	Hub	31	7	1
77-6670	Bracket - Coupler	82	28	1	84-1950	Decal - GM 223-D	1	5	2
77-6690	Strap	82	21	2	84-1960	Decal - Service	1	18	1
77-6700	Weight - Wheel 75#	88	4	1	84-7570	Radiator Support Assembly	12	5	1
77-6710	Blade	79	9	3	84-7580	Plate - Bushing Support	9	64	1
77-6740	Arm W.A. - Lift, Main	82	2	1	84-7660	Clamp - Column	5	44	1
77-6750	Arm W.A.	82	5	1	84-7670	Foam - Column Support	5	43	2
77-6770	Hinge	83	7	1	84-7680	Shroud - Fan	12	19	1
77-6890	Latch	84	6	1	84-7700	Assembly - Frame	2	35	1
77-6940	Bumper W.A.	78	45	1	84-7720	Belt - Fan	31	29	1
77-6960	Shaft	86	4	1	84-7740	Assembly - Hood	1	1	1
77-6970	Barrel	86	10	1	84-8600	Brake Shoe Set	16	16	1
77-6980	Clevis	86	1	1	85-4980	Switch - PTO	3	3	1
77-6990	Nut	86	3	1	85-7520	Frame - Seat	22	55	1
80-0080	Cover L.H.	54	23	1	85-7540	Wire Harness	4	3	1
80-2810	Bracket - Pivot R.H.	77	15	1	85-7560	Plate - Control Panel	3	16	1
80-2820	Bracket - Pivot, L.H.	77	5	1	217-116	Rim	29	2	1
80-3200	Shaft	78	41	1	217-117	Rim	13	19	2
80-3230	Pin - Special	78	39	1	217-118	Rim	27	19	2
80-3250	Screw - Pivot	78	12	1	218-446	Nut - Hex.	3	9	1
80-3310	Assembly - Arm	78	15	1	218-447	Washer - Lock	3	8	1
80-3360	Lever W.A. - Pivot	85	3	1	218-461	Nut - Jam	22	64	1
80-3440	Shaft - Roller	78	40	1	218-473	Boot - Switch	3	11	1
80-3450	Bracket - Roller	78	38	1	218-497	Nut - Face	3	12	1
80-3490	Handle W.A.	85	2	1	218-573	Fuse 5.0A	4	8	2
80-3550	Stop - Deflector	78	36	1	218-574	Fuse 7.5A	4	7	1
80-3560	Rod - Threaded	78	17	1	218-576	Nut - Hex.	3	4	1
80-3570	Hook	78	20	1	219-17	Bulb - Light	4	10	4
80-3580	Roller	78	44	1	231-95	Tire	29	1	1
80-3590	V-Belt	78	8	1	231-101	Tire	13	18	2
80-3720	Chute Assembly	77	35	1	231-105	Tire	27	18	2
80-4640	Decal - Valve Operation	85*	36	1	232-27	Valve Stem	29	3	1
80-4650	Decal	82	13	1	232-31	Valve Stem w/Cap	13	21	2
80-4660	Decal - Warning	82	*	1	232-35	Stem - Valve	27	26	2
80-4670	Plate	77	33	2	233-17	Knob	5	8	1
80-4740	Plate	83	4	1	233-39	Knob	9	54	1
80-4760	Decal	83	2	1	233-39	Knob	10	5	1
80-4900	Kit - Auxiliary Valve	85	37	1	237-7	O-Ring	22	62	1
80-4980	Washer - Flat	84	7	1	237-21	O-Ring	85	7	4
82-2310	Radiator Assembly	12	26	1	237-21	Seal - O-Ring	27	47	2
82-5510	Decal - Warning	75	4	1	237-22	O-Ring	5	38	2
82-5510	Decal - Warning	77	1	1	237-22	O-Ring	10	28	2
82-5810	Shield - Top	83	32	1	237-22	O-Ring	17	25	1
82-5820	Shield - Wide	83	31	1	237-22	O-Ring	85	24	2
82-5821	Shield - Narrow	83	34	1	237-22	Seal - O-Ring	10	11	7
82-5830	Flat - Short	83	35	1	237-30	O-Ring	5	36	2
82-5840	Flat - Long	83	30	2	237-30	O-Ring	22	58	1

*Not Illustrated

PART NUMBER INDEX (Continued)

Part No.	Description	Pg. No.	Ref. No.	Qty.	Part No.	Description	Pg. No.	Ref. No.	Qty.
237-42	O-Ring	17	7	4	283-55	Pin - Clevis	69	30	4
237-42	O-Ring	85	11	4	283-58	Pin - Clevis	2	44	1
237-42	O-Ring	87	2	2	283-58	Pin - Clevis	5	17	4
237-65	Seal - O-Ring	10	9	5	283-58	Pin - Clevis	10	23	1
237-78	O-Ring	85	5	4	283-69	Pin - Clevis	57	15	1
237-78	Seal - O-Ring	27	45	2	283-69	Pin - Clevis	64	15	2
237-79	O-Ring	85	22	2	283-69	Pin - Clevis	71	15	2
237-80	O-Ring	17	33	1	285-17	Plug - Pipe	18	28	4
237-136	Grommet	13	12	3	289-6	Nipple - Pipe	15	45	1
241-119	Cap - Hub	27	25	2	2810-1	Coupler	15	46	1
242-34	Stud - Axle Flange	16	9	10	302-2	Fitting - Grease	66	37	3
249-21	Latch - Draw	49	22	3	302-2	Fitting - Grease	48	23	3
249-21	Latch - Draw	54	22	3	302-2	Fitting - Grease	53	15	3
249-21	Latch - Draw	60	10	5	302-2	Fitting - Grease	58	33	3
249-21	Latch - Draw	68	10	6	302-5	Fitting - Grease	5	30	2
249-21	Latch - Draw	76	29	2	302-5	Fitting - Grease	27	11	3
2410-67	Plug	91	11	2	302-5	Fitting - Grease	32	32	1
2411-36	End - Rod	7	14	1	302-5	Fitting - Grease	50	29	2
2411-48	Rod End	83	21	2	302-5	Fitting - Grease	55	29	2
2411-49	Rod End - L.H. Thd.	83	26	2	302-5	Fitting - Grease	61	14	2
2412-4	R-Clamp	17	40	1	302-5	Fitting - Grease	69	13	2
2412-34	Clamp - Hose	12	17	4	302-5	Fitting - Grease	82	11	8
2412-34	Clamp - Hose	15	42	4	302-5	Fitting - Grease	83	18	2
2412-36	Clamp	5	34	2	302-40	Fitting - Grease	50	6	2
2412-36	Clamp	13	38	1	302-55	Fitting - Grease	74	7	1
2412-36	Clamp - Hose	10	13	3	302-55	Fitting - Grease	86	2	2
2412-42	Clamp - Hose	21	22	1	302-58	Fitting - Grease	8	30	1
2412-74	R-Clamp	21	52	1	302-61	Fitting - Grease	50	18	2
2412-92	Clamp - Hose	22	73	1	302-61	Fitting - Grease	55	18	2
2412-96	R-Clamp	13	9	1	302-61	Fitting - Grease	61	22	2
2412-103	R-Clamp	12	22	2	302-61	Fitting - Grease	69	21	2
2412-104	R-Clamp	9	73	2	302-62	Fitting - Grease	13	29	2
2412-105	Clamp - Tube, Double	85	19	2	302-62	Fitting - Grease	27	50	1
2412-107	R-Clamp	22	71	1	304-46	Drain Cock	12	28	1
2412-108	Clamp	9	52	2	304-46	Fitting - Drain	13	37	1
2412-108	Clamp	13	2	4	304-99	Fitting - 90° Elbow	10	27	2
2412-108	Clamp - Hose	12	7	8	321-3	Screw - Cap Hex. Hd.	5	21	1
2412-108	Clamp - Hose	21	41	4	321-3	Screw - Cap Hex. Hd.	31	37	4
2412-108	Hose Clamp	17	34	4	321-3	Screw - Cap Hex. Hd.	32	14	2
251-77	Collar - Locking	8	22	1	321-3	Screw - Cap Hex. Hd.	75	30	13
251-253	Bearing - PTO Shaft	8	23	1	321-3	Screw - Cap Hex. Hd.	77	21	13
251-259	Bearing - Ball	20	23	1	321-4	Screw - Cap Hex. Hd.	8	9	4
251-326	Flange - Bearing	9	66	2	321-4	Screw - Cap Hex. Hd.	10	38	2
251-335	Bearing	32	33	1	321-4	Screw - Cap Hex. Hd.	12	16	4
253-129	Seal - Hub	27	27	2	321-4	Screw - Cap Hex. Hd.	20	21	2
253-139	Seal	58	51	6	321-4	Screw - Cap Hex. Hd.	21	12	4
253-139	Seal - Wave	48	27	6	321-4	Screw - Cap Hex. Hd.	27	8	1
253-139	Seal - Wave	53	19	6	321-4	Screw - Cap Hex. Hd.	27	8	1
253-139	Seal - Wave	67	60	6	321-4	Screw - Cap Hex. Hd.	31	35	1
254-65	Cone - Tapered, Bearing	15	33	2	321-4	Screw - Cap Hex. Hd.	76	26	7
254-66	Cup - Tapered, Bearing	15	32	2	321-4	Screw - Cap Hex. Hd.	78	22	3
254-72	Cup - Bearing	27	20	4	321-4	Screw - Cap Hex. Hd.	79	12	3
254-90	Cup - Bearing	14	24	1	321-5	Screw - Cap Hex. Hd.	13	16	3
254-91	Cone - Bearing	14	25	1	321-6	Screw - Cap Hex. Hd.	22	69	1
254-94	Cone - Bearing	27	21	4	321-6	Screw - Cap Hex. Hd.	79	4	3
256-42	Bushing	5	27	4	321-8	Screw - Cap Hex. Hd.	21	38	2
256-76	Bushing	82	4	14	321-8	Screw - Cap Hex. Hd.	85	29	1
256-77	Bushing	82	3	2	321-9	Screw - Cap Hex. Hd.	20	3	2
256-101	Bushing	13	28	4	321-11	Screw - Cap Hex. Hd.	10	16	2
256-121	Washer - Thrust	27	16	2	321-14	Screw - Cap Hex. Hd.	85	4	3
256-156	Bushing - Flange	7	9	2	321-39	Screw - Cap Hex. Hd.	1	4	7
256-206	Bushing	78	14	1	322-2	Screw - Cap Hex. Hd.	76	40	2
256-284	Bushing	84	5	1	322-2	Screw - Cap Hex. Hd.	79	5	5
256-299	Bushing	32	36	2	322-3	Screw	62	2	6
257-9	Washer - Thrust	78	29	1	322-3	Screw - Cap Hex. Hd.	8	37	1
257-10	Washer	78	13	1	322-3	Screw - Cap Hex. Hd.	25	11	4
282-27	Clevis	10	22	1	322-3	Screw - Cap Hex. Hd.	75	23	2
283-16	Pin - Clevis	10	19	1	322-3	Screw - Cap Hex. Hd.	76	5	3
283-17	Pin - Clevis	85	34	1	322-3	Screw - Cap Hex. Hd.	78	48	8
283-49	Pin - Clevis	21	8	2	322-3	Screw - Cap Hex. Hd.	81	30	2
283-55	Pin - Clevis	50	5	4	322-3	Screw - Cap Hex. Hd.	85	17	2
283-55	Pin - Clevis	55	5	4	322-3	Screw - Cap Hex. Hd.	22	72	4
283-55	Pin - Clevis	61	31	4	322-4	Screw	31	6	2

*Not Illustrated

PART NUMBER INDEX (Continued)

Part No.	Description	Pg. Ref.		Part No.	Description	Pg. Ref.	
		No.	Qty.			No.	Qty.
322-4	Screw - Cap Hex. Hd.	54	7 2	325-32	Screw - Cap Hex. Hd.	55	4 6
322-4	Screw - Cap Hex. Hd.	76	3 2	325-32	Screw - Cap Hex. Hd.	76	49 2
322-4	Screw - Cap Hex. Hd.	81	31 2	325-32	Screw - Cap Hex. Hd.	61	2 6
322-4	Screw - Cap Hex. Hd.	49	7 2	325-32	Screw - Cap Hex. Hd.	69	2 6
322-5	Screw - Cap Hex. Hd.	5	4 2	328-7	Screw - Cap Hex. Hd.	10	32 2
322-5	Screw - Cap Hex. Hd.	8	39 15	328-25	Screw - Cap Hex. Hd.	27	41 1
322-5	Screw - Cap Hex. Hd.	13	8 1	3210-5	Screw - Cap Hex. Hd.	17	12 4
322-5	Screw - Cap Hex. Hd.	21	32 5	3210-7	Screw - Cap Hex. Hd.	14	23 8
322-5	Screw - Cap Hex. Hd.	23	9 8	3210-7	Screw - Cap Hex. Hd.	20	4 1
322-5	Screw - Cap Hex. Hd.	78	3 2	3210-8	Screw - Cap Hex. Hd.	17	24 2
322-5	Screw - Cap Hex. Hd.	32	7 1	3211-8	Screw - Cap Hex. Hd.	48	44 1
322-6	Screw - Cap Hex. Hd.	32	50 1	3211-8	Screw - Cap Hex. Hd.	53	13 1
322-6	Screw - Cap Hex. Hd.	82	17 4	3211-8	Screw - Cap Hex. Hd.	58	8 1
322-9	Screw - Cap Hex. Hd.	8	34 4	3211-8	Screw - Cap Hex. Hd.	66	6 1
322-10	Screw - Cap Hex. Hd.	90	5 2	3211-9	Screw - Cap Hex. Hd.	58	32 1
322-11	Screw - Cap Hex. Hd.	31	21 1	3211-9	Screw - Cap Hex. Hd.	66	31 1
322-11	Screw - Cap Hex. Hd.	81	19 2	3211-15	Screw - Cap Hex. Hd.	48	47 2
322-17	Screw - Cap Hex. Hd.	20	18 1	3212-5	Screw	32	25 1
322-33	Screw - Cap Hex. Hd.	21	5 6	3214-5	Screw - Cap Hex. Hd.	13	35 4
323-4	Screw - Cap Hex. Hd.	54	16 4	3217-5	Nut - Hex.	31	47 1
323-4	Screw - Cap Hex. Hd.	58	26 4	3217-6	Nut - Hex.	23	5 4
323-4	Screw - Cap Hex. Hd.	59	59 2	3217-6	Nut - Hex.	50	24 8
323-4	Screw - Cap Hex. Hd.	63	3 11	3217-6	Nut - Hex.	55	24 8
323-4	Screw - Cap Hex. Hd.	66	34 6	3217-6	Nut - Hex.	61	28 8
323-4	Screw - Cap Hex. Hd.	70	2 10	3217-6	Nut - Hex.	69	29 8
323-4	Screw - Cap Hex. Hd.	49	16 4	3217-9	Nut - Hex.	56	2 2
323-6	Screw - Cap Hex. Hd.	31	25 1	3217-9	Nut - Hex.	65	5 2
323-6	Screw - Cap Hex. Hd.	52	1 8	3217-9	Nut - Hex.	72	5 6
323-6	Screw - Cap Hex. Hd.	76	37 6	3217-9	Nut - Hex.	89	9 10
323-6	Screw - Cap Hex. Hd.	79	1 4	3217-16	Nut - Hex.	20	11 2
323-6	Screw - Cap Hex. Hd.	82	27 4	3218-3	Nut - Jam	17	42 2
323-6	Screw - Cap Hex. Hd.	58	39 2	3218-3	Nut - Jam	75	21 2
323-7	Screw - Cap Hex. Hd.	66	48 4	3218-3	Nut - Jam	77	16 2
323-7	Screw - Cap Hex. Hd.	75	18 2	3218-5	Nut	92	1 8
323-7	Screw - Cap Hex. Hd.	76	39 1	3218-5	Nut - Hex. Jam	56	3 2
323-7	Screw - Cap Hex. Hd.	77	14 2	3218-5	Nut - Jam	89	6 1
323-7	Screw - Cap Hex. Hd.	81	21 7	3219-2	Nut	14	2 8
323-8	Screw - Cap Hex. Hd.	18	29 2	3219-2	Nut - Hex.	20	6 1
323-8	Screw - Cap Hex. Hd.	31	26 1	3219-6	Nut - Hex.	13	32 4
323-9	Screw - Cap Hex. Hd.	8	3 2	3220-2	Nut - Jam	32	21 1
323-9	Screw - Cap Hex. Hd.	24	3 2	3220-2	Nut - Jam, R.H.	10	21 1
323-10	Screw - Cap Hex. Hd.	8	27 2	3220-3	Nut - Jam	7	13 1
323-10	Screw - Cap Hex. Hd.	18	43 4	3220-3	Nut - Jam	27	43 8
323-10	Screw - Cap Hex. Hd.	81	24 1	3220-5	Nut - Jam	83	23 2
323-11	Screw - Cap Hex. Hd.	8	41 3	3220-5	Nut - Jam R.H.	27	33 2
323-11	Screw - Cap Hex. Hd.	81	18 4	3220-6	Nut	6	27 1
323-18	Screw - Cap Hex. Hd.	8	14 1	3220-6	Nut - Hex.	5	5 1
323-19	Screw - Cap Hex. Hd.	78	47 2	3220-12	Nut - Jam L.H.	27	31 2
323-29	Screw - Cap Hex. Hd.	7	15 1	3220-12	Nut - Jam, L.H. Thd.	83	25 2
323-34	Screw - Cap Hex. Hd.	32	43 1	3230-1	Bolt - Carriage	52	5 1
323-39	Screw - Cap Hex. Hd.	17	28 3	3230-1	Bolt - Carriage	75	25 4
323-39	Screw - Cap Hex. Hd.	20	14 2	3230-1	Bolt - Carriage	76	43 2
324-5	Screw - Cap Hex. Hd.	13	27 4	3230-2	Bolt - Carriage	9	67 2
324-23	Screw - Cap Hex. Hd.	14	14 4	3230-2	Bolt - Carriage	31	13 1
324-23	Screw - Cap Hex. Hd.	18	35 2	3230-2	Bolt - Carriage	63	4 1
325-5	Screw - Cap Hex. Hd.	27	6 2	3230-2	Bolt - Carriage	70	1 1
325-5	Screw - Cap Hex. Hd.	82	14 2	3230-2	Bolt - Carriage	83	10 9
325-5	Screw - Cap Hex. Hd.	91	8 4	3230-2	Carriage - Bolt	20	12 2
325-6	Screw - Cap Hex. Hd.	82	18 2	3230-4	Bolt - Carriage	32	35 2
325-6	Screw - Cap Hex. Hd.	89	5 1	3230-20	Bolt - Carriage	51	3 5
325-6	Screw - Cap Hex. Hd.	90	6 6	3230-23	Bolt - Carriage	1	28 4
325-7	Screw - Cap Hex. Hd.	91	4 2	3230-23	Bolt - Carriage	31	9 2
325-8	Screw - Cap Hex. Hd.	65	1 2	3230-23	Bolt - Carriage	48	46 4
325-8	Screw - Cap Hex. Hd.	72	1 2	3231-22	Bolt - Carriage	53	21 18
325-14	Screw - Cap Hex. Hd.	72	6 4	3231-22	Bolt - Carriage	54	20 4
325-14	Screw - Cap Hex. Hd.	92	3 8	3231-22	Bolt - Carriage	66	46 20
325-17	Screw - Cap Hex. Hd.	60	13 2	3231-22	Bolt - Carriage	78	37 2
325-17	Screw - Cap Hex. Hd.	68	13 2	3231-22	Bolt - Carriage	48	29 18
325-19	Screw - Cap Hex. Hd.	50	14 2	3231-22	Bolt - Carriage, Short Neck	58	43 20
325-19	Screw - Cap Hex. Hd.	55	14 2	3231-26	Bolt - Carriage	49	26 4
325-19	Screw - Cap Hex. Hd.	61	18 2	3231-26	Bolt - Carriage	54	27 4
325-19	Screw - Cap Hex. Hd.	69	17 2	3231-26	Bolt - Carriage	59	66 4
325-32	Screw - Cap Hex. Hd.	50	4 6	3231-26	Bolt - Carriage	66	25 4

*Not Illustrated

PART NUMBER INDEX (Continued)

Part No.	Description	Pg. Ref. No. No. Qty.	Part No.	Description	Pg. Ref. No. No. Qty.
3231-27	Bolt - Carriage	49 20 4	3253-27	Washer - Lock	48 37 3
3231-27	Bolt - Carriage	59 65 4	3253-27	Washer - Lock	53 30 3
3231-27	Bolt - Carriage	60 11 4	3254-2	Washer - Lock, Int. Tooth	31 48 1
3231-27	Bolt - Carriage	66 30 4	3254-9	Washer - Lock I.T.L.W.	20 10 2
3231-27	Bolt - Carriage	68 11 4	3255-8	Washer - Lock	1 12 4
3231-27	Bolt - Carriage	78 32 4	3255-8	Washer - Lock	14 3 8
3233-2	Bolt - Carriage	89 11 10	3255-8	Washer - Lock, Ext. Tooth	8 46 1
3233-14	Bolt - Carriage	83 14 2	3255-8	Washer - Lock, Ext. Tooth	21 39 1
3234-5	Screw - Flange Hd.	12 8 8	3255-17	Washer - Lock	75 16 2
3234-11	Screw - Flange	75 26 2	3255-17	Washer - Lock	77 12 2
3234-11	Screw - Flange Hd.	77 17 2	3256-1	Washer - Flat	3 21 4
3234-11	Screw - Hex. Flange Hd.	57 6 2	3256-2	Washer - Flat	25 9 8
3234-11	Screw - Hex. Flange Hd.	64 6 4	3256-3	Washer - Flat	81 17 8
3234-11	Screw - Hex. Flange Hd.	71 6 4	3256-4	Washer - Flat	76 48 1
3234-13	Screw - Flange Hd.	1 24 8	3256-6	Washer - Flat	55 16 4
3234-13	Screw - Flange Hd.	9 74 1	3256-6	Washer - Flat	61 20 4
3234-13	Screw - Flange Hd.	27 12 2	3256-6	Washer - Flat	69 19 4
3234-13	Screw - Flange Hd.	13 22 2	3256-6	Washer - Thrust	50 16 4
3234-14	Screw - Cap Hex. Flange	24 5 6	3256-13	Washer - Flat	12 29 7
3234-14	Screw - Flange	75 6 4	3256-13	Washer - Flat	76 46 3
3234-14	Screw - Flange Hd.	1 21 8	3256-14	Washer - Flat	81 3 5
3234-14	Screw - Flange Hd.	77 3 4	3256-22	Washer - Flat	5 35 3
3234-17	Screw - Flange Hd.	12 4 2	3256-22	Washer - Flat	10 7 2
3234-17	Screw - Flange Hd.	21 15 2	3256-22	Washer - Flat	12 15 4
3234-19	Screw - Flange Hd.	61 35 6	3256-22	Washer - Flat	21 18 9
3234-19	Screw - Flange Hd.	69 35 6	3256-22	Washer - Flat	27 51 1
3234-25	Screw - Flange	27 1 4	3256-22	Washer - Flat	78 21 1
3235-22	Screw - Cap Hex. Hd.	75 36 1	3256-22	Washer - Flat	85 28 2
3235-22	Screw - Cap Hex. Hd.	77 28 1	3256-23	Washer - Flat	5 1 4
3241-6	Screw - Set	17 13 2	3256-23	Washer - Flat	5 42 2
3245-9	Screw - Set Socket Hd.	54 26 2	3256-23	Washer - Flat	10 1 1
3245-9	Screw - Set, Socket Hd.	49 25 1	3256-23	Washer - Flat	20 19 2
3245-9	Screw - Set, Socket Hd.	59 61 2	3256-23	Washer - Flat	31 20 1
3245-9	Screw - Set, Socket Hd.	67 63 2	3256-23	Washer - Flat	32 19 4
3246-1	Screw - Set	8 21 1	3256-23	Washer - Flat	76 14 2
3249-11	Screw - Round Hd.	20 8 2	3256-23	Washer - Flat	78 2 2
3250-39	Screw - Pan Head	32 18 2	3256-24	Washer - Flat	7 16 1
3253-3	Washer - Lock	8 10 4	3256-24	Washer - Flat	8 4 4
3253-3	Washer - Lock	10 8 2	3256-24	Washer - Flat	17 44 1
3253-3	Washer - Lock	13 15 5	3256-24	Washer - Flat	21 7 1
3253-3	Washer - Lock	21 13 2	3256-24	Washer - Flat	28 56 2
3253-3	Washer - Lock	31 36 5	3256-24	Washer - Flat	31 27 1
3253-3	Washer - Lock	75 37 4	3256-24	Washer - Flat	32 22 2
3253-3	Washer - Lock	77 29 4	3256-24	Washer - Flat	48 9 18
3253-4	Washer - Lock	9 76 4	3256-24	Washer - Flat	53 24 18
3253-4	Washer - Lock	23 8 8	3256-24	Washer - Flat	57 12 2
3253-4	Washer - Lock	25 10 4	3256-24	Washer - Flat	58 49
3253-4	Washer - Lock	32 49 1	3256-24	Washer - Flat	64 12 4
3253-4	Washer - Lock	50 25 8	3256-24	Washer - Flat	67 52 A/R
3253-4	Washer - Lock	61 29 8	3256-24	Washer - Flat	71 12 4
3253-4	Washer - Lock	69 28 8	3256-25	Washer - Flat	13 26 4
3253-4	Washer - Lock	85 18 1	3256-26	Washer - Flat	5 14 1
3253-4	Washer - Lock	55 25 8	3256-26	Washer - Flat	10 2 2
3253-5	Washer - Lock	82 29 2	3256-26	Washer - Flat	17 2 1
3253-7	Washer - Lock	72 2 6	3256-26	Washer - Flat	23 7 2
3253-7	Washer - Lock	89 10 10	3256-26	Washer - Flat	72 7 8
3253-7	Washer - Lock	90 7 6	3256-26	Washer - Flat	82 35 2
3253-7	Washer - Lock	92 2 8	3256-26	Washer - Flat	83 20 2
3253-7	Washer - Lock	65 2 2	3256-27	Washer - Flat	21 45 1
3253-8	Washer - Lock	13 13 4	3256-27	Washer - Flat	48 12 1
3253-15	Washer - Lock	13 5 5	3256-27	Washer - Flat	53 3 1
3253-21	Washer - Flat	49 15 4	3256-27	Washer - Flat	58 11 1
3253-21	Washer - Lock	8 15 3	3256-27	Washer - Flat	66 11 1
3253-21	Washer - Lock	17 31 4	3256-28	Washer - Flat	27 22 2
3253-21	Washer - Lock	20 13 2	3256-38	Washer - Flat	78 10 1
3253-21	Washer - Lock	52 2 8	3256-56	Washer - Flat	76 6 3
3253-21	Washer - Lock	54 15 4	3256-56	Washer - Flat	81 32 2
3253-21	Washer - Lock	58 25 4	3256-57	Washer - Fender	81 33 4
3253-21	Washer - Lock	63 2 10	3256-67	Washer - Flat	13 14 3
3253-21	Washer - Lock	66 33 4	3256-69	Washer - Flat	22 77 1
3253-21	Washer - Lock	70 3 10	3256-70	Washer - Flat	21 3 6
3253-21	Washer - Lock	76 38 4	3256-71	Washer - Flat	17 21 2
3253-21	Washer - Lock	79 2 4	3257-5	Key - Woodruff	8 19 1

*Not Illustrated

PART NUMBER INDEX (Continued)

Part No.	Description	Pg. Ref. No. No. Qty.	Part No.	Description	Pg. Ref. No. No. Qty.
3257-5	Key - Woodruff	18 11 2	3290-357	Nut - Lock, Flange	63 6 6
3257-5	Key - Woodruff	49 18 1	3290-359	Screw - Machine	1 9 4
3257-5	Key - Woodruff	54 18 1	3290-378	Tie - Cable	9 75 1
3257-5	Key - Woodruff	58 21 1	3290-378	Tie - Cable	22 61 1
3257-5	Key - Woodruff	66 24 1	3290-384	Pin - Disconnect	82 16 1
3257-5	Key - Woodruff	17 11 1	3290-384	Pin - Lynch	55 1 2
3257-40	Key - Hi Pro	75 13 1	3290-384	Pin - Lynch	61 6 2
3257-40	Key - Hi Pro	77 9 1	3290-384	Pin - Lynch	69 6 2
3258-19	Screw - Cap Hex. Hd.	21 30 2	3290-384	Pin - Lynch	50 1 2
3269-8	Rivet	12 31 7	3290-409	Rivet	75 2 8
3269-10	Washer	83 3 6	3290-409	Rivet	77 32 6
3272-4	Pin - Cotter	22 75 2	3290-409	Rivet - Pop	81 25 21
3272-4	Pin - Cotter	85 33 1	3290-412	Rivet - Pop	81 6 14
3272-5	Pin - Cotter	5 13 3	3290-451	Washer - Belleville	78 26 1
3272-5	Pin - Cotter	10 20 1	3290-467	Pin - Hair, Cotter	83 15 2
3272-6	Pin - Cotter	76 15 2	3290-468	Pin - Hair, Cotter	56 5 2
3272-10	Pin - Cotter	2 46 1	3296-2	Nut - Lock	3 19 1
3272-10	Pin - Cotter	5 18 5	3296-2	Nut - Lock	50 30 4
3272-10	Pin - Cotter	7 3 4	3296-2	Nut - Lock	55 30 4
3272-10	Pin - Cotter	17 4 1	3296-2	Nut - Lock	61 13 4
3272-11	Pin - Cotter	21 6 2	3296-2	Nut - Lock	69 12 4
3272-11	Pin - Cotter	53 36 1	3296-2	Nut - Lock	81 4 5
3272-11	Pin - Cotter	66 26 7	3296-5	Nut - Lock	48 5 3
3272-11	Pin - Cotter	78 42 3	3296-5	Nut - Lock	53 9 1
3272-11	Pin - Cotter	48 20 3	3296-5	Nut - Lock	58 13 2
3272-11	Pin - Cotter	58 28 5	3296-5	Nut - Lock	66 14 2
3272-13	Pin - Cotter	27 24 2	3296-6	Nut - Lock	33 9 3
3272-15	Pin - Cotter	8 7 1	3296-8	Nut - Lock	85 26 1
3272-17	Pin - Cotter	13 33 2	3296-9	Nut - Lock	32 15 2
3272-23	Pin - Cotter	10 29 4	3296-12	Nut - Hex.	2 49 4
3272-23	Pin - Cotter	90 3 4	3296-12	Nut - Lock	21 49 4
3272-31	Pin - Cotter	10 39 1	3296-20	Nut - Lock	5 2 4
3274-31	Screw - Button Head	81 10 4	3296-23	Nut - Lock	83 22 2
3274-32	Screw - Hex. Hd. Socket	1 13 4	3296-25	Nut - Lock	27 4 2
3274-68	Screw - Socket Button Hd.	3 2 4	3296-25	Nut - Lock	82 22 4
3290-55	Rivet	12 13 2	3296-25	Nut - Lock	91 5 2
3290-55	Rivet - Pop	76 47 3	3296-25	Nut - Lock	91 5 4
3290-126	Screw - Cap Hex. Hd.	21 2 4	3296-29	Nut - Hex.	25 17 4
3290-134	Screw - Cap Hex. Hd.	75 17 2	3296-29	Nut - Hex.	76 7 2
3290-134	Screw - Cap Hex. Hd.	77 13 2	3296-29	Nut - Lock	5 10 2
3290-134	Screw - Cap Hex. Hd.	78 46 2	3296-29	Nut - Lock	8 25 12
3290-134	Screw - Cap Hex. Hd.	83 8 10	3296-29	Nut - Lock	10 40 1
3290-134	Screw - Mach. Hex. Hd.	81 5 5	3296-29	Nut - Lock	20 20 3
3290-211	Washer - Spring	76 12 1	3296-29	Nut - Lock	31 12 3
3290-211	Washer - Spring	76 23 1	3296-29	Nut - Lock	32 9 2
3290-224	Washer - Lock	66 50 2	3296-29	Nut - Lock	75 11 8
3290-224	Washer - Pyramidal	58 47	3296-29	Nut - Lock	77 7 8
3290-243	Pin - Lynch	89 3 2	3296-29	Nut - Lock	78 23 9
3290-255	Pin - Hair, Cotter	21 11 1	3296-29	Nut - Lock	79 6 6
3290-271	Rivet	2 48 4	3296-29	Nut - Lock	82 24 4
3290-271	Rivet	77 34 4	3296-29	Nut - Lock	85 20 1
3290-321	Screw - Hex Slotted Hd.	68 9 12	3296-29	Nut - Lock	90 8 2
3290-321	Screw - Hex. Slotted Hd.	60 9 10	3296-33	Nut - Lock	53 4 1
3290-321	Screw - Mach. Hex. Hd.	54 21 6	3296-33	Nut - Lock	58 12 1
3290-321	Screw - Machine	49 21 6	3296-33	Nut - Lock	66 12 1
3290-321	Screw - Machine	76 28 4	3296-33	Nut - Lock	48 13 1
3290-355	Pin - Cotter, Hair	82 1 2	3296-39	Nut - Lock	7 11 1
3290-355	Pin - Hair	50 3 4	3296-39	Nut - Lock	8 24 7
3290-355	Pin - Hair Cotter	57 1 1	3296-39	Nut - Lock	17 39 2
3290-355	Pin - Hair Cotter	64 1 2	3296-39	Nut - Lock	23 12 2
3290-355	Pin - Hair Cotter	71 1 2	3296-39	Nut - Lock	31 22 2
3290-355	Pin - Hair, Cotter	55 3 4	3296-39	Nut - Lock	78 28 3
3290-355	Pin - Hair, Cotter	61 16 4	3296-42	Nut - Lock	5 25 1
3290-355	Pin - Hair, Cotter	69 15 4	3296-42	Nut - Lock	10 34 2
3290-357	Nut - Flange	48 11 2	3296-42	Nut - Lock	12 11 4
3290-357	Nut - Flange	49 3 4	3296-42	Nut - Lock	20 1 4
3290-357	Nut - Flange	54 3 4	3296-42	Nut - Lock	21 4 4
3290-357	Nut - Flange	68 14 4	3296-42	Nut - Lock	27 5 1
3290-357	Nut - Flange	70 7 6	3296-42	Nut - Lock	32 11 2
3290-357	Nut - Flange	78 31 4	3296-42	Nut - Lock	75 28 9
3290-357	Nut - Lock	58 7 12	3296-42	Nut - Lock	77 19 9
3290-357	Nut - Lock	60 14 4	3296-42	Nut - Lock	78 30 3
3290-357	Nut - Lock	66 7 14	3296-42	Nut - Lock	79 13 6

*Not Illustrated

PART NUMBER INDEX (Continued)

Part No.	Description	Pg. No.	Ref. No.	Qty.	Part No.	Description	Pg. No.	Ref. No.	Qty.
3296-44	Nut - Hex.	76	18	1	32128-40	Nut - Flange	50	34	6
3296-44	Nut - Lock	57	3	2	32128-40	Nut - Flange	55	34	6
3296-44	Nut - Lock	64	3	4	32128-40	Nut - Flange	61	34	6
3296-44	Nut - Lock	71	3	4	32128-40	Nut - Flange	69	34	6
3296-44	Nut - Lock	75	27	2	32128-43	Nut - Lock	76	34	2
3296-44	Nut - Lock	77	18	2	32128-43	Nut - Lock	78	43	2
3296-47	Nut - Lock	51	1	5	32128-45	Nut - Flange Lock	27	49	1
3296-48	Nut - Lock	13	17	4	32128-49	Nut - Flange	7	12	2
3296-51	Nut - Lock	10	24	2	32136-5	Nut - Castle	27	23	2
3296-51	Nut - Lock	27	29	1	32144-1	Screw - Hex. Hd.	3	20	2
3296-59	Nut - Lock	32	23	1	32144-21	Screw - Pan Hd. Phillips	5	41	1
3296-59	Nut - Lock	78	11	1	32146-18	Nut	78	35	2
3296-357	Nut - Flange	53	2	2	32146-20	Nut - Hex. Jam	66	38	3
32103-2	Nut - Wing	91	2	2	32146-20	Nut - Hex. Lock, Jam	53	16	3
32105-1	Screw	3	17	1	32146-20	Nut - Jam	58	34	3
32105-8	Screw	31	45	2	32146-20	Nut - Lock	48	24	3
32105-12	Screw - Cap Hex. Hd.	83	33	8	32149-1	Nut - Lock	32	31	2
32107-11	Nut - Square	21	28	2	32149-1	Nut - Lock	9	65	2
32112-1	Retainer - Cap	84	1	2	32149-7	Nut - Keps	31	46	2
32120-10	Ring - Retaining	31	4	1	32151-36	Ring - Retaining	27	15	2
32120-72	Ring - Retaining	17	37	1	32151-46	Ring - Retaining	18	1	2
32121-5	Pin - Roll	85	35	1	32151-48	Ring - Retaining	82	32	2
32121-6	Pin - Roll	7	7	1	32151-77	Ring - Retaining	28	53	1
32121-6	Pin - Roll	21	46	1	32151-79	Ring - Retaining	85	14	1
32121-8	Pin - Roll	76	33	1	32151-83	Ring - Retaining	85	10	1
32121-8	Pin - Roll	78	50	1	32151-83	Snap Ring	32	47	2
32121-32	Pin - Roll	32	39	1	32152-1	Nut - Lock	75	20	6
32121-34	Pin - Roll	8	33	1	32152-1	Nut - Lock	76	4	10
32121-50	Pin - Roll	5	24	1	32152-1	Nut - Lock	81	22	6
32121-91	Pin	18	14	3	32152-2	Nut	82	25	2
32122-24	Screw - Machine	13	4	5	32152-2	Nut - Lock	81	16	12
32122-28	Screw - Mach. Truss Hd.	50	32	4	32152-4	Nut - Lock	76	9	5
32122-28	Screw - Mach. Truss Hd.	55	32	4	32152-5	Nut - Lock	17	14	6
32122-28	Screw - Mach. Truss Hd.	61	12	4	32153-2	Nut	49	12	4
32122-28	Screw - Mach. Truss Hd.	69	11	4	32153-2	Nut	54	13	4
32128-4	Nut - Flange	1	6	11	32153-2	Nut - Flange	58	16	4
32128-7	Nut - Flange	49	24	6	32153-2	Nut - Lock	66	17	4
32128-17	Nut - Flange	54	24	4	32153-4	Nut - Lock	76	31	2
32128-17	Nut - Flange	60	7	10	32153-5	Nut - Lock	50	26	2
32128-17	Nut - Flange	76	30	4	32153-5	Nut - Lock	55	26	2
32128-17	Nut - Flange	83	6	18	32153-5	Nut - Lock	60	4	2
32128-17	Nut - Lock	68	7	12	32153-5	Nut - Lock	61	30	2
32128-19	Nut - Lock, Flange	24	2	2	32153-5	Nut - Lock	68	4	2
32128-20	Nut - Flange	1	25	4	32153-5	Nut - Lock	69	27	2
32128-20	Nut - Flange	9	72	5	32153-6	Nut - Hex Lock	27	38	1
32128-20	Nut - Flange	21	26	9	340-2	Fitting - Straight	10	10	1
32128-20	Nut - Flange	31	8	3	340-70	Nut - Fitting	10	35	1
32128-20	Nut - Flange	49	5	2	340-71	Fitting - Bulkhead	10	36	1
32128-20	Nut - Flange	62	1	6	340-77	Fitting	85	23	2
32128-20	Nut - Flange	70	6	1	340-77	Fitting - 90° Elbow	10	*	1
32128-20	Nut - Flange	78	19	2	340-77	Fitting - 90° Elbow	10	17	2
32128-20	Nut - Flange	83	5	9	340-86	Fitting - Tee	10	26	1
32128-20	Nut - Flange	54	5	2	340-92	Fitting	85	6	4
32128-20	Nut - Lock	12	3	6	340-92	Fitting - Straight	27	46	1
32128-20	Nut - Lock	13	10	1	340-103	Fitting - 45° Elbow	27	44	1
32128-20	Nut - Lock	48	3		353-781	Fitting 90°	8	11	1
32128-20	Nut - Lock	84	9	1	353-783	Fitting - Straight	8	44	1
32128-21	Nut - Flange	48	33	18	353-979	Hose Barb	17	8	1
32128-21	Nut - Flange	53	26	18	353-984	Plug - Dust	85	21	1
32128-21	Nut - Flange	59	54	18	353-985	Cap - Dust	85	13	1
32128-21	Nut - Flange	67	53	18	354-18	Fitting - Straight	15	30	1
32128-23	Nut - Flange	76	*	2	354-20	Block	12	32	1
32128-25	Nut - Lock, Flange	25	21	4	354-21	Fitting	12	34	1
32128-33	Nut - Flange Hd.	85	31	3	354-22	Fitting	12	33	2
32128-33	Nut - Hex. Flange	22	76	2	354-71	Pipe Nipple	15	43	1

*Not Illustrated

PRODUCT CHANGES

In an effort to make improvements available to TORO owners as quickly as possible, minor changes are incorporated into Toro's products from time to time that do not become immediately shown in the Parts Catalog. If such a change has been made in your unit, which is not reflected in your manual, see your TORO Distributor or his Authorized TORO Service Dealer for information and part numbers.

IDENTIFICATION AND ORDERING

MODEL AND SERIAL NUMBERS

The Groundsmaster 223D has two identification numbers: a model number and a serial number. The two numbers are stamped on a plate which is located on the main frame under the seat. In any correspondence concerning the Groundsmaster 223D, supply model and serial numbers to assure that correct information and replacement parts are obtained.

To order replacement parts from an Authorized TORO Service Dealer, supply the following information:

1. Model and serial number of the Groundsmaster 223D.
2. Part number, description, and the quantity of part(s) desired.

NOTE: Do not order by reference number if a parts catalog is being used; use the PART NUMBER.

TABLE OF CONTENTS

Description	Page	Description	Page
Body Assembly	1-2	Starter Assembly	46
Control Panel Assembly	3	Alternator Assembly	47
Electrical Schematic	4	52" Cutting Unit Model No. 30555	48-50
Power Steering & Brake Pedal Assembly	5	52" Baffle Kit Part No. 68-7210	51
Steering Valve Assembly No. 63-9250	6	52" Mulcher Kit Model No. 30700 (Optional) (For Cutting Unit Model 30555)	52
Traction Pedal Assembly	7	52" Cutting Unit Model No. 30568	53-55
Power Take Off, Battery & Engine Mount	8-9	Tractor Shield Kit Model No. 30567 (Optional)	56
Hydraulic Lift System Assembly	10	52" Counter Balance Kit Part No. 70-8090	57
Lift Valve Assembly No. 63-7960	11	62" Cutting Unit Model No. 30564	58-61
Radiator Assembly	12	62" Baffle Kit Part No. 82-8800	62
Fuel Tank and Axle Assembly	13	62" Mulcher Kit Model No. 30792 (Optional) (Used with Model 30564 Cutting Unit)	63
Differential Assembly	14-15	62" Counter Balance Kit Part No. 70-8100	64
Brake Assembly	16	Rear Weight	65
Transmission & Drive Coupling Assembly	17	72" Cutting Unit Model No. 30575	66-69
Transmission Assembly No. 49-7910	18	72" Mulcher Kit Model No. 30779	70
Hydraulic Schematic	19	72" Counter Balance Kit Part No. 70-7010	71
Transmission Interlock Assembly	20	Rear Weight Kit No. 24-5780	72
Seat Frame & Air Cleaner Assembly	21-22	Gear Box Assembly Part No. 68-9880	73
Standard Seat Kit Model No. 30769	23	Phenolic Wheel Assembly No. 27-1050 (Optional)	74
Armrest Kit Model No. 30707	24	52" Blower Kit Model No. 30502 (Opt.)	75-76
Deluxe Seat Kit Model No. 30772	25	62" Blower Kit Model No. 30503 (Opt.)	77-79
Manual Storage	26	Gear Box Assembly Part No. 53-4530	80
Rear Axle Assembly	27-28	9 Cu. Ft. Hopper Assembly Model No. 30504 (Optional)	81
Tire & Wheel Assembly 23 x 10.50 x 12 (Optional) No. 62-7020	29	15 Cu. Ft. Hopper Assembly Model No. 30505 (Optional)	82-88
Hydraulic Steering Cylinder No. 76-2070	30	V-Plow Model No. 30750 (Optional)	89
Engine Assembly	31	V-Plow Installation Kit Model No. 30749 (Optional)	90
Power Take-Off Assembly	32	Weight Box Kit No. 62-6590 (Optional)	91
Clutch Assembly No. 63-6050	33	Wheel Weight Kit Model No. 11-0440 (Optional)	92
Valves & Crankshaft Assembly	34-35	Part Number Index	93-107
Crankcase Assembly	36		
Camshaft Assembly	37		
Cylinder Head Assembly	38-39		
Water Pump Assembly	40		
Fuel Supply & Engine Block Assembly	41-42		
Fuel Injection Pump Assembly	43-44		
Governor Assembly	45		