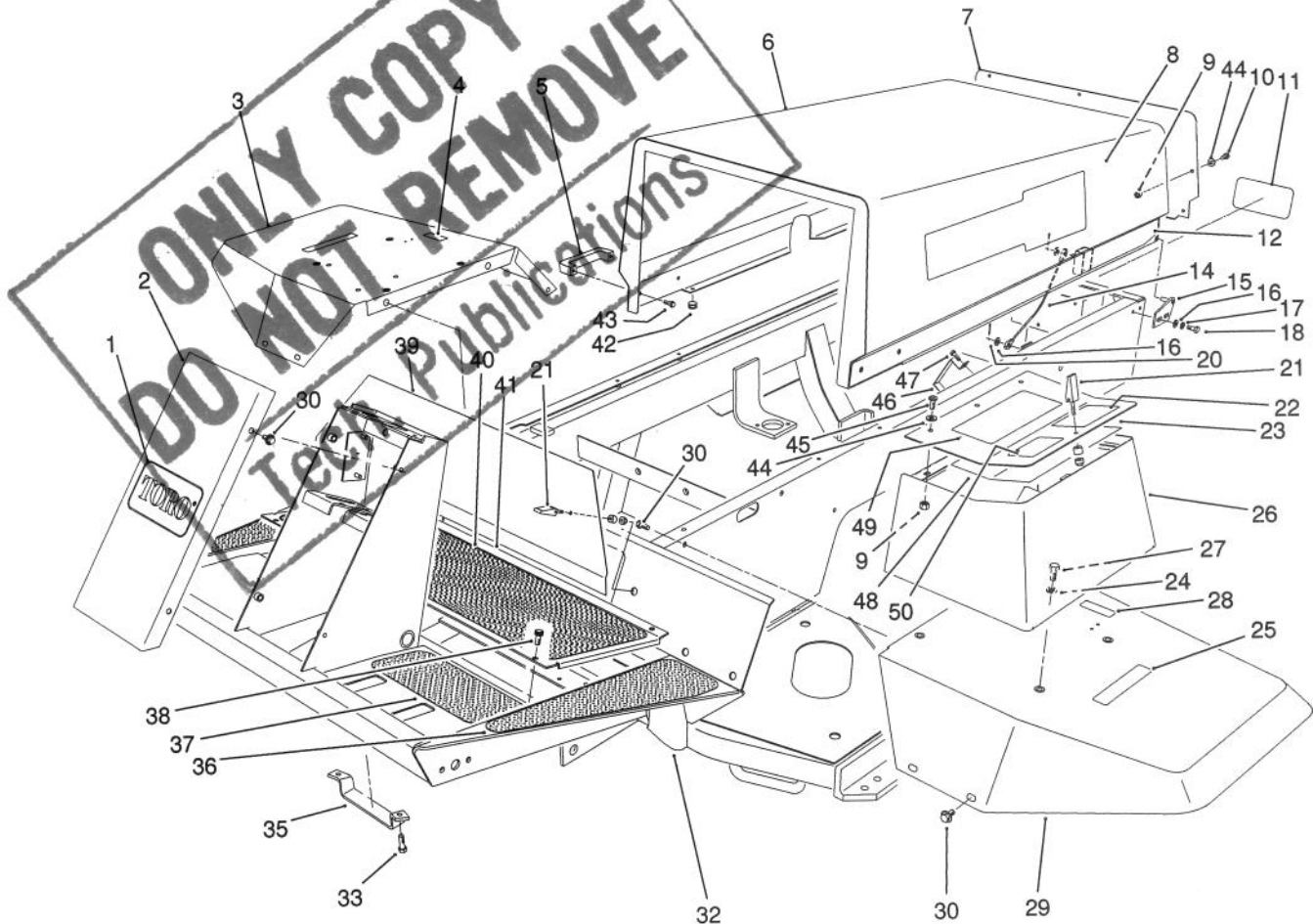


**TORO**<sup>®</sup>

MODEL NO. 03500-10710 &amp; UP

**PARTS  
CATALOG****REELMASTER<sup>®</sup> 223D**  
TRACTION UNIT WITH ACCESSORIES

T-1043

**FRAME & BODY ASSEMBLY**

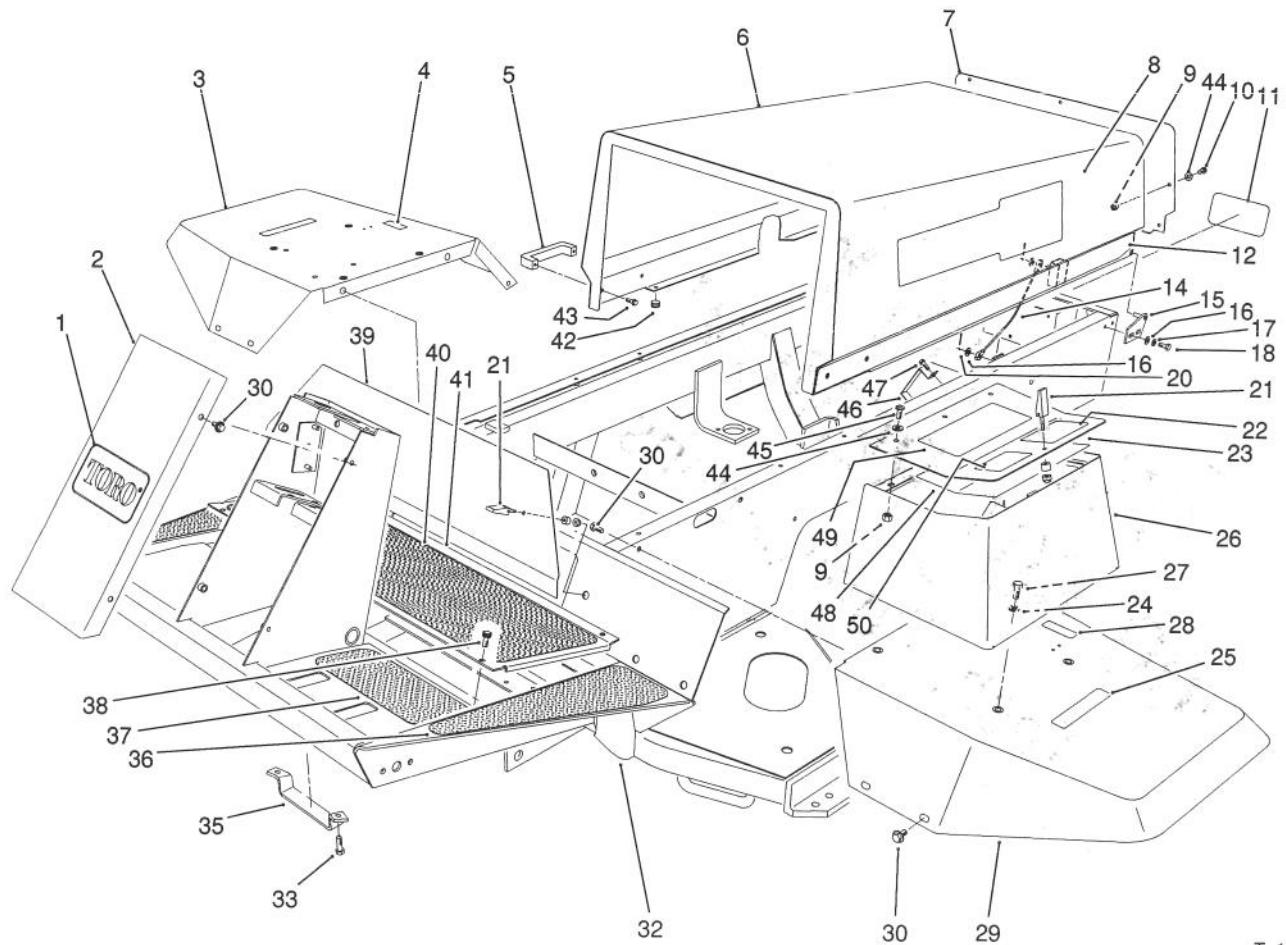
Ref. No.	Part No.	Description	No. Used	Ref. No.	Part No.	Description	No. Used
1	62-5550	Decal - TORO	1	16	3256-23	Washer - Flat	6
2	75-1420	Cover - Steering Tower	1	17	3253-4	Washer - Lock	14
3	75-3840	Fender - R.H.	1	18	322-5	Screw - Cap Hex. Hd.	4
‡4	75-0740	Decal - Hydraulic Oil (English)	1	20	3272-4	Pin - Cotter	2
5	65-5100	Handle	2	21	249-48	Swell Latch Assembly	3
6	75-0890	Hood	1	‡22	75-1280	Decal - Warning (English)	1
7	75-2820	Grill - Hood	1	23	75-6260	Cover - Tool Box	1
8	75-0660	Decal - Reelmaster <sup>®</sup> 223D	2	24	3256-3	Washer - Flat	4
9	3296-42	Nut - Lock	10	‡25	75-5190	Decal - No Riders (English)	2
10	321-39	Screw - Cap Hex. Hd.	7	26	75-5810	Box - Tool	1
11	62-7400	Decal - TORO	1	27	322-3	Screw - Cap Hex. Hd.	4
12	75-0670	Decal - Hood Trim L.H.	1	‡28	52-1320	Decal - Fuel (English)	1
*	75-0680	Decal - Hood Trim R.H.	1	29	75-3860	Fender - L.H.	1
14	75-0570	Cable - Hood	1	30	3234-14	Screw - Hex. Washer Hd.	14
15	63-6900	Hinge - Hood L.H.	1	32	75-2200	Frame Assembly	1
*	63-6890	Hinge - Hood R.H.	1	33	322-4	Screw - Cap Hex. Hd.	2
				35	75-2860	Bracket - Hose	1

‡For different language versions of this part, see International Decal Cross Reference.

\*Not Illustrated

© The TORO Company - 1991

TPS



T-1043

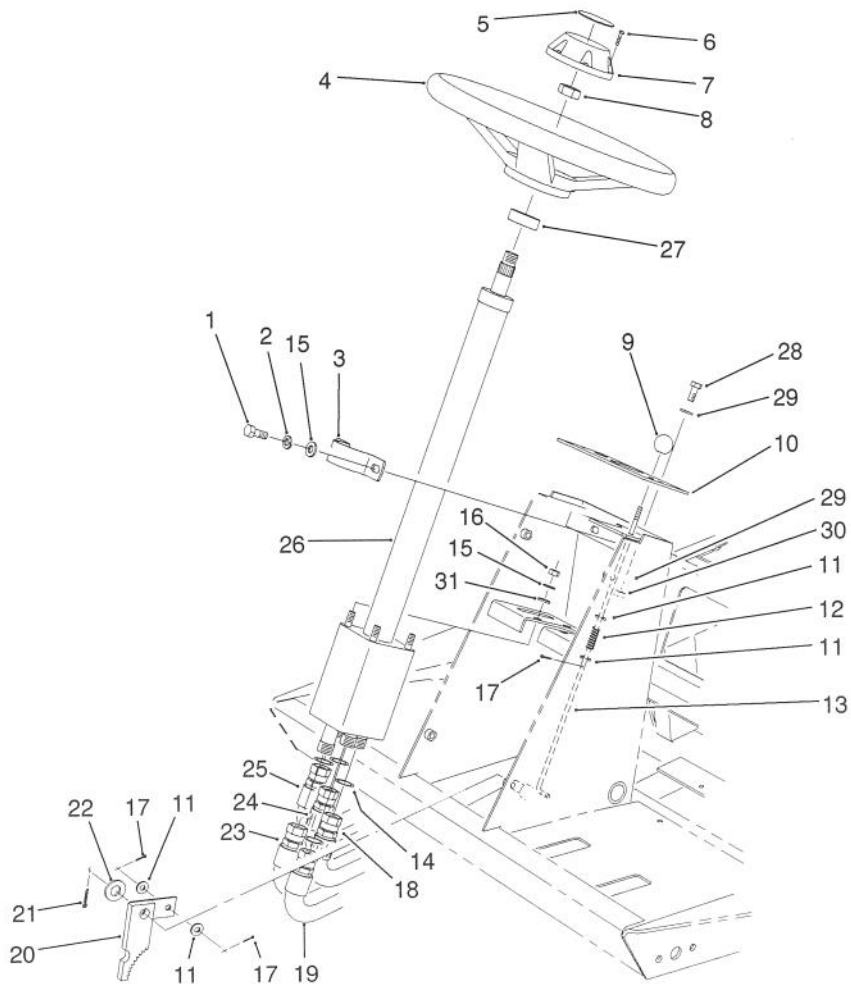
## FRAME & BODY ASSEMBLY (Continued)

Ref. No.	Part No.	Description	No. Used
36	75-0650	Tread - Footrest L.H.	1
*	75-0640	Tread - Footrest R.H.	1
37	75-0620	Tread - Foot L.H.	1
*	75-0610	Tread - Foot R.H.	1
38	75-6840	Knob - Knurled	4
39	75-1390	Panel - Access	1
40	75-0630	Tread - Foot Center	1
41	75-1410	Panel - Floor	1
42	237-141	Bumper	2

Ref. No.	Part No.	Description	No. Used
43	46-8091	Screw - Cap Hex. Hd.	4
44	3256-1	Washer - Flat	10
45	3258-166	Screw - Phillip Hd.	3
46	75-6280	Bracket - Hose	1
47	49-2040	Screw - Hex. Washer Hd.	2
‡48	75-0730	Decal - Instructions (English)	1
‡49	75-7540	Decal - Warning (English)	1
‡50	62-6280	Decal - Important (English)	1

\*Not Illustrated

‡For different language versions of this part, see International Decal Cross Reference.

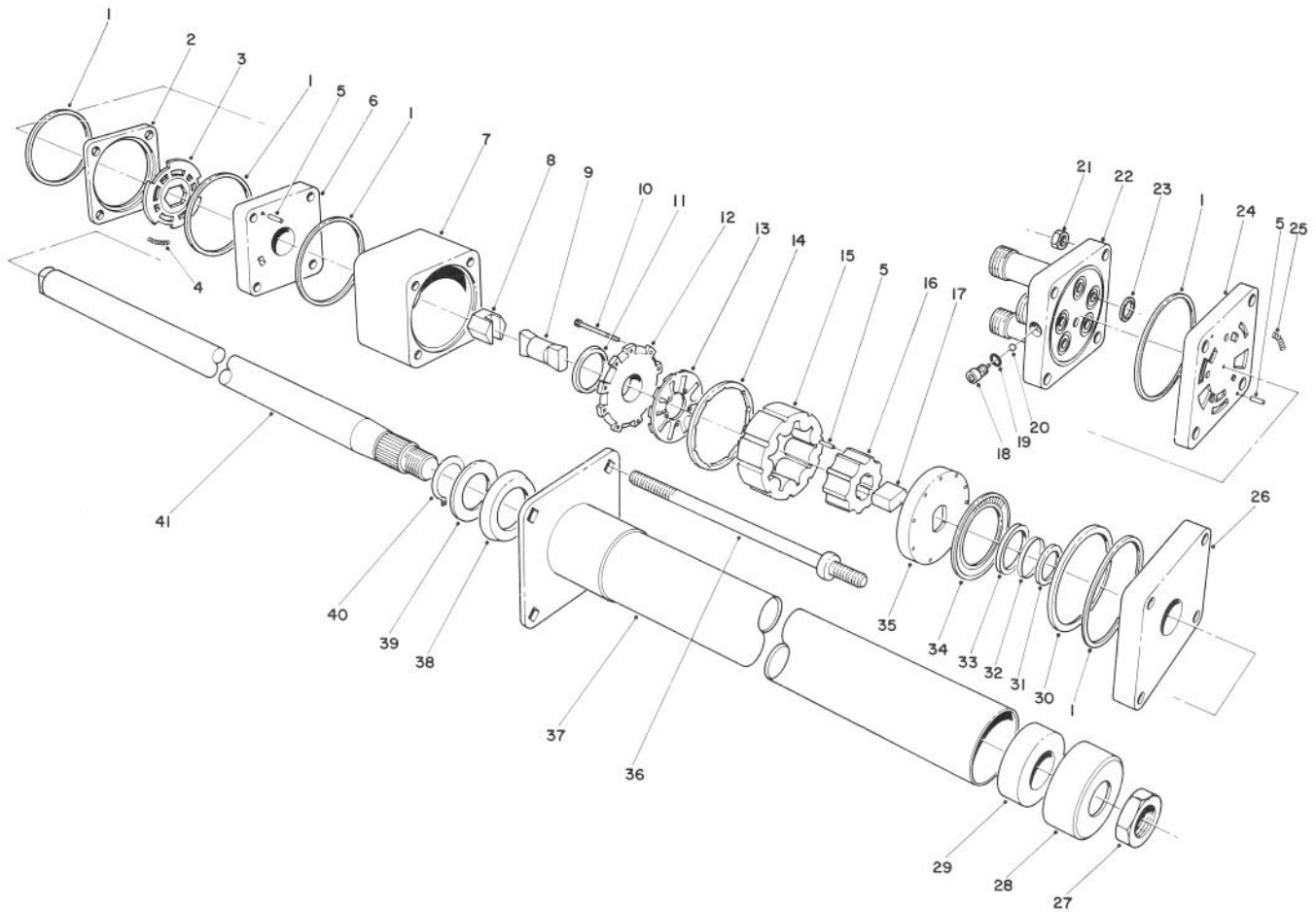


T-1044

## STEERING TOWER ASSEMBLY

Ref. No.	Part No.	Description	No. Used	Ref. No.	Part No.	Description	No. Used
1	322-3	Screw - Cap Hex. Hd.	2	18	75-6230	Hose - Hydraulic RT	1
2	3253-4	Washer - Lock	2	19	75-6240	Hose - Hydraulic IN	1
3	75-2810	Clamp - Steering Valve	1	20	63-7900	Rack - Parking Brake	1
4	75-0560	Wheel - Steering	1	21	3272-10	Pin - Cotter	1
5	68-5370	Decal - TORO	1	22	3256-26	Washer - Flat	1
6	32144-21	Screw	1	23	75-5940	Hose - Hydraulic AUX	1
7	68-5140	Cap - Steering Wheel	1	24	75-6220	Hose - Hydraulic LT	1
8	3220-6	Nut - Steering Wheel	1	25	75-6250	Hose - Hydraulic OUT	1
9	233-17	Knob - Parking Brake	1	26	75-0600	Steering Valve Assembly (Incl. Ref. #14)	1
10	75-0580	Panel - Tower	1	27	21-9260	Seal - Shaft	1
11	3256-22	Washer - Flat	4	28	3258-166	Screw - Phillip Hd.	2
12	3-3251	Spring - Compression	1	29	3256-1	Washer - Flat	2
13	75-1490	Rod - Parking Brake	1	30	3296-42	Nut - Lock	2
14	237-22	Seal - O-Ring	5	31	3256-23	Washer - Lock E.T.L.W.	1
15	3256-23	Washer - Flat	6	*	3290-378	Tie - Cable	3
16	3296-20	Nut - Lock	4				
17	3272-5	Pin - Cotter	3				

\*Not Illustrated



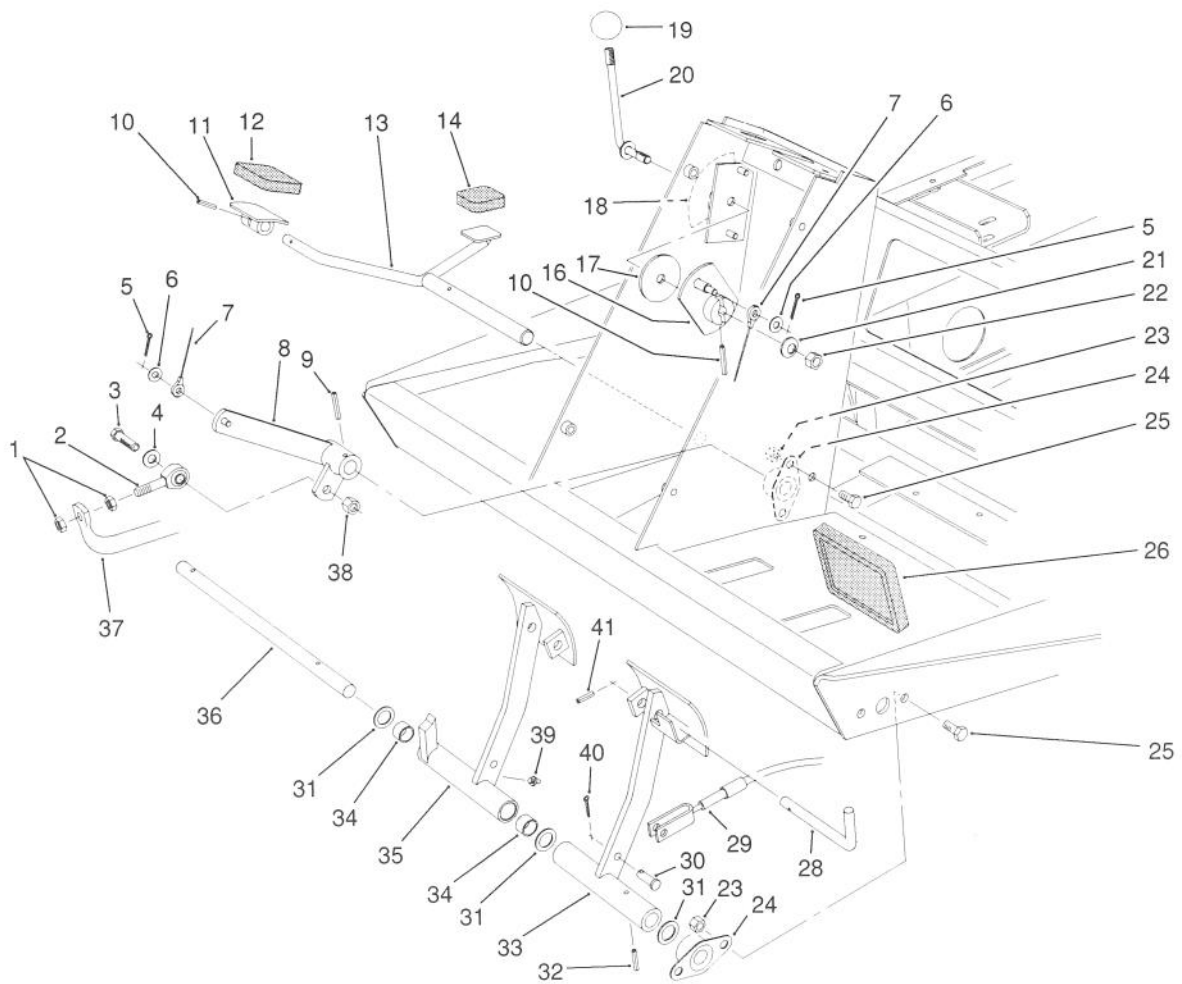
T-0417

## STEERING VALVE ASSEMBLY No. 75-0600

Ref. No.	Part No.	Description	No. Used
1		Ring-Seal	5
2		Ring-Valve	1
3		Plate-Valve	1
4		Spring	3
5		Pin-Alignment	9
6		Manifold-Isolation	1
7		Ring-Metering	1
8		Hex Drive Assy.	1
9		Link-Drive	1
10		Screw-Hex Socket Hd.	11
11		Seal-Commutator	1
12		Cover-Commutator	1
13		Commutator	1
14		Ring-Commutator	1
15		Stator	1
16		Rotor	1
17		Spacer-Drive Link	1
18		Plug	1
19		O-Ring	1
20		Ball	1
21		Nut-Hex	4
22		Cover-Port	1
23		O-Ring	5

Ref. No.	Part No.	Description	No. Used
24		Manifold-Port	1
25		Spring	3
26		Plate-Cover, Upper	1
27	3220-6	Nut	1
28	66-9770	Seal	1
29	66-9780	Bushing	1
30		Spacer-Bearing, Thrust	1
31		Spacer-Seal	1
32		Ring-Back Up	1
33		Seal-Face	1
34		Bearing-Thrust	1
35		Plate-Drive	1
36	66-9850	Bolt-Special	4
37	66-9860	Upper Cover & Jacket	1
38	66-9870	Plate-Retaining	1
39	66-9880	Washer-Retaining Plate	1
40	66-9890	Ring-Retaining	1
41	66-9900	Shaft-Input	1
*	66-9970	Spring Kit	1
*	66-9980	Seal-Kit	1
*	66-9990	Needle Roller Kit	1
*	75-0600	Valve-Power Steering (Incl. Ref. #1-26 & 30-36)	1

\*Not Illustrated



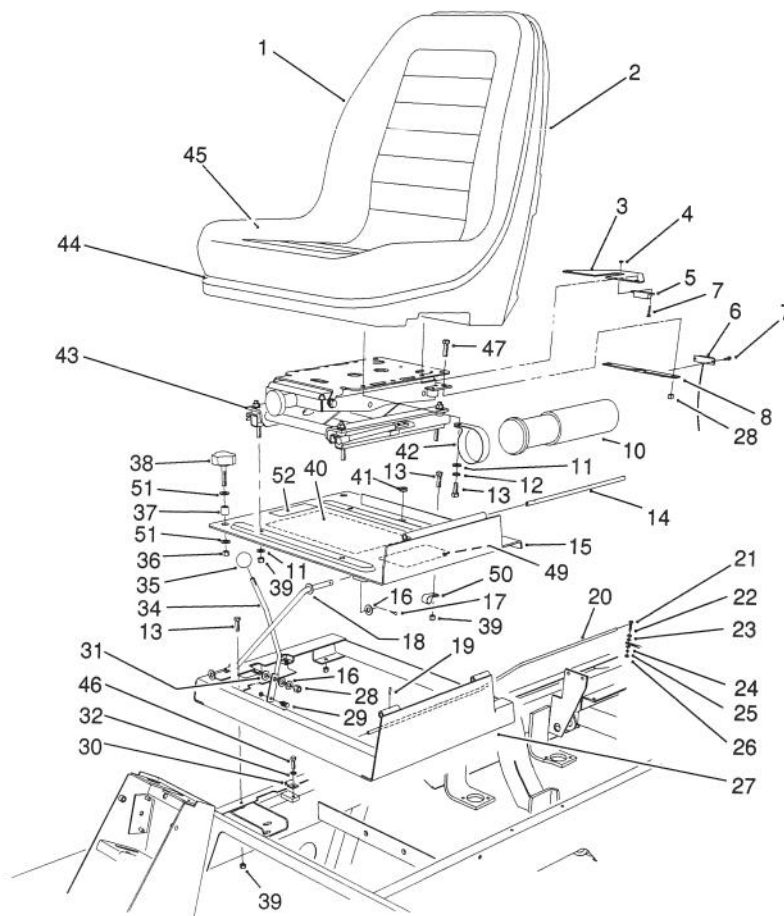
T-1045

## TRACTION & BRAKE PEDALS ASSEMBLY

Ref. No.	Part No.	Description	No. Used	Ref. No.	Part No.	Description	No. Used
1	3220-3	Nut - Jam	2	22	3296-59	Nut - Lock	1
2	2411-36	Bearing - Rod End	1	23	3296-29	Nut - Lock	8
3	323-8	Screw - Cap Hex. Hd.	1	24	256-236	Bearing - Flange	4
4	3256-24	Washer - Flat	1	25	322-3	Screw - Cap Hex. Hd.	8
5	3272-2	Pin - Cotter	2	26	7-3900	Pad - Brake	2
6	3256-22	Washer - Flat	2	28	63-7880	Pin - Brake Latch	1
7	75-6580	Cable - Pedal	1	29	63-7733	Cable - Brake L.H.	1
8	75-3270	Lever - Traction Pivot	1	*	63-7732	Cable - Brake R.H.	1
9	32121-6	Pin - Roll	1	30	283-58	Pin - Clevis	4
10	32121-45	Pin - Roll	2	31	3256-69	Washer - Thrust	3
11	49-6440	Plate - Traction Pedal	1	32	32121-16	Pin - Roll	1
12	74-9100	Pad - Forward	1	33	75-1440	Pedal - Brake L.H.	1
13	75-2970	Pedal - Traction	1	34	256-42	Bushing - Sleeve	2
14	74-9110	Pad - Reverse	1	35	75-1430	Brake Pedal Assembly R.H. (Incl. Ref. #34 & 39)	1
16	75-6510	Lever - Bracket	1	36	75-1470	Shaft - Brake Pedal	1
17	75-6550	Disc - Friction	1	37	75-2170	Tube - Pump Control	1
‡18	75-6710	Decal - Fast/Slow (English)	1	38	3296-39	Nut - Lock	1
19	233-42	Knob	1	39	302-5	Fitting - Grease	1
20	75-6490	Lever - Pedal Stop	1	40	3272-10	Pin - Cotter	4
21	3290-461	Washer - Belleville	1	41	32121-50	Pin - Roll	1

\*Not Illustrated

‡For different language versions of this part, see International Decal Cross Reference.

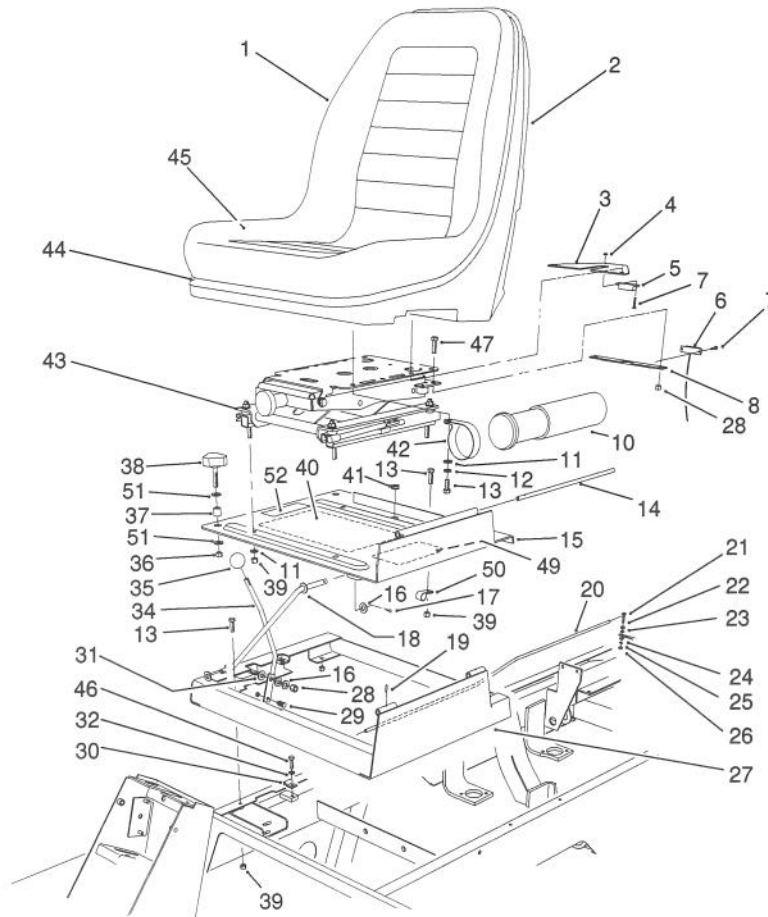


T-1046

## SEAT & THROTTLE ASSEMBLY

Ref. No.	Part No.	Description	No. Used
1	66-5400	Seat Assembly (Incl. Ref. #2 & 44-45)	1
2	67-9560	Shell - Seat	1
3	75-4370	Bracket - Switch (Seat)	1
4	3296-54	Nut - Lock	4
5	75-6330	Magnet - Switch	1
6	75-6320	Sensor - Switch	1
7	3250-29	Screw - Cap Hex. Hd.	4
8	75-4360	Bracket - Switch	1
10	74-0720	Tube - Manual	1
11	3256-2	Washer - Flat	8
12	3253-4	Washer - Lock	4
13	322-3	Screw - Cap Hex. Hd.	9
14	75-3400	Shaft - Seat Pivot	1
15	75-3880	Plate - Seat	1
16	3256-24	Washer - Flat	3
17	3272-11	Pin - Cotter	2
18	75-3680	Rod - Seat	1
19	32121-38	Pin - Roll	1
20	75-1350	Cable - Throttle	1
21	67-5110	Screw - Special	2
22	67-5100	Sleeve - Connector	2
23	67-5120	Washer - Spring	2

Ref. No.	Part No.	Description	No. Used
24	67-5130	Washer - Flat	2
25	67-5140	Washer - I.T.L.W.	2
26	67-5150	Nut - Hex.	2
27	75-3300	Frame - Seat	1
28	3296-39	Nut - Lock	3
29	63-6760	Throttle Cable Swivel Assy. (Incl. Ref. #21-26)	2
30	3-6657	Clamp - Cable	1
31	66-2920	Spacer - Throttle	2
32	3253-3	Washer - Lock	1
34	75-3430	Rod - Throttle	1
35	233-42	Knob - Throttle	1
36	3296-59	Nut - Lock	2
37	75-5270	Spacer - Locking Knob	2
38	75-5260	Knob - Locking	2
39	3296-29	Nut - Lock	9
40	75-0760	Decal - Solenoid Info.	1
41	237-141	Grommet	1
42	2412-133	Clamp - R	2
43		Seat Suspension Assembly	1
44	67-9570	Edging - Seat	1
45	67-9550	Kit - Seat Cushion	1
46	321-4	Screw - Cap Hex. Hd.	1

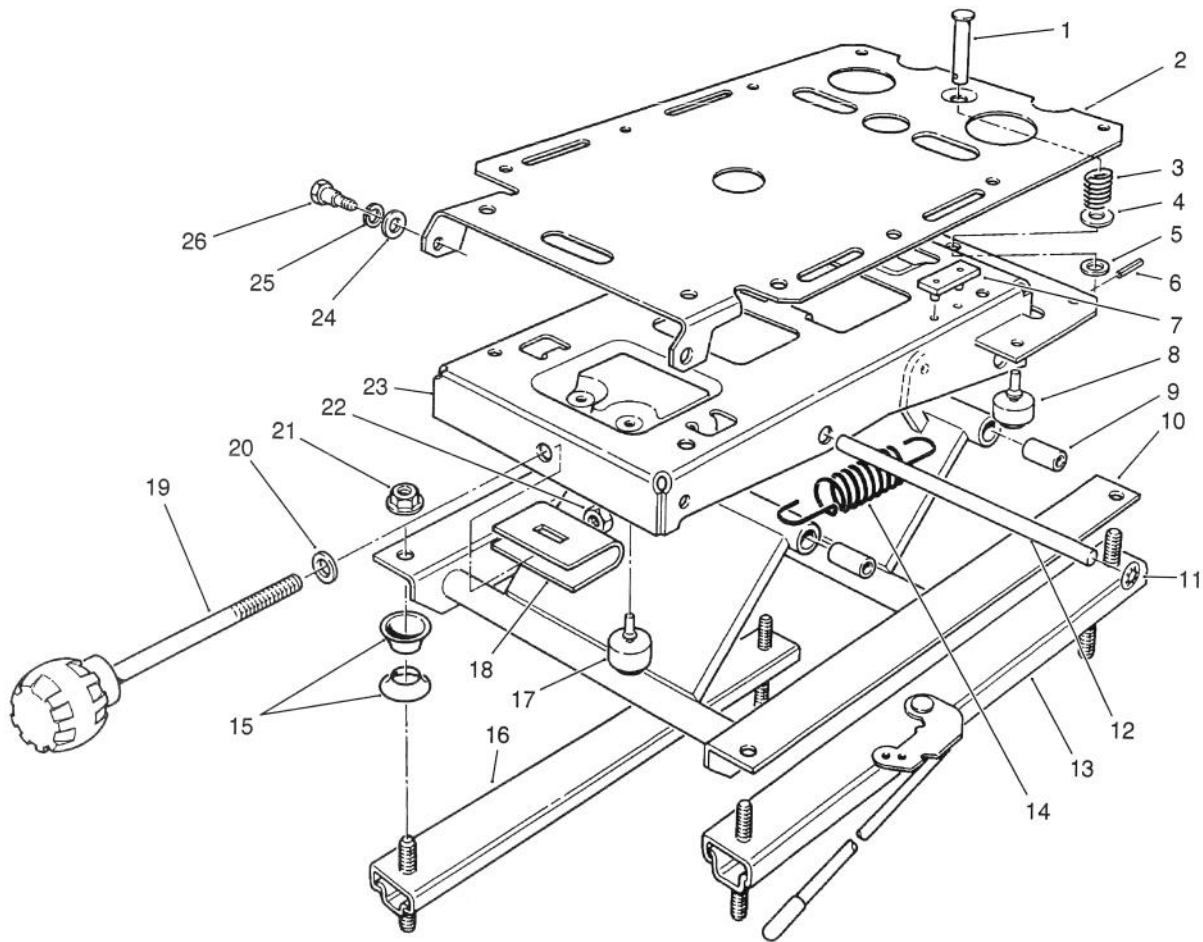


T-1046

## SEAT & THROTTLE ASSEMBLY (Continued)

Ref. No.	Part No.	Description	No. Used	Ref. No.	Part No.	Description	No. Used
47	323-4	Screw - Cap Hex. Hd.	2	51	52-2860	Washer - Flat	4
‡49	75-6830	Decal - Danger (English)	1	‡52	83-7440	Decal - Knob (English)	1
50	2412-93	Clamp - R	1				

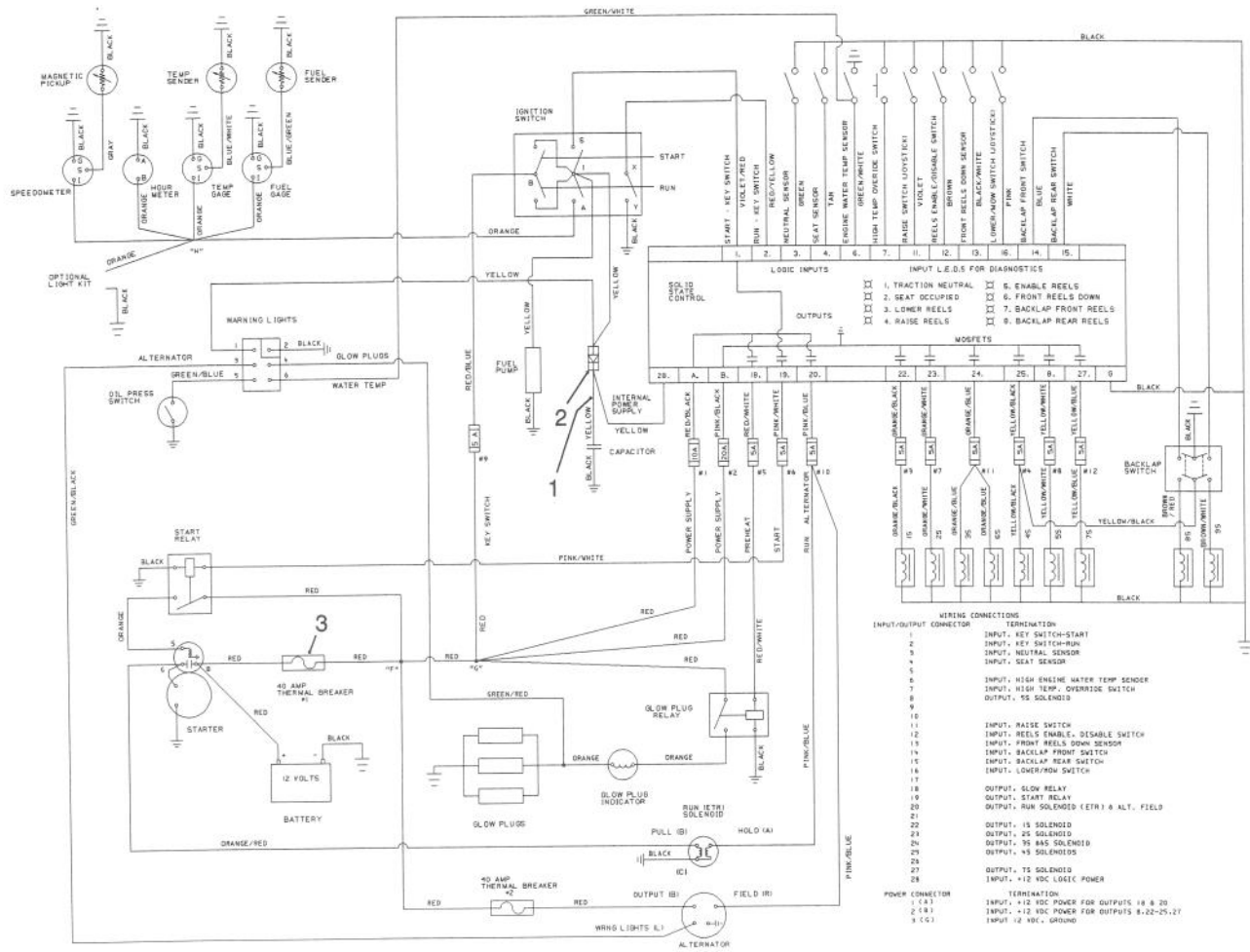
‡For different language versions of this part, see International Decal Cross Reference.



T-1031

## SEAT SUSPENSION ASSEMBLY

Ref. No.	Part No.	Description	No. Used	Ref. No.	Part No.	Description	No. Used
1	80-4860	Pin-Clevis	1	14	75-3490	Spring-Extension	2
2	75-3580	Plate-Mounting, Seat	1	15	66-9290	Spacer	6
3	75-3530	Spring-Compression	1	16	66-8530	Adjuster	1
4	3256-5	Washer - Flat	1	17	66-8520	Bumper-Downstop	2
5	3256-24	Washer	1	18	75-3500	Weldment-Hanger	1
6	75-3540	Pin-Roll	1	19	76-1930	Knob-Tension Adjustment	1
7	75-3550	Bumper-Seat	2	20	3256-46	Washer-Flat	1
8	76-2940	Bumper-Rubber	2	21	32128-26	Nut-Flange	4
9	76-1920	Bushing-Sleeve	4	22	3296-44	Nut-Lock	1
10	66-8610	Weldment-Lower	1	23	75-3480	Weldment-Upper	1
11	66-8560	Nut-Push	4	24	3256-26	Washer-Flat	2
12	76-1910	Shaft-Pivot	2	25	3253-6	Washer-Lock	2
13	82-9060	Adjuster W/Handle	1	26	75-3510	Bolt-Shoulder	2

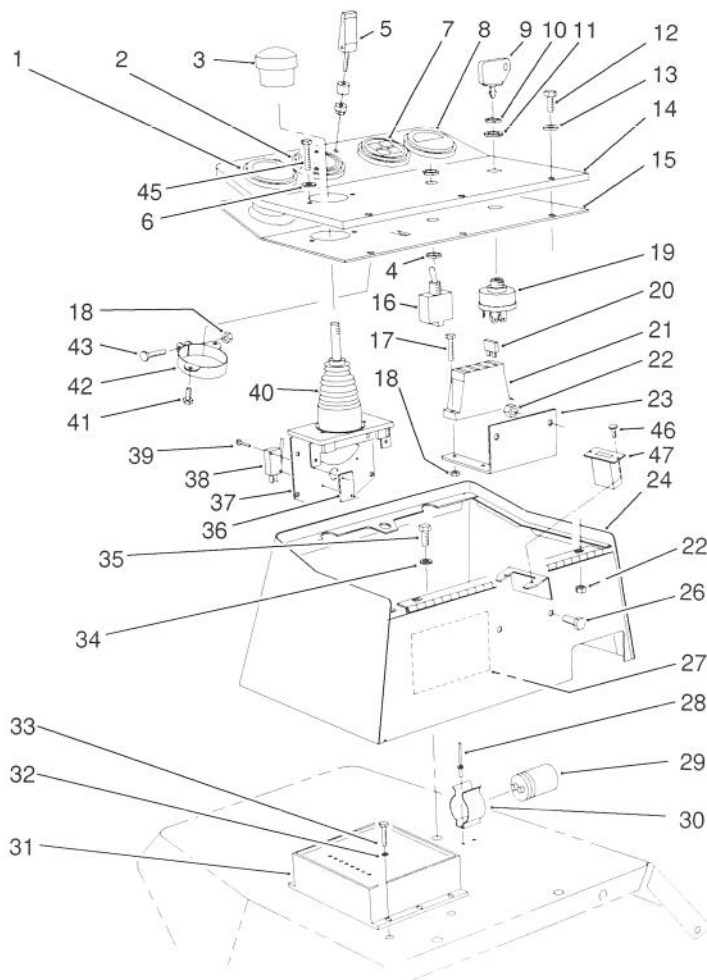


T-1143

# ELECTRICAL SCHEMATIC

Ref. No.	Part No.	Description	No. Used
1	84-1820	Harness - Wire Main (Incl. Ref. #2)	1

Ref. No.	Part No.	Description	No. Used
2	67-7130	Diode	1
3	70-8570	Breaker - Circuit	1



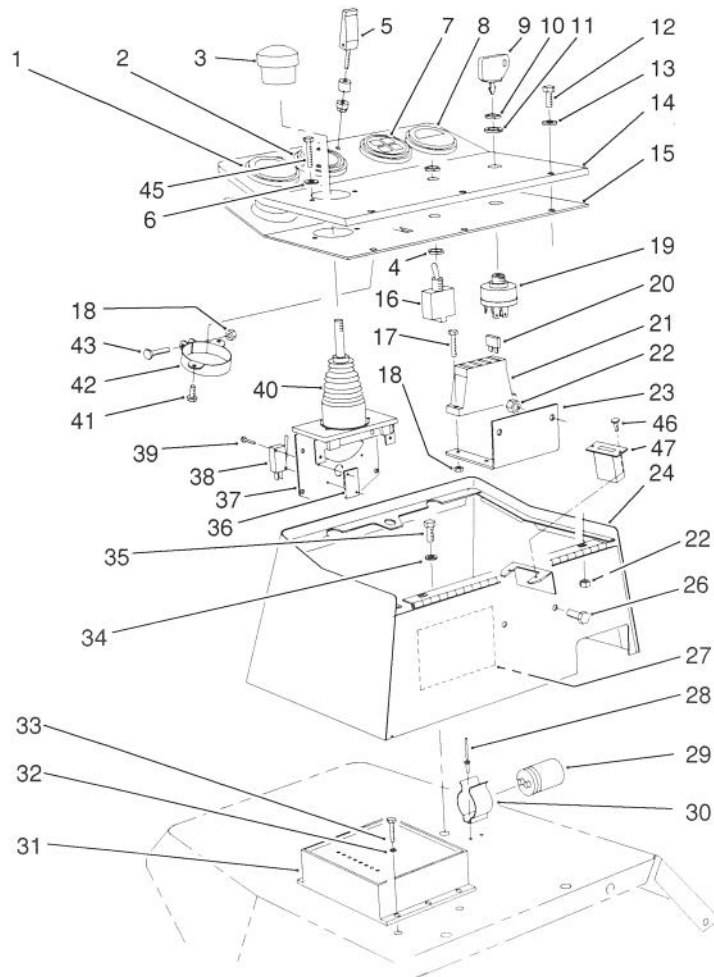
T-1047

## CONTROL CONSOLE ASSEMBLY

Ref. No.	Part No.	Description	No. Used	Ref. No.	Part No.	Description	No. Used
1	66-2940	Gauge - Fuel	1	20	218-573	Fuse - 5A	10
2	75-6620	Gauge - Speedometer	1	*	218-578	Fuse - 10A	1
3	3290-489	Knob - Lift Control	1	*	218-594	Fuse - 20A	1
4	218-498	Nut - Hex.	2	21	67-7160	Block - Fuse	3
5	249-48	Swell Latch Assembly	1	22	3296-42	Nut - Lock	7
6	3256-77	Washer - Flat	2	23	75-4380	Bracket - Fuse Block	1
7	66-2960	Cluster - Warning	1	24	75-5740	Box - Control	1
*	75-4710	Harness - Warning Light	1	26	321-39	Screw - Cap Hex. Hd.	2
*	219-17	Bulb - Light	4	‡27	75-0690	Decal - Instruction (English)	1
8	63-7430	Gauge - Temperature	1	28	3269-15	Rivet - Pop	2
9	63-8360	Key - Ignition	1	29	37-2690	Capacitor	1
10	218-446	Nut - Locking	1	30	74-2310	Clamp - Capacitor	1
11	218-447	Washer - E.T.L.W.	1	31	75-0530	Controller - Electronic	1
12	3258-166	Screw - Phillip Hd.	5	32	3253-3	Washer - Lock	3
13	3256-1	Washer - Flat	5	33	321-4	Screw - Cap Hex. Hd.	3
14	75-0590	Panel - Control	1	34	3256-3	Washer - Flat	4
15	75-6270	Cover - Control Box	1	35	322-3	Screw - Cap Hex. Hd.	4
16	75-1010	Toggle Switch Assembly (Incl. Ref. #4)	1	36	3290-354	Plate - Nut	2
17	32105-13	Screw - Cap Hex. Hd.	4	37	75-3420	Lift Control Assembly (Incl. Ref. #3 & 37-40)	1
18	3296-2	Nut - Lock	5	38	218-590	Switch - Micro	2
19	27-2360	Ignition Switch Assembly (Incl. Ref. #9-11)	1	39	3290-93	Screw - Cap Hex. Hd.	4

\*Not Illustrated

‡For different language versions of this part, see International Decal Cross Reference.



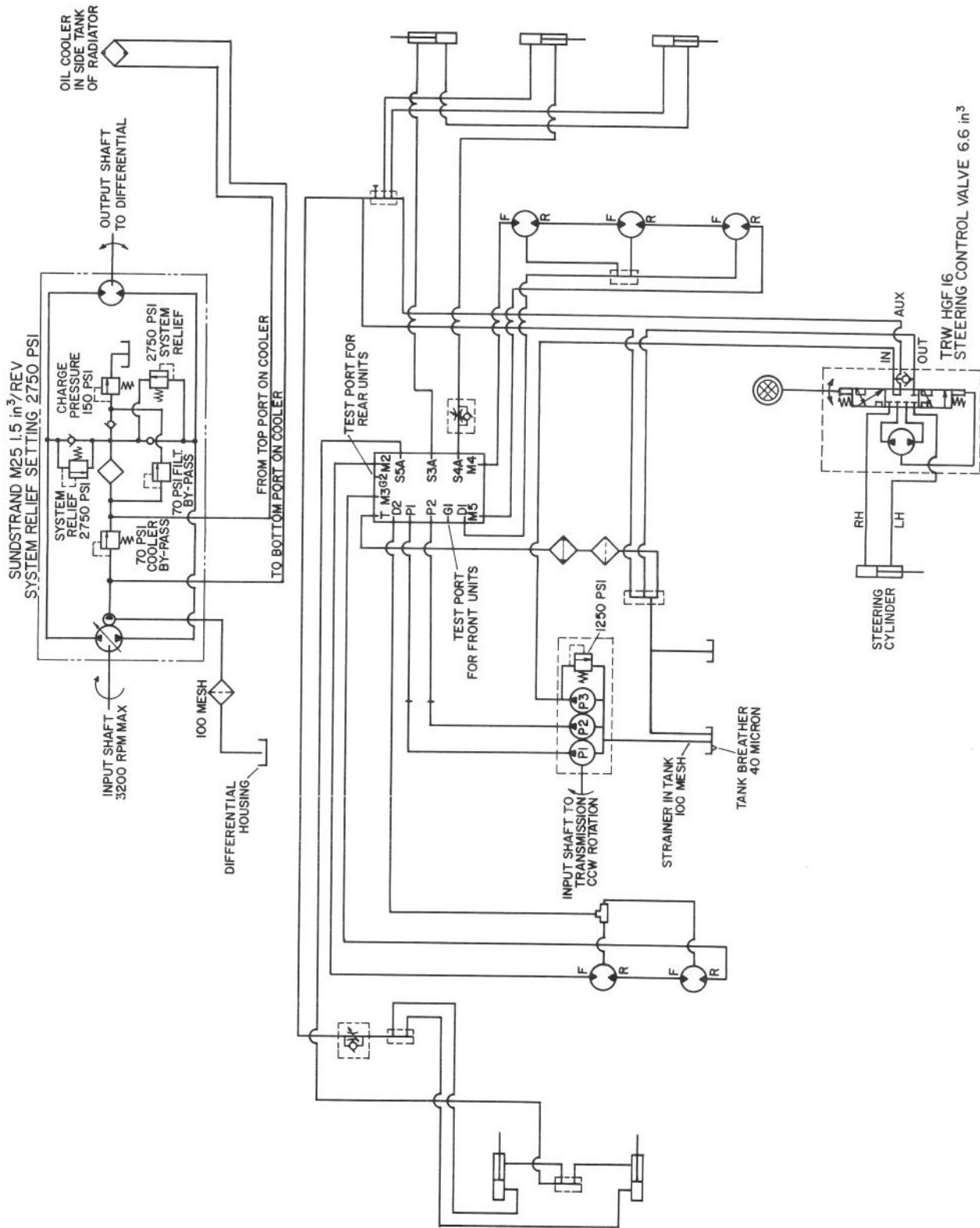
T-1047

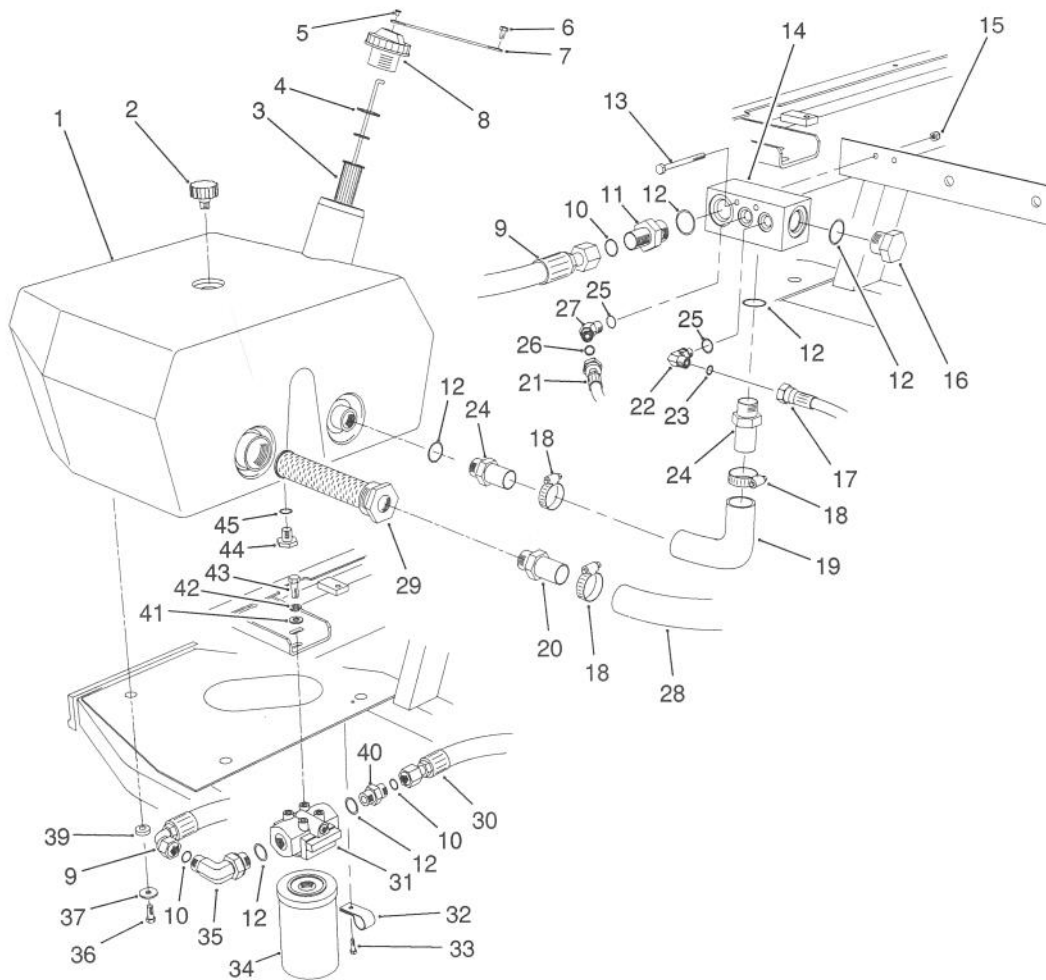
## CONTROL CONSOLE ASSEMBLY (Continued)

Ref. No.	Part No.	Description	No. Used	Ref. No.	Part No.	Description	No. Used
40	3290-488	Boot - Lift Control	1	46	32144-18	Screw - Cap Hex. Hd.	2
41	32144-39	Screw - Cap Hex. Hd.	2	47	75-6820	Meter - Hour	1
42	69-4780	Clamp - Hour Meter	1	*	84-1820	Harness - Wire Main (Incl. Ref. #20-21)	1
43	32105-1	Screw - Cap Hex. Hd.	1				
45	3273-26	Screw - Hex. Socket Hd.	2				

\*Not Illustrated

# HYDRAULIC SCHEMATIC

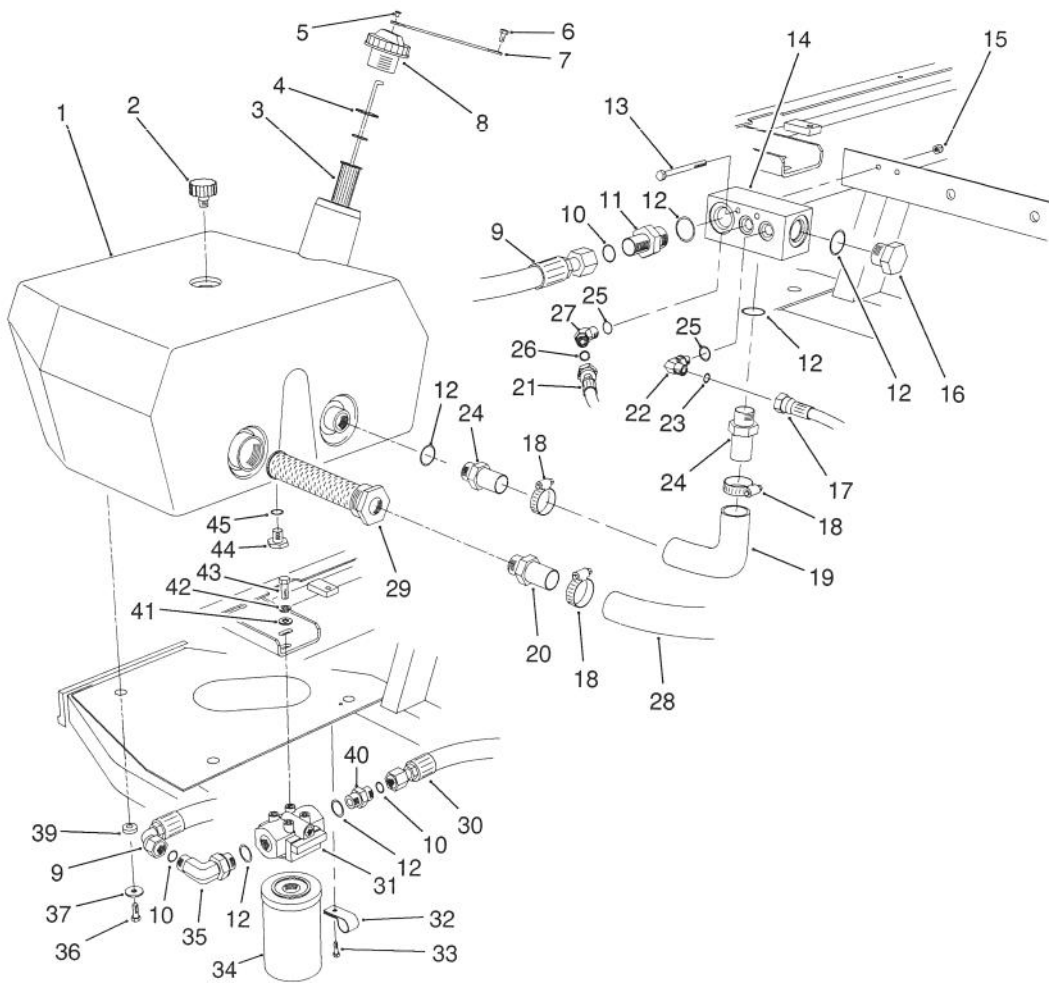




T-1048

## HYDRAULIC RESERVOIR ASSEMBLY

Ref. No.	Part No.	Description	No. Used	Ref. No.	Part No.	Description	No. Used
1	75-1170	Reservoir - Hydraulic	1	21	75-6200	Hose - Hydraulic	1
2	68-6150	Breather - Hydraulic Tank	1	22	340-77	Fitting - Hydraulic 90° (Incl. Ref. #23 & 25)	1
3	61-2790	Screen - Filler	1	23	237-22	Seal - O-Ring	3
4	75-3710	Dipstick	1	24	354-73	Fitting - Hydraulic Straight (Incl. Ref. #12)	2
5	2410-73	Retainer - Tether	1	25	237-42	Seal - O-Ring	2
6	321-2	Screw - Cap Hex. Hd.	1	26	237-21	Seal - O-Ring	1
7	75-0540	Tether - Cap	1	27	340-137	Fitting - Hydraulic 45° (Incl. Ref. #25 & 26)	1
8	70-8640	Cap - Hydraulic Reservoir	1	28	75-6870	Hose - Hydraulic Suction	1
9	75-6130	Hose - Hydraulic	1	29	75-0550	Strainer - Suction	1
10	237-65	Seal - O-Ring	5	30	75-6140	Hose - Hydraulic	1
11	340-8	Fitting - Hydraulic Straight (Incl. Ref. #10 & 12)	1	31	63-8280	Head - Hydraulic Filter	1
12	237-81	Seal - O-Ring	4	32	2412-93	Clamp - R	2
13	321-23	Screw - Cap Hex. Hd.	2	33	32144-10	Screw - Hex. Washer Hd.	2
14	75-5480	Manifold - Tank	1	34	75-1310	Element - Hydraulic Filter	1
15	3296-42	Nut - Lock	2	35	340-139	Fitting - Hydraulic 90° (Incl. Ref. #10 & 12)	1
16	354-74	Fitting 0 Hydraulic Plug (Incl. Ref. #12)	1	36	323-5	Screw - Cap Hex. Hd.	3
17	75-6250	Hose - Hydraulic	1	37	63-8410	Washer - Flat	3
18	2412-34	Clamp - Hose	3	39	240-11	Grommet	3
19	75-5720	Hose - Hydraulic	1				
20	353-682	Fitting - Hydraulic Straight	1				

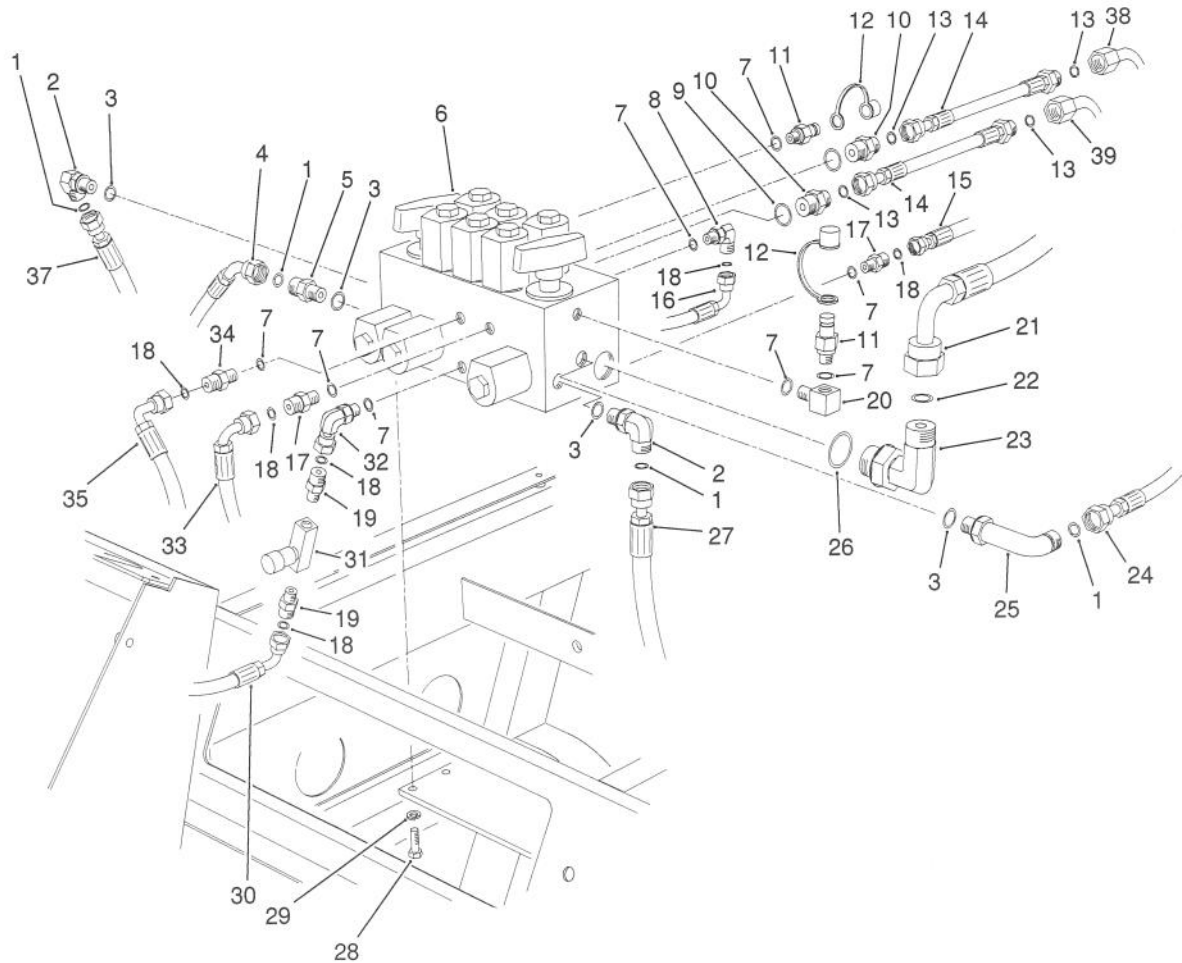


T-1048

## HYDRAULIC RESERVOIR ASSEMBLY (Continued)

Ref. No.	Part No.	Description	No. Used
40	340-8	Fitting - Hydraulic Straight (Incl. Ref. #10 & 12)	1
41	3256-24	Washer - Flat	2
42	3253-21	Washer - Lock	2

Ref. No.	Part No.	Description	No. Used
43	323-4	Screw - Cap Hex. Hd.	2
44	353-550	Fitting - Plug (Incl. Ref. #45)	1
45	237-79	Seal - O-Ring	1

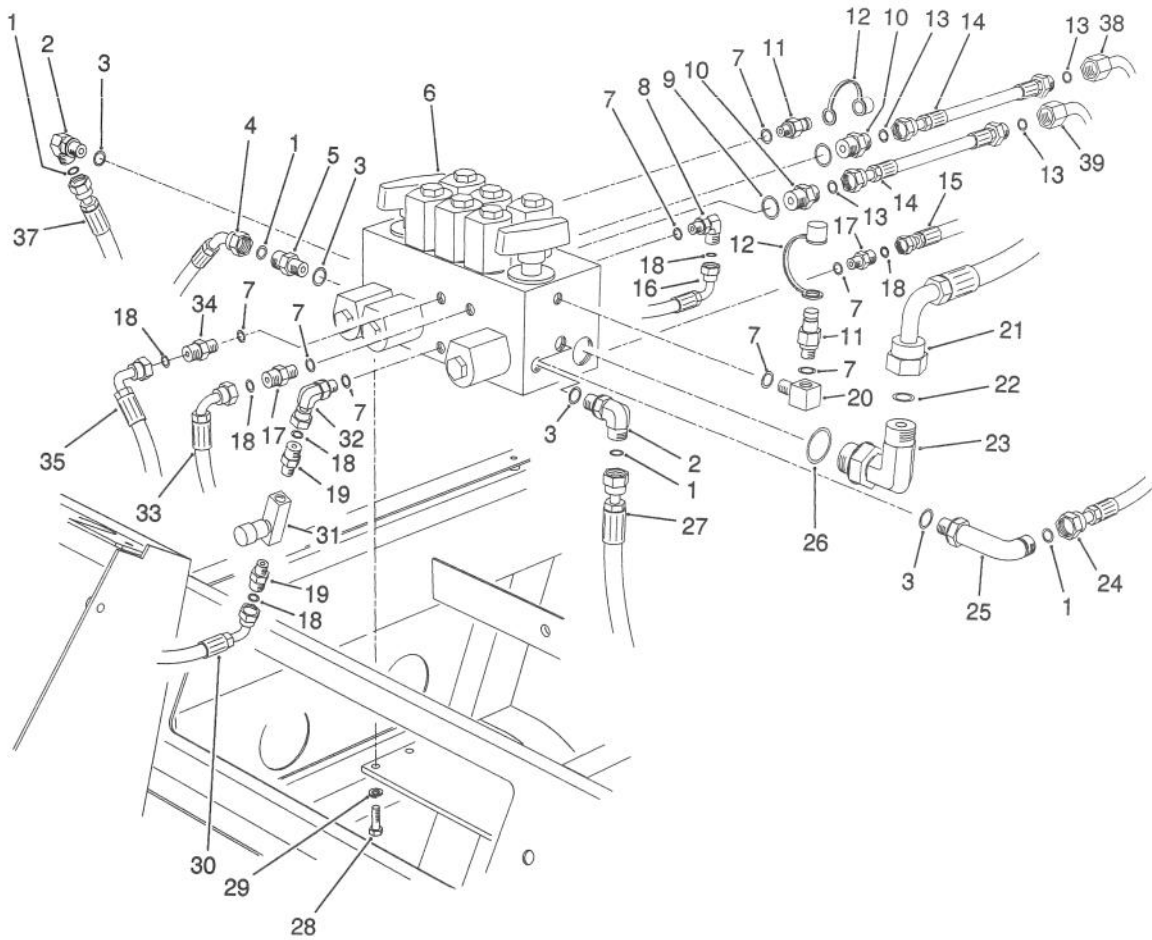


T-1094

## HYDRAULIC CONTROL MANIFOLD ASSEMBLY

Ref. No.	Part No.	Description	No. Used
1	237-22	Seal - O-Ring	4
2	340-77	Fitting - Hydraulic 90° (Incl. Ref. #1 & 3)	2
3	237-42	Seal - O-Ring	4
4	75-6000	Hose - Hydraulic	1
5	340-2	Fitting - Hydraulic Straight (Incl. Ref. #1 & 3)	1
6	75-2150	Control Manifold Assembly	1
7	237-78	Seal - O-Ring	7
8	340-132	Fitting - Hydraulic 90° (Incl. Ref. #7 & 18)	1
9	237-79	Seal - O-Ring	2
10	340-4	Fitting - Hydraulic Straight (Incl. Ref. #9 & 13)	2
11	354-77	Fitting - Test Port (Incl. Ref. #7)	2
12	354-79	Cap - Test Port	2
13	237-30	Seal - O-Ring	4
14	75-5230	Hose - Hydraulic	2
15	75-6120	Hose - Hydraulic	1
16	75-5950	Hose - Hydraulic	1
17	340-92	Fitting - Hydraulic Straight (Incl. Ref. #7 & 18)	2
18	237-21	Seal - O-Ring	6

Ref. No.	Part No.	Description	No. Used
19	340-13	Fitting - Hydraulic Straight (Incl. Ref. #18)	2
20	75-6640	Fitting - Hydraulic 90° (Incl. Ref. #7)	1
21	75-6160	Hose - Hydraulic	1
22	237-65	Seal - O-Ring	1
23	340-139	Fitting - Hydraulic 90° (Incl. Ref. #22 & 26)	1
24	75-6050	Hose - Hydraulic	1
25	69-4320	Fitting - Hydraulic 90° (Incl. Ref. #1 & 3)	1
26	237-81	Seal - O-Ring	1
27	75-6040	Hose - Hydraulic	1
28	322-3	Screw - Cap Hex. Hd.	4
29	3253-4	Washer - Lock	4
30	75-5900	Hose - Hydraulic	1
31	82-8270	Valve - Flow Control	1
32	340-143	Fitting - Hydraulic 90° (Incl. Ref. #7)	1
33	75-6060	Hose - Hydraulic	1
34	340-92	Fitting - Hydraulic Straight (Incl. Ref. #7 & 18)	1
35	75-5890	Hose - Hydraulic	1

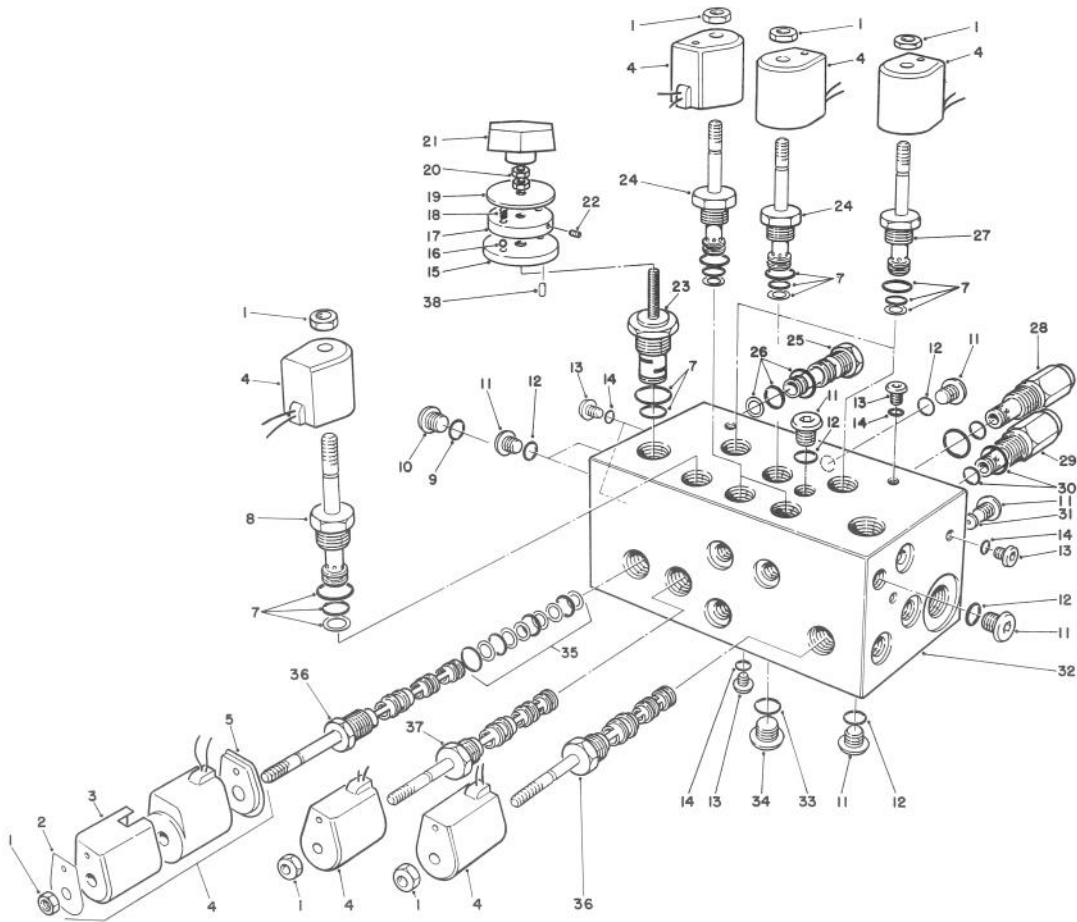


T-1094

## HYDRAULIC CONTROL MANIFOLD ASSEMBLY (Continued)

Ref. No.	Part No.	Description	No. Used
37	75-5990	Hose - Hydraulic	1
38	75-5240	Tube - Hydraulic	1

Ref. No.	Part No.	Description	No. Used
39	75-5250	Tube - Hydraulic	1



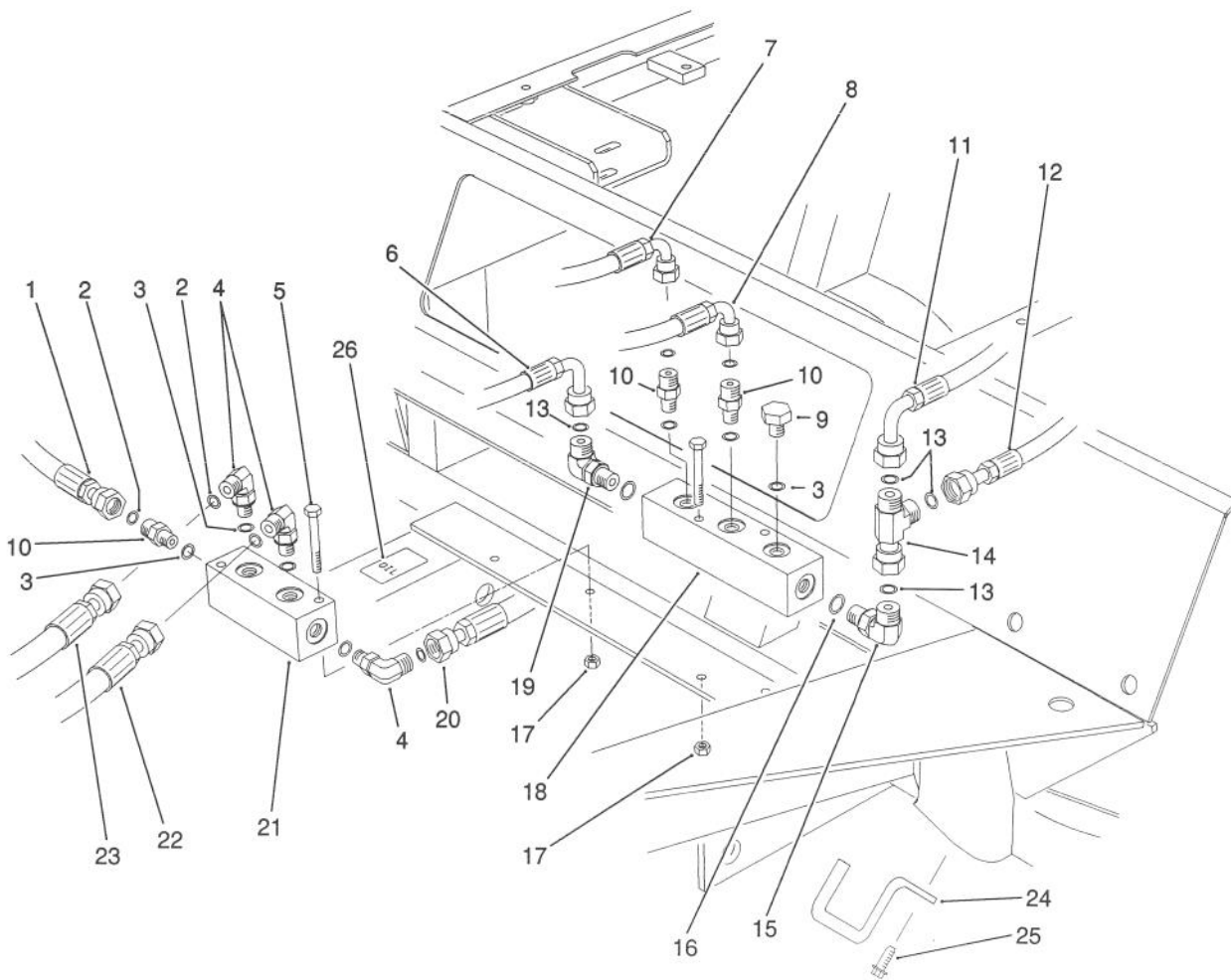
T-1035

## CONTROL MANIFOLD ASSEMBLY

Ref. No.	Part No.	Description	No. Used	Ref. No.	Part No.	Description	No. Used
1	69-4300	Nut	9	24	75-2050	Solenoid Assembly N.C. (Incl. Ref. #7)	3
†2		Plate - Name	9	25	69-4120	Cartridge Assembly N.C. (Incl. Ref. #26)	2
†3		Cover - Coil	9	26	69-4240	Seal Kit	2
4	69-4290	Solenoid Coil Assembly (Incl. Ref. #1-5)	9	27	75-2030	Solenoid Assembly N.O. (Incl. Ref. #7)	2
†5		Plate - Coil	9	28	75-0920	Relief Cartridge Assembly 3000 psi (Incl. Ref. 30)	1
7	75-2080	Seal Kit	8	29	75-2010	Relief Cartridge Assembly 2000 psi (Incl. Ref. 30)	1
8	75-2040	Solenoid Assembly N.C. (Incl. Ref. #7)	1	30	69-4230	Seal Kit	2
9	237-80	O-Ring	1	31	75-2070	Plug - Orifice	2
10	354-70	Plug	1	†32		Body - Manifold	1
11	353-990	Plug	10	33	237-42	O-Ring	1
12	237-78	O-Ring	8	34	353-989	Plug	1
13	353-991	Plug	8	35	75-2090	Seal Kit	3
14	237-156	O-Ring	8	36	75-2020	Solenoid Assembly (Incl. Ref. #35)	2
†15		Plate - Locating	2	37	75-6910	Solenoid Assembly (Incl. Ref. #35)	1
†16		Ball - Detent	4	38	84-5280	Pin - Spring	2
†17		Plate - Detent	2	*	82-8520	Detent Assembly Kit (Incl. Ref. #15-22 & 38)	1
†18		Spring - Detent	4				
†19		Plate - Indicator	2				
†20		Nut - Jam	4				
†21		Knob Assembly	2				
†22		Screw - Set	2				
23	75-2060	Rotary Cartridge Assembly (Incl. Ref. #7 & 23)	2				

\*Not Illustrated

†Not Serviceable Separately



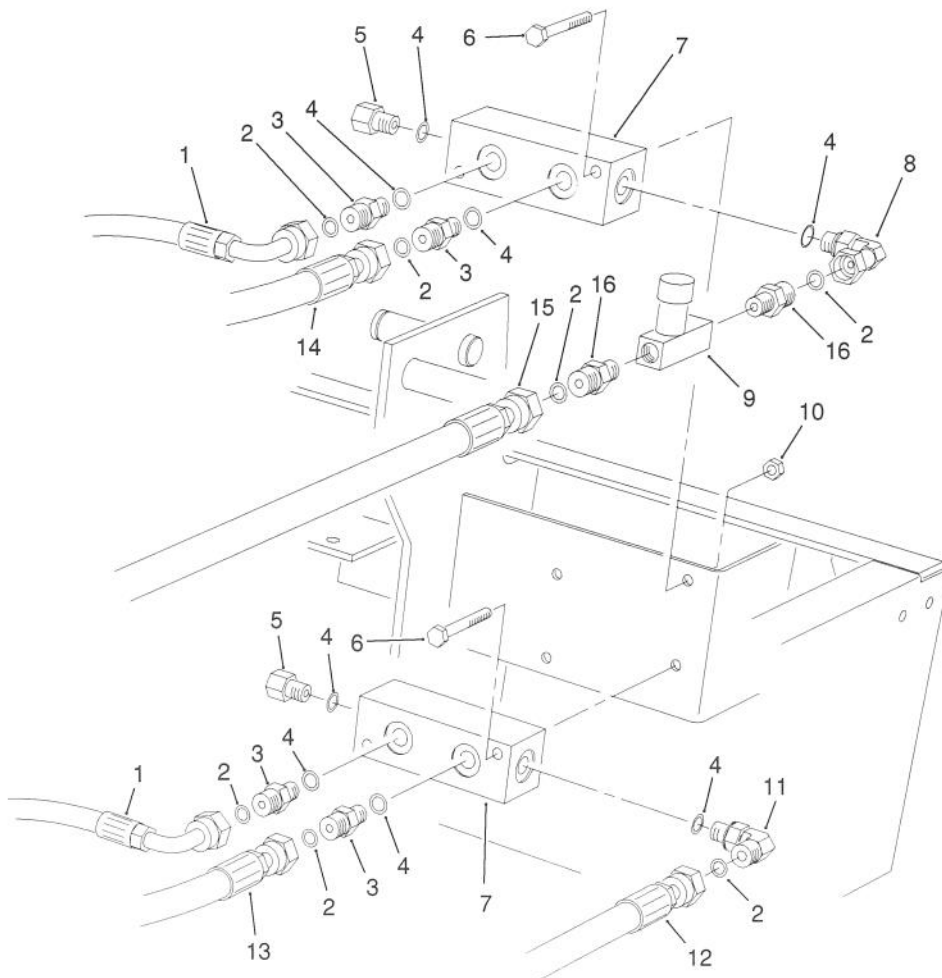
T-1058

## FRONT HYDRAULIC MANIFOLDS

Ref. No.	Part No.	Description	No. Used
1	75-5980	Hose - Hydraulic	1
2	237-21	Seal - O-Ring	6
3	237-78	Seal - O-Ring	7
4	340-132	Fitting - Hydraulic 90° (Incl. Ref. #2 & 3)	3
5	321-11	Screw - Cap Hex. Hd.	4
6	75-5940	Hose - Hydraulic	1
7	75-5890	Hose - Hydraulic	1
8	75-5910	Hose - Hydraulic	1
9	355-12	Plug - Hydraulic (Incl. Ref. #3)	1
10	340-92	Fitting - Hydraulic Straight (Incl. Ref. #2 & 3)	3
11	75-6020	Hose - Hydraulic	1
12	75-6200	Hose - Hydraulic	1
13	237-22	Seal - O-Ring	4

Ref. No.	Part No.	Description	No. Used
14	340-151	Fitting - Hydraulic Tee (Incl. Ref. #13)	1
15	340-82	Fitting - Hydraulic 90° (Incl. Ref. #13 & 16)	1
16	237-42	Seal - O-Ring	2
17	3296-42	Nut - Lock	4
18	75-1190	Manifold - Hydraulic	1
19	340-77	Fitting - Hydraulic 90° (Incl. Ref. #13 & 16)	1
20	75-5950	Hose - Hydraulic	1
21	75-1180	Manifold - Hydraulic	1
22	75-5960	Hose - Hydraulic	1
23	75-5970	Hose - Hydraulic	1
24	75-5300	Rod - Hose Support	2
25	49-2040	Screw - Hex. Washer Hd.	4
26	53-4430	Decal - Oil	1

\*Not Illustrated

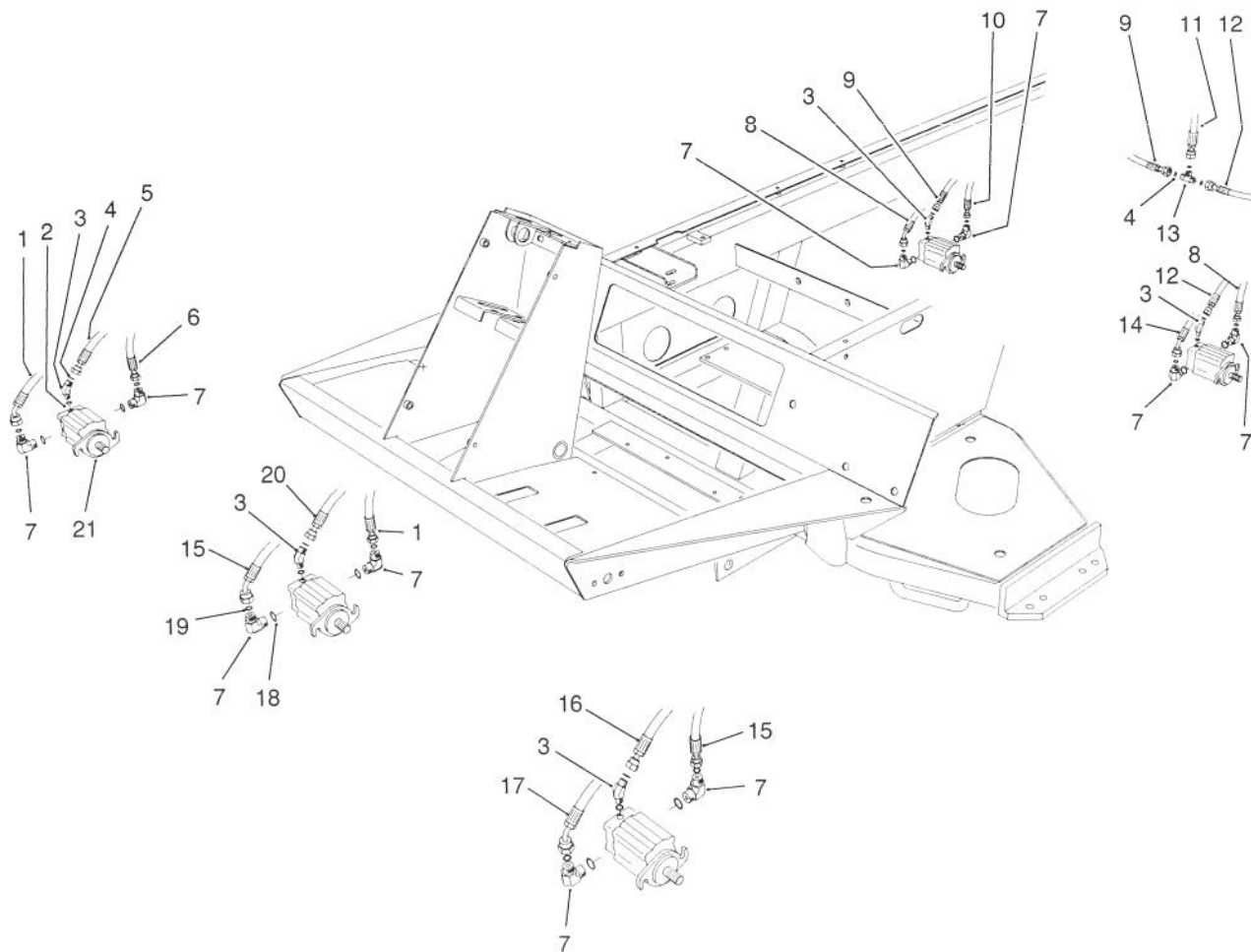


T-1095

## REAR HYDRAULIC MANIFOLDS

Ref. No.	Part No.	Description	No. Used
1	75-6180	Hose - Hydraulic	2
2	237-21	Seal - O-Ring	7
3	340-92	Fitting - Hydraulic Straight (Incl. Ref. #2 & 4)	4
4	237-78	Seal - O-Ring	8
5	353-512	Fitting - Hydraulic Plug (Incl. Ref. #4)	2
6	321-11	Screw - Cap Hex. Hd.	4
7	75-1180	Manifold	2
8	340-143	Fitting - Hydraulic 90° (Incl. Ref. #4)	1

Ref. No.	Part No.	Description	No. Used
9	82-8270	Valve - Flow Control	1
10	3296-42	Nut - Lock	4
11	340-132	Fitting - Hydraulic 90° (Incl. Ref. #2 & 4)	1
12	75-6060	Hose - Hydraulic	1
13	75-6080	Hose - Hydraulic	1
14	75-6070	Hose - Hydraulic	1
15	75-6020	Hose - Hydraulic	1
16	340-13	Fitting - Hydraulic Straight (Incl. Ref. #2)	2

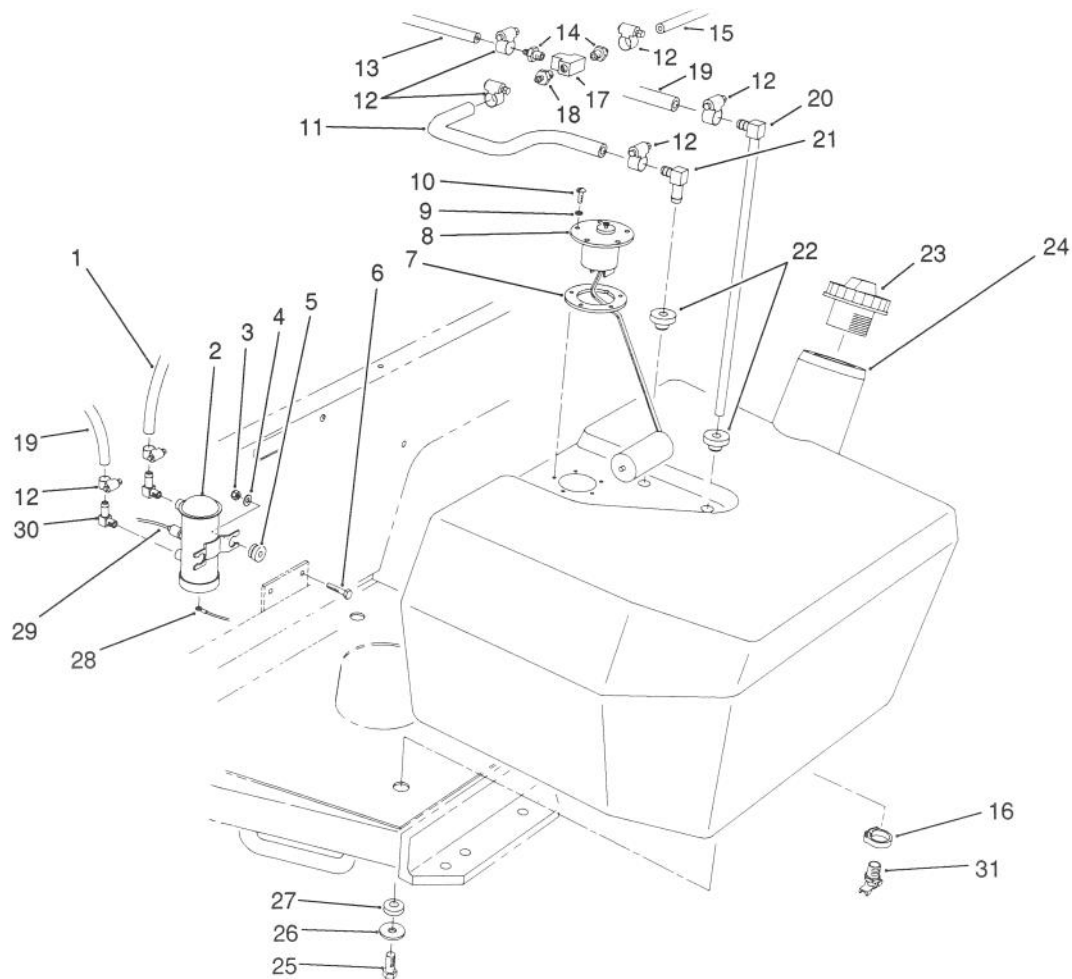


T-1150

## CUTTING UNIT HYDRAULIC COMPONENTS

Ref. No.	Part No.	Description	No. Used
1	75-6030	Hose - Hydraulic	1
2	237-78	Seal - O-Ring	5
3	340-103	Fitting - Hydraulic 45° (Incl. Ref. #2 & 4)	5
4	237-21	Seal - O-Ring	8
5	75-5980	Hose - Hydraulic	1
6	75-6000	Hose - Hydraulic	1
7	340-18	Fitting - Hydraulic 90° (Incl. Ref. #18 & 19)	10
8	75-6190	Hose - Hydraulic	1
9	75-6110	Hose - Hydraulic	1
10	75-6040	Hose - Hydraulic	1

Ref. No.	Part No.	Description	No. Used
11	75-6120	Hose - Hydraulic	1
12	75-6100	Hose - Hydraulic	1
13	340-21	Fitting - Hydraulic Tee (Incl. Ref. #4)	1
14	75-6050	Hose - Hydraulic	1
15	75-6010	Hose - Hydraulic	1
16	75-5950	Hose - Hydraulic	1
17	75-5990	Hose - Hydraulic	1
18	237-79	Seal - O-Ring	10
19	237-22	Seal - O-Ring	10
20	75-5960	Hose - Hydraulic	1
21	75-1400	Motor - Hydraulic	5



T-1049

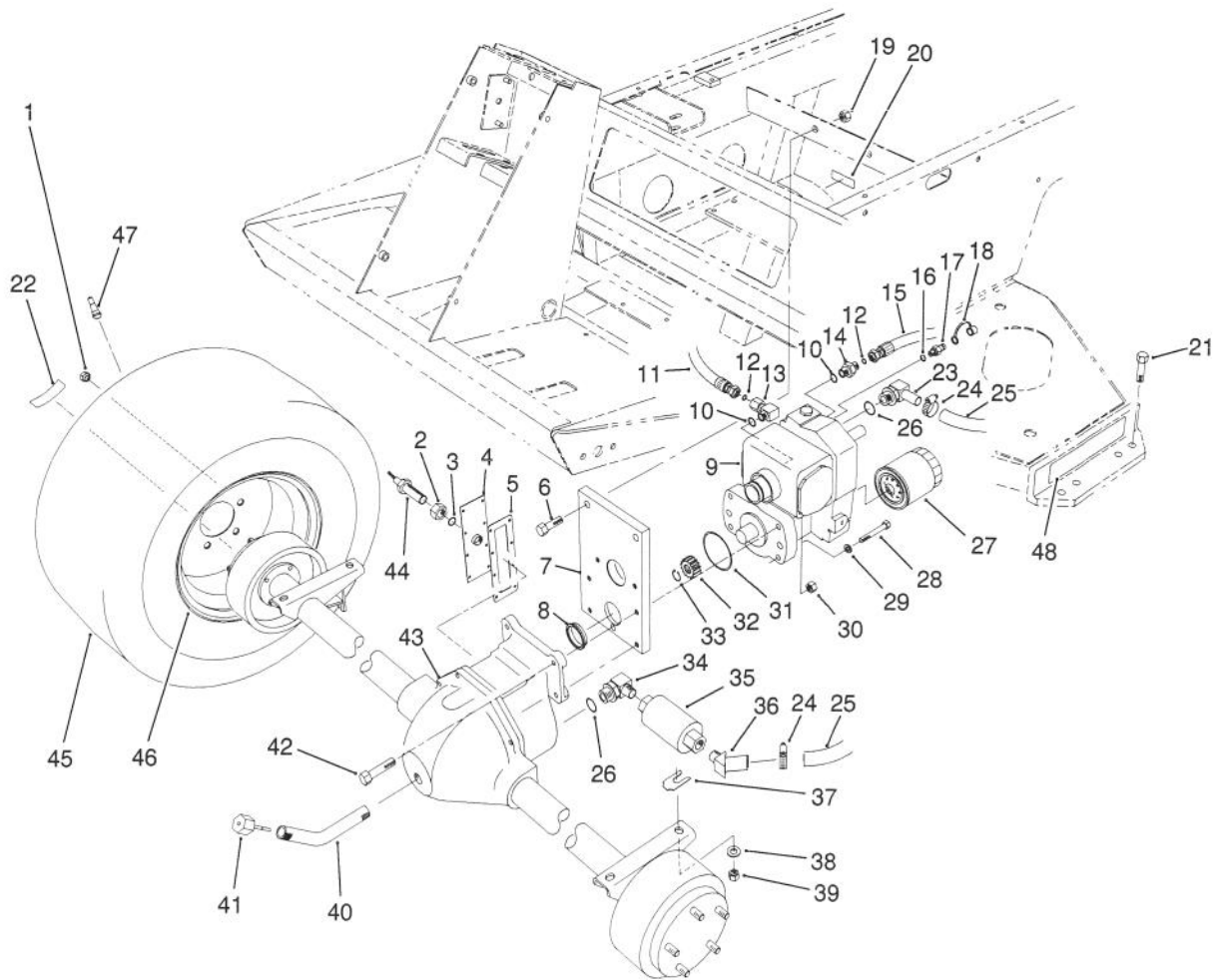
## FUEL TANK ASSEMBLY

Ref. No.	Part No.	Description	No. Used
1	63-7610	Hose - Fuel	1
2	70-8460	Fuel Pump Assembly (Incl. Ref. #5 & 28-29)	1
3	3296-42	Nut - Lock	2
4	3256-22	Washer - Flat	2
†5		Mount - Rubber	2
6	321-8	Screw - Cap Hex. Hd.	2
7	62-7650	Gasket - Sending Unit	1
8	63-7640	Unit - Sending	1
9	3253-15	Washer - Lock	5
10	32122-24	Screw - Round Hd.	5
11	27-5340	Hose - Fuel	1
12	2412-108	Clamp - Hose	7
13	75-4700	Hose - Fuel	1
14	354-22	Fitting - Fuel Straight	2
15	75-4701	Hose - Fuel	1
16	2412-36	Clamp - Drain	1

Ref. No.	Part No.	Description	No. Used
17	354-20	Fitting - Fuel Tee	1
18	354-21	Fitting - Fuel Straight	1
19	44-2670	Hose - Fuel	1
20	66-8121	Standpipe - Elbow 90°	1
21	46-6550	Connector - Fuel Elbow 90°	1
22	46-6560	Grommet	2
23	70-8620	Cap - Fuel Tank (Green)	1
*	70-8621	Cap - Fuel Tank (Black)	1
24	75-1080	Tank - Fuel	1
25	323-5	Screw - Cap Hex. Hd.	3
26	63-8410	Washer - Flat	3
27	240-11	Grommet	3
28	70-8530	Wire - Fuel Pump	1
29	218-579	Wire - Fuel Pump	1
30	67-1690	Fitting - Fuel Elbow 90°	2
31	304-46	Fitting - Drain	1

\*Not Illustrated

†Not Serviced Separately



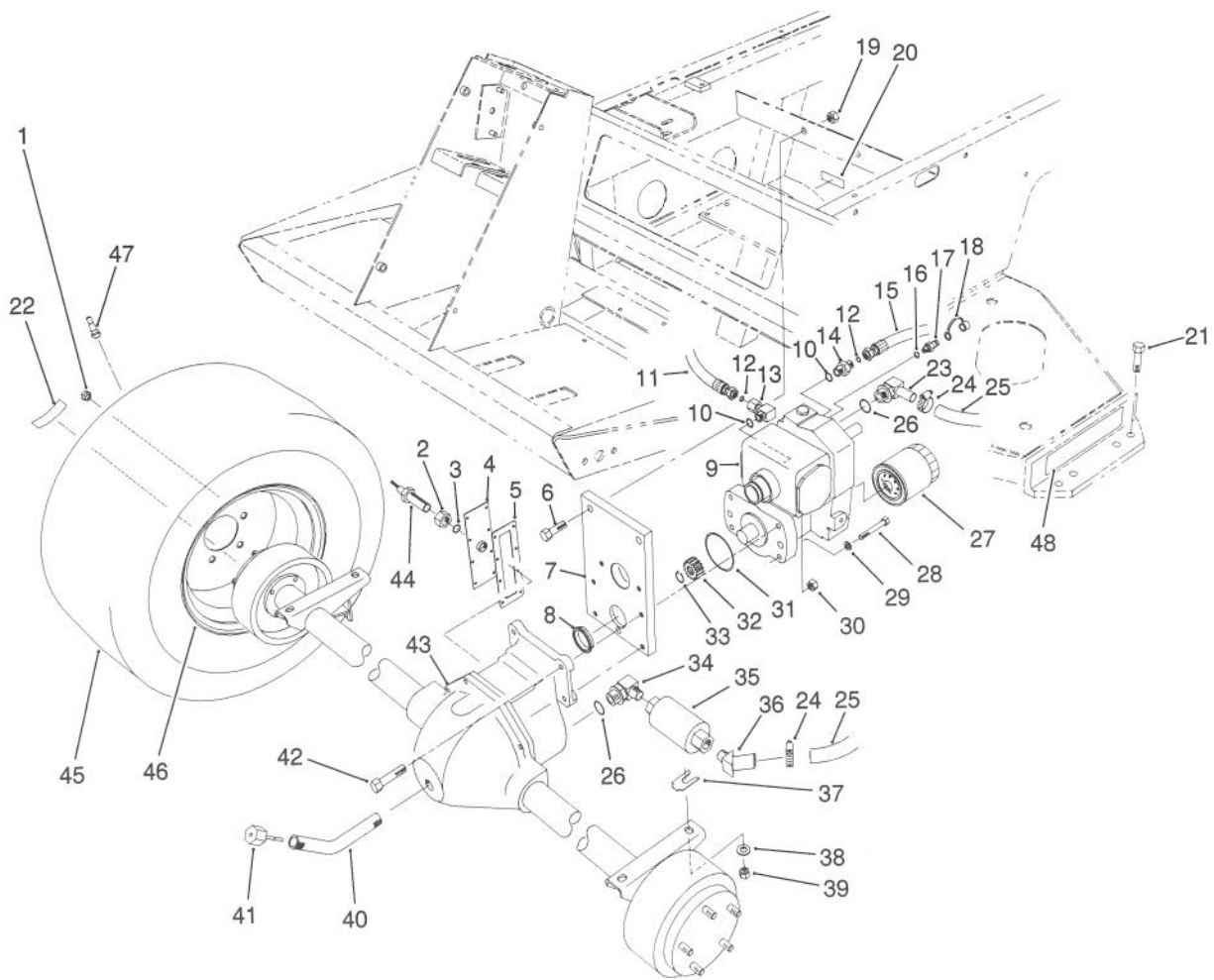
T-1050

## FRONT AXLE & TRANSMISSION ASSEMBLY

Ref. No.	Part No.	Description	No. Used
1	23-7270	Nut - Lug	10
2	3220-7	Nut - Jam	1
3	237-65	Seal - O-Ring	1
4	25-4980	Cover - Gear	1
5	21-7820	Gasket - Cover	1
6	325-7	Screw - Cap Hex. Hd.	2
7	75-3100	Transmission Support Assy. (Incl. Ref. #8)	1
8	75-3110	Collar - Transmission	1
9	75-0010	Transmission Assembly	1
10	237-79	Seal - O-Ring	2
11	75-6170	Hose - Hydraulic	1
12	237-22	Seal - O-Ring	2
13	340-18	Fitting - Hydraulic 90° (Incl. Ref. #10 & 12)	1
14	340-3	Fitting - Hydraulic Straight (Incl. Ref. #10 & 12)	1
15	75-6150	Hose - Hydraulic	1
16	237-78	Seal - O-Ring	1
17	354-77	Fitting - Hydraulic Test Port (Incl. Ref. #16)	1
18	354-79	Cap - Test Port	1
19	3296-23	Nut - Lock	2

Ref. No.	Part No.	Description	No. Used
‡20	77-0490	Decal - Bolt (English)	1
21	324-6	Screw - Cap Hex. Hd.	4
22	76-8730	Decal - Bolt Torque	2
23	75-4720	Fitting - Hydraulic 90° (Incl. Ref. #26)	1
24	2412-34	Clamp - Hose	2
25	75-6350	Hose	1
26	237-81	Seal - O-Ring	2
27	75-1330	Filter - Oil	1
28	323-12	Screw - Cap Hex. Hd.	2
29	3253-21	Washer - Lock	2
30	3296-39	Nut - Lock	2
31	237-161	Seal - O-Ring	1
32	23-4810	Gear - Pinion	1
33	32151-62	Ring - Retaining	1
34	354-75	Fitting - Hydraulic 90° (Incl. Ref. #26)	1
35	75-6340	Strainer - In-Line	1
36	354-72	Fitting - Hydraulic 45°	1
37	42-6080	Shim - Axle	A/R
38	3256-25	Washer - Flat	4
39	3296-48	Nut - Lock	4
40	75-6850	Tube - Oil Fill	1

‡For different language versions of this part, see International Decal Cross Reference.

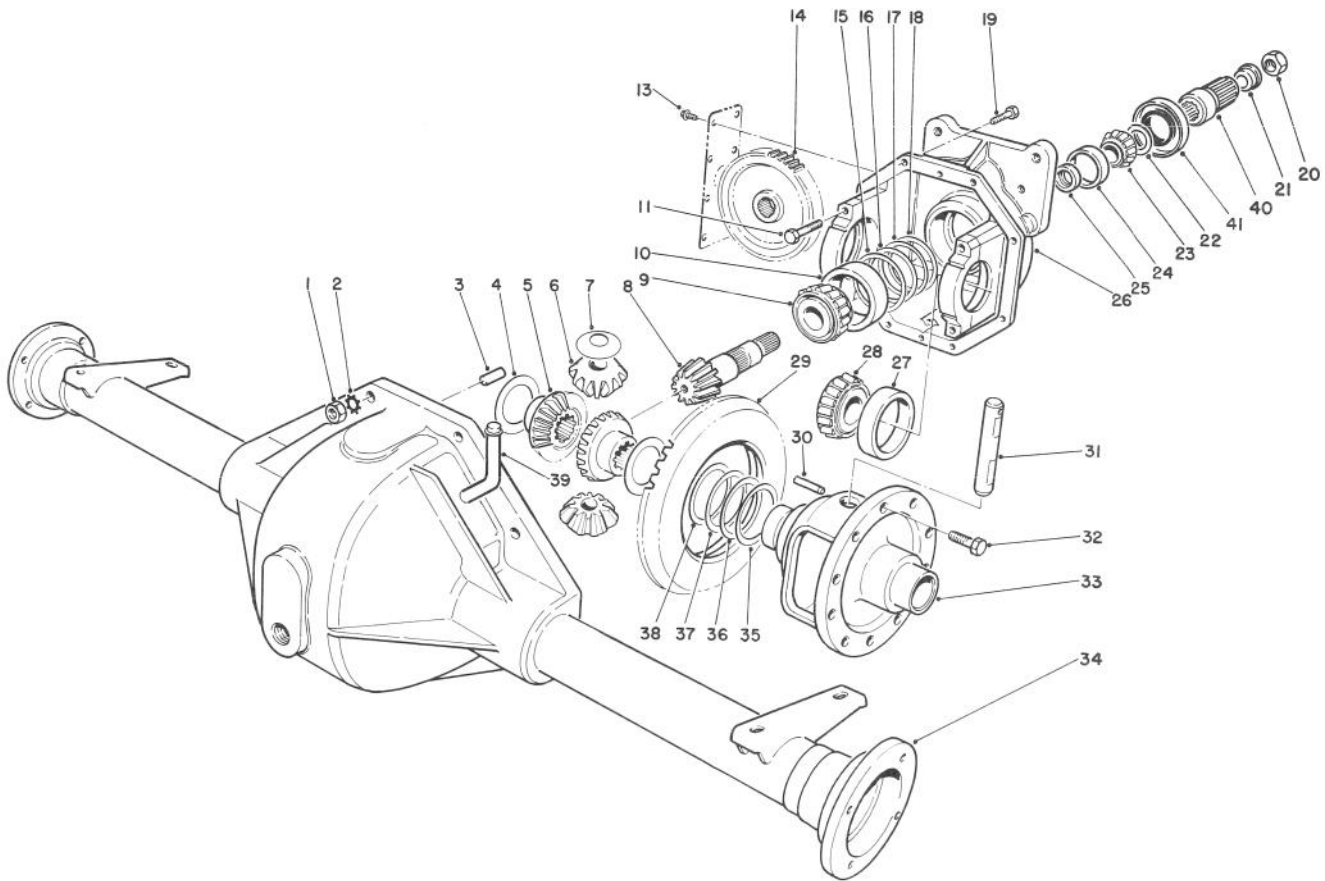


T-1050

## FRONT AXLE & TRANSMISSION ASSEMBLY (Continued)

Ref. No.	Part No.	Description	No. Used	Ref. No.	Part No.	Description	No. Used
41	27-3710	Dipstick - Axle	1	45	231-134	Tire	2
42	323-20	Screw - Cap Hex. Hd.	2	46	217-120	Rim	2
43	75-0711	Front Axle Assembly	1	47	232-27	Stem - Valve	2
44	75-6700	Sensor - Magnetic	1	‡48	75-0810	Decal - Caution (English)	2

‡For different language versions of this part, see International Decal Cross Reference.



T-1315

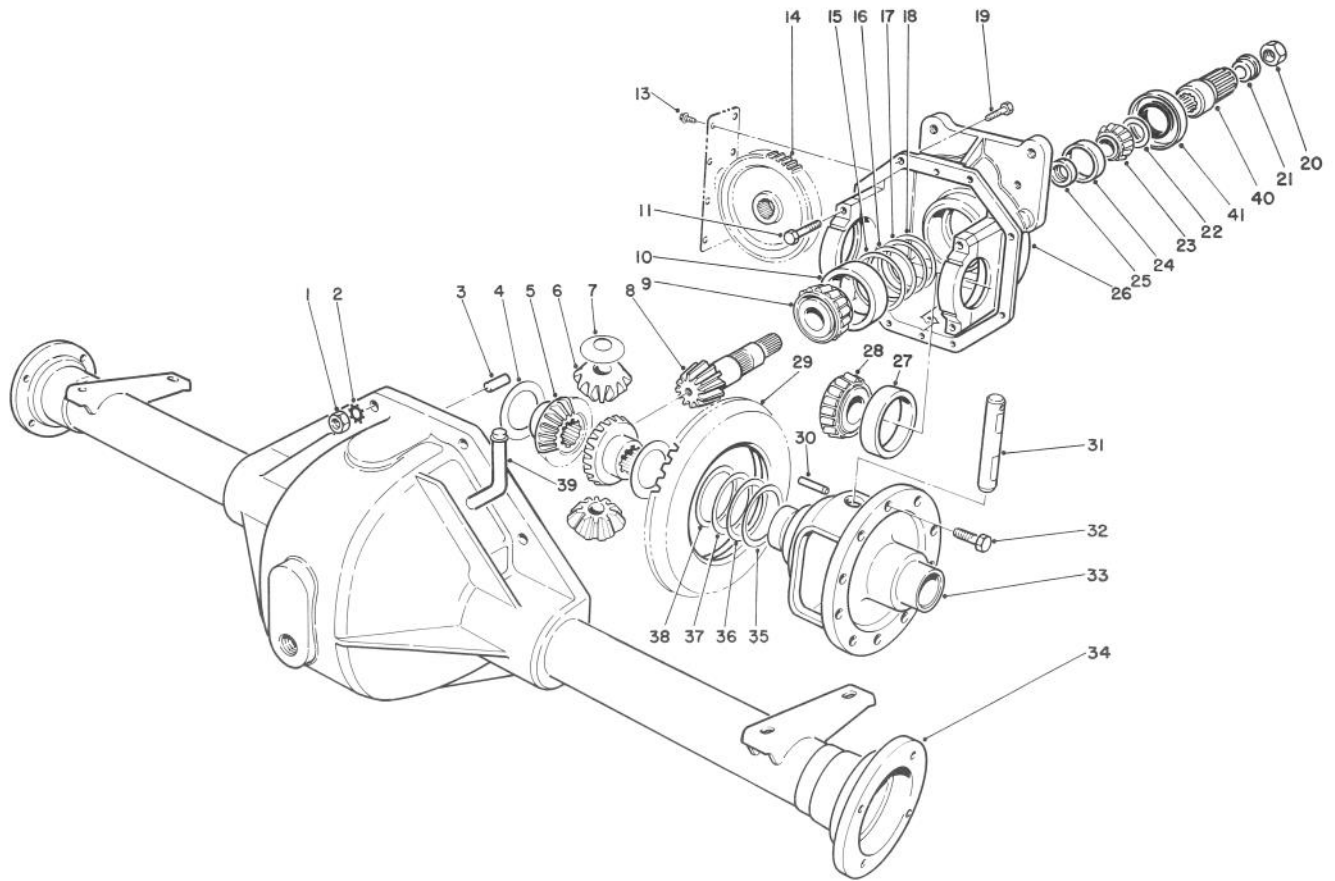
## FRONT AXLE ASSEMBLY NO. 75-0711

Ref. No.	Part No.	Description	No. Used
1	3219-2	Nut	8
2	3255-8	Washer-Lock	8
3	21-8270	Pin-Dowel	2
4	21-7720	Washer-Thrust	2
5	24-8790	Gear-Bevel, Differential	2
6	21-7690	Gear-Pinion	2
7	21-7730	Washer-Thrust	2
†8		Pinion-Drive	1
9	43-6760	Cone-Bearing, tapered	1
10	43-6750	Cup-Bearing, Tapered	1
11	324-23	Screw-Cap, Hex Hd.	4
13	12-5450	Screw-Thread Forming	8
14	21-8150	Gear-Spur	1
15	43-6710	Diff. Adjust. Shim .003	A/R
16	43-6711	Diff. Adjust. Shim .005	A/R
17	43-6712	Diff. Adjust. Shim .010	A/R
18	43-6713	Diff. Adjust. Shim .030	A/R
19	3210-7	Screw-Cap, Hex Hd.	8
20	71-4350	Nut	1
21	83-5130	Spacer - Pinion	1
22	72-3570	Shim .094 - Diff. Adjust.	A/R
*	72-3571	Shim .096 - Diff. Adjust.	A/R
*	72-3572	Shim .098 - Diff. Adjust.	A/R

Ref. No.	Part No.	Description	No. Used
22	72-3573	Shim .100 - Diff. Adjust.	A/R
*	72-3574	Shim .102 - Diff. Adjust.	A/R
*	72-3575	Shim .104 - Diff. Adjust.	A/R
*	72-3576	Shim .106 - Diff. Adjust.	A/R
*	72-3577	Shim .108 - Diff. Adjust.	A/R
*	72-3578	Shim .110 - Diff. Adjust.	A/R
*	72-3580	Shim .112 - Diff. Adjust.	A/R
*	72-3581	Shim .114 - Diff. Adjust.	A/R
*	72-3582	Shim .116 - Diff. Adjust.	A/R
*	72-3583	Shim .118 - Diff. Adjust.	A/R
*	72-3584	Shim .120 - Diff. Adjust.	A/R
*	72-3585	Shim .125 - Diff. Adjust.	A/R
*	72-3586	Shim .127 - Diff. Adjust.	A/R
*	72-3587	Shim .129 - Diff. Adjust.	A/R
*	72-3588	Shim .131 - Diff. Adjust.	A/R
*	72-3590	Shim .133 - Diff. Adjust.	A/R
*	72-3591	Shim .135 - Diff. Adjust.	A/R
*	72-3592	Shim .137 - Diff. Adjust.	A/R
*	72-3593	Shim .139 - Diff. Adjust.	A/R
*	72-3594	Shim .141 - Diff. Adjust.	A/R
*	72-3595	Shim .143 - Diff. Adjust.	A/R
*	72-3596	Shim .145 - Diff. Adjust.	A/R
*	72-3597	Shim .147 - Diff. Adjust.	A/R

\*Not Illustrated

†Not Serviced Separately



T-1315

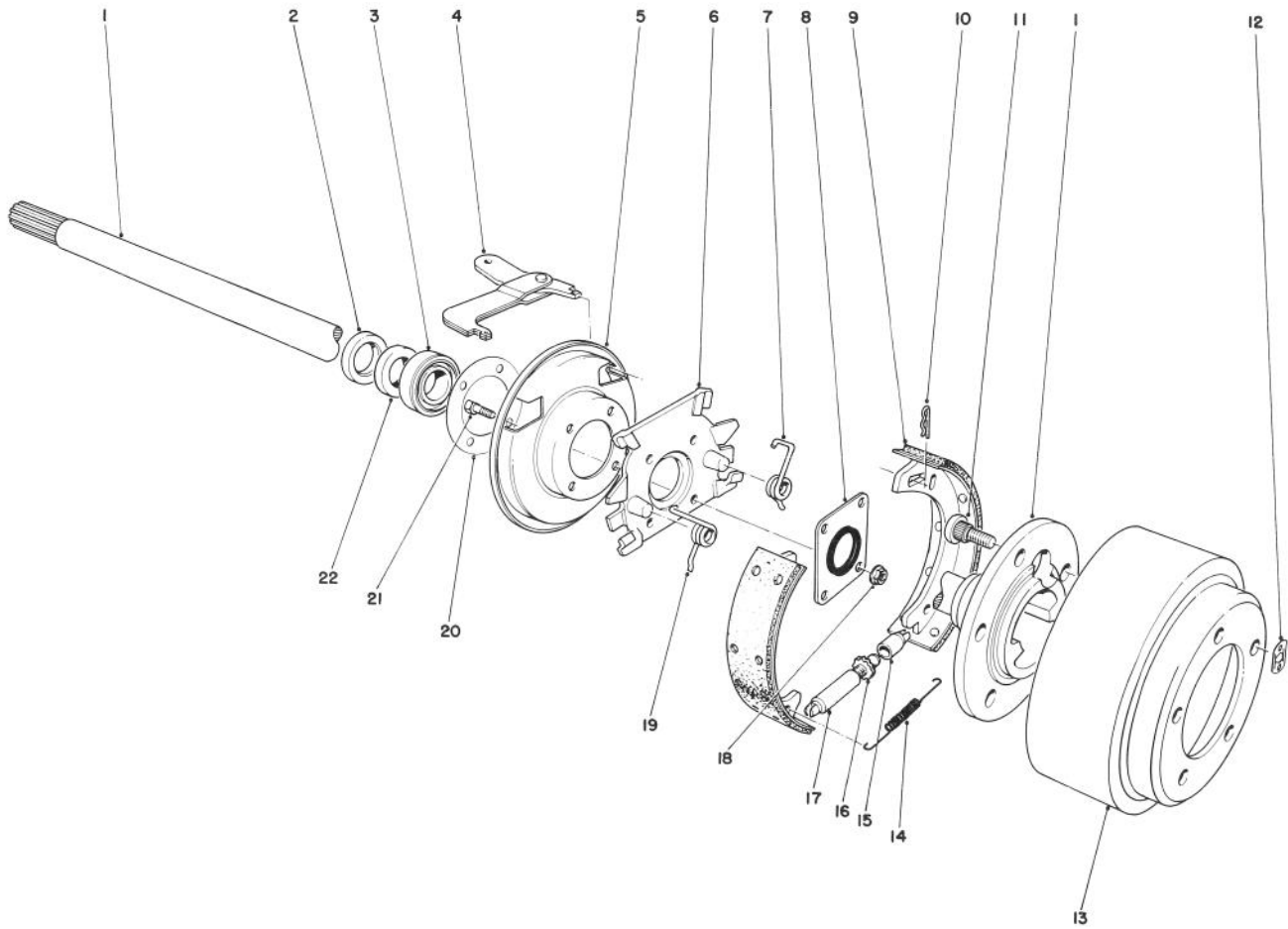
## FRONT AXLE ASSEMBLY NO. 75-0711 (Continued)

Ref. No.	Part No.	Description	No. Used
22	72-3598	Shim .149 - Diff. Adjust.	A/R
*	72-3600	Shim .151 - Diff. Adjust.	A/R
23	254-91	Cone-Bearing	1
24	21-8390	Cup-Bearing	1
25	21-8020	Spacer-Front Pinion	1
26	70-2760	Upper Housing (Incl. Ref. #11)	1
27	254-66	Cup-Tapered Bearing	2
28	254-65	Cone-Tapered Bearing	2
†29		Gear-Ring	1
30	21-7710	Pin-Roll	1
31	21-7700	Shaft-Pinion Mate	1
32	21-7770	Screw-Drive Gear	5
33	21-7670	Case-Differential	1

Ref. No.	Part No.	Description	No. Used
34	75-0720	Housing-Lower	1
35	21-8120	Diff. Adjust. Shim .030	A/R
36	21-8110	Diff. Adjust. Shim .010	A/R
37	21-8100	Diff. Adjust. Shim .005	A/R
38	21-8090	Diff. Adjust. Shim .003	A/R
39	21-8230	Vent Tube Assembly	1
40	83-4910	Coupler - Pinion	1
41	71-4330	Seal	1
*	24-8780	Differential Case Assembly (Incl. Ref. #4-7, 30, 31 & 33)	1
*	72-3620	Gear & Pinion Assembly (Incl. Ref. #8 & 29)	1

\*Not Illustrated

†Not Serviced Separately



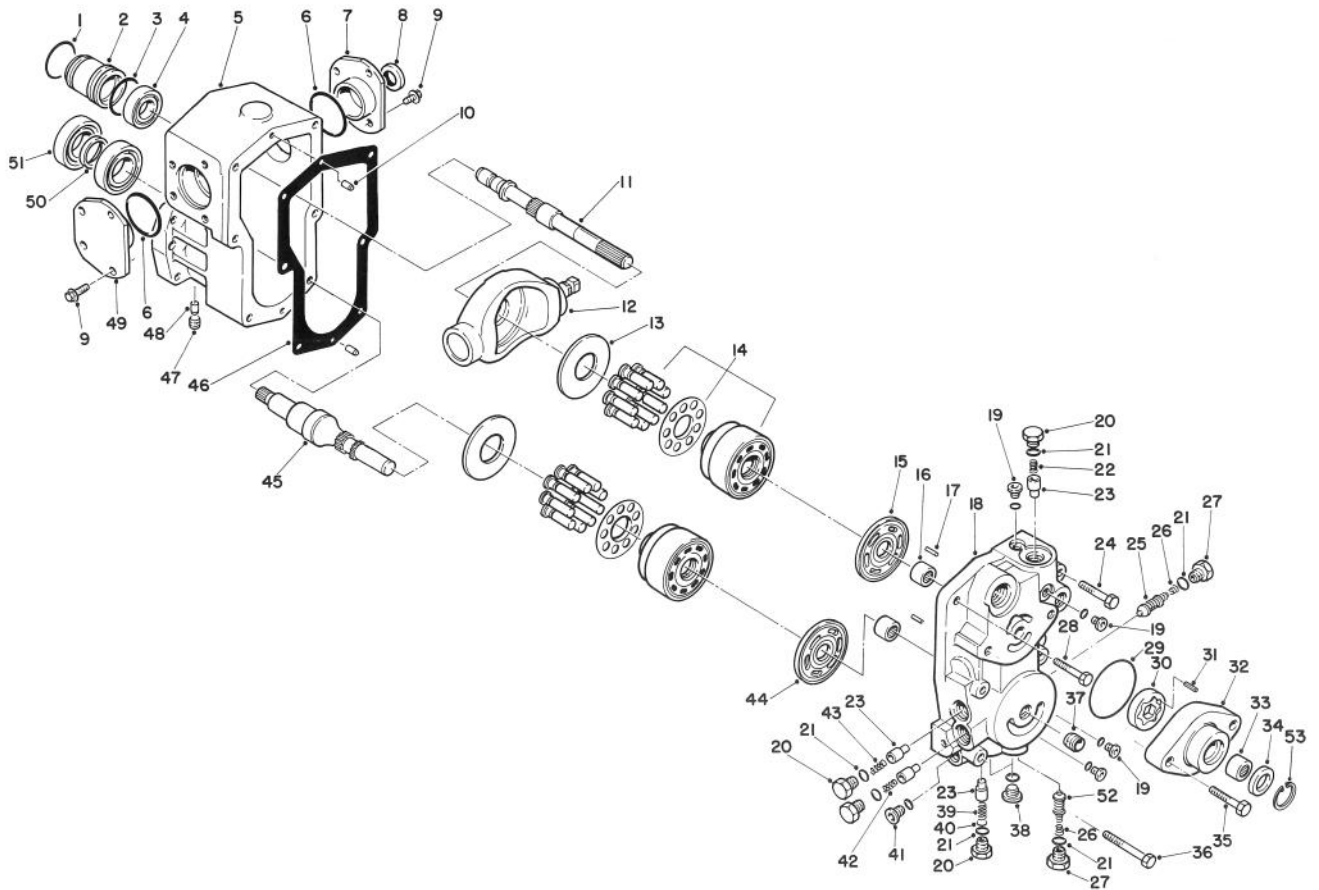
T-0421

## BRAKE ASSEMBLY

Ref. No.	Part No.	Description	No. Used
1	27-6862	Shaft-Axle, Flanged L.H.	1
*	27-6852	Shaft-Axle, Flanged R.H.	1
2	21-8330	Seal-Oil	2
3	21-8180	Bearing	2
4	24-9180	Lever, Brake, Parking	2
5	21-9450	Shield-Dust	2
6	43-6810	Spider-Torque	2
7	21-9430	Spring-Shoe Return, R.H.	2
8	28-0670	Seal-Oil	2
9	43-2690	Shoe & Lining Assembly	4
10	21-9460	Retainer-Brake, Parking	4
11	242-34	Stud-Flange, Axle	10

Ref. No.	Part No.	Description	No. Used
12	21-8360	Clip-Retaining	2
13	28-0680	Drum-Brake	2
14	21-9440	Spring-Adjusting Screw	2
15	21-9390	Socket-Adjusting Screw	2
16	21-9370	Screw-Adjusting	2
17	21-9380	Nut-Pivot	2
18	43-6800	Nut-Lock	8
19	21-9420	Spring-Shoe Return, L.H.	2
20	21-8320	Gasket-Bearing, Wheel	2
21	28-0660	Screw-Cap, Hex Hd.	8
22	24-8840	Ring-Bearing, Wheel	2
*	43-2690	Pair of Lined Brake Shoes	2

\*Not Illustrated

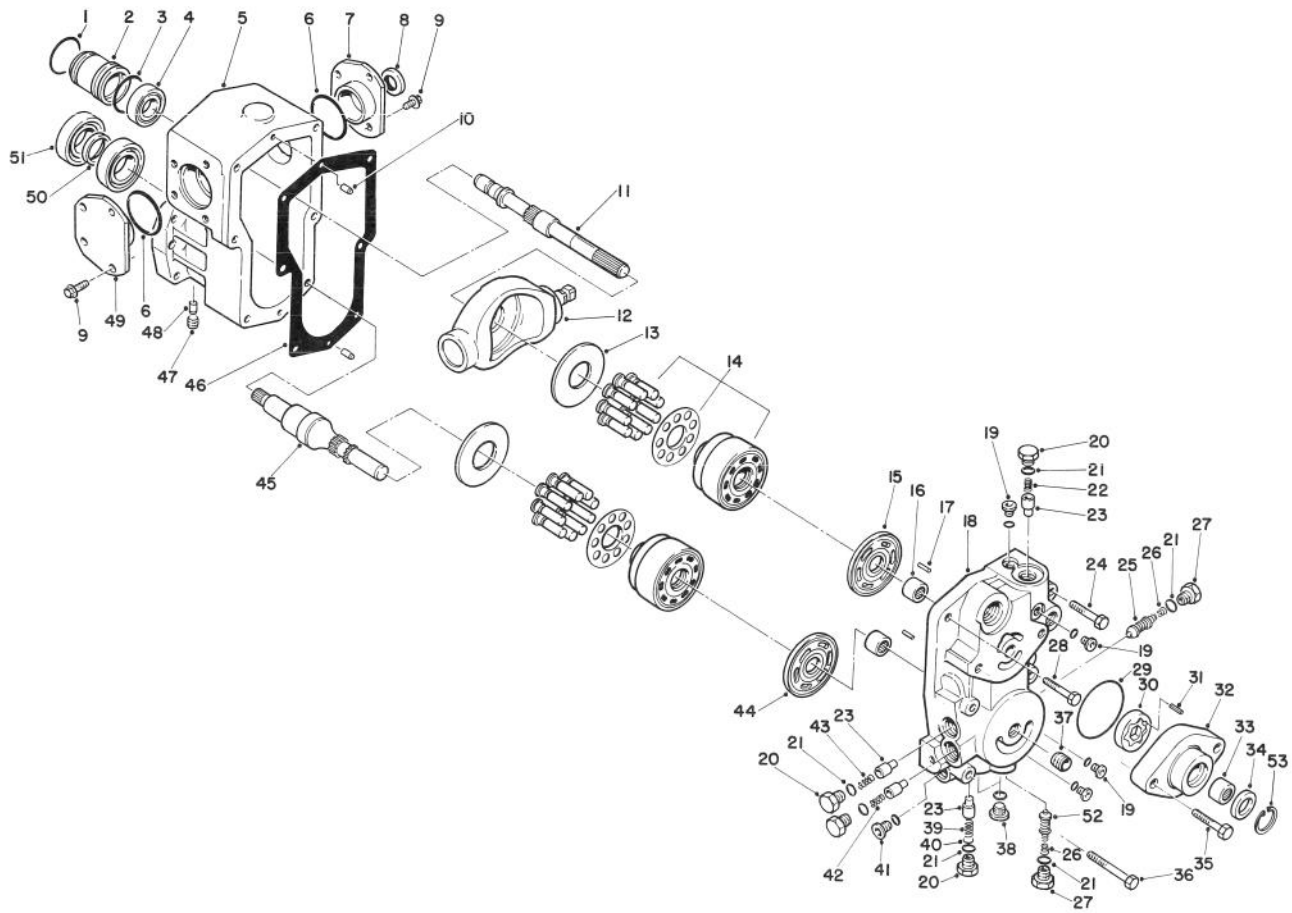


T-1006

## TRANSMISSION ASSEMBLY NO. 75-0010

Ref. No.	Part No.	Description	No. Used	Ref. No.	Part No.	Description	No. Used
1	75-0430	Ring - Retaining	1	24	75-0130	Screw - Cap Hex Hd.	3
2	75-0150	Guide - Seal	1	25	75-0300	Valve - SCR	1
3	75-0410	O-Ring	1	26	75-0140	Spring - Conical	1
4	75-0520	Bearing - Ball	1	27	75-0190	Plug - Special	2
5	75-0020	Housing	1	28	75-0120	Screw - Cap Hex Hd.	1
6	75-0210	O-Ring	2	29	75-0370	O-Ring	1
7	75-0080	Trunion	1	30	75-0360	Gerotor	1
8	75-0230	Seal - Lip	1	31	75-0350	Pin	1
9	75-0090	Screw - Cap Hex Hd.	8	32	83-4780	Housing - Charge Pump	1
10	75-0480	Pin	2	33	75-0340	Bearing - Needle	1
11	75-0420	Shaft - Pump	1	34	75-0330	Seal - Lip	1
12	75-0390	Plate - Swash	1	35	75-0110	Screw - Cap Hex Hd.	2
13	75-0400	Plate - Thrust	2	36	75-0180	Screw - Cap Hex Hd.	2
14	75-0470	Cylinder Block Kit	2	37	75-0320	Nipple	1
15	75-0380	Plate - Valve	1	38	75-0200	Plug - Straight Thread	2
16	75-0500	Bearing - Needle	2	39	75-0270	Spring	1
17	75-0510	Pin	2	40	75-0310	Shim	1
18	75-0040	Center Section	1	41	75-0070	Plug	1
19	75-0170	Plug - Straight Thread	4	42	75-0280	Spring	1
20	75-0060	Plug	4	43	75-0290	Spring	1
21	75-0240	O-Ring	6	44	75-0490	Plate - Valve	1
22	75-0250	Spring	1	45	75-0440	Shaft - Motor	1
23	75-0260	Valve - Relief	4	46	75-0030	Gasket - Housing	1

\*Not Illustrated



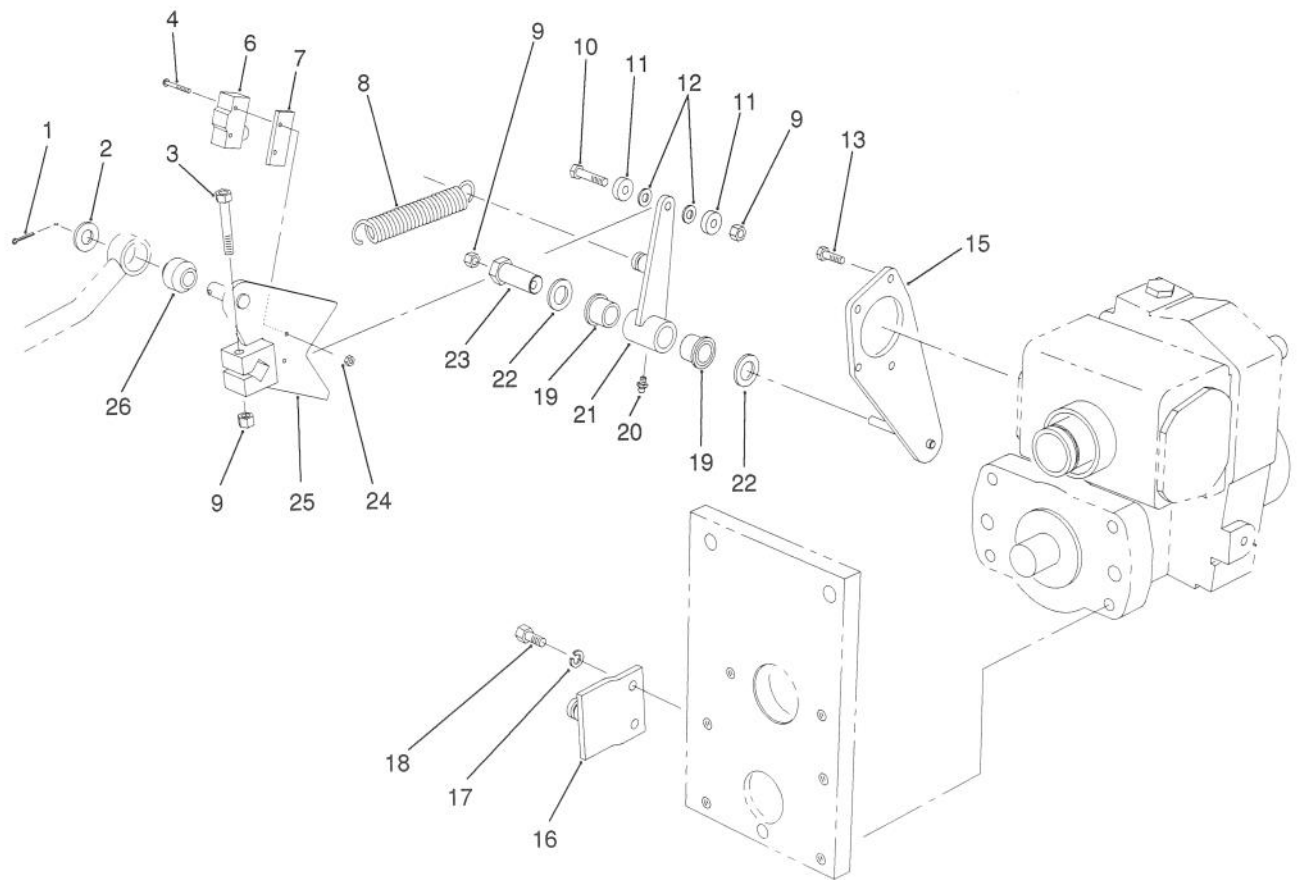
T-1006

## TRANSMISSION ASSEMBLY NO. 75-0010 (Continued)

Ref. No.	Part No.	Description	No. Used
47	75-0160	Plug - Pipe	1
48	75-0220	Pin	2
49	75-0100	Trunion	1
50	75-0450	Collar	1

Ref. No.	Part No.	Description	No. Used
51	75-0460	Bearing - Ball	2
52	75-6930	Valve - SCR	1
53	32120-74	Ring - Retaining	1

\*Not Illustrated

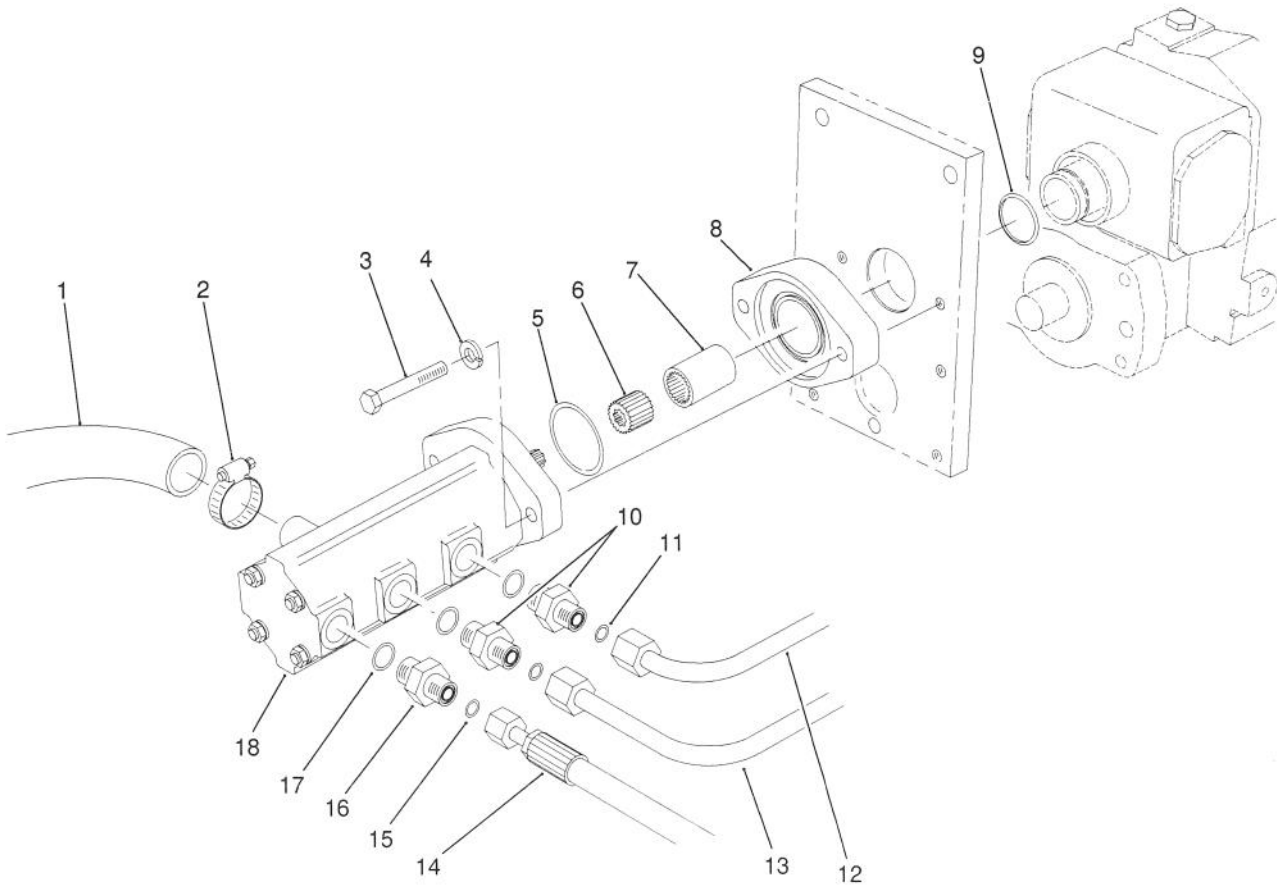


T-1051

## TRACTION CONTROL ASSEMBLY

Ref. No.	Part No.	Description	No. Used
1	3272-10	Pin - Cotter	1
2	3256-26	Washer - Flat	1
3	322-10	Screw - Cap Hex. Hd.	1
4	32105-21	Screw	2
6	29-6162	Switch - Neutral	1
7	75-4130	Plate - Switch	1
8	76-9430	Spring - Extension	1
9	3296-29	Nut - Lock	3
10	322-7	Screw - Cap Hex. Hd.	1
11	251-259	Bearing - Ball	2
12	75-5470	Spacer	2
13	32144-22	Screw - Cap Hex. Hd.	4
15	75-4080	Plate - Traction	1

Ref. No.	Part No.	Description	No. Used
16	75-4140	Bracket - Spring	1
17	3253-4	Washer - Lock	2
18	322-3	Screw - Cap Hex. Hd.	2
19	256-113	Bushing - Flange	2
20	302-5	Fitting - Grease	1
21	75-4090	Switch Arm Assembly (Incl. Ref. #19 & 20)	1
22	3-6498	Washer - Thrust	2
23	76-8640	Stud - Traction	1
24	3296-9	Nut - Hex.	2
25	75-4100	Control - Pump	1
26	23-2270	Bushing - Rubber	1

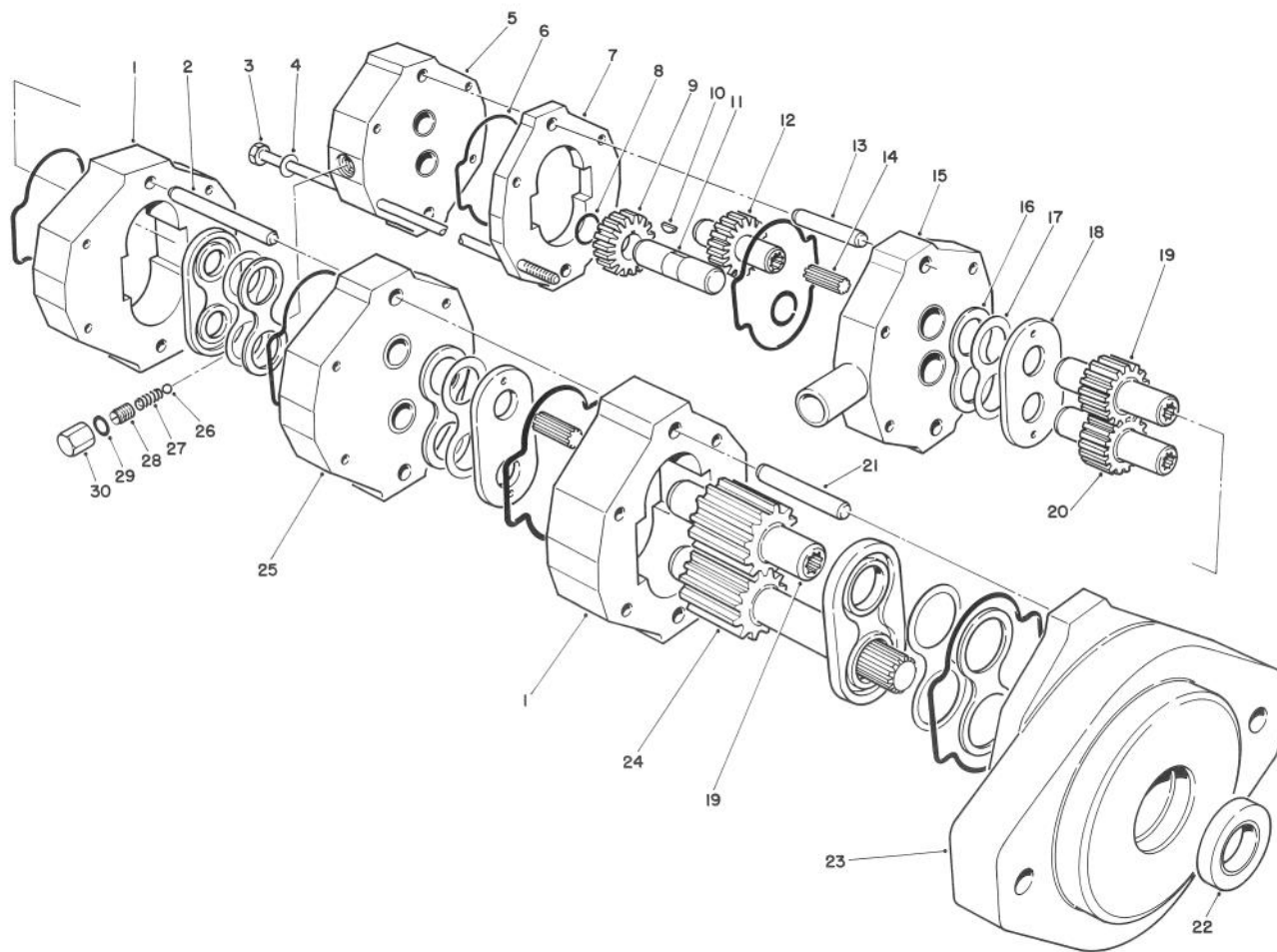


T-1052

## GEAR PUMP INSTALLATION ASSEMBLY

Ref. No.	Part No.	Description	No. Used
1	75-6870	Hose - Suction	1
2	2412-34	Clamp - Hose	1
3	323-12	Screw - Cap Hex. Hd.	2
4	3253-5	Washer - Lock	2
5	237-162	Seal - O-Ring	1
6	75-2190	Sleeve - Pump	1
7	75-2430	Coupling - Transmission	1
8	75-4400	Adaptor - Transmission	1
9	237-163	Seal - O-Ring	1
10	340-4	Fitting - Hydraulic Straight (Incl. Ref. #11 & 17)	2

Ref. No.	Part No.	Description	No. Used
11	237-30	Seal - O-Ring	2
12	75-5240	Tube - Hydraulic	1
13	75-5250	Tube - Hydraulic	1
14	75-6240	Hose - Hydraulic	1
15	237-22	Seal - O-Ring	1
16	340-3	Fitting - Hydraulic Straight (Incl. Ref. #15 & 17)	1
17	237-79	Seal - O-Ring	3
18	75-0800	Gear Pump Assembly	1

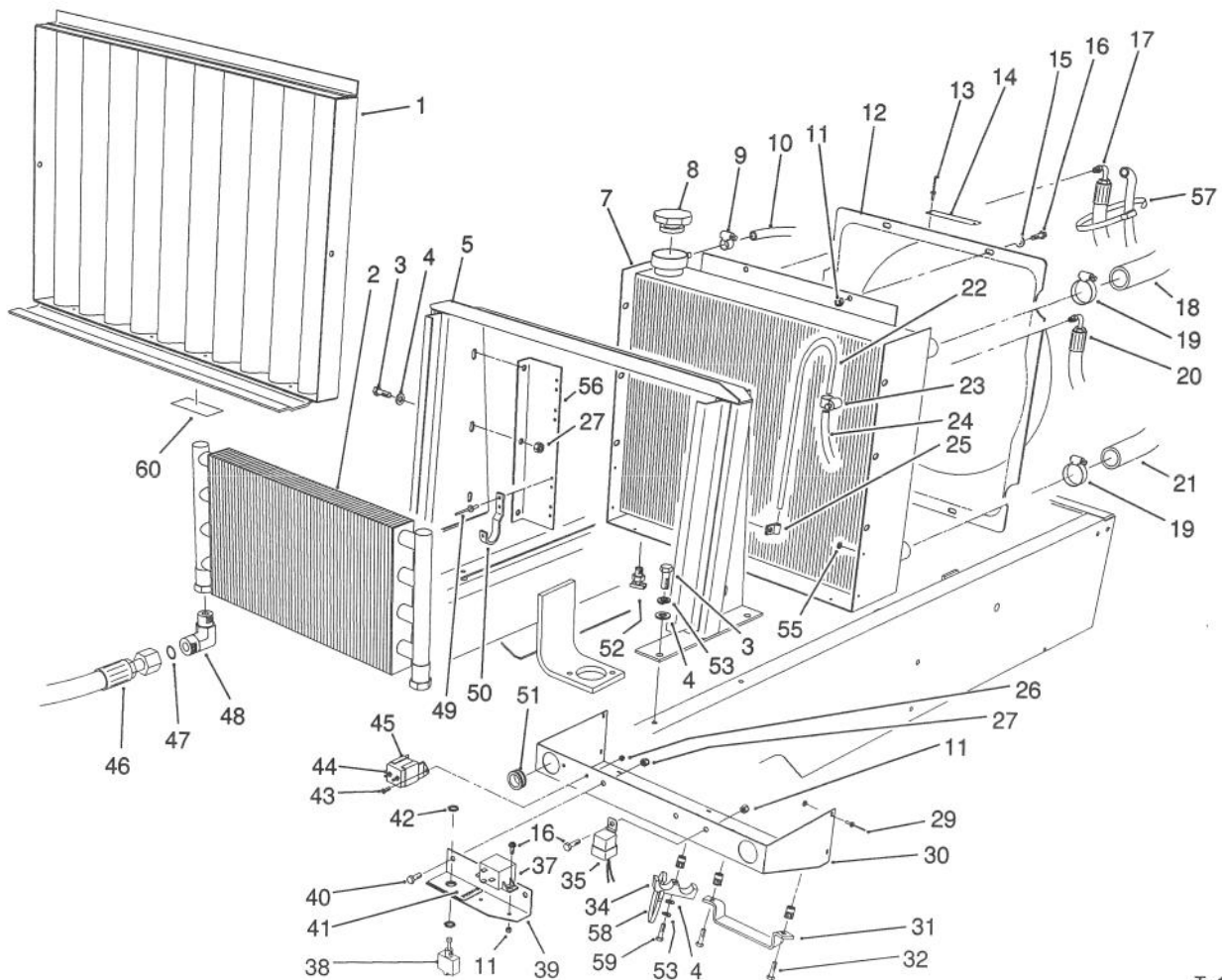


T-1029

## HYDRAULIC PUMP NO. 75-0800

Ref. No.	Part No.	Description	No. Used
1	354-54	Plate - Gear	2
2	354-56	Pin - Dowel	2
3	354-64	Screw - Cap Hex. Hd.	4
4	354-16	Washer	4
5	354-63	Cover Assembly	1
6	353-922	Seal - Ring	6
7	354-60	Plate - Gear	1
8	353-886	Ring - Retaining	2
9	354-62	Gear	1
10	354-61	Key - Woodruff	1
11	354-59	Shaft - Drive	1
12	354-65	Idler Shaft Assembly	1
13	354-13	Pin- Dowel	2
14	354-5	Coupling	2
15	354-58	Plate Assembly	1
16	354-69	Seal - Load Hi Pressure	4

Ref. No.	Part No.	Description	No. Used
17	354-67	Seal - Pre-Load Hi Pressure	4
18	354-68	Plate - Load	4
19	354-66	Shaft - Idler	2
20	354-57	Gear - Drive	1
21	354-14	Pin - Dowel	2
22	354-15	Seal - Oil	1
23	354-53	Pump Body Assembly	1
24	354-52	Shaft - Drive	1
25	354-55	Plate Assembly (Incl. Ref. #26-30)	1
26	354-38	Ball - Valve	1
27	354-39	Spring - Compression	1
28	354-37	Adjuster - Valve	1
29	354-35	Gasket	1
30	354-36	Cap - Adjuster Valve	1



T-1053

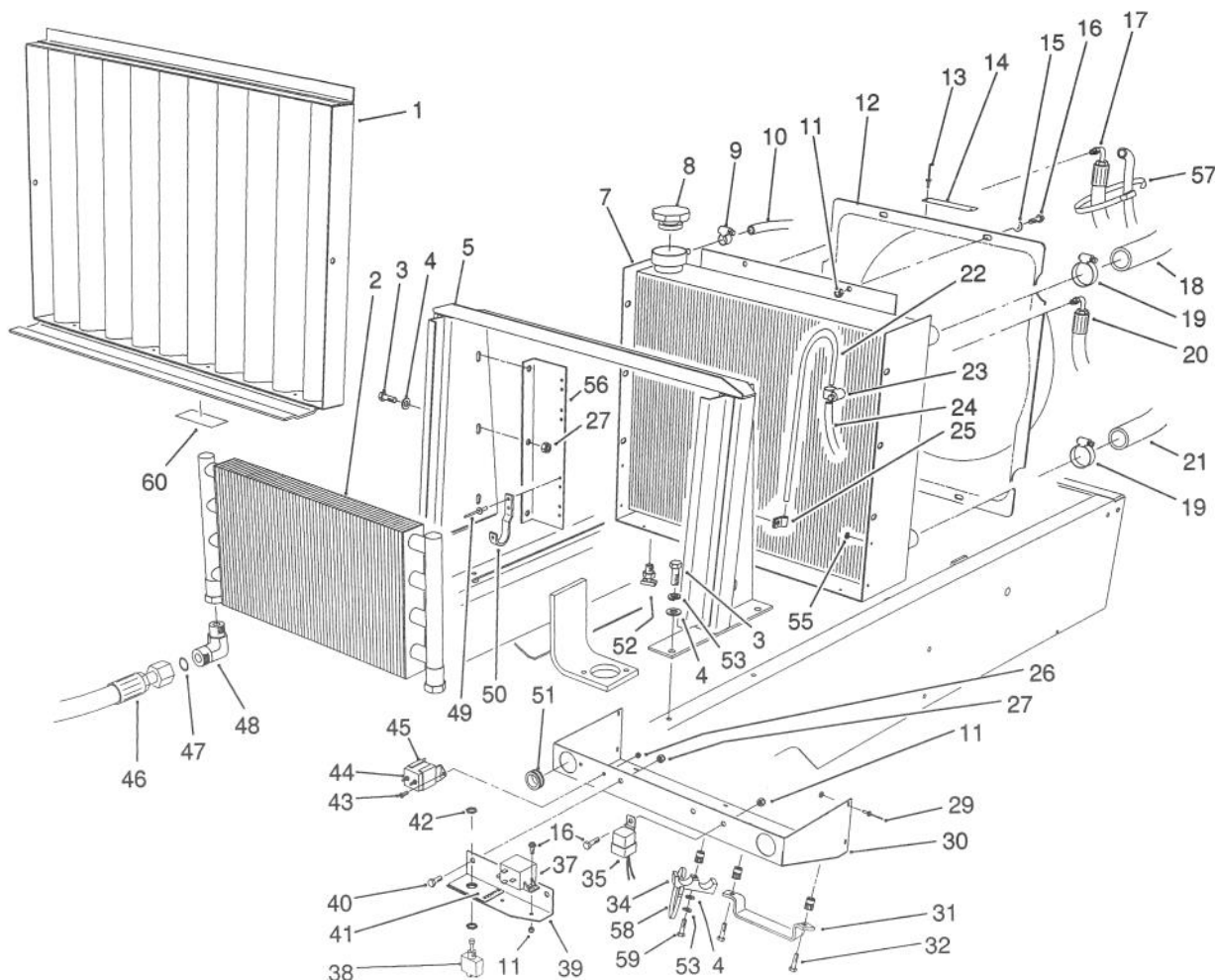
## RADIATOR ASSEMBLY

Ref. No.	Part No.	Description	No. Used
1	75-4060	Screen - Radiator	1
2	75-1040	Cooler - Oil	1
3	322-5	Screw - Cap Hex. Hd.	10
4	3256-23	Washer - Flat	12
5	75-4260	Support - Radiator	1
7	75-6290	Radiator	1
8	66-3240	Cap - Radiator	1
9	2412-108	Clamp - Hose	1
10	75-2850	Hose - Expansion Tank	1
11	3296-42	Nut - Lock	7
12	75-4350	Shroud - Fan	1
13	3290-271	Rivet - Pop	2
14	76-8750	Plate - Caution	1
15	3256-22	Washer - Flat	4
16	321-4	Screw - Cap Hex. Hd.	7
17	75-6170	Hose - Hydraulic	1
18	75-2240	Hose - Radiator Upper	1
19	2412-3	Clamp - Hose	4
20	75-6150	Hose - Hydraulic	1
21	75-2260	Hose - Radiator Lower	1
22	66-3180	Tube - Vent	1
23	2412-74	Clamp - Hose	1
24	75-4701	Hose - Fuel Vent	1

Ref. No.	Part No.	Description	No. Used
25	2412-103	Clamp - R	1
26	32149-7	Nut - Lock	2
27	3296-29	Nut - Lock	10
29	3269-29	Rivet - Pop	7
30	75-4310	Shield - Radiator	1
31	75-2860	Bracket - Hose	1
32	322-4	Screw - Cap Hex. Hd.	2
34	56-7974	Clamp - Tube	1
35	63-7590	Relay - Starter	1
37	66-8800	Relay - Glow Plug	1
38	75-1020	Switch - Backlap (Incl. Ref. #42)	1
39	75-3390	Bracket - Backlap	1
40	322-2	Screw - Cap Hex. Hd.	2
‡41	75-0750	Decal - Backlap Switch (English)	1
42	218-498	Nut - Lock	2
43	32105-8	Screw - Cap Hex. Hd.	2
44	67-4700	Resistor - Glow	1
45	70-8560	Retainer - Glow Resistor	1
46	75-6140	Hose - Hydraulic R.H.	1
*	75-6160	Hose - Hydraulic L.H.	1
47	237-65	Seal - O-Ring	2

\*Not Illustrated

‡For different language versions of this part, see International Decal Cross Reference.



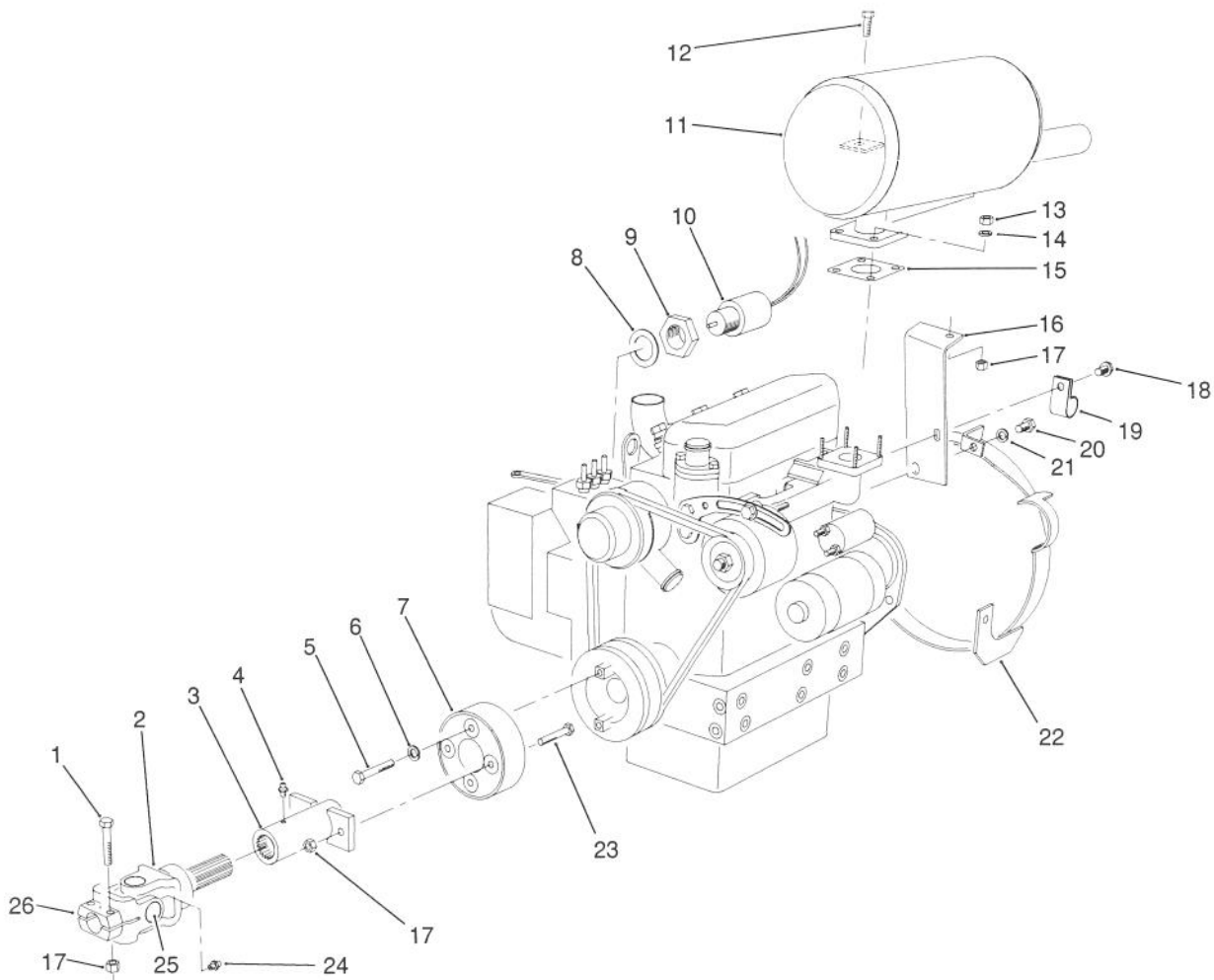
T-1053

## RADIATOR ASSEMBLY (Continued)

Ref. No.	Part No.	Description	No. Used	Ref. No.	Part No.	Description	No. Used
48	340-108	Fitting - Hydraulic 90° (Incl. Ref. #47)	2	55	3256-13	Washer - Flat	7
49	3269-15	Rivet - Pop	8	56	75-5160	Plate - Support	2
50	75-0930	Hook - Oil Cooler	4	57	3290-378	Tie - Cable	1
51	240-3	Grommet	2	58	3333-975	Tie - Cable	1
52	304-46	Drain - Radiator	1	59	322-6	Screw - Cap Hex. Hd.	1
53	3253-4	Washer - Lock	5	‡60	83-7450	Decal - Down (English)	1

\*Not Illustrated

‡For different language versions of this part, see International Decal Cross Reference.



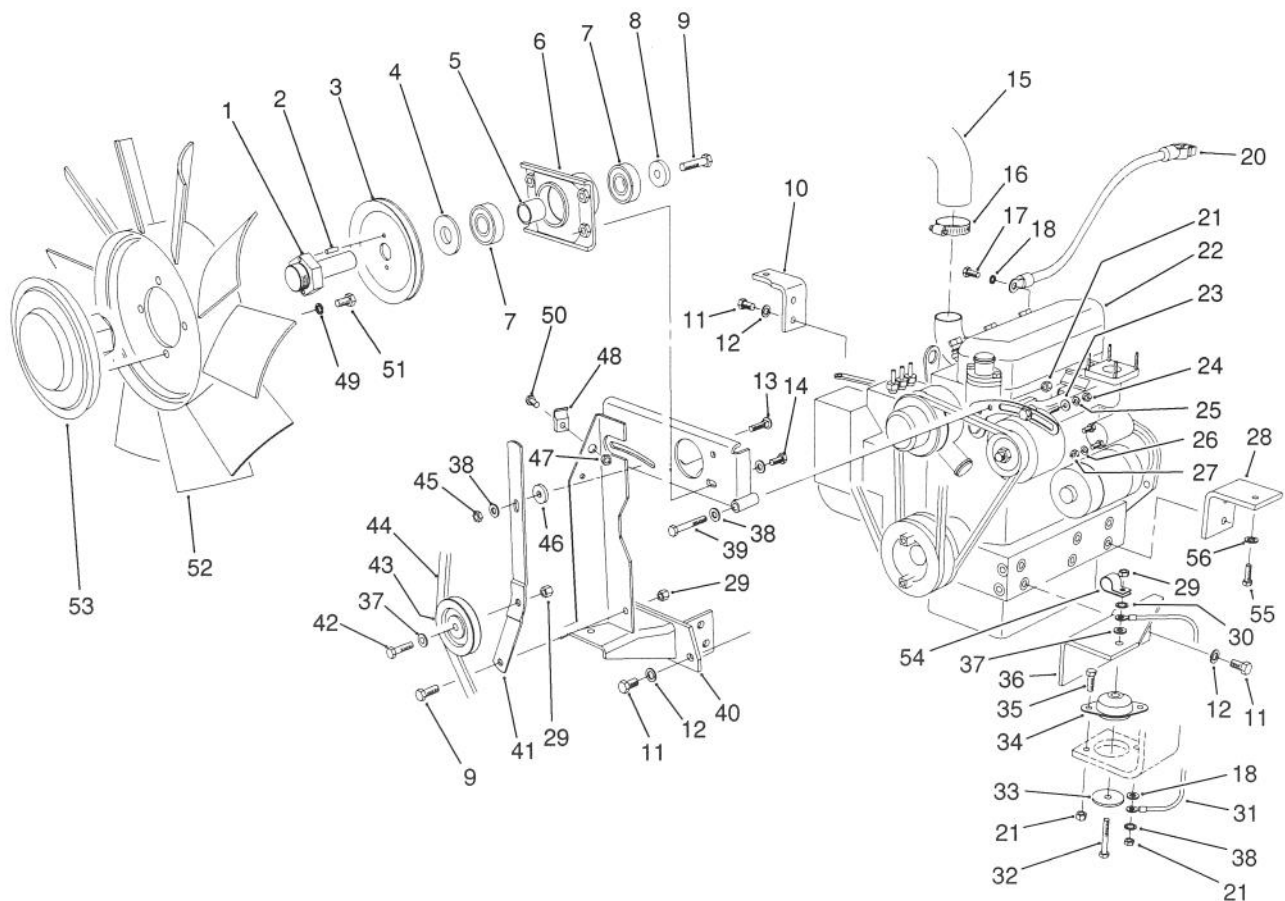
T-1054

## MUFFLER & PUMP DRIVE ASSEMBLY

Ref. No.	Part No.	Description	No. Used
1	322-9	Screw - Cap Hex. Hd.	2
2	75-6410	Yoke - Shaft	1
3	75-6420	Yoke - Slip Tube	1
4	62-3880	Fitting - Grease	1
5	43-3220	Screw - Cap Hex. Hd.	2
6	48-9570	Washer - Lock	2
7	75-4630	Coupling - Driveshaft	1
8	43-2740	Gasket	1
9	43-2750	Nut - Lock	1
10	63-7440	Solenoid - Stop	1
11	75-1070	Muffler	1
*	75-6880	Screen - Spark Arrester (Optional)	1
12	322-4	Screw - Cap Hex. Hd.	1

Ref. No.	Part No.	Description	No. Used
13	48-7930	Nut - Lock	4
14	42-9850	Washer - Lock	4
15	53-8130	Gasket - Muffler	1
16	75-4490	Bracket - Muffler	1
17	3296-29	Nut - Lock	5
18	67-2340	Screw - Hex. Washer Hd.	1
19	2412-81	Clamp - R	1
20	43-0090	Screw - Cap Hex. Hd.	3
21	48-9590	Washer - Lock	1
22	75-0940	Guard - Flywheel	1
23	322-12	Screw - Cap Hex. Hd.	2
24	62-3820	Fitting - Grease	1
25	54-9180	Kit - U-Joint	1
26	54-9040	Yoke - End	1

\*Not Illustrated

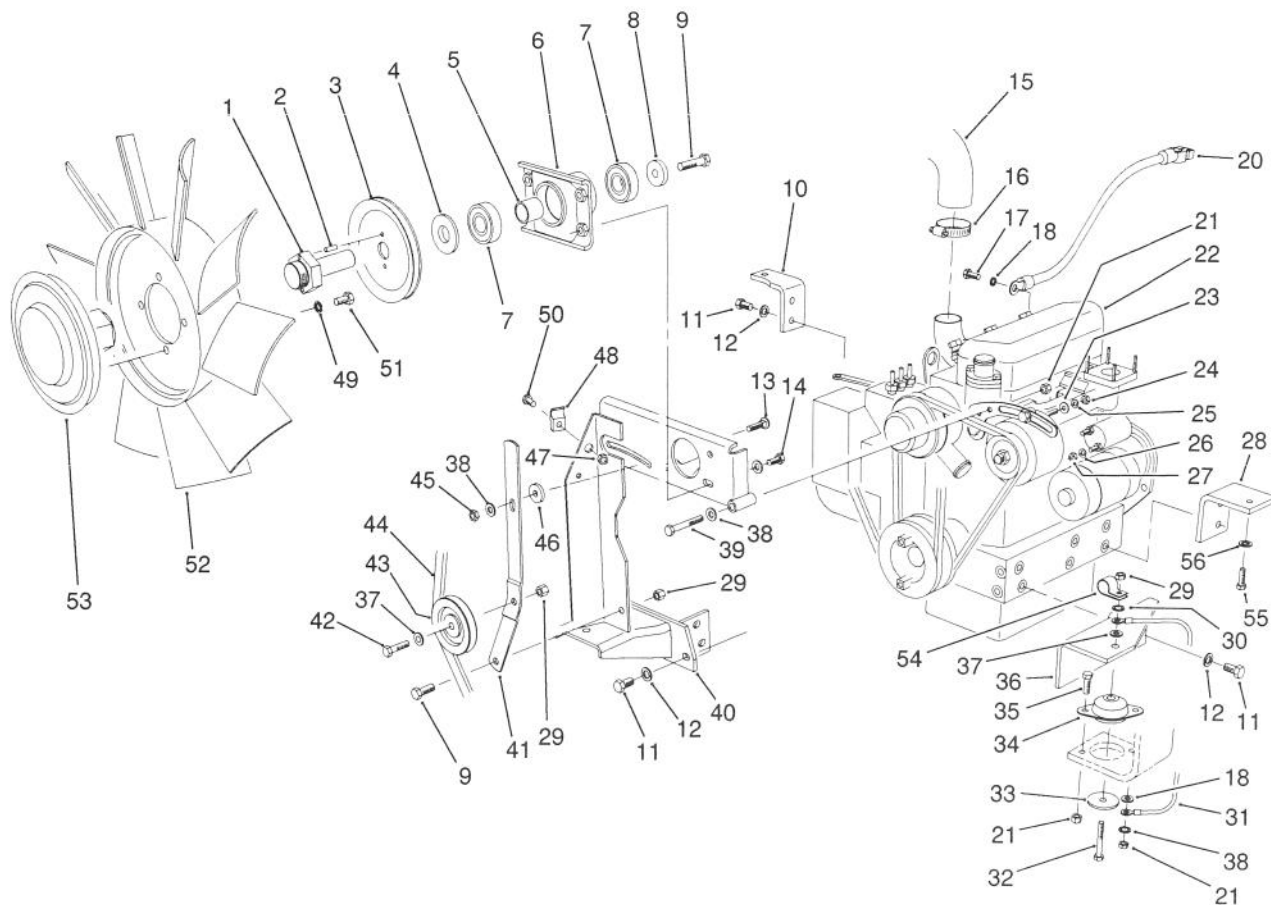


T-1055

## ENGINE INSTALLATION ASSEMBLY

Ref. No.	Part No.	Description	No. Used
1	75-6380	Shaft - Fan	1
2	32121-2	Pin - Roll	2
3	75-6390	Pulley - Fan	1
4	47-0110	Spacer - Spindle	1
5	75-5310	Spacer - Bearing	1
6	75-4450	Hub - Fan Drive	1
7	251-318	Bearing - Ball	2
8	67-1630	Spacer - Fan	1
9	323-6	Screw - Cap Hex. Hd.	2
10	71-2910	Bracket - Engine R.H. Rear	1
11	63-7790	Screw - Cap Hex. Hd.	8
12	48-9590	Washer - Lock	10
13	3230-2	Bolt - Carriage	1
14	322-3	Screw - Cap Hex. Hd.	4
15	75-2460	Hose - Air Cleaner	1
16	2412-92	Clamp - Hose	1
17	48-7700	Screw - Cap Hex. Hd.	1
18	3255-8	Washer - Lock	2
20	75-1360	Cable - Battery (Ground)	1
21	3296-29	Nut - Lock	9
22	75-0900	Engine Assembly	1
23	5-3637	Washer - Flat	1
24	43-5970	Nut - Hex.	1

Ref. No.	Part No.	Description	No. Used
25	43-5920	Washer - Lock	1
26	42-9850	Washer - Lock	2
27	57-6390	Nut - Lock	2
28	75-2830	Bracket - Engine L.H. Rear	1
29	3296-39	Nut - Lock	5
30	3255-9	Washer - Lock E.T.L.W.	1
31	70-8220	Cable - Ground	1
32	323-11	Screw - Cap Hex. Hd.	3
33	63-7400	Washer - Flat	4
34	63-7140	Mount - Engine	4
35	322-5	Screw - Cap Hex. Hd.	8
36	66-2320	Bracket - Engine L.H. Front	1
37	3256-24	Washer - Flat	4
38	3256-23	Washer - Flat	5
39	322-11	Screw - Cap Hex. Hd.	1
40	75-4220	Bracket - Fan	1
41	63-6720	Bracket - Fan Idler	1
42	323-8	Screw - Cap Hex. Hd.	1
43	63-8140	Pulley - Idler	1
44	75-1380	Belt - V	1
45	32149-1	Nut - Lock	1
46	27-9560	Spacer	1
47	3296-42	Nut - Lock	1

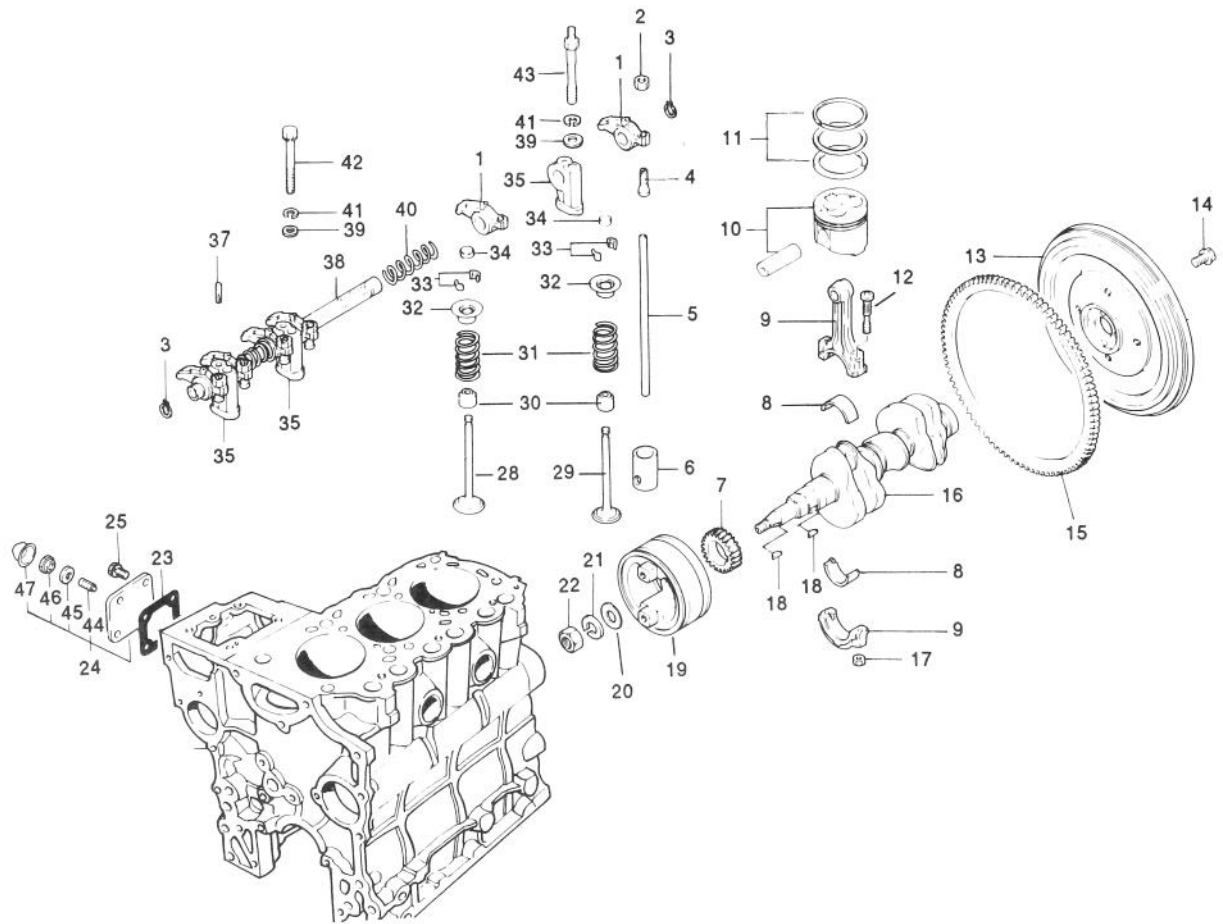


T-1055

## ENGINE INSTALLATION ASSEMBLY (Continued)

Ref. No.	Part No.	Description	No. Used
48	3-6657	Clamp - Cable	1
49	3253-4	Washer - Lock	4
50	321-4	Screw - Cap Hex. Hd.	1
51	322-2	Screw - Cap Hex. Hd.	4
52	75-3780	Fan	1

Ref. No.	Part No.	Description	No. Used
53	74-5520	Clutch - Fan	1
54	2412-126	Clamp - R	1
55	323-9	Screw - Cap Hex. Hd.	1
56	3253-21	Washer - Lock	1

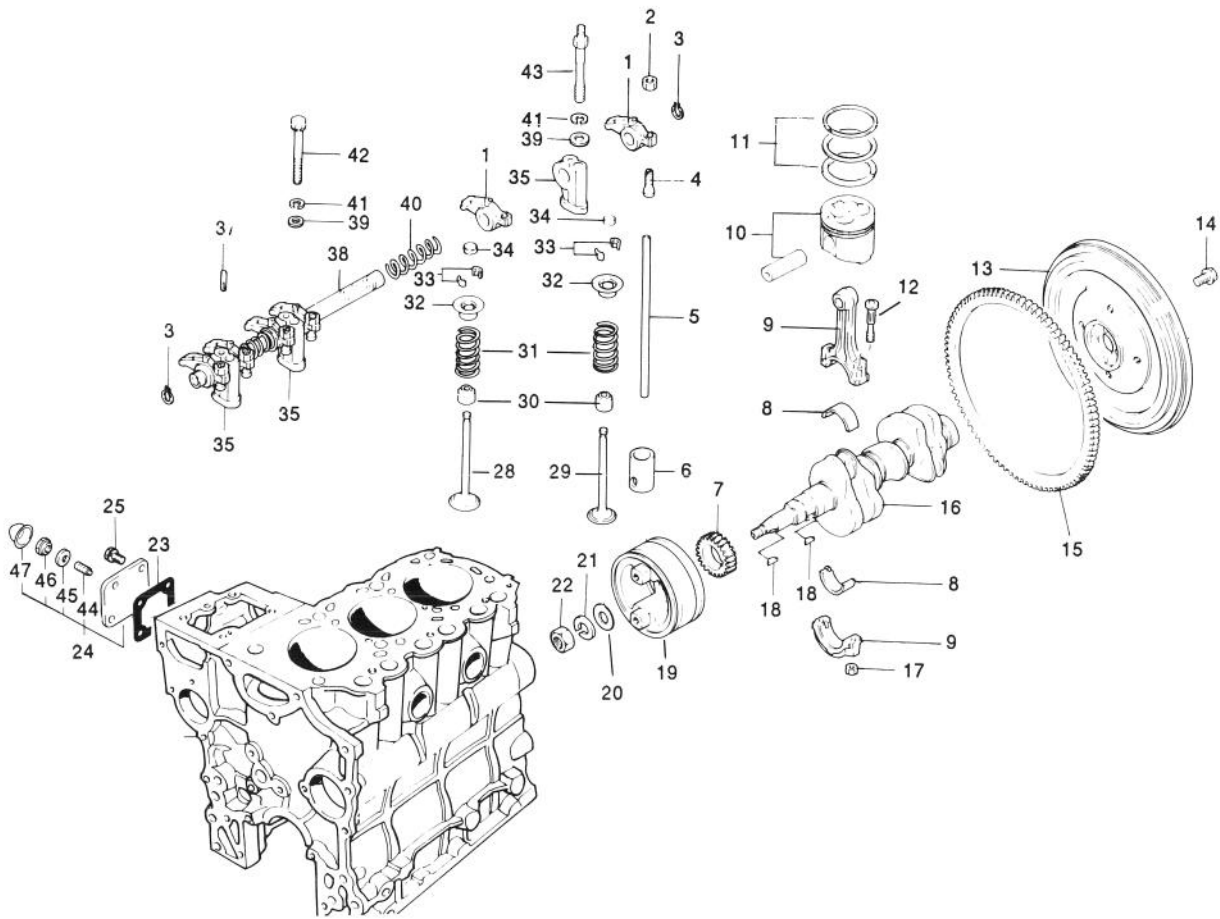


T-0565

## VALVES AND CRANKSHAFT ASSEMBLY

Ref. No.	Part No.	Description	No. Used	Ref. No.	Part No.	Description	No. Used
1	67-3160	Arm-Rocker	6	14	67-2990	Bolt	4
2	67-3230	Nut - Jam	6	15	67-2980	Gear - Ring	1
3	67-3240	Snap Ring	2	16	67-2920	Crankshaft	1
4	67-3210	Screw - Adjusting	6	17	42-9590	Nut	6
5	67-3150	Rod-Push	6	18	56-0480	Key - Woodruff	2
6	67-3120	Tappet	6	19	67-2930	Pulley - Crankshaft	1
7	67-2910	Gear	1	20	67-2950	Washer	1
8	75-5010	Bearing Set STD	3	21	67-2960	Washer - Lock	1
*	67-2890	Bearing Set 0.25 mm US	3	22	67-2940	Nut - Jam	1
*	67-2900	Bearing Set 0.50 mm US	3	23	67-4310	Gasket	1
9	67-2850	Rod Assembly-Connecting (Incl. Ref. #12 & 17)	3	24	75-5110	Cover Assy. (Incl. Ref. #44-47)	1
10	75-5080	Piston & Pin Set STD	3	25	42-9440	Bolt W/Washer	4
*	75-5090	Piston & Pin Set 0.25 mm OS	3	28	67-3130	Valve - Intake	3
*	75-5100	Piston & Pin Set 0.50 mm OS	3	29	67-3140	Valve - Exhaust	3
11	75-5050	Ring Set STD	3	30	42-7870	Seal	6
*	75-5060	Ring Set 0.25 mm OS	3	31	67-3110	Spring	6
*	75-5070	Ring Set 0.50 mm OS	3	32	67-3100	Retainer	6
12	67-2860	Bolt	6	33	42-7860	Lock	12
13	67-2970	Flywheel Assembly (Incl. Ref. #14)	1	34	67-3180	Cap	6
				35	67-3200	Stay - Rocker	3
				37	67-3220	Pin	1
				38	67-3190	Rocker Shaft Assembly	1

\*Not Illustrated

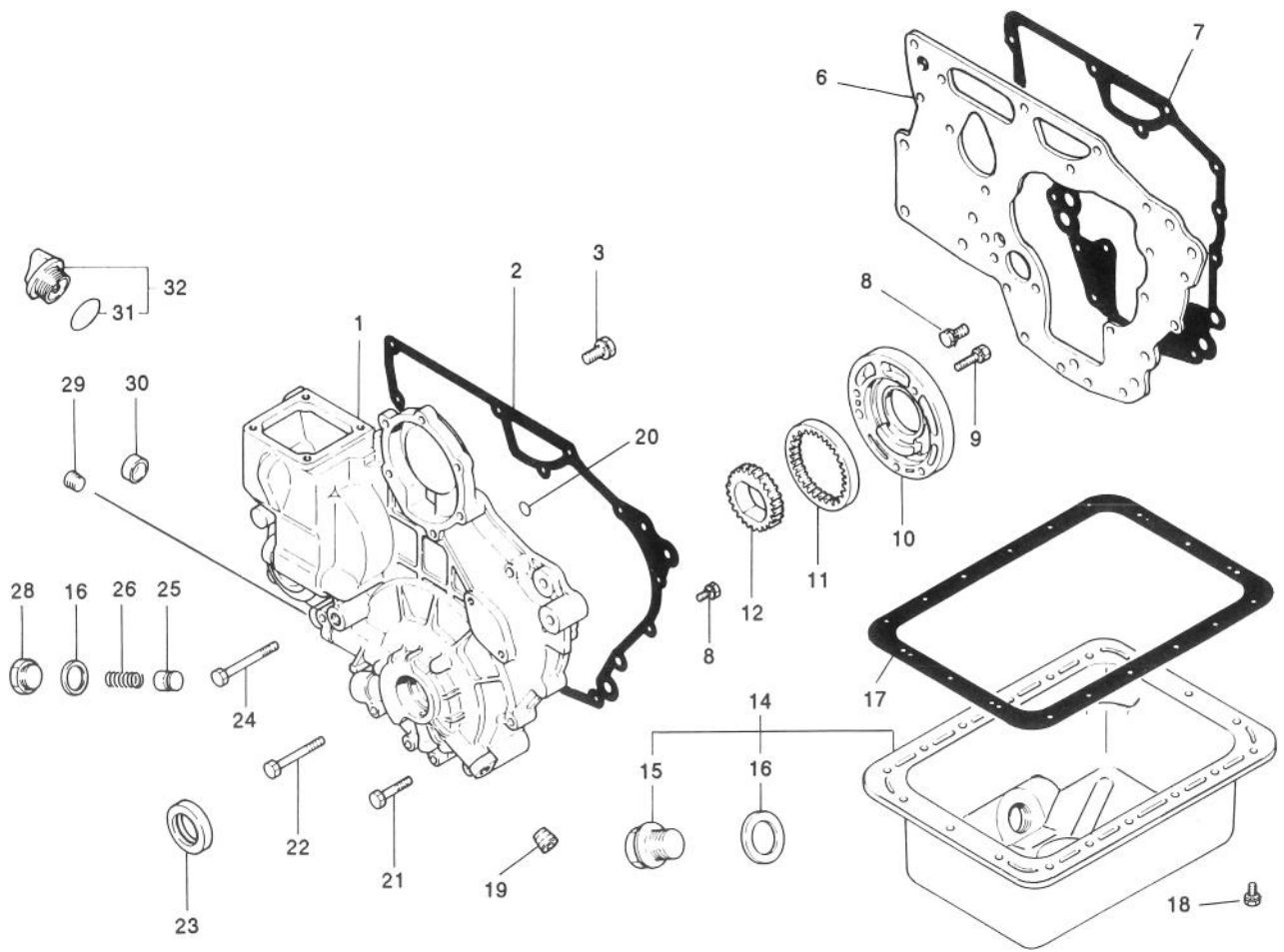


T-0565

## VALVES AND CRANKSHAFT ASSEMBLY (Continued)

Ref. No.	Part No.	Description	No. Used
39	42-9660	Washer	3
40	67-3170	Spring	2
41	67-3260	Washer	3
42	42-9510	Bolt	1
43	67-3250	Bolt-Rocker Stay	2

Ref. No.	Part No.	Description	No. Used
44	43-3160	Screw - Adjusting	1
45	75-5120	Gasket	1
46	43-5960	Nut - Special	1
47	43-2820	Cap - Sealing	1



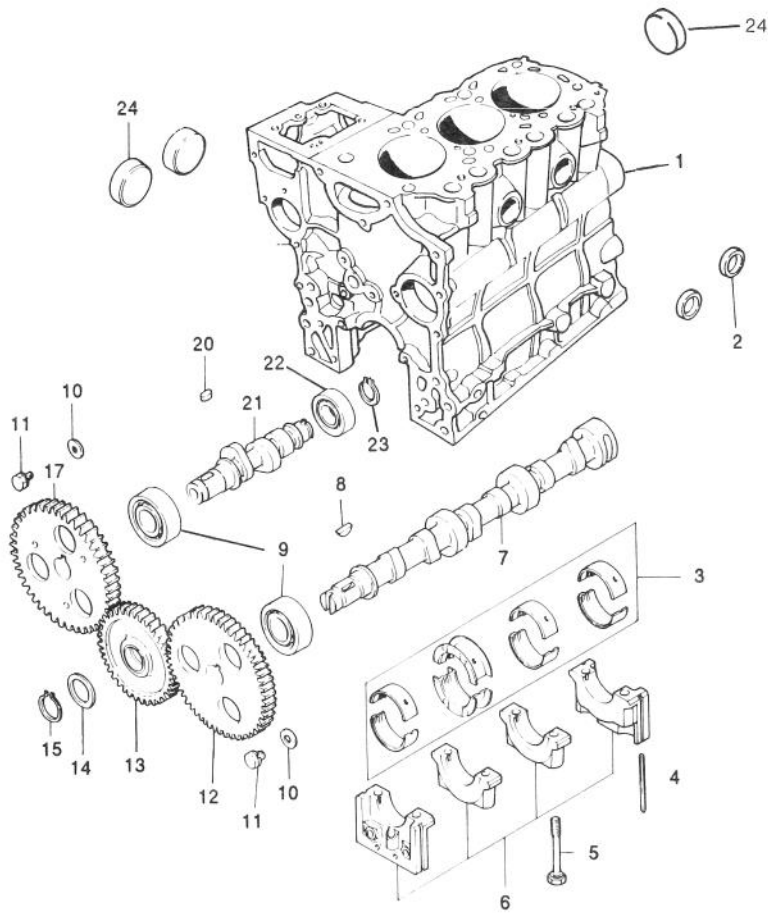
T-0567

## CRANKCASE ASSEMBLY

Ref. No.	Part No.	Description	No. Used
1	75-4920	Case	1
2	67-2580	Gasket - Case	1
3	67-2340	Bolt W/Washer	3
6	67-2310	Plate - Front	1
7	67-2320	Gasket - Plate	1
8	42-9440	Bolt W/Washer	11
9	67-2560	Bolt W/Washer	3
10	67-2550	Housing - Oil Pump	1
11	67-2540	Gear - Outer	1
12	67-2530	Gear - Inner	1
14	75-4910	Oil Pan Assembly (Incl. Ref. #15-16)	1
15	42-9260	Plug - Drain	1
16	42-7290	Gasket - Drain	2
17	67-2480	Gasket - Oil Pan	1
18	42-9490	Bolt W/Washer	18

Ref. No.	Part No.	Description	No. Used
19	42-7210	Plug-Taper	1
20	67-2630	Seal - O-Ring	2
21	67-2600	Bolt	3
22	67-2610	Bolt	4
23	67-2590	Seal - Oil	1
24	67-2620	Bolt	1
25	67-2500	Plunger - Relief	1
26	67-2510	Spring - Relief	1
28	67-2520	Plug	1
29	67-2570	Plug - Taper	1
30	67-2640	Cap	1
31	67-2660	Seal - O-Ring	1
32	67-2650	Oil Fill Cap Assembly (Incl. Ref. #31)	1
*	75-5040	Gasket Kit (Incl. Ref. #2, 7, 16 & 17)	1

\*Not Illustrated



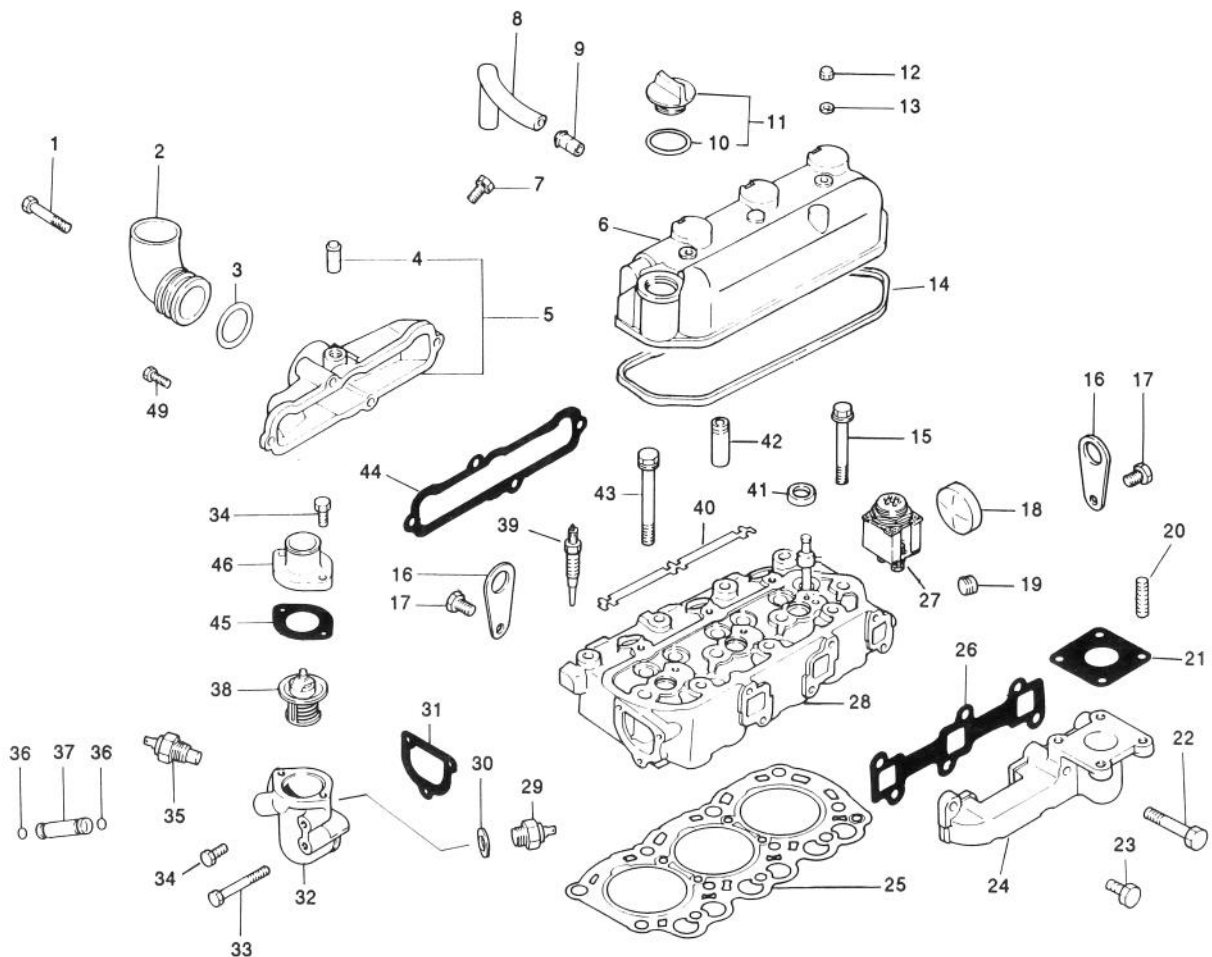
T-0564

## CAMSHAFT ASSEMBLY

Ref. No.	Part No.	Description	No. Used
1	75-4960	Block Assembly (Incl. Ref. #2, 5, 6 & 24)	1
2	42-7080	Cap	2
3	75-4900	Bearing Set STD	1
*	67-2410	Bearing Set 0.25 mm US	1
*	67-2420	Bearing Set 0.50 mm US	1
4	67-2200	Seal	4
5	67-2250	Bolt	8
6		Gap Assembly	1
7	67-3010	Cam Shaft	1
8	56-0480	Key - Woodruff	1
9	67-3030	Bearing	2

Ref. No.	Part No.	Description	No. Used
10	67-3000	Washer	2
11	42-9490	Bolt W/Washer	2
12	67-3020	Gear	1
13	67-3090	Gear Assembly	1
14	67-3040	Plate	1
15	56-1060	Snap Ring	1
17	67-3070	Gear	1
20	42-7840	Key	1
21	67-3060	Shaft	1
22	67-3050	Bearing	1
23	67-3080	Snap Ring	1
24	56-0020	Plug	3

\*Not Illustrated

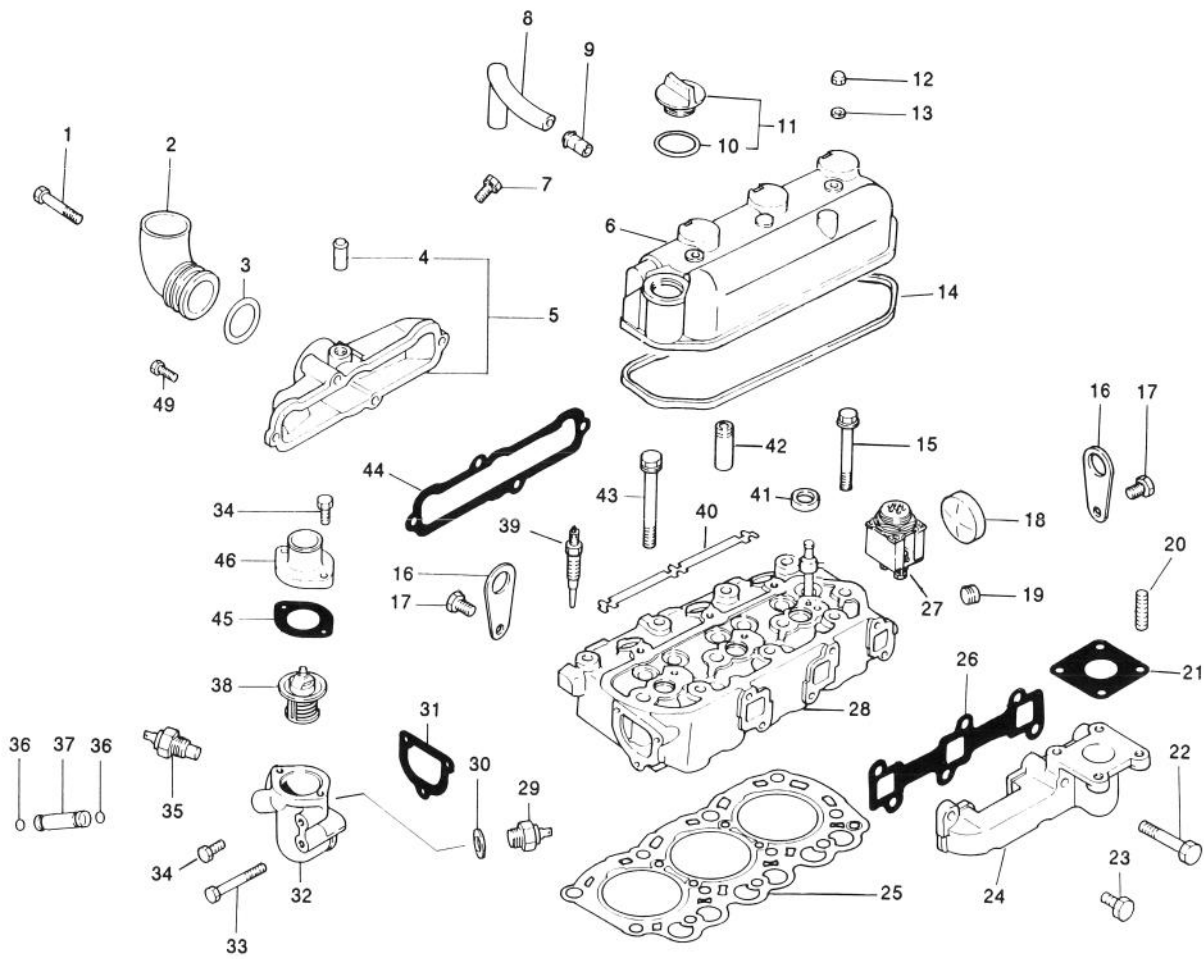


T-0566

## CYLINDER HEAD ASSEMBLY

Ref. No.	Part No.	Description	No. Used
1	67-4400	Bolt	2
2	67-4520	Pipe	1
3	67-4540	Seal - O-Ring	1
4	42-7510	Pipe	1
5	67-4530	Cover - Intake	1
6	67-2750	Cover Assembly (Incl. Ref. #9)	1
7	42-9430	Bolt W/Washer	1
8	67-2670	Hose - Breather	1
9	42-7510	Pipe	1
10	67-2660	Seal - O-Ring	1
11	67-2650	Cap - Oil Filler	1
12	67-2770	Nut - Cap	2
13	67-2780	Washer	2
14	67-2760	Gasket	1
15	67-2740	Bolt - Flange	3
16	67-2680	Hanger -Engine	2
17	67-2340	Bolt W/Washer	4
18	56-0020	Plug - Expansion	1
19	67-2570	Plug - Taper	1
20	42-9570	Stud	4
21	42-9110	Gasket	1
22	67-4580	Bolt	2

Ref. No.	Part No.	Description	No. Used
23	67-4590	Bolt	4
24	67-4560	Manifold - Exhaust	1
25	75-4950	Gasket - Cylinder Head	1
26	67-4570	Gasket - Exhaust Manifold	1
27	67-4700	Lamp - Glow	1
28	75-4930	Cylinder Head Assembly (Incl. Ref. #18, 41 & 42)	1
29	67-4500	Switch - Thermo	1
30	67-4490	Gasket	1
31	67-4460	Gasket - Switch	1
32	67-4450	Fitting - Thermostat	1
33	67-4470	Bolt	1
34	67-2330	Bolt	4
35	67-4510	Gauge Nut - Temperature	1
36	43-2710	Seal - O-Ring	2
37	67-4480	Pipe - By-Pass	1
38	67-4440	Thermostat	1
39	67-4680	Plug - Glow	3
40	67-4690	Plate - Glow Plug	1
41	67-2710	Cap - Sealing	3
42	67-2700	Guide - Valve	6
43	67-2730	Bolt	8
44	67-4550	Gasket-Intake Manifold	1

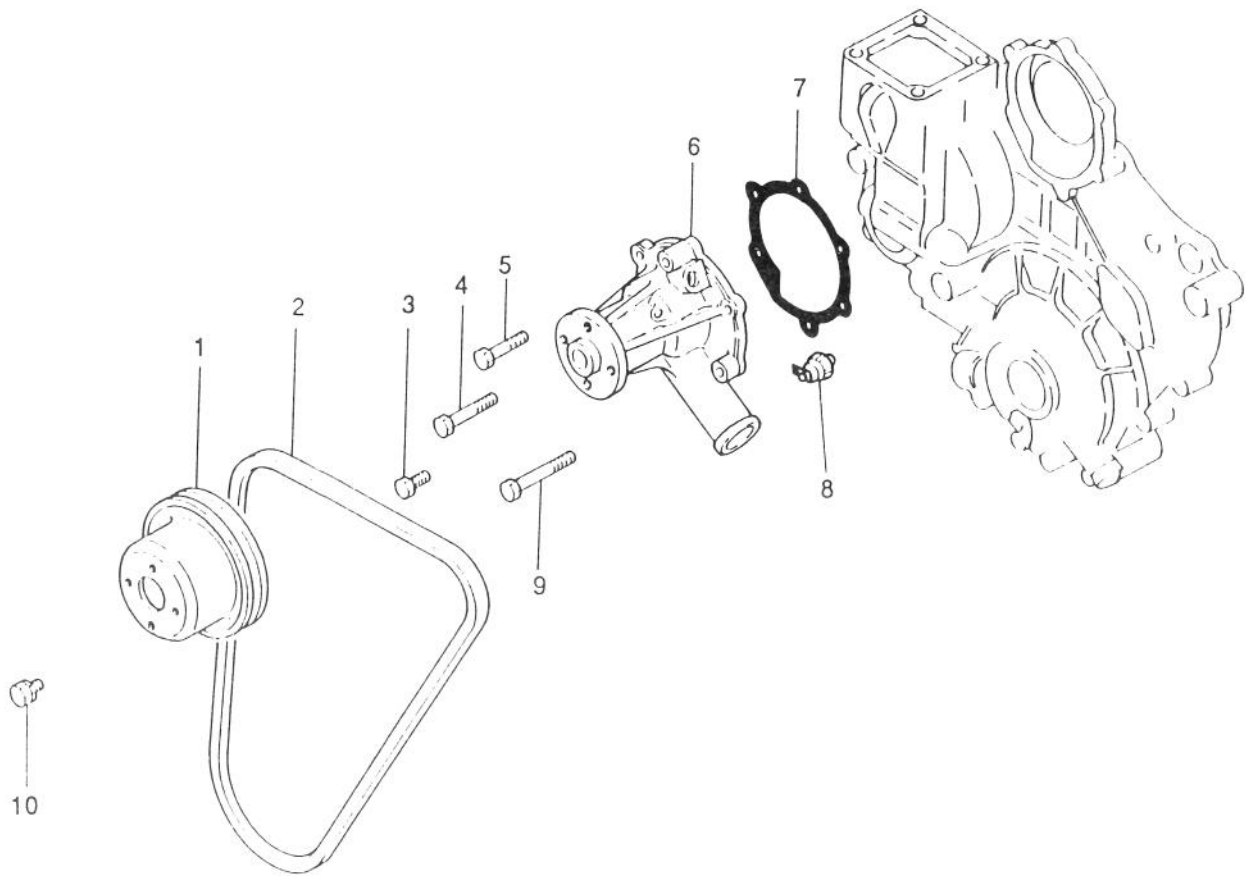


T-0566

## CYLINDER HEAD ASSEMBLY (Continued)

Ref. No.	Part No.	Description	No. Used
45	67-4430	Gasket - Fitting	1
46	67-4420	Fitting - Water	1

Ref. No.	Part No.	Description	No. Used
49	67-2330	Bolt	2

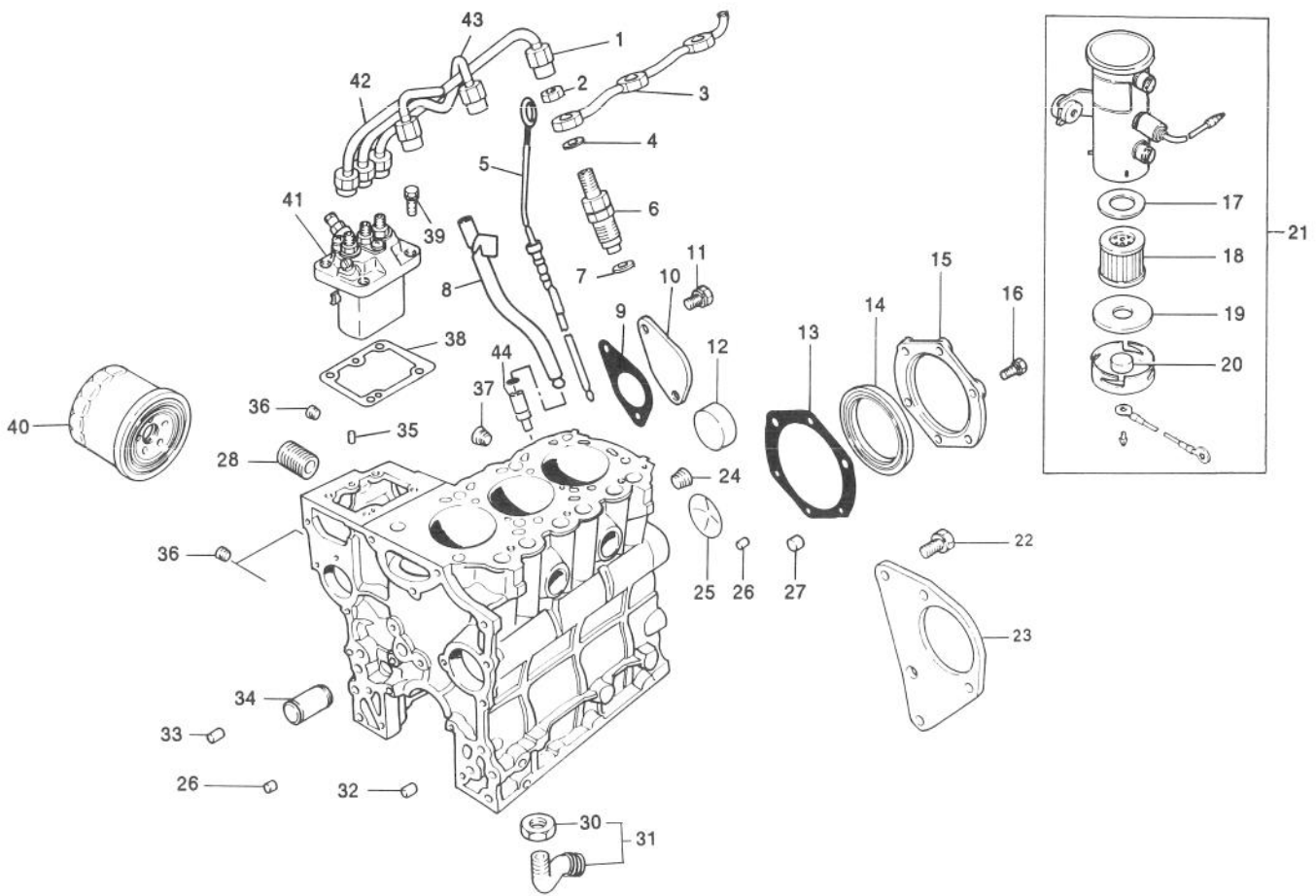


T-0568

## WATER PUMP ASSEMBLY

Ref. No.	Part No.	Description	No. Used
1	67-4360	Pulley - Water Pump	1
2	67-4410	V-Belt	1
3	67-2330	Bolt	2
4	67-4400	Bolt	1
5	67-2600	Bolt	1

Ref. No.	Part No.	Description	No. Used
6	67-4380	Water Pump Assembly	1
7	67-4390	Gasket - Water Pump	1
8	67-4350	Switch - Oil Pressure	1
9	67-2610	Bolt	2
10	42-9490	Bolt W/Washer	4

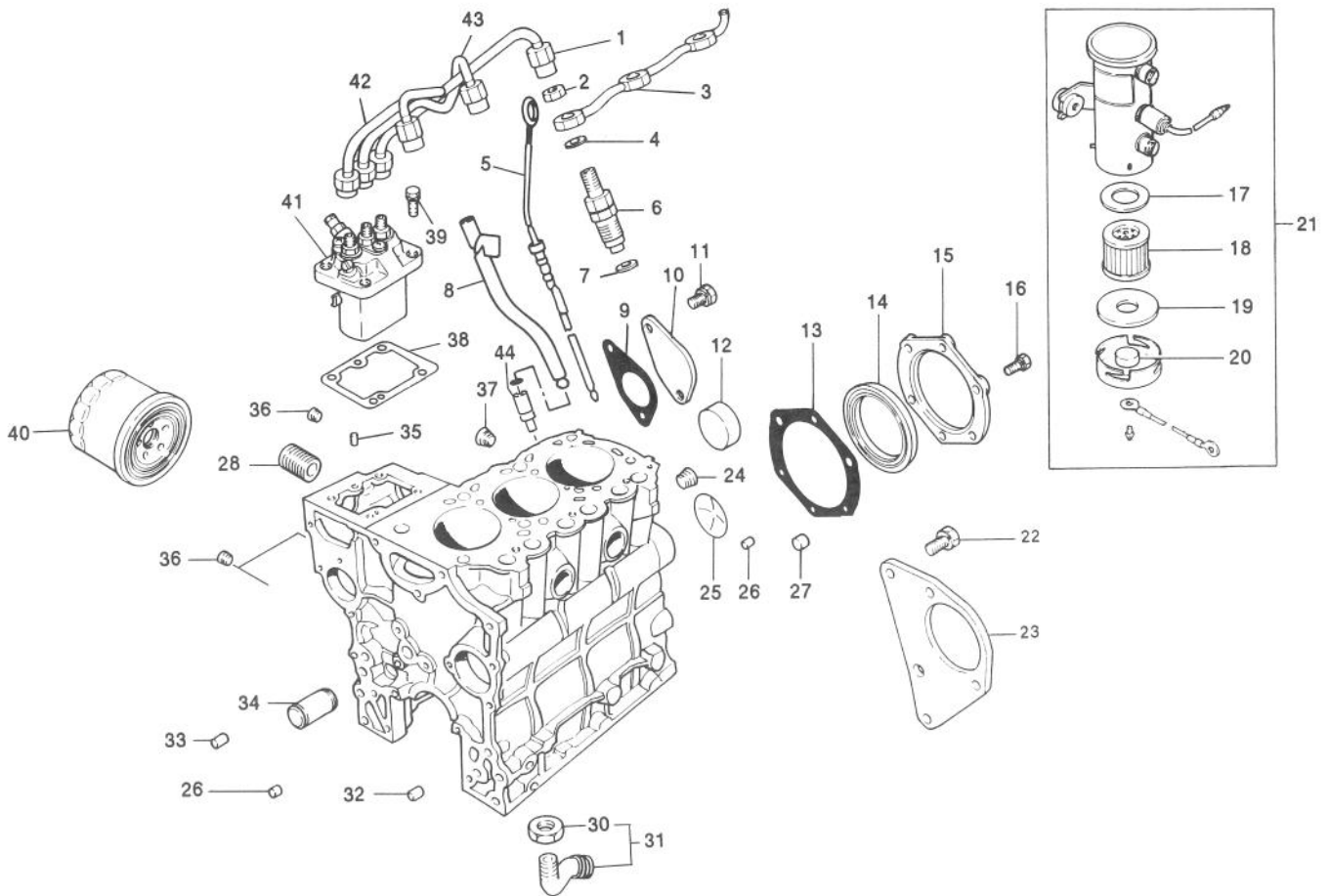


T-0569

## FUEL SUPPLY & ENGINE BLOCK ASSEMBLY

Ref. No.	Part No.	Description	No. Used	Ref. No.	Part No.	Description	No. Used
1	67-3420	Pipe Assy. No. 3	1	22	67-2440	Bolt W/Washer	3
2	67-3430	Nut	3	23	67-2430	Bracket - Starter	1
3	70-8700	Pipe - Fuel Return	1	24	67-2390	Plug - Taper	1
4	67-3440	Gasket	3	25	67-2350	Plug - Expansion	1
5	70-8880	Dipstick	1	26	67-2360	Bushing - Knock	2
6	67-3380	Nozzle & Holder Assembly	1	27	67-2380	Bushing - Knock	3
7	67-3390	Gasket - Nozzle Holder	3	28	56-1230	Shaft - Oil Filter	1
8	70-8870	Guide - Oil Level	1	30	42-9650	Nut - Jam	1
9	67-2300	Gasket	1	31	67-4340	Screen Assembly (Incl. Ref. #30)	1
10	67-2290	Cover	1	32	67-2370	Bushing - Knock	1
11	67-2340	Bolt W/Washer	2	33	42-7190	Bushing - Knock	2
12	56-0020	Plug-Expansion	3	34	67-2260	Shaft-Idler	1
13	67-2280	Gasket-Seal, Oil	1	35	56-0220	Pin - Dowel	2
14	67-2230	Seal-Oil	1	36	67-2210	Plug - Taper	3
15	67-2270	Case - Oil Seal	1	37	56-0100	Plug - Taper	1
16	67-2330	Bolt	6	38	67-3280	Shim 0.2 mm	1
17	43-2570	Gasket-Coil Side	1	*	67-3290	Shim 0.3 mm	1
18	43-2550	Filter	1	*	67-3300	Shim 0.5 mm	1
19	43-2560	Gasket - Side Cover	1	*	67-3310	Shim 0.4 mm	1
20	43-2580	Magnet	1	*	67-3320	Shim 0.6 mm	1
21	53-8150	Pump Assembly (Incl. Ref. #17-20)	1				

\*Not Illustrated



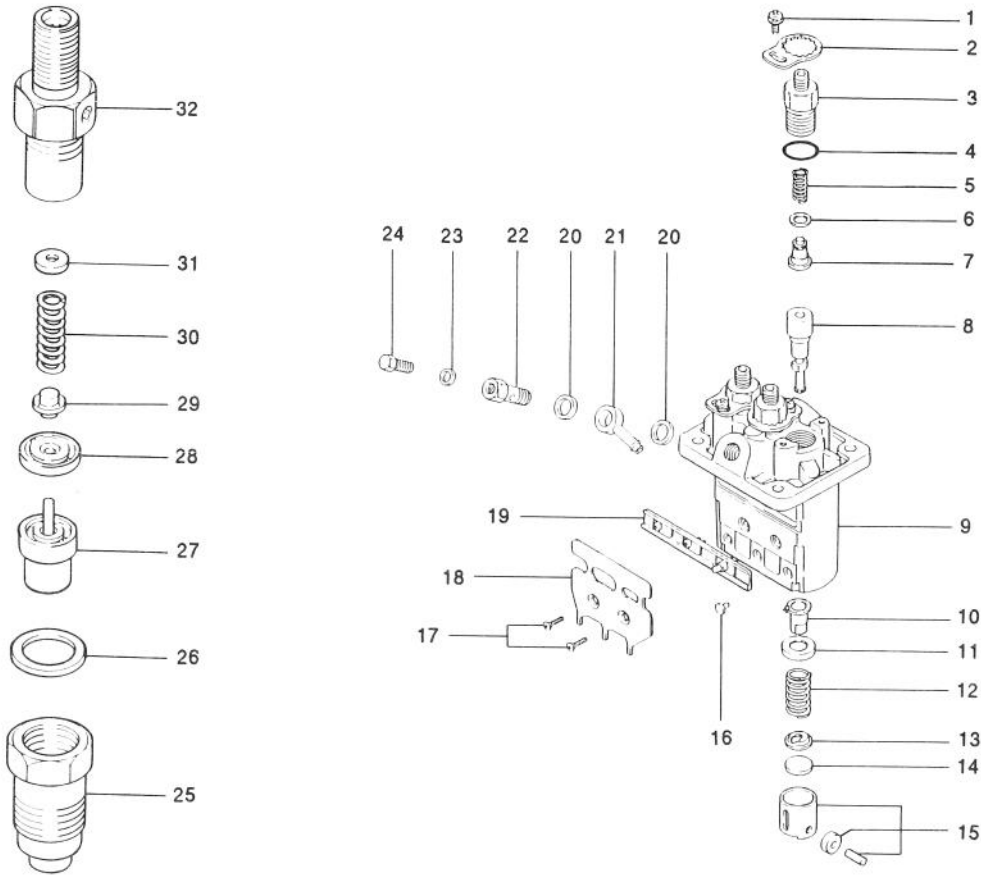
T-0569

## FUEL SUPPLY & ENGINE BLOCK ASSEMBLY (Continued)

Ref. No.	Part No.	Description	No. Used
38	67-3330	Shim 0.7 mm	1
*	67-3340	Shim 0.8 mm	1
*	67-3350	Shim 0.9 mm	1
*	67-3360	Shim 1.0 mm	1
39	67-3370	Bolt W/Washer	4

Ref. No.	Part No.	Description	No. Used
40	67-4330	Oil Filter Assembly	1
41	75-5020	Injector Pump Assembly	
42	67-3400	Pipe Assy. No. 1	1
43	67-3410	Pipe Assy. No. 2	1
44	82-8110	Retainer - Oil Guide	1

\*Not Illustrated



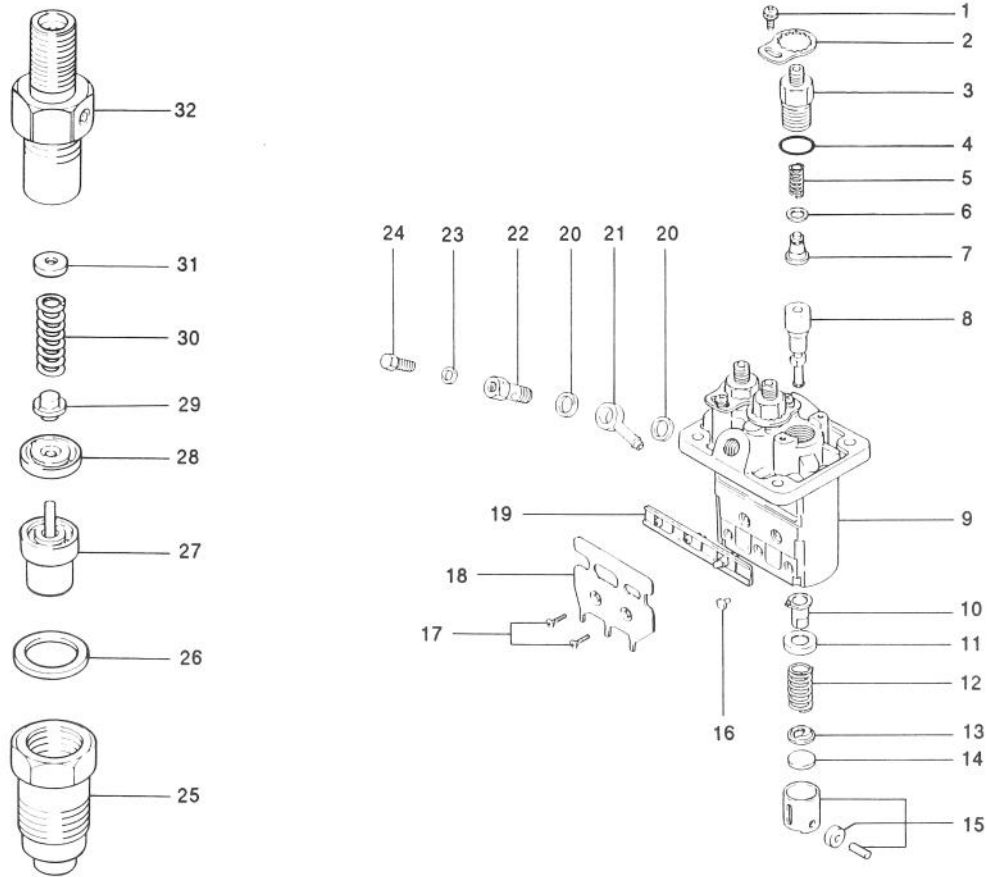
T-0570

## FUEL INJECTION PUMP ASSEMBLY

Ref. No.	Part No.	Description	No. Used
1	67-3770	Screw W/Washer	3
2	67-3760	Plate - Lock	3
3	67-3740	Holder-Delivery Valve	3
4	67-3480	Seal - O-Ring	3
5	67-3490	Spring	3
6	42-8240	Gasket	3
7	67-3500	Valve	3
8	75-4970	Element	3
9	67-3460	Housing-Pump	1
10	67-3520	Sleeve	3
11	67-3530	Seat - Spring Upper	3
12	67-3540	Spring	3
13	67-3550	Seat - Spring Lower	3
14	67-3560	Plate - Shim 1.85 mm	1
*	67-3570	Plate - Shim 1.9 mm	1
*	67-3580	Plate - Shim 1.95 mm	1
*	67-3590	Plate - Shim 2.0 mm	1
*	67-3600	Plate - Shim 2.05 mm	1
*	67-3610	Plate - Shim 2.1 mm	1
*	67-3620	Plate - Shim 2.15 mm	1
*	67-3630	Plate - Shim 2.2 mm	1
*	67-3640	Plate - Shim 2.25 mm	1

Ref. No.	Part No.	Description	No. Used
14	67-3650	Plate - Shim 2.3 mm	1
*	67-3660	Plate - Shim 2.35 mm	1
*	67-3670	Plate - Shim 2.4 mm	1
*	67-3680	Plate - Shim 2.45 mm	1
*	67-3690	Plate - Shim 2.5 mm	1
15	67-3700	Tappet	3
16	67-3810	Pin - Tappet Guide	3
17	67-3790	Screw	2
18	67-3800	Bracket - Wire Stop	1
19	67-3780	Rack	1
20	67-3750	Washer	2
21	67-3740	Nipple - Swivel	1
22	67-3730	Screw	1
23	67-3720	Washer	1
24	67-3710	Screw - Air Bleed	1
25	67-3970	Nut - Retaining	3
26	67-3980	Gasket	3
27	67-3960	Nozzle	3
28	67-3950	Piece - Distance	3
29	67-3940	Pin - Pressure	3
30	67-3930	Spring	3
31	67-3830	Washer 1.25 mm	1

\*Not Illustrated



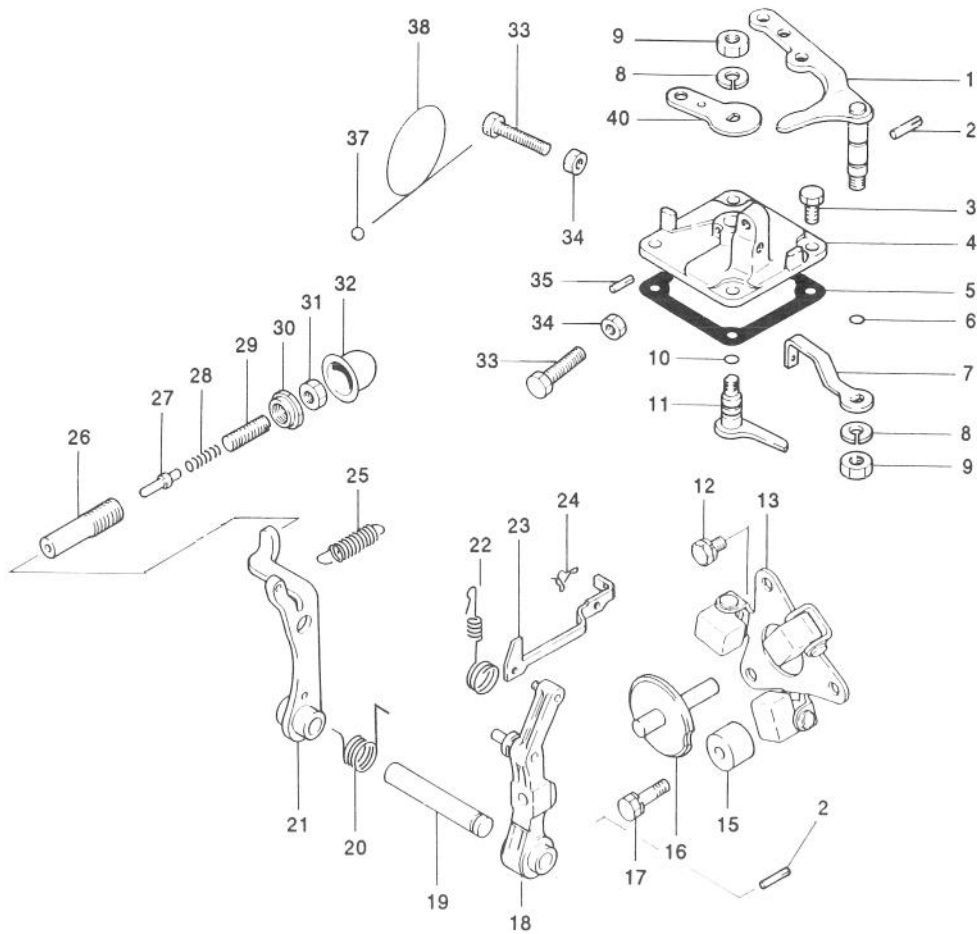
T-0570

## FUEL INJECTION PUMP ASSEMBLY (Continued)

Ref. No.	Part No.	Description	No. Used
31	67-3840	Washer 1.3 mm	1
*	67-3850	Washer 1.35 mm	1
*	67-3860	Washer 1.4 mm	1
*	67-3870	Washer 1.45 mm	1
*	67-3880	Washer 1.5 mm	1
*	67-3890	Washer 1.55 mm	1
*	67-3900	Washer 1.6 mm	1

Ref. No.	Part No.	Description	No. Used
31	67-3910	Washer 1.65 mm	1
*	67-3920	Washer 1.7 mm	1
32	75-5000	Body	3
*	53-8150	Pump Assembly (Incl. Ref. 21-24)	1
*	67-3380	Nozzle and Holder Assembly (Incl. Ref. #25-32)	3

\*Not Illustrated



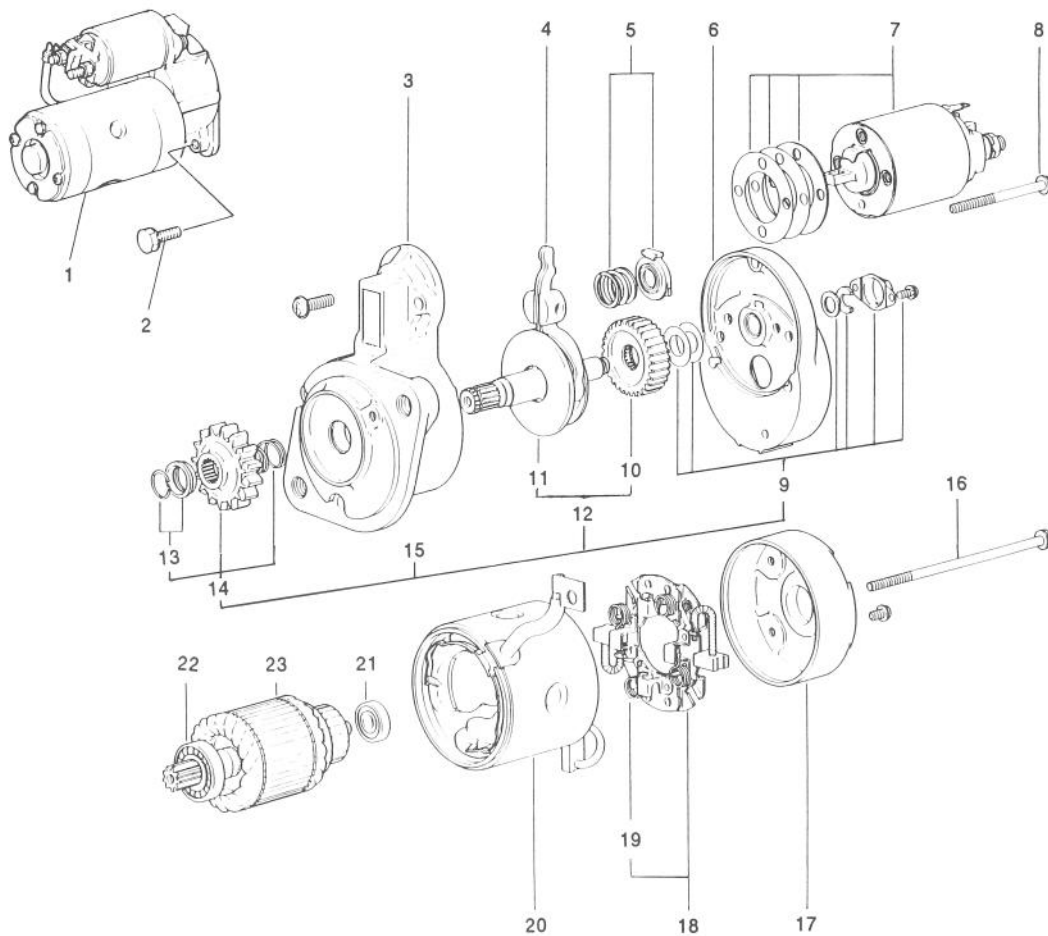
T-0571

## GOVERNOR ASSEMBLY

Ref. No.	Part No.	Description	No. Used
1	67-3990	Lever - Speed Control	1
2	67-4000	Pin	2
3	67-4270	Bolt	4
4	67-4130	Cover - Governor	1
5	67-4160	Gasket	1
6	42-8830	Seal - O-Ring	1
7	75-4980	Lever - Governor Spring	1
8	67-3260	Washer	2
9	42-9640	Nut - Jam	2
10	42-8830	Seal - O-Ring	1
11	67-4140	Lever - Stop	1
12	42-9430	Bolt W/Washer	2
13	67-4040	Weight Assembly	1
15	67-4010	Stopper	1
16	67-4070	Shaft - Sliding	1
17	67-4280	Bolt W/Washer	1
18	67-4060	Lever - Governor	1
19	67-4050	Shaft - Governor	1
20	67-5040	Spring	1
21	67-4090	Lever - Tension	1
22	70-8720	Spring - Tie Rod	1

Ref. No.	Part No.	Description	No. Used
23	67-4030	Rod - Tie	1
24	67-4080	Clip	1
25	75-4990	Spring - Governor	1
26	67-4210	Case - Torque Spring	1
27	67-4230	Stopper	1
28	67-4190	Spring - Torque	1
29	67-4220	Screw - Adjusting	1
30	67-4200	Nut - Special	1
31	67-4180	Nut	1
32	43-2820	Cap - Sealing Torque Set	1
33	42-9420	Bolt - Speed Set	4
34	67-4290	Nut	4
35	67-4120	Pin - Grooved	1
37	42-8690	Metal - Sealing	1
38	42-8700	Wire	1
40	67-4150	Lever - Stop	1
*	67-4110	Cover Assembly (Incl. Ref. #4, 8-11, 35 & 40)	1
*	67-4170	Spring Set (Incl. Ref. #26-31)	

\*Not Illustrated

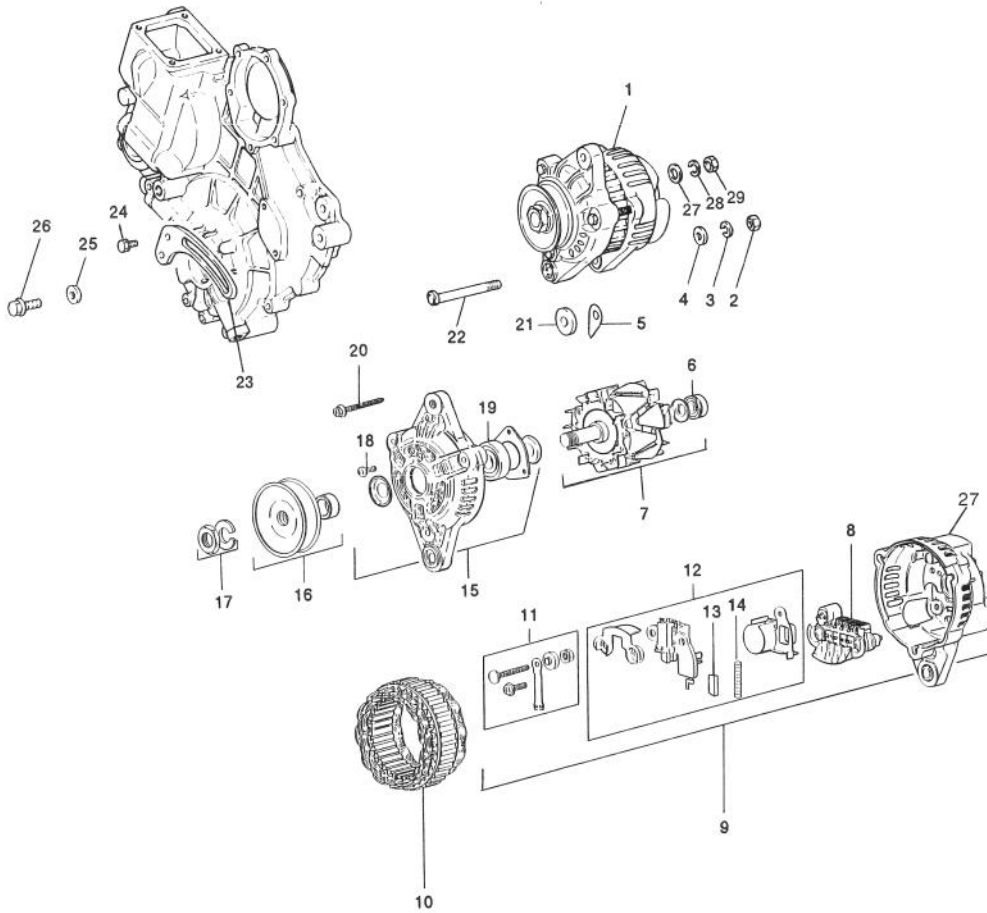


T-0572

## STARTER ASSEMBLY

Ref. No.	Part No.	Description	No. Used
1	70-8760	Starter Assembly (Incl. Ref. #3-23)	1
2	67-4610	Bolt W/Washer	2
3	70-8770	Bracket - Front	1
4	67-4720	Lever	1
5	67-4730	Spring Set	1
6	70-8780	Bracket - Center	1
7	67-4750	Switch	1
8	56-1570	Bolt Set	1
9	56-1680	Cover Set	1
10	56-1670	Gear	1
11	67-4790	Shaft	1
12	67-4780	Gear Set (Incl. Ref. #10 & 11)	1
13	56-1640	Stopper Set	1

Ref. No.	Part No.	Description	No. Used
14	67-4770	Pinion Set (Incl. Ref. #13)	1
15	67-4760	Shaft Assembly (Incl. Ref. #9, 12 & 14)	1
16	56-1610	Bolt	1
17	56-1720	Bracket - Rear	1
18	56-1700	Holder - Brush (Incl. Ref. #19)	1
19	56-1710	Spring - Brush	4
20	67-4800	Yoke	1
21	56-1600	Bearing - Rear	1
22	56-1590	Bearing - Front	1
23	56-1580	Armature Set (Incl. Ref. #21 & 22)	1

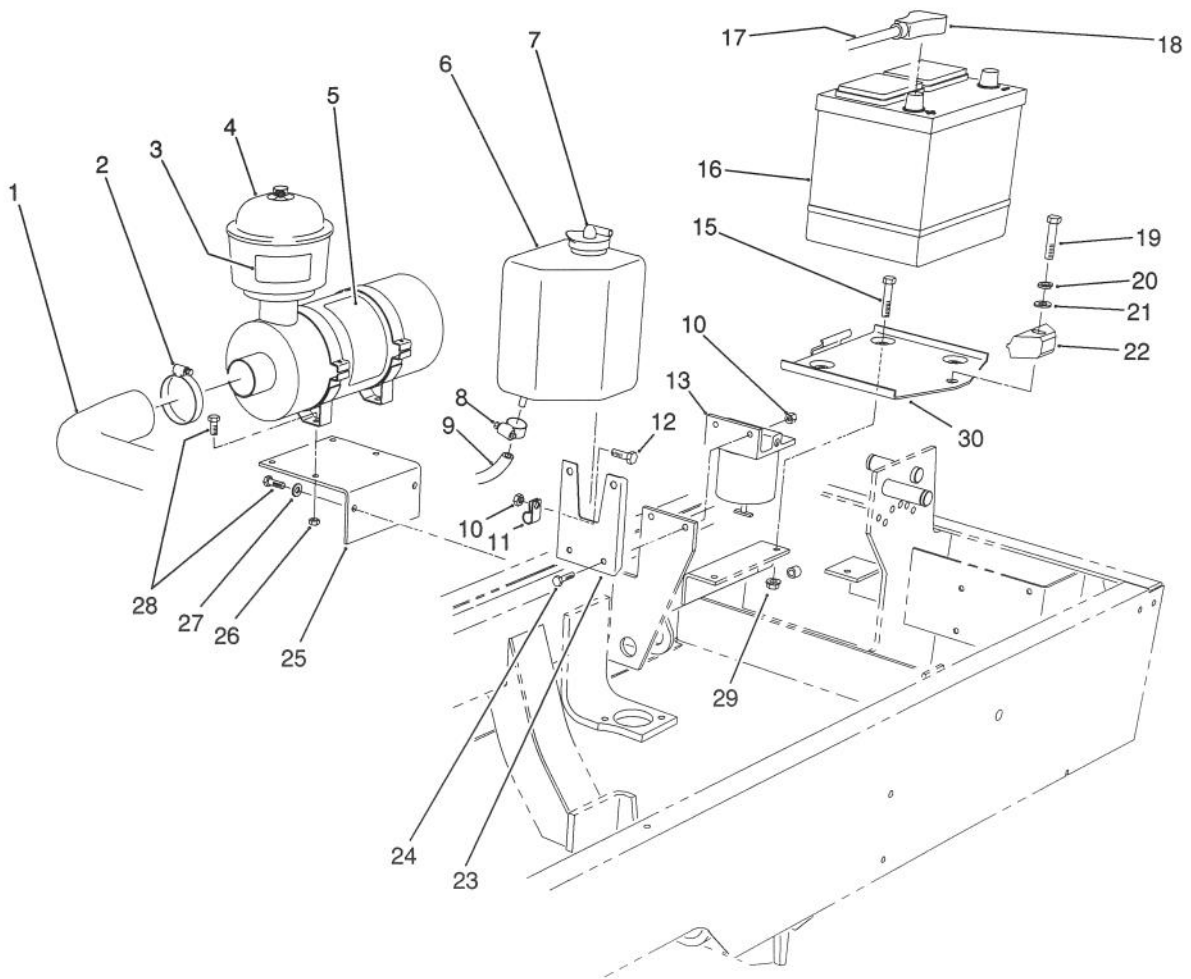


T-0573

## ALTERNATOR ASSEMBLY

Ref. No.	Part No.	Description	No. Used
1	67-4630	Alternator Assembly (Incl. Ref. #6-17)	1
2	67-4670	Nut	1
3	67-3260	Washer	1
4	42-9660	Washer	1
5	43-0370	Shim	1
6	67-4870	Bearing - Rear	1
7	67-4860	Rotor Assembly (Incl. Ref. #6)	1
8	67-4930	Rectifier	1
9	67-4890	Rear Cover Assembly (Incl. Ref. #8, 11, 12 & 27)	1
10	67-4880	Stator	1
11	67-4900	Terminal Set	1
12	67-4910	Regulator Assembly (Incl. Ref. #13 & 14)	1

Ref. No.	Part No.	Description	No. Used
13	67-4920	Brush	2
14	43-0510	Spring - Brush	2
15	67-4830	Front Bracket Assembly (Incl. Ref. #18 & 19)	1
16	67-4810	Pulley Set	1
17	43-1920	Nut Set	1
18	67-4840	Screw Set	1
19	67-4850	Bearing - Front	1
20	67-4820	Bolt Set	1
21	67-4620	Spacer	1
22	67-4640	Bolt	1
23	75-4940	Brace - Alternator	1
24	42-9440	Bolt W/Washer	1
25	54-8660	Washer	1
26	67-4660	Bolt - Flange	1
27	72-6140	Cover - Rear	1



T-1056

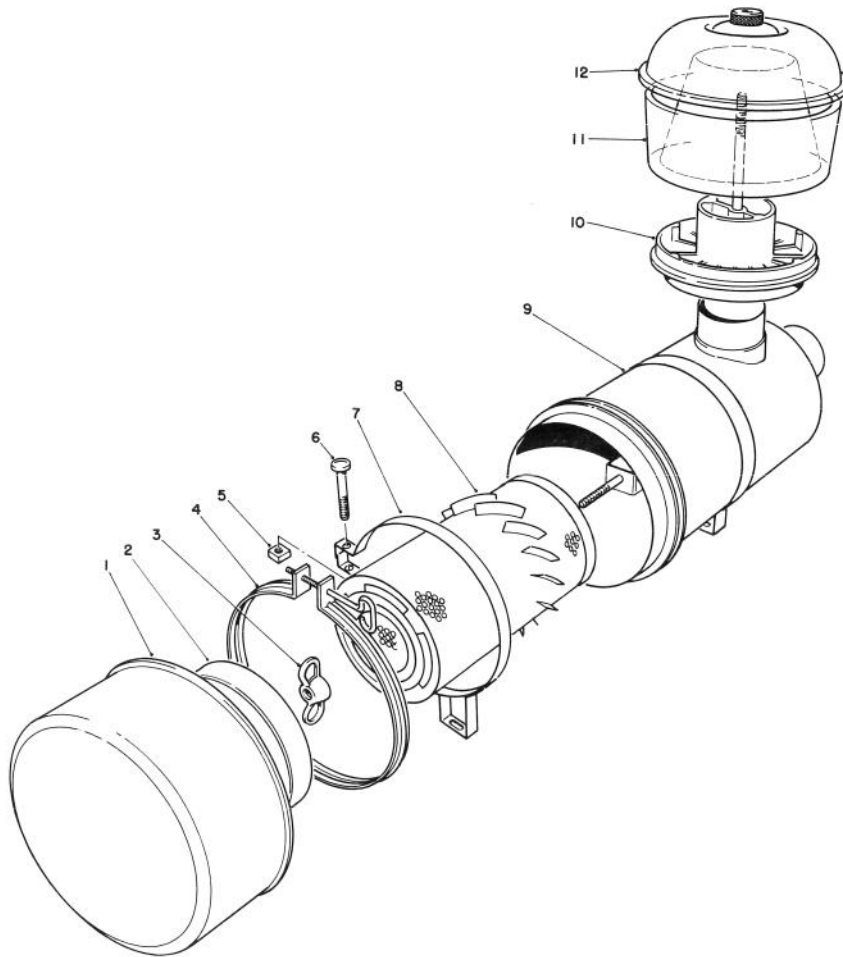
## ENGINE COMPONENTS ASSEMBLY

Ref. No.	Part No.	Description	No. Used
1	75-2460	Hose - Air Cleaner	1
2	2412-42	Clamp - Hose	1
‡3	67-1700	Decal - Starting Fluid (English)	1
4	48-4220	Air Cleaner Assembly (Incl. Ref. #5)	1
5	27-7160	Decal - Instructions	1
6	63-7380	Expansion Tank Assembly (Incl. Ref. #7)	1
7	71-1520	Cap - Expansion Tank	1
8	2412-108	Clamp - Hose	1
9	75-2850	Hose - Expansion Tank	1
10	3296-42	Nut - Lock	3
11	2412-93	Clamp - R	1
12	321-2	Screw - Cap Hex. Hd.	1
13	63-7650	Fuel Filter Assembly	1
15	322-4	Screw - Cap Hex. Hd.	3
16	13-6259	Battery (Type 26, 530 Amp.)	1

Ref. No.	Part No.	Description	No. Used
17	75-1370	Battery Cable Assy. (+) (Incl. Ref. #18)	1
*	75-5730	Insulator - Terminal (Starter End)	1
18	28-1280	Boot - Cable	1
19	323-9	Screw - Cap Hex. Hd.	1
20	3253-21	Washer - Lock	1
21	3256-24	Washer - Flat	1
22	66-2490	Clamp - Battery	1
23	75-4250	Bracket - Expansion Tank	1
24	321-6	Screw - Cap Hex. Hd.	2
25	75-3140	Bracket - Air Cleaner	1
26	3296-29	Nut - Lock	4
27	3256-23	Washer - Flat	2
28	322-3	Screw - Cap Hex. Hd.	6
29	32128-25	Nut - Lock	3
30	66-2330	Base - Battery	1

\*Not Illustrated

‡For different language versions of this part, see International Decal Cross Reference.



T-0126

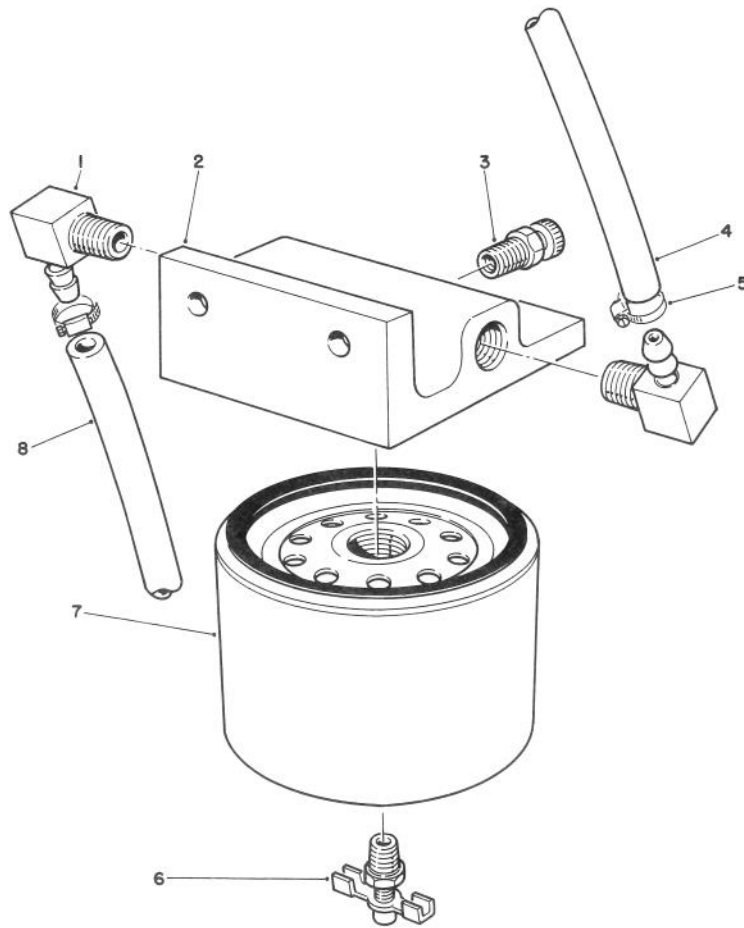
## AIR CLEANER ASSEMBLY

Ref. No.	Part No.	Description	No. Used
1	27-7150	Cup Assembly	1
2	27-7140	Baffle	1
3	27-7120	Nut	1
4	27-7130	Clamp Assembly	1
5	32107-11	Nut-Square	2
6	3258-19	Screw-Machine	2
7	27-7170	Band Assembly (Incl. Ref. #5 & 6)	2
8	27-7110	Element Assembly	1

Ref. No.	Part No.	Description	No. Used
9†		Housing	1
10	62-6300	Sleeve Assembly	1
11	33-1270	Bowl	1
12	33-1260	Cover Assembly	1
*	48-7430	Pre-Cleaner Assembly (Incl. Ref. #10-12)	1
*	48-4220	Air Filter Assembly (Incl. Ref. #1-4, 8-9)	1
*	27-7220	Air Cleaner Soap	1

\*Not Illustrated

†Not Serviceable Separately



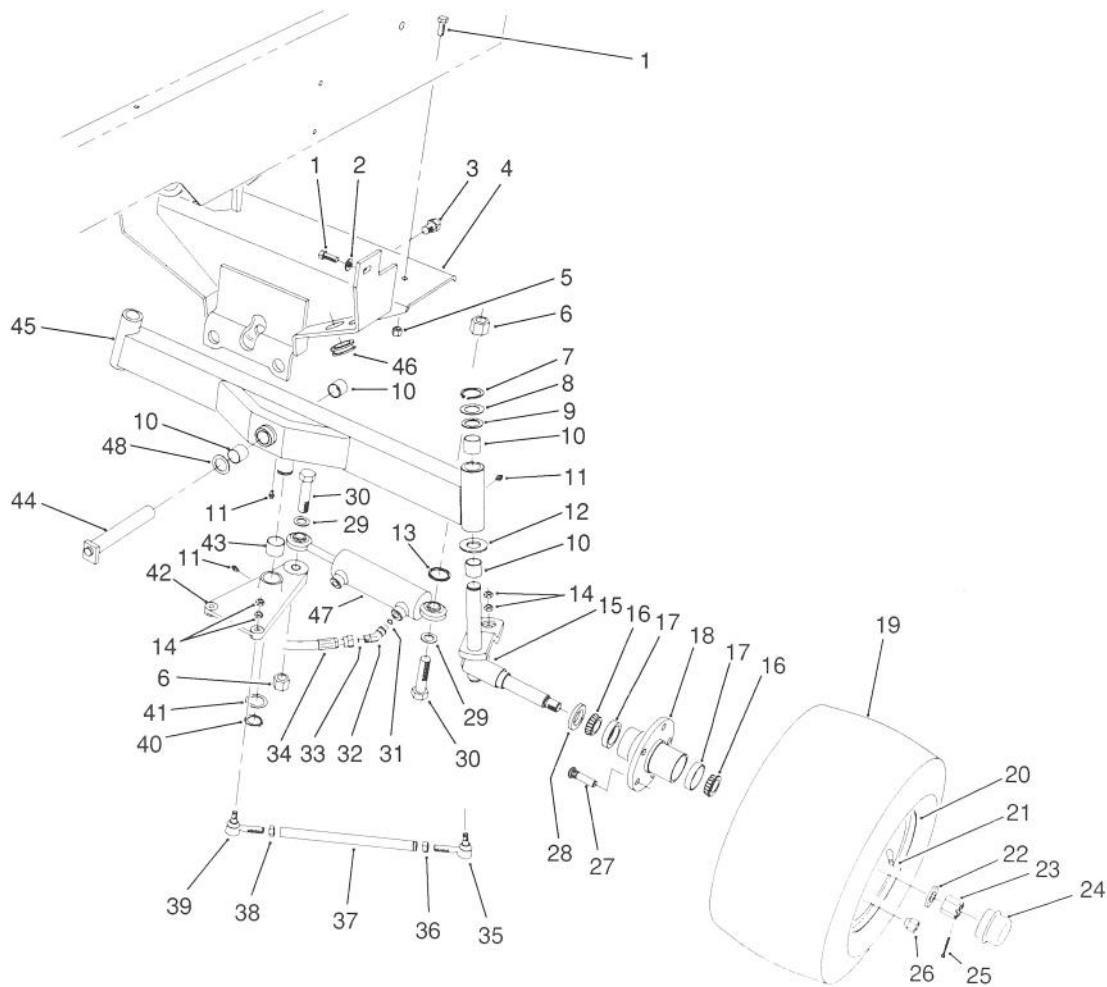
T-1030

## FUEL FILTER ASSEMBLY

Ref. No.	Part No.	Description	No. Used
1	353-781	Fitting-Elbow	2
2	63-8280	Head-Filter, Fuel (Incl. Ref. #3)	1
3	63-8290	Vent-Air	1
4	63-7620	Hose-Fuel	1
5	2412-108	Clamp-Hose	2
6	63-8310	Valve-Drain	1

Ref. No.	Part No.	Description	No. Used
7	63-8300	Element-Spin-On (Incl. Ref. #6)	1
8	63-7610	Hose-Fuel	1
*	63-7650	Fuel Filter Assembly (Incl. Ref. #2, 3 & 6-7)	1

\*Not Illustrated



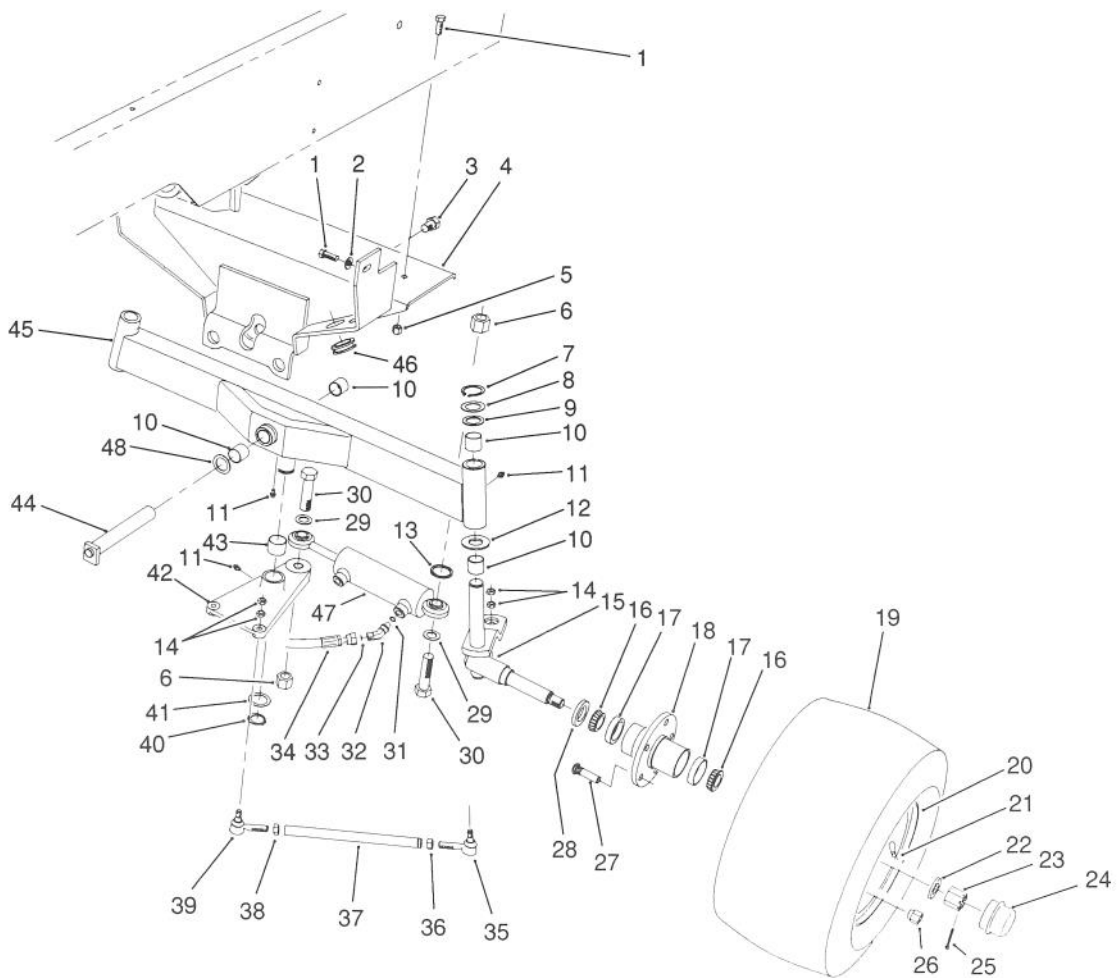
T-1057

## REAR AXLE ASSEMBLY

Ref. No.	Part No.	Description	No. Used
1	323-6	Screw - Cap Hex. Hd.	4
2	3256-24	Washer - Flat	2
3	327-2	Screw - Cap Hex. Hd.	1
4	75-1100	Support - Rear Axle	1
5	3296-39	Nut - Lock	2
6	32153-6	Nut - Lock	2
7	32151-36	Ring - Retaining	2
8	5-1226	Washer - Shim	A/R
9	10-8110	Washer - Thrust	2
10	67-1751	Bushing - Sleeve	6
11	302-5	Fitting - Grease	4
12	256-121	Washer - Thrust	2
13	67-7250	Spacer - Cylinder	1
14	3220-3	Nut - Jam	8
15	75-4440	Spindle - Rear L.H.	1
*	75-4420	Spindle - Rear R.H.	1
16	254-94	Cone - Bearing	4
17	254-72	Cup - Bearing	4
18	21-2820	Hub - Rear Wheel	2
19	231-135	Tire	2
20	217-121	Rim	2
21	232-35	Stem - Valve	2
22	3256-28	Washer - Flat	2

Ref. No.	Part No.	Description	No. Used
23	32136-5	Nut - Slotted	2
24	241-119	Cap - Dust	2
25	3272-13	Pin - Cotter	2
26	242-50	Nut - Lug	10
27	10-6830	Stud - Drive	10
28	253-129	Seal - Grease	2
29	67-9410	Washer - Thrust	2
30	328-25	Screw - Cap Hex. Hd.	2
31	237-78	Seal - O-Ring	2
32	340-103	Fitting - Hydraulic 45° (Incl. Ref. #31 & 33)	2
33	237-21	Seal - O-Ring	2
34	75-6220	Hose - Hydraulic (Cap End)	1
*	75-6230	Hose - Hydraulic (Rod End)	1
35	21-0140	Joint - Ball	2
36	3220-5	Nut - Jam	2
37	75-3130	Rod - Tie	2
38	3220-12	Nut - Jam L.H. Thread	2
39	21-0150	Joint - Ball L.H. Thread	2
40	32151-77	Ring - Retaining	1
41	76-2980	Washer - Thrust	1

\*Not Illustrated

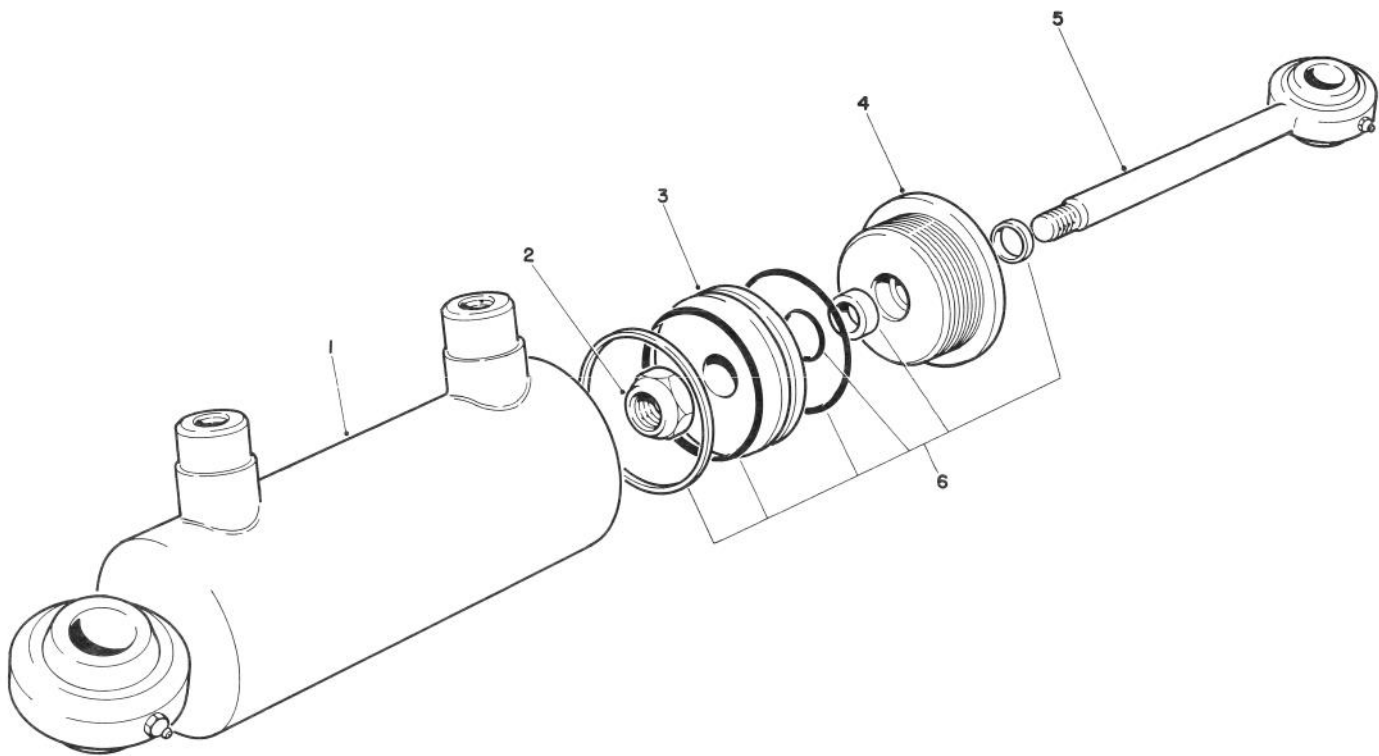


T-1057

## REAR AXLE ASSEMBLY (Continued)

Ref. No.	Part No.	Description	No. Used
42	75-4410	Pivot Plate Assembly (Incl. Ref. #11 & 43)	1
43	76-2970	Bushing - Sleeve	2
44	75-4180	Pin - Rear Axle Pivot	1

Ref. No.	Part No.	Description	No. Used
45	75-2900	Rear Axle Assembly (Incl. Ref. #10 & 11)	1
46	237-165	Grommet	2
47	75-1200	Hydraulic Cylinder Assembly	1
48	5-1226	Washer - Thrust	2



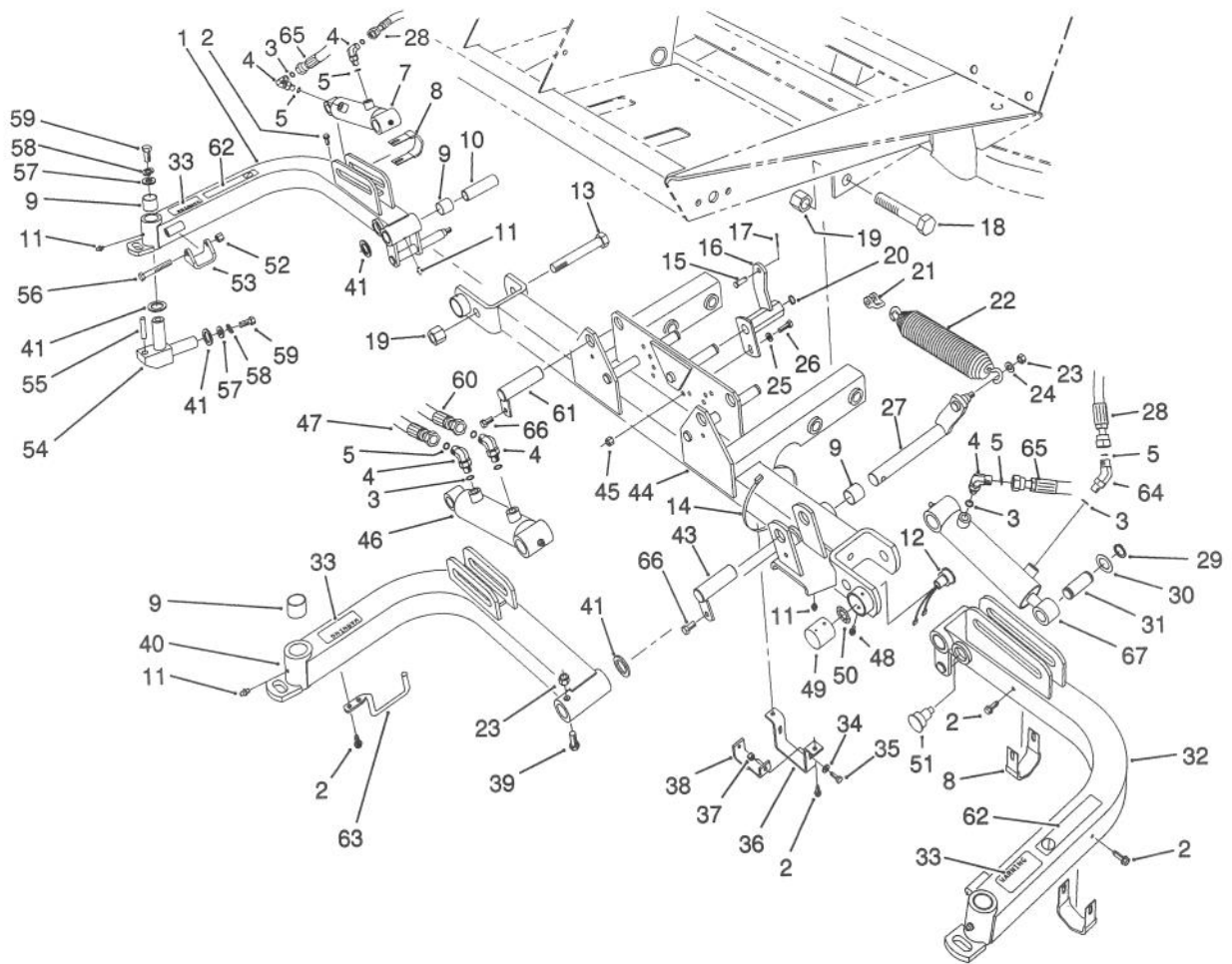
T-0996

## HYDRAULIC CYLINDER NO. 75-1200

Ref. No.	Part No.	Description	No. Used
†1		Barrel Assembly	1
2	75-1210	Nut-Lock	1
3	75-1220	Piston	1

Ref. No.	Part No.	Description	No. Used
4	75-1260	Head-Internal	1
5	75-1230	Piston Rod Assembly	1
6	75-1250	Seal Kit	1

†Not Serviced Separately



T-1059

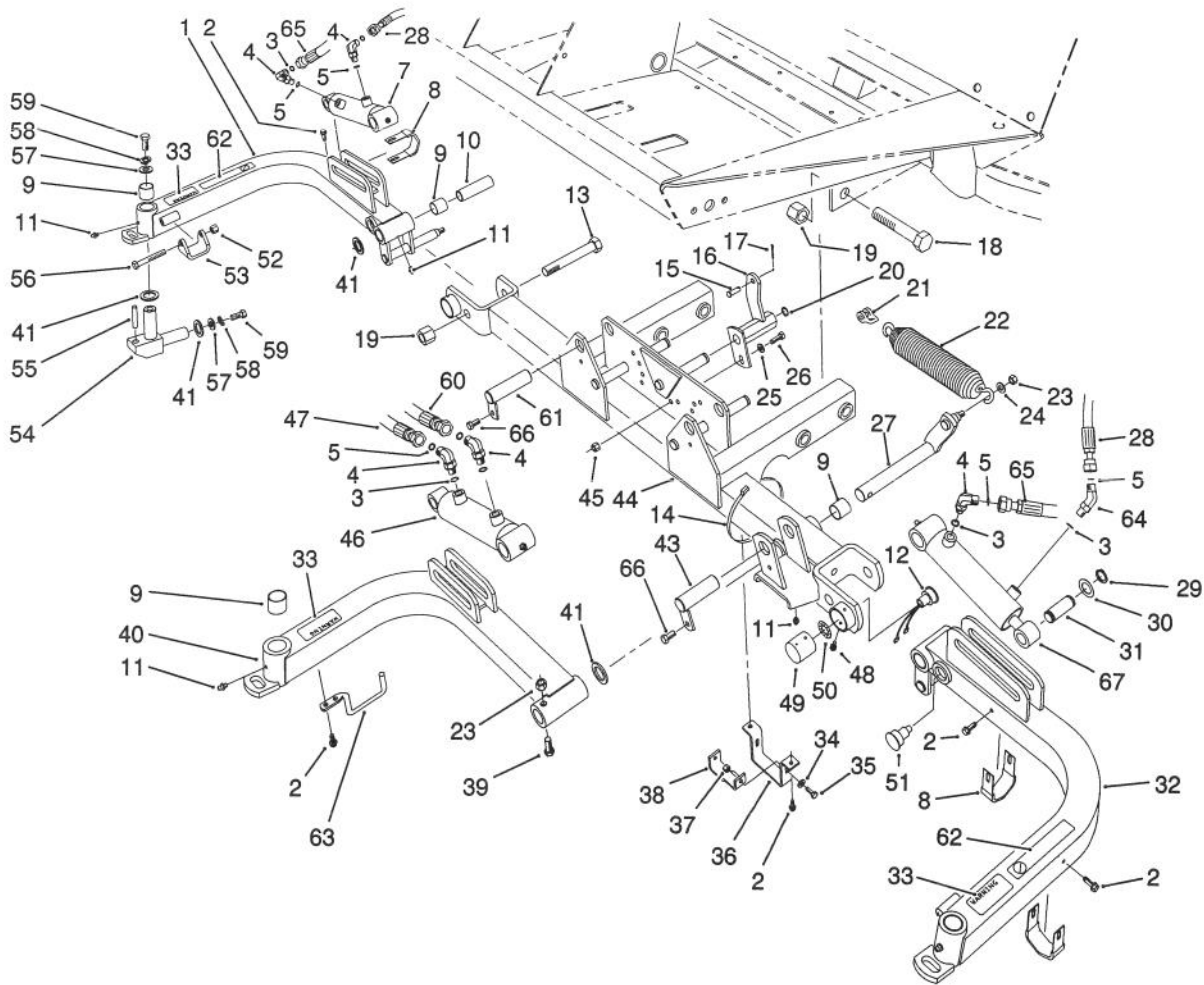
## FRONT LIFT ARMS ASSEMBLY

Ref. No.	Part No.	Description	No. Used
1	75-5450	Lift Arm Assembly R.H. (Incl. Ref. #9 & 11)	1
2	49-2040	Screw - Thread Forming	10
3	237-78	Seal - O-Ring	6
4	340-132	Fitting - Hydraulic 90° (Incl. Ref. #3 & 5)	5
5	237-21	Seal - O-Ring	6
6	75-5880	Hose - Hydraulic	1
7	83-7480	Hydraulic Cylinder Assembly	1
8	75-5330	Clamp - Hose	3
9	67-1750	Bushing - Sleeve	12
10	75-5340	Spacer - Pivot	2
11	302-5	Fitting - Grease	6
12	75-6300	Sensor - Reed Switch	1
13	328-9	Screw - Cap Hex. Hd.	2
14	3290-379	Tie - Cable	3
15	283-6	Pin - Clevis	3
16	75-5210	Bracket - Spring Center	1
*	75-5200	Bracket - Spring R.H.	1
*	75-5220	Bracket - Spring L.H.	1
17	3272-10	Pin - Cotter	3
18	328-7	Screw - Cap Hex. Hd.	4
19	3296-51	Nut - Lock	6

Ref. No.	Part No.	Description	No. Used
20	32151-48	Ring - Retaining	3
21	282-4	Clevis - Spring	3
22	5-0743	Spring - Extension	3
23	3296-44	Nut - Lock	4
24	3256-24	Washer - Flat	3
25	3256-23	Washer - Flat	3
26	322-5	Screw - Cap Hex. Hd.	3
27	75-4550	Shaft - Center Arm Pivot	1
28	75-5890	Hose - Hydraulic	2
29	32120-93	Ring - Retaining	6
30	3-6498	Washer - Thrust	6
31	75-5350	Pin - Cylinder Rod End	3
32	75-5460	Lift Arm Assembly L.H. (Incl. Ref. #9 & 11)	1
‡33	55-4300	Decal - Warning (English)	3
34	3256-22	Washer - Flat	2
35	321-4	Screw - Cap Hex. Hd.	2
36	75-5370	Mount - Clamp	1
37	3296-42	Nut - Lock	2
38	75-5380	Bracket - Clamp	1
39	323-10	Screw - Cap Hex. Hd.	1
40	75-5420	Lift Arm Assembly Center (Incl. Ref. #9 & 11)	1

\*Not Illustrated

‡For different language versions of this part, see International Decal Cross Reference.

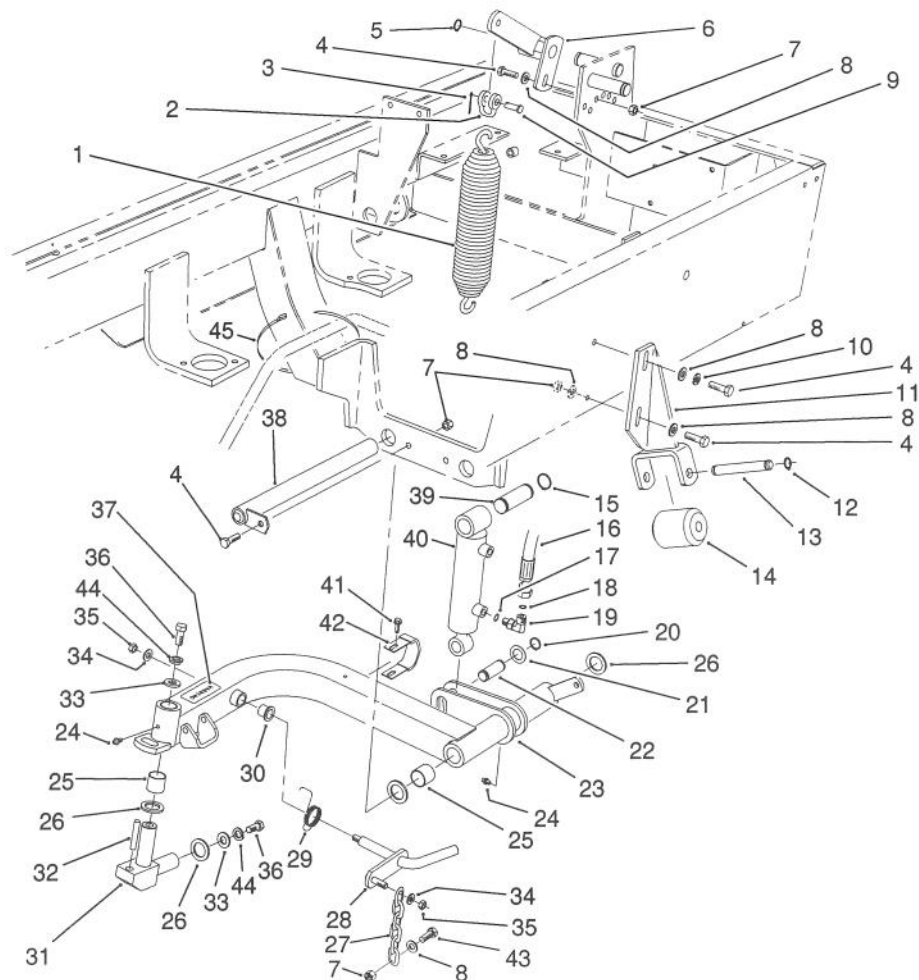


T-1059

## FRONT LIFT ARMS ASSEMBLY (Continued)

Ref. No.	Part No.	Description	No. Used	Ref. No.	Part No.	Description	No. Used
41	256-115	Washer - Thrust	11	55	32121-122	Pin - Roll	3
42	32151-36	Ring - Retaining	6	56	323-12	Screw - Cap Hex. Hd.	2
43	83-6790	Pin - Cylinder (Short)	1	57	3256-6	Washer - Flat	6
44	75-3040	Carrier Frame Assembly (Incl. Ref. #9 & 11)	1	58	3253-7	Washer - Lock	6
45	3296-29	Nut - Lock	3	59	325-4	Screw - Cap Hex. Hd.	6
46	75-0780	Hydraulic Cylinder Assembly	1	60	75-5910	Hose - Hydraulic	1
47	75-5900	Hose - Hydraulic	1	61	83-6780	Pin - Cylinder (Long)	2
48	32104-76	Screw - Thread Forming	2	‡62	36-3400	Decal - No Step (English)	2
49	75-6370	Cover - Sensor	1	63	75-5300	Rod - Hose Support	1
50	32151-94	Ring - Retaining	1	64	340-103	Fitting - Hydraulic 45° (Incl. Ref. #3 & 4)	1
51	75-6310	Magnet - Reed Switch	1	65	82-6490	Hose - Hydraulic	1
52	3296-39	Nut - Lock	2	66	32144-14	Screw - Self Tapping	3
53	75-5410	Bracket - Arm	2	67	83-7490	Hydraulic Cylinder Assy.	1
54	75-3010	Joint - Arm	3				

‡For different language versions of this part, see International Decal Cross Reference.



T-1060

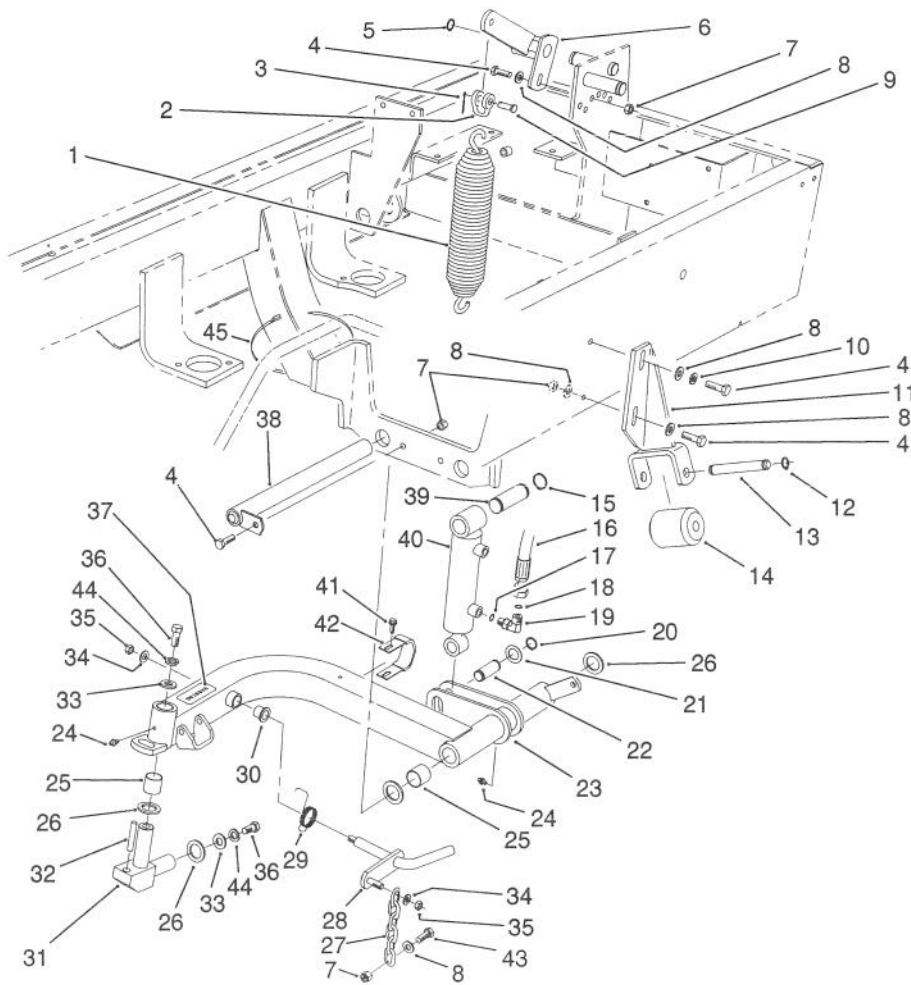
## REAR LIFT ARMS ASSEMBLY

Ref. No.	Part No.	Description	No. Used
1	5-0743	Spring - Counterbalance	2
2	282-4	Clevis - Spring	2
3	3272-10	Pin - Cotter	2
4	322-5	Screw - Cap Hex. Hd.	8
5	32151-48	Ring - Retaining	2
6	75-4690	Bracket - Spring Rear R.H.	1
*	75-4650	Bracket - Spring Rear L.H.	1
7	3296-29	Nut - Lock	6
8	3256-23	Washer - Flat	10
9	283-6	Pin - Clevis	2
10	3253-4	Washer - Lock	2
11	75-3810	Bracket - Roller	2
12	32151-61	Ring - Retaining	4
13	75-5400	Shaft - Roller	2
14	75-5390	Roller	2
15	32151-36	Ring - Retaining	4
16	75-6180	Hose - Hydraulic R.H.	2
*	75-6070	Hose - Hydraulic L.H. (Cap)	1
*	75-6080	Hose - Hydraulic L.H. (Rod)	1
17	237-78	Seal - O-Ring	4
18	237-21	Seal - O-Ring	4
19	340-132	Fitting - Hydraulic 90° (Incl. Ref. #17 & 18)	4

Ref. No.	Part No.	Description	No. Used
20	32120-93	Ring - Retaining	4
21	3-6498	Washer - Thrust	4
22	75-5350	Pin - Cylinder Rod End	2
23	75-5440	Lift Arm Assy. Rear R.H. (Incl. Ref. #24, 25 & 30)	1
*	75-5430	Lift Arm Assy. Rear L.H. (Incl. Ref. #24, 25 & 30)	1
24	302-5	Fitting - Grease	4
25	67-1750	Bushing - Sleeve	8
26	256-115	Washer - Thrust	6
27	5-1096	Chain - Cutting Unit	2
28	75-4590	Rod - Pivot	2
29	75-4520	Spring - Torsion R.H.	1
*	75-4530	Spring - Torsion L.H.	1
30	256-287	Bushing - Flange	4
31	75-3010	Joint - Arm	2
32	32121-122	Pin - Roll	2
33	3256-6	Washer - Flat	4
34	3256-24	Washer - Flat	4
35	3296-39	Nut - Lock	4
36	325-4	Screw - Cap Hex. Hd.	4
‡37	55-4300	Decal - Warning (English)	2
38	75-3750	Pin - Pivot	2

\*Not Illustrated

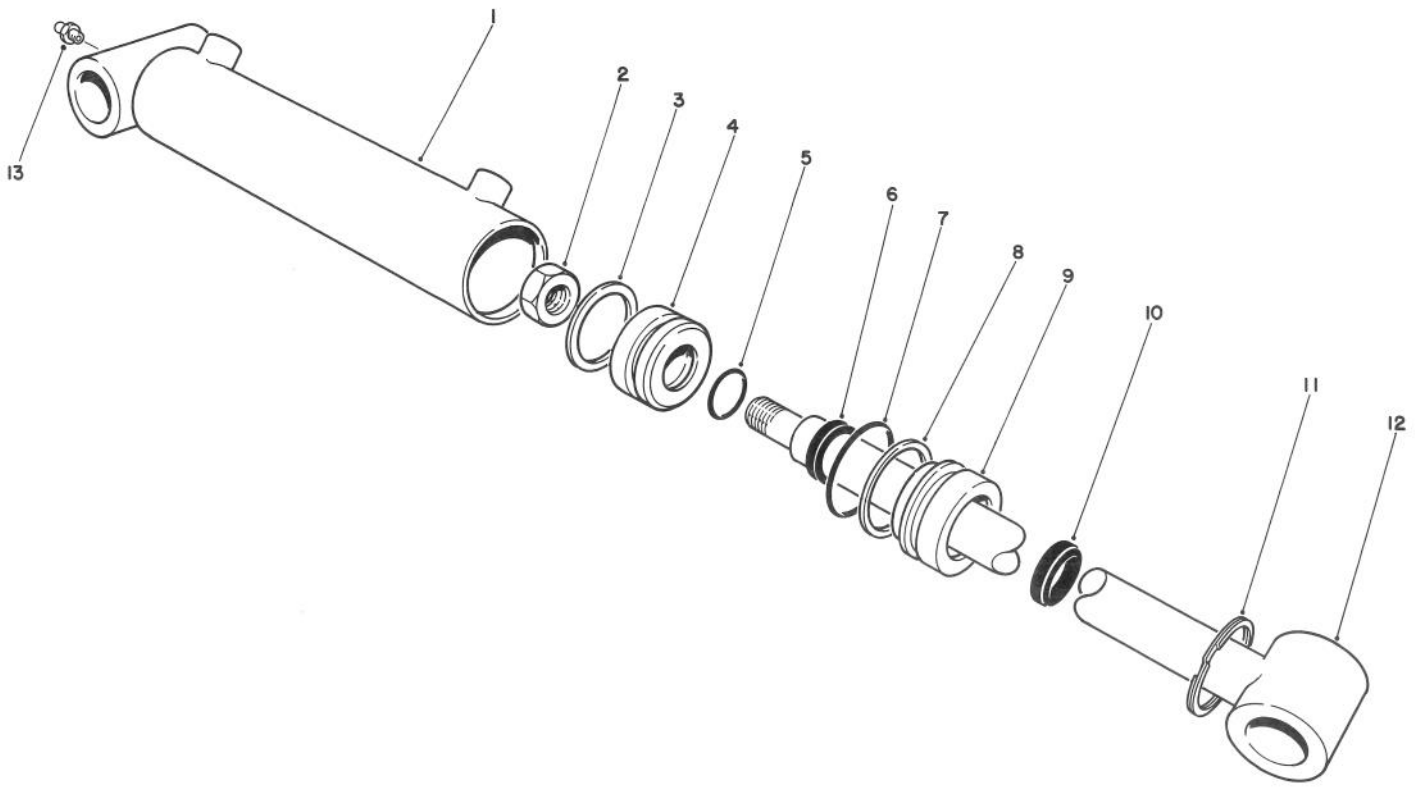
‡For different language versions of this part, see International Decal Cross Reference.



T-1060

## REAR LIFT ARMS ASSEMBLY (Continued)

Ref. No.	Part No.	Description	No. Used	Ref. No.	Part No.	Description	No. Used
39	75-5360	Pin - Cylinder Cap End	2	43	322-12	Screw - Cap Hex. Hd.	2
40	75-0780	Hydraulic Cylinder Assy.	2	44	3253-7	Washer - Lock	4
41	49-2040	Screw - Thread Forming	4	45	3290-379	Tie - Cable	1
42	75-5330	Clamp - Hydraulic Line	2				



T-1033

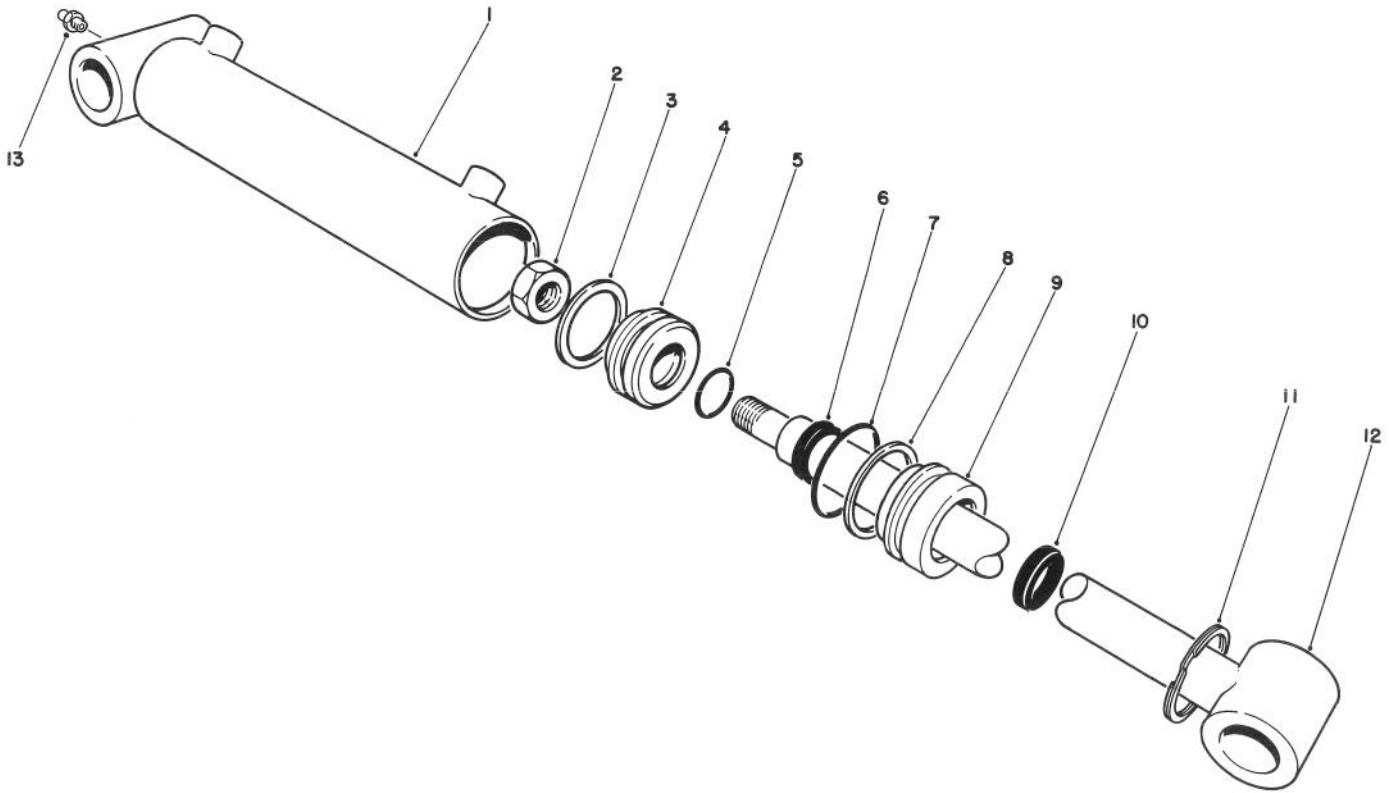
## HYDRAULIC CYLINDER NO. 75-0780

Ref. No.	Part No.	Description	No. Used
†1		Barrel W.A.	1
2	32152-10	Nut	1
†3		Uni-ring	1
4	70-2780	Piston	1
†5		Seal - O-Ring	1
†6		Seal-Rod	1
†7		Seal - O-Ring	1
†8		Backup	1

Ref. No.	Part No.	Description	No. Used
9	75-2110	Head	1
†10		Seal-Dust	1
11	43-5220	Ring-Retaining	1
12	75-3790	Clevis W.A.	1
13	302-5	Fitting - Grease	1
*	75-2140	Seal repair Kit (Incl. Ref. #3, 5-8 & 10)	1

\*Not Illustrated

†Not Serviced Separately



T-1032

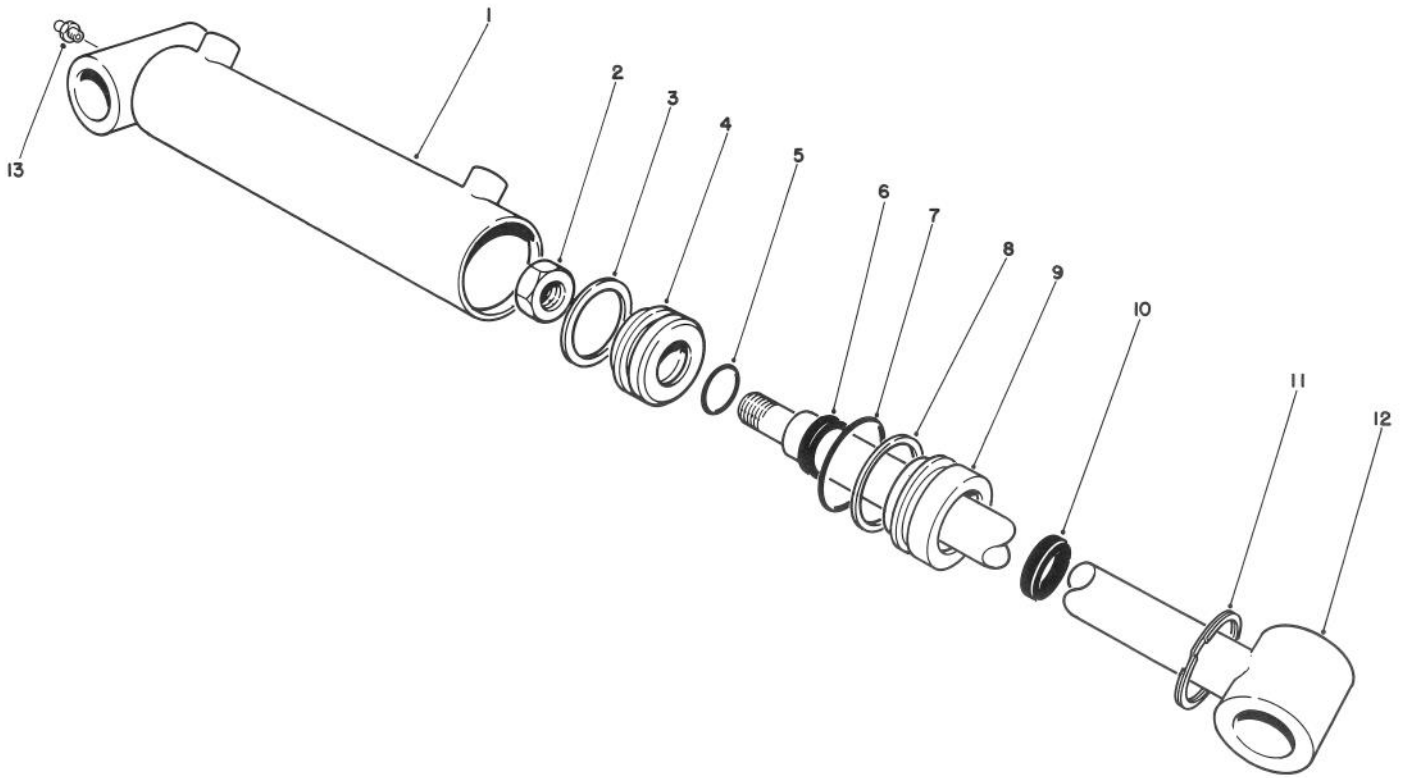
## HYDRAULIC CYLINDER NO. 83-7480

Ref. No.	Part No.	Description	No. Used
†1		Barrel W.A.	1
2	32152-10	Nut	1
†3		Uni-ring	1
4	84-1710	Piston	1
†5		O-Ring	1
†6		Seal-Rod	1
†7		O-Ring	1
†8		Backup	1

Ref. No.	Part No.	Description	No. Used
9	84-1720	Head	1
†10		Seal-Dust	1
11	84-1730	Ring-Retaining	1
12	84-1740	Clevis W.A.	1
13	302-5	Fitting - Grease	1
*	84-1760	Seal repair Kit (Incl. Ref. #3, 5-8 & 10)	1

\*Not Illustrated

†Not Serviced Separately



T-1032

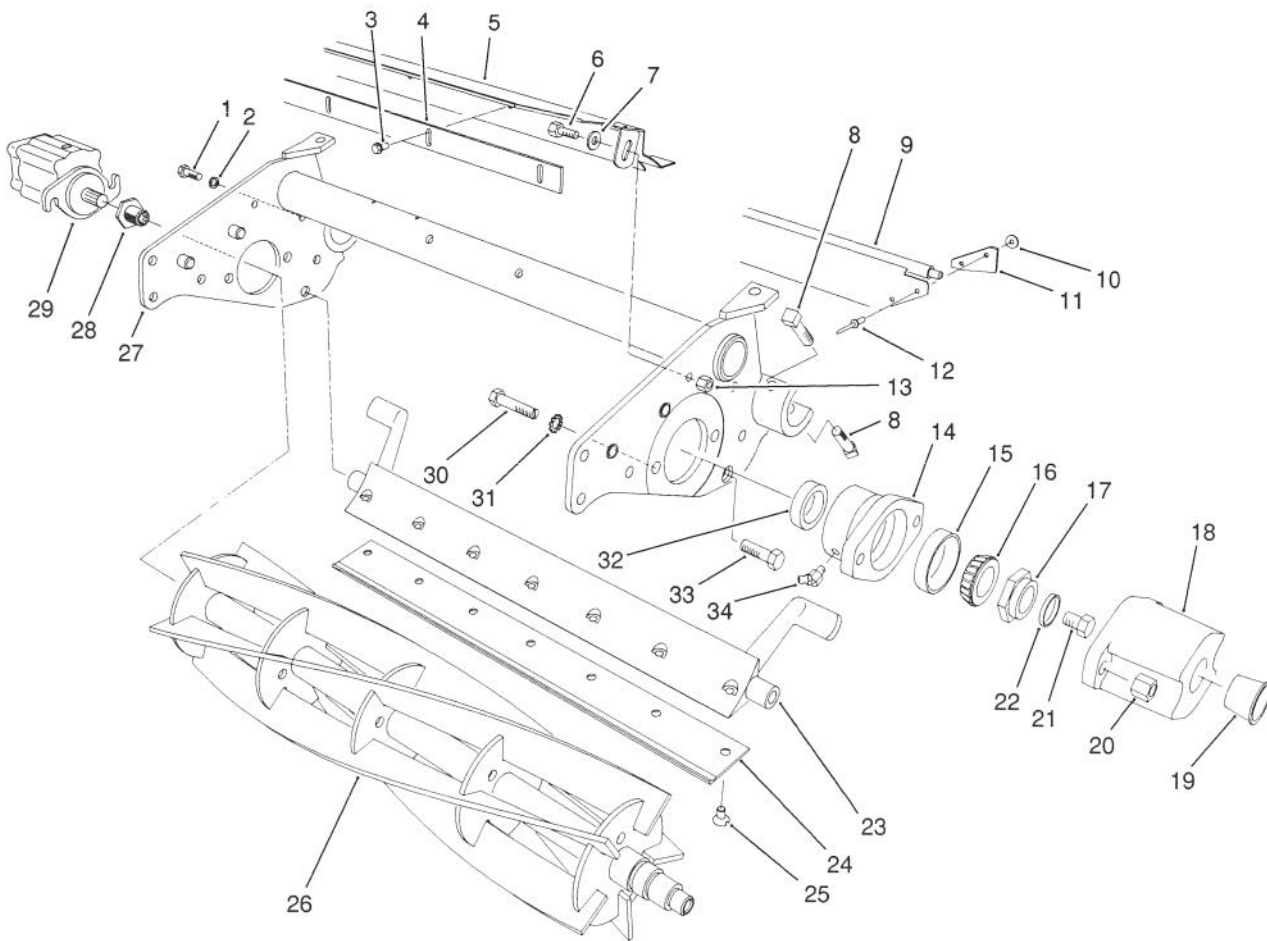
## HYDRAULIC CYLINDER NO. 83-7490

Ref. No.	Part No.	Description	No. Used
†1		Barrel W.A.	1
2	32152-10	Nut	1
†3		Uni-ring	1
4	70-2780	Piston	1
†5		O-Ring	1
†6		Seal-Rod	1
†7		O-Ring	1
†8		Backup	1

Ref. No.	Part No.	Description	No. Used
9	84-1670	Head	1
†10		Seal-Dust	1
11	84-1680	Ring-Retaining	1
12	75-2120	Clevis W.A.	1
13	302-5	Fitting - Grease	1
*	75-2140	Seal repair Kit (Incl. Ref. #3, 5-8 & 10)	1

\*Not Illustrated

†Not Serviced Separately



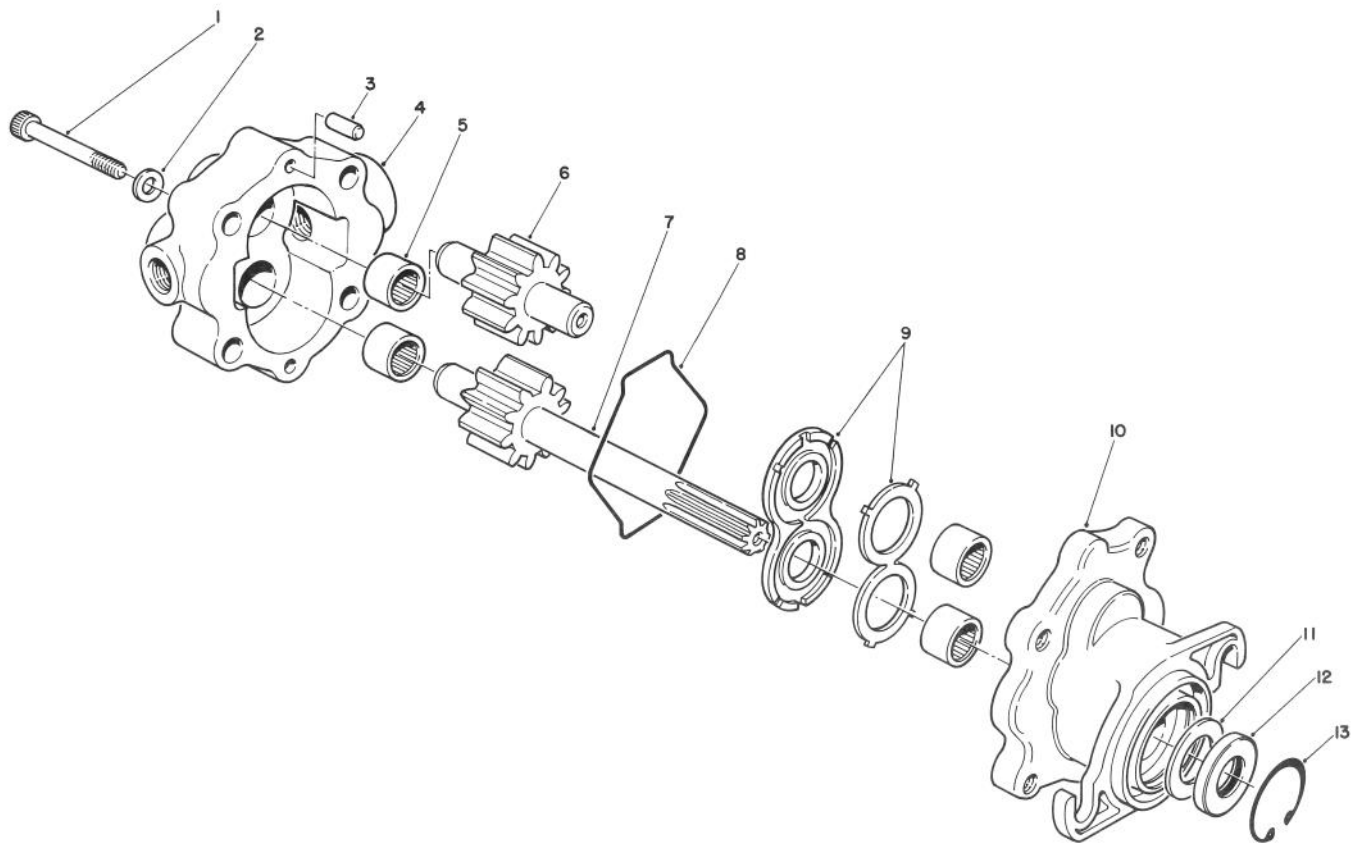
T-1062

## CUTTING UNIT REEL ASSEMBLY

Ref. No.	Part No.	Description	No. Used
1	322-5	Screw - Cap Hex. Hd.	1
2	3253-4	Washer - Lock	1
3	32144-73	Screw - Self Tapping	5
4	36-7260	Bar - Cutoff	1
5	75-1840	Shield - Grass	1
6	321-4	Screw - Cap Hex. Hd.	2
7	3256-1	Washer - Flat	2
8	3243-13	Screw - Sq. Hd. Set	4
9	75-1560	Deflector - Rear	1
10	3256-49	Washer - Flat	4
11	75-1720	Flap - Rear Shield	2
12	3290-409	Rivet - Pop	4
13	3296-42	Nut - Lock	2
14	10-5120	Housing - Bearing	2
15	254-72	Cup - Bearing	2
16	254-94	Cone - Bearing	2
17	3296-60	Nut - Reel	1
18	10-5080	Cap - End	1
19	12-0460	Plug - Hole	1

Ref. No.	Part No.	Description	No. Used
20	3296-39	Nut - Lock L.H.	2
*	32128-36	Nut - Flange Lock R.H.	2
21	323-2	Screw - Cap Hex. Hd. L.H.	1
22	253-61	Seal - Oil	1
23	10-4930	Bedbar	1
24	63-8610	Bedknife	1
25	57-4910	Screw - Bedknife	7
26	14-0659	Reel - 5 Blade	1
*	14-0649	Reel - 8 Blade	1
27	75-6660	Frame - Cutting Unit	1
28	10-5100	Screw - Special	1
29	75-1400	Reel Motor Assembly	1
30	57-3210	Screw - Special	4
31	3255-9	Washer - E.T.L.W.	4
32	253-96	Seal - Oil	2
33	217-74	Bolt - Bedbar	2
34	302-60	Fitting - Grease L.H. 90°	1
*	302-11	Fitting - Grease R.H. 45°	1

\*Not Illustrated



T-1009

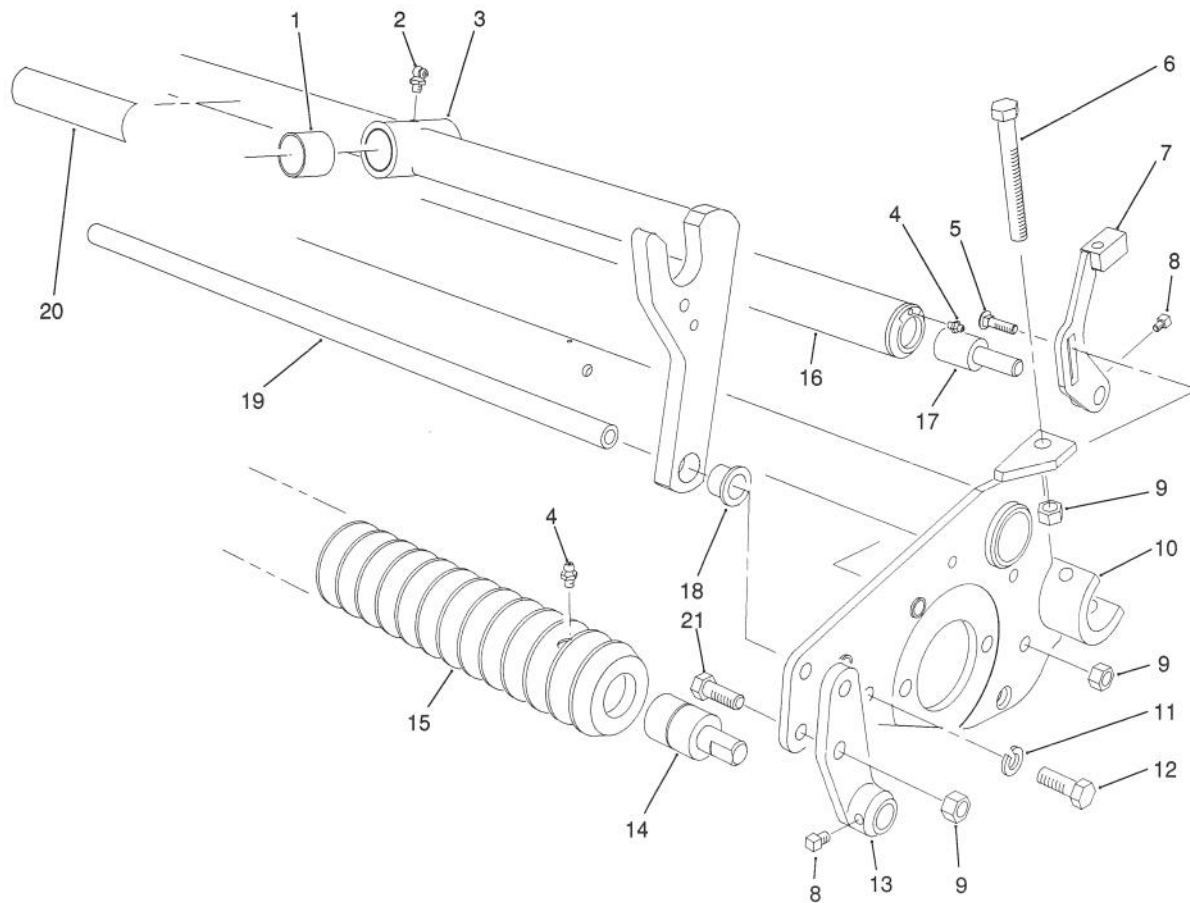
## REEL MOTOR ASSEMBLY NO. 75-1400

Ref. No.	Part No.	Description	No. Used
1	354-50	Screw-Hex Socket Hd.	4
2	354-51	Washer	4
3	353-599	Pin-Dowel	2
4	354-47	Cover Assy. (Incl. Ref. #5)	1
†5		Bearing-Needle	4
6	354-45	Idler Gear Assembly	1
7	354-49	Drive Shaft Assembly	1
8	354-46	Ring-Seal	1
†9		Plate Assembly-Load	1

Ref. No.	Part No.	Description	No. Used
10	354-44	Body Assy. (Incl. Ref. #5)	1
†11		Spacer	1
†12		Seal-Shaft	1
13	32151-41	Ring-Retaining	1
*	72-4380	Seal Kit (Incl. Ref. #11-13)	1
*	75-1270	Repair Kit (Incl. Ref. #8, & 11-13)	1

\*Not Illustrated

†Not Serviced Separately



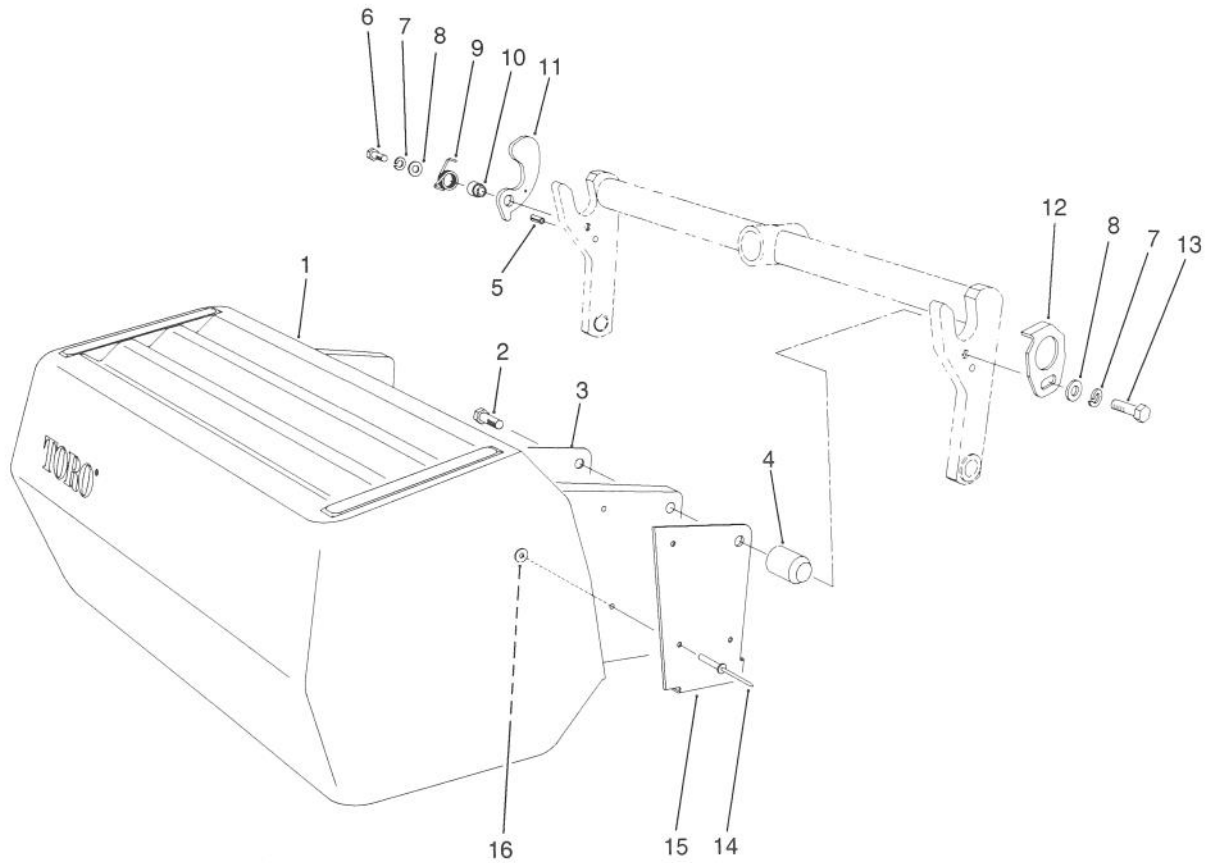
T-1061

## CUTTING UNIT ROLLERS ASSEMBLY

Ref. No.	Part No.	Description	No. Used	Ref. No.	Part No.	Description	No. Used
1	67-1750	Bushing - Sleeve	2	12	323-6	Screw - Cap Hex. Hd.	2
2	302-60	Fitting - Grease	1	13	75-1980	Bracket - HOC Front L.H.	1
3	75-1600	Carrier Frame Assembly (Incl. Ref. #1, 2 & 18)	1	*	75-1960	Bracket - HOC Front R.H.	1
4	302-5	Fitting - Grease	4	14	75-1290	Bearing Assembly	2
5	3231-2	Bolt - Carriage	2	15	75-1520	Wiehle Roller Assembly (Incl. Ref. #4 & 12)	1
6	323-49	Screw - Cap Hex. Hd.	2	16	75-1850	Rear Roller Assembly (Incl. Ref. #4 & 17)	1
7	75-1620	Bracket - HOC Rear L.H.	1	17	21-8430	Bearing Assembly	2
*	75-1610	Bracket - HOC Rear R.H.	1	18	75-2160	Bearing - Flange	2
8	3242-1	Screw - Sq. Hd. Set	4	19	75-1710	Support - Cutting Unit	1
9	3296-39	Nut - Lock	8	‡20	67-7960	Decal - Warning (English)	1
10	75-6660	Cutting Unit Frame Assy. (Incl. Ref. #11, 12 & 19)	1	21	323-7	Screw - Cap Hex. Hd.	4
11	3253-21	Washer - Lock	2				

\*Not Illustrated

‡For different language versions of this part, see International Decal Cross Reference.



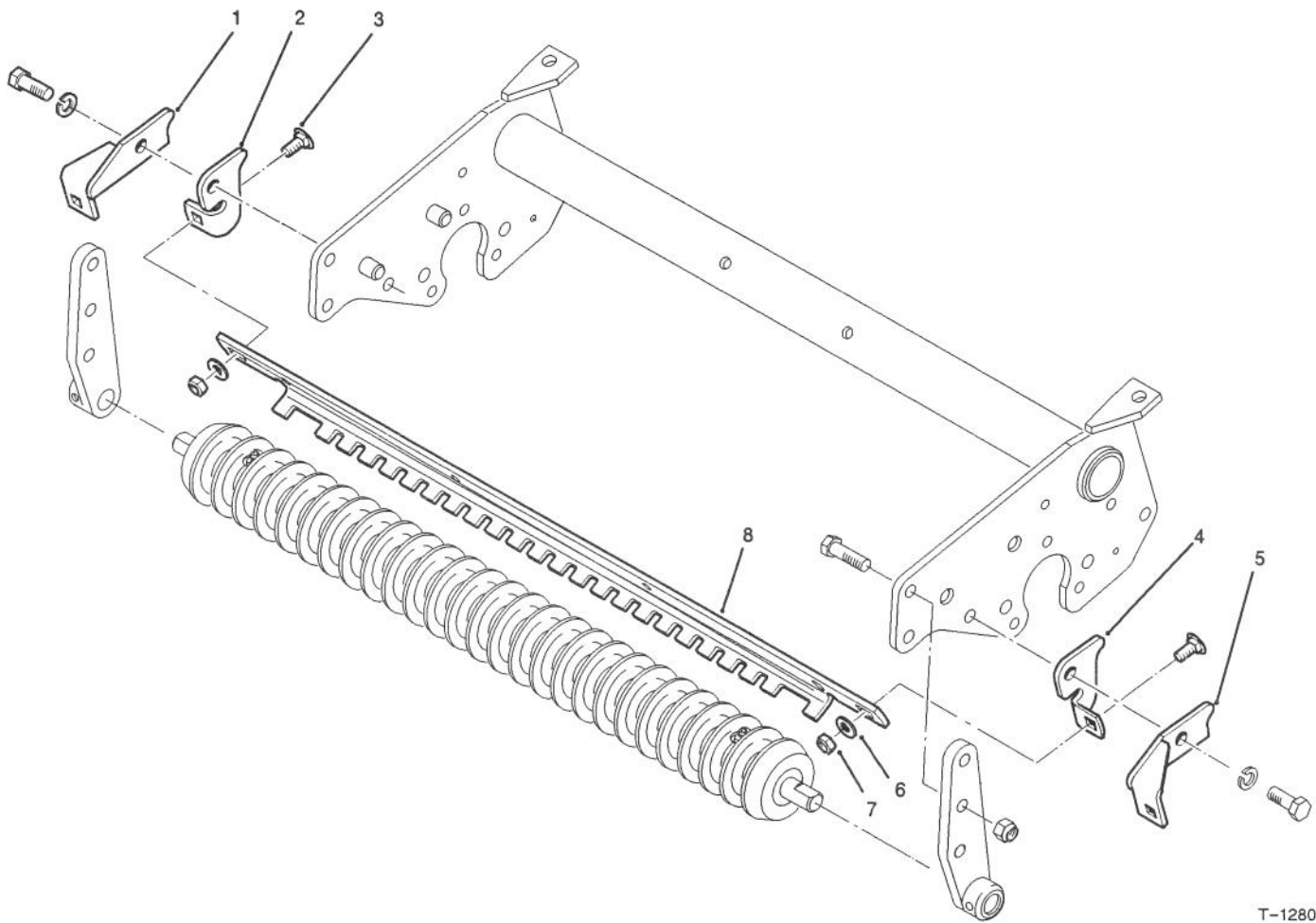
T-1063

## GRASS BASKET ASSEMBLY

Ref. No.	Part No.	Description	No. Used
1	75-4010	Basket - Grass	1
2	323-6	Screw - Cap Hex. Hd.	2
3	75-4030	Support - Basket Inner L.H.	1
*	75-4020	Support - Basket Inner R.H.	1
4	75-3930	Pin - Basket	2
5	32121-11	Pin - Roll	1
6	322-6	Screw - Cap Hex. Hd.	1
7	3253-4	Washer - Lock	2
8	3256-71	Washer - Flat	2

Ref. No.	Part No.	Description	No. Used
9	75-3970	Spring - Torsion R.H.	1
*	75-3960	Spring - Torsion L.H.	1
10	75-3940	Collar - Basket	1
11	75-3950	Bracket - Basket	1
12	75-3920	Guide - Basket	1
13	322-1	Screw - Cap Hex. Hd.	1
14	3269-28	Rivet - Pop	10
15	75-4040	Support - Basket Outer L.H.	1
*	75-4050	Support - Basket Outer R.H.	1
16	3256-49	Washer - Flat	10

\*Not Illustrated  
 Note: Front left, center, and rear right assemblies shown.



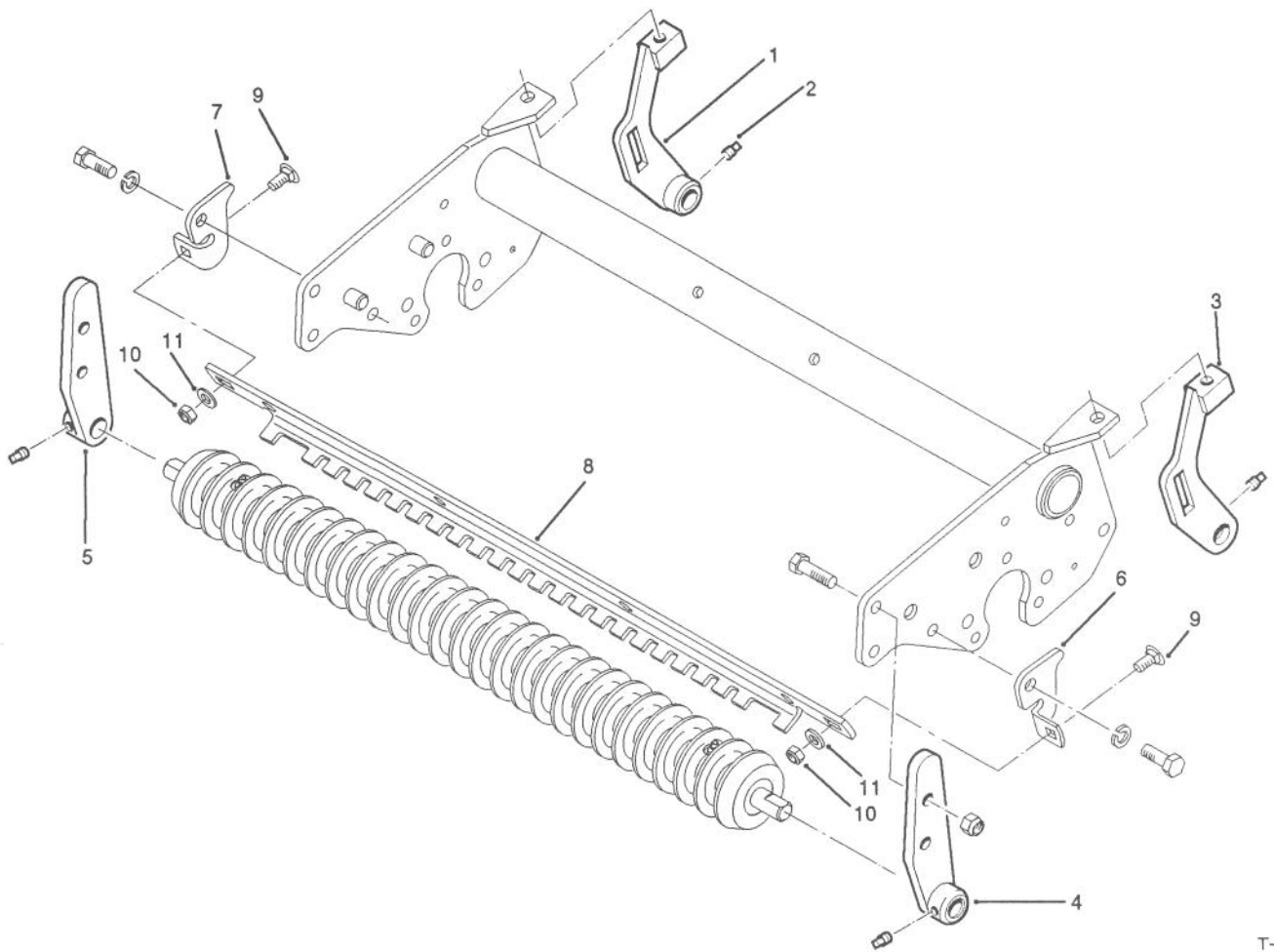
T-1280

## FRONT ROLLER SCRAPER KIT NO. 83-5400 (Optional)

Ref. No.	Part No.	Description	No. Used
1	83-6950	Bracket - Scraper R.H.	1
2	83-6930	Bracket - Scraper R.H.	1
3	3230-1	Bolt - Carriage	2
4	83-6940	Bracket - Scraper L.H.	1

Ref. No.	Part No.	Description	No. Used
5	83-6980	Bracket - Scraper L.H.	1
6	3256-23	Washer - Flat	2
7	3296-29	Nut - Lock	2
8	82-6830	Bracket - Scraper	1

NOTE: Quantities listed per cutting unit.



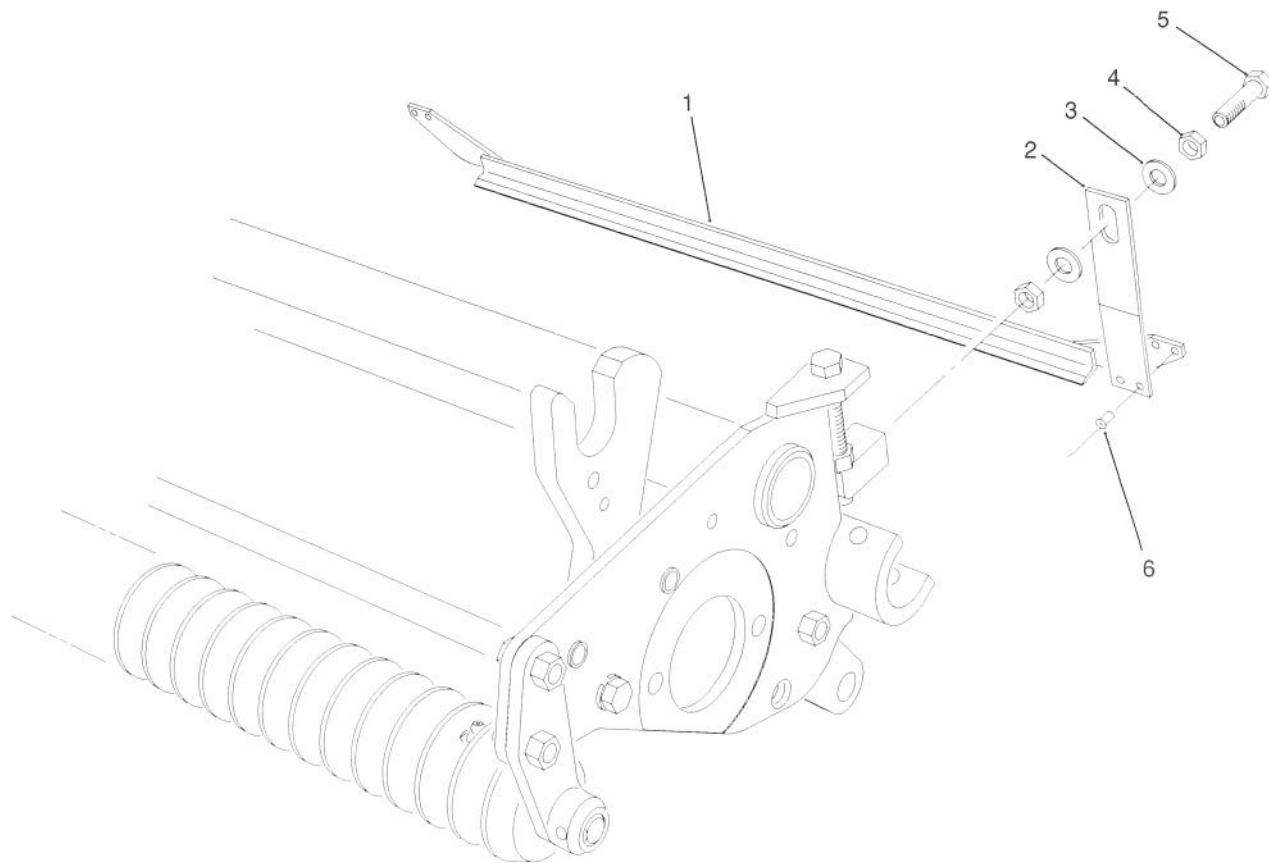
T-1308

## HIGH HEIGHT-OF-CUT KIT NO. 83-5300 (Optional)

Ref. No.	Part No.	Description	No. Used
1	83-5210	H.O.C. - Right Rear	5
2	3242-1	Screw - Set Sq. Hd.	20
3	83-5230	H.O.C. - Left Rear	5
4	83-5250	Support - Front L.H.	5
5	83-5240	Support - Front R.H.	5
*6	83-4880	Bracket - High Scraper L.H.	5

Ref. No.	Part No.	Description	No. Used
*7	83-4870	Bracket - High Scraper R.H.	5
*8	82-6830	Bracket - Scraper	5
*9	3230-1	Bolt - Carriage	10
*10	3296-29	Nut - Lock	10
*11	3256-23	Washer - Flat	10

\*Not Included with Kit. These parts are required to install a front roller scraper when using the High Height-of-Cut Kit.



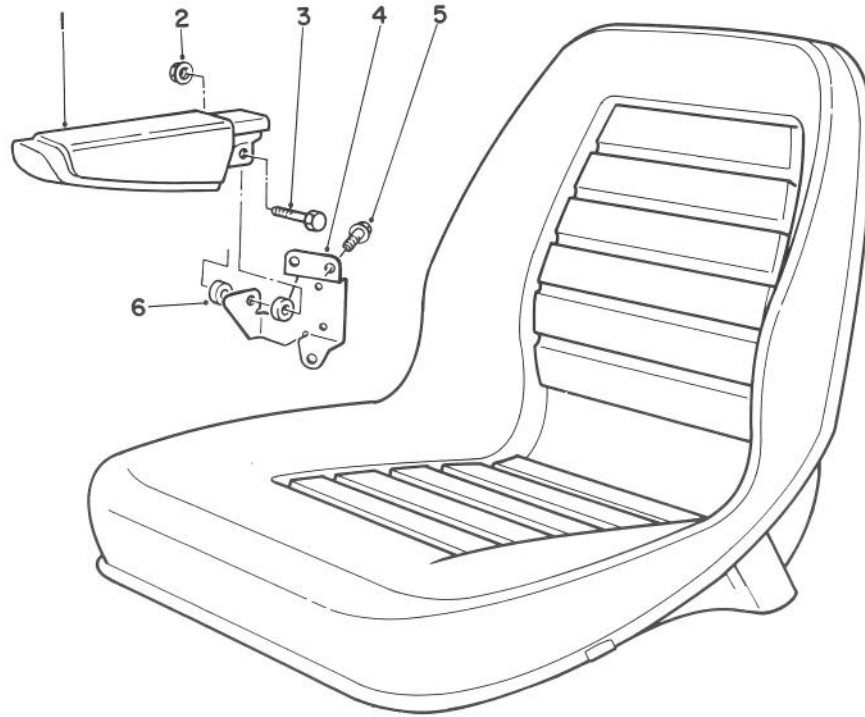
T-1096

## ROLLER SCRAPER KIT MODEL NO. 03512 (Optional)

Ref. No.	Part No.	Description	No. Used
1	75-1750	Scraper - Roller	1
2	75-1740	Spring - Scraper	2
3	3256-24	Washer - Flat	4

Ref. No.	Part No.	Description	No. Used
4	3218-3	Nut - Jam	4
5	323-50	Screw - Cap Hex. Hd.	2
6	3269-3	Rivet - Pop	4

NOTE: Quantities listed per cutting unit.  
\*Not Illustrated



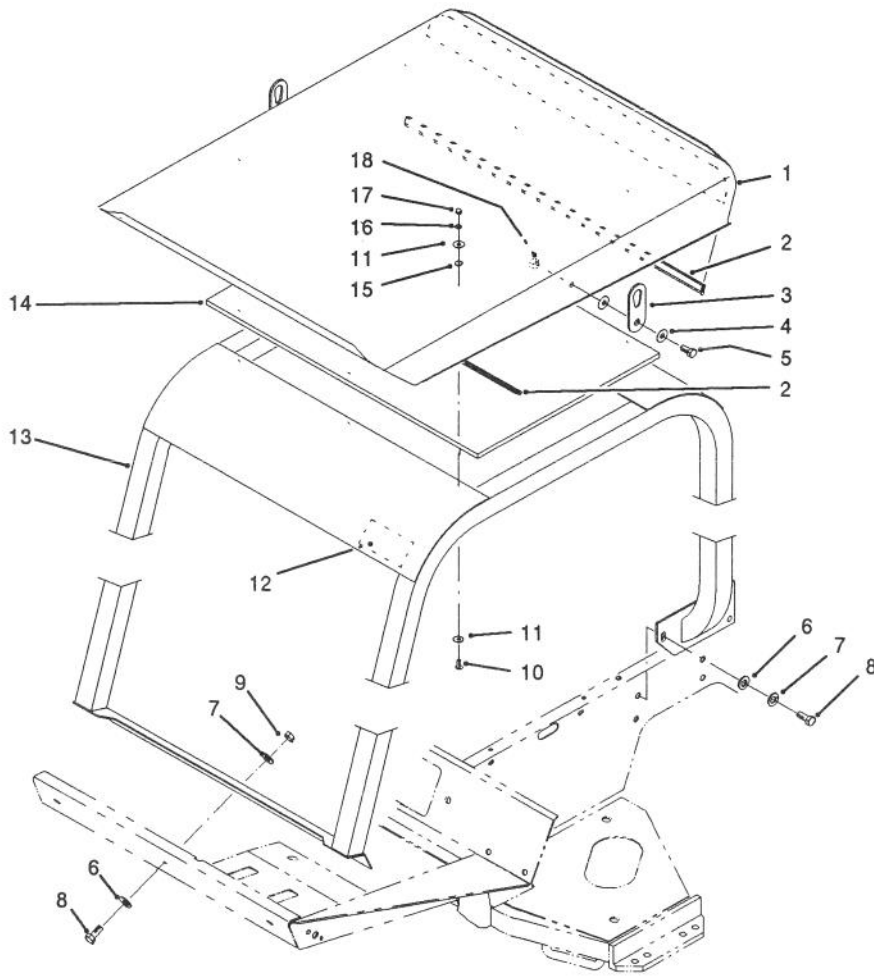
T-0634

## ARMREST KIT MODEL NO. 30707 (Optional)

Ref. No.	Part No.	Description	No. Used
1	69-1180	Armrest	2
2	32128-19	Nut - Flange Lock	2
3	323-9	Screw - Cap Hex. Hd.	2

Ref. No.	Part No.	Description	No. Used
4	69-0770	Bracket - Armrest R.H.	1
*	69-0760	Bracket - Armrest L.H.	1
5	3234-23	Screw - Hex. Flange Hd.	6
6	69-1260	Spacer	4

\*Not Illustrated



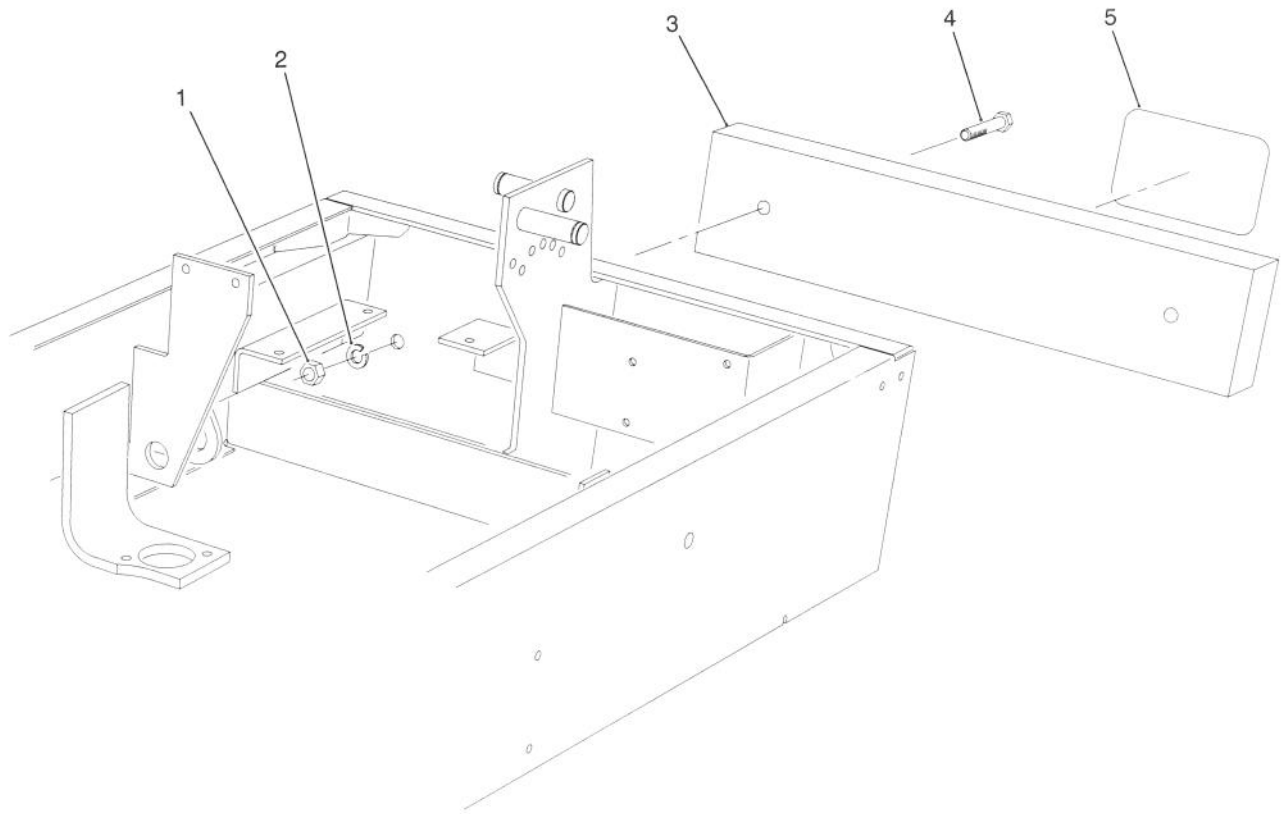
T-1304

## R.O.P.S. ASSEMBLY (Optional)

Ref. No.	Part No.	Description	No. Used	Ref. No.	Part No.	Description	No. Used
1	83-7370	Roof	1	‡12	83-7430	Decal - Danger (English)	1
2	83-7390	Seal	2	13	83-7410	Roll - Bar	1
3	83-7400	Ear - Lift	2	14	83-7380	Insulation - Roof	1
4	3256-24	Washer - Flat	4	15	83-7420	Washer - Rubber	6
5	323-6	Screw - Cap Hex. Hd.	2	16	3253-3	Washer - Lock	6
6	3256-26	Washer - Flat	9	17	32111-7	Nut - Acorn	6
7	3253-7	Washer - Lock	9	18	3296-39	Nut - Lock	2
8	325-5	Screw - Cap Hex. Hd.	9	*	21-4191	Seat Belt Assembly	1
9	3217-9	Nut - Lock	3	*	3212-4	Screw - Cap Hex. Hd.	2
10	3250-45	Screw - Pan Hd.	6	*	3253-6	Washer - Lock	2
11	3256-22	Washer - Flat	12				

\*Not Illustrated

‡For different language versions of this part, see International Decal Cross Reference.



T-1152

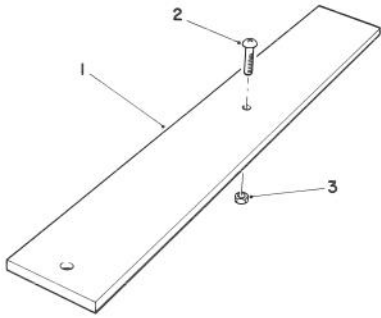
## WEIGHT KIT NO. 75-6690 (Optional)

Ref. No.	Part No.	Description	No. Used
1	3217-9	Nut - Hex.	2
2	3253-27	Washer - Lock	2
3		Bar - Weight	1

Ref. No.	Part No.	Description	No. Used
4	325-8	Screw - Cap Hex. Hd.	2
5	62-5550	Decal - TORO	1

# SPECIAL TOOLS

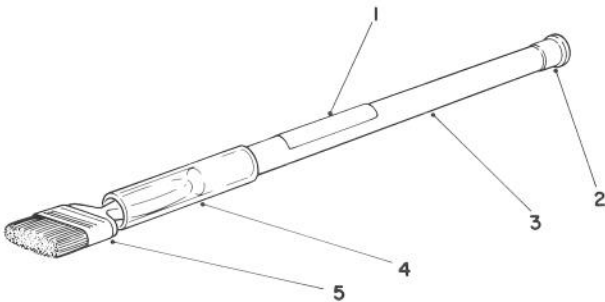
## GAUGE BAR ASSEMBLY NO. 13-8199



T-1151

Ref. No.	Part No.	Description	No. Used
1	65-8320	Bar - Height-Of-Cut	1
2	32122-22	Screw - Phillip Hd.	1
3	3219-14	Nut - Hex.	1

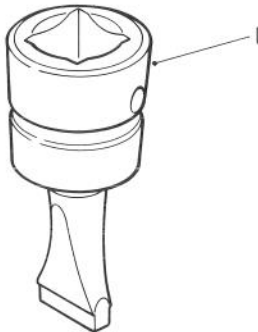
## BACKLAPPING BRUSH ASSEMBLY NO. \*TOR299100



T-0731

Ref. No.	Part No.	Description	No. Used
1	12-9140	Decal	1
2	2410-18	Plug	1
3	29-9080	Handle	1
4	29-9090	Hose - Handle	1
5	36-4310	Brush	1

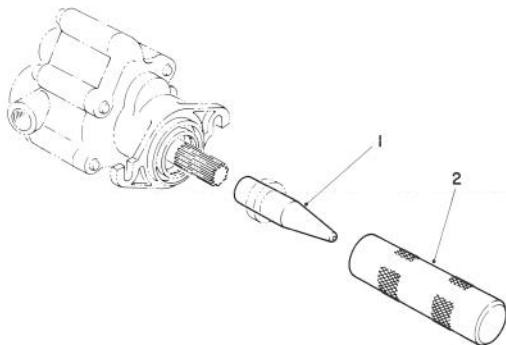
## BEDKNIFE SCREW TOOL NO. \*TOR510880



T-0729

Ref. No.	Part No.	Description	No. Used
1		Tool - Bedknife Screw	1

## HYDRAULIC MOTOR TOOLS



T-0727

Ref. No.	Part No.	Description	No. Used
1	*TOR491430	Protector - Seal	1
2	*TOR491450	Installer - Seal	1

\*Obtain these items directly from OTC 2013 4th St. Owatonna, MN. 55060 1-800-533-0492  
(in Minnesota and Canada 1-507-455-7050) Fax. 507-455-7011.

# INTERNATIONAL DECAL CROSS REFERENCE

## JAPANESE DECAL KIT NO. 83-6880

## DANISH DECAL KIT NO. 83-6870

DESCRIPTION	LOCATION	PART NUMBER	
		ENGLISH	JAPANESE
Decal No Step	Lift Arms	36-3400	84-2780
Decal Diesel Only	Left Fender	52-1320	84-2860
Decal Spring Loaded	Lift Arms	55-4300	84-2940
Decal Important	Tool Box Cover	62-6280	84-3020
Decal No Starting Fluid	Air Cleaner	67-1700	84-3100
Decal Hydraulic Oil	Right Fender	75-0740	84-3180
Decal Backlap	Backlap Bracket	75-0750	84-3260
Decal Towing	Tool Box Cover	75-1280	84-3340
Decal No Riders	Fenders	75-5190	84-3420
Decal Fast/Slow	Steering Tower	75-6710	84-3500
Decal Reels	Under Seat Plate	75-6830	84-3580
Decal Slopes	Tool Box	75-7540	84-3660
Decal Bolt	Frame	77-0490	84-3740
Decal This End Down	Radiator Screen	83-7450	84-3820
Decal Knobs	Seat Plate	83-7440	84-3900
Decal Change Filter	Frame	75-0790	84-3980
Decal Fuses	Inside Control Box	75-0690	84-4060
Decal Reference Chart	Inside Tool Box	75-0730	84-4140
Decal Hands/Feet	Cutting Unit Frames	67-7960	84-4220
Decal Seat Belts	R.O.P.S. Roof	83-7430	84-4300
Decal Asbestos	Behind Front Wheels	75-0810	84-4310

DESCRIPTION	LOCATION	PART NUMBER	
		ENGLISH	DANISH
Decal No Step	Lift Arms	36-3400	84-2770
Decal Diesel Only	Left Fender	52-1320	84-2850
Decal Spring Loaded	Lift Arms	55-4300	84-2930
Decal Important	Tool Box Cover	62-6280	84-3010
Decal No Starting Fluid	Air Cleaner	67-1700	84-3090
Decal Hydraulic Oil	Right Fender	75-0740	84-3170
Decal Backlap	Backlap Bracket	75-0750	84-3250
Decal Towing	Tool Box Cover	75-1280	84-3330
Decal No Riders	Fenders	75-5190	84-3410
Decal Fast/Slow	Steering Tower	75-6710	84-3490
Decal Reels	Under Seat Plate	75-6830	84-3570
Decal Slopes	Tool Box	75-7540	84-3650
Decal Bolt	Frame	77-0490	84-3730
Decal This End Down	Radiator Screen	83-7450	84-3810
Decal Knobs	Seat Plate	83-7440	84-3890
Decal Change Filter	Frame	75-0790	84-3970
Decal Fuses	Inside Control Box	75-0690	84-4050
Decal Reference Chart	Inside Tool Box	75-0730	84-4130
Decal Hands/Feet	Cutting Unit Frames	67-7960	84-4210
Decal Seat Belts	R.O.P.S. Roof	83-7430	84-4290
Decal Asbestos	Behind Front Wheels	75-0810	84-4320

# INTERNATIONAL DECAL CROSS REFERENCE

## DUTCH DECAL KIT NO. 83-6830

## ITALIAN DECAL KIT NO. 83-6860

DESCRIPTION	LOCATION	PART NUMBER	
		ENGLISH	DUTCH
Decal No Step	Lift Arms	36-3400	84-2760
Decal Diesel Only	Left Fender	52-1320	84-2840
Decal Spring Loaded	Lift Arms	55-4300	84-2920
Decal Important	Tool Box Cover	62-6280	84-3000
Decal No Starting Fluid	Air Cleaner	67-1700	84-3080
Decal Hydraulic Oil	Right Fender	75-0740	84-3160
Decal Backlap	Backlap Bracket	75-0750	84-3240
Decal Towing	Tool Box Cover	75-1280	84-3320
Decal No Riders	Fenders	75-5190	84-3400
Decal Fast/Slow	Steering Tower	75-6710	84-3480
Decal Reels	Under Seat Plate	75-6830	84-3560
Decal Slopes	Tool Box	75-7540	84-3640
Decal Bolt	Frame	77-0490	84-3720
Decal This End Down	Radiator Screen	83-7450	84-3800
Decal Knobs	Seat Plate	83-7440	84-3880
Decal Change Filter	Frame	75-0790	84-3960
Decal Fuses	Inside Control Box	75-0690	84-4040
Decal Reference Chart	Inside Tool Box	75-0730	84-4120
Decal Hands/Feet	Cutting Unit Frames	67-7960	84-4200
Decal Seat Belts	R.O.P.S. Roof	83-7430	84-4280
Decal Asbestos	Behind Front Wheels	75-0810	75-0820

DESCRIPTION	LOCATION	PART NUMBER	
		ENGLISH	ITALIAN
Decal No Step	Lift Arms	36-3400	84-2750
Decal Diesel Only	Left Fender	52-1320	84-2830
Decal Spring Loaded	Lift Arms	55-4300	84-2910
Decal Important	Tool Box Cover	62-6280	84-2990
Decal No Starting Fluid	Air Cleaner	67-1700	84-3070
Decal Hydraulic Oil	Right Fender	75-0740	84-3150
Decal Backlap	Backlap Bracket	75-0750	84-3230
Decal Towing	Tool Box Cover	75-1280	84-3310
Decal No Riders	Fenders	75-5190	84-3390
Decal Fast/Slow	Steering Tower	75-6710	84-3470
Decal Reels	Under Seat Plate	75-6830	84-3550
Decal Slopes	Tool Box	75-7540	84-3630
Decal Bolt	Frame	77-0490	84-3710
Decal This End Down	Radiator Screen	83-7450	84-3790
Decal Knobs	Seat Plate	83-7440	84-3870
Decal Change Filter	Frame	75-0790	84-3950
Decal Fuses	Inside Control Box	75-0690	84-4030
Decal Reference Chart	Inside Tool Box	75-0730	84-4110
Decal Hands/Feet	Cutting Unit Frames	67-7960	84-4190
Decal Seat Belts	R.O.P.S. Roof	83-7430	84-4270
Decal Asbestos	Behind Front Wheels	75-0810	75-0850

# INTERNATIONAL DECAL CROSS REFERENCE

## SPANISH DECAL KIT NO. 83-6850

## GERMAN DECAL KIT NO. 83-6810

DESCRIPTION	LOCATION	PART NUMBER	
		ENGLISH	SPANISH
Decal No Step	Lift Arms	36-3400	84-2740
Decal Diesel Only	Left Fender	52-1320	84-2820
Decal Spring Loaded	Lift Arms	55-4300	84-2900
Decal Important	Tool Box Cover	62-6280	84-2980
Decal No Starting Fluid	Air Cleaner	67-1700	84-3060
Decal Hydraulic Oil	Right Fender	75-0740	84-3140
Decal Backlap	Backlap Bracket	75-0750	84-3220
Decal Towing	Tool Box Cover	75-1280	84-3300
Decal No Riders	Fenders	75-5190	84-3380
Decal Fast/Slow	Steering Tower	75-6710	84-3460
Decal Reels	Under Seat Plate	75-6830	84-3540
Decal Slopes	Tool Box	75-7540	84-3620
Decal Bolt	Frame	77-0490	84-3700
Decal This End Down	Radiator Screen	83-7450	84-3780
Decal Knobs	Seat Plate	83-7440	84-3860
Decal Change Filter	Frame	75-0790	84-3940
Decal Fuses	Inside Control Box	75-0690	84-4020
Decal Reference Chart	Inside Tool Box	75-0730	84-4100
Decal Hands/Feet	Cutting Unit Frames	67-7960	84-4180
Decal Seat Belts	R.O.P.S. Roof	83-7430	84-4260
Decal Asbestos	Behind Front Wheels	75-0810	75-0860

DESCRIPTION	LOCATION	PART NUMBER	
		ENGLISH	GERMAN
Decal No Step	Lift Arms	36-3400	84-2730
Decal Diesel Only	Left Fender	52-1320	84-2810
Decal Spring Loaded	Lift Arms	55-4300	84-2890
Decal Important	Tool Box Cover	62-6280	84-2970
Decal No Starting Fluid	Air Cleaner	67-1700	84-3050
Decal Hydraulic Oil	Right Fender	75-0740	84-3130
Decal Backlap	Backlap Bracket	75-0750	84-3210
Decal Towing	Tool Box Cover	75-1280	84-3290
Decal No Riders	Fenders	75-5190	84-3370
Decal Fast/Slow	Steering Tower	75-6710	84-3450
Decal Reels	Under Seat Plate	75-6830	84-3530
Decal Slopes	Tool Box	75-7540	84-3610
Decal Bolt	Frame	77-0490	84-3690
Decal This End Down	Radiator Screen	83-7450	84-3770
Decal Knobs	Seat Plate	83-7440	84-3850
Decal Change Filter	Frame	75-0790	84-3930
Decal Fuses	Inside Control Box	75-0690	84-4010
Decal Reference Chart	Inside Tool Box	75-0730	84-4090
Decal Hands/Feet	Cutting Unit Frames	67-7960	84-4170
Decal Seat Belts	R.O.P.S. Roof	83-7430	84-4250
Decal Asbestos	Behind Front Wheels	75-0810	75-0840

# INTERNATIONAL DECAL CROSS REFERENCE

## FRENCH DECAL KIT NO. 83-6920

DESCRIPTION	LOCATION	PART NUMBER	
		ENGLISH	FRENCH
Decal No Step	Lift Arms	36-3400	84-2720
Decal Diesel Only	Left Fender	52-1320	84-2800
Decal Spring Loaded	Lift Arms	55-4300	84-2880
Decal Important	Tool Box Cover	62-6280	84-2960
Decal No Starting Fluid	Air Cleaner	67-1700	84-3040
Decal Hydraulic Oil	Right Fender	75-0740	84-3120
Decal Backlap	Backlap Bracket	75-0750	84-3200
Decal Towing	Tool Box Cover	75-1280	84-3280
Decal No Riders	Fenders	75-5190	84-3360
Decal Fast/Slow	Steering Tower	75-6710	84-3440
Decal Reels	Under Seat Plate	75-6830	84-3520
Decal Slopes	Tool Box	75-7540	84-3600
Decal Bolt	Frame	77-0490	84-3680
Decal This End Down	Radiator Screen	83-7450	84-3760
Decal Knobs	Seat Plate	83-7440	84-3840
Decal Change Filter	Frame	75-0790	84-3920
Decal Fuses	Inside Control Box	75-0690	84-4000
Decal Reference Chart	Inside Tool Box	75-0730	84-4080
Decal Hands/Feet	Cutting Unit Frames	67-7960	84-4160
Decal Seat Belts	R.O.P.S. Roof	83-7430	84-4240
Decal Asbestos	Behind Front Wheels	75-0810	75-0830

## SWEDISH DECAL KIT NO. 83-6840

DESCRIPTION	LOCATION	PART NUMBER	
		ENGLISH	SWEDISH
Decal No Step	Lift Arms	36-3400	84-2710
Decal Diesel Only	Left Fender	52-1320	84-2790
Decal Spring Loaded	Lift Arms	55-4300	84-2870
Decal Important	Tool Box Cover	62-6280	84-2950
Decal No Starting Fluid	Air Cleaner	67-1700	84-3030
Decal Hydraulic Oil	Right Fender	75-0740	84-3110
Decal Backlap	Backlap Bracket	75-0750	84-3190
Decal Towing	Tool Box Cover	75-1280	84-3270
Decal No Riders	Fenders	75-5190	84-3350
Decal Fast/Slow	Steering Tower	75-6710	84-3430
Decal Reels	Under Seat Plate	75-6830	84-3510
Decal Slopes	Tool Box	75-7540	84-3590
Decal Bolt	Frame	77-0490	84-3670
Decal This End Down	Radiator Screen	83-7450	84-3750
Decal Knobs	Seat Plate	83-7440	84-3830
Decal Change Filter	Frame	75-0790	84-3910
Decal Fuses	Inside Control Box	75-0690	84-3990
Decal Reference Chart	Inside Tool Box	75-0730	84-4070
Decal Hands/Feet	Cutting Unit Frames	67-7960	84-4150
Decal Seat Belts	R.O.P.S. Roof	83-7430	84-4230
Decal Asbestos	Behind Front Wheels	75-0810	75-0870

# PART NUMBER INDEX

Part No.	Description	Pg. Ref. No. No. Qty.	Part No.	Description	Pg. Ref. No. No. Qty.
3-3251	Spring - Compression	3 12 1	27-7130	Clamp Assembly	52 4 1
3-6498	Washer - Thrust	29 22 2	27-7140	Baffle	52 2 1
3-6498	Washer - Thrust	57 30 6	27-7150	Cup Assembly	52 1 1
3-6498	Washer - Thrust	59 21 4	27-7160	Decal - Instructions	51 5 1
3-6657	Clamp - Cable	6 30 1	27-7170	Band Assembly	52 7 2
3-6657	Clamp - Cable	36 48 1	27-7220	Air Cleaner Soap	52 * 1
5-0743	Spring - Counterbalance	59 1 2	27-9560	Spacer	35 46 1
5-0743	Spring - Extension	57 22 3	28-0660	Screw-Cap, Hex Hd.	26 21 8
5-1096	Chain - Cutting Unit	59 27 2	28-0670	Seal-Oil	26 8 2
5-1226	Washer - Shim	54 8 A/R	28-0680	Drum-Brake	26 13 2
5-1226	Washer - Thrust	55 48 2	28-1280	Boot - Cable	51 18 1
5-3637	Washer - Flat	35 23 1	29-6162	Switch - Neutral	29 6 1
7-3900	Pad - Brake	5 26 2	29-9080	Handle	74 3 1
10-4930	Bedbar	64 23 1	29-9090	Hose - Handle	74 4 1
10-5080	Cap - End	64 18 1	33-1260	Cover Assembly	52 12 1
10-5100	Screw - Special	64 28 1	33-1270	Bowl	52 11 1
10-5120	Housing - Bearing	64 14 2	36-3400	Decal - No Step (English)	58 † 2
10-6830	Stud - Drive	54 27 10	36-4310	Brush	74 5 1
10-8110	Washer - Thrust	54 9 2	36-7260	Bar - Cutoff	64 4 1
12-0460	Plug - Hole	64 19 1	37-2690	Capacitor	10 29 1
12-5450	Screw-Thread Forming	24 13 8	42-6080	Shim - Axle	22 37 A/R
12-9140	Decal	74 1 1	42-7080	Cap	40 2 2
13-6259	Battery	51 16 1	42-7190	Bushing - Knock	44 33 2
14-0649	Reel - 8 Blade	64 * 1	42-7210	Plug-Taper	39 19 1
14-0659	Reel - 5 Blade	64 26 1	42-7290	Gasket - Drain	39 16 2
21-0140	Joint - Ball	54 35 2	42-7510	Pipe	41 4 1
21-0150	Joint - Ball L.H. Thread	54 39 2	42-7510	Pipe	41 9 1
21-2820	Hub - Rear Wheel	54 18 2	42-7840	Key	40 20 1
21-4191	Seat Belt Assembly	72 * 1	42-7860	Lock	37 33 12
21-7670	Case-Differential	25 33 1	42-7870	Seal	37 30 6
21-7690	Gear-Pinion	24 6 2	42-8240	Gasket	46 6 3
21-7700	Shaft-Pinion Mate	25 31 1	42-8690	Metal - Sealing	48 37 1
21-7710	Pin-Roll	25 30 1	42-8700	Wire	48 38 1
21-7720	Washer-Thrust	24 4 2	42-8830	Seal - O-Ring	48 6 1
21-7730	Washer-Thrust	24 7 2	42-8830	Seal - O-Ring	48 10 1
21-7770	Screw-Drive Gear	25 32 5	42-9110	Gasket	41 21 1
21-7820	Gasket - Cover	22 5 1	42-9260	Plug - Drain	39 15 1
21-8020	Spacer-Front Pinion	25 25 1	42-9420	Bolt - Speed Set	48 33 4
21-8090	Diff. Adjust. Shim .003	25 38 A/R	42-9430	Bolt W/Washer	41 7 1
21-8100	Diff. Adjust. Shim .005	25 37 A/R	42-9430	Bolt W/Washer	48 12 2
21-8110	Diff. Adjust. Shim .010	25 36 A/R	42-9440	Bolt W/Washer	37 25 4
21-8120	Diff. Adjust. Shim .030	25 35 A/R	42-9440	Bolt W/Washer	39 8 11
21-8150	Gear-Spur	24 14 1	42-9440	Bolt W/Washer	50 24 1
21-8180	Bearing	26 3 2	42-9490	Bolt W/Washer	39 18 18
21-8230	Vent Tube Assembly	25 39 1	42-9490	Bolt W/Washer	40 11 2
21-8270	Pin-Dowel	24 3 2	42-9490	Bolt W/Washer	43 10 4
21-8320	Gasket-Bearing, Wheel	26 20 2	42-9510	Bolt	38 42 1
21-8330	Seal-Oil	26 2 2	42-9570	Stud	41 20 4
21-8360	Clip-Retaining	26 12 2	42-9590	Nut	37 17 6
21-8390	Cup-Bearing	25 24 1	42-9640	Nut - Jam	48 9 2
21-8430	Bearing Assembly	66 17 2	42-9650	Nut - Jam	44 30 1
21-9260	Seal - Shaft	3 27 1	42-9660	Washer	38 39 3
21-9370	Screw-Adjusting	26 16 2	42-9660	Washer	50 4 1
21-9380	Nut-Pivot	26 17 2	42-9850	Washer - Lock	34 14 4
21-9390	Socket-Adjusting Screw	26 15 2	42-9850	Washer - Lock	35 26 2
21-9420	Spring-Shoe Return, L.H.	26 19 2	43-0090	Screw - Cap Hex. Hd.	34 20 3
21-9430	Spring-Shoe Return, R.H.	26 7 2	43-0370	Shim	50 5 1
21-9440	Spring-Adjusting Screw	26 14 2	43-0510	Spring - Brush	50 14 2
21-9450	Shield-Dust	26 5 2	43-1920	Nut Set	50 17 1
21-9460	Retainer-Brake, Parking	26 10 4	43-2550	Filter	44 18 1
23-2270	Bushing - Rubber	29 26 1	43-2560	Gasket - Side Cover	44 19 1
23-4810	Gear - Pinion	22 32 1	43-2570	Gasket-Coil Side	44 17 1
23-7270	Nut - Lug	22 1 10	43-2580	Magnet	44 20 1
24-8780	Differential Case Assembly	25 * 1	43-2690	Pair of Lined Brake Shoes	26 * 2
24-8790	Gear-Bevel, Differential	24 5 2	43-2690	Shoe & Lining Assembly	26 9 4
24-8840	Ring-Bearing, Wheel	26 22 2	43-2710	Seal - O-Ring	41 36 2
24-9180	Lever, Brake, Parking	26 4 2	43-2740	Gasket	34 8 1
25-4980	Cover - Gear	22 4 1	43-2750	Nut - Lock	34 9 1
27-2360	Ignition Switch Assembly	10 19 1	43-2820	Cap - Sealing	38 47 1
27-3710	Dipstick - Axle	23 41 1	43-2820	Cap - Sealing Torque Set	48 32 1
27-5340	Hose - Fuel	21 11 1	43-3160	Screw - Adjusting	38 44 1
27-6852	Shaft-Axle, Flanged R.H.	26 * 1	43-3220	Screw - Cap Hex. Hd.	34 5 2
27-6862	Shaft-Axle, Flanged L.H.	26 1 1	43-5220	Ring-Retaining	61 11 1
27-7110	Element Assembly	52 8 1	43-5920	Washer - Lock	35 25 1
27-7120	Nut	52 3 1			

\*Not Illustrated

# PART NUMBER INDEX (Continued)

Part No.	Description	Pg. No.	Ref. No.	Qty.	Part No.	Description	Pg. No.	Ref. No.	Qty.
43-5960	Nut - Special	38	46	1	63-6720	Bracket - Fan Idler	35	41	1
43-5970	Nut - Hex.	35	24	1	63-6760	Throttle Cable Swivel Assy.	6	29	2
43-6710	Diff. Adjust. Shim .003	24	15	A/R	63-6890	Hinge - Hood R.H.	1	*	1
43-6711	Diff. Adjust. Shim .005	24	16	A/R	63-6900	Hinge - Hood L.H.	1	15	1
43-6712	Diff. Adjust. Shim .010	24	17	A/R	63-7140	Mount - Engine	35	34	4
43-6713	Diff. Adjust. Shim .030	24	18	A/R	63-7380	Expansion Tank Assembly	51	6	1
43-6750	Cup-Bearing, Tapered	24	10	1	63-7400	Washer - Flat	35	33	4
43-6760	Cone-Bearing, tapered	24	9	1	63-7430	Gauge - Temperature	10	8	1
43-6800	Nut-Lock	26	18	8	63-7440	Solenoid - Stop	34	10	1
43-6810	Spider-Torque	26	6	2	63-7590	Relay - Starter	32	35	1
44-2670	Hose - Fuel	21	19	1	63-7610	Hose - Fuel	21	1	1
46-6550	Connector - Fuel Elbow 90°	21	21	1	63-7610	Hose-Fuel	53	8	1
46-6560	Grommet	21	22	2	63-7620	Hose-Fuel	53	4	1
46-8091	Screw - Cap Hex. Hd.	2	43	4	63-7640	Unit - Sending	21	8	1
47-0110	Spacer - Spindle	35	4	1	63-7650	Fuel Filter Assembly	51	13	1
48-4220	Air Cleaner Assembly	51	4	1	63-7650	Fuel Filter Assembly	53	*	1
48-4220	Air Filter Assembly	52	*	1	63-7732	Cable - Brake R.H.	5	*	1
48-7430	Pre-Cleaner Assembly	52	*	1	63-7733	Cable - Brake L.H.	5	29	1
48-7700	Screw - Cap Hex. Hd.	35	17	1	63-7790	Screw - Cap Hex. Hd.	35	11	8
48-7930	Nut - Lock	34	13	4	63-7880	Pin - Brake Latch	5	28	1
48-9570	Washer - Lock	34	6	2	63-7900	Rack - Parking Brake	3	20	1
48-9590	Washer - Lock	34	21	1	63-8140	Pulley - Idler	35	43	1
48-9590	Washer - Lock	35	12	10	63-8280	Head - Hydraulic Filter	13	31	1
49-1430	Protector - Seal	65	*	1	63-8280	Head-Filter, Fuel	53	2	1
49-1450	Installer - Seal	65	*	1	63-8290	Vent-Air	53	3	1
49-2040	Screw - Hex. Washer Hd.	2	47	2	63-8300	Element-Spin-On	53	7	1
49-2040	Screw - Hex. Washer Hd.	18	25	4	63-8310	Valve-Drain	53	6	1
49-2040	Screw - Thread Forming	57	2	10	63-8360	Key - Ignition	10	9	1
49-2040	Screw - Thread Forming	60	41	4	63-8410	Washer - Flat	13	37	3
49-6440	Plate - Traction Pedal	5	11	1	63-8410	Washer - Flat	21	26	3
52-1320	Decal - Fuel (English)	1	28	1	63-8610	Bedknife	64	24	1
52-2860	Washer - Flat	7	51	4	65-5100	Handle	1	5	2
53-4430	Decal - Oil	18	26	1	65-8320	Bar - Height-Of-Cut	74	1	1
53-8130	Gasket - Muffler	34	15	1	66-2320	Bracket - Engine L.H. Front	35	36	1
53-8150	Pump Assembly	44	21	1	66-2330	Base - Battery	51	30	1
53-8150	Pump Assembly	47	*	1	66-2490	Clamp - Battery	51	22	1
54-8660	Washer	50	25	1	66-2920	Spacer - Throttle	6	31	2
54-9040	Yoke - End	34	26	1	66-2940	Gauge - Fuel	10	1	1
54-9180	Kit - U-Joint	34	25	1	66-2960	Cluster - Warning	10	7	1
55-4300	Decal - Warning (English)	57	33	3	66-3180	Tube - Vent	32	22	1
55-4300	Decal - Warning (English)	59	37	2	66-3240	Cap - Radiator	32	8	1
56-0020	Plug	40	24	3	66-5400	Seat Assembly	6	1	1
56-0020	Plug - Expansion	41	18	1	66-8121	Standpipe - Elbow 90°	21	20	1
56-0020	Plug-Expansion	44	12	3	66-8520	Bumper-Downstop	8	17	2
56-0100	Plug - Taper	44	37	1	66-8530	Adjuster	8	16	1
56-0220	Pin - Dowel	44	35	2	66-8560	Nut-Push	8	11	4
56-0480	Key - Woodruff	37	18	2	66-8610	Weldment-Lower	8	10	1
56-0480	Key - Woodruff	40	8	1	66-8800	Relay - Glow Plug	32	37	1
56-1060	Snap Ring	40	15	1	66-9290	Spacer	8	15	6
56-1230	Shaft - Oil Filter	44	28	1	66-9770	Seal	4	28	1
56-1570	Bolt Set	49	8	1	66-9780	Bushing	4	29	1
56-1580	Armature Set	49	23	1	66-9850	Bolt-Special	4	36	4
56-1590	Bearing - Front	49	22	1	66-9860	Upper Cover & Jacket	4	37	1
56-1600	Bearing - Rear	49	21	1	66-9870	Plate-Retaining	4	38	1
56-1610	Bolt	49	16	1	66-9880	Washer-Retaining Plate	4	39	1
56-1640	Stopper Set	49	13	1	66-9890	Ring-Retaining	4	40	1
56-1670	Gear	49	10	1	66-9900	Shaft-Input	4	41	1
56-1680	Cover Set	49	9	1	66-9970	Spring Kit	4	*	1
56-1700	Holder - Brush	49	18	1	66-9980	Seal-Kit	4	*	1
56-1710	Spring - Brush	49	19	4	66-9990	Needle Roller Kit	4	*	1
56-1720	Bracket - Rear	49	17	1	67-1630	Spacer - Fan	35	8	1
56-7974	Clamp - Tube	32	34	1	67-1690	Fitting - Fuel Elbow 90°	21	30	2
57-3210	Screw - Special	64	30	4	67-1700	Decal - Starting Fluid	51	3	1
57-4910	Screw - Bedknife	64	25	7	67-1750	Bushing - Sleeve	57	9	12
57-6390	Nut - Lock	35	27	2	67-1750	Bushing - Sleeve	59	25	8
61-2790	Screen - Filler	13	3	1	67-1750	Bushing - Sleeve	66	1	2
62-3820	Fitting - Grease	34	24	1	67-1751	Bushing - Sleeve	54	10	6
62-3880	Fitting - Grease	34	4	1	67-2200	Seal	40	4	4
62-5550	Decal - TORO	1	1	1	67-2210	Plug - Taper	44	36	3
62-5550	Decal - TORO	73	5	1	67-2230	Seal-Oil	44	14	1
62-6280	Decal - Important (English)	2	50	1	67-2250	Bolt	40	5	8
62-6300	Sleeve Assembly	52	10	1	67-2260	Shaft-Idler	44	34	1
62-7400	Decal - TORO	1	11	1	67-2270	Case - Oil Seal	44	15	1
62-7650	Gasket - Sending Unit	21	7	1	67-2280	Gasket-Seal, Oil	44	13	1

\* Not Illustrated

# PART NUMBER INDEX (Continued)

Part No.	Description	Pg. No.	Ref. No.	Qty.	Part No.	Description	Pg. No.	Ref. No.	Qty.
67-2290	Cover	44	10	1	67-3080	Snap Ring	40	23	1
67-2300	Gasket	44	9	1	67-3090	Gear Assembly	40	13	1
67-2310	Plate - Front	39	6	1	67-3100	Retainer	37	32	6
67-2320	Gasket - Plate	39	7	1	67-3110	Spring	37	31	6
67-2330	Bolt	41	34	4	67-3120	Tappet	37	6	6
67-2330	Bolt	42	49	2	67-3130	Valve - Intake	37	28	3
67-2330	Bolt	43	3	2	67-3140	Valve - Exhaust	37	29	3
67-2330	Bolt	44	16	6	67-3150	Rod-Push	37	5	6
67-2340	Bolt W/Washer	39	3	3	67-3160	Arm-Rocker	37	1	6
67-2340	Bolt W/Washer	41	17	4	67-3170	Spring	38	40	2
67-2340	Bolt W/Washer	44	11	2	67-3180	Cap	37	34	6
67-2340	Screw - Hex. Washer Hd.	34	18	1	67-3190	Rocker Shaft Assembly	37	38	1
67-2350	Plug - Expansion	44	25	1	67-3200	Stay - Rocker	37	35	3
67-2360	Bushing - Knock	44	26	2	67-3210	Screw - Adjusting	37	4	6
67-2370	Bushing - Knock	44	32	1	67-3220	Pin	37	37	1
67-2380	Bushing - Knock	44	27	3	67-3230	Nut - Jam	37	2	6
67-2390	Plug - Taper	44	24	1	67-3240	Snap Ring	37	3	2
67-2410	Bearing Set 0.25 mm US	40	*	1	67-3250	Bolt-Rocker Stay	38	43	2
67-2420	Bearing Set 0.50 mm US	40	*	1	67-3260	Washer	38	41	3
67-2430	Bracket - Starter	44	23	1	67-3260	Washer	48	8	2
67-2440	Bolt W/Washer	44	22	3	67-3260	Washer	50	3	1
67-2480	Gasket - Oil Pan	39	17	1	67-3280	Shim 0.2 mm	44	38	1
67-2500	Plunger - Relief	39	25	1	67-3290	Shim 0.3 mm	44	*	1
67-2510	Spring - Relief	39	26	1	67-3300	Shim 0.5 mm	44	*	1
67-2520	Plug	39	28	1	67-3310	Shim 0.4 mm	44	*	1
67-2530	Gear - Inner	39	12	1	67-3320	Shim 0.6 mm	44	*	1
67-2540	Gear - Outer	39	11	1	67-3330	Shim 0.7 mm	45	38	1
67-2550	Housing - Oil Pump	39	10	1	67-3340	Shim 0.8 mm	45	*	1
67-2560	Bolt W/Washer	39	9	3	67-3350	Shim 0.9 mm	45	*	1
67-2570	Plug - Taper	39	29	1	67-3360	Shim 1.0 mm	45	*	1
67-2570	Plug - Taper	41	19	1	67-3370	Bolt W/Washer	45	39	4
67-2580	Gasket - Case	39	2	1	67-3380	Nozzle & Holder Assembly	44	6	1
67-2590	Seal - Oil	39	23	1	67-3380	Nozzle and Holder Assembly	47	*	3
67-2600	Bolt	39	21	3	67-3390	Gasket - Nozzle Holder	44	7	3
67-2600	Bolt	43	5	1	67-3400	Pipe Assy. No. 1	45	42	1
67-2610	Bolt	39	22	4	67-3410	Pipe Assy. No. 2	45	43	1
67-2610	Bolt	43	9	2	67-3420	Pipe Assy. No. 3	44	1	1
67-2620	Bolt	39	24	1	67-3430	Nut	44	2	3
67-2630	Seal - O-Ring	39	20	2	67-3440	Gasket	44	4	3
67-2640	Cap	39	30	1	67-3460	Housing-Pump	46	9	1
67-2650	Cap - Oil Filler	41	11	1	67-3480	Seal - O-Ring	46	4	3
67-2650	Oil Fill Cap Assembly	39	32	1	67-3490	Spring	46	5	3
67-2660	Seal - O-Ring	39	31	1	67-3500	Valve	46	7	3
67-2660	Seal - O-Ring	41	10	1	67-3520	Sleeve	46	10	3
67-2670	Hose - Breather	41	8	1	67-3530	Seat - Spring Upper	46	11	3
67-2680	Hanger - Engine	41	16	2	67-3540	Spring	46	12	3
67-2700	Guide - Valve	41	42	6	67-3550	Seat - Spring Lower	46	13	3
67-2710	Cap - Sealing	41	41	3	67-3560	Plate - Shim 1.85 mm	46	14	1
67-2730	Bolt	41	43	8	67-3570	Plate - Shim 1.9 mm	46	*	1
67-2740	Bolt - Flange	41	15	3	67-3580	Plate - Shim 1.95 mm	46	*	1
67-2750	Cover Assembly	41	6	1	67-3590	Plate - Shim 2.0 mm	46	*	1
67-2760	Gasket	41	14	1	67-3600	Plate - Shim 2.05 mm	46	*	1
67-2770	Nut - Cap	41	12	2	67-3610	Plate - Shim 2.1 mm	46	*	1
67-2780	Washer	41	13	2	67-3620	Plate - Shim 2.15 mm	46	*	1
67-2850	Rod Assembly-Connecting	37	9	3	67-3630	Plate - Shim 2.2 mm	46	*	1
67-2860	Bolt	37	12	6	67-3640	Plate - Shim 2.25 mm	46	*	1
67-2890	Bearing Set 0.25 mm US	37	*	3	67-3650	Plate - Shim 2.3 mm	46	14	1
67-2900	Bearing Set 0.50 mm US	37	*	3	67-3660	Plate - Shim 2.35 mm	46	*	1
67-2910	Gear	37	7	1	67-3670	Plate - Shim 2.4 mm	46	*	1
67-2920	Crankshaft	37	16	1	67-3680	Plate - Shim 2.45 mm	46	*	1
67-2930	Pulley - Crankshaft	37	19	1	67-3690	Plate - Shim 2.5 mm	46	*	1
67-2940	Nut - Jam	37	22	1	67-3700	Tappet	46	15	3
67-2950	Washer	37	20	1	67-3710	Screw - Air Bleed	46	24	1
67-2960	Washer - Lock	37	21	1	67-3720	Washer	46	23	1
67-2970	Flywheel Assembly	37	13	1	67-3730	Screw	46	22	1
67-2980	Gear - Ring	37	15	1	67-3740	Holder-Delivery Valve	46	3	3
67-2990	Bolt	37	14	4	67-3740	Nipple - Swivel	46	21	1
67-3000	Washer	40	10	2	67-3750	Washer	46	20	2
67-3010	Cam Shaft	40	7	1	67-3760	Plate - Lock	46	2	3
67-3020	Gear	40	12	1	67-3770	Screw W/Washer	46	1	3
67-3030	Bearing	40	9	2	67-3780	Rack	46	19	1
67-3040	Plate	40	14	1	67-3790	Screw	46	17	2
67-3050	Bearing	40	22	1	67-3800	Bracket - Wire Stop	46	18	1
67-3060	Shaft	40	21	1	67-3810	Pin - Tappet Guide	46	16	3
67-3070	Gear	40	17	1	67-3830	Washer 1.25 mm	46	31	1

\*Not Illustrated

# PART NUMBER INDEX (Continued)

Part No.	Description	Pg. Ref.		Part No.	Description	Pg. Ref.	
		No.	Qty.			No.	Qty.
67-3840	Washer 1.3 mm	47	31	67-4680	Plug - Glow	41	39
67-3850	Washer 1.35 mm	47	*	67-4690	Plate - Glow Plug	41	40
67-3860	Washer 1.4 mm	47	*	67-4700	Lamp - Glow	41	27
67-3870	Washer 1.45 mm	47	*	67-4700	Resistor - Glow	32	44
67-3880	Washer 1.5 mm	47	*	67-4720	Lever	49	4
67-3890	Washer 1.55 mm	47	*	67-4730	Spring Set	49	5
67-3900	Washer 1.6 mm	47	*	67-4750	Switch	49	7
67-3910	Washer 1.65 mm	47	31	67-4760	Shaft Assembly	49	15
67-3920	Washer 1.7 mm	47	*	67-4770	Pinion Set	49	14
67-3930	Spring	46	30	67-4780	Gear Set	49	12
67-3940	Pin - Pressure	46	29	67-4790	Shaft	49	11
67-3950	Piece - Distance	46	28	67-4800	Yoke	49	20
67-3960	Nozzle	46	27	67-4810	Pulley Set	50	16
67-3970	Nut - Retaining	46	25	67-4820	Bolt Set	50	20
67-3980	Gasket	46	26	67-4830	Front Bracket Assembly	50	15
67-3990	Lever - Speed Control	48	1	67-4840	Screw Set	50	18
67-4000	Pin	48	2	67-4850	Bearing - Front	50	19
67-4010	Stopper	48	15	67-4860	Rotor Assembly	50	7
67-4030	Rod - Tie	48	23	67-4870	Bearing - Rear	50	6
67-4040	Weight Assembly	48	13	67-4880	Stator	50	10
67-4050	Shaft - Governor	48	19	67-4890	Rear Cover Assembly	50	9
67-4060	Lever - Governor	48	18	67-4900	Terminal Set	50	11
67-4070	Shaft - Sliding	48	16	67-4910	Regulator Assembly	50	12
67-4080	Clip	48	24	67-4920	Brush	50	13
67-4090	Lever - Tension	48	21	67-4930	Rectifier	50	8
67-4110	Cover Assembly	48	*	67-5040	Spring	48	20
67-4120	Pin - Grooved	48	35	67-5100	Sleeve - Connector	6	22
67-4130	Cover - Governor	48	4	67-5110	Screw - Special	6	21
67-4140	Lever - Stop	48	11	67-5120	Washer - Spring	6	23
67-4150	Lever - Stop	48	40	67-5130	Washer - Flat	6	24
67-4160	Gasket	48	5	67-5140	Washer - I.T.L.W.	6	25
67-4170	Spring Set	48	*	67-5150	Nut - Hex.	6	26
67-4180	Nut	48	31	67-7130	Diode	9	2
67-4190	Spring - Torque	48	28	67-7160	Block - Fuse	10	21
67-4200	Nut - Special	48	30	67-7250	Spacer - Cylinder	54	13
67-4210	Case - Torque Spring	48	26	67-7960	Decal - Warning (English)	66	20
67-4220	Screw - Adjusting	48	29	67-9410	Washer - Thrust	54	29
67-4230	Stopper	48	27	67-9550	Kit - Seat Cushion	6	45
67-4270	Bolt	48	3	67-9560	Shell - Seat	6	2
67-4280	Bolt W/Washer	48	17	67-9570	Edging - Seat	6	44
67-4290	Nut	48	34	68-5140	Cap - Steering Wheel	3	7
67-4310	Gasket	37	23	68-5370	Decal - TORO	3	5
67-4330	Oil Filter Assembly	45	40	68-6150	Breather - Hydraulic Tank	13	2
67-4340	Screen Assembly	44	31	69-0760	Bracket - Armrest L.H.	71	*
67-4350	Switch - Oil Pressure	43	8	69-0770	Bracket - Armrest R.H.	71	4
67-4360	Pulley - Water Pump	43	1	69-1180	Armrest	71	1
67-4380	Water Pump Assembly	43	6	69-1260	Spacer	71	6
67-4390	Gasket - Water Pump	43	7	69-4120	Cartridge Assembly N.C.	17	25
67-4400	Bolt	41	1	69-4230	Seal Kit	17	30
67-4400	Bolt	43	4	69-4240	Seal Kit	17	26
67-4410	V-Belt	43	2	69-4290	Solenoid Coil Assembly	17	4
67-4420	Fitting - Water	42	46	69-4300	Nut	17	1
67-4430	Gasket - Fitting	42	45	69-4320	Fitting - Hydraulic 90°	15	25
67-4440	Thermostat	41	38	69-4780	Clamp - Hour Meter	11	42
67-4450	Fitting - Thermostat	41	32	70-2760	Upper Housing	25	26
67-4460	Gasket - Switch	41	31	70-2780	Piston	61	4
67-4470	Bolt	41	33	70-2780	Piston	63	4
67-4480	Pipe - By-Pass	41	37	70-8220	Cable - Ground	35	31
67-4490	Gasket	41	30	70-8460	Fuel Pump Assembly	21	2
67-4500	Switch - Thermo	41	29	70-8530	Wire - Fuel Pump	21	28
67-4510	Gauge Nut - Temperature	41	35	70-8560	Retainer - Glow Resister	32	45
67-4520	Pipe	41	2	70-8570	Breaker - Circuit	9	3
67-4530	Cover - Intake	41	5	70-8620	Cap - Fuel Tank (Green)	21	23
67-4540	Seal - O-Ring	41	3	70-8621	Cap - Fuel Tank (Black)	21	*
67-4550	Gasket-Intake Manifold	41	44	70-8640	Cap - Hydraulic Reservoir	13	8
67-4560	Manifold - Exhaust	41	24	70-8700	Pipe - Fuel Return	44	3
67-4570	Gasket - Exhaust Manifold	41	26	70-8720	Spring - Tie Rod	48	22
67-4580	Bolt	41	22	70-8760	Starter Assembly	49	1
67-4590	Bolt	41	23	70-8770	Bracket - Front	49	3
67-4610	Bolt W/Washer	49	2	70-8780	Bracket - Center	49	6
67-4620	Spacer	50	21	70-8870	Guide - Oil Level	44	8
67-4630	Alternator Assembly	50	1	70-8880	Dipstick	44	5
67-4640	Bolt	50	22	71-1520	Cap - Expansion Tank	51	7
67-4660	Bolt - Flange	50	26	71-2910	Bracket - Engine R.H. Rear	35	10
67-4670	Nut	50	2				

\*Not Illustrated

# PART NUMBER INDEX (Continued)

Part No.	Description	Pg. No.	Ref. No.	Qty.	Part No.	Description	Pg. No.	Ref. No.	Qty.
71-4330	Seal	25	41	1	75-0390	Plate - Swash	27	12	1
71-4350	Nut	24	20	1	75-0400	Plate - Thrust	27	13	2
72-3570	Shim .094 - Diff. Adjust.	24	22	A/R	75-0410	O-Ring	27	3	1
72-3571	Shim .096 - Diff. Adjust.	24	*	A/R	75-0420	Shaft - Pump	27	11	1
72-3572	Shim .098 - Diff. Adjust.	24	*	A/R	75-0430	Ring - Retaining	27	1	1
72-3573	Shim .100 - Diff. Adjust.	24	22	A/R	75-0440	Shaft - Motor	27	45	1
72-3574	Shim .102 - Diff. Adjust.	24	*	A/R	75-0450	Collar	28	50	1
72-3575	Shim .104 - Diff. Adjust.	24	*	A/R	75-0460	Bearing - Ball	28	51	2
72-3576	Shim .106 - Diff. Adjust.	24	*	A/R	75-0470	Cylinder Block Kit	27	14	2
72-3577	Shim .108 - Diff. Adjust.	24	*	A/R	75-0480	Pin	27	10	2
72-3578	Shim .110 - Diff. Adjust.	24	*	A/R	75-0490	Plate - Valve	27	44	1
72-3580	Shim .112 - Diff. Adjust.	24	*	A/R	75-0500	Bearing - Needle	27	16	2
72-3581	Shim .114 - Diff. Adjust.	24	*	A/R	75-0510	Pin	27	17	2
72-3582	Shim .116 - Diff. Adjust.	24	*	A/R	75-0520	Bearing - Ball	27	4	1
72-3583	Shim .118 - Diff. Adjust.	24	*	A/R	75-0530	Controller - Electronic	10	31	1
72-3584	Shim .120 - Diff. Adjust.	24	*	A/R	75-0540	Tether - Cap	13	7	1
72-3585	Shim .125 - Diff. Adjust.	24	*	A/R	75-0550	Strainer - Suction	13	29	1
72-3586	Shim .127 - Diff. Adjust.	24	*	A/R	75-0560	Wheel - Steering	3	4	1
72-3587	Shim .129 - Diff. Adjust.	24	*	A/R	75-0570	Cable - Hood	1	14	1
72-3588	Shim .131 - Diff. Adjust.	24	*	A/R	75-0580	Panel - Tower	3	10	1
72-3590	Shim .133 - Diff. Adjust.	24	*	A/R	75-0590	Panel - Control	10	14	1
72-3591	Shim .135 - Diff. Adjust.	24	*	A/R	75-0600	Steering Valve Assembly	3	26	1
72-3592	Shim .137 - Diff. Adjust.	24	*	A/R	75-0600	Valve-Power Steering	4	*	1
72-3593	Shim .139 - Diff. Adjust.	24	*	A/R	75-0610	Tread - Foot R.H.	2	*	1
72-3594	Shim .141 - Diff. Adjust.	24	*	A/R	75-0620	Tread - Foot L.H.	2	37	1
72-3595	Shim .143 - Diff. Adjust.	24	*	A/R	75-0630	Tread - Foot Center	2	40	1
72-3596	Shim .145 - Diff. Adjust.	24	*	A/R	75-0640	Tread - Footrest R.H.	2	*	1
72-3597	Shim .147 - Diff. Adjust.	24	*	A/R	75-0650	Tread - Footrest L.H.	2	36	1
72-3598	Shim .149 - Diff. Adjust.	25	22	A/R	75-0660	Decal - Reelmaster® 223D	1	8	2
72-3600	Shim .151 - Diff. Adjust.	25	*	A/R	75-0670	Decal - Hood Trim L.H.	1	12	1
72-3620	Gear & Pinion Assembly	25	*	1	75-0680	Decal - Hood Trim R.H.	1	*	1
72-4380	Seal Kit	65	*	1	75-0690	Decal - Instruction	10	27	1
72-6140	Cover - Rear	50	27	1	75-0711	Front Axle Assembly	23	43	1
74-0720	Tube - Manual	6	10	1	75-0720	Housing-Lower	25	34	1
74-2310	Clamp - Capacitor	10	30	1	75-0730	Decal - Instructions	2	48	1
74-5520	Clutch - Fan	36	53	1	75-0740	Decal - Hydraulic Oil	1	4	1
74-9100	Pad - Forward	5	12	1	75-0750	Decal - Backlap Switch	32	41	1
74-9110	Pad - Reverse	5	14	1	75-0760	Decal - Solenoid Info.	6	40	1
75-0010	Transmission Assembly	22	9	1	75-0780	Hydraulic Cylinder Assembly	58	46	1
75-0020	Housing	27	5	1	75-0780	Hydraulic Cylinder Assy.	60	40	2
75-0030	Gasket - Housing	27	46	1	75-0800	Gear Pump Assembly	30	18	1
75-0040	Center Section	27	18	1	75-0810	Decal - Caution (English)	23	48	2
75-0060	Plug	27	20	4	75-0890	Hood	1	6	1
75-0070	Plug	27	41	1	75-0900	Engine Assembly	35	22	1
75-0080	Trunion	27	7	1	75-0920	Relief Cartridge Assembly	17	28	1
75-0090	Screw - Cap Hex Hd.	27	9	8	75-0930	Hook - Oil Cooler	33	50	4
75-0100	Trunion	28	49	1	75-0940	Guard - Flywheel	34	22	1
75-0110	Screw - Cap Hex Hd.	27	35	2	75-1010	Toggle Switch Assembly	10	16	1
75-0120	Screw - Cap Hex Hd.	27	28	1	75-1020	Switch - Backlap	32	38	1
75-0130	Screw - Cap Hex Hd.	27	24	3	75-1040	Cooler - Oil	32	2	1
75-0140	Spring - Conical	27	26	1	75-1070	Muffler	34	11	1
75-0150	Guide - Seal	27	2	1	75-1080	Tank - Fuel	21	24	1
75-0160	Plug - Pipe	28	47	1	75-1100	Support - Rear Axle	54	4	1
75-0170	Plug - Straight Thread	27	19	4	75-1170	Reservoir - Hydraulic	13	1	1
75-0180	Screw - Cap Hex Hd.	27	36	2	75-1180	Manifold	19	7	2
75-0190	Plug - Special	27	27	2	75-1180	Manifold - Hydraulic	18	21	1
75-0200	Plug - Straight Thread	27	38	2	75-1190	Manifold - Hydraulic	18	18	1
75-0210	O-Ring	27	6	2	75-1200	Hydraulic Cylinder Assembly	55	47	1
75-0220	Pin	28	48	2	75-1210	Nut-Lock	56	2	1
75-0230	Seal - Lip	27	8	1	75-1220	Piston	56	3	1
75-0240	O-Ring	27	21	6	75-1230	Piston Rod Assembly	56	5	1
75-0250	Spring	27	22	1	75-1250	Seal Kit	56	6	1
75-0260	Valve - Relief	27	23	4	75-1260	Head-Internal	56	4	1
75-0270	Spring	27	39	1	75-1270	Repair Kit	65	*	1
75-0280	Spring	27	42	1	75-1280	Decal - Warning (English)	1	22	1
75-0290	Spring	27	43	1	75-1290	Bearing Assembly	66	14	2
75-0300	Valve - SCR	27	25	1	75-1310	Element - Hydraulic Filter	13	34	1
75-0310	Shim	27	40	1	75-1330	Filter - Oil	22	27	1
75-0320	Nipple	27	37	1	75-1350	Cable - Throttle	6	20	1
75-0330	Seal - Lip	27	34	1	75-1360	Cable - Battery (Ground)	35	20	1
75-0340	Bearing - Needle	27	33	1	75-1370	Battery Cable Assy. (+)	51	17	1
75-0350	Pin	27	31	1	75-1380	Belt - V	35	44	1
75-0360	Gerotor	27	30	1	75-1390	Panel - Access	2	39	1
75-0370	O-Ring	27	29	1	75-1400	Motor - Hydraulic	20	21	5
75-0380	Plate - Valve	27	15	1					

\*Not Illustrated

# PART NUMBER INDEX (Continued)

Part No.	Description	Pg. Ref. No. No. Qty.	Part No.	Description	Pg. Ref. No. No. Qty.
75-1400	Reel Motor Assembly	64 29 1	75-3750	Pin - Pivot	59 38 2
75-1410	Panel - Floor	2 41 1	75-3780	Fan	36 52 1
75-1420	Cover - Steering Tower	1 2 1	75-3790	Clevis W.A.	61 12 1
75-1430	Brake Pedal Assembly R.H.	5 35 1	75-3810	Bracket - Roller	59 11 2
75-1440	Pedal - Brake L.H.	5 33 1	75-3840	Fender - R.H.	1 3 1
75-1470	Shaft - Brake Pedal	5 36 1	75-3860	Fender - L.H.	1 29 1
75-1490	Rod - Parking Brake	3 13 1	75-3880	Plate - Seat	6 15 1
75-1520	Wiehle Roller Assembly	66 15 1	75-3920	Guide - Basket	67 12 1
75-1560	Deflector - Rear	64 9 1	75-3930	Pin - Basket	67 4 2
75-1600	Carrier Frame Assembly	66 3 1	75-3940	Collar - Basket	67 10 1
75-1610	Bracket - HOC Rear R.H.	66 * 1	75-3950	Bracket - Basket	67 11 1
75-1620	Bracket - HOC Rear L.H.	66 7 1	75-3960	Spring - Torsion L.H.	67 * 1
75-1710	Support - Cutting Unit	66 19 1	75-3970	Spring - Torsion R.H.	67 9 1
75-1720	Flap - Rear Shield	64 11 2	75-4010	Basket - Grass	67 1 1
75-1740	Spring - Scraper	70 2 2	75-4020	Support - Basket Inner R.H.	67 * 1
75-1750	Scraper - Roller	70 1 1	75-4030	Support - Basket Inner L.H.	67 3 1
75-1840	Shield - Grass	64 5 1	75-4040	Support - Basket Outer L.H.	67 15 1
75-1850	Rear Roller Assembly	66 16 1	75-4050	Support - Basket Outer R.H.	67 * 1
75-1960	Bracket - HOC Front R.H.	66 * 1	75-4060	Screen - Radiator	32 1 1
75-1980	Bracket - HOC Front L.H.	66 13 1	75-4080	Plate - Traction	29 15 1
75-2010	Relief Cartridge Assembly	17 29 1	75-4090	Switch Arm Assembly	29 21 1
75-2020	Solenoid Assembly	17 36 2	75-4100	Control - Pump	29 25 1
75-2030	Solenoid Assembly N.O.	17 27 2	75-4130	Plate - Switch	29 7 1
75-2040	Solenoid Assembly N.C.	17 8 1	75-4140	Bracket - Spring	29 16 1
75-2050	Solenoid Assembly N.C.	17 24 3	75-4180	Pin - Rear Axle Pivot	55 44 1
75-2060	Rotary Cartridge Assembly	17 23 2	75-4220	Bracket - Fan	35 40 1
75-2070	Plug - Orifice	17 31 2	75-4250	Bracket - Expansion Tank	51 23 1
75-2080	Seal Kit	17 7 8	75-4260	Support - Radiator	32 5 1
75-2090	Seal Kit	17 35 3	75-4310	Shield - Radiator	32 30 1
75-2110	Head	61 9 1	75-4350	Shroud - Fan	32 12 1
75-2120	Clevis W.A.	63 12 1	75-4360	Bracket - Switch	6 8 1
75-2140	Seal repair Kit	61 * 1	75-4370	Bracket - Switch (Seat)	6 3 1
75-2140	Seal repair Kit	63 * 1	75-4380	Bracket - Fuse Block	10 23 1
75-2150	Control Manifold Assembly	15 6 1	75-4400	Adaptor - Transmission	30 8 1
75-2160	Bearing - Flange	66 18 2	75-4410	Pivot Plate Assembly	55 42 1
75-2170	Tube - Pump Control	5 37 1	75-4420	Spindle - Rear R.H.	54 * 1
75-2190	Sleeve - Pump	30 6 1	75-4440	Spindle - Rear L.H.	54 15 1
75-2200	Frame Assembly	1 32 1	75-4450	Hub - Fan Drive	35 6 1
75-2240	Hose - Radiator Upper	32 18 1	75-4490	Bracket - Muffler	34 16 1
75-2260	Hose - Radiator Lower	32 21 1	75-4520	Spring - Torsion R.H.	59 29 1
75-2430	Coupling - Transmission	30 7 1	75-4530	Spring - Torsion L.H.	59 * 1
75-2460	Hose - Air Cleaner	35 15 1	75-4550	Shaft - Center Arm Pivot	57 27 1
75-2460	Hose - Air Cleaner	51 1 1	75-4590	Rod - Pivot	59 28 2
75-2810	Clamp - Steering Valve	3 3 1	75-4630	Coupling - Driveshaft	34 7 1
75-2820	Grill - Hood	1 7 1	75-4650	Bracket - Spring Rear L.H.	59 * 1
75-2830	Bracket - Engine L.H. Rear	35 28 1	75-4690	Bracket - Spring Rear R.H.	59 6 1
75-2850	Hose - Expansion Tank	32 10 1	75-4700	Hose - Fuel	21 13 1
75-2850	Hose - Expansion Tank	51 9 1	75-4701	Hose - Fuel	21 15 1
75-2860	Bracket - Hose	1 35 1	75-4701	Hose - Fuel Vent	32 24 1
75-2860	Bracket - Hose	32 31 1	75-4710	Harness - Warning Light	10 * 1
75-2900	Rear Axle Assembly	55 45 1	75-4720	Fitting - Hydraulic 90°	22 23 1
75-2970	Pedal - Traction	5 13 1	75-4900	Bearing Set STD	40 3 1
75-3010	Joint - Arm	58 54 3	75-4910	Oil Pan Assembly	39 14 1
75-3010	Joint - Arm	59 31 2	75-4920	Case	39 1 1
75-3040	Carrier Frame Assembly	58 44 1	75-4930	Cylinder Head Assembly	41 28 1
75-3100	Transmission Support Assy.	22 7 1	75-4940	Brace - Alternator	50 23 1
75-3110	Collar - Transmission	22 8 1	75-4950	Gasket - Cylinder Head	41 25 1
75-3130	Rod - Tie	54 37 2	75-4960	Block Assembly	40 1 1
75-3140	Bracket - Air Cleaner	51 25 1	75-4970	Element	46 8 3
75-3270	Lever - Traction Pivot	5 8 1	75-4980	Lever - Governor Spring	48 7 1
75-3300	Frame - Seat	6 27 1	75-4990	Spring - Governor	48 25 1
75-3390	Bracket - Backlap	32 39 1	75-5000	Body	47 32 3
75-3400	Shaft - Seat Pivot	6 14 1	75-5010	Bearing Set STD	37 8 3
75-3420	Lift Control Assembly	10 37 1	75-5020	Injector Pump Assembly	45 41 1
75-3430	Rod - Throttle	6 34 1	75-5040	Gasket Kit	39 * 1
75-3480	Weldment-Upper	8 23 1	75-5050	Ring Set STD	37 11 3
75-3490	Spring-Extension	8 14 2	75-5060	Ring Set 0.25 mm OS	37 * 3
75-3500	Weldment-Hanger	8 18 1	75-5070	Ring Set 0.50 mm OS	37 * 3
75-3510	Bolt-Shoulder	8 26 2	75-5080	Piston & Pin Set STD	37 10 3
75-3530	Spring-Compression	8 3 1	75-5090	Piston & Pin Set	37 * 3
75-3540	Pin-Roll	8 6 1	75-5100	Piston & Pin Set	37 * 3
75-3550	Bumper-Seat	8 7 2	75-5110	Cover Assy.	37 24 1
75-3580	Plate-Mounting, Seat	8 2 1	75-5120	Gasket	38 45 1
75-3680	Rod - Seat	6 18 1	75-5160	Plate - Support	33 56 2
75-3710	Dipstick	13 4 1			

\*Not Illustrated

# PART NUMBER INDEX (Continued)

Part No.	Description	Pg. No.	Ref. No.	Qty.	Part No.	Description	Pg. No.	Ref. No.	Qty.
75-5190	Decal - No Riders (English)	1	25	2	75-6120	Hose - Hydraulic	20	11	1
75-5200	Bracket - Spring R.H.	57	*	1	75-6130	Hose - Hydraulic	13	9	1
75-5210	Bracket - Spring Center	57	16	1	75-6140	Hose - Hydraulic	13	30	1
75-5220	Bracket - Spring L.H.	57	*	1	75-6140	Hose - Hydraulic R.H.	32	46	1
75-5230	Hose - Hydraulic	15	14	2	75-6150	Hose - Hydraulic	22	15	1
75-5240	Tube - Hydraulic	16	38	1	75-6150	Hose - Hydraulic	32	20	1
75-5240	Tube - Hydraulic	30	12	1	75-6160	Hose - Hydraulic	15	21	1
75-5250	Tube - Hydraulic	16	39	1	75-6160	Hose - Hydraulic L.H.	32	*	1
75-5250	Tube - Hydraulic	30	13	1	75-6170	Hose - Hydraulic	22	11	1
75-5260	Knob - Locking	6	38	2	75-6170	Hose - Hydraulic	32	17	1
75-5270	Spacer - Locking Knob	6	37	2	75-6180	Hose - Hydraulic	19	1	2
75-5300	Rod - Hose Support	18	24	2	75-6180	Hose - Hydraulic R.H.	59	16	2
75-5300	Rod - Hose Support	58	63	1	75-6190	Hose - Hydraulic	20	8	1
75-5310	Spacer - Bearing	35	5	1	75-6200	Hose - Hydraulic	13	21	1
75-5330	Clamp - Hose	57	8	3	75-6200	Hose - Hydraulic	18	12	1
75-5330	Clamp - Hydraulic Line	60	42	2	75-6220	Hose - Hydraulic	54	34	1
75-5340	Spacer - Pivot	57	10	2	75-6220	Hose - Hydraulic LT	3	24	1
75-5350	Pin - Cylinder Rod End	57	31	3	75-6230	Hose - Hydraulic	54	*	1
75-5350	Pin - Cylinder Rod End	59	22	2	75-6230	Hose - Hydraulic RT	3	18	1
75-5360	Pin - Cylinder Cap End	60	39	2	75-6240	Hose - Hydraulic	30	14	1
75-5370	Mount - Clamp	57	36	1	75-6240	Hose - Hydraulic IN	3	19	1
75-5380	Bracket - Clamp	57	38	1	75-6250	Hose - Hydraulic	13	17	1
75-5390	Roller	59	14	2	75-6250	Hose - Hydraulic OUT	3	25	1
75-5400	Shaft - Roller	59	13	2	75-6260	Cover - Tool Box	1	23	1
75-5410	Bracket - Arm	58	53	2	75-6270	Cover - Control Box	10	15	1
75-5420	Lift Arm Assembly Center	57	40	1	75-6280	Bracket - Hose	2	46	1
75-5430	Lift Arm Assy. Rear L.H.	59	*	1	75-6290	Radiator	32	7	1
75-5440	Lift Arm Assy. Rear R.H.	59	23	1	75-6300	Sensor - Reed Switch	57	12	1
75-5450	Lift Arm Assembly R.H.	57	1	1	75-6310	Magnet - Reed Switch	58	51	1
75-5460	Lift Arm Assembly L.H.	57	32	1	75-6320	Sensor - Switch	6	6	1
75-5470	Spacer	29	12	2	75-6330	Magnet - Switch	6	5	1
75-5480	Manifold - Tank	13	14	1	75-6340	Strainer - In-Line	22	35	1
75-5720	Hose - Hydraulic	13	19	1	75-6350	Hose	22	25	1
75-5730	Insulator - Terminal	51	*	1	75-6370	Cover - Sensor	58	49	1
75-5740	Box - Control	10	24	1	75-6380	Shaft - Fan	35	1	1
75-5810	Box - Tool	1	26	1	75-6390	Pulley - Fan	35	3	1
75-5880	Hose - Hydraulic	57	6	1	75-6410	Yoke - Shaft	34	2	1
75-5890	Hose - Hydraulic	15	35	1	75-6420	Yoke - Slip Tube	34	3	1
75-5890	Hose - Hydraulic	18	7	1	75-6490	Lever - Pedal Stop	5	20	1
75-5890	Hose - Hydraulic	57	28	2	75-6510	Lever - Bracket	5	16	1
75-5900	Hose - Hydraulic	15	30	1	75-6550	Disc - Friction	5	17	1
75-5900	Hose - Hydraulic	58	47	1	75-6580	Cable - Pedal	5	7	1
75-5910	Hose - Hydraulic	18	8	1	75-6620	Gauge - Speedometer	10	2	1
75-5910	Hose - Hydraulic	58	60	1	75-6640	Fitting - Hydraulic 90°	15	20	1
75-5940	Hose - Hydraulic	18	6	1	75-6660	Cutting Unit Frame Assy.	66	10	1
75-5940	Hose - Hydraulic AUX	3	23	1	75-6660	Frame - Cutting Unit	64	27	1
75-5950	Hose - Hydraulic	15	16	1	75-6680	Bar - Weight	73	3	1
75-5950	Hose - Hydraulic	18	20	1	75-6700	Sensor - Magnetic	23	44	1
75-5950	Hose - Hydraulic	20	16	1	75-6710	Decal - Fast/Slow	5	18	1
75-5960	Hose - Hydraulic	18	22	1	75-6820	Meter - Hour	11	47	1
75-5960	Hose - Hydraulic	20	20	1	75-6830	Decal - Danger (English)	7	49	1
75-5970	Hose - Hydraulic	18	23	1	75-6840	Knob - Knurled	2	38	4
75-5980	Hose - Hydraulic	18	1	1	75-6850	Tube - Oil Fill	22	40	1
75-5980	Hose - Hydraulic	20	5	1	75-6870	Hose - Hydraulic Suction	13	28	1
75-5990	Hose - Hydraulic	16	37	1	75-6870	Hose - Suction	30	1	1
75-5990	Hose - Hydraulic	20	17	1	75-6880	Screen - Spark Arrester	34	*	1
75-6000	Hose - Hydraulic	15	4	1	75-6910	Solenoid Assembly	17	37	1
75-6000	Hose - Hydraulic	20	6	1	75-6930	Valve - SCR	28	52	1
75-6010	Hose - Hydraulic	20	15	1	75-7540	Decal - Warning (English)	2	49	1
75-6020	Hose - Hydraulic	18	11	1	76-1910	Shaft-Pivot	8	12	2
75-6020	Hose - Hydraulic	19	15	1	76-1920	Bushing-Sleeve	8	9	4
75-6030	Hose - Hydraulic	20	1	1	76-1930	Knob-Tension Adjustment	8	19	1
75-6040	Hose - Hydraulic	15	27	1	76-2940	Bumper-Rubber	8	8	2
75-6040	Hose - Hydraulic	20	10	1	76-2970	Bushing - Sleeve	55	43	2
75-6050	Hose - Hydraulic	15	24	1	76-2980	Washer - Thrust	54	41	1
75-6050	Hose - Hydraulic	20	14	1	76-8640	Stud - Traction	29	23	1
75-6060	Hose - Hydraulic	15	33	1	76-8730	Decal - Bolt Torque	22	22	2
75-6060	Hose - Hydraulic	19	12	1	76-8750	Plate - Caution	32	14	1
75-6070	Hose - Hydraulic	19	14	1	76-9430	Spring - Extension	29	8	1
75-6070	Hose - Hydraulic L.H. (Cap)	59	*	1	77-0490	Decal - Bolt (English)	22	20	1
75-6080	Hose - Hydraulic	19	13	1	80-4860	Pin-Clevis	8	1	1
75-6080	Hose - Hydraulic L.H. (Rod)	59	*	1	82-6490	Hose - Hydraulic	58	65	1
75-6100	Hose - Hydraulic	20	12	1	82-6830	Bracket - Scraper	68	8	1
75-6110	Hose - Hydraulic	20	9	1	82-6830	Bracket - Scraper	69	*8	5
75-6120	Hose - Hydraulic	15	15	1					

\*Not Illustrated

# PART NUMBER INDEX (Continued)

Part No.	Description	Pg. No.	Ref. No.	Qty.	Part No.	Description	Pg. No.	Ref. No.	Qty.
82-8110	Retainer - Oil Guide	45	44	1	237-22	Seal - O-Ring	30	15	1
82-8270	Valve - Flow Control	15	31	1	237-30	Seal - O-Ring	15	13	4
82-8270	Valve - Flow Control	19	9	1	237-30	Seal - O-Ring	30	11	2
82-8520	Detent Assembly Kit	17	*	1	237-42	O-Ring	17	33	1
82-9060	Adjuster W/Handle	8	13	1	237-42	Seal - O-Ring	13	25	2
83-4780	Housing - Charge Pump	27	32	1	237-42	Seal - O-Ring	15	3	4
83-4870	Bracket - High Scraper R.H.	69	*7	5	237-42	Seal - O-Ring	18	16	2
83-4880	Bracket - High Scraper L.H.	69	*6	5	237-65	Seal - O-Ring	13	10	5
83-4910	Coupler - Pinion	25	40	1	237-65	Seal - O-Ring	15	22	1
83-5130	Spacer - Pinion	24	21	1	237-65	Seal - O-Ring	22	3	1
83-5210	H.O.C. - Right Rear	69	1	5	237-65	Seal - O-Ring	32	47	2
83-5230	H.O.C. - Left Rear	69	3	5	237-78	O-Ring	17	12	8
83-5240	Support - Front R.H.	69	5	5	237-78	Seal - O-Ring	15	7	7
83-5250	Support - Front L.H.	69	4	5	237-78	Seal - O-Ring	18	3	7
83-6780	Pin - Cylinder (Long)	58	61	2	237-78	Seal - O-Ring	19	4	8
83-6790	Pin - Cylinder (Short)	58	43	1	237-78	Seal - O-Ring	20	2	5
83-6930	Bracket - Scraper R.H.	68	2	1	237-78	Seal - O-Ring	22	16	1
83-6940	Bracket - Scraper L.H.	68	4	1	237-78	Seal - O-Ring	54	31	2
83-6950	Bracket - Scraper R.H.	68	1	1	237-78	Seal - O-Ring	57	3	6
83-6980	Bracket - Scraper L.H.	68	5	1	237-78	Seal - O-Ring	59	17	4
83-7370	Roof	72	1	1	237-79	Seal - O-Ring	14	45	1
83-7380	Insulation - Roof	72	14	1	237-79	Seal - O-Ring	15	9	2
83-7390	Seal	72	2	2	237-79	Seal - O-Ring	20	18	10
83-7400	Ear - Lift	72	3	2	237-79	Seal - O-Ring	22	10	2
83-7410	Roll - Bar	72	13	1	237-79	Seal - O-Ring	30	17	3
83-7420	Washer - Rubber	72	15	6	237-80	O-Ring	17	9	1
83-7430	Decal - Danger (English)	72	12	1	237-81	Seal - O-Ring	13	12	4
83-7440	Decal - Knob (English)	7	52	1	237-81	Seal - O-Ring	15	26	1
83-7450	Decal - Down (English)	33	60	1	237-81	Seal - O-Ring	22	26	2
83-7480	Hydraulic Cylinder Assembly	57	7	1	237-141	Bumper	2	42	2
83-7490	Hydraulic Cylinder Assy.	58	67	1	237-141	Grommet	6	41	1
84-1670	Head	63	9	1	237-156	O-Ring	17	14	8
84-1680	Ring-Retaining	63	11	1	237-161	Seal - O-Ring	22	31	1
84-1710	Piston	62	4	1	237-162	Seal - O-Ring	30	5	1
84-1720	Head	62	9	1	237-163	Seal - O-Ring	30	9	1
84-1730	Ring-Retaining	62	11	1	237-165	Grommet	55	46	2
84-1740	Clevis W.A.	62	12	1	240-3	Grommet	33	51	2
84-1760	Seal repair Kit	62	*	1	240-11	Grommet	13	39	3
84-1820	Harness - Wire Main	9	1	1	240-11	Grommet	21	27	3
84-1820	Harness - Wire Main	11	*	1	241-119	Cap - Dust	54	24	2
84-5280	Pin - Spring	17	38	2	242-34	Stud-Flange, Axle	26	11	10
217-74	Bolt - Bedbar	64	33	2	242-50	Nut - Lug	54	26	10
217-120	Rim	23	46	2	249-48	Swell Latch Assembly	1	21	3
217-121	Rim	54	20	2	249-48	Swell Latch Assembly	10	5	1
218-446	Nut - Locking	10	10	1	2410-18	Plug	74	2	1
218-447	Washer - E.T.L.W.	10	11	1	2410-73	Retainer - Tether	13	5	1
218-498	Nut - Hex.	10	4	2	2411-36	Bearing - Rod End	5	2	1
218-498	Nut - Lock	32	42	2	2412-3	Clamp - Hose	32	19	4
218-573	Fuse - 5A	10	20	10	2412-34	Clamp - Hose	13	18	3
218-578	Fuse - 10A	10	*	1	2412-34	Clamp - Hose	22	24	2
218-579	Wire - Fuel Pump	21	29	1	2412-34	Clamp - Hose	30	2	1
218-590	Switch - Micro	10	38	2	2412-36	Clamp - Drain	21	16	1
218-594	Fuse - 20A	10	*	1	2412-42	Clamp - Hose	51	2	1
219-17	Bulb - Light	10	*	4	2412-74	Clamp - Hose	32	23	1
231-134	Tire	23	45	2	2412-81	Clamp - R	34	19	1
231-135	Tire	54	19	2	2412-92	Clamp - Hose	35	16	1
232-27	Stem - Valve	23	47	2	2412-93	Clamp - R	7	50	1
232-35	Stem - Valve	54	21	2	2412-93	Clamp - R	13	32	2
233-17	Knob - Parking Brake	3	9	1	2412-93	Clamp - R	51	11	1
233-42	Knob	5	19	1	2412-103	Clamp - R	32	25	1
233-42	Knob - Throttle	6	35	1	2412-108	Clamp - Hose	21	12	7
237-21	Seal - O-Ring	13	26	1	2412-108	Clamp - Hose	32	9	1
237-21	Seal - O-Ring	15	18	6	2412-108	Clamp - Hose	51	8	1
237-21	Seal - O-Ring	18	2	6	2412-108	Clamp-Hose	53	5	2
237-21	Seal - O-Ring	19	2	7	2412-126	Clamp - R	36	54	1
237-21	Seal - O-Ring	20	4	8	2412-133	Clamp - R	6	42	2
237-21	Seal - O-Ring	54	33	2	251-259	Bearing - Ball	29	11	2
237-21	Seal - O-Ring	57	5	6	251-318	Bearing - Ball	35	7	2
237-21	Seal - O-Ring	59	18	4	253-61	Seal - Oil	64	22	1
237-22	Seal - O-Ring	3	14	5	253-96	Seal - Oil	64	32	2
237-22	Seal - O-Ring	13	23	3	253-129	Seal - Grease	54	28	2
237-22	Seal - O-Ring	15	1	4	254-65	Cone-Tapered Bearing	25	28	2
237-22	Seal - O-Ring	18	13	4	254-66	Cup-Tapered Bearing	25	27	2
237-22	Seal - O-Ring	20	19	10	254-72	Cup - Bearing	54	17	4
237-22	Seal - O-Ring	22	12	2	254-72	Cup - Bearing	64	15	2

\*Not Illustrated

# PART NUMBER INDEX (Continued)

Part No.	Description	Pg. No.	Ref. No.	Qty.	Part No.	Description	Pg. No.	Ref. No.	Qty.
254-91	Cone-Bearing	25	23	1	323-2	Screw - Cap Hex. Hd. L.H.	64	21	1
254-94	Cone - Bearing	54	16	4	323-4	Screw - Cap Hex. Hd.	7	47	2
254-94	Cone - Bearing	64	16	2	323-4	Screw - Cap Hex. Hd.	14	43	2
256-42	Bushing - Sleeve	5	34	2	323-5	Screw - Cap Hex. Hd.	13	36	3
256-113	Bushing - Flange	29	19	2	323-5	Screw - Cap Hex. Hd.	21	25	3
256-115	Washer - Thrust	58	41	11	323-6	Screw - Cap Hex. Hd.	35	9	2
256-115	Washer - Thrust	59	26	6	323-6	Screw - Cap Hex. Hd.	54	1	4
256-121	Washer - Thrust	54	12	2	323-6	Screw - Cap Hex. Hd.	66	12	2
256-236	Bearing - Flange	5	24	4	323-6	Screw - Cap Hex. Hd.	67	2	2
256-287	Bushing - Flange	59	30	4	323-6	Screw - Cap Hex. Hd.	72	5	2
282-4	Clevis - Spring	57	21	3	323-7	Screw - Cap Hex. Hd.	66	21	4
282-4	Clevis - Spring	59	2	2	323-8	Screw - Cap Hex. Hd.	5	3	1
283-6	Pin - Clevis	57	15	3	323-8	Screw - Cap Hex. Hd.	35	42	1
283-6	Pin - Clevis	59	9	2	323-9	Screw - Cap Hex. Hd.	36	55	1
283-58	Pin - Clevis	5	30	4	323-9	Screw - Cap Hex. Hd.	51	19	1
302-5	Fitting - Grease	5	39	1	323-9	Screw - Cap Hex. Hd.	71	3	2
302-5	Fitting - Grease	29	20	1	323-10	Screw - Cap Hex. Hd.	57	39	1
302-5	Fitting - Grease	54	11	4	323-11	Screw - Cap Hex. Hd.	35	32	3
302-5	Fitting - Grease	57	11	6	323-12	Screw - Cap Hex. Hd.	22	28	2
302-5	Fitting - Grease	59	24	4	323-12	Screw - Cap Hex. Hd.	30	3	2
302-5	Fitting - Grease	61	13	1	323-12	Screw - Cap Hex. Hd.	58	56	2
302-5	Fitting - Grease	62	13	1	323-20	Screw - Cap Hex. Hd.	23	42	2
302-5	Fitting - Grease	63	13	1	323-49	Screw - Cap Hex. Hd.	66	6	2
302-5	Fitting - Grease	66	4	4	323-50	Screw - Cap Hex. Hd.	70	5	2
302-11	Fitting - Grease R.H. 45°	64	*	1	324-6	Screw - Cap Hex. Hd.	22	21	4
302-60	Fitting - Grease	66	2	1	324-23	Screw-Cap, Hex Hd.	24	11	4
302-60	Fitting - Grease L.H. 90°	64	34	1	325-4	Screw - Cap Hex. Hd.	58	59	6
304-46	Drain - Radiator	33	52	1	325-4	Screw - Cap Hex. Hd.	59	36	4
304-46	Fitting - Drain	21	31	1	325-5	Screw - Cap Hex. Hd.	72	8	9
321-2	Screw - Cap Hex. Hd.	13	6	1	325-7	Screw - Cap Hex. Hd.	22	6	2
321-2	Screw - Cap Hex. Hd.	51	12	1	325-8	Screw - Cap Hex. Hd.	73	4	2
321-4	Screw - Cap Hex. Hd.	6	46	1	327-2	Screw - Cap Hex. Hd.	54	3	1
321-4	Screw - Cap Hex. Hd.	10	33	3	328-7	Screw - Cap Hex. Hd.	57	18	4
321-4	Screw - Cap Hex. Hd.	32	16	7	328-9	Screw - Cap Hex. Hd.	57	13	2
321-4	Screw - Cap Hex. Hd.	36	50	1	328-25	Screw - Cap Hex. Hd.	54	30	2
321-4	Screw - Cap Hex. Hd.	57	35	2	3210-7	Screw-Cap, Hex Hd.	24	19	8
321-4	Screw - Cap Hex. Hd.	64	6	2	3212-4	Screw - Cap Hex. Hd.	72	*	2
321-6	Screw - Cap Hex. Hd.	51	24	2	3217-9	Nut - Hex.	73	1	2
321-8	Screw - Cap Hex. Hd.	21	6	2	3217-9	Nut - Lock	72	9	3
321-11	Screw - Cap Hex. Hd.	18	5	4	3218-3	Nut - Jam	70	4	4
321-11	Screw - Cap Hex. Hd.	19	6	4	3219-2	Nut	24	1	8
321-23	Screw - Cap Hex. Hd.	13	13	2	3219-14	Nut - Hex.	74	3	1
321-39	Screw - Cap Hex. Hd.	1	10	7	3220-3	Nut - Jam	5	1	2
321-39	Screw - Cap Hex. Hd.	10	26	2	3220-3	Nut - Jam	54	14	8
322-1	Screw - Cap Hex. Hd.	67	13	1	3220-5	Nut - Jam	54	36	2
322-2	Screw - Cap Hex. Hd.	32	40	2	3220-6	Nut	4	27	1
322-2	Screw - Cap Hex. Hd.	36	51	4	3220-6	Nut - Steering Wheel	3	8	1
322-3	Screw - Cap Hex. Hd.	1	27	4	3220-7	Nut - Jam	22	2	1
322-3	Screw - Cap Hex. Hd.	3	1	2	3220-12	Nut - Jam L.H. Thread	54	38	2
322-3	Screw - Cap Hex. Hd.	5	25	8	3230-1	Bolt - Carriage	68	3	2
322-3	Screw - Cap Hex. Hd.	6	13	9	3230-1	Bolt - Carriage	69	*9	10
322-3	Screw - Cap Hex. Hd.	10	35	4	3230-2	Bolt - Carriage	35	13	1
322-3	Screw - Cap Hex. Hd.	15	28	4	3231-2	Bolt - Carriage	66	5	2
322-3	Screw - Cap Hex. Hd.	29	18	2	3234-14	Screw - Hex. Washer Hd.	1	30	14
322-3	Screw - Cap Hex. Hd.	35	14	4	3234-23	Screw - Hex. Flange Hd.	71	5	6
322-3	Screw - Cap Hex. Hd.	51	28	6	3242-1	Screw - Set Sq. Hd.	69	2	20
322-4	Screw - Cap Hex. Hd.	1	33	2	3242-1	Screw - Sq. Hd. Set	66	8	4
322-4	Screw - Cap Hex. Hd.	32	32	2	3243-13	Screw - Sq. Hd. Set	64	8	4
322-4	Screw - Cap Hex. Hd.	34	12	1	3250-29	Screw - Cap Hex. Hd.	6	7	4
322-4	Screw - Cap Hex. Hd.	51	15	3	3250-45	Screw - Pan Hd.	72	10	6
322-5	Screw - Cap Hex. Hd.	1	18	4	3253-3	Washer - Lock	6	32	1
322-5	Screw - Cap Hex. Hd.	32	3	10	3253-3	Washer - Lock	10	32	3
322-5	Screw - Cap Hex. Hd.	35	35	8	3253-3	Washer - Lock	72	16	6
322-5	Screw - Cap Hex. Hd.	57	26	3	3253-4	Washer - Lock	1	17	14
322-5	Screw - Cap Hex. Hd.	59	4	8	3253-4	Washer - Lock	3	2	2
322-5	Screw - Cap Hex. Hd.	64	1	1	3253-4	Washer - Lock	6	12	4
322-6	Screw - Cap Hex. Hd.	33	59	1	3253-4	Washer - Lock	15	29	4
322-6	Screw - Cap Hex. Hd.	67	6	1	3253-4	Washer - Lock	29	17	2
322-7	Screw - Cap Hex. Hd.	29	10	1	3253-4	Washer - Lock	33	53	5
322-9	Screw - Cap Hex. Hd.	34	1	2	3253-4	Washer - Lock	36	49	4
322-10	Screw - Cap Hex. Hd.	29	3	1	3253-4	Washer - Lock	59	10	2
322-11	Screw - Cap Hex. Hd.	35	39	1	3253-4	Washer - Lock	64	2	1
322-12	Screw - Cap Hex. Hd.	34	23	2	3253-4	Washer - Lock	67	7	2
322-12	Screw - Cap Hex. Hd.	60	43	2	3253-5	Washer - Lock	30	4	2

\*Not Illustrated

# PART NUMBER INDEX (Continued)

Part No.	Description	Pg. No.	Ref. No.	Qty.	Part No.	Description	Pg. No.	Ref. No.	Qty.
3253-6	Washer - Lock	72	*	2	3272-2	Pin - Cotter	5	5	2
3253-6	Washer-Lock	8	25	2	3272-4	Pin - Cotter	1	20	2
3253-7	Washer - Lock	58	58	6	3272-5	Pin - Cotter	3	17	3
3253-7	Washer - Lock	60	44	4	3272-10	Pin - Cotter	3	21	1
3253-7	Washer - Lock	72	7	9	3272-10	Pin - Cotter	5	40	4
3253-15	Washer - Lock	21	9	5	3272-10	Pin - Cotter	29	1	1
3253-21	Washer - Lock	14	42	2	3272-10	Pin - Cotter	57	17	3
3253-21	Washer - Lock	22	29	2	3272-10	Pin - Cotter	59	3	2
3253-21	Washer - Lock	36	56	1	3272-11	Pin - Cotter	6	17	2
3253-21	Washer - Lock	51	20	1	3272-13	Pin - Cotter	54	25	2
3253-21	Washer - Lock	66	11	2	3273-26	Screw - Hex. Socket Hd.	11	45	2
3253-27	Washer - Lock	73	2	2	3290-93	Screw - Cap Hex. Hd.	10	39	4
3255-8	Washer - Lock	35	18	2	3290-271	Rivet - Pop	32	13	2
3255-8	Washer-Lock	24	2	8	3290-354	Plate - Nut	10	36	2
3255-9	Washer - E.T.L.W.	64	31	4	3290-378	Tie - Cable	3	*	3
3255-9	Washer - Lock E.T.L.W.	35	30	1	3290-378	Tie - Cable	33	57	1
3256-1	Washer - Flat	2	44	10	3290-379	Tie - Cable	57	14	3
3256-1	Washer - Flat	3	29	2	3290-379	Tie - Cable	60	45	1
3256-1	Washer - Flat	10	13	5	3290-409	Rivet - Pop	64	12	4
3256-1	Washer - Flat	64	7	2	3290-461	Washer - Belleville	5	21	1
3256-2	Washer - Flat	6	11	8	3290-488	Boot - Lift Control	11	40	1
3256-3	Washer - Flat	1	24	4	3290-489	Knob - Lift Control	10	3	1
3256-3	Washer - Flat	10	34	4	3296-2	Nut - Lock	10	18	5
3256-5	Washer - Flat	8	4	1	3296-9	Nut - Hex.	29	24	2
3256-6	Washer - Flat	58	57	6	3296-20	Nut - Lock	3	16	4
3256-6	Washer - Flat	59	33	4	3296-23	Nut - Lock	22	19	2
3256-13	Washer - Flat	33	55	7	3296-29	Nut - Lock	5	23	8
3256-22	Washer - Flat	3	11	4	3296-29	Nut - Lock	6	39	9
3256-22	Washer - Flat	5	6	2	3296-29	Nut - Lock	29	9	3
3256-22	Washer - Flat	21	4	2	3296-29	Nut - Lock	32	27	10
3256-22	Washer - Flat	32	15	4	3296-29	Nut - Lock	34	17	5
3256-22	Washer - Flat	57	34	2	3296-29	Nut - Lock	35	21	9
3256-22	Washer - Flat	72	11	12	3296-29	Nut - Lock	51	26	4
3256-23	Washer - Flat	1	16	6	3296-29	Nut - Lock	58	45	3
3256-23	Washer - Flat	3	15	6	3296-29	Nut - Lock	59	7	6
3256-23	Washer - Flat	32	4	12	3296-29	Nut - Lock	68	7	2
3256-23	Washer - Flat	35	38	5	3296-29	Nut - Lock	69	*10	10
3256-23	Washer - Flat	51	27	2	3296-39	Nut - Lock	5	38	1
3256-23	Washer - Flat	57	25	3	3296-39	Nut - Lock	6	28	3
3256-23	Washer - Flat	59	8	10	3296-39	Nut - Lock	22	30	2
3256-23	Washer - Flat	68	6	2	3296-39	Nut - Lock	35	29	5
3256-23	Washer - Flat	69	*11	10	3296-39	Nut - Lock	54	5	2
3256-23	Washer - Lock E.T.L.W.	3	31	1	3296-39	Nut - Lock	58	52	2
3256-24	Washer	8	5	1	3296-39	Nut - Lock	59	35	4
3256-24	Washer - Flat	5	4	1	3296-39	Nut - Lock	66	9	8
3256-24	Washer - Flat	6	16	3	3296-39	Nut - Lock	72	18	2
3256-24	Washer - Flat	14	41	2	3296-39	Nut - Lock L.H.	64	20	2
3256-24	Washer - Flat	35	37	4	3296-42	Nut - Lock	1	9	10
3256-24	Washer - Flat	51	21	1	3296-42	Nut - Lock	3	30	2
3256-24	Washer - Flat	54	2	2	3296-42	Nut - Lock	10	22	7
3256-24	Washer - Flat	57	24	3	3296-42	Nut - Lock	13	15	2
3256-24	Washer - Flat	59	34	4	3296-42	Nut - Lock	18	17	4
3256-24	Washer - Flat	70	3	4	3296-42	Nut - Lock	19	10	4
3256-24	Washer - Flat	72	4	4	3296-42	Nut - Lock	21	3	2
3256-25	Washer - Flat	22	38	4	3296-42	Nut - Lock	32	11	7
3256-26	Washer - Flat	3	22	1	3296-42	Nut - Lock	35	47	1
3256-26	Washer - Flat	29	2	1	3296-42	Nut - Lock	51	10	3
3256-26	Washer - Flat	72	6	9	3296-42	Nut - Lock	57	37	2
3256-26	Washer-Flat	8	24	2	3296-42	Nut - Lock	64	13	2
3256-28	Washer - Flat	54	22	2	3296-44	Nut - Lock	57	23	4
3256-46	Washer-Flat	8	20	1	3296-44	Nut-Lock	8	22	1
3256-49	Washer - Flat	64	10	4	3296-48	Nut - Lock	22	39	4
3256-49	Washer - Flat	67	16	10	3296-51	Nut - Lock	57	19	6
3256-69	Washer - Thrust	5	31	3	3296-54	Nut - Lock	6	4	4
3256-71	Washer - Flat	67	8	2	3296-59	Nut - Lock	5	22	1
3256-77	Washer - Flat	10	6	2	3296-59	Nut - Lock	6	36	2
3258-19	Screw-Machine	52	6	2	3296-60	Nut - Reel	64	17	1
3258-166	Screw - Phillip Hd.	2	45	3	32104-76	Screw - Thread Forming	58	48	2
3258-166	Screw - Phillip Hd.	3	28	2	32105-1	Screw - Cap Hex. Hd.	11	43	1
3258-166	Screw - Phillip Hd.	10	12	5	32105-8	Screw - Cap Hex. Hd.	32	43	2
3269-3	Rivet - Pop	70	6	4	32105-13	Screw - Cap Hex. Hd.	10	17	4
3269-15	Rivet - Pop	10	28	2	32105-21	Screw	29	4	2
3269-15	Rivet - Pop	33	49	8	32107-11	Nut-Square	52	5	2
3269-28	Rivet - Pop	67	14	10	32111-7	Nut - Acorn	72	17	6
3269-29	Rivet - Pop	32	29	7	32120-74	Ring - Retaining	28	53	1

\*Not Illustrated

# PART NUMBER INDEX (Continued)

Part No.	Description	Pg. Ref.			Part No.	Description	Pg. Ref.		
		No.	No.	Qty.			No.	No.	Qty.
32120-93	Ring - Retaining	57	29	6	340-132	Fitting - Hydraulic 90°	57	4	5
32120-93	Ring - Retaining	59	20	4	340-132	Fitting - Hydraulic 90°	59	19	4
32121-2	Pin - Roll	35	2	2	340-137	Fitting - Hydraulic 45°	13	27	1
32121-6	Pin - Roll	5	9	1	340-139	Fitting - Hydraulic 90°	13	35	1
32121-11	Pin - Roll	67	5	1	340-139	Fitting - Hydraulic 90°	15	23	1
32121-16	Pin - Roll	5	32	1	340-143	Fitting - Hydraulic 90°	15	32	1
32121-38	Pin - Roll	6	19	1	340-143	Fitting - Hydraulic 90°	19	8	1
32121-45	Pin - Roll	5	10	2	340-151	Fitting - Hydraulic Tee	18	14	1
32121-50	Pin - Roll	5	41	1	353-512	Fitting - Hydraulic Plug	19	5	2
32121-122	Pin - Roll	58	55	3	353-550	Fitting - Plug	14	44	1
32121-122	Pin - Roll	59	32	2	353-599	Pin-Dowel	65	3	2
32122-22	Screw - Phillip Hd.	74	2	1	353-682	Fitting - Hydraulic Straight	13	20	1
32122-24	Screw - Round Hd.	21	10	5	353-781	Fitting-Elbow	53	1	2
32128-19	Nut - Flange Lock	71	2	2	353-886	Ring - Retaining	31	8	2
32128-25	Nut - Lock	51	29	3	353-922	Seal - Ring	31	6	6
32128-26	Nut-Flange	8	21	4	353-989	Plug	17	34	1
32128-36	Nut - Flange Lock R.H.	64	*	2	353-990	Plug	17	11	10
32136-5	Nut - Slotted	54	23	2	353-991	Plug	17	13	8
32144-10	Screw - Hex. Washer Hd.	13	33	2	354-5	Coupling	31	14	2
32144-14	Screw - Self Tapping	58	66	3	354-13	Pin- Dowel	31	13	2
32144-18	Screw - Cap Hex. Hd.	11	46	2	354-14	Pin - Dowel	31	21	2
32144-21	Screw	3	6	1	354-15	Seal - Oil	31	22	1
32144-22	Screw - Cap Hex. Hd.	29	13	4	354-16	Washer	31	4	4
32144-39	Screw - Cap Hex. Hd.	11	41	2	354-20	Fitting - Fuel Tee	21	17	1
32144-73	Screw - Self Tapping	64	3	5	354-21	Fitting - Fuel Straight	21	18	1
32149-1	Nut - Lock	35	45	1	354-22	Fitting - Fuel Straight	21	14	2
32149-7	Nut - Lock	32	26	2	354-35	Gasket	31	29	1
32151-36	Ring - Retaining	54	7	2	354-36	Cap - Adjuster Valve	31	30	1
32151-36	Ring - Retaining	58	42	6	354-37	Adjuster - Valve	31	28	1
32151-36	Ring - Retaining	59	15	4	354-38	Ball - Valve	31	26	1
32151-41	Ring-Retaining	65	13	1	354-39	Spring - Compression	31	27	1
32151-48	Ring - Retaining	57	20	3	354-44	Body Assy.	65	10	1
32151-48	Ring - Retaining	59	5	2	354-45	Idler Gear Assembly	65	6	1
32151-61	Ring - Retaining	59	12	4	354-46	Ring-Seal	65	8	1
32151-62	Ring - Retaining	22	33	1	354-47	Cover Assy.	65	4	1
32151-77	Ring - Retaining	54	40	1	354-48	Plate Assembly-Load	65	9	1
32151-94	Ring - Retaining	58	50	1	354-49	Drive Shaft Assembly	65	7	1
32152-10	Nut	61	2	1	354-50	Screw-Hex Socket Hd.	65	1	4
32152-10	Nut	62	2	1	354-51	Washer	65	2	4
32152-10	Nut	63	2	1	354-52	Shaft - Drive	31	24	1
32153-6	Nut - Lock	54	6	2	354-53	Pump Body Assembly	31	23	1
3333-975	Tie - Cable	33	58	1	354-54	Plate - Gear	31	1	2
340-2	Fitting - Hydraulic Straight	15	5	1	354-55	Plate Assembly	31	25	1
340-3	Fitting - Hydraulic Straight	22	14	1	354-56	Pin - Dowel	31	2	2
340-3	Fitting - Hydraulic Straight	30	16	1	354-57	Gear - Drive	31	20	1
340-4	Fitting - Hydraulic Straight	15	10	2	354-58	Plate Assembly	31	15	1
340-4	Fitting - Hydraulic Straight	30	10	2	354-59	Shaft - Drive	31	11	1
340-8	Fitting - Hydraulic Straight	13	11	1	354-60	Plate - Gear	31	7	1
340-8	Fitting - Hydraulic Straight	14	40	1	354-61	Key - Woodruff	31	10	1
340-13	Fitting - Hydraulic Straight	15	19	2	354-62	Gear	31	9	1
340-13	Fitting - Hydraulic Straight	19	16	2	354-63	Cover Assembly	31	5	1
340-18	Fitting - Hydraulic 90°	22	13	1	354-64	Screw - Cap Hex. Hd.	31	3	4
340-18	Fitting - Hydraulic 90°	20	7	10	354-65	Idler Shaft Assembly	31	12	1
340-21	Fitting - Hydraulic Tee	20	13	1	354-66	Shaft - Idler	31	19	2
340-77	Fitting - Hydraulic 90°	13	22	1	354-67	Seal - Pre-Load Hi Pressure	31	17	4
340-77	Fitting - Hydraulic 90°	15	2	2	354-68	Plate - Load	31	18	4
340-77	Fitting - Hydraulic 90°	18	19	1	354-69	Seal - Load Hi Pressure	31	16	4
340-82	Fitting - Hydraulic 90°	18	15	1	354-70	Plug	17	10	1
340-92	Fitting - Hydraulic Straight	15	17	2	354-72	Fitting - Hydraulic 45°	22	36	1
340-92	Fitting - Hydraulic Straight	15	34	1	354-73	Fitting - Hydraulic Straight	13	24	2
340-92	Fitting - Hydraulic Straight	18	10	3	354-74	Fitting - Hydraulic Plug	13	16	1
340-92	Fitting - Hydraulic Straight	19	3	4	354-75	Fitting - Hydraulic 90°	22	34	1
340-103	Fitting - Hydraulic 45°	20	3	5	354-77	Fitting - Hydraulic Test Port	22	17	1
340-103	Fitting - Hydraulic 45°	54	32	2	354-77	Fitting - Test Port	15	11	2
340-103	Fitting - Hydraulic 45°	58	64	1	354-79	Cap - Test Port	15	12	2
340-108	Fitting - Hydraulic 90°	33	48	2	354-79	Cap - Test Port	22	18	1
340-132	Fitting - Hydraulic 90°	15	8	1	355-12	Plug - Hydraulic	18	9	1
340-132	Fitting - Hydraulic 90°	18	4	3					
340-132	Fitting - Hydraulic 90°	19	11	1					

# TABLE OF CONTENTS

Description	Page	Description	Page
Frame & Body Assembly	1-2	Fuel Supply & Engine Block Assembly	44-45
Steering Tower Assembly	3	Fuel Injection Pump Assembly	46-47
Steering Valve Assembly No. 75-0600	4	Governor Assembly	48
Traction & Brake Pedals Assembly	5	Starter Assembly	49
Seat & Throttle Assembly	6-7	Alternator Assembly	50
Seat Suspension Assembly	8	Engine Components Assembly	51
Electrical Schematic	9	Air Cleaner Assembly	52
Control Console Assembly	10-11	Fuel Filter Assembly	53
Hydraulic Schematic	12	Rear Axle Assembly	54-55
Hydraulic Reservoir Assembly	13-14	Hydraulic Cylinder No. 75-1200	56
Hydraulic Control Manifold Assembly	15-16	Front Lift Arms Assembly	57-58
Control Manifold Assembly	17	Rear Lift Arms Assembly	59-60
Front Hydraulic Manifolds	18	Hydraulic Cylinder Assembly No. 75-0780	61
Rear Hydraulic Manifolds	19	Hydraulic Cylinder Assembly No. 83-7480	62
Cutting Unit Hydraulic Components	20	Hydraulic Cylinder Assembly No. 83-7490	63
Fuel Tank Assembly	21	Cutting Unit Reel Assembly	64
Front Axle & Transmission Assembly	22-23	Reel Motor Assembly No. 75-1400	65
Front Axle Assembly No. 75-0711	24-25	Cutting Unit Rollers Assembly	66
Brake Assembly	26	Grass Basket Assembly	67
Transmission Assembly No. 75-0010	27-28	Front Scraper Kit No. 83-5400 (Optional)	68
Traction Control Assembly	29	High Height-Of-Cut Kit No. 83-5300 (Optional)	69
Gear Pump Installation Assembly	30	Roller Scraper Kit Model No. 03512 (Optional)	70
Hydraulic Pump Assembly No. 75-0800	31	Armrest Kit Model No. 30707 (Optional)	71
Radiator Assembly	32-33	R.O.P.S. Assembly (Optional)	72
Muffler & Pump Drive Assembly	34	Rear Weight Kit No. 75-6690 (Optional)	73
Engine Installation Assembly	35-36	Special Tools	74
Valves & Crankshaft Assembly	37-38	International Decal Cross Reference	75-78
Crankcase Assembly	39	Part Number Index	79-89
Camshaft Assembly	40		
Cylinder Head Assembly	41-42		
Water Pump Assembly	43		

## PRODUCT CHANGES

In an effort to make improvements available to TORO owners as quickly as possible, minor changes are incorporated into Toro's products from time to time that do not become immediately shown in the Parts Catalog. If such a change has been made in your unit, which is not reflected in your manual, see your TORO Distributor or his Authorized TORO Service Dealer for information and part numbers.

## IDENTIFICATION AND ORDERING

### MODEL AND SERIAL NUMBERS

The Reelmaster® 223D has two identification numbers; a model number and a serial number. The two numbers are stamped on a decal which is located on the traction unit frame under the seat. In any correspondence concerning the Reelmaster 223D, supply model and serial numbers to assure that correct information and replacement parts are obtained.

To order replacement parts from an Authorized TORO Service Dealer, supply the following information:

1. Model and serial number of the Reelmaster 223D.
2. Part number, description, and the quantity of part(s) desired.

**NOTE:** Do not order by reference number if a parts catalog is being used; use the PART NUMBER.

## COUNTRIES OTHER THAN THE UNITED STATES OR CANADA

Customers who have purchased TORO products exported from the United States or Canada should contact their Toro

Distributor (Dealer) to obtain guarantee policies for your country, province or state.



