



48cm Recycler[®] Lawn Mower

Model No. 20637 - 270K00001 and up.

Parts Catalog

Ordering Replacement Parts

To order replacement parts, please supply the part number, the quantity, and the description of each part desired.

Understanding Reference Numbers

Each identified part in an illustration has a reference number. The reference number for a part also appears in the parts list, along with other information about the part.

This catalog uses two special reference number formats, one to indicate parts in a service assembly and another to indicate the quantity of a given part in an illustration.

Service Assembly Reference Numbers

Parts in service assemblies have reference numbers in the form a:b. The a represents the reference number of the entire service assembly and the b represents a sequential number unique to each part within the service assembly.

For example, a wheel assembly might be identified by reference number 6, the tire by 6:1, the valve by 6:2, and the wheel by 6:3. When you order the assembly identified by reference number 6, you receive all parts identified by reference numbers 6:1, 6:2, and 6:3. However, you may also order any part individually. Reference numbers of this type appear in illustrations and in part lists.

Reference Numbers Indicating Quantity

In an illustration, if a reference number indicates more than one part, the reference number has the form nX y. The n represents the quantity of the part, the X is the multiplication symbol, and the y represents the reference number.

For example, in an illustration, the reference number 2X 37 means that two of the parts identified by reference number 37 are indicated.

Contents

Description	Page	Description	Page
Housing Assembly 3	Carburetor Assembly Briggs and Stratton 12H802-1841-B1 14
Rear Axle and Transmission Assembly 4	Air Cleaner Assembly Briggs and Stratton 12H802-1841-B1 15
Front Axle Assembly 5	Governor Assembly Briggs and Stratton 12H802-1841-B1 16
Engine Assembly 6	Muffler and Fuel Tank Assembly Briggs and Stratton 12H802-1841-B1 17
Lower Handle Assembly 7	Blower Housing Assembly Briggs and Stratton 12H802-1841-B1 18
Handle and Cable Assembly 8	Starter Assembly Briggs and Stratton 12H802- 1841-B1 19
Upper Handle Assembly 9	Gasket Kit Briggs and Stratton 12H802-1841- B1 20
Rear Bag Assembly 10	Carburetor Overhaul Kit Briggs and Stratton 12H802-1841-B1 21
Cylinder Assembly Briggs and Stratton 12H802-1841-B1 11		
Crankshaft Assembly Briggs and Stratton 12H802-1841-B1 12		
Crankcase Assembly Briggs and Stratton 12H802-1841-B1 13		

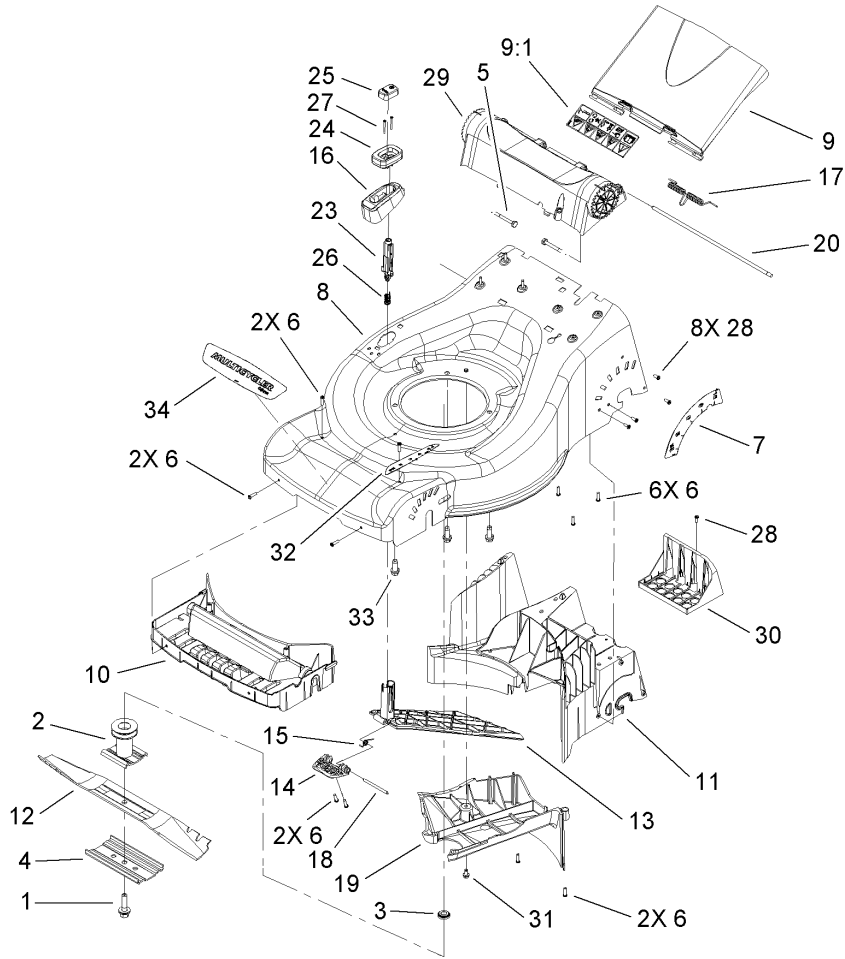
Part Description Abbreviations

Part descriptions in this catalog may include the following abbreviations.

AR. as required	HYD. hydraulic
ASM. assembly	LH. left hand
BBC. blade brake clutch	NI. nylon insert
CARR. carriage	NPTF. national pipe thread fine
DEG. degrees	PFH. phillips flat head
EXT. external	PPH. phillips pan head
FH. flat head	PPHTF. phillips pan head thread forming
GA. gauge	PRH. phillips round head
HD. heavy-duty	PTH. phillips truss head
HF. hex flange	PTO. power-take-off
HH. hex head	RH. right hand
HHF. hex head flange	ROPS. roll-over protection system
HHFTF. hex head flange thread forming	SFH. slotted fillister head
HJ. hex jam	SHH. slotted hex head
HLH. hex lag head	SHWH. slotted hex washer head
HOC. height-of-cut	SPH. slotted pan head
HSBH. hex socket button head	SQH. square head
HSFH. hex socket flat head	SRH. slotted round head
HSH. hex socket head	STD. standard
HWH. hex washer head	TAP. self tapping
HWHTF. hex washer head thread forming	TTH. torx truss head

Footnotes

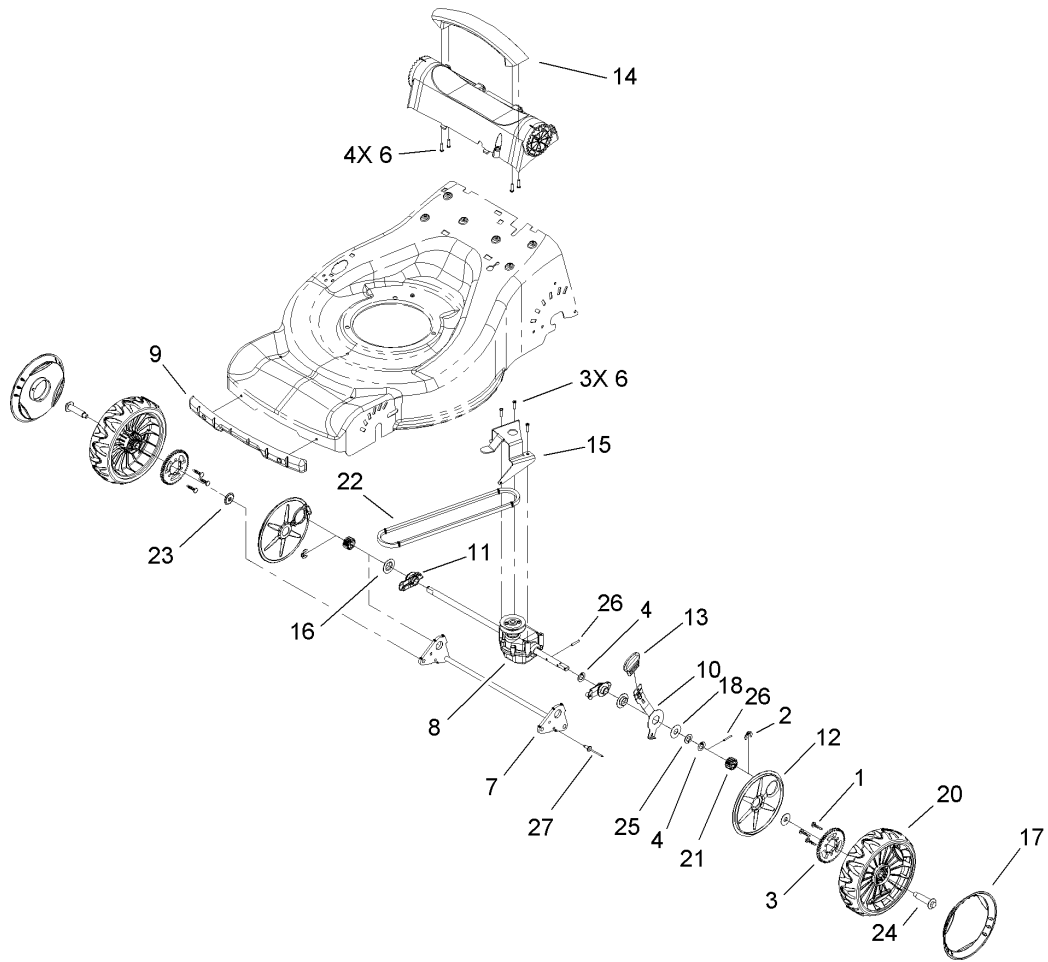
- | | |
|--|---|
| ❶ Not serviced separately | ❷ Obtain from your local Briggs & Stratton dealer |
| ❸ Included in Carburetor Overhaul Kit (Ref. No. 121) | ❹ Included in Engine Gasket Set (Ref. No. 358) |
| ❺ Included in Carburetor Gasket Set (Ref. No. 977) | |



Housing Assembly

Ref	Part No.	Qty.	Description
1	105-8579	1	Bolt-Blade
2	106-3987	1	Blade Driver ASM
3	106-3999	1	Spacer-Driver
4	108-3766	1	Support-Blade
5	110-7110	2	Screw-HH
6	110-1271	14	Screw-Torx, Pan Head
7	110-7058	1	Decal-HOC
8	110-7060	1	Deck-48Cm
9	112-3929	1	Door ASM
9:1	110-7126	1	Decal-Warning
10	110-7066	1	Baffle-Front
11	110-7069	1	Baffle-Rear
12	110-7080	1	Blade
13	110-7094	1	Door-Recycle
14	110-7095	1	Hinge-Recycle Door
15	110-7096	1	Spring-Torsion
16	110-7097	1	Cover-Recycle Door
17	110-7107	1	Spring-Torsion
18	110-7108	1	Pin-Hinge
19	110-7109	1	Cover-Belt
20	110-7119	1	Bar-Pivot, Rear Door
23	110-7129	1	Latch-Recycle
24	110-7136	1	Housing-Recycle Knob
25	110-7138	1	Knob-Recycle

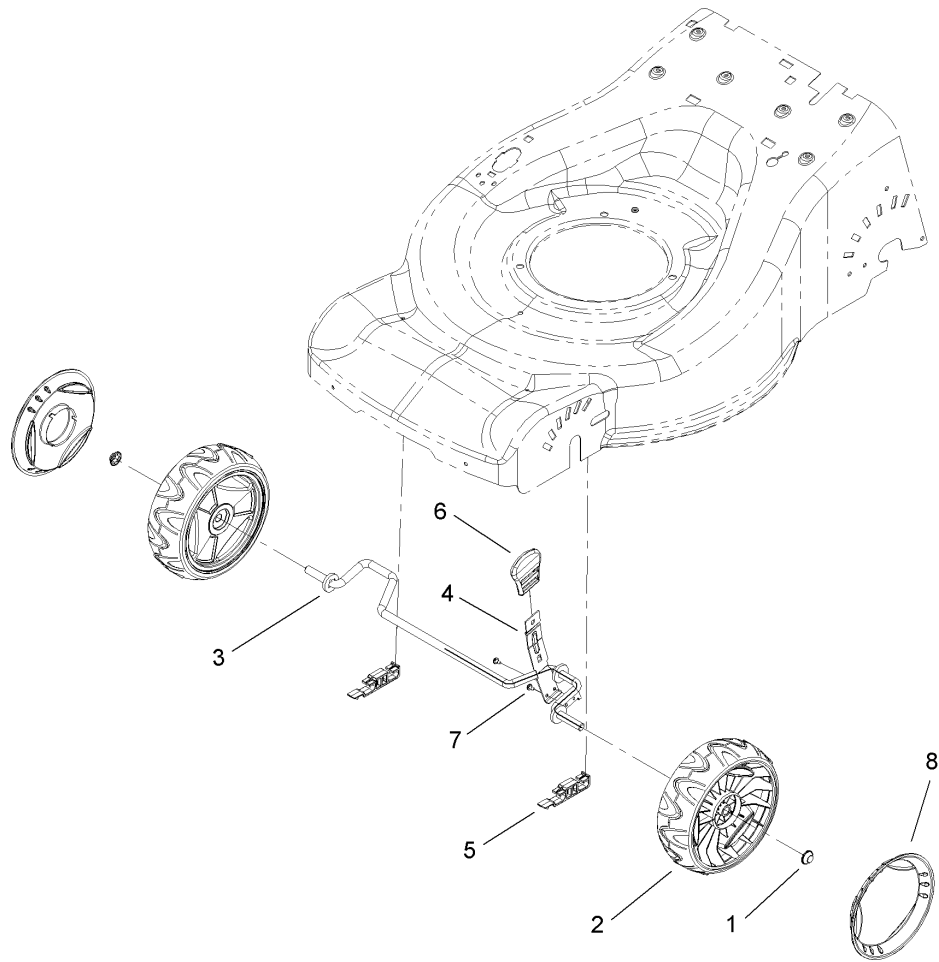
Ref	Part No.	Qty.	Description
26	110-7141	1	Spring-Compression
27	110-7143	2	Screw-Torx, Pan Head
28	110-7147	9	Screw-Torx, Pan Head
29	110-7153	1	Mount-Handle
30	110-7154	1	Tray-Battery
31	110-7170	1	Screw-Hex Head
32	110-7178	1	Decal-HOC
33	110-7182	3	Screw-Taptite, HWH
34	114-2607	1	Decal-Deck



Rear Axle and Transmission Assembly

Ref	Part No.	Qty.	Description
1	27-6260	6	Screw-Drive
2	65-2720	2	Klipring-Locking
3	105-3035	2	Gear-Wheel, 52T
4	112-3911	2	Washer-Thrust, Keyed
6	110-1271	7	Screw-Torx, Pan Head
7	110-7016	1	Pivot Bar ASM
8	110-7042	1	Gearbox Assembly
9	110-7067	1	Bumper-Front
10	110-7073	1	Lever-HOC, Rear
11	110-7112	2	Bushing-Camlock
12	110-7114	2	Cover-Wheel
13	110-7125	1	Knob-HOC
14	110-7155	1	Handle-Rear
15	110-7158	1	Bracket-Gear Case
16	110-7171	2	Spacer-Flange
17	110-7174	2	Cover-Wheel, Rear
18	110-7179	1	Washer
20	110-7254	2	Rear Wheel ASM
21	110-9417	2	Pinion
22	110-9429	1	V-Belt
23	614426	2	Washer-Stepped
24	614650	2	Bolt-Shoulder
25	110-7191	1	Washer-Thrust
26	110-7192	2	Pin-Roll

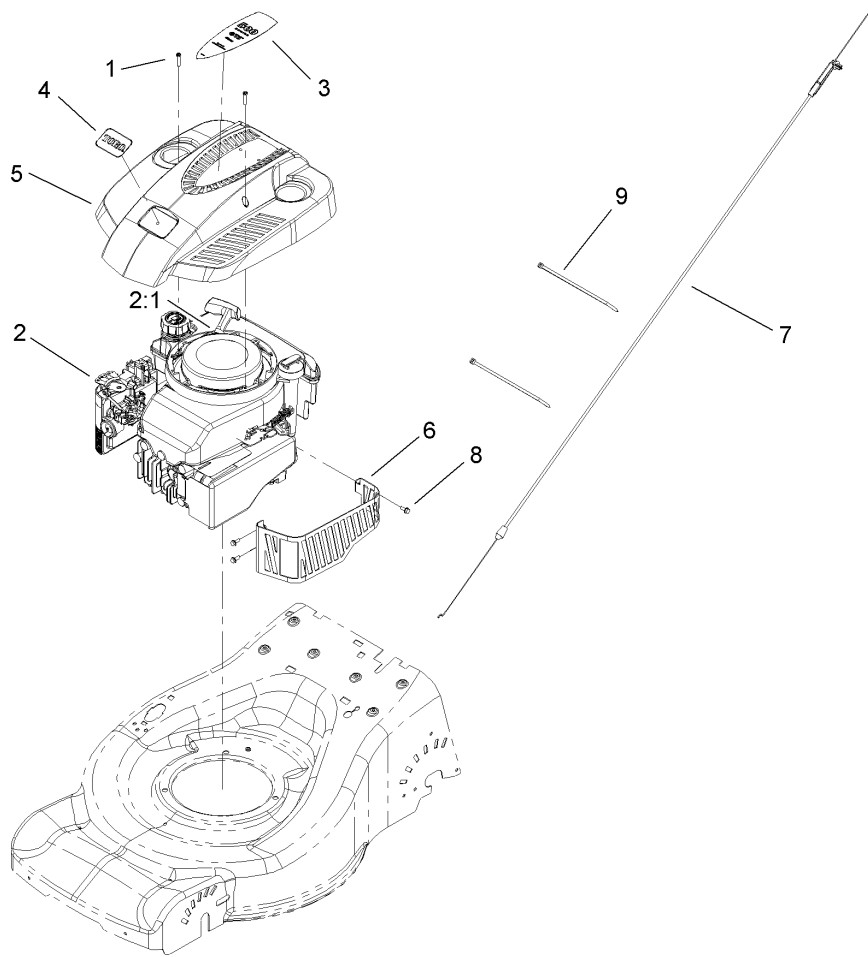
Ref	Part No.	Qty.	Description
27	110-7193	1	Rivet-Pop,



Front Axle Assembly

Ref	Part No.	Qty.	Description
1	110-1278	2	Cap-Starlock, Push
2	110-7032	2	Front Wheel ASM
3	110-7033	1	Front Axle ASM
4	110-7064	1	Lever-HOC, Front
5	110-7068	2	Clamp-Front Axle
6	110-7125	1	Knob-HOC
7	110-7175	2	Screw-Taptite, Ph
8	110-7176	2	Cover-Wheel, Front

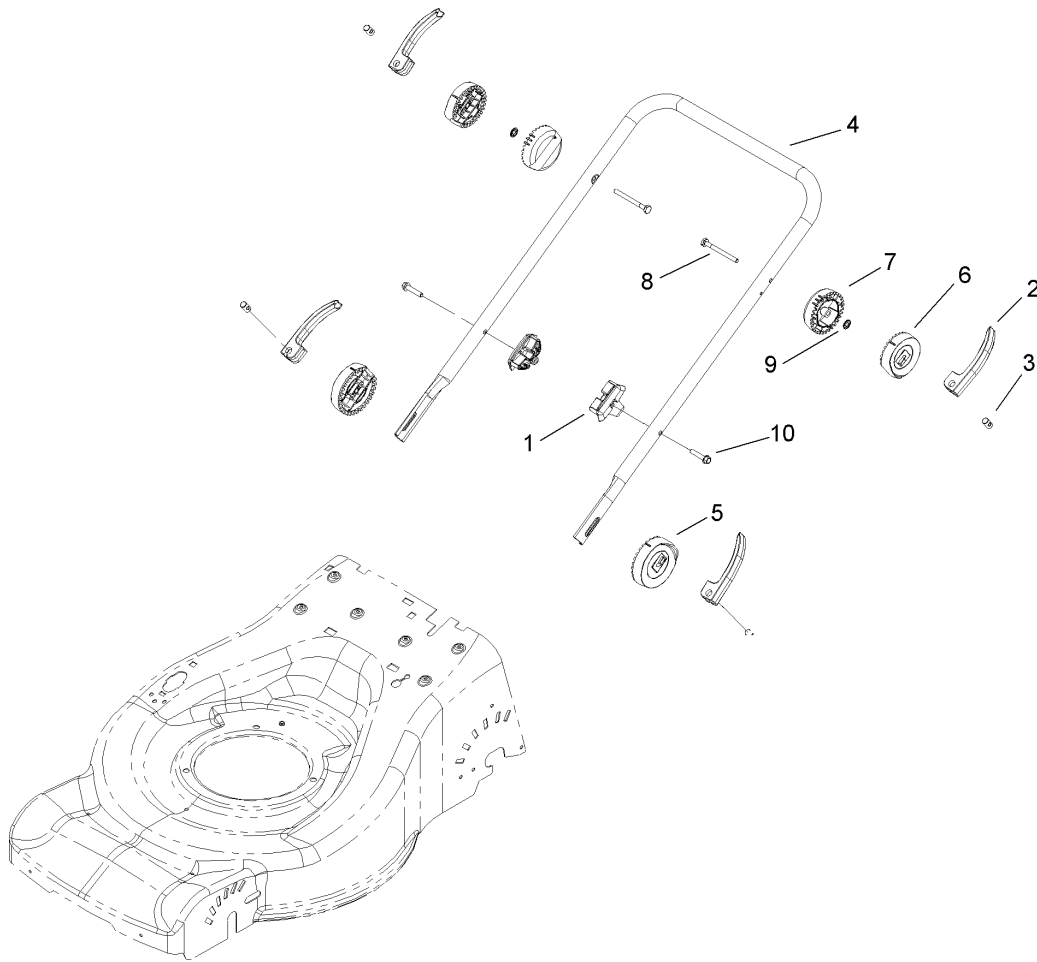
--	--	--	--



Engine Assembly

Ref	Part No.	Qty.	Description
1	93-0231	2	Screw-PPH
① ②		1	Engine-Briggs And Stratton, 12H802-1841-B1
2:1	2210-316	1	Stop-Rope
3	110-7057	1	Decal-Engine
4	110-7135	1	Decal-Toro Logo
5	110-9156	1	Shroud-Engine
6	110-9158	1	Shield-Muffler
7	110-9163	1	Cable-Brake
8	32144-1	3	Screw-Taptite
9	614249	2	Strap-Tie

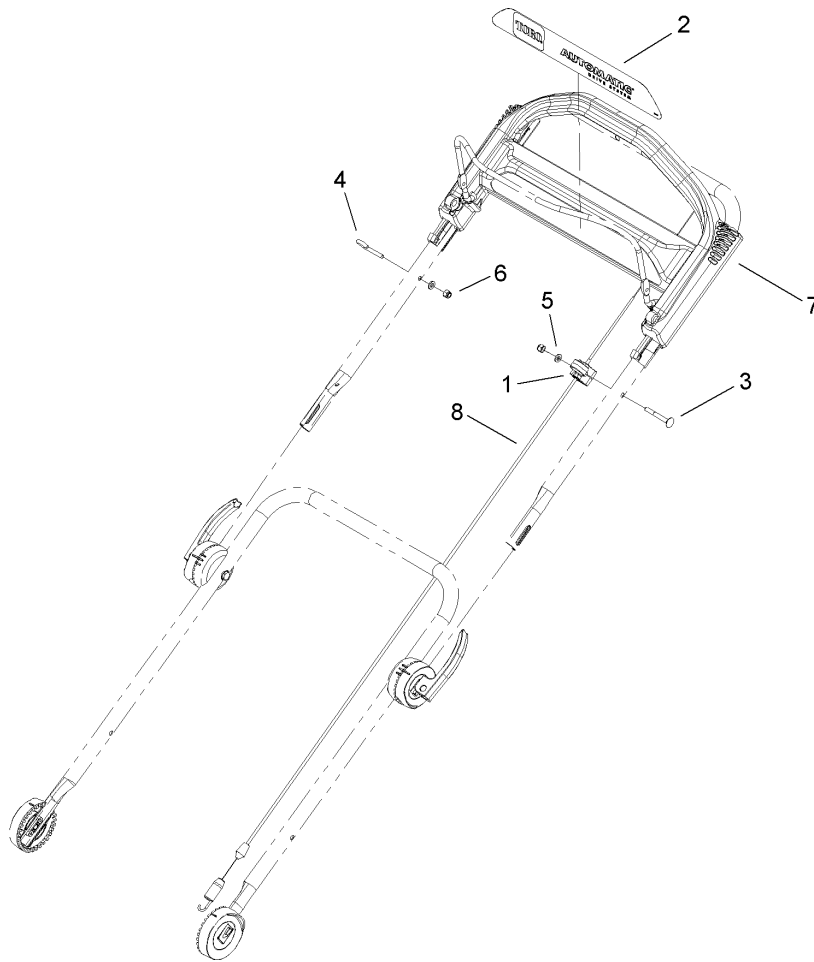
--	--	--	--



Lower Handle Assembly

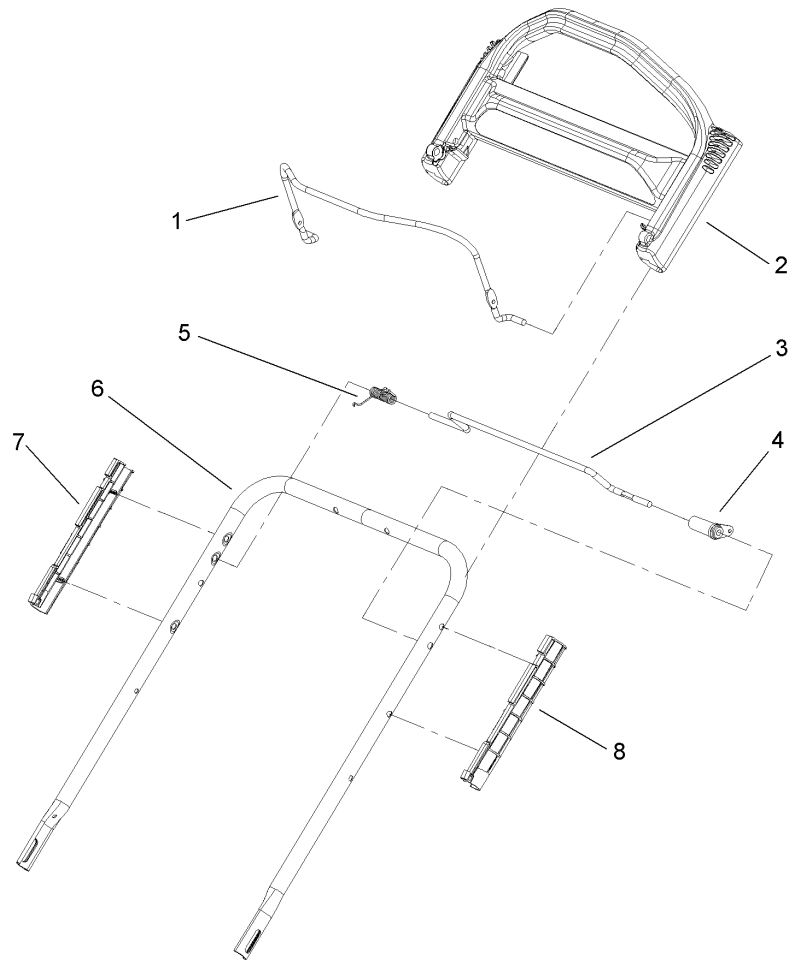
Ref	Part No.	Qty.	Description
1	112-3928	2	Anchor-Bag
2	112-3924	4	Lever-Locking, Handle
3	110-1180	4	Pivot-Pin, Threaded
4	110-7083	1	Handle Hoop Lower
5	110-7121	2	Adapter-Handle Ratchet
6	110-7156	2	Adapter-Ratchet, Midpoint
7	110-7157	2	Adapter-Clamp, Midpoint
8	110-7161	2	Screw-HH
9	110-7188	2	Washer-Starlock, Push
10	32144-110	2	Screw-HWH

--	--	--	--



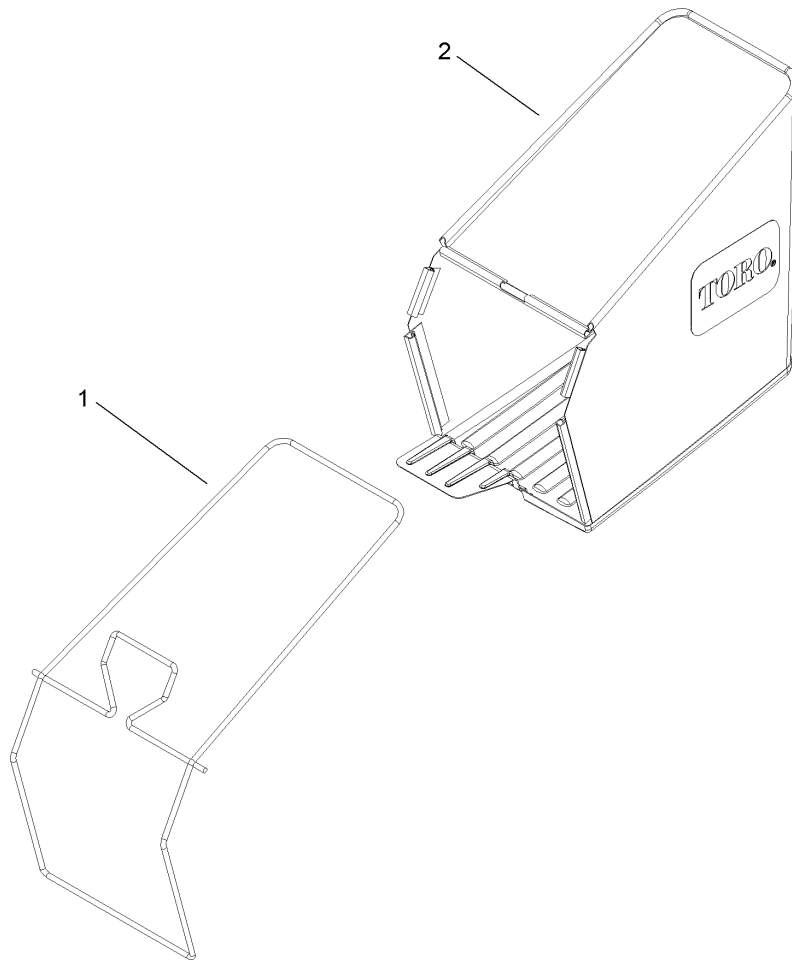
Handle and Cable Assembly

Ref	Part No.	Qty.	Description
1	99-5239	1	Anchor-Cable
2	110-7056	1	Decal-Ads, Handle
3	33123-050	1	Screw-CARR
4	110-7186	1	Guide-Cord
5	110-8450	2	Washer
6	110-8451	2	Nut-Hex, Nyloc
7		1	Upper Handle ASM
8	110-9162	1	Cable-Traction



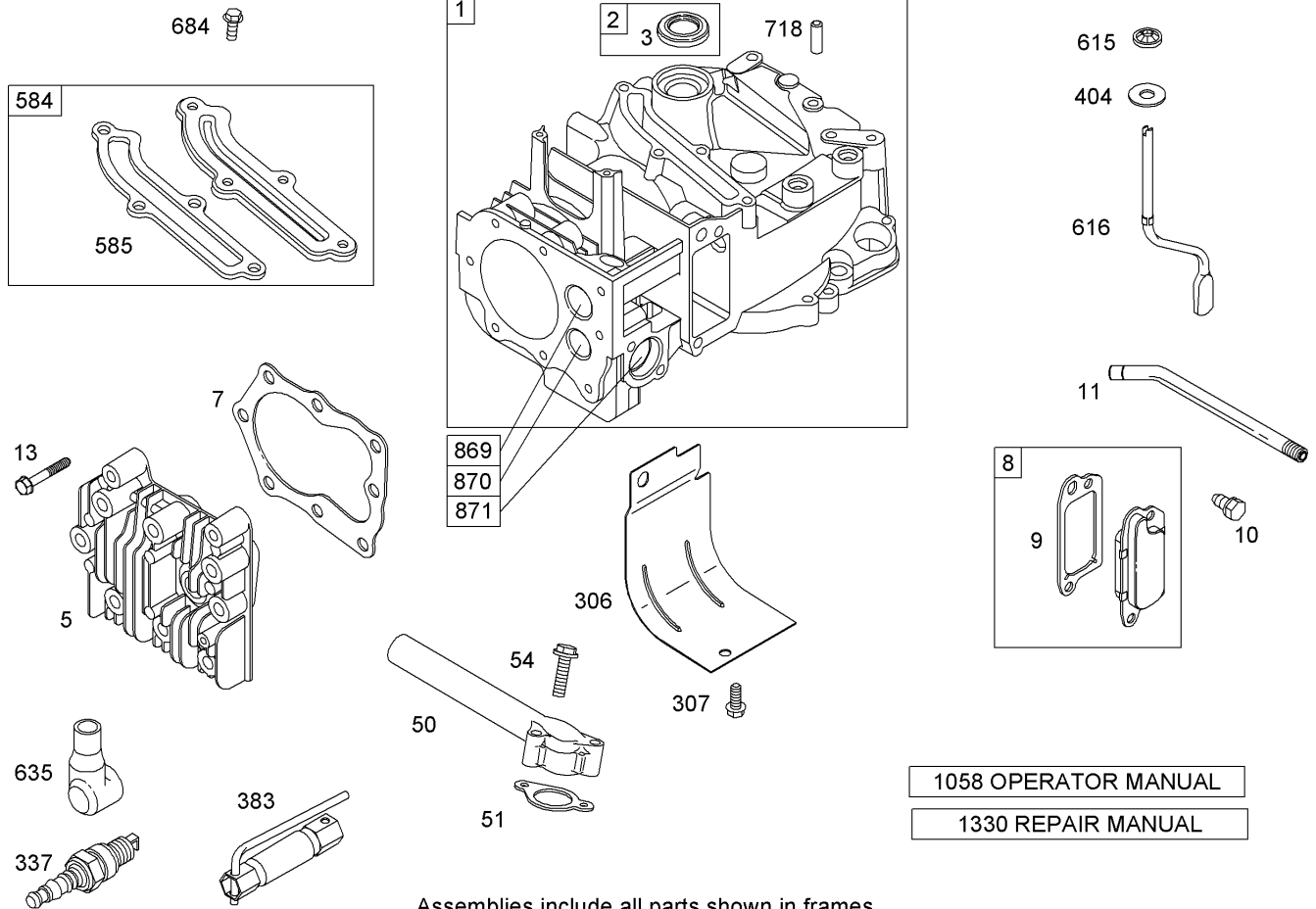
Upper Handle Assembly

Ref	Part No.	Qty.	Description
1	104-8679-03	1	Bail-Brake
2	104-8678	1	Handle-Control
3	99-1588	1	Bar-Control, Traction
4	99-1589	1	Lever-Traction
5	104-8690	1	Spring-Torsion
6	110-7084	1	Handle-Upper
7	105-6841	1	Guide-RH
8	105-6842	1	Guide-LH



Rear Bag Assembly

Ref	Part No.	Qty.	Description
1	110-7044	1	Frame ASM
2	110-7255	1	Bag ASM



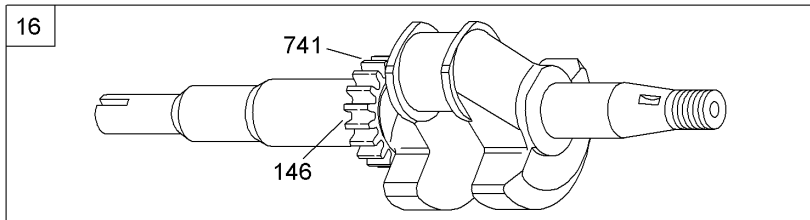
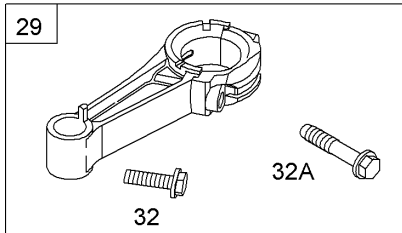
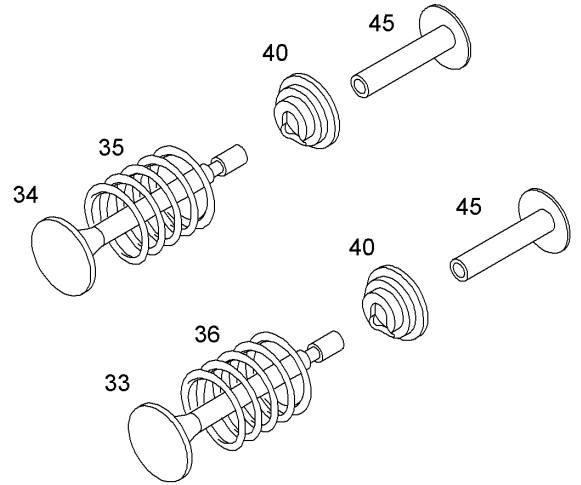
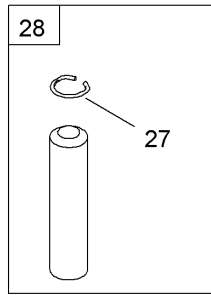
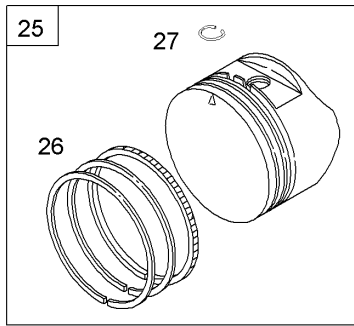
Assemblies include all parts shown in frames

Cylinder Assembly

Briggs and Stratton 12H802-1841-B1

Ref	Part No.	Qty.	Description
1	697322	1	Cylinder ASM
2	399269	1	Bushing Seal Kit
43	299819s	1	Seal-Oil (Magneto Side)
5	691160	1	Head-Cylinder
7	692249	1	Gasket-Head, Cylinder
8	695250	1	Breather ASM
9	696125	1	Gasket-Breather
10	691125	1	Screw (Breather ASM)
11	691781	1	Tube-Breather
13	690912	1	Screw (Cylinder Head)
50	497465	1	Manifold-Intake
51	272199s	1	Gasket-Intake
54	691650	1	Screw (Intake Manifold)
306	690450	1	Cylinder Shield
307	690345	1	Screw (Cylinder Shield)
337	802592s	1	Plug-Spark
383	89838s	1	Wrench-Spark Plug
404	690272	1	Washer (Governor Crank)
584	697734	1	Cover-Passage, Breather
585	691879	1	Gasket-Passage, Breather
615	690340	1	Retainer-Shaft, Governor
616	698801	1	Crank-Governor
635	793351	1	Boot-Spark Plug
684	690345	1	Screw (Breather Passage Cover)

Ref	Part No.	Qty.	Description
718	690959	1	Pin-Locating
869	691155	1	Seat-Valve (Intake)
870	690380	1	Seat-Valve (Exhaust)
871	262001	1	Bushing-Guide (Exhaust)
871	63709	1	Bushing-Guide (Intake)
1058	MS3262	1	Operator Manual (West)
1058	MS3786	1	Operator Manual (East)
1330	270962	1	Repair Manual

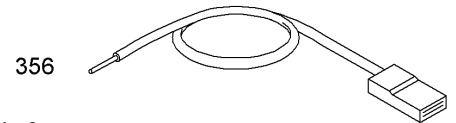
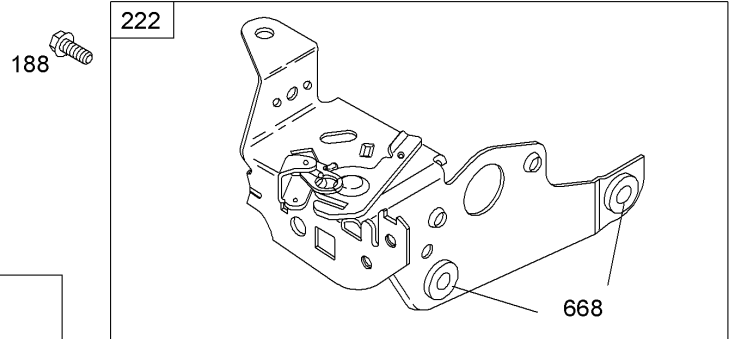
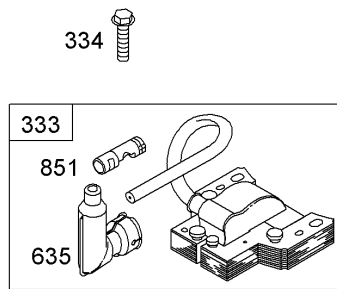
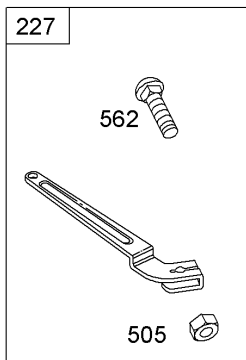
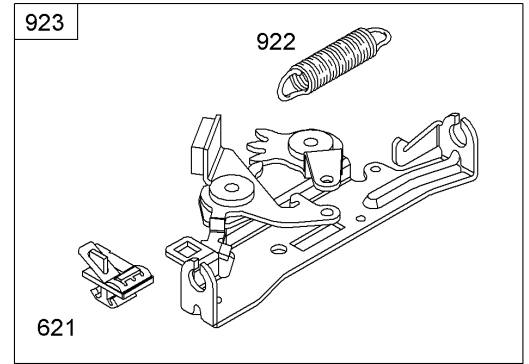
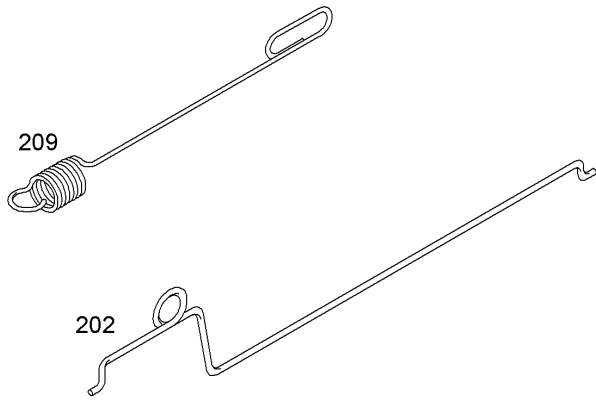


Assemblies include all parts shown in frames

Crankshaft Assembly Briggs and Stratton 12H802-1841-B1

Ref	Part No.	Qty.	Description
16	696009	1	Crankshaft
24	222698s	1	Key-Flywheel
25	791097	1	Piston ASM (STD)
25	791326	1	Piston ASM (.020 O S)
26	791098	1	Ring Set (STD)
26	791324	1	Ring Set (.020 O S)
27	691866	1	Lock-Pin, Piston
28	499423	1	Pin-Piston (STD)
29	499424	1	Rod-Connecting (STD)
32	691664	1	Screw (Connecting Rod)
32A	695759	1	Screw (Connecting Rod)
33	262651s	1	Valve-Exhaust
34	262652s	1	Valve-Intake
35	691270	1	Spring-Valve (Intake)
36	691270	1	Spring-Valve (Exhaust)
40	692194	1	Retainer-Valve
45	690548	1	Tappet-Valve
146	690979	1	Key-Timing
741	691830	1	Gear-Timing

--	--	--	--

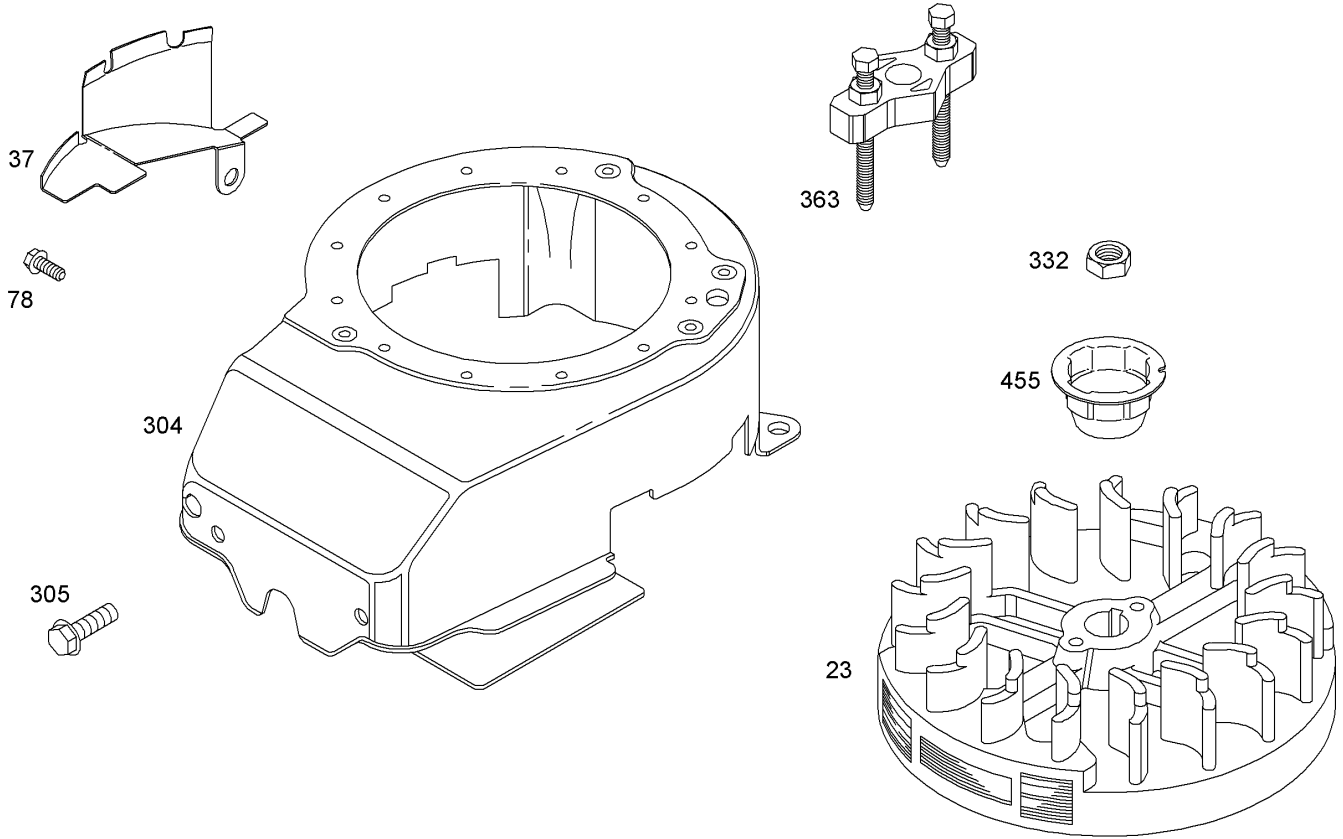


Assemblies include all parts shown in frames

Governor Assembly Briggs and Stratton 12H802-1841-B1

Ref	Part No.	Qty.	Description
②188	690877	1	Screw (Control Bracket)
②202	691829	1	Link-Governor, Mechanical
②209	691852	1	Spring-Governor
②222	793754	1	Bracket-Control
②227	690783	1	Lever-Control, Governor
②333	793353	1	Armature-Magneto
②334	691061	1	Screw (Magneto Armature)
②356	692390	1	Wire-Stop
②505	691251	1	Nut (Governor Control Lever)
②562	691119	1	Screw (Governor Control Lever)
②621	692310	1	Switch-Stop
②635	793351	1	Boot-Spark Plug
②④668	493823	1	Spacer
②745	691648	1	Screw (Brake)
②851	692424	1	Terminal-Spark Plug
②922	692135	1	Spring-Brake
②923	695891	1	Brake

--	--	--	--



1036 EMISSIONS LABEL

Assemblies include all parts shown in frames

Blower Housing Assembly Briggs and Stratton 12H802-1841-B1

Ref	Part No.	Qty.	Description
23	691987	1	Flywheel
37	694086	1	Guard-Flywheel
78	691108	1	Screw (Flywheel Guard)
304	695892	1	Housing-Blower
305	691108	1	Screw (Blower Housing)
332	690662	1	Nut (Flywheel)
363	19069	1	Puller-Flywheel
455	791960	1	Cup-Flywheel
1036		1	Label-Emissions

--	--	--	--

NOTES

NOTES

