

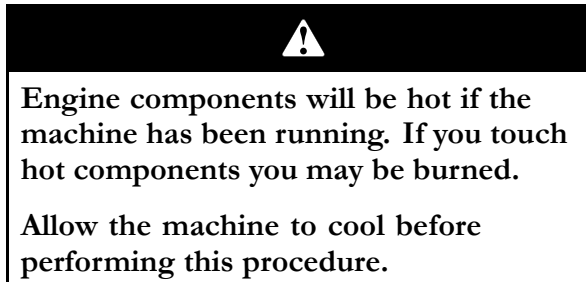
Engine Guard Kit

For Zero-Turn-Radius Riding Mowers

Model No. 79316

Installation Instructions

1. Park the machine on a level surface and disengage the blade control switch.



2. Move the motion control levers outward to the park position, stop the engine, remove the key, and wait for all moving parts to stop before leaving the operating position.
3. Position the engine guard behind the engine as shown in Figure 1.

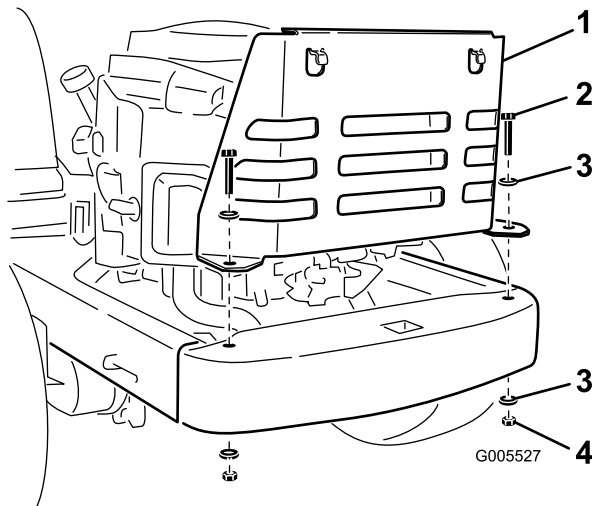


Figure 1

- | | |
|--------------------------|-----------------------|
| 1. Engine guard | 3. Washer |
| 2. Bolt (1/2 x 2 inches) | 4. Locknut (1/2 inch) |

4. Secure the guard to the rear bumper using 2 bolts (1/2 x 2 inches), 4 washers, and 2 locknuts (1/2 inch) (Figure 1). Ensure that you tighten the nuts securely.