



## 48cm Recycler<sup>®</sup>/Rear Bagging Lawnmower

Model No. 20826 - 200000001 and up.

### Parts Catalog

---

#### **Ordering Replacement Parts**

To order replacement parts, please supply the part number, the quantity, and the description of each part desired.

#### **Understanding Reference Numbers**

Each identified part in an illustration has a reference number. The reference number for a part also appears in the parts list, along with other information about the part.

This catalog uses two special reference number formats, one to indicate parts in a service assembly and another to indicate the quantity of a given part in an illustration.

#### **Service Assembly Reference Numbers**

Parts in service assemblies have reference numbers in the form a:b. The a represents the reference number of the entire service assembly and the b represents a sequential number unique to each part within the service assembly.

For example, a wheel assembly might be identified by reference number 6, the tire by 6:1, the valve by 6:2, and the wheel by 6:3. When you order the assembly identified by reference number 6, you receive all parts identified by reference numbers 6:1, 6:2, and 6:3. However, you may also order any part individually. Reference numbers of this type appear in illustrations and in part lists.

#### **Reference Numbers Indicating Quantity**

In an illustration, if a reference number indicates more than one part, the reference number has the form nX y. The n represents the quantity of the part, the X is the multiplication symbol, and the y represents the reference number.

For example, in an illustration, the reference number 2X 37 means that two of the parts identified by reference number 37 are indicated.

# Contents

Description	Page	Description	Page
Deck, Kickers And Recycler Plug Assembly	..... 3	Carburetor Assembly Briggs and Stratton 123602-0152-E1	..... 13
Engine And Blade Assembly	..... 4	Governor Assembly Briggs and Stratton 123602-0152-E1	..... 14
Hoc And Wheel Assembly	..... 5	Air Cleaner Assembly Briggs and Stratton 123602-0152-E1	..... 15
Self Propelled Handle And Controls Assembly	..... 6	Flywheel Assembly Briggs and Stratton 123602-0152-E1	..... 16
Rear Bagger Assembly	..... 7	Starter Assembly Briggs and Stratton 123602- 0152-E1	..... 17
Drive Assembly	..... 8	Gasket Set Briggs and Stratton 123602-0152- E1	..... 18
Gear Case Assembly No. 99-6466	..... 9	Fuel Line and Fuel Pump Assembly 123602- 0152-E1	..... 19
Cylinder Assembly Briggs and Stratton 123602-0152-E1	..... 10		
Cylinder Head Assembly Briggs and Stratton 123602-0152-E1	..... 11		
Crankcase and Crankshaft Assembly Briggs and Stratton 123602-0152-E1	..... 12		

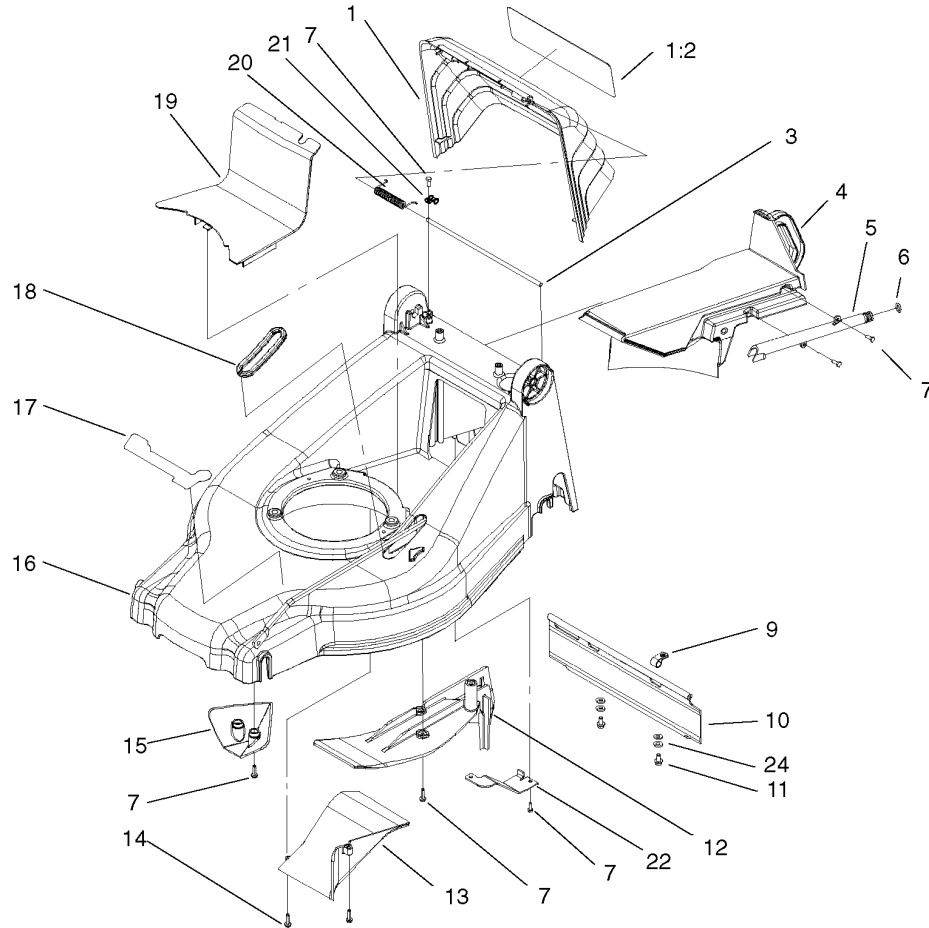
## Part Description Abbreviations

Part descriptions in this catalog may include the following abbreviations.

AR. .... as required	HYD. .... hydraulic
ASM. .... assembly	LH. .... left hand
BBC. .... blade brake clutch	NI. .... nylon insert
CARR. .... carriage	NPTF. .... national pipe thread fine
DEG. .... degrees	PFH. .... phillips flat head
EXT. .... external	PPH. .... phillips pan head
FH. .... flat head	PPHTF. .... phillips pan head thread forming
GA. .... gauge	PRH. .... phillips round head
HD. .... heavy-duty	PTH. .... phillips truss head
HF. .... hex flange	PTO. .... power-take-off
HH. .... hex head	RH. .... right hand
HHF. .... hex head flange	ROPS. .... roll-over protection system
HHFTF. .... hex head flange thread forming	SFH. .... slotted fillister head
HJ. .... hex jam	SHH. .... slotted hex head
HLH. .... hex lag head	SHWH. .... slotted hex washer head
HOC. .... height-of-cut	SPH. .... slotted pan head
HSBH. .... hex socket button head	SQH. .... square head
HSFH. .... hex socket flat head	SRH. .... slotted round head
HSH. .... hex socket head	STD. .... standard
HWH. .... hex washer head	TAP. .... self tapping
HWHTF. .... hex washer head thread forming	TTH. .... torx truss head

## Footnotes

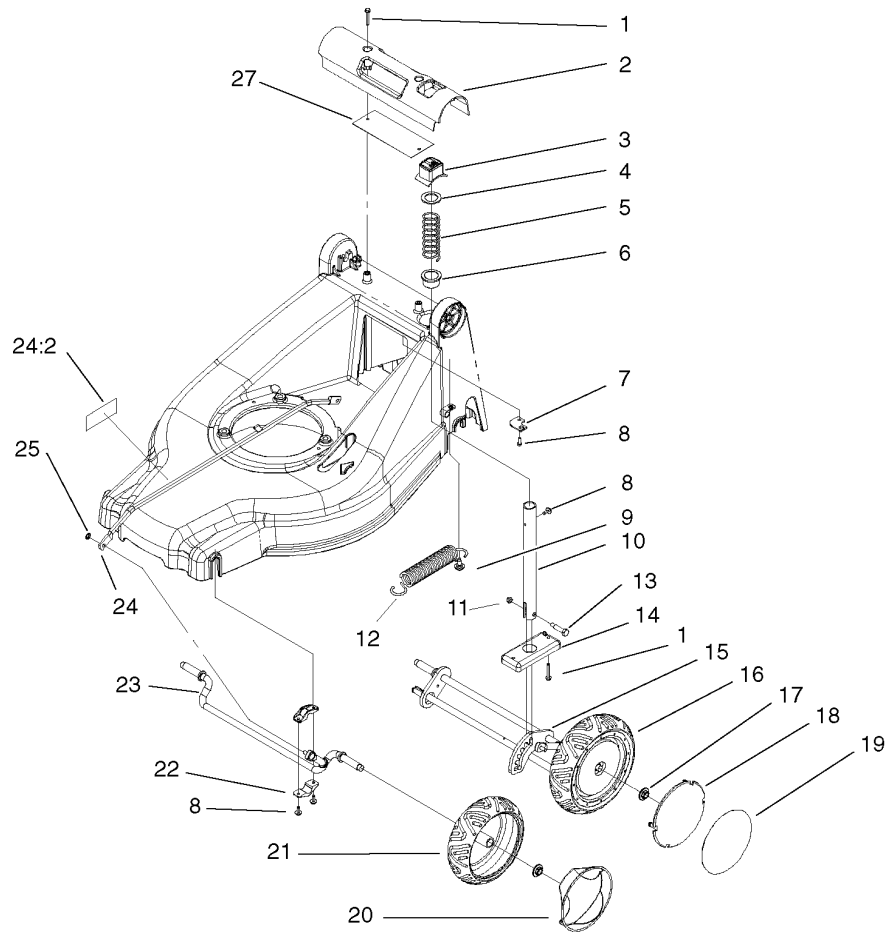
- |   |   |
|---|---|
| <p>❶ Included in Engine Gasket Set-See Ref. 358</p> <p>❷ Included in Carburetor Overhaul Kit-See Ref. 121</p> | <p>❸ Included in Carburetor Gasket Set-See Ref. 977</p> <p>❹ Included in Valve Gasket Set-See Ref. 1095</p> |
|---|---|



## Deck, Kickers And Recycler Plug Assembly

Ref	Part No.	Qty.	Description
1	100-9115	1	Door ASM
1:2	93-4105	1	Decal-Danger
3	100-1509	1	Rod-Pivot
4	100-1505	1	Plug-Kicker, Recycler
5	100-1522	1	Fitting-Washout
6	46-6290	1	O-Ring
7	32144-1	11	Screw-Taptite
9	2412-87	2	Clamp-Cable
10	100-4367	1	Shield-Trailing
11	49-2040	2	Screw-HWHTF
12	99-6486	1	Cover-Kicker, Rear
13	100-1506	1	Ramp-Discharge
14	100-4352	2	Screw-HWH
15	99-6485	1	Kicker-Front
16	99-6457-01	1	Deck
17	100-4354	1	Decal-Recycler
18	100-3932	1	Boot-HOC
19	99-6479	1	Cover-Belt
20	99-5293	1	Spring-Torsion
21	98-2256	2	Clamp
22	100-9123-03	1	Bracket-Deck
24	3256-22	4	Washer-Flat

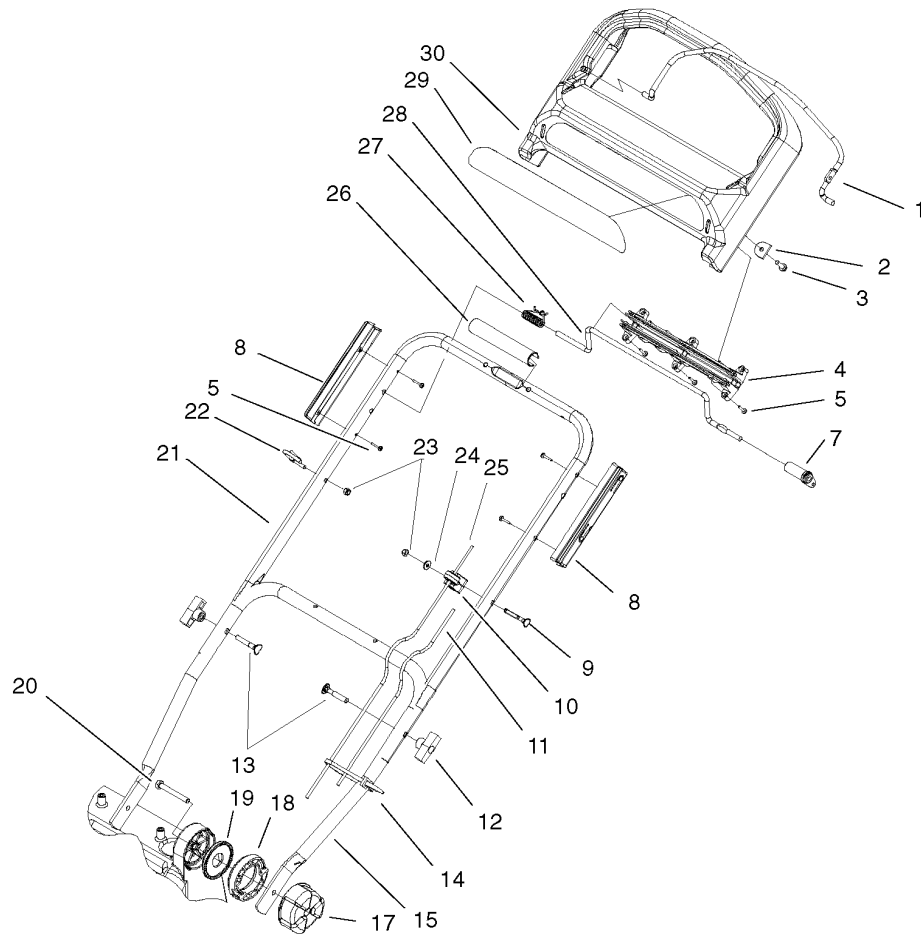




## Hoc And Wheel Assembly

Ref	Part No.	Qty.	Description
1	100-4352	4	Screw-HWH
2	99-6487	1	Handle-Deck
3	99-6480	1	Button-HOC
4	88-7540	1	Washer-Backup
5	99-6481	1	Spring-Compression, HOC
6	99-6483	1	Bushing-HOC
7	100-1525	1	Bracket-Cable, Traction
8	32144-1	6	Screw-Taptite
9	92-9698	1	Screw-Shoulder
10	99-6458	1	Pipe-HOC
11	3296-73	1	Nut-Lock, NI
12	100-4384	1	Spring-Extension, HOC
13	99-6459	1	Bolt-Shoulder
14	99-6460	1	Plate-Support, HOC
15	99-6478	1	Rear Axle ASM
16	99-6471	2	Wheel And Tire ASM
17	100-4370	4	Nut-Lock, Flanged
18	100-4366	2	Cover-Smart Wheel
19	100-9114	2	Decal-Smart Wheel
20	95-6543	2	Cover-Wheel
21	99-6470	2	Wheel ASM
22	100-1500	4	Mount-Axle, Front
23	99-6464	1	Axle-Front ASM
24	100-9116	1	Rod ASM

Ref	Part No.	Qty.	Description
24:2	100-4355	1	Decal-HOC
25	100-3939	2	Palnut
27	100-4383-03	1	Cover-Handle

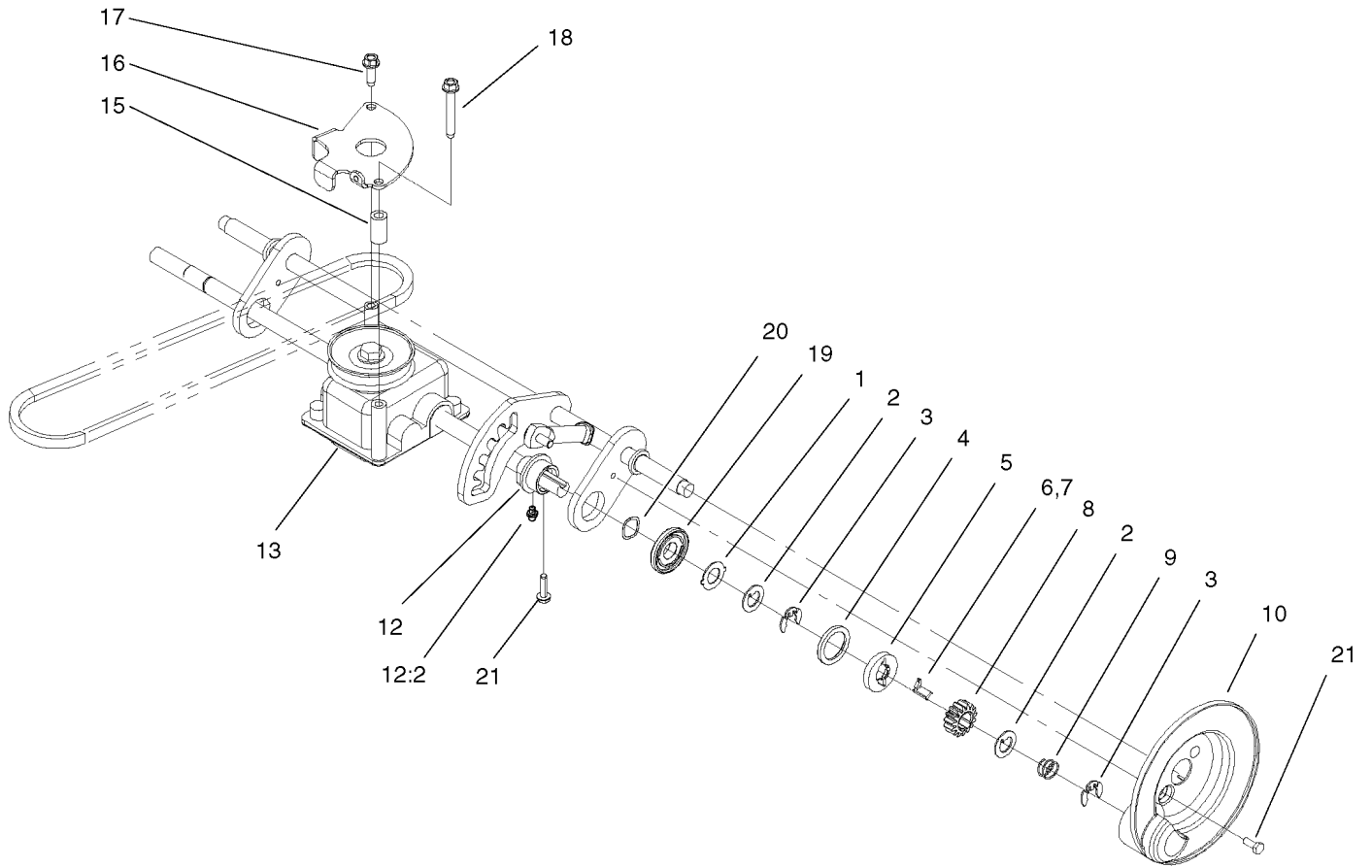


## Self Propelled Handle And Controls Assembly

Ref	Part No.	Qty.	Description
1	99-1593-03	1	Bail-Brake
2	99-1595	1	Retainer-Cable, Brake
3	46-8091	1	Screw-HWH
4	99-6008	1	Retainer-Control Rod, Traction
5	94-4496	10	Screw-PPH
7	99-1589	1	Lever-Traction
8	99-1590	2	Guide-Handle, Control
9	95-4453	1	Screw
10	99-5239	1	Anchor-Cable
11	100-3936	1	Cable-Traction
12	98-7134	2	Knob-Handle
13	92-2260	2	Screw-Handle
14	3290-378	2	Tie-Cable
15	100-1502-05	1	Handle-Lower
17	100-4396	2	Knob-Adjusting, Handle
18	100-1510	2	Disk Adjusting-Handle
19	100-1517	2	Disk-Holding, Handle
20	60-6690	2	Capscrew
21	99-1596-05	1	Handle-Upper
22	86-9671	1	Guide-Rope
23	3296-73	2	Nut-Lock, NI
24	3256-1	1	Washer-Flat
25	100-3937	1	Cable-Brake
26	100-5970	1	Cover-Handle

Ref	Part No.	Qty.	Description
27	99-1592	1	Spring-Torsion, RH
28	99-1588	1	Bar-Control, Traction
29	100-5950	1	Decal-Automatic
30	99-1582	1	Handle-Control



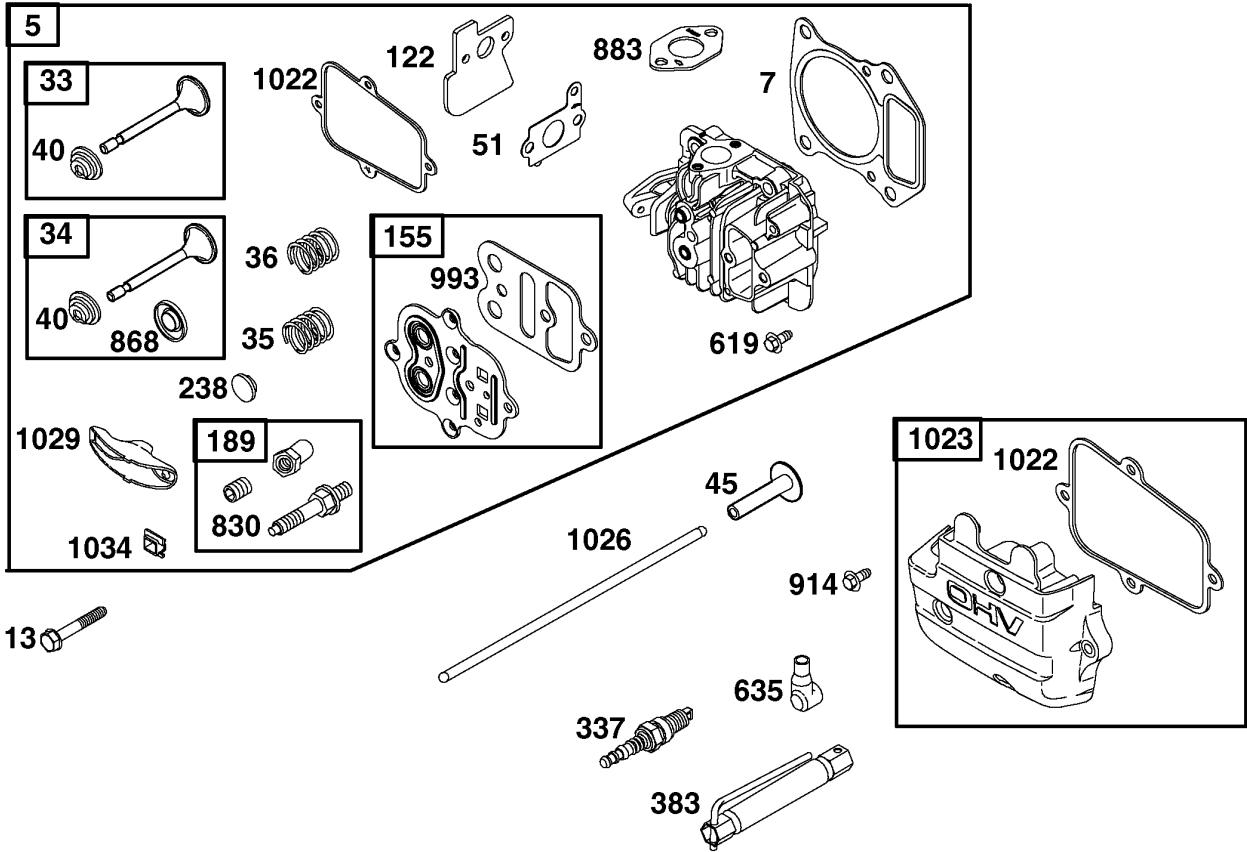


### Drive Assembly

Ref	Part No.	Qty.	Description
1	65-4730	2	Washer-Arm, Pivot
2	65-4740	4	Washer-Thrust, Keyed
3	65-2720	4	Klipring-Locking
4	65-4710	2	Ring-Friction
5	65-4760	2	Washer-Clutch
6	66-6040	1	Key-Rocking, RH
7	66-6050	1	Key-Rocking, LH
8	65-4750	2	Gear-Pinion
9	65-4720	2	Spring-Compression
10	100-1513	2	Cover-Gear
12	100-9118	2	Bushing ASM
12:2	302-56	1	Fitting-Grease
13	99-6466	1	Transmission ASM
15	614673	1	Bushing-Plate, Actuator
16	100-1524-03	1	Guide-Transmission
17	49-2040	1	Screw-HWHTF
18	92-1616	1	Screw-HWHTF
19	100-1511	2	Retainer-Ring
20	100-1515	2	Washer-Wave
21	32144-1	4	Screw-Taptite





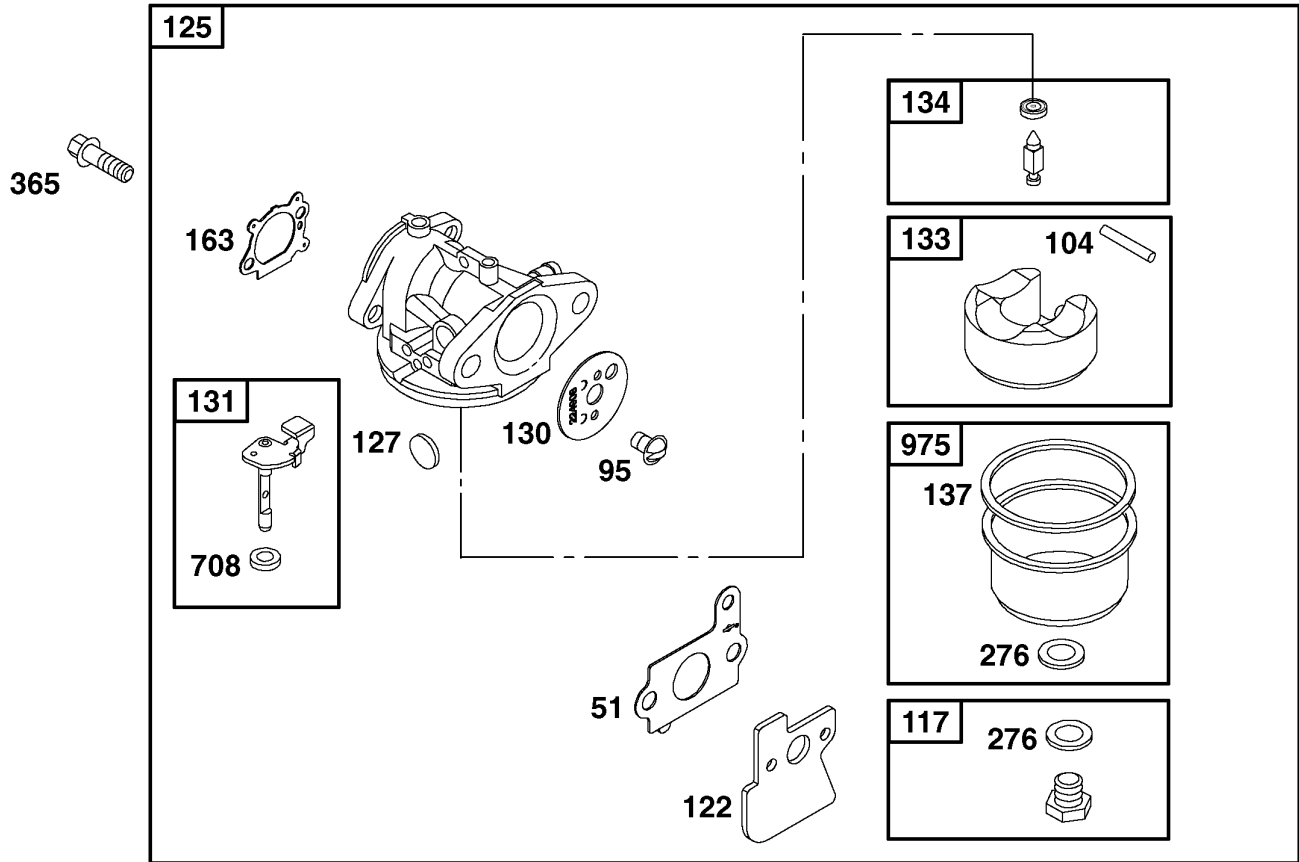
Assemblies include all parts shown in frames.

## Cylinder Head Assembly Briggs and Stratton 123602-0152-E1

Ref	Part No.	Qty.	Description
5	99-0929	1	Head-Cylinder
1 4	99-0930	1	Gasket-Head, Cylinder
13	99-0931	1	Screw-HH
33	99-0932	1	Valve-Exhaust
34	99-0933	1	Valve-Intake
35	99-0934	1	Spring-Valve
40	99-0935	1	Retainer-Spring, Valve
45	99-0936	1	Tappet-Valve
155	99-0938	1	Plate-Head, Cylinder
189	99-0939	1	Ball-Rocker Arm
238	99-0940	1	Cap-Valve
914	100-9147	1	Screw - Rocker Cover
337	77-7330	1	Plug-Spark
383	99-0944	1	Spark Plug Wrench
635	77-9190	1	Elbow-Plug, Spark
830	99-0945	1	Stud-Arm, Rocker
619	99-0941	1	Screw-HH
1 4	868	1	Seal-Valve
1 4	883	1	Gasket-Exhaust
36	99-0934	1	Spring-Valve
1 4	1022	1	Gasket-Cover, Rocker
1023	98-9211	1	Cover-Rocker & Gasket
1026	99-0949	1	Rod-Push
1029	99-0950	1	Arm-Rocker

Ref	Part No.	Qty.	Description
1034	99-0951	1	Guide-Rod, Push
1 4	993	1	Gasket-Plate
51	99-0968	1	Gasket-Intake
1 2	122	1	Spacer-Carburetor
3 4			

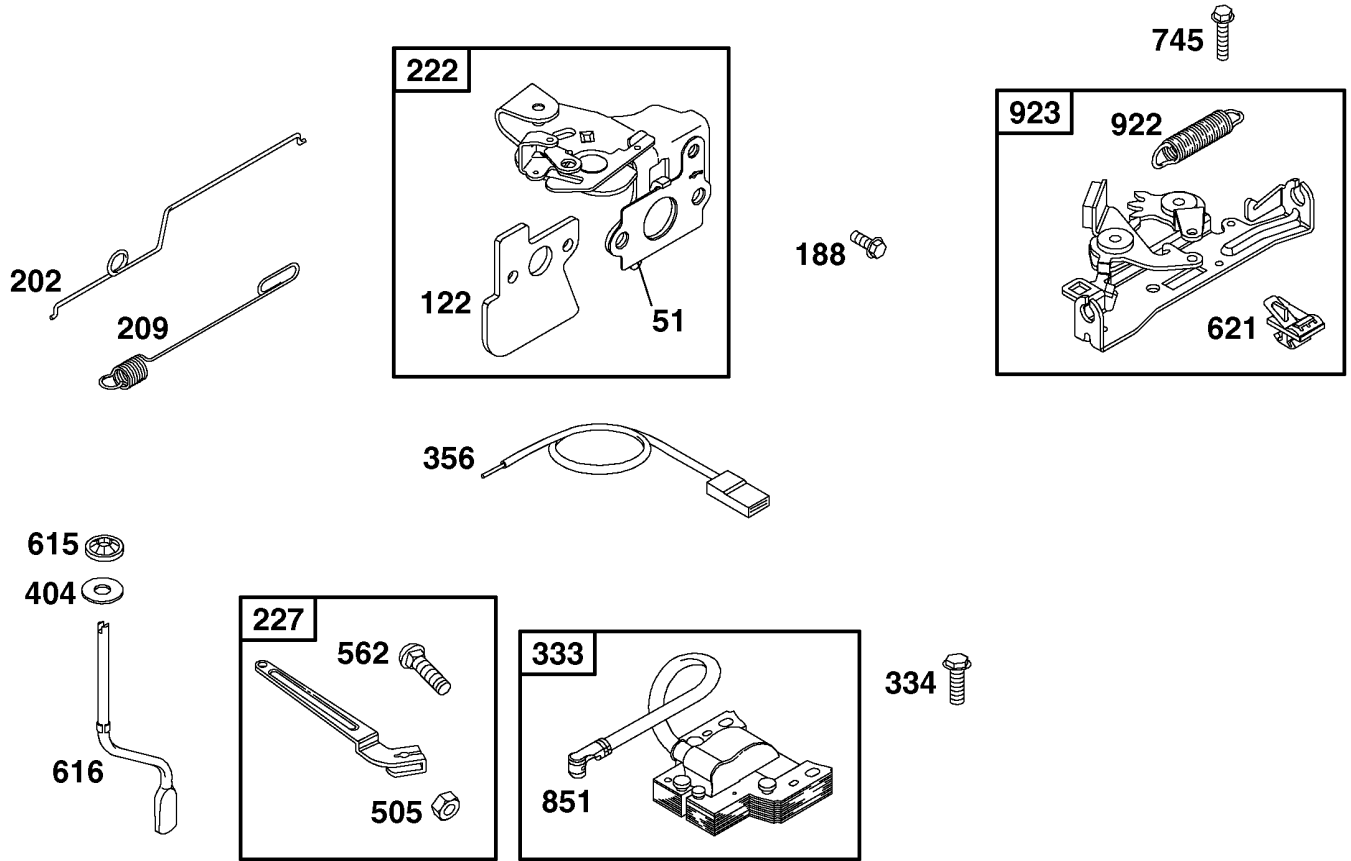




Assemblies include all parts shown in frames.

## Carburetor Assembly Briggs and Stratton 123602-0152-E1

Ref	Part No.	Qty.	Description
95	99-0969	1	Screw-SPH
③ 104	99-0970	1	Pin-Hinge, Float
117	99-0971	1	Jet-Main
② ⑤ 708	100-5037	1	Seal-Dust
125	99-0973	1	Carburetor
130	99-0974	1	Valve-Throttle
131	99-0975	1	Shaft-Throttle
② ⑤ 276	100-5038	1	Washer-Sealing
③ 134	77-8110	1	Valve-Float
① ② 163	99-0976	1	Gasket-Cleaner, Air
③			
975	99-0977	1	Bowl-Float
133	77-8170	1	Float-Carburetor
① ② 51	99-0968	1	Gasket-Intake
③ ④			
365	99-0972	1	Screw-Shoulder
① ② 122	99-0978	1	Spacer-Carburetor
③ ④			
⑤ 127	100-9107	1	Plug-Welch
② ⑤ 137	104-7550	1	Gasket-Float Bowl

Assemblies include all parts shown in frames.

## Governor Assembly Briggs and Stratton 123602-0152-E1

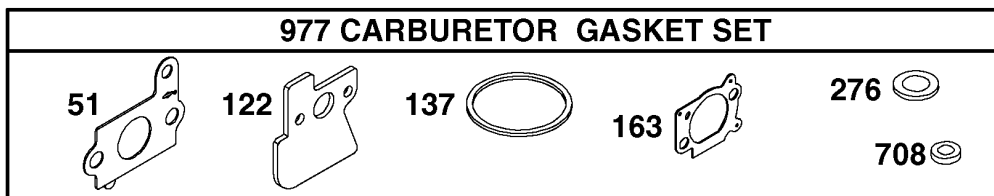
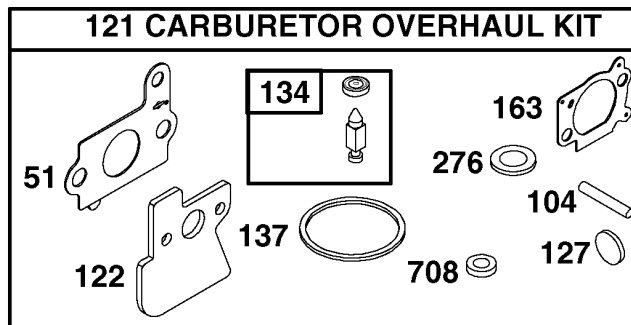
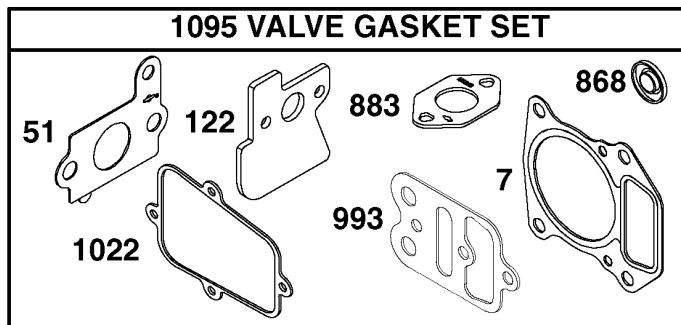
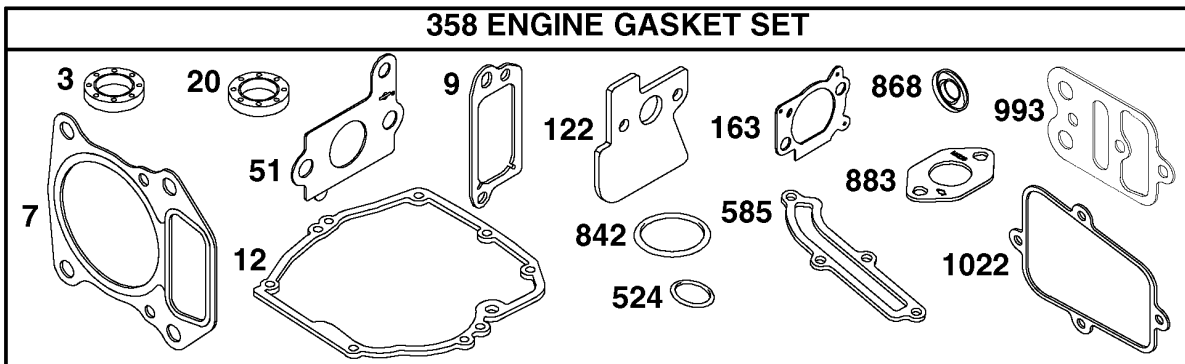
Ref	Part No.	Qty.	Description
1 2 51 3 4	99-0968	1	Gasket-Intake
1 2 122 3 4	99-0978	1	Spacer-Carburetor
222	100-2891	1	Bracket-Control
910	99-1014	1	Stud-Mounting, Starter
202	99-0981	1	Link-Governor
188	100-5031	1	Screw-Control Bracket
745	99-0983	1	Screw-HH
474	99-1011	1	Alternator
356	99-1007	1	Wire-Stop
334	99-1006	1	Screw-HH
935	100-9109	1	Switch-Interlock
851	77-9450	1	Terminal-Plug, Spark
333	99-1005	1	Armature-Magneto
922	99-0987	1	Spring-Brake
923	99-0988	1	Brake Assembly
621	99-0986	1	Switch-Stop
1160	77-9520	1	Screw-HH
227	99-0917	1	Governor Lever ASM
404	99-0918	1	Washer-Crank, Governor
562	99-0921	1	Screw-HH
505	99-0924	1	Nut-Hex
615	99-0925	1	Fastener

Ref	Part No.	Qty.	Description
616	99-0926	1	Crank-Governor
209	99-0982	1	Spring-Governor
1119	104-7551	1	Screw-Alternator









## Gasket Set Briggs and Stratton 123602-0152-E1

Ref	Part No.	Qty.	Description
①3	99-0912	1	Oil Seal
①④7	99-0930	1	Gasket-Head, Cylinder
①9	99-0913	1	Gasket-Breather
①12	99-0953	1	Gasket-Crankcase
1095	100-5033	1	Valve Overhaul Gasket Set
⑤104	99-0970	1	Pin-Hinge, Float
977	100-5034	1	Gasket Set-Carburetor
358	100-5035	1	Engine Overhaul Gasket Set
⑤134	77-8110	1	Valve-Float
121	100-5036	1	Carburetor Kit
②⑤708	100-5037	1	Seal-Dust
②⑤276	100-5038	1	Washer-Sealing
①④868	99-0946	1	Seal-Valve
①④883	99-0947	1	Gasket-Exhaust
①842	77-7270	1	O-Ring
①524	77-7300	1	O-Ring
①④1022	99-0907	1	Gasket-Cover, Rocker
①②122	99-0978	1	Spacer-Carburetor
③④			
①585	99-0925	1	Fastener
①④993	99-0948	1	Plate-Gasket
①20	99-0955	1	Oil Seal
①②51	99-0968	1	Gasket-Intake
③④			

Ref	Part No.	Qty.	Description
②⑤163	99-0976	1	Gasket-Cleaner, Air
④			
⑤127	100-9107	1	Plug-Welch
②⑤137	104-7550	1	Gasket-Float Bowl



