



Z593-D Z Master[®] With 52in TURBO FORCE[®] Side Discharge Mower

Model No. 74264 - 260000001 and up.

Parts Catalog

Ordering Replacement Parts

To order replacement parts, please supply the part number, the quantity, and the description of each part desired.

Understanding Reference Numbers

Each identified part in an illustration has a reference number. The reference number for a part also appears in the parts list, along with other information about the part.

This catalog uses two special reference number formats, one to indicate parts in a service assembly and another to indicate the quantity of a given part in an illustration.

Service Assembly Reference Numbers

Parts in service assemblies have reference numbers in the form a:b. The a represents the reference number of the entire service assembly and the b represents a sequential number unique to each part within the service assembly.

For example, a wheel assembly might be identified by reference number 6, the tire by 6:1, the valve by 6:2, and the wheel by 6:3. When you order the assembly identified by reference number 6, you receive all parts identified by reference numbers 6:1, 6:2, and 6:3. However, you may also order any part individually. Reference numbers of this type appear in illustrations and in part lists.

Reference Numbers Indicating Quantity

In an illustration, if a reference number indicates more than one part, the reference number has the form nX y. The n represents the quantity of the part, the X is the multiplication symbol, and the y represents the reference number.

For example, in an illustration, the reference number 2X 37 means that two of the parts identified by reference number 37 are indicated.

Contents

Description	Page	Description	Page
Front Frame Assembly 4	Oil Pan Assembly 30
Caster Wheel Assembly 5	Cylinder Head Assembly 31
Traction Frame and Floor Pan Assembly 6	Gear Case and Oil Filter Cartridge Assembly 32
Seat and Roll-Over Protection System Assembly 7	Head Cover Assembly 33
Roll-Over-Protection-System Assembly No. 110-0877 8	Dipstick, Guide and Oil Pump Assembly 34
Parking Brake and Wheel Assembly 9	Main Bearing Case Assembly 35
Hydro Control Assembly 10	Camshaft and Idle Gear Shaft Assembly 36
Engine, Exhaust and Air Intake Assembly 11	Piston and Crankshaft Assembly 37
Air Cleaner Assembly No. 93-2190 12	Flywheel, Fuel Camshaft and Governor Shaft Assembly 38
Hydro and Gearbox Drive Assembly 13	Idle Apparatus and Stop Solenoid Assembly 39
Gearbox Assembly No. 107-9887 14	Injection Pump and Governor Assembly 40
Hydraulic Tank, Motor and Pump Assembly 15	Speed Control Plate Assembly 41
Tandem Pump Assembly No. 107-9885 17	Nozzle Holder and Glow Plug Assembly 42
Throttle, Control Panel and Fuel Tank Assembly 18	Nozzle Holder Assembly 43
Engine Housing Assembly 19	Fuel Pump and Fuel Filter Assemblies 45
Cooling System Assembly 20	Alternator, Pulley and Fuel Pump Cover Assembly 46
Hood Assembly 21	Alternator Assembly 47
Deck Connection Assembly 22	Starter Installation Assembly 48
Deck Assembly 23	Starter Assembly 49
Spindle Assembly No. 106-3217 25	Water Flange, Pump, Pipe and Thermostat Assembly 50
Deck Decal Assembly No. 108-5965 26	Valve and Rocker Arm Assembly 51
Rubber Deflector Assembly No. 108-2792 27	Inlet and Exhaust Manifold Assembly 52
Electrical Assembly 28	Gasket Kit Assemblies 53
Crankcase Assembly 29	Piston Kit Assembly 54
		Attachments and Accessories List 55

Part Description Abbreviations

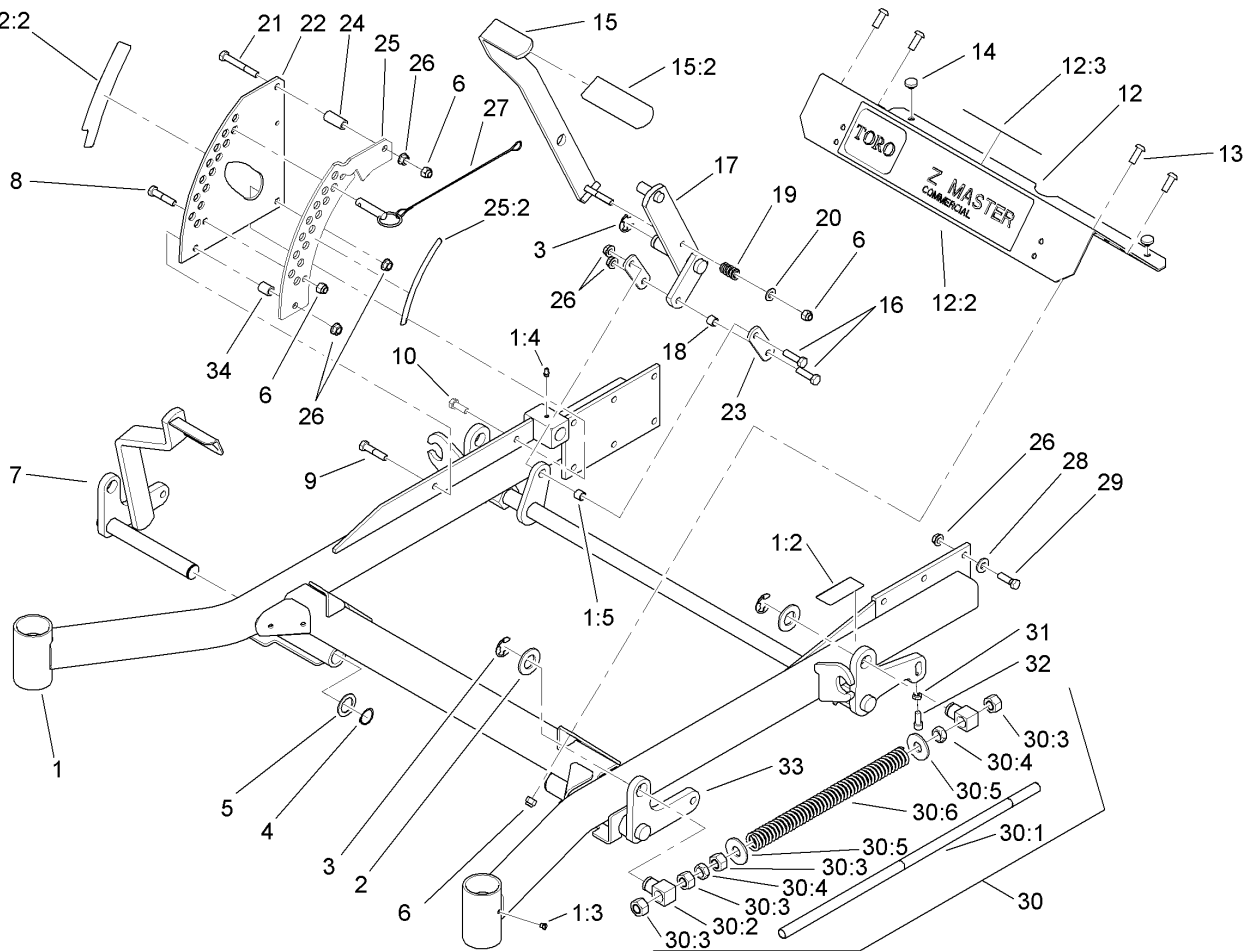
Part descriptions in this catalog may include the following abbreviations.

AR.	as required	HYD.	hydraulic
ASM.	assembly	LH.	left hand
BBC.	blade brake clutch	NI.	nylon insert
CARR.	carriage	NPTF.	national pipe thread fine
DEG.	degrees	PFH.	phillips flat head
EXT.	external	PPH.	phillips pan head
FH.	flat head	PPHTF.	phillips pan head thread forming
GA.	gauge	PRH.	phillips round head
HD.	heavy-duty	PTH.	phillips truss head
HF.	hex flange	PTO.	power-take-off
HH.	hex head	RH.	right hand
HHF.	hex head flange	ROPS.	roll-over protection system
HHFTF.	hex head flange thread forming	SFH.	slotted fillister head
HJ.	hex jam	SHH.	slotted hex head
HLH.	hex lag head	SHWH.	slotted hex washer head
HOC.	height-of-cut	SPH.	slotted pan head
HSBH.	hex socket button head	SQH.	square head
HSFH.	hex socket flat head	SRH.	slotted round head
HSH.	hex socket head	STD.	standard
HWH.	hex washer head	TAP.	self tapping
HWHTF.	hex washer head thread forming	TTH.	torx truss head

Footnotes

❶ Not illustrated

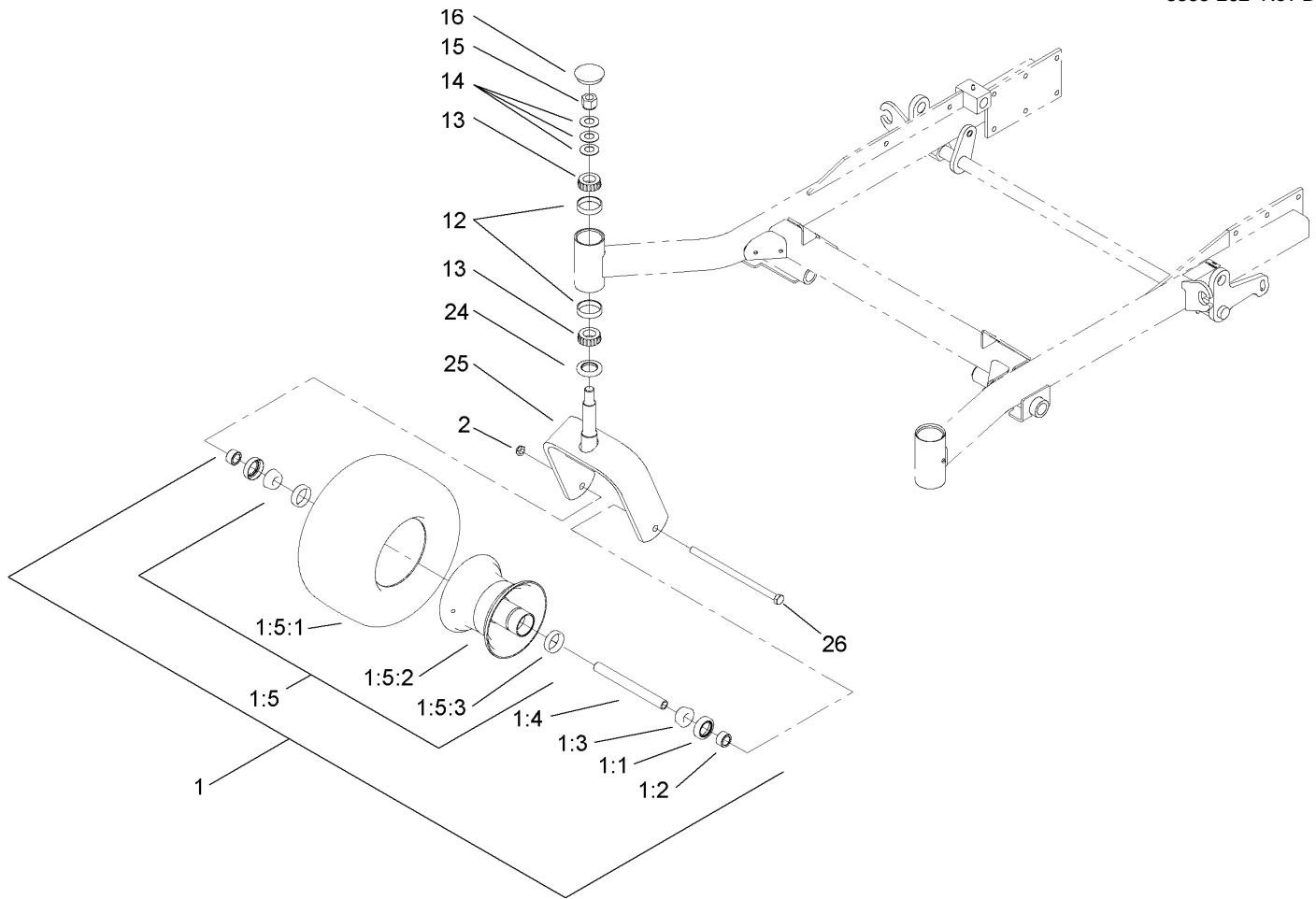
❷ Not serviced separately



Front Frame Assembly

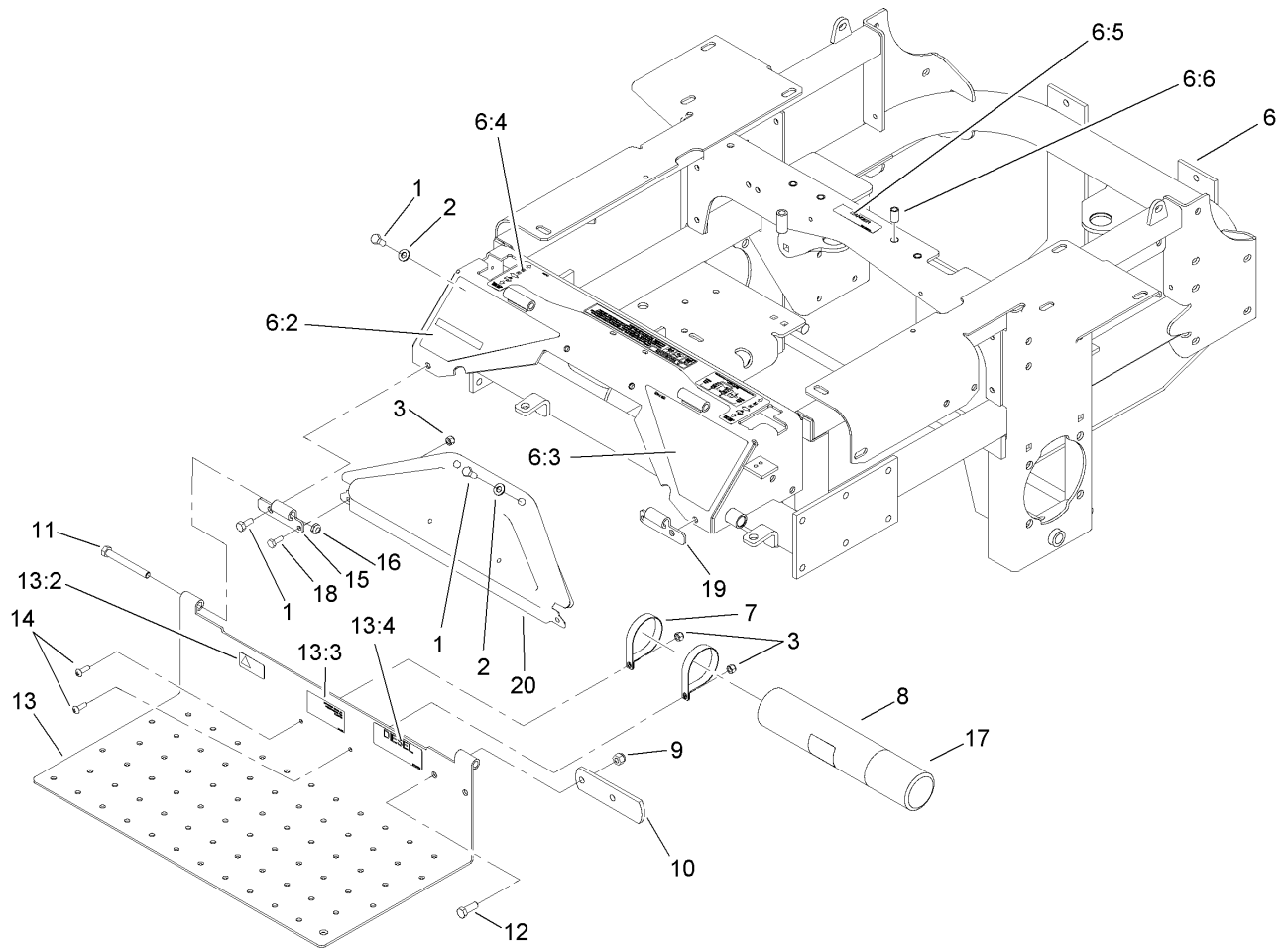
Ref	Part No.	Qty.	Description
1	106-8978	1	Frame ASM
1:2	107-1857	1	Decal-Brake, Parking
1:3	1-811010	2	Plug
1:4	302-19	5	Fitting-Grease
1:5	103-1918	1	Bushing
2	3256-29	4	Washer-Flat
3	32151-103	5	Ring-Snap
4	32151-29	2	Ring-Retaining
5	1-523157	2	Washer-Spacer
6	3296-39	7	Nut-Lock, NI
7	108-7786-01	1	RH Front Deck Lift ASM
8	323-9	1	Screw-HH
9	323-10	1	Screw-HH
10	323-6	1	Screw-HH
12	106-9981	1	Footrest
12:2	106-7451	1	Decal
12:3	107-2112	1	Decal-Warning
13	3274-94	4	Screw-HSBH
14	1-513658	2	Bumper
15	103-2084	1	Lift Lever/Grip ASM
15:2	1-633295	1	Grip-Lever, Lift
16	323-29	2	Screw-HH
17	103-2064-03	1	Arm-Lift, Deck
18	103-1918	1	Bushing

Ref	Part No.	Qty.	Description
19	1-633325	1	Spring-Compression
20	3256-24	1	Washer-Flat
21	323-13	1	Screw-HH
22	110-0833	1	Plate-Deck Lift, Outer
22:2	107-1860	1	Decal-Height, Deck
23	1-633068	2	Arm-Lift, Deck
24	1-633082	1	Bushing-Lever, Lift
25	110-0834	1	Plate-Deck Lift, Inner
25:2	107-1861	1	Decal-Height, Deck
26	3290-357	17	Nut-HHF, Whiz
27	106-9951	1	Hitch Pin ASM
28	98-5975	12	Washer-Belleville
29	323-7	12	Screw-HH
30		2	Front Frame Spring ASM
30:1	1-633096	1	Rod-Lift, Deck
30:2	1-633441	2	Swivel-Deck Mount, Rear
30:3	3217-11	4	Nut-Hex
30:4	3218-6	2	Nut-Jam
30:5	3256-7	2	Washer-Flat
30:6	1-633064	1	Spring-Support, Deck
31	3218-2	2	Nut-Jam
32	3274-18	2	Screw-HSH
33	106-8984-01	1	LH Deck Lift ASM
34	1-633080	1	Bushing-Lever, Lift



Caster Wheel Assembly

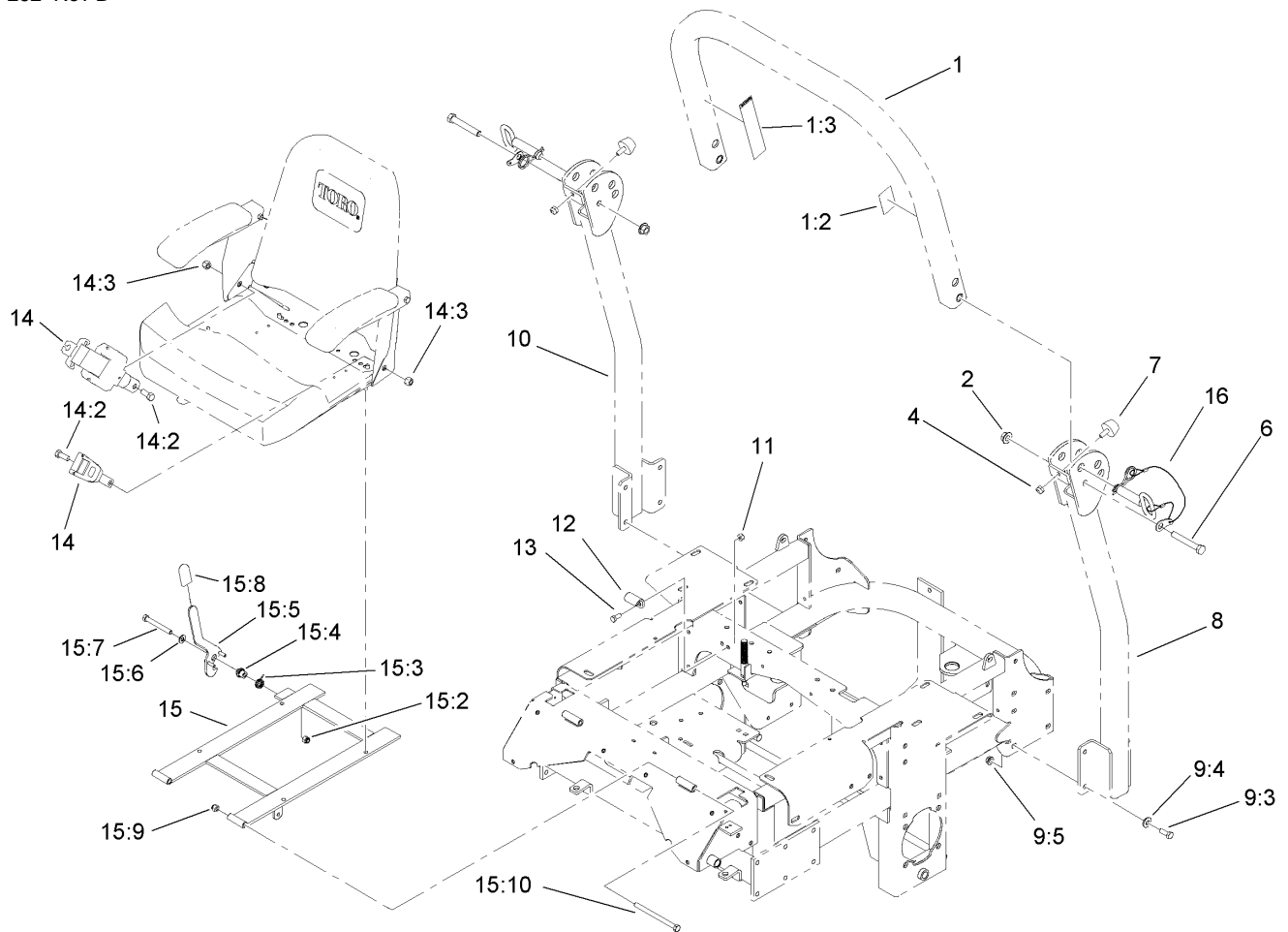
Ref	Part No.	Qty.	Description
1	1-644251	2	Caster Wheel ASM
1:1	1-633580	2	Seal-Bearing
1:2	1-633581	2	Spacer-Bearing
1:3	1-633585	2	Bearing-Cone, Taper
1:4	1-633959	1	Spacer-Caster, Front
1:5		1	Wheel And Tire ASM
1:5:1	1-523009	1	Tire
1:5:2	1-633987	1	Wheel
1:5:3	1-633584	2	Bearing-Cup
2	3296-23	2	Nut-Lock, NI
12	254-72	4	Bearing-Cup, Tapered
13	254-94	4	Bearing-Cone, Tapered
14	1-633508	6	Washer-Bellville
15	3296-51	2	Nut-Lock, NI
16	103-4882	2	Cap-Grease
24	1-543511	2	Seal-Grease
25	1-642111-01	2	Caster
26	325-24	2	Screw-HH



Traction Frame and Floor Pan Assembly

Ref	Part No.	Qty.	Description
1	322-43	6	Screw-HH
2	3256-70	4	Washer-Flat
3	3296-42	4	Nut-Lock, NI
6	107-3497	1	Main Frame ASM
6:2	106-9989	1	Decal-Warning
6:3	106-7492	1	Decal-Danger
6:4	110-0819	1	Decal-Console, Top
6:5	98-5954	1	Decal-Cover, Missing
6:6	32148-11	5	Insert-Threaded
7	107-1865	2	R-Clamp
8	104-7050	1	Housing-Manual
9	3296-39	2	Nut-Lock, NI
10	1-633964-03	1	Stop-Brake, Park
11	323-20	2	Screw-HH
12	323-6	2	Screw-HH
13	107-7697	1	Floor Pan ASM
13:2	98-4387	1	Decal-Protection, Ear
13:3	107-1864	1	Decal-Location, Manual
13:4	107-7666	1	Decal-Diesel
14	3258-166	2	Screw-PRH
15	106-7488-03	1	Hinge-Floorpan, LH
16	3296-59	2	Nut-Lock, NI
17	104-7048	1	Cap-Housing
18	321-4	2	Screw-HH

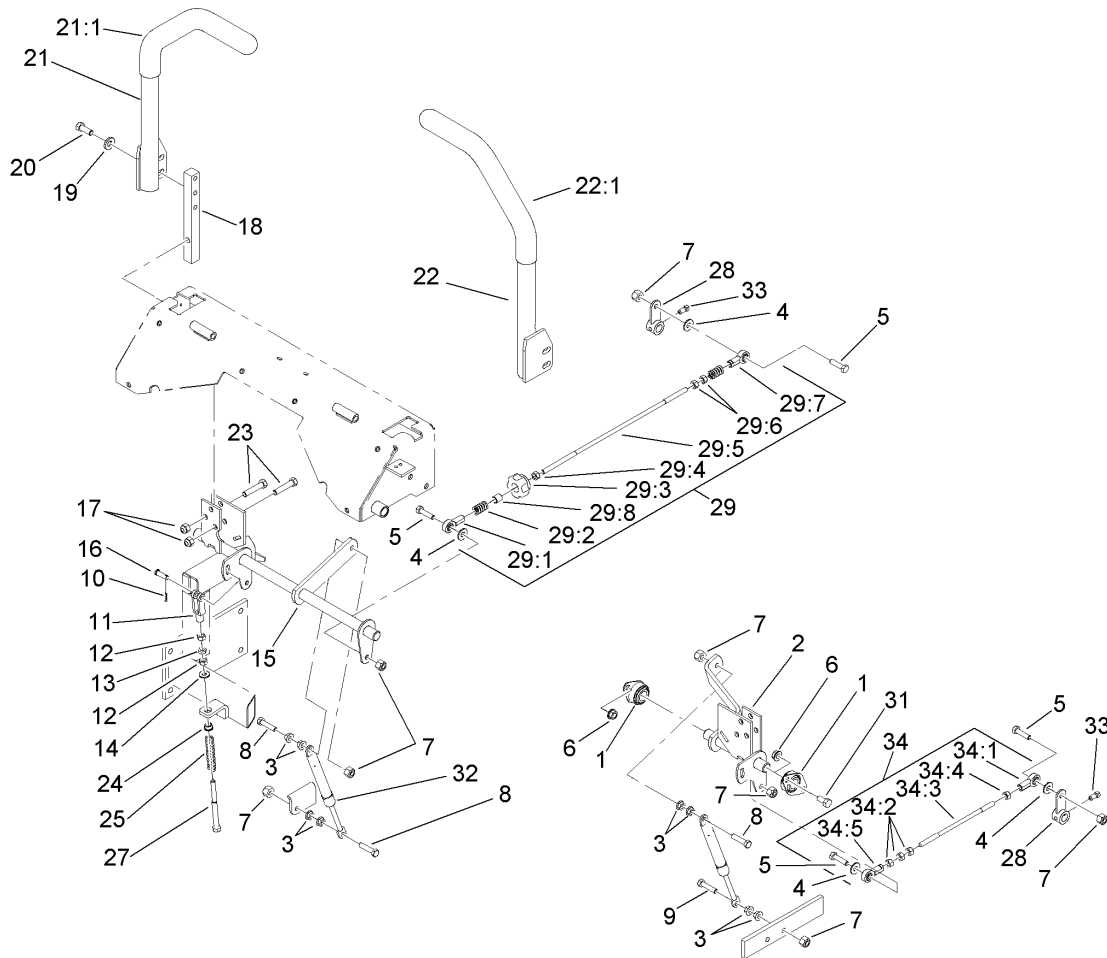
Ref	Part No.	Qty.	Description
19	106-7489-03	1	Hinge-Floorpan, RH
20	106-7498	1	Pocket



Roll-Over-Protection-System Assembly No. 110-0877

Ref	Part No.	Qty.	Description
②1		1	Upper Tube ASM
1:2	107-2101	1	Decal-ROPS
1:3	107-2102	1	Decal-Warning, Folding ROPS
2	32128-23	2	Nut-HF
4	3296-73	2	Nut-Lock, NI
6	325-13	2	Screw-HH
7	109-2365	2	Bumper-Rubber (W/Stud)
②8		1	Tube-Support, LH
①②9		1	Bag-Bolt, ROPS
9:3	323-6	8	Screw-HH
9:4	98-5975	8	Washer-Belleville
9:5	3290-357	8	Nut-HHF, Whiz
②10		1	Tube-Support, RH
11	3296-29	2	Nut-Lock, NI
12	107-3058	1	Catch-Latch, Seat
13	322-3	2	Screw-HH
14	110-0883	1	Retractable Seatbelt Kit
14:2	3212-4	2	Screw-HH
14:3	3296-7	2	Nut-Lock
15	110-0874	1	Seatframe ASM
15:2	3296-39	1	Nut-Lock, NI
15:3	107-0076	1	Spring-Torsion
15:4	107-0075	1	Bushing-Latch, Seat
15:5	107-3083	1	Latch ASM

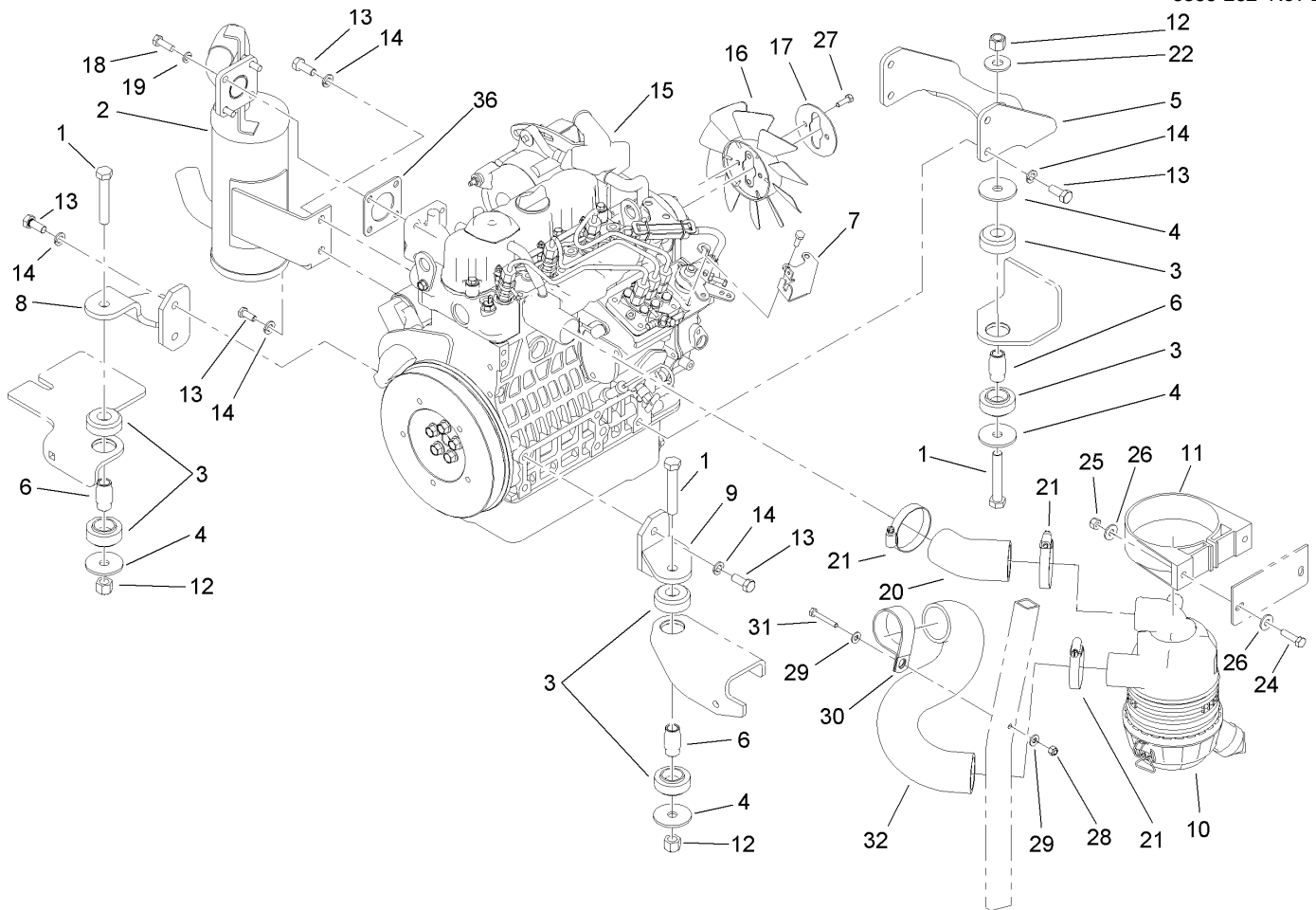
Ref	Part No.	Qty.	Description
15:6	3256-24	1	Washer-Flat
15:7	323-20	1	Screw-HH
15:8	103-4434	1	Grip-Lever
15:9	3296-39	2	Nut-Lock, NI
15:10	323-39	2	Screw-HH
16	103-4553	2	ROPS Fold Pin ASM



Hydro Control Assembly

Ref	Part No.	Qty.	Description
1	1-633102	4	Bearing-Flange, Side
2	107-3480	1	LH Motion Control ASM
3	32128-20	10	Nut-HF
4	3256-3	4	Washer-Flat
5	322-6	4	Screw-HH
6	3290-357	6	Nut-HHF, Whiz
7	3296-29	8	Nut-Lock, NI
8	1-403180	3	Screw-HH
9	322-41	1	Screw-HH
10	3272-5	2	Pin-Cotter
11	1-303105	2	Yoke-Adjustable
12	3219-2	4	Nut-Hex
13	3220-2	2	Nut-Jam
14	3256-2	2	Washer-Flat
15	107-3481	1	RH Motion Control ASM
16	1-808280	2	Pin-Clevis
17	3296-39	6	Nut-Lock, NI
18	103-0407	2	Arm-Shaft, Control
19	98-5975	4	Washer-Belleville
20	323-6	4	Screw-HH
21	108-7237	1	RH Lever ASM
21:1	106-9987	1	Grip-Control, Motion
22	108-7238	1	LH Lever ASM
22:1	106-9987	1	Grip-Control, Motion

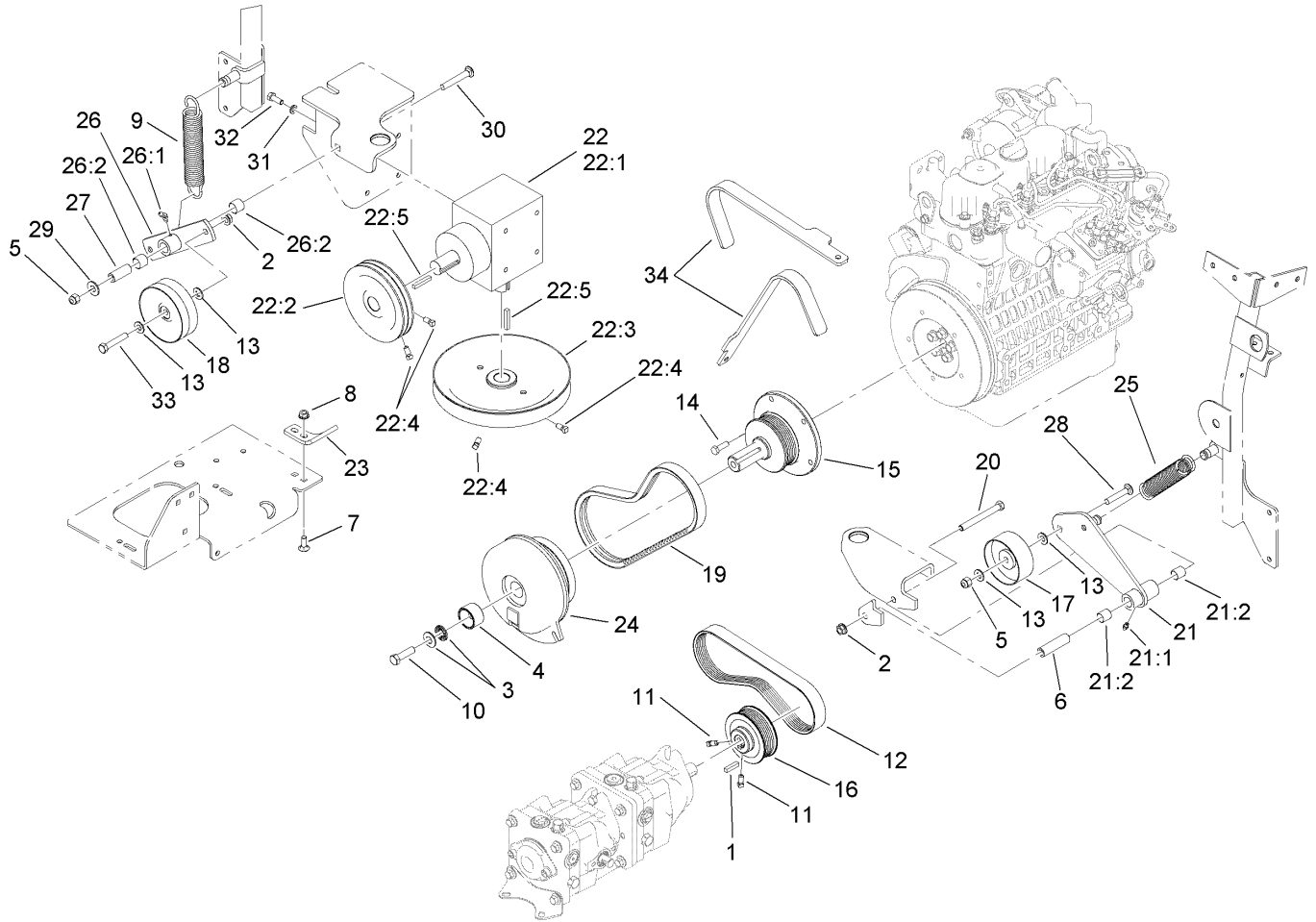
Ref	Part No.	Qty.	Description
23	323-9	6	Screw-HH
24	1-603735	2	Bushing-Flanged
25	1-603807	2	Spring-Return, Neutral
27	1-603737	2	Bolt-Return, Neutral
28	107-3470-03	2	Hydraulic Control Arm ASM
29	107-3474	1	RH Control Rod ASM
29:1	1-543017	1	Balljoint-RH
29:2	1-323245	2	Spring-Compression
29:3	103-3060	1	Knob-Tracking
29:4	3219-2	1	Nut-Hex
29:5	107-3472	1	Rod-Control, RH
29:6	1-804524	2	Nut
29:7	1-633152	1	Balljoint-LH
29:8	103-1166	1	Spacer-Tube, Pump Link
31	323-4	6	Screw-HH
32	103-4079	2	Damper-Control, Motion
33	1-803022	2	Screw-Set
34	107-3475	1	LH Control Rod ASM
34:1	1-543017	1	Balljoint-RH
34:2	3219-2	3	Nut-Hex
34:3	107-3473	1	Rod-Control, LH
34:4	1-804524	1	Nut
34:5	1-633152	1	Balljoint-LH



Engine, Exhaust and Air Intake Assembly

Ref	Part No.	Qty.	Description
1	325-12	3	Screw-HH
2	107-9909	1	Muffler
3	107-9914	3	Mount-Isolation
4	55-7960	4	Washer-Blade, Large
5	107-9917-03	1	Bracket-Engine Mount, Rear
6	110-0300	3	Spacer
7	108-5922	1	Bracket-Support, Throttle
8	107-9920-03	1	RH Engine Support ASM
9	107-9930-03	1	LH Engine Support ASM
10	93-2190	1	Air Cleaner ASM
11	95-5806	1	Bracket-Mounting
12	3296-23	3	Nut-Lock, NI
13	43-0090	10	Screw-HH
14	42-9600	10	Washer-Lock, Spring
15	107-9911	1	Engine-Kubota
16	110-0814	1	Fan
17	110-0816	1	Plate-Reatainer, Fan
18	33114-025	4	Screw-HH
19	3253-4	4	Washer-Lock
20	108-5906	1	Hose-Outlet, Air Cleaner
21	1-643009	3	Clamp-Hose
22	3256-26	1	Washer-Flat
24	322-6	2	Screw-HH
25	3296-29	2	Nut-Lock, NI

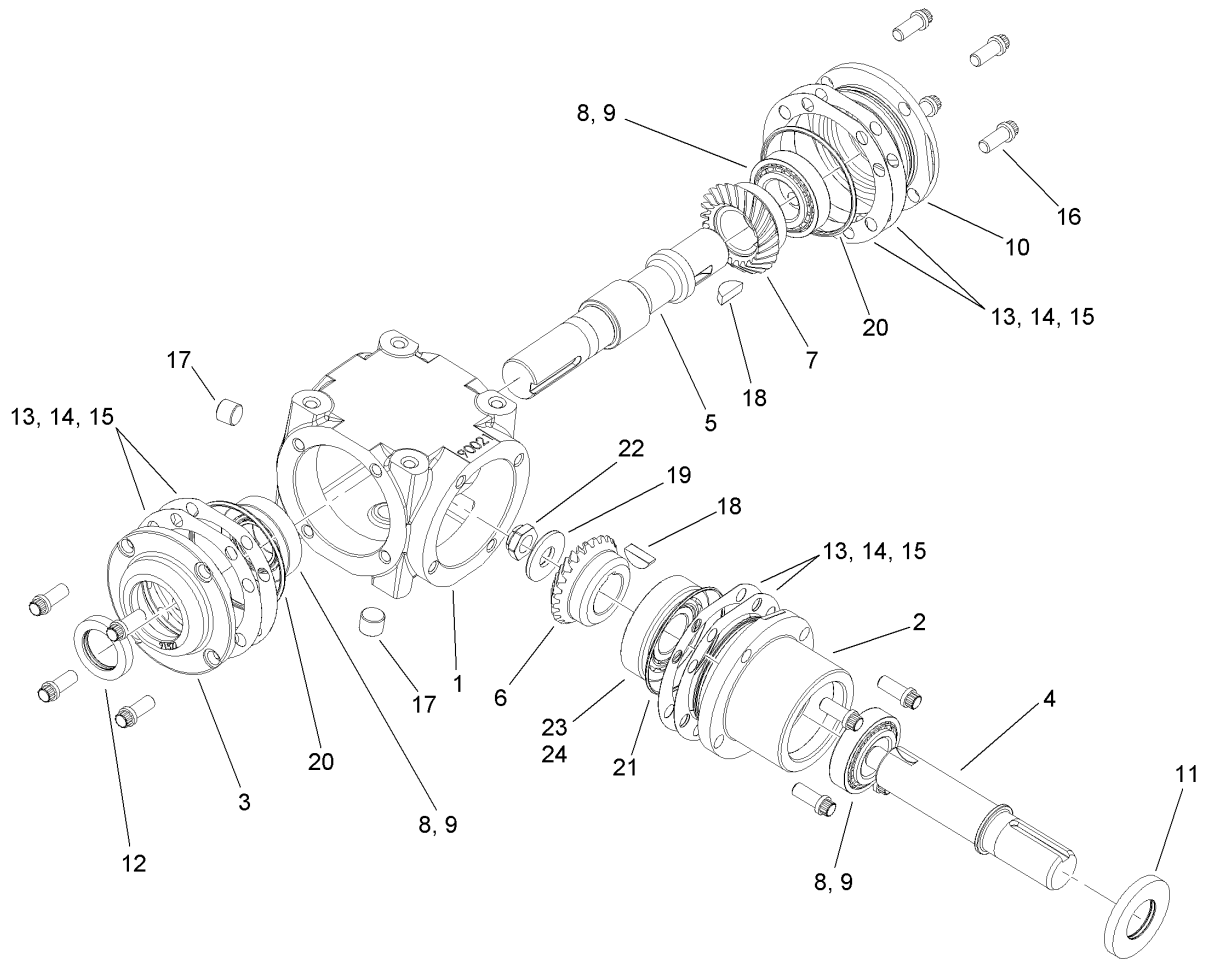
Ref	Part No.	Qty.	Description
26	3256-23	4	Washer-Flat
27	33113-020	2	Screw-HH
28	3296-42	1	Nut-Lock, NI
29	3256-22	2	Washer-Flat
30	1-643241	1	Clip-Loom
31	321-10	1	Screw-HH
32	108-5907	1	Hose-Inlet, Air Cleaner
36	99-8343	1	Gasket-Muffler



Hydro and Gearbox Drive Assembly

Ref	Part No.	Qty.	Description
1	5-0698	1	Key
2	3290-357	2	Nut-HHF, Whiz
3	1-603610	2	Washer-Spring
4	110-0854	1	Retainer-Clutch
5	3296-39	2	Nut-Lock, NI
6	1-603384	1	Bushing-Pivot, Idler
7	3230-16	2	Screw-CARR
8	32128-25	2	Nut-HF
9	110-0818	1	Spring-Extension
10	3212-6	1	Screw-HH
11	1-803022	2	Screw-Set
12	107-9910	1	Belt-V
13	3256-24	4	Washer-Flat
14	33114-025	5	Screw-HH
15	108-5975	1	Shaft-Stub
16	108-5976	1	Pulley
17	108-5910	1	Pulley-Flat
18	110-0803	1	Pulley-Flat
19	110-0805	1	Belt-V
20	323-15	1	Screw-HH
21	108-5939	1	Pump Idler Arm ASM
21:1	302-5	1	Fitting-Grease
21:2	1-513034	2	Sleeve-Bearing
22		1	Gearbox ASM

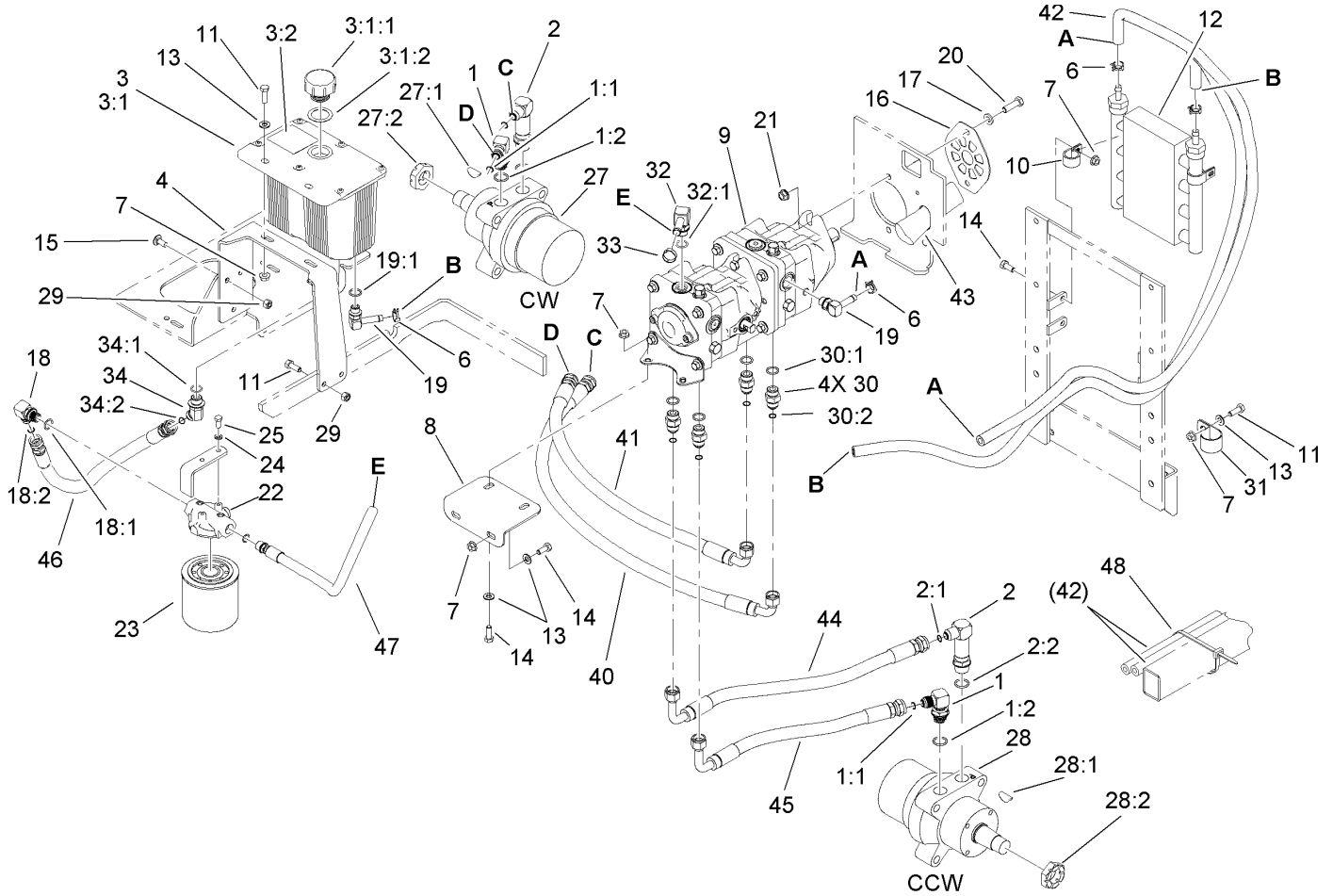
Ref	Part No.	Qty.	Description
22:1	107-9887	1	Gearbox-90 DEG
22:2	108-5912	1	Pulley
22:3	110-0892	1	Pulley
22:4	1-803022	4	Screw-Set
22:5	67-7490	2	Key-Square
23	110-0815-03	1	Bracket-Stop, Clutch
24	110-0862	1	Clutch-Electromagnetic
25	108-5985	1	Spring-Extension
26	108-5946	1	Gearbox Idler Arm ASM
26:1	1481	1	Fitting-Grease
26:2	103-4681	2	Sleeve-Bearing
27	1-603044	1	Bushing
28	3231-6	1	Screw-CARR
29	3256-4	1	Washer-Flat
30	3231-31	1	Screw-CARR
31	3253-4	4	Washer-Lock
32	322-4	4	Screw-HH
33	323-10	1	Screw-HH
34	110-0876	1	Tool-Alignment, Pulley



Gearbox Assembly No. 107-9887

Ref	Part No.	Qty.	Description
1	110-0843	1	Case
2	110-0853	1	Housing-Pinion
3	100-4566	1	Cap-End, Open
4	110-0844	1	Shaft-Pinion
5	110-0845	1	Shaft-Cross
6	110-0847	1	Gear-Shaft, Cross
7	110-0846	1	Gear-Pinion
8	110-0848	3	Bearing-Cup
9	110-0849	3	Bearing-Cone
10	100-4574	1	Cap-End, Closed
11	100-4575	1	Seal
12	110-0850	1	Seal-Shaft, Cross
13	100-4591	1	Shim-Brown, .010In
14	100-4592	1	Shim-Blue, .005In
15	100-4593	1	Shim-Green, .003In
16	100-4578	12	Screw
17	100-4579	2	Plug
18	3257-33	2	Key-Woodruff
19	100-4581	1	Washer
20	100-4582	2	O-Ring
21	110-0851	1	O-Ring
22	110-0852	1	Nut Lock
23	100-5817	1	Bearing-Cup
24	100-5816	1	Bearing-Cone

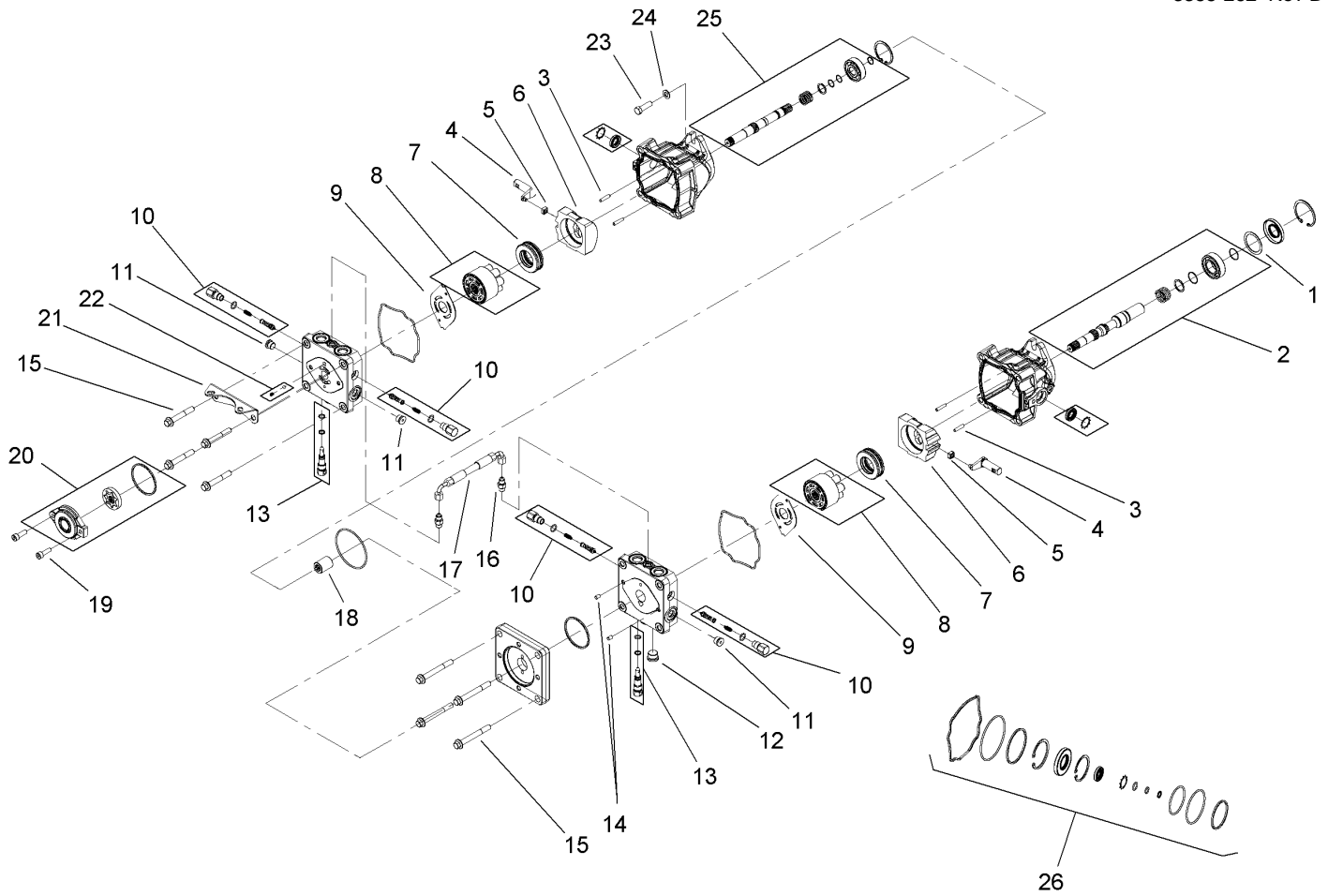
--	--	--	--



Hydraulic Tank, Motor and Pump Assembly

Ref	Part No.	Qty.	Description
1	1-633605	2	Fitting-HYD, 90 DEG
1:1	1-603992	1	O-Ring
1:2	237-80	1	O-Ring
2	108-5323	2	Fitting-Elbow-90
2:1	1-603992	1	O-Ring
2:2	237-80	1	O-Ring
3	108-5315	1	Hydraulic Tank ASM
3:1		1	Tank-Hydraulic
3:1:1	103-1948	1	Cap-Reservoir, HYD
3:1:2	103-1949	1	Gasket-Cap
3:2	1-523552	1	Decal-Tank, HYD
4	108-5352-03	1	Bracket-Tank, Hydraulic
6	103-1988	4	Clamp-Hose
7	32128-20	11	Nut-HF
8	107-3462-03	1	Bracket-Pump, Front
9	107-9885	1	Tandem Pump ASM
10	110-0824	4	R-Clamp
11	322-5	4	Screw-HH
12	110-0812	1	Cooler-Oil, Hydro
13	3256-23	6	Washer-Flat
14	322-3	8	Screw-HH
15	3230-23	3	Screw-CARR
16	108-5367-03	1	Plate-Shield, Pump
17	3256-24	2	Washer-Flat

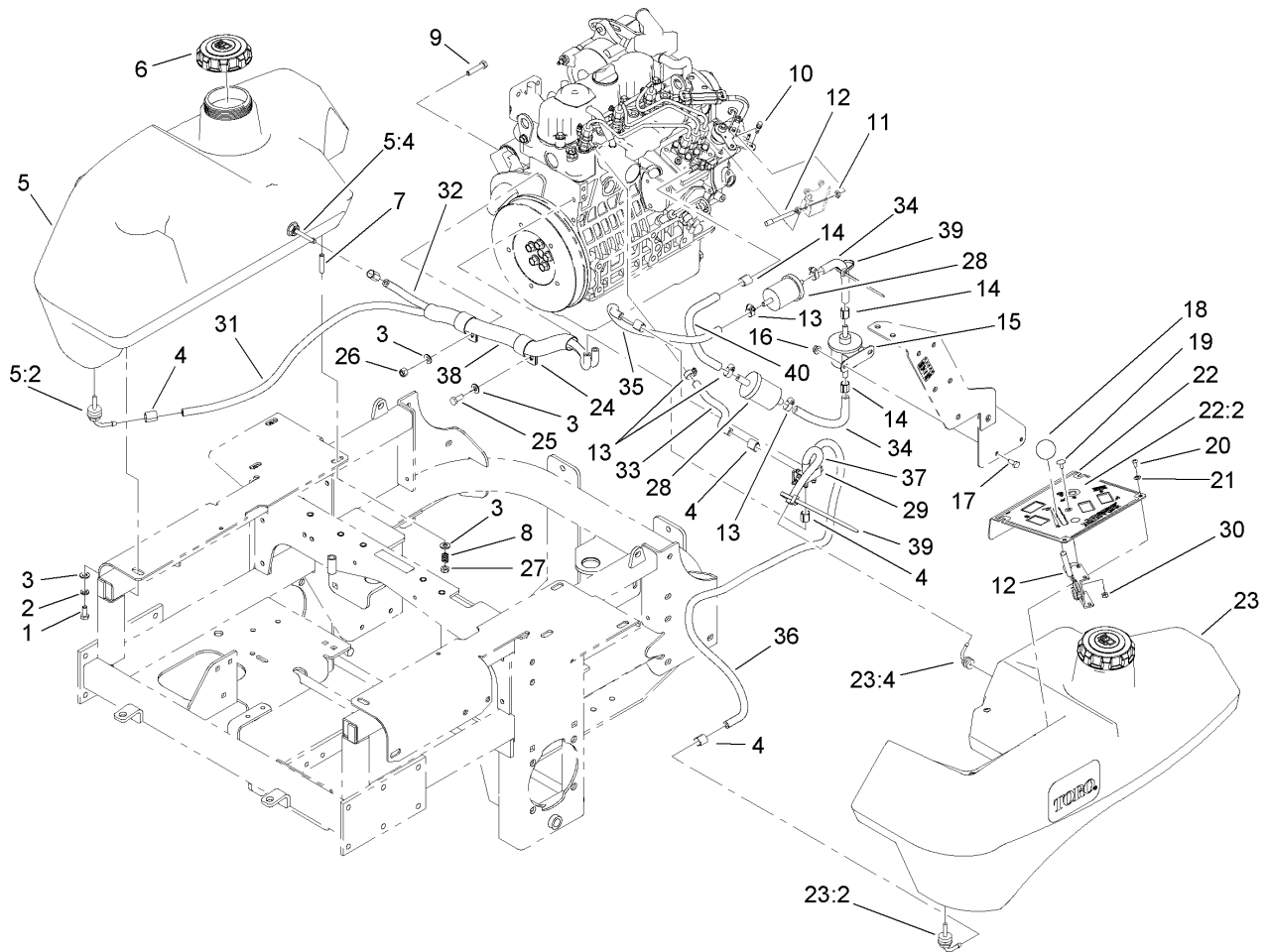
Ref	Part No.	Qty.	Description
18	103-2153	1	Fitting-90 DEG
18:1	1-603920	1	O-Ring
18:2	1-603992	1	O-Ring
19	100-4887	2	Fitting-Barb
19:1	237-42	1	O-Ring
20	323-8	2	Screw-HH
21	3290-357	2	Nut-HHF, Whiz
22	86-9080	1	Head-Filter
23	67-8110	1	Cartridge-Filter, Oil
24	1-805004	2	Washer-Lock
25	321-3	2	Screw-HH
27	107-9886	1	Motor-Wheel, Cw
27:1	3257-42	1	Key-Woodruff
27:2	1-809036	1	Nut-HH
28	108-5917	1	Motor-Wheel, Ccw
28:1	3257-42	1	Key-Woodruff
28:2	1-809036	1	Nut-HH
29	3296-29	4	Nut-Lock, NI
30	1-603990	4	Fitting-Straight
30:1	1-603920	1	O-Ring
30:2	1-603992	1	O-Ring
31	2412-82	1	Clamp
32	108-5316	1	Fitting-Elbow, 90 DEG
32:1	237-79	1	O-Ring



Tandem Pump Assembly No. 107-9885

Ref	Part No.	Qty.	Description
1	112-4168	1	Spacer
2	112-4151	1	Input Pump Shaft Kit
3	106-8753	4	Pin-Headless, Straight
4	112-4152	2	Arm-Trunnion
5	94-1910	2	Guide-Slot
6	112-4153	2	Swashplate
7	112-4154	2	Bearing-Thrust
8	108-2112	2	Cylinder Block Kit
9	108-6801	2	Plate-Valve
10	112-4155	4	Shock Valve Kit
11	104-2189	3	Plug-Thread, Straight
12	112-4156	1	Plug-Steel
13	106-8759	2	Bypass Valve Kit
14	104-2170	2	Pin
15	112-4157	8	Bolt
16	112-4158	2	Fitting-Straight
17	112-4159	1	Hose ASM
18	112-4160	1	Coupling
19	112-4161	2	Bolt
20	112-4162	1	Charge Pump Kit
21	112-4163	1	Bracket-Support, Pump
22	112-4164	1	Charge Relief Kit
23	112-4165	2	Bolt-HSH
24	112-4166	2	Washer

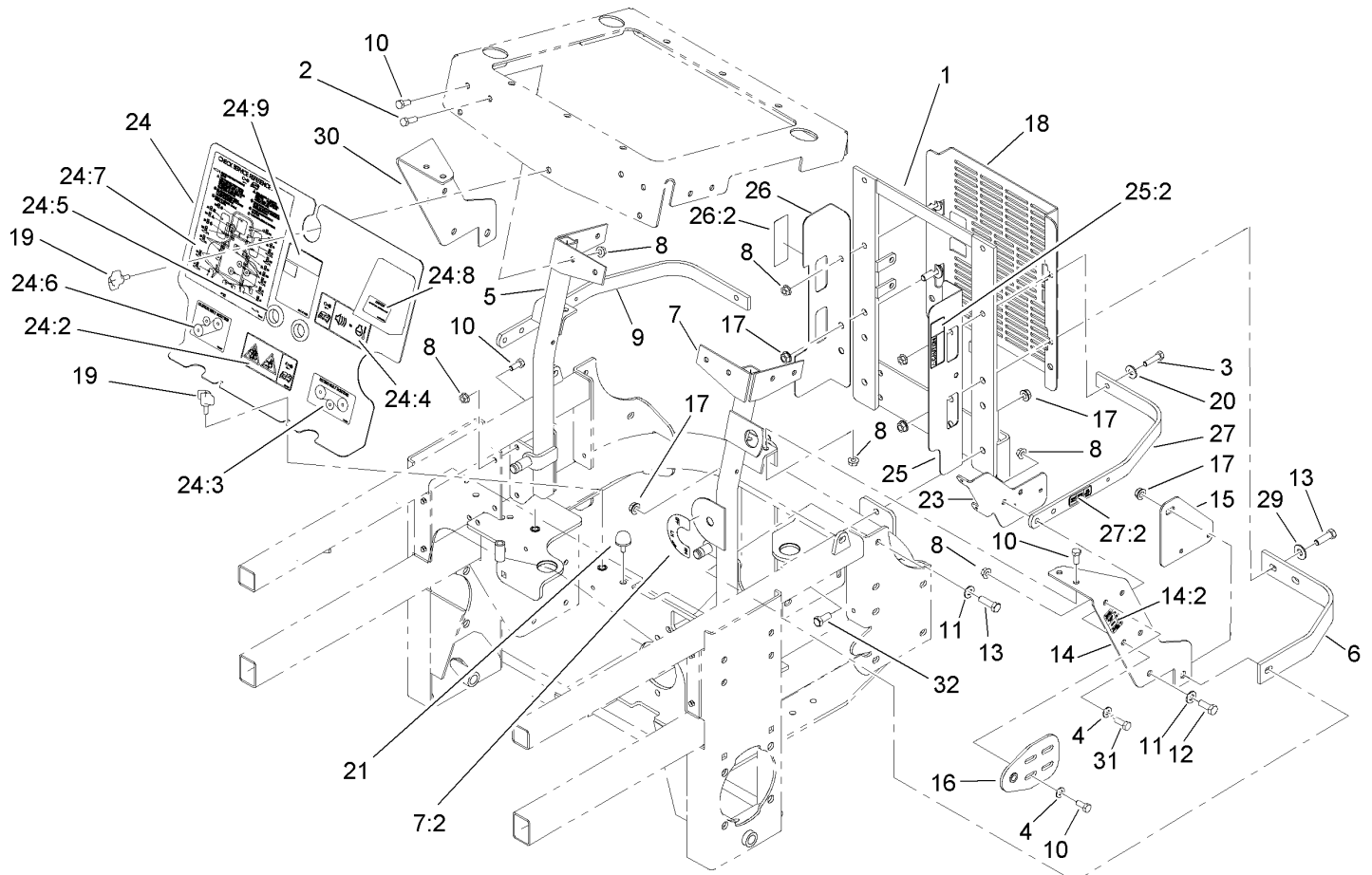
Ref	Part No.	Qty.	Description
25	112-4167	1	Second Pump Shaft Kit
26	112-4150	1	Overhaul Seal Kit



Throttle, Control Panel and Fuel Tank Assembly

Ref	Part No.	Qty.	Description
1	322-3	2	Screw-HH
2	1-805005	2	Washer-Lock
3	3256-23	10	Washer-Flat
4	1-643293	10	Clamp-Hose, Fuel
5	108-5361	1	RH Fuel Tank ASM
5:2	103-2605	1	Fitting-Fuel, Bulkhead
5:4	103-2615	1	Fitting-Fuel, Bulkhead
6	109-0347	2	Cap-Fuel, Diesel
7	1-633023	6	Stud
8	1-633349	6	Spring-Tank, Fuel
9	322-7	1	Screw-HH
10	108-5928	1	Swivel-Stop, Cable
11	3220-1	2	Nut-Jam
12	108-5927	1	Cable-Control, Throttle
13	2412-108	5	Clamp-Worm
14	1-643277	3	Clamp-Hose, Fuel
15	107-0122	1	Pump-Fuel, Electric
16	32128-33	2	Nut-HF
17	321-3	2	Screw-HH
18	1-603175	1	Knob-Ball
19	1-807513	2	Bolt-CARR
20	3251-1	4	Screw-PPH
21	1-303435	4	Washer-Spring
22	110-0810	1	Panel-Control

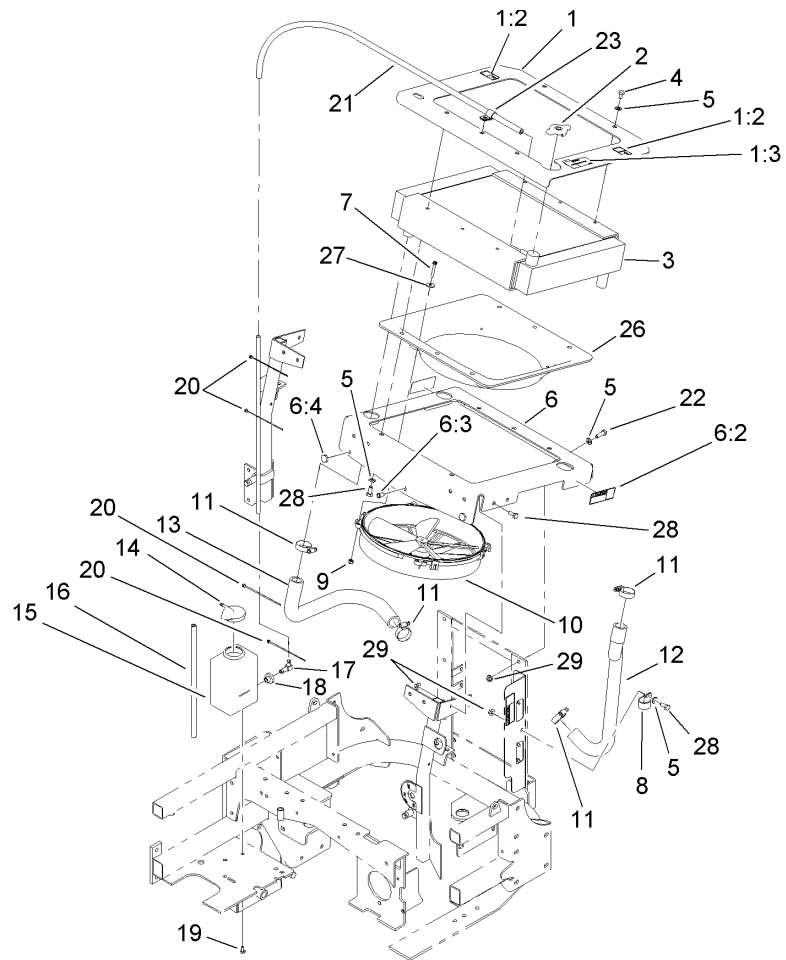
Ref	Part No.	Qty.	Description
22:2	110-0807	1	Decal-Panel, Control (Ce)
23	108-5362	1	LH Fuel Tank ASM
23:2	103-2605	1	Fitting-Fuel, Bulkhead
23:4	103-2615	1	Fitting-Fuel, Bulkhead
24	1-643312	2	Clip-Loom
25	33114-020	1	Screw-HH
26	3296-29	1	Nut-Lock, NI
27	3296-47	6	Nut-Lock, NI
28	98-7612	2	Filter-Fuel
29	1-643234	1	Valve-Fuel, Dual Flow
30	3296-2	2	Nut-Lock
31	108-5376	1	Hose-Fuel
32	1-543526	1	Hose-Fuel
33	80-7360	1	Hose-Fuel
34	110-0875	2	Hose-Fuel
35	103-2944	1	Hose-Fuel
36	63-7722	1	Hose-Fuel
37	106-8720	1	Hose-Fuel
38	108-5377	1	Sleeve-Fabric
39	1-303335	2	Tie-Plastic
40	103-1335	1	Hose-Fuel



Engine Housing Assembly

Ref	Part No.	Qty.	Description
1	107-9934-03	1	Support-Radiator, Rear
2	322-5	2	Screw-HH
3	322-6	2	Screw-HH
4	3256-23	8	Washer-Flat
5	107-9941-03	1	RH Radiator Brace ASM
6	103-7623-03	2	Strap-Guard
7	110-3870	1	LH Radiator Brace ASM
7:2	107-2114	1	Decal-Valve, Fuel
8	32128-20	22	Nut-HF
9	1-633897-03	1	Rib-Top
10	322-3	14	Screw-HH
11	3256-24	4	Washer-Flat
12	323-6	2	Screw-HH
13	323-7	4	Screw-HH
14	110-0889	1	Bracket-Support, LH
14:2	110-0306	1	Decal-Fuse
15	108-5349-03	1	Bracket-Pump, Fuel
16	108-5345-03	2	Hood Pivot Plate ASM
17	3290-357	8	Nut-HHF, Whiz
18	110-0829-03	1	Shield-Cooler
19	98-8332	3	Knob
20	3256-3	2	Washer-Flat
21	109-2365	2	Bumper-Rubber (W/Stud)
23	107-8081-03	1	Bracket-Relay/Fuse

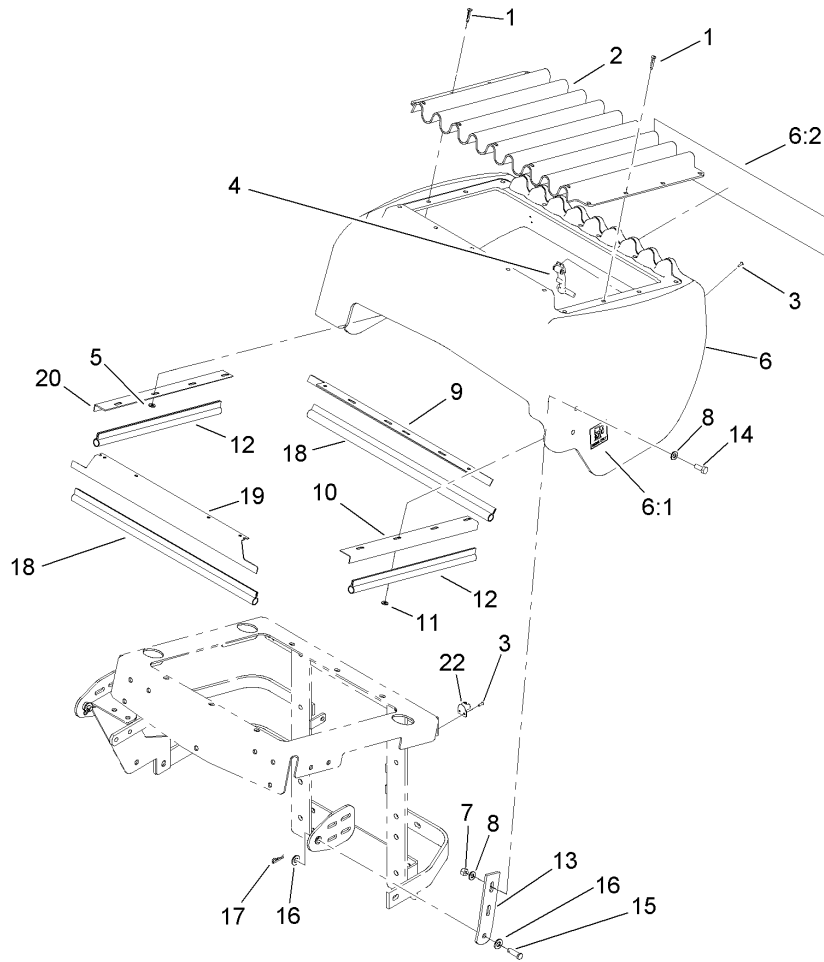
Ref	Part No.	Qty.	Description
24	108-5936	1	Front Engine Shield ASM
24:2	110-3853	1	Decal-Danger, Rotating Devices
24:3	108-5955	1	Decal-Routing, Hydro Belt
24:4	110-3852	1	Decal-Buzzer, Warning
24:5	100-3815	2	Grommet-Rubber
24:6	108-5957	1	Decal-Routing, Clutch Belt
24:7	110-3851	1	Decal-Check, Service
24:8	110-0806	1	Decal-Caution
24:9	104-2449	1	Decal-Coolant
25	110-0878	1	LH Fan Guard ASM
25:2	1-643253	1	Decal-Fan, Radiator
26	110-0887	1	Guard-Fan, RH
26:2	1-643253	1	Decal-Fan, Radiator
27	110-0890	1	Strap-Top
27:2	110-0305	1	Decal-Relay
29	3256-4	2	Washer-Flat
30	108-5339-03	1	Bracket-Support, RH
31	322-4	4	Screw-HH
32	323-5	2	Screw-HH



Cooling System Assembly

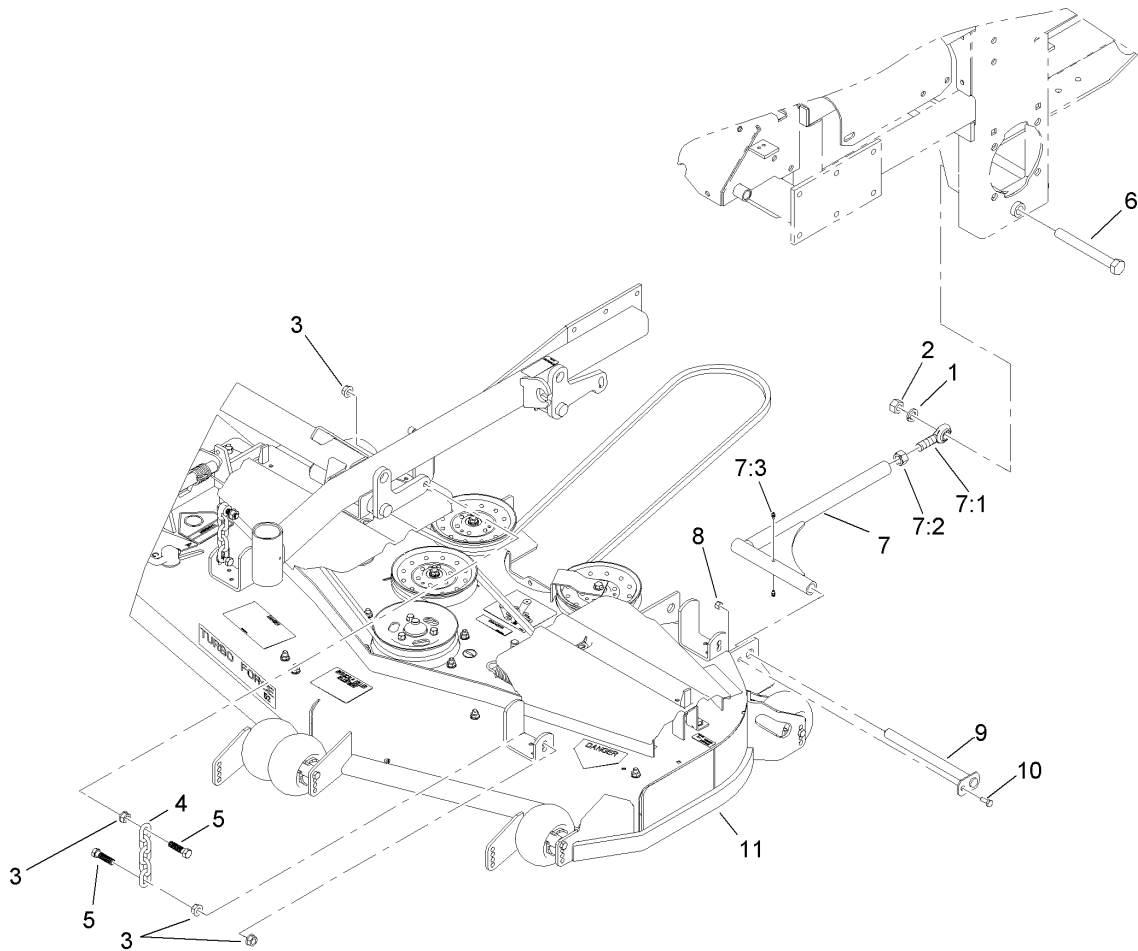
Ref	Part No.	Qty.	Description
1	108-5937	1	Top Radiator Plate ASM
1:2	65-2690	2	Decal-Surface, Hot
1:3	110-3842	1	Decal-Antifreeze
2	1-643161	1	Cap-Radiator
3	107-9932	1	Radiator
4	322-1	6	Screw-HH
5	3256-23	16	Washer-Flat
6	108-5938	1	Bottom Radiator Plate ASM
6:2	1-643253	2	Decal-Fan, Radiator
6:3	32148-6	1	Insert-Nut
6:4	1-513658	2	Bumper
7	108-5988	4	Screw
8	1-643312	1	Clip-Loom
9	1-804254	4	Nut
10	1-633831	1	Fan
11	1-633989	4	Clamp-Hose
12	108-5905	1	Hose-Inlet, Engine
13	108-5904	1	Hose-Outlet, Engine
14	1-643164	1	Cap-Tank, Overflow
15	1-643163	1	Tank-Overflow
16	1-603954	1	Hose-Line, Fuel
17	1-643259	1	Fitting-Elbow
18	1-513645	1	Bushing-Valve, Fuel
19	321-2	2	Screw-HH

Ref	Part No.	Qty.	Description
20	1-303287	4	Tie-Plastic
21	103-1428	1	Hose-Overflow
22	322-5	3	Screw-HH
23	1-603727	1	Clip-Loom
26	108-5971	1	Shroud-Cooling, Engine
27	3256-67	4	Washer-Flat
28	322-3	11	Screw-HH
29	32128-20	4	Nut-HF



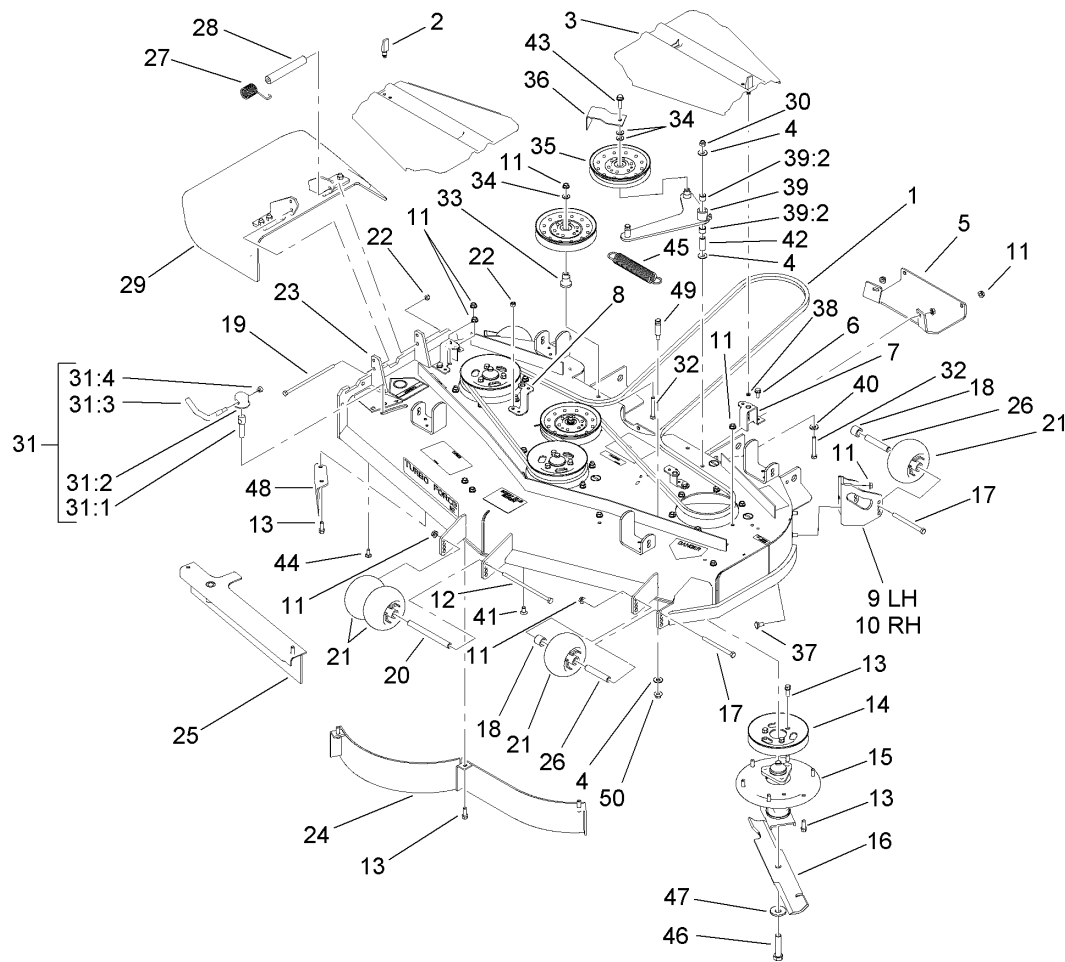
Hood Assembly

Ref	Part No.	Qty.	Description
1	1-803072	17	Rivet
2	1-633864-03	1	Screen-Radiator
3	923786	8	Rivet
4	1-643188	2	Latch-Rubber
5	1-303435	4	Washer-Spring
6	107-9947	1	Hood ASM
6:1	103-1636	2	Decal-Fuel
6:2	107-7674	1	Decal
7	3296-29	4	Nut-Lock, NI
8	3256-23	8	Washer-Flat
9	1-643108-03	1	Angle-Radiator, Bottom
10	1-643105-03	1	Angle-Radiator, LH
11	3256-14	12	Washer-Flat
12	1-643186	2	Seal-Trim
13	108-5337-03	2	Plate-Hinge, Hood
14	322-4	4	Screw-HH
15	1-808285	2	Pin-Clevis
16	3256-24	4	Washer-Flat
17	1-806003	2	Pin-Hair
18	1-643187	2	Seal-Trim
19	1-643107-03	1	Angle-Radiator, Top
20	1-643106-03	1	Angle-Radiator, RH
22	1-643189	2	Keeper-Latch, Rubber



Deck Connection Assembly

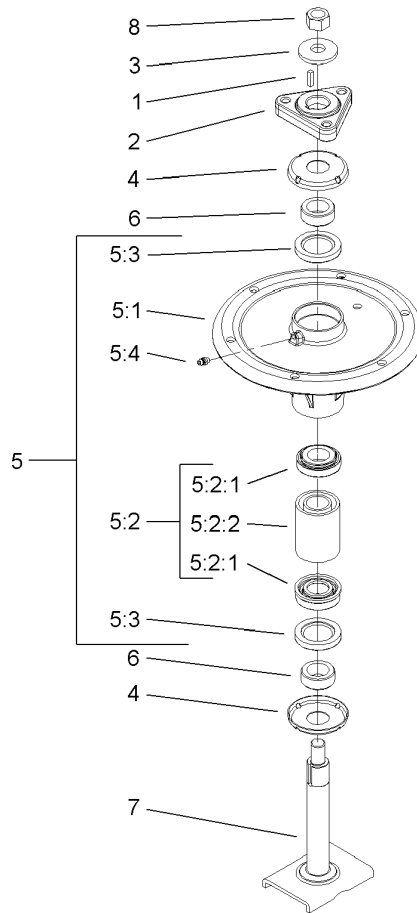
Ref	Part No.	Qty.	Description
1	3253-8	2	Washer-Lock
2	3217-11	2	Nut-Hex
3	32128-37	16	Nut-HF
4	1-633447	4	Chain-Lift, Deck
5	103-1898	8	Screw-HH
6	327-28	2	Screw-HH
7	108-5969	2	Strut ASM
7:1	1-633029	1	Balljoint-Spherical
7:2	3219-6	1	Nut-Hex
7:3	109-1380	2	Fitting-Grease
8	3296-29	2	Nut-Lock, NI
9	1-632199-01	2	Pin-Strut
10	322-3	2	Screw-HH
11		1	Deck ASM



Deck Assembly

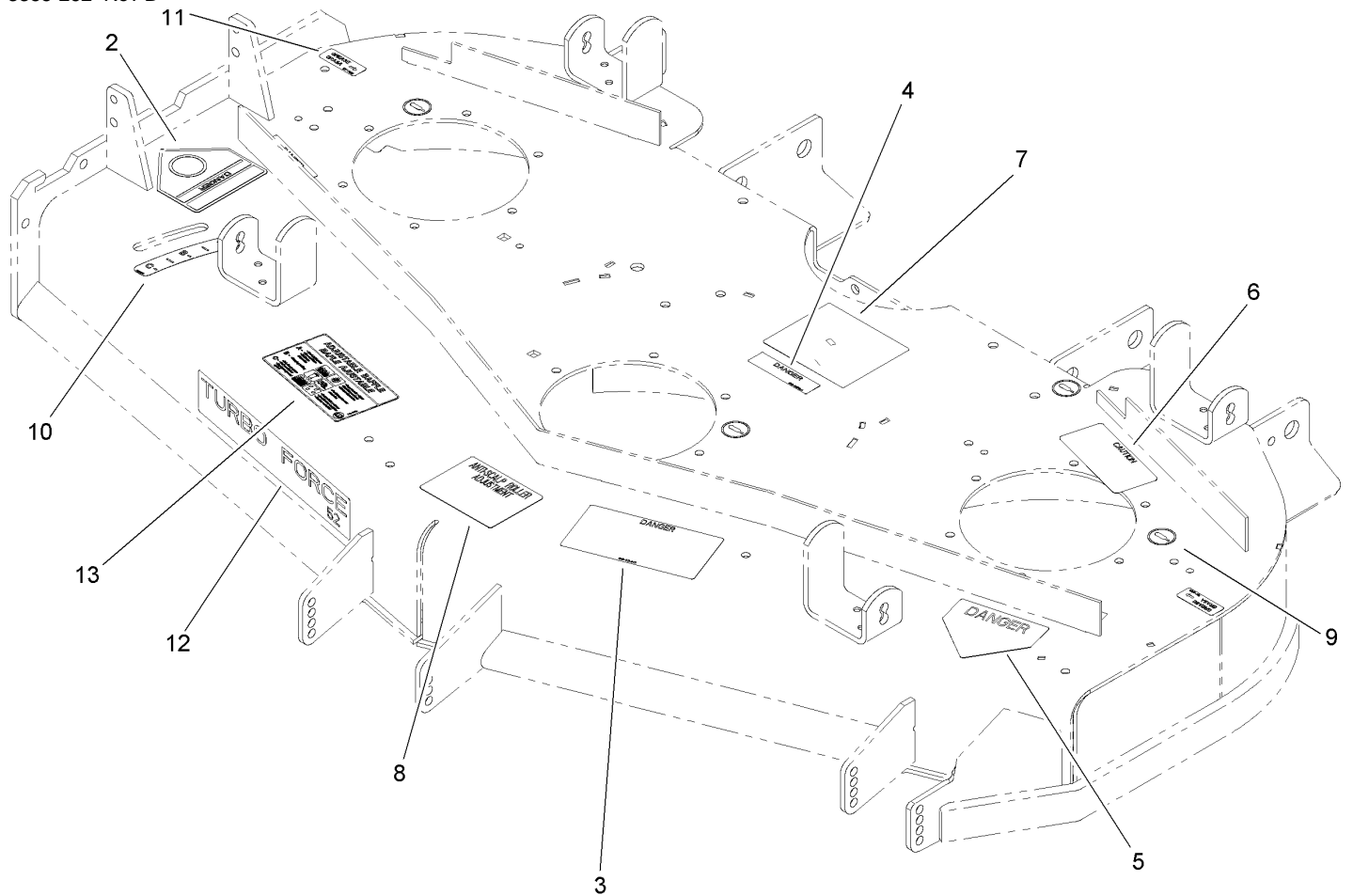
Ref	Part No.	Qty.	Description
1	108-5951	1	Belt-V
2	74-5950	2	Latch-Swell
3	107-8536	2	Cover-Belt
4	3256-4	3	Washer-Flat
5	106-7358-01	1	Plate-Skid
6	32144-70	3	Screw-HWHTF
7	108-4121-01	2	Bracket-Cover
8	108-2177-01	2	Bracket-Cover, Tall
9	106-7354-01	1	Plate-Roller, LH
10	106-7355-01	1	Plate-Roller, RH
11	3290-357	41	Nut-HHF, Whiz
12	323-28	1	Screw-HH
13	92-1624	33	Screw
14	105-7735	3	Pulley
15	106-3217	3	Spindle ASM
16	105-7781-03	3	Blade-Hi Flow, 18 Inch
17	323-23	3	Screw-HH
18	98-7913	3	Tube-Spacer
19	322-50	1	Screw-HH
20	98-5967	1	Spacer-Wheel
21	1-603299	5	Roller-Scalp, Anti
22	3296-29	2	Nut-Lock, NI
23	108-5965	1	Deck Decal ASM
24	105-7754-01	1	Baffle ASM

Ref	Part No.	Qty.	Description
25	105-7755-01	1	Baffle ASM
26	98-7912	3	Tube-Spanner
27	108-4052	1	Spring-Torsion
28	105-4622	1	Spacer
29	108-2792	1	Rubber Deflector ASM
30	3296-39	1	Nut-Lock, NI
31	107-1664	1	Lever ASM
31:1	106-3239	1	Screw-Lock
31:2	107-1644	1	Cap-Lock
31:3	106-3241	1	Lever-Lock
31:4	3296-29	1	Nut-Lock, NI
32	323-12	3	Screw-HH
33	106-3214	2	Mount-Pulley
34	3256-24	4	Washer-Flat
35	1-633109	3	Idler-Flat
36	108-7220-01	1	Guide-Belt
37	3231-1	10	Screw-CARR
38	99-3058	2	Washer
39	108-5949	1	Deck Idler Arm ASM
39:2	103-4681	2	Sleeve-Bearing
40	98-5975	1	Washer-Belleville
41	3231-21	1	Screw-CARR
42	1-603044	1	Bushing
43	3234-24	1	Screw-HHF



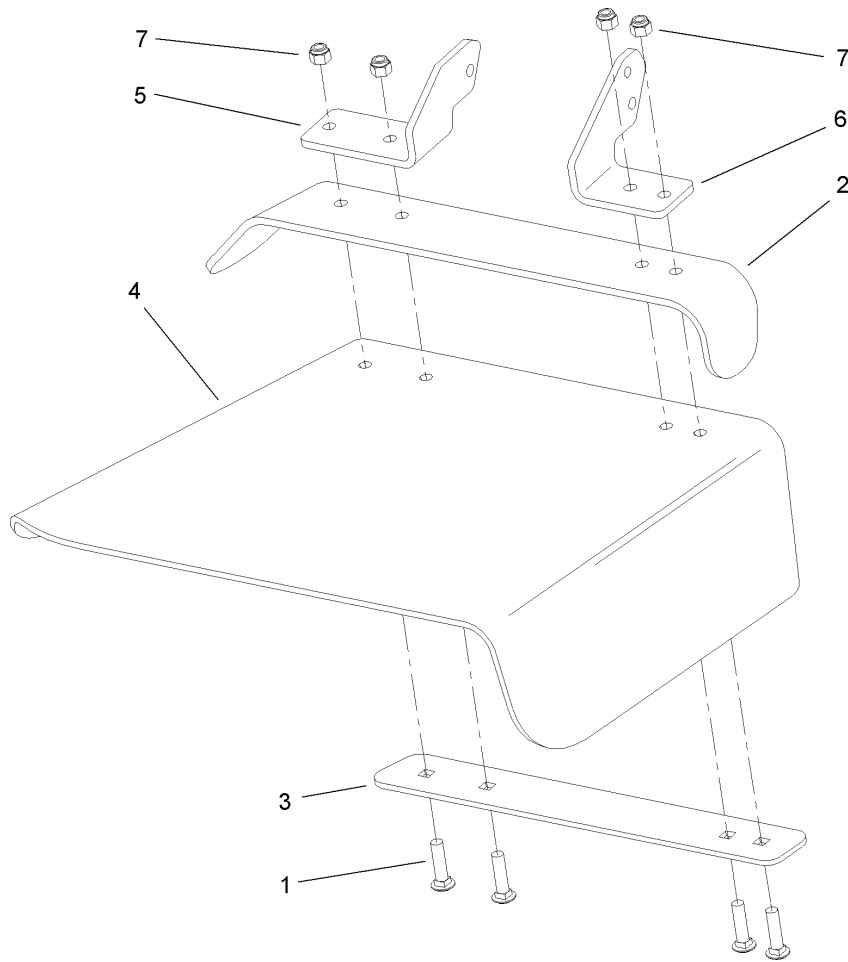
Spindle Assembly No. 106-3217

Ref	Part No.	Qty.	Description
1	10-8040	1	Key-Square
2	106-3277	1	Hub-Pulley
3	103-0865	1	Washer-Blade Bolt, Heavy
4	106-3204	2	Shield-Bearing
5		1	Spindle Bearing ASM
5:1	106-3211	1	Housing-Spindle
5:2	106-3207	1	Bearing ASM
5:2:1	27-0960	1	Bearing ASM
5:2:2	106-3206	1	Spacer (Matched Set)
5:3	253-133	2	Seal-Oil
5:4	302-5	1	Fitting-Grease
6	106-3218	2	Spacer-Seal
7	106-3233	1	Spindle Shaft ASM
8	3219-6	1	Nut-Hex



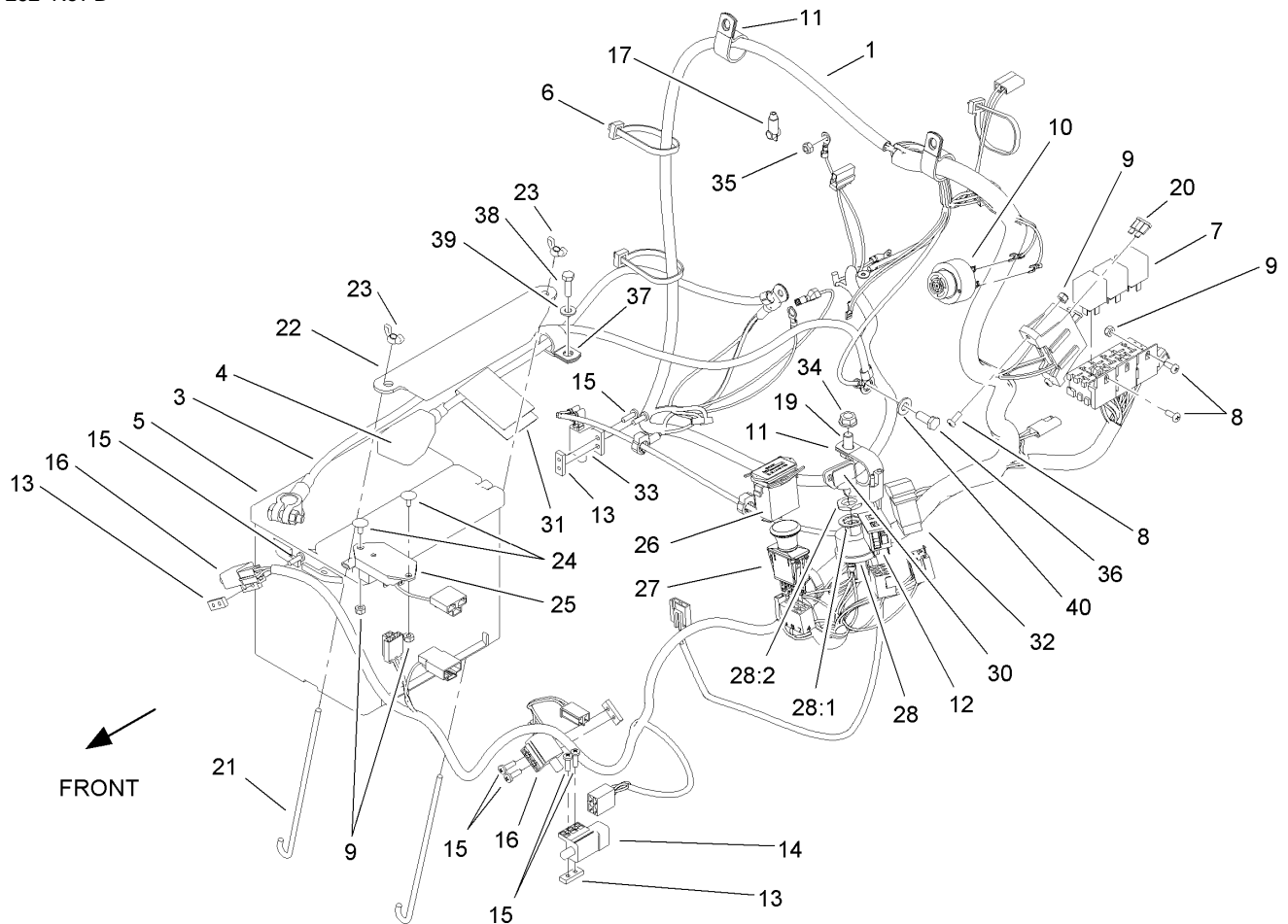
Deck Decal Assembly No. 108-5965

Ref	Part No.	Qty.	Description
2	54-9220	1	Decal-Danger
3	66-1340	1	Decal-Danger
4	98-5954	3	Decal-Cover, Missing
5	1-403005	1	Decal-Danger
6	68-8340	1	Decal-Torque
7	108-5981	1	Decal-Routing, Belt
8	105-7798	1	Decal-Scalp, Anti
9	58-6520	4	Decal-Grease
10	110-2067	1	Decal-Setting, Baffle
11	107-1613	2	Decal-Grease
12	107-1618	1	Decal
13	110-2068	1	Decal-Adjustment, Baffle



Rubber Deflector Assembly No. 108-2792

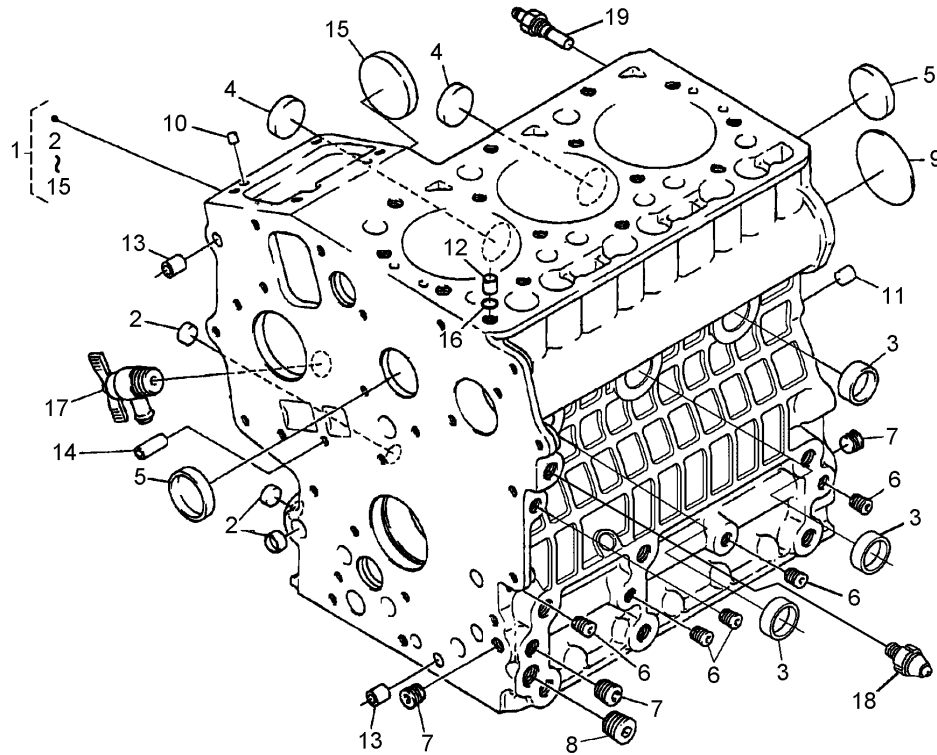
Ref	Part No.	Qty.	Description
1	3231-4	4	Screw-CARR
2	106-3246-01	1	Deflector
3	106-3248-03	1	Strap-Discharge
4	108-5029	1	Deflector-Rubber
5	108-4059-01	1	Plate-Hinge, Rear
6	106-3253-01	1	Plate-Hinge, Front
7	3296-39	4	Nut-Lock, NI



Electrical Assembly

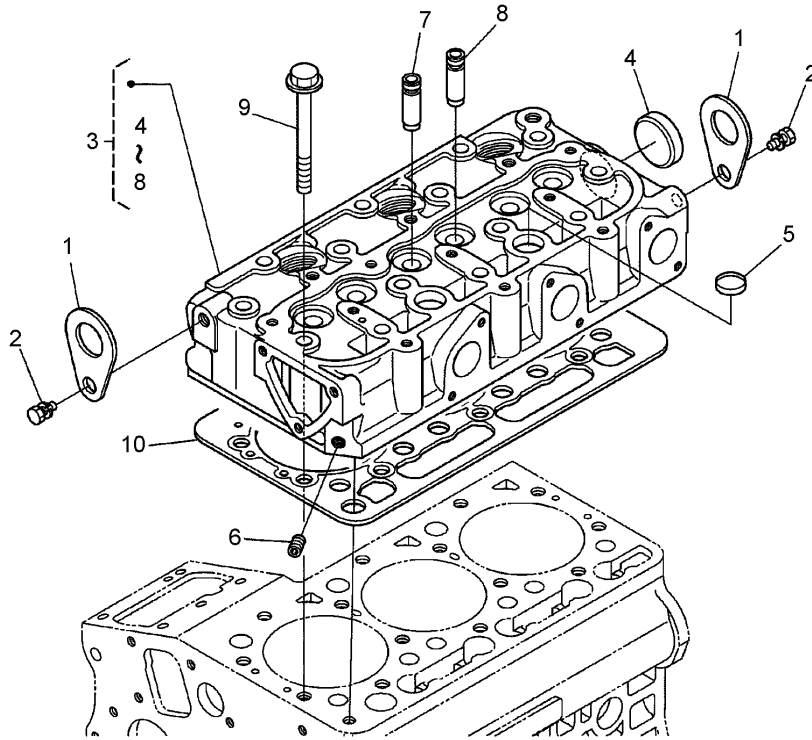
Ref	Part No.	Qty.	Description
1	108-5916	1	Harness-Electrical, Main
3	110-0303	1	Cable-Battery, Negative
4	110-0304	1	Cable-Battery, Positive
5	106-5187	1	Battery
6	1-303335	8	Tie-Plastic
7	1-643275	3	Relay
8	1-803071	4	Screw
9	3296-2	6	Nut-Lock
10	103-0205	1	Alarm-Tone, Dual
11	1-643312	3	Clip-Loom
12	100-8071	1	Lamp-Warning
13	1-633181	4	Plate-Tapped
14	1-633111	1	Switch
15	3290-500	8	Screw-PPH
16	1-513051	2	Switch-Open, Normally
17	1-643178	1	Cap-Insulator, Red
19	323-4	1	Screw-HH
20	109103	2	Fuse-30 Amp
21	103-1312	2	Bolt-Holddown
22	103-1311-03	1	Holddown-Battery
23	1-543792	2	Wingnut
24	1-807513	2	Bolt-CARR
25	103-5218	1	Module-Delay, Seat
26	1-513374	1	Meter-Hour

Ref	Part No.	Qty.	Description
27	103-5221	1	Switch-PTO
28	88-9830	1	Key Switch ASM
28:1	3254-5	1	Washer-Tooth
28:2	218-461	1	Nut-HH
30	63-8360	2	Key-Ignition
31	107-9309	1	Decal-Instructions, Charging
32	110-0811	1	Switch-Rocker
33	1-513152	1	Switch-Closed, Normally
34	3290-357	1	Nut-HHF, Whiz
36	33114-016	1	Screw-HH
35	33023-00	1	Nut-Lock
37	1-633396	1	Clip-Loom
38	321-5	1	Screw-HH
39	3256-22	1	Washer-Flat
40	3256-23	1	Washer-Flat



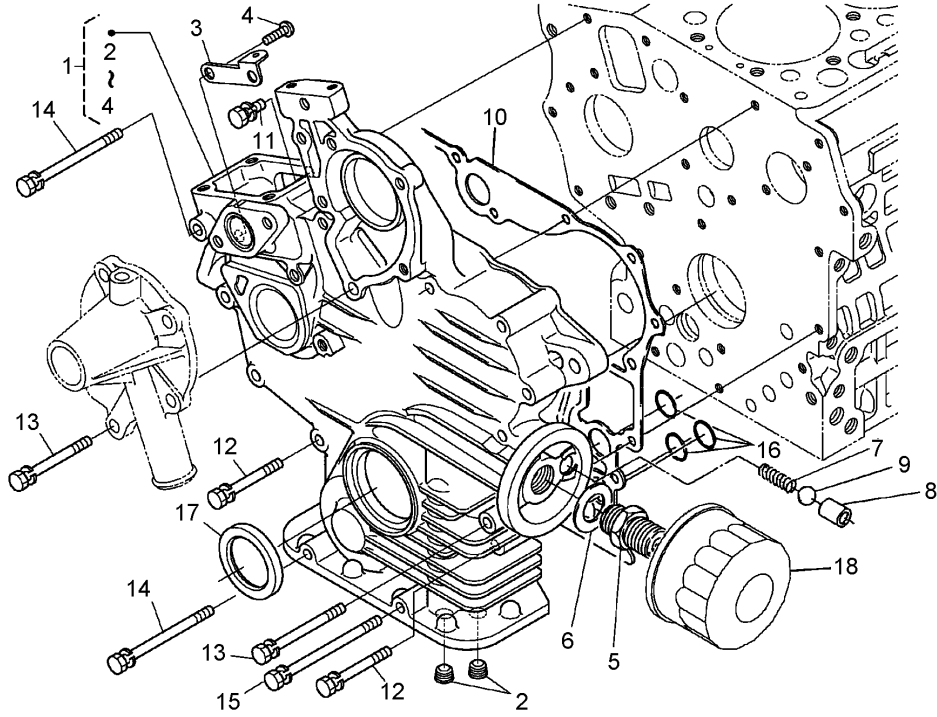
Crankcase Assembly

Ref	Part No.	Qty.	Description
1	110-3701	1	Crankcase
2	100-2019	3	Cap-Sealing
3	100-2020	3	Cap-Sealing
4	110-3702	2	Cap-Sealing
5	98-9398	2	Cap-Sealing
6	98-7540	5	Plug
7	98-7487	3	Plug
8	98-7488	1	Plug
9	100-1851	1	Plug
10	98-9375	2	Pin-Straight
11	98-9377	2	Pin-Straight
12	98-7506	1	Pin-Pipe
13	98-9387	2	Pin-Pipe
14	100-2051	2	Pin-Pipe
15	100-1991	1	Cover-Fuel, Camshaft
16	98-7509	1	O-Ring
17	98-9436	1	Drain Cock ASM
18	100-2230	1	Switch-Oil
19	99-3582	1	Thermoswitch



Cylinder Head Assembly

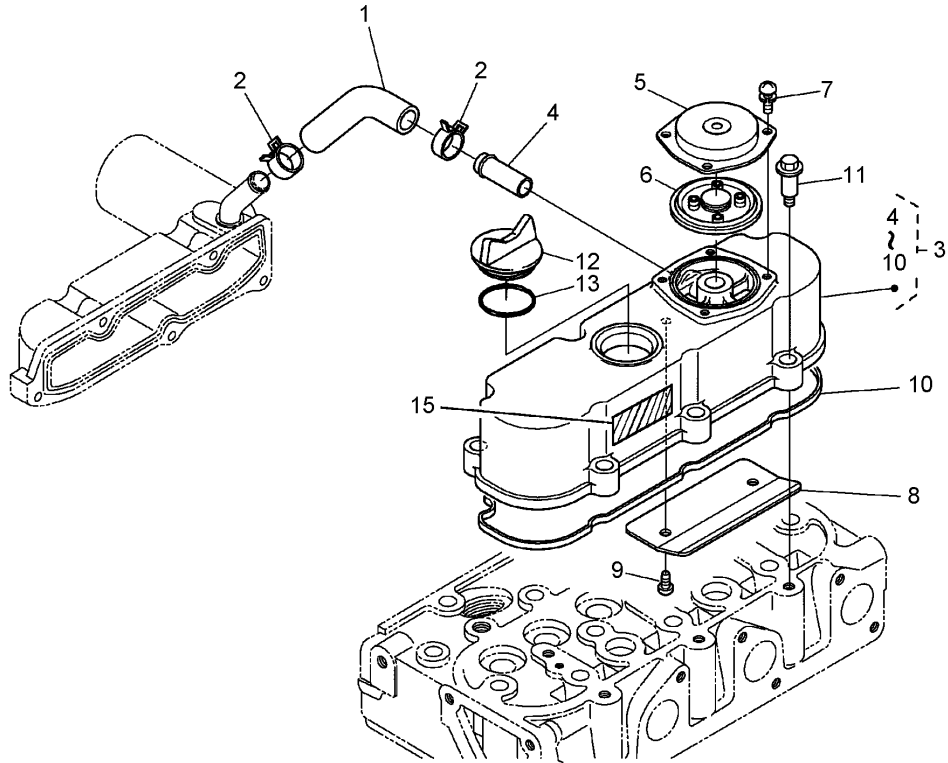
Ref	Part No.	Qty.	Description				
1	98-7531	2	Hook-Engine				
2	98-7526	2	Bolt				
3	110-3705	1	Head-Cylinder				
4	98-9395	1	Cap-Sealing				
5	98-9389	2	Cap-Sealing				
6	98-7540	1	Plug				
7	100-1882	3	Guide-Valve, Inlet				
8	100-1883	3	Guide-Valve, Exhaust				
9	100-1820	14	Bolt-Head, Cylinder				
10	110-3706	1	Gasket-Head, Cylinder				



Gear Case and Oil Filter Cartridge Assembly

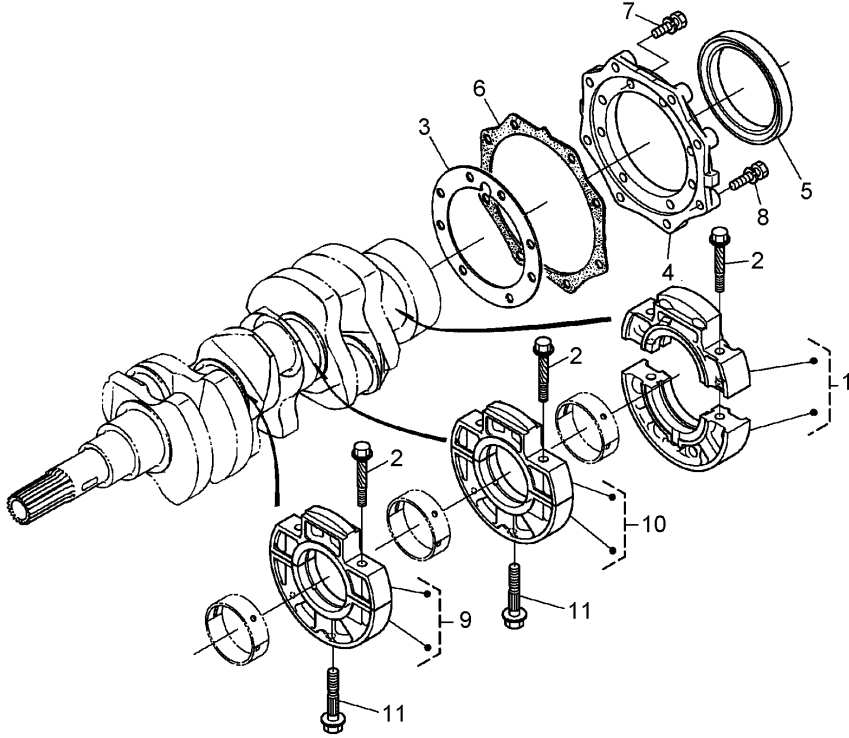
Ref	Part No.	Qty.	Description
1	110-3707	1	Case-Gear
2	98-7488	2	Plug
3	110-3708	1	Stay-Spring, Start
4	100-2040	2	Screw
5	98-9388	1	Joint-Pipe
6	100-1926	1	Washer-Plain
7	100-2004	1	Spring
8	100-1894	1	Seat-Valve
9	100-1792	1	Ball
10	110-3709	1	Gasket-Gearcase
11	98-7605	1	Bolt
12	98-9355	9	Bolt
13	100-1922	2	Bolt
14	98-9357	2	Bolt
15	110-3710	1	Bolt
16	100-1785	3	O-Ring
17	100-1971	1	Seal-Oil
18	100-1892	1	Cartridge-Filter, Oil

--	--	--	--



Head Cover Assembly

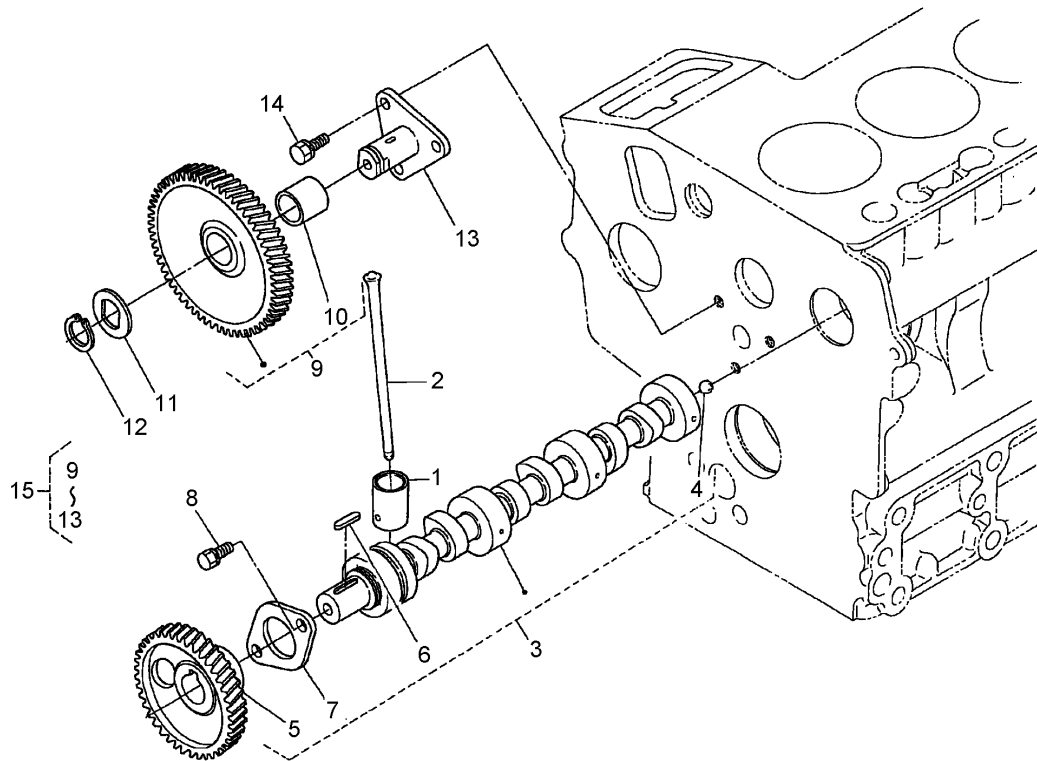
Ref	Part No.	Qty.	Description
1	110-3711	1	Tube-Breather
2	110-3712	2	Clamp-Hose
3	110-3713	1	Cylinder Head Cover ASM
4	98-9580	1	Pipe-Return, Water
5	110-3714	1	Cover-Breather
6	110-3715	1	Valve-Breather
7	98-9364	4	Screw (W/Washer)
8	110-3716	1	Shield-Breather
9	100-2040	2	Screw
10	110-3717	1	Gasket-Cover, Head
11	108-7063	6	Bolt
12	110-3718	1	Plug-Filler, Oil
13	99-3446	1	O-Ring
15	110-3843	1	Label-Instruction



Main Bearing Case Assembly

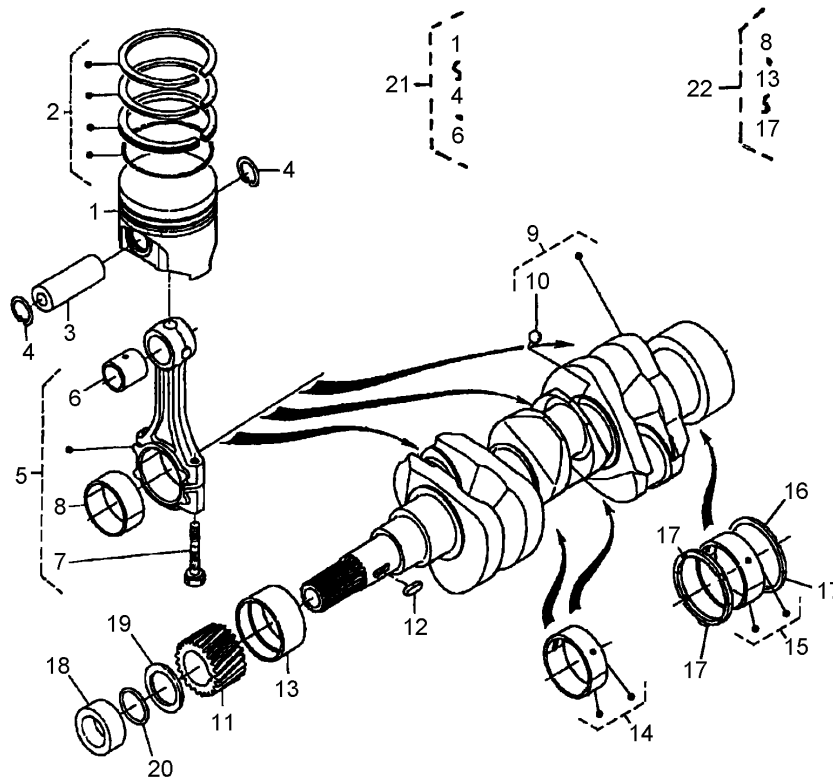
Ref	Part No.	Qty.	Description
1	110-3722	1	Main Bearing Case ASM
2	110-3723	6	Bolt-Case, Bearing
3	100-1873	1	Gasket-Case, Bearing
4	100-1875	1	Cover-Case, Bearing
5	110-3724	1	Seal-Oil
6	100-1876	1	Gasket-Case, Bearing
7	98-7568	8	Bolt
8	100-1750	8	Bolt
9	110-3725	1	Main Bearing Case ASM
10	100-1775	1	Bolt
11	100-1874	2	Bolt-Case, Bearing

--	--	--	--



Camshaft and Idle Gear Shaft Assembly

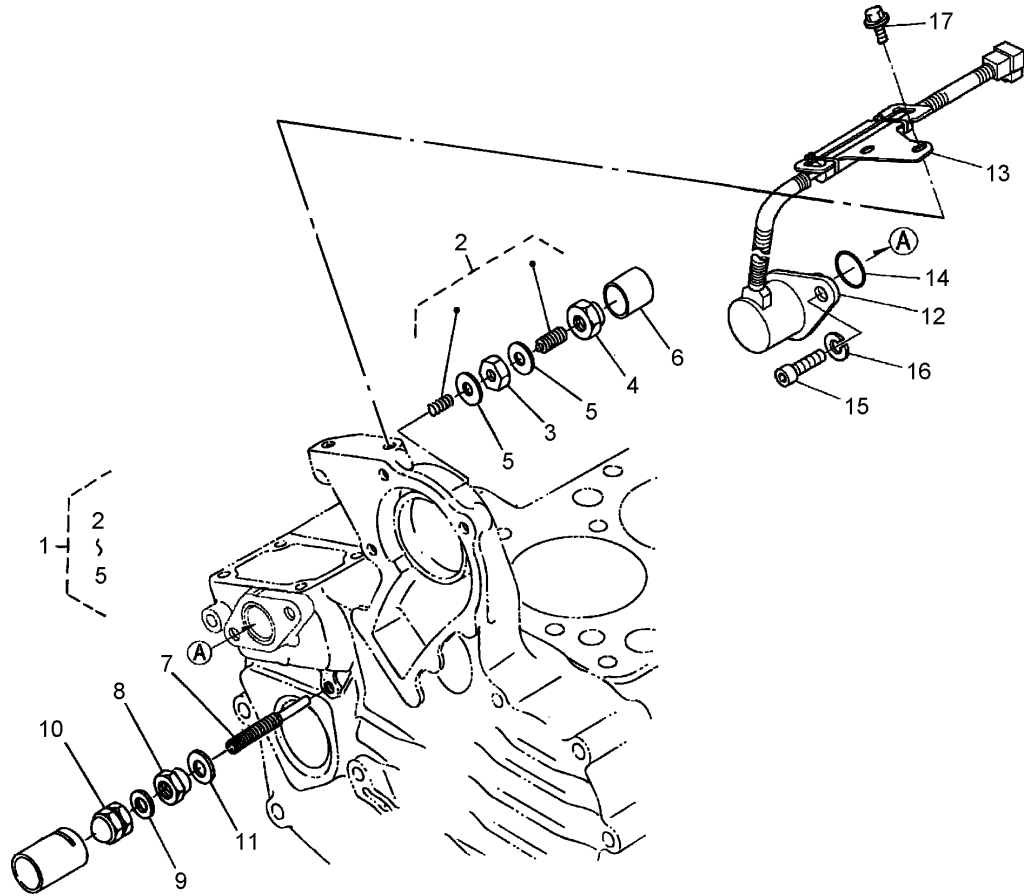
Ref	Part No.	Qty.	Description
1	110-3727	6	Tappet
2	100-1989	6	Rod-Push
3	110-3728	1	Camshaft ASM
4	110-3729	1	Ball
5	100-2163	1	Gear-Cam
6	98-9378	1	Key-Feather
7	100-1887	1	Camshaft-Stopper
8	98-9350	2	Bolt
9	100-1966	1	Gear-Idle
10	100-1968	1	Bushing
11	100-1970	1	Collar-Gear, Idle
12	100-1969	1	Ring-Snap
13	100-1967	1	Shaft-Gear, Idle
14	98-9351	1	Bolt
15	100-2240	1	Idle Gear ASM



Piston and Crankshaft Assembly

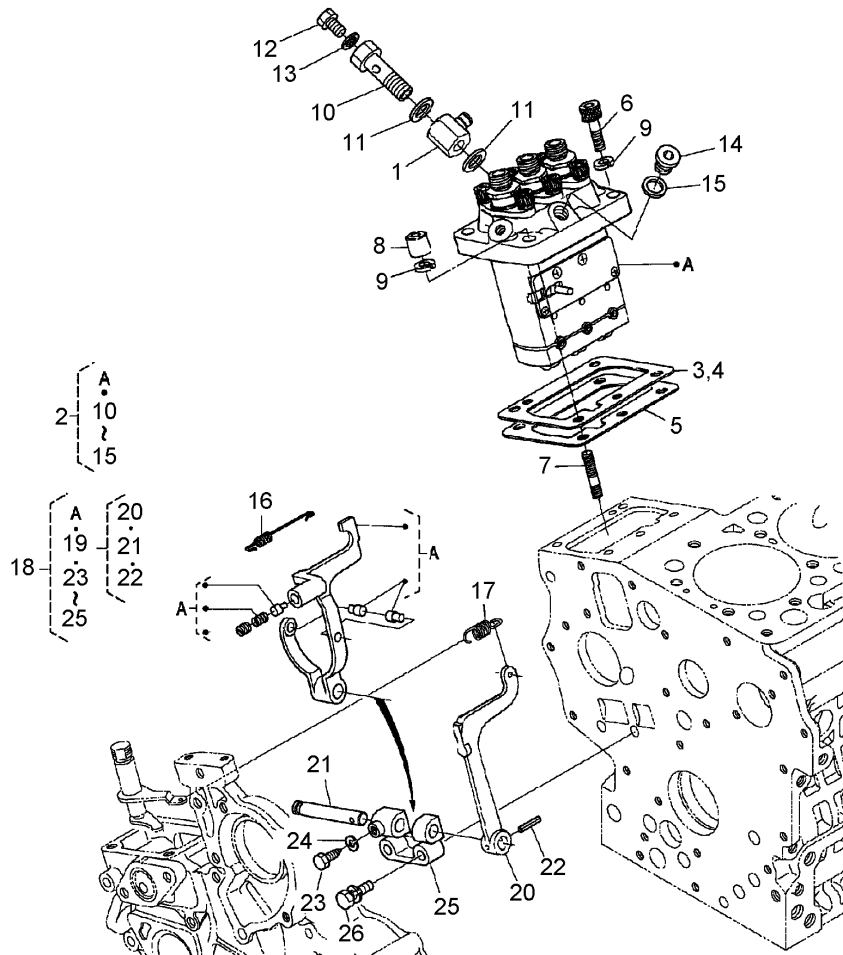
Ref	Part No.	Qty.	Description
1	110-3730	3	Piston
1	110-3731	3	Piston
2	110-3732	3	Piston Ring ASM (STD)
2	110-3733	3	Piston Ring ASM (+.25Mm)
3	110-3734	3	Pin-Piston
4	100-1835	6	Clip-Pin, Piston
5	110-3735	3	Connecting Rod ASM
6	110-3736	3	Bushing-Pin, Piston
7	100-1999	6	Bolt-Rod, Connecting
8	100-1942	3	Crankpin-Metal (-0.2Mm)
8	100-1943	3	Crankpin-Metal (-0.4Mm)
8	100-2000	3	Metal-Crankpin (STD)
9	110-3737	1	Crankshaft
10	100-1791	3	Ball
11	100-1891	1	Gear-Crankshaft
12	100-1752	1	Key-Feather
13	110-3738	1	Metal-Crankshaft (STD)
13	110-3739	1	Metal-Crankshaft (-.20Mm)
13	110-3740	1	Metal-Crankshaft (-.40Mm)
14	110-3741	2	Crankshaft Metal ASM (STD)
14	110-3742	2	Crankshaft Metal ASM (-.20Mm)
14	110-3743	2	Crankshaft Metal ASM (-.40Mm)
15	110-3744	1	Crankshaft Metal ASM (STD)
15	110-3745	1	Crankshaft Metal ASM (-.20Mm)

Ref	Part No.	Qty.	Description
15	110-3746	1	Crankshaft Metal ASM (-.40Mm)
16	100-1836	2	Metal-Side (STD)
16	100-1838	2	Metal-Side (+0.2Mm)
16	100-1839	2	Metal-Side (+0.4Mm)
17	100-1837	2	Metal-Side (STD)
17	100-1840	2	Metal-Side (+0.2Mm)
17	100-1841	2	Metal-Side (+0.4Mm)
18	100-1890	1	Collar-Crankshaft
19	100-1974	1	Slinger-Oil
20	100-2209	1	O-Ring
21	110-3747	3	Piston Kit (STD)
21	110-3748	3	Piston Kit
22	110-3749	1	Engine Metal Kit
22	110-3750	1	Engine Metal Kit
22	110-3751	1	Engine Metal Kit



Idle Apparatus and Stop Solenoid Assembly

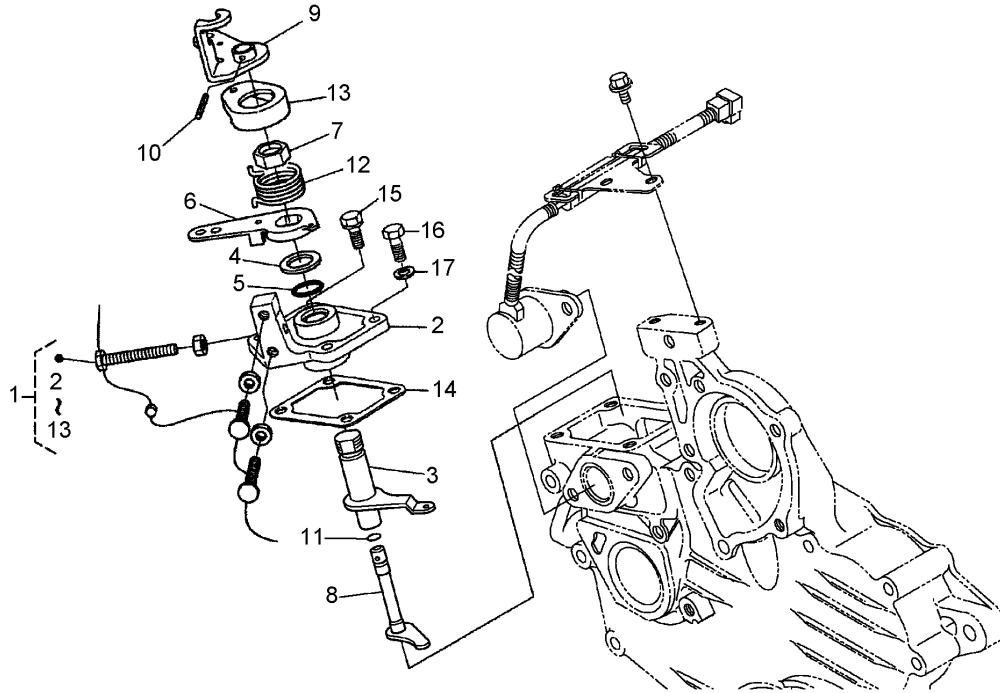
Ref	Part No.	Qty.	Description
1	100-1898	1	Idle Apparatus ASM
2	100-1899	1	Adjusting Bolt ASM
3	100-1846	1	Nut
4	100-1901	1	Nut-Cap
5	98-7428	2	Gasket
6	100-1902	1	Cap
7	110-3758	1	Bolt-Adjusting
8	100-2175	1	Nut-Lock
9	98-7654	1	Gasket
10	98-9441	1	Nut-Cap
11	107-9081	1	Gasket
12	110-3760	1	Solenoid-Stop
13	110-3761	1	Stay-Commander, Coil
14	110-3762	1	O-Ring
15	110-3763	2	Bolt-HSH
16	98-7515	2	Washer-Spring
17	100-1774	2	Bolt-Flange



Injection Pump and Governor Assembly

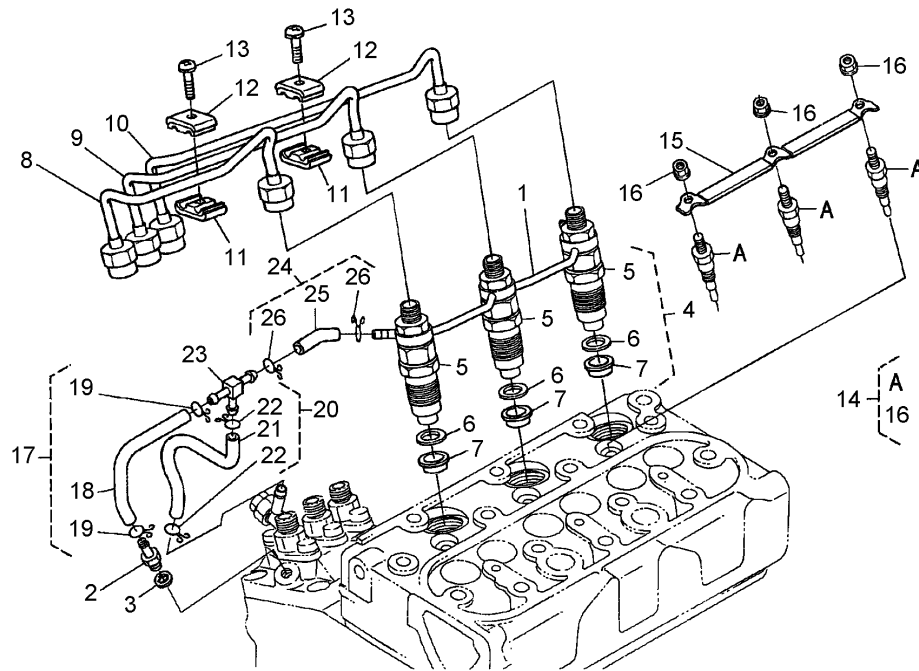
Ref	Part No.	Qty.	Description
1	110-3764	1	Joint
2	110-3765	1	Injection Pump ASM
3	100-1951	1	Shim-Pump, Injection
4	100-1952	1	Shim-Pump, Injection
5	98-9458	1	Shim-Injection (0.30Mm)
6	98-9361	2	Bolt-HSH
7	98-9438	2	Stud
8	98-9440	2	Nut-Cap
9	98-7515	4	Washer-Spring
10	100-1896	1	Screw-Hollow
11	98-9445	2	Gasket
12	98-9430	1	Screw
13	98-9446	1	Gasket
14	98-9466	1	Plug
15	98-9451	1	Gasket
16	110-3766	1	Spring-Start
17	110-3767	1	Spring-Governor
18	110-3768	1	Fork Lever ASM
19	100-1905	1	Fork Lever ASM
20	100-1907	1	Lever-Fork
21	100-1908	1	Shaft-Lever, Fork
22	100-1751	1	Pin-Spring
23	100-1845	1	Bolt
24	100-1783	1	Washer-Spring

Ref	Part No.	Qty.	Description
25	100-1909	1	Holder-Lever, Fork
26	100-1763	2	Bolt



Speed Control Plate Assembly

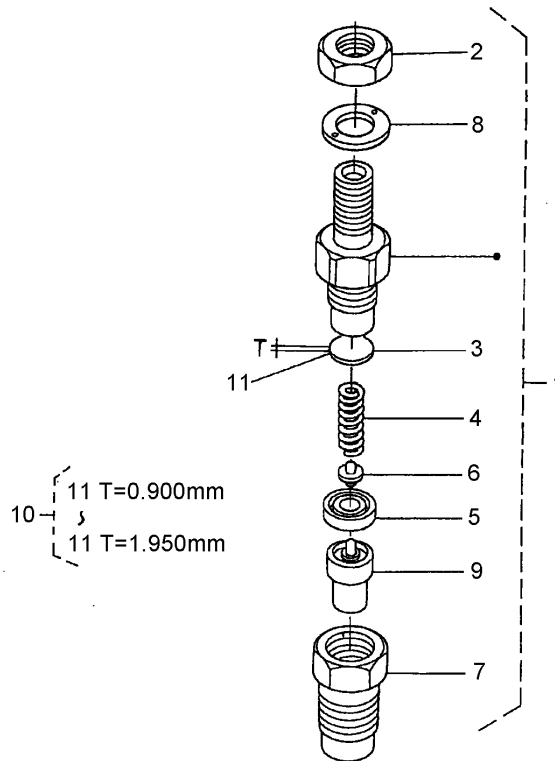
Ref	Part No.	Qty.	Description
1	110-3769	1	Speed Control Plate ASM
2	110-3770	1	Plate-Control, Speed
3	110-3771	1	Lever-Governor
4	110-3772	1	Collar
5	100-2208	1	O-Ring
6	110-3773	1	Lever-Control, Speed
7	110-3774	1	Nut-Control, Speed
8	110-3775	1	Shaft-Lever
9	110-3776	1	Lever-Stop, Engine
10	110-3777	1	Pin-Spring
11	100-2207	1	O-Ring
12	110-3778	1	Spring-Return
13	110-3779	1	Cap
14	100-1962	1	Gasket
15	98-7605	2	Bolt
16	99-8348	2	Bolt
17	98-7654	2	Gasket



Nozzle Holder and Glow Plug Assembly

Ref	Part No.	Qty.	Description
1	110-3780	1	Over Flow Pipe ASM
2	98-9431	1	Screw-Bleeder
3	98-7654	1	Gasket
4	100-1982	3	Nozzle Holder Kit
5	100-1760	3	Nozzle Holder ASM
6	98-7676	3	Gasket
7	98-7677	3	Seal
8	110-3781	1	Pipe-Injection
9	110-3782	1	Pipe-Injection
10	110-3783	1	Pipe-Injection
11	98-7682	2	Clamp-Pipe
12	98-7683	2	Clamp-Pipe
13	98-7684	2	Screw (W/Washer)
14	98-7685	3	Plug-Glow
15	110-3784	1	Cord-Plug, Glow
16	99-8377	3	Nut-Flange
17	110-3785	1	Fuel Tube ASM
18	110-3786	1	Tube-Fuel
19	98-7671	4	Clip-Pipe
20	110-3787	1	Fuel Tube ASM
21	110-3788	1	Tube-Fuel
22	98-7671	2	Clip-Pipe
23	110-3789	1	Joint-T Pipe
24	110-3790	1	Fuel Tube ASM

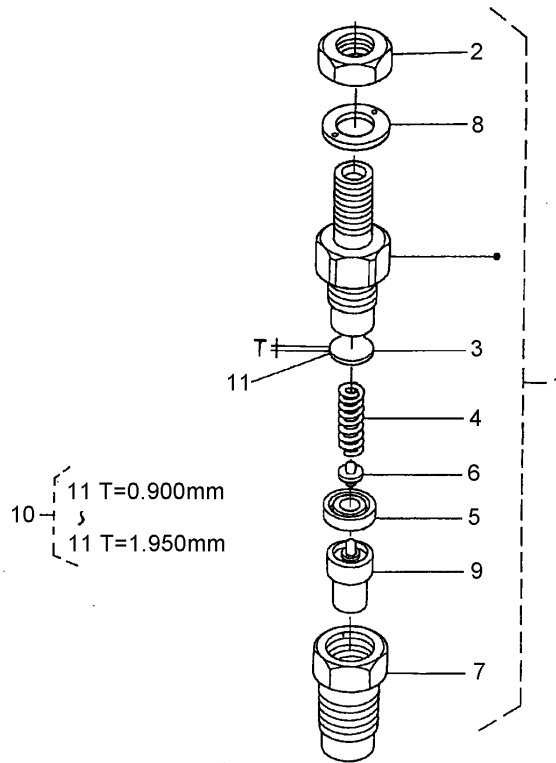
Ref	Part No.	Qty.	Description
25	110-3791	1	Tube-Fuel
26	98-9545	2	Band-Pipe



Nozzle Holder Assembly

Ref	Part No.	Qty.	Description
1	100-1760	3	Nozzle Holder ASM
2	98-7613	3	Nut
3	98-7642	3	Washer-Adjusting
4	98-7647	3	Spring-Nozzle
5	98-7665	3	Spacer-Distance
6	98-7666	3	Rod-Push
7	98-7667	3	Nut-Nozzle
8	98-7668	3	Washer
9	100-2009	3	Piece-Nozzle
10	98-9448	3	Adjusting Washer ASM
11	98-7642	3	Washer-Adjusting
11	98-7841	3	Washer-Adjusting
11	98-7842	3	Washer-Adjusting
11	98-7843	3	Washer-Adjusting
11	98-7844	3	Washer-Adjusting
11	98-7845	3	Washer-Adjusting
11	98-7846	3	Washer-Adjusting
11	98-7847	3	Washer-Adjusting
11	98-7848	3	Washer-Adjusting
11	98-7849	3	Washer-Adjusting
11	98-7850	3	Washer-Adjusting
11	98-7851	3	Washer-Adjusting
11	98-7852	3	Washer-Adjusting
11	98-7853	3	Washer-Adjusting

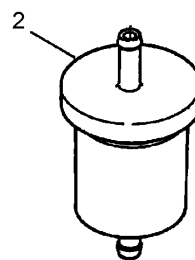
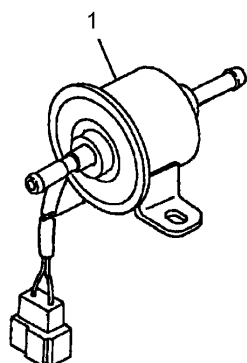
Ref	Part No.	Qty.	Description
11	98-7854	3	Washer-Adjusting
11	98-7855	3	Washer-Adjusting
11	98-7856	3	Washer-Adjusting
11	98-7857	3	Washer-Adjusting
11	98-7858	3	Washer-Adjusting
11	98-7859	3	Washer-Adjusting
11	98-7860	3	Washer-Adjusting
11	98-7861	3	Washer-Adjusting
11	98-7862	3	Washer-Adjusting
11	98-7863	3	Washer-Adjusting
11	98-7864	3	Washer-Adjusting
11	98-7865	3	Washer-Adjusting
11	98-7866	3	Washer-Adjusting
11	98-7867	3	Washer-Adjusting
11	98-7868	3	Washer-Adjusting
11	98-7869	3	Washer-Adjusting
11	98-7870	3	Washer-Adjusting
11	98-7871	3	Washer-Adjusting
11	98-7872	3	Washer-Adjusting
11	98-7873	3	Washer-Adjusting
11	98-7874	3	Washer-Adjusting
11	98-7875	3	Washer-Adjusting
11	98-7876	3	Washer-Adjusting
11	98-7877	3	Washer-Adjusting



Nozzle Holder Assembly (continued)

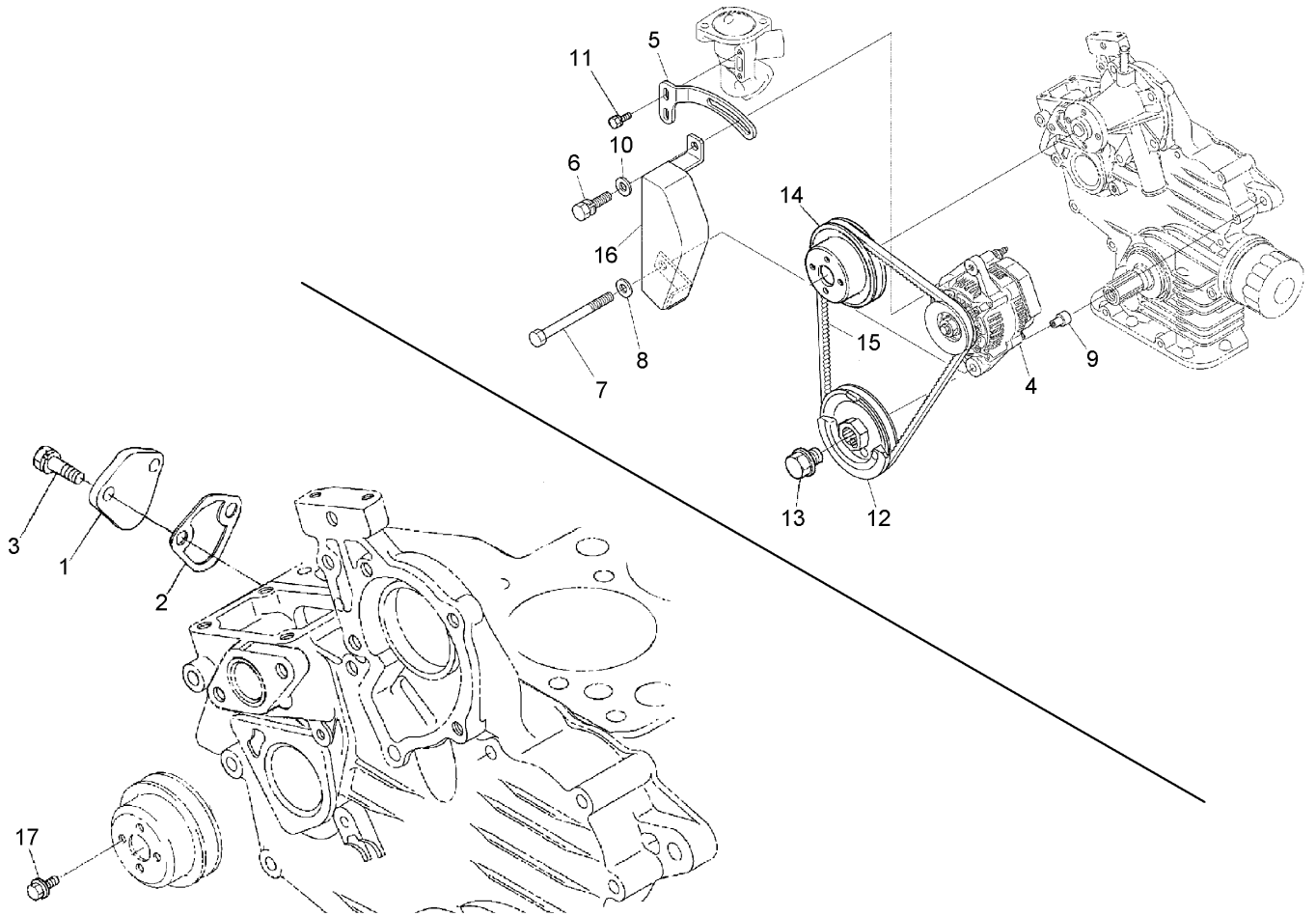
Ref	Part No.	Qty.	Description
11	98-7878	3	Washer-Adjusting
11	98-7879	3	Washer-Adjusting
11	98-7880	3	Washer-Adjusting
11	98-7881	3	Washer-Adjusting
11	98-7882	3	Washer-Adjusting

--	--	--	--



Fuel Pump and Fuel Filter Assemblies

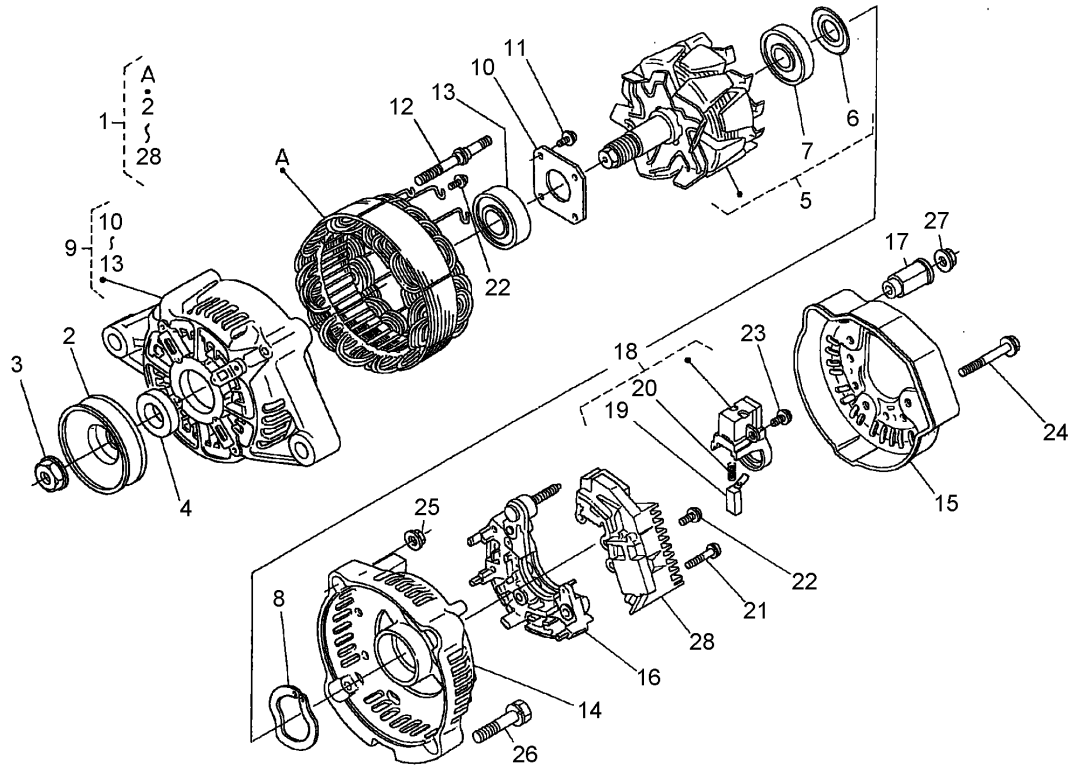
Ref	Part No.	Qty.	Description
1	107-0122	1	Pump-Fuel, Electric
2	98-7612	2	Filter-Fuel



Alternator, Pulley and Fuel Pump Cover Assembly

Ref	Part No.	Qty.	Description
1	99-3514	1	Cover
2	100-1961	1	Gasket-Pump, Fuel
3	98-7692	2	Bolt
4	98-9474	1	Alternator ASM
5	110-3792	1	Stay-Alternator
6	98-7697	1	Bolt
7	110-3793	1	Bolt
8	98-7660	1	Washer-Plain
9	110-3794	1	Collar
10	100-9233	1	Washer-Plain
11	98-7692	2	Bolt
12	110-3795	1	Pulley-Drive, Fan
13	100-1978	1	Bolt
14	100-1921	1	Pulley-Fan
15	110-3796	1	V Belt
16	110-3797	1	Cover
17	99-8363	2	Bolt-Flange

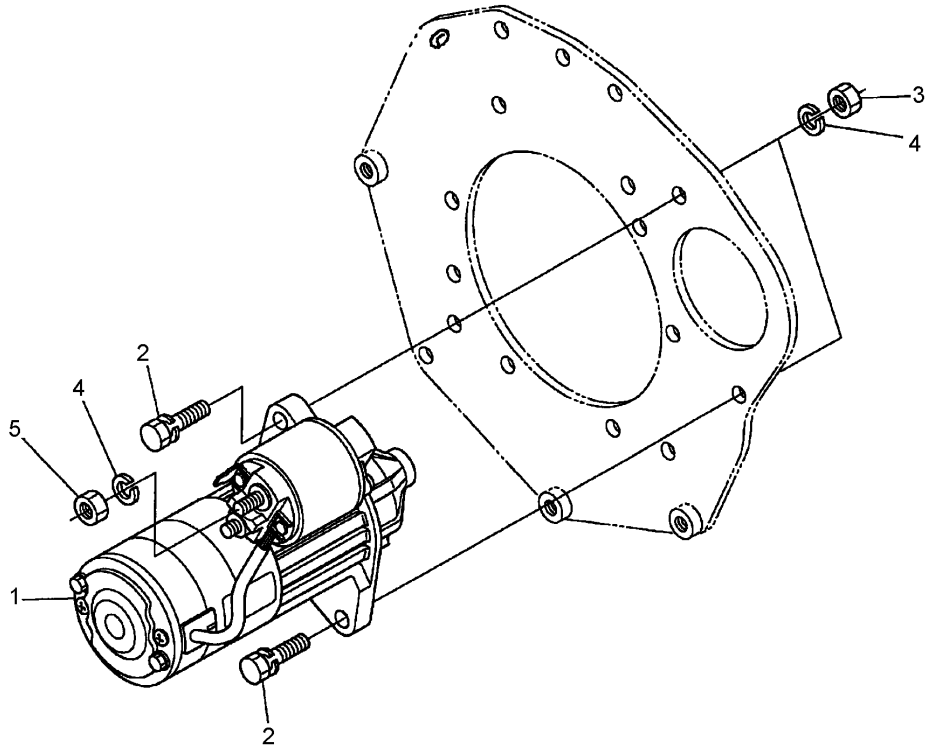
--	--	--	--



Alternator Assembly

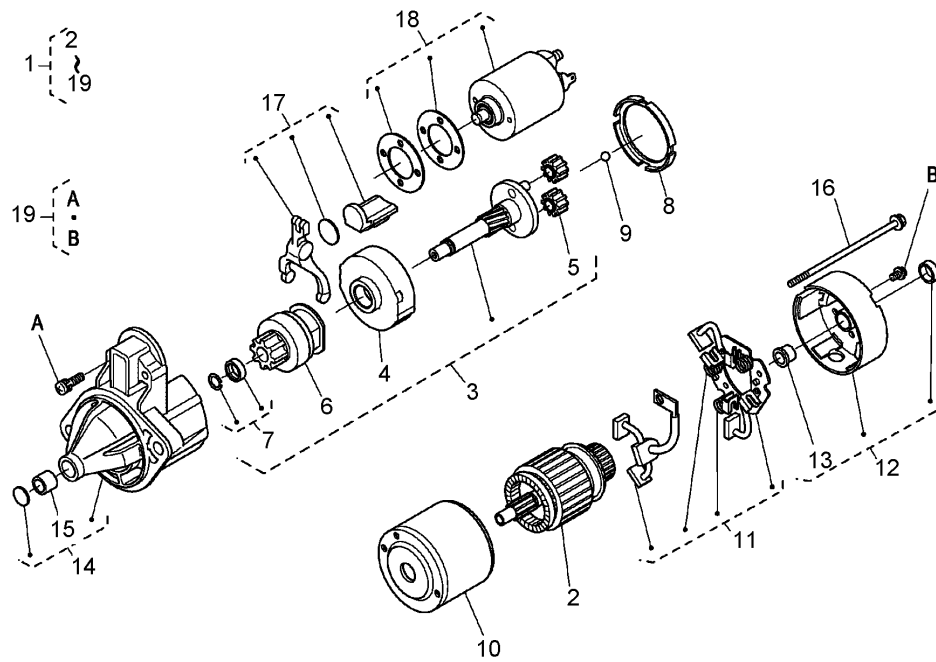
Ref	Part No.	Qty.	Description
1	98-9474	1	Alternator ASM
2	98-9453	1	Pulley-Dynamo
3	98-7708	1	Nut
4	98-7709	1	Collar
5	107-0136	1	Rotor
6	98-7711	1	Cover-Bearing
7	107-0138	1	Bearing-Ball
8	98-7713	1	Washer-Thrust
9	107-0139	1	Drive End Frame ASM
10	98-7715	1	Plate-Retainer
11	98-7716	4	Screw-Head, Round
12	98-7717	2	Bolt-Through
13	107-0137	1	Bearing-Ball
14	107-9087	1	Frame-End
15	107-0140	1	Cover-End
16	98-7721	1	Rectifier ASM
17	98-7722	1	Bushing-Insulation
18	107-0141	1	Holder-Brush
19	98-7724	2	Brush
20	98-7725	2	Spring-Brush
21	98-7726	2	Screw-Head, Round
22	98-7727	6	Screw-Head, Round
23	98-7728	1	Screw-Head, Round
24	98-7729	3	Bolt

Ref	Part No.	Qty.	Description
25	98-7730	2	Nut
26	98-7731	2	Bolt
27	98-7732	1	Nut
28	110-3799	1	Regulator ASM



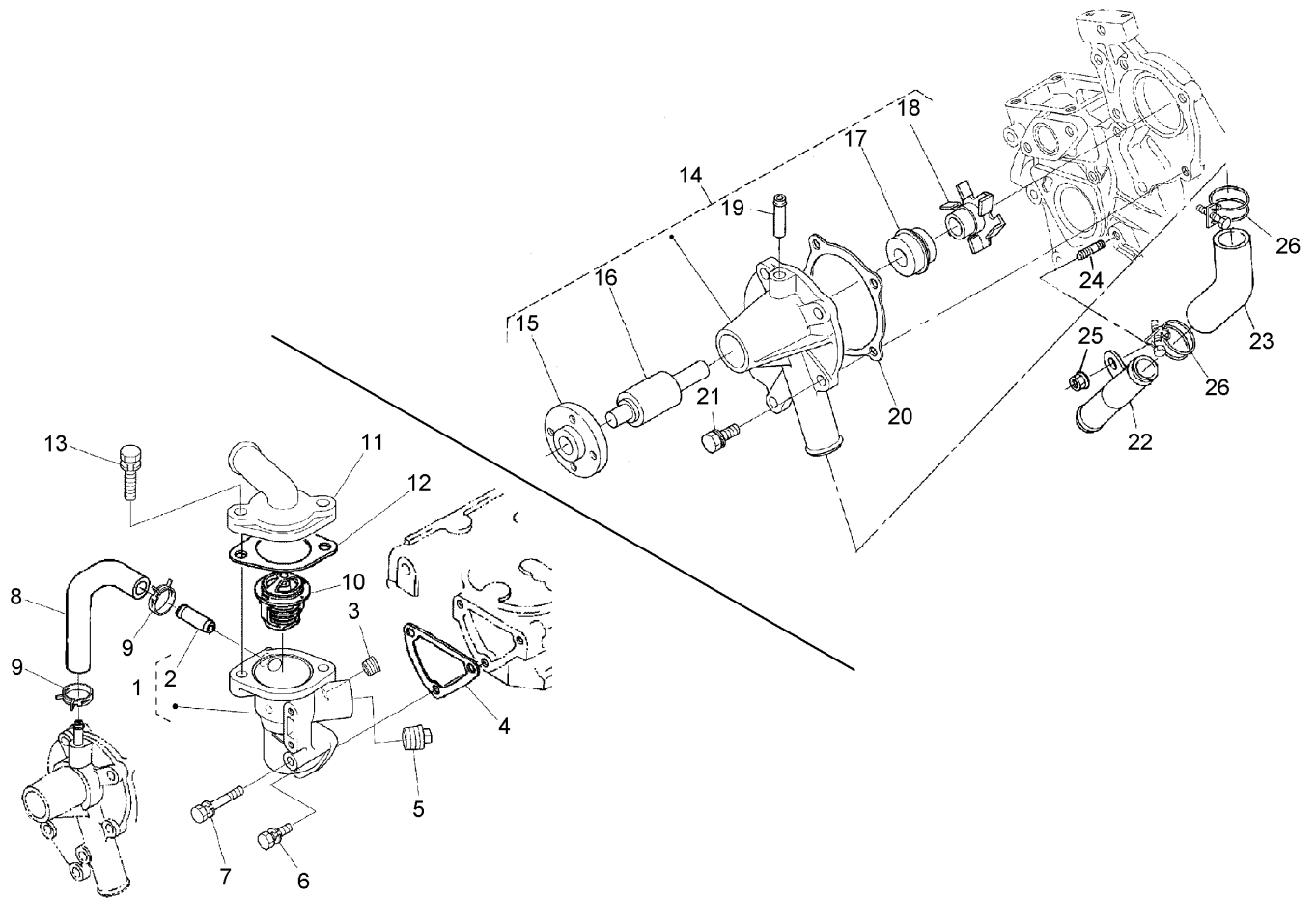
Starter Installation Assembly

Ref	Part No.	Qty.	Description
1	110-3800	1	Starter ASM
2	100-1770	2	Bolt
3	98-7661	2	Nut
4	98-7535	3	Washer-Spring
5	98-7534	2	Nut



Starter Assembly

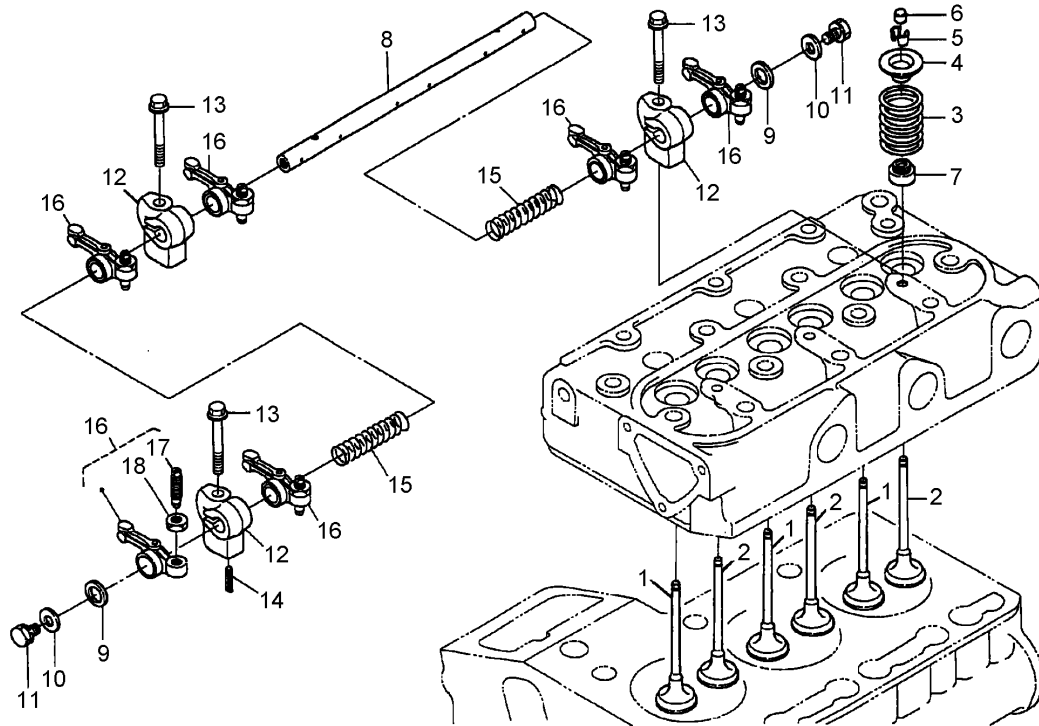
Ref	Part No.	Qty.	Description				
1	110-3800	1	Starter ASM				
2	110-3801	1	Armature				
3	110-3802	1	Shaft ASM				
4	110-3803	1	Gear-Internal				
5	110-3804	3	Gear-Planetary				
6	110-3805	1	Clutch-Running, Over				
7	110-3806	1	Stopper				
8	110-3807	1	Gasket				
9	110-3808	1	Ball				
10	110-3809	1	Yoke				
11	110-3810	1	Brush Holder ASM				
12	110-3811	1	Rear Bracket ASM				
13	110-3812	1	Bush				
14	110-3813	1	Front Bracket ASM				
15	110-3814	1	Bush				
16	110-3815	2	Bolt				
17	110-3816	1	Lever-Fork				
18	110-3817	1	Switch-Magnetic				
19	110-3818	1	Screw-Head, Pan				



Water Flange, Pump, Pipe and Thermostat Assembly

Ref	Part No.	Qty.	Description
1	110-3819	1	Flange-Water
2	98-9580	1	Pipe-Return, Water
3	98-9444	1	Plug
4	110-3820	1	Gasket-Flange, Water
5	110-3821	1	Plug
6	98-7692	2	Bolt
7	98-9355	1	Bolt
8	110-3822	1	Pipe-Return, Water
9	98-9579	2	Band-Pipe
10	98-7778	1	Thermostat ASM
11	110-3823	1	Cover-Thermostat
12	98-7776	1	Gasket
13	98-7777	2	Bolt
14	110-3824	1	Water Pump ASM
15	100-1933	1	Flange-Pump, Water
16	100-1934	1	Bearing-Ball
17	99-3518	1	Water Pump Seal ASM
18	110-3825	1	Impeller-Pump, Water
19	100-1932	1	Pipe-Return, Water
20	110-3826	1	Gasket-Pump, Water
21	100-1750	4	Bolt
22	100-1918	1	Pipe-Water
23	110-3827	1	Pipe-Water
24	100-1924	1	Stud

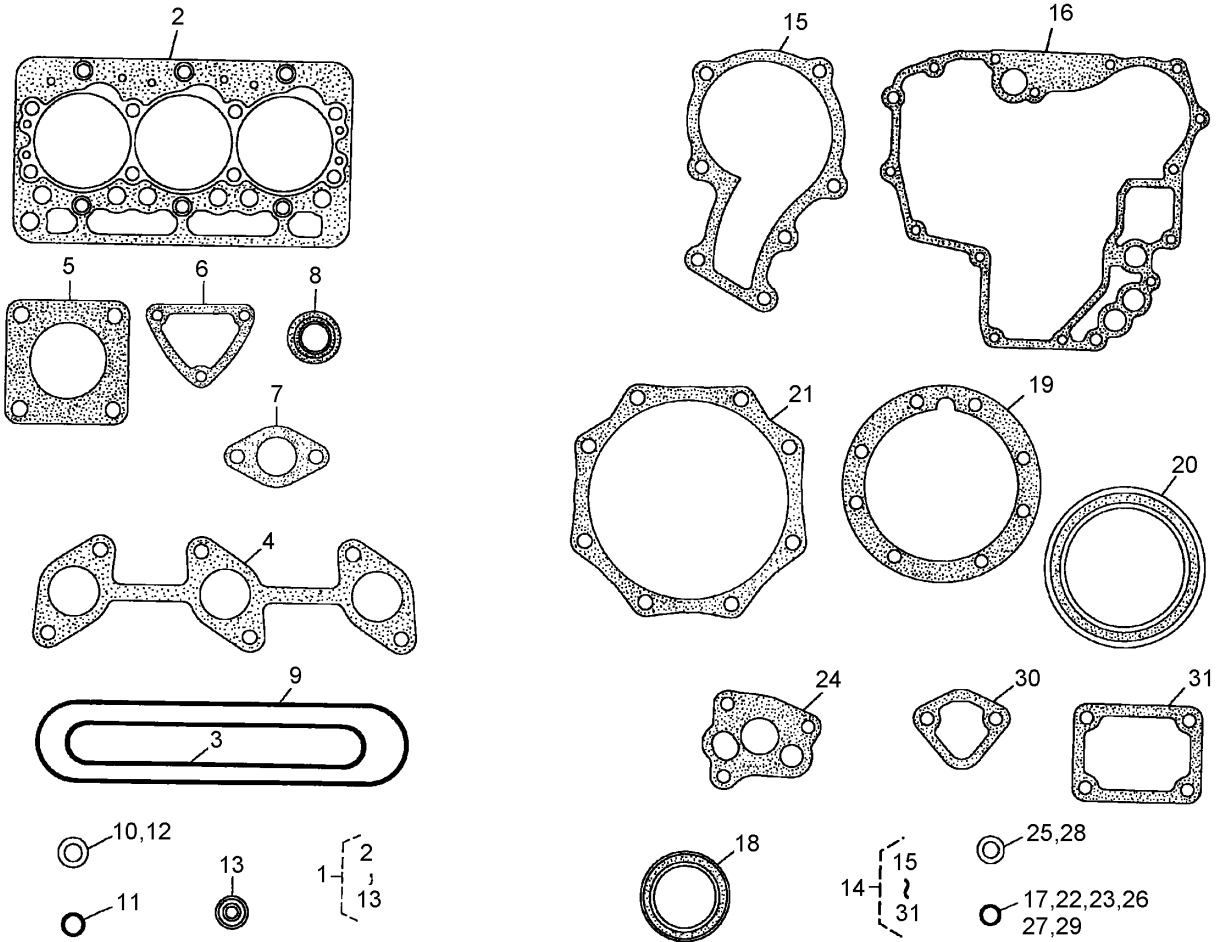
Ref	Part No.	Qty.	Description
25	100-2203	1	Nut-Flange
26	110-3828	2	Band-Pipe



Valve and Rocker Arm Assembly

Ref	Part No.	Qty.	Description
1	110-3829	3	Valve-Inlet
2	110-3830	3	Valve-Exhaust
3	100-1823	6	Spring-Valve
4	100-1825	6	Retainer-Spring, Valve
5	100-1826	6	Collet-Spring, Valve
6	100-1824	6	Cap-Valve
7	100-1797	6	Seal-Stem, Valve
8	110-3831	1	Shaft-Arm, Rocker
9	100-2044	2	Washer
10	110-3832	2	Washer-Plain
11	100-1762	2	Bolt
12	110-3833	3	Bracket-Arm, Rocker
13	110-3834	3	Bolt-Flange
14	98-7602	1	Pin-Spring
15	110-3835	2	Spring
16	100-1884	6	Rocker Arm ASM
17	100-1885	6	Screw-Adjusting
18	100-1827	6	Nut

--	--	--	--



Gasket Kit Assemblies

Ref	Part No.	Qty.	Description
1	110-3844	1	Upper Gasket Kit
2	110-3706	1	Gasket-Head, Cylinder
3	110-3838	1	Gasket-Manifold, Intake
4	110-3840	1	Gasket-Manifold, Exhaust
5	99-8343	1	Gasket-Muffler
6	110-3820	1	Gasket-Flange, Water
7	98-7776	1	Gasket
8	100-1797	6	Seal-Stem, Valve
9	110-3717	1	Gasket-Cover, Head
10	110-3846	1	O Ring-Breather
11	99-3446	1	O-Ring
12	98-7676	3	Gasket
13	98-7677	3	Seal
14	110-3847	1	Lower Gasket Kit
15	100-2066	1	Gasket-Pump, Water
16	110-3707	1	Case-Gear
17	98-7509	1	O-Ring
18	100-1971	1	Seal-Oil
19	100-1873	1	Gasket-Case, Bearing
20	110-3724	1	Seal-Oil
21	100-1876	1	Gasket-Case, Bearing
22	100-1785	3	O-Ring
23	100-2209	1	O-Ring
24	100-1958	1	Gasket-Pump, Oil

Ref	Part No.	Qty.	Description
25	98-7654	3	Gasket
26	100-2208	1	O-Ring
27	100-2207	1	O-Ring
28	98-9399	3	Gasket
29	100-2205	1	O-Ring
30	100-1961	1	Gasket-Pump, Fuel
31	100-1962	1	Gasket

Attachments and Accessories

For 74264 - Z593-D Z Master, With 52in TURBO FORCE Side Discharge Mower

Product Name	Model/Part
Z Stand Kit	105-1622
Blade-Recycler, 18 Inch	105-7779-03
Blade-Med Flow, 18 Inch	105-7794-03
Blade-Low Flow, 18 Inch	105-7795-03
Blade-Atomic, 18 Inch	105-7796-03
52 Inch Recycler Kit	107-1610
Striping Kit	107-1630
Turbo Baffle Kit	107-1634
Suspension Kit for Standard Seat	107-1892
Light Kit	107-9880
Blade-Hi-Flow, 18 Inch (6 Pack)	108-1117
Blade-Atomic, 18 Inch (6 Pack)	108-1118
Roller Striping Kit	108-2162
Sunshade-Bimini	108-2793
Blade-Lo-Flow, 18 Inch (6 Pack)	110-0406
Blade-Recycler, 18 Inch (6 Pack)	110-0408
Blade-Med-Flow, 18 Inch (6 Pack)	110-0409
DFS Vac Collection System Mounting Kit	110-0891
Cool Top ROPS Mounted Fan	110-1996
DFS Weight Kit	110-3860
52 Inch Twin Soft Bagger	78498
52 Inch TURBO FORCE Mower Finishing Kit	78512
DFS Vac Collection System	78514
Chute Gate Kit	78521
Filter Minder Gauge	99-4664
Hitch Kit	99-8925

