



Insight[®] Gold Lawn Mower

Model No. 10694 - 270000001 and up.

Parts Catalog

Ordering Replacement Parts

To order replacement parts, please supply the part number, the quantity, and the description of each part desired.

Understanding Reference Numbers

Each Identified part in an illustration has a reference number. The reference number for a part also appears in the parts list, along with other information about the part.

This catalog uses two special reference number formats, one to indicate parts in a service assembly and another to indicate the quantity of a given part in an illustration.

Service Assembly Reference Numbers

Parts in service assemblies have reference numbers in the form a:b. The a represents the reference number of the entire service assembly and the b represents a sequential number unique to each part within the service assembly.

For example, a wheel assembly might be identified by reference number 6, the tire by 6:1, the valve by 6:2, and the wheel by 6:3. When you order the assembly identified by reference number 6, you receive all parts identified by reference numbers 6:1, 6:2, and 6:3. However, you may also order any part individually. Reference numbers of this type appear in illustrations and in part lists.

Reference Numbers Indicating Quantity

In an illustration, if a reference number indicates more than one part, the reference number has the form nX y. The n represents the quantity of the part, the X is the multiplication symbol, and the y represents the reference number.

For example, in an illustration, the reference number 2X 37 means that two of the parts identified by reference number 37 are indicated.

Contents

Description	Page	Description	Page
Front End and Tunnel Assembly 3	Camshaft Pulley Assembly Honda GCV160A STL1 14
Housing Assembly No. 108-9345 4	Recoil Starter Assembly Honda GCV160A STL1 15
Rear End Assembly 5	Fan Cover Assembly Honda GCV160A STL1 16
Upper Handle Assembly 6	Carburetor Assembly Honda GCV160A STL1 17
Lower Handle Assembly 7	Air Cleaner Assembly Honda GCV160A STL1 18
Blade and Engine Assembly 8	Muffler Assembly Honda GCV160A STL1 19
Rear Bag Assembly 9	Flywheel Assembly Honda GCV160A STL1 20
Cylinder Barrel Assembly Honda GCV160A STL1 10	Control Assembly Honda GCV160A STL1 21
Oil Pan Assembly Honda GCV160A STL1 11	Choke Base Assembly Honda GCV160A STL1 22
Crankshaft Assembly Honda GCV160A STL1 12	Top Cover Assembly Honda GCV160A STL1 23
Piston and Connecting Rod Assembly Honda GCV160A STL1 13	Label Assembly Honda GCV160A STL1 24
		Attachments and Accessories List 25

Part Description Abbreviations

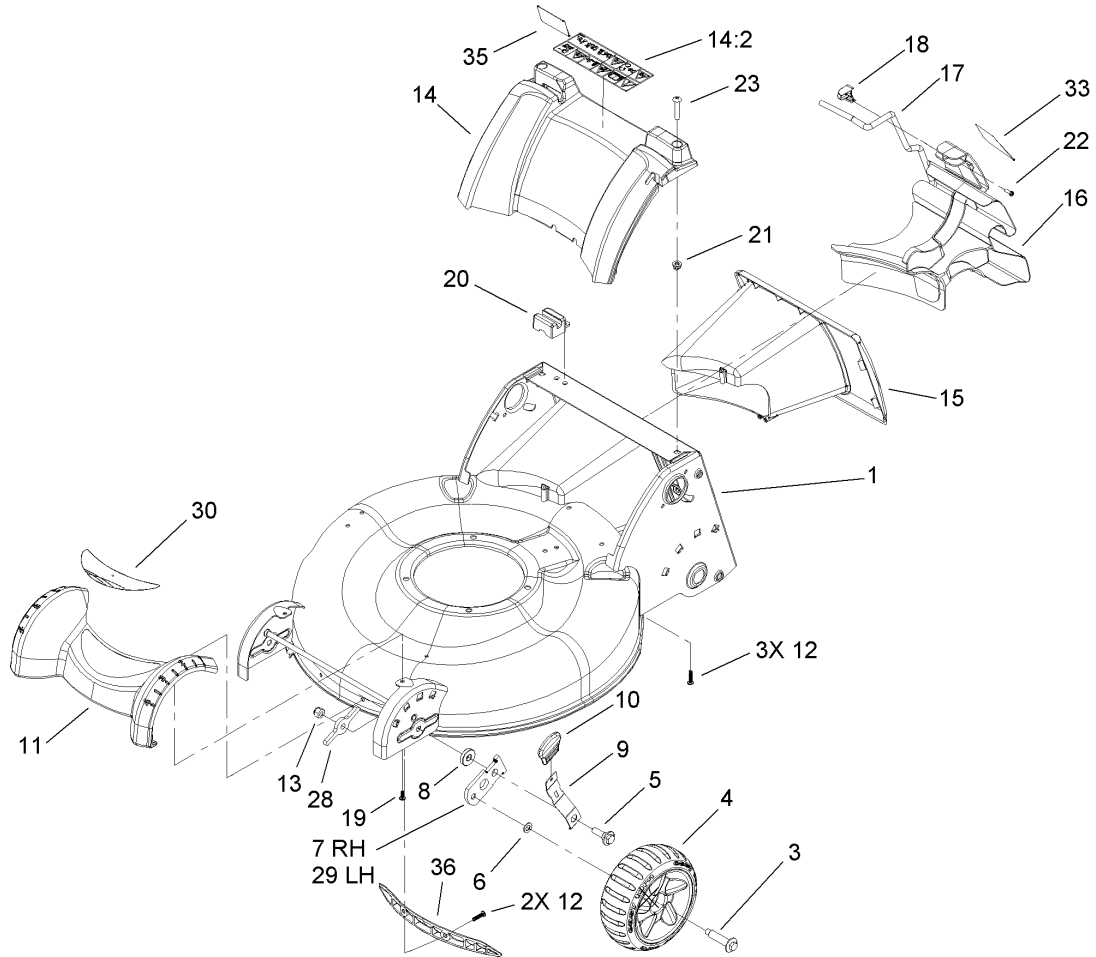
Part descriptions in this catalog may include the following abbreviations.

AR. as required	HYD. hydraulic
ASM. assembly	LH. left hand
BBC. blade brake clutch	NI. nylon insert
CARR. carriage	NPTF. national pipe thread fine
DEG. degrees	PFH. phillips flat head
EXT. external	PPH. phillips pan head
FH. flat head	PPHTF. phillips pan head thread forming
GA. gauge	PRH. phillips round head
HD. heavy-duty	PTH. phillips truss head
HF. hex flange	PTO. power-take-off
HH. hex head	RH. right hand
HHF. hex head flange	ROPS. roll-over protection system
HHFTF. hex head flange thread forming	SFH. slotted fillister head
HJ. hex jam	SHH. slotted hex head
HLH. hex lag head	SHWH. slotted hex washer head
HOC. height-of-cut	SPH. slotted pan head
HSBH. hex socket button head	SQH. square head
HSFH. hex socket flat head	SRH. slotted round head
HSH. hex socket head	STD. standard
HWH. hex washer head	TAP. self tapping
HWHTF. hex washer head thread forming	TTH. torx truss head

Footnotes

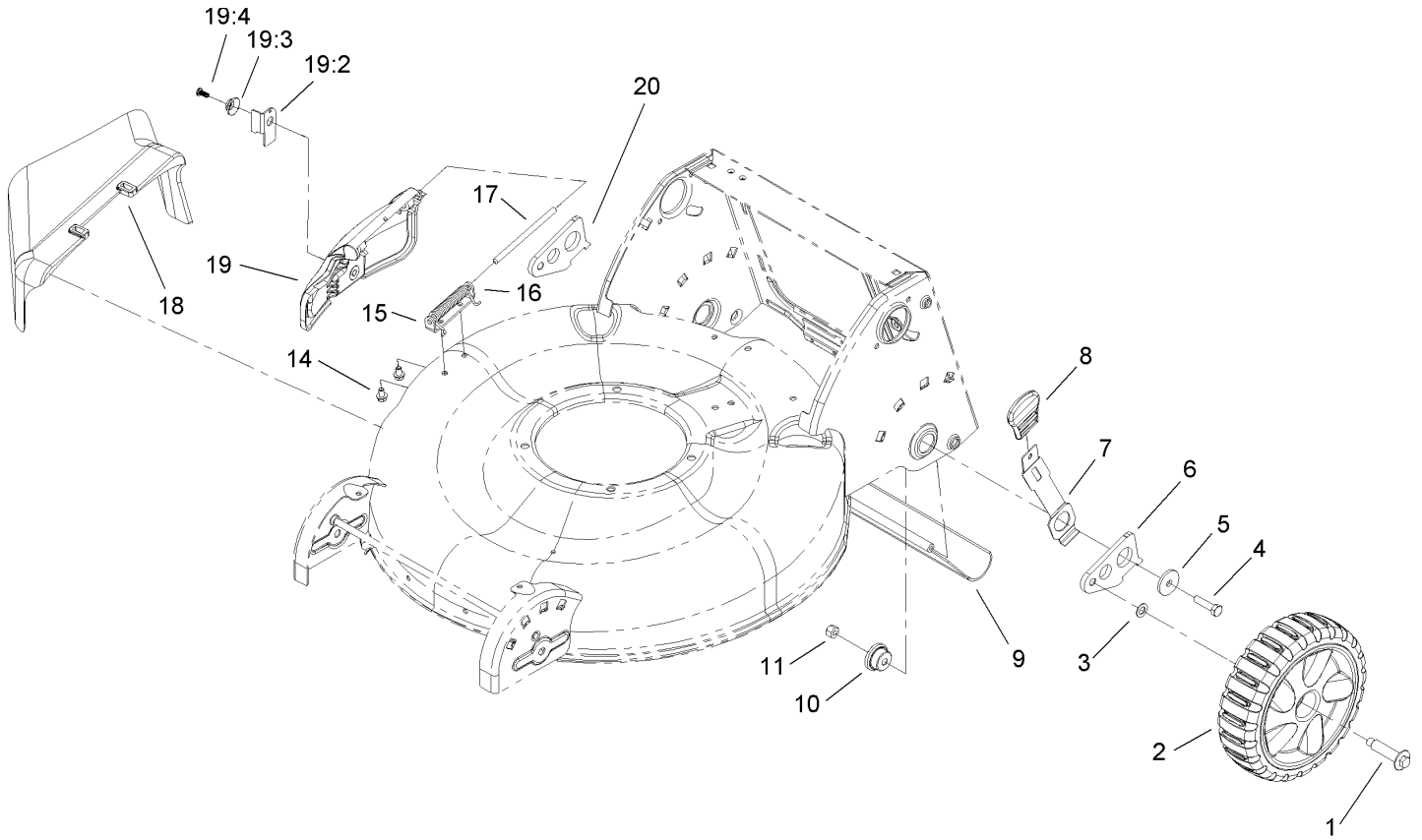
- ❶ Not illustrated
- ❷ Obtain from your local Honda dealer

- ❸ Not serviced separately



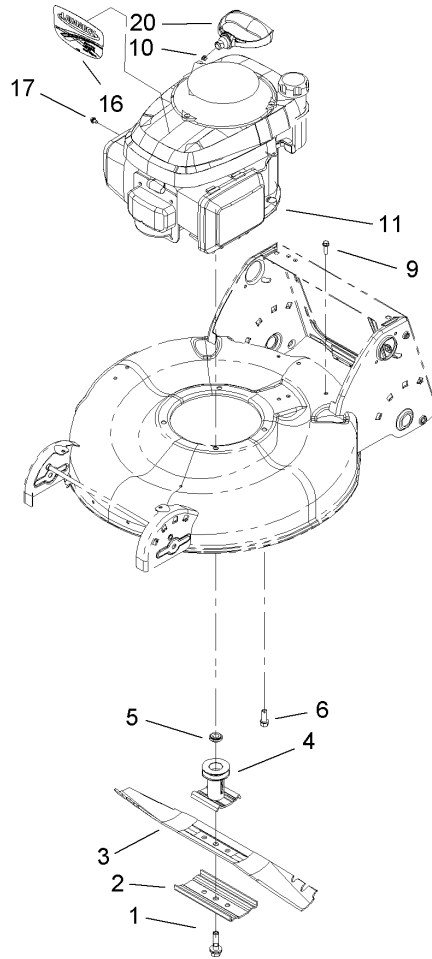
Front End and Tunnel Assembly

Ref	Part No.	Qty.	Description	Ref	Part No.	Qty.	Description
1	108-9345	1	Housing ASM	29	108-1044	1	Arm-Pivot, LH
3	614650	2	Bolt-Shoulder	30	108-7453	1	Decal
4	112-1548	2	7 Inch Front Wheel ASM	33	108-7461	1	Decal
5	614672	2	Bolt-Shoulder	35	107-1938	1	Decal-Bag Attachment
6	40-1940	2	Washer	36	108-7502	1	Insert-Housing
7	107-3877	1	Arm-Pivot, RH	●39	110-1751	1	Mulch Plug ASM
8	92-4890	2	Washer				
9	107-3878	2	Arm-Spring				
10	107-1904	2	Knob-Lever, HOC				
11	107-3926	1	Cover-Front				
12	108-7476	5	Screw-Plastite				
13	3296-39	2	Nut-Lock, NI				
14	108-9349	1	Cover-Rear				
14:2	107-3888	1	Decal-Safety				
15	110-9455	1	Tunnel				
16	107-3907	1	Plug-Chute				
17	108-1038	1	Latch-Plug				
18	108-0956	1	Retainer-Latch				
19	108-7475	2	Screw-Plastite				
20	110-1786	1	Module-Switch				
21	94-1610	2	Nut-Clip				
22	32144-111	1	Screw-PPH				
23	108-0965	2	Screw-PTH				
28	108-1048	2	Washer-Support, Front				



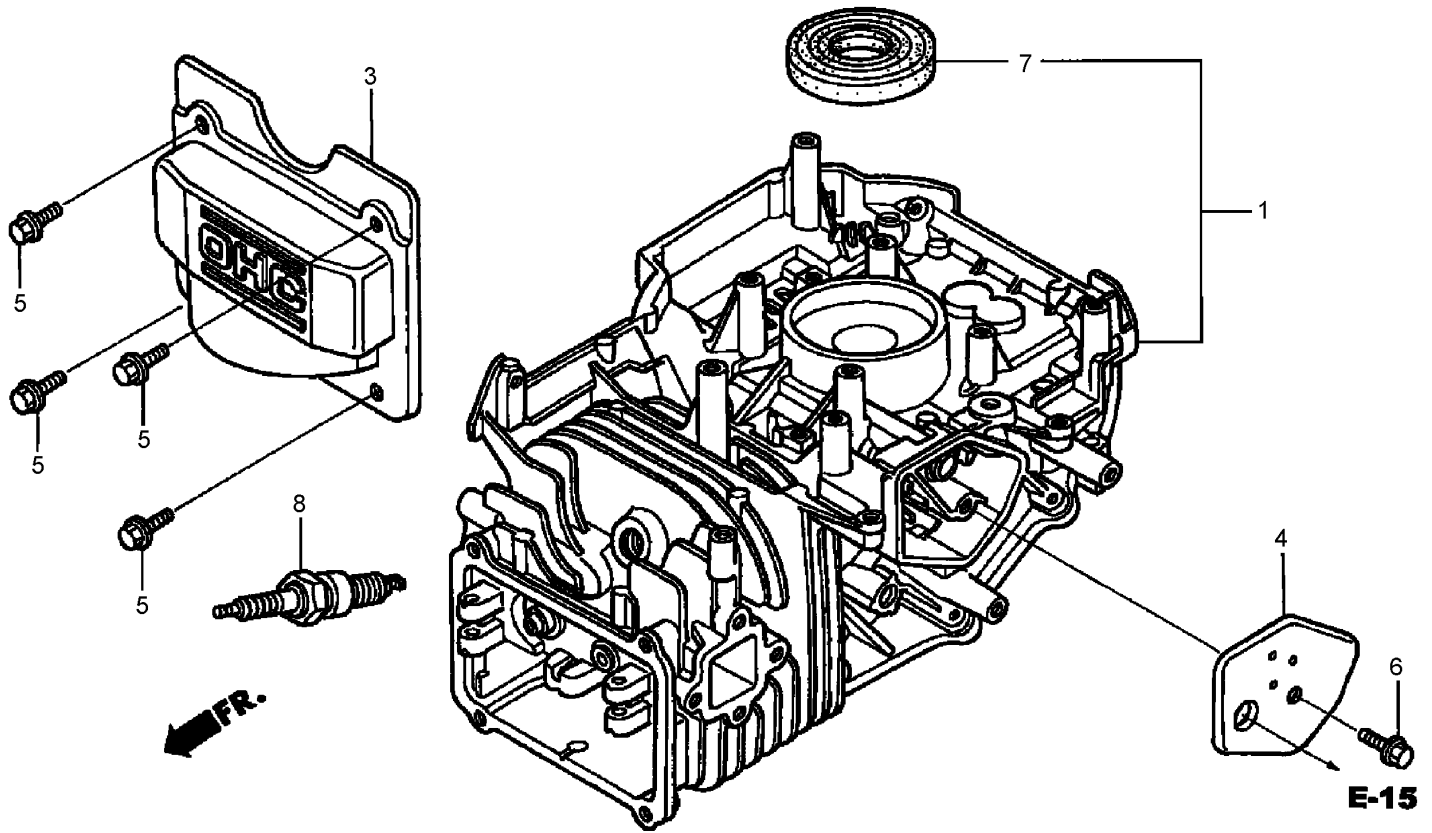
Rear End Assembly

Ref	Part No.	Qty.	Description
1	614650	2	Bolt-Shoulder
2	107-3898	2	8 Inch Wheel ASM
3	40-1940	2	Washer
4	322-6	2	Screw-HH
5	105-3048	2	Washer-Flat
6	108-9344	1	Arm-Rear Pivot, LH
7	110-9445	2	Arm-Spring, Rear
8	107-1904	2	Knob-Lever, HOC
9	112-8768	1	Shield-Trailing
10	105-1818	2	Bushing-Mount, HOC
11	3296-29	2	Nut-Lock, NI
14	99-8445	2	Screw-HWH
15	99-5293	1	Spring-Torsion
16	112-6416	1	Bracket-Cover
17	99-5291	1	Rod-Cover
18	105-3028	1	Chute-Discharge, Side
19	106-8376	1	Discharge Door ASM
19:2	107-0795	1	Latch-Door
19:3	107-7456	1	Cap-Door
19:4	107-7461	1	Screw-Plastite
20	108-9343	1	Arm-Rear Pivot, RH



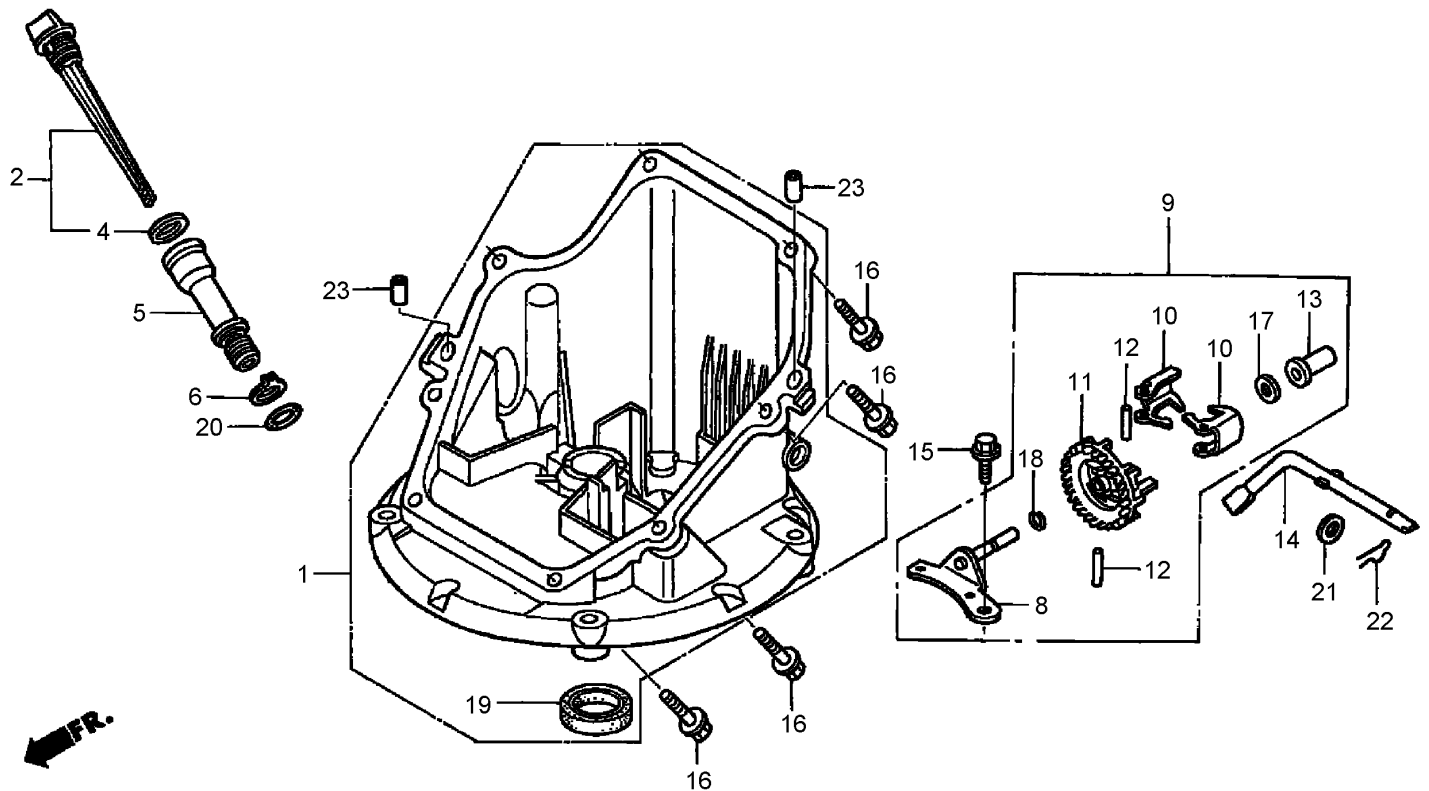
Blade and Engine Assembly

Ref	Part No.	Qty.	Description				
1	105-8579	1	Bolt-Blade				
2	108-3766-03	1	Support-Blade				
3	108-0954-03	1	Blade-21 Inch				
4	106-3987	1	Blade Driver ASM				
5	106-3999	1	Spacer-Driver				
6	92-1624	3	Screw				
9	46-8091	3	Screw-HWH				
10	92-1701	1	Stop-Rope				
11		1	Engine-Honda, Gcv160A Stl1				
16	108-7529	1	Decal				
17	98-1394	1	Screw-HWH				
20	110-1778	1	Handle-Recoil				



Cylinder Barrel Assembly Honda GCV160A STL1

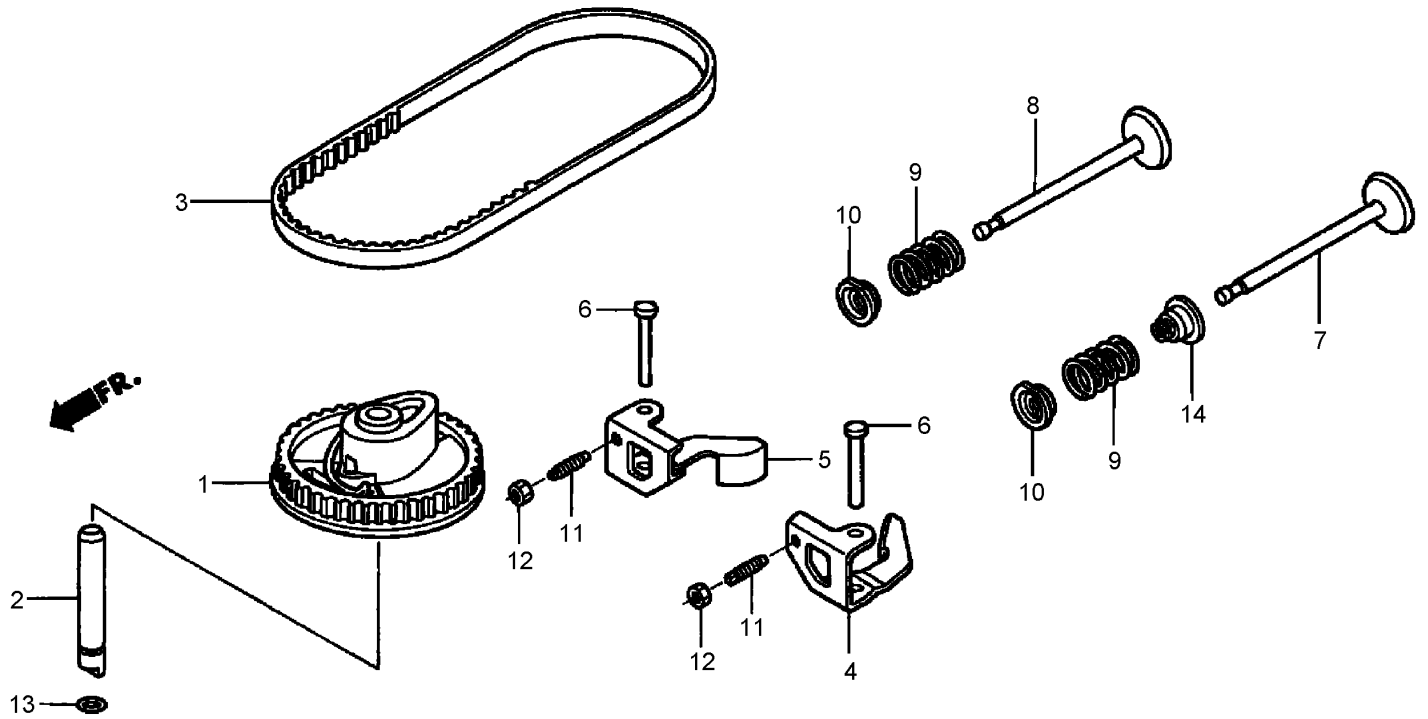
Ref	Part No.	Qty.	Description
❶	12000-ZL8-415	1	Cylinder ASM (010)
❸	12311-ZL8-000	1	Cover-Head
❹	12355-ZL8-000	1	Cover-Breather (Breather Valve ASM)
❺	90013-883-000	4	Bolt-Flange (6X12) (Cl200)
❻	90014-952-000	1	Bolt-Flange (6X14)
❼	91201-ZL8-003	1	Seal (25.4X62X6)
❽	98079-56846	1	Plug-Spark (Bpr6Es) (Ngk)



Oil Pan Assembly Honda GCV160A STL1

Ref	Part No.	Qty.	Description
❶	11300-ZM0-405	1	Oil Pan ASM (000)
❷	15650-ZM0-801	1	Dipstick-Oil
❸	15625-ZE6-000	1	Gasket-Cap, Oil Filler
❹	15631-ZM0-000	1	Extension-Filler, Oil
❺	15639-ZM0-000	1	Washer-Lock, Extension
❻	16508-ZM0-010	1	Shaft-Holder, Governor
❼	16510-ZM0-010	1	Governor ASM
❽	16511-ZL8-000	2	Weight-Governor
❾	16512-ZM0-000	1	Holder-Weight, Governor
❿	16513-ZE1-000	2	Pin-Weight, Governor
⓫	16531-ZE1-000	1	Slider-Governor
⓬	16541-ZM0-000	1	Shaft-Arm, Governor
⓭	90014-952-000	1	Bolt-Flange (6X14)

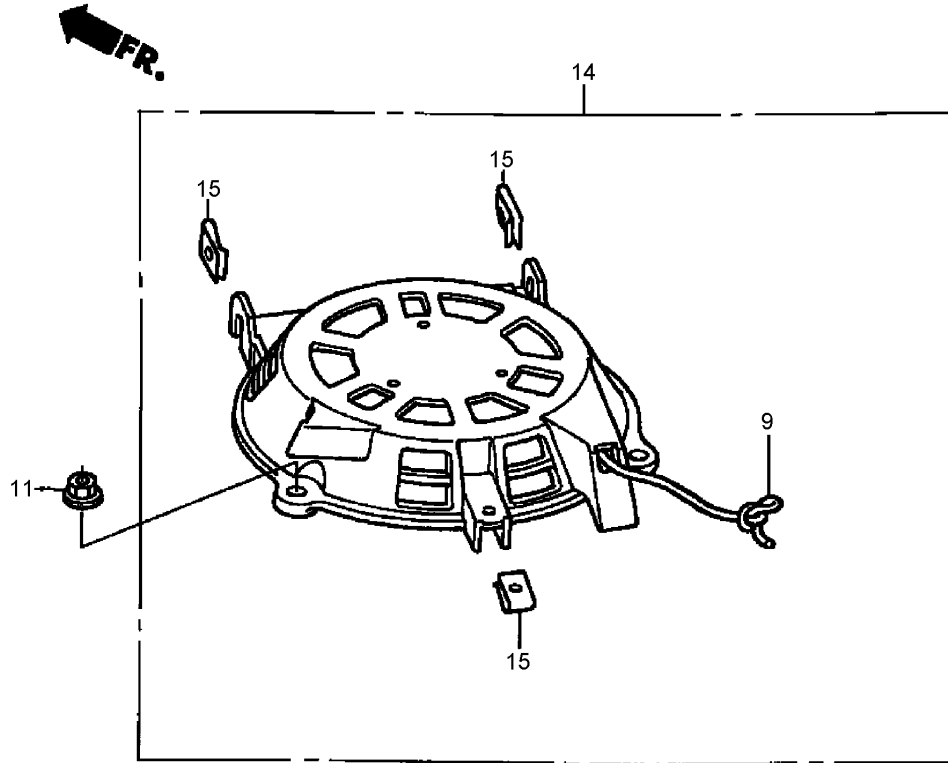
Ref	Part No.	Qty.	Description
❶❹	90121-952-000	8	Bolt-Flange (6X25)
❶❷	90451-ZE1-000	1	Washer-Thrust (6Mm)
❶❸	90602-ZE1-000	1	Clip-Holder, Governor
❶❹	91202-ZL8-003	1	Seal-Oil (28X41.25X6)
❶❺	91303-KF0-003	1	O-Ring (14.8X2.4) (Arai)
❶❻	91356-MA6-005	1	O-Ring
❶❼	94101-06800	1	Washer-Plain (6Mm)
❶❽	94251-08000	1	Pin-Lock (8Mm)
❶❾	94301-08200	2	Pin-Dowel (8X20)



Camshaft Pulley Assembly Honda GCV160A STL1

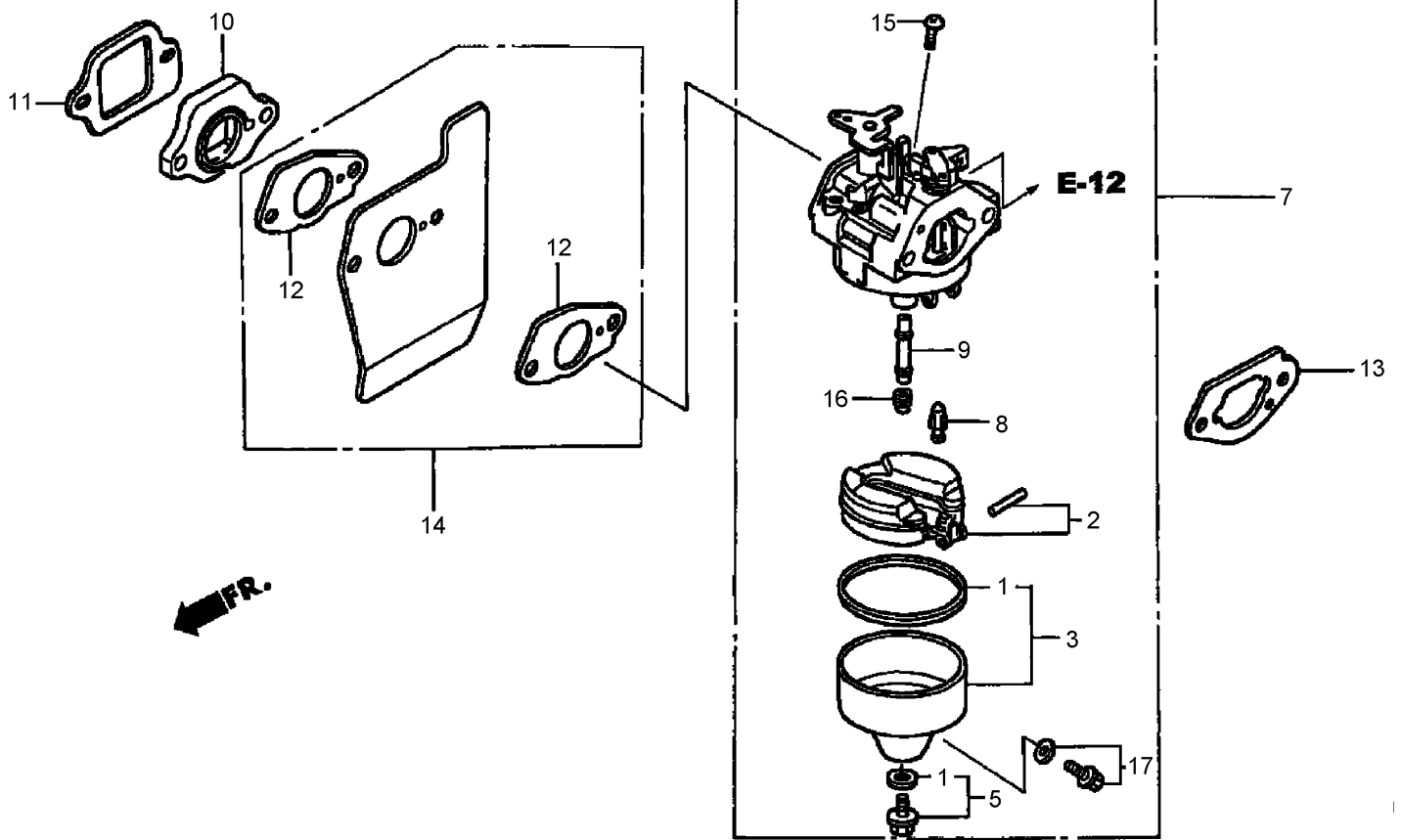
Ref	Part No.	Qty.	Description
❶	14320-ZL8-010	1	Pulley-Camshaft
❷	14324-ZL8-000	1	Shaft-Pulley
❸	14400-Z0J-014	1	Belt-Timing (84Hu7 G-200)
❹	14431-Z0J-000	1	Rocker Arm-Valve, Intake
❺	14441-Z0J-000	1	Rocker Arm-Valve, Exhaust
❻	14461-ZL8-000	2	Shaft-Arm, Rocker
❼	14711-Z0J-000	1	Valve-Intake
❽	14721-ZL8-000	1	Valve-Exhaust
❾	14751-ZL8-000	2	Spring-Valve
❿	14771-Z0J-000	2	Retainer-Spring, Valve
⓫	90012-333-000	2	Screw-Tappet, Adj.
⓬	90206-001-000	2	Nut-Tappet, Adj.
⓭	91301-ZM0-V31	1	O-Ring (6.8X1.9)

Ref	Part No.	Qty.	Description
⓮	12209-ZM0-003	1	Seal-Stem, Valve



Recoil Starter Assembly Honda GCV160A STL1

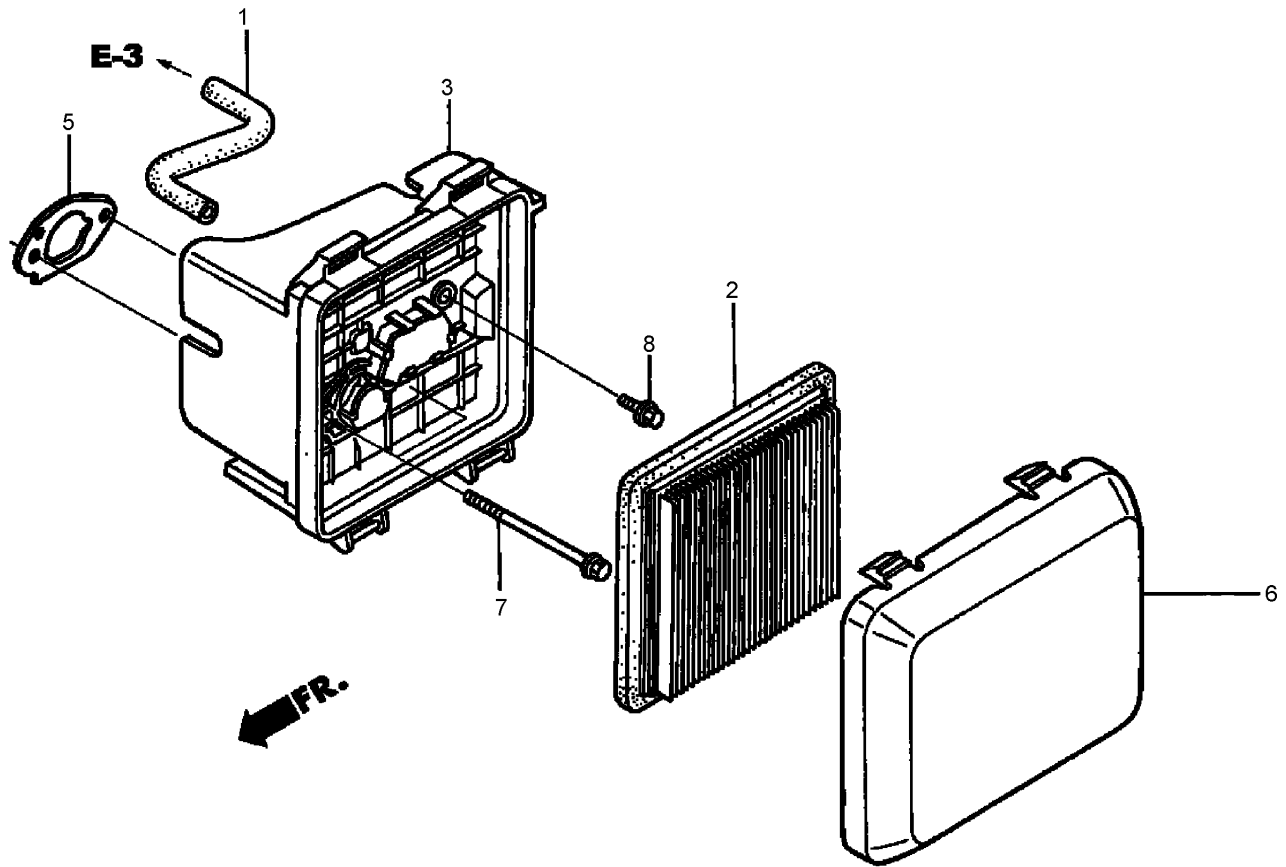
Ref	Part No.	Qty.	Description				
9	28462-Z0L-V71	1	Rope-Starter, Recoil				
11	90201-ZM0-000	3	Nut-Flange (6Mm)				
14	28400-Z0L-V72	1	Recoil Starter ASM				
15	66871-KY2-700	3	Nut-Cowl				



Carburetor Assembly Honda GCV160A STL1

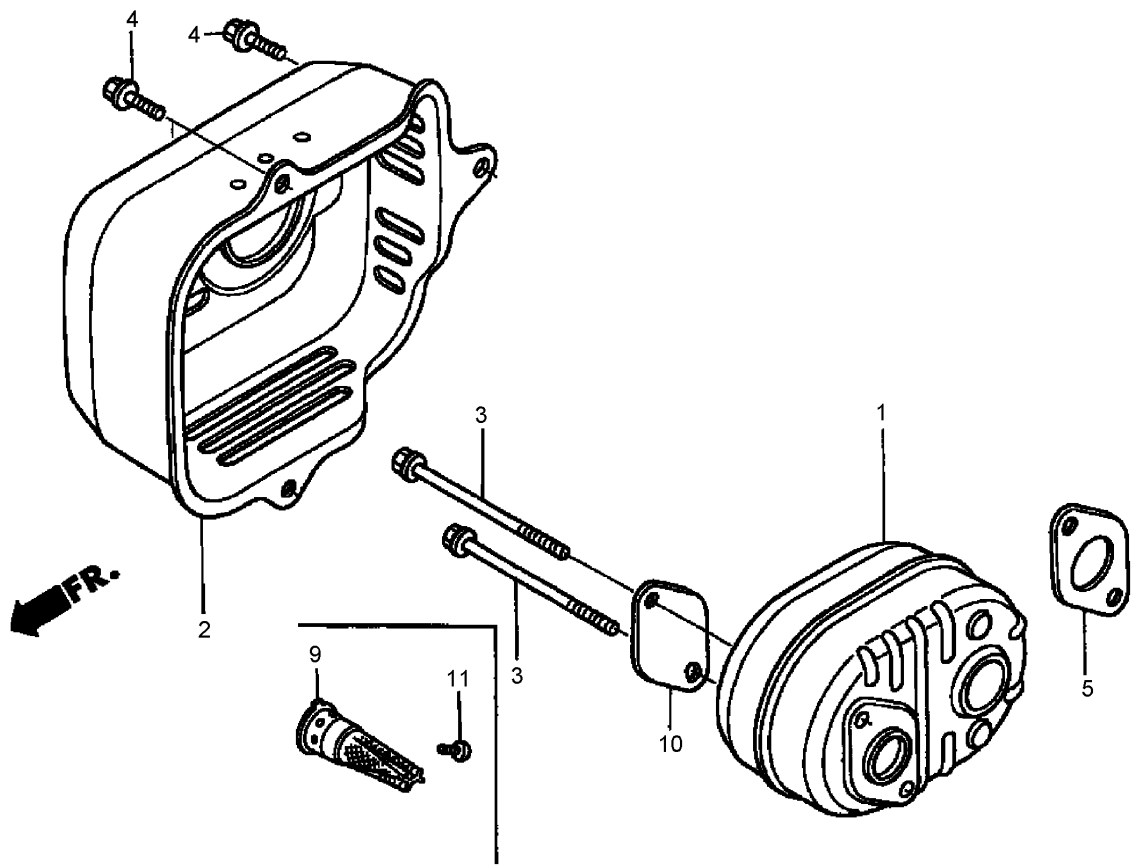
Ref	Part No.	Qty.	Description
●1	16010-883-015	1	Gasket Set
●2	16013-ZL1-003	1	Float Set
●3	16015-887-782	1	Chamber Set-Float
●5	16028-ZE0-005	1	Screw-Set
●7	16100-Z0L-802	1	Carburetor ASM (Bb62G B)
●8	16155-ZM0-013	1	Valve-Float (Carburetor No.)
●9	16166-ZM0-003	1	Nozzle-Main
●10	16211-ZL8-000	1	Insulator-Carburetor
●11	16212-ZL8-000	1	Gasket-Insulator
●12	16221-883-800	2	Gasket-Carburetor
●13	16228-ZL8-000	1	Gasket-Carburetor (Choke Side)
●14	19650-ZM0-000	1	Guide-Air
●15	93500-05006-0H	1	Screw-Pan (5X6)

Ref	Part No.	Qty.	Description
●16	99101-124-0600	1	Jet-Main (#60)
●16	99101-124-0620	1	Jet-Main (#62)
●16	99101-124-0650	1	Jet-Main (#65)
●17	16024-ZE1-811	1	Screw Set-Drain



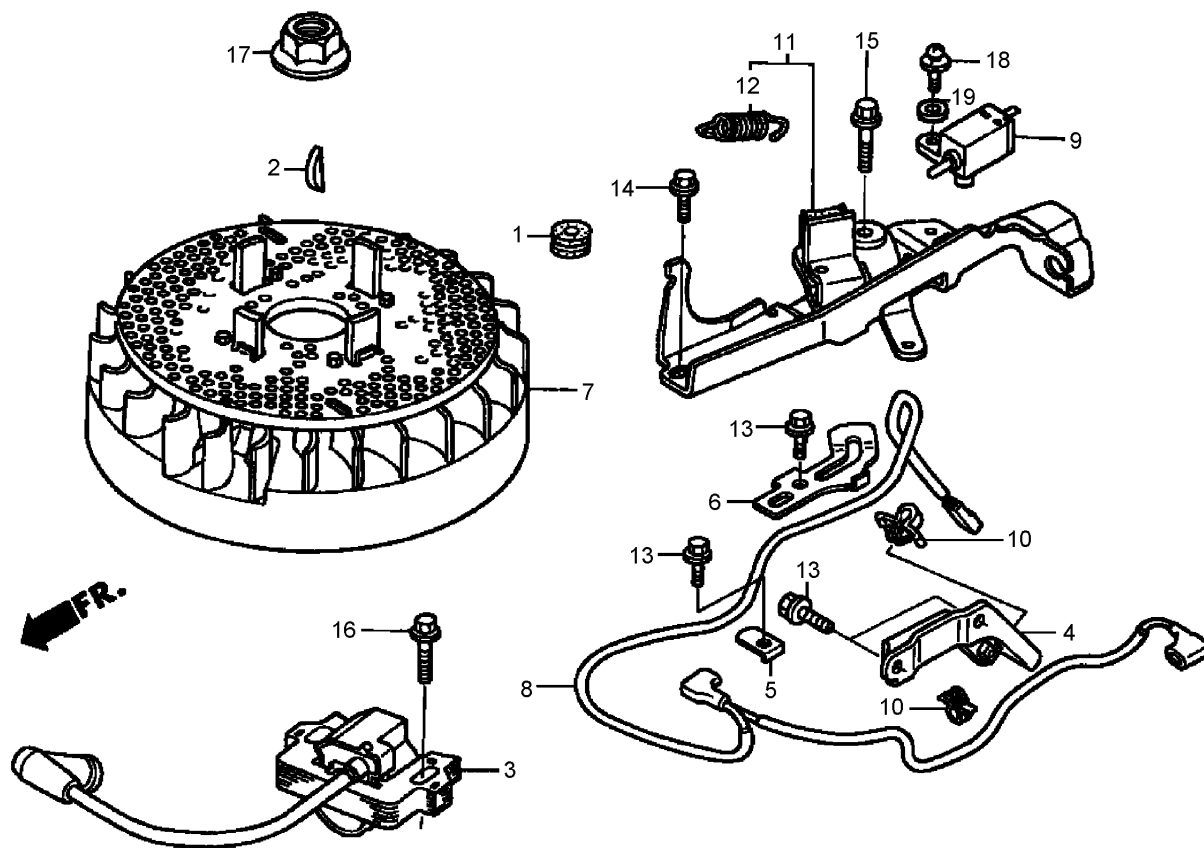
Air Cleaner Assembly Honda GCV160A STL1

Ref	Part No.	Qty.	Description				
❶	15721-ZM0-000	1	Tube-Breather				
❷	17211-ZL8-013	1	Element-Cleaner, Air				
❸	17220-ZM0-000	1	Air Cleaner Case ASM				
❺	17228-ZM0-000	1	Gasket-Cleaner, Air				
❻	17231-Z0L-030	1	Cover-Cleaner, Air				
❼	90003-ZM0-000	2	Bolt-Flange (6X86) (Ct200)				
❽	95701-06014-08	1	Bolt-Flange (6X14)				



Muffler Assembly Honda GCV160A STL1

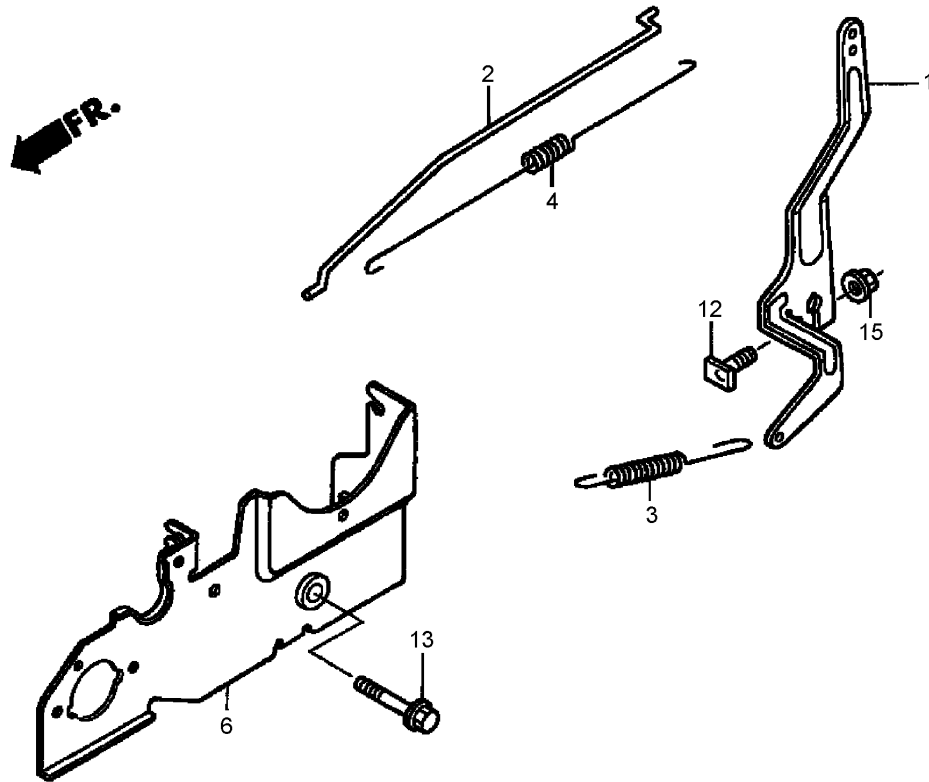
Ref	Part No.	Qty.	Description
❶	18310-ZM0-000	1	Muffler
❷	18321-Z0L-J00	1	Protector-Muffler (Cbu)
❸	90004-ZL8-000	2	Bolt-Flange (6X79) (Ct200)
❹	90013-883-000	3	Bolt-Flange (6X12) (Ct200)
❺	18381-ZL8-305	1	Gasket-Muffler
❾	18350-ZL8-000	1	Arrester-Spark
❿	18356-ZL8-000	1	Plate-Number, Arrester
⓫	90055-ZE1-000	1	Screw-Tapping (4X6)



Flywheel Assembly Honda GCV160A STL1

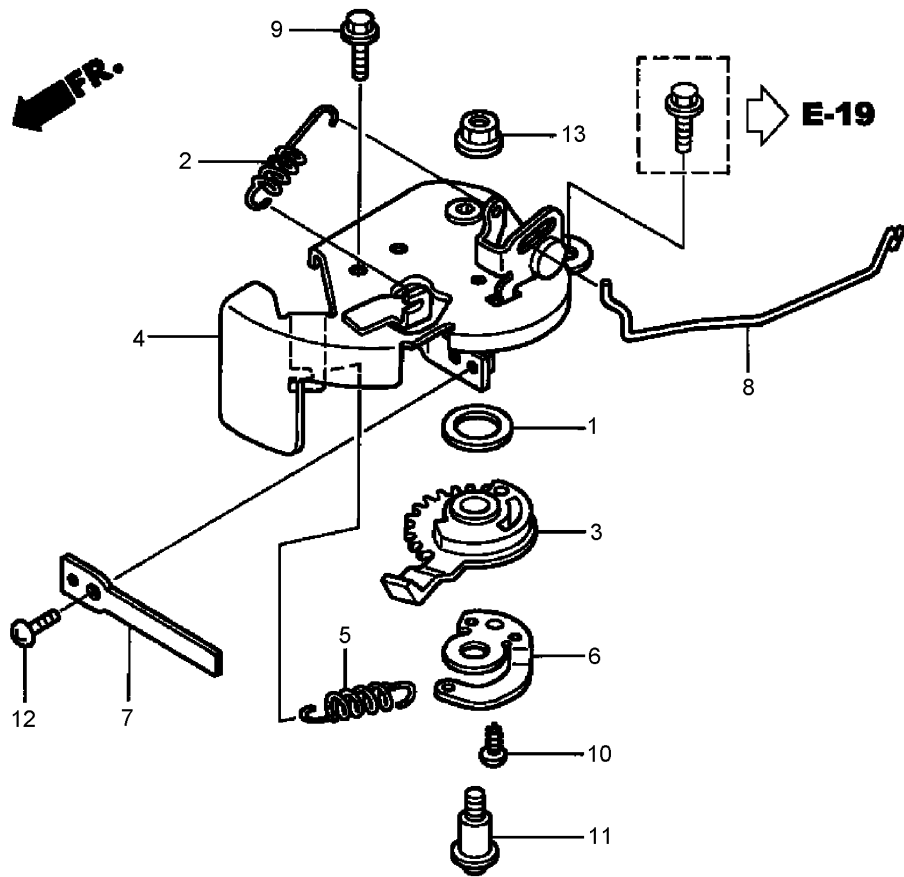
Ref	Part No.	Qty.	Description
❶	11344-MB0-000	1	Grommet-Cover, A-Rr
❷	13331-357-000	1	Key-Woodruff (25X18)
❸	30500-ZL8-004	1	Ignition Coil ASM
❹	30547-Z0L-S00	1	Clamp-Wire, Stop Switch
❺	30548-ZL8-000	1	Clamp-Wire, Stop Switch
❻	30549-ZL8-000	1	Clamp-Wire
❼	31105-ZM0-000	1	Flywheel ASM
❽	32195-Z0L-S00	1	Wire-Switch, Stop
❾	35120-ZM0-003	1	Engine Stop Switch ASM
❿	51125-Z0L-003	2	Holder-Wire
❿	90681-959-003	2	Clip-Cable (A)
⓫	75110-Z0L-800	1	Brake Sub ASM
⓬	75113-ZM0-000	1	Spring-Lever, Brake

Ref	Part No.	Qty.	Description
⓬	90013-883-000	4	Bolt-Flange (6X12) (Ct200)
⓭	90014-952-000	1	Bolt-Flange (6X14)
⓮	90018-ZE1-000	1	Bolt-Flange
⓯	90022-888-010	1	Bolt-Flange (6X20)
⓰	90201-878-003	1	Nut (14Mm)
⓱	93892-04012-00	1	Screw-Washer
⓲	94103-04000	1	Washer-Plain



Control Assembly Honda GCV160A STL1

Ref	Part No.	Qty.	Description
❶	16551-ZM0-010	1	Arm-Governor
❷	16555-Z0L-800	1	Rod-Governor
❸	16561-Z0L-000	1	Spring-Governor
❹	16562-ZM0-000	1	Spring-Return, Throttle
❻	16580-Z0L-810	1	Base-Control
❸❷	90015-ZE5-010	1	Bolt-Arm, Governor
❸❸	90016-ZE8-000	1	Bolt-Flange (6X45)
❸❹	94050-06000	1	Nut-Flange (6Mm)



Choke Base Assembly Honda GCV160A STL1

Ref	Part No.	Qty.	Description				
❶	16251-Z0L-800	1	Seal-Lever, Choke				
❷	16592-ZJ1-000	1	Spring-Return, Cable				
❸	16612-Z0L-800	1	Lever-Choke				
❹	16613-Z0L-800	1	Base-Choke				
❺	16614-Z0L-800	1	Spring-Lever, Choke				
❻	16616-Z0L-800	1	Hook-Spring, Choke				
❼	16619-Z0L-800	1	Plate-Choke				
❽	16632-Z0L-800	1	Rod-Stop				
❾	90029-888-000	1	Bolt-Flange (6X16)				
❿	90102-SP1-003	1	Screw-Tapping (4X8) (Po)				
⓫	90141-KT8-000	1	Screw-Pan (5X19)				
⓬	93500-04008-0H	1	Screw-Pan (4X8)				
⓭	94050-05000	1	Nut-Flange (5Mm)				

Attachments and Accessories

For 10694 - Insight Gold Lawn Mower

Product Name	Model/Part
Lawn Boy Paint	110-8800
Height-of-Cut Kit	110-8801
Replacement Bag	89815
Rear Bag Kit	89913
21 Inch Blade	89914
Air Filter	89928
Spark Plug	89947
Cup Holder	89951

NOTES

NOTES

