



Commercial Walk-Behind Mower Fixed Deck Pistol Grip Gear with 48in TURBO FORCE[®] Cutting Unit

Model No. 30688 - 270000001 and up.

Parts Catalog

Ordering Replacement Parts

To order replacement parts, please supply the part number, the quantity, and the description of each part desired.

Understanding Reference Numbers

Each Identified part in an illustration has a reference number. The reference number for a part also appears in the parts list, along with other information about the part.

This catalog uses two special reference number formats, one to indicate parts in a service assembly and another to indicate the quantity of a given part in an illustration.

Service Assembly Reference Numbers

Parts in service assemblies have reference numbers in the form a:b. The a represents the reference number of the entire service assembly and the b represents a sequential number unique to each part within the service assembly.

For example, a wheel assembly might be identified by reference number 6, the tire by 6:1, the valve by 6:2, and the wheel by 6:3. When you order the assembly identified by reference number 6, you receive all parts identified by reference numbers 6:1, 6:2, and 6:3. However, you may also order any part individually. Reference numbers of this type appear in illustrations and in part lists.

Reference Numbers Indicating Quantity

In an illustration, if a reference number indicates more than one part, the reference number has the form nX y. The n represents the quantity of the part, the X is the multiplication symbol, and the y represents the reference number.

For example, in an illustration, the reference number 2X 37 means that two of the parts identified by reference number 37 are indicated.

Contents

Description	Page	Description	Page
Engine and Fuel Tank Assembly	3	Lubrication Equipment Assembly Kawasaki FH430V-CS25	20
Transmission Drive Assembly	4	Cooling Equipment Assembly Kawasaki FH430V-CS25	21
Drive Wheel and Brake Assembly	6	Electric Equipment Assembly Kawasaki FH430V-CS25	22
Handle and Control Assembly	8	Control Equipment Assembly Kawasaki FH430V-CS25	23
Handle Assembly No. 110-6906	10	Carburetor Assembly Kawasaki FH430V-CS25	24
Deck Assembly	11	Air Filter and Muffler Assembly Kawasaki FH430V-CS25	25
Deck Assembly No. 110-4909	12	Fuel Tank and Valve Assembly Kawasaki FH430V-CS25	26
Deflector Assembly No. 110-0758	13	Starter Assembly Kawasaki FH430V-CS25	27
Sheave, Spindle and Blade Assembly	14	Label Assembly Kawasaki FH430V-CS25	28
Idler Assembly	15	Attachments and Accessories List	29
Caster Assembly	16		
Cylinder and Crankcase Assembly Kawasaki FH430V-CS25	17		
Piston and Crankshaft Assembly Kawasaki FH430V-CS25	18		
Valve and Camshaft Assembly Kawasaki FH430V-CS25	19		

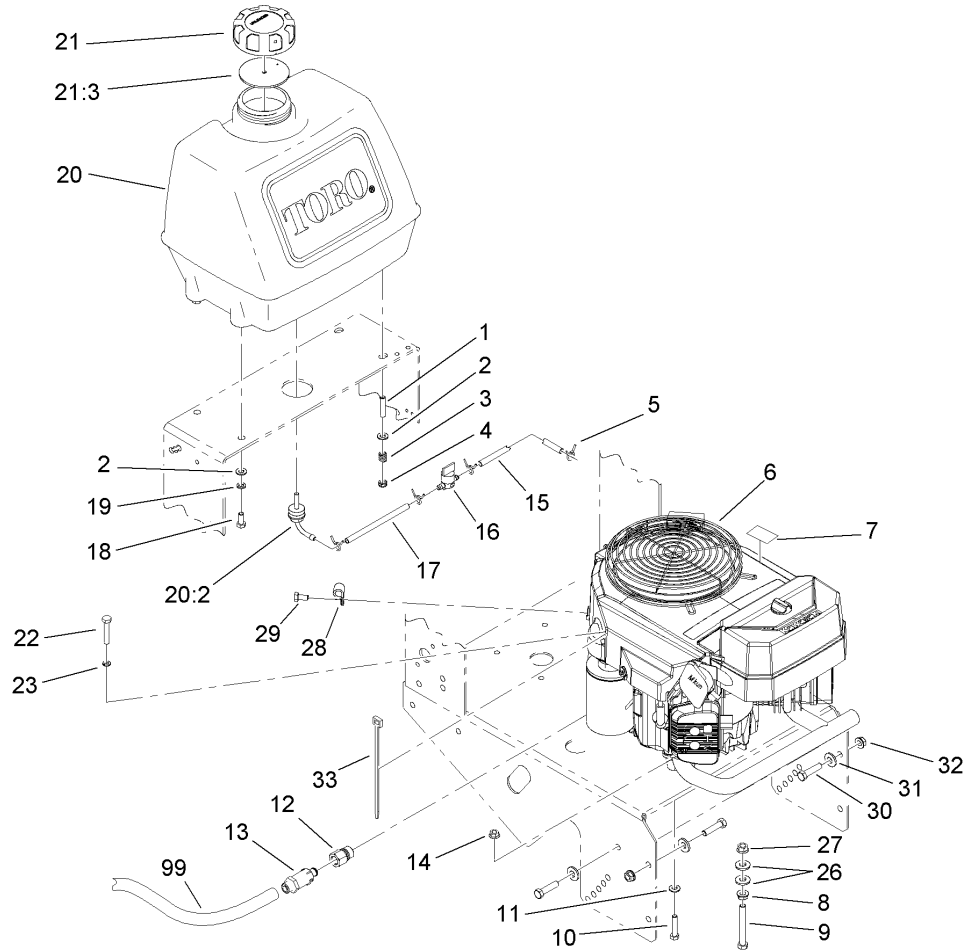
Part Description Abbreviations

Part descriptions in this catalog may include the following abbreviations.

AR. as required	HYD. hydraulic
ASM. assembly	LH. left hand
BBC. blade brake clutch	NI. nylon insert
CARR. carriage	NPTF. national pipe thread fine
DEG. degrees	PFH. phillips flat head
EXT. external	PPH. phillips pan head
FH. flat head	PPHTF. phillips pan head thread forming
GA. gauge	PRH. phillips round head
HD. heavy-duty	PTH. phillips truss head
HF. hex flange	PTO. power-take-off
HH. hex head	RH. right hand
HHF. hex head flange	ROPS. roll-over protection system
HHFTF. hex head flange thread forming	SFH. slotted fillister head
HJ. hex jam	SHH. slotted hex head
HLH. hex lag head	SHWH. slotted hex washer head
HOC. height-of-cut	SPH. slotted pan head
HSBH. hex socket button head	SQH. square head
HSFH. hex socket flat head	SRH. slotted round head
HSH. hex socket head	STD. standard
HWH. hex washer head	TAP. self tapping
HWHTF. hex washer head thread forming	TTH. torx truss head

Footnotes

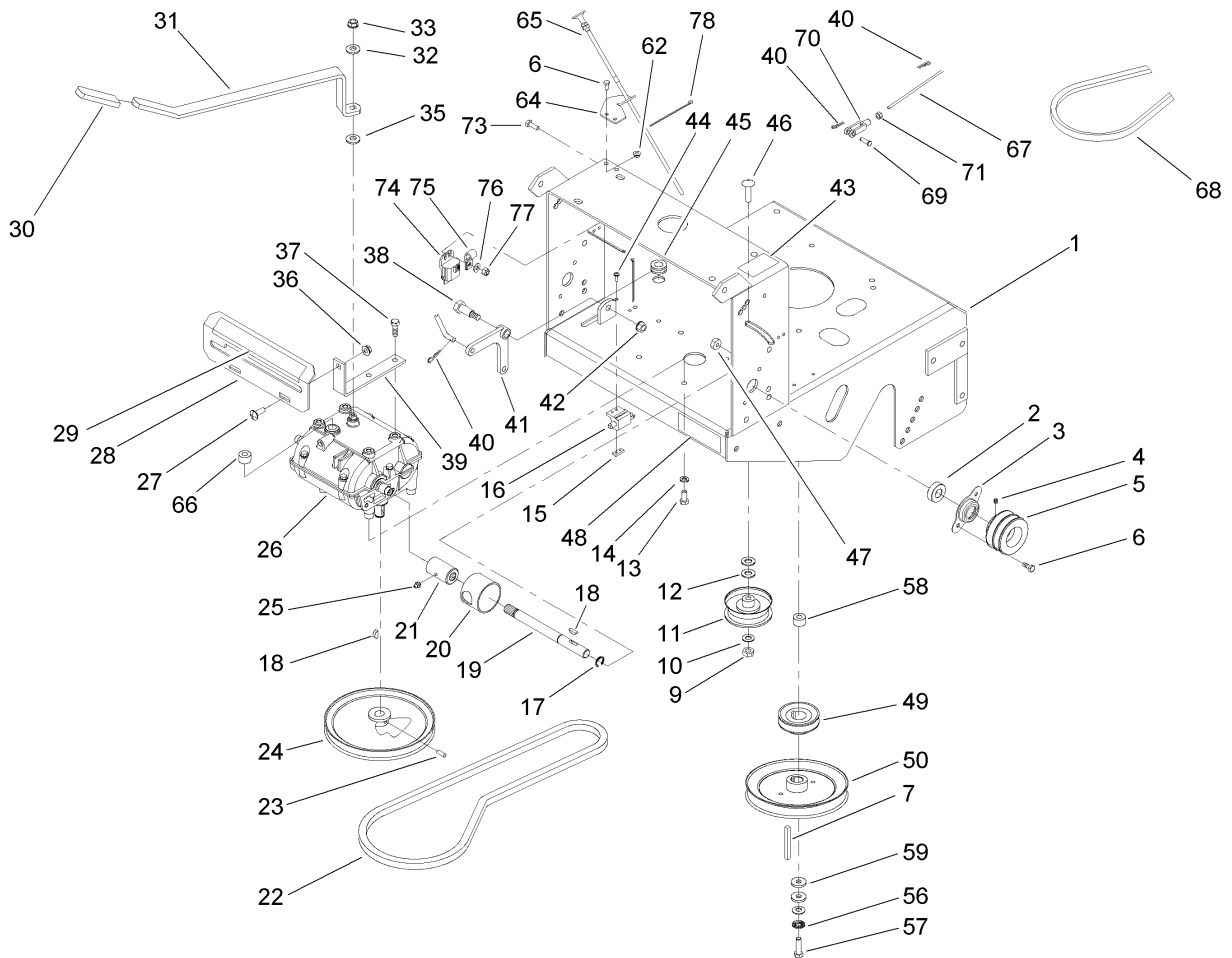
- | | |
|---|--|
| ❶ Not illustrated | ❷ Not serviced separately |
| ❸ Obtain parts from Peerless Transmissions (model 700-070A) | ❹ Obtain from your local Kawasaki dealer |



Engine and Fuel Tank Assembly

Ref	Part No.	Qty.	Description
1	1-633023	2	Stud
2	3256-23	4	Washer-Flat
3	1-633349	2	Spring-Tank, Fuel
4	3296-47	2	Nut-Lock, NI
5	1-303077	4	Clamp
6		1	Engine-Kawasaki, FH430V-Cs25
7	106-0699	1	Decal-Warning
8	3290-357	1	Nut-HHF, Whiz
9	323-14	1	Screw-HH
10	322-7	4	Screw-HH
11	1-303334	4	Washer-Spring
12	103-1966	1	Adapter
13	92-6877	1	Valve-Drain, Oil
14	32128-20	4	Nut-HF
15	109-0293	1	Hose-Fuel
16	1-603770	1	Valve-Fuel
17	109-0306	1	Hose-Fuel
18	322-3	2	Screw-HH
19	1-805005	2	Washer-Lock
20	106-0730	1	Fuel Tank ASM
20:2	103-2605	1	Fitting-Fuel, Bulkhead
21	88-3980	1	Gas Cap ASM
21:3	88-4010	1	Gasket-Cap, Gas
22	33113-016	1	Screw-HH

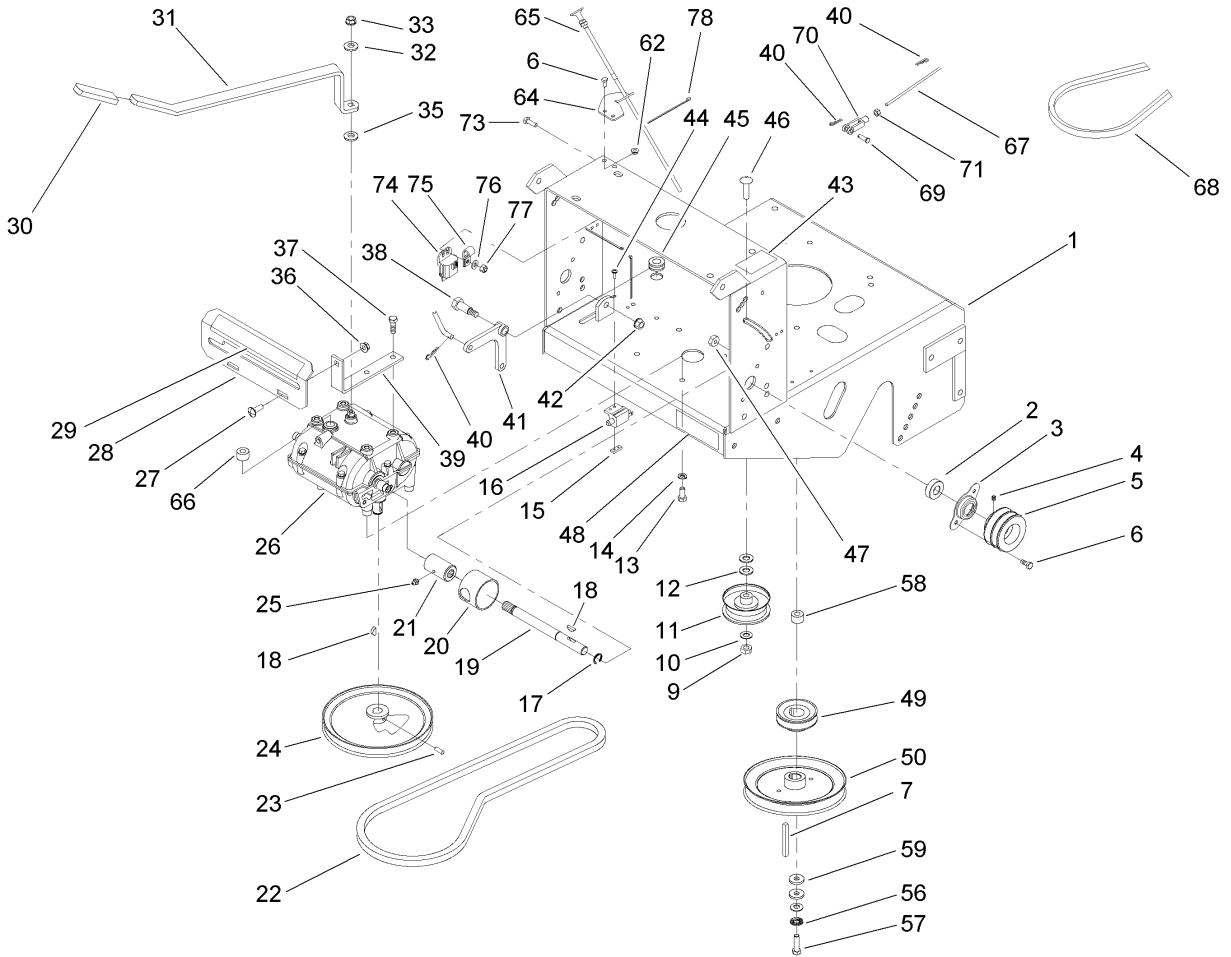
Ref	Part No.	Qty.	Description
23	1-805004	1	Washer-Lock
26	98-5975	2	Washer-Belleville
27	32128-21	1	Nut-HF
28	1-413510	1	Clip-Loom
29	33114-016	1	Screw-HH
30	323-8	8	Screw-HH
31	98-5975	8	Washer-Belleville
32	3290-357	8	Nut-HHF, Whiz
33	1-303335	1	Tie-Plastic
99	103-1964	1	Hose-Drain, Oil



Transmission Drive Assembly

Ref	Part No.	Qty.	Description
1	103-9897-01	1	Deck-Engine
2	1-323252	2	Bearing-Shaft
3	1-323254	2	Flange-Output
4	1-803310	2	Screw-Set
5	103-6511	2	Sheave-Transmission
6	321-3	6	Screw-HH
7	103-4177	1	Key
9	3296-39	1	Nut-Lock, NI
10	3256-24	1	Washer-Flat
11	1-323285	1	Idler-Drive, Transmission
12	3256-5	2	Washer-Flat
13	322-3	4	Screw-HH
14	1-805005	4	Washer-Lock
15	1-633181	1	Plate-Tapped
16	1-513051	1	Switch-Open, Normally
17	32151-62	2	Ring-Retaining
18	3257-5	3	Key-Woodruff
19	1-323502	2	Shaft-Transmission
20	51-4220	2	Guard-Coupler
21	1-323680	2	Coupler
22	1-323630	1	V-Belt
23	3245-41	2	Screw-HSH
24	1-323278	1	Sheave-Transmission
25	302-19	2	Fitting-Grease

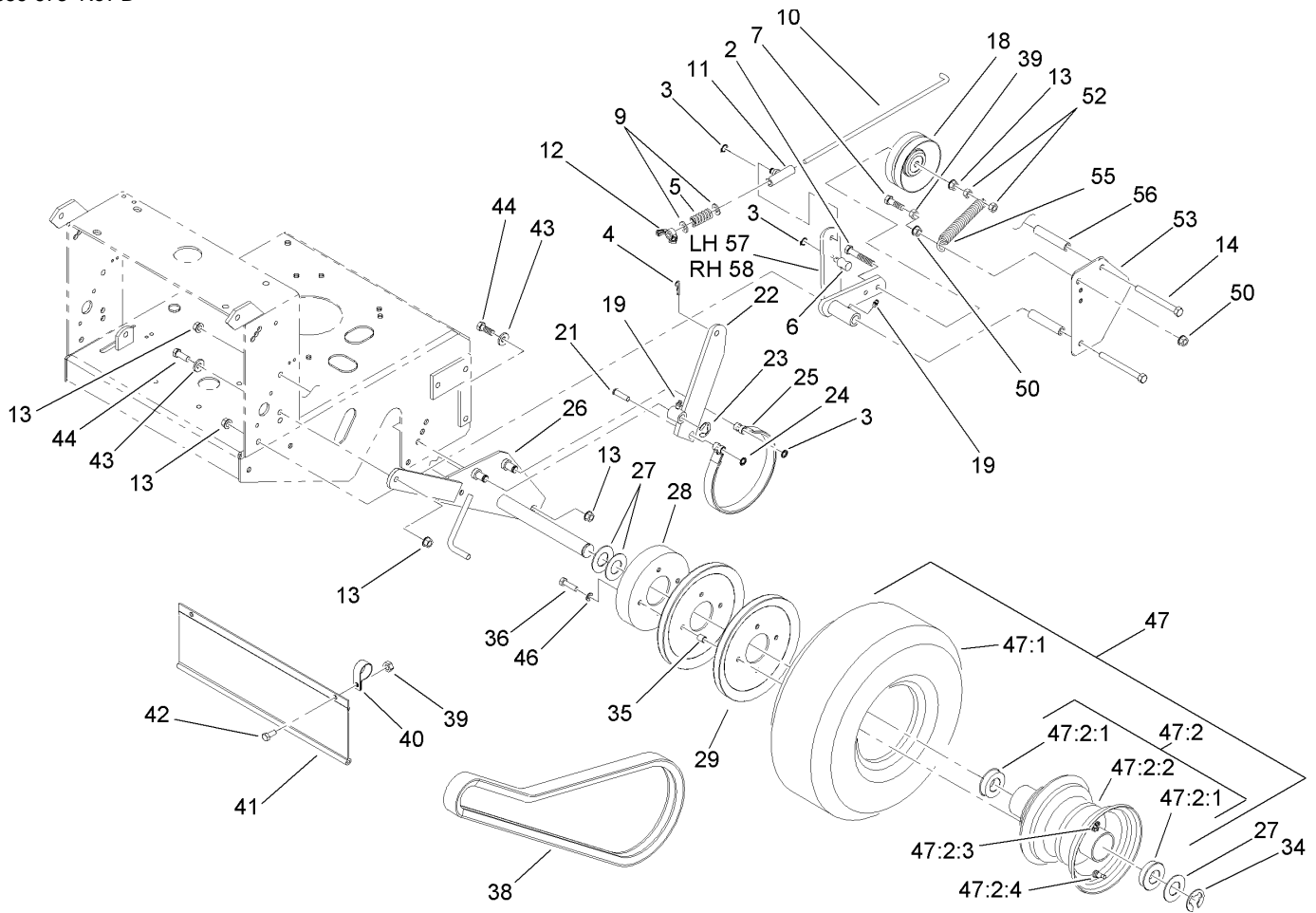
Ref	Part No.	Qty.	Description
26	1-323500	1	Transmission
27	3230-1	2	Bolt-CARR
28	1-323387-03	1	Plate-Shift
29	105-4104	1	Decal-Speed, Ground
30	1-303020	1	Grip-Lever
31	98-3274-03	1	Lever-Shift
32	98-5975	1	Washer-Belleville
33	3296-6	1	Nut-Lock
35	1-323379	1	Washer
36	32128-20	2	Nut-HF
37	9264964	4	Screw-HWH, Thread Cut
38	1-603403	1	Bolt-Shoulder
39	1-323389-03	2	Bracket-Plate, Shift
40	1-806003	3	Pin-Hair
41	1-303186	1	Bellcrank
42	32128-21	1	Nut-HF
43	95-2814	1	Decal-Shut Off, Fuel
44	3290-500	2	Screw-PPH
45	1-543296	1	Grommet
46	3231-6	1	Screw-CARR
47	3296-42	4	Nut-Lock, NI
48	98-0776	1	Decal-Caution
49	103-1666	1	Sheave-Transmission
50	110-4890	1	Pulley ASM



Transmission Drive Assembly (continued)

Ref	Part No.	Qty.	Description
56	1-603610	2	Washer-Spring
57	3212-6	1	Screw-HH
58	1-633453	1	Spacer-Clutch
59	1-373034	2	Washer
62	32128-33	2	Nut-HF
64	103-1797-01	1	Bracket-Cable, Choke
65	103-1796	1	Cable-Choke
66	1-303282	1	Switch-Start, Neutral
67	1-323303	1	Linkage-Arm
68	110-0543	1	Belt-V
69	1-808280	1	Pin-Clevis
70	1-303105	1	Yoke-Adjustable
71	3219-2	1	Nut-Hex
73	321-4	1	Screw-HH
74	1-323430	1	Module-Interlock
75	1-323229	1	Clip-Loom
76	3256-22	1	Washer-Flat
77	3296-42	1	Nut-Lock, NI
78	1-303335	3	Tie-Plastic

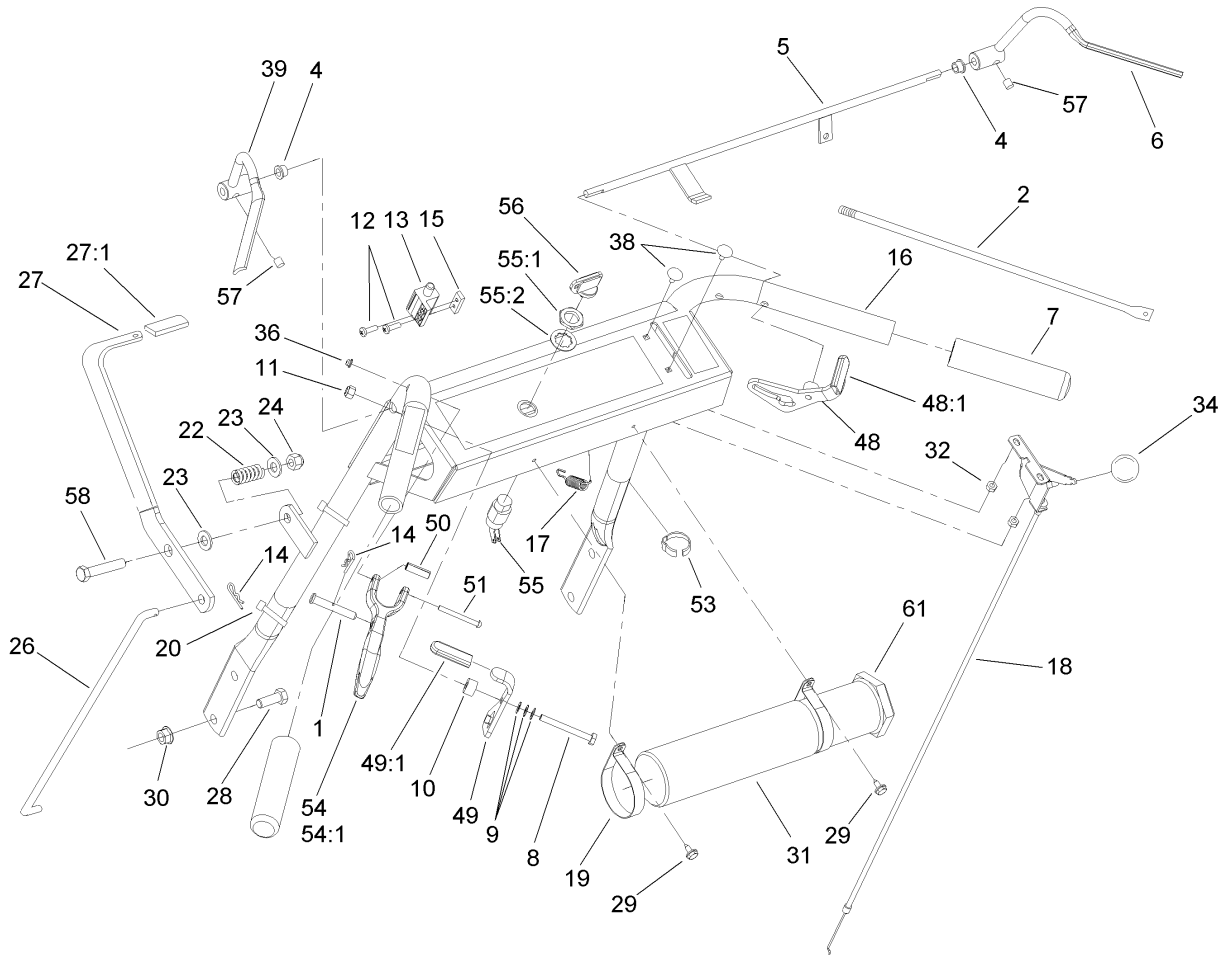
--	--	--	--



Drive Wheel and Brake Assembly

Ref	Part No.	Qty.	Description
2	99-8664	2	Screw-HH
3	32151-47	6	Ring-Retaining
4	1-806003	2	Pin-Hair
5	1-323245	2	Spring-Compression
6	103-1864	2	Swivel-Lever, Drive
7	322-6	2	Screw-HH
9	3256-23	4	Washer-Flat
10	1-323548	2	Linkage-Brake
11	110-5866	2	Swivel-Brake
12	1-513959	2	Wingnut-Nylock
13	3290-357	10	Nut-HHF, Whiz
14	323-39	4	Screw-HH
18	1-323277	2	Idler-Wheel, Drive
19	302-19	2	Fitting-Grease
21	1-323307	2	Pin-Clevis
22	103-1611-03	2	Arm-Brake
23	32120-47	2	Ring-Retaining, External
24	1-803051	2	Nut-Push
25	1-323262	2	Band-Brake
26	1-322117-03	1	Axle
27	1-523157	6	Washer-Spacer
27	1-543436	8	Washer-Spacer, 18 GA
28	1-323261	2	Drum-Brake
29	1-323253	4	Sheave-Wheel, Drive

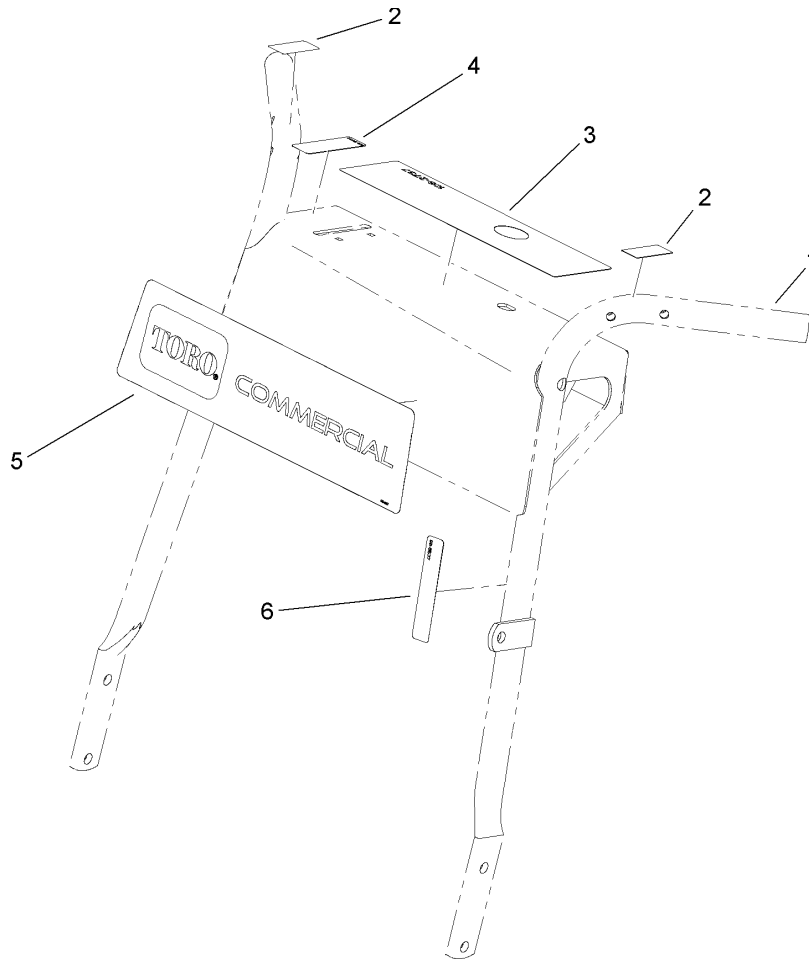
Ref	Part No.	Qty.	Description
34	1-808519	2	Ring-Snap
35	1-323260	8	Spacer-Sheave, Wheel
36	322-6	8	Screw-HH
38	1-323631	2	V-Belt
39	3296-29	4	Nut-Lock, NI
40	2412-104	2	R-Clamp
41	98-3259	1	Shield-Trailing
42	322-3	2	Screw-HH
43	98-5975	4	Washer-Belleville
44	323-6	4	Screw-HH
46	1-805005	8	Washer-Lock
47	1-323719	2	Wheel And Tire ASM
47:1	1-323720	1	Tire-Turfmaster
47:2	1-323328	1	Wheel And Hub ASM
47:2:1	1-323329	2	Bearing-Flanged
47:2:2		1	Rim ASM
47:2:3		1	Fitting-Grease
47:2:4		1	Stem-Valve
50	32128-20	4	Nut-HF
52	3296-39	4	Nut-Lock, NI
53	1-323287-01	2	Shield-Wheel, Drive
55	1-603402	2	Spring-Extension
56	1-323283	4	Spacer-Shield
57	103-1615-03	1	Arm-Idler, LH



Handle and Control Assembly

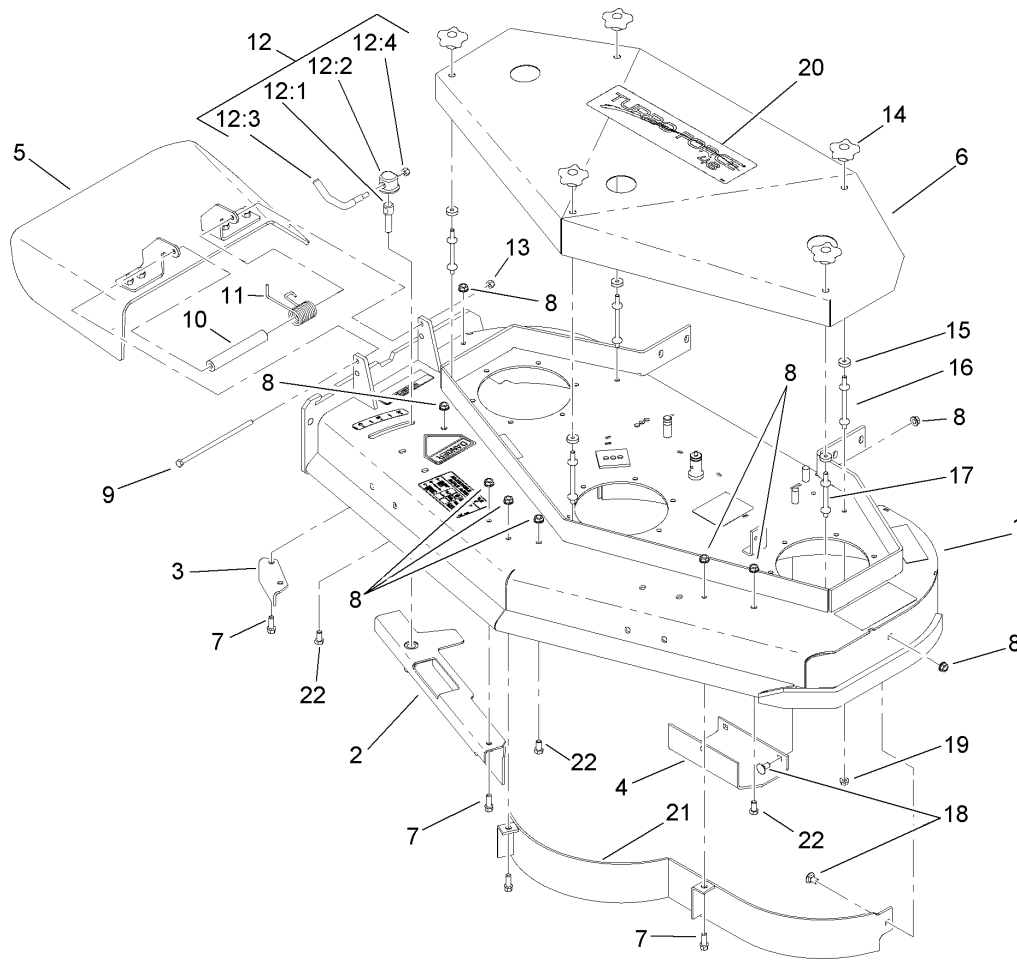
Ref	Part No.	Qty.	Description
1	1-808286	2	Pin-Clevis
2	1-323359	2	Linkage-Wheel, Drive
4	1-303365	2	Bushing-Nylon
5	106-2717-03	1	Rod-Control, Operator Presence
6	106-5486	1	RH Operator Presence Control Lever ASM
7	104-9838	2	Grip-Foam
8	321-18	2	Screw-HH
9	1-303435	6	Washer-Spring
10	1-323549	2	Spacer
11	3296-42	2	Nut-Lock, NI
12	3290-500	2	Screw-PPH
13	1-513051	1	Switch-Open, Normally
14	1-806003	3	Pin-Hair
15	1-633181	1	Plate-Tapped
16	110-6906	1	Handle ASM
17	1-303363	1	Spring-Extension
18	1-633696	1	Throttle Cable ASM
19	2412-120	2	R-Clamp
20	1-303287	2	Tie-Plastic
22	1-303160	1	Spring-Compression
23	3256-4	2	Washer-Flat
24	3296-39	1	Nut-Lock, NI
26	1-323298	1	Linkage-Blade, Upper

Ref	Part No.	Qty.	Description
27	1-322157	1	Lever ASM
27:1	1-303020	1	Grip-Lever
28	3234-11	4	Screw-HHF
29	32104-76	2	Screw
30	32128-21	4	Nut-HF
31	104-7050	1	Housing-Manual
32	3296-2	2	Nut-Lock
34	1-513592	1	Knob-Ball
36	1-803001	2	Nut
38	1-807513	2	Bolt-CARR
39	106-5485	1	LH Operator Presence Control Lever ASM
48	1-324280	1	RH Thumb Latch ASM
48:1	1-303019	1	Grip-Latch
49	1-324279	1	LH Thumb Latch ASM
49:1	1-303019	1	Grip-Latch
50	1-806340	2	Pin-Roll
51	1-808250	2	Pin-Lever, Drive
52	103-1610	1	Harness-Wiring
53	1-303088	1	Clip-Cable
54	1-302006	2	Drive Lever ASM
54:1	1-303021	1	Grip-Lever, Drive
55	29-5560	1	Switch-On / Off
55:1	218-461	1	Nut-HH



Handle Assembly No. 110-6906

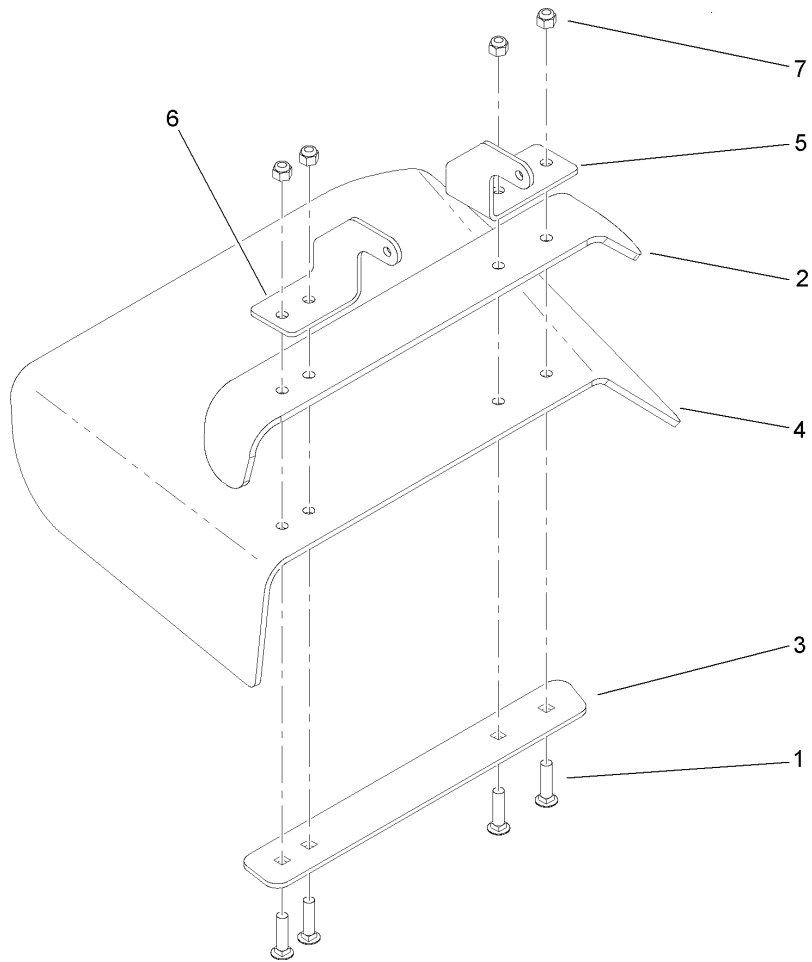
Ref	Part No.	Qty.	Description
①		1	Handle ASM
2	105-4111	2	Decal-Lock, Neutral
3	106-2737	1	Decal-Warning
4	106-2733	1	Decal-Throttle
5	110-6917	1	Decal
6	95-5537	1	Decal-Engage, Deck



Deck Assembly

Ref	Part No.	Qty.	Description
1	110-4909	1	Deck ASM
2	110-0533-03	1	Baffle-Adjustable
3	110-0744-01	1	Baffle-Discharge
4	107-3166-01	1	Skid
5	110-0758	1	Deflector ASM
6	110-2119-01	1	Cover
7	92-1624	5	Screw
8	3290-357	12	Nut-HHF, Whiz
9	322-50	1	Screw-HH
10	105-4622	1	Spacer
11	104-8554	1	Spring-Torsion
12	107-1664	1	Lever ASM
12:1	106-3239	1	Screw-Lock
12:2	107-1644	1	Cap-Lock
12:3	106-3241	1	Lever-Lock
12:4	3296-29	1	Nut-Lock, NI
13	3296-29	1	Nut-Lock, NI
14	106-4161	5	Knob-Handle
15	1-323417	5	Washer
16	1-303536	3	Stud-Shield, Belt (Long)
17	1-303537	2	Stud-Shield, Belt (Short)
18	3231-1	7	Screw-CARR
19	32128-20	5	Nut-HF
20	110-6920	1	Decal

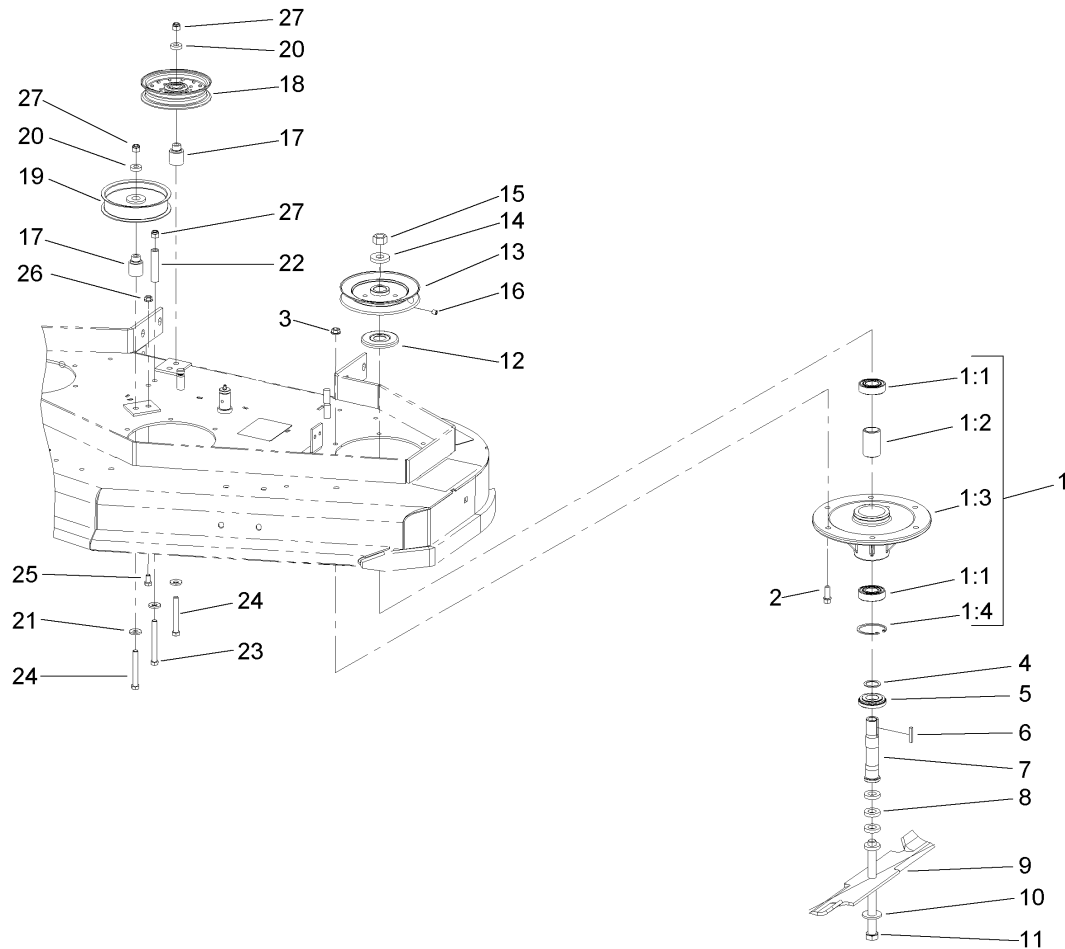
Ref	Part No.	Qty.	Description
21	110-0735-03	1	Baffle ASM
22	323-4	3	Screw-HH



Deflector Assembly No. 110-0758

Ref	Part No.	Qty.	Description
1	3231-4	4	Screw-CARR
2	106-3246-01	1	Deflector
3	106-3248-03	1	Strap-Discharge
4	110-0759	1	Deflector-Rubber
5	107-4197-01	1	Bracket-Hinge, Rear
6	107-4196-01	1	Bracket-Hinge, Front
7	3296-39	4	Nut-Lock, NI

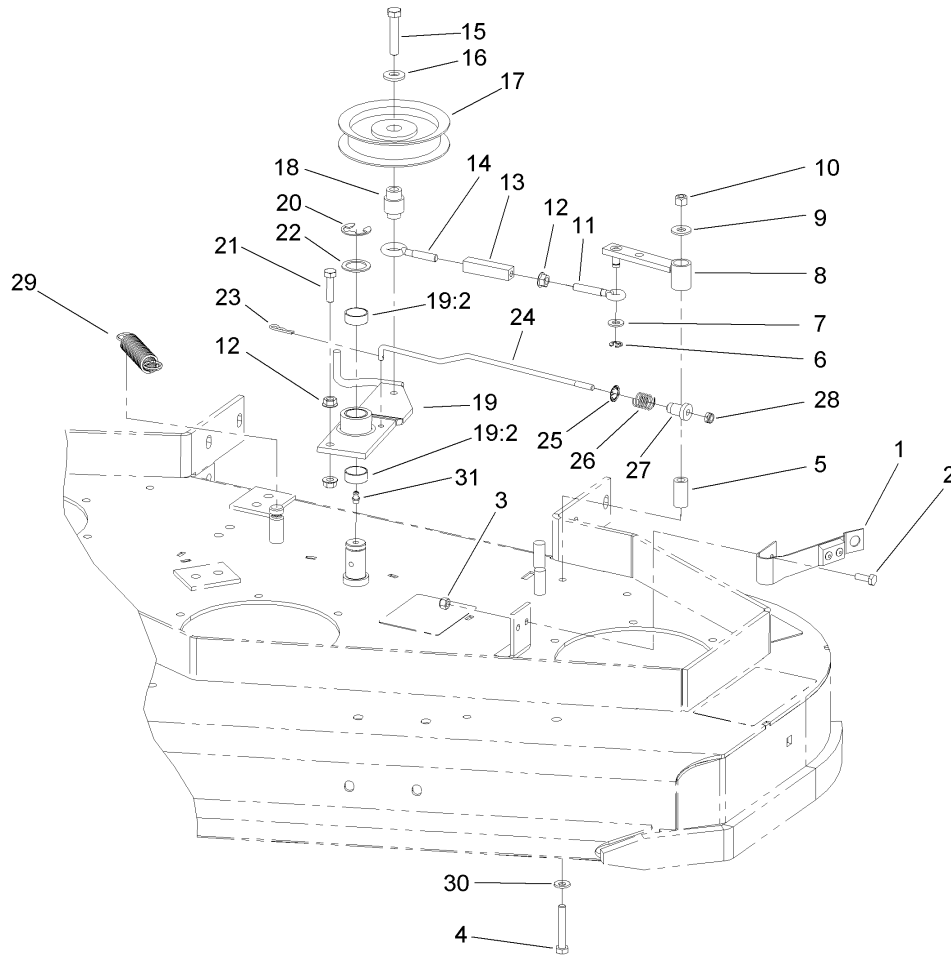
Ref	Part No.	Qty.	Description



Sheave, Spindle and Blade Assembly

Ref	Part No.	Qty.	Description
1	108-6697	3	Spindle Housing ASM
1:1	110-2118	2	Bearing
1:2	110-2116	1	Spacer-Bearing
1:3	108-6694	1	Housing-Spindle
1:4	32120-8	1	Ring-Snap
2	92-1624	18	Screw
3	3290-357	18	Nut-HHF, Whiz
4	110-4888	3	Washer-Spacer
5	103-2535	3	Spacer-Guard, Bottom
6	1-807267	3	Key
7	1-323529	3	Tube-Spindle, Short
8	1-323539	12	Spacer
9	107-3192-03	3	Blade-Rotary, 16.5 Inch (High Flow)
10	1-513208	3	Washer-Spring
11	1-800861	3	Screw-Cap, HH
12	103-1330	3	Guard-Bearing, Top
13	1-403183	3	Sheave
14	1-323339	3	Washer-Retainer, Sheave
15	3219-6	3	Nut-Hex
16	1-803310	3	Screw-Set
17	1-403184	2	Bushing-Idler
18	1-403186	1	Idler-Pulley, Flat
19	1-613098	1	Pulley-Idler

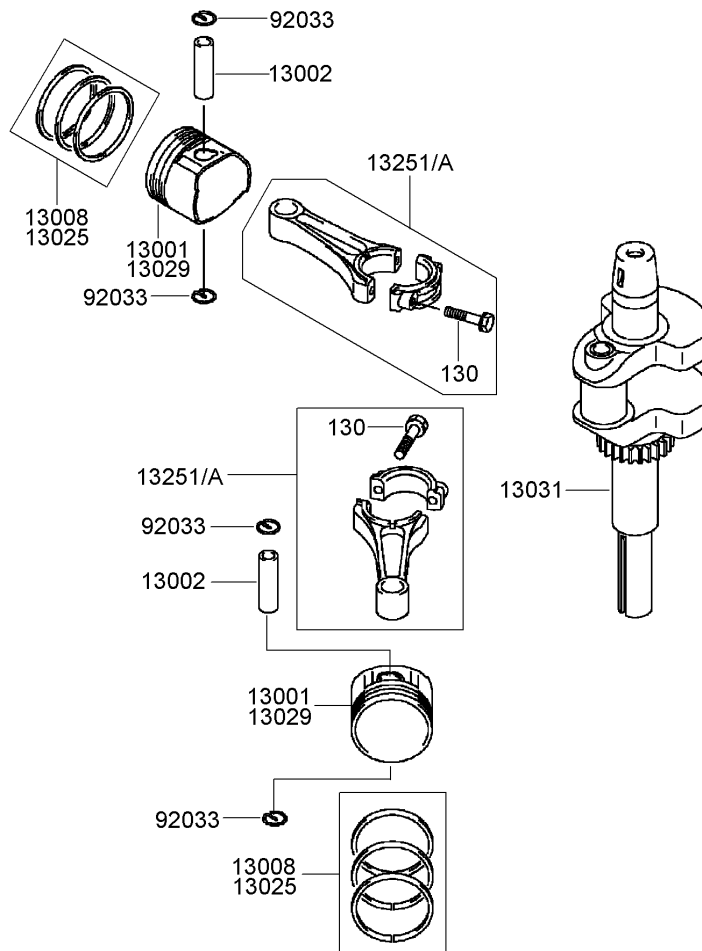
Ref	Part No.	Qty.	Description
20	5-0652	2	Spacer
21	98-5975	3	Washer-Belleville
22	1-403188	1	Spacer
23	323-15	1	Screw-HH
24	323-14	2	Screw-HH
25	322-2	1	Screw-HH
26	32128-20	1	Nut-HF
27	3296-39	3	Nut-Lock, NI



Idler Assembly

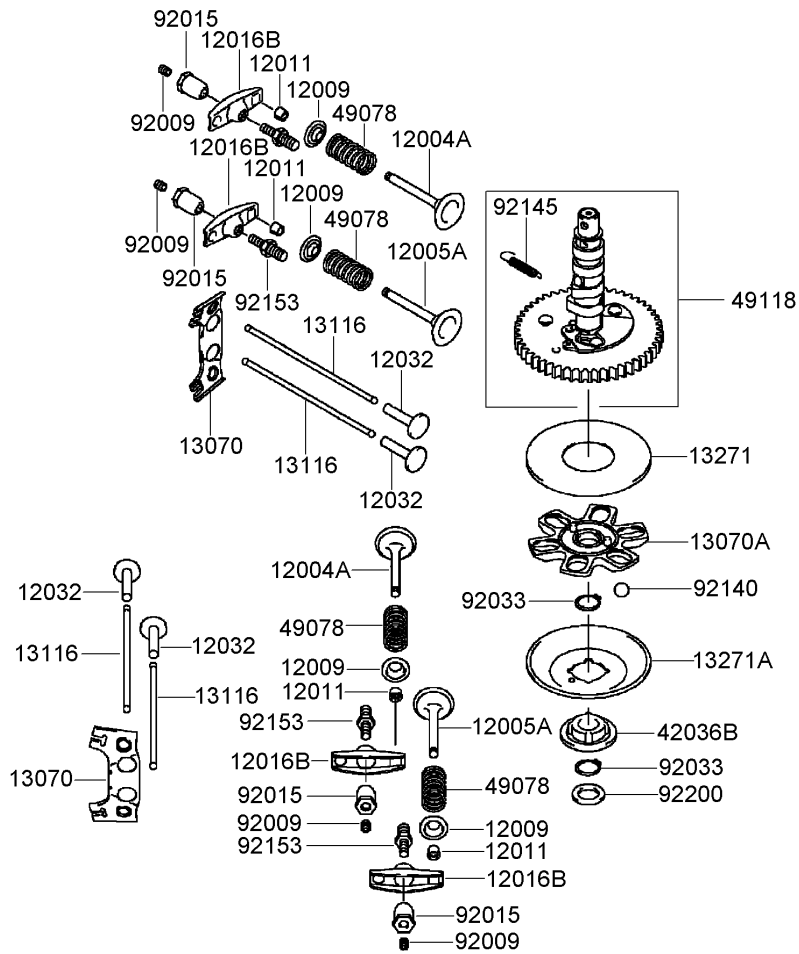
Ref	Part No.	Qty.	Description
1	1-324372	1	Pad And Spring ASM
2	321-4	2	Screw-HH
3	3296-42	2	Nut-Lock, NI
4	322-10	1	Screw-HH
5	1-403179	1	Tube-Pivot
6	32120-35	1	Ring-Retaining, EXT
7	3256-23	1	Washer-Flat
8	1-322235	1	Arm-Assist
9	3256-3	1	Washer-Flat
10	3296-29	1	Nut-Lock, NI
11	1-303238	1	Eyebolt-Thread, RH
12	32128-20	3	Nut-HF
13	1-303236	1	Body-Turnbuckle
14	1-303348	1	Eyebolt-Thread, LH
15	702809	1	Screw-Cap
16	98-5975	1	Washer-Belleville
17	1-603843	1	Pulley-Idler
18	1-303434	1	Bushing-Engagement
19	103-3600	1	Idler Arm ASM
19:2	1-323729	2	Sleeve-Bearing
20	32151-103	1	Ring-Snap
21	322-6	1	Screw-HH
22	1-303352	1	Washer-Spindle
23	1-806003	1	Pin-Hair

Ref	Part No.	Qty.	Description
24	110-4932	1	Rod-Brake
25	1-323748	1	Ring-Push On
26	1-323747	1	Spring-Compression
27	1-323746	1	Spacer-Flanged
28	3296-56	1	Nut-Lock, NI
29	1-323071	1	Spring-Extension
30	1-303334	1	Washer-Spring
31	302-19	1	Fitting-Grease



Piston and Crankshaft Assembly Kawasaki FH430V-CS25

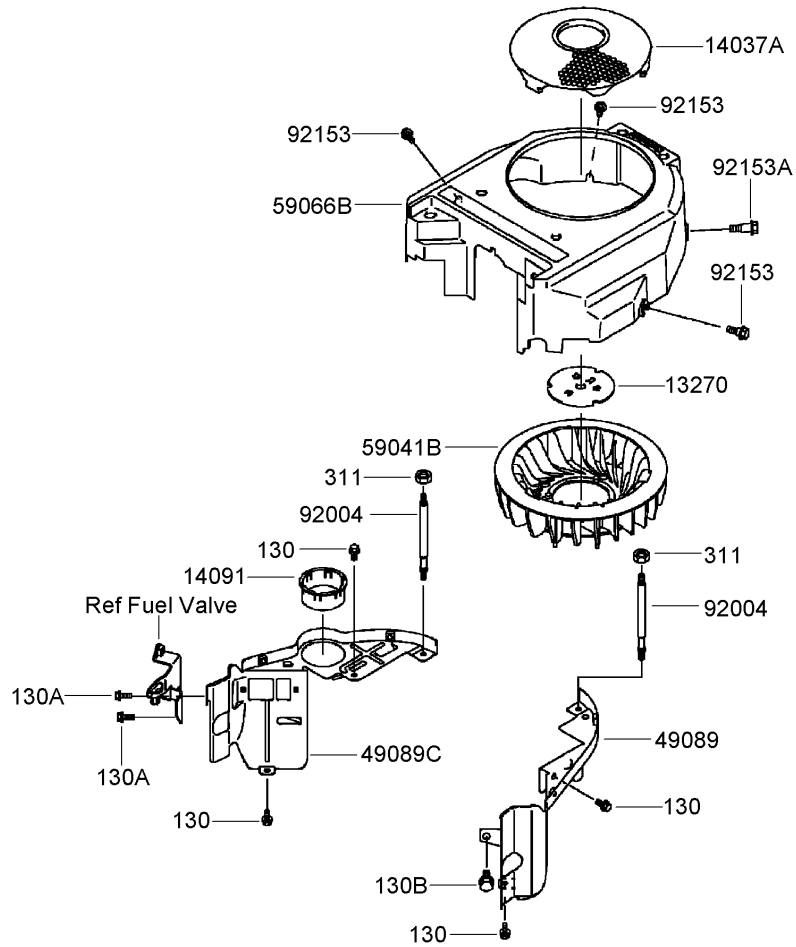
Ref	Part No.	Qty.	Description				
④ 13001	13001-7009	2	Piston-Engine				
④ 13002	13002-7001	2	Pin-Piston				
④ 13008	13008-7001	2	Ring Set-Piston				
④ 13025	13025-7003	1	Ring Set-Piston (L 0.50)				
④ 13029	13029-7005	1	Piston-Engine (L 0.50)				
④ 13031	13031-7033	1	Crankshaft				
④ 13251	13251-7007	2	Connecting Rod ASM				
④ 13251A	13251-7008	2	Connecting Rod ASM (0.50)				
④ 92033	92033-7005	4	Ring-Snap				
④ 130	130G0630	4	Bolt-Flanged (6X30)				



Valve and Camshaft Assembly Kawasaki FH430V-CS25

Ref	Part No.	Qty.	Description
④	12004A	2	Valve-Intake
④	12005A	2	Valve-Exhaust
④	12009	4	Retainer-Spring, Valve
④	12011	8	Collet
④	12016B	4	Arm-Rocker
④	12032	4	Tappet
④	13070	2	Guide
④	13070A	1	Guide
④	13116	4	Rod-Push
④	13271	1	Plate
④	13271A	1	Plate-Governor
④	42036B	1	Sleeve
④	49078	4	Spring-Valve, Engine
④	49118	1	Camshaft
④	92009	4	Screw
④	92015	4	Nut
④	92033	2	Ring-Snap
④	92140	6	Ball
④	92145	1	Spring
④	92153	4	Bolt
④	92200	1	Washer

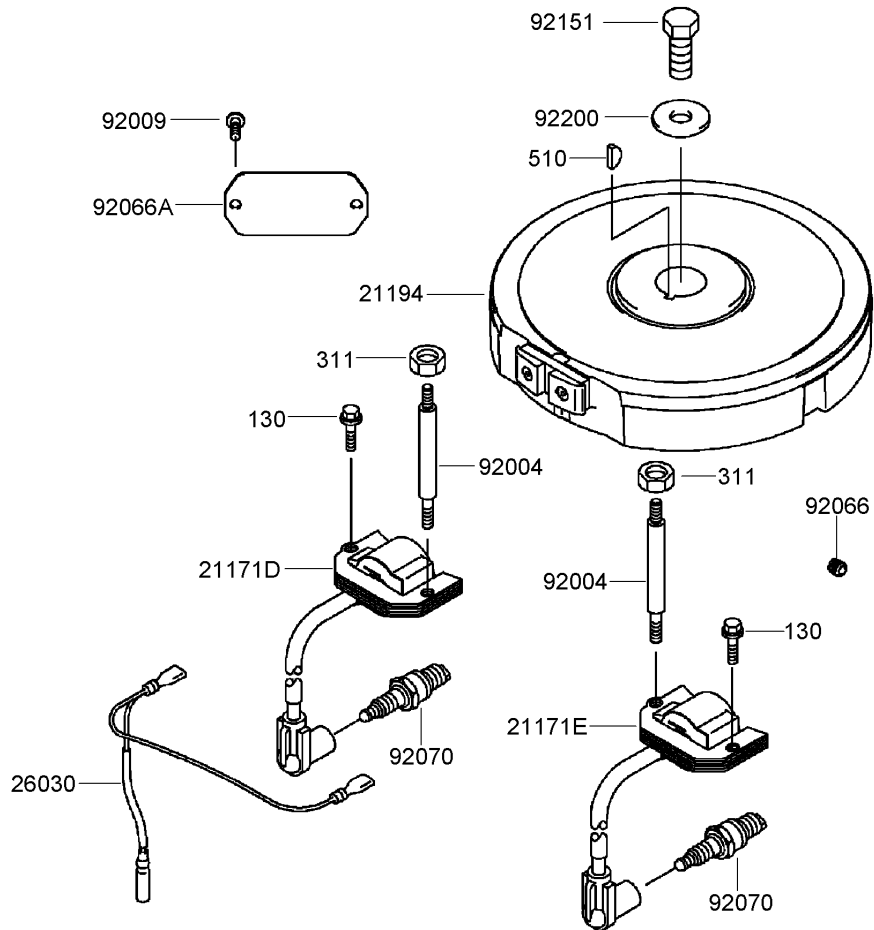
--	--	--	--



Cooling Equipment Assembly Kawasaki FH430V-CS25

Ref	Part No.	Qty.	Description
④ 13270	13270-7007	1	Plate
④ 14037A	14037-7025-9H	1	Screen
④ 14091	14091-7009	1	Cover
④ 49089	49089-7044	1	Shroud-Engine
④ 49089C	49089-7061	1	Shroud-Engine
④ 59041B	59041-7012	1	Fan
④ 59066B	59066-7036	1	Housing-Fan
④ 92004	92004-7007	2	Stud
④ 92153	92153-7007	3	Bolt
④ 92153A	92153-7008	1	Bolt
④ 130	130B0612	4	Bolt-Flanged (6X12)
④ 130A	130B0616	2	Bolt-Flanged (6X16)
④ 130B	130B0816	1	Bolt-Flanged (8X16)
④ 311	311F0600	2	Nut-Hex (6Mm)

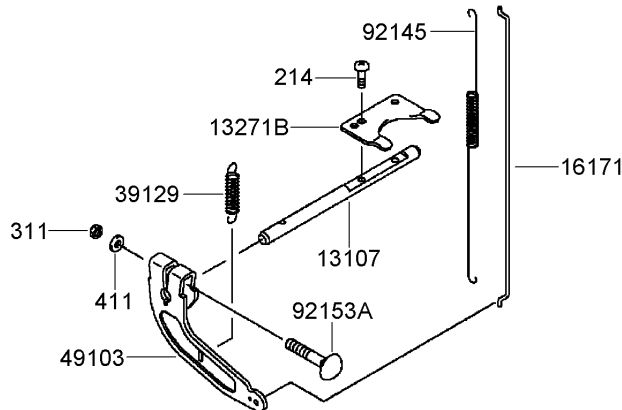
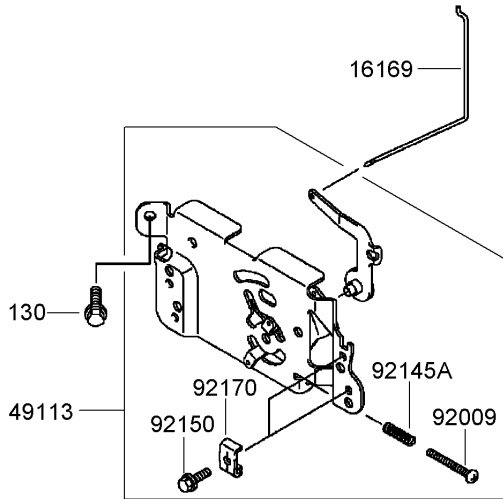
--	--	--	--



Electric Equipment Assembly Kawasaki FH430V-CS25

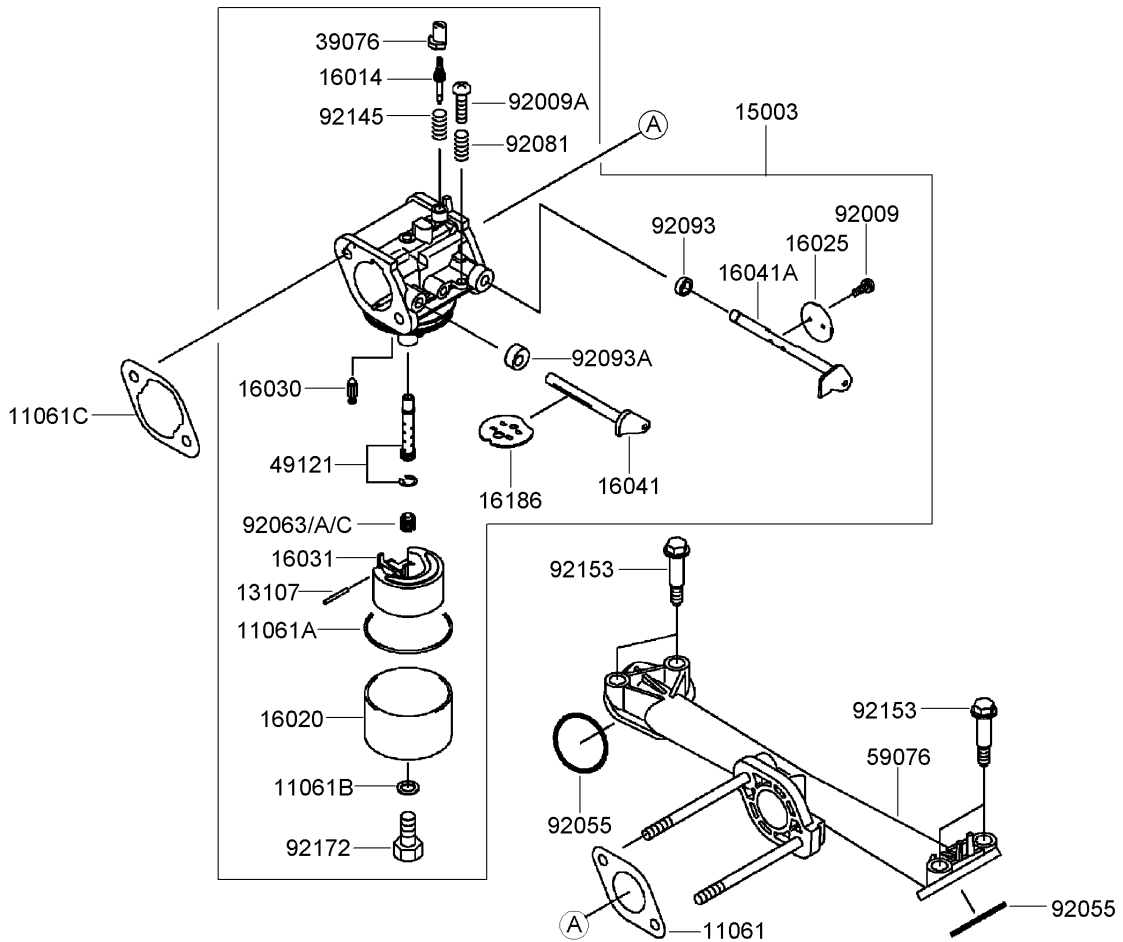
Ref	Part No.	Qty.	Description
④21171D	21171-7026	1	Coil-Assy-Ignition
④21171E	21171-7027	1	Coil-Assy-Ignition
④21194	21194-7013	1	Flywheel
④26030	26030-7001	1	Harness
④92004	92004-7008	2	Stud
④92009	92009-2308	2	Screw
④92066	92066-7002	1	Plug
④92066A	92066-7005	1	Plug
④92070	92070-7003	2	Plug-Spark (R C J 8 Y, Solid)
④92151	92151-2097	1	Bolt (12X30)
④92200	92200-7002	1	Washer
④130	130B0620	2	Bolt-Flanged (6X20)
④311	311F0600	2	Nut-Hex (6Mm)
④510	510A5100	1	Key-Woodruff

--	--	--	--



Control Equipment Assembly Kawasaki FH430V-CS25

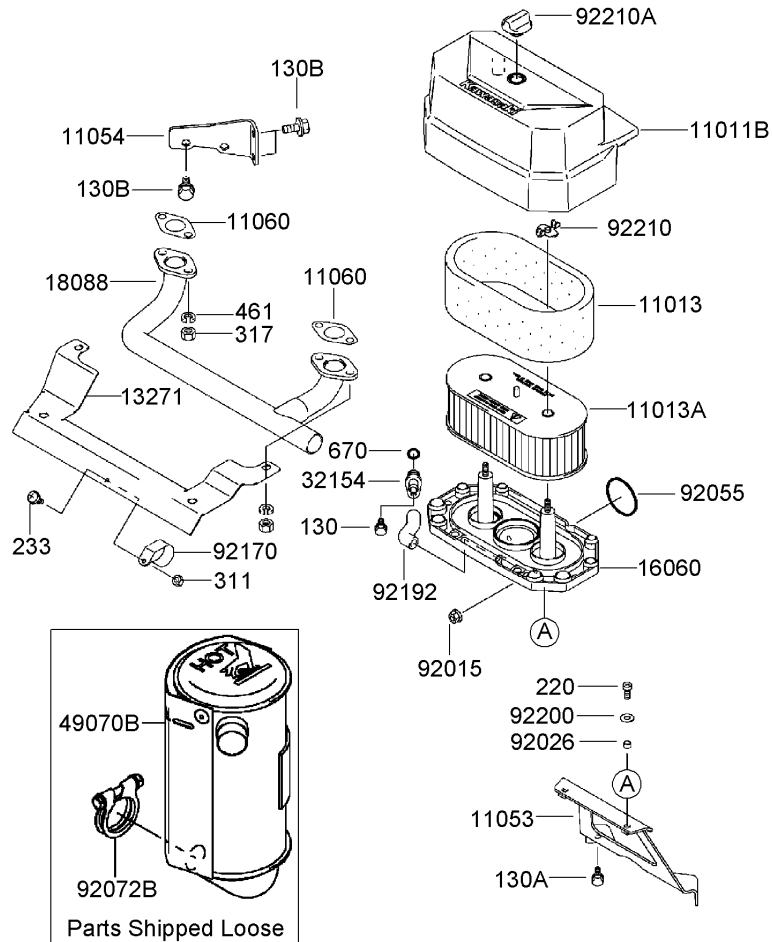
Ref	Part No.	Qty.	Description				
④13107	13107-7010	1	Shaft				
④13271B	13271-7032	1	Plate				
④16169	16169-7012	1	Link-Choke				
④16171	16171-7007	1	Link				
④39129	39129-7003	1	Spring-Governor				
④49103	49103-7004	1	Arm-Governor				
④49113	49113-7024	1	Panel-Control				
④92009	92009-7007	1	Screw (4X35)				
④92145	92145-7003	1	Spring				
④92145A	92145-7005	1	Spring				
④92150	92150-2182	2	Bolt (5X18)				
④92153A	92153-7033	1	Bolt (6X35)				
④92170	92170-7001	2	Clamp				
④130	130B0612	2	Bolt-Flanged (6X12)				
④214	214B0408	2	Screw-Pan (4X8)				
④311	311B0600	1	Nut-Hex (6Mm)				
④411	411B0600	1	Washer-Plain (6Mm)				



Carburetor Assembly Kawasaki FH430V-CS25

Ref	Part No.	Qty.	Description
④ 11061	11061-7004	1	Gasket-Insulator
④ 11061A	11061-7009	1	Gasket-Chamber
④ 11061B	11061-7010	1	Gasket-Screw
④ 11061C	11061-7018	1	Gasket-Cleaner, Air
④ 13107	13107-7018	1	Shaft
④ 15003	15003-7061	1	Carburetor ASM
④ 16014	16014-7002	1	Screw-Pilot
④ 16020	16020-7003	1	Chamber-Float
④ 16025	16025-7006	1	Valve-Throttle
④ 16030	16030-7003	1	Valve-Float
④ 16031	16031-7002	1	Float
④ 16041	16041-7016	1	Shaft-Choke, Carburetor
④ 16041A	16041-7018	1	Shaft-Throttle, Carburetor
④ 16186	16186-7002	1	Choke Valve ASM
④ 39076	39076-7001	1	Limiter
④ 49121	49121-7001	1	Nozzle-Main
④ 59076	59076-7005	1	Manifold-Intake
④ 92009	92009-2083	2	Screw
④ 92009A	92009-2349	1	Screw
④ 92055	92055-7007	2	O-Ring (I D 31)
④ 92063	92063-7026	1	Jet-Main, No. 88
④ 92063A	92063-7028	1	Jet-Main, No. 85
④ 92063C	92063-7029	1	Jet-Main, No. 82
④ 92081	92081-2234	1	Spring

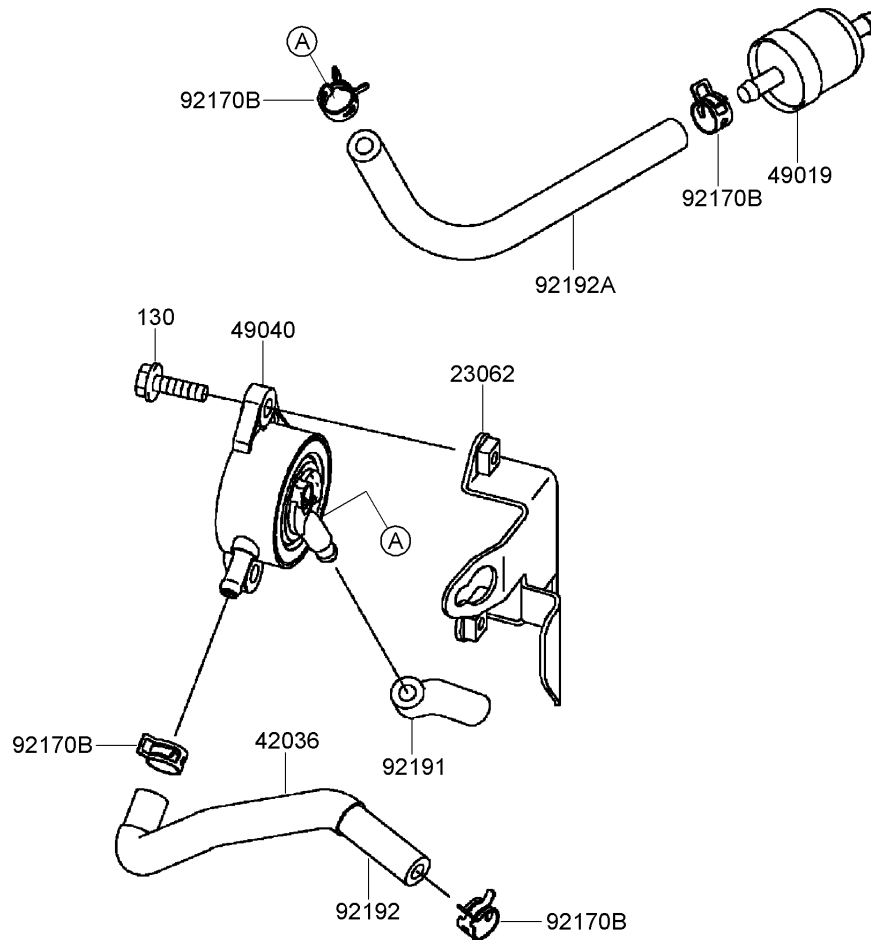
Ref	Part No.	Qty.	Description
④ 92093	92093-2100	1	Seal
④ 92093A	92093-7003	1	Seal
④ 92145	92145-7015	1	Spring
④ 92153	92153-7009	4	Bolt
④ 92172	92172-7002	1	Screw



Air Filter and Muffler Assembly Kawasaki FH430V-CS25

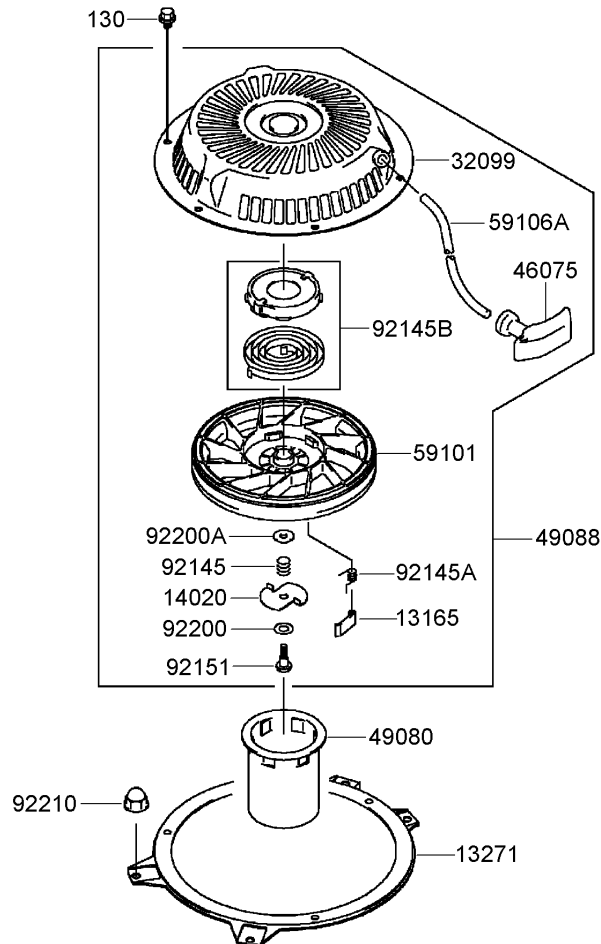
Ref	Part No.	Qty.	Description
④ 11011B	11011-7045	1	Case-Filter, Air
④ 11013	11013-7025	1	Element-Filter, Air
④ 11013A	11013-7031	1	Element-Filter, Air
④ 11053	11053-7022	1	Bracket
④ 11054	11054-7002-9H	1	Bracket
④ 11060	11060-7021	2	Gasket-Muffler
④ 13271	13271-7022	1	Plate
④ 16060	16060-7016	1	Pipe-Intake
④ 18088	18088-7001	1	Pipe-Exhaust
④ 32154	32154-7006	1	Pipe
④ 49070B	49070-7021	1	Muffler
④ 92015	92015-1193	2	Nut
④ 92026	92026-7001	2	Spacer (6.2X7.9X5)
④ 92055	92055-7015	1	O-Ring
④ 92072B	92072-7012	1	Band
④ 92170	92170-7002	1	Clamp
④ 92192	92192-7010	1	Tube
④ 92200	92200-2070	2	Washer
④ 92210	92210-7004	2	Nut
④ 92210A	92210-7019	1	Nut
④ 130	130B0610	1	Bolt-Flanged (6X10)
④ 130A	130B0612	2	Bolt-Flanged (6X12)
④ 130B	130B0816	3	Bolt-Flanged (8X16)

Ref	Part No.	Qty.	Description
④ 220	220B0614	2	Screw-Pan (Cross) (6X14)
④ 233	233B0416	1	Screw (4X16)
④ 311	311B0400	1	Nut-Hex (4Mm)
④ 317	317R0800	4	Nut-Hex (8Mm)
④ 461	461F0800	4	Washer-Spring (8Mm)
④ 670	670B2010	1	O-Ring (10Mm)



Fuel Tank and Valve Assembly Kawasaki FH430V-CS25

Ref	Part No.	Qty.	Description
④ 23062	23062-7004-9H	1	Bracket
④ 42036	42036-7012	1	Sleeve
④ 49019	49019-7001	1	Filter-Fuel
④ 49040	49040-7001	1	Pump-Fuel
④ 92170B	92170-2088	4	Clamp
④ 92191	92191-7002	1	Tube
④ 92192	92192-7035	1	Tube (6.35X12.7X170)
④ 92192A	92192-7037	1	Tube (6.35X12.7X160)
④ 130	130B0620	2	Bolt-Flanged (6X20)



Starter Assembly Kawasaki FH430V-CS25

Ref	Part No.	Qty.	Description				
④ 13165	13165-7001	2	Pawl-Starter, Recoil				
④ 13271	13271-7003-9H	1	Plate				
④ 14020	14020-7001	1	Retainer				
④ 32099	32099-7002	1	Case-Starter, Recoil				
④ 46075	46075-7001	1	Grip-Starter, Recoil				
④ 49080	49080-7001	1	Pulley-Starting				
④ 49088	49088-7013	1	Starter-Recoil				
④ 59101	59101-7001	1	Reel-Starter, Recoil				
④ 59106A	59106-7005	1	Rope				
④ 92145	92145-7006	1	Spring				
④ 92145A	92145-7007	2	Spring				
④ 92145B	92145-7008	1	Spring				
④ 92151	92151-7008	1	Bolt				
④ 92200	92200-7004	1	Washer				
④ 92200A	92200-7005	1	Washer				
④ 92210	92210-0003	4	Nut				
④ 130	130B0608	3	Bolt-Flanged (6X8)				

56033



56070



56080



56080A



**Label Assembly
Kawasaki FH430V-CS25**

Ref	Part No.	Qty.	Description				
④56033	56033-7001	1	Label-Manual				
④56070	56070-7001	1	Label-Warning				
④56080	56080-2077	1	Label-Brand				
④56080A	56080-7024	1	Label-Brand				

Attachments and Accessories

For 30688 - Commercial Walk-Behind Mower, Fixed Deck Pistol Grip Gear with 48in TURBO FORCE Cutting Unit

Product Name	Model/Part
Blade-Low Flow, 16.5 Inch	107-3193-03
Blade-Mid Flow, 16.5 Inch	107-3194-03
Blade-Atomic, 16.5 Inch	107-3195-03
Blade-Recycling, 16.5 Inch	107-3196-03
Bagging Enhancement Kit	108-4091
48 Inch Recycler Kit	110-2060
Weight Kit	110-2085
Soft Bag (3 Bushel)	30104
Sulky	30109

NOTES

NOTES

