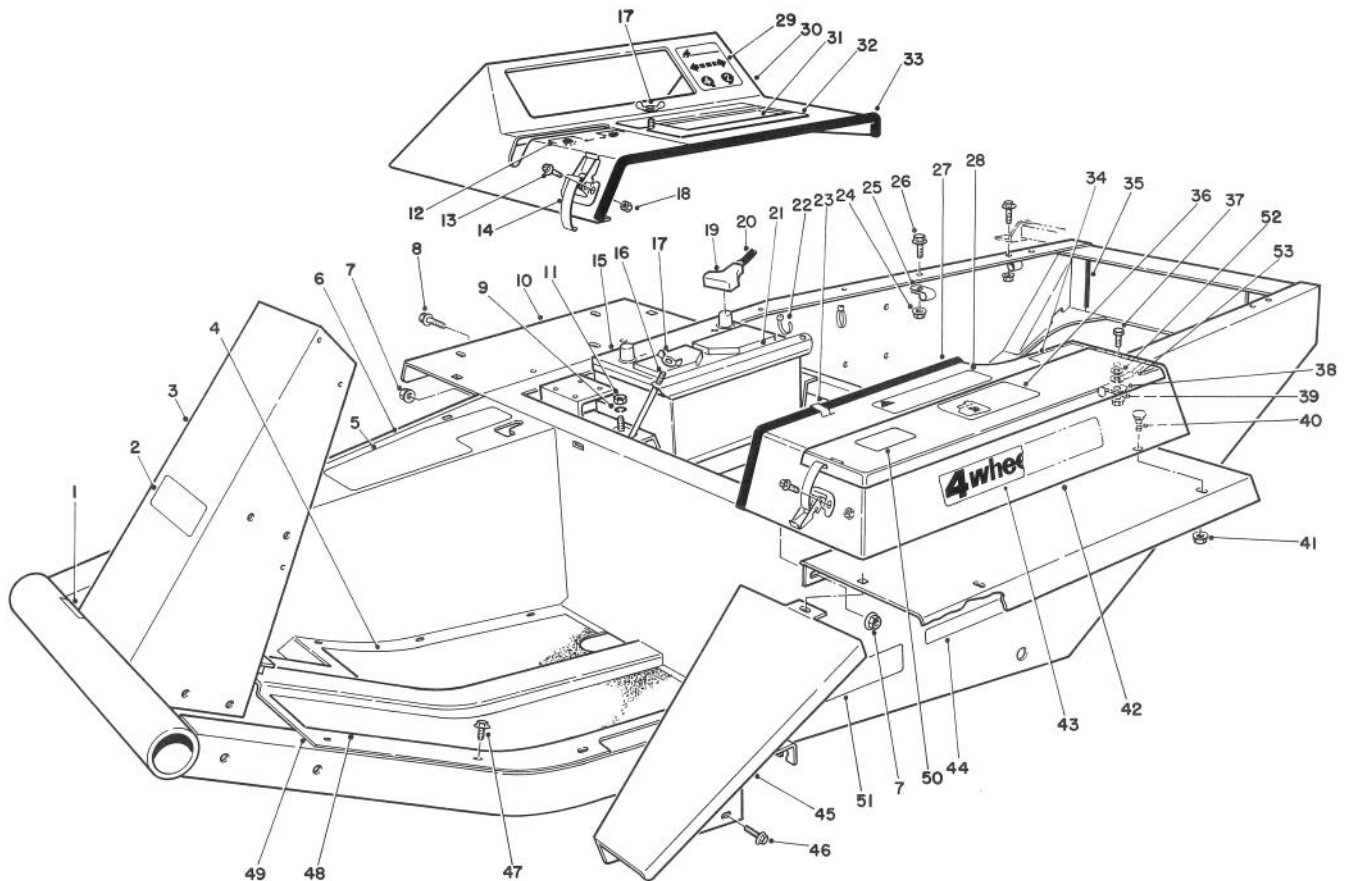




MODEL NO. 30795-20001 & UP
MODEL NO. 30722-20001 & UP
MODEL NO. 30710-20001 & UP

**PARTS
CATALOG**

**GROUNDMASTER® 325D 4 WHEEL DRIVE
(WITH POWER STEERING)**



T-0910A

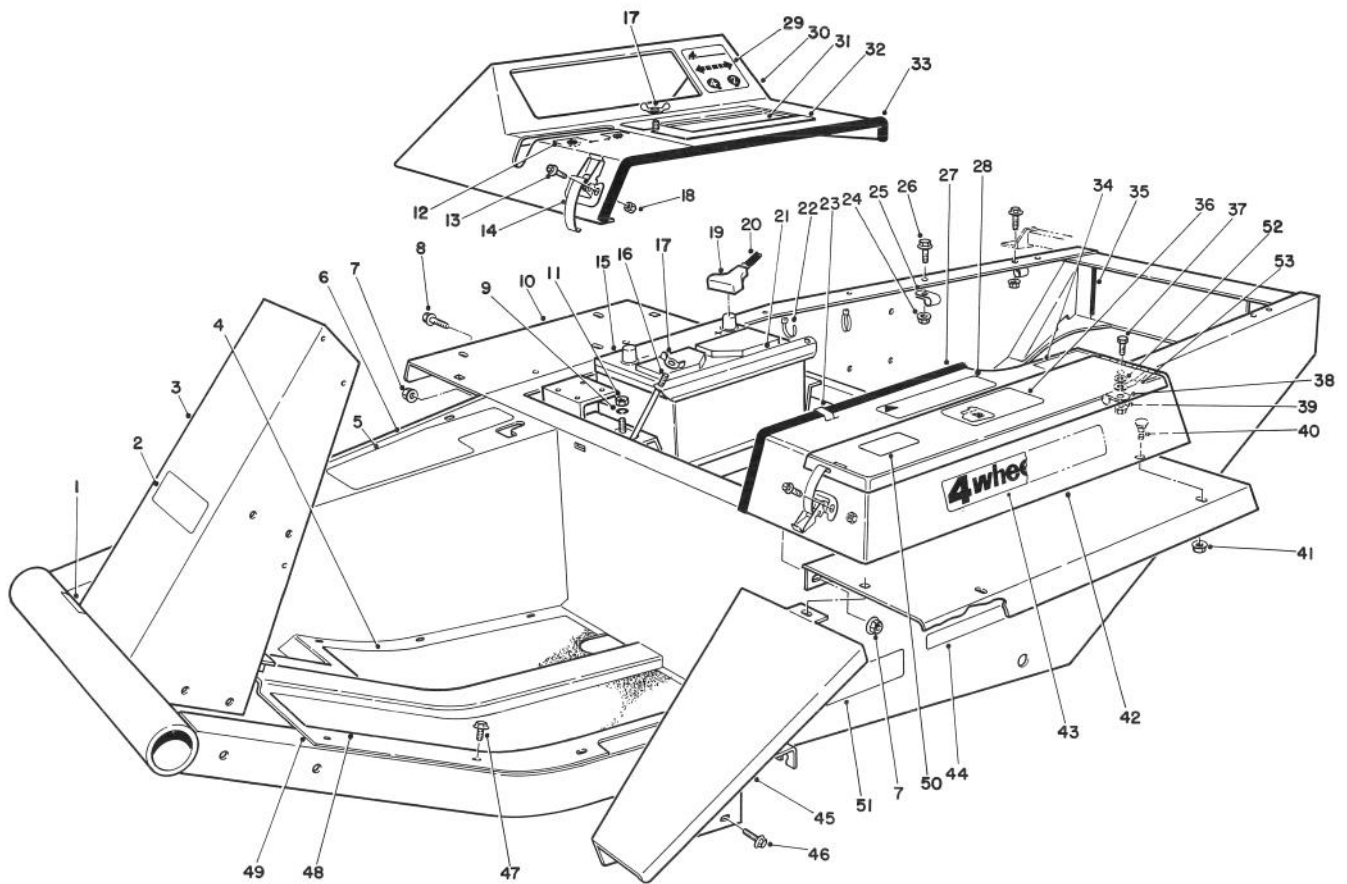
MAIN FRAME ASSEMBLY

Ref. No.	Part No.	Description	No. Used
1	27-7320	Decal - Traction Pedal	1
2	70-2200	Decal - Toro	1
†3	82-8980	Frame (Incl. Ref. #7)	1
4	21-2770	Pad - Foot Rest, R.H.	1
5	66-6390	Decal - Caution	1
6	21-2660	Footrest	1
7	32128-21	Nut - Lock, Flange	6
8	3234-12	Screw - Hex. Hd. Flange	4
9	3253-4	Washer - Lock	2
10	72-3690	Fender	2
11	3217-6	Nut	2
12	27-7290	Decal- Power Take Off	1
13	3290-144	Screw - Machine	6
14	249-21	Clamp - Hook	3
15		Battery - Type MF214-78	1
16	24-6390	Stud - Battery Hold Down	2

Ref. No.	Part No.	Description	No. Used
17	32103-2	Nut - Wing	3
18	3296-2	Nut - Lock	6
19	28-1280	Boot - Cable	1
20	70-1180	Cable - Battery, Positive (Incl. Ref.#19)	1
21	24-6420	Hold Down - Battery	1
22	3290-378	Tie - Cable	2
23	2412-61	Clip - Tinnermann	2
24	3290-357	Nut - Lock, Flange	5
25	2412-4	Clamp	3
26	3234-11	Screw - Cap, Locking Fl.	5
27	37-9650	Trim	1
28	67-1710	Decal - Caution	1
29	71-4860	Decal - 4 WD Control	1
30	38-4550	Cover - Instruments	1
31	43-4290	Decal - Instructions, Start.	1
32	24-9740	Cover - Access, Battery	1

† Includes Item #27, Page 23

TPS

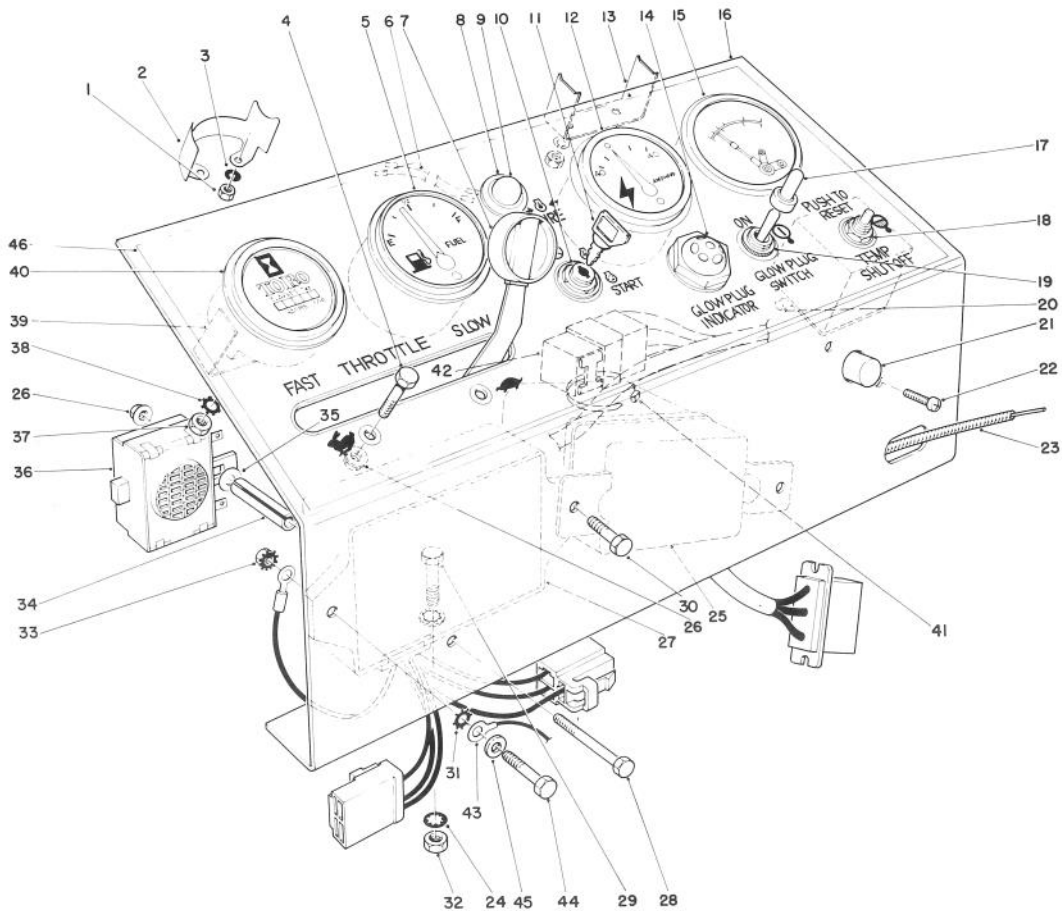


T-0910A

MAIN FRAME ASSEMBLY (Continued)

Ref. No.	Part No.	Description	No. Used
33	39-8020	Trim - Cover, Instruments	1
34	49-2280	Decal - Fuel, Diesel	1
35	43-4300	Trim - Frame, Rear	2
36	27-7310	Decal - Refueling	1
37	322-5	Screw - Cap, Hex. Hd.	1
38	2412-74	Clamp	1
39	32128-20	Nut - Lock, Flange	1
40	3229-1	Bolt - Carriage	5
41	32128-33	Nut - Lock, Flange	5
42	38-4530	Tool Box	1
43	72-3560	Decal - 4 WD	2

Ref. No.	Part No.	Description	No. Used
44	67-1720	Decal - Torque	2
45	68-8610	Fender - Extension	1
46	3234-14	Screw - Cap, Hex. Hd.	2
47	32144-10	Screw, Self-Tapping	11
48	21-2760	Pad - Foot Rest L.H.	1
49	77-3210	Plate - Floor	1
50	72-3700	Decal - Caution	2
51	75-0810	Decal - Caution	2
52	3254-2	Washer - Lock, Int. Tooth	1
53	18-2770	Cable - Ground	1

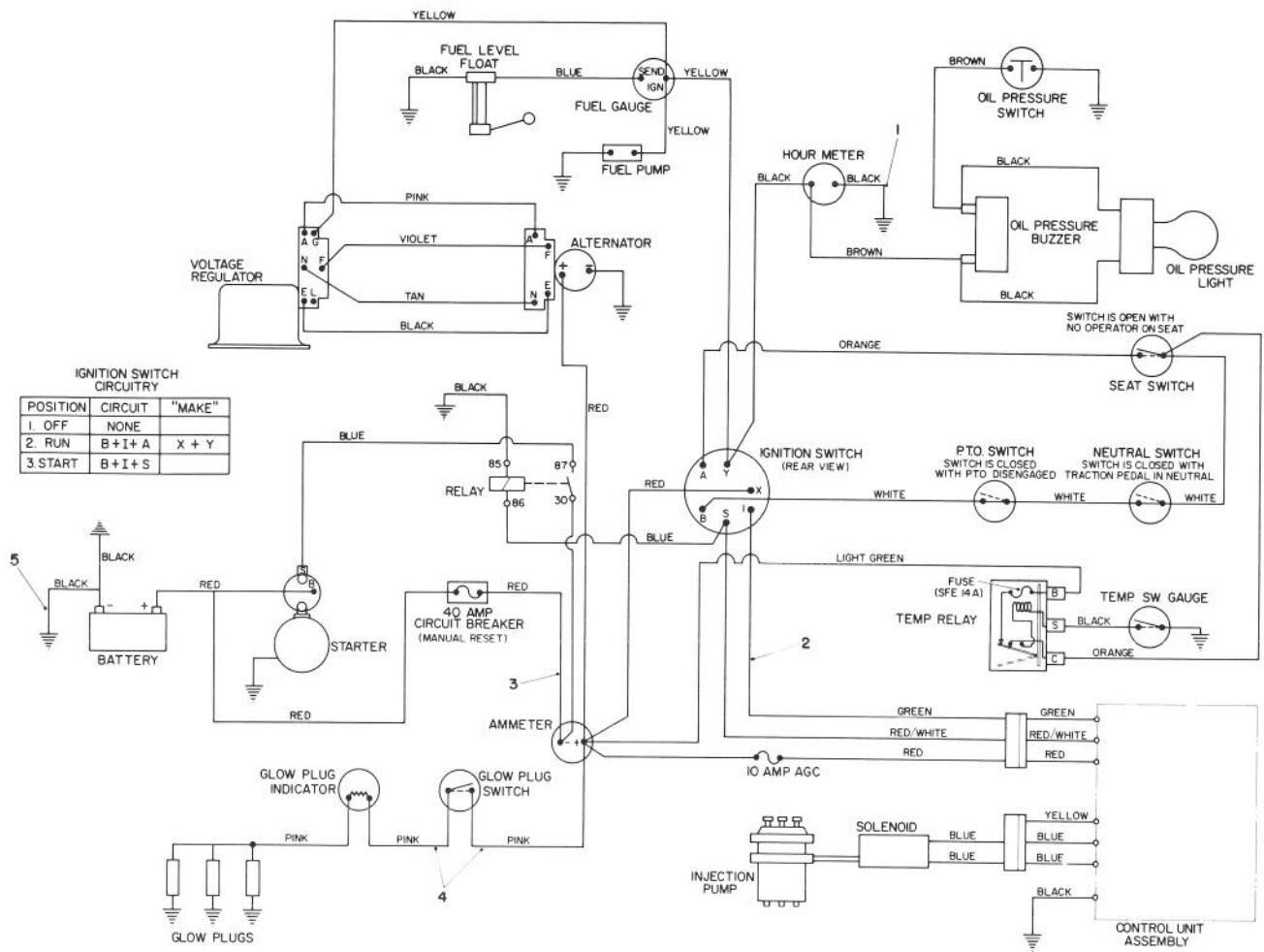


T-0408

INSTRUMENT PANEL ASSEMBLY

Ref. No.	Part No.	Description	No. Used	Ref. No.	Part No.	Description	No. Used
1	3219-14	Nut	6	22	3250-17	Screw— Pan Hd.	2
2	38-1670	Clamp Mounting	2	23	43-3990	Throttle Control (Incl. Ref. #7)	1
3	3253-17	Washer - Lock	6	24	3254-2	Washer - Lock, Int. Tooth	6
4	3290-134	Screw - Hex. Hd. Mach.	2	25	43-0410	Regulator Assembly	1
5	38-1650	Fuel Gauge (Incl. Ref. #1-3)	1	26	32128-17	Nut - Lock, Flange Hd.	3
6	44-2220	Wire Lead	1	27	43-1880	Control Unit Assembly	1
7	233-35	Knob	2	28	3290-424	Screw - Hex. Hd. Mach.	1
8	44-2210	Warning Light (Incl. Ref. #9)	1	29	322-5	Screw - Cap, Hex. Hd.	2
9	218-533	Lens	1	30	321-4	Screw - Cap, Hex. Hd.	2
10	27-2360	Key Switch (Incl. Ref. #11)	1	31	3255-7	Washer - Lock, Ext. Tooth	3
11	63-8360	Key	1	32	3217-6	Nut - Hex	2
12	38-1660	Ammeter (Incl. Ref. #1-3)	1	33	32149-2	Nut - Lock	3
13	218-539	Clamp	1	34	43-3820	Spacer	1
14	42-9190	Glow Lamp	1	35	3256-14	Washer - Flat	1
15	26-6750	Engine Temperature Gauge (Incl. Ref. #1, 3, & 13)	1	36	22-7820	Buzzer Assembly	1
16	43-3970	Panel - Instrument	1	37	3217-26	Nut	1
17	218-473	Toggle Switch Boot	1	38	3254-1	Washer - Lock	1
18	26-6740	Temperature Reset Relay	1	39	218-515	Mounting Bracket	1
19	6-1659	Toggle Switch (Incl. Ref. #17)	1	40	12-9990	Hour Meter (Incl. Ref. #37-39)	1
†20		Fuse - Temp. Relay 14 Amp. SFE	1	41	3290-379	Cable Tie	1
21	43-4000	Circuit Breaker	1	42	63-7590	Relay	1
				43	70-1190	Cable—Ground	1
				44	321-6	Screw - Cap, Hex. Hd.	1
				45	3256-1	Washer - Flat	1
				46	43-3980	Decal - Panel, Instrument	1

†Obtain Locally

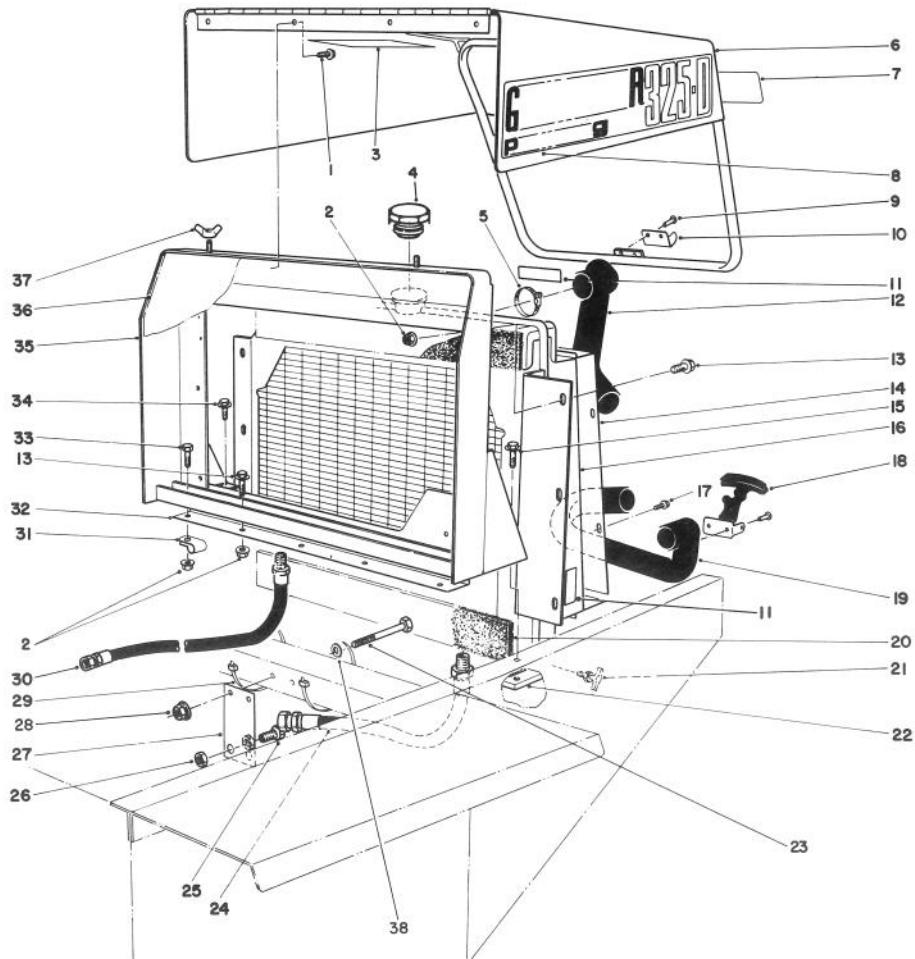


T-0409

ELECTRICAL SCHEMATIC

Ref. No.	Part No.	Description	No. Used
1	21-2370	Wire - Hour Meter Ground	1
2	70-1230	Wire Harness Assembly	1
3	43-4040	Wire Assembly	1

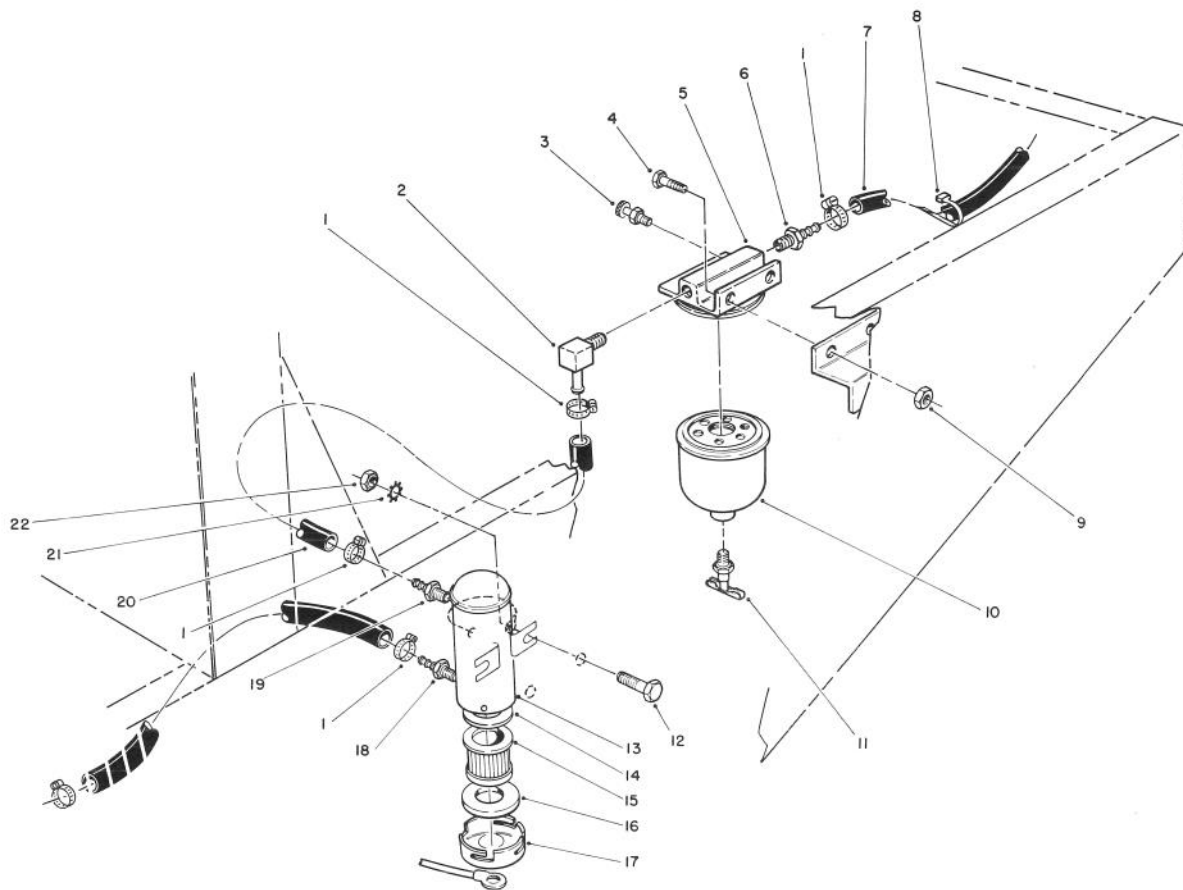
Ref. No.	Part No.	Description	No. Used
4	43-4010	Wire Assembly	2
5	70-1190	Ground Cable	1



T-0410A

RADIATOR & HOOD ASSEMBLY

Ref. No.	Part No.	Description	No. Used	Ref. No.	Part No.	Description	No. Used
1	32144-10	Screw - Self-Tapping	4	21	304-46	Drain Cock	1
2	32128-20	Nut - Hex. Hd. Flange	11	22	38-4600	Bar - Frame L.H.	1
3	82-8970	Decal - Engine Coolant	1	23	323-14	Screw - Cap, Hex. Hd.	2
4	66-3240	Radiator Cap Assy.	1	24	63-9010	Hose Assembly (Cooler to Pump)	1
5	2412-3	Hose Clamp	4	25	340-71	Union - Bulkhead	2
6	12-5899	Hood	1	26	340-70	Nut - Lock, Bulkhead	2
7	66-6140	Decal - Toro	1	27	68-9160	Bracket	1
8	84-8610	Decal - 325-D	2	28	32128-21	Nut - Flange Hd.	2
9	3290-271	Rivet	4	29	3290-379	Cable Tie	4
10	249-40	Keeper	1	30	63-8960	Hose Assembly (Valve to Cooler)	1
11	77-3100	Decal -Warning	3	31	2412-39	Clamp	1
12	43-3350	Hose - Upper, Radiator	1	32	43-3340	Grille - Sealing Plate	1
13	3234-14	Screw - Hex, Flange Hd.	11	33	322-6	Screw - Cap, Hex. Hd.	1
14	43-3330	Radiator Shroud	1	34	11-0590	Screw - Cap, Self Tapping	2
15	3234-1	Screw - Cap, Locking Hex. Flange Hd.	2	35	82-8080	Radiator Support	1
16	33-2570	Radiator Assembly	1	36	67-9030	Grille	1
17	32104-116	Screw -Self Tapping	8	37	32103-2	Nut - Wing	2
18	249-39	Flexible Draw Latch	1	38	5-0838	Washer - Flat	3
19	43-7020	Hose - Lower, Radiator	1				
20	43-3320	Foam - Radiator	2				

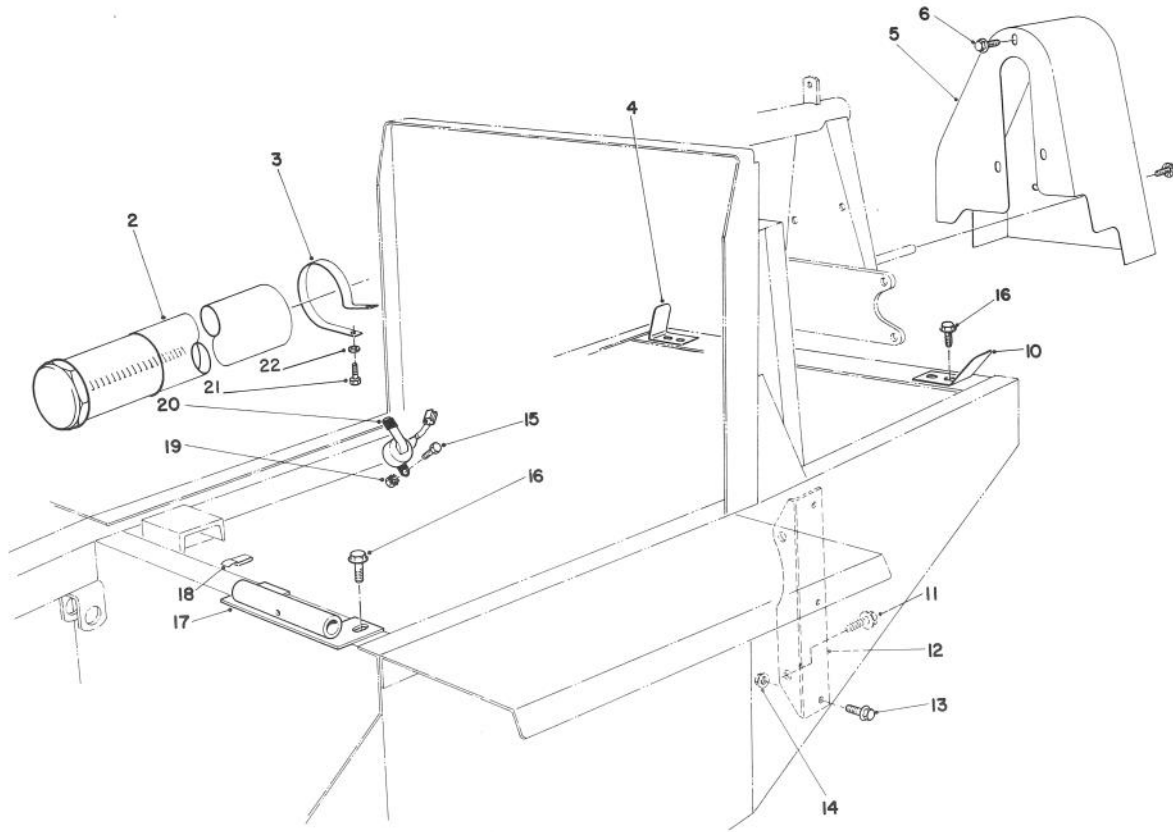


T-0411

FUEL FILTER ASSEMBLY

Ref. No.	Part No.	Description	No. Used
1	2412-108	Hose Clamp	5
2	304-96	90° Hose Barb	1
3	63-8290	Vent	1
4	321-4	Screw - Cap, Hex. Hd.	2
5	63-8280	Head Assembly	1
6	353-975	Hose Barb	1
7	63-9720	Hose	1
8	3290-378	Cable Tie	A/R
9	32149-2	Nut	2
10	63-8300	Element - Fuel Filter (Incl. Ref. #11)	1
11	63-8310	Drain Valve	1

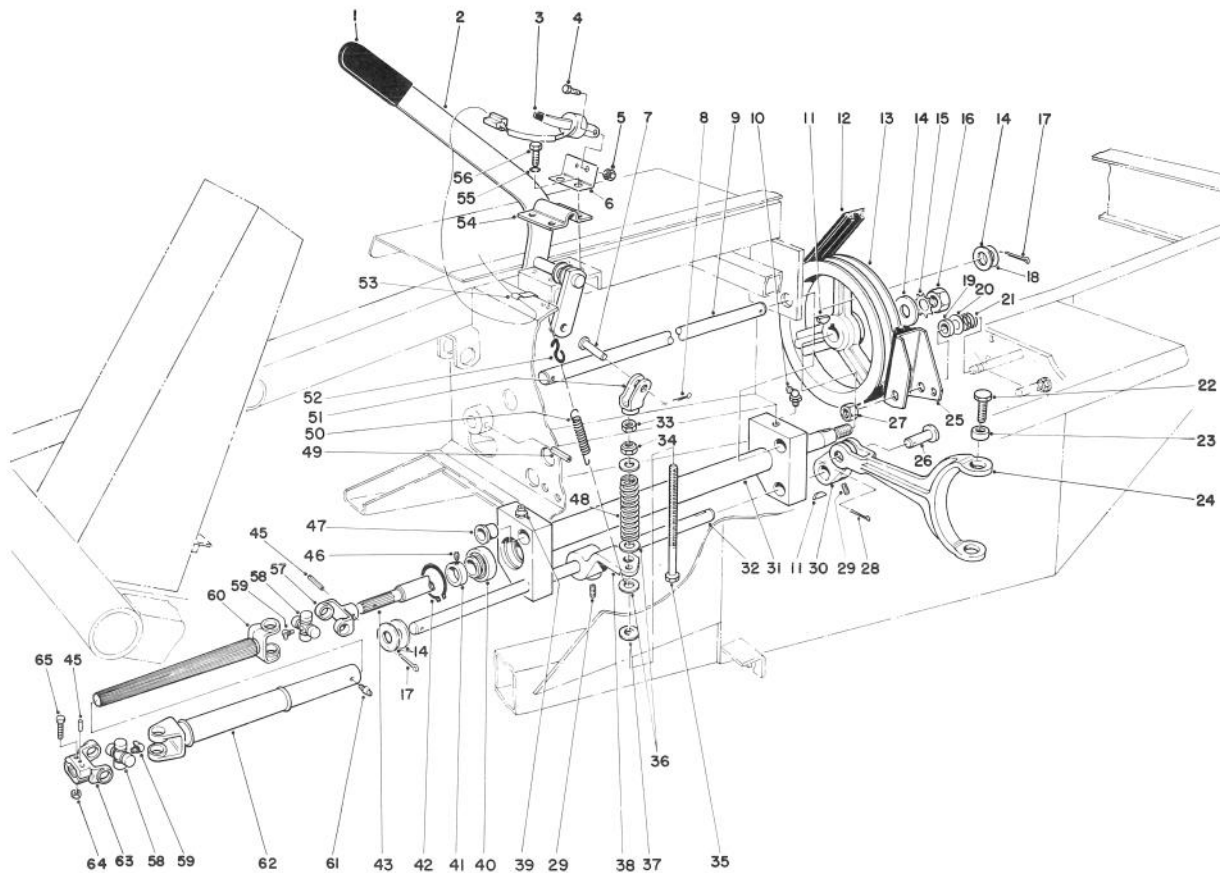
Ref. No.	Part No.	Description	No. Used
12	321-6	Screw - Cap, Hex. Hd.	2
13	53-8150	Pump Assy. Fuel, Electric (Incl. Ref. #14-17)	1
14	43-2570	Gasket	1
15	43-2550	Filter	1
16	43-2560	Gasket	1
17	43-2580	Magnet	1
18	353-702	Hose Barb	1
19	304-73	Hose Barb	1
20	63-9650	Hose	1
21	3255-7	Washer - Lock, Ext. Tooth	2
22	32149-2	Nut	2



T-0412

INTERLOCK ASSEMBLY

Ref. No.	Part No.	Description	No. Used	Ref. No.	Part No.	Description	No. Used
2	74-0720	Tube - Manual	1	14	3290-357	Nut - Lock, Flange	6
3	2412-133	R-Clamp	2	15	321-2	Screw - Cap, Hex. Hd.	2
4	67-8820	Bracket, R.H.	1	16	3234-17	Screw - Cap, Hex. Hd.	6
5	43-3900	Guard - Fan Belt	1	17	27-9810	Seat Pivot	1
6	3234-14	Screw - Cap, Hex. Hd.	5	18	212-93	Wire Clip	2
9	3256-23	Washer - Flat	1	19	3296-42	Nut - Lock	1
10	67-8810	Bracket, L.H.	1	20	29-6930	Switch	1
11	3234-32	Screw - w/Locking Flange	2	21	322-2	Screw - Cap, Hex. Hd.	2
12	67-8190	Bracket - Engine Support	2	22	3256-23	Washer - Flat	2
13	3234-11	Screw w/Locking Flange	6				

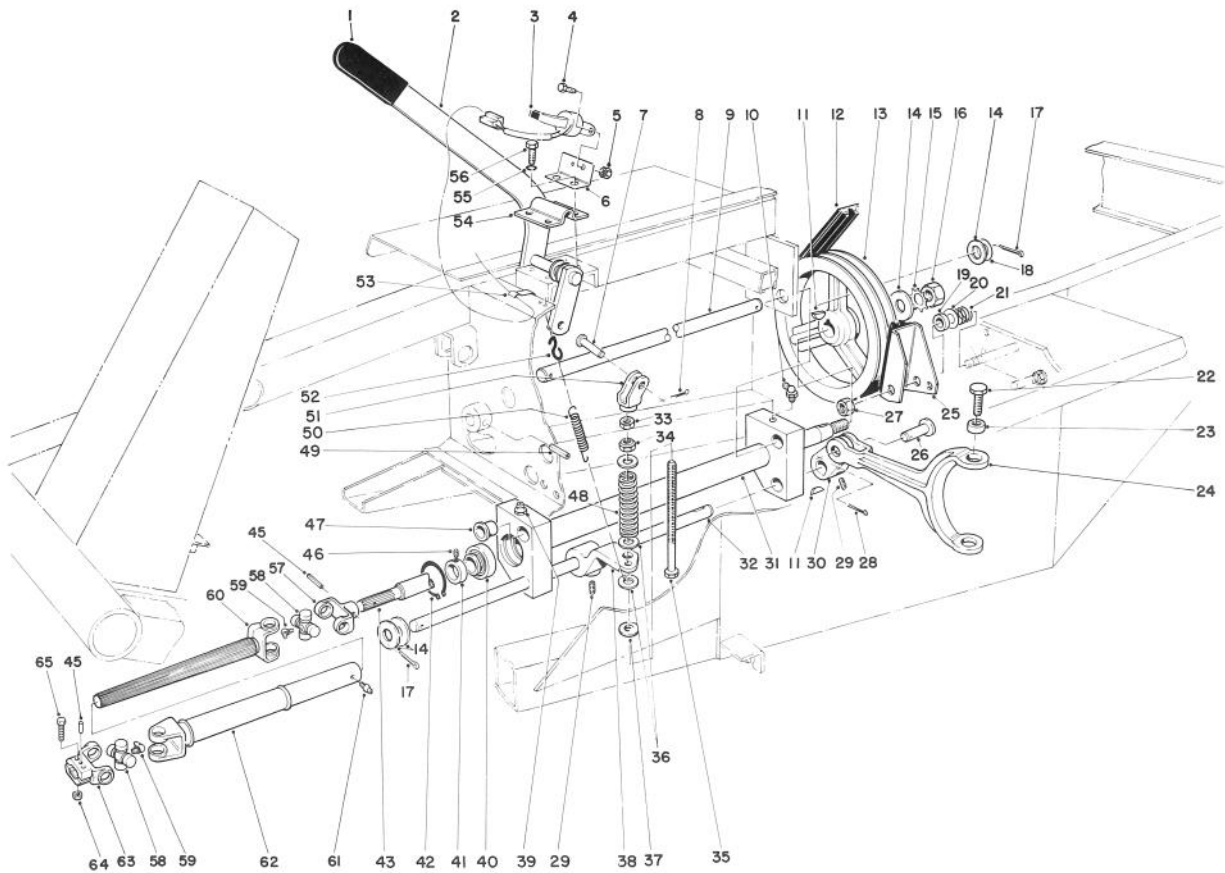


T-0413A

POWER TAKE OFF ASSEMBLY

Ref. No.	Part No.	Description	No. Used
1	21-1880	Grip Handle	1
2	21-1550	Lever—P.T.O.	1
3	29-6930	Switch Arm	1
4	321-2	Screw - Cap, Hex. Hd.	1
5	3296-42	Nut - Lock	1
6	27-7260	Mount - Arm Switch	1
7	283-42	Clevis Pin	1
8	3272-10	Cotter Pin	1
9	43-3860	Shaft - Pivot P.T.O.	1
10	302-10	Fitting - Grease	1
11	3257-5	Key - Woodruff	3
12	53-9660	V-Belt Torque Team	1
13	21-0230	Pulley P.T.O.	1
14	3256-28	Washer - Flat	4
15	3254-7	Washer - Lock	1
16	3219-7	Nut - Hex.	1
17	3272-22	Pin - Cotter	2
18	3-6498	Washer	A/R
19	3-8812	Spacer	1
20	3256-6	Washer - Flat	1
21	5-1747	Spring	1
22	30-2120	Screw - Cap, Hex. Hd.	2
23	43-3800	Bushing - P.T.O. Fork	2
24	43-5610	Fork P.T.O.	1
25	27-7370	Brake Assembly P.T.O.	1
26	283-8	Clevis Pin	1

Ref. No.	Part No.	Description	No. Used
27	3296-28	Nut - Lock	1
28	3272-11	Pin - Cotter	1
29	3246-3	Screw - Set	4
30	43-5590	Arm - P.T.O.	1
31	43-5500	Pivot P.T.O.	1
32	43-5550	Shaft - Actuator P.T.O.	1
33	3219-3	Nut	1
34	3296-6	Nut - Lock	1
35	27-7900	Screw - Adjusting	1
36	3256-41	Washer - Flat	3
37	5-0652	Spacer	1
38	43-5570	Arm, Actuator - P.T.O.	1
39	302-2	Grease Fitting	1
40	251-252	Ball Bearing (Incl. Ref. #41)	2
41	251-234	Lock Collar (Incl. Ref. #46)	2
42	32120-22	Ring - Retaining	2
43	43-5540	Shaft P.T.O.	1
44	62-4260	Drive Shaft Assembly	1
45	32121-34	Pin - Roll	2
46	3245-1	Screw - Set	2
48	21-0400	Spring - Compression	1
49	32121-9	Pin - Roll	1
50	21-1830	Spring - Tension	1
51	43-5630	Yoke - P.T.O.	1

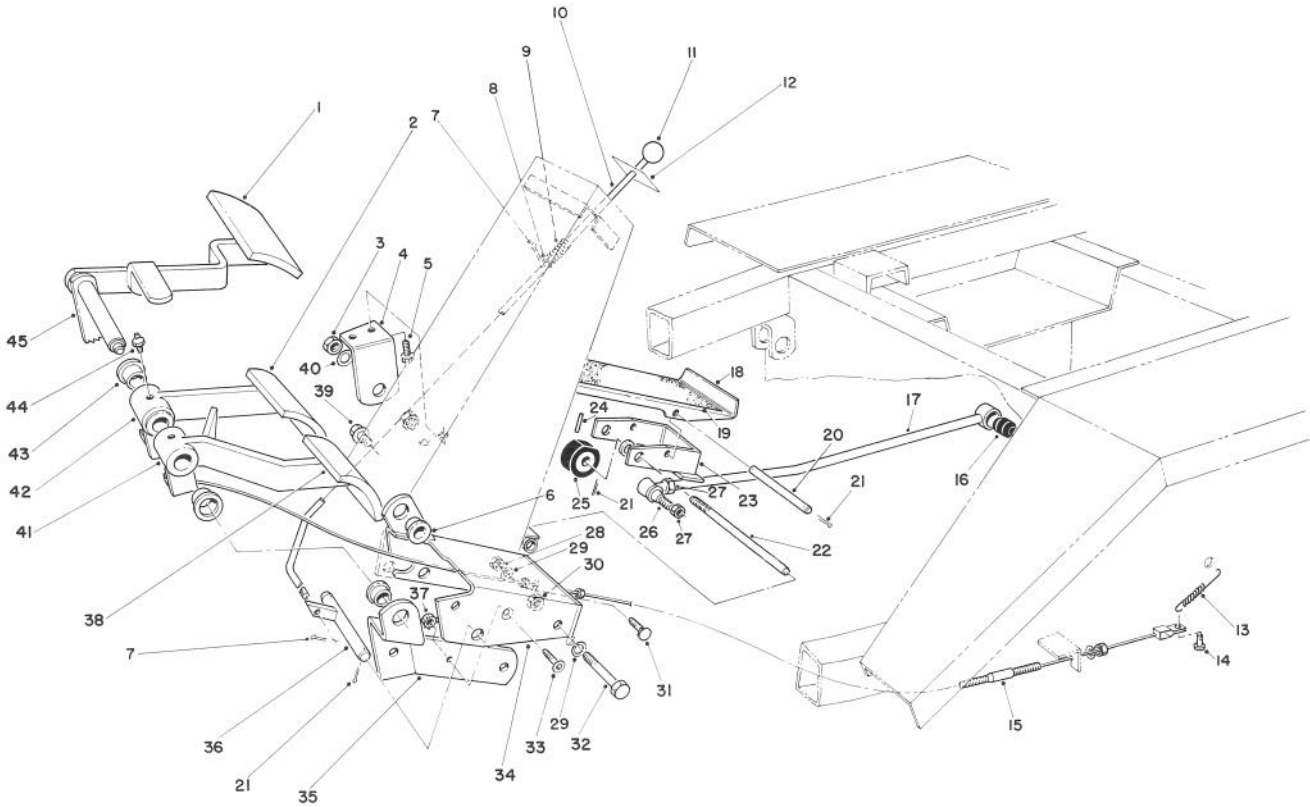


T-0413A

POWER TAKE OFF ASSEMBLY (Continued)

Ref. No.	Part No.	Description	No. Used	Ref. No.	Part No.	Description	No. Used
52	5-0701	Spring Anchor	1	60	62-3290	Shaft - Slip Yoke	1
53	212-93	Wire Clip	1	61	302-58	Fitting - Grease	1
54	21-1600	Clamp P.T.O. Lever	1	62	62-3790	Tube - Slip Yoke	1
55	3253-21	Washer - Lock	4	63	54-9040	Yoke - End (Split)	1
56	32104-6	Screw - Hex. Hd. Tapping	4	64	3296-29	Nut - Lock	2
57	62-3800	Yoke - End	1	65	322-9	Screw - Cap Hex. Hd.	2
58	54-9180	Kit - U-Joint	2	*	84-4890	Assembly - Drive Shaft (Incl. Ref. #57-63)	1
59	62-3820	Fitting - Grease	2				

*Not Illustrated



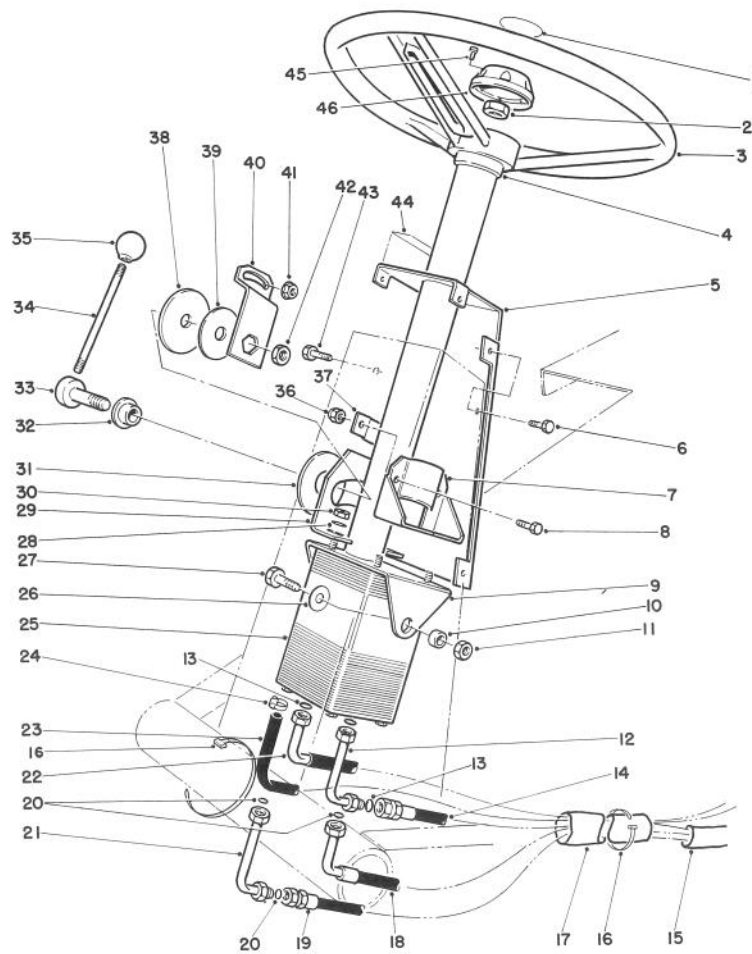
T-0415A

BRAKE PEDAL ASSEMBLY

Ref. No.	Part No.	Description	No. Used
1	7-3900	Pad - Brake	1
2	27-7580	Pad - Right Turn	1
3	3218-5	Nut - Jam	2
4	21-2850	Mount - R.H. Pedal	1
5	11-0590	Screw - Hex. Hd. Tapping	2
6	256-156	Bushing	5
7	3272-5	Pin - Cotter	3
8	3256-22	Washer - Flat	1
9	3-3251	Spring - Compression	1
10	82-8670	Rod - Brake Latch	1
11	233-17	Knob	1
12	82-8930	Decal - Parking Brake	1
13	3-7243	Spring - Extension	2
14	283-58	Pin - Clevis	2
15	21-3380	Cable - L.H. Brake	1
*	21-3370	Cable - R.H. Brake	1
16	23-2270	Bushing - Rubber	1
17	23-2240	Rod - Pump Control	1
18	28-5190	Pedal - Traction	1
19	28-5130	Pad - Pedal	1
20	28-5240	Pin - Traction Pedal	1
21	3272-6	Pin - Cotter	6
22	28-5210	Shaft - Traction Pedal	1
23	28-5160	Bracket - Pivot (Inc. Ref. #6)	1

Ref. No.	Part No.	Description	No. Used
24	32121-6	Pin - Roll	1
25	28-5220	Wheel - Friction	1
26	21-0141	Socket Assembly R.H.	1
27	3220-3	Nut - Jam	2
28	3217-7	Nut - Hex	2
29	3253-21	Washer - Lock	4
30	32153-2	Nut - Lock	2
31	3231-21	Bolt - Carriage	2
32	323-13	Screw - Cap, Hex. Hd.	2
33	3274-47	Screw - Flat Hd. Socket	1
34	27-7590	Mount - Brake	1
35	27-9270	Mount - Brake Pivot Shaft	1
36	27-7640	Shaft - Brake Latch	1
37	32149-2	Nut	1
38	27-7570	Pad - Left Turn	1
39	3234-11	Screw - Cap, Hex. Hd.	3
40	3256-26	Washer - Flat	1
41	27-7490	Pedal - L.H. Brake (Incl. Ref. #43)	1
42	27-7510	Pedal - R.H. Brake (Incl. Ref. #43)	1
43	256-10	Bushing	4
44	302-5	Fitting - Grease	2
45	27-8550	Pedal - Parking Brake	1

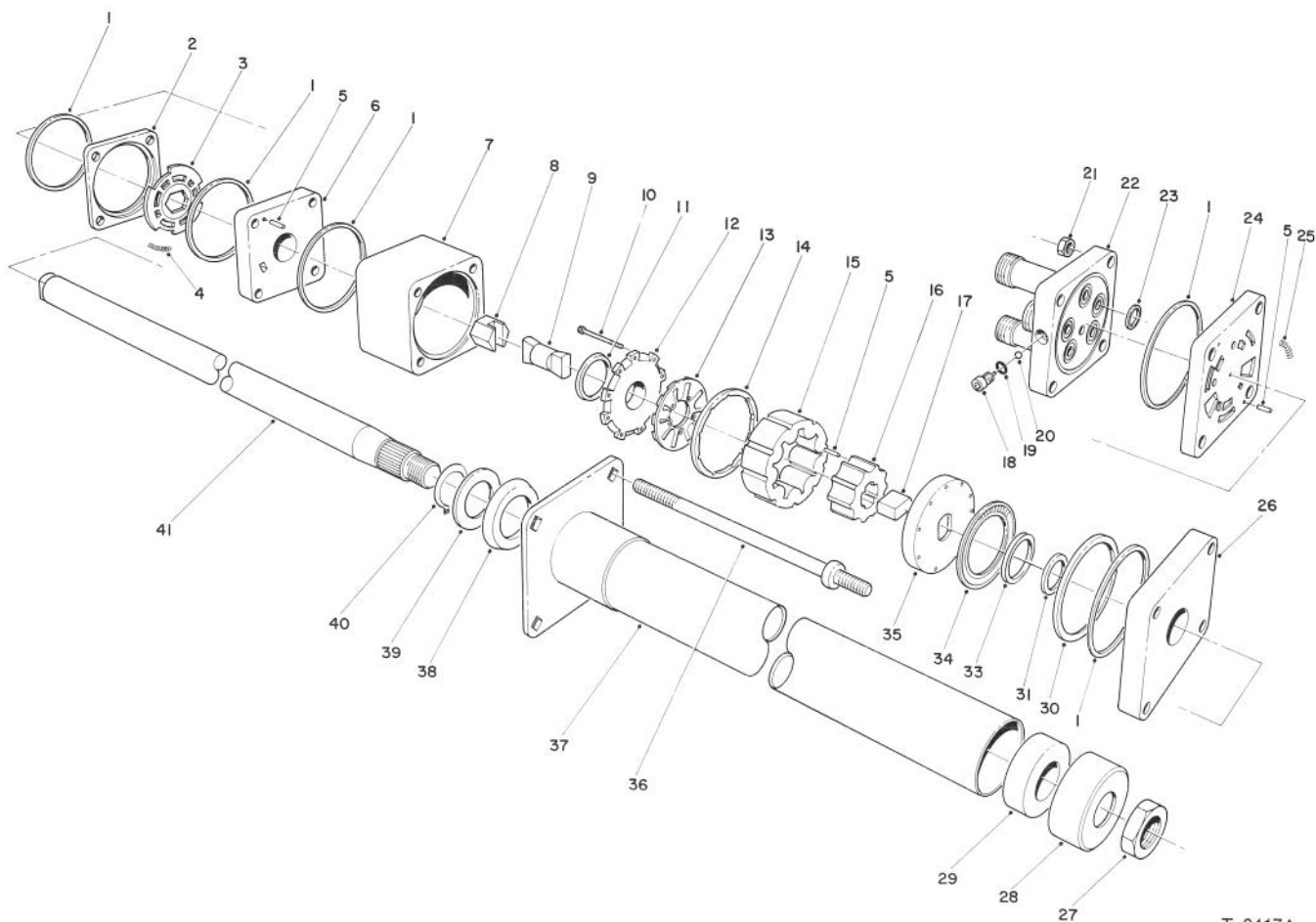
*Not Illustrated



T-1187A

POWER STEERING ASSEMBLY

Ref. No.	Part No.	Description	No. Used	Ref. No.	Part No.	Description	No. Used
1	68-5370	Decal - Toro	1	24	2412-36	Clamp	2
2	66-9760	Nut - Hex.	1	25	63-9250	Valve - Steering, Power	1
3	75-0560	Wheel - Steering (Incl. Ref. #45-46)	1	26	3256-46	Washer - Flat	2
4	21-9260	Cover - Dust	1	27	323-6	Screw - Cap, Hex. Hd.	2
5	82-8660	Cover - Tower	1	28	3256-3	Washer - Flat	4
6	32144-10	Screw - Hex. Hd. Thd. Form	6	29	80-2940	Plate - Pivot	1
7	67-8690	Support - Column	1	30	3296-4	Nut - Lock	4
8	3234-17	Screw - Cap, Hex. Hd.	2	31	31-0390	Disc - Friction	1
9	77-3120	Bracket - Mount, Column	1	32	80-2980	Boss - Pin	1
10	80-2960	Spacer - Tower	2	33	80-2970	Pin - Steering, Tilt	1
11	32153-2	Nut - Hex.	2	34	80-2890	Handle - Steering, Tilt	1
12	82-8760	Elbow	1	35	233-21	Knob - Handle	1
13	237-30	O-Ring	3	36	3296-29	Nut - Lock	2
14	63-8970	Hose - Trans. to Steering	1	37	82-8650	Clamp - Half	1
15	70-1390	Sleeve - Protective	1	38	82-9010	Disc - Friction	1
16	3290-379	Tie - Cable	3	39	80-2930	Washer	1
17	70-1380	Sleeve - Protective	1	40	80-2880	Bracket - Steering, Tilt	1
18	68-9730	Hose - Steering to Cylinder	1	41	32128-20	Nut - Flange	1
19	68-9720	Hose - Cylinder to Steering	1	42	3218-7	Nut - Jam	1
20	237-22	O-Ring	3	43	322-4	Screw - Cap, Hex. Hd.	1
21	82-8770	Elbow	1	44	82-8940	Decal - Steering, Tilt	1
22	63-8980	Hose - Aux. to Valve	1	45	32144-21	Screw	1
23	63-8990	Hose	1	46	68-5140	Cap - Wheel, Steering	1



T-0417A

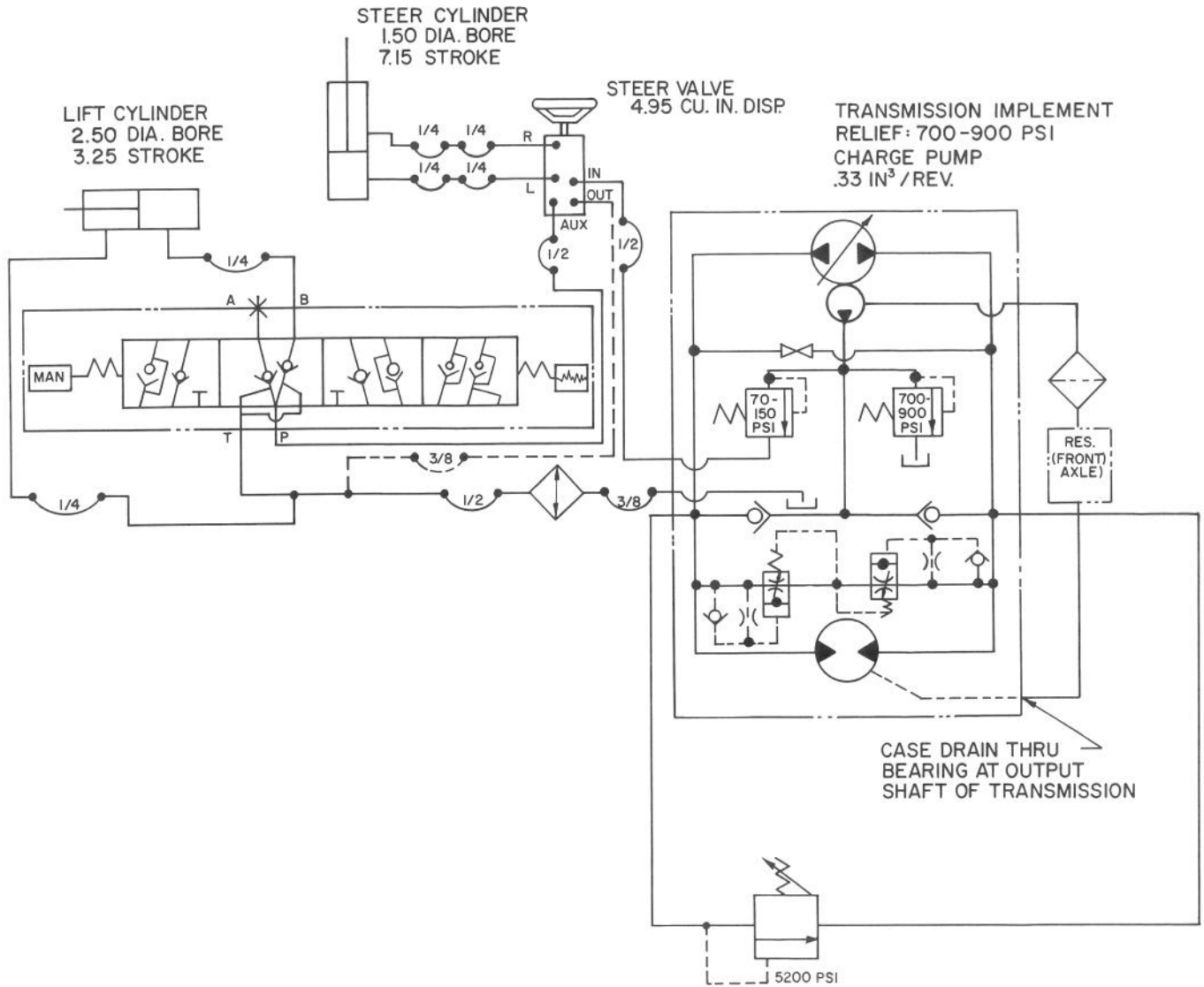
POWER STEERING VALVE ASSEMBLY NO. 63-9250

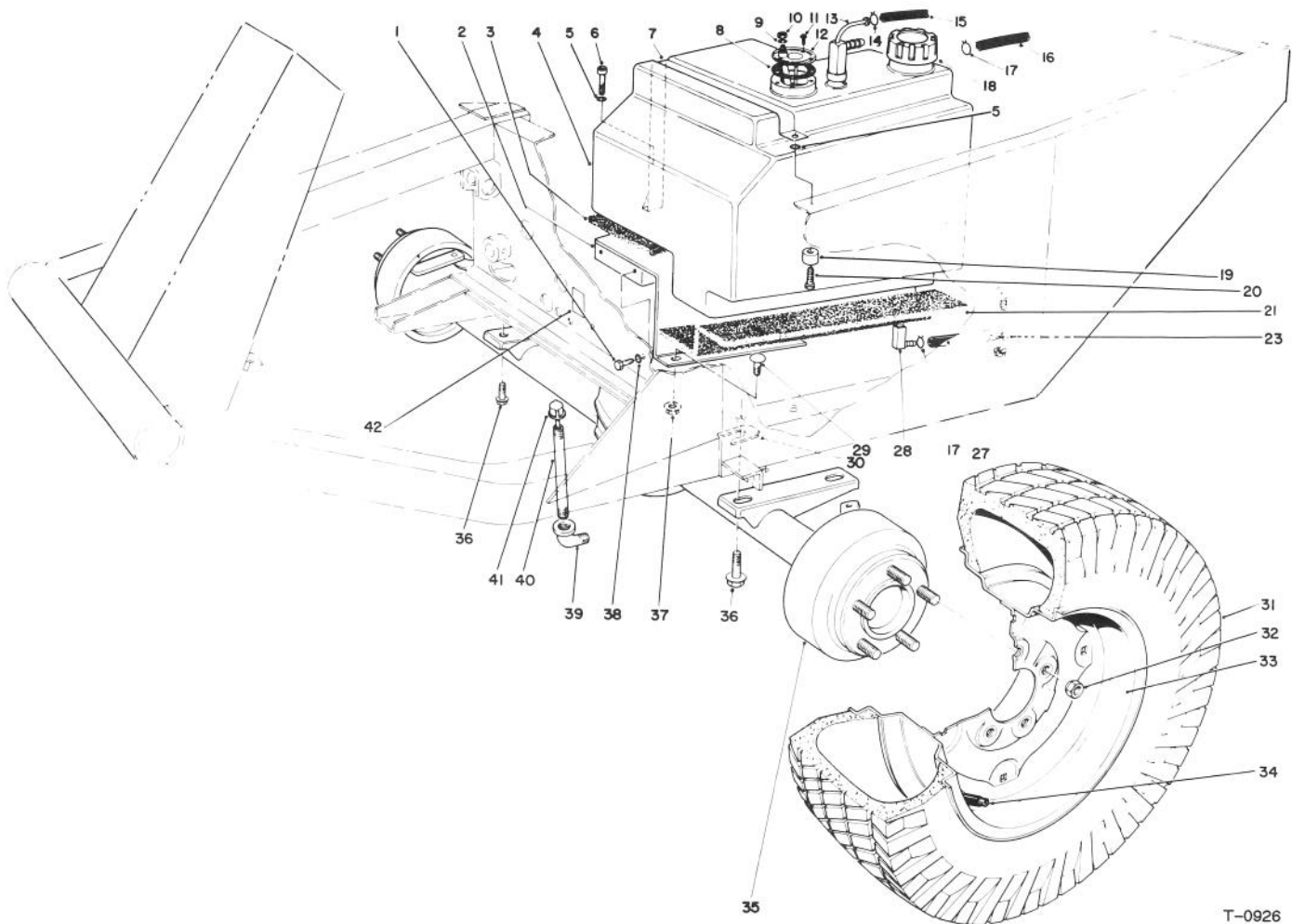
Ref. No.	Part No.	Description	No. Used
1		Ring - Seal	5
2		Ring - Valve	1
3		Plate - Valve	1
4		Spring	3
5		Pin - Alignment	9
6		Manifold - Isolation	1
7		Ring - Metering	1
8		Hex Drive Assy.	1
9		Link - Drive	1
10		Screw - Hex. Hd. Socket	11
11		Seal - Commutator	1
12		Cover - Commutator	1
13		Commutator	1
14		Ring - Commutator	1
15		Stator	1
16		Rotor	1
17		Spacer - Drive Link	1
18		Plug	1
19		O-Ring	1
20		Ball	1
21		Nut - Hex	4
22		Cover - Port	1
23		O-Ring	5
24		Manifold - Port	1

Ref. No.	Part No.	Description	No. Used
25		Spring	3
26		Plate - Upper Cover	1
27	3220-6	Nut	1
28	66-9770	Seal	1
29	66-9780	Bushing	1
30		Spacer - Thrust Bearing	1
31		Spacer - Seal	1
33		Seal-Face	1
34		Bearing - Thrust	1
35		Plate - Drive	1
36	66-9850	Bolt - Special	4
37	66-9860	Upper Cover & Jacket	1
38	66-9870	Plate - Retaining	1
39	66-9880	Washer - Retaining Plate	1
40	66-9890	Ring - Retaining	1
41	66-9900	Shaft - Input	1
*	66-9970	Spring Kit (Incl. Ref. #4 & 25)	1
*	66-9980	Seal Kit (Incl. Ref. #1, 11, 19, 23 & 33)	1
*	66-9990	Needle Roller Kit (Incl. Ref. #5)	1

*Not Illustrated

HYDRAULIC SCHEMATIC





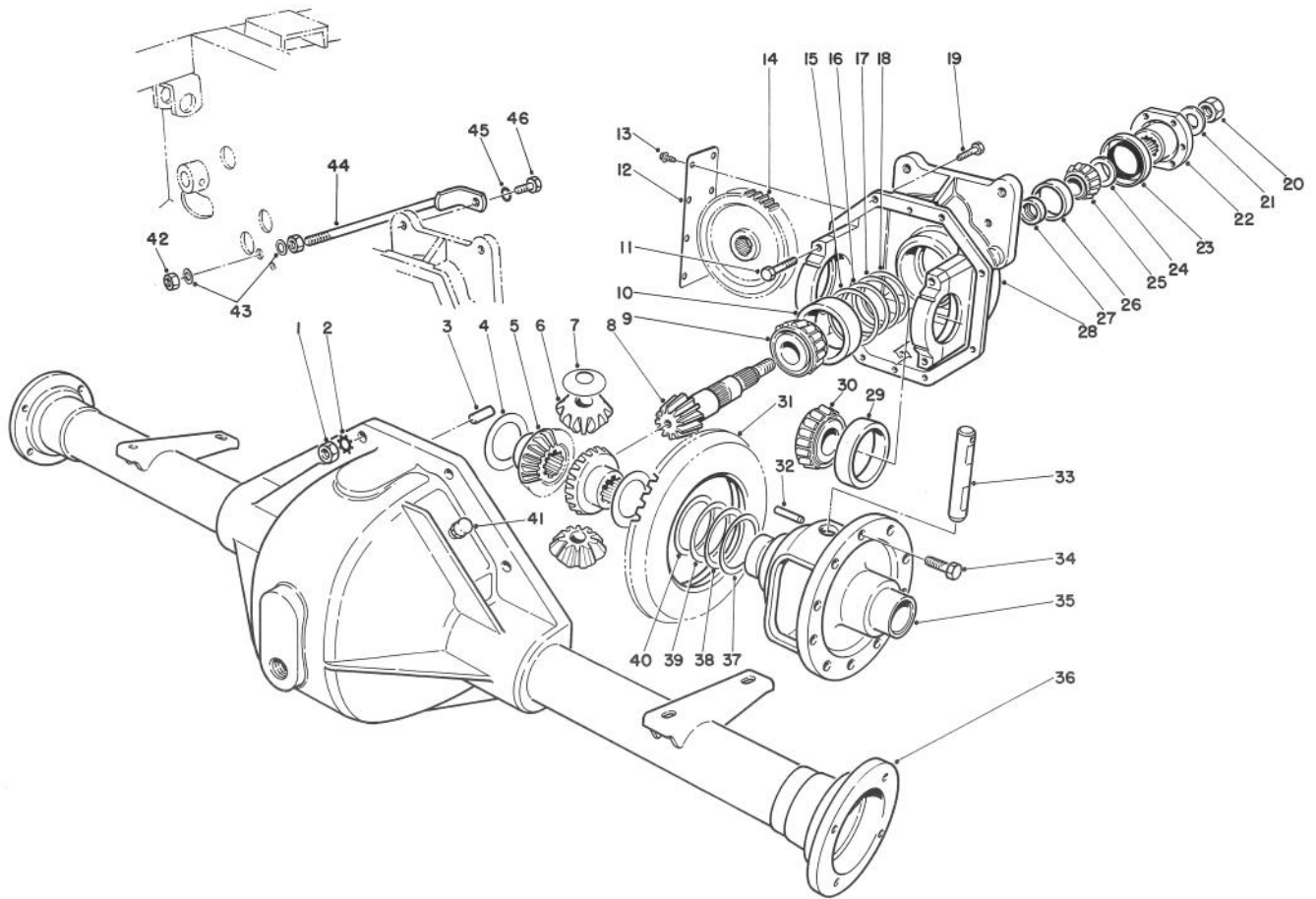
T-0926

FRONT AXLE & FUEL TANK ASSEMBLY

Ref. No.	Part No.	Description	No. Used
1	32104-6	Screw - Self Tapping	2
2	68-9760	Fuel Tank Base	1
3	21-3600	Foam - Tank Support	1
4	43-4150	Fuel Tank (Incl. Ref. #13 & 14)	1
5	3253-3	Washer - Lock	2
6	32104-96	Screw - Cap, Hex. Hd.	1
7	37-9550	Strap - Fuel Tank	1
8	62-7650	Gasket	1
9	3253-17	Washer - Lock	1
10	3219-14	Nut	1
11	32144-53	Screw - Thread Forming	5
12	62-6840	Sender - Fuel Level	1
13	43-4160	Fitting - Return & Vent	1
14	2412-79	Clamp	1
15	43-4230	Hose - Return	1
16	43-5690	Hose - Vent, Fuel Tank	1
17	2412-6	Clamp	2
18	55-3572	Fuel Cap	1
19	22-7810	Spacer	1

Ref. No.	Part No.	Description	No. Used
20	321-6	Screw - Cap, Hex. Hd.	1
21	21-3610	Foam - Tank Support	1
23	2412-4	Clamp	1
27	63-9640	Hose - Fuel	1
28	43-4190	Fitting Assembly	1
29	3230-2	Bolt - Carriage	3
30	42-6080	Shim - Axle	A/R
31	231-101	Tire	2
32	23-7270	Nut - Wheel	10
33	217-117	Rim	2
34	232-31	Valve Stem w/Cap	2
35	71-4390	Front Axle Assembly	1
36	32144-67	Screw - Cap, Thd. Forming	4
37	32128-20	Nut - Flange	3
38	3253-21	Washer - Lock	2
39	2811-9	Street Elbow	1
40	289-37	Nipple - Pipe	1
41	23-5180	Dipstick	1
42	53-4430	Decal - Oil	1
*	231-90	Tube - Inner	2

*Not Illustrated



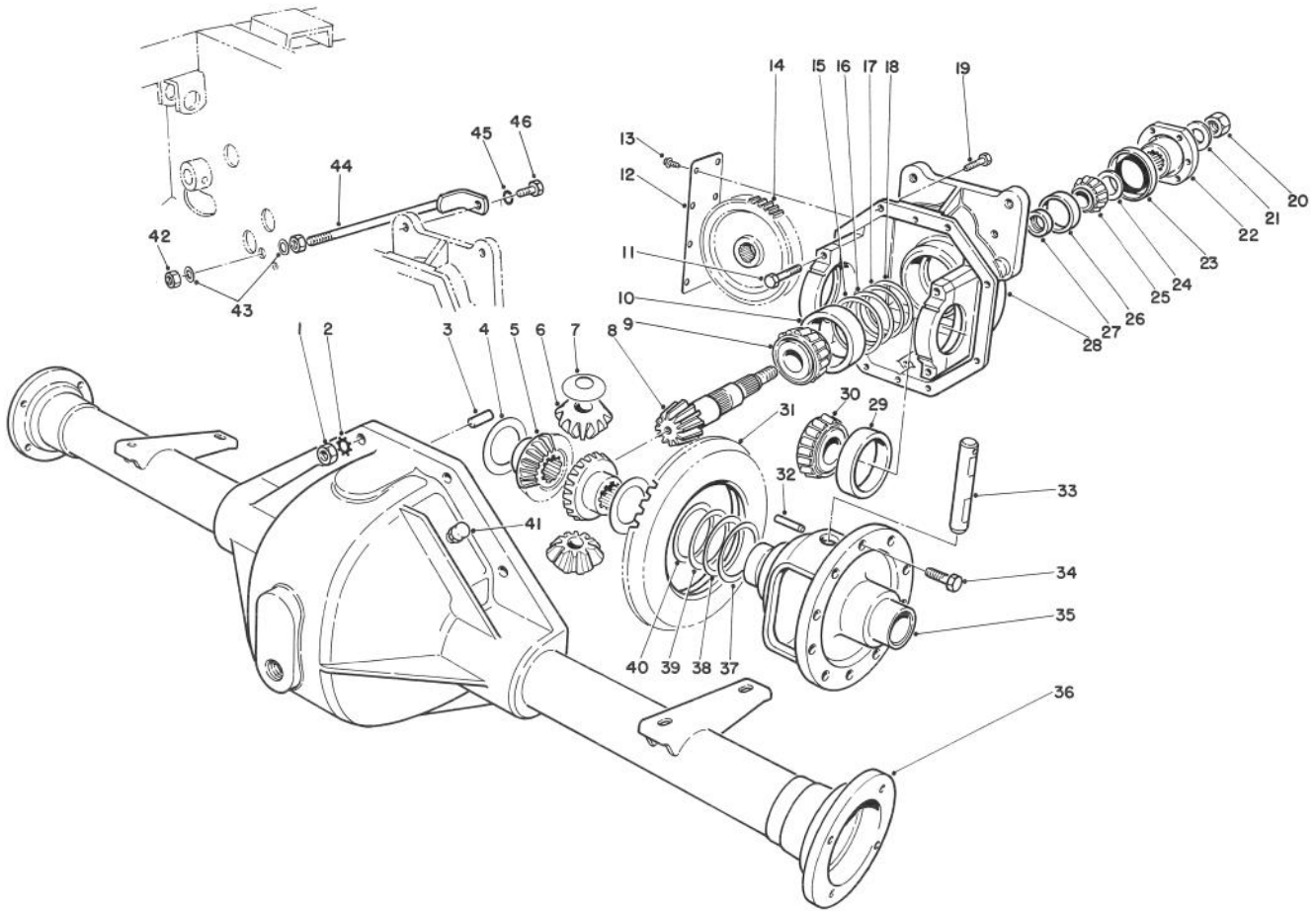
T-0905A

FRONT AXLE ASSEMBLY NO. 71-4390

Ref. No.	Part No.	Description	No. Used
1	3219-2	Nut	8
2	3255-8	Washer - Lock	8
3	21-8270	Pin - Dowel	2
4	21-7720	Washer - Thrust	2
5	24-8790	Gear - Bevel, Diff. Side	2
6	21-7690	Gear - Pinion	2
7	21-7730	Washer - Thrust	2
8		Pinion - Drive	1
9	43-6760	Cone - Bearing, Tapered	1
10	43-6750	Cup - Bearing, Tapered	1
11	324-23	Screw - Cap, Hex. Hd.	4
12	21-7830	Cover - Gear	1
13	12-5450	Screw - Thread Forming	8
14	21-8150	Gear - Spur	1
15	43-6710	Shim .003 - Diff. Adjust.	A/R
16	43-6711	Shim .005 - Diff. Adjust.	A/R
17	43-6712	Shim .010 - Diff. Adjust.	A/R
18	43-6713	Shim .030 - Diff. Adjust.	A/R
19	3210-7	Screw - Cap, Hex. Hd.	8
20	71-4350	Nut	1
21	71-4340	Washer	1
22	68-7010	Flange	1
23	71-4330	Seal	1
24	72-3570	Shim .094 - Diff. Adjust.	A/R
*	72-3571	Shim .096 - Diff. Adjust.	A/R
*	72-3572	Shim .098 - Diff. Adjust.	A/R
*	72-3573	Shim .100 - Diff. Adjust.	A/R
*	72-3574	Shim .102 - Diff. Adjust.	A/R
*	72-3575	Shim .104 - Diff. Adjust.	A/R

Ref. No.	Part No.	Description	No. Used
*	72-3576	Shim .106 - Diff. Adjust.	A/R
*	72-3577	Shim .108 - Diff. Adjust.	A/R
*	72-3578	Shim .110 - Diff. Adjust.	A/R
*	72-3580	Shim .112 - Diff. Adjust.	A/R
*	72-3581	Shim .114 - Diff. Adjust.	A/R
*	72-3582	Shim .116 - Diff. Adjust.	A/R
*	72-3583	Shim .118 - Diff. Adjust.	A/R
*	72-3584	Shim .120 - Diff. Adjust.	A/R
*	72-3585	Shim .125 - Diff. Adjust.	A/R
*	72-3586	Shim .127 - Diff. Adjust.	A/R
*	72-3587	Shim .129 - Diff. Adjust.	A/R
*	72-3588	Shim .131 - Diff. Adjust.	A/R
*	72-3590	Shim .133 - Diff. Adjust.	A/R
*	72-3591	Shim .135 - Diff. Adjust.	A/R
*	72-3592	Shim .137 - Diff. Adjust.	A/R
*	72-3593	Shim .139 - Diff. Adjust.	A/R
*	72-3594	Shim .141 - Diff. Adjust.	A/R
*	72-3595	Shim .143 - Diff. Adjust.	A/R
*	72-3596	Shim .145 - Diff. Adjust.	A/R
*	72-3597	Shim .147 - Diff. Adjust.	A/R
*	72-3598	Shim .149 - Diff. Adjust.	A/R
*	72-3600	Shim .151 - Diff. Adjust.	A/R
25	254-91	Cone - Bearing	1
26	254-90	Cup - Bearing	1
27	21-8020	Spacer - Bearing, Pinion Ft.	1
28	72-3610	Assembly - Carrier (Incl. Ref.#11)	1
29	254-66	Cup - Bearing, Tapered	2
30	254-65	Cone - Bearing, Tapered	2

*Not Illustrated



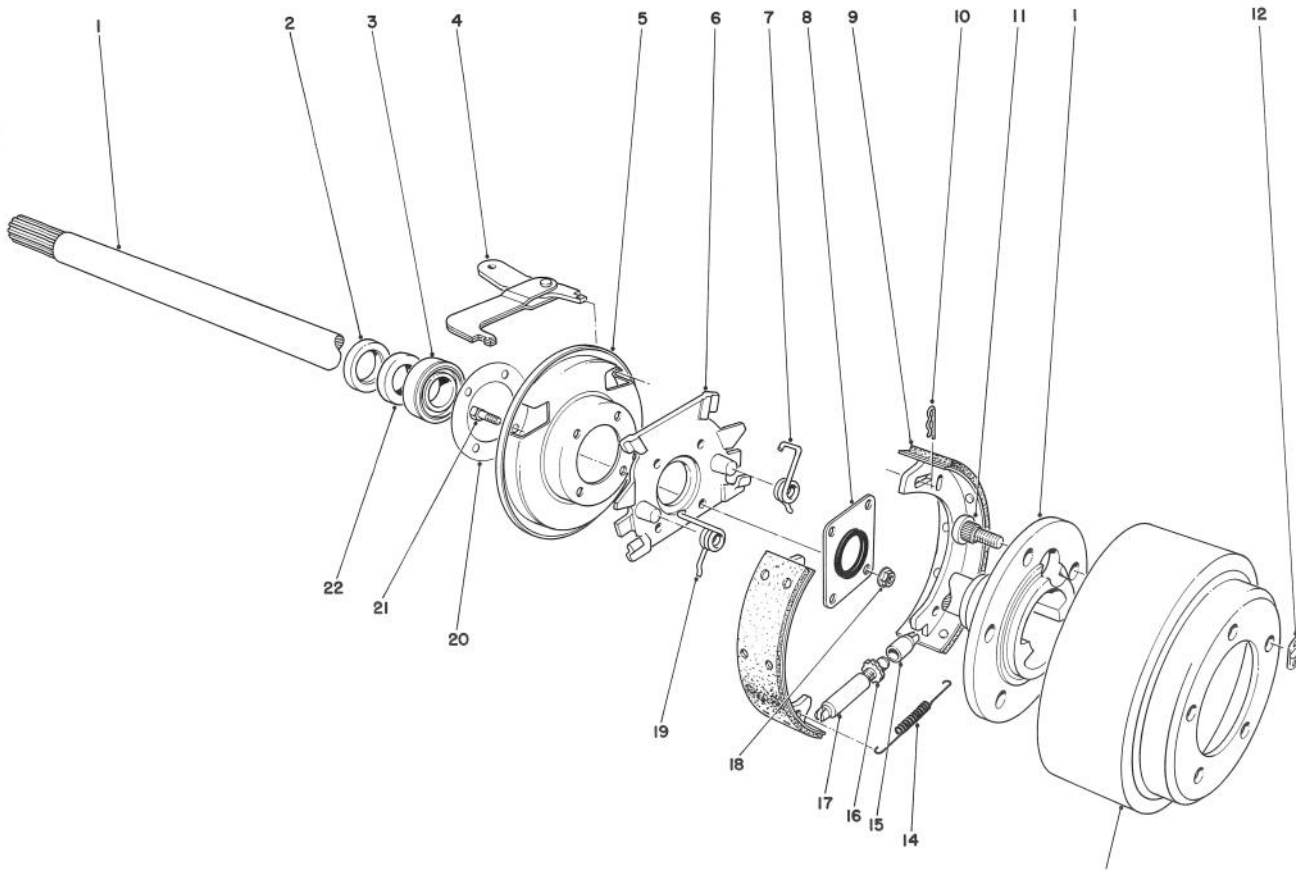
T-0905A

FRONT AXLE ASSEMBLY NO. 71-4390 (Continued)

Ref. No.	Part No.	Description	No. Used
31		Gear - Ring	1
32	32121-15	Pin - Roll	1
33	21-7700	Shaft - Pinion, Mate	1
34	21-7770	Screw - Gear, Drive	5
35	21-7670	Case - Differential	1
36	43-6840	Housing - Lower	1
37	21-8120	Shim .030 - Diff. Adjust.	A/R
38	21-8110	Shim .010 - Diff. Adjust.	A/R
39	21-8100	Shim .005 - Diff. Adjust.	A/R

Ref. No.	Part No.	Description	No. Used
40	21-8090	Shim .003 - Diff. Adjust.	A/R
41	72-9420	Vent Assembly	1
42	3217-9	Nut - Hex.	2
43	3256-6	Washer - Flat	2
44	24-9830	Support - Axle	1
45	3253-21	Washer - Lock	1
46	323-6	Screw - Cap Hex. Hd.	1
*	72-3620	Gear & Pinion Assembly (Incl. Ref. #8 & 31)	1

*Not Illustrated

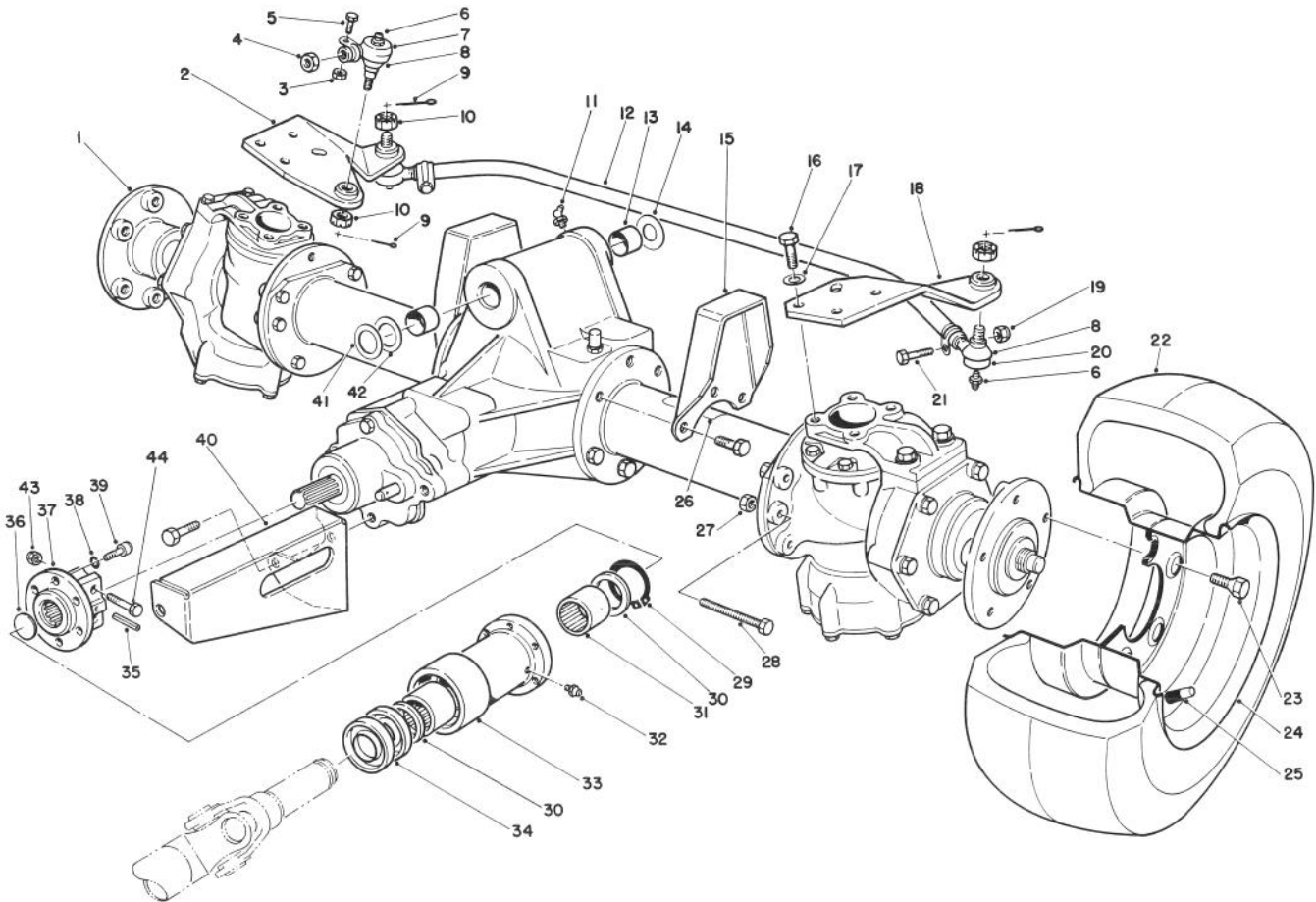


T-0421

BRAKE ASSEMBLY

Ref. No.	Part No.	Description	No. Used
1	28-0650	Shaft - Flanged, Axle	2
2	21-8330	Seal - Oil	2
3	21-8180	Bearing	2
4	24-9180	Strut & Lever Parking Brake	2
5	21-9450	Dust Shield	2
6	43-6810	Torque - Spider	2
7	21-9430	Spring - Shoe Return R.H.	2
8	28-0670	Seal - Oil	2
9	43-2690	Shoe & Lining Assembly	4
10	21-9460	Retainer - Brake Lever	4
11	242-34	Stud - Flanged, Axle	10

Ref. No.	Part No.	Description	No. Used
12	21-8360	Clip - Retaining	2
13	28-0680	Brake Drum	2
14	21-9440	Spring - Adjusting Screw	2
15	21-9390	Socket - Adjusting Screw	2
16	21-9370	Screw - Adjusting	2
17	21-9380	Nut - Pivot	2
18	43-6800	Nut - Lock	8
19	21-9420	Spring - Shoe Return L.H.	2
20	21-8320	Gasket - Wheel Bearing	2
21	24-8840	Ring - Wheel Bearing	2
22	28-0660	Screw - Cap, Hex. Hd.	8

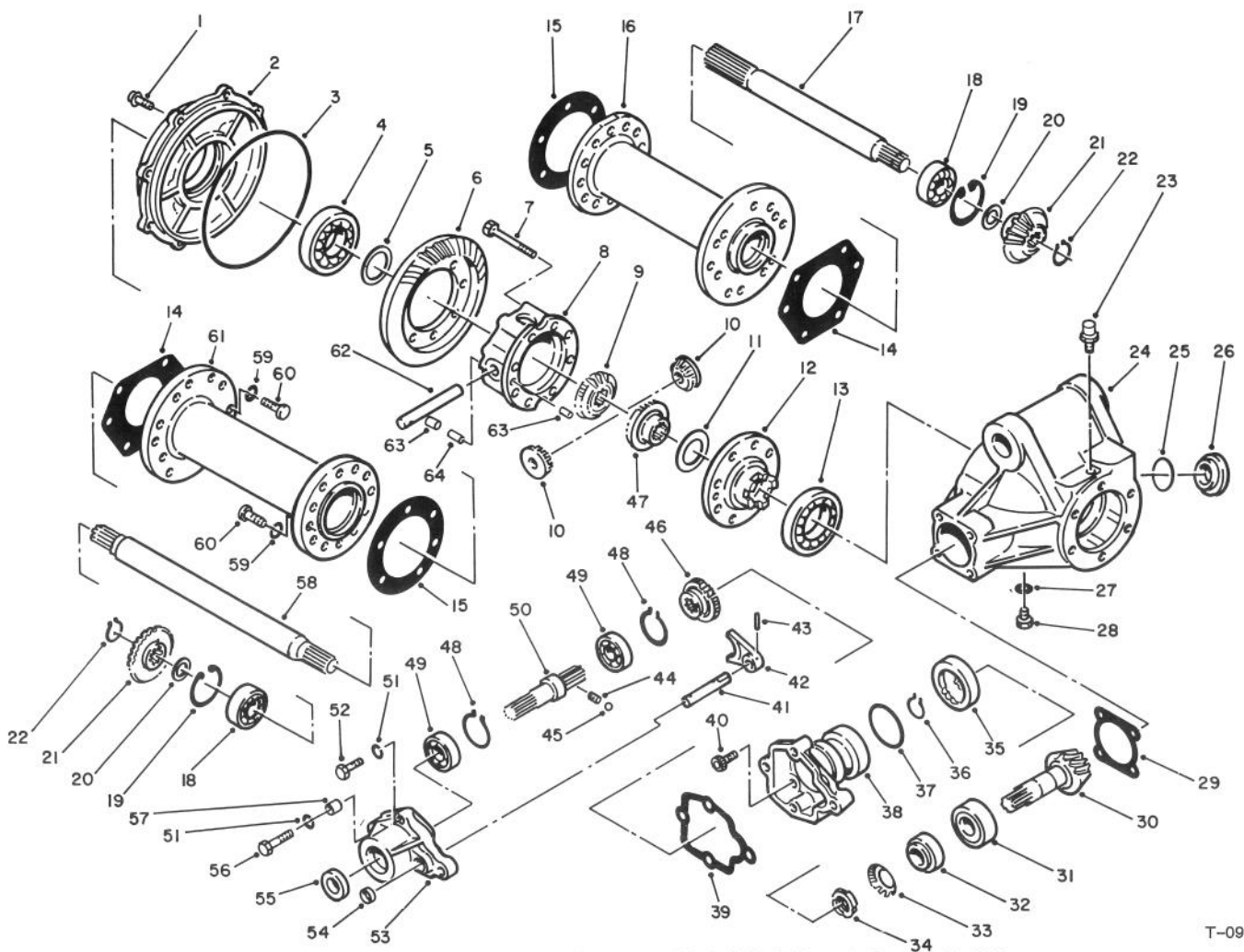


T-0903

STEERABLE AXLE ASSEMBLY

Ref. No.	Part No.	Description	No. Used	Ref. No.	Part No.	Description	No. Used
1	68-6820	Axle - Drive, Steerable	1	21	323-9	Screw - Cap, Hex. Hd.	2
2	68-6910	Arm - R.H., Steering	1	22	231-122	Tire	2
3	3296-43	Nut - Lock	1	23	71-4450	Bolt - Wheel	10
4	3220-5	Nut - Jam	1	24	217-106	Wheel	2
5	3210-7	Screw - Cap, Hex. Hd.	1	25	232-31	Stem - Valve	2
6	302-55	Fitting - Grease	3	26	70-2560	Decal - Lube	1
7	68-6870	Rod End (Incl. Ref.#3, 5, 6, 8 & 10)	1	27	48-7960	Nut	2
8	71-4760	Seal - Rod	3	28	71-4690	Screw - Cap, Hex. Hd.	2
9	3272-11	Pin - Cotter	3	29	32151-87	Ring - Retaining	1
10	32136-13	Nut - Slotted	3	30	71-4590	Washer - Thrust	2
11	302-11	Fitting - Grease	1	31	71-4580	Clutch - Roller	2
12	71-4750	Tube & Clamp Assembly	1	32	302-5	Fitting - Grease	1
*	71-4530	Tie Rod Assembly (Incl. Ref.#6, 8, 10, 12, & 19-21)	1	33	71-4570	Housing - Clutch,	1
13	67-1750	Bushing	2	34	253-155	Seal	2
14	71-4540	Washer - Thrust	1	35	32121-34	Pin - Roll	1
15	68-6990	Stop - Oscillation	2	36	284-3	Plug - Welch	1
16	48-7780	Screw - Cap, Hex. Hd.	8	37	76-4690	Coupling - Axle	1
17	48-9220	Washer - Flat	8	38	3253-3	Washer - Lock	6
18	68-6930	Arm - L.H., Steering	1	39	3274-8	Screw - Cap, Hex. Hd.	6
19	3296-39	Nut - Lock	2	40	68-6880	Bracket - Clutch, Cable	1
20	71-4740	Rod End (Incl. Ref. #6, 8 & 10)	2	41	56-2460	Washer - Flat	A/R
				42	5-1226	Washer	A/R
				43	3296-29	Nut - Lock	2
				44	322-8	Screw - Cap, Hex. Hd.	2

*Not Illustrated



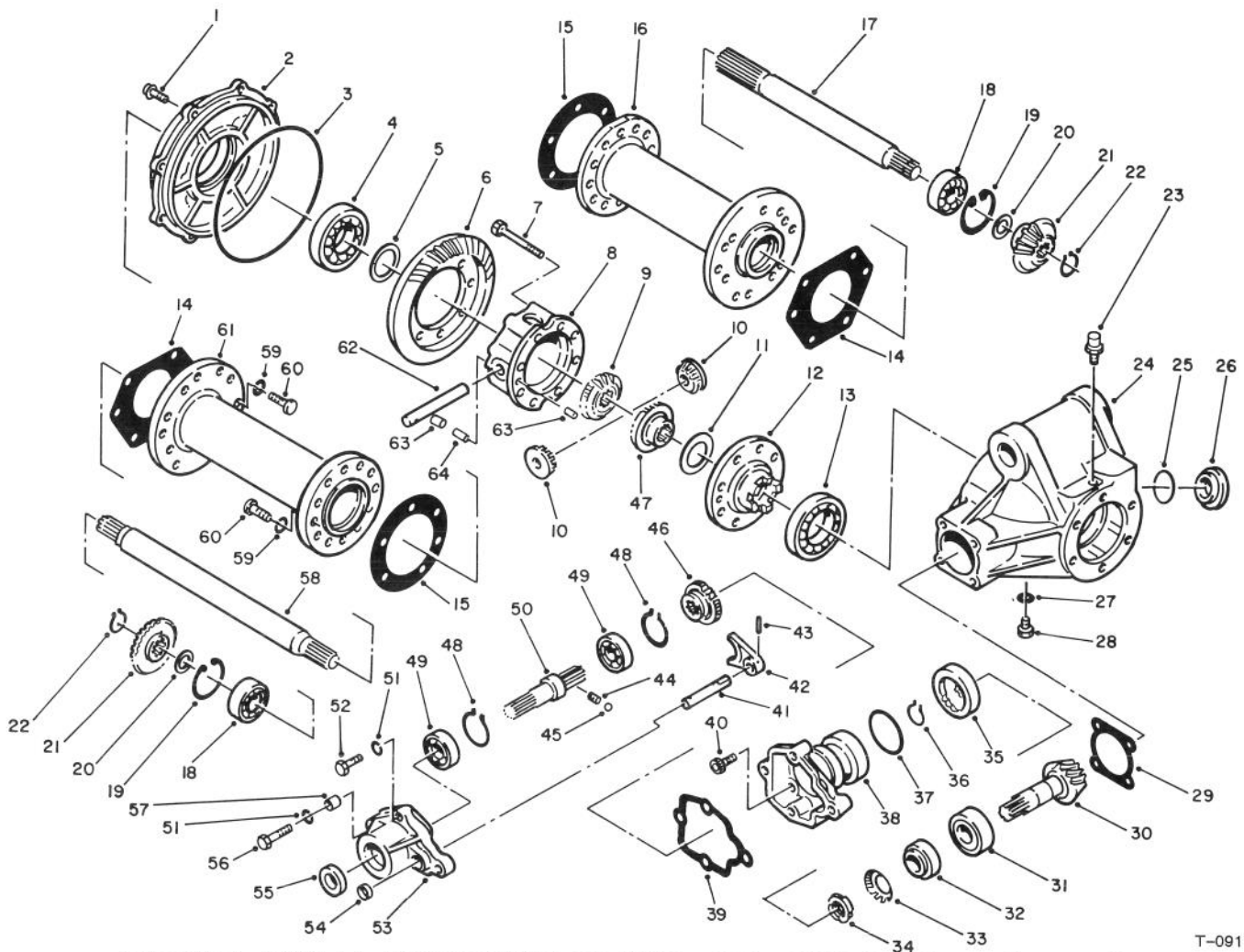
T-0911

REAR AXLE ASSEMBLY NO. 68-6820

Ref. No.	Part No.	Description	No. Used
1	72-5800	Bolt	8
2	72-4880	Cover	1
3	72-4890	O-Ring	1
4	251-344	Bearing - Ball	1
5	72-4960	Shim .1 mm	1
*	72-4970	Shim .15 mm	1
*	72-4980	Shim .5 mm	1
*	72-4990	Shim .8 mm	1
*	72-5000	Shim 1.0 mm	1
*	72-5010	Shim 1.2 mm	1
6		Gear - Bevel	1
7	72-5810	Bolt	8
8	72-4900	Case - Differential	1
9	72-4930	Gear - Side, Differential	1
10	72-4950	Gear - Pinion, Differential	2
11	72-5040	Washer - Gear, Diff.	1
12	72-4910	Flange - Case, Diff.	1
13	251-345	Bearing - Ball	1
14	72-5080	Gasket	2
15	72-5070	Gasket	2
16	72-5050	Tube - Axle, R.H.	1
17	72-5060	Axle - R.H.	1
18	251-350	Bearing - Ball	2
19	72-5360	Ring - Retaining	2

Ref. No.	Part No.	Description	No. Used
20	72-5100	Spacer	2
21	72-5090	Bear - Bevel	2
22	72-5370	Ring - Retaining	2
23	72-5130	Vent	1
24	72-4870	Case - Differential	1
25	72-5140	O-Ring	1
26	72-5150	Plug	1
27	72-5840	Gasket	1
28	72-5820	Plug	1
29	72-5160	Shim .1mm	1
*	72-5170	Shim .15 mm	1
*	72-5180	Shim .5 mm	1
*	72-5190	Shim .8 mm	1
*	72-5200	Shim 1.0 mm	1
*	72-5210	Shim 1.2 mm	1
30		Gear - Pinion	1
31	254-108	Bearing - Roller, Tapered	1
32	254-109	Bearing - Roller, Tapered	1
33	72-5250	Washer	1
34	72-5260	Nut	1
35	72-5280	Clutch - Outer	1
36	72-5380	Ring - Retaining	1
37	72-5460	O-Ring	1
38	72-5270	Case	1

*Not Illustrated



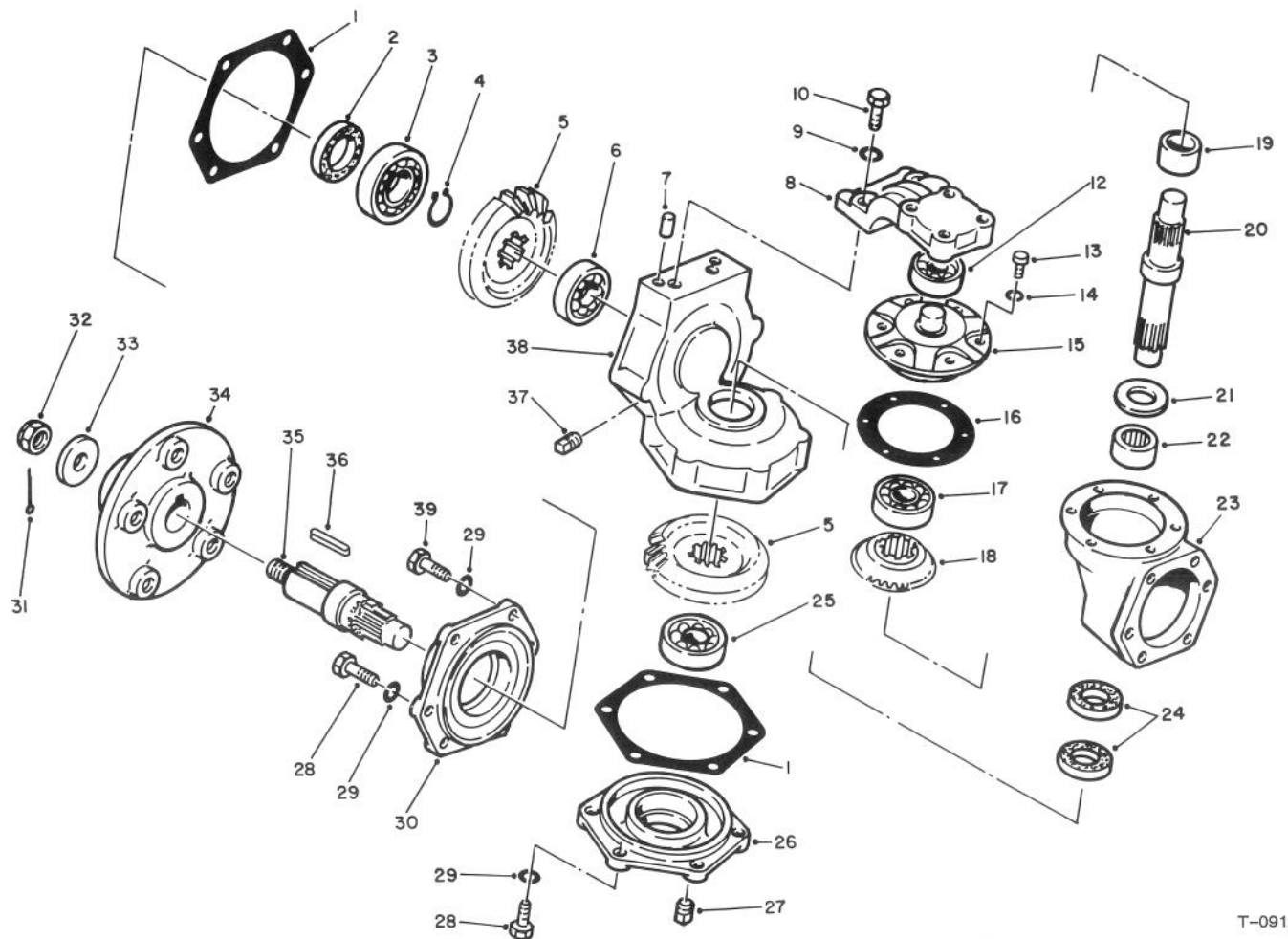
T-0911

REAR AXLE ASSEMBLY NO. 68-6820 (Continued)

Ref. No.	Part No.	Description	No. Used
39	72-5290	Gasket	1
40	72-5830	Bolt - Socket Hd.	4
41	72-5330	Rod - Clutch	1
42	72-5320	Fork - Clutch	1
43	72-5450	Pin - Spring	1
44	72-5350	Spring	1
45	72-5470	Ball - Steel	1
46	72-5310	Clutch - Inner	1
47	72-4940	Gear - Side, Differential	1
48	72-5390	Ring - Retaining	2
49	251-346	Bearing - Ball	2
50	72-5340	Shaft - Input	1
51	42-9850	Washer - Lock M8	4
52	48-7730	Bolt - M8 x 30	2

Ref. No.	Part No.	Description	No. Used
53	72-5300	Cover - Clutch	1
54	72-5500	Seal - Oil	1
55	72-5490	Seal - Oil	1
56	63-4360	Bolt - M8 x 40	2
57	72-5480	Dowel	2
58	72-5120	Axle - L.H.	1
59	42-9600	Washer - Lock M10	24
60	48-9470	Bolt - M10 x 30	24
61	72-5110	Tube - Axle, L.H.	1
62	72-5020	Shaft - Pinion	1
63	72-5030	Pin - Dowel	2
64	72-5440	Pin - Spring	1
*	77-2970	Ring & Pinion Assembly (Incl. Ref.#6 & 30)	1

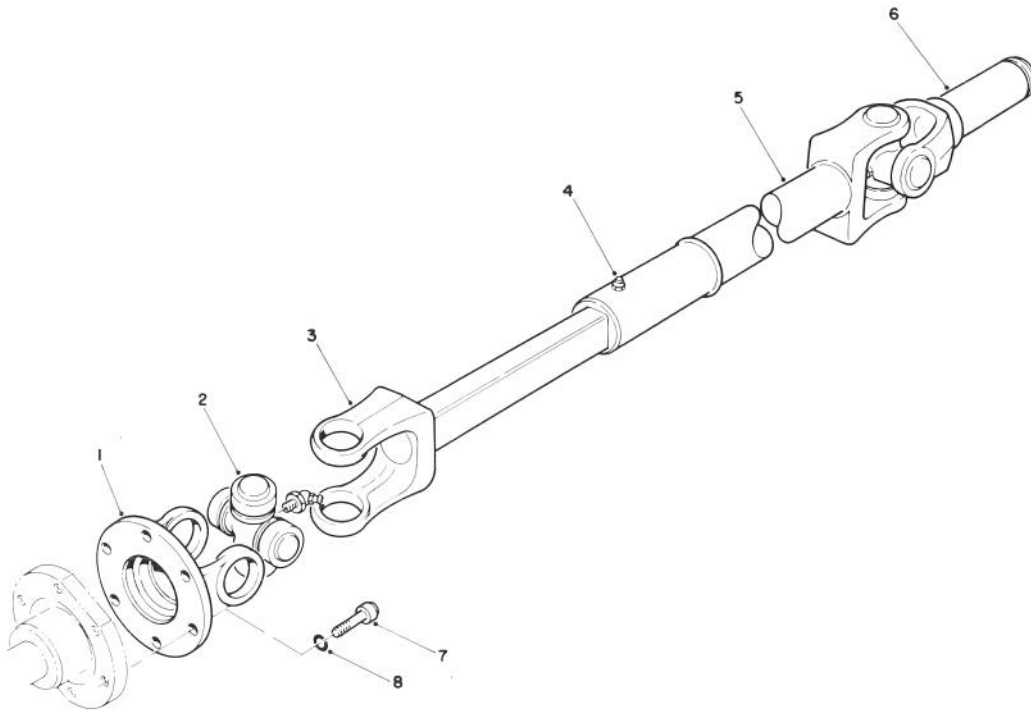
*Not Illustrated



T-0912

STEERING KNUCKLE ASSEMBLY

Ref. No.	Part No.	Description	No. Used	Ref. No.	Part No.	Description	No. Used
1	72-5620	Gasket	4	21	72-5600	Washer - Thrust	2
2	72-5740	Seal - Oil	2	22	72-5640	Bearing - Needle	2
3	251-348	Bearing - Ball	2	23	72-5510	Gear Box - Axle	2
4	72-5720	Ring - Retaining	2	24	72-5730	Seal - Oil	4
5	72-5580	Gear - Bevel	4	25	251-263	Bearing - Ball	2
6	251-8	Bearing - Ball	2	26	72-5550	Cover	2
7	72-5670	Pin - Dowel	4	27	281-10	Plug - Socket, Hex.	2
8	77-2980	Arm - Knuckle	2	28	48-9460	Screw - Cap, M8 x 25	20
9	42-9600	Washer - Lock	28	29	42-9850	Washer - Lock, M8	28
10	48-9470	Screw - Cap, M10 x 30	4	30	72-5540	Case - Knuckle	2
12	251-347	Bearing - Ball	2	31	3272-17	Pin - Cotter	2
13	72-5790	Screw - Cap, M6 x 18	12	32	72-5770	Nut - Castell	2
14	43-5930	Washer - Lock	12	33	72-5660	Washer - Shaft, Wheel	2
15	72-5590	Retainer - Bearing	2	34	72-5650	Hub - Wheel	2
16	72-5630	Gasket	2	35	72-5570	Shaft - Axle, Outer	2
17	251-349	Bearing - Ball	2	36	72-5780	Key	2
18	72-5090	Gear - Bevel	2	37	281-7	Plug - Pipe, Square Hd.	2
19	72-5680	Spacer	2	38	72-5520	Case - Knuckle	2
20	72-5560	Pin - King, Knuckle	2	39	48-7710	Screw - Cap, M8 x 20	4



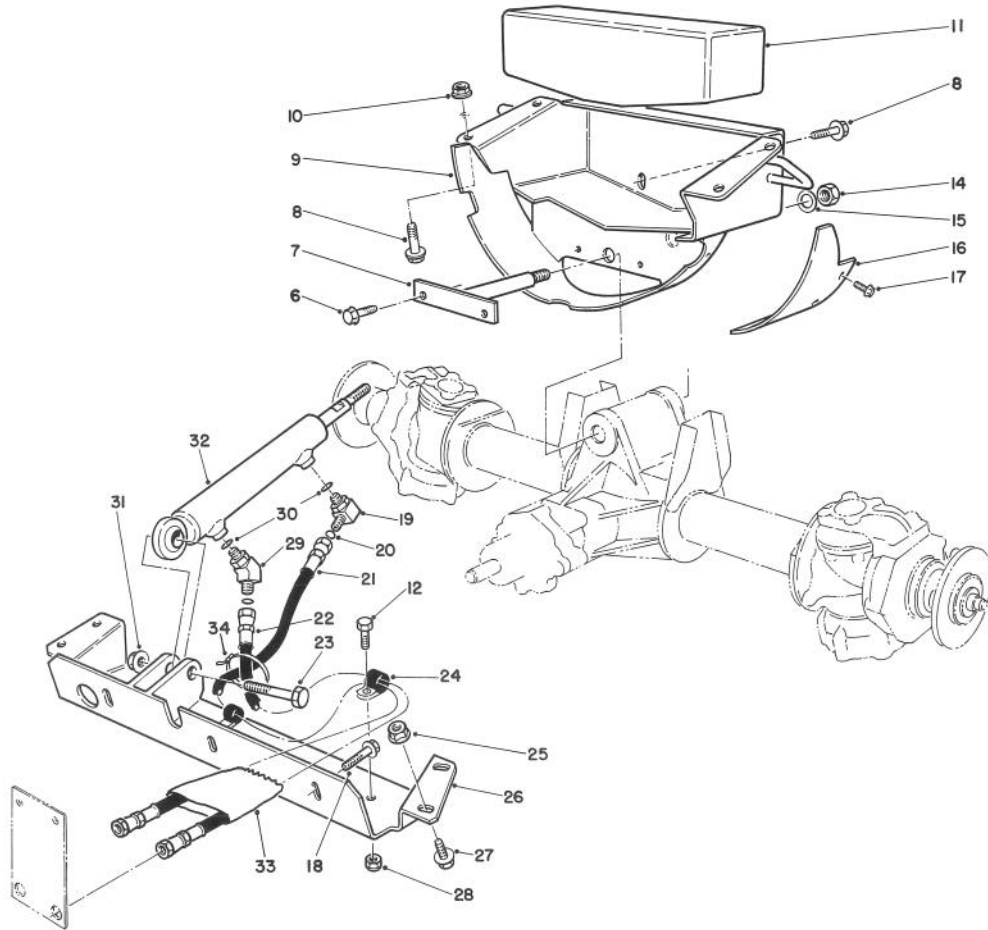
T-0906

DRIVE SHAFT ASSEMBLY NO. 71-4550

Ref. No.	Part No.	Description	No. Used
1	72-3410	Yoke - Flange	1
2	54-9180	Kit - Universal Joint	1
3	72-3420	Shaft - Yoke, Slip	1
4	302-58	Fitting - Grease	1
5	72-3430	Tube - Yoke, Slip	1

Ref. No.	Part No.	Description	No. Used
6	72-3440	Yoke - Shaft	1
7	3274-8	Screw - Cap, Soc. Hd.	6
8	3253-3	Washer - Lock	6
*	71-4550	Driveshaft (Complete)	1

*Not Illustrated

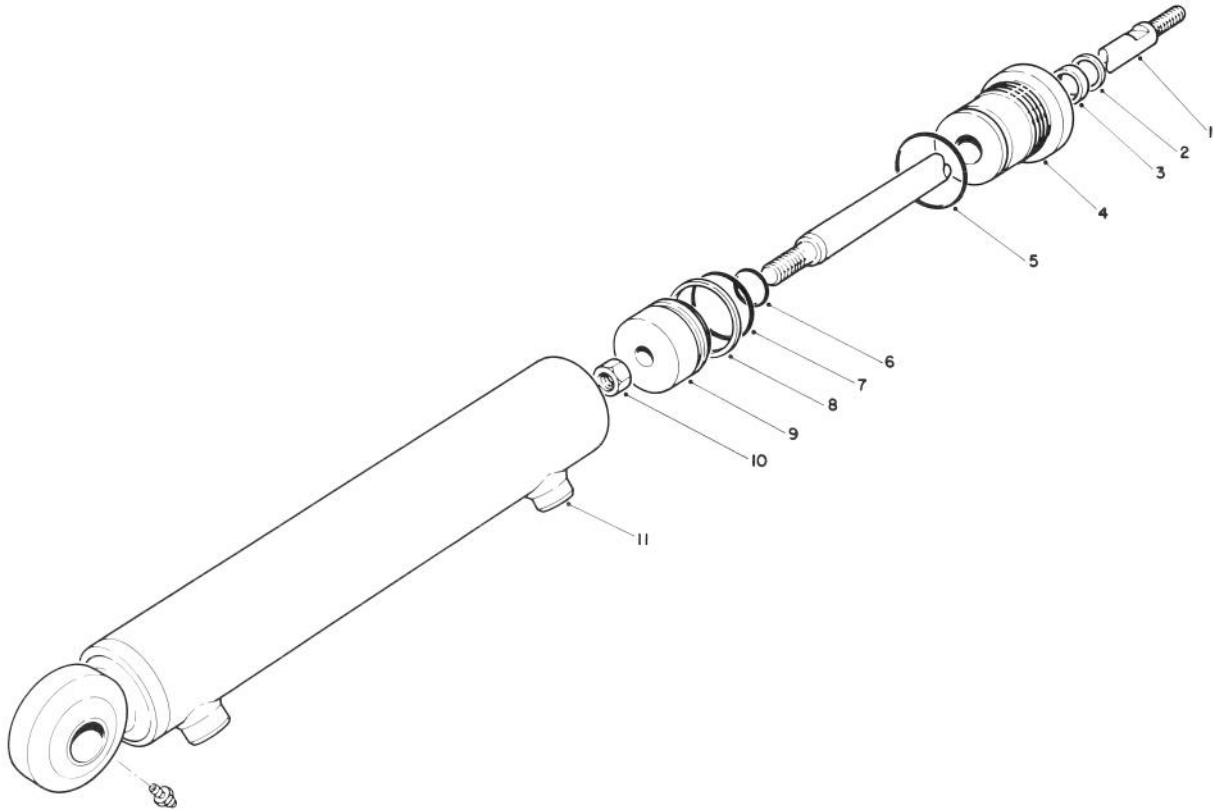


T-0908A

AXLE SUPPORT & STEERING CROSS MEMBER

Ref. No.	Part No.	Description	No. Used	Ref. No.	Part No.	Description	No. Used
6	3234-14	Screw - Flange, Hex. Hd.	2	21	71-4430	Hose Assy. - Steering	1
7	67-8170	Pin W.A. - Axle, Rear	1	22	68-9710	Hose Assy. - Steering	1
8	3234-32	Screw - Flange, Hex. Hd.	6	23	328-25	Screw - Cap, Hex. Hd.	1
9	67-8130	Support W.A. - Axle	1	24	2412-39	Clamp	2
10	32128-23	Nut - Lock, Flange	4	25	32128-21	Nut - Flange	4
11	67-8960	Weight - Rear	1	26	68-6950	Cross Member W.A.	1
12	322-5	Screw - Cap, Hex. Hd.	2	27	3234-25	Screw - Flange, Hex. Hd.	4
14	32146-20	Nut	1	28	3296-20	Nut - Lock	2
15	71-4540	Washer - Thrust	2	29	340-54	Fitting	1
16	71-4850	Cover - Guard, Flywheel	1	30	237-78	O-Ring	2
17	32144-10	Screw - Thread Forming	2	31	32128-45	Nut - Flange	1
18	3234-24	Screw - Flange, Hex. Hd.	3	32	68-6860	Cylinder - Hyd., Steering	1
19	340-97	Elbow - Fitting	1	33	70-1390	Sleeve - Protective	1
20	237-22	O-Ring	2	34	3290-379	Tie - Cable	1

†Included in 13-5609, Ref. #3, Page 1



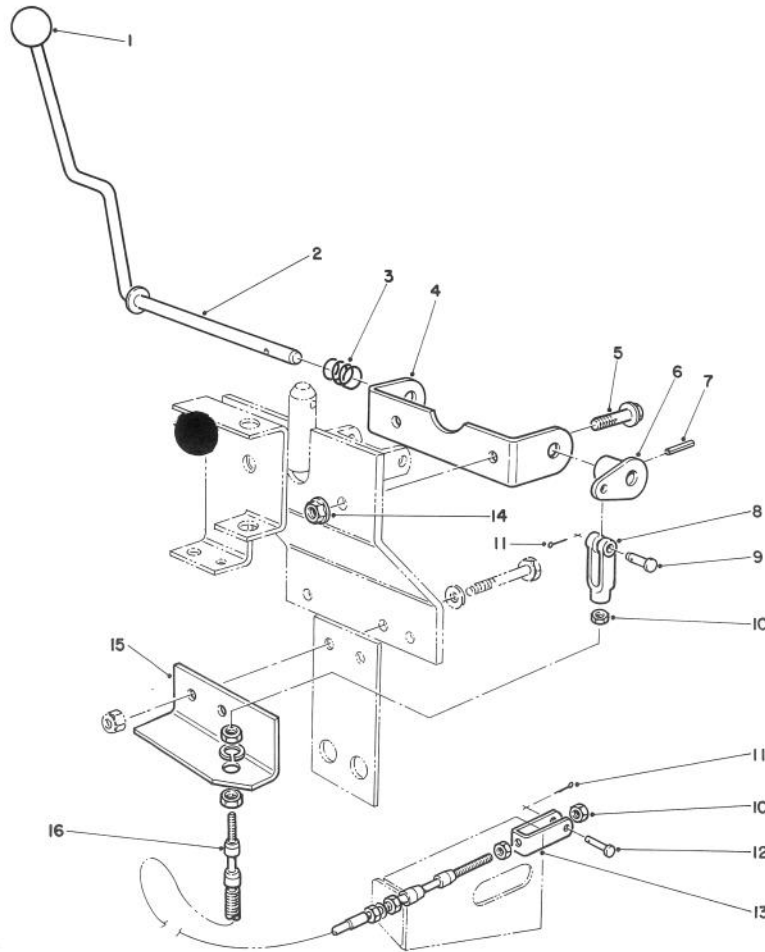
T-0904

STEERING CYLINDER PART NO. 68-6860

Ref. No.	Part No.	Description	No. Used
1	72-3520	Rod	1
2		Wiper	1
3		U-Cup	1
4	72-3520	Head - Internal	1
5		O-Ring	1
6		O-Ring	1
7		O-Ring	1

Ref. No.	Part No.	Description	No. Used
8		Ring - Piston	1
9	72-3500	Piston	1
10	72-3490	Nut	1
11	72-3510	Barrel Assembly	1
*	72-3480	Kit - Seal (Incl. Ref.#2, 3, & 5-8)	1

*Not Illustrated

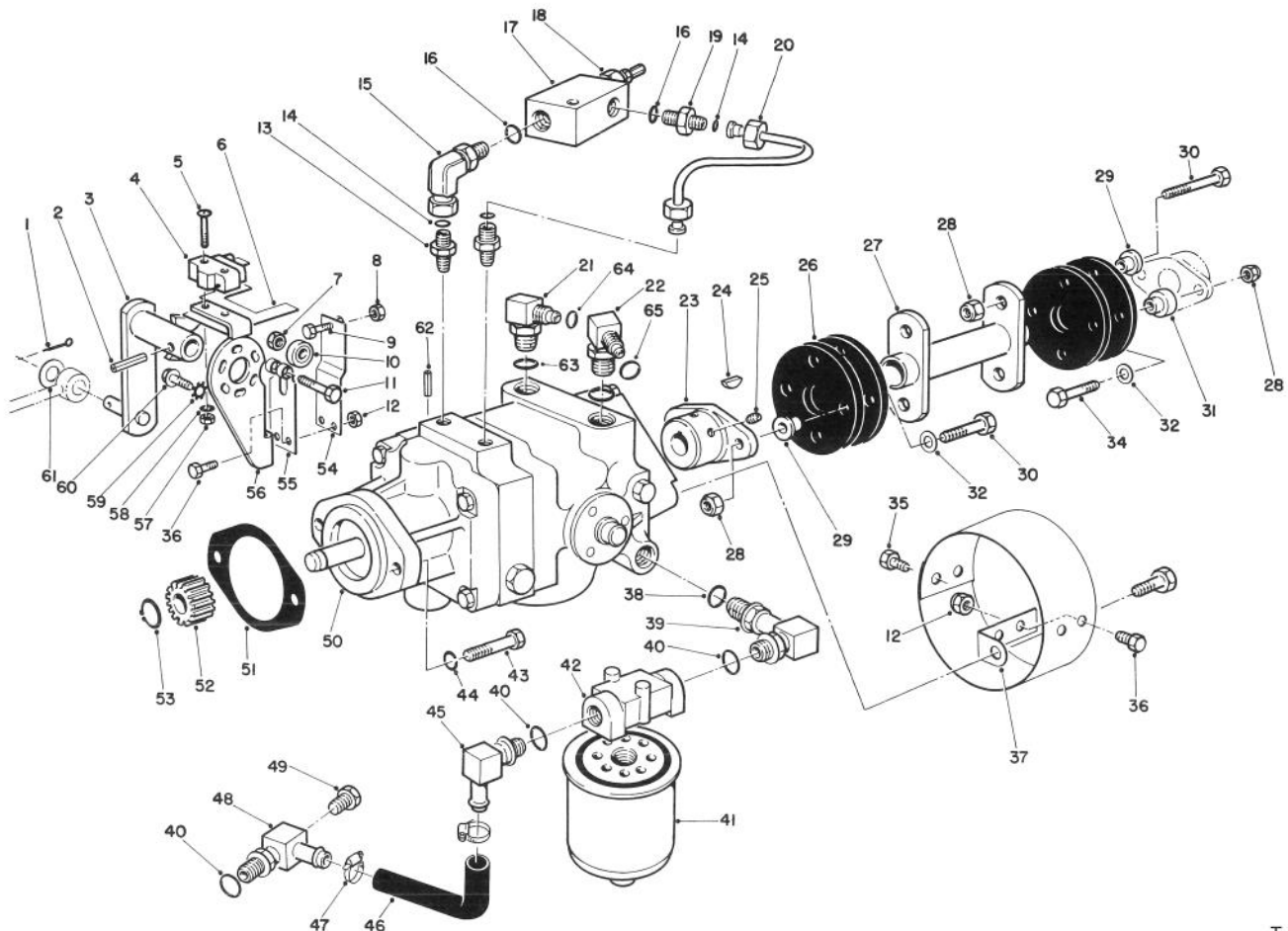


T-0907A

CLUTCH ENGAGEMENT ASSEMBLY

Ref. No.	Part No.	Description	No. Used
1	233-21	Knob	1
2	71-4610	Handle W.A.	1
3	5-1747	Spring - Compression	1
4	71-4640	Bracket - Lever, Shaft	1
5	3234-11	Screw - Flange, Hex. Hd.	2
6	71-4650	Lever W.A.	1
7	32121-5	Pin - Roll	1
8	282-17	Clevis	1
9	283-3	Pin - Clevis	1

Ref. No.	Part No.	Description	No. Used
10	3220-1	Nut - Jam	3
11	3272-1	Pin - Cotter	2
12	283-17	Pin - Clevis	1
13	68-6890	Clevis	1
14	32128-21	Nut - Flange, Lock	2
15	71-4630	Mount - Cable	1
16	71-4680	Cable Assembly	1



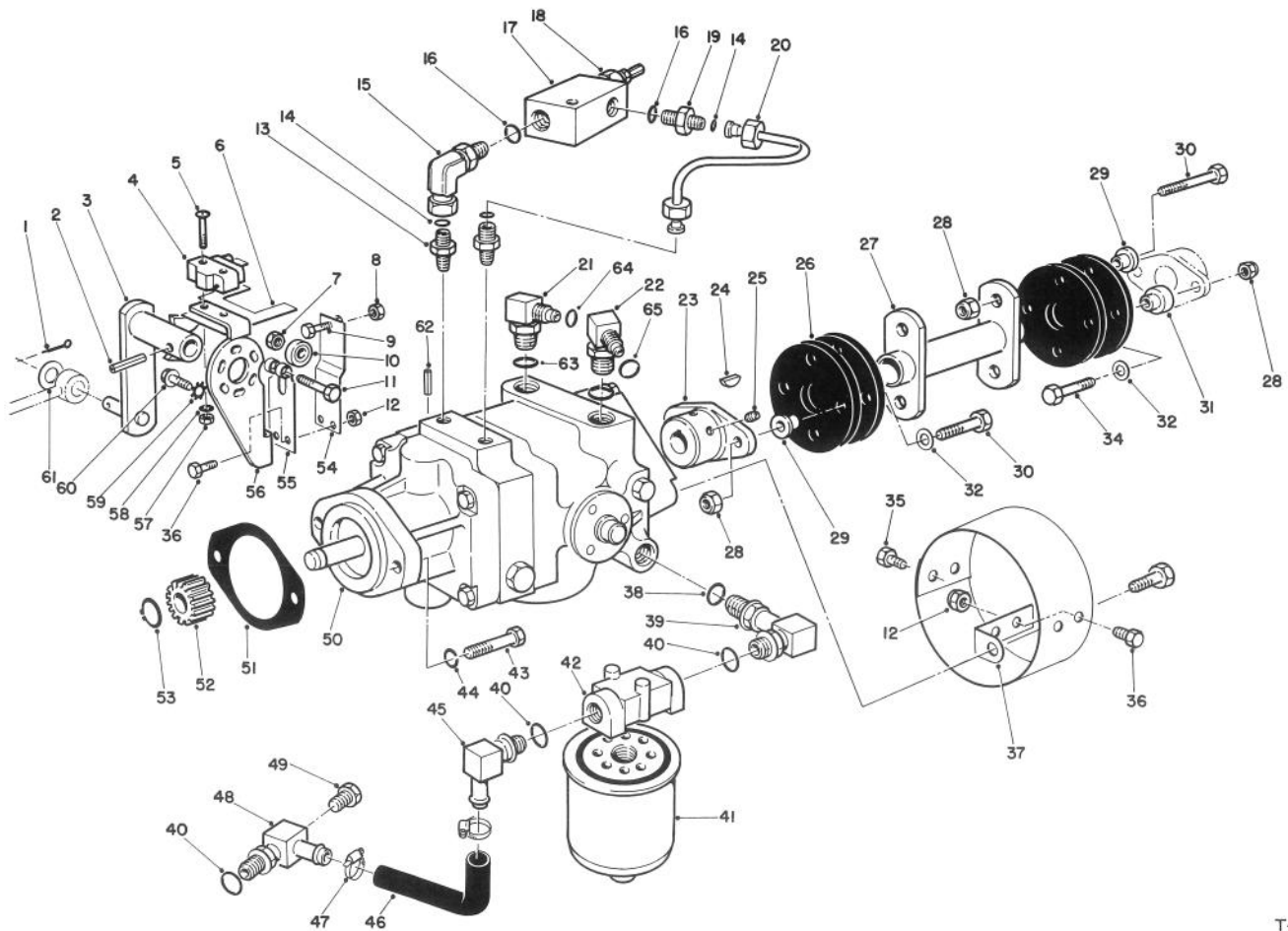
T-0909

HYDROSTATIC TRANSMISSION

Ref. No.	Part No.	Description	No. Used
1	3272-10	Pin - Cotter	1
2	32121-24	Pin - Roll	1
3	28-9570	Lever - Pump	1
4	29-6163	Switch - Micro	1
5	3249-11	Screw - Mach. Rd. Hd.	2
6	46-8810	Stop - Leaf, Spring	1
7	3296-29	Nut - Lock	1
8	3219-2	Nut - Hex	1
9	3210-7	Screw - Cap, Hex. Hd.	1
10	251-259	Bearing - Ball	1
11	322-17	Screw - Cap, Hex. Hd.	1
12	3296-42	Nut - Lock	6
13	340-107	Fitting - Straight	2
14	237-21	O-Ring	3
15	340-143	Elbow - Swivel	1
16	237-78	O-Ring	2
17	72-3710	Body - Valve, Relief	1
18	72-3720	Cartridge - Valve, Relief	1
*	72-3730	Seal Kit (Relief Valve)	1
*	72-3540	Valve - Relief Adj. (Incl. Ref.#17 & 18)	1
19	340-92	Adapter - Straight	1
20	72-3550	Tube Assembly	1
21	340-77	Elbow - Fitting	1
22	340-99	Elbow - Fitting	1
23	33-4380	Hub - Pump	1

Ref. No.	Part No.	Description	No. Used
24	3257-32	Key - Woodruff	1
25	3241-5	Screw - Set, Sq. Hd.	2
26	44-2230	Coupling - Rubber	4
27	71-4400	Coupling - Drive	1
28	32152-1	Nut - Lock	8
29	71-4411	Spacer - Coupling, Rubber	6
30	322-8	Screw - Cap, Hex. Hd.	6
31	71-4410	Spacer - Coupling, Rubber	2
32	3256-3	Washer - Flat	4
34	322-10	Screw - Cap, Hex. Hd.	2
35	321-2	Screw - Cap, Hex. Hd.	2
36	321-4	Screw - Cap, Hex. Hd.	4
37	54-9240	Bracket	2
38	237-80	O-Ring	1
39	68-8660	Elbow - Fitting	1
40	237-81	O-Ring	3
41	67-8110	Filter - Oil	1
42	68-8990	Head - Filter	1
43	323-7	Screw - Cap, Hex. Hd.	2
44	3253-21	Washer - Lock	2
45	353-987	Elbow - Fitting	1
46	68-9650	Hose - Axle	1
47	2412-34	Clamp - Hose	2
48	70-2620	Elbow - Fitting	1
49	353-508	Plug - Drain	1
50	71-4370	Transmission - Inline	1

*Not Illustrated

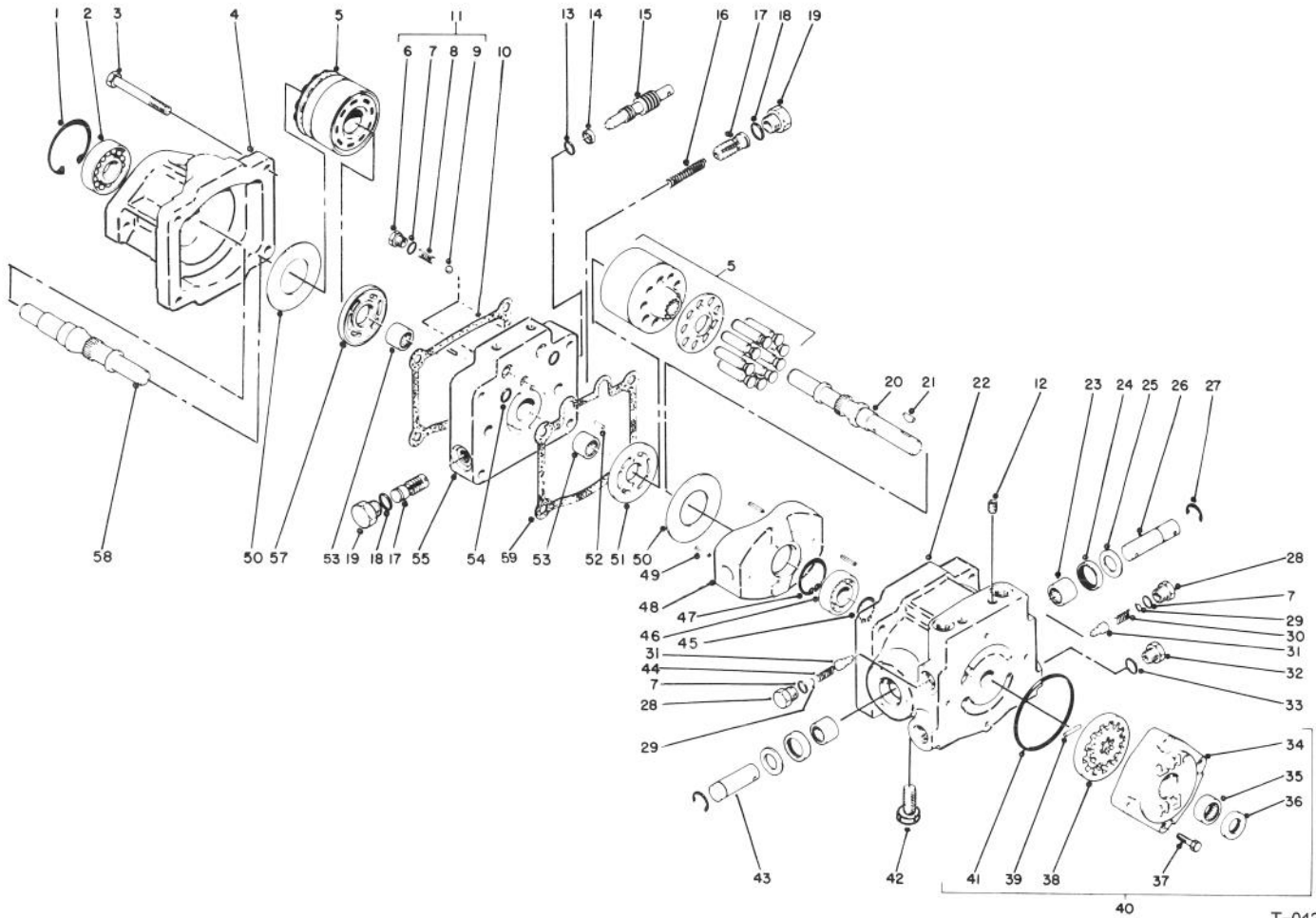


T-0909

HYDROSTATIC TRANSMISSION (Continued)

Ref. No.	Part No.	Description	No. Used
51	41-8760	Gasket - Transmission	1
52	23-4810	Gear - Output, Trans.	1
53	32120-72	Ring - Retaining	1
54	29-6170	Spring - Leaf, Extended	1
55	29-6150	Spring - Leaf	1
56	29-6120	Plate - Pump	1
57	3217-6	Nut - Hex	2
58	3254-9	Washer - Lock	2

Ref. No.	Part No.	Description	No. Used
59	3255-7	Washer - Lock	3
60	11-9760	Screw - Self Tapping	3
61	3256-6	Washer - Flat	1
62	32121-6	Pin - Roll	1
63	237-42	O-Ring	2
64	237-22	O-Ring	1
65	237-30	O-Ring	1

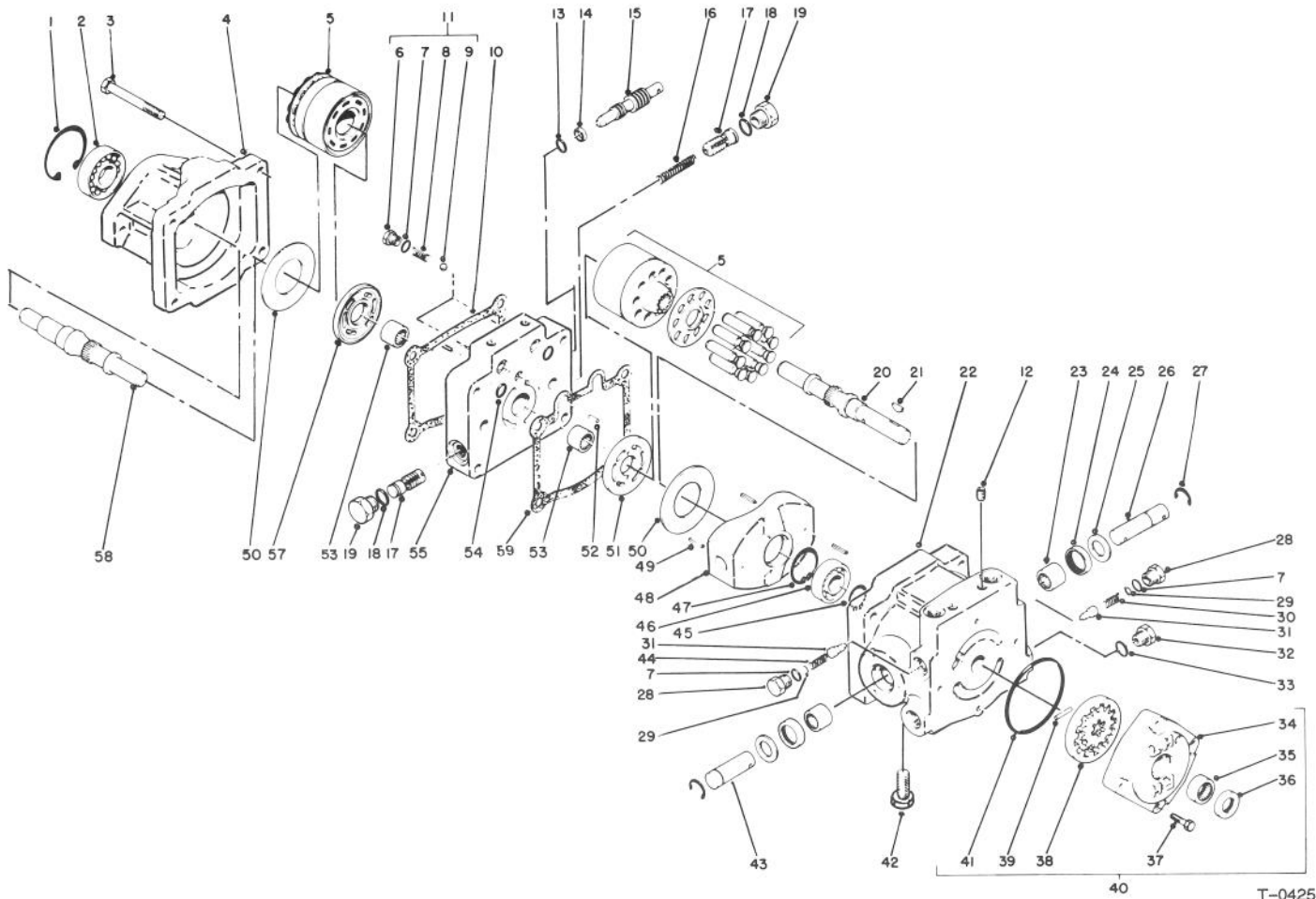


T-0425

TRANSMISSION ASSEMBLY NO. 71-4370

Ref. No.	Part No.	Description	No. Used
1	32120-8	Ring - Retaining	1
2	72-3750	Bearing - Ball	1
3	323-13	Screw - Cap, Hex. Hd.	4
4	67-9080	Housing - Motor	1
5	48-1800	Cylinder Block Kit	2
6	25-2650	Check Valve Plug	2
7	237-86	O-Ring	4
8	252640	Valve Spring	2
9	252490	Ball	2
10	67-9100	Gasket	1
11	25-3180	Check Valve Kit (Incl. Ref. #6-9)	2
12	285-17	Pipe Plug	6
13	237-22	O-Ring	1
14	25-2630	Back-Up Ring	1
15	25-2620	By-Pass Valve	1
16	252610	Accel. Valve Spring	1
17	25-2410	Accel. Valve Assembly	2
18	76-1900	O-Ring	2
19	353-550	Plug - Hex. Hd.	2
20	75-9560	Pump Shaft	1
21	3257-32	Key - Woodruff	1
22	54-7890	Pump Housing (Incl. Ref. #12 & 23-25)	1
23	252-82	Bearing - Bearing	2
24	25-3210	Lip Seal	2

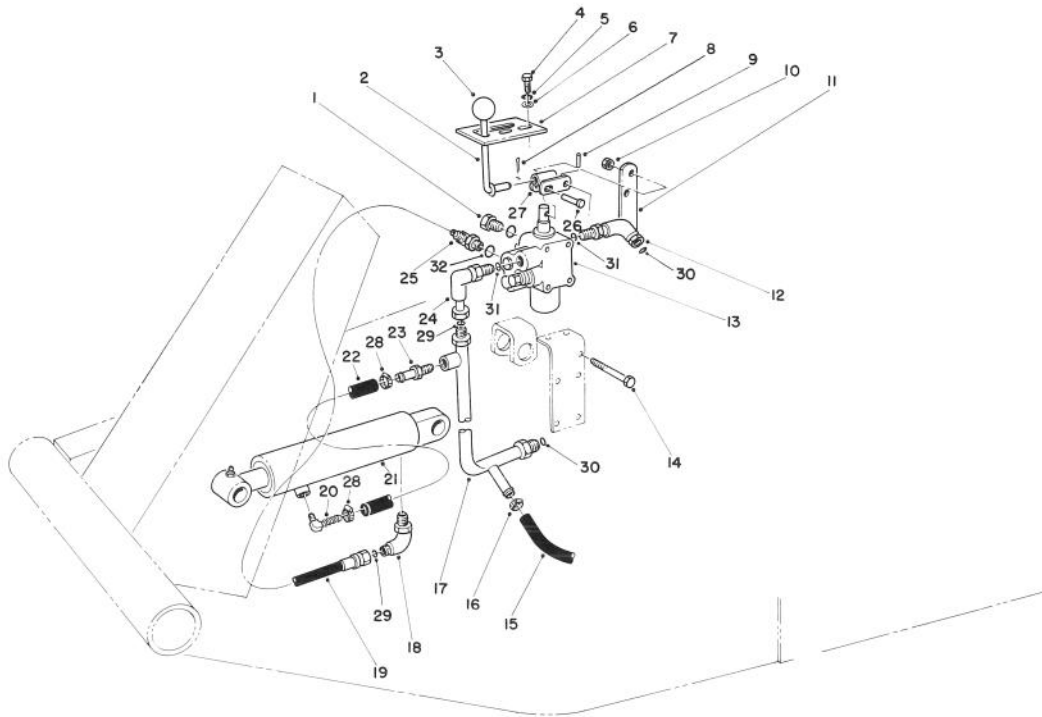
Ref. No.	Part No.	Description	No. Used
25	25-2510	Washer - Flat	2
26	25-2580	Trunion Shaft	1
27	32151-46	Ring - Retaining	2
28	25-2460	Plug - Hex. Hd.	2
29	25-2470	Shim Pack	2
30	25-2570	Valve Spring	1
31	25-2560	Relief Valve Cone	2
32	353-551	Plug - Hex. Hd.	1
33	237-80	O-Ring	1
34	25-2550	Charge Pump Housing	1
35	67-8050	Bearing - Needle	1
36	67-8060	Lip Seal	1
37	322-4	Screw - Cap, Hex. Hd.	4
38	25-2680	Gerotor Assembly	1
39	25-2530	Headless Straight Pin	1
40	25-3190	Charge Pump (Incl. Ref. #34-39 & 41)	1
41	237-95	O-Ring	1
42	67-9090	Plug	1
43	25-2500	Trunion Shaft	1
44	25-2480	Valve Spring	1
45	32120-15	Ring - Retaining	1
46	251-8	Bearing - Ball	1
47	32120-11	Ring - Retaining	1
48	25-2450	Variable Swashplate	1
49	32121-91	Pin - Coil ,Spring	3



TRANSMISSION ASSEMBLY NO. 71-4370 (Continued)

Ref. No.	Part No.	Description	No. Used
50	25-2380	Thrust Plate	2
51	25-2440	Pump Valve Plate	1
52	25-2430	Dowel Pin	2
53	46-8400	Bearing - Needle	2
54	62-4290	O-Ring	2

Ref. No.	Part No.	Description	No. Used
55	25-2420	Center Section	1
57	25-2390	Motor Valve Plate	1
58	46-8410	Motor Shaft	1
59	25-2400	Gasket	1



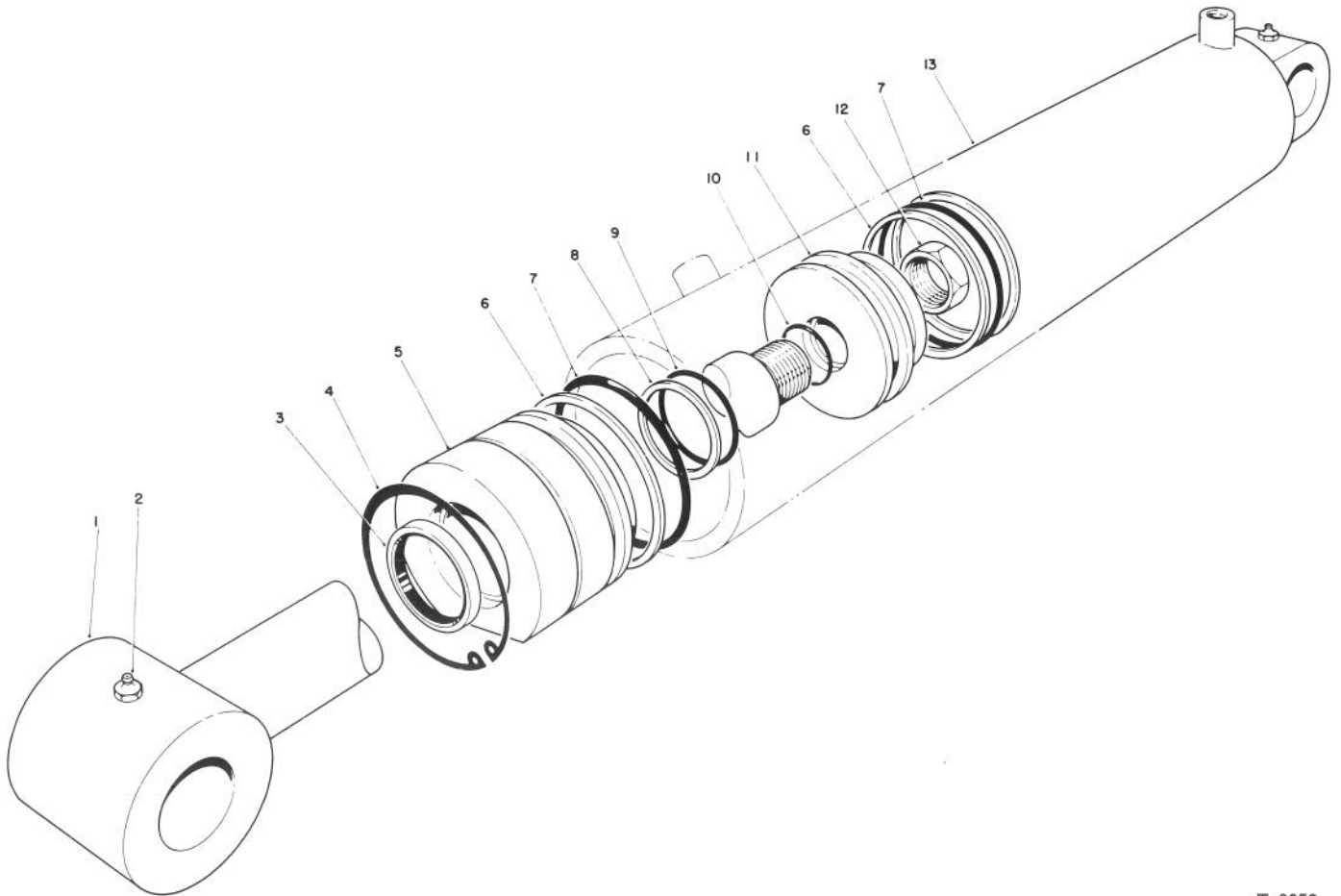
T-0426A

VALVE & CYLINDER ASSEMBLY

Ref. No.	Part No.	Description	No. Used
1	353-512	Plug	1
2	21-8620	Lever Valve	1
3	233-21	Knob	1
4	32144-10	Screw - Self Tapping	2
7	21-8640	Latch - Valve Lever	1
8	3272-6	Pin - Cotter	1
9	32121-73	Pin - Slotted Spring	1
10	3296-42	Nut - Lock	5
11	21-9010	Pivot Mount - Valve Lever	1
12	340-99	Fitting - 90° Elbow	1
13	43-1710	Valve Assembly	1
14	321-23	Screw - Cap, Hex. Hd.	5
15	63-8990	Hose	1
16	2412-36	Clamp Hose	1
17	63-9260	Manifold - Valve	1
18	340-112	Elbow - 90°	1
19	71-3580	Hose - (Valve to Cylinder)	1

Ref. No.	Part No.	Description	No. Used
20	304-75	Fitting - 90° Barb	1
21	62-4250	Cylinder - Hydraulic	1
*	66-1250	Cylinder - Hydraulic (Optional)	1
22	65-2970	Line - Gas	1
23	304-73	Fitting - Straight Barb	1
24	340-110	Elbow - 90°	1
25	340-97	Fitting - 90°	1
26	283-17	Pin	1
27	21-8590	Link - Valve Lever	1
28	2412-108	Clamp - Hose	2
29	237-22	O-Ring	2
30	237-30	O-Ring	2
31	237-42	O-Ring	2
32	237-78	O-Ring	2

*Not Illustrated



T-0859

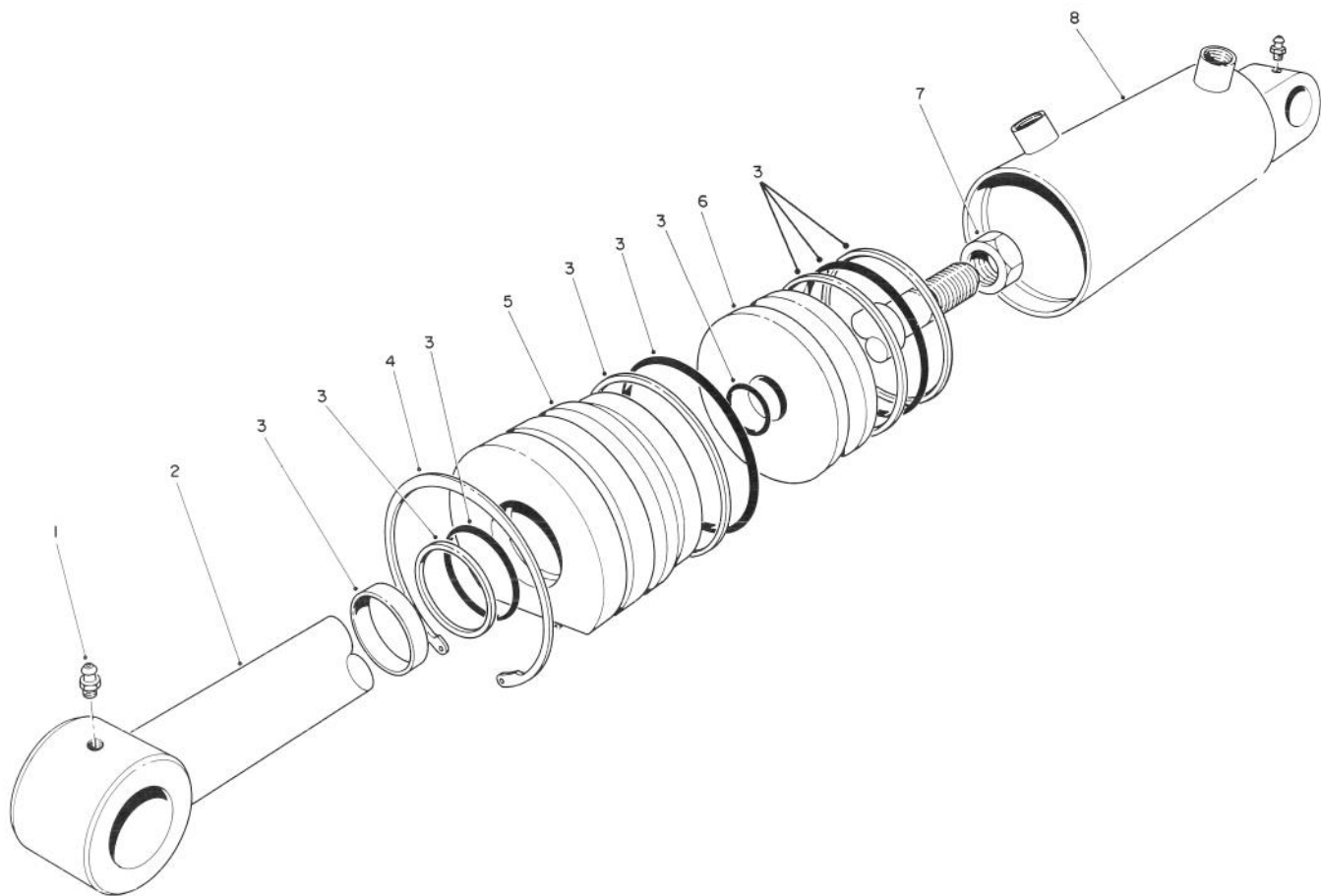
HYDRAULIC LIFT CYLINDER ASSEMBLY NO. 62-4250 (2-1/2" Bore)

Ref. No.	Part No.	Description	No. Used
1	61-4980	Shaft - w/Clevis	1
2	302-55	Fitting - Grease	2
3		Seal - Dust	1
4	61-4990	Ring - Retaining	1
5	60-9780	Head	1
6		Ring - Backup	3
7		O-Ring	2
8		Ring - Backup	1

Ref. No.	Part No.	Description	No. Used
9		O-Ring	1
10		O-Ring	1
11	60-9770	Piston	1
12	60-9760	Nut	1
†13		Barrel	1
*	61-4960	Seal Repair Kit (Incl. Ref. #3, 6-10)	1

*Not Illustrated

†Not available separately.



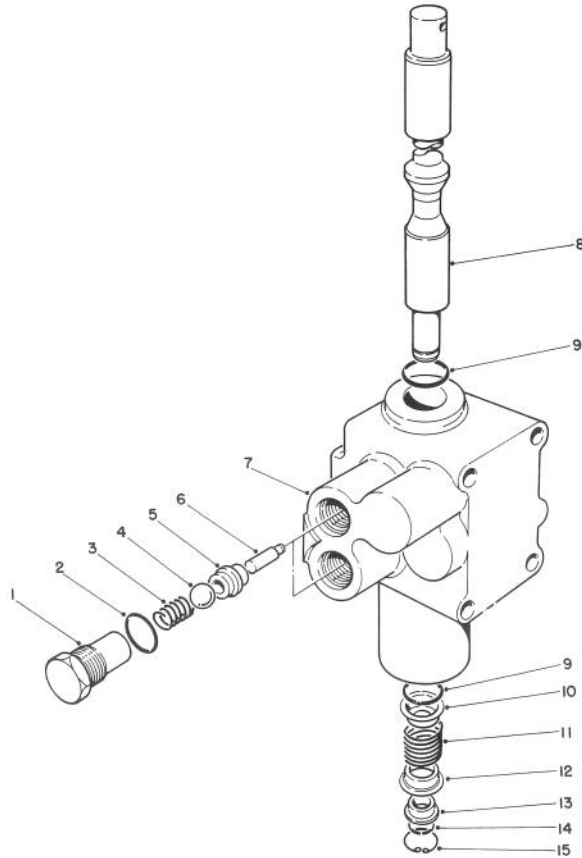
T-0527

HYDRAULIC LIFT CYLINDER ASSEMBLY NO. 66-1250 (3" Bore)

Ref. No.	Part No.	Description	No. Used
1	302-55	Fitting - Grease	2
2	67-5480	Shaft	1
3	67-5500	Repair Kit	1
4	67-5470	Ring - Retaining	1

Ref. No.	Part No.	Description	No. Used
5	67-5460	Head	1
6	67-5450	Piston	1
7	60-9760	Nut - Hex	1
*8		Barrel	1

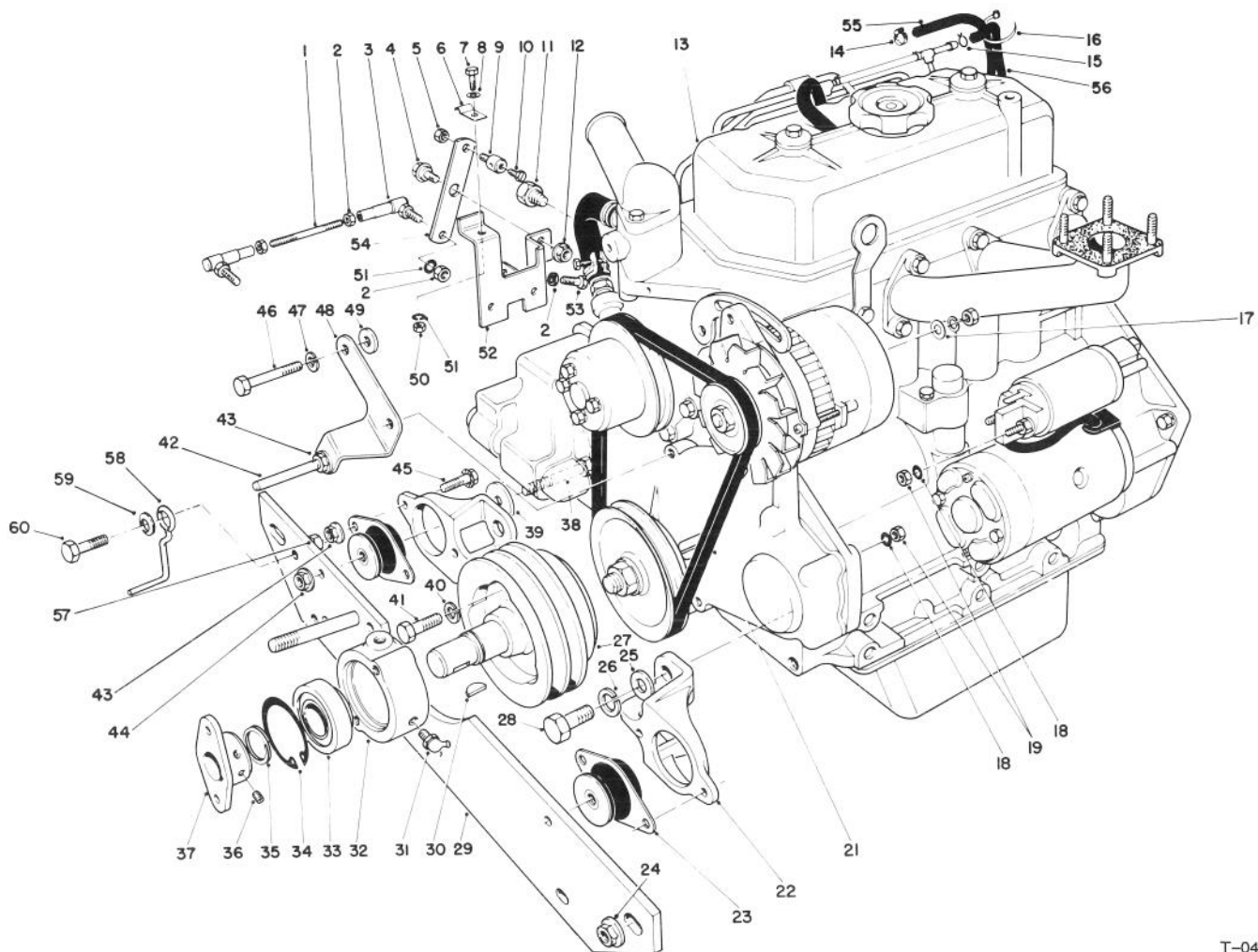
*Not available separately.



T-0428

CONTROL VALVE ASSEMBLY NO. 43-1710

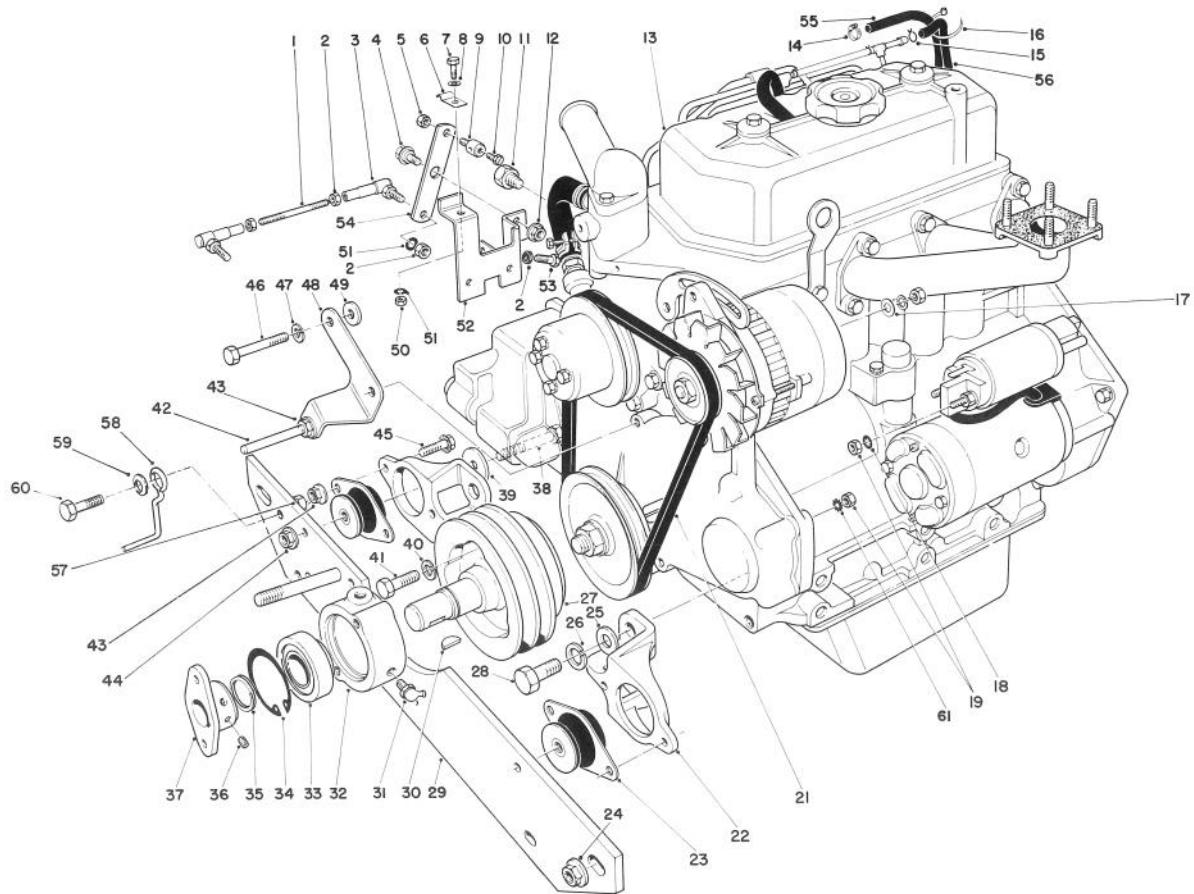
Ref. No.	Part No.	Description	No. Used	Ref. No.	Part No.	Description	No. Used
1	22-8330	Plug	2	8	22-8420	Spool	1
2	237-42	O-Ring	2	10	22-8380	Spring Retainer	1
3	22-8340	Spring	2	11	22-8410	Spring	1
4	22-8350	Ball	2	12	22-8390	Spring Retainer	1
5	22-8370	Seat - Check Valve	2	13	22-8400	Spacer Float	1
6	22-8360	Pin - Cam	2	14	22-8480	Spring Ring Spool	1
7	43-1730	Body	1	15	22-8490	Snap Ring	1



ENGINE ASSEMBLY

T-0429A

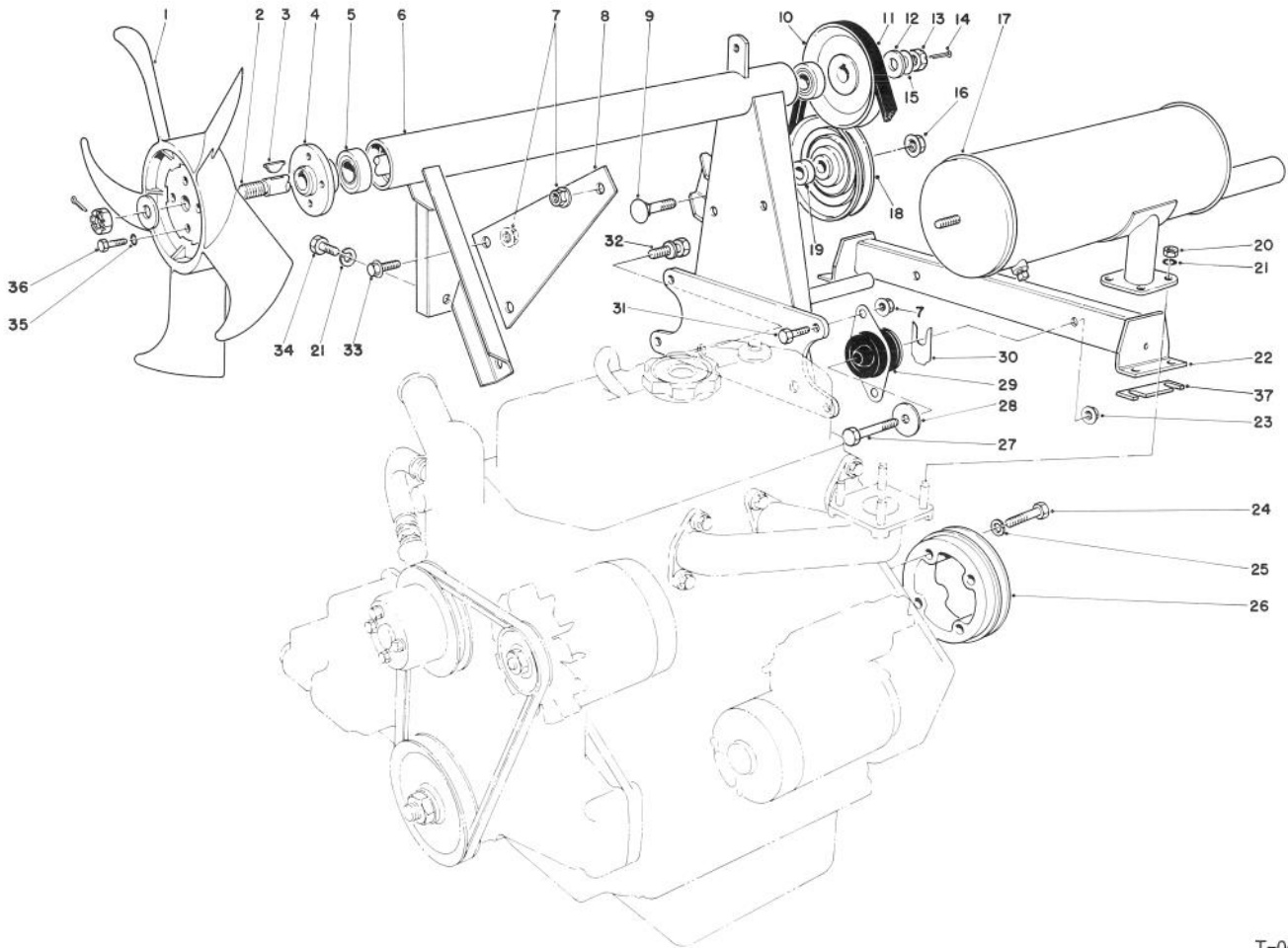
Ref. No.	Part No.	Description	No. Used	Ref. No.	Part No.	Description	No. Used
1	43-3770	Link - Throttle	1	28	43-3210	Screw - Cap, Hex. Hd.	4
2	3219-1	Nut	5	29	75-9900	Engine Support - Front	1
3	18-1720	Ball Joint Assembly	2	30	3257-33	Key - Woodruff	1
4	37-8770	Bolt - Shoulder	1	31	302-10	Fitting - Grease	1
5	3296-20	Nut - Lock	1	32	43-3720	Collar - Bearing	1
6	2412-31	Clamp - Bodine	1	33	251-252	Bearing - Ball	1
7	321-4	Screw - Cap, Hex. Hd.	1	34	32120-22	Ring - Retaining, Internal	1
8	3256-22	Washer - Flat	1	35	32120-69	Ring - Retaining, External	1
9	43-3780	Swivel - Throttle Control	1	36	3245-1	Screw - Set, Socket Head	2
10	25-8640	Screw - Machine	1	37	27-1960	Hub - Engine	1
11	43-1940	Adapter - Temp. Gauge	1	38	324-12	Screw - Cap, Hex. Hd.	2
12	32152-1	Nut - Lock, Flange	1	39	53-9480	Washer	2
13	43-1440	Engine	1	40	42-9600	Washer - Lock	3
14	2412-108	Clamp - Worm Drive	1	41	43-3190	Screw - Cap, Hex. Hd.	3
15	2412-79	Clamp	1	42	21-1820	Stud - Belt Retainer	2
16	3290-379	Cable Tie	1	43	3290-357	Nut - Lock, Flange	7
17	5-3637	Washer	1	44	32128-37	Nut - Lock, Flange	2
18	3254-2	Washer - Lock, Int. Tooth	2	45	3234-11	Screw - Cap, Hex. Hd.	4
19	42-9580	Nut	2	46	43-3220	Screw - Cap, Hex. Hd.	2
21	42-9100	Belt Fan	1	47	3253-4	Washer - Lock	2
22	53-9710	Engine Mount	2	48	43-3790	Bracket - Belt Guide	1
23	53-9680	Engine Mount - Rubber	2	49	4-2390	Washer	2
24	32128-23	Nut - Lock, Flange	2	50	3217-5	Nut	1
25	3256-64	Washer - Flat	4	51	3253-3	Washer - Lock	3
26	43-5950	Washer - Lock	4	52	43-3730	Bracket Throttle Control	1
27	43-3510	Pulley - Engine	1	53	329-7	Screw - Cap, Hex. Hd.	1



T-0429A

ENGINE ASSEMBLY (Continued)

Ref. No.	Part No.	Description	No. Used	Ref. No.	Part No.	Description	No. Used
54	43-3760	Lever - Throttle	1	58	63-1400	Belt Guide	1
55	47-7420	Hose	1	59	3290-224	Washer - Lock	1
56	43-4230	Hose	1	60	3234-18	Screw - Cap, Hex. Hd.	1
57	32153-2	Nut - Lock	1	61	3255-9	Washer - Lock, Ext. Tooth	1

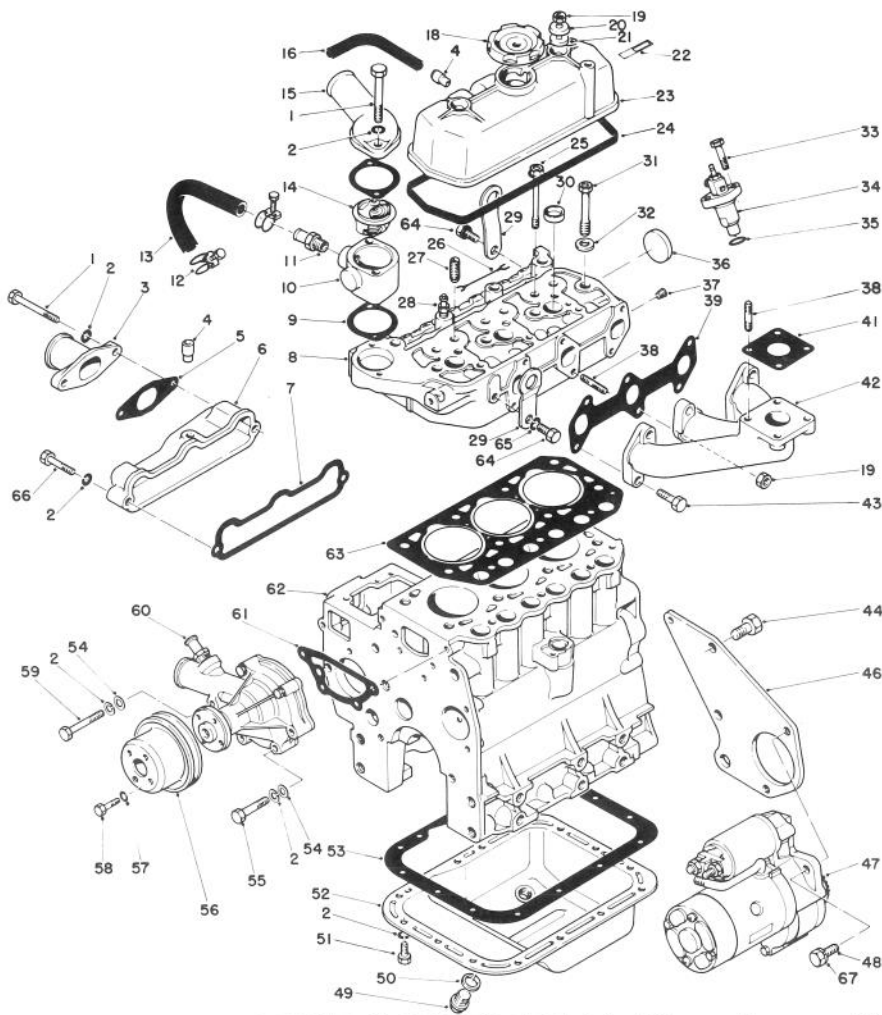


T-0430A

ENGINE ASSEMBLY (Continued)

Ref. No.	Part No.	Description	No. Used	Ref. No.	Part No.	Description	No. Used
1	43-1910	Fan - Cooling	1	21	3253-4	Washer - Lock	5
2	43-3690	Fan - Shaft	1	22	77-3140	Engine Mount	1
3	3257-30	Key - Woodruff	2	23	32128-37	Nut - Lock, Flange	2
4	43-3700	Hub-Fan	1	24	43-3200	Screw - Cap, Hex. Hd.	4
5	38-7820	Bearing	2	25	42-9600	Washer - Lock	4
6	53-9750	Fan Mount	1	26	43-3530	Pulley Flywheel	1
7	3290-357	Nut - Lock, Flange	8	27	324-11	Screw - Cap, Hex. Hd.	2
8	43-3870	Support - Muffler	1	28	53-9480	Washer	2
9	3233-14	Bolt - Carriage	1	29	53-9680	Engine Mount - Rubber	2
10	43-3880	Pulley	1	30	42-6080	Shim	A/R
11	43-5910	V-Belt	1	31	3234-11	Screw - Cap, Hex. Hd.	4
12	29-8910	Washer	2	32	66-7030	Screw - Cap, w/Washer	2
13	32136-3	Nut - Hex. Slotted	2	33	3234-12	Screw - Lock, Flange	2
14	3272-16	Pin - Cotter	2	34	42-9230	Screw - Cap, Hex. Hd.	1
15	3-6803	Washer	A/R	35	3253-3	Washer - Lock	4
16	32128-23	Nut - Lock, Flange	1	36	321-3	Screw - Cap, Hex. Hd.	4
17	43-3850	Muffler	1	37	68-9110	Shim	A/R
18	66-5310	Idler Pulley	1	*	68-9111	Shim	A/R
19	66-5320	Spacer	1	*	68-9112	Shim	A/R
20	42-9580	Nut	4				

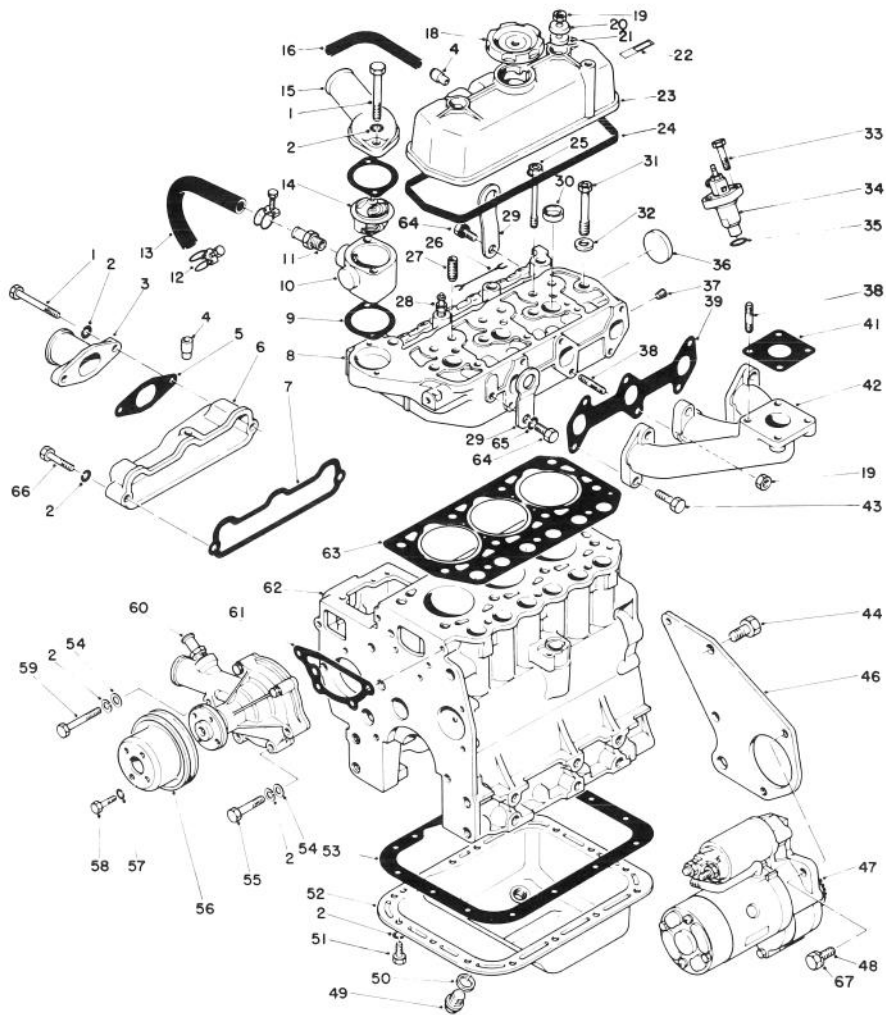
*Not Illustrated



T-0431

ENGINE ASSEMBLY (Continued)

Ref. No.	Part No.	Description	No. Used	Ref. No.	Part No.	Description	No. Used
1	42-9310	Screw - Cp, Hex. Hd.	4	26	42-9180	Wire - Glow Plug Lead	2
2	42-9850	Washer - Lock	24	27	42-7460	Guide - Valve	6
3	42-9150	Pipe Inlet	1	28	42-7480	Glow Plug	3
4	42-7510	Pipe	2	29	42-7440	Hanger - Engine	2
5	42-9160	Gasket - Inlet Pipe	1	30	42-7080	Cap - Sealing (25)	3
6	42-9120	Intake Manifold Assembly	1	31	42-9320	Bolt - Cylinder Head (12 x 98)	8
7	42-9140	Gasket - Intake Manifold	1	32	42-9790	Washer - Head Bolt	8
8	72-4290	Head Assembly - Cylinder	1	33	42-9390	Bolt (8 x 32)	6
9	42-7550	Gasket	2	34	44-8070	Nozzle & Holder Assembly	3
10	43-1790	Fitting - Thermostat	1	35	42-8120	Gasket - Nozzle Holder	3
11	42-7740	Nipple - Hose	1	36	42-7090	Cap - Sealing (45)	1
12	43-3140	Clamp - Hose	2	37	42-7410	Plug - Taper 1/8	1
13	43-3130	Hose - Water (Incl. Ref. #12)	1	38	42-9570	Stud (8 x 25)	5
14	43-1780	Thermostat	1	39	42-9170	Gasket - Exhaust Manifold	1
15	42-7540	Fitting - Water Outlet	1	41	42-9110	Gasket	1
16	42-7430	Pipe - Air Breather	1	42	43-1870	Manifold - Exhaust	1
18	42-7420	Cap - Oil Filter	1	43	42-9520	Screw - Cap (8 x 30)	5
19	42-9580	Nut (8)	3	44	42-9240	Screw - Cap (12 x 28)	3
20	42-9800	Washer	2	46	43-1770	Plate - Rear	1
21	42-7490	Seal - Oil	2	47	46-7610	Starter Assembly	1
22	42-7530	Label - Engine No.	1	48	43-0090	Screw - Cap (10 x 25)	2
23	42-7500	Cover Assembly - Rocker	1	49	42-9260	Plug - Oil Drain	1
24	42-7520	Gasket - Rocker Cover	1	50	42-7290	Gasket - Oil Drain Plug (18)	1
25	42-9330	Bolt - Cylinder Head (10 x 90)	3	51	42-9230	Screw - Cap (8 x 16)	15

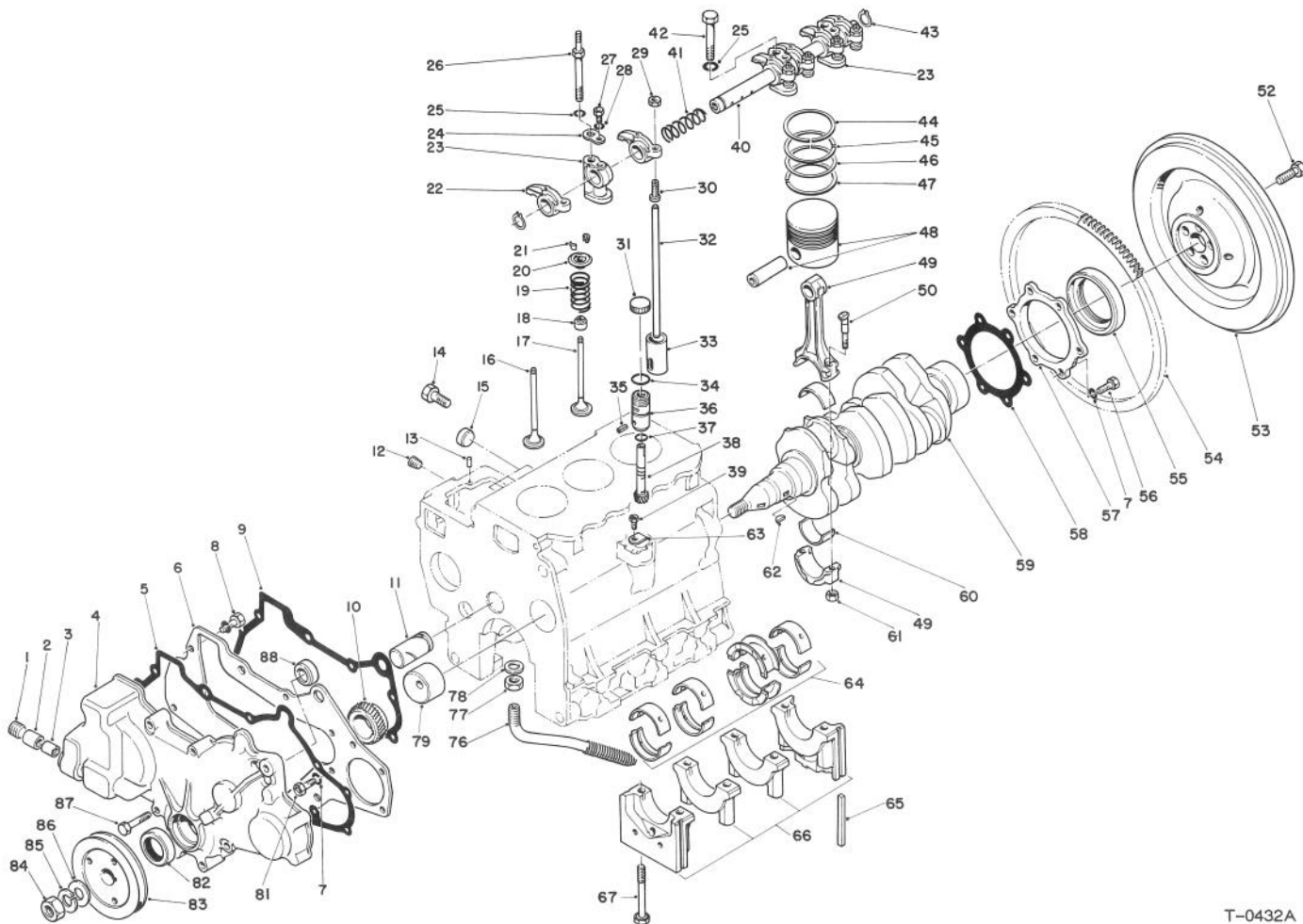


T-0431

ENGINE ASSEMBLY (Continued)

Ref. No.	Part No.	Description	No. Used	Ref. No.	Part No.	Description	No. Used
52	42-7280	Oil Pan Assembly (Inc. Ref. #49 & 50)	1	60	42-9080	Water Pump Assembly	1
53	42-7300	Gasket - Oil Pan	1	61	42-9090	Gasket - Water Pump	1
54	42-9660	Washer - Plain (8)	4	62	48-2020	Cylinder Block Sub Assy.	1
55	42-9500	Screw - Cap (8 x 45)	3	63	42-7470	Gasket - Cylinder Head	1
56	42-9070	Pulley - Water Pump	1	64	42-9300	Screw -Cap (10 x 20)	2
57	43-5930	Washer - Lock	4	65	42-9600	Washer - Lock	2
58	42-9490	Screw - Cap (6 x 12)	4	66	42-9530	Screw - Cap (8 x 40)	1
59	42-9510	Screw - Cap (8 x 60)	1	67	42-9600	Washer - Lock	2
				*	42-9200	Complete Gasket Set	1

*Not Illustrated



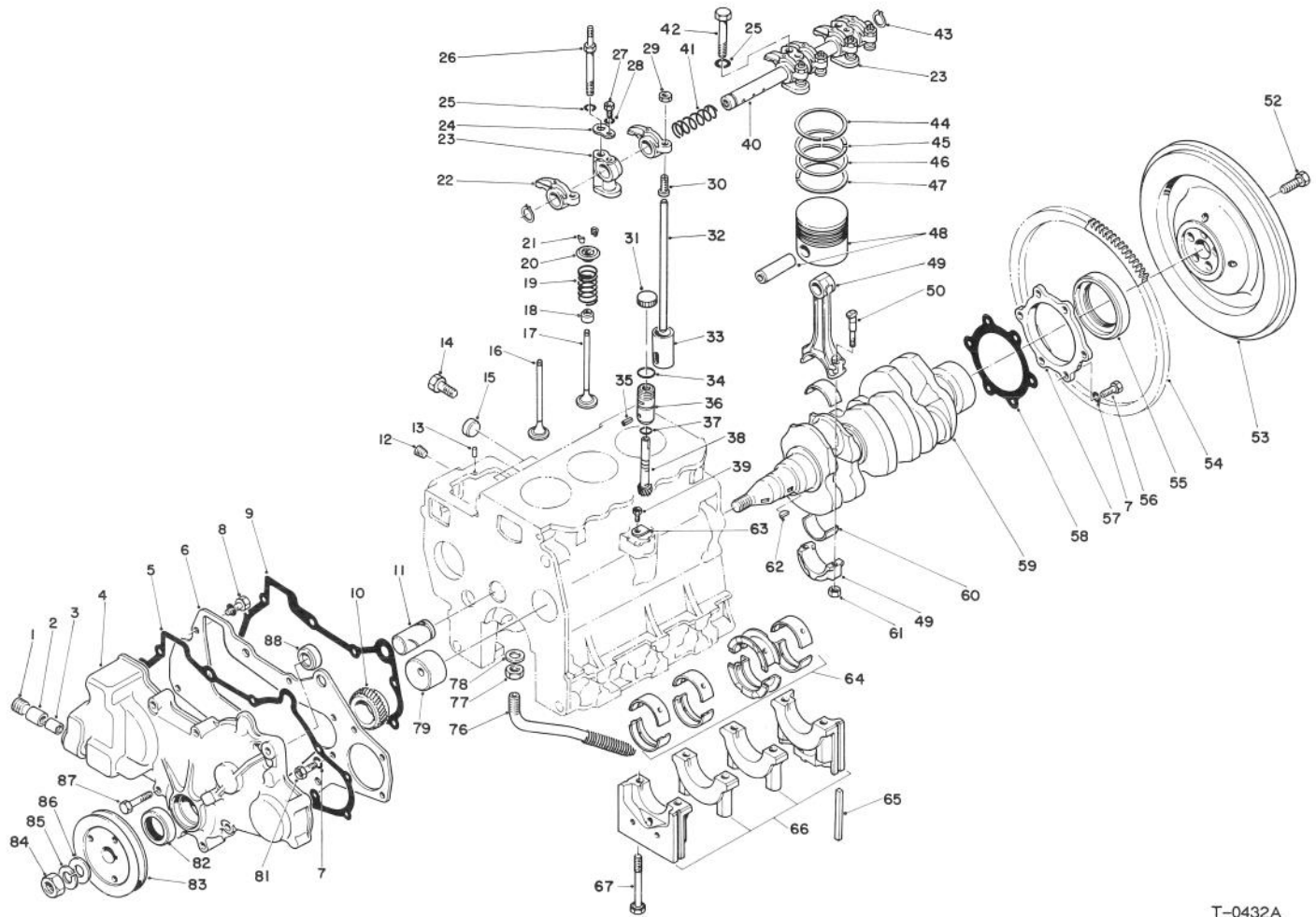
T-0432A

ENGINE ASSEMBLY (Continued)

Ref. No.	Part No.	Description	No. Used	Ref. No.	Part No.	Description	No. Used
1	42-7400	Plug - Taper	1	30	42-7980	Screw - Adjusting	6
2	42-7320	Bearing - Needle	1	31	49-7990	Cap - Shipping	1
3	42-7310	Bearing - Needle	1	32	42-7920	Rod - Push	6
4	42-7330	Case - Gear	1	33	42-7890	Tappet	6
5	42-7340	Gasket - Gear Case	1	34	42-9010	O-Ring	1
6	62-3740	Plate - Front	1	35	42-8970	Pin - Spring	1
7	42-9850	Washer - Lock	11	36	42-8980	Sleeve - Gear	1
8	62-3730	Screw - Cap, w/Washer	2	37	42-8990	O-Ring	1
9	42-7150	Gasket - Front Plate	1	†38		Gear - Driven	1
10	42-7700	Gear - Crankshaft	1	39	42-9440	Screw - Cap, Hex. Hd.	1
11	42-7110	Shaft - Idler	1	40	42-7960	Shaft Assembly - Rocker	1
12	42-7210	Plug - Taper	3	41	42-7930	Spring - Rocker Shaft L.H.	1
13	42-7030	Pin - Dowel	2	42	42-9370	Screw - Cap, Hex. Hd.	1
14	42-9250	Screw - Cap, Hex. Hd.	4	43	42-7990	Ring - Snap	2
15	42-7080	Cap - Sealing	2	44	72-4200	Ring - Set - Piston Std.	3
16	42-7900	Valve - Intake	3	45	72-4210	Ring Set - Piston 0.25 (.010 in.) 0.5.	3
17	42-7910	Valve - Exhaust	3	46	72-4220	Ring Set - Piston 0.50 (.020 in.) 0.5.	3
18	42-7870	Seal - Valve Stem	6	47	72-4230	Ring Set - Piston 0.75 (.030 in.) 0.5.	3
19	42-7880	Spring - Valve	6	48	72-4240	Piston & Piston Pin Std.	3
20	42-7850	Retainer - Valve Spring	6	*	72-4250	Piston & Piston Pin 0.25 (.010 in.) 0.5.	3
21	42-7860	Lock - Spring Retainer	12	*	72-4260	Piston & Piston Pin 0.50 (.020 in.) 0.5.	3
22	42-7940	Arm - Rocker	6	*	72-4270	Piston & Piston Pin 0.75 (.030 in.) 0.5.	3
23	42-7970	Stay - Rocker	3				
24	42-7950	Washer - Seat	2				
25	42-9600	Washer - Spring	3				
26	42-9360	Bolt	2				
27	42-9350	Screw - Cap, Hex. Hd.	2				
28	43-5930	Washer - Lock	2				
29	42-9620	Nut - Jam	6				

*Not Illustrated

†Not Serviced Separately



T-0432A

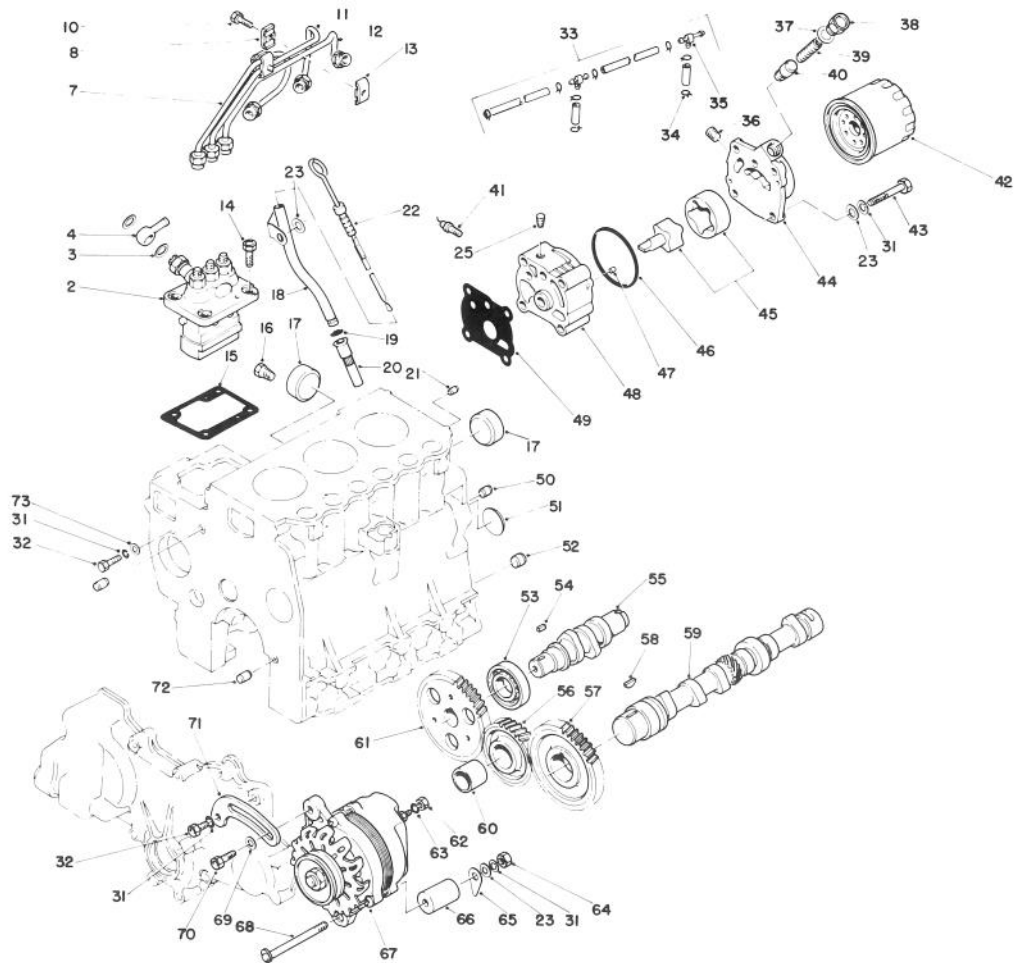
ENGINE ASSEMBLY (Continued)

Ref. No.	Part No.	Description	No. Used
49	42-7650	Connecting Rod Assembly	3
50	42-9470	Bolt - Connecting Rod	6
52	54-8670	Bolt - Flywheel	5
53	43-1800	Flywheel (Incl. Ref. #54)	1
54	43-1810	Gear - Ring	1
55	42-7060	Seal - Oil	1
56	42-9220	Screw - Cap, Hex. Hd.	6
57	42-7120	Case - Oil Seal	1
58	42-7130	Gasket - Oil Seal	1
59	42-7710	Crankshaft	1
60	42-7660	Bearing Set Connecting Rod Std.	3
*	42-7670	Bearing Set Connecting Rod 0.25 (.010 in.) U.S.	3
*	42-7680	Bearing Set Connecting Rod 0.50 (.020 in.) U.S.	3
*	42-7690	Bearing Set Connecting Rod 0.75 (.030 in.) U.S.	3
61	42-9590	Nut - Connecting Rod	6
62	42-7730	Key - Woodruff	2
63	42-9020	Plate - Locking	1

Ref. No.	Part No.	Description	No. Used
64	42-7230	Bearing Set Crankshaft Std.	1
*	42-7240	Bearing Set - Crankshaft 0.25 (.010 in.) U.S.	1
*	42-7250	Bearing Set - Crankshaft 0.50 (.020 in.) U.S.	1
*	42-7260	Bearing Set - Crankshaft 0.75 (.030 in.) U.S.	1
65	42-7040	Seal - Side	4
†66		Bearing Cap Assembly	1
67	42-9210	Bolt - Bearing Cap	8
76	48-2010	Screen - Assembly Oil	1
77	48-1990	Nut - Jam	1
78	48-1980	Gasket	1
79	42-7100	Bushing - Camshaft	1
81	42-9230	Screw - Cap, Hex. Hd.	3
82	42-7390	Seal - Oil	1
83	42-7720	Pulley - Crankshaft	1
84	43-6470	Nut	1
85	42-9860	Washer - Spring	1
86	42-9810	Washer - Flat	1
87	42-9500	Screw - Cap, Hex. Hd.	8
88	82-2590	Plug - Thrust	1
*	42-8960	Driven Unit - Speedometer (Incl. Ref. #34-38)	1

*Not Illustrated

†Not Available

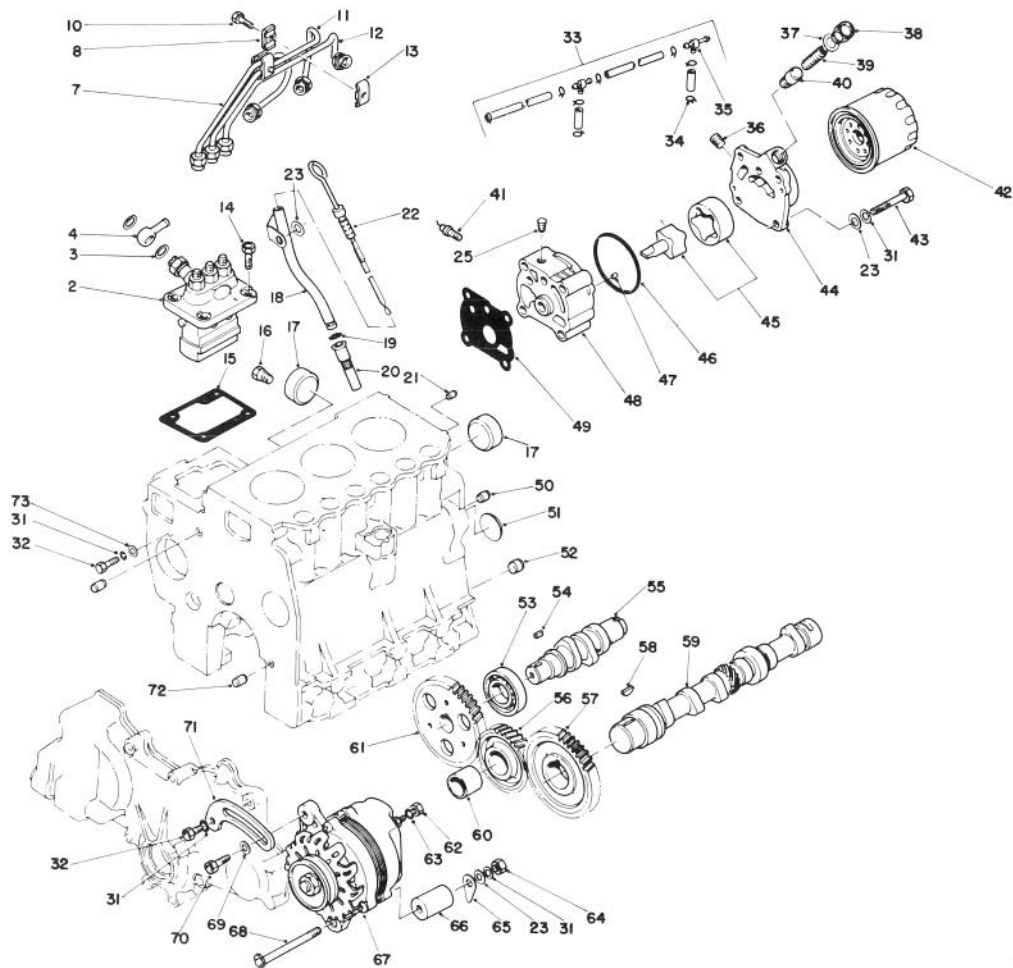


T-0433

ENGINE ASSEMBLY (Continued)

Ref. No.	Part No.	Description	No. Used	Ref. No.	Part No.	Description	No. Used
2	42-8000	Pump Assy. - Fuel Injection	1	20	43-2900	Retainer - Oil Level Guide	1
3	42-9830	Washer - Seal	2	21	42-71 60	Pin - Dowel	1
4	42-8100	Collar - Union	1	22	42-7270	Gauge Assembly - Oil Level	1
7	42-8130	Pipe Assy. - Fuel Injection (No. 1)	1	23	42-9660	Washer - Flat	6
8	42-8160	Clamp	2	25	42-7410	Plug - Taper	1
10	43-2600	Capscrew	2	31	42-9850	Washer - Lock	7
11	42-8140	Pipe Assy. - Fuel Injection (No. 2)	1	32	42-9230	Screw - Cap, Hex. Hd.	2
12	42-8150	Pipe Assy. - Fuel Injection (No.3)	1	33	42-8180	Fuel Return Pipe Assembly	1
13	42-8170	Clamp	2	34	2412-79	Clamp - Hose	8
14	43-0110	Screw - Cap, Hex. Hd.	4	35	42-8190	Joint	2
15	42-8010	Shim - 0.2 (.008 in.)	A/R	36	42-7210	Plug - Taper	1
*	42-8020	Shim - 0.3 (.012 in.)	A/R	37	42-8880	Gasket	1
*	42-8030	Shim - 0.4 (.016 in.)	A/R	38	42-8870	Plug	1
*	42-8040	Shim - 0.5 (.020 in.)	A/R	39	42-8930	Spring - Relief	1
*	42-8050	Shim - 0.6 (.024 in.)	A/R	40	42-8860	Plunger - Relief	1
*	42-8060	Shim - 0.7 (.028 in.)	A/R	41	42-9060	Oil Pressure Switch Assy.	1
*	42-8070	Shim - 0.8 (.032 in.)	A/R	42	42-9030	Filter Assembly - Oil	1
*	42-8080	Shim - 0.9 (.036 in.)	A/R	43	42-9480	Screw - Cap, Hex. Hd.	4
*	42-8090	Shim - 1.0 (.039 in.)	A/R	44	42-8920	Cover - Oil Pump	1
16	281-1	Plug - Taper	1	45	42-8910	Rotor Assembly - Oil Pump	1
17	42-7090	Cap - Sealing	2	46	42-8940	O-Ring	1
18	42-7050	Guide - Oil Level Gauge	1	47	42-7030	Pin - Dowel	2
19	43-2710	O-Ring	1	48	42-8900	Body - Oil Pump	1
				49	42-8950	Gasket - Oil Pump Body	1
				50	42-7180	Bushing - Knock	2
				51	42-7170	Plug - Expansion	1

*Not Illustrated



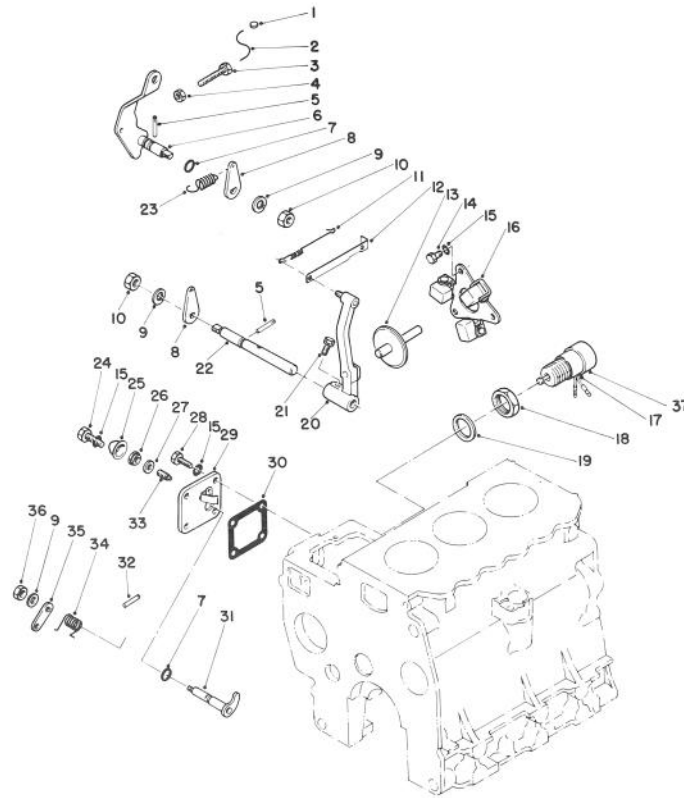
T-0433

ENGINE ASSEMBLY (Continued)

Ref. No.	Part No.	Description	No. Used
52	42-7200	Bushing - Knock	1
53	42-7820	Bearing - Ball	1
54	42-7840	Key - Sunk	1
55	42-7810	Shaft - Injection Pump Cam	1
56	42-7790	Idler Gear Assembly (Incl. Ref. #60)	1
57	42-7780	Gear - Camshaft	1
58	42-7730	Key - Woodruff	1
59	72-4280	Camshaft	1
60		Bushing - Idler Gear	1
61	42-7830	Gear - Injection Pump Cam	1
62	43-5970	Nut	1
63	43-5920	Washer - Lock	1

Ref. No.	Part No.	Description	No. Used
64	42-9580	Nut	1
65	43-0370	Shim	AIR
66	43-0380	Spacer	1
67	43-0390	Alternator (Model AH2035M4)	1
68	43-1900	Screw - Cap, Hex. Hd.	1
69	54-8660	Washer	1
70	54-8650	Screw - Cap, Flange Hd.	1
71	43-0400	Brace - Alternator	1
72	42-7190	Bushing - Knock	2
73	42-9820	Washer	1
*	42-8850	Oil Pump Assembly (Incl. Ref. 36-40 & 44-48)	1

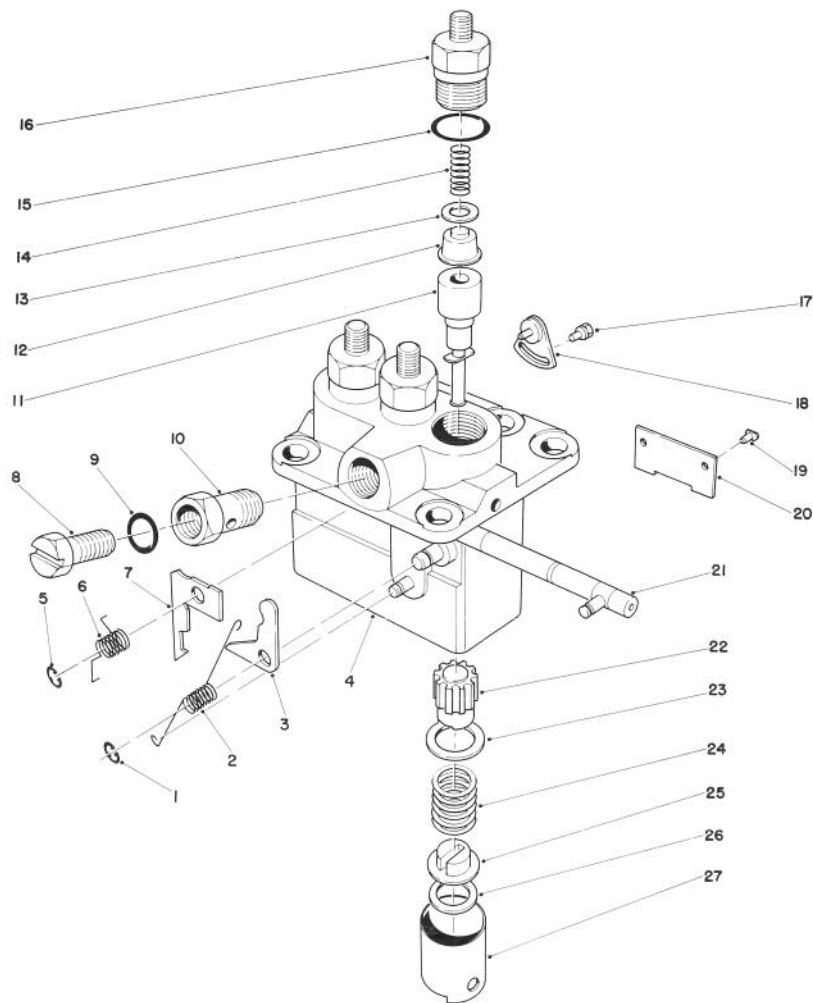
*Not Illustrated



T-0434

ENGINE ASSEMBLY (Continued)

Ref. No.	Part No.	Description	No. Used	Ref. No.	Part No.	Description	No. Used
1	42-8690	Metal - Sealing	1	20	42-8730	Governor Lever Assembly	1
2	42-8700	Wire	1	21	42-9450	Bolt/Washer - Assembled	1
3	42-9420	Bolt - High Speed Set	1	22	42-8760	Governor Shaft	1
4	43-2830	Nut	1	23	42-8820	Governor Spring	1
5	42-8810	Pin - Grooved	2	24	43-2800	Screw - Cap, Hex. Hd.	1
6	42-8780	Speed Control Lever Assy.	1	25	43-2820	Sealing Cap	1
7	42-8830	O-Ring	2	26	43-5960	Nut - Special	1
8	42-8770	Lever - Governor Spring	2	27	43-3120	Washer - Seal	1
9	42-9850	Washer - Lock	2	28	42-9400	Screw - Cap, Hex. Hd.	3
10	42-9580	Nut - Jam	2	29	42-8790	Cover Assembly (Incl. Ref. #25, 27 & 33)	1
11	42-8740	Spring - Tie Rod	1	30	42-8800	Gasket Cover	1
12	42-8750	Tie Rod	1	31	44-8090	Lever Assembly Stop	1
13	42-8720	Sliding Shaft Assembly	1	32	42-8810	Pin - Grooved	1
14	42-9430	Screw - Cap, Hex. Hd.	3	33	43-3160	Screw - Adjusting	1
15	43-5930	Washer - Lock	7	34	44-8100	Spring Return	1
16	42-8710	Weight Assy. - Governor	1	35	43-2770	Lever - Stop	1
17	43-2730	Solenoid - Tubular	1	36	42-9640	Nut - Jam	1
18	43-2750	Nut	1	37	62-6940	Cap	1
19	43-2740	Gasket	1				



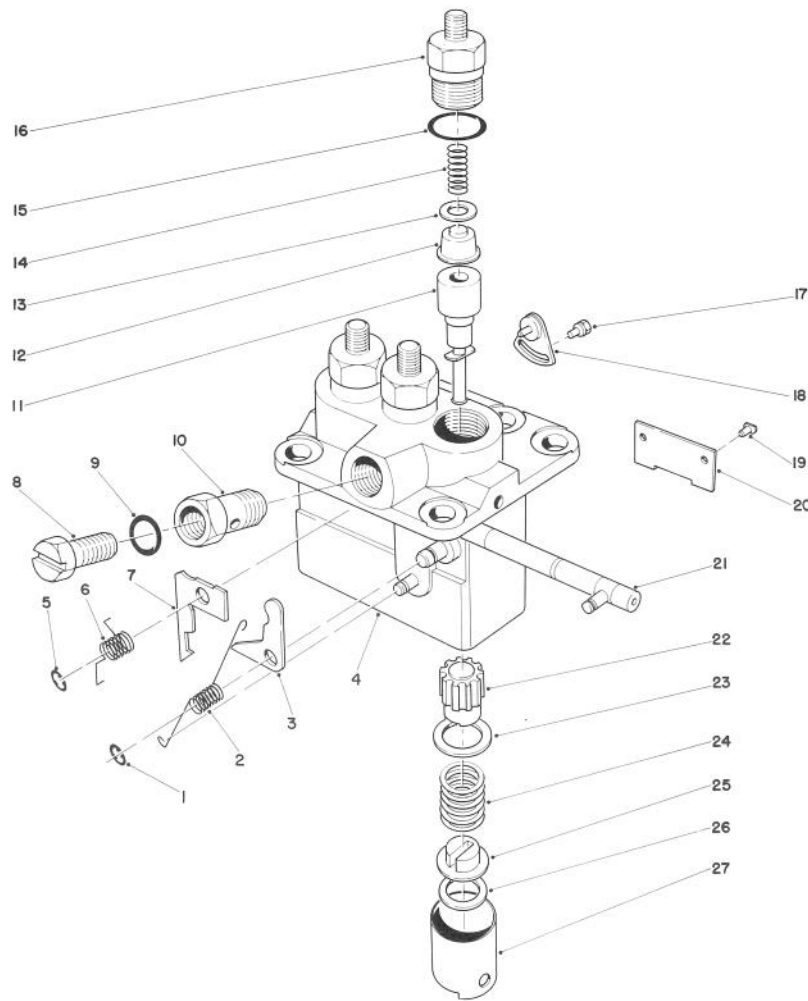
T-0435

FUEL INJECTION PUMP ASSEMBLY NO. 42-8000

Ref. No.	Part No.	Description	No. Used
1	43-3100	E-Ring	1
2	43-3110	Spring - Ungleich Set	1
3	43-2910	Plate - Ungleich Set 16.9 (.665 in.)	A/R
*	43-2920	Plate - Ungleich Set 16.8 (.661 in.)	A/R
*	43-2930	Plate - Ungleich Set 16.7 (.657 in.)	A/R
*	43-2940	Plate - Ungleich Set 16.6 (.654 in.)	A/R
*	43-2950	Plate - Ungleich Set 16.5 (.650 in.)	A/R
4		Pump Housing Sub Assy.	1
5	54-8780	E-Ring	1
6	42-8460	Spring Return	1
7	43-3000	Plate - Smoke Set 2.2 (.087 in.)	A/R
*	54-8700	Plate - Smoke Set 2.3 (.091 in.)	A/R
*	43-3010	Plate - Smoke Set 2.4 (.095 in.)	A/R
*	54-8710	Plate - Smoke Set 2.5 (.098 in.)	A/R
*	43-3020	Plate - Smoke Set 2.6 (.102 in.)	A/R

Ref. No.	Part No.	Description	No. Used
*7	56-0960	Plate - Smoke Set 2.7 (.106 in.)	A/R
*	43-3030	Plate - Smoke Set 2.8 (.110 in.)	A/R
*	54-8730	Plate - Smoke Set 2.9 (.114 in.)	A/R
*	43-3040	Plate - Smoke Set 3.0 (.118 in.)	A/R
*	54-8740	Plate - Smoke Set 3.1 (.122 in.)	A/R
*	43-3050	Plate - Smoke Set 3.2 (.126 in.)	A/R
*	54-8750	Plate - Smoke Set 3.3 (.130 in.)	A/R
*	43-3060	Plate - Smoke Set 3.4 (.134 in.)	A/R
*	54-8760	Plate - Smoke Set 3.5 (.138 in.)	A/R
*	43-3070	Plate - Smoke Set 3.6 (.142 in.)	A/R
*	54-8770	Plate - Smoke Set 3.7 (.146 in.)	A/R
*	43-3080	Plate - Smoke Set 3.8 (.150 in.)	A/R
*	43-3090	Plate - Smoke Set 4.0 (.157 in.)	A/R

*Not Illustrated

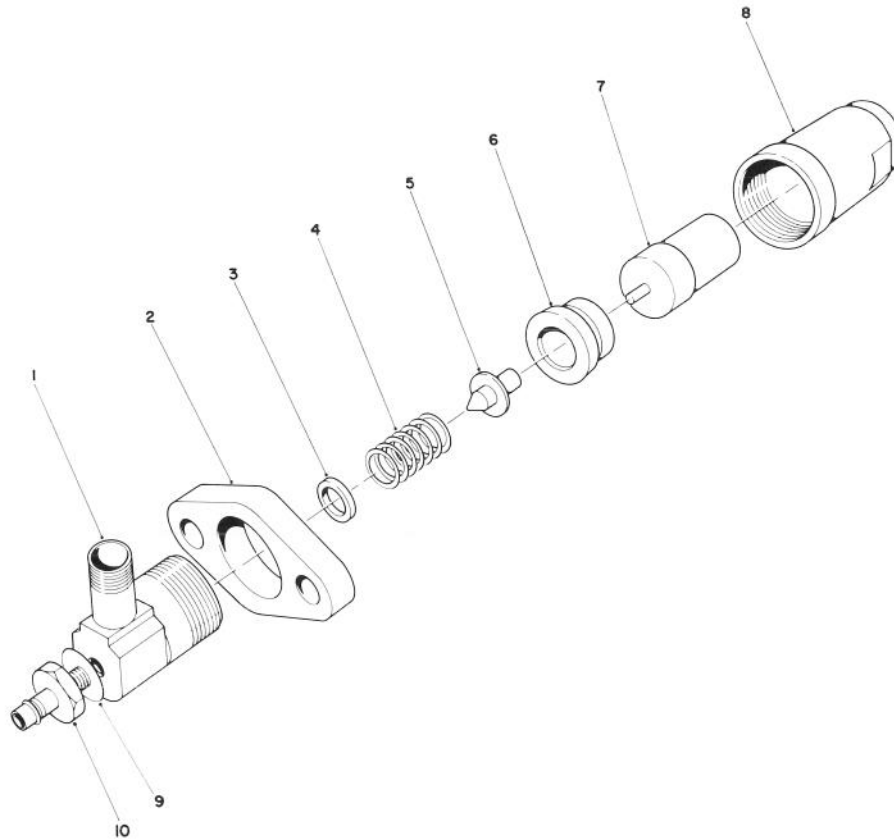


T-0435

FUEL INJECTION PUMP ASSEMBLY NO. 42-8000 (Cont.)

Ref. No.	Part No.	Description	No. Used	Ref. No.	Part No.	Description	No. Used
8	42-8370	Screw - Air Breather	1	26	42-8390	Shim - Plate 0.6 (.0241 in.)	A/R
9	42-9770	Washer	1	*	42-8400	Shim - Plate 0.2 (.008 in.)	A/R
10	42-8380	Screw - Hollow	1	*	42-8410	Shim - Plate 0.3 (.0121 in.)	A/R
11	42-8260	Element Sub Assembly	3	*	42-8420	Shim - Plate 0.4 (.016 in.)	A/R
12	42-8250	Delivery Valve Sub Assy.	3	*	42-8430	Shim - Plate 0.5 (.020 in.)	A/R
13	42-8240	Gasket - Delivery Valve	3	*	42-8440	Shim - Plate 0.25 (.010 in.)	A/R
14	42-8230	Spring - Delivery Valve	3	*	42-8450	Shim - Plate 0.35 (.014 in.)	A/R
15	42-8330	O-Ring	3	*	43-6240	Shim - Plate 0.45 (.018 in.)	A/R
16	42-8220	Holder - Delivery Valve	3	*	54-8680	Shim - Plate 0.55 (.022 in.)	A/R
17	43-3150	Bolt/Washer - Assembled	2	*	54-8690	Shim - Plate 0.65 (.026 in.)	A/R
18	42-8360	Plate Assembly - Adjusting	2	27	42-8300	Tappet Sub Assembly	3
19	42-8340	Pin - Tappet Guide	3				
20	42-8350	Plate	1				
21	42-8310	Rack Assembly - Control	1				
22	42-8270	Sleeve - Plunger Control	3				
23	42-8280	Seat - Spring, Upper	3				
24	42-8290	Spring - Pump Plunger	3				
25	42-8320	Seat - Spring, Lower	3				

*Not Illustrated



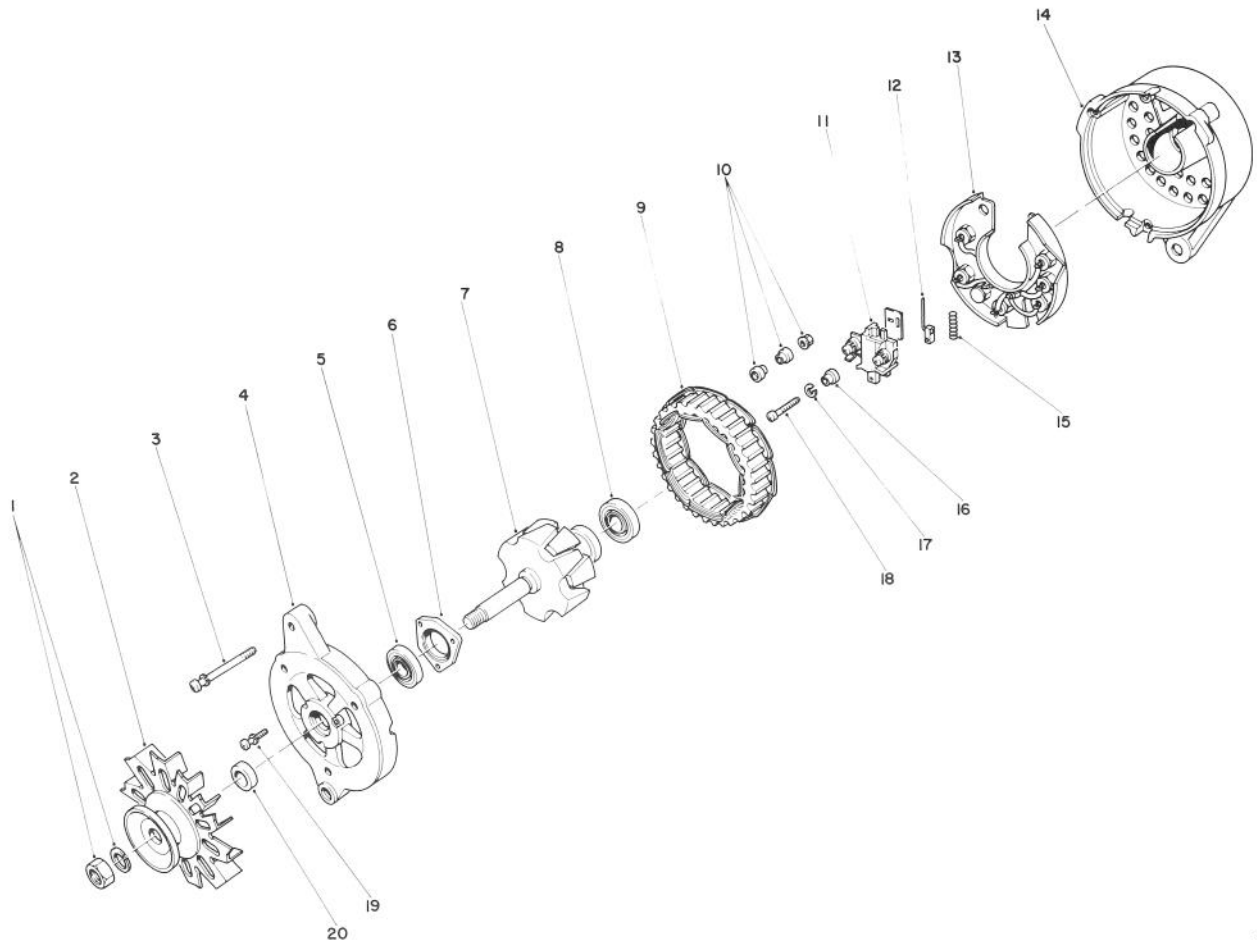
T-0436

NOZZLE & HOLDER ASSEMBLY NO. 44-8070

Ref. No.	Part No.	Description	No. Used
1	44-8080	Body	3
2	42-8670	Flange	3
3	42-9680	Washer 1.3 (.051 in.)	A/R
*	42-9690	Washer 1.35 (.053 in.)	A/R
*	42-9700	Washer 1.4 (.055 in.)	A/R
*	42-9710	Washer 0.9 (.035 in.)	A/R
*	42-9720	Washer 1.0 (.039 in.)	A/R

Ref. No.	Part No.	Description	No. Used
*3	42-9730	Washer 1.1 (.043 in.)	A/R
*	42-9740	Washer 1.2 (.047 in.)	A/R
*	42-9750	Washer 0.1 (.004 in.)	A/R
4	42-8630	Spring - Pressure	3
5	42-8620	Pin - Pressure	3
6	42-8660	Piece - Distance	3
7	42-8680	Nozzle Assembly	3
8	42-8650	Nut - Retaining	3
9	42-9670	Washer	3
10	42-8640	Nipple	3

*Not Illustrated

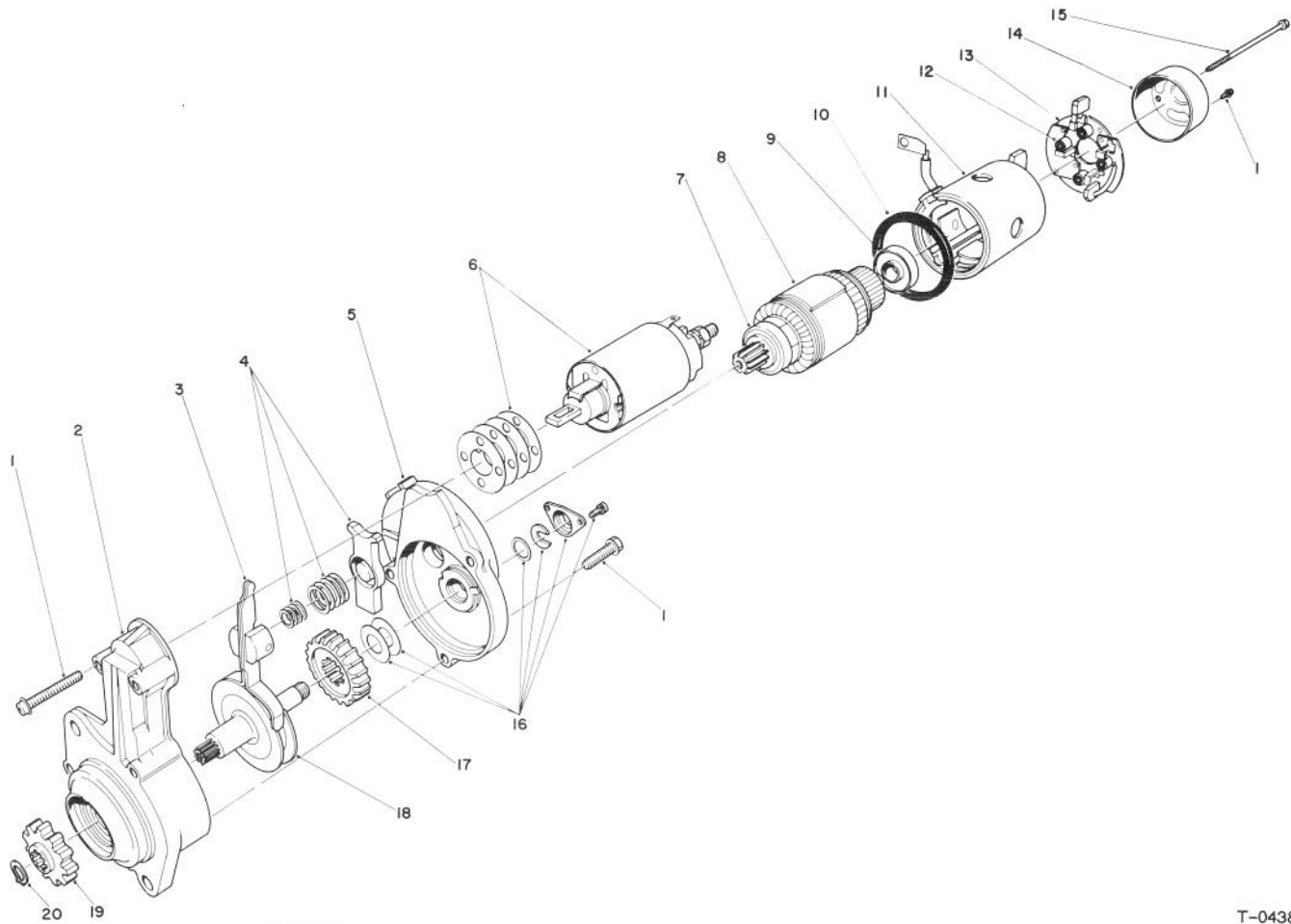


T-0437

ALTERNATOR ASSEMBLY NO. 43-0390

Ref. No.	Part No.	Description	No. Used
1	43-1920	Nut Set	1
2	43-0420	Pulley Assembly (Incl. Ref. #20)	1
3	43-0120	Screw - Set	1
4	43-0430	Bracket Assembly Front (Incl. Ref. #5-6 & 19)	1
5	43-0440	Bearing - Front	1
6	43-0450	Plate - Bearing Retainer	1
7	43-0450	Rotor Assembly (Incl. Ref. #8)	1
8	43-0460	Bearing - Rear	1
9	43-0470	Stator	1
10	43-0080	Nut - Set	1

Ref. No.	Part No.	Description	No. Used
11	43-0490	Holder Assembly Brush (Incl. Ref. #12 & 15)	1
12	43-0500	Brush	2
13	43-0520	Rectifier Assembly	1
14	43-0480	Rear Bracket Assembly (Incl. Ref. #10-13 & 15-18)	1
15	43-0510	Spring - Brush	1
16	43-2720	Mold	1
17	43-5920	Washer - Lock	1
18	43-1890	Screw	1
19	43-0130	Screw - Set	1
20		Collar - Shaft	1



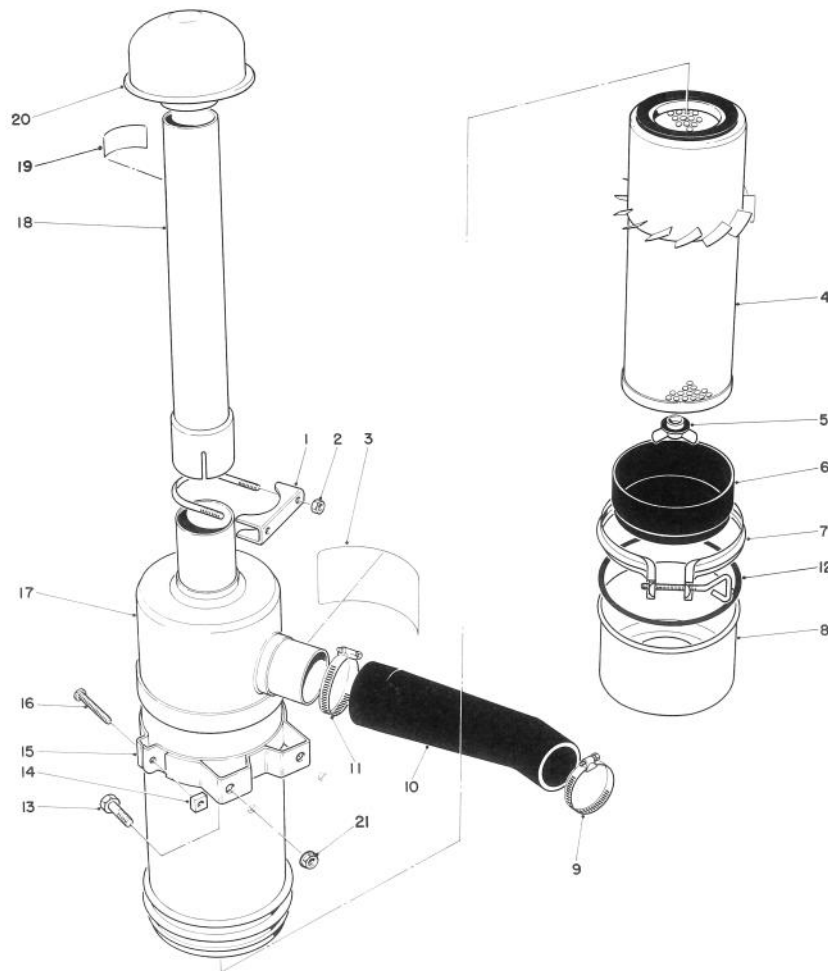
T-0438

STARTER ASSEMBLY NO. 46-7610

Ref. No.	Part No.	Description	No. Used
1	46-7620	Screw - Set	1
2	46-7630	Bracket Assembly - Front	1
3	46-7540	Lever Assembly	1
4	43-0190	Spring Set	1
5	46-7650	Bracket Assembly - Center	1
6	46-7660	Switch Assembly	1
7	46-7680	Bearing - Front	1
8	46-7670	Armature Set (Incl. Ref. #7 & 9)	1
9	46-7690	Bearing - Rear	1
10	46-8050	Packing	1
11	46-7780	Yoke Assembly	1
12	46-8030	Spring - Brush	4

Ref. No.	Part No.	Description	No. Used
13	46-7790	Brush Holder Assembly (Incl. Ref. #12)	1
14	46-8040	Bracket - Rear	1
15	46-7700	Bolt Set	1
16	46-7770	Cover Set	1
17	46-7760	Gear	1
18	46-7750	Shaft Assembly Pinion	1
19	46-7720	Pinion Set (Incl. Ref. #20)	1
20	46-7730	Snap Ring	1
*	46-7740	Gear Set (Incl. Ref. #17 & 18)	1
*	46-7710	Shaft Assembly - Clutch (Inc. Ref. #16-20)	1

*Not Illustrated

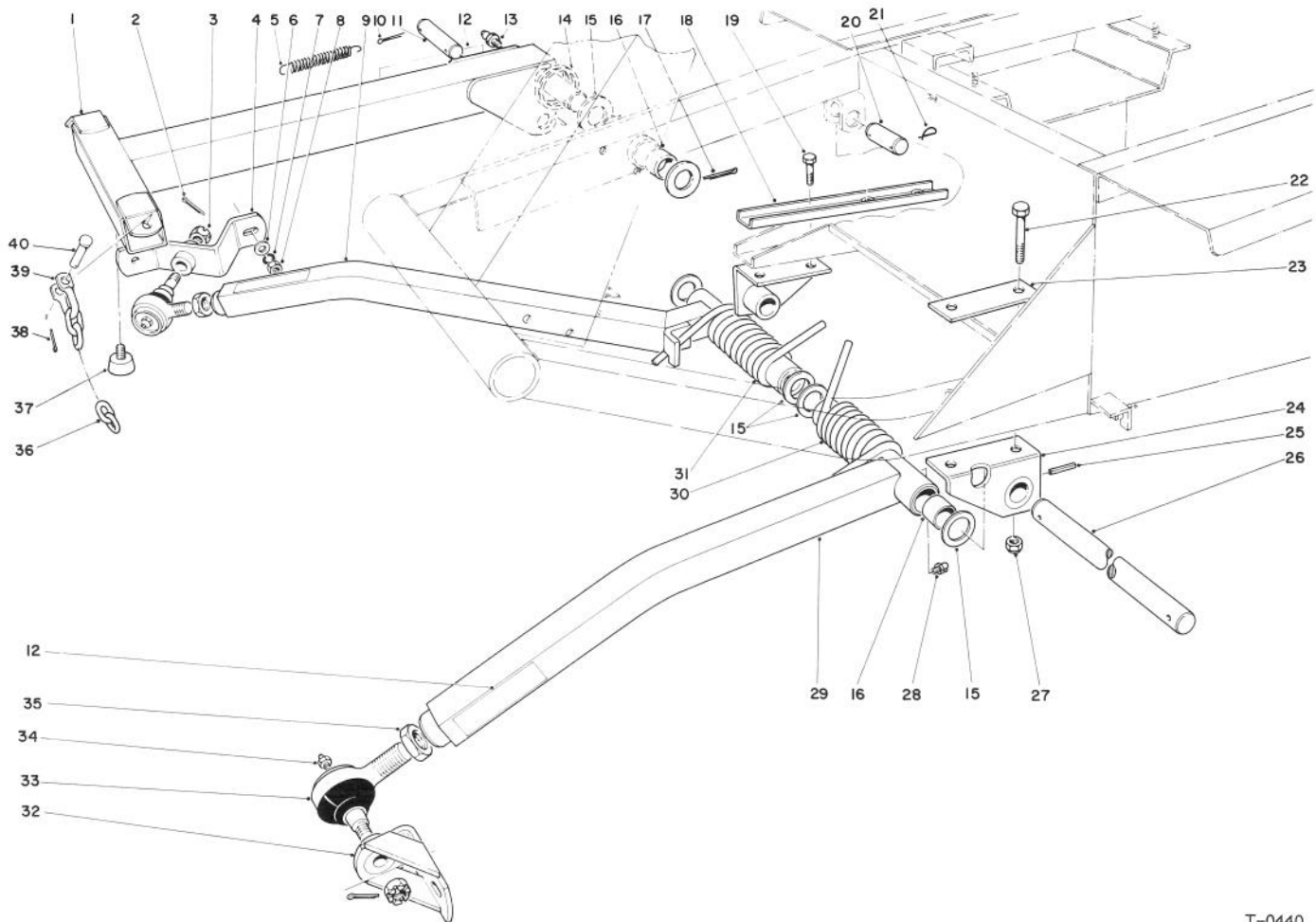


T-0439

AIR CLEANER ASSEMBLY

Ref. No.	Part No.	Description	No. Used
1	20-4840	Muffer Clamp (Incl. Ref. #2)	1
2	3217-6	Nut	2
3	27-7160	Decal - Instructions	1
4	27-7110	Element Assembly	1
5	27-7120	Nut & Gasket Assembly	1
6	27-7140	Skirt - Baffle	1
7	27-7130	Clamp Assembly	1
8	27-7150	Cup Assembly	1
9	2412-3	Hose - Clamp	1
10	80-0060	Hose - Air Cleaner	1
11	2412-42	Hose Clamp	1

Ref. No.	Part No.	Description	No. Used
12	80-3330	Gasket	1
13	322-3	Screw - Cap, Hex. Hd.	4
14	32107-11	Nut	2
15	27-7170	Band Assy. (Incl. Ref. #14 & 16)	2
16	3258-19	Screw - Mach. Rd. Hd.	2
17	27-7100	Air Cleaner Assembly (Incl. Ref. #3-8)	1
18	43-3810	Tube - Air Cleaner	1
19	67-1700	Decal - Starting Fluid	1
20	27-7180	Cap Assembly - Air Inlet	1
21	32128-20	Nut - Flange	4

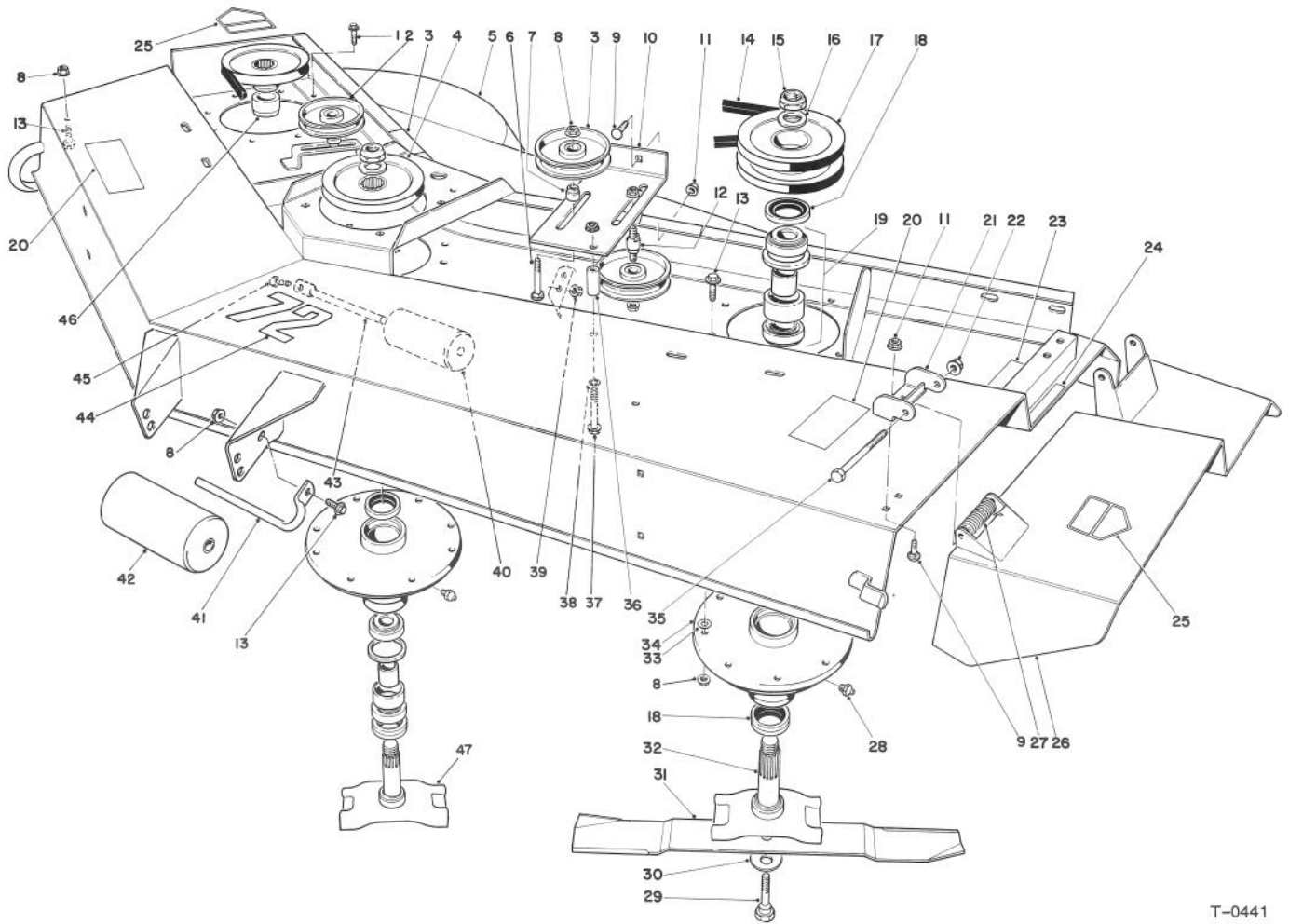


T-0440

PUSH ARM ASSEMBLY

Ref. No.	Part No.	Description	No. Used
1	66-6370	Lift Arm	1
2	3272-11	Pin - Cotter	2
3	32136-2	Nut	2
4	21-3020	Ball Joint Mount R.H.	1
5	21-1830	Spring Tension	1
6	3256-25	Washer - Flat	1
7	3253-6	Washer - Lock	2
8	3217-8	Nut - Full	2
9	66-7150	Push Arm R.H. (Incl. Ref. #16 & 28)	1
10	3272-24	Cotter Pin	1
11	24-9510	Pin	1
12	61-3610	Warning Decal	3
13	302-5	Fitting - Grease	1
14	46-8840	Spring - Lift Arm	1
15	5-1754	Washer	6
16	256-126	Bushing	6
17	3272-33	Pin - Cotter	1
18	23-1950	Support - Reinforcement	1
19	324-4	Screw - Cap, Hex. Hd.	2
20	3-7292	Pin	1

Ref. No.	Part No.	Description	No. Used
21	5-3126	Pin - Spring	3
22	324-12	Screw - Cap, Hex. Hd.	2
23	21-3750	Support Plate	1
24	21-2860	Push Arm Bracket	2
25	32121-84	Pin - Roll	2
26	21-2990	Shaft - Pivot	1
27	32128-42	Nut - Flange	4
28	302-33	Fitting - Grease	2
29	21-2960	Push Arm L.H. (Incl. Ref. #16 & 28)	1
30	21-2900	Spring - Torsion L.H.	1
31	21-2890	Spring - Torsion R.H.	1
32	21-3050	Ball Joint Mount L.H.	1
33	21-0160	Ball Joint Assembly	2
34	302-2	Fitting - Grease	2
35	21-3000	Nut - Jam	2
36	3-1365	Chain - Lift	3
37	67-9800	Bumper	1
38	3272-10	Pin - Cotter	3
39	5-2942	Shackle	3
40	283-10	Pin	3

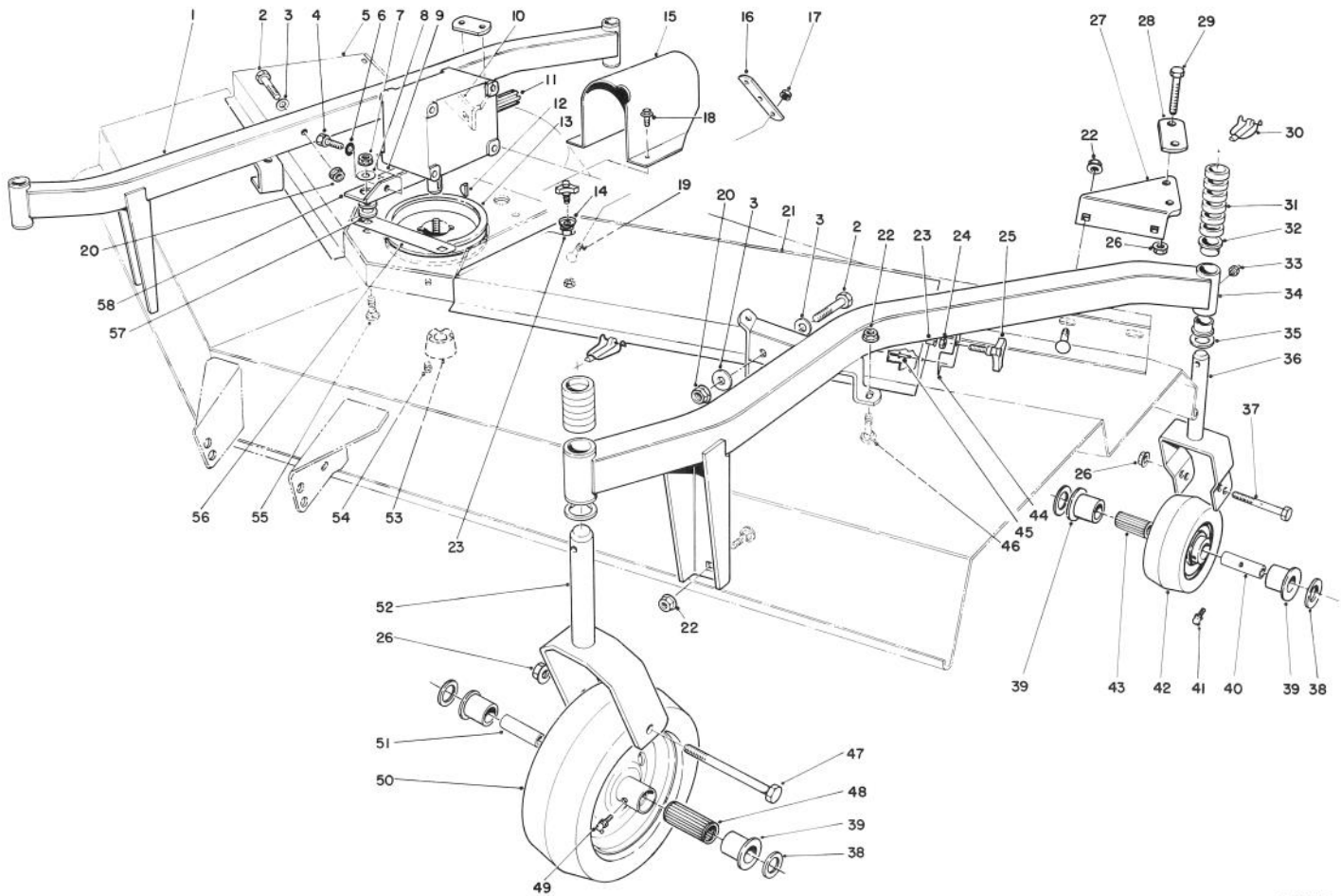


T-0441

CUTTING UNIT MODEL NO. 30722

Ref. No.	Part No.	Description	No. Used	Ref. No.	Part No.	Description	No. Used
1	3234-11	Screw - Hex. Hd. Flange	4	24	66-6380	Decal - Deflector Missing	1
2	26-1840	Idler Pulley	3	25	43-8480	Decal - Danger	2
3	67-5360	Decal - Danger	2	26	51-1470	Deflector	1
4	26-1760	Pulley	2	27	51-1550	Spring	2
5	14-0289	Cutting Deck (Incl. Ref. #23 page 53)	1	28	302-52	Fitting - Grease	3
6	3231-29	Bolt - Carriage	2	29	26-1820	Screw - Cap, Hex. Hd.	3
7	26-1860	Spacer - Idler Pulley	2	30	26-1990	Washer - Belleville	3
8	32128-21	Nut - Flange	33	31	29-5530	Blade	3
9	3231-27	Bolt - Carriage	6	32	26-1690	Spindle - Outer	2
10	26-1870	Idler Mount L.H.	1	33	3256-24	Washer	A/R
11	3290-357	Nut - Flange	6	34	84-2020	Spindle Housing	3
12	26-1850	Stud - Idler	1	35	325-17	Screw - Cap, Hex. Hd.	2
13	3234-1	Screw - Hex. Hd. Flange	24	36	26-1880	Spacer - Idler Mount	1
14	21-0890	V-Belt	3	37	323-12	Screw - Cap, Hex. Hd.	1
15	3296-49	Nut	3	38	3253-21	Washer - Lock	1
16	3-8514	Washer	3	39	32128-25	Nut - Lock, Flange	2
17	26-9100	Pulley L.H.	1	40	36-1740	Roller - Deck	2
18	253-138	Seal - Oil	9	41	68-6840	Shaft - Roller	1
19	49-8320	Bearing & Spacer Assy. (Matched Set)	3	42	68-6710	Roller - Deck	1
20	66-1340	Decal - Danger	2	43	62-4480	Rod - Roller	2
21	51-1530	Hinge Bracket	2	44	57-0280	Decal - 72"	1
22	32128-23	Nut - Lock, Flange	2	45	322-4	Screw - Cap. Hex Hd.	2
23	68-7280	Decal - Blade Bolt Torque	1	46	26-1790	Spacer R.H. Spindle	1
				47	26-1680	Spindle Ctr.	1
				*	23-2410	Blade - High Sail (Opt.)	3

*Not Illustrated

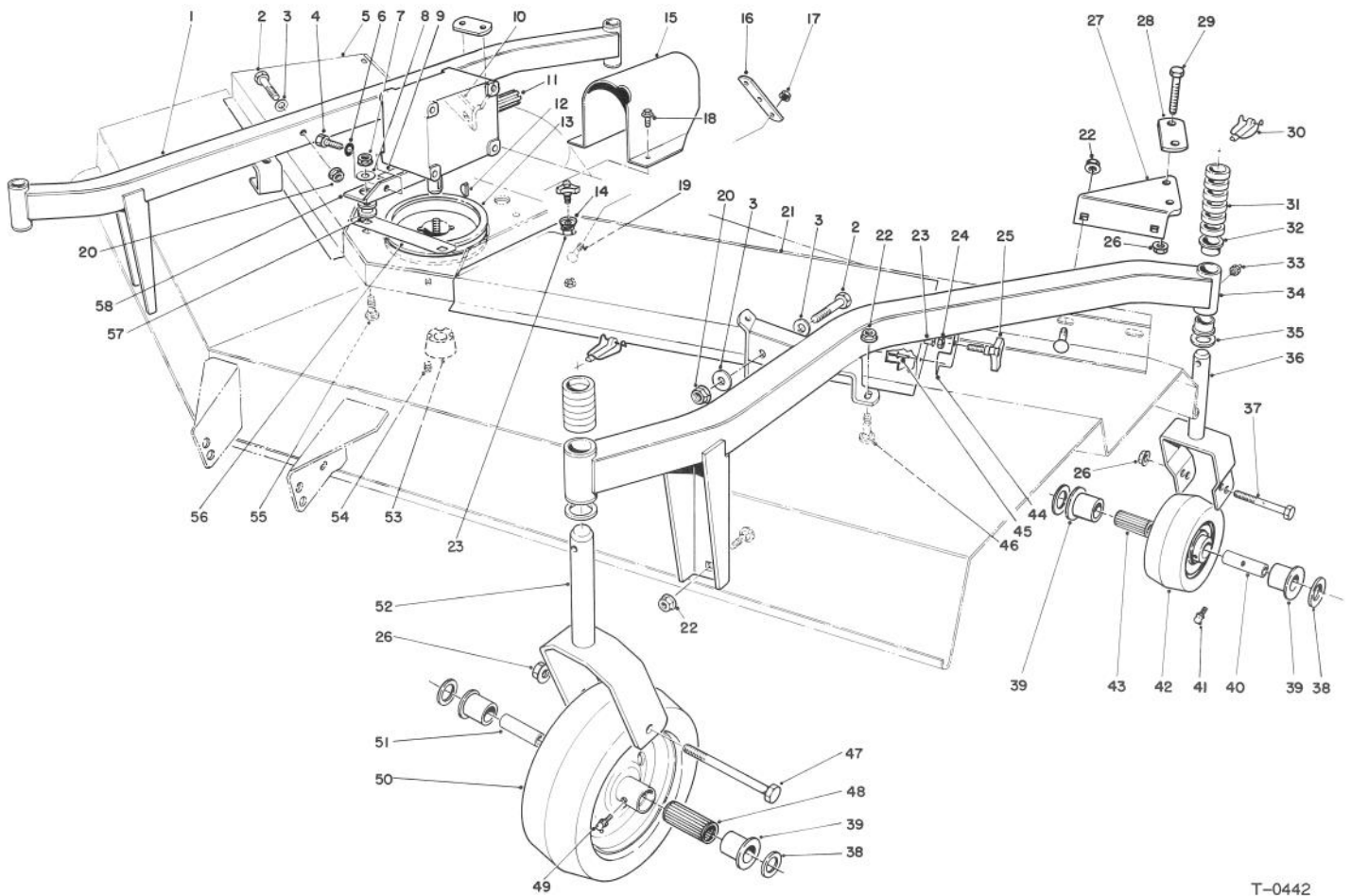


T-0442

CUTTING UNIT MODEL NO. 30722 (Continued)

Ref. No.	Part No.	Description	No. Used	Ref. No.	Part No.	Description	No. Used
1	26-1490	Caster Arm R.H. (Incl. Ref. #32)	1	24	3296-59	Nut - Lock	4
2	324-12	Screw - Cap, Hex Hd.	4	25	27-4570	Knob	4
3	66-6480	Washer - Flat	4	26	32128-23	Nut - Lock, Flange	8
4	323-4	Screw - Cap, Hex Hd.	4	27	39-7450	Bracket - Clamp	1
5	14-0809	Cover - Deck R.H. (Incl. Ref. #24, 25, 44-45)	1	28	39-3330	Bar - Caster Clamp	2
6	3253-21	Washer - Lock	4	29	325-14	Screw - Cap, Hex Hd.	4
7	32128-21	Nut - Flange	4	30	3290-384	Pin - Lynch	4
8	63-8410	Washer	4	31	63-0070	Spacer - 1/2	24
9	70-2560	Decal - Lube	1	32	28-9290	Bushing - Special	8
10	39-3340	Bracket - Clamp	1	33	302-5	Fitting - Grease	4
11	68-6810	Gear Case Assembly	1	34	26-1430	Caster Arm (Incl. Ref. #32)	1
12	3257-5	Key - Woodruff	1	35	3-6781	Washer	4
13	26-1400	Pulley - Deck	1	36	75-9680	Fork - Caster, Rear	2
14	66-6310	Washer - Cup	2	37	325-18	Screw - Cap, Hex Hd.	2
15	63-1970	Shroud - Universal	1	38	3256-6	Washer - Flat	8
16	21-3770	Strap - Lift	1	39	62-5580	Bushing	8
17	3290-357	Nut - Flange	4	40	63-1770	Spanner - Rear	2
18	32104-82	Screw - Cap, Self-Tapping	2	41	302-11	Fitting - Grease	2
19	3231-27	Bolt - Carriage	2	42	63-8400	Wheel - Caster Rear (Incl. Ref. #39, 41 & 43)	2
20	32128-42	Nut - Flange	4	43	63-8580	Bearing - Roller	2
21	14-0819	Cover - Deck L.H. (Incl. Ref. #24, 25, 44-45)	1	44	66-1260	Bracket - Knob	2
22	32128-49	Nut - Flange	12	45	3269-5	Rivet - Pop	4
†23	3290-469	Nut - Grip	4	46	3233-2	Bolt - Carriage	12
				47	325-22	Screw - Cap, Hex Hd.	2

†Special tool required to install.

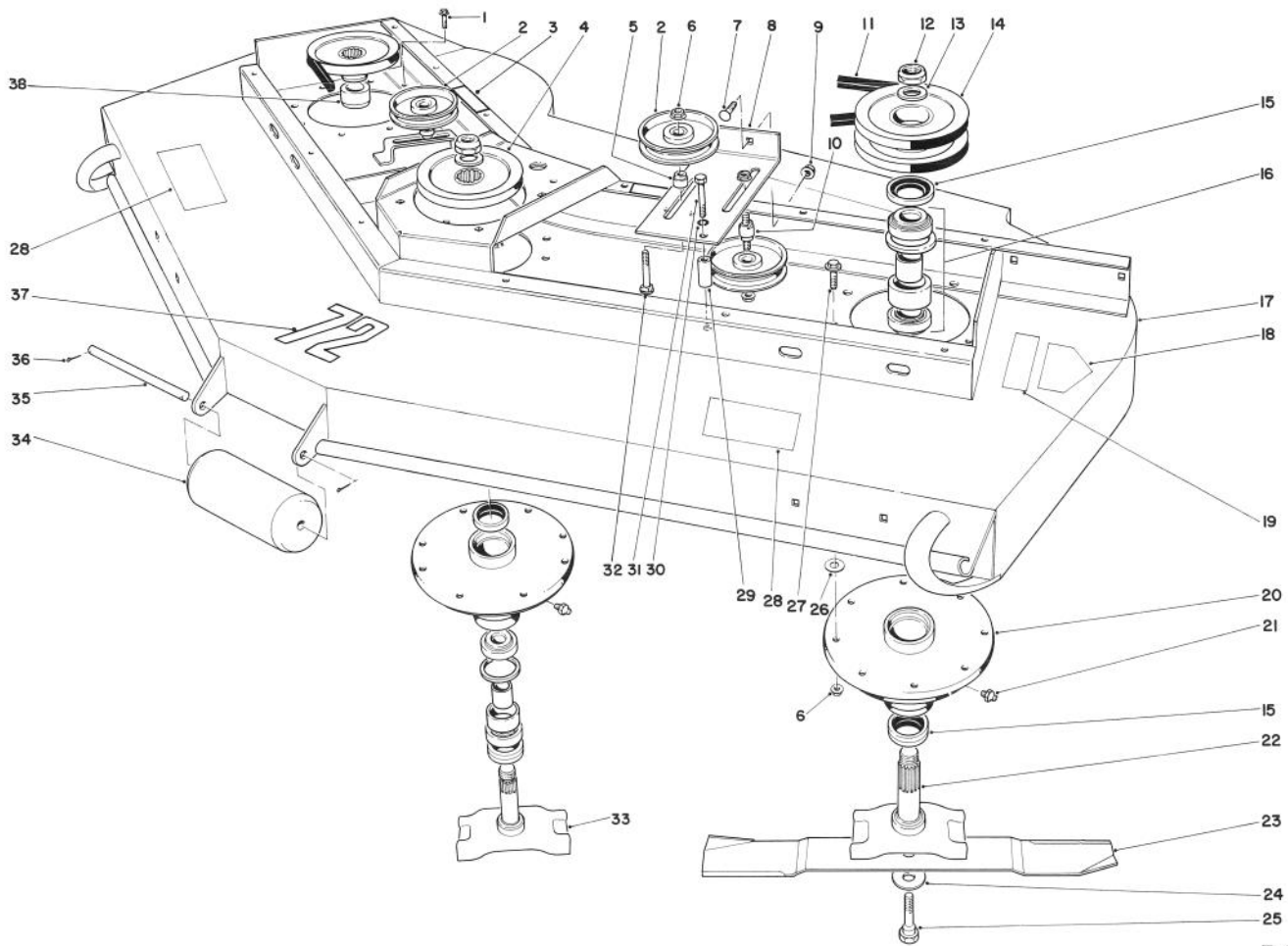


T-0442

CUTTING UNIT MODEL NO. 30722 (Continued)

Ref. No.	Part No.	Description	No. Used	Ref. No.	Part No.	Description	No. Used
48	83-4740	Bearing - Roller	2	54	3247-4	Screw - Set	2
49	302-40	Fitting - Grease	20	55	3231-26	Bolt - Carriage	4
50	62-4330	Wheel - Caster - Front (Inc. Ref. #39, 48 & 49)	2	56	68-9890	Cover - Gear Box, Front	1
51	62-4340	Spanner - Front	2	57	63-9750	Mount - Isolation	4
52	26-1530	Fork - Caster, Front	2	58	68-8560	Bracket - Gear Box	2
53	23-1640	Bushing -TaperLock (Incl. Ref. #54)	1	*	12-1509	Pneumatic Tire & Wheel (Optional)	2

*Not Illustrated



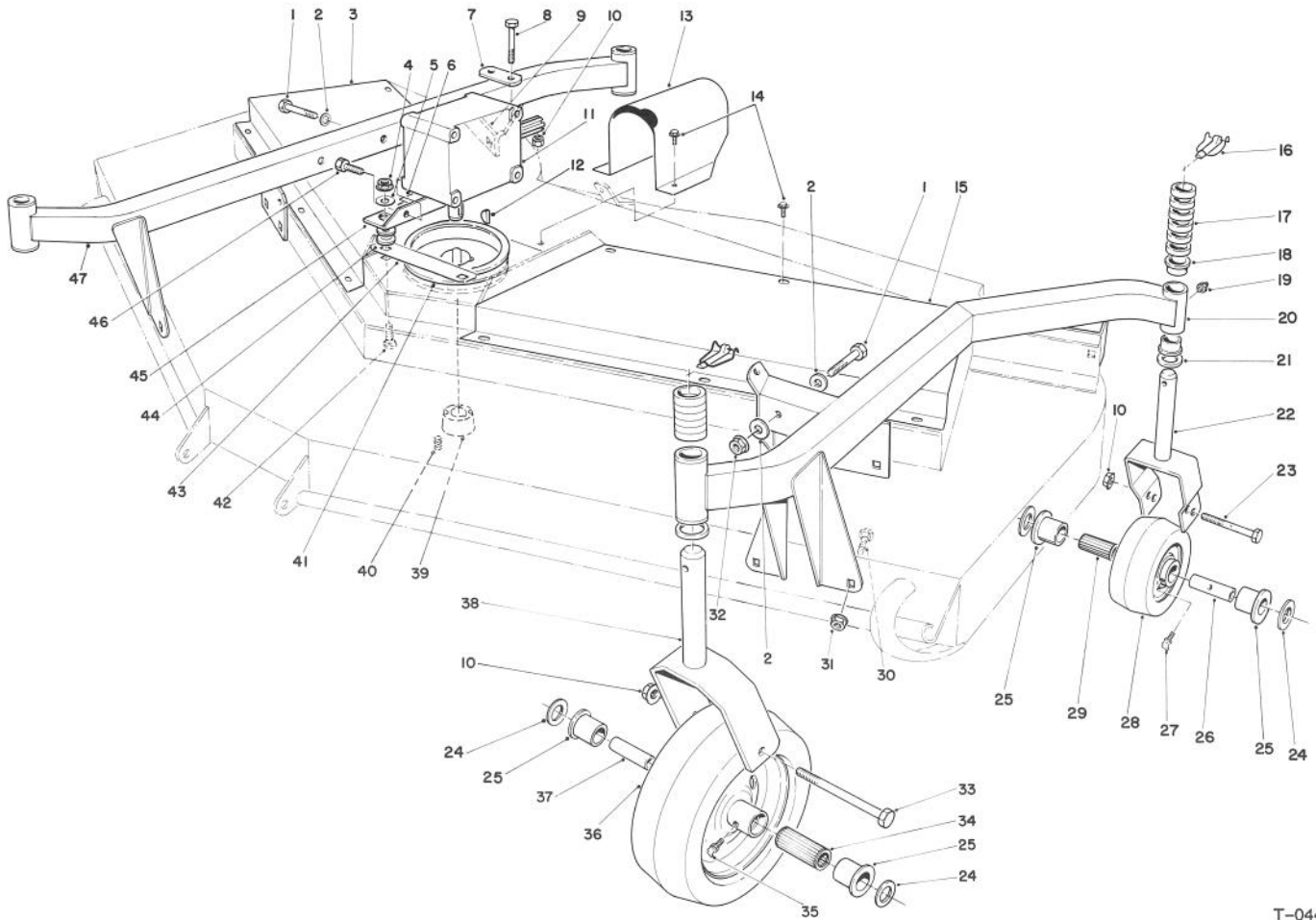
T-0443

CUTTING UNIT MODEL NO. 30710

Ref. No.	Part No.	Description	No. Used
1	3234-11	Screw - Hex. Hd. Flange	4
2	26-1840	Idler Pulley	3
3	67-5360	Decal - Shield Missing	2
4	26-1760	Pulley	2
5	26-1860	Spacer - Idler Pulley	2
6	32128-21	Nut - Flange	28
7	3231-22	Bolt - Carriage	2
8	26-1870	Idler Mount L.H.	1
9	3290-357	Nut - Flange	2
10	26-1850	Stud - Idler	1
11	21-0890	V-Belt	3
12	3296-49	Nut - Lock	3
13	3-8514	Washer	3
14	26-9100	Pulley L.H.	1
15	253-138	Oil Seal	9
16	49-8320	Bearing & Spacer Assy. (Matched Set)	3
17	38-9200	Cutter Deck	1
18	43-8480	Decal - Danger	2
19	68-7280	Decal - Blade Bolt Torque	1
20	84-2020	Spindle Housing	3

Ref. No.	Part No.	Description	No. Used
21	302-52	Fitting - Grease	3
22	26-1690	Spindle - Outer	2
23	29-5530	Blade	3
24	26-1990	Washer - Belleville	3
25	26-1820	Screw - Cap, Hex. Hd.	3
26	3256-24	Washer - Flat	A/R
27	3234-1	Screw - Hex. Hd. Flange	20
28	66-1340	Decal - Danger	2
29	26-1880	Spacer - Idler Mount	1
30	3253-21	Washer - Lock	1
31	323-12	Screw - Cap, Hex. Hd.	1
32	3231-29	Bolt - Carriage	2
33	26-1680	Spindle Center	1
34	31-0750	Roller	1
35	32-9610	Roller Shaft	1
36	3272-11	Pin - Cotter	2
37	57-0280	Decal - 72"	1
38	26-1790	Spacer - R.H. Spindle	1
*	23-2410	Blade - High Lift (Optional)	3

*Not Illustrated

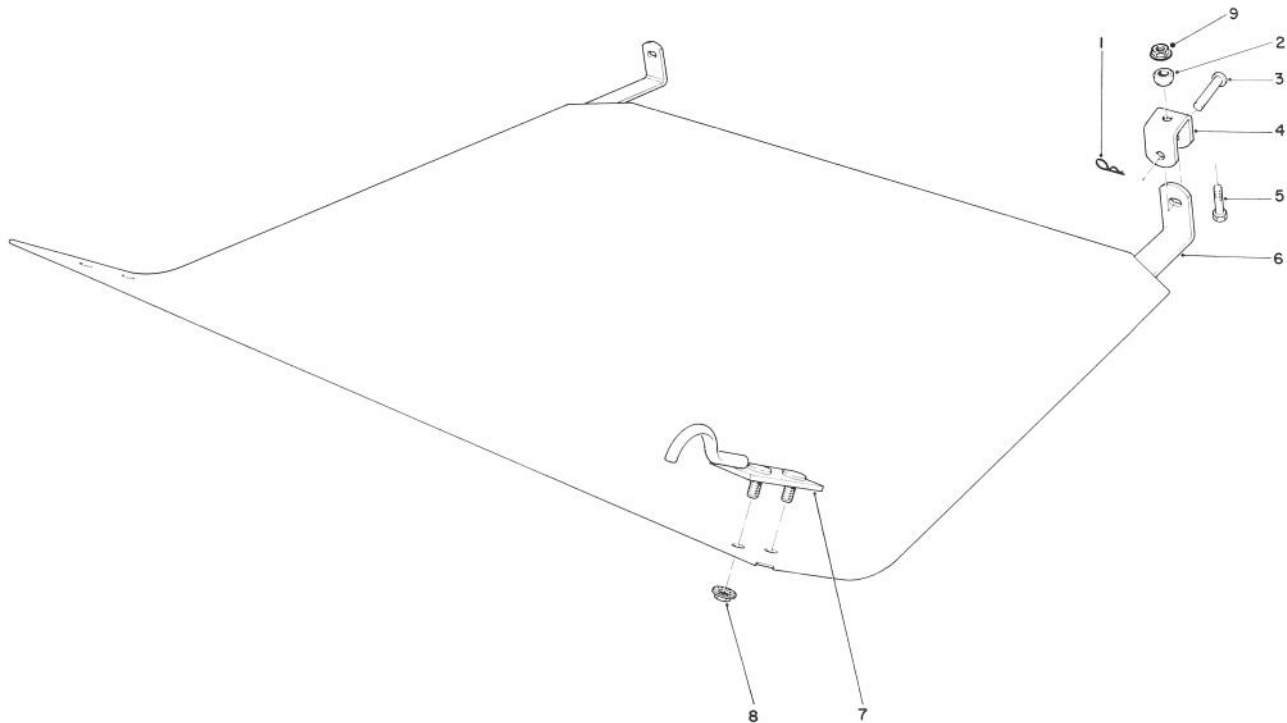


T-0444

CUTTING UNIT MODEL NO. 30710 (Continued)

Ref. No.	Part No.	Description	No. Used	Ref. No.	Part No.	Description	No. Used
1	324-12	Screw - Cap, Hex. Hd.	4	27	302-11	Fitting - Grease	4
2	66-6480	Washer - Flat	4	28	63-8400	Wheel - Castor - Rear (Inc. Ref. #25, 27 & 29)	2
3	26-1890	Cover R.H. - Deck	1	29	63-8580	Bearing - Roller	2
4	32128-21	Nut - Lock, Flange	4	30	3233-2	Bolt - Carriage	12
5	63-8410	Washer	4	31	32128-49	Nut - Flange	12
6	70-2560	Decal - Lube	1	32	32128-42	Nut - Flange	4
7	39-3330	Bar - Clamp Castor Arm	1	33	325-22	Screw - Cap, Hex Hd.	2
8	325-14	Screw - Cap, Hex. Hd.	2	34	83-4740	Bearing - Roller	2
9	39-3340	Bracket - Clamp	1	35	302-40	Fitting - Grease	2
10	32128-23	Nut - Lock, Flange	6	36	62-4330	Wheel - Castor - Front (Inc. Ref. #25, 35 & 36)	2
11	68-6810	Gear Box Assembly	1	37	62-4340	Spanner - Front	2
12	3257-5	Key - Woodruff	1	38	26-1530	Fork - Castor	2
13	63-1970	Shroud - Universal	1	39	23-1640	Bushing - Taper	1
14	32104-82	Screw - Cap, Self Tapping	14	40	3247-4	Screw - Set	2
15	26-1900	Cover L.H. - Deck	1	41	26-1400	Pulley - Deck	1
16	3290-384	Pin - Lynch - Safety Type	4	42	3231-26	Bolt - Carriage	4
17	63-0070	Spacer 1/2"	24	43	68-9890	Cover - Gear Box - Front	1
18	28-9290	Bushing - Special	8	44	63-9750	Mount - Isolation	4
19	302-5	Fitting - Grease	4	45	68-8560	Bracket - Gearbox	2
20	38-9420	Arm - Castor L.H. (Incl. Ref. #18)	1	46	323-4	Screw - Cap, Hex Hd.	4
21	3-6781	Washer	4	47	38-9370	Arm - Castor - R.H. (Incl. Ref. #18)	1
22	75-9680	Fork - Castor, Rear	2	*	12-1509	Pneumatic Tire & Wheel Assy. (Optional)	1
23	325-18	Screw - Cap, Hex Hd.	2				
24	3256-6	Washer - Flat	8				
25	62-5580	Bushing	8				
26	63-1770	Spanner - Rear	2				

*Not Illustrated



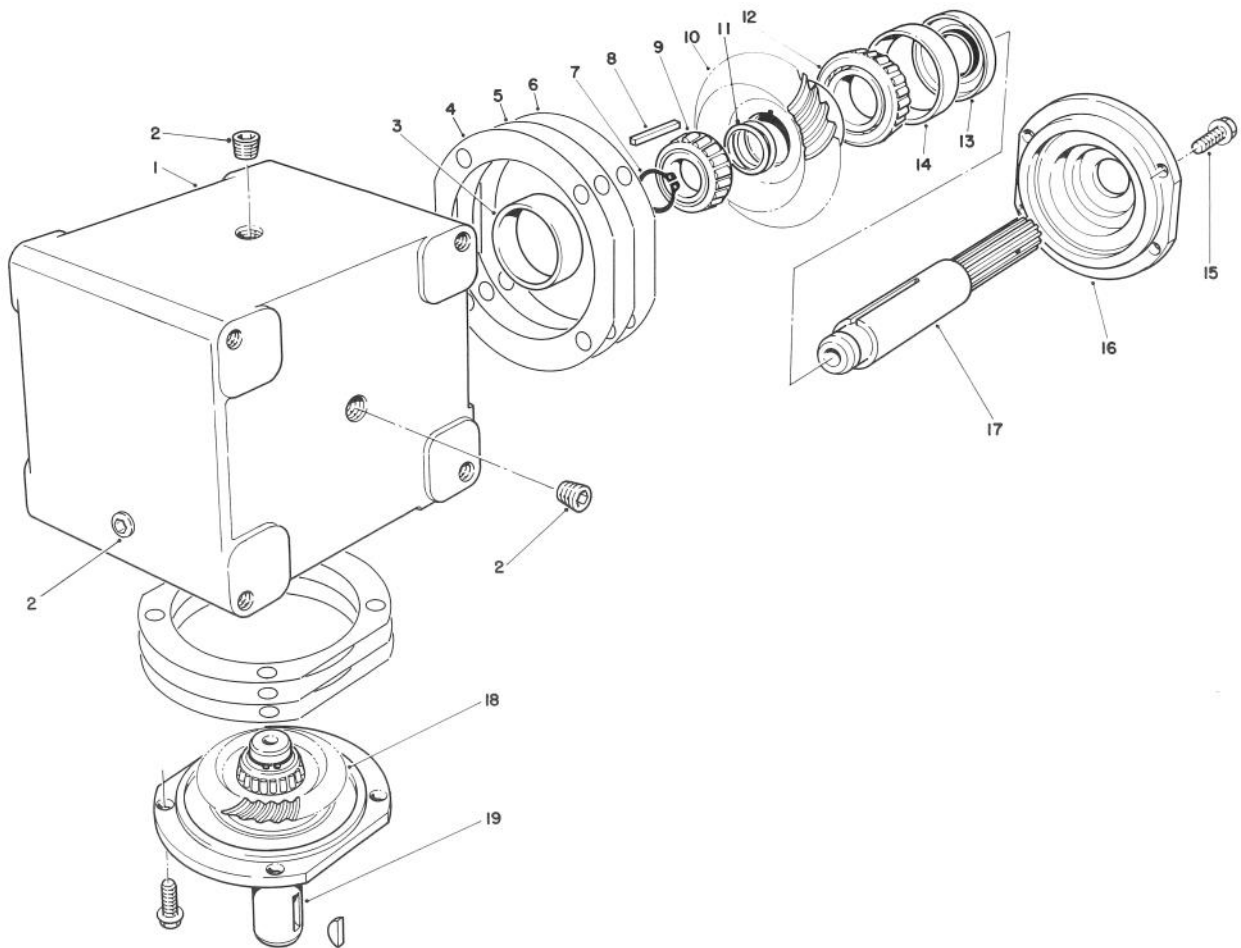
T-0445

CUTTING UNIT MODEL NO. 30710 (Continued)

Ref. No.	Part No.	Description	No. Used
1	3290-322	Pin - Cotter, Hair	2
†2	46-1600	Spacer	2
3	283-23	Pin - Clevis	2
4	39-1470	Hanger - Belly Shield	2
5	323-7	Screw - Cap, Hex. Hd.	2

Ref. No.	Part No.	Description	No. Used
6	39-1410	Shield - Belly	1
7	39-1440	Hook - Shield, Belly	2
8	32128-20	Nut - Flange	4
†9	32128-21	Nut - Flange	2

†Use with diesel unit ONLY

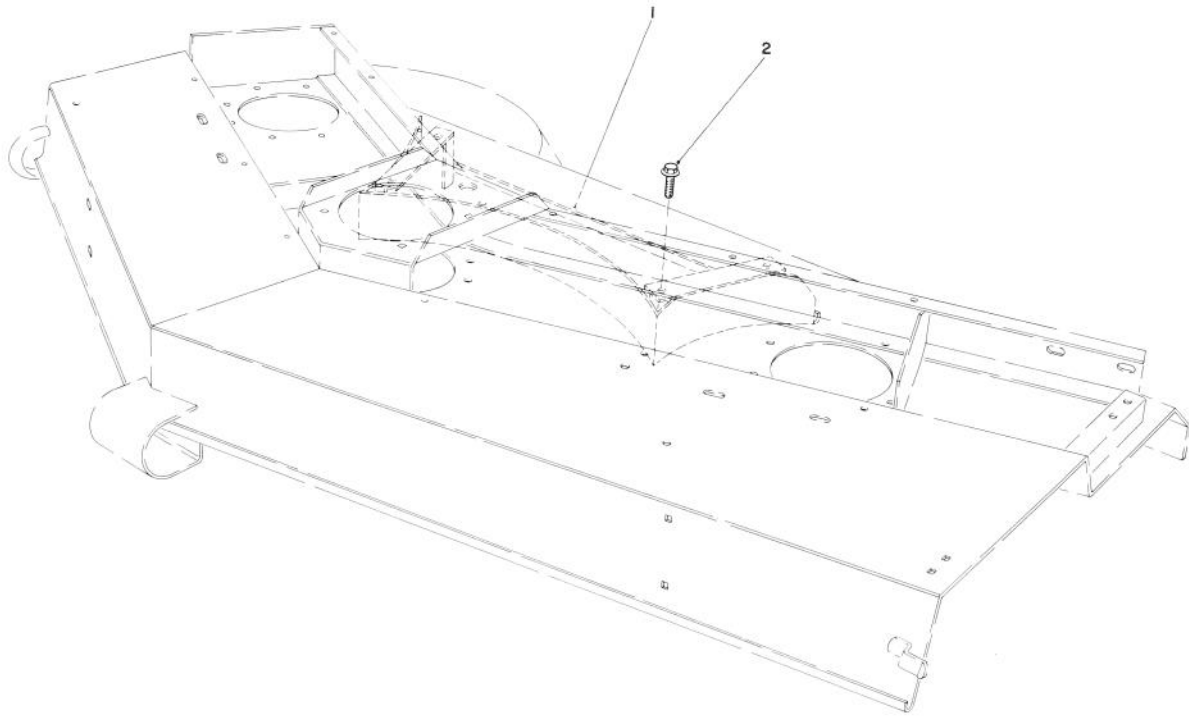


T-0977

GEAR BOX ASSEMBLY NO. 68-6810

Ref. No.	Part No.	Description	No. Used
1	68-7030	Housing	1
2	62-3490	Plug - Pipe (Solid)	4
3	62-3360	Cup - Bearing	2
4	62-3420	Gasket (.015 in.)	A/R
5	62-3430	Gasket (.005 in.)	A/R
6	62-3440	Gasket (.003 in.)	A/R
7	68-7070	Ring - Retaining	2
8	62-3380	Key	2
9	62-3370	Cone - Bearing	2
10	68-7080	Gear	1

Ref. No.	Part No.	Description	No. Used
11	72-9370	Shim (.020 in.)	4
12	62-3330	Cone - Gear	1
13	62-3400	Seal	2
14	62-3340	Cup - Bearing	2
15	62-3310	Screw - Cap, Sems	8
16	62-3410	Cap	2
17	68-7040	Shaft	1
18	68-7060	Gear	1
19	68-7050	Shaft	1

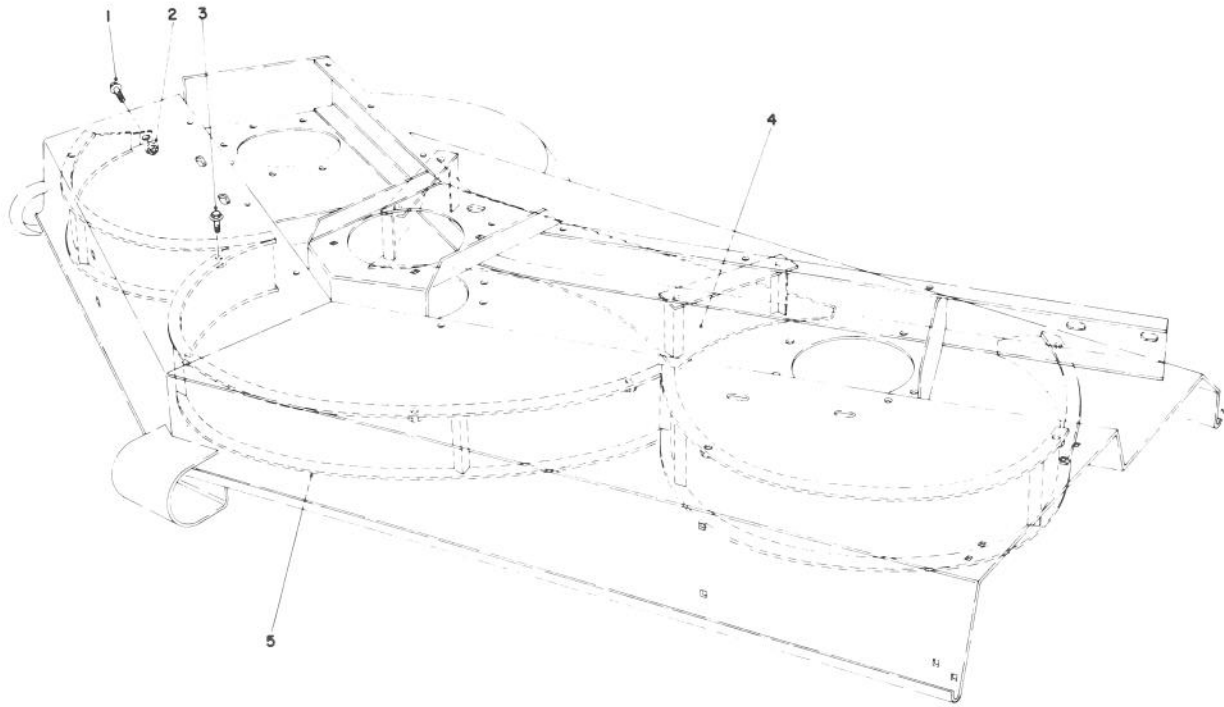


T-0446

REAR BAFFLE KIT NO. 51-1460 (Optional) (For Cutting Unit Model No. 30721)

Ref. No.	Part No.	Description	No. Used
1		Rear Baffle	1

Ref. No.	Part No.	Description	No. Used
2	3234-1	Screw - Hex. Hd. Flange	4



T-0447

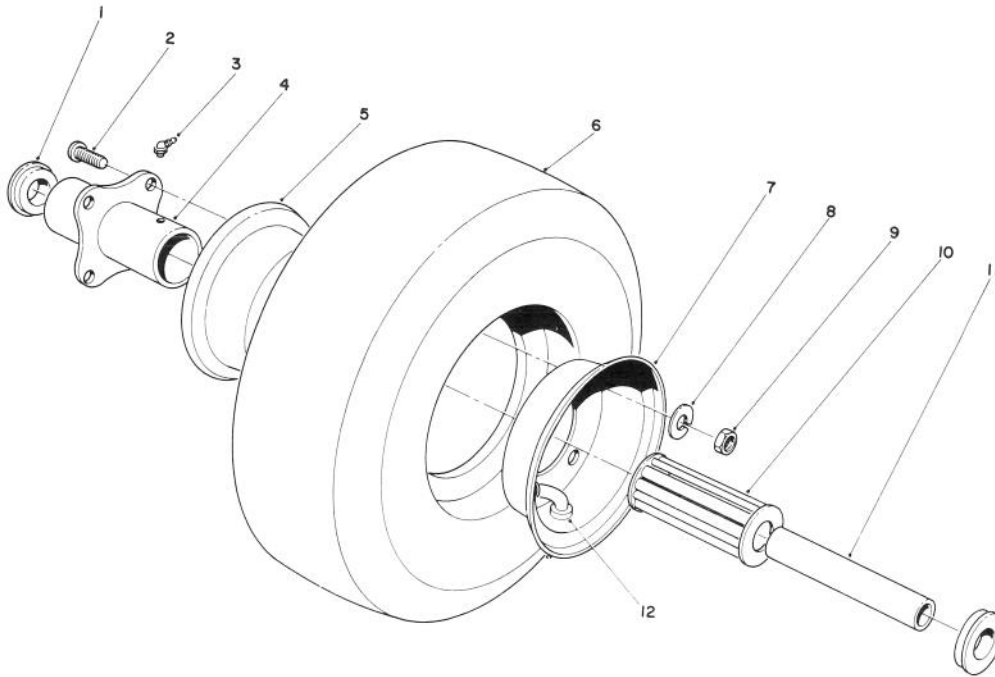
MULCHER KIT MODEL NO. 30732 (Optional)
(For Cutting Unit Model No. 30721)
MULCHER KIT MODEL NO. 30733 (Optional)
(For Cutting Unit Model No. 30722)

Ref. No.	Part No.	Description	No. Used
1	3234-11	Screw - Hex. Hd. Flange	1
2	32128-21	Nut - Flange	13
3	3234-1	Screw - Hex. Hd. Flange	12

Ref. No.	Part No.	Description	No. Used
4	23-4190	Bottom Rear Shield (Model 30732 only)	1
*	68-6740	Bottom Rear Shield (Model 30733 only)	1
5	27-5430	Mulcher Screen	1

*Not Illustrated

Note: Will not fit with Cutting Unit Model No. 30710.

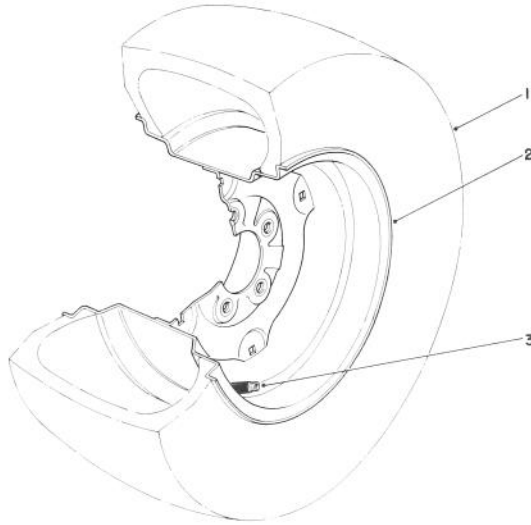


T-0448

CUTTING UNIT PNEUMATIC TIRE & WHEEL ASSEMBLY NO. 12-1509 (Optional)

Ref. No.	Part No.	Description	No. Used
1	54-8930	Retainer	2
2	54-8890	Bolt - Wheel	4
3	302-10	Fitting - Grease	1
4	54-8920	Hub - Centered	1
5	54-8910	Wheel Half - Female	1
6	54-8960	Tire	1
7	54-8900	Wheel Half - Male	1

Ref. No.	Part No.	Description	No. Used
8	3253-4	Washer - Lock	4
9	3217-6	Nut - Hex.	4
10	54-8940	Bearing - Roller (Open Cage)	1
11	55-7080	Bushing - Spanner	1
12	54-8950	Tube w/Valve	1



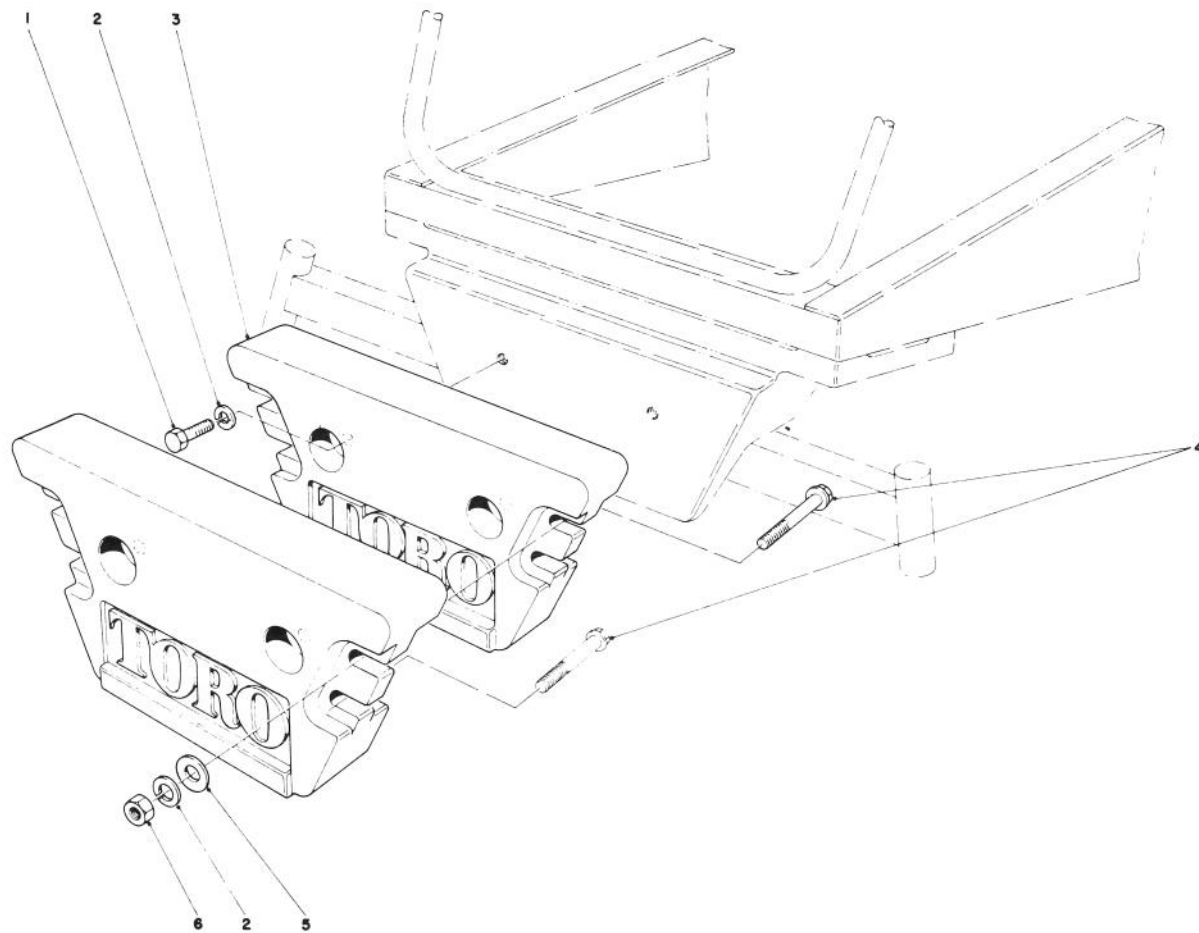
T-0449

23 x 10.5 x 12 TIRE & WHEEL ASSEMBLY NO. 62-7020 (Optional)

Ref. No.	Part No.	Description	No. Used
1	231-95	Tire	1
2	217-116	Rim	1

Ref. No.	Part No.	Description	No. Used
3	232-27	Valve Stem	1

Note: Will not fit with Cutting Unit Model No. 30710.

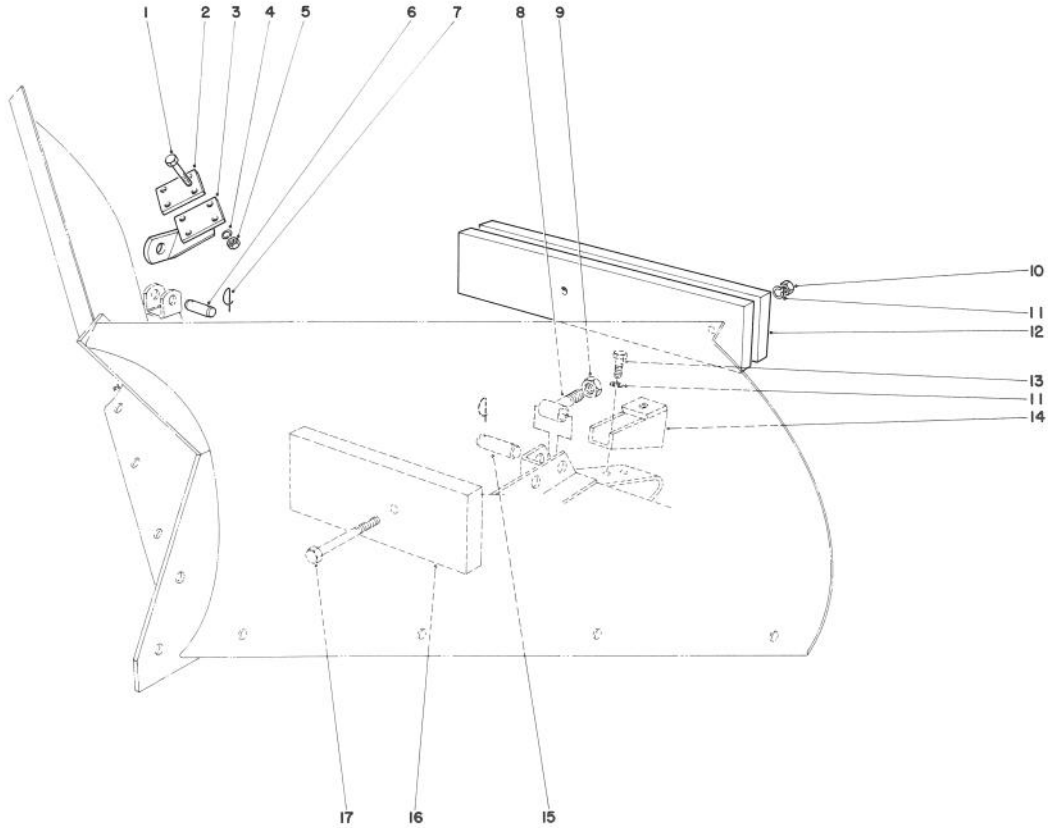


T-0427

REAR WEIGHT KIT NO. 24-5780 (Optional)

Ref. No.	Part No.	Description	No. Used
1	325-6	Screw - Cap, Hex. Hd.	2
2	3253-7	Washer - Lock	6
3	24-5790	Rear Weight	2

Ref. No.	Part No.	Description	No. Used
4	325-14	Screw - Cap, Hex. Hd.	4
5	3256-26	Washer - Flat	8
6	3217-9	Nut - Hex.	4



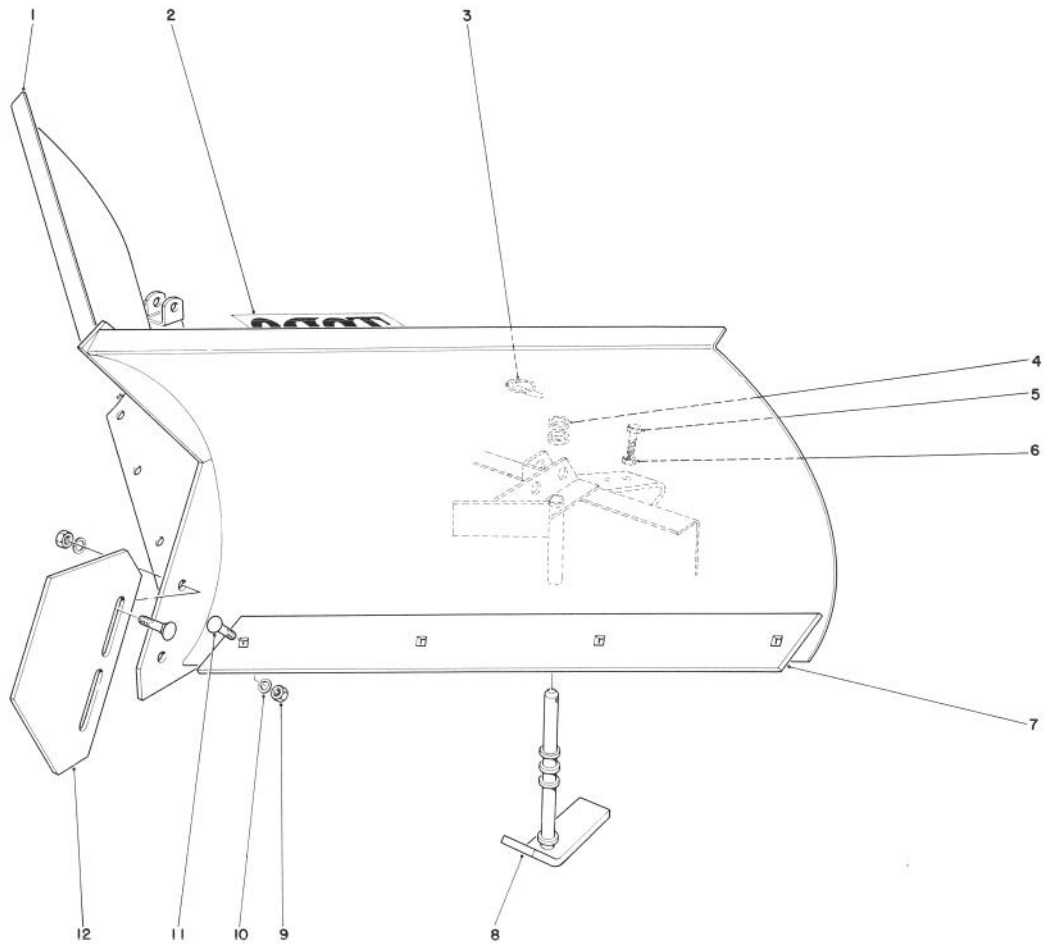
T-0451

V-PLOW INSTALLATION KIT MODEL NO. 30757 (Optional)

Ref. No.	Part No.	Description	No. Used
1	323-14	Screw - Cap, Hex. Hd.	4
2	24-2690	Plate - Clamp	1
3	24-2680	Push Arm Bracket	1
4	3253-21	Washer - Lock	4
5	3217-7	Nut - Hex.	4
6	5-3505	Pin	1
7	5-3126	Pin - Spring	4
8	23-9930	Push Pin	1
9	21-3000	Nut - Jam	1
10	3217-9	Nut - Hex.	2

Ref. No.	Part No.	Description	No. Used
11	3253-7	Washer - Lock	4
12	24-2660	Outside Weight	2
13	325-4	Screw - Cap, Hex. Hd.	2
14	24-2630	Stop	1
15	25-1350	Pin	1
16	24-2670	Inside Weight	2
17	325-22	Screw - Cap, Hex. Hd.	2
*	11-0390	Chains - Tire (1 Pair)	1

*Not Illustrated

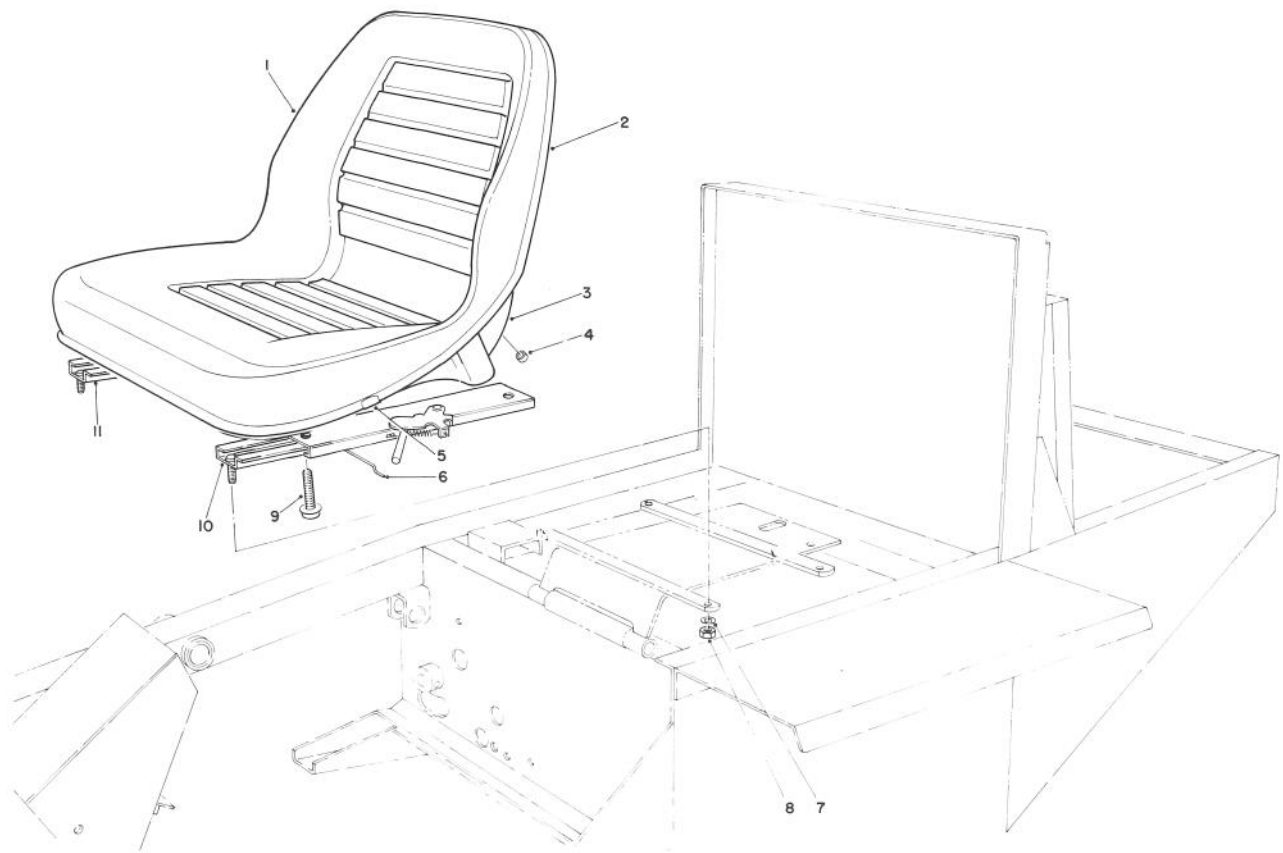


T-0452

V-PLOW MODEL NO. 30750 (Optional)

Ref. No.	Part No.	Description	No. Used
1	23-9960	V-Plow	1
2	66-6140	Decal	1
3	3290-243	Pin - Lynch	2
4	20-4370	Spacer Tubes	10
5	325-6	Screw - Cap, Hex. Hd.	1
6	3218-5	Nut - Jam	1

Ref. No.	Part No.	Description	No. Used
7	24-5570	Scraper Blade	2
8	24-5540	Skid	2
9	3217-9	Nut - Hex.	10
10	3253-7	Washer - Lock	10
11	3233-2	Bolt - Carriage	10
12	24-5530	Nose Skid	1



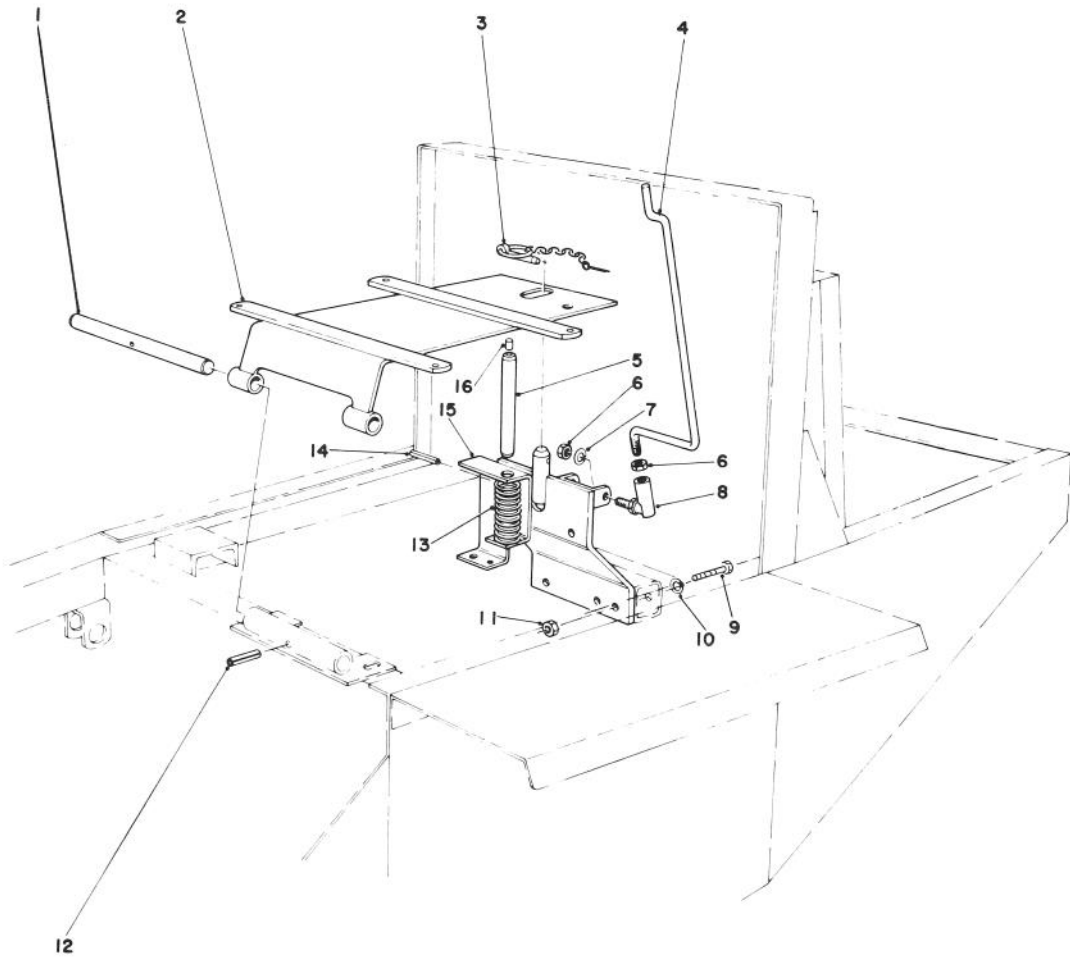
T-0450

STANDARD SEAT KIT MODEL NO. 30770

Ref. No.	Part No.	Description	No. Used
1		Cushion	1
2		Trim	1
3		Base	1
4		Grommet	1
5		Clip	1
6	52-4890	Rod Connecting	1
7	3253-4	Washer - Lock	4

Ref. No.	Part No.	Description	No. Used
8	3217-6	Nut - Hex.	4
9	3234-5	Screw - Cap, Hex. Hd. Fl.	4
10	51-0790	Adjuster L.H.	1
11	52-4880	Adjuster - R.H.	1
*	66-5400	Seat Assembly (Incl. Ref. #1-5)	1

*Not Illustrated

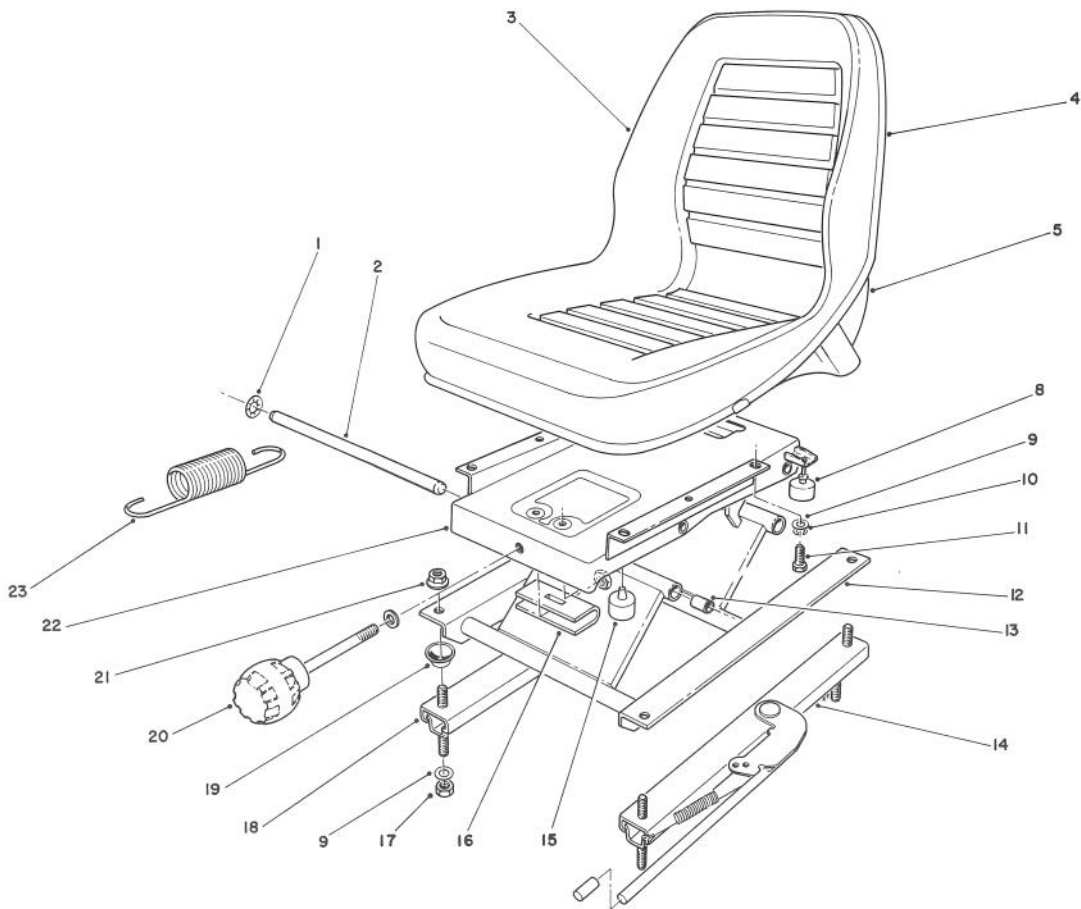


T-0453

STANDARD SEAT KIT MODEL NO. 30770 (Continued)

Ref. No.	Part No.	Description	No. Used
1	27-4720	Shaft	1
2	36-7550	Seat Support	1
3	283-76	Lynch Pin	1
4	37-9580	Seat Prop	1
5	27-9870	Pin - Seat Switch	1
6	3220-2	Nut - Jam	2
7	3253-24	Washer - Lock	1
8	37-9570	Ball Joint	1

Ref. No.	Part No.	Description	No. Used
9	323-14	Screw - Cap, Hex. Hd.	2
10	5-0838	Washer - Flat	3
11	32128-21	Nut	2
12	32121-4	Spring Pin	1
13	28-0570	Spring -Compression	1
14	32121-6	Spring Pin	1
15	71-4490	Seat Support Bracket	1
16	28-6180	Pin - Plastic	1

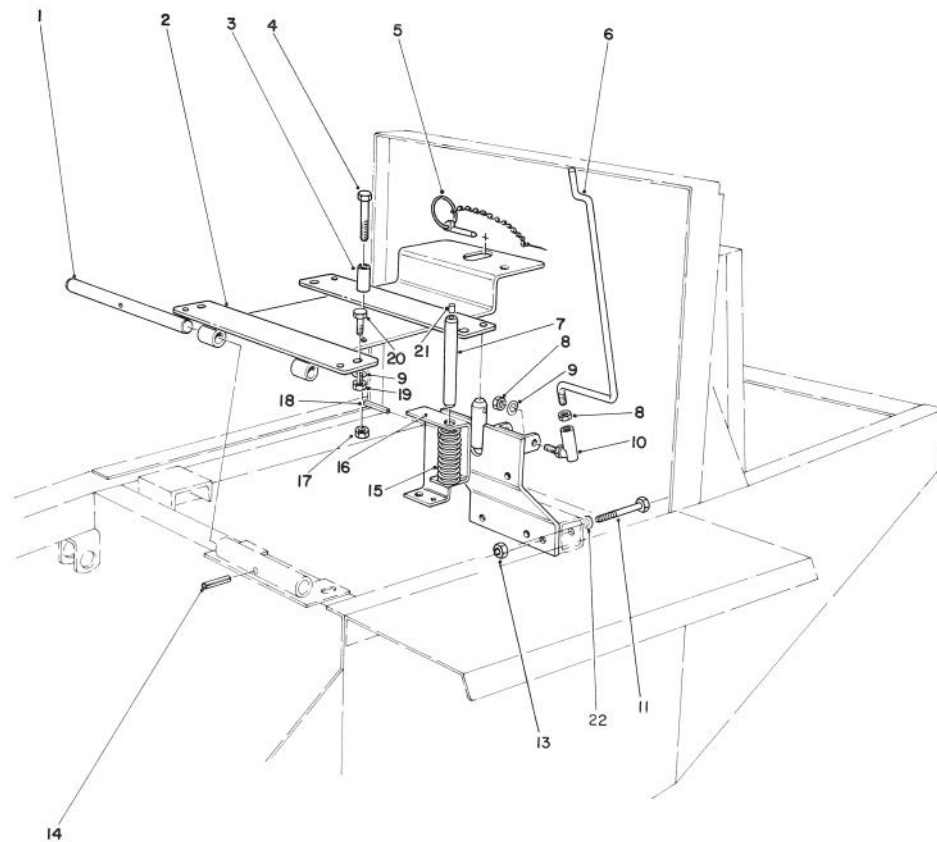


T-0454

DELUXE SEAT KIT MODEL NO. 30772

Ref. No.	Part No.	Description	No. Used	Ref. No.	Part No.	Description	No. Used
1	66-8560	Nut - Push	4	14	66-8510	Adjuster w/Handle	1
2	76-1910	Shaft - Pivot	2	15	66-8520	Bumper - Stop	2
3		Cushion - Seat	1	16	66-8540	Hanger - Spring	1
4		Trim - Seat	1	17	3296-29	Nut - Lock	4
5		Base - Seat	1	18	66-8530	Adjuster	1
6		Grommet	1	19	66-9290	Spacer - Suspension	4
7		Cup	1	20	76-1930	Knob - Adjustment	1
8	76-2940	Bumper	2	21	32128-25	Nut - Lock, Flange Hd.	4
9	3256-2	Washer - Flat	8	22	66-8600	Frame - Upper	1
10	3253-4	Washer - Lock	4	23	76-1940	Spring - Extension	2
11	322-3	Screw - Cap, Hex. Hd.	4	*	66-5400	Seat Assembly (Incl. Ref. #3-7)	1
12	66-8610	Frame - Lower	1				
13	76-1920	Bearing - Sleeve	4				

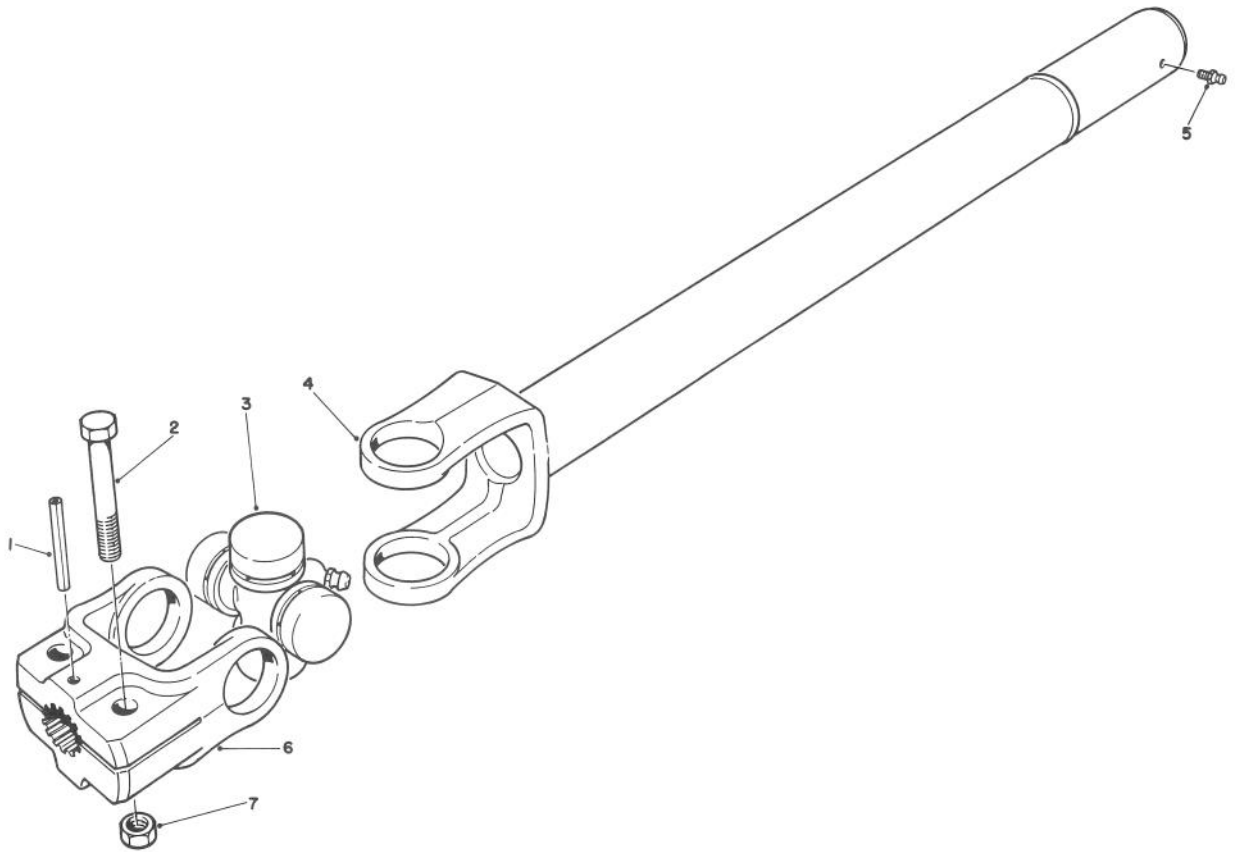
*Not Illustrated



T-0212

DELUXE SEAT ADAPTER KIT MODEL NO. 30791

Ref. No.	Part No.	Description	No. Used	Ref. No.	Part No.	Description	No. Used
1	27-4720	Shaft	1	13	32128-21	Nut	2
2	67-9860	Support - Seat	1	14	32121-4	Pin - Spring	1
3	67-9210	Spacer	1	15	37-9590	Spring - Compression	1
4	322-10	Screw - Cap, Hex. Hd.	1	16	71-4490	Bracket - Seat Support	1
5	283-76	Pin - Lynch	1	17	32146-5	Nut - Flange Hd.	1
6	37-9580	Prop - Seat	1	18	32121-6	Pin - Spring	1
7	27-9870	Pin - Seat Switch	1	19	3217-6	Nut	4
8	3220-2	Nut - Jam	2	20	322-4	Screw - Cap, Hex. Hd.	4
9	3253-24	Washer - Lock	5	21	28-6180	Pin - Plastic	1
10	37-9570	Ball Joint	1	22	5-0838	Washer - Flat	3
11	323-14	Screw - Cap, Hex. Hd.	2				

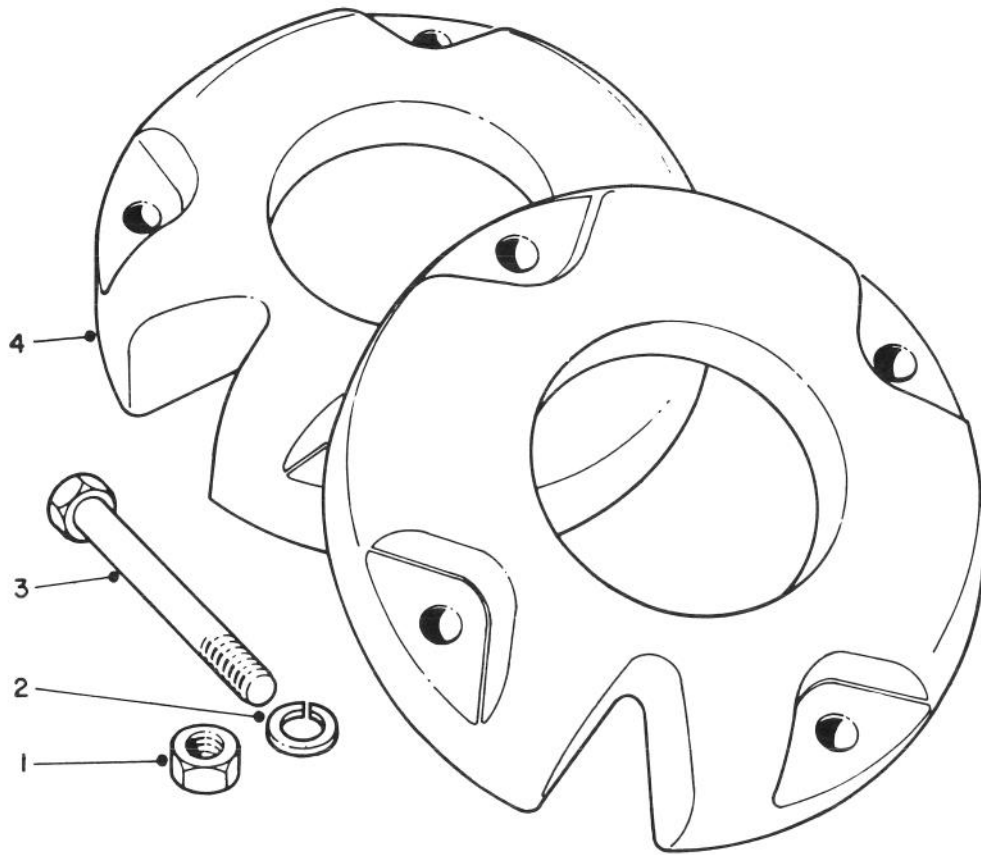


T-0928

FULL TIME 4 WD DRIVE SHAFT ASSEMBLY KIT PART NO. 72-3740 (Optional)

Ref. No.	Part No.	Description	No. Used
1	32121-34	Pin - Roll	1
2	323-9	Screw - Cap, Hex. Hd.	2
3	54-9180	Kit - Joint, Universal	1
4	72-3460	Tube - Yoke, Half-Slip	1

Ref. No.	Part No.	Description	No. Used
5	302-58	Fitting - Grease	1
6	72-3450	Yoke - Flange, Split	1
7	32153-2	Nut - Lock	2

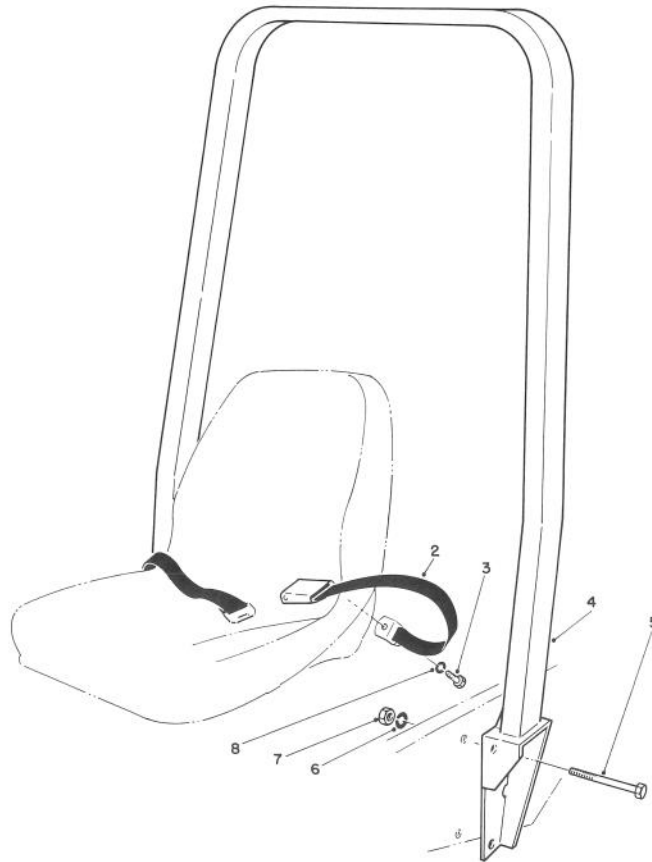


T-0457

WHEEL WEIGHTS NO. 11-0440 (Optional)

Ref. No.	Part No.	Description	No. Used
1	3218-5	Nut	8
2	3253-7	Washer - Lock	8

Ref. No.	Part No.	Description	No. Used
3	325-14	Screw - Cap, Hex. Hd.	8
4	7-2111	Weight - Wheel	2



T-0927

ROLL OVER PROTECTION KIT

Ref. No.	Part No.	Description	No. Used
2†	3-10287	Seat Belt Assembly	1
3	3212-4	Screw - Cap, Hex. Hd.	2
4	4-11797*	Roll Bar Assembly	1
5	328-5	Screw - Cap, Hex. Hd.	4

Ref. No.	Part No.	Description	No. Used
6	3253-9	Washer - Lock	4
7	3217-12	Nut - Hex	4
8	3253-6	Washer - Lock	2

*Obtain from Custom Products, Litchfield, MN 55355.

†Do not use without installing ROPS Rollover Protection Kit.

PART NUMBER INDEX

Part No.	Description	Pg. Ref.		Part No.	Description	Pg. Ref.	
		No.	Qty.			No.	Qty.
3-1365	Chain - Lift	50	36 3	21-3380	Cable - L.H. Brake	10	15 1
3-3251	Spring - Compression	10	9 1	21-3600	Foam - Tank Support	14	3 1
3-6498	Washer	8	18 A/R	21-3610	Foam - Tank Support	14	21 1
3-6781	Washer	52	35 4	21-3750	Support Plate	50	23 1
3-6781	Washer	55	21 4	21-3770	Strap - Lift	52	16 1
3-6803	Washer	36	15 A/R	21-7670	Case - Differential	16	35 1
3-7243	Spring - Extension	10	13 2	21-7690	Gear - Pinion	15	6 2
3-7292	Pin	50	20 1	21-7700	Shaft - Pinion, Mate	16	33 1
3-8514	Washer	51	16 3	21-7720	Washer - Thrust	15	4 2
3-8514	Washer	54	13 3	21-7730	Washer - Thrust	15	7 2
3-8812	Spacer	8	19 1	21-7770	Screw - Gear, Drive	16	34 5
3-10287	Seat Belt Assembly	71	2{ 1	21-7830	Cover - Gear	15	12 1
4-2390	Washer	34	49 2	21-8020	Spacer - Bearing, Pinion Ft.	15	27 1
4-11797	Roll Bar Assembly	71	4 1	21-8090	Shim .003 - Diff. Adjust.	16	40 A/R
5-0652	Spacer	8	37 1	21-8100	Shim .005 - Diff. Adjust.	16	39 A/R
5-0701	Spring Anchor	9	52 1	21-8110	Shim .010 - Diff. Adjust.	16	38 A/R
5-0838	Washer - Flat	5	38 3	21-8120	Shim .030 - Diff. Adjust.	16	37 A/R
5-0838	Washer - Flat	66	10 3	21-8150	Gear - Spur	15	14 1
5-0838	Washer - Flat	68	22 3	21-8180	Bearing	17	3 2
5-1226	Washer	18	42 A/R	21-8270	Pin - Dowel	15	3 2
5-1747	Spring	8	21 1	21-8320	Gasket - Wheel Bearing	17	20 2
5-1747	Spring - Compression	25	3 1	21-8330	Seal - Oil	17	2 2
5-1754	Washer	50	15 6	21-8360	Clip - Retaining	17	12 2
5-2942	Shackle	50	39 3	21-8590	Link - Valve Lever	30	27 1
5-3126	Pin - Spring	50	21 3	21-8620	Lever Valve	30	2 1
5-3126	Pin - Spring	63	7 4	21-8640	Latch - Valve Lever	30	7 1
5-3505	Pin	63	6 1	21-9010	Pivot Mount - Valve Lever	30	11 1
5-3637	Washer	34	17 1	21-9260	Cover - Dust	11	4 1
6-1659	Toggle Switch	3	19 1	21-9370	Screw - Adjusting	17	16 2
7-2111	Weight - Wheel	70	4 2	21-9380	Nut - Pivot	17	17 2
7-3900	Pad - Brake	10	1 1	21-9390	Socket - Adjusting Screw	17	15 2
11-0390	Chains - Tire	63	* 1	21-9420	Spring - Shoe Return L.H.	17	19 2
11-0590	Screw - Cap, Self Tapping	5	34 2	21-9430	Spring - Shoe Return R.H.	17	7 2
11-0590	Screw - Hex. Hd. Tapping	10	5 2	21-9440	Spring - Adjusting Screw	17	14 2
11-9760	Screw - Self Tapping	27	60 3	21-9450	Dust Shield	17	5 2
12-1509	Pneumatic Tire & Wheel	53	* 2	21-9460	Retainer - Brake Lever	17	10 4
12-1509	Pneumatic Tire & Wheel	55	* 1	22-7810	Spacer	14	19 1
12-5450	Screw - Thread Forming	15	13 8	22-7820	Buzzer Assembly	3	36 1
12-5899	Hood	5	6 1	22-8330	Plug	33	1 2
12-9990	Hour Meter	3	40 1	22-8340	Spring	33	3 2
14-0289	Cutting Deck	51	5 1	22-8350	Ball	33	4 2
14-0809	Cover - Deck R.H.	52	5 1	22-8360	Pin - Cam	33	6 2
14-0819	Cover - Deck L.H.	52	21 1	22-8370	Seat - Check Valve	33	5 2
18-1720	Ball Joint Assembly	34	3 2	22-8380	Spring Retainer	33	10 1
18-2770	Cable - Ground	2	53 1	22-8390	Spring Retainer	33	12 1
20-4370	Spacer Tubes	64	4 10	22-8400	Spacer Float	33	13 1
20-4840	Muffler Clamp	49	1 1	22-8410	Spring	33	11 1
21-0141	Socket Assembly R.H.	10	26 1	22-8420	Spool	33	8 1
21-0160	Ball Joint Assembly	50	33 2	22-8480	Spring Ring Spool	33	14 1
21-0230	Pulley P.T.O.	8	13 1	22-8490	Snap Ring	33	15 1
21-0400	Spring - Compression	8	48 1	23-1640	Bushing - Taper	55	39 1
21-0890	V-Belt	51	14 3	23-1640	Bushing - TaperLock	53	53 1
21-0890	V-Belt	54	11 3	23-1950	Support - Reinforcement	50	18 1
21-1550	Lever - P.T.O.	8	2 1	23-2240	Rod - Pump Control	10	17 1
21-1600	Clamp P.T.O. Lever	9	54 1	23-2270	Bushing - Rubber	10	16 1
21-1820	Stud - Belt Retainer	34	42 2	23-2410	Blade - High Lift	54	* 3
21-1830	Spring - Tension	8	50 1	23-2410	Blade - High Sail (Opt.)	51	* 3
21-1830	Spring Tension	50	5 1	23-4190	Bottom Rear Shield	59	4 1
21-1880	Grip Handle	8	1 1	23-4810	Gear - Output, Trans.	27	52 1
21-2370	Wire - Hour Meter Ground	4	1 1	23-5180	Dipstick	14	41 1
21-2660	Footrest	1	6 1	23-7270	Nut - Wheel	14	32 10
21-2760	Pad - Foot Rest L.H.	2	48 1	23-9930	Push Pin	63	8 1
21-2770	Pad - Foot Rest, R.H.	1	4 1	23-9960	V-Plow	64	1 1
21-2850	Mount - R.H. Pedal	10	4 1	24-2630	Stop	63	14 1
21-2860	Push Arm Bracket	50	24 2	24-2660	Outside Weight	63	12 2
21-2890	Spring - Torsion R.H.	50	31 1	24-2670	Inside Weight	63	16 2
21-2900	Spring - Torsion L.H.	50	30 1	24-2680	Push Arm Bracket	63	3 1
21-2960	Push Arm L.H.	50	29 1	24-2690	Plate - Clamp	63	2 1
21-2990	Shaft - Pivot	50	26 1	24-5530	Nose Skid	64	12 1
21-3000	Nut - Jam	50	35 2	24-5540	Skid	64	8 2
21-3000	Nut - Jam	63	9 1	24-5570	Scraper Blade	64	7 2
21-3020	Ball Joint Mount R.H.	50	4 1	24-5790	Rear Weight	62	3 2
21-3050	Ball Joint Mount L.H.	50	32 1	24-6390	Stud - Battery Hold Down	1	16 2
21-3370	Cable - R.H. Brake	10	* 1	24-6420	Hold Down - Battery	1	21 1

*Not Illustrated

PART NUMBER INDEX (Continued)

Part No.	Description	Pg. No.	Ref. No.	Qty.	Part No.	Description	Pg. No.	Ref. No.	Qty.
24-8790	Gear - Bevel, Diff. Side	15	5	2	27-4720	Shaft	68	1	1
24-8840	Ring - Wheel Bearing	17	21	2	27-5430	Mulcher Screen	59	5	1
24-9180	Strut & Lever Parking Brake	17	4	2	27-7100	Air Cleaner Assembly	49	17	1
24-9510	Pin	50	11	1	27-7110	Element Assembly	49	4	1
24-9740	Cover - Access, Battery	1	32	1	27-7120	Nut & Gasket Assembly	49	5	1
24-9830	Support - Axle	16	44	1	27-7130	Clamp Assembly	49	7	1
25-1350	Pin	63	15	1	27-7140	Skirt - Baffle	49	6	1
25-2380	Thrust Plate	29	50	2	27-7150	Cup Assembly	49	8	1
25-2390	Motor Valve Plate	29	57	1	27-7160	Decal - Instructions	49	3	1
25-2400	Gasket	29	59	1	27-7170	Band Assy.	49	15	2
25-2410	Accel. Valve Assembly	28	17	2	27-7180	Cap Assembly - Air Inlet	49	20	1
25-2420	Center Section	29	55	1	27-7260	Mount - Arm Switch	8	6	1
25-2430	Dowel Pin	29	52	2	27-7290	Decal- Power Take Off	1	12	1
25-2440	Pump Valve Plate	29	51	1	27-7310	Decal - Refueling	2	36	1
25-2450	Variable Swashplate	28	48	1	27-7320	Decal - Traction Pedal	1	1	1
25-2460	Plug - Hex. Hd.	28	28	2	27-7370	Brake Assembly P.T.O.	8	25	1
25-2470	Shim Pack	28	29	2	27-7490	Pedal - L.H. Brake	10	41	1
25-2480	Valve Spring	28	44	1	27-7510	Pedal - R.H. Brake	10	42	1
25-2490	Ball	28	9	2	27-7570	Pad - Left Turn	10	38	1
25-2500	Trunion Shaft	28	43	1	27-7580	Pad - Right Turn	10	2	1
25-2510	Washer - Flat	28	25	2	27-7590	Mount - Brake	10	34	1
25-2530	Headless Straight Pin	28	39	1	27-7640	Shaft - Brake Latch	10	36	1
25-2550	Charge Pump Housing	28	34	1	27-7900	Screw - Adjusting	8	35	1
25-2560	Relief Valve Cone	28	31	2	27-8550	Pedal - Parking Brake	10	45	1
25-2570	Valve Spring	28	30	1	27-9270	Mount - Brake Pivot Shaft	10	35	1
25-2580	Trunion Shaft	28	26	1	27-9810	Seat Pivot	7	17	1
25-2610	Accel. Valve Spring	28	16	2	27-9870	Pin - Seat Switch	66	5	1
25-2620	By-Pass Valve	28	15	1	27-9870	Pin - Seat Switch	68	7	1
25-2630	Back-Up Ring	28	14	1	28-0570	Spring - Compression	66	13	1
25-2640	Valve Spring	28	8	2	28-0650	Shaft - Flanged, Axle	17	1	2
25-2650	Check Valve Plug	28	6	2	28-0660	Screw - Cap, Hex. Hd.	17	22	8
25-2680	Gerotor Assembly	28	38	1	28-0670	Seal - Oil	17	8	2
25-3180	Check Valve Kit	28	11	2	28-0680	Brake Drum	17	13	2
25-3190	Charge Pump	28	40	1	28-1280	Boot - Cable	1	19	1
25-3210	Lip Seal	28	24	2	28-5130	Pad - Pedal	10	19	1
25-8640	Screw - Machine	34	10	1	28-5160	Bracket - Pivot	10	23	1
26-1400	Pulley - Deck	52	13	1	28-5190	Pedal - Traction	10	18	1
26-1400	Pulley - Deck	55	41	1	28-5210	Shaft - Traction Pedal	10	22	1
26-1430	Caster Arm	52	34	1	28-5220	Wheel - Friction	10	25	1
26-1490	Caster Arm R.H.	52	1	1	28-5240	Pin - Traction Pedal	10	20	1
26-1530	Fork - Caster, Front	53	52	2	28-6180	Pin - Plastic	66	16	1
26-1530	Fork - Castor	55	38	2	28-6180	Pin - Plastic	68	21	1
26-1680	Spindle Center	54	33	1	28-9290	Bushing - Special	52	32	8
26-1680	Spindle Ctr.	51	47	1	28-9290	Bushing - Special	55	18	8
26-1690	Spindle - Outer	51	32	2	28-9570	Lever - Pump	26	3	1
26-1690	Spindle - Outer	54	22	2	29-5530	Blade	51	31	3
26-1760	Pulley	51	4	2	29-5530	Blade	54	23	3
26-1760	Pulley	54	4	2	29-6120	Plate - Pump	27	56	1
26-1790	Spacer - R.H. Spindle	54	38	1	29-6150	Spring - Leaf	27	55	1
26-1790	Spacer R.H. Spindle	51	46	1	29-6163	Switch - Micro	26	4	1
26-1820	Screw - Cap, Hex. Hd.	51	29	3	29-6170	Spring - Leaf, Extended	27	54	1
26-1820	Screw - Cap, Hex. Hd.	54	25	3	29-6930	Switch	7	20	1
26-1840	Idler Pulley	51	2	3	29-6930	Switch Arm	8	3	1
26-1840	Idler Pulley	54	2	3	29-8910	Washer	36	12	2
26-1850	Stud - Idler	51	12	1	30-2120	Screw - Cap, Hex. Hd.	8	22	2
26-1850	Stud - Idler	54	10	1	31-0390	Disc - Friction	11	31	1
26-1860	Spacer - Idler Pulley	51	7	2	31-0750	Roller	54	34	1
26-1860	Spacer - Idler Pulley	54	5	2	32-9610	Roller Shaft	54	35	1
26-1870	Idler Mount L.H.	51	10	1	33-2570	Radiator Assembly	5	16	1
26-1870	Idler Mount L.H.	54	8	1	33-4380	Hub - Pump	26	23	1
26-1880	Spacer - Idler Mount	51	36	1	36-1740	Roller - Deck	51	40	2
26-1880	Spacer - Idler Mount	54	29	1	36-7550	Seat Support	66	2	1
26-1890	Cover R.H. - Deck	55	3	1	37-8770	Bolt - Shoulder	34	4	1
26-1900	Cover L.H. - Deck	55	15	1	37-9550	Strap - Fuel Tank	14	7	1
26-1990	Washer - Belleville	51	30	3	37-9570	Ball Joint	66	8	1
26-1990	Washer - Belleville	54	24	3	37-9570	Ball Joint	68	10	1
26-6740	Temperature Reset Relay	3	18	1	37-9580	Prop - Seat	68	6	1
26-6750	Engine Temperature Gauge	3	15	1	37-9580	Seat Prop	66	4	1
26-9100	Pulley L.H.	51	17	1	37-9590	Spring - Compression	68	15	1
26-9100	Pulley L.H.	54	14	1	37-9650	Trim	1	27	1
27-1960	Hub - Engine	34	37	1	38-1650	Fuel Gauge	3	5	1
27-2360	Key Switch	3	10	1	38-1660	Ammeter	3	12	1
27-4570	Knob	52	25	4	38-1670	Clamp Mounting	3	2	2
27-4720	Shaft	66	1	1	38-4530	Tool Box	2	42	1

*Not Illustrated

PART NUMBER INDEX (Continued)

Part No.	Description	Pg. No.	Ref. No.	Qty.	Part No.	Description	Pg. No.	Ref. No.	Qty.
38-4550	Cover - Instruments	1	30	1	42-7710	Crankshaft	40	59	1
38-4600	Bar - Frame L.H.	5	22	1	42-7720	Pulley - Crankshaft	40	83	1
38-7820	Bearing	36	5	2	42-7730	Key - Woodruff	42	58	1
38-9200	Cutter Deck	54	17	1	42-7730	Key - Woodruff	40	62	2
38-9370	Arm - Castor - R.H.	55	47	1	42-7740	Nipple - Hose	37	11	1
38-9420	Arm - Castor L.H.	55	20	1	42-7780	Gear - Camshaft	42	57	1
39-1410	Shield - Belly	56	6	1	42-7790	Idler Gear Assembly	42	56	1
39-1440	Hook - Shield, Belly	56	7	2	42-7810	Shaft - Injection Pump Cam	42	55	1
39-1470	Hanger - Belly Shield	56	4	2	42-7820	Bearing - Ball	42	53	1
39-3330	Bar - Caster Clamp	52	28	2	42-7830	Gear - Injection Pump Cam	42	61	1
39-3330	Bar - Clamp Castor Arm	55	7	1	42-7840	Key - Sunk	42	54	1
39-3340	Bracket - Clamp	52	10	1	42-7850	Retainer - Valve Spring	39	20	6
39-3340	Bracket - Clamp	55	9	1	42-7860	Lock - Spring Retainer	39	21	12
39-7450	Bracket - Clamp	52	27	1	42-7870	Seal - Valve Stem	39	18	6
39-8020	Trim - Cover, Instruments	2	33	1	42-7880	Spring - Valve	39	19	6
41-8760	Gasket - Transmission	27	51	1	42-7890	Tappet	39	33	6
42-7110	Pin - Dowel	41	21	1	42-7900	Valve - Intake	39	16	3
42-6080	Shim	36	30	A/R	42-7910	Valve - Exhaust	39	17	3
42-6080	Shim - Axle	14	30	A/R	42-7920	Rod - Push	39	32	6
42-7030	Pin - Dowel	39	13	2	42-7930	Spring - Rocker Shaft L.H.	39	41	1
42-7030	Pin - Dowel	41	47	2	42-7940	Arm - Rocker	39	22	6
42-7040	Seal - Side	40	65	4	42-7950	Washer - Seat	39	24	2
42-7050	Guide - Oil Level Gauge	41	18	1	42-7960	Shaft Assembly - Rocker	39	40	1
42-7060	Seal - Oil	40	55	1	42-7970	Stay - Rocker	39	23	3
42-7080	Cap - Sealing	39	15	2	42-7980	Screw - Adjusting	39	30	6
42-7080	Cap - Sealing (25)	37	30	3	42-7990	Ring - Snap	39	43	2
42-7090	Cap - Sealing	41	17	2	42-8000	Pump Assy. - Fuel Injection	41	2	1
42-7090	Cap - Sealing (45)	37	36	1	42-8010	Shim - 0.2 (.008 in.)	41	15	A/R
42-7100	Bushing - Camshaft	40	79	1	42-8020	Shim - 0.3 (.012 in.)	41	*	A/R
42-7110	Shaft - Idler	39	11	1	42-8030	Shim - 0.4 (.016 in.)	41	*	A/R
42-7120	Case - Oil Seal	40	57	1	42-8040	Shim - 0.5 (.020 in.)	41	*	A/R
42-7130	Gasket - Oil Seal	40	58	1	42-8050	Shim - 0.6 (.024 in.)	41	*	A/R
42-7150	Gasket - Front Plate	39	9	1	42-8060	Shim - 0.7 (.028 in.)	41	*	A/R
42-7170	Plug - Expansion	41	51	1	42-8070	Shim - 0.8 (.032 in.)	41	*	A/R
42-7180	Bushing - Knock	41	50	2	42-8080	Shim - 0.9 (.036 in.)	41	*	A/R
42-7190	Bushing - Knock	42	72	2	42-8090	Shim - 1.0 (.039 in.)	41	*	A/R
42-7200	Bushing - Knock	42	52	1	42-8100	Collar - Union	41	4	1
42-7210	Plug - Taper	39	12	3	42-8120	Gasket - Nozzle Holder	37	35	3
42-7210	Plug - Taper	41	36	1	42-8130	Pipe Assy. - Fuel Injection	41	7	1
42-7230	Bearing Set	40	64	1	42-8140	Pipe Assy. - Fuel Injection	41	11	1
42-7240	Bearing Set - Crankshaft	40	*	1	42-8150	Pipe Assy. - Fuel Injection	41	12	1
42-7250	Bearing Set - Crankshaft	40	*	1	42-8160	Clamp	41	8	2
42-7260	Bearing Set - Crankshaft	40	*	1	42-8170	Clamp	41	13	2
42-7270	Gauge Assembly - Oil Level	41	22	1	42-8180	Fuel Return Pipe Assembly	41	33	1
42-7280	Oil Pan Assembly	38	52	1	42-8190	Joint	41	35	2
42-7290	Gasket - Oil Drain Plug (18)	37	50	1	42-8220	Holder - Delivery Valve	45	16	3
42-7300	Gasket - Oil Pan	38	53	1	42-8230	Spring - Delivery Valve	45	14	3
42-7310	Bearing - Needle	39	3	1	42-8240	Gasket - Delivery Valve	45	13	3
42-7320	Bearing - Needle	39	2	1	42-8250	Delivery Valve Sub Assy.	45	12	3
42-7330	Case - Gear	39	4	1	42-8260	Element Sub Assembly	45	11	3
42-7340	Gasket - Gear Case	39	5	1	42-8270	Sleeve - Plunger Control	45	22	3
42-7390	Seal - Oil	40	82	1	42-8280	Seat - Spring, Upper	45	23	3
42-7400	Plug - Taper	39	1	1	42-8290	Spring - Pump Plunger	45	24	3
42-7410	Plug - Taper	41	25	1	42-8300	Tappet Sub Assembly	45	27	3
42-7410	Plug - Taper 1/8	37	37	1	42-8310	Rack Assembly - Control	45	21	1
42-7420	Cap - Oil Filter	37	18	1	42-8320	Seat - Spring, Lower	45	25	3
42-7430	Pipe - Air Breather	37	16	1	42-8330	O-Ring	45	15	3
42-7440	Hanger - Engine	37	29	2	42-8340	Pin - Tappet Guide	45	19	3
42-7460	Guide - Valve	37	27	6	42-8350	Plate	45	20	1
42-7470	Gasket - Cylinder Head	38	63	1	42-8360	Plate Assembly - Adjusting	45	18	2
42-7480	Glow Plug	37	28	3	42-8370	Screw - Air Breather	45	8	1
42-7490	Seal - Oil	37	21	2	42-8380	Screw - Hollow	45	10	1
42-7500	Cover Assembly - Rocker	37	23	1	42-8390	Shim - Plate	45	26	A/R
42-7510	Pipe	37	4	2	42-8400	Shim - Plate	45	*	A/R
42-7520	Gasket - Rocker Cover	37	24	1	42-8410	Shim - Plate	45	*	A/R
42-7530	Label - Engine No.	37	22	1	42-8420	Shim - Plate	45	*	A/R
42-7540	Fitting - Water Outlet	37	15	1	42-8430	Shim - Plate	45	*	A/R
42-7550	Gasket	37	9	2	42-8440	Shim - Plate	45	*	A/R
42-7650	Connecting Rod Assembly	40	49	3	42-8450	Shim - Plate	45	*	A/R
42-7660	Bearing Set	40	60	3	42-8460	Spring Return	44	6	1
42-7670	Bearing Set	40	*	3	42-8620	Pin - Pressure	46	5	3
42-7680	Bearing Set	40	*	3	42-8630	Spring - Pressure	46	4	3
42-7690	Bearing Set	40	*	3	42-8640	Nipple	46	10	3
42-7700	Gear - Crankshaft	39	10	1	42-8650	Nut - Retaining	46	8	3

*Not Illustrated

PART NUMBER INDEX (Continued)

Part No.	Description	Pg. No.	Ref. No.	Qty.	Part No.	Description	Pg. No.	Ref. No.	Qty.
42-8660	Piece - Distance	46	6	3	42-9490	Screw - Cap (6 x 12)	38	58	4
42-8670	Flange	46	2	3	42-9500	Screw - Cap (8 x 45)	38	55	3
42-8680	Nozzle Assembly	46	7	3	42-9500	Screw - Cap, Hex. Hd.	40	87	8
42-8690	Metal - Sealing	43	1	1	42-9510	Screw - Cap (8 x 60)	38	59	1
42-8700	Wire	43	2	1	42-9520	Screw - Cap (8 x 30)	37	43	5
42-8710	Weight Assy. - Governor	43	16	1	42-9530	Screw - Cap (8 x 40)	38	66	1
42-8720	Sliding Shaft Assembly	43	13	1	42-9570	Stud (8 x 25)	37	38	5
42-8730	Governor Lever Assembly	43	20	1	42-9580	Nut	34	19	2
42-8740	Spring - Tie Rod	43	11	1	42-9580	Nut	36	20	4
42-8750	Tie Rod	43	12	1	42-9580	Nut	42	64	1
42-8760	Governor Shaft	43	22	1	42-9580	Nut (8)	37	19	3
42-8770	Lever - Governor Spring	43	8	2	42-9580	Nut - Jam	43	10	2
42-8780	Speed Control Lever Assy.	43	6	1	42-9590	Nut - Connecting Rod	40	61	6
42-8790	Cover Assembly	43	29	1	42-9600	Washer - Lock	21	9	28
42-8800	Gasket Cover	43	30	1	42-9600	Washer - Lock	34	40	3
42-8810	Pin - Grooved	43	5	2	42-9600	Washer - Lock	36	25	4
42-8810	Pin - Grooved	43	32	1	42-9600	Washer - Lock	38	65	2
42-8820	Governor Spring	43	23	1	42-9600	Washer - Lock	38	67	2
42-8830	O-Ring	43	7	2	42-9600	Washer - Lock M10	20	59	24
42-8850	Oil Pump Assembly	42	*	1	42-9600	Washer - Spring	39	25	3
42-8860	Plunger - Relief	41	40	1	42-9620	Nut - Jam	39	29	6
42-8870	Plug	41	38	1	42-9640	Nut - Jam	43	36	1
42-8880	Gasket	41	37	1	42-9660	Washer - Flat	41	23	6
42-8900	Body - Oil Pump	41	48	1	42-9660	Washer - Plain (8)	38	54	4
42-8910	Rotor Assembly - Oil Pump	41	45	1	42-9670	Washer	46	9	3
42-8920	Cover - Oil Pump	41	44	1	42-9680	Washer	46	3	A/R
42-8930	Spring - Relief	41	39	1	42-9690	Washer	46	*	A/R
42-8940	O-Ring	41	46	1	42-9700	Washer	46	*	A/R
42-8950	Gasket - Oil Pump Body	41	49	1	42-9710	Washer	46	*	A/R
42-8960	Driven Unit - Speedometer	40	*	1	42-9720	Washer	46	*	A/R
42-8970	Pin - Spring	39	35	1	42-9730	Washer	46	*3	A/R
42-8980	Sleeve - Gear	39	36	1	42-9740	Washer	46	*	A/R
42-8990	O-Ring	39	37	1	42-9750	Washer	46	*	A/R
42-9010	O-Ring	39	34	1	42-9770	Washer	45	9	1
42-9020	Plate - Locking	40	63	1	42-9790	Washer - Head Bolt	37	32	8
42-9030	Filter Assembly - Oil	41	42	1	42-9800	Washer	37	20	2
42-9060	Oil Pressure Switch Assy.	41	41	1	42-9810	Washer - Flat	40	86	1
42-9070	Pulley - Water Pump	38	56	1	42-9820	Washer	42	73	1
42-9080	Water Pump Assembly	38	60	1	42-9830	Washer - Seal	41	3	2
42-9090	Gasket - Water Pump	38	61	1	42-9850	Washer - Lock	37	2	24
42-9100	Belt Fan	34	21	1	42-9850	Washer - Lock	39	7	11
42-9110	Gasket	37	41	1	42-9850	Washer - Lock	41	31	7
42-9120	Intake Manifold Assembly	37	6	1	42-9850	Washer - Lock	43	9	2
42-9140	Gasket - Intake Manifold	37	7	1	42-9850	Washer - Lock M8	20	51	4
42-9150	Pipe Inlet	37	3	1	42-9850	Washer - Lock, M8	21	29	28
42-9160	Gasket - Inlet Pipe	37	5	1	42-9860	Washer - Spring	40	85	1
42-9170	Gasket - Exhaust Manifold	37	39	1	43-0080	Nut - Set	47	10	1
42-9180	Wire - Glow Plug Lead	37	26	2	43-0090	Screw - Cap (10 x 25)	37	48	2
42-9190	Glow Lamp	3	14	1	43-0110	Screw - Cap, Hex. Hd.	41	14	4
42-9200	Complete Gasket Set	38	*	1	43-0120	Screw - Set	47	3	1
42-9210	Bolt - Bearing Cap	40	67	8	43-0130	Screw - Set	47	19	1
42-9220	Screw - Cap, Hex. Hd.	40	56	6	43-0190	Spring Set	48	4	1
42-9230	Screw - Cap (8 x 16)	37	51	15	43-0370	Shim	42	65	AIR
42-9230	Screw - Cap, Hex. Hd.	36	34	1	43-0380	Spacer	42	66	1
42-9230	Screw - Cap, Hex. Hd.	40	81	3	43-0390	Alternator	42	67	1
42-9230	Screw - Cap, Hex. Hd.	41	32	2	43-0400	Brace - Alternator	42	71	1
42-9240	Screw - Cap (12 x 28)	37	44	3	43-0410	Regulator Assembly	3	25	1
42-9250	Screw - Cap, Hex. Hd.	39	14	4	43-0420	Pulley Assembly	47	2	1
42-9260	Plug - Oil Drain	37	49	1	43-0430	Bracket Assembly Front	47	4	1
42-9300	Screw - Cap (10 x 20)	38	64	2	43-0440	Bearing - Front	47	5	1
42-9310	Screw - Cp, Hex. Hd.	37	1	4	43-0450	Rotor Assembly	47	7	1
42-9320	Bolt - Cylinder Head	37	31	8	43-0460	Bearing - Rear	47	8	1
42-9330	Bolt - Cylinder Head	37	25	3	43-0470	Stator	47	9	1
42-9350	Screw - Cap, Hex. Hd.	39	27	2	43-0480	Rear Bracket Assembly	47	14	1
42-9360	Bolt	39	26	2	43-0490	Holder Assembly Brush	47	11	1
42-9370	Screw - Cap, Hex. Hd.	39	42	1	43-0500	Brush	47	12	2
42-9390	Bolt (8 x 32)	37	33	6	43-0510	Spring - Brush	47	15	1
42-9400	Screw - Cap, Hex. Hd.	43	28	3	43-0520	Rectifier Assembly	47	13	1
42-9420	Bolt - High Speed Set	43	3	1	43-1440	Engine	34	13	1
42-9430	Screw - Cap, Hex. Hd.	43	14	3	43-1710	Valve Assembly	30	13	1
42-9440	Screw - Cap, Hex. Hd.	39	39	1	43-1730	Body	33	7	1
42-9450	Bolt/Washer - Assembled	43	21	1	43-1770	Plate - Rear	37	46	1
42-9470	Bolt - Connecting Rod	40	50	6	43-1780	Thermostat	37	14	1
42-9480	Screw - Cap, Hex. Hd.	41	43	4	43-1790	Fitting - Thermostat	37	10	1

*Not Illustrated

PART NUMBER INDEX (Continued)

Part No.	Description	Pg. No.	Ref. No.	Qty.	Part No.	Description	Pg. No.	Ref. No.	Qty.
43-1800	Flywheel	40	53	1	43-3980	Decal - Panel, Instrument	3	46	1
43-1810	Gear - Ring	40	54	1	43-3990	Throttle Control	3	23	1
43-1870	Manifold - Exhaust	37	42	1	43-4000	Circuit Breaker	3	21	1
43-1880	Control Unit Assembly	3	27	1	43-4010	Wire Assembly	4	4	2
43-1890	Screw	47	18	1	43-4040	Wire Assembly	4	3	1
43-1900	Screw - Cap, Hex. Hd.	42	68	1	43-4150	Fuel Tank	14	4	1
43-1910	Fan - Cooling	36	1	1	43-4160	Fitting - Return & Vent	14	13	1
43-1920	Nut Set	47	1	1	43-4190	Fitting Assembly	14	28	1
43-1940	Adapter - Temp. Gauge	34	11	1	43-4230	Hose	35	56	1
43-2550	Filter	6	15	1	43-4230	Hose - Return	14	15	1
43-2560	Gasket	6	16	1	43-4290	Decal - Instructions, Start.	1	31	1
43-2570	Gasket	6	14	1	43-4300	Trim - Frame, Rear	2	35	2
43-2580	Magnet	6	17	1	43-5500	Pivot P.T.O.	8	31	1
43-2600	Capscrew	41	10	2	43-5540	Shaft P.T.O.	8	43	1
43-2690	Shoe & Lining Assembly	17	9	4	43-5550	Shaft - Actuator P.T.O.	8	32	1
43-2710	O-Ring	41	19	1	43-5570	Arm, Actuator - P.T.O.	8	38	1
43-2720	Mold	47	16	1	43-5590	Arm - P.T.O.	8	30	1
43-2730	Solenoid - Tubular	43	17	1	43-5610	Fork P.T.O.	8	24	1
43-2740	Gasket	43	19	1	43-5630	Yoke - P.T.O.	8	51	1
43-2750	Nut	43	18	1	43-5690	Hose - Vent, Fuel Tank	14	16	1
43-2770	Lever - Stop	43	35	1	43-5910	V-Belt	36	11	1
43-2800	Screw - Cap, Hex. Hd.	43	24	1	43-5920	Washer - Lock	42	63	1
43-2820	Sealing Cap	43	25	1	43-5920	Washer - Lock	47	17	1
43-2830	Nut	43	4	1	43-5930	Washer - Lock	21	14	12
43-2900	Retainer - Oil Level Guide	41	20	1	43-5930	Washer - Lock	38	57	4
43-2910	Plate - Ungleich Set	44	3	A/R	43-5930	Washer - Lock	39	28	2
43-2920	Plate - Ungleich Set	44	*	A/R	43-5930	Washer - Lock	43	15	7
43-2930	Plate - Ungleich Set	44	*	A/R	43-5950	Washer - Lock	34	26	4
43-2940	Plate - Ungleich Set	44	*	A/R	43-5960	Nut - Special	43	26	1
43-2950	Plate - Ungleich Set	44	*	A/R	43-5970	Nut	42	62	1
43-3000	Plate - Smoke Set	44	7	A/R	43-6240	Shim - Plate	45	*	A/R
43-3010	Plate - Smoke Set	44	*	A/R	43-6470	Nut	40	84	1
43-3020	Plate - Smoke Set	44	*	A/R	43-6710	Shim .003 - Diff. Adjust.	15	15	A/R
43-3030	Plate - Smoke Set	44	*	A/R	43-6711	Shim .005 - Diff. Adjust.	15	16	A/R
43-3040	Plate - Smoke Set	44	*	A/R	43-6712	Shim .010 - Diff. Adjust.	15	17	A/R
43-3050	Plate - Smoke Set	44	*	A/R	43-6713	Shim .030 - Diff. Adjust.	15	18	A/R
43-3060	Plate - Smoke Set	44	*	A/R	43-6750	Cup - Bearing, Tapered	15	10	1
43-3070	Plate - Smoke Set	44	*	A/R	43-6760	Cone - Bearing, Tapered	15	9	1
43-3080	Plate - Smoke Set	44	*	A/R	43-6800	Nut - Lock	17	18	8
43-3090	Plate - Smoke Set	44	*	A/R	43-6810	Torque - Spider	17	6	2
43-3100	E-Ring	44	1	1	43-6840	Housing - Lower	16	36	1
43-3110	Spring - Ungleich Set	44	2	1	43-7020	Hose - Lower, Radiator	5	19	1
43-3120	Washer - Seal	43	27	1	43-8480	Decal - Danger	51	25	2
43-3130	Hose - Water	37	13	1	43-8480	Decal - Danger	54	18	2
43-3140	Clamp - Hose	37	12	2	44-2210	Warning Light	3	8	1
43-3150	Bolt/Washer - Assembled	45	17	2	44-2220	Wire Lead	3	6	1
43-3160	Screw - Adjusting	43	33	1	44-2230	Coupling - Rubber	26	26	4
43-3190	Screw - Cap, Hex. Hd.	34	41	3	44-8070	Nozzle & Holder Assembly	37	34	3
43-3200	Screw - Cap, Hex. Hd.	36	24	4	44-8080	Body	46	1	3
43-3210	Screw - Cap, Hex. Hd.	34	28	4	44-8090	Lever Assembly Stop	43	31	1
43-3220	Screw - Cap, Hex. Hd.	34	46	2	44-8100	Spring Return	43	34	1
43-3320	Foam - Radiator	5	20	2	46-1600	Spacer	56	2	2
43-3330	Radiator Shroud	5	14	1	46-7540	Lever Assembly	48	3	1
43-3340	Grille - Sealing Plate	5	32	1	46-7610	Starter Assembly	37	47	1
43-3350	Hose - Upper, Radiator	5	12	1	46-7620	Screw - Set	48	1	1
43-3510	Pulley - Engine	34	27	1	46-7630	Bracket Assembly - Front	48	2	1
43-3530	Pulley Flywheel	36	26	1	46-7650	Bracket Assembly - Center	48	5	1
43-3690	Fan - Shaft	36	2	1	46-7660	Switch Assembly	48	6	1
43-3700	Hub-Fan	36	4	1	46-7670	Armature Set	48	8	1
43-3720	Collar - Bearing	34	32	1	46-7680	Bearing - Front	48	7	1
43-3730	Bracket Throttle Control	34	52	1	46-7690	Bearing - Rear	48	9	1
43-3760	Lever - Throttle	35	54	1	46-7700	Bolt Set	48	15	1
43-3770	Link - Throttle	34	1	1	46-7710	Shaft Assembly - Clutch	48	*	1
43-3780	Swivel - Throttle Control	34	9	1	46-7720	Pinion Set	48	19	1
43-3790	Bracket - Belt Guide	34	48	1	46-7730	Snap Ring	48	20	1
43-3800	Bushing - P.T.O. Fork	8	23	2	46-7740	Gear Set	48	*	1
43-3810	Tube - Air Cleaner	49	18	1	46-7750	Shaft Assembly Pinion	48	18	1
43-3820	Spacer	3	34	1	46-7760	Gear	48	17	1
43-3850	Muffler	36	17	1	46-7770	Cover Set	48	16	1
43-3860	Shaft - Pivot P.T.O.	8	9	1	46-7780	Yoke Assembly	48	11	1
43-3870	Support - Muffler	36	8	1	46-7790	Brush Holder Assembly	48	13	1
43-3880	Pulley	36	10	1	46-8030	Spring - Brush	48	12	4
43-3900	Guard - Fan Belt	7	5	1	46-8040	Bracket - Rear	48	14	1
43-3970	Panel - Instrument	3	16	1	46-8050	Packing	48	10	1

*Not Illustrated

PART NUMBER INDEX (Continued)

Part No.	Description	Pg. Ref.		Part No.	Description	Pg. Ref.				
		No.	Qty.			No.	Qty.			
46-8400	Bearing - Needle	29	53	2	61-3610	Warning Decal	50	12	3	
46-8410	Motor Shaft	29	58	1	61-4960	Seal Repair Kit	31	*	1	
46-8810	Stop - Leaf, Spring	26	6	1	61-4980	Shaft - w/Clevis	31	1	1	
46-8840	Spring - Lift Arm	50	14	1	61-4990	Ring - Retaining	31	4	1	
47-7420	Hose	35	55	1	62-3290	Shaft - Slip Yoke	9	60	1	
48-1800	Cylinder Block Kit	28	5	2	62-3310	Screw - Cap, Sems	57	15	8	
48-1980	Gasket	40	78	1	62-3330	Cone - Gear	57	12	1	
48-1990	Nut - Jam	40	77	1	62-3340	Cup - Bearing	57	14	2	
48-2010	Screen - Assembly Oil	40	76	1	62-3360	Cup - Bearing	57	3	2	
48-2020	Cylinder Block Sub Assy.	38	62	1	62-3370	Cone - Bearing	57	9	2	
48-7710	Screw - Cap, M8 x 20	21	39	4	62-3380	Key	57	8	2	
48-7730	Bolt - M8 x 30	20	52	2	62-3400	Seal	57	13	2	
48-7780	Screw - Cap, Hex. Hd.	18	16	8	62-3410	Cap	57	16	2	
48-7960	Nut	18	27	2	62-3420	Gasket (.015 in.)	57	4	A/R	
48-9220	Washer - Flat	18	17	8	62-3430	Gasket (.005 in.)	57	5	A/R	
48-9460	Screw - Cap, M8 x 25	21	28	20	62-3440	Gasket (.003 in.)	57	6	A/R	
48-9470	Bolt - M10 x 30	20	60	24	62-3490	Plug - Pipe (Solid)	57	2	4	
48-9470	Screw - Cap, M10 x 30	21	10	4	62-3730	Screw - Cap, w/Washer	39	8	2	
49-2280	Decal - Fuel, Diesel	2	34	1	62-3740	Plate - Front	39	6	1	
49-7990	Cap - Shipping	39	31	1	62-3790	Tube - Slip Yoke	9	62	1	
49-8320	Bearing & Spacer Assy.	51	19	3	62-3800	Yoke - End	9	57	1	
49-8320	Bearing & Spacer Assy.	54	16	3	62-3820	Fitting - Grease	9	59	2	
51-0790	Adjuster L.H.	65	10	1	62-4250	Cylinder - Hydraulic	30	21	1	
51-1470	Deflector	51	26	1	62-4260	Drive Shaft Assembly	8	44	1	
51-1530	Hinge Bracket	51	21	2	62-4290	O-Ring	29	54	2	
51-1550	Spring	51	27	2	62-4330	Wheel - Castor - Front	55	36	2	
52-4880	Adjuster - R.H.	65	11	1	62-4340	Spanner - Front	53	51	2	
52-4890	Rod Connecting	65	6	1	62-4340	Spanner - Front	55	37	2	
53-4430	Decal - Oil	14	42	1	62-4480	Rod - Roller	51	43	2	
53-8150	Pump Assy. Fuel, Electric	6	13	1	62-5580	Bushing	52	39	8	
53-9480	Washer	34	39	2	62-5580	Bushing	55	25	8	
53-9480	Washer	36	28	2	62-6840	Sender - Fuel Level	14	12	1	
53-9660	V-Belt Torque Team	8	12	1	62-6940	Cap	43	37	1	
53-9680	Engine Mount - Rubber	34	23	2	62-7650	Gasket	14	8	1	
53-9680	Engine Mount - Rubber	36	29	2	63-0070	Spacer - 1/2	52	31	24	
53-9710	Engine Mount	34	22	2	63-0070	Spacer 1/2"	55	17	24	
53-9750	Fan Mount	36	6	1	63-1400	Belt Guide	35	58	1	
54-7890	Pump Housing	28	22	1	63-1770	Spanner - Rear	52	40	2	
54-8650	Screw - Cap, Flange Hd.	42	70	1	63-1770	Spanner - Rear	55	26	2	
54-8660	Washer	42	69	1	63-1970	Shroud - Universal	52	15	1	
54-8670	Bolt - Flywheel	40	52	5	63-1970	Shroud - Universal	55	13	1	
54-8680	Shim - Plate	45	*	A/R	63-4360	Bolt - M8 x 40	20	56	2	
54-8690	Shim - Plate	45	*	A/R	63-7590	Relay	3	42	1	
54-8700	Plate - Smoke Set	44	*	A/R	63-8280	Head Assembly	6	5	1	
54-8710	Plate - Smoke Set	44	*	A/R	63-8290	Vent	6	3	1	
54-8730	Plate - Smoke Set	44	*	A/R	63-8300	Element - Fuel Filter	6	10	1	
54-8740	Plate - Smoke Set	44	*	A/R	63-8310	Drain Valve	6	11	1	
54-8750	Plate - Smoke Set	44	*	A/R	63-8360	Key	3	11	1	
54-8760	Plate - Smoke Set	44	*	A/R	63-8400	Wheel - Caster Rear	52	42	2	
54-8770	Plate - Smoke Set	44	*	A/R	63-8400	Wheel - Castor - Rear	55	28	2	
54-8780	E-Ring	44	5	1	63-8410	Washer	52	8	4	
54-8890	Bolt - Wheel	60	2	4	63-8410	Washer	55	5	4	
54-8900	Wheel Half - Male	60	7	1	63-8580	Bearing - Roller	52	43	2	
54-8910	Wheel Half - Female	60	5	1	63-8580	Bearing - Roller	55	29	2	
54-8920	Hub - Centered	60	4	1	63-8960	Hose Assembly	5	30	1	
54-8930	Retainer	60	1	2	63-8970	Hose - Trans. to Steering	11	14	1	
54-8940	Bearing - Roller	60	10	1	63-8980	Hose - Aux. to Valve	11	22	1	
54-8950	Tube w/Valve	60	12	1	63-8990	Hose	11	23	1	
54-8960	Tire	60	6	1	63-8990	Hose	30	15	1	
54-9040	Yoke - End (Split)	9	63	1	63-9010	Hose Assembly	5	24	1	
54-9180	Kit - Joint, Universal	69	3	1	63-9250	Valve - Steering, Power	11	25	1	
54-9180	Kit - U-Joint	9	58	2	63-9260	Manifold - Valve	30	17	1	
54-9180	Kit - Universal Joint	22	2	1	63-9640	Hose - Fuel	14	27	1	
54-9240	Bracket	26	37	2	63-9650	Hose	6	20	1	
55-3572	Fuel Cap	14	18	1	63-9720	Hose	6	7	1	
55-7080	Bushing - Spanner	60	11	1	63-9750	Mount - Isolation	53	57	4	
56-0960	Plate - Smoke Set	44	*	7	A/R	63-9750	Mount - Isolation	55	44	4
56-2460	Washer - Flat	18	41	A/R	65-2970	Line - Gas	30	22	1	
57-0280	Decal - 72"	51	44	1	66-1250	Cylinder - Hydraulic	30	*	1	
57-0280	Decal - 72"	54	37	1	66-1260	Bracket - Knob	52	44	2	
60-9760	Nut	31	12	1	66-1340	Decal - Danger	51	20	2	
60-9760	Nut - Hex	32	7	1	66-1340	Decal - Danger	54	28	2	
60-9770	Piston	31	11	1	66-3240	Radiator Cap Assy.	5	4	1	
60-9780	Head	31	5	1	66-5310	Idler Pulley	36	18	1	

* Not Illustrated

PART NUMBER INDEX (Continued)

Part No.	Description	Pg. No.	Ref. No.	Qty.	Part No.	Description	Pg. No.	Ref. No.	Qty.
66-5320	Spacer	36	19	1	68-6930	Arm - L.H., Steering	18	18	1
66-5400	Seat Assembly	65	*	1	68-6950	Cross Member W.A.	23	26	1
66-5400	Seat Assembly	67	*	1	68-6990	Stop - Oscillation	18	15	2
66-6140	Decal	64	2	1	68-7010	Flange	15	22	1
66-6140	Decal - Toro	5	7	1	68-7030	Housing	57	1	1
66-6310	Washer - Cup	52	14	2	68-7040	Shaft	57	17	1
66-6370	Lift Arm	50	1	1	68-7050	Shaft	57	19	1
66-6380	Decal - Deflector Missing	51	24	1	68-7060	Gear	57	18	1
66-6390	Decal - Caution	1	5	1	68-7070	Ring - Retaining	57	7	2
66-6480	Washer - Flat	52	3	4	68-7080	Gear	57	10	1
66-6480	Washer - Flat	55	2	4	68-7280	Decal - Blade Bolt Torque	51	23	1
66-7030	Screw - Cap, w/Washer	36	32	2	68-7280	Decal - Blade Bolt Torque	54	19	1
66-7150	Push Arm R.H.	50	9	1	68-8560	Bracket - Gear Box	53	58	2
66-8510	Adjuster w/Handle	67	14	1	68-8560	Bracket - Gearbox	55	45	2
66-8520	Bumper - Stop	67	15	2	68-8610	Fender - Extension	2	45	1
66-8530	Adjuster	67	18	1	68-8660	Elbow - Fitting	26	39	1
66-8540	Hanger - Spring	67	16	1	68-8990	Head - Filter	26	42	1
66-8560	Nut - Push	67	1	4	68-9110	Shim	36	37	A/R
66-8600	Frame - Upper	67	22	1	68-9111	Shim	36	*	A/R
66-8610	Frame - Lower	67	12	1	68-9112	Shim	36	*	A/R
66-9290	Spacer - Suspension	67	19	4	68-9160	Bracket	5	27	1
66-9760	Nut - Hex.	11	2	1	68-9650	Hose - Axle	26	46	1
66-9770	Seal	12	28	1	68-9710	Hose Assembly - Steering	23	22	1
66-9780	Bushing	12	29	1	68-9720	Hose - Cylinder to Steering	11	19	1
66-9850	Bolt - Special	12	36	4	68-9730	Hose - Steering to Cylinder	11	18	1
66-9860	Upper Cover & Jacket	12	37	1	68-9760	Fuel Tank Base	14	2	1
66-9870	Plate - Retaining	12	38	1	68-9890	Cover - Gear Box - Front	55	43	1
66-9880	Washer - Retaining Plate	12	39	1	68-9890	Cover - Gear Box, Front	53	56	1
66-9890	Ring - Retaining	12	40	1	70-1180	Cable - Battery, Positive	1	20	1
66-9900	Shaft - Input	12	41	1	70-1190	Cable - Ground	3	43	1
66-9970	Spring Kit	12	*	1	70-1190	Ground Cable	4	5	1
66-9980	Seal Kit	12	*	1	70-1230	Wire Harness Assembly	4	2	1
66-9990	Needle Roller Kit	12	*	1	70-1380	Sleeve - Protective	11	17	1
67-1700	Decal - Starting Fluid	49	19	1	70-1390	Sleeve - Protective	11	15	1
67-1710	Decal - Caution	1	28	1	70-1390	Sleeve - Protective	23	33	1
67-1720	Decal - Torque	2	44	2	70-2200	Decal - Toro	1	2	1
67-1750	Bushing	18	13	2	70-2560	Decal - Lube	18	26	1
67-5360	Decal - Danger	51	3	2	70-2560	Decal - Lube	52	9	1
67-5360	Decal - Shield Missing	54	3	2	70-2560	Decal - Lube	55	6	1
67-5450	Piston	32	6	1	70-2620	Elbow - Fitting	26	48	1
67-5460	Head	32	5	1	71-3580	Hose - (Valve to Cylinder)	30	19	1
67-5470	Ring - Retaining	32	4	1	71-4330	Seal	15	23	1
67-5480	Shaft	32	2	1	71-4340	Washer	15	21	1
67-5500	Repair Kit	32	3	1	71-4350	Nut	15	20	1
67-8050	Bearing - Needle	28	35	1	71-4370	Transmission - Inline	26	50	1
67-8060	Lip Seal	28	36	1	71-4390	Front Axle Assembly	14	35	1
67-8110	Filter - Oil	26	41	1	71-4400	Coupling - Drive	26	27	1
67-8130	Support - W.A.	23	9	1	71-4410	Spacer - Coupling, Rubber	26	31	2
67-8170	Pin W.A. - Axle, Rear	23	7	1	71-4411	Spacer - Coupling, Rubber	26	29	6
67-8190	Bracket - Engine Support	7	12	2	71-4430	Hose Assembly - Steering	23	21	1
67-8690	Support - Column	11	7	1	71-4450	Bolt - Wheel	18	23	10
67-8810	Bracket, L.H.	7	10	1	71-4490	Bracket - Seat Support	68	16	1
67-8820	Bracket, R.H.	7	4	1	71-4490	Seat Support Bracket	66	15	1
67-8960	Weight - Rear	23	11	1	71-4530	Tie Rod Assembly	18	*	1
67-9030	Grille	5	36	1	71-4540	Washer - Thrust	18	14	1
67-9080	Housing - Motor	28	4	1	71-4540	Washer - Thrust	23	15	2
67-9090	Plug	28	42	1	71-4550	Driveshaft (Complete)	22	*	1
67-9100	Gasket	28	10	1	71-4570	Housing - Clutch,	18	33	1
67-9210	Spacer	68	3	1	71-4580	Clutch - Roller	18	31	2
67-9800	Bumper	50	37	1	71-4590	Washer - Thrust	18	30	2
67-9860	Support - Seat	68	2	1	71-4610	Handle W.A.	25	2	1
68-5140	Cap - Wheel, Steering	11	46	1	71-4630	Mount - Cable	25	15	1
68-5370	Decal - Toro	11	1	1	71-4640	Bracket - Lever, Shaft	25	4	1
68-6710	Roller - Deck	51	42	1	71-4650	Lever W.A.	25	6	1
68-6740	Bottom Rear Shield	59	*	1	71-4680	Cable Assembly	25	16	1
68-6810	Gear Box Assembly	55	11	1	71-4690	Screw - Cap, Hex. Hd.	18	28	2
68-6810	Gear Case Assembly	52	11	1	71-4740	Rod End	18	20	2
68-6820	Axle - Drive, Steerable	18	1	1	71-4750	Tube & Clamp Assembly	18	12	1
68-6840	Shaft - Roller	51	41	1	71-4760	Seal - Rod	18	8	3
68-6860	Cylinder - Hyd. Steering	23	32	1	71-4850	Cover - Guard, Flywheel	23	16	1
68-6870	Rod End	18	7	1	71-4860	Decal - 4 WD Control	1	29	1
68-6880	Bracket - Clutch, Cable	18	40	1	72-3410	Yoke - Flange	22	1	1
68-6890	Clevis	25	13	1	72-3420	Shaft - Yoke, Slip	22	3	1
68-6910	Arm - R.H., Steering	18	2	1	72-3430	Tube - Yoke, Slip	22	5	1

*Not Illustrated

PART NUMBER INDEX (Continued)

Part No.	Description	Pg. No.	Ref. No.	Qty.	Part No.	Description	Pg. No.	Ref. No.	Qty.
72-3440	Yoke - Shaft	22	6	1	72-5040	Washer - Gear, Diff.	19	11	1
72-3450	Yoke - Flange, Split	69	6	1	72-5050	Tube - Axle, R.H.	19	16	1
72-3460	Tube - Yoke, Half-Slip	69	4	1	72-5060	Axle - R.H.	19	17	1
72-3480	Kit - Seal	24	*	1	72-5070	Gasket	19	15	2
72-3490	Nut	24	10	1	72-5080	Gasket	19	14	2
72-3500	Piston	24	9	1	72-5090	Bear - Bevel	19	21	2
72-3510	Barrel Assembly	24	11	1	72-5090	Gear - Bevel	21	18	2
72-3520	Head - Internal	24	4	1	72-5100	Spacer	19	20	2
72-3520	Rod	24	1	1	72-5110	Tube - Axle, L.H.	20	61	1
72-3540	Valve - Relief Adj.	26	*	1	72-5120	Axle - L.H.	20	58	1
72-3550	Tube Assembly	26	20	1	72-5130	Vent	19	23	1
72-3560	Decal - 4 WD	2	43	2	72-5140	O-Ring	19	25	1
72-3570	Shim .094 - Diff. Adjust.	15	24	A/R	72-5150	Plug	19	26	1
72-3571	Shim .096 - Diff. Adjust.	15	*	A/R	72-5160	Shim .1mm	19	29	1
72-3572	Shim .098 - Diff. Adjust.	15	*	A/R	72-5170	Shim .15 mm	19	*	1
72-3573	Shim .100 - Diff. Adjust.	15	*	A/R	72-5180	Shim .5 mm	19	*	1
72-3574	Shim .102 - Diff. Adjust.	15	*	A/R	72-5190	Shim .8 mm	19	*	1
72-3575	Shim .104 - Diff. Adjust.	15	*	A/R	72-5200	Shim 1.0 mm	19	*	1
72-3576	Shim .106 - Diff. Adjust.	15	*	A/R	72-5210	Shim 1.2 mm	19	*	1
72-3577	Shim .108 - Diff. Adjust.	15	*	A/R	72-5250	Washer	19	33	1
72-3578	Shim .110 - Diff. Adjust.	15	*	A/R	72-5260	Nut	19	34	1
72-3580	Shim .112 - Diff. Adjust.	15	*	A/R	72-5270	Case	19	38	1
72-3581	Shim .114 - Diff. Adjust.	15	*	A/R	72-5280	Clutch - Outer	19	35	1
72-3582	Shim .116 - Diff. Adjust.	15	*	A/R	72-5290	Gasket	20	39	1
72-3583	Shim .118 - Diff. Adjust.	15	*	A/R	72-5300	Cover - Clutch	20	53	1
72-3584	Shim .120 - Diff. Adjust.	15	*	A/R	72-5310	Clutch - Inner	20	46	1
72-3585	Shim .125 - Diff. Adjust.	15	*	A/R	72-5320	Fork - Clutch	20	42	1
72-3586	Shim .127 - Diff. Adjust.	15	*	A/R	72-5330	Rod - Clutch	20	41	1
72-3587	Shim .129 - Diff. Adjust.	15	*	A/R	72-5340	Shaft - Input	20	50	1
72-3588	Shim .131 - Diff. Adjust.	15	*	A/R	72-5350	Spring	20	44	1
72-3590	Shim .133 - Diff. Adjust.	15	*	A/R	72-5360	Ring - Retaining	19	19	2
72-3591	Shim .135 - Diff. Adjust.	15	*	A/R	72-5370	Ring - Retaining	19	22	2
72-3592	Shim .137 - Diff. Adjust.	15	*	A/R	72-5380	Ring - Retaining	19	36	1
72-3593	Shim .139 - Diff. Adjust.	15	*	A/R	72-5390	Ring - Retaining	20	48	2
72-3594	Shim .141 - Diff. Adjust.	15	*	A/R	72-5440	Pin -Spring	20	64	1
72-3595	Shim .143 - Diff. Adjust.	15	*	A/R	72-5450	Pin - Spring	20	43	1
72-3596	Shim .145 - Diff. Adjust.	15	*	A/R	72-5460	O-Ring	19	37	1
72-3597	Shim .147 - Diff. Adjust.	15	*	A/R	72-5470	Ball - Steel	20	45	1
72-3598	Shim .149 - Diff. Adjust.	15	*	A/R	72-5480	Dowel	20	57	2
72-3600	Shim .151 - Diff. Adjust.	15	*	A/R	72-5490	Seal - Oil	20	55	1
72-3610	Assembly - Carrier	15	28	1	72-5500	Seal - Oil	20	54	1
72-3620	Gear & Pinion Assembly	16	*	1	72-5510	Gear Box - Axle	21	23	2
72-3690	Fender	1	10	2	72-5520	Case - Knuckle	21	38	2
72-3700	Decal - Caution	2	50	2	72-5540	Case - Knuckle	21	30	2
72-3710	Body - Valve, Relief	26	17	1	72-5550	Cover	21	26	2
72-3720	Cartridge - Valve, Relief	26	18	1	72-5560	Pin - King, Knuckle	21	20	2
72-3730	Seal Kit (Relief Valve)	26	*	1	72-5570	Shaft - Axle, Outer	21	35	2
72-3750	Bearing - Ball	28	2	1	72-5580	Gear - Bevel	21	5	4
72-4200	Ring - Set - Piston Std.	39	44	3	72-5590	Retainer - Bearing	21	15	2
72-4210	Ring Set - Piston	39	45	3	72-5600	Washer - Thrust	21	21	2
72-4220	Ring Set - Piston	39	46	3	72-5620	Gasket	21	1	4
72-4230	Ring Set - Piston	39	47	3	72-5630	Gasket	21	16	2
72-4240	Piston & Piston Pin Std.	39	48	3	72-5640	Bearing - Needle	21	22	2
72-4250	Piston & Piston Pin	39	*	3	72-5650	Hub - Wheel	21	34	2
72-4260	Piston & Piston Pin	39	*	3	72-5660	Washer - Shaft, Wheel	21	33	2
72-4270	Piston & Piston Pin	39	*	3	72-5670	Pin - Dowel	21	7	4
72-4280	Camshaft	42	59	1	72-5680	Spacer	21	19	2
72-4290	Head Assembly - Cylinder	37	8	1	72-5720	Ring - Retaining	21	4	2
72-4870	Case - Differential	19	24	1	72-5730	Seal - Oil	21	24	4
72-4880	Cover	19	2	1	72-5740	Seal - Oil	21	2	2
72-4890	O-Ring	19	3	1	72-5770	Nut - Castell	21	32	2
72-4900	Case - Differential	19	8	1	72-5780	Key	21	36	2
72-4910	Flange - Case, Diff.	19	12	1	72-5790	Screw - Cap, M6 x 18	21	13	12
72-4930	Gear - Side, Differential	19	9	1	72-5800	Bolt	19	1	8
72-4940	Gear - Side, Differential	20	47	1	72-5810	Bolt	19	7	8
72-4950	Gear - Pinion, Differential	19	10	2	72-5820	Plug	19	28	1
72-4960	Shim .1 mm	19	5	1	72-5830	Bolt - Socket Hd.	20	40	4
72-4970	Shim .15 mm	19	*	1	72-5840	Gasket	19	27	1
72-4980	Shim .5 mm	19	*	1	72-9370	Shim (.020 in.)	57	11	4
72-4990	Shim .8 mm	19	*	1	72-9420	Vent Assembly	16	41	1
72-5000	Shim 1.0 mm	19	*	1	74-0720	Tube - Manual	7	2	1
72-5010	Shim 1.2 mm	19	*	1	75-0560	Wheel - Steering	11	3	1
72-5020	Shaft - Pinion	20	62	1	75-0810	Decal - Caution	2	51	2
72-5030	Pin - Dowel	20	63	2	75-9560	Pump Shaft	28	20	1

*Not Illustrated

PART NUMBER INDEX (Continued)

Part No.	Description	Pg. Ref.			Part No.	Description	Pg. Ref.		
		No.	No.	Qty.			No.	No.	Qty.
75-9680	Fork - Caster, Rear	52	36	2	237-42	O-Ring	30	31	2
75-9680	Fork - Castor, Rear	55	22	2	237-42	O-Ring	33	2	2
75-9900	Engine Support - Front	34	29	1	237-78	O-Ring	23	30	2
76-1900	O-Ring	28	18	2	237-78	O-Ring	26	16	2
76-1910	Shaft - Pivot	67	2	2	237-78	O-Ring	30	32	2
76-1920	Bearing - Sleeve	67	13	4	237-80	O-Ring	26	38	1
76-1930	Knob - Adjustment	67	20	1	237-80	O-Ring	28	33	1
76-1940	Spring - Extension	67	23	2	237-81	O-Ring	26	40	3
76-2940	Bumper	67	8	2	237-86	O-Ring	28	7	4
76-4690	Coupling - Axle	18	37	1	237-95	O-Ring	28	41	1
77-2970	Ring & Pinion Assembly	20	*	1	242-34	Stud - Flanged, Axle	17	11	10
77-2980	Arm - Knuckle	21	8	2	249-21	Clamp - Hook	1	14	3
77-3100	Decal -Warning	5	11	3	249-39	Flexible Draw Latch	5	18	1
77-3120	Bracket - Mount, Column	11	9	1	249-40	Keeper	5	10	1
77-3140	Engine Mount	36	22	1	2412-3	Hose - Clamp	49	9	1
77-3210	Plate - Floor	2	49	1	2412-3	Hose Clamp	5	5	4
80-0060	Hose - Air Cleaner	49	10	1	2412-4	Clamp	1	25	3
80-2880	Bracket - Steering, Tilt	11	40	1	2412-4	Clamp	14	23	1
80-2890	Handle - Steering, Tilt	11	34	1	2412-6	Clamp	14	17	2
80-2930	Washer	11	39	1	2412-31	Clamp - Bodine	34	6	1
80-2940	Plate - Pivot	11	29	1	2412-34	Clamp - Hose	26	47	2
80-2960	Spacer - Tower	11	10	2	2412-36	Clamp	11	24	2
80-2970	Pin - Steering, Tilt	11	33	1	2412-36	Clamp Hose	30	16	1
80-2980	Boss - Pin	11	32	1	2412-39	Clamp	5	31	1
80-3330	Gasket	49	12	1	2412-39	Clamp	23	24	2
82-2590	Plug - Thrust	40	88	1	2412-42	Hose Clamp	49	11	1
82-8080	Radiator Support	5	35	1	2412-61	Clip - Tinnermann	1	23	2
82-8650	Clamp - Half	11	37	1	2412-74	Clamp	2	38	1
82-8660	Cover - Tower	11	5	1	2412-79	Clamp	14	14	1
82-8670	Rod - Brake Latch	10	10	1	2412-79	Clamp	34	15	1
82-8760	Elbow	11	12	1	2412-79	Clamp - Hose	41	34	8
82-8770	Elbow	11	21	1	2412-108	Clamp - Hose	30	28	2
82-8930	Decal - Parking Brake	10	12	1	2412-108	Clamp - Worm Drive	34	14	1
82-8940	Decal - Steering, Tilt	11	44	1	2412-108	Hose Clamp	6	1	5
82-8970	Decal - Engine Coolant	5	3	1	2412-133	R-Clamp	7	3	2
82-8980	Frame	1	{3	1	251-8	Bearing - Ball	21	6	2
82-9010	Disc - Friction	11	38	1	251-8	Bearing - Ball	28	46	1
83-4740	Bearing - Roller	53	48	2	251-234	Lock Collar	8	41	2
83-4740	Bearing - Roller	55	34	2	251-252	Ball Bearing	8	40	2
84-2020	Spindle Housing	51	34	3	251-252	Bearing - Ball	34	33	1
84-2020	Spindle Housing	54	20	3	251-259	Bearing - Ball	26	10	1
84-4890	Assembly - Drive Shaft	9	*	1	251-263	Bearing - Ball	21	25	2
84-8610	Decal - 325-D	5	8	2	251-344	Bearing - Ball	19	4	1
212-93	Wire Clip	7	18	2	251-345	Bearing - Ball	19	13	1
212-93	Wire Clip	9	53	1	251-346	Bearing - Ball	20	49	2
217-106	Wheel	18	24	2	251-347	Bearing - Ball	21	12	2
217-116	Rim	61	2	1	251-348	Bearing - Ball	21	3	2
217-117	Rim	14	33	2	251-349	Bearing - Ball	21	17	2
218-473	Toggle Switch Boot	3	17	1	251-350	Bearing - Ball	19	18	2
218-515	Mounting Bracket	3	39	1	252-82	Bearing - Bearing	28	23	2
218-533	Lens	3	9	1	253-138	Oil Seal	54	15	9
218-539	Clamp	3	13	1	253-138	Seal - Oil	51	18	9
231-90	Tube - Inner	14	*	2	253-155	Seal	18	34	2
231-95	Tire	61	1	1	254-65	Cone - Bearing, Tapered	15	30	2
231-101	Tire	14	31	2	254-66	Cup - Bearing, Tapered	15	29	2
231-122	Tire	18	22	2	254-90	Cup - Bearing	15	26	1
232-27	Valve Stem	61	3	1	254-91	Cone - Bearing	15	25	1
232-31	Stem - Valve	18	25	2	254-108	Bearing - Roller, Tapered	19	31	1
232-31	Valve Stem w/Cap	14	34	2	254-109	Bearing - Roller, Tapered	19	32	1
233-17	Knob	10	11	1	256-10	Bushing	10	43	4
233-21	Knob	25	1	1	256-126	Bushing	50	16	6
233-21	Knob	30	3	1	256-156	Bushing	10	6	5
233-21	Knob - Handle	11	35	1	281-1	Plug - Taper	41	16	1
233-35	Knob	3	7	2	281-7	Plug - Pipe, Square Hd.	21	37	2
237-21	O-Ring	26	14	3	281-10	Plug - Socket, Hex.	21	27	2
237-22	O-Ring	11	20	3	282-17	Clevis	25	8	1
237-22	O-Ring	23	20	2	283-3	Pin - Clevis	25	9	1
237-22	O-Ring	27	64	1	283-8	Clevis Pin	8	26	1
237-22	O-Ring	28	13	1	283-10	Pin	50	40	3
237-22	O-Ring	30	29	2	283-17	Pin	30	26	1
237-30	O-Ring	11	13	3	283-17	Pin - Clevis	25	12	1
237-30	O-Ring	27	65	1	283-23	Pin - Clevis	56	3	2
237-30	O-Ring	30	30	2	283-42	Clevis Pin	8	7	1
237-42	O-Ring	27	63	2	283-58	Pin - Clevis	10	14	2

*Not Illustrated

PART NUMBER INDEX (Continued)

Part No.	Description	Pg. No.	Ref. No.	Qty.	Part No.	Description	Pg. No.	Ref. No.	Qty.
283-76	Lynch Pin	66	3	1	323-13	Screw - Cap, Hex. Hd.	10	32	2
283-76	Pin - Lynch	68	5	1	323-13	Screw - Cap, Hex. Hd.	28	3	4
284-3	Plug - Welch	18	36	1	323-14	Screw - Cap, Hex. Hd.	5	23	2
285-17	Pipe Plug	28	12	6	323-14	Screw - Cap, Hex. Hd.	63	1	4
289-37	Nipple - Pipe	14	40	1	323-14	Screw - Cap, Hex. Hd.	66	9	2
2811-9	Street Elbow	14	39	1	323-14	Screw - Cap, Hex. Hd.	68	11	2
302-2	Fitting - Grease	50	34	2	324-4	Screw - Cap, Hex. Hd.	50	19	2
302-2	Grease Fitting	8	39	1	324-11	Screw - Cap, Hex. Hd.	36	27	2
302-5	Fitting - Grease	10	44	2	324-12	Screw - Cap, Hex Hd.	52	2	4
302-5	Fitting - Grease	18	32	1	324-12	Screw - Cap, Hex. Hd.	34	38	2
302-5	Fitting - Grease	50	13	1	324-12	Screw - Cap, Hex. Hd.	50	22	2
302-5	Fitting - Grease	52	33	4	324-12	Screw - Cap, Hex. Hd.	55	1	4
302-5	Fitting - Grease	55	19	4	324-23	Screw - Cap, Hex. Hd.	15	11	4
302-10	Fitting - Grease	34	31	1	325-4	Screw - Cap, Hex. Hd.	63	13	2
302-10	Fitting - Grease	60	3	1	325-6	Screw - Cap, Hex. Hd.	62	1	2
302-10	Fitting - Grease	8	10	1	325-6	Screw - Cap, Hex. Hd.	64	5	1
302-11	Fitting - Grease	18	11	1	325-14	Screw - Cap, Hex Hd.	52	29	4
302-11	Fitting - Grease	52	41	2	325-14	Screw - Cap, Hex. Hd.	55	8	2
302-11	Fitting - Grease	55	27	4	325-14	Screw - Cap, Hex. Hd.	62	4	4
302-33	Fitting - Grease	50	28	2	325-14	Screw - Cap, Hex. Hd.	70	3	8
302-40	Fitting - Grease	53	49	20	325-17	Screw - Cap, Hex. Hd.	51	35	2
302-40	Fitting - Grease	55	35	2	325-18	Screw - Cap, Hex Hd.	52	37	2
302-52	Fitting - Grease	51	28	3	325-18	Screw - Cap, Hex Hd.	55	23	2
302-52	Fitting - Grease	54	21	3	325-22	Screw - Cap, Hex Hd.	52	47	2
302-55	Fitting - Grease	18	6	3	325-22	Screw - Cap, Hex Hd.	55	33	2
302-55	Fitting - Grease	31	2	2	325-22	Screw - Cap, Hex. Hd.	63	17	2
302-55	Fitting - Grease	32	1	2	328-5	Screw - Cap, Hex. Hd.	71	5	4
302-58	Fitting - Grease	9	61	1	328-25	Screw - Cap, Hex. Hd.	23	23	1
302-58	Fitting - Grease	22	4	1	329-7	Screw - Cap, Hex. Hd.	34	53	1
302-58	Fitting - Grease	69	5	1	3210-7	Screw - Cap, Hex. Hd.	15	19	8
304-46	Drain Cock	5	21	1	3210-7	Screw - Cap, Hex. Hd.	18	5	1
304-73	Fitting - Straight Barb	30	23	1	3210-7	Screw - Cap, Hex. Hd.	26	9	1
304-73	Hose Barb	6	19	1	3212-4	Screw - Cap, Hex. Hd.	71	3	2
304-75	Fitting - 90° Barb	30	20	1	3217-5	Nut	34	50	1
304-96	90° Hose Barb	6	2	1	3217-6	Nut	49	2	2
321-2	Screw - Cap, Hex. Hd.	7	15	2	3217-6	Nut	68	19	4
321-2	Screw - Cap, Hex. Hd.	8	4	1	3217-6	Nut - Hex	3	32	2
321-2	Screw - Cap, Hex. Hd.	26	35	2	3217-6	Nut - Hex	27	57	2
321-3	Screw - Cap, Hex. Hd.	36	36	4	3217-6	Nut - Hex.	60	9	4
321-4	Screw - Cap, Hex. Hd.	3	30	2	3217-6	Nut - Hex.	65	8	4
321-4	Screw - Cap, Hex. Hd.	6	4	2	3217-7	Nut - Hex	10	28	2
321-4	Screw - Cap, Hex. Hd.	34	7	1	3217-7	Nut - Hex.	63	5	4
321-4	Screw - Cap, Hex. Hd.	26	36	4	3217-8	Nut - Full	50	8	2
321-6	Screw - Cap, Hex. Hd.	3	44	1	3217-9	Nut - Hex.	16	42	2
321-6	Screw - Cap, Hex. Hd.	6	12	2	3217-9	Nut - Hex.	62	6	4
321-6	Screw - Cap, Hex. Hd.	14	20	1	3217-9	Nut - Hex.	63	10	2
321-23	Screw - Cap, Hex. Hd.	30	14	5	3217-9	Nut - Hex.	64	9	10
322-2	Screw - Cap, Hex. Hd.	7	21	2	3217-12	Nut - Hex	71	7	4
322-3	Screw - Cap, Hex. Hd.	49	13	4	3217-26	Nut	3	37	1
322-3	Screw - Cap, Hex. Hd.	67	11	4	3218-5	Nut	70	1	8
322-4	Screw - Cap, Hex. Hd.	11	43	1	3218-5	Nut - Jam	10	3	2
322-4	Screw - Cap, Hex. Hd.	28	37	4	3218-5	Nut - Jam	64	6	1
322-4	Screw - Cap, Hex. Hd.	68	20	4	3218-7	Nut - Jam	11	42	1
322-4	Screw - Cap, Hex Hd.	51	45	2	3219-1	Nut	34	2	5
322-5	Screw - Cap, Hex. Hd.	3	29	2	3219-2	Nut	15	1	8
322-5	Screw - Cap, Hex. Hd.	23	12	2	3219-2	Nut - Hex	26	8	1
322-6	Screw - Cap, Hex. Hd.	5	33	1	3219-3	Nut	8	33	1
322-8	Screw - Cap, Hex. Hd.	18	44	2	3219-7	Nut - Hex.	8	16	1
322-8	Screw - Cap, Hex. Hd.	26	30	6	3219-14	Nut	3	1	6
322-9	Screw - Cap Hex. Hd.	9	65	2	3219-14	Nut	14	10	1
322-10	Screw - Cap, Hex. Hd.	26	34	2	3220-1	Nut - Jam	25	10	3
322-10	Screw - Cap, Hex. Hd.	68	4	1	3220-2	Nut - Jam	66	6	2
322-17	Screw - Cap, Hex. Hd.	26	11	1	3220-2	Nut - Jam	68	8	2
323-4	Screw - Cap, Hex Hd.	55	46	4	3220-3	Nut - Jam	10	27	2
323-4	Screw - Cap, Hex Hd.	52	4	4	3220-5	Nut - Jam	18	4	1
323-6	Screw - Cap Hex. Hd.	16	46	1	3220-6	Nut	12	27	1
323-6	Screw - Cap, Hex. Hd.	11	27	2	3229-1	Bolt - Carriage	2	40	5
323-7	Screw - Cap, Hex. Hd.	26	43	2	3230-2	Bolt - Carriage	14	29	3
323-7	Screw - Cap, Hex. Hd.	56	5	2	3231-21	Bolt - Carriage	10	31	2
323-9	Screw - Cap, Hex. Hd.	18	21	2	3231-22	Bolt - Carriage	54	7	2
323-9	Screw - Cap, Hex. Hd.	69	2	2	3231-26	Bolt - Carriage	53	55	4
323-12	Screw - Cap, Hex. Hd.	51	37	1	3231-26	Bolt - Carriage	55	42	4
323-12	Screw - Cap, Hex. Hd.	54	31	1	3231-27	Bolt - Carriage	51	9	6

*Not Illustrated

PART NUMBER INDEX (Continued)

Part No.	Description	Pg. Ref. No. No. Qty.	Part No.	Description	Pg. Ref. No. No. Qty.
3231-27	Bolt - Carriage	52 19 2	3254-1	Washer - Lock	3 38 1
3231-29	Bolt - Carriage	51 6 2	3254-2	Washer - Lock, Int. Tooth	2 52 1
3231-29	Bolt - Carriage	54 32 2	3254-2	Washer - Lock, Int. Tooth	34 18 2
3233-2	Bolt - Carriage	52 46 12	3254-2	Washer - Lock, Int. Tooth	3 24 6
3233-2	Bolt - Carriage	55 30 12	3254-7	Washer - Lock	8 15 1
3233-2	Bolt - Carriage	64 11 10	3254-9	Washer - Lock	27 58 2
3233-14	Bolt - Carriage	36 9 1	3255-7	Washer - Lock, Ext. Tooth	3 31 3
3234-1	Screw - Cap, Locking Hex.	5 15 2	3255-7	Washer - Lock	27 59 3
3234-1	Screw - Hex. Hd. Flange	51 13 24	3255-7	Washer - Lock, Ext. Tooth	6 21 2
3234-1	Screw - Hex. Hd. Flange	54 27 20	3255-8	Washer - Lock	15 2 8
3234-1	Screw - Hex. Hd. Flange	58 2 4	3255-9	Washer - Lock, Ext. Tooth	35 61 1
3234-1	Screw - Hex. Hd. Flange	59 3 12	3256-1	Washer - Flat	3 45 1
3234-5	Screw - Cap, Hex. Hd. Fl.	65 9 4	3256-2	Washer - Flat	67 9 8
3234-11	Screw - Cap, Hex. Hd.	10 39 3	3256-3	Washer - Flat	26 32 4
3234-11	Screw - Cap, Hex. Hd.	34 45 4	3256-3	Washer - Flat	11 28 4
3234-11	Screw - Cap, Hex. Hd.	36 31 4	3256-6	Washer - Flat	8 20 1
3234-11	Screw - Cap, Locking Fl.	1 26 5	3256-6	Washer - Flat	16 43 2
3234-11	Screw - Flange, Hex. Hd.	25 5 2	3256-6	Washer - Flat	27 61 1
3234-11	Screw - Hex. Hd. Flange	51 1 4	3256-6	Washer - Flat	52 38 8
3234-11	Screw - Hex. Hd. Flange	54 1 4	3256-6	Washer - Flat	55 24 8
3234-11	Screw - Hex. Hd. Flange	59 1 1	3256-14	Washer - Flat	3 35 1
3234-11	Screw w/Locking Flange	7 13 6	3256-22	Washer - Flat	10 8 1
3234-12	Screw - Hex. Hd. Flange	1 8 4	3256-22	Washer - Flat	34 8 1
3234-12	Screw - Lock, Flange	36 33 2	3256-23	Washer - Flat	7 9 1
3234-14	Screw - Cap, Hex. Hd.	2 46 2	3256-23	Washer - Flat	7 22 2
3234-14	Screw - Cap, Hex. Hd.	7 6 5	3256-24	Washer	51 33 A/R
3234-14	Screw - Hex, Flange Hd.	5 13 11	3256-24	Washer - Flat	54 26 A/R
3234-14	Screw - Hex, Flange Hd.	23 6 2	3256-25	Washer - Flat	50 6 1
3234-17	Screw - Cap, Hex. Hd.	7 16 6	3256-26	Washer - Flat	10 40 1
3234-17	Screw - Cap, Hex. Hd.	11 8 2	3256-26	Washer - Flat	62 5 8
3234-18	Screw - Cap, Hex. Hd.	35 60 1	3256-28	Washer - Flat	8 14 4
3234-24	Screw - Flange, Hex. Hd.	23 18 3	3256-41	Washer - Flat	8 36 3
3234-25	Screw - Flange, Hex. Hd.	23 27 4	3256-46	Washer - Flat	11 26 2
3234-32	Screw - w/Locking Flange	7 11 2	3256-64	Washer - Flat	34 25 4
3234-32	Screw - w/Locking Flange	23 8 6	3257-5	Key - Woodruff	8 11 3
3241-5	Screw - Set, Sq. Hd.	26 25 2	3257-5	Key - Woodruff	52 12 1
3245-1	Screw - Set	8 46 2	3257-5	Key - Woodruff	55 12 1
3245-1	Screw - Set, Socket Head	34 36 2	3257-30	Key - Woodruff	36 3 2
3246-3	Screw - Set	8 29 4	3257-32	Key - Woodruff	26 24 1
3247-4	Screw - Set	53 54 2	3257-32	Key - Woodruff	28 21 1
3247-4	Screw - Set	55 40 2	3257-33	Key - Woodruff	34 30 1
3249-11	Screw - Mach. Rd. Hd.	26 5 2	3258-19	Screw - Mach. Rd. Hd.	49 16 2
3250-17	Screw - Pan Hd.	3 22 2	3269-5	Rivet - Pop	52 45 4
3253-3	Washer - Lock	14 5 2	3272-1	Pin - Cotter	25 11 2
3253-3	Washer - Lock	18 38 6	3272-5	Pin - Cotter	10 7 3
3253-3	Washer - Lock	22 8 6	3272-6	Pin - Cotter	10 21 6
3253-3	Washer - Lock	34 51 3	3272-6	Pin - Cotter	30 8 1
3253-3	Washer - Lock	36 35 4	3272-10	Cotter Pin	8 8 1
3253-4	Washer - Lock	1 9 2	3272-10	Pin - Cotter	26 1 1
3253-4	Washer - Lock	34 47 2	3272-10	Pin - Cotter	50 38 3
3253-4	Washer - Lock	36 21 5	3272-11	Pin - Cotter	8 28 1
3253-4	Washer - Lock	60 8 4	3272-11	Pin - Cotter	18 9 3
3253-4	Washer - Lock	65 7 4	3272-11	Pin - Cotter	50 2 2
3253-4	Washer - Lock	67 10 4	3272-11	Pin - Cotter	54 36 2
3253-6	Washer - Lock	50 7 2	3272-16	Pin - Cotter	36 14 2
3253-6	Washer - Lock	71 8 2	3272-17	Pin - Cotter	21 31 2
3253-7	Washer - Lock	62 2 6	3272-22	Pin - Cotter	8 17 2
3253-7	Washer - Lock	63 11 4	3272-24	Cotter Pin	50 10 1
3253-7	Washer - Lock	64 10 10	3272-33	Pin - Cotter	50 17 1
3253-7	Washer - Lock	70 2 8	3274-8	Screw - Cap, Hex. Hd.	18 39 6
3253-9	Washer - Lock	71 6 4	3274-8	Screw - Cap, Soc. Hd.	22 7 6
3253-17	Washer - Lock	3 3 6	3274-47	Screw - Flat Hd. Socket	10 33 1
3253-17	Washer - Lock	14 9 1	3290-134	Screw - Hex. Hd. Mach.	3 4 2
3253-21	Washer - Lock	9 55 4	3290-144	Screw - Machine	1 13 6
3253-21	Washer - Lock	10 29 4	3290-224	Washer - Lock	35 59 1
3253-21	Washer - Lock	14 38 2	3290-243	Pin - Lynch	64 3 2
3253-21	Washer - Lock	16 45 1	3290-271	Rivet	5 9 4
3253-21	Washer - Lock	26 44 2	3290-322	Pin - Cotter, Hair	56 1 2
3253-21	Washer - Lock	51 38 1	3290-357	Nut - Flange	51 11 6
3253-21	Washer - Lock	52 6 4	3290-357	Nut - Flange	52 17 4
3253-21	Washer - Lock	54 30 1	3290-357	Nut - Flange	54 9 2
3253-21	Washer - Lock	63 4 4	3290-357	Nut - Lock, Flange	1 24 5
3253-24	Washer - Lock	66 7 1	3290-357	Nut - Lock, Flange	7 14 6
3253-24	Washer - Lock	68 9 5	3290-357	Nut - Lock, Flange	34 43 7

*Not Illustrated

PART NUMBER INDEX (Continued)

Part No.	Description	Pg. No.	Ref. No.	Qty.	Part No.	Description	Pg. No.	Ref. No.	Qty.
3290-357	Nut - Lock, Flange	36	7	8	32128-21	Nut	68	13	2
3290-378	Cable Tie	6	8	A/R	32128-21	Nut - Flange	51	8	33
3290-378	Tie - Cable	1	22	2	32128-21	Nut - Flange	52	7	4
3290-379	Cable Tie	3	41	1	32128-21	Nut - Flange	54	6	28
3290-379	Cable Tie	5	29	4	32128-21	Nut - Flange	56	9	2
3290-379	Cable Tie	23	34	1	32128-21	Nut - Flange	59	2	13
3290-379	Cable Tie	34	16	1	32128-21	Nut - Flange Hd.	5	28	2
3290-379	Tie - Cable	11	16	3	32128-21	Nut - Flange, Lock	25	14	2
3290-384	Pin - Lynch	52	30	4	32128-21	Nut - Lock, Flange	55	4	4
3290-384	Pin - Lynch - Safety Type	55	16	4	32128-21	Nut - Lock, Flange	1	7	6
3290-424	Screw - Hex. Hd. Mach.	3	28	1	32128-23	Nut - Lock, Flange	23	10	4
3290-469	Nut - Grip	52	23	4	32128-23	Nut - Lock, Flange	34	24	2
3296-2	Nut - Lock	1	18	6	32128-23	Nut - Lock, Flange	36	16	1
3296-4	Nut - Lock	11	30	4	32128-23	Nut - Lock, Flange	51	22	2
3296-6	Nut - Lock	8	34	1	32128-23	Nut - Lock, Flange	52	26	8
3296-20	Nut - Lock	23	28	2	32128-23	Nut - Lock, Flange	55	10	6
3296-20	Nut - Lock	34	5	1	32128-25	Nut - Lock, Flange	51	39	2
3296-28	Nut - Lock	8	27	1	32128-25	Nut - Lock, Flange Hd.	67	21	4
3296-29	Nut - Lock	9	64	2	32128-33	Nut - Lock, Flange	2	41	5
3296-29	Nut - Lock	11	36	2	32128-37	Nut - Lock, Flange	34	44	2
3296-29	Nut - Lock	18	43	2	32128-37	Nut - Lock, Flange	36	23	2
3296-29	Nut - Lock	26	7	1	32128-42	Nut - Flange	50	27	4
3296-29	Nut - Lock	67	17	4	32128-42	Nut - Flange	52	20	4
3296-39	Nut - Lock	18	19	2	32128-42	Nut - Flange	55	32	4
3296-42	Nut - Lock	7	19	1	32128-45	Nut - Flange	23	31	1
3296-42	Nut - Lock	8	5	1	32128-49	Nut - Flange	52	22	12
3296-42	Nut - Lock	26	12	6	32128-49	Nut - Flange	55	31	12
3296-42	Nut - Lock	30	10	5	32136-2	Nut	50	3	2
3296-43	Nut - Lock	18	3	1	32136-3	Nut - Hex. Slotted	36	13	2
3296-49	Nut	51	15	3	32136-13	Nut - Slotted	18	10	3
3296-49	Nut - Lock	54	12	3	32144-10	Screw - Hex. Hd. Thd. Form	11	6	6
3296-59	Nut - Lock	52	24	4	32144-10	Screw - Self Tapping	23	17	2
32103-2	Nut - Wing	1	17	3	32144-10	Screw - Self Tapping	30	4	2
32103-2	Nut - Wing	5	37	2	32144-10	Screw - Self Tapping	5	1	4
32104-6	Screw - Hex. Hd. Tapping	9	56	4	32144-10	Screw, Self Tapping	2	47	11
32104-6	Screw - Self Tapping	14	1	2	32144-21	Screw	11	45	1
32104-82	Screw - Cap, Self Tapping	55	14	14	32144-53	Screw - Thread Forming	14	11	5
32104-82	Screw - Cap, Self-Tapping	52	18	2	32144-67	Screw - Cap, Thd. Forming	14	36	4
32104-96	Screw - Cap, Hex. Hd.	14	6	1	32146-5	Nut - Flange Hd.	68	17	1
32104-116	Screw -Self Tapping	5	17	8	32146-20	Nut	23	14	2
32107-11	Nut	49	14	2	32149-2	Nut	6	9	2
32120-8	Ring - Retaining	28	1	1	32149-2	Nut	6	22	2
32120-11	Ring - Retaining	28	47	1	32149-2	Nut	10	37	1
32120-15	Ring - Retaining	28	45	1	32149-2	Nut - Lock	3	33	3
32120-22	Ring - Retaining	8	42	2	32151-46	Ring - Retaining	28	27	2
32120-22	Ring - Retaining, Internal	34	34	1	32151-87	Ring - Retaining	18	29	1
32120-69	Ring - Retaining, External	34	35	1	32152-1	Nut - Lock	26	28	8
32120-72	Ring - Retaining	27	53	1	32152-1	Nut - Lock, Flange	34	12	1
32121-4	Pin - Spring	68	14	1	32153-2	Nut - Hex.	11	11	2
32121-4	Spring Pin	66	12	1	32153-2	Nut - Lock	10	30	2
32121-5	Pin - Roll	25	7	1	32153-2	Nut - Lock	35	57	1
32121-6	Pin - Roll	10	24	1	32153-2	Nut - Lock	69	7	2
32121-6	Pin - Roll	27	62	1	340-54	Fitting	23	29	1
32121-6	Pin - Spring	68	18	1	340-70	Nut - Lock, Bulkhead	5	26	2
32121-6	Spring Pin	66	14	1	340-71	Union - Bulkhead	5	25	2
32121-9	Pin - Roll	8	49	1	340-77	Elbow - Fitting	26	21	1
32121-15	Pin - Roll	16	32	1	340-92	Adapter - Straight	26	19	1
32121-24	Pin - Roll	26	2	1	340-97	Elbow - Fitting	23	19	1
32121-34	Pin - Roll	8	45	2	340-97	Fitting - 90°	30	25	1
32121-34	Pin - Roll	18	35	1	340-99	Elbow - Fitting	26	22	1
32121-34	Pin - Roll	69	1	1	340-99	Fitting - 90° Elbow	30	12	1
32121-73	Pin - Slotted Spring	30	9	1	340-107	Fitting - Straight	26	13	2
32121-84	Pin - Roll	50	25	2	340-110	Elbow - 90°	30	24	1
32121-91	Pin - Coil ,Spring	28	49	3	340-112	Elbow - 90°	30	18	1
32128-17	Nut - Lock, Flange Hd.	3	26	3	340-143	Elbow - Swivel	26	15	1
32128-20	Nut - Flange	11	41	1	353-508	Plug - Drain	26	49	1
32128-20	Nut - Flange	14	37	3	353-512	Plug	30	1	1
32128-20	Nut - Flange	49	21	4	353-550	Plug - Hex. Hd.	28	19	2
32128-20	Nut - Flange	56	8	4	353-551	Plug - Hex. Hd.	28	32	1
32128-20	Nut - Hex. Hd. Flange	5	2	11	353-702	Hose Barb	6	18	1
32128-20	Nut - Lock, Flange	2	39	1	353-975	Hose Barb	6	6	1
32128-21	Nut - Lock, Flange	23	25	4	353-987	Elbow - Fitting	26	45	1
32128-21	Nut	66	11	2					

*Not Illustrated

PRODUCT CHANGES

In an effort to make improvements available to TORO owners as quickly as possible – minor changes are incorporated into Toro's products from time to time that do not become immediately shown in the Parts Catalog. If such a change has been made in your unit – which is not reflected in your manual – see your TORO Distributor or his Authorized TORO Service Dealer for information and part numbers.

IDENTIFICATION AND ORDERING

MODEL AND SERIAL NUMBERS

The Groundsmaster 325D 4 Wheel Drive has two identification numbers; a model number and a serial number. The two numbers are stamped on a plate which is located on the main frame under the seat. In any correspondence concerning the Groundsmaster 325D 4 Wheel Drive – supply model and serial numbers to assure that correct information and replacement parts are obtained.

To order replacement parts from an Authorized TORO Service Dealer – supply the following information:

1. Model and serial number of the Groundsmaster 325D 4 Wheel Drive.
2. Part number – description – and the quantity of part(s) desired.

NOTE: Do not order by reference number if a parts catalog is being used; use the PART NUMBER.

INDEX

Description	Page	Description	Page
Main Frame	1-2	Nozzle and Holder Assy. No. 44-8070	46
Instrument Panel Assembly	3	Alternator Assembly No. 43-0390	47
Electrical Schematic	4	Starter Assembly No. 46-7610	48
Radiator & Hood Assembly	5	Air Cleaner Assembly	49
Fuel Filter Assembly	6	Push Arm Assembly	50
Interlock Assembly	7	Cutting Unit Model No. 30722	51-53
Power Take Off Assembly	8-9	Cutting Unit Model No. 30710	54-56
Brake Pedal Assembly	10	Gear Box Assembly No. 68-6810	57
Power Steering Assembly	11	Rear Baffle Kit No. 51-1460	
Power Steering Valve Assembly		(Optional)	58
No. 63-9250	12	Mulcher Kit Model No. 30732 & 30733	
Hydraulic Schematic	13	(Optional)	59
Front Axle and Fuel Tank Assembly	14	Cutting Unit Pneumatic Tire & Wheel Assy.	
Front Axle Assembly No. 71-4390	15-16	No. 12-1509 (Optional)	60
Brake Assembly	17	Tire & Wheel Assembly 23 x 10.50 x 12	
Steerable Axle Assembly	18	No. 62-7020 (Optional)	61
Rear Axle Assembly No. 68-6820	19-20	Rear Weight Kit Model No. 24-5780	
Steering Knuckle Assembly	21	(Optional)	62
Drive Shaft Assembly No. 71-4550	22	V-Plow Installation Kit Model No. 30757	
Axle Support & Steering Cross Member	23	(Optional)	63
Steering Cylinder Part No. 68-6860	24	V-Plow Model No. 30750 (Optional)	64
Clutch Engagement Assembly	25	Standard Seat Kit Model No. 30770	65-66
Hydrostatic Transmission	26-27	Deluxe Seat Kit Model No. 30772	67
Transmission Assembly No. 71-4370	28-29	Deluxe Seat Adapter Kit	
Valve and Cylinder Assembly	30	Model No. 30791	68
Hydraulic Lift Cylinder Assy., No. 62-4250	31	Drive Shaft Assy. Kit No. 72-3740 (Opt.)	69
Hydraulic Lift Cylinder Assy. No. 66-1250	32	Wheel Weights Model No. 11-0440	
Control Valve Assembly No. 43-1710	33	(Optional)	70
Engine Assembly	34-35	Roll Over Protection Kit	71
Engine	36-43	Part Number Index	72-83
Fuel Injection Pump Assy. No. 42-8000	44-45		