



21 Inch Heavy-Duty Recycler[®] Rear Bagger Lawn Mower

Model No. 22187 - 270000001 and up.

Parts Catalog

Ordering Replacement Parts

To order replacement parts, please supply the part number, the quantity, and the description of each part desired.

Understanding Reference Numbers

Each identified part in an illustration has a reference number. The reference number for a part also appears in the parts list, along with other information about the part.

This catalog uses two special reference number formats, one to indicate parts in a service assembly and another to indicate the quantity of a given part in an illustration.

Service Assembly Reference Numbers

Parts in service assemblies have reference numbers in the form a:b. The a represents the reference number of the entire service assembly and the b represents a sequential number unique to each part within the service assembly.

For example, a wheel assembly might be identified by reference number 6, the tire by 6:1, the valve by 6:2, and the wheel by 6:3. When you order the assembly identified by reference number 6, you receive all parts identified by reference numbers 6:1, 6:2, and 6:3. However, you may also order any part individually. Reference numbers of this type appear in illustrations and in part lists.

Reference Numbers Indicating Quantity

In an illustration, if a reference number indicates more than one part, the reference number has the form nX y. The n represents the quantity of the part, the X is the multiplication symbol, and the y represents the reference number.

For example, in an illustration, the reference number 2X 37 means that two of the parts identified by reference number 37 are indicated.

Contents

Description	Page	Description	Page
Housing Assembly 3	Lubrication Equipment Assembly Kawasaki FJ180V-AS31 15
Housing Assembly No. 98-7139 4	Cooling Equipment Assembly Kawasaki FJ180V-AS31 16
Front Wheel and Tire Assembly No. 100-2870 5	Electric Equipment Assembly Kawasaki FJ180V-AS31 17
Gear Case Assembly No. 74-1861 6	Control Equipment Assembly Kawasaki FJ180V-AS31 18
Engine and Fuel Tank Assembly 7	Carburetor Assembly Kawasaki FJ180V-AS31 19
Handle Assembly 8	Air Filter and Muffler Assembly Kawasaki FJ180V-AS31 20
Rear Drive and Wheel Assembly 9	Starter Assembly Kawasaki FJ180V-AS31 21
Rear Wheel Assembly No. 100-2860 10	Brake and Cover Assembly Kawasaki FJ180V-AS31 22
Grass Bag Assembly No. 106-0975 11	Label Assembly Kawasaki FJ180V-AS31 23
Cylinder and Crankcase Assembly Kawasaki FJ180V-AS31 12		
Piston and Crankshaft Assembly Kawasaki FJ180V-AS31 13		
Valve and Camshaft Assembly Kawasaki FJ180V-AS31 14		

Part Description Abbreviations

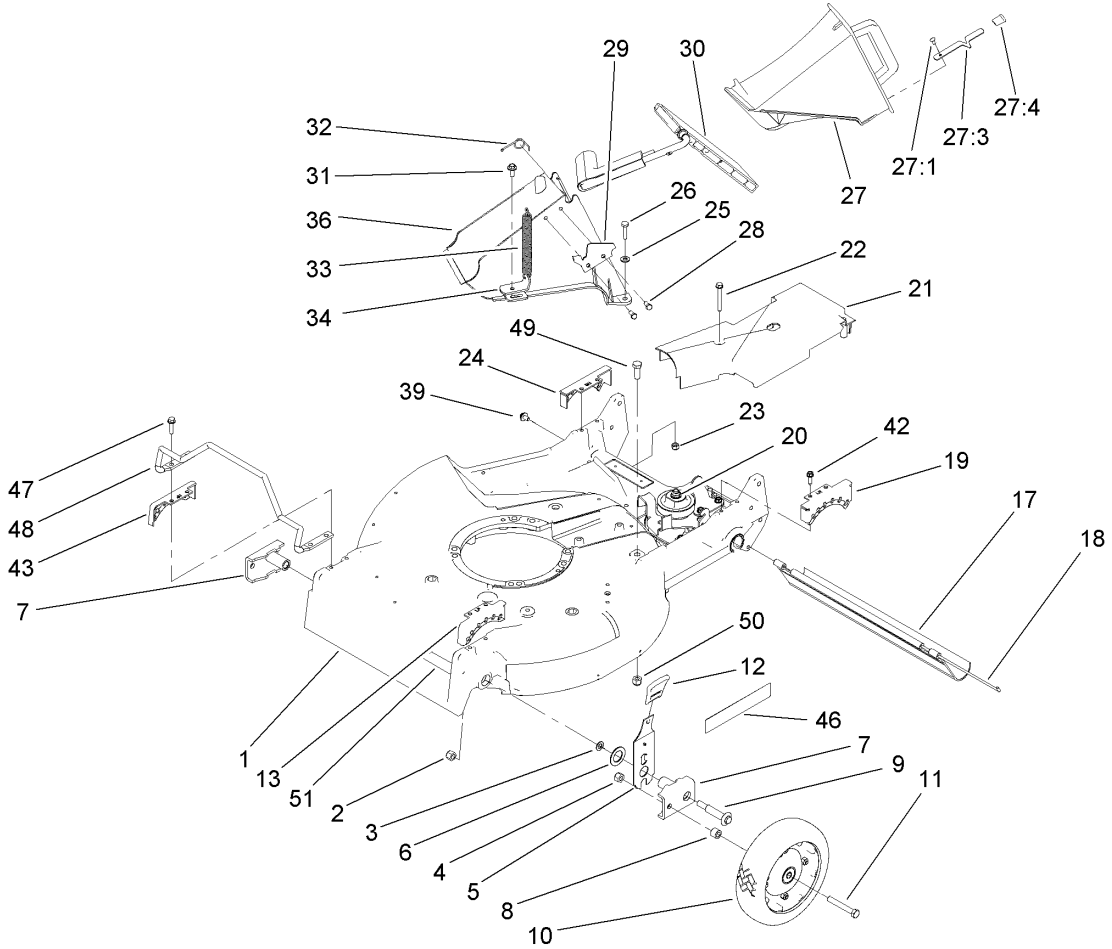
Part descriptions in this catalog may include the following abbreviations.

AR. as required	HYD. hydraulic
ASM. assembly	LH. left hand
BBC. blade brake clutch	NI. nylon insert
CARR. carriage	NPTF. national pipe thread fine
DEG. degrees	PFH. phillips flat head
EXT. external	PPH. phillips pan head
FH. flat head	PPHTF. phillips pan head thread forming
GA. gauge	PRH. phillips round head
HD. heavy-duty	PTH. phillips truss head
HF. hex flange	PTO. power-take-off
HH. hex head	RH. right hand
HHF. hex head flange	ROPS. roll-over protection system
HHFTF. hex head flange thread forming	SFH. slotted fillister head
HJ. hex jam	SHH. slotted hex head
HLH. hex lag head	SHWH. slotted hex washer head
HOC. height-of-cut	SPH. slotted pan head
HSBH. hex socket button head	SQH. square head
HSFH. hex socket flat head	SRH. slotted round head
HSH. hex socket head	STD. standard
HWH. hex washer head	TAP. self tapping
HWHTF. hex washer head thread forming	TTH. torx truss head

Footnotes

- ❶ Not illustrated
- ❷ Obtain from your local Kawasaki dealer

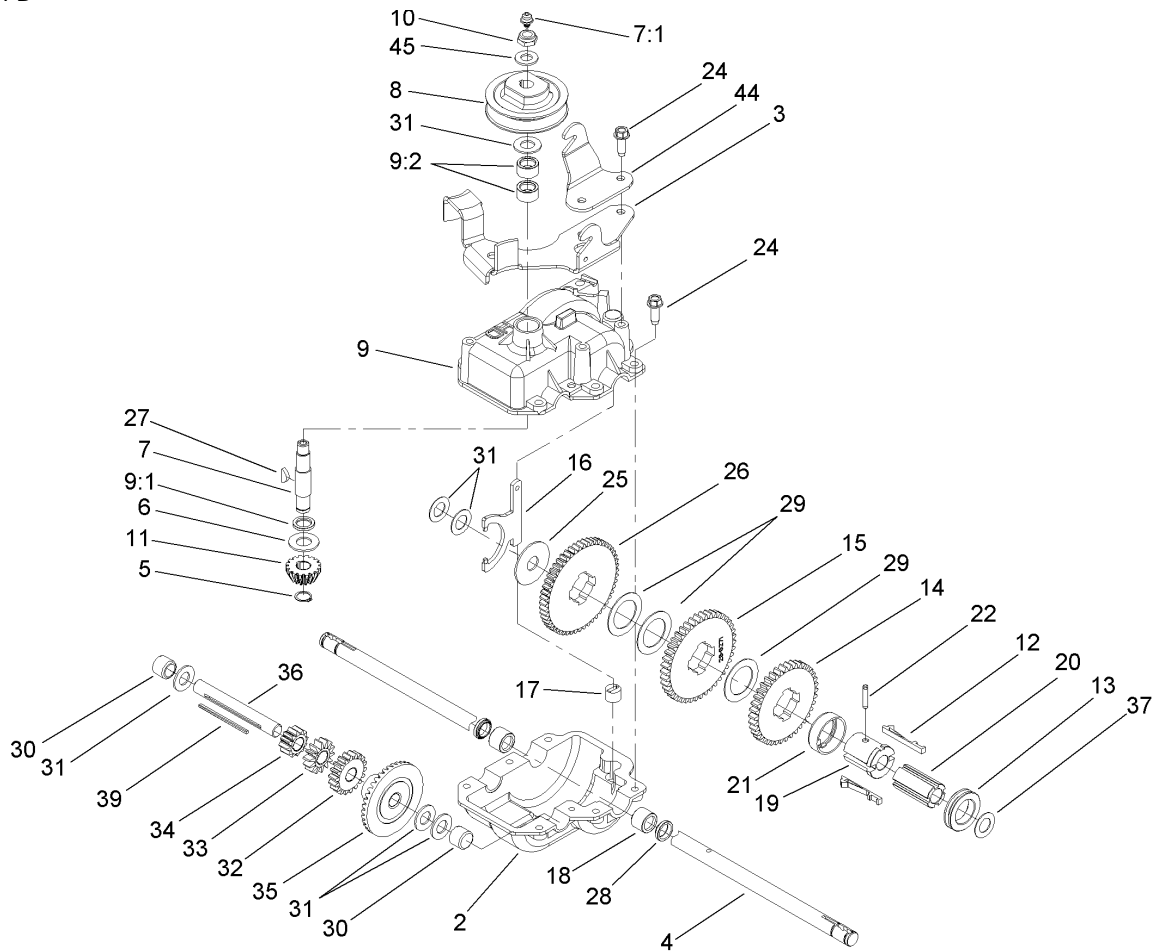
- ❸ Not serviced separately



Housing Assembly

Ref	Part No.	Qty.	Description
1	98-7139	1	Housing
2	3296-6	2	Nut-Lock
3	40-1940	2	Washer
4	32152-2	2	Nut-Lock, Cone
5	110-0537	2	Spring Arm ASM
6	257-3	2	Washer-Thrust
7	61-8300	2	Arm-Pivot, Front
8	52-2480	2	Spacer-Wheel
9	27-6232	2	Bolt-Wheel
10	100-2870	2	Wheel And Tire ASM
11	323-12	2	Screw-HH
12	110-0549	2	Knob-HOC
13	49-8760	1	Quadrant-Front, LH
17	112-9989	1	Shield- Trailing
18	33-3208	1	Rod-Shield
19	49-8740	1	Quadrant-Rear, LH
20	74-1861	1	Gear Case ASM
21	74-1770	1	Cover-Belt
22	37-7260	2	Screw-HH
23	3296-42	2	Nut-Lock, NI
24	49-8750	1	Quadrant-Rear, RH
25	3256-22	2	Washer-Flat
26	321-8	2	Screw-HH
27	77-0500	1	Discharge Plug ASM

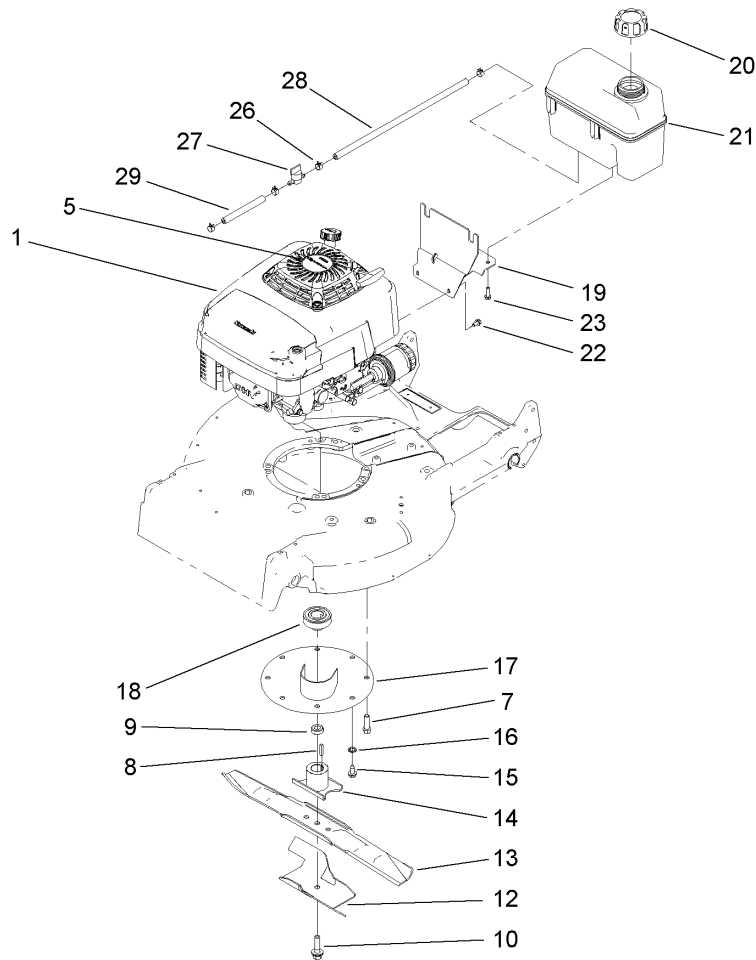
Ref	Part No.	Qty.	Description
27:1	3295-35	1	Rivet-Head, Flat
27:3	76-4640	1	Latch-Plug, Discharge
27:4	76-4650	1	Grip-Latch
28	46-8090	2	Screw-Plastite
29	93-3154	1	Latch-Plate
30	93-7351	1	Discharge Door ASM
31	46-6811	1	Screw-HWH
32	80-3770	1	Retainer-Door
33	76-4660	1	Spring-Door
34	71-9350	1	Bracket-Spring
36	82-9152	1	Tunnel-Discharge
39	46-6810	1	Screw And Washer ASM
42	49-2040	4	Screw-HWHTF
43	49-8770	1	Quadrant-Front, RH
46	106-0689	1	Decal
47	32144-86	4	Screw-HWHTF
48	99-6722	1	Guard-Engine
49	323-6	2	Screw-HH
50	3296-39	2	Nut-Lock, NI
51	68-7410	1	Decal-Blade



Gear Case Assembly No. 74-1861

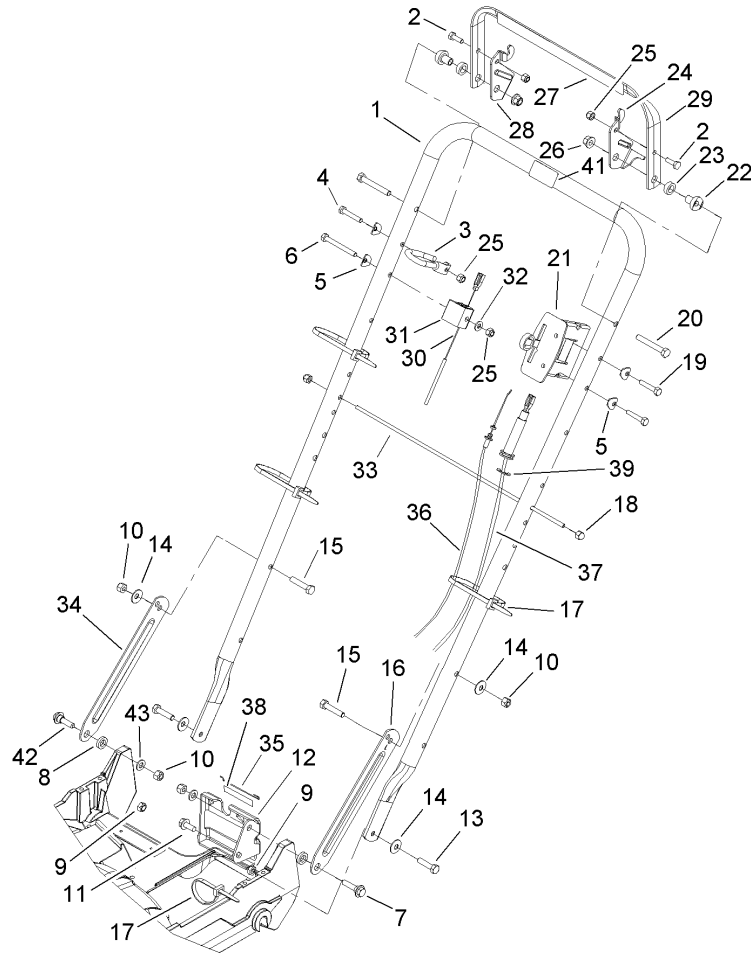
Ref	Part No.	Qty.	Description
2	74-1920	1	Case-Gear, Lower
3	49-8461-03	1	Bracket-Guide, Belt
4	74-1890	1	Shaft-Output
5	32151-57	1	Ring-Retaining
6	47-2910	1	Washer-Thrust
7	13-5149	1	Input Shaft ASM
7:1	302-63	1	Zerk
8	39-6740	1	Pulley
9	13-9739	1	Upper Gearcase ASM
9:1	47-7260	1	Seal
9:2	47-7270	2	Bearing
10	3296-5	1	Nut-Lock
11	39-6660	1	Pinion-Bevel
12	29-9330	2	Key-Shift
13	29-9340	1	Collar-Shift
14	42-4740	1	Gear-38T
15	29-9271	1	Gear-42T
16	60-8870	1	Yoke-Shift
17	29-9570	1	Bushing-Yoke
18	47-6730	2	Seal-Oil
19	55-8010	1	Sleeve-Gear
20	39-6720	1	Sleeve
21	55-8020	1	Retainer-Key
22	3285-19	1	Pin-Groove

Ref	Part No.	Qty.	Description
24	49-2040	6	Screw-HWHTF
25	29-9690	1	Washer
26	46-3560	1	Gear
27	3257-1	2	Key-Woodruff
28	48-2060	2	Bearing-Roller
29	36-4770	3	Washer
30	252-103	2	Bearing-Closed
31	36-4792	4	Washer-Thrust
32	39-6650	1	Gear-18T
33	46-3550	1	Gear-14T
34	46-3540	1	Gear-12T
35	74-1760	1	Gear-Bevel
36	53-7950	1	Shaft-Intermediate
37	36-4780	3	Washer
39	39-7842	1	Key
44	74-1750-03	1	Bracket-Engage, Traction
45	3256-45	1	Washer-Flat



Engine and Fuel Tank Assembly

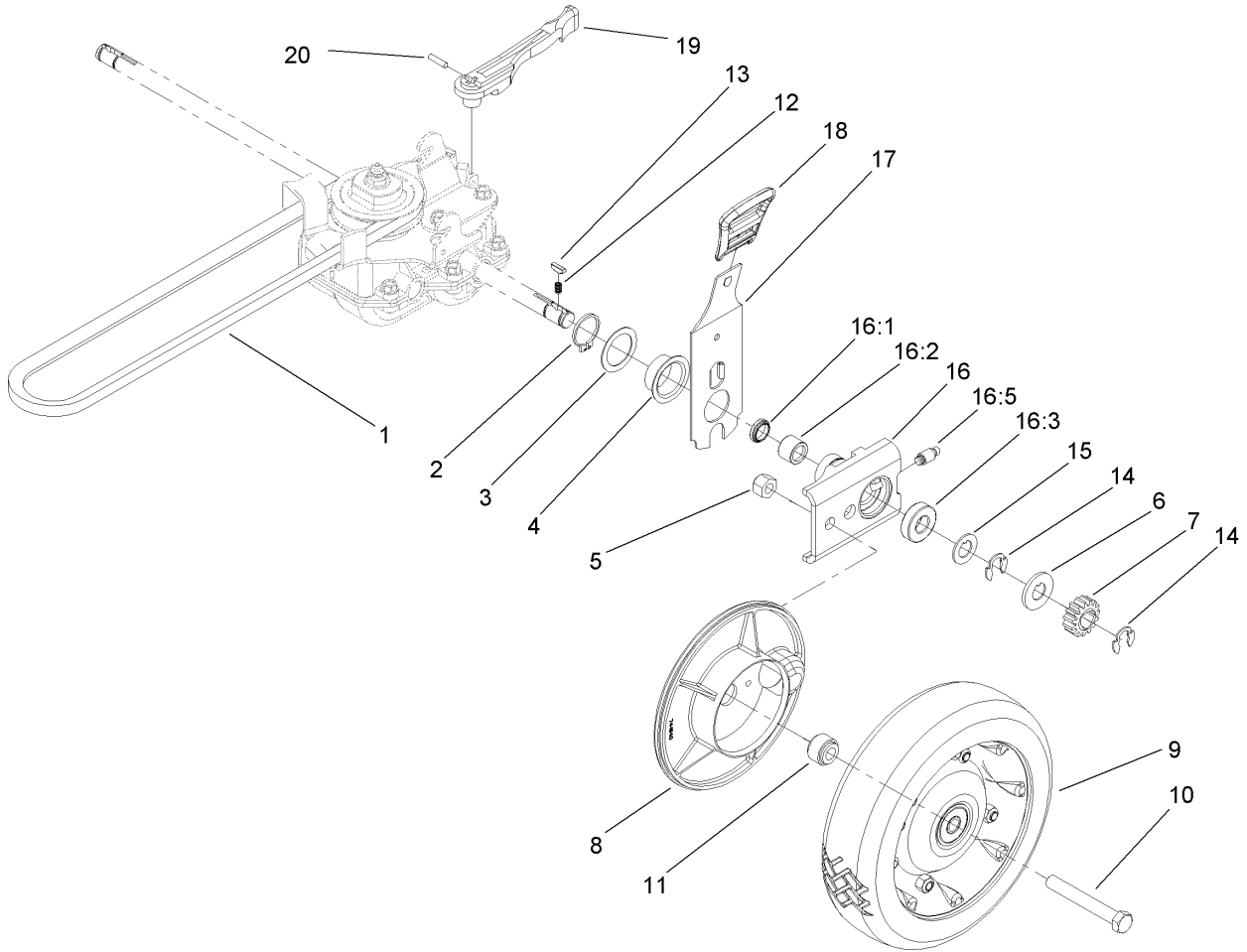
Ref	Part No.	Qty.	Description				
1	110-5047	1	Engine-Kawasaki				
5	112-9974	1	Decal				
7	95-1727	4	Screw-Taptite				
8	5-1077	1	Key-Square				
9	103-3795	1	Spacer-Retainer, Blade				
10	105-8579	1	Bolt-Blade				
12	92-1599-03	1	Stiffener-Blade				
13	91-2256-03	1	Blade-21 Inch				
14	52-2170-03	1	Retainer-Blade				
15	32144-70	3	Screw-HWHTF				
16	3254-6	3	Washer-Lock, Internal				
17	65-5860	1	Protector-Crankshaft				
18	46-7910	1	Pulley-Driver				
19	110-4950-03	1	Tank Mount ASM				
20	93-7198	1	Gas Cap ASM				
21	106-0625	1	Tank-Fuel				
22	104-2628	3	Screw-HWH				
23	46-8091	2	Screw-HWH				
26	109-0296	1	Hose-Fuel				
27	1-603770	1	Valve-Fuel				
28	2412-98	4	Clamp				
29	109-0650	1	Hose-Fuel				



Handle Assembly

Ref	Part No.	Qty.	Description
1	98-2000-03	1	Handle
2	321-4	2	Screw-HH
3	46-8081	1	Guide-Rope
4	321-9	1	Screw-HH
5	3-7501	4	Washer
6	321-15	1	Screw-HH
7	27-7210	1	Screw-Shoulder
8	3-3287	2	Spacer-Latch, Handle
9	3296-47	2	Nut-Lock, NI
10	3296-29	4	Nut-Lock, NI
11	32144-70	1	Screw-HWHTF
12	74-1741	1	Bracket-Adjustment, Traction
13	322-6	2	Screw-HH
14	3290-456	4	Washer-Belleville
15	322-7	2	Screw-HH
16	100-3298-03	1	Latch-Handle, LH
17	3290-378	5	Tie-Cable
18	32111-7	2	Nut-Cap
19	321-13	2	Screw-HH
20	322-11	2	Screw-HH
21	108-2645	1	Control-Head, Throttle
22	49-1630	2	Spacer-Support
23	256-276	2	Spacer-Nylon
24	66-5350	1	Lever-Control

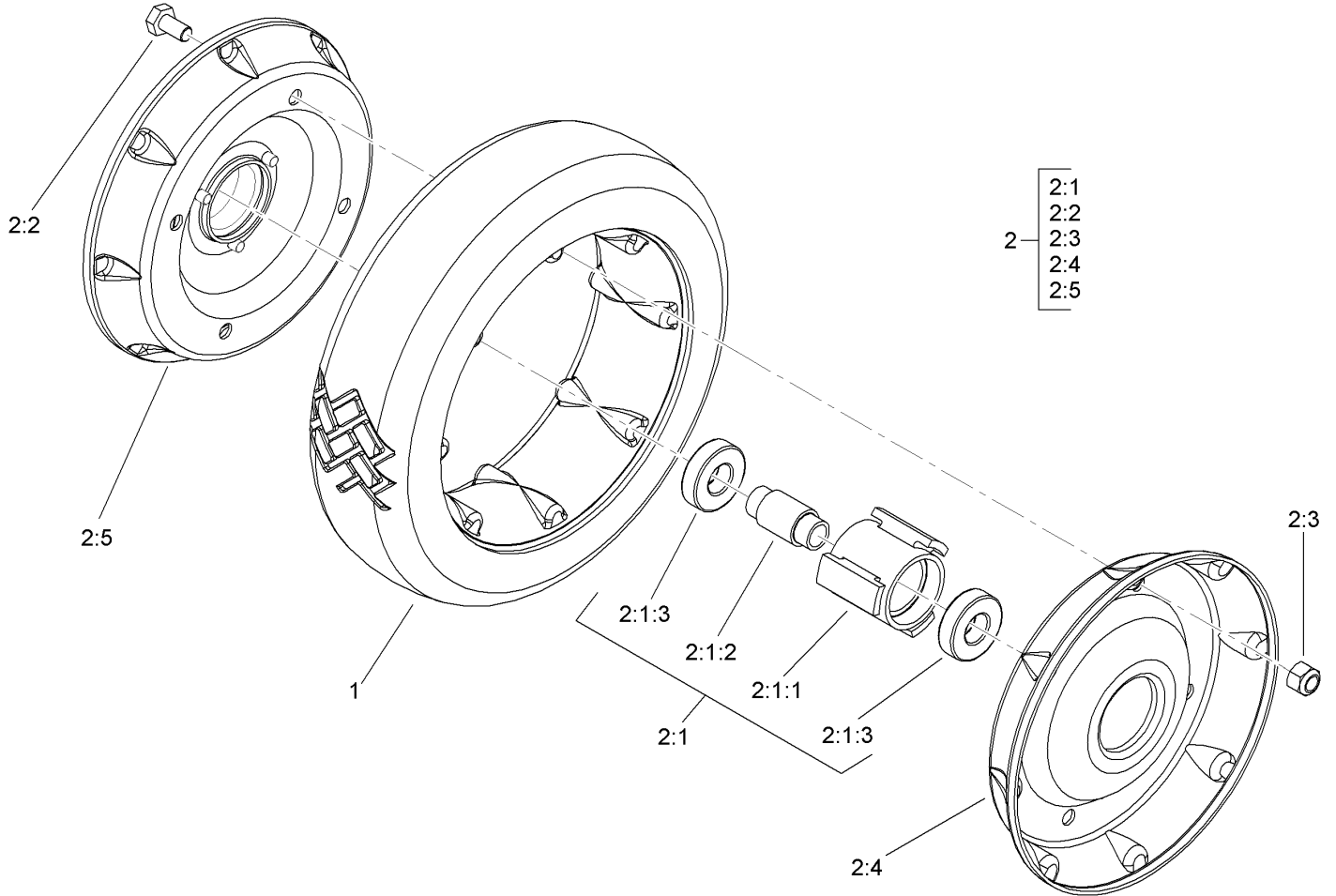
Ref	Part No.	Qty.	Description
25	3296-42	4	Nut-Lock, NI
26	3296-58	2	Nut-Lock, NI
27	106-0690	1	Decal-Traction
28	77-5270	1	Lever-Control
29	61-8270-03	1	Bar-Control
30	103-2683	1	Cable-Brake
31	46-6980	1	Support-Cable
32	3256-22	1	Washer-Flat
33	48-2810	1	Rod-Support, Bag
34	100-3297-03	1	Latch-Handle, RH
35	46-7030	1	Retainer-Cable
36	74-1791	1	Cable-Traction
37	106-0888	1	Throttle Cable ASM
38	74-1970	1	Decal-Position, Gear
39	32151-86	2	E-Ring
41	98-4387	1	Decal-Protection, Ear
42	27-7211	1	Screw-Shoulder
43	3256-23	2	Washer-Flat



Rear Drive and Wheel Assembly

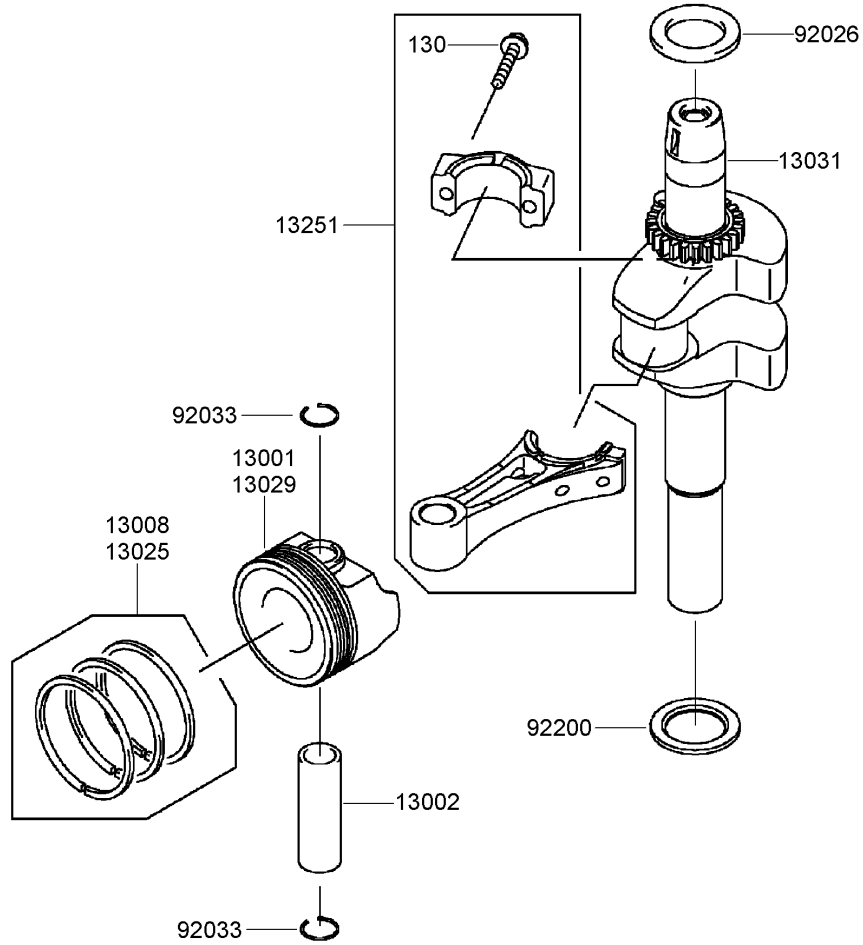
Ref	Part No.	Qty.	Description
1	36-8070	1	V-Belt
2	32151-36	2	Ring-Retaining
3	74-1810	2	Washer
4	48-2170	2	Cap-End
5	32152-2	2	Nut-Lock, Cone
6	62-3830	2	Washer-Thrust, Outer
7	39-9160	2	Gear-Pinion
8	74-1640	2	Cover-Wheel
9	100-2860	2	Wheel And Tire ASM
10	323-13	2	Screw-HH
11	74-1650	2	Spacer-Cover, Wheel
12	39-9650	2	Spring-Compression
13	612066	2	Key
14	32151-68	4	Ring-Retaining
15	49-7700	2	Washer-Thrust, Outer
16	74-1851	2	Pivot Arm ASM
16:1	47-6730	1	Seal-Oil
16:2	48-2060	1	Bearing-Roller
16:3	52-2450	1	Bearing-Wheel
16:5	92-6316	1	Zerk
17	110-0538	2	Rear Spring Arm ASM
18	110-0549	2	Knob-HOC
19	74-1960	1	Lever-Shift
20	32121-99	1	Pin-Coil

Ref	Part No.	Qty.	Description
●99	106-0975	1	Grass Bag ASM



Rear Wheel Assembly No. 100-2860

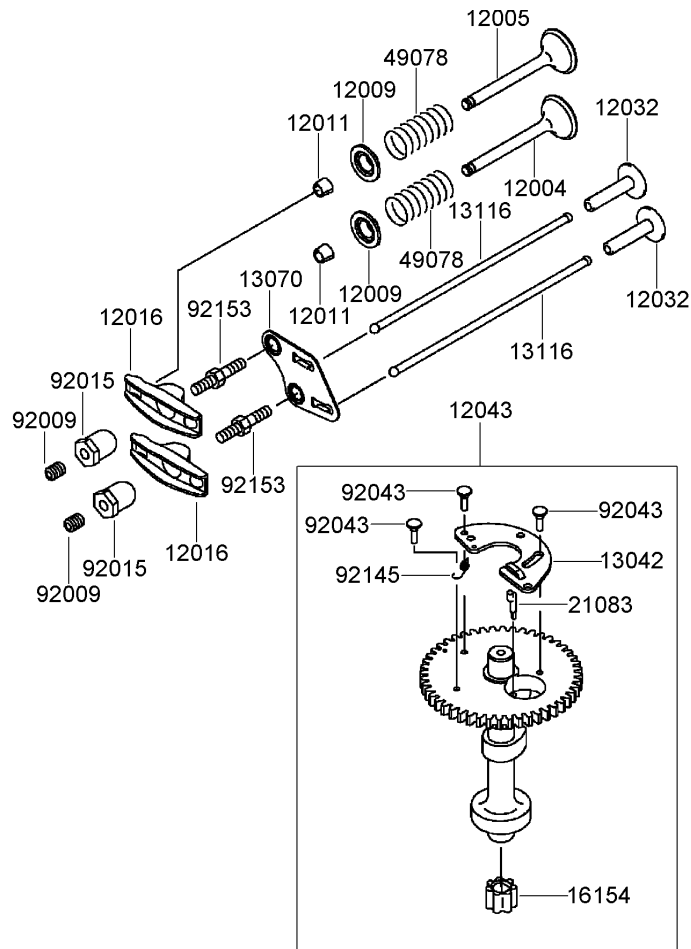
Ref	Part No.	Qty.	Description
1	53-7740	1	Tire
2		1	Wheel ASM
2:1		1	Hub And Bearing ASM
2:1:1	52-2410	1	Hub-Bearing
2:1:2	52-2440	1	Spacer-Bearing
2:1:3	52-2450	2	Bearing-Wheel
2:2	321-2	4	Screw-HH
2:3	3296-42	4	Nut-Lock, NI
2:4	53-7780-06	1	Plate-Wheel, Half
2:5	92-4957-06	1	Wheel Half And Gear ASM



Piston and Crankshaft Assembly Kawasaki FJ180V-AS31

Ref	Part No.	Qty.	Description
①13001	13001-7022	1	Piston-Engine
①13002	13002-7001	1	Pin-Piston
①13008	13008-7002	1	Ring Set-Piston
①13025	13025-7006	1	Ring Set-Piston (L 0.50)
①13029	13029-7005	1	Piston-Engine (L 0.50)
①13031	13031-7078	1	Crankshaft
①13251	13251-7011	1	Connecting Rod ASM
①92026	92026-7020	1	Spacer
①92033	92033-7002	2	Ring-Snap
①92200	92200-7042	1	Washer (28X41.5X2.5)
①130	130G0630	2	Bolt-Flanged (6X30)

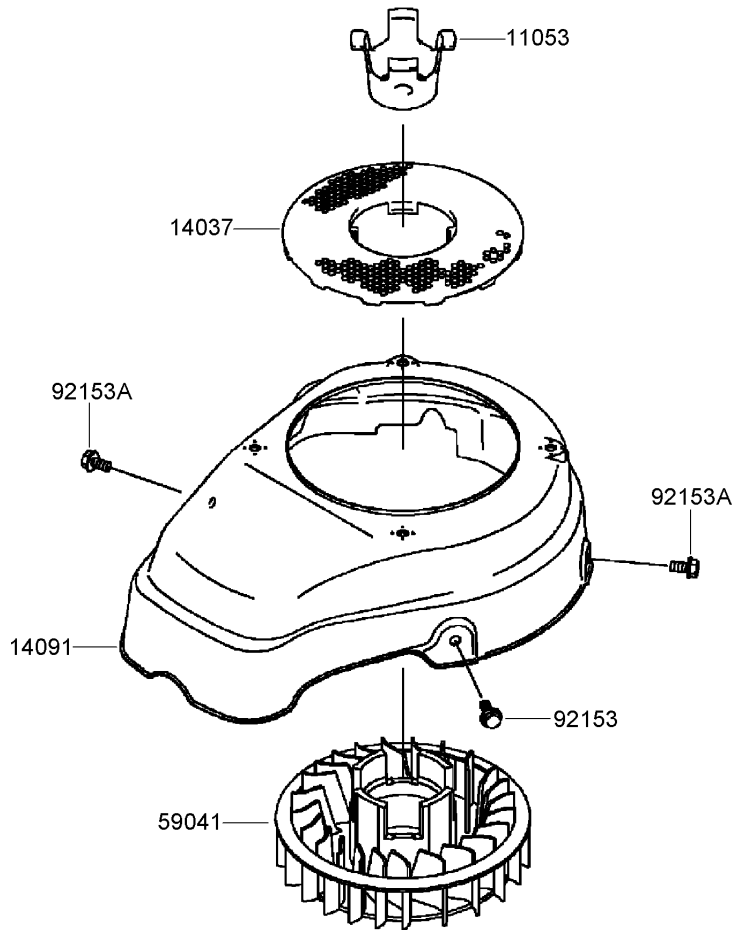
--	--	--	--



Valve and Camshaft Assembly Kawasaki FJ180V-AS31

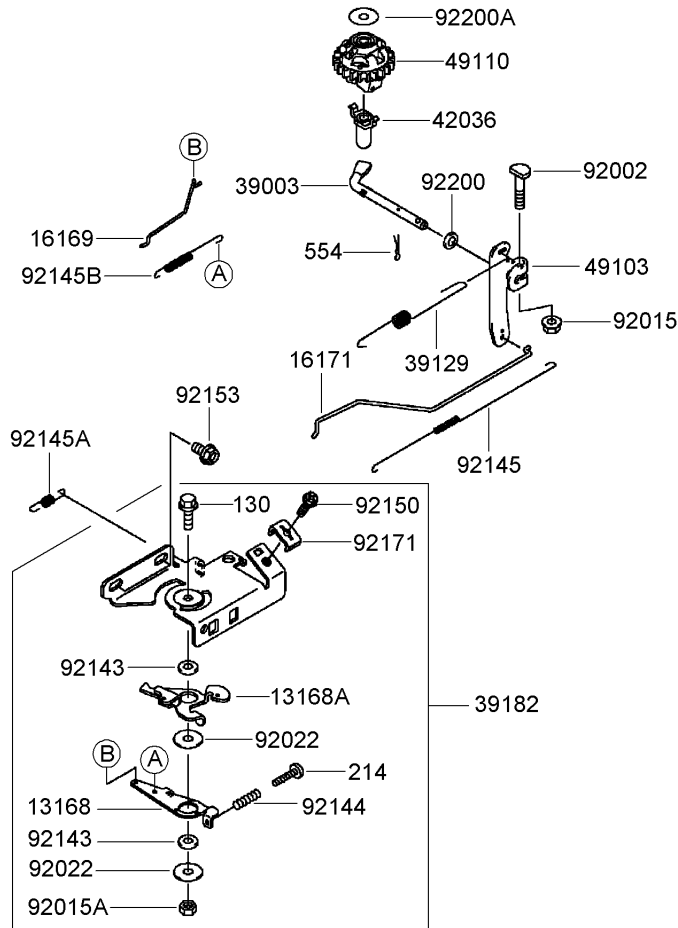
Ref	Part No.	Qty.	Description
⑤12004	12004-7005	1	Valve-Intake
⑤12005	12005-7006	1	Valve-Exhaust
⑤12009	12009-7001	2	Retainer-Spring, Valve
⑤12011	12011-2056	4	Collet
⑤12016	12016-7008	2	Arm-Rocker
⑤12032	12032-7001	2	Tappet
⑤12043	12043-7005	1	Camshaft Valve ASM
⑤13042	13042-7006	1	Weight
⑤13070	13070-7009	1	Guide
⑤13116	13116-7003	2	Rod-Push
⑤16154	16154-7004	1	Rotor-Pump
⑤21083	21083-7009	1	Arm
⑤49078	49078-7001	2	Spring-Valve, Engine
⑤92009	92009-2341	2	Screw
⑤92015	92015-2253	2	Nut
⑤92043	92043-7006	3	Pin
⑤92145	92145-7016	1	Spring
⑤92153	92153-7019	2	Bolt

--	--	--	--



Cooling Equipment Assembly Kawasaki FJ180V-AS31

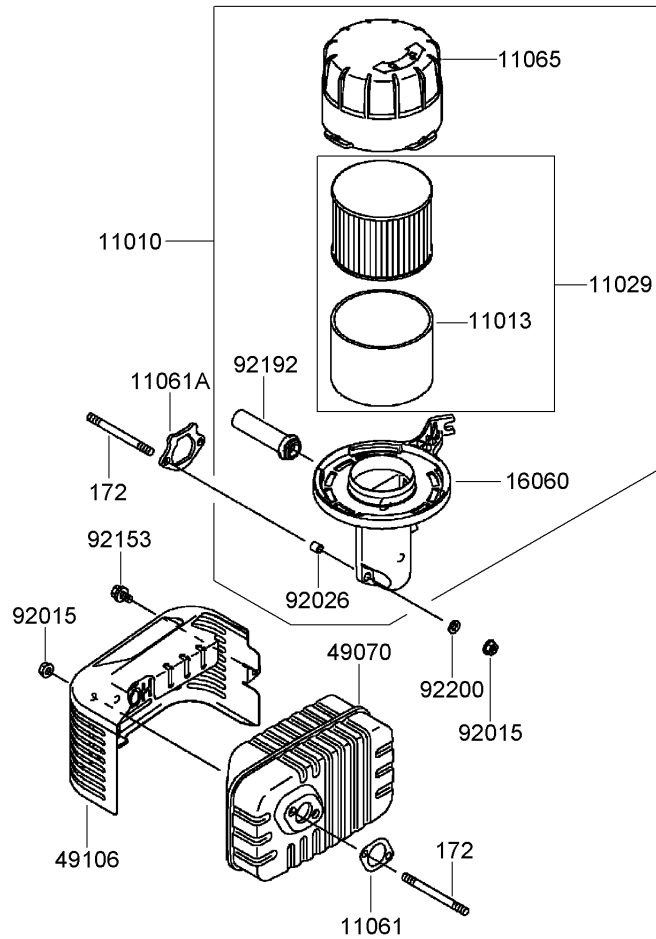
Ref	Part No.	Qty.	Description				
● 11053	11053-7009	1	Bracket, Fan				
● 14037	14037-7017	1	Screen				
● 14091	14091-7053	1	Cover				
● 59041	59041-7009	1	Fan				
● 92153	92153-7007	1	Bolt				
● 92153A	92153-7043	2	Bolt (6X12)				



Control Equipment Assembly Kawasaki FJ180V-AS31

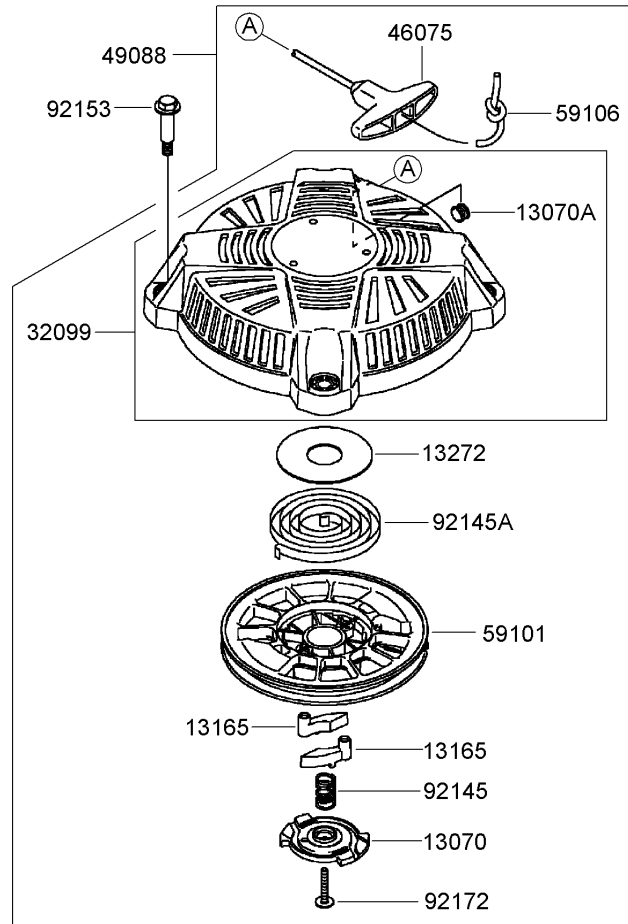
Ref	Part No.	Qty.	Description
●13168	13168-7028	1	Lever
●13168A	13168-7032	1	Lever
●16169	16169-7015	1	Link-Choke
●16171	16171-7015	1	Link-Throttle
●39003	39003-7002	1	Arm-Pivot
●39129	39129-7014	1	Spring-Governor
●39182	39182-7007	1	Panel-Assy-Control
●42036	42036-2051	1	Sleeve
●49103	49103-7005	1	Arm-Governor
●49110	49110-7002	1	Governor ASM
●92002	92002-2269	1	Bolt (6X28)
●92015	92015-1193	1	Nut
●92015A	92015-2051	1	Nut
●92022	92022-2372	2	Washer (6X19X1.2)
●92143	92143-2135	2	Collar (6X13X2.3)
●92144	92144-2266	1	Spring
●92145	92145-7025	1	Spring-Throttle
●92145A	92145-7032	1	Spring
●92145B	92145-7043	1	Spring
●92150	92150-2182	1	Bolt (5X18)
●92153	92153-7043	2	Bolt (6X12)
●92171	92171-7016	1	Clamp
●92200	92200-2029	1	Washer (6.5X11.5X2.0)
●92200A	92200-2036	1	Washer (6.2X20X0.5)

Ref	Part No.	Qty.	Description
●130	130B0618	1	Bolt-Flanged
●214	214B0420	1	Screw-Pan +- (4X20)
●554	554A0600	1	Pin-Snap (1.2X21.2)



Air Filter and Muffler Assembly Kawasaki FJ180V-AS31

Ref	Part No.	Qty.	Description
①11010	11010-7021	1	Air Filter ASM
①11013	11013-7037	1	Element-Filter, Air
①11029	11029-7023	1	Air Filter Element ASM
①11061	11061-7029	1	Gasket-Muffler
①11061A	11061-7075	1	Gasket-Pipe, Intake
①11065	11065-7018	1	Cap
①16060	16060-7026	1	Pipe-Intake
①49070	49070-7022	1	Muffler
①49106	49106-7021	1	Cover-Muffler
①92015	92015-1193	4	Nut
①92026	92026-7021	2	Spacer
①92153	92153-7023	1	Bolt (6X10)
①92192	92192-7083	1	Tube
①92200	92200-7022	2	Washer
①172	172G0680	4	Bolt-Stud (6X80)



Starter Assembly Kawasaki FJ180V-AS31

Ref	Part No.	Qty.	Description				
● 13070	13070-7014	1	Guide				
● 13070A	13070-7015	1	Guide				
● 13165	13165-7002	2	Pawl-Starter, Recoil				
● 13272	13272-7001	1	Plate				
● 32099	32099-7004	1	Case-Starter, Recoil				
● 46075	46075-7002	1	Grip				
● 49088	49088-7025	1	Starter-Recoil				
● 59101	59101-7002	1	Reel-Starter, Recoil				
● 59106	59106-7003	1	Rope (2200Mm)				
● 92145	92145-7052	1	Spring				
● 92145A	92145-7054	1	Spring				
● 92153	92153-7021	4	Bolt (M6)				
● 92172	92172-7030	1	Screw				

