



## Grapple Rake Compact Utility Loaders

Model No. 22521 - 270000001 and up.

### Parts Catalog

---

#### Ordering Replacement Parts

To order replacement parts, please supply the part number, the quantity, and the description of each part desired.

#### Understanding Reference Numbers

Each identified part in an illustration has a reference number. The reference number for a part also appears in the parts list, along with other information about the part.

This catalog uses two special reference number formats, one to indicate parts in a service assembly and another to indicate the quantity of a given part in an illustration.

#### Service Assembly Reference Numbers

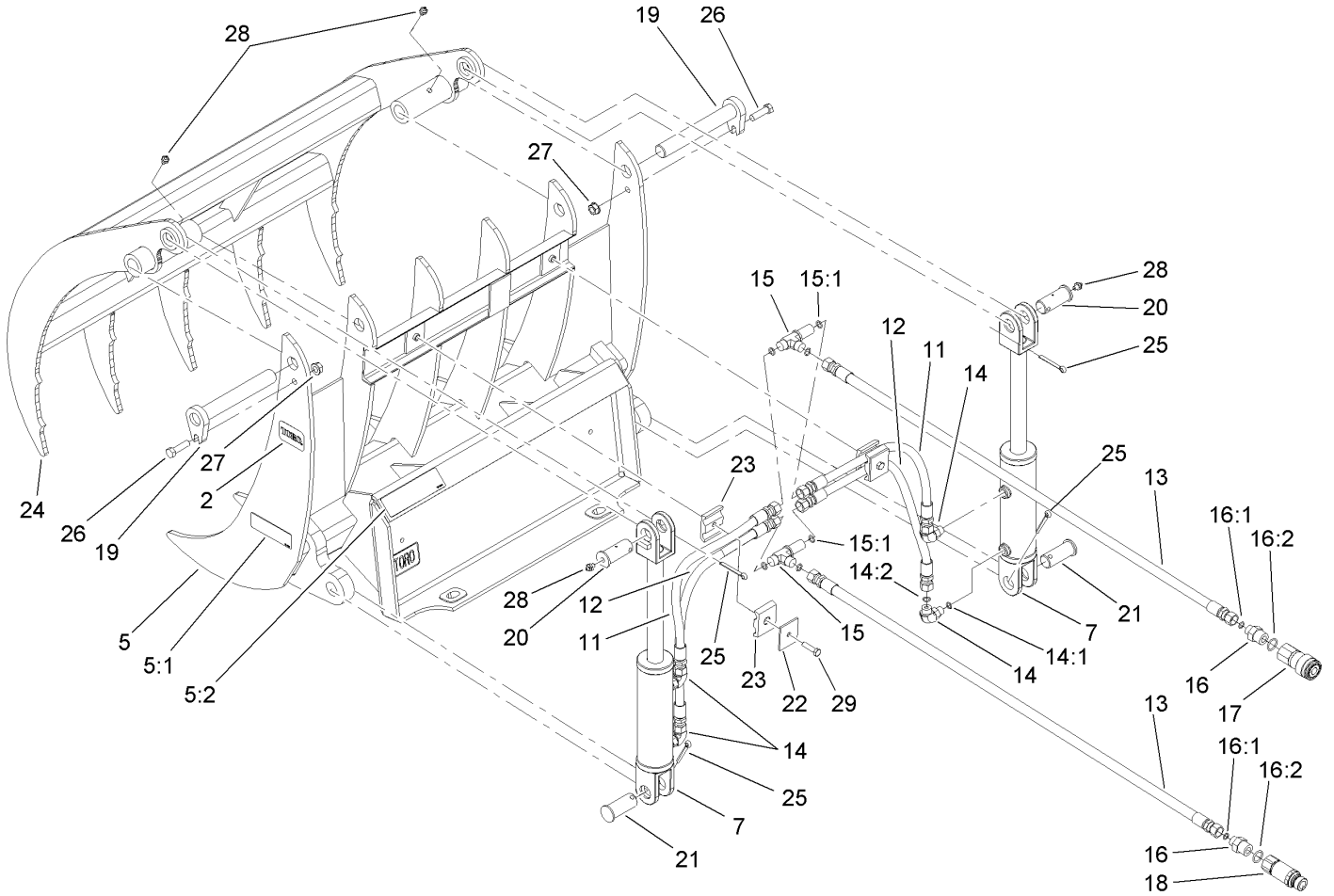
Parts in service assemblies have reference numbers in the form a:b. The a represents the reference number of the entire service assembly and the b represents a sequential number unique to each part within the service assembly.

For example, a wheel assembly might be identified by reference number 6, the tire by 6:1, the valve by 6:2, and the wheel by 6:3. When you order the assembly identified by reference number 6, you receive all parts identified by reference numbers 6:1, 6:2, and 6:3. However, you may also order any part individually. Reference numbers of this type appear in illustrations and in part lists.

#### Reference Numbers Indicating Quantity

In an illustration, if a reference number indicates more than one part, the reference number has the form nX y. The n represents the quantity of the part, the X is the multiplication symbol, and the y represents the reference number.

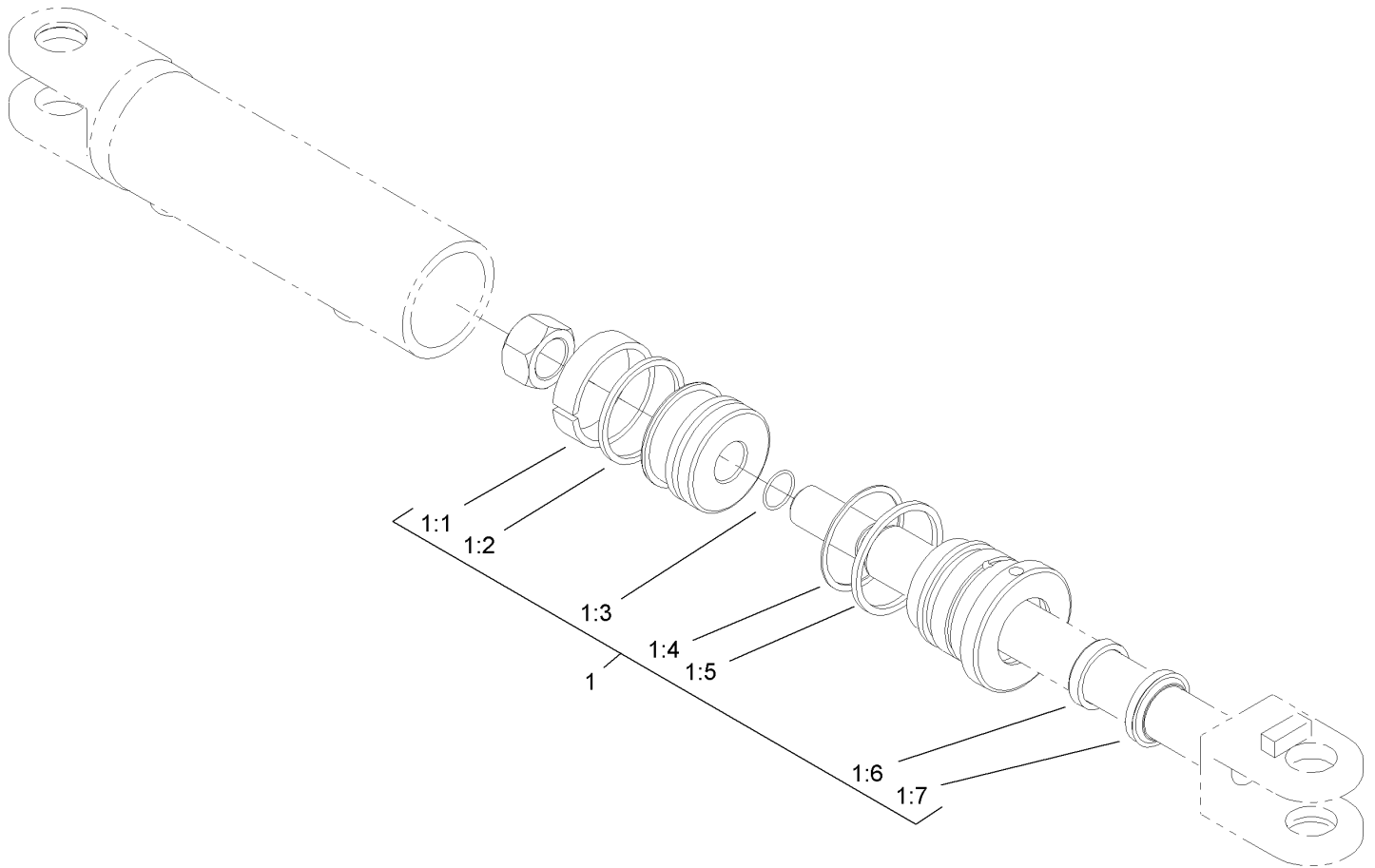
For example, in an illustration, the reference number 2X 37 means that two of the parts identified by reference number 37 are indicated.



## Grapple Rake Assembly

Ref	Part No.	Qty.	Description
2	98-3206	2	Decal
5	114-1298	1	Bottom Grapple Rake ASM
5:1	114-1281	2	Decal-Warning
5:2	114-1280	1	Decal-Capacity
7	114-1302	2	Cylinder-HYD
11	114-1309	2	Hose ASM-HYD
12	114-1310	2	Hose ASM-HYD
13	114-1311	2	Hose ASM-HYD
14	340-77	4	Fitting-HYD, 90 DEG
14:1	237-22	1	O-Ring
14:2	237-42	1	O-Ring
15	340-68	2	Fitting-Tee, Bulkhead
15:1	237-22	3	O-Ring
16	340-141	2	Fitting-HYD, Straight
16:1	237-22	1	O-Ring
16:2	237-80	1	O-Ring
17	104-6134	1	Coupler-Face, Flush
18	100-4701	1	Nipple-Connect, Pressure
18:1	100-6120	1	Seal Kit (Not Illustrated)
19	114-1312	2	Pin-Flag
20	114-1313	2	Pin-Cylinder, Greaseable
21	114-1314	2	Pin-Cylinder
22	114-1315	2	Guide-Hose, Plate
23	114-1316	4	Guide-Hose, Half

Ref	Part No.	Qty.	Description
24	114-1301	1	Tines-Grapple, Top
25	3272-33	4	Pin-Cotter
26	324-6	2	Screw-HH
27	32128-37	2	Nut-HF
28	302-2	4	Fitting-Grease
29	322-6	2	Screw-HH



## Hydraulic Cylinder Assembly No. 114-1302

Ref	Part No.	Qty.	Description
1	114-1303	1	Kit-Seal, Cylinder
1:1		1	Ring-Wear (Not Serviced Separately)
1:2		1	Seal-Psp (Not Serviced Separately)
1:3		1	O-Ring (Not Serviced Separately)
1:4		1	O-Ring (Not Serviced Separately)
1:5		1	Washer-Backup (Not Serviced Separately)
1:6		1	Polypak (Not Serviced Separately)
1:7		1	Wiper-Rod (Not Serviced Separately)

