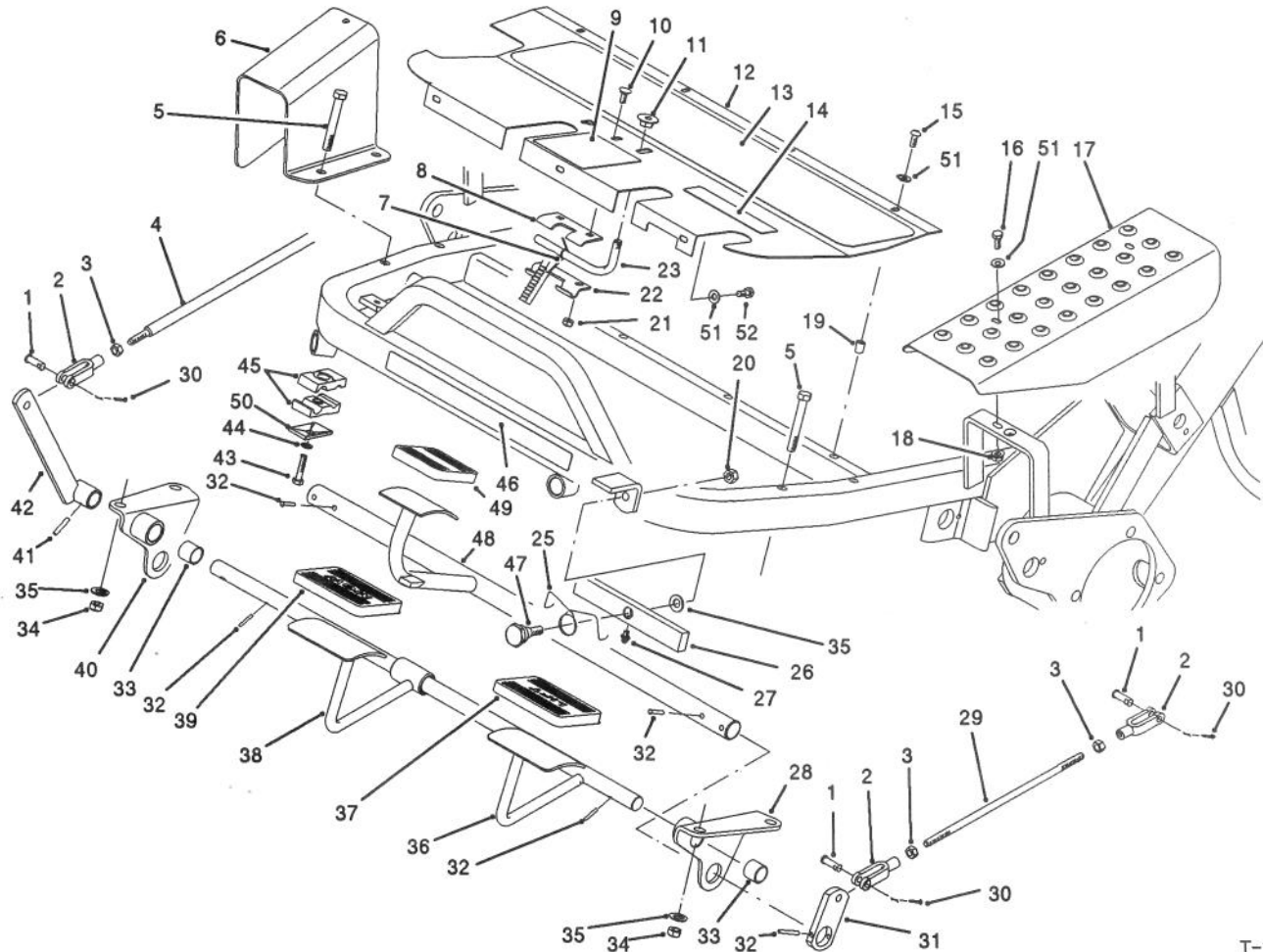




MODEL NO. 04353-20001 & UP

PARTS
CATALOGGREENSMASTER® 3100
TRACTION UNIT WITH ACCESSORIES

T-1285

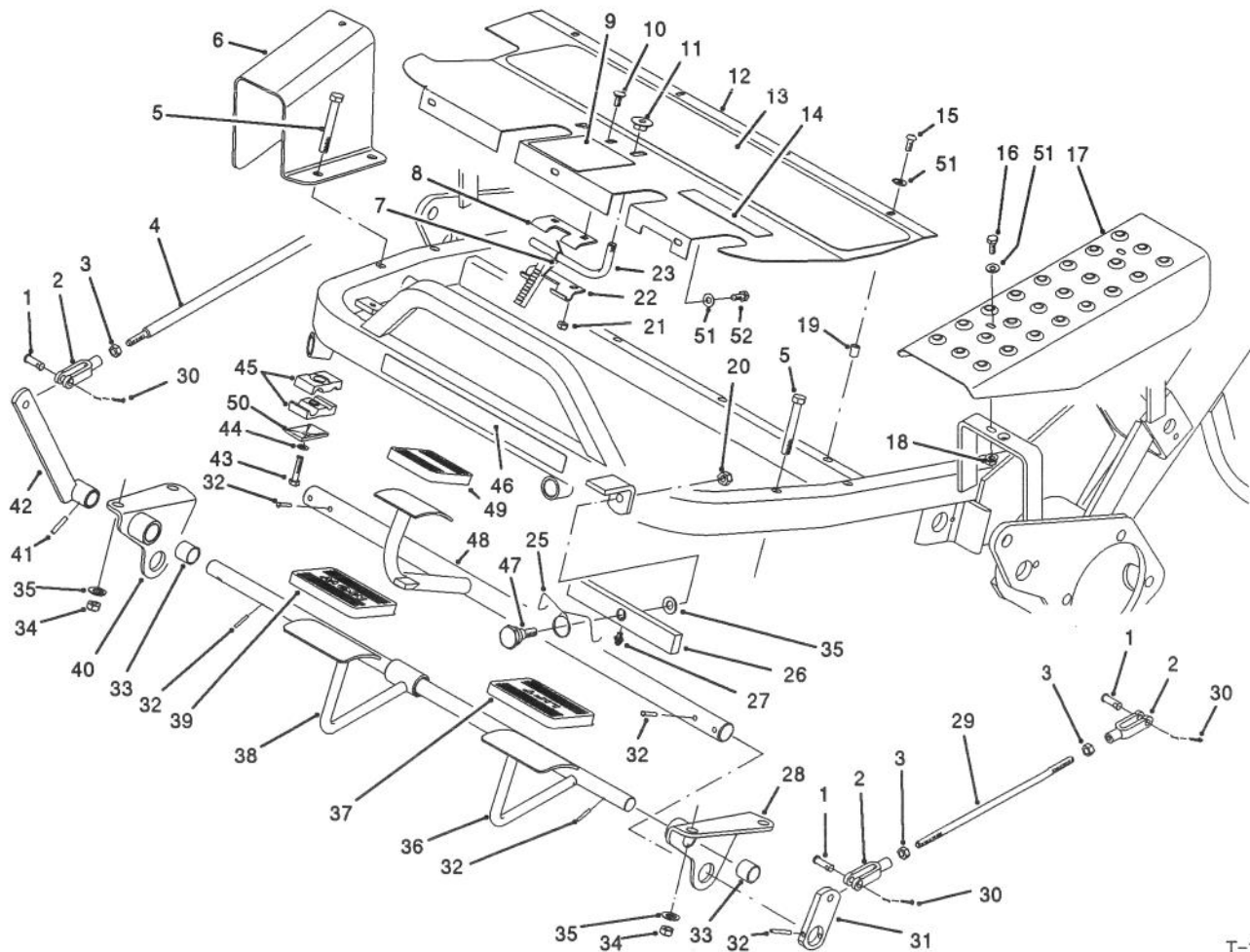
CONTROL PEDAL ASSEMBLY

Ref. No.	Part No.	Description	No. Used
1	283-61	Pin - Clevis	5
2	282-2	Clevis - Adjusting	5
3	3220-2	Nut - Jam	5
4	49-5430	Rod - Control	1
5	323-13	Screw - Cap Hex. Hd.	4
6	49-6110	Guard - Transfer Rod	1
7	10-8140	Spring - Torsion	1
8	10-7880	Hinge - Upper	1
‡9	27-2830	Decal - Parking Brake	1
10	3229-22	Bolt - Carriage	2
11	32141-111	Nut Flange Lock	1
12	83-0640	Plate - Footrest	1
13	49-6120	Pad - Footrest	1
‡14	51-0050	Decal - Mow/Lift	1
15	3274-31	Screw - Hex. Socket Hd.	4
16	321-4	Screw - Hex. Flange Hd.	2
17	83-0200	Cover - L.H.	1

Ref. No.	Part No.	Description	No. Used
18	32128-14	Nut - Flange Lock	2
19	32148-6	Insert - Threaded	8
20	3290-357	Nut - Lock	1
21	3296-42	Nut - Lock	2
22	10-7890	Hinge - Lower	1
23	10-7850	Latch - Parking Brake	1
25	83-0080	Spring - Torsion	1
26	83-0060	Lift - Pivot	1
27	302-5	Fitting - Grease	1
28	49-6090	Lift Pivot Bracket Assy. L.H. (Incl. Ref. #33)	1
29	27-2270	Rod - Brake Adjusting	2
30	3272-6	Pin - Cotter	5
31	10-8100	Strap - Brake Shaft	2
32	32121-35	Pin - Roll	8
33	256-32	Bushing - Sleeve	2
34	3296-59	Nut - Lock	4

‡For different language versions of this part, see International Decal Cross Reference.

TPS

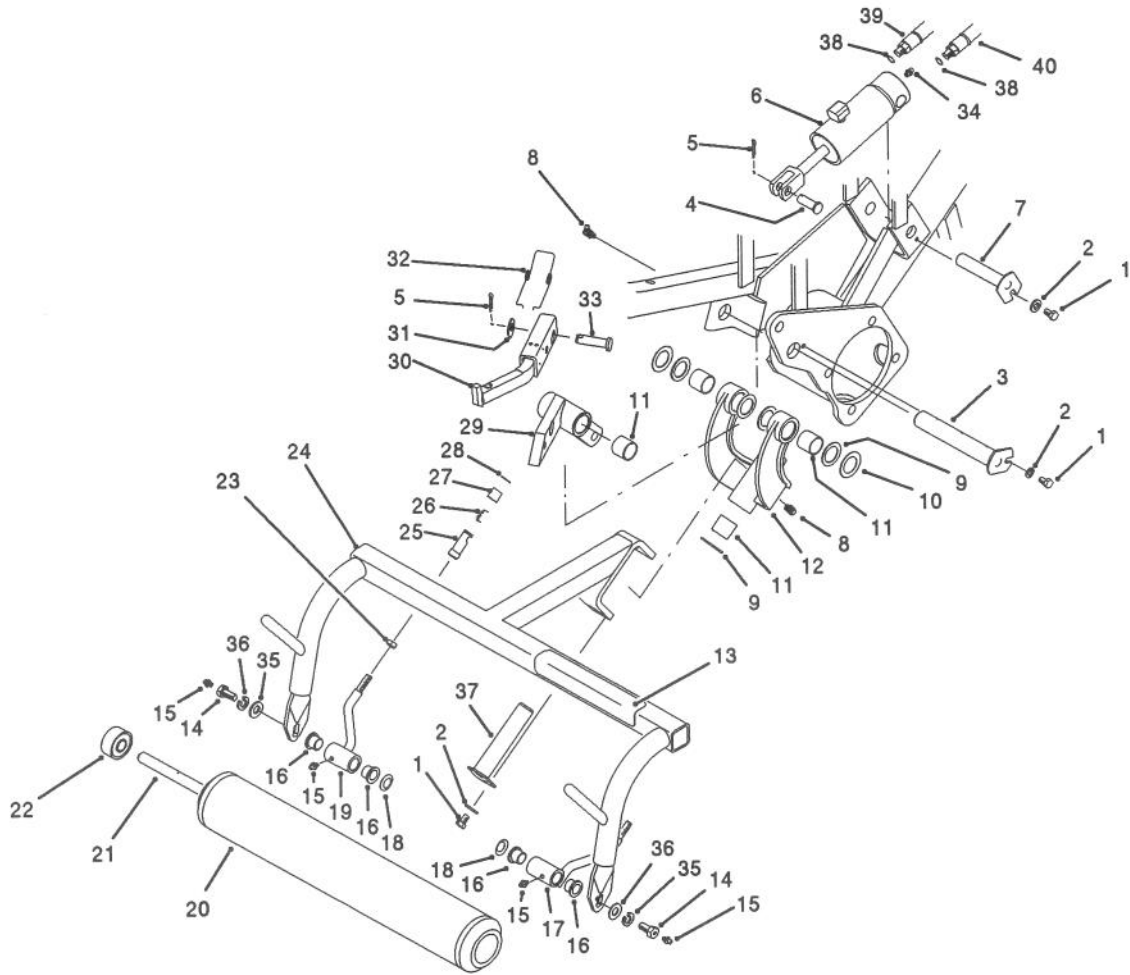


T-1285

CONTROL PEDAL ASSEMBLY (Continued)

Ref. No.	Part No.	Description	No. Used
35	3256-24	Washer - Flat	5
36	83-0180	Shaft - Cutting Control	1
37	10-8240	Pad - Lift	1
38	83-0140	Pedal - Mow	1
39	10-8250	Pad - Mow	1
40	49-6070	Lift Pivot Bracket Assy. R.H. (Incl. Ref. #33)	1
41	32121-6	Pin - Roll	1
42	49-6200	Lever - Cutting Control	1
43	321-11	Screw - Cap Hex. Hd.	1

Ref. No.	Part No.	Description	No. Used
44	3253-3	Washer - Lock	1
45	56-7970	Clamp Half - Tube	2
46	83-1240	Decal - Greensmaster 3100	1
47	83-2590	Bolt - Shoulder	1
48	83-0160	Shaft - Brake	1
49	49-6170	Pad - Brake	1
50	69-9760	Plate - Cover	1
51	3256-22	Washer - Flat	10
52	321-3	Screw - Cap Hex. Hd.	3

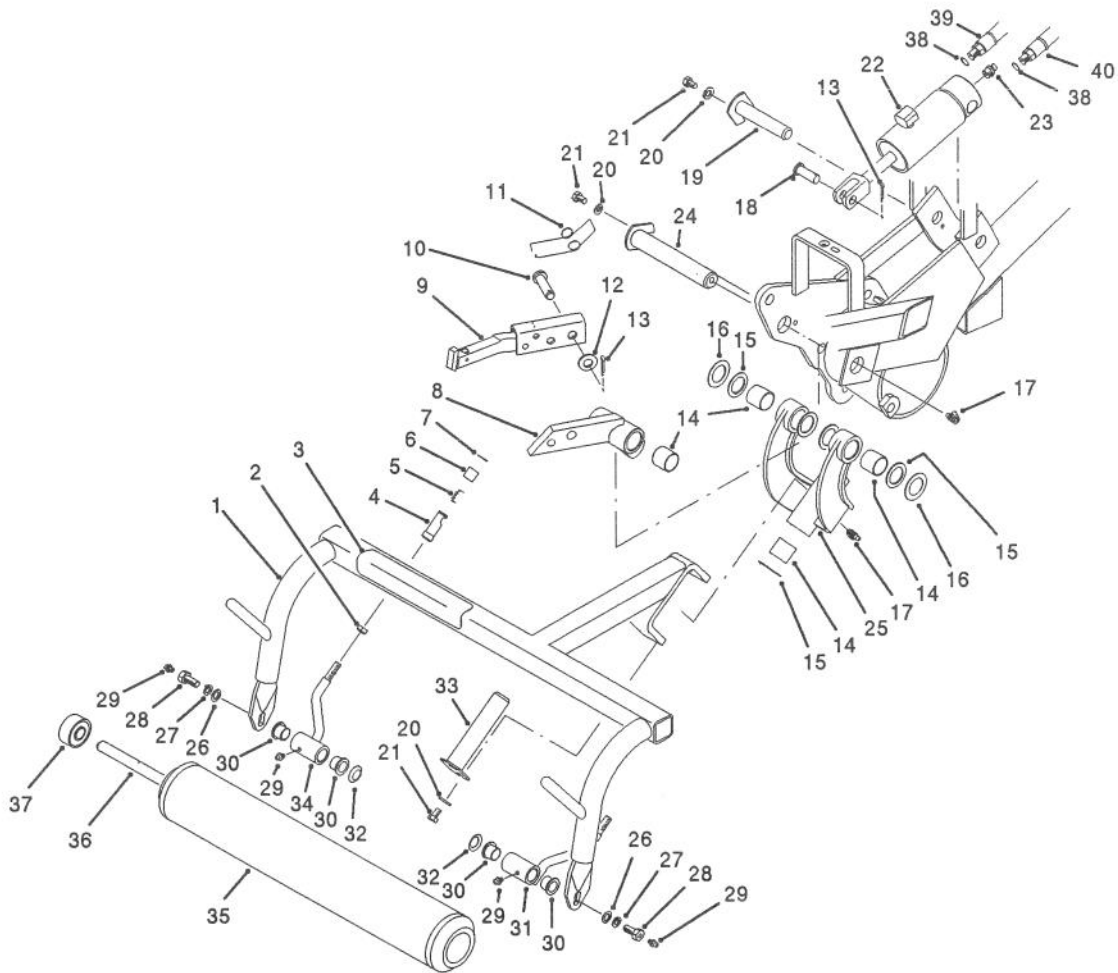


T-1283

PULL FRAME ASSEMBLY L.H.

Ref. No.	Part No.	Description	No. Used	Ref. No.	Part No.	Description	No. Used
1	322-1	Screw - Cap Hex. Hd.	3	21	21-8470	Shaft - Roller	1
2	3256-23	Washer - Flat	3	22	251-141	Bearing - Ball	2
3	10-6110	Pin - Hinge	1	23	3220-3	Nut - Jam	2
4	283-8	Pin - Clevis	1	24	83-0090	Frame - Pull L.H.	1
5	3272-11	Pin - Cotter	2	25	8-7710	Ball Joint Receiver Assy. (Incl. Ref. #26-28)	2
6	83-2580	Cylinder - Lift	1	26		Spring - Compression	2
7	10-6060	Pin - Lift Cylinder	1	27		Sleeve	2
8	302-60	Fitting - Grease 90°	2	28		Ring - Retaining	2
9	10-8110	Washer - Thrust	6	29	62-2460	Lift Arm Assembly L.H. (Incl. Ref. #11)	1
10	5-1226	Washer - Shim	2	30	62-2390	Bar - Lift L.H.	1
11	3-0348	Bushing - Sleeve	6	31	3256-26	Washer - Flat	1
12	10-7820	Pivot Hinge Assembly (Incl. Ref. #11)	1	32	57-7650	Spring - Torsion	1
‡13	62-5070	Decal - Danger	1	33	63-8750	Pin - Pivot	1
14	11-0160	Roller Shaft Screw Assy. (Incl. Ref. #15)	2	34	302-2	Fitting - Grease Straight	1
15	302-5	Fitting - Grease Straight	4	35	3253-21	Washer - Lock	2
16	3-1506	Bushing - Flange	4	36	3256-24	Washer - Flat	2
17	52-2740	Pull Arm Assembly L.H. (Incl. Ref. #16)	1	37	10-6090	Pin - Pivot	1
18	3290-317	Washer - Wave	2	38	237-78	Seal - O-Ring	2
19	52-2750	Pull Arm Assembly R.H. (Incl. Ref. #16)	1	39	63-3850	Hose - Hydraulic (Incl. Ref. #38)	1
20	52-2720	Roller Assembly (Incl. Ref. #22)	1	40	83-1690	Hose - Hydraulic (Incl. Ref. #38)	1

‡For different language versions of this part, see International Decal Cross Reference.

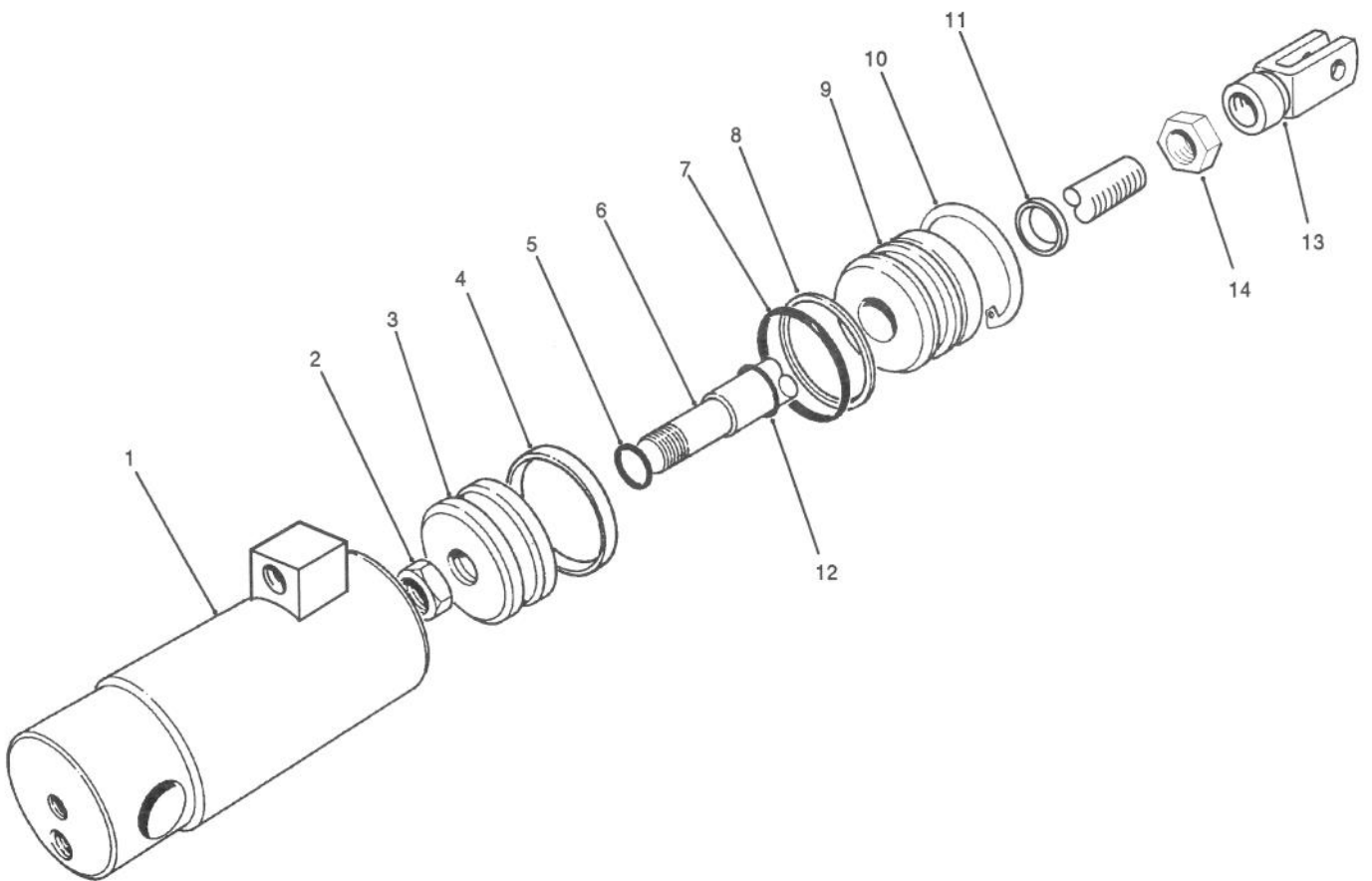


T-1284

PULL FRAME ASSEMBLY R.H.

Ref. No.	Part No.	Description	No. Used	Ref. No.	Part No.	Description	No. Used
1	83-0210	Frame - Pull R.H.	1	24	10-6110	Pin - Pivot	1
2	3220-3	Nut - Jam	2	25	10-7820	Pivot Hinge Assembly (Incl. Ref. #14)	1
‡3	62-5070	Decal - Danger	1	26	3256-24	Washer - Flat	2
4	8-7710	Ball Joint Receiver Assy. (Incl. Ref. #5-7)	2	27	3253-21	Washer - Lock	2
5		Spring - Compression	2	28	11-0160	Roller Shaft Screw Assy. (Incl. Ref. #29)	2
6		Sleeve	2	29	302-5	Fitting - Grease	4
7		Ring - Retaining	2	30	3-1506	Bushing - Flange	4
8	62-2440	Lift Arm Assembly (Incl. Ref. #14)	1	31	52-2740	Pull Arm Assembly L.H. (Incl. Ref. #29 & 30)	1
9	62-2420	Bar - Lift	1	32	3290-317	Washer - Wave	2
10	63-8750	Pin - Pivot	1	33	10-6090	Pin - Pivot	1
11	57-7650	Spring - Torsion	1	34	52-2750	Pull Arm Assembly R.H. (Incl. Ref. #29 & 30)	1
12	3256-26	Washer - Flat	1	35	52-2720	Roller Assembly (Incl. Ref. #37)	1
13	3272-11	Pin - Cotter	2	36	21-8470	Shaft - Roller	1
14	3-0348	Bushing - Sleeve	6	37	251-141	Bearing - Ball	2
15	10-8110	Washer - Thrust	6	38	237-78	Seal - O-Ring	2
16	5-1226	Washer - Shim	2	39	83-1210	Hose - Hydraulic (Incl. Ref. #38)	1
17	302-60	Fitting - Grease 90°	2	40	63-3880	Hose - Hydraulic (Incl. Ref. #38)	1
18	283-8	Pin - Clevis	1				
19	10-6060	Pin - Pivot	1				
20	3256-23	Washer - Flat	3				
21	322-1	Screw - Cap Hex. Hd.	3				
22	83-2580	Hydraulic Cylinder Assy.	1				
23	302-2	Fitting - Grease	1				

‡For different language versions of this part, see International Decal Cross Reference.



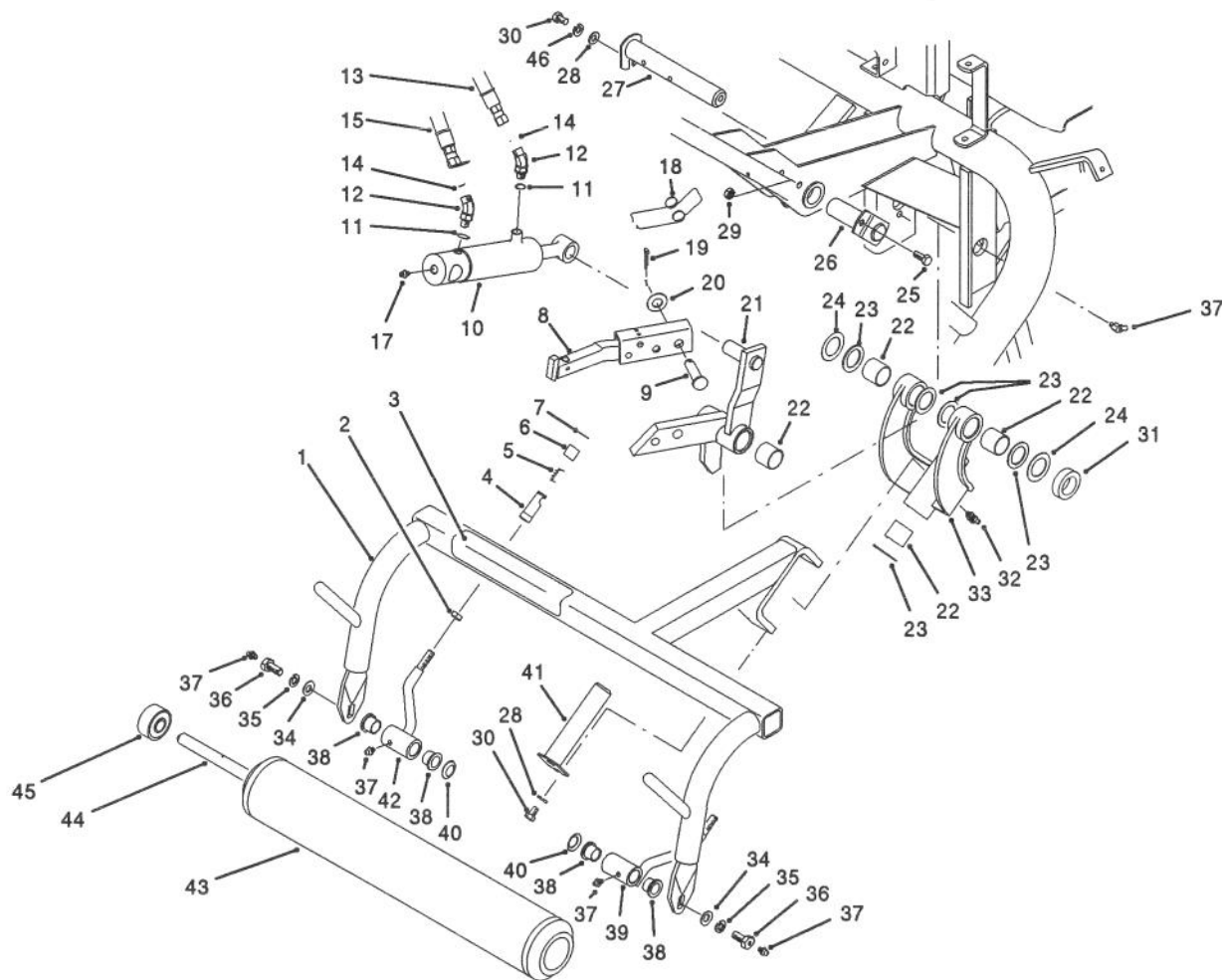
T-1246

HYDRAULIC CYLINDER ASSEMBLY NO. 83-2580

Ref. No.	Part No.	Description	No. Used
1		Barrel	1
2	32152-10	Nut - Lock	1
3	52-1990	Piston	1
4		Uniring	1
5		Seal - O-Ring	1
6	76-1860	Shaft	1
7		Seal - O-Ring	1
8		Washer - Back-Up	1
9	65-4860	Head	1

Ref. No.	Part No.	Description	No. Used
10	32120-8	Ring - Retaining	1
11		Seal - Dust	1
12		Seal - PDF	1
13	76-1850	Clevis	1
14	3220-6	Nut - Jam	1
*	83-7240	Seal Kit (Incl. Ref. #4, 5, 7, 8, 11 & 12)	1

*Not Illustrated

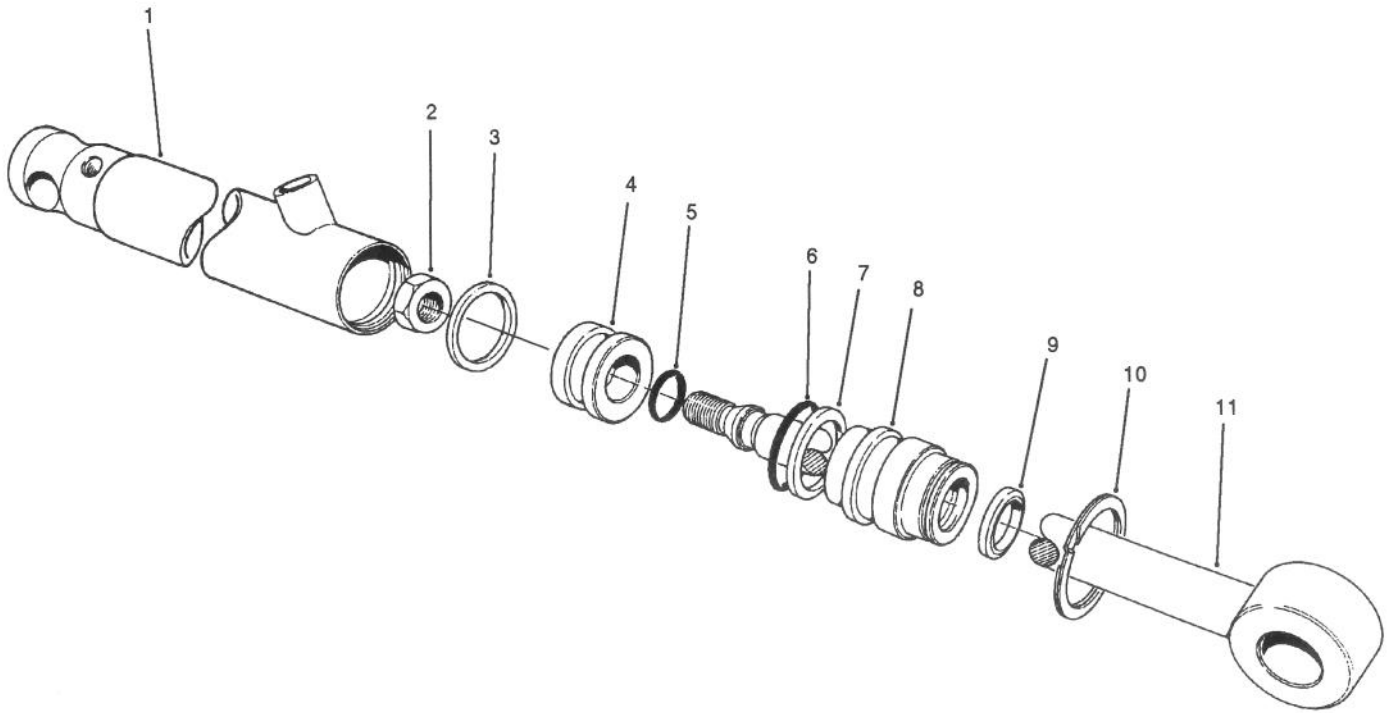


T-1286

PULL FRAME ASSEMBLY REAR

Ref. No.	Part No.	Description	No. Used	Ref. No.	Part No.	Description	No. Used
1	83-0210	Frame - Pull Rear	1	26	68-5560	Pin - Cylinder Pivot	1
2	3220-3	Nut - Jam	2	27	27-2550	Pin - Pivot	1
‡3	62-5070	Decal - Danger	1	28	3256-23	Washer - Flat	2
4	8-7710	Ball Joint Receiver Assy. (Incl. Ref. 5-7)	2	29	3296-29	Nut - Lock	1
5		Spring - Compression	2	30	322-1	Screw - Cap Hex. Hd.	2
6		Sleeve	2	31	27-2540	Spacer - Hub	1
7		Ring - Retaining	2	32	302-60	Fitting - Grease 90°	1
8	62-2420	Bar - Lift	1	33	10-7820	Pivot Hinge Assembly (Incl. Ref. #22)	1
9	63-8750	Pin - Pivot	1	34	3256-24	Washer - Flat	2
10	83-7230	Hydraulic Cylinder Assembly	1	35	3253-21	Washer - Lock	2
11	237-35	Seal - O-Ring	2	36	11-0160	Roller Shaft Screw Assy. (Incl. Ref. #37)	2
12	340-103	Fitting - Hydraulic 45° (Incl. Ref. #12 & 15)	2	37	302-5	Fitting - Grease Straight	5
13	83-1680	Hose - Hydraulic	1	38	3-1506	Bushing - Flange	4
14	237-78	Seal - O-Ring	2	39	52-2740	Pull Arm Assembly L.H. (Incl. Ref. #38)	1
15	84-8260	Hose - Hydraulic	1	40	3290-317	Washer - Wave	2
17	302-2	Fitting - Grease	1	41	10-6090	Pin - Pivot	1
18	57-7650	Spring - Torsion	1	42	52-2750	Pull Arm Assembly R.H. (Incl. Ref. #38)	1
19	3272-11	Pin - Cotter	1	43	52-2720	Roller Assembly (Incl. Ref. #45)	1
20	3256-26	Washer - Flat	1	44	21-8470	Shaft - Roller	1
21	68-5380	Lift Arm Assembly (Incl. Ref. #22)	1	45	251-141	Bearing - Ball	2
22	3-0348	Bushing - Sleeve	6	46	3253-4	Washer - Lock	1
23	10-8110	Washer - Thrust	6				
24	5-1226	Washer - Shim	2				
25	322-3	Screw - Cap Hex. Hd.	1				

‡For different language versions of this part, see International Decal Cross Reference.



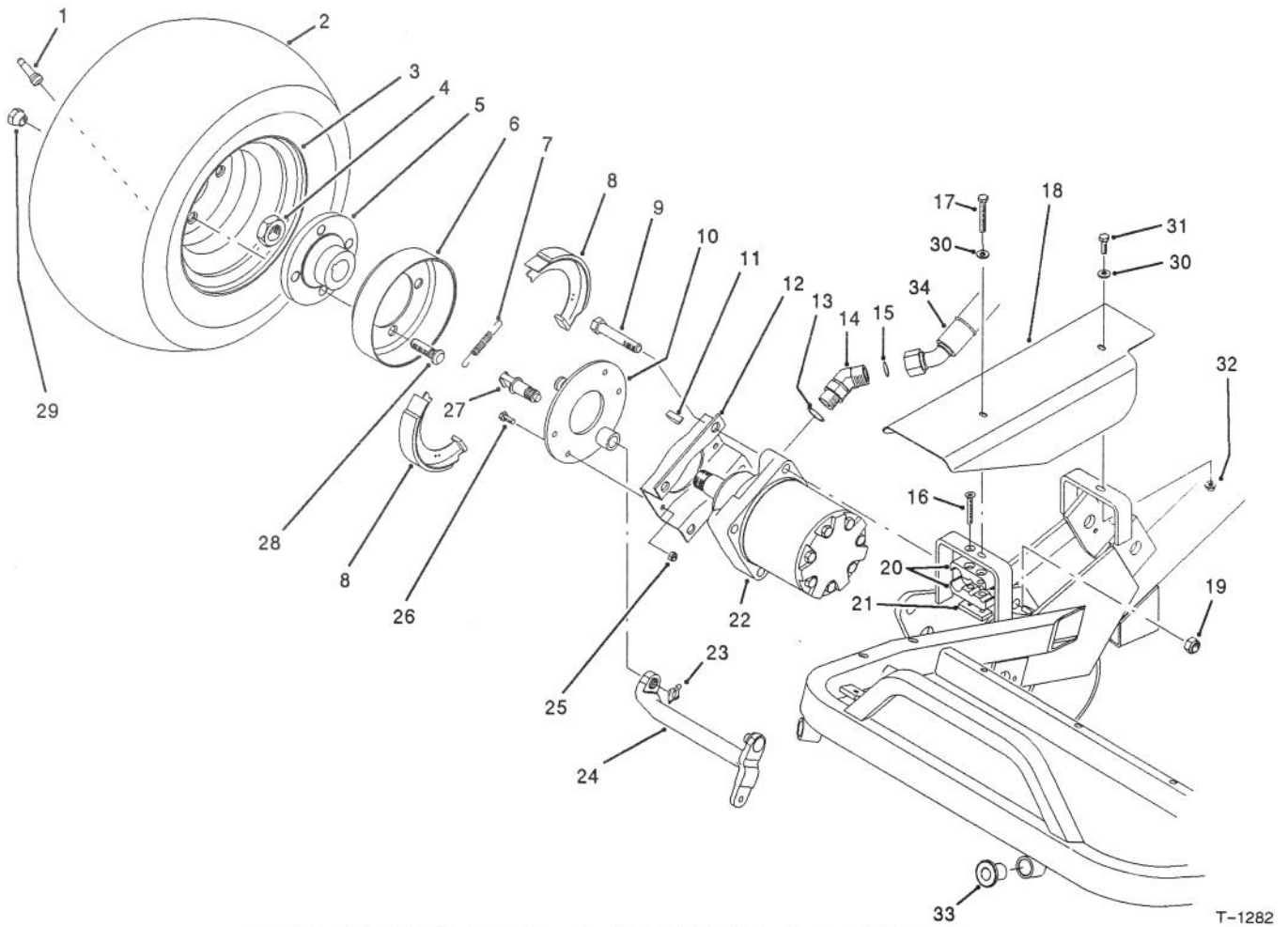
T-0640

HYDRAULIC CYLINDER NO. 83-7230

Ref. No.	Part No.	Description	No. Used
1	70-8130	Barrel	1
2	32152-10	Nut - Hex.	1
3		Uniring	1
7		Washer - Back-Up	1
6		Seal - O-Ring	1
4	70-2780	Piston	1
5		Seal - O-Ring	1

Ref. No.	Part No.	Description	No. Used
8	70-2770	Head	1
9		Seal - Dust	1
10	43-5220	Ring - Retaining	1
11	43-5230	Shaft & Clevis	1
*	83-7250	Repair Kit (Incl. Ref. #3, 5-7 & 9)	1

*Not Illustrated



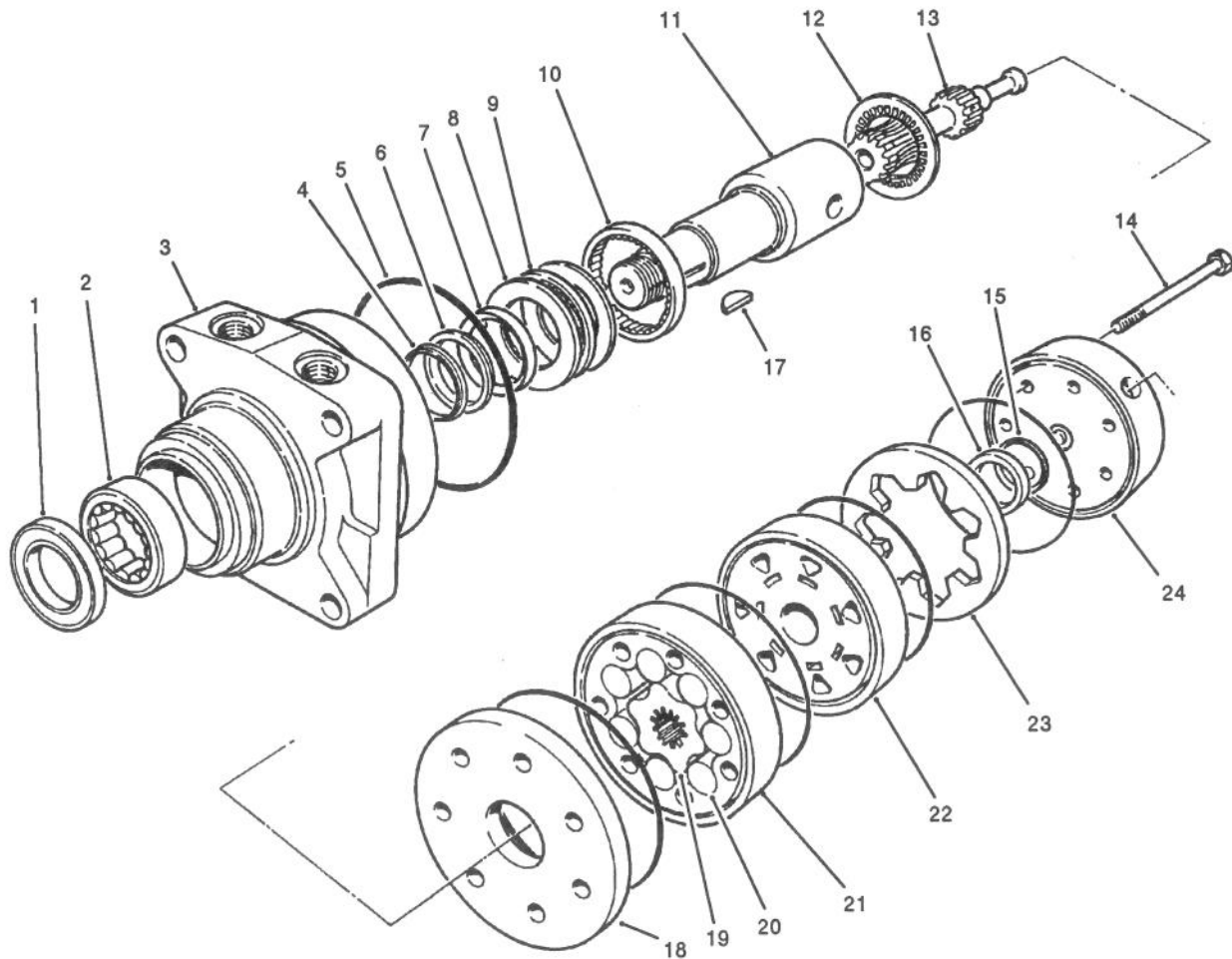
FRONT WHEEL & BRAKE ASSEMBLY

T-1282

Ref. No.	Part No.	Description	No. Used
1	232-24	Stem - Valve	2
2	28-3680	Tire	2
3	217-60	Rim	2
4	26-3790	Nut - Lock	2
5	10-6870	Hub - Wheel	2
6	10-6850	Drum - Brake	2
7	70-9880	Spring - Return	4
8	70-9840	Shoe - Brake	4
9	325-11	Screw - Cap Hex. Hd.	8
10	70-9870	Plate - Backing	2
11	3257-42	Key - Woodruff	2
12	84-2000	Bracket - Brake	2
13	237-80	Seal - O-Ring	2
14	340-14	Fitting - Hydraulic 45° (Incl. Ref. #13 & 15)	4
15	237-65	Seal - O-Ring	2
16	3289-20	Screw - Flat Hd.	2
17	321-11	Screw - Hex. Washer Hd.	1
18	83-0190	Cover - R.H.	1
19	3296-23	Nut - Lock	8
20	57-6140	Clamp Half - Tube	2

Ref. No.	Part No.	Description	No. Used
21	83-1220	Plate - Clamp	1
22	75-9990	Motor - Hydraulic	2
23	70-9850	Clip - Retaining	2
24	71-1510	Arm - Brake	2
25	3296-42	Nut - Lock	8
26	321-5	Screw - Cap Hex. Hd.	8
27	70-9860	Cam - Brake	2
28	10-6830	Stud - Drive	8
29	242-50	Nut - Lug	8
30	3256-22	Washer - Flat	2
31	321-4	Screw - Cap Hex. Hd.	1
32	32128-14	Nut - Lock	1
33	83-1700	Bushing - Flange	2
34	83-2450	Hose - Hydraulic (Top)	1
*	83-2460	Hose - Hydraulic (Bottom)	1
*	10-6820	Brake Drum Assembly (Incl. Ref. #5, 6 & 28)	2
*	71-1500	Brake Assembly (Incl. Ref. #7, 8, 10, 23 & 27)	2

*Not Illustrated

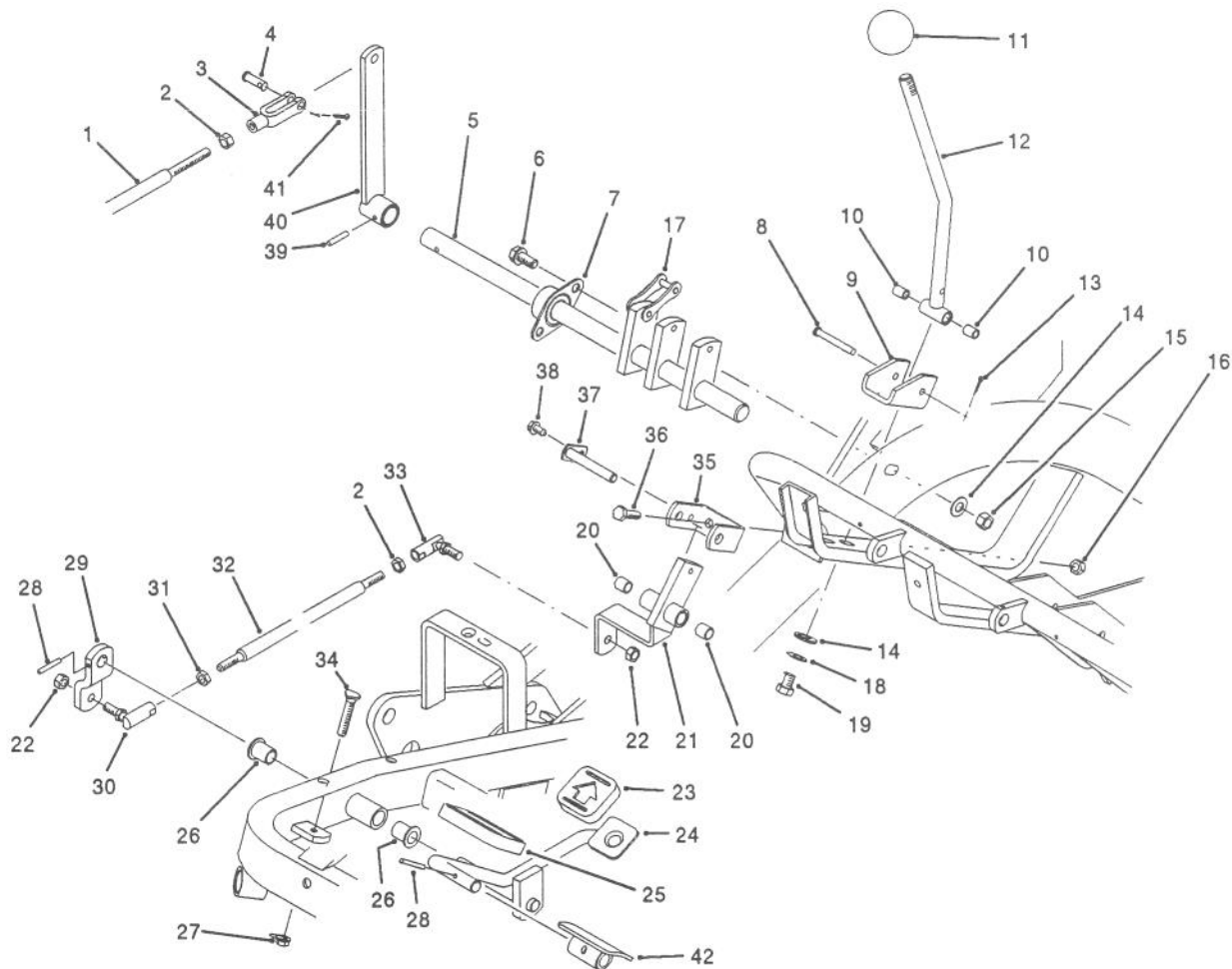


T-0983

HYDRAULIC DRIVE MOTOR ASSEMBLY NO. 75-9990

Ref. No.	Part No.	Description	No. Used	Ref. No.	Part No.	Description	No. Used
1		Seal - Dirt & Water	1	17	3257-42	Key - Woodruff	1
2		Bearing	1	18	76-0870	Plate - Wear	1
3		Housing	1	19		Rotor	1
4		Washer - Back-Up	1	20		Vane	7
5		Ring - Seal	5	21		Stator	1
6		Washer - Back-Up	1	22	76-0840	Manifold	1
7		Seal - Inner	1	23		Ring - Commutator	1
8		Washer - Thrust	2	24	76-0940	End Cover Assembly	1
9		Bearing - Thrust	1	*	76-0970	Rotor Set (Incl. Ref. #19-21)	1
10		Bearing	1	*	76-0880	Commutator Assembly (Incl. Ref. #15, 16 & 23)	1
11	76-0860	Shaft - Coupling	1	*	76-0800	Seal Kit (Incl. Ref. #1, 4-7 & 15)	1
12	76-0850	Bearing - Thrust	1	*	76-0810	Housing Assembly (Incl. Ref. #2, 3 & 8-10)	1
13	76-0960	Link - Drive	7				
14	76-1010	Screw - Cap Hex. Hd.	1				
15		Seal - Commutator	1				
16		Commutator	1				

*Not Illustrated

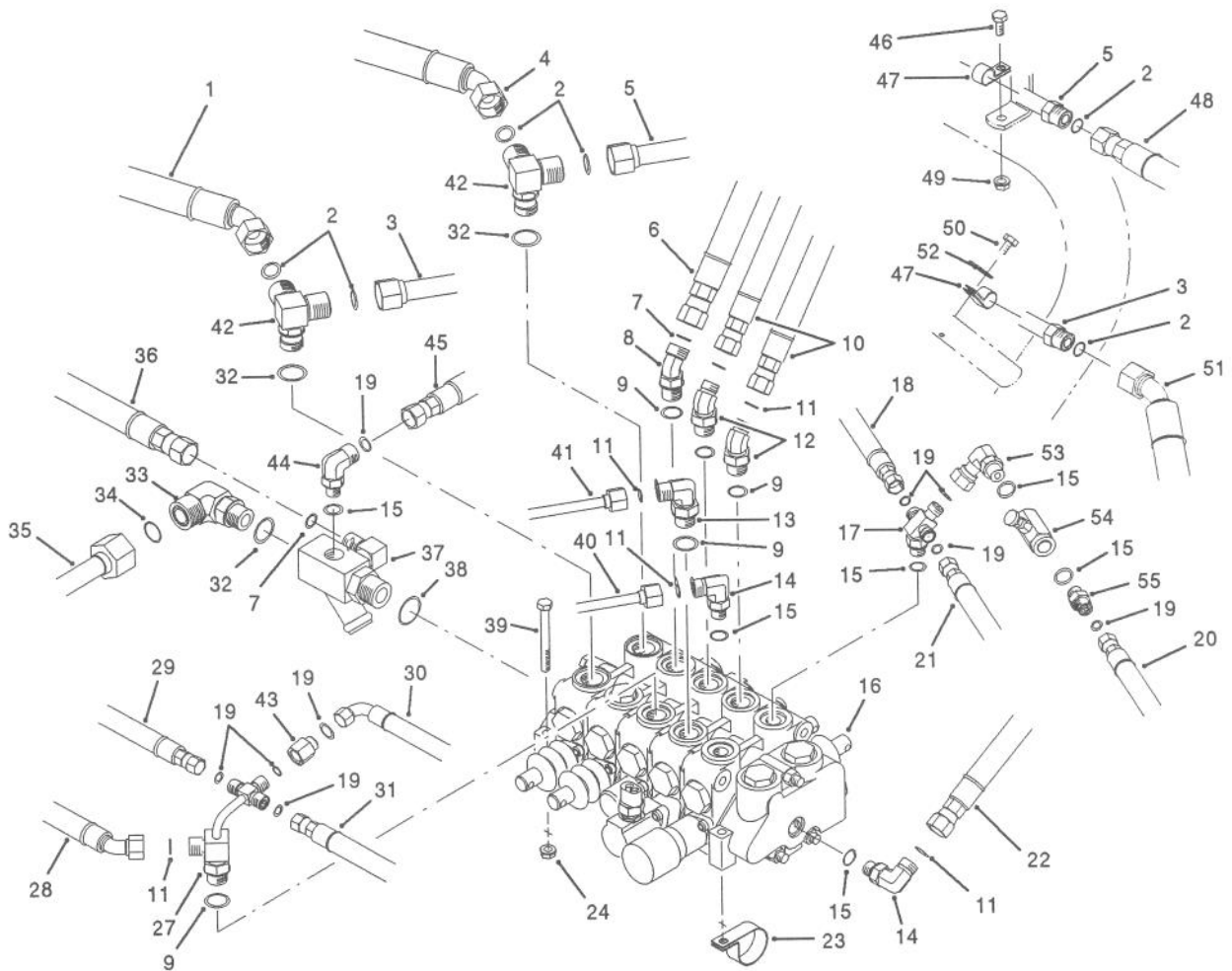


T-1287

TRACTION CONTROLS ASSEMBLY

Ref. No.	Part No.	Description	No. Used
1	49-5430	Rod - Control	1
2	3220-2	Nut - Jam	2
3	282-2	Clevis - Rod	1
4	283-61	Pin - Clevis	1
5	44-0870	Shaft - Cam	1
6	3234-1	Screw - Hex. Flange Hd.	4
7	27-2320	Bearing - Flange	2
8	283-57	Pin - Clevis	1
9	49-6220	Bracket - Control Arm	1
10	256-251	Bushing - Sleeve	2
11	233-48	Knob	1
12	83-0590	Traction Handle Assembly (Incl. Ref. #10)	1
13	3272-4	Pin - Cotter	1
14	3256-24	Washer - Flat	6
15	3296-59	Nut - Lock	4
16	3296-29	Nut - Lock	2
17	57-6220	Link	5
18	3254-6	Washer - I.T.L.W.	2
19	3211-2	Screw - Cap Hex. Hd.	2
20	256-2	Bushing - Sleeve	2
21	49-6260	Pivot - Traction	1

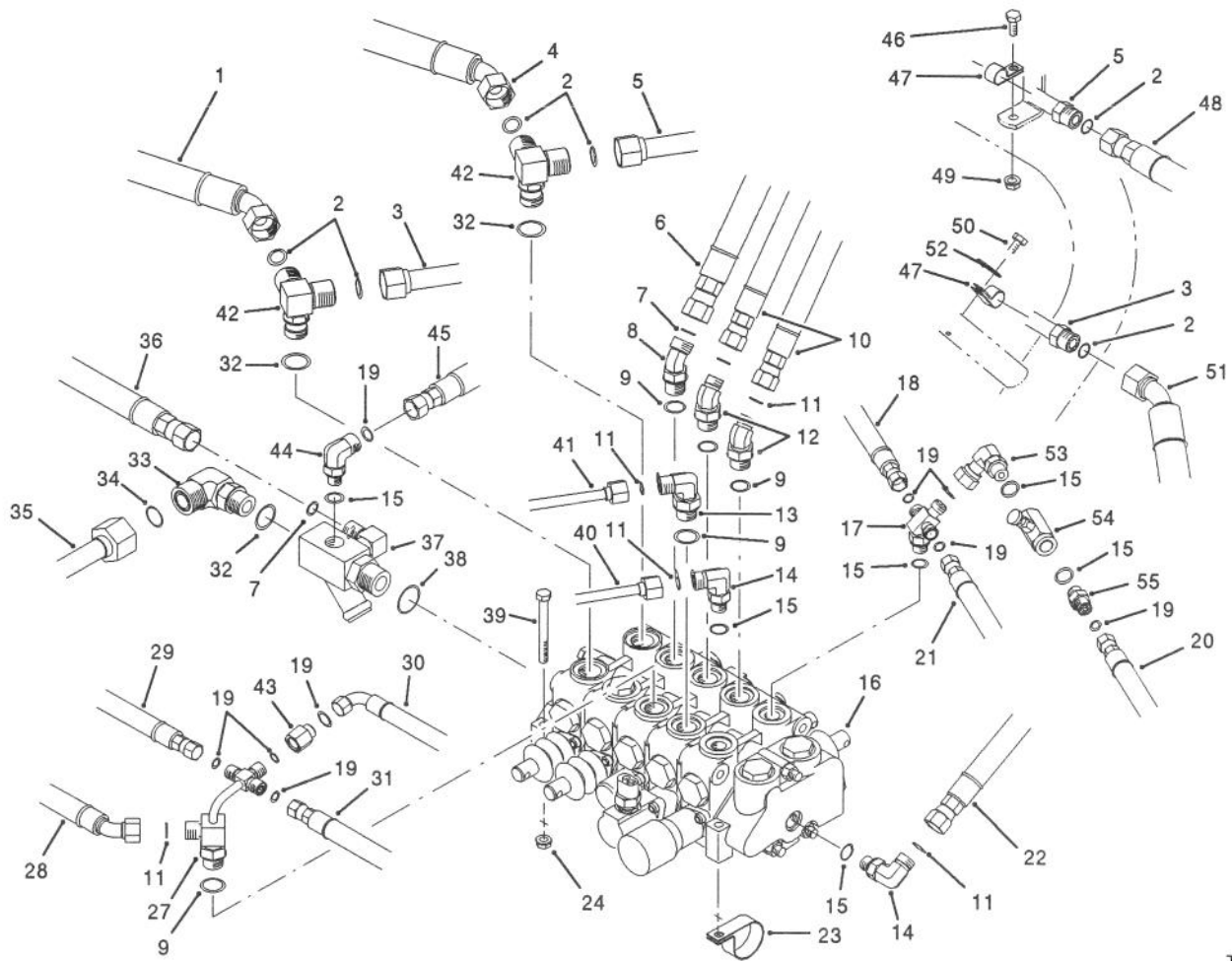
Ref. No.	Part No.	Description	No. Used
22	3296-4	Nut - Lock	2
23	74-9110	Pad - Reverse Pedal	1
24	83-0540	Pedal - Traction	1
25	74-9100	Pad - Forward Pedal	1
26	256-219	Bushing - Flange	2
27	32128-20	Nut - Flange Lock	1
28	32121-45	Pin - Roll	2
29	83-0630	Arm - Traction Pivot	1
30	2411-42	Joint - Ball L.H. Thread	1
31	3220-20	Nut - Jam L.H. Thread	1
32	83-0580	Rod - Traction Control	1
33	2411-43	Joint - Ball R.H. Thread	1
34	77-0480	Screw - Traction Stop	1
35	49-6250	Bracket - Traction Pivot	1
36	322-5	Screw - Cap Hex. Hd.	2
37	49-6290	Shaft - Traction Pivot	1
38	12-3270	Screw - Hex. Washer Hd.	1
39	32121-6	Pin - Roll	1
40	47-5320	Lever - Control	1
41	3272-6	Pin - Cotter	1
42	49-6440	Pedal - Forward	1



T-1294

CONTROL VALVE INSTALLATION ASSEMBLY

Ref. No.	Part No.	Description	No. Used	Ref. No.	Part No.	Description	No. Used
1	83-2450	Hose - Hydraulic	1	22	83-1170	Hose - Hydraulic	1
2	237-65	Seal - O-Ring	6	23	304-61	Clamp - R	1
3	70-7130	Tube Assy. (Incl. Ref. #2)	1	24	32128-20	Nut - Flange Lock	3
4	83-2460	Hose - Hydraulic	1	27	83-1670	Fitting - Special (Incl. Ref. #9, 11 & 19)	1
5	83-1200	Tube Assy. (Incl. Ref. #2)	1	28	74-3830	Hose - Hydraulic	1
6	83-1180	Hose - Hydraulic	1	29	63-3880	Hose - Hydraulic	1
7	237-30	Seal - O-Ring	2	30	83-1680	Hose - Hydraulic	1
8	340-101	Fitting - Hydraulic 45° (Incl. Ref. #7 & 9)	1	31	63-3850	Hose - Hydraulic	1
9	237-79	Seal - O-Ring	5	32	237-80	Seal - O-Ring	3
10	83-1190	Hose - Hydraulic	2	33	340-16	Fitting - Hydraulic 90° (Incl. Ref. #32 & 34)	1
11	237-22	Seal - O-Ring	6	34	237-58	Seal - O-Ring	1
12	340-138	Fitting - Hydraulic 45° (Incl. Ref. #9 & 11)	2	35	63-4040	Tube - Hydraulic	1
13	340-18	Fitting - Hydraulic 90° (Incl. Ref. #9 & 11)	1	36	63-3840	Hose - Hydraulic	1
14	340-77	Fitting - Hydraulic 90° (Incl. Ref. #11 & 15)	2	37	68-5260	Fitting - Manifold Tee (Incl. Ref. #7 & 38)	1
15	237-42	Seal - O-Ring	6	38	237-81	Seal - O-Ring	1
16	84-2201	Control Valve Assembly	1	39	322-14	Screw - Cap Hex. Hd.	3
17	84-7880	Fitting - Crows Foot (Incl. Ref. #15 & 19)	1	40	63-4020	Tube - Hydraulic	1
18	83-3880	Hose - Hydraulic	1	41	63-4030	Tube - Hydraulic	1
19	237-21	Seal - O-Ring	9	42	63-4050	Fitting - Tee (Incl. Ref. #2 & 32)	2
20	84-8260	Hose - Hydraulic	1	43	71-0990	Orifice (Incl. Ref. #19)	1
21	83-1690	Hose - Hydraulic	1	44	340-83	Fitting - Hydraulic 90° (Incl. Ref. #15 & 19)	1

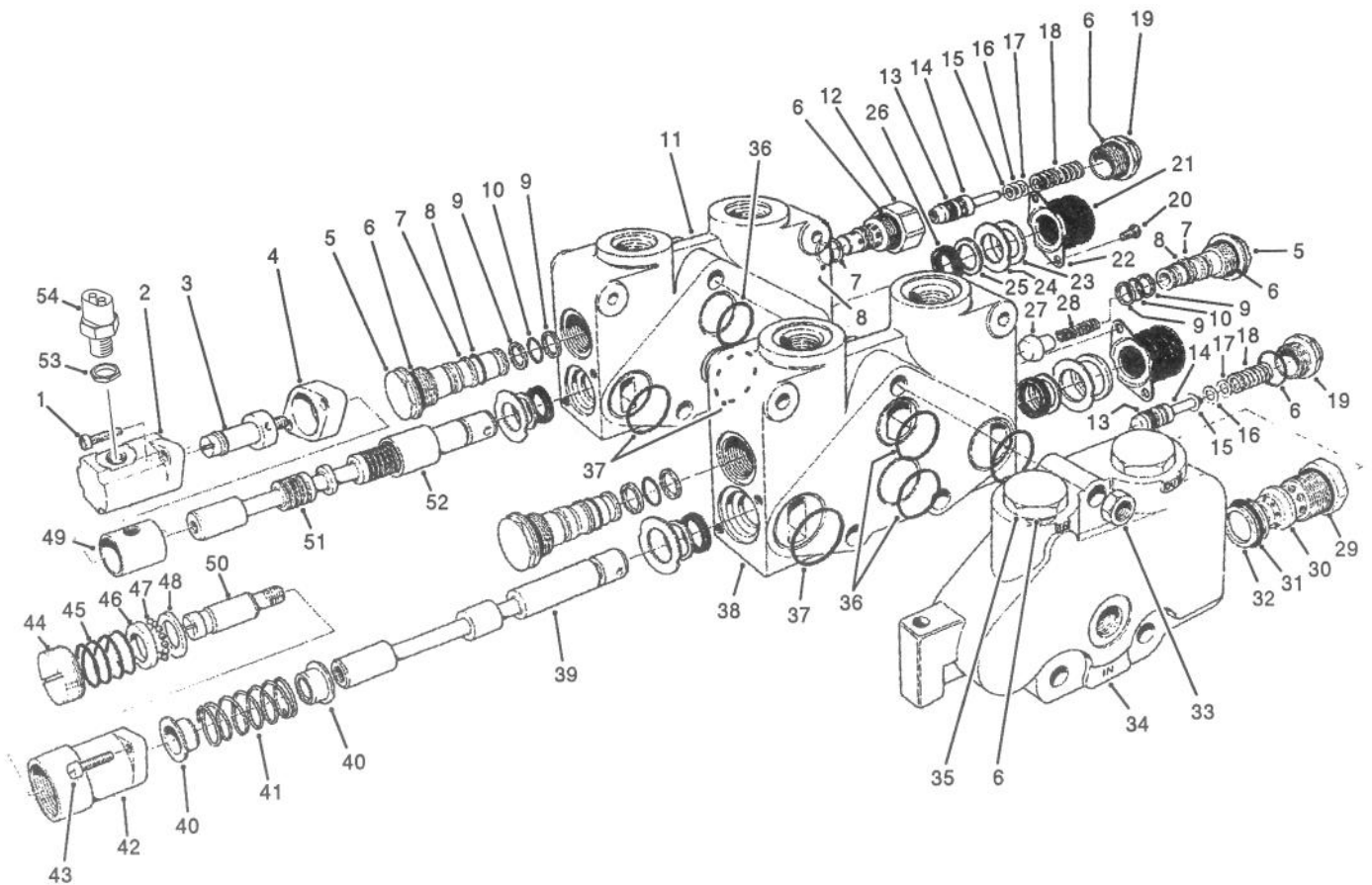


T-1294

CONTROL VALVE INSTALLATION ASSEMBLY (Continued)

Ref. No.	Part No.	Description	No. Used
45	83-1350	Hose - Hydraulic	1
48	70-7150	Hose - Hydraulic	1
49	3296-42	Nut - Lock	1
50	12-3270	Screw - Thread Forming	1
51	70-8610	Hose - Hydraulic	1
52		Washer - Flat	1

Ref. No.	Part No.	Description	No. Used
53	340-110	Fitting - Hydraulic 90° (Incl. Ref. #15)	1
54	76-2810	Valve - Needle	1
55	340-1	Fitting - Hydraulic Straight (Incl. Ref. #15 & 19)	1



T-1318

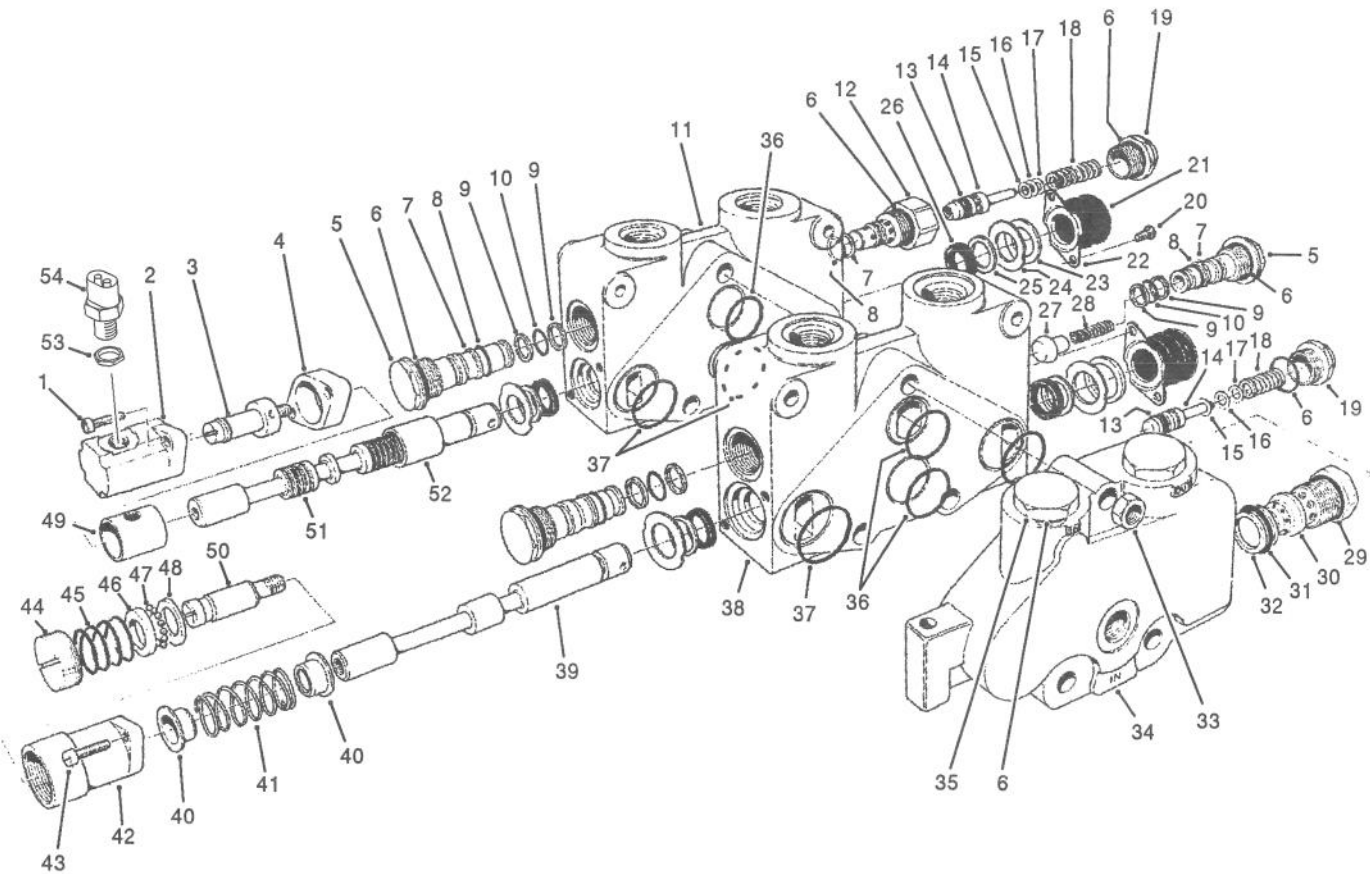
CONTROL VALVE ASSEMBLY NO. 84-2201 (Sections 1 And 2) (Continued)

Ref. No.	Part No.	Description	No. Used
48	354-29	Plate - Thrust	1
49	353-728	Sleeve	1
50	353-780	Spud - Detent Out (Incl. Ref. #44)	1
†51		Spool V20 3 Way F.F.	1
52	353-732	Sleeve - Detent	1
53	38-0410	Nut - Hex.	1
54	83-1890	Switch - Ball	1
*	353-766	Relief WH (2000) PSI Assy. (Incl. Ref. #6,13-19, 29-32)	1
*	353-768	Section #1 Complete	1
*	353-837	Section #2 Complete	1
*	353-780	Positioner - R. Detent (Out)	1

Ref. No.	Part No.	Description	No. Used
		(Incl. Ref. #3 & 40-49)	1
*	353-839	Positioner - DI (SPL) Assy. (Incl. Ref. #1, 3-5, 50 & 52)	1
*	353-642	Relief - RC Mod. (Incl. Ref. #6-8 & 12-19)	2
*	353-835	Seals - Section Set (Incl. Ref. #36 & 37)	1
*	12-7009	Seal - Spool Set (Incl. Ref. #24-26)	1
*	353-854	Boot - Spool Assembly (Incl. Ref. #20-23)	2

*Not Illustrated

†Parts Available as Assemblies Listed as (*Not Illustrated) on This Page



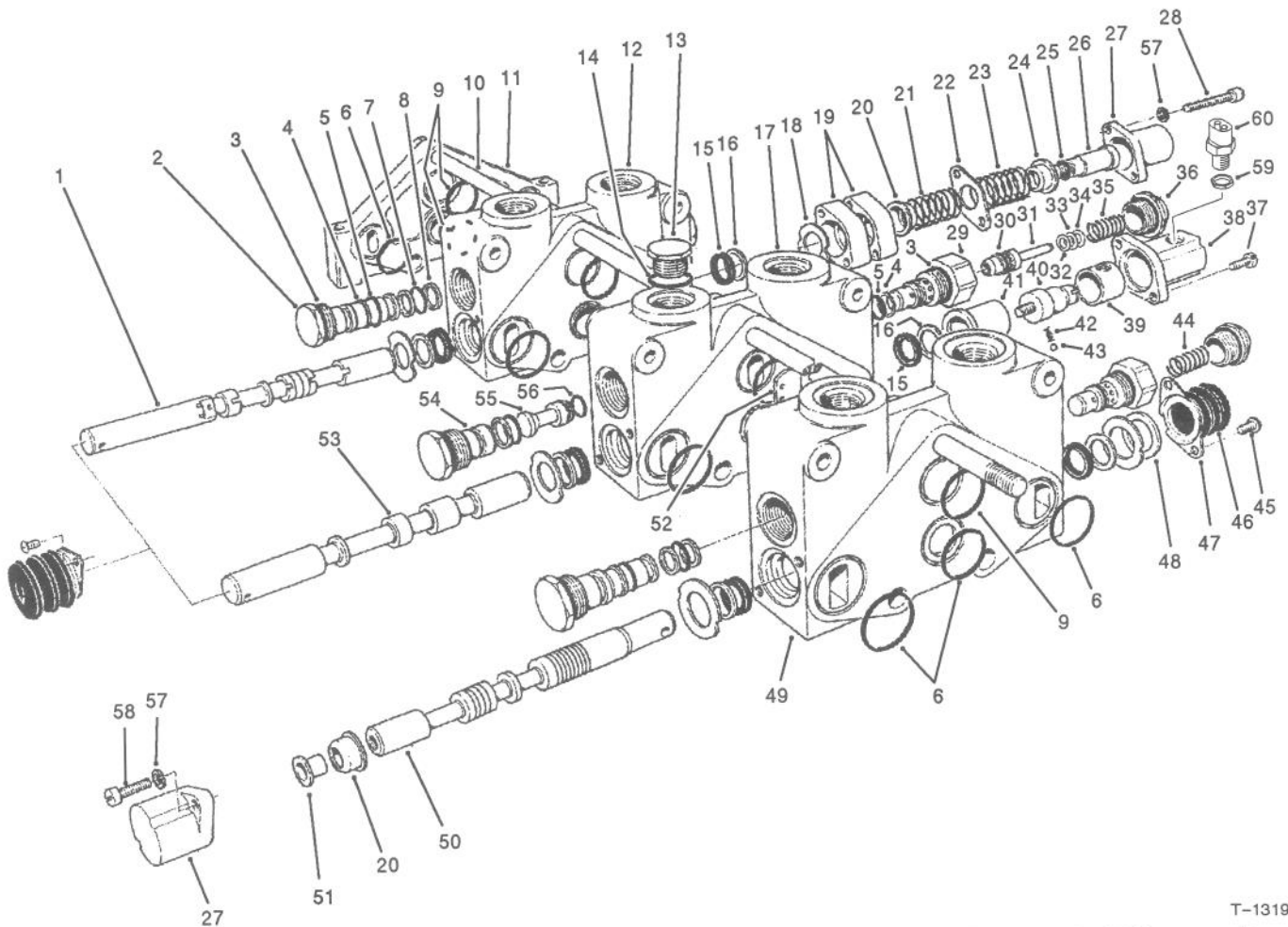
T-1318

CONTROL VALVE ASSY. NO. 84-2201 (Sections 1 & 2)

Ref. No.	Part No.	Description	No. Used
1	3274-70	Screw - Hex, Socket Hd.	2
2	353-727	Bonnet	1
3	353-729	Spud - Detent	1
4	353-733	Spacer - Bonnet	1
5	353-481	Plug - Load Check (Incl. Ref. #6-10)	3
6	237-54	O-Ring	8
7	353-306	Ring - Backup	4
8	353-305	O-Ring	4
9	353-303	Ring - Backup	6
10	353-302	O-Ring	3
11		Housing V20T	1
12	353-851	Body - Relief CP-RC Mod.	1
13	353-392	Seal - Relief Poppet PTFE	2
14	353-531	Poppet Assy. (Incl. Ref. #13)	2
15	353-328	Washer - Shim	A/R
16	353-329	Washer - Shim	A/R
17	353-330	Washer - Shim	A/R
18	353-855	Spring	2
19	353-334	Cap - Relief	2
20	3274-52	Screw - Hex, Socket Hd.	4
21	353-575	Boot - Dust Cap	2
22	353-559	Retainer - Boot	2
23	353-560	Washer - Breather	2

Ref. No.	Part No.	Description	No. Used
24	353-959	Plate - Seal Retainer	4
25	353-958	Ring - Backup	4
26	353-957	Seal - Lip	4
27	353-301	Poppet	1
28	353-304	Spring	1
29	353-331	O-Ring	1
30	353-760	Body Relief	1
31	353-758	Seal - O-Ring	1
32	353-952	Ring - Backup	1
33	3217-7	Nut - Hex	3
34	353-772	Left End Cover	1
35	353-721	Plug (Incl. Ref. #6)	2
†36		O-Ring	3
†37		O-Ring	4
†38		Housing Section #1	1
†39		Spool V20 SPL	1
40	353-417	Collar Spring	2
41	353-530	Spring	1
42	353-780	Bonnet - R. Detent	1
43	3274-15	Screw - Fillister Hd.	2
44	353-763	Cap - Adjustment	1
45	353-579	Spring	1
46	42-2680	Race R. Detent	1
47	52-5880	Ball - Steel	12

†Parts Available as Assemblies Listed as (*Not Illustrated) on Following Page



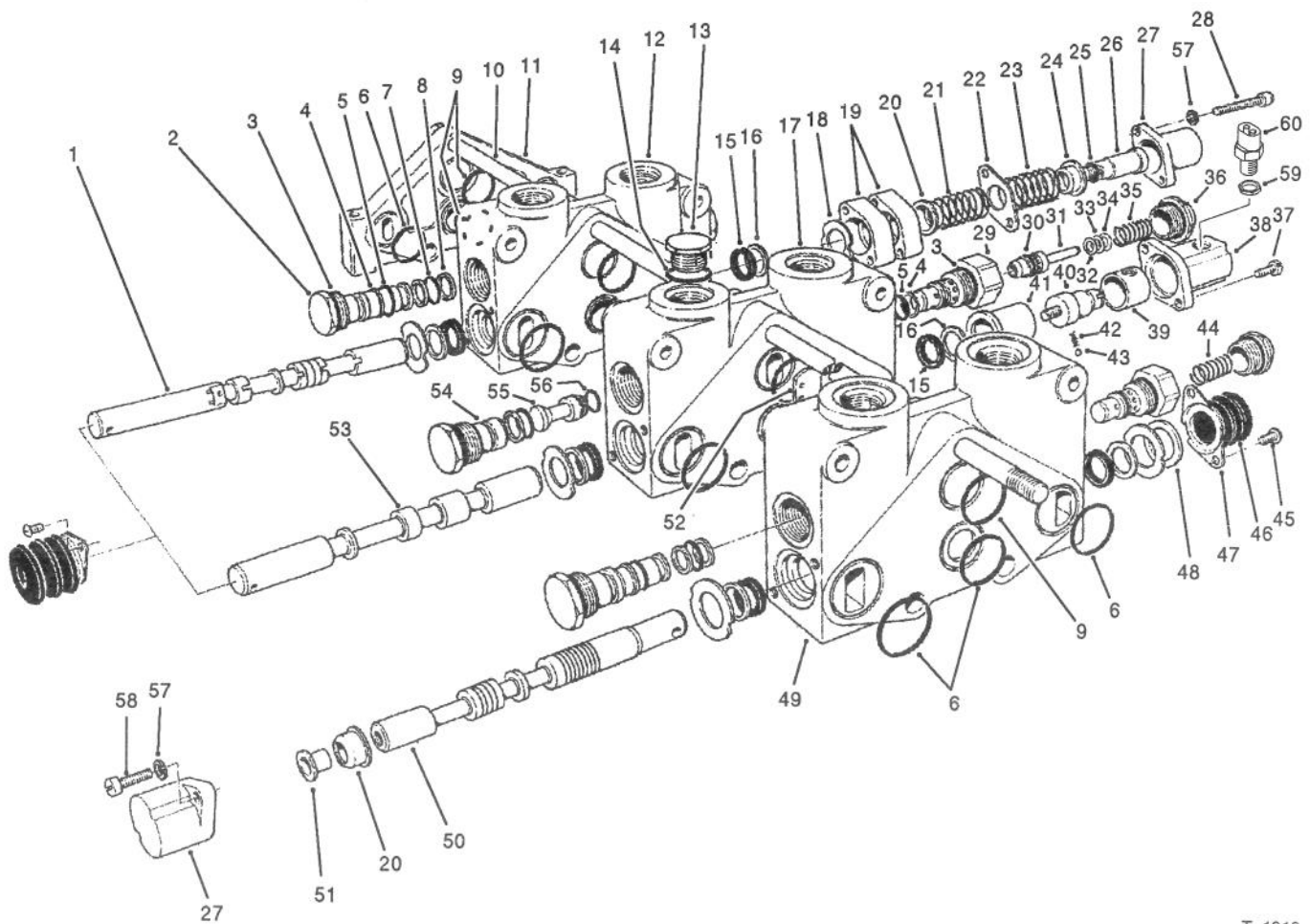
T-1319

CONTROL VALVE ASSY. NO. 84-2201 (Sections 3 Thru 5)

Ref. No.	Part No.	Description	No. Used
†1		Spool #5	1
2	353-481	Plug - Load Check (Incl. Ref. #3-5 & 7-8)	3
3	237-54	O-Ring	6
4	353-306	Ring - Backup	5
5	353-305	O-Ring	5
†6		O-Ring	11
7	353-302	O-Ring	3
8	353-303	Ring - Backup	6
†9		O-Ring	5
10	353-853	Bolt - Hex Hd.	3
11	353-668	Plate - Cap, Cover RH	1
12		Housing V20 #5	1
13	353-550	Plug Assembly (Incl. Ref. #14)	1
14	353-848	O-Ring	1
15	353-957	Seal - Lip	6
16	353-958	Ring - Backup	6
†17		Housing V20 #4	1
18	353-959	Plate - Seal Retainer	6
19	353-733	Spacer - Bonnet	2
20	353-417	Collar Spring	2
21	353-831	Spring	1
22	353-529	Plate Seal	1
23	353-530	Spring	1

Ref. No.	Part No.	Description	No. Used
24	353-808	Collar - Spring	1
25	353-830	O-Ring	1
26	353-829	Collar Spool	1
27	354-26	Bonnet	2
28	354-28	Screw - Hex, Socket Hd.	2
29	353-851	Body - Relief CP-RC Mod.	2
30	353-392	Seal - Relief Poppet PTFE	2
31	353-531	Poppet Assembly (Incl. Ref. #30)	2
32	353-328	Washer - Shim	A/R
33	353-329	Washer - Shim	A/R
34	353-330	Washer - Shim	A/R
35	353-398	Spring	1
36	353-334	Cap - Relief	2
37	52-5900	Screw - Fillister Hd.	4
38	353-847	Bonnet (SPL)	1
39	353-849	Sleeve	1
40	353-846	Spud - DI (SPL)	1
41	353-845	Sleeve - Detent	1
42	353-730	Spring	1
43	353-731	Ball	1
44	353-855	Spring	1
45	3274-52	Screw - Hex, Socket Hd.	6
46	353-575	Boot - Dust Cap	3
47	353-559	Retainer - Boot	3

†Parts Available as Assemblies Listed as (*Not Illustrated) on Following Page



T-1319

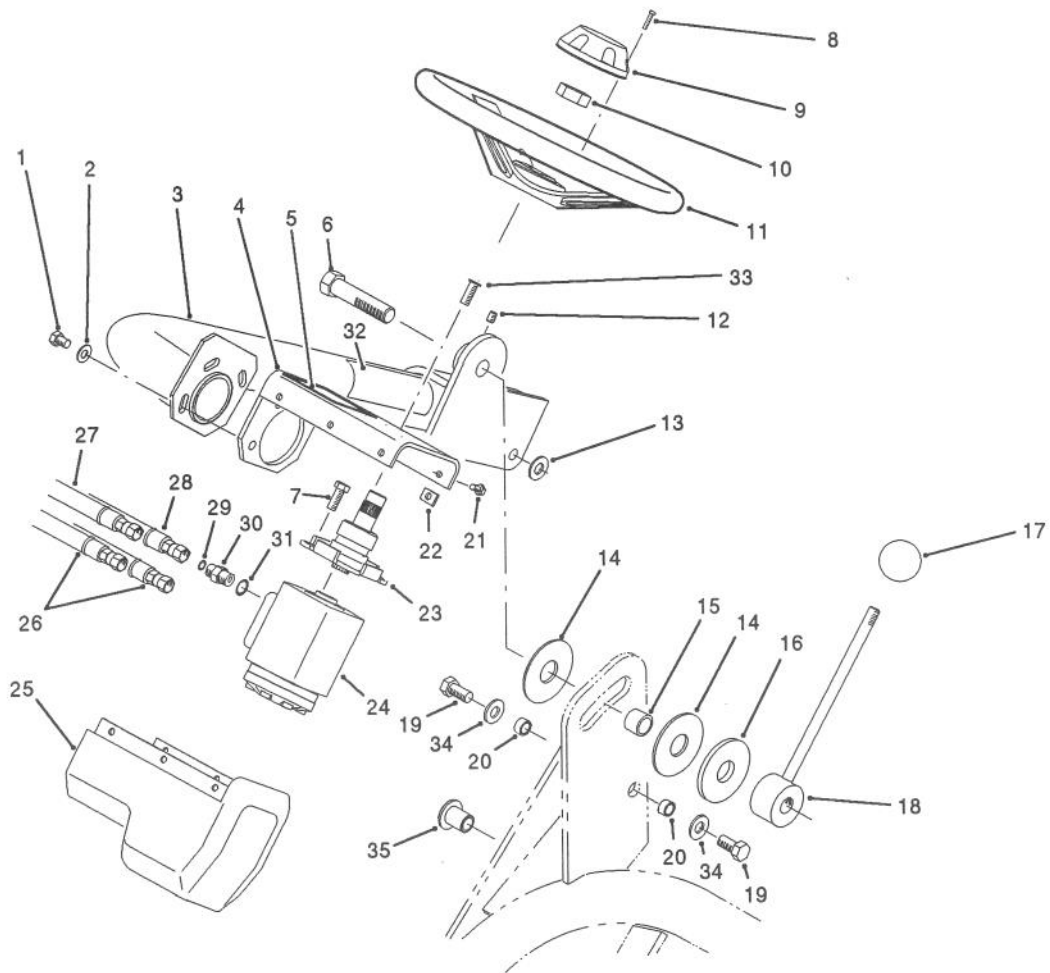
CONTROL VALVE ASSEMBLY NO. 84-2201 (Sections 3 Thru 5) (Continued)

Ref. No.	Part No.	Description	No. Used
†48	353-560	Washer - Breather	3
49		Housing V20 #2	1
†50		Spool V20 3 Way F.F.	1
51	52-5860	Collar - Spool	1
52	353-765	Disc - Seal	1
†53	354-122	Spool #4	1
54	353-953	Plug Assembly	1
55	353-844	Plus Series (Incl. Ref. #56)	1
56	353-850	O-Ring	1
57	3253-3	Washer - Lock	4
58	3274-84	Screw - Cap, Hex. Hd.	4
59	38-0410	Nut - Hex.	1
60	83-1890	Switch - Ball	1
*	353-835	Seals - Section Set (Incl. Ref. #6 & 9)	1
*	12-7009	Seal - Spool Set (Incl. Ref. #15, 16 & 18)	1
*	353-854	Boot - Spool Assembly	

Ref. No.	Part No.	Description	No. Used
		(Incl. Ref. #45-48)	3
*	353-770	Section #3 Assembly (Complete)	1
*	354-25	Section #4 Assembly (Complete)	1
*	353-834	Section #5 Assembly (Complete)	1
*	353-841	Position - Spool Assembly (Incl. Ref. #20 27 37 & 51)	1
*	353-840	Position - DI (SP) Assy. (Incl. Ref. #37-43)	1
*	353-642	Relief - RC Mod. Assembly (Incl. Ref. #3-5 & 29-36)	1
*	353-833	Positioner Assembly (Incl. Ref. #19-28)	1
*	84-2201	Control Valve Assembly Complete	1

*Not Illustrated

†Parts Available as Assemblies Listed as (*Not Illustrated) on This Page

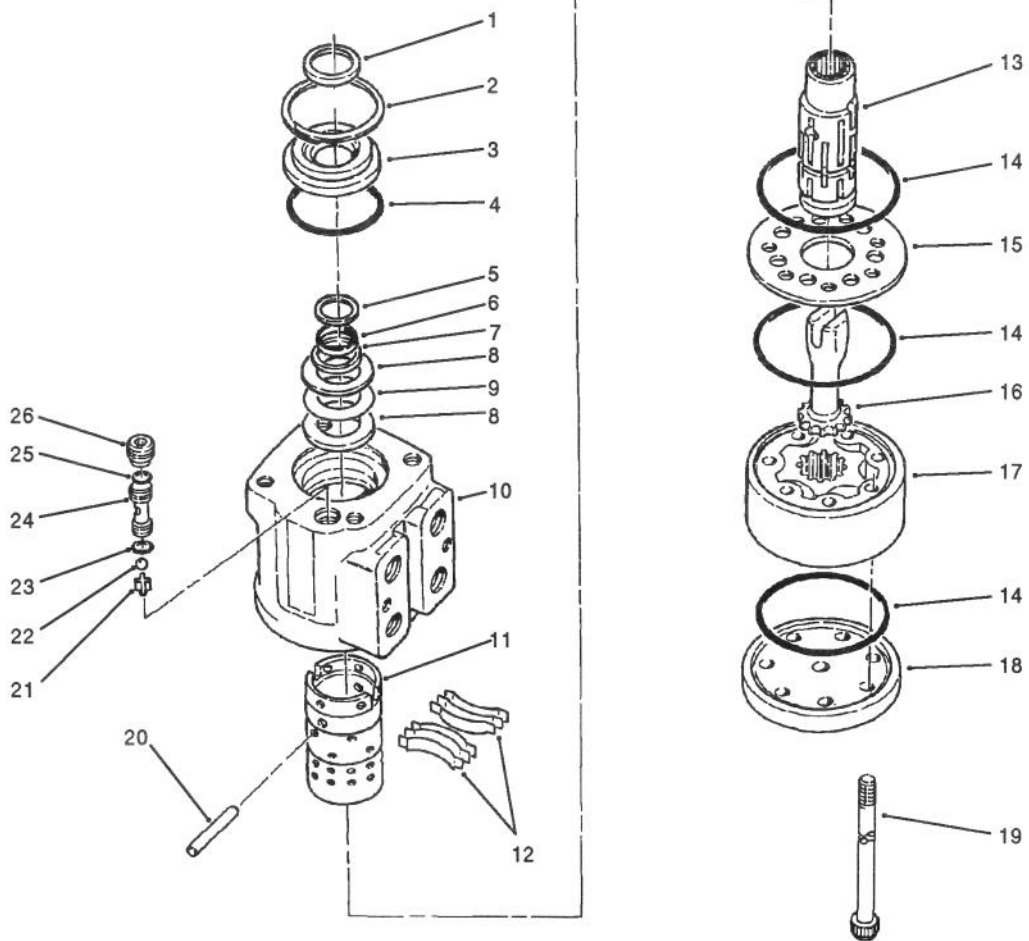


T-1291

STEERING ARM ASSEMBLY

Ref. No.	Part No.	Description	No. Used	Ref. No.	Part No.	Description	No. Used
1	3274-80	Screw - Cap Hex. Hd.	3	19	325-4	Screw - Cap Hex. Hd.	2
2	3256-80	Washer - Flat	3	20	47-2890	Bushing - Sleeve	2
3	83-0650	Arm - Steering	1	21	3274-39	Screw - Cap Hex. Hd.	6
4	83-0780	Support - Steering Valve	1	22	3290-277	Nut - Tinnerman	6
‡5	83-1790	Decal - Warning	1	23	83-1420	Column - Steering	1
6	83-0750	Screw - Cap Hex. Hd. L.H.	1	24	58-3952	Steering - Valve Assembly	1
7	323-4	Screw - Cap Hex. Hd.	2	25	83-0810	Cover - Steering Valve	1
8	32144-21	Screw - Round Hd.	2	26	83-1350	Hose - Hydraulic	2
9	68-5140	Cap - Steering Wheel	1	27	83-1360	Hose - Hydraulic	1
10	47-6990	Nut - Steering Wheel	1	28	83-1370	Hose - Hydraulic	1
11	68-5130	Steering Wheel Assembly (Incl. Ref. #8 & 9)	1	29	237-21	Seal - O-Ring	4
12	3246-3	Screw - Set	1	30	340-1	Fitting - Hydraulic Straight (Incl. Ref. #29 & 31)	4
13	65-6390	Washer - Thrust	1	31	237-42	Seal - O-Ring	4
14	83-0740	Disc - Friction	2	‡32	83-2050	Decal - Steering Arm	1
15	83-0730	Spacer - Lockup	1	33	3274-63	Screw - Hex. Socket Hd.	2
16	83-0760	Plate - Lockup	1	34	3256-26	Washer - Flat	2
17	233-48	Knob	1	35	83-1700	Bushing - Flange	1
18	83-0700	Handle - Lockup	1				

‡For different language versions of this part, see International Decal Cross Reference.



T-1320

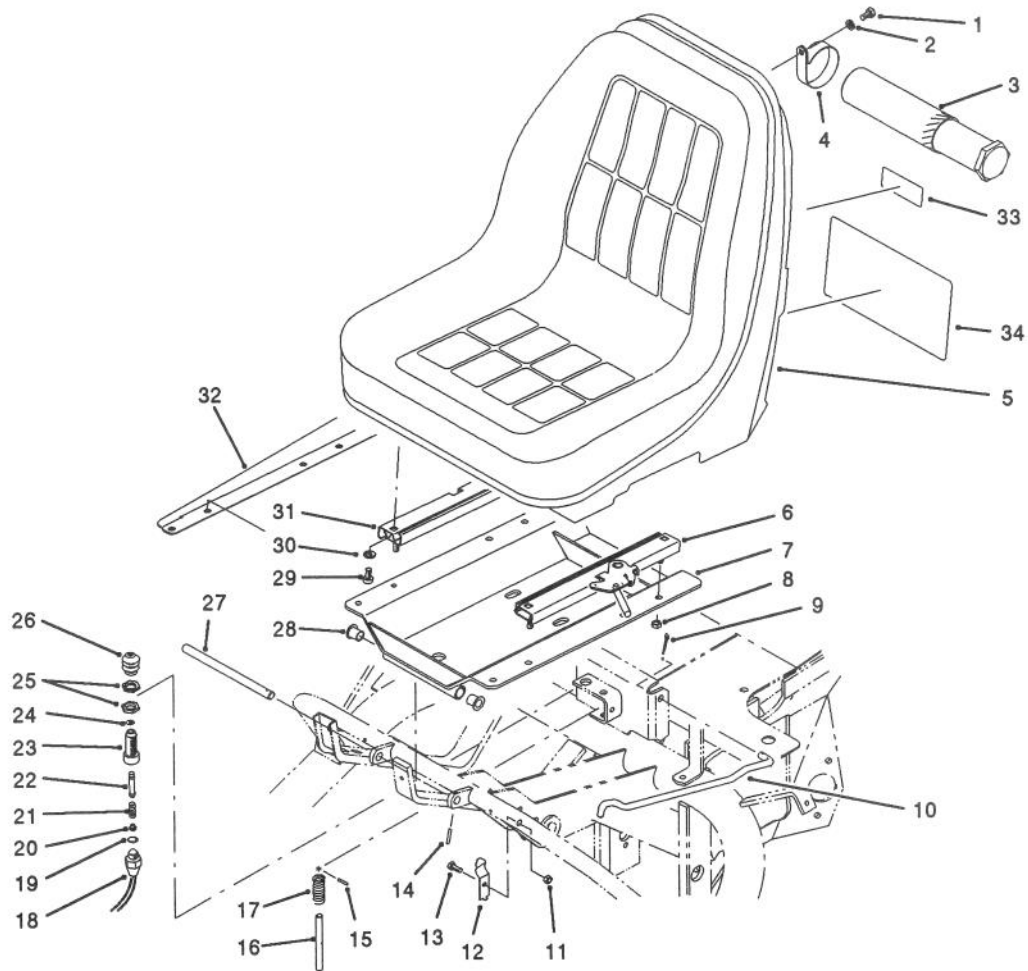
POWER STEERING VALVE NO. 58-3952

Ref. No.	Part No.	Description	No. Used
1		Seal - Dust	1
2	52-9230	Ring - Retaining	1
3	70-8230	Bushing - Seal, Gland	1
4		O-Ring	1
5		Ring - Backup	1
6		O-Ring	1
7		Seal	1
8	59-6730	Race - Bearing	2
9	59-6740	Bearing - Needle, Thrust	1
†10		Housing	1
†11		Sleeve - Control	1
12	83-1860	Centering Spring Kit	1
†13		Spool - Control	1
14		O-Ring	3
15	83-1900	Plate - Spacer	1
16	70-8250	Drive	1
17	83-1870	Gerotor	1

Ref. No.	Part No.	Description	No. Used
18	59-6890	Cap - End	1
19	52-9350	Screw - Cap	7
20	59-6830	Centering Pin Kit	1
21	52-9290	Retainer - Ball, Check	1
22	52-9280	Ball - Check	1
23		O-Ring	1
24	52-9270	Seat - Ball, Check	1
25		O-Ring	1
26	52-9260	Screw - Set	1
*	52-9250	Needle Bearing Kit (Incl. Ref. #8 & 9)	1
*	83-1880	Control Parts Assembly (Incl. Ref. #10-13 & 20)	1
*	70-8300	Seal Kit (Incl. Ref. #1, 4-7, 14, 23 & 25)	1

*Not Illustrated

†Not Serviced Separately



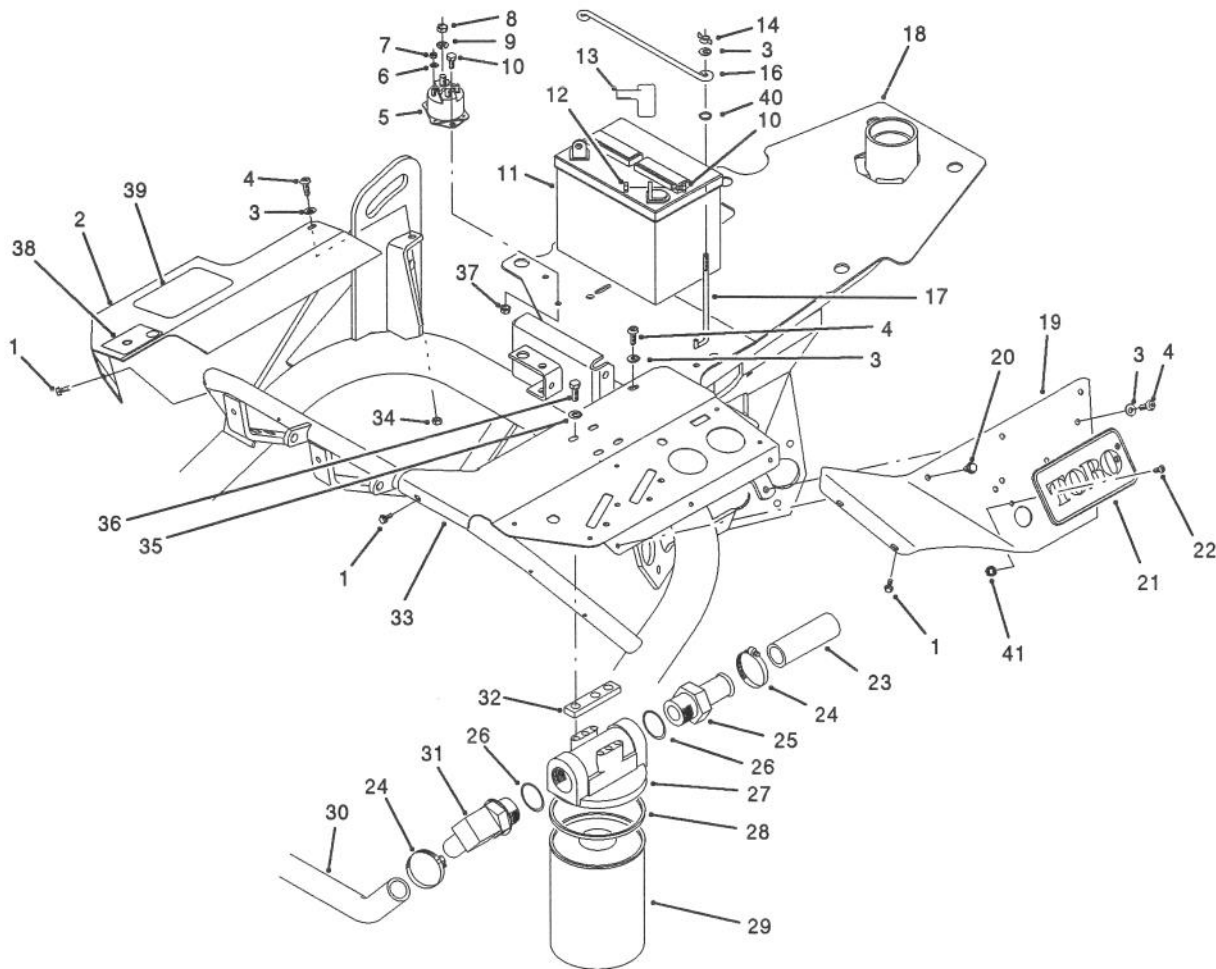
T-1290

SEAT ASSEMBLY

Ref. No.	Part No.	Description	No. Used	Ref. No.	Part No.	Description	No. Used
1	322-2	Screw - Cap Hex. Hd.	2	19	237-30	Seal - O-Ring	1
2	3253-4	Washer - Lock	2	20	43-8610	Seat - Ball	1
3	74-0720	Tube - Manual	1	21	43-8600	Spring - Compression	1
4	2412-133	Clamp - R	2	22	43-8860	Plunger - Switch	1
5	75-9190	Seat Assembly	1	23	43-8620	Guide - Switch	1
6	51-0790	Adjuster - Seat	1	24	237-7	Seal - O-Ring	1
7	83-1270	Seat Support Assembly (Incl. Ref. #28)	1	25	218-461	Nut - Hex.	2
8	3296-29	Nut - Lock	4	26	43-8870	Boot - Switch	1
9	3272-11	Pin - Cotter	1	27	49-5880	Shaft - Seat Suport	1
10	68-5100	Rod - Seat Prop	1	28	256-219	Bushing -Flange	2
11	3296-42	Nut - Lock	1	29	3274-12	Screw - Hex. Socket Hd.	4
12	68-5310	Clip - Seat Rod	1	30	3256-23	Washer - Flat	4
13	321-3	Screw - Cap Hex. Hd.	1	31	51-0780	Slider - Seat	1
14	32121-45	Pin - Roll	1	32	83-1840	Cover - R.H.	1
15	3284-3	Pin - Groove	1	‡33	58-6530	Decal - Hydraulic Oil	1
16	51-0350	Pin - Seat Spring	1	‡34	83-1780	Decal - Service	1
17	3-6685	Spring - Compression	1	*	43-9071	Seat Switch Assembly (Incl. Ref. #18-26)	1
18	72-4320	Switch - Ball	1				

*Not Illustrated

‡For different language versions of this part, see International Decal Cross Reference.



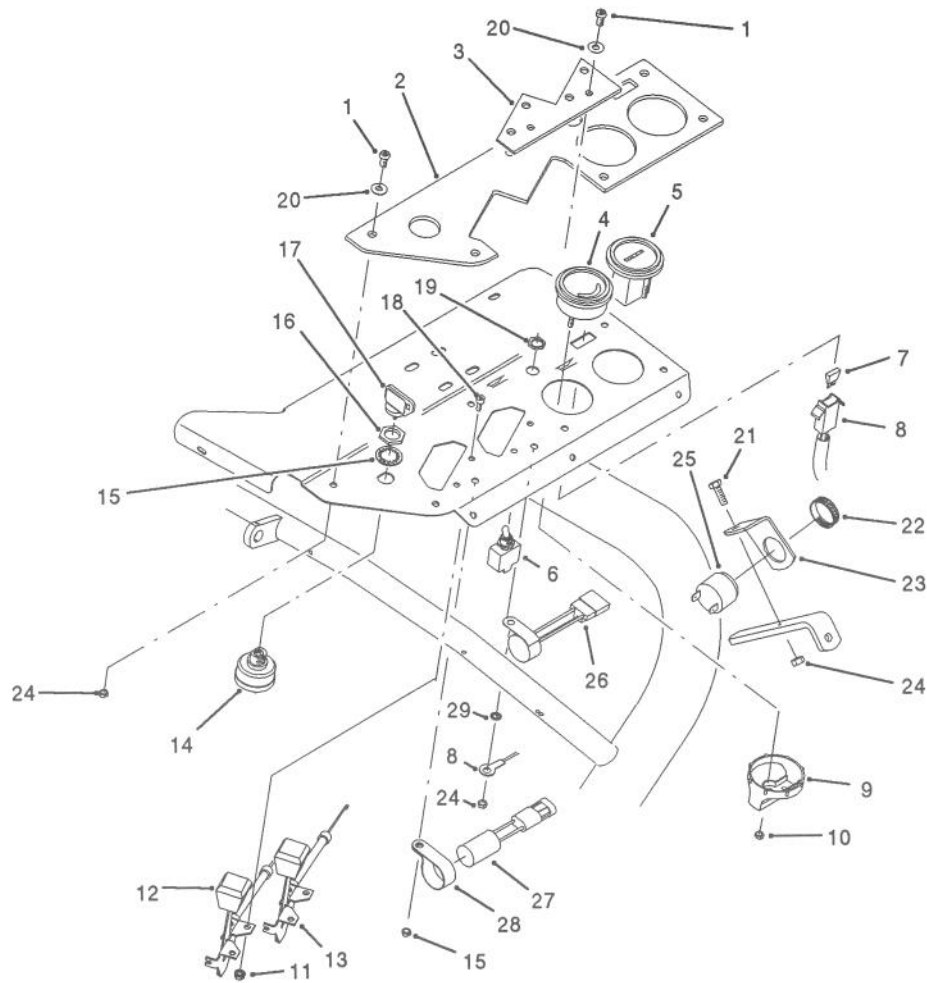
T-1295

FRAME ASSEMBLY

Ref. No.	Part No.	Description	No. Used
1	32104-76	Screw - Self Tapping	5
2	83-1830	Cover - R.H.	1
3	3256-22	Washer - Flat	5
4	3274-64	Screw - Hex. Socket Hd.	3
5	28-4210	Solenoid - Starter	1
6	3254-1	Washer - Lock	2
7	3219-14	Nut - Hex.	2
8	3218-13	Nut - Jam	2
9	3253-4	Washer - Lock	2
10	321-3	Screw - Cap Hex. Hd.	4
11	28-1400	Battery	1
12	3217-5	Nut - Hex.	2
13	28-8080	Boot Terminal	1
14	32103-12	Nut - Wing	2
16	72-4790	Hold-Down - Battery	1
17	56-7720	Bolt - Battery	2
18	83-0220	Frame Assembly	1
19	83-0840	Fender - L.H.	1
20	46-8560	Screw - Self Taping	3
21	61-3310	Plate - Logo	1
22	3290-470	Screw - Flat Hd.	2
23	83-1430	Hose - Hydraulic	1

Ref. No.	Part No.	Description	No. Used
24	2412-34	Clamp - Hose	2
25	353-563	Fitting - Hydraulic Straight (Incl. Ref. #26)	1
26	237-101	Seal - O-Ring	2
27	44-5560	Head - Oil Filter	1
28	72-3850	Seal - Filter	1
29	74-3570	Filter - Hydraulic Oil (Incl. Ref. #28)	1
30	68-5880	Hose - Hydraulic	1
31	353-564	Fitting - Hydraulic 90° (Incl. Ref. #26)	1
32	27-2380	Spacer	2
33	83-0830	Panel - Control Upper	1
34	3296-42	Nut - Lock	3
35	3256-23	Washer - Flat	4
36	322-4	Screw - Cap Hex. Hd.	4
37	32149-2	Nut - Keps	2
‡38	83-1850	Decal - Traction	1
39	67-1300	Decal - TORO	1
40	237-143	Grommet	2
41	32149-7	Nut - Keps	2

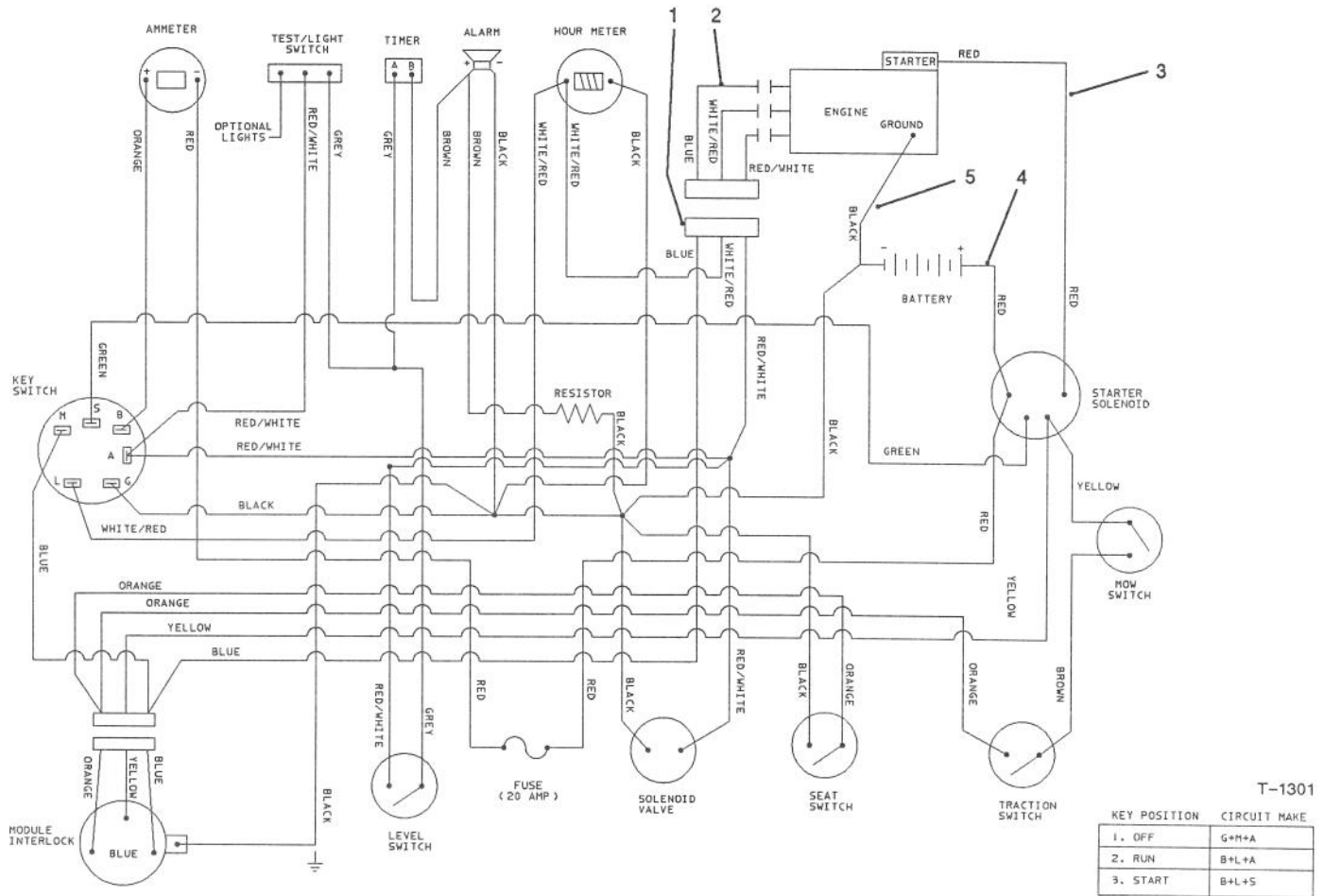
‡For different language versions of this part, see International Decal Cross Reference.



T-1296

CONTROL PANEL ASSEMBLY

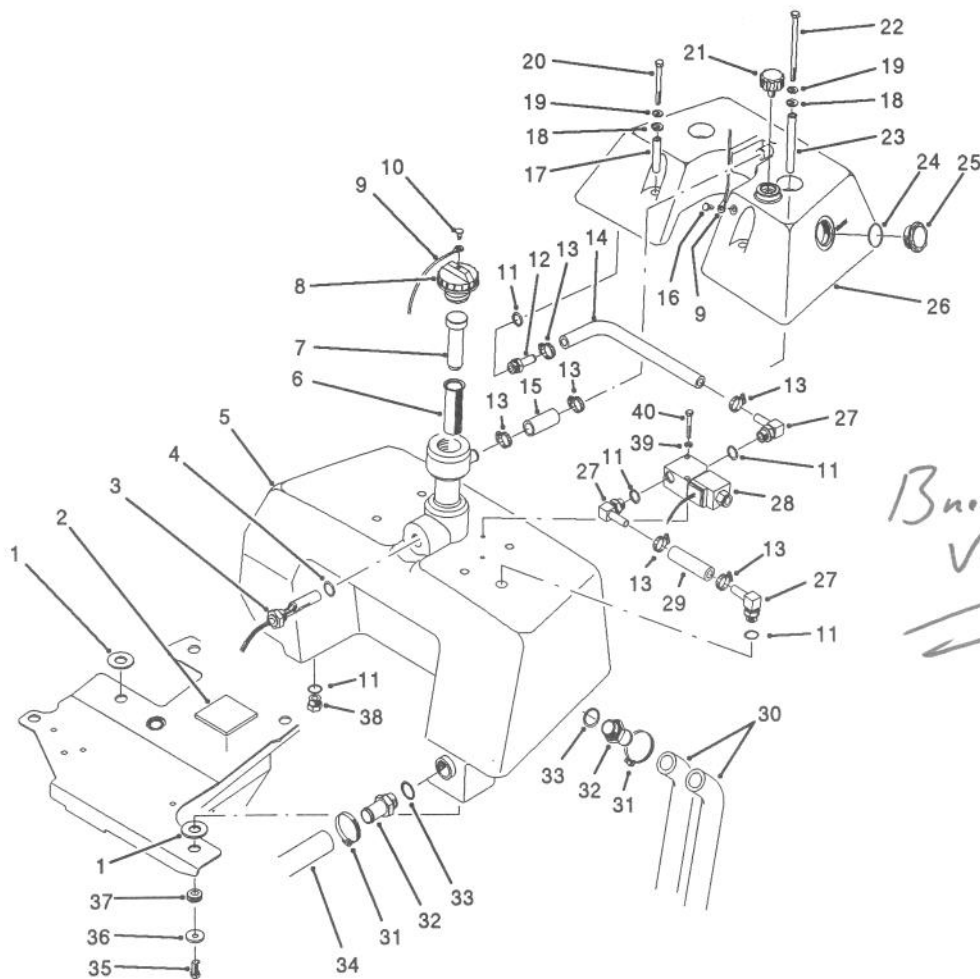
Ref. No.	Part No.	Description	No. Used	Ref. No.	Part No.	Description	No. Used
1	3274-69	Screw - Hex. Socket Hd.	8	15	3254-5	Washer - Lock	1
2	83-0850	Plate - Control Panel	1	16	218-461	Nut - Hex.	1
3	83-2030	Plate - Filler	1	17	63-8360	Key - Ignition	1
4	83-0820	Gauge - Ammeter	1	18	3273-26	Screw - Hex. Socket Hd.	4
5	66-2950	Gauge - Hourmeter	1	19		Nut - Hex.	2
6	83-1660	Switch Assembly (Incl. Ref. #19)	1	20	3256-1	Washer - Flat	8
7	218-594	Fuse - 20 Amp	1	21	321-4	Screw - Cap Hex. Hd.	1
8	83-1100	Harness - Wire (Main)	1	22		Retainer - Alarm	1
9	39-9600	Clamp - Mounting	1	23	83-1530	Bracket - Alarm	1
10	3219-14	Nut - Hex.	6	24	3296-42	Nut - Lock	8
11	3296-27	Nut - Lock	4	25	80-9330	Audio Alarm Assembly (Incl. Ref. #22)	1
12	83-0030	Control - Throttle	1	26	28-7890	Module - Interlock	1
13	83-0040	Control - Choke	1	27	83-2280	Timer - Relay	1
14	83-0020	Ignition Switch Assembly (Incl. Ref. #15-16)	1	28	2412-106	Clamp - R	1
				29	3255-7	Washer - Lock	1



ELECTRICAL SCHEMATIC

Ref. No.	Part No.	Description	No. Used
1	83-1100	Harness - Wire (Main)	1
2	83-1110	Harness - Wire (Engine)	1
3	83-1160	Wire - Soleniod-Starter	1

Ref. No.	Part No.	Description	No. Used
4	83-1140	Wire - Solenoid-Battery	1
5	83-1150	Wire - Engine Ground	1



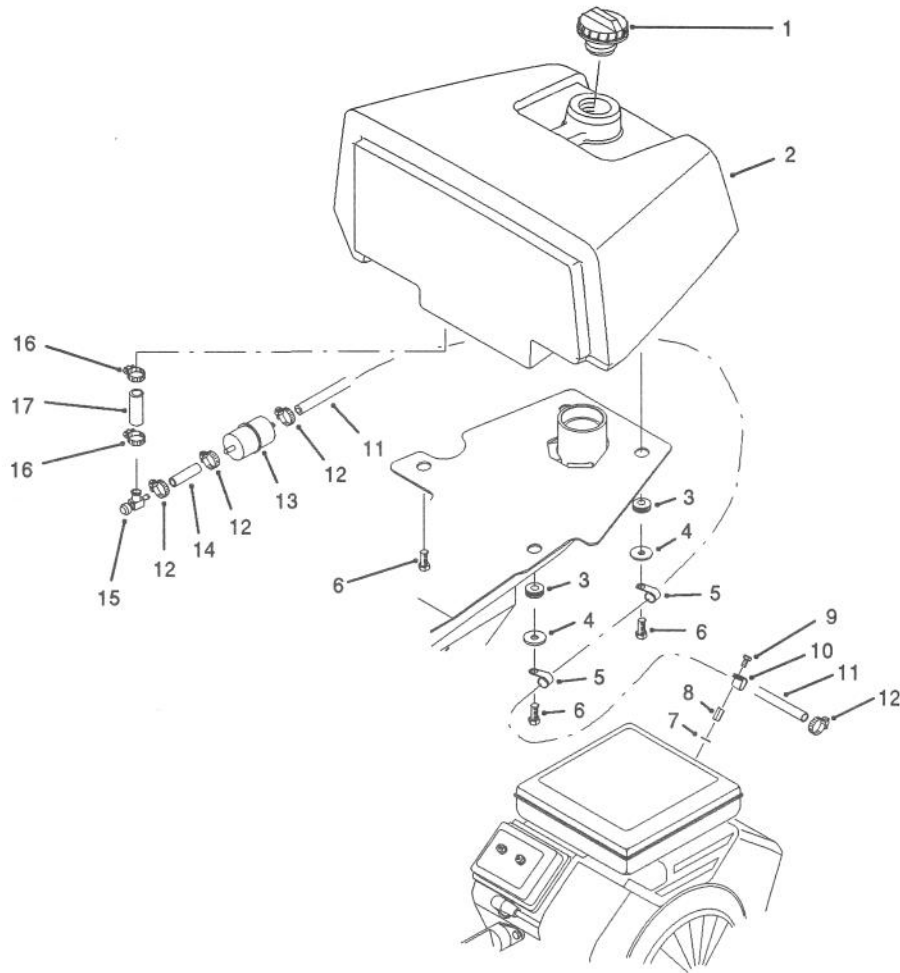
*Breakdown
Valve!*

T-1289

HYDRAULIC RESERVOIR ASSEMBLY

Ref. No.	Part No.	Description	No. Used
1	83-2400	Spacer - Tank	2
2	83-2390	Pad - Tank	1
3	83-1450	Sensor - Oil Level	1
4	237-80	Seal - O-Ring	1
5	83-0860	Reservoir - Hydraulic	1
6	83-1520	Screen - Filler	1
7	83-1510	Plug - Filler Cap	1
8	70-8640	Cap - Hydraulic Reservoir	1
9	75-0540	Tether - Cap	1
10	2410-73	Retainer - Tether	1
11	237-79	Seal - O-Ring	5
12	354-121	Fitting - Hydraulic Straight (Incl. Ref. #11)	1
13	2412-129	Clamp - Hose	6
14	83-2070	Hose - Valve	1
15	83-2090	Hose - Overflow	1
16	321-2	Screw - Cap Hex. Hd.	1
17	83-1550	Spacer - Tank (Short)	2
18	83-1470	Washer - Neoprene	4
19	3256-23	Washer - Flat	4
20	322-14	Screw - Cap Hex. Hd.	2
21	68-6150	Breather	1
22	322-29	Screw - Cap Hex. Hd.	2

Ref. No.	Part No.	Description	No. Used
23	83-1560	Spacer - Tank (Long)	2
24	237-123	Seal - O-Ring	1
25	83-2250	Guage - Sight (Incl. Ref. #24)	1
26	83-2100	Tank - Auxiliary Hydraulic	1
27	354-120	Fitting - HYdraulic 90° (Incl. Ref. #11)	3
28	83-1460	Solenoid Valve Assembly	1
29	83-2080	Hose - Valve-Tank	1
30	83-0910	Hose - Hydraulic	2
31	2412-34	Clamp - Hose	3
32	83-0870	Fitting - Hydraulic Straight (Incl. Ref. #33)	3
33	237-177	Seal - O-Ring	3
34	83-1430	Hose - Hydraulic	1
35	323-6	Screw - Cap Hex. Hd.	3
36	63-8410	Washer - Flat	3
37	240-11	Grommet	3
38	353-550	Plug - Hydraulic (Incl. Ref. #11)	1
39	3253-3	Washer - Lock	2
40	321-11	Screw - Cap Hex. Hd.	2



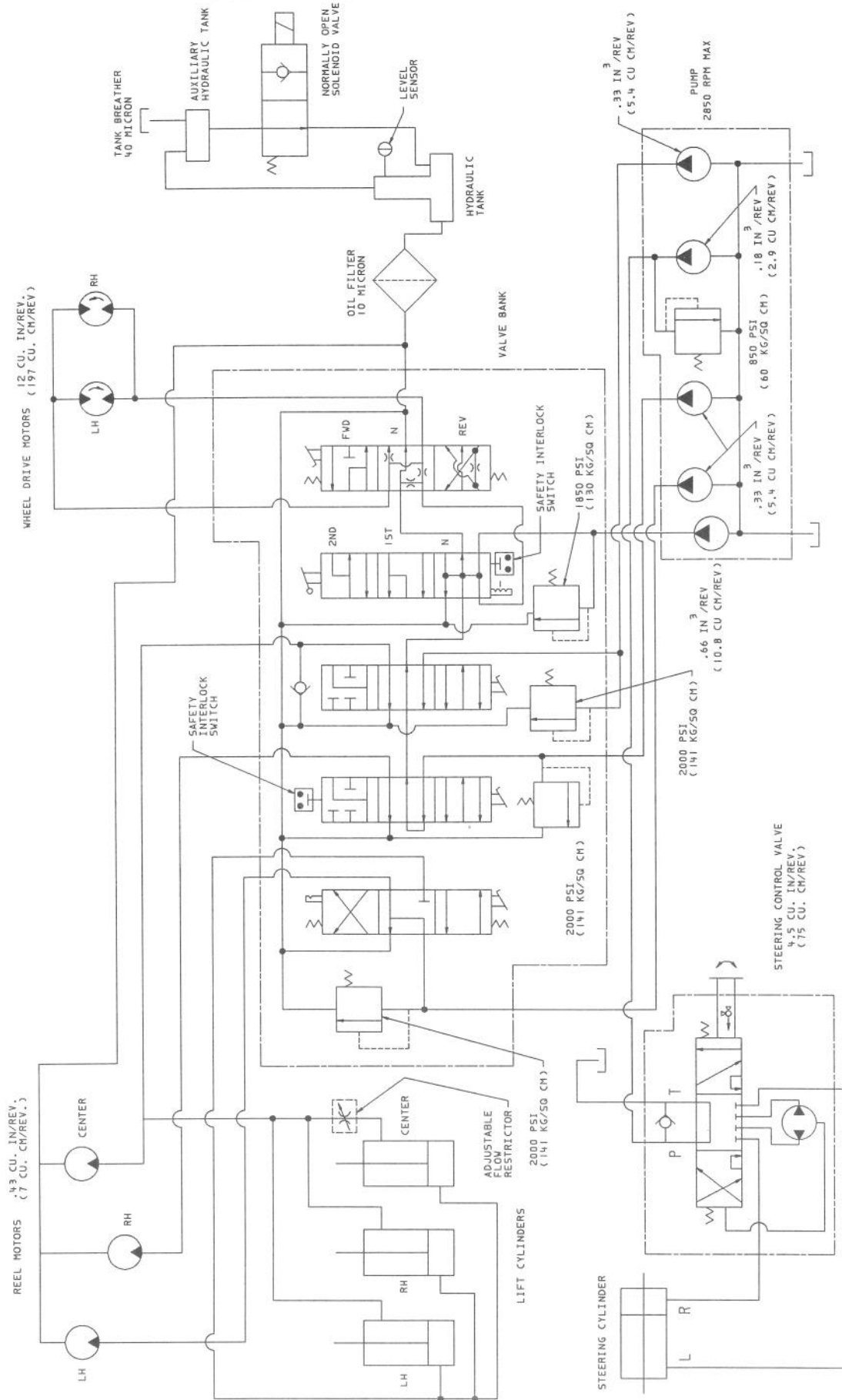
T-1317

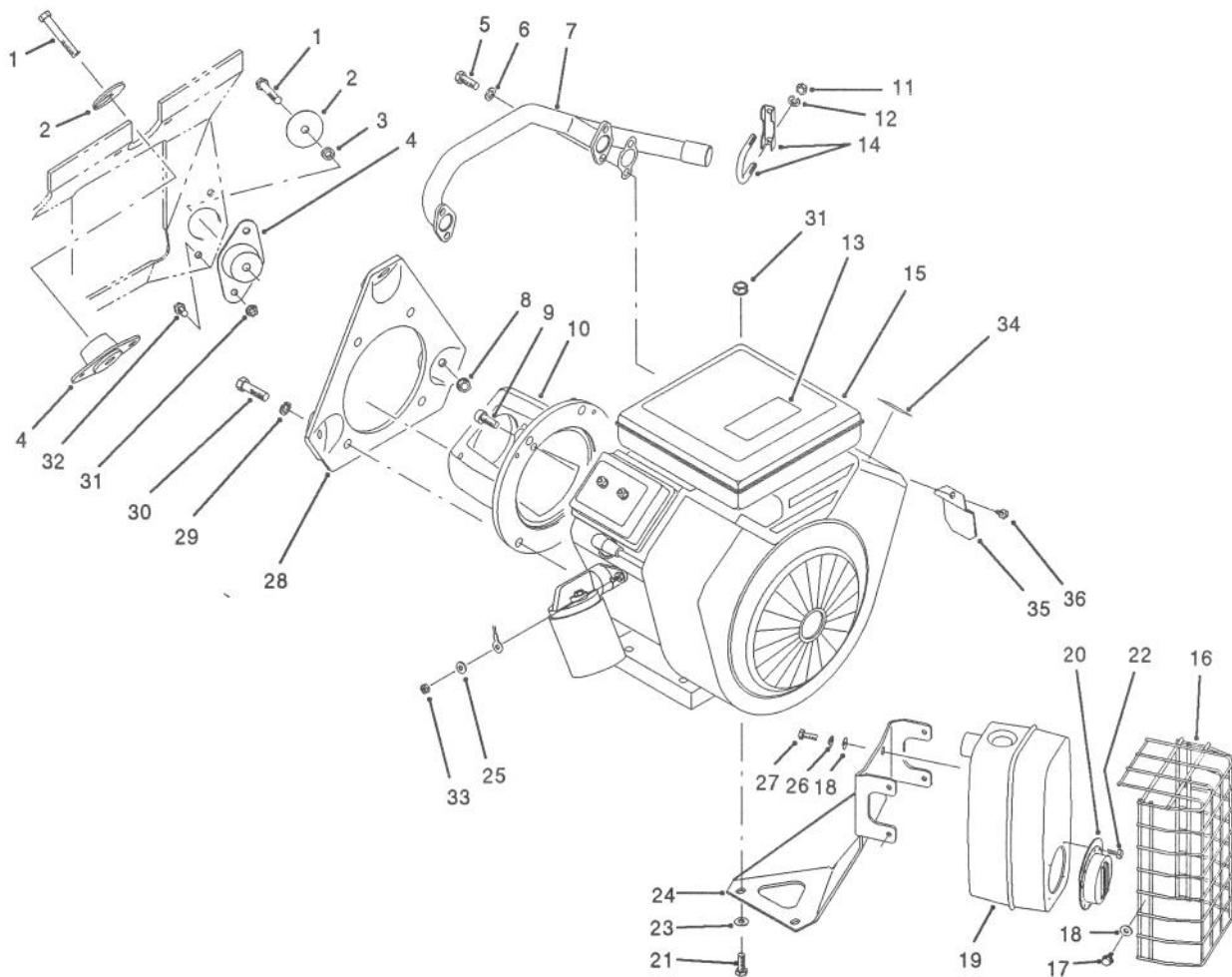
FUEL TANK ASSEMBLY

Ref. No.	Part No.	Description	No. Used
1	70-8631	Cap - Fuel	1
2	83-0920	Tank - Fuel	1
3	240-11	Grommet	4
4	63-8410	Washer - Flat	4
5	2412-41	Clamp - R	3
6	323-6	Screw - Cap Hex. Hd.	3
7	3256-63	Washer - Flat	1
8	83-2200	Nut - Special	1
9	48-7610	Screw - Cap Hex. Hd.	1

Ref. No.	Part No.	Description	No. Used
10	2412-94	Clamp - R	1
11	83-2041	Hose - Fuel	1
12	2412-108	Clamp - Hose	4
13	83-1320	Filter - Fuel	1
14	83-2040	Hose - Fuel	1
15	83-1390	Fiting - Fuel Shut-Off	1
16	2412-36	Clamp - Hose	2
17	56-2230	Hose - Fuel	1

HYDRAULIC SCHEMATIC





T-1293

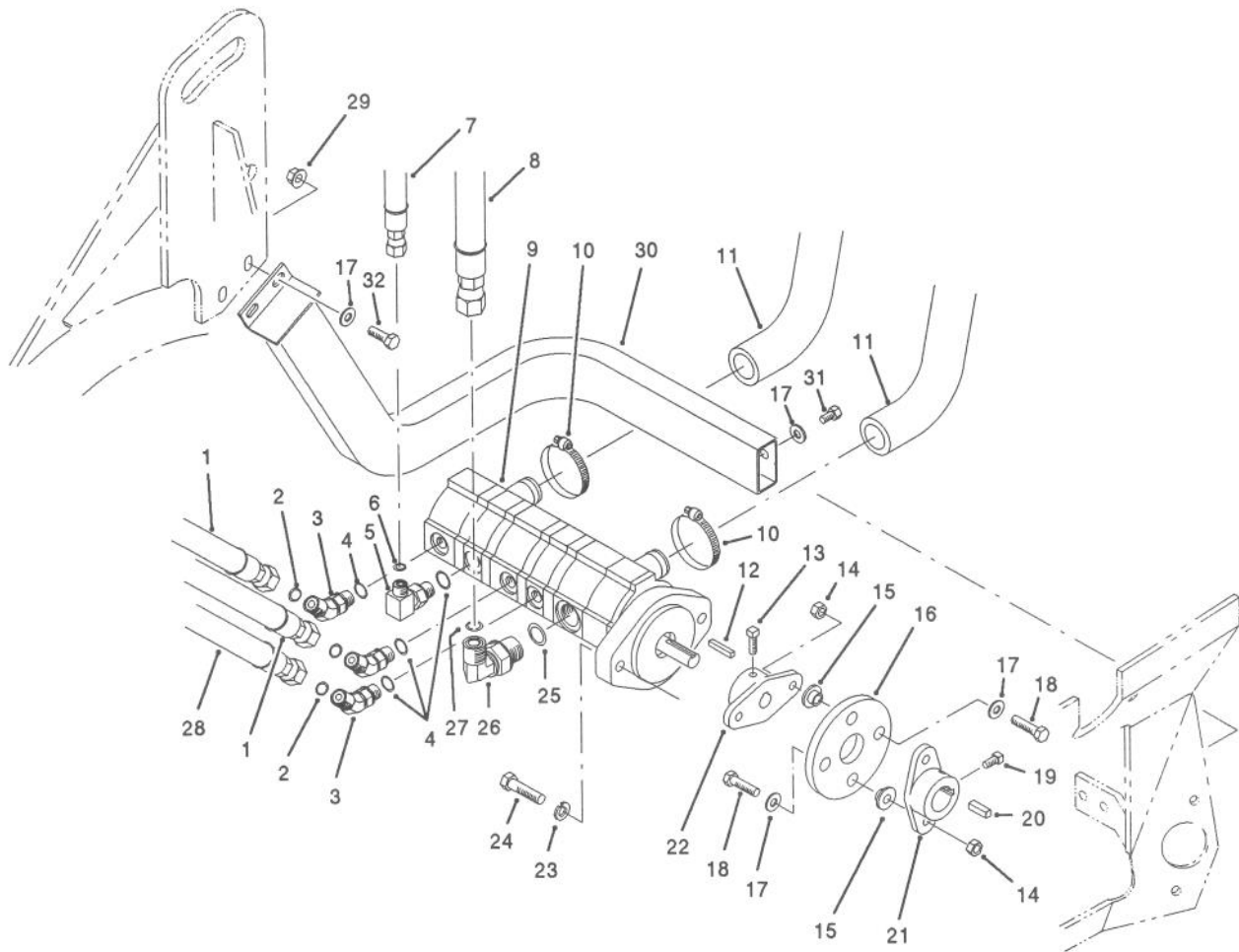
ENGINE INSTALLATION ASSEMBLY

Ref. No.	Part No.	Description	No. Used
1	323-12	Screw - Cap Hex. Hd.	3
2	83-1040	Washer - Mount	3
3	83-1050	Spacer - Mount	2
4	83-1030	Mount - Engine	3
†5		Screw - Cap Hex. Hd.	4
†6		Washer - Lock	4
7	83-1080	Pipe - Exhaust	1
8	3290-357	Nut - Flange Lock	3
9	3274-7	Screw - Socket Hd.	2
10	83-1060	Adapter - Pump	1
11		Nut - Hex.	2
12		Washer - Lock	2
‡13	71-3620	Decal - Engine RPM	1
14	2112-11	Clamp - Muffler (Incl. Ref. #11 & 12)	1
15	83-0010	Engine Assembly	1
16	83-1400	Shield - Muffler	1
17	32144-4	Screw - Hex. Washer Hd.	4
18	3256-1	Washer - Flat	8
19	83-1230	Muffler	1

Ref. No.	Part No.	Description	No. Used
20	83-2220	Deflector - Exhaust	1
21	322-7	Screw - Cap Hex. Hd.	2
22	83-2230	Screw - Cap Hex. Hd.	4
23	3256-23	Washer - Flat	2
24	83-1630	Bracket - Muffler Support	1
25	43-5930	Washer - Lock	1
26	3253-3	Washer - Lock	4
27	321-4	Screw - Cap Hex. Hd.	4
28	83-1020	Plate - Engine Mount	1
29	3253-6	Washer - Lock	4
30	324-6	Screw - Cap Hex. Hd.	4
31	32128-20	Nut - Flange Lock	8
32	322-3	Screw - Cap Hex. Hd.	6
33	43-2830	Nut - Hex	1
‡34	63-8440	Decal - Warning Hot	1
35	83-2310	Shield	1
†36		Screw - Cap Hex. Hd.	1
*	3290-378	Tie - Cable	2
*	250-6	Tie - Cable	2

*Not Illustrated ‡For different language versions of this part, see International Decal Cross Reference.

†Included With Engine Assembly

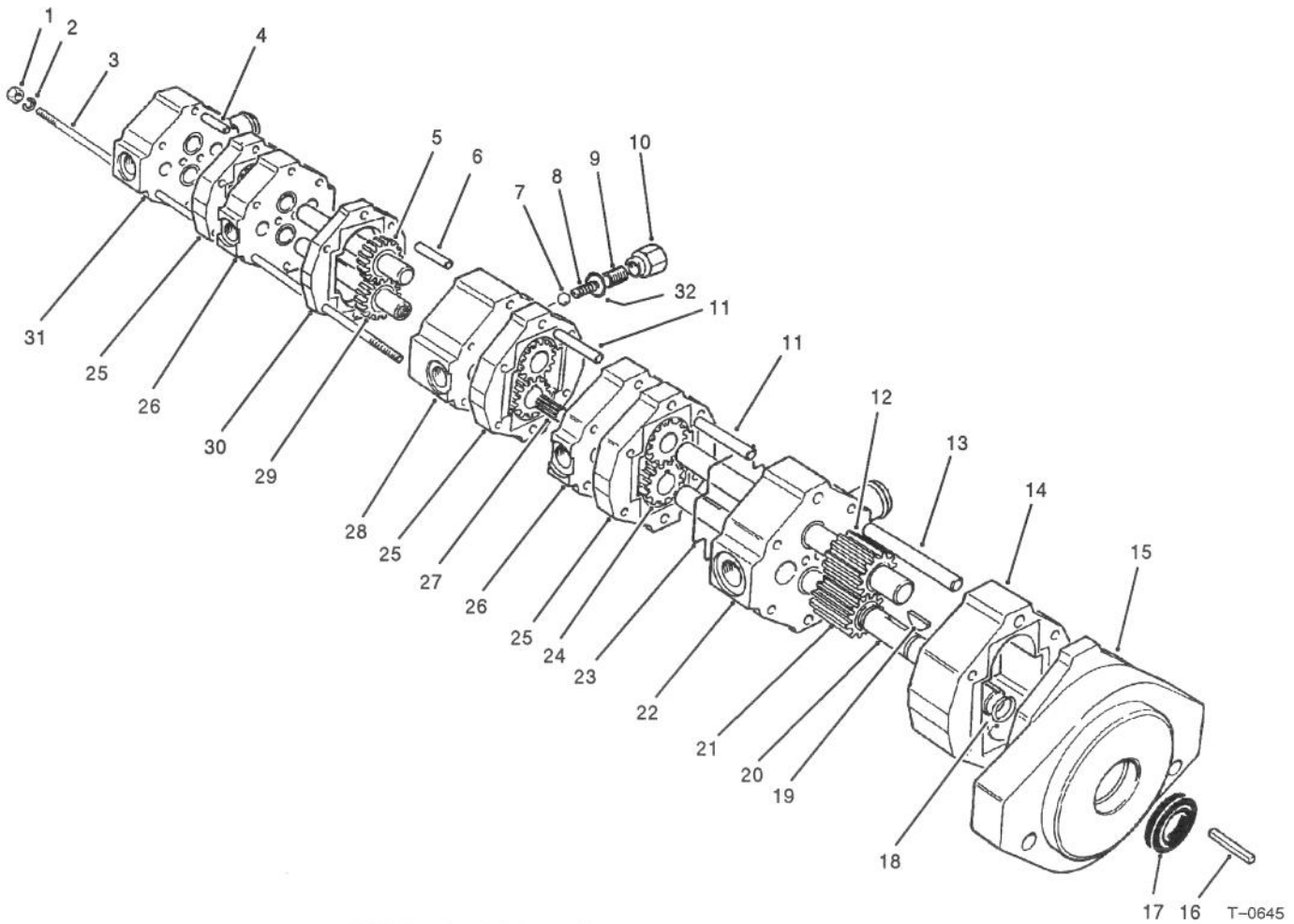


T-1292

HYDRAULIC PUMP INSTALLATION ASSEMBLY

Ref. No.	Part No.	Description	No. Used
1	83-1190	Hose - Hydraulic	2
2	237-22	Seal - O-Ring	3
3	340-87	Fitting - Hydraulic 45° (Incl. Ref. #2 & 4)	3
4	237-42	Seal - O-Ring	4
5	340-82	Fitting - Hydraulic 90° (Incl. Ref. #4 & 6)	1
6	237-21	Seal - O-Ring	1
7	83-1350	Hose - Hydraulic	1
8	83-1180	Hose - Hydraulic	1
9	68-4940	Hydraulic Pump Assembly (Incl. Ref. #12)	1
10	2412-34	Clamp - Hose	2
11	83-0910	Hose - Pump	2
12	5-0946	Key - Square	1
13	3241-6	Screw - Set Square Hd.	2
14	3296-29	Nut - Lock	4
15	27-6600	Spacer - Coupling	4

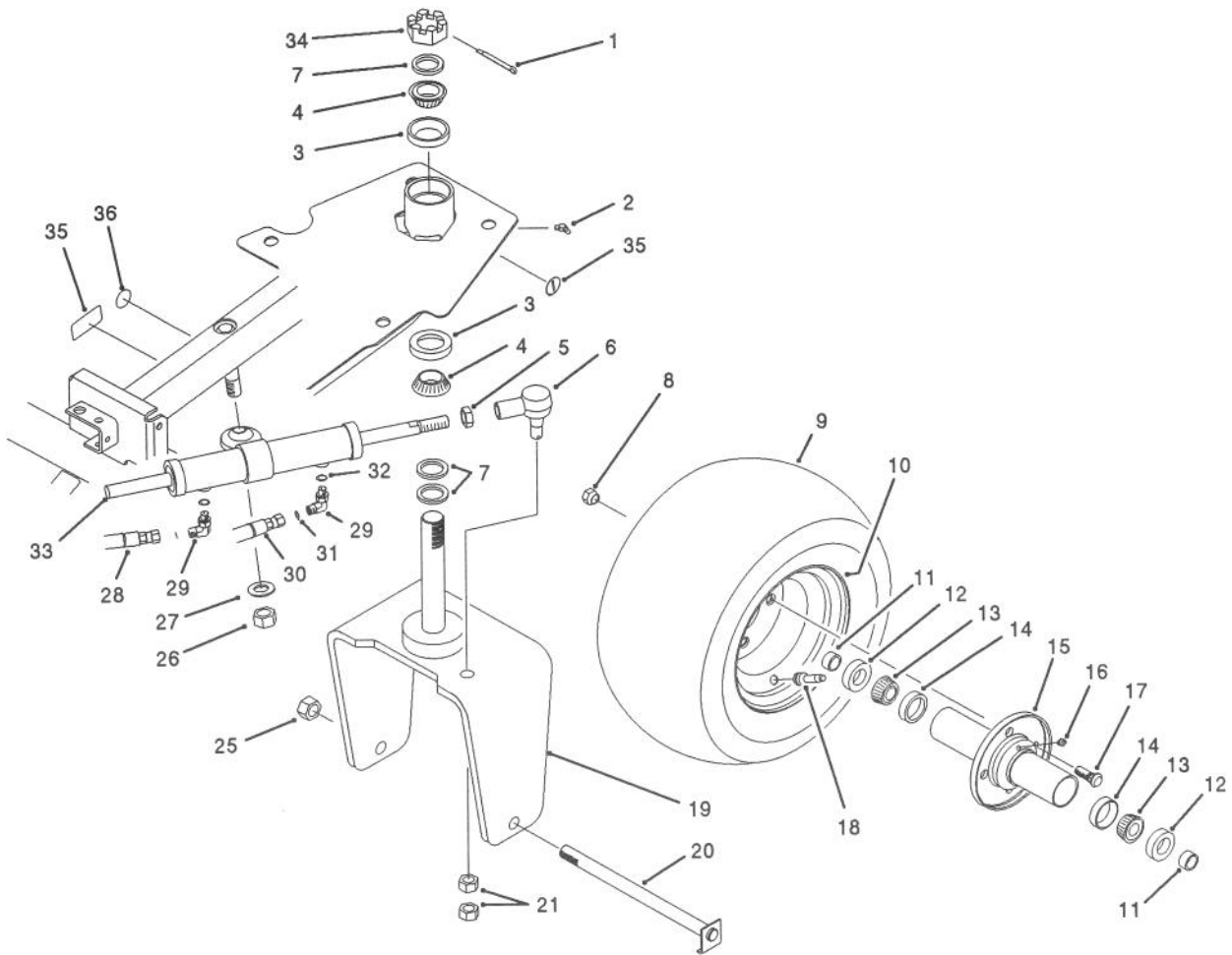
Ref. No.	Part No.	Description	No. Used
16	44-2230	Coupling - Rubber	1
17	3256-23	Washer - Flat	8
18	322-6	Screw - Cap Hex. Hd.	4
19	3241-2	Screw - Set Square Hd.	2
20	10-7070	Key - Square	1
21	27-1960	Hub - Engine	1
22	27-1970	Hub - Pump	1
23	3253-21	Washer - Lock	2
24	323-8	Screw - Cap Hex. Hd.	2
25	237-80	Seal - O-Ring	1
26	340-105	Fitting - Hydraulic 90° (Incl. Ref. #25 & 27)	1
27	237-30	Seal - O-Ring	1
28	83-1170	Hose - Hydraulic	1
29	32128-20	Nut - Flange Lock	2
30	83-1940	Guard - Pump	1
31	322-1	Screw - Cap Hex. Hd.	2
32	322-4	Screw - Cap Hex. Hd.	2



HYDRAULIC PUMP 68-4940

Ref. No.	Part No.	Description	No. Used
1	3217-6	Nut - Lock	4
2	354-16	Washer - Lock	4
3	354-17	Stud - Threaded	4
4	354-11	Pin - Dowel	2
5	354-9	Idler Shaft - Gear Assy.	1
6	354-12	Pin - Dowel	2
7		Ball - Valve	1
8		Spring - Compression	1
9		Adjuster - Valve	1
10		Cap - Adjuster, Valve	1
11	354-13	Pin - Dowel	4
12	354-10	Idler Shaft - Gear Assy.	1
13	354-14	Pin - Dowel	2
14	353-971	Plate - Gear 66B	1
15	354-2	Body Assembly	1
16	5-0946	Key - Square	1
17	354-15	Seal - Shaft	1

Ref. No.	Part No.	Description	No. Used
18	353-886	Ring - Retaining	2
19	353-884	Key - Woodruff	4
20	354-1	Shaft - Drive	1
21	353-964	Gear - 66B	1
22	354-3	Bearing Plate Assembly	1
23	353-922	Seal - Ring	10
24	353-967	Gear - 33B	6
25	353-969	Plate - Gear 33B	3
26	353-923	Bearing Plate Assembly	2
27	354-5	Adapter - Splined	1
28	354-4	Bearing Plate Assembly (Incl. Ref. #7-10 & 32)	1
29	354-8	Drive Shaft - Gear Assy.	1
30	354-6	Plate - Gear 18B	1
31	354-7	Cover Assembly	1
32	354-35	Gasket	1

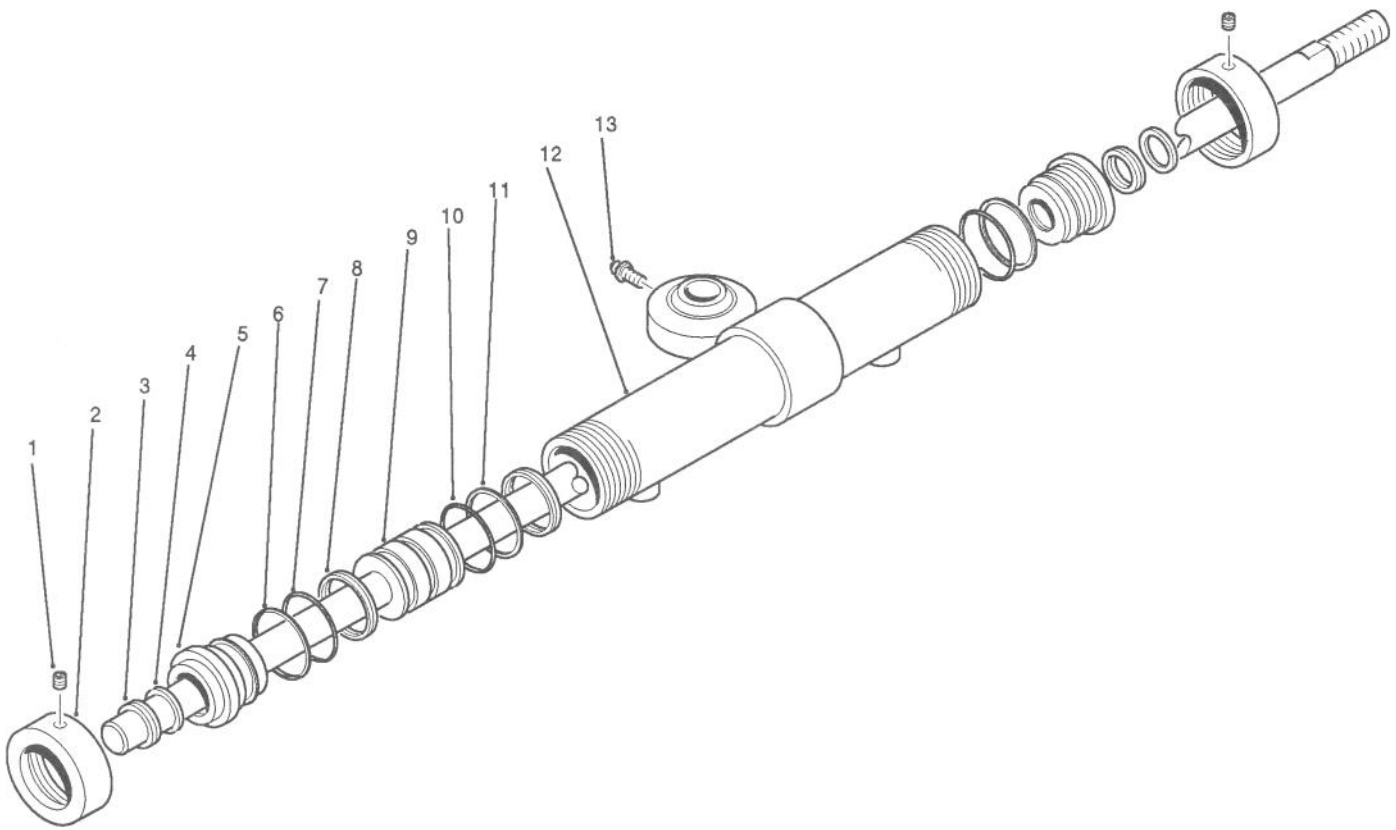


T-1288

REAR WHEEL ASSEMBLY

Ref. No.	Part No.	Description	No. Used
1	3272-37	Pin - Cotter	1
2	302-11	Fitting - Grease	1
3	254-61	Cup - Bearing	2
4	254-70	Cone - Bearing	2
5	20-9990	Nut - Jam	1
6	83-1640	Rod End Assembly	1
7	18-6320	Washer - Steering	3
8	242-50	Nut - Lug	4
9	28-3680	Tire	1
10	217-60	Rim	1
11	74-3730	Spacer - Hub	2
12	253-111	Seal - Shaft	2
13	254-78	Cone - Bearing	2
14	254-79	Cup - Bearing	2
15	75-9440	Hub - Wheel	1
16	302-55	Fitting - Grease	1
17	10-6830	Stud - Drive	4

Ref. No.	Part No.	Description	No. Used
18	232-24	Valve Stem w/Cap	1
19	83-0930	Fork - Castor	1
20	5-3934	Bolt - Castor	1
21	3220-6	Nut - Jam	2
25	3296-67	Nut - Lock	1
26	3217-12	Nut - Lock	1
27	3256-28	Washer - Flat	1
28	83-1350	Hose - Hydraulic	1
29	340-132	Fitting - Hydraulic 90° (Incl. Ref. #31 & 32)	2
30	83-1360	Hose - Hydraulic	1
31	237-21	Seal - O-Ring	2
32	237-78	Seal - O-Ring	2
33	83-2330	Hydraulic Cylinder Assy.	1
34	32136-9	Nut - Hex. Slotted	1
35	53-4860	Decal - Safety	1
36	58-6520	Decal - Grease	2



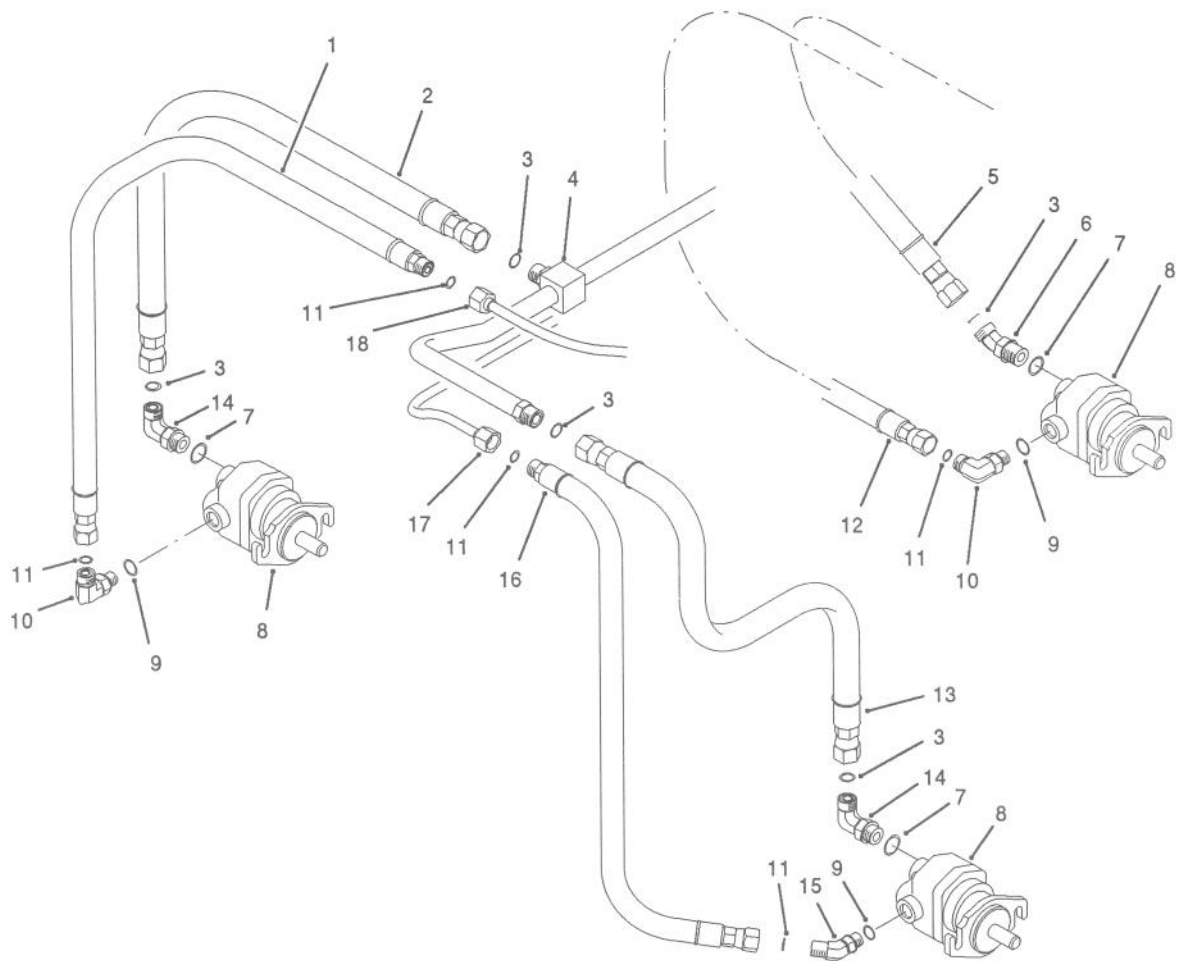
T-1313

HYDRAULIC CYLINDER ASSEMBLY NO. 83-2330

Ref. No.	Part No.	Description	No. Used
1	3245-1	Screw - Set, Hex. Soc. Hd.	2
2	83-2340	Cap - Threaded	2
3		Wiper - Rod	2
4		U-Cup - Double Lip	2
5	83-2350	Cap - Head, Thread	2
6		Ring - Back-Up	2
7		O-Ring	2
8		Ring - Wear	2

Ref. No.	Part No.	Description	No. Used
9	83-2360	Assembly - Rod	1
10		O-Ring	1
11		Ring - Piston, Urithane	1
12	83-2370	Assembly - Barrel	1
13	302-5	Fitting - Grease	1
*	83-2380	Kit - Seal Repair (Incl. Ref. #1-7)	1

*Not Illustrated

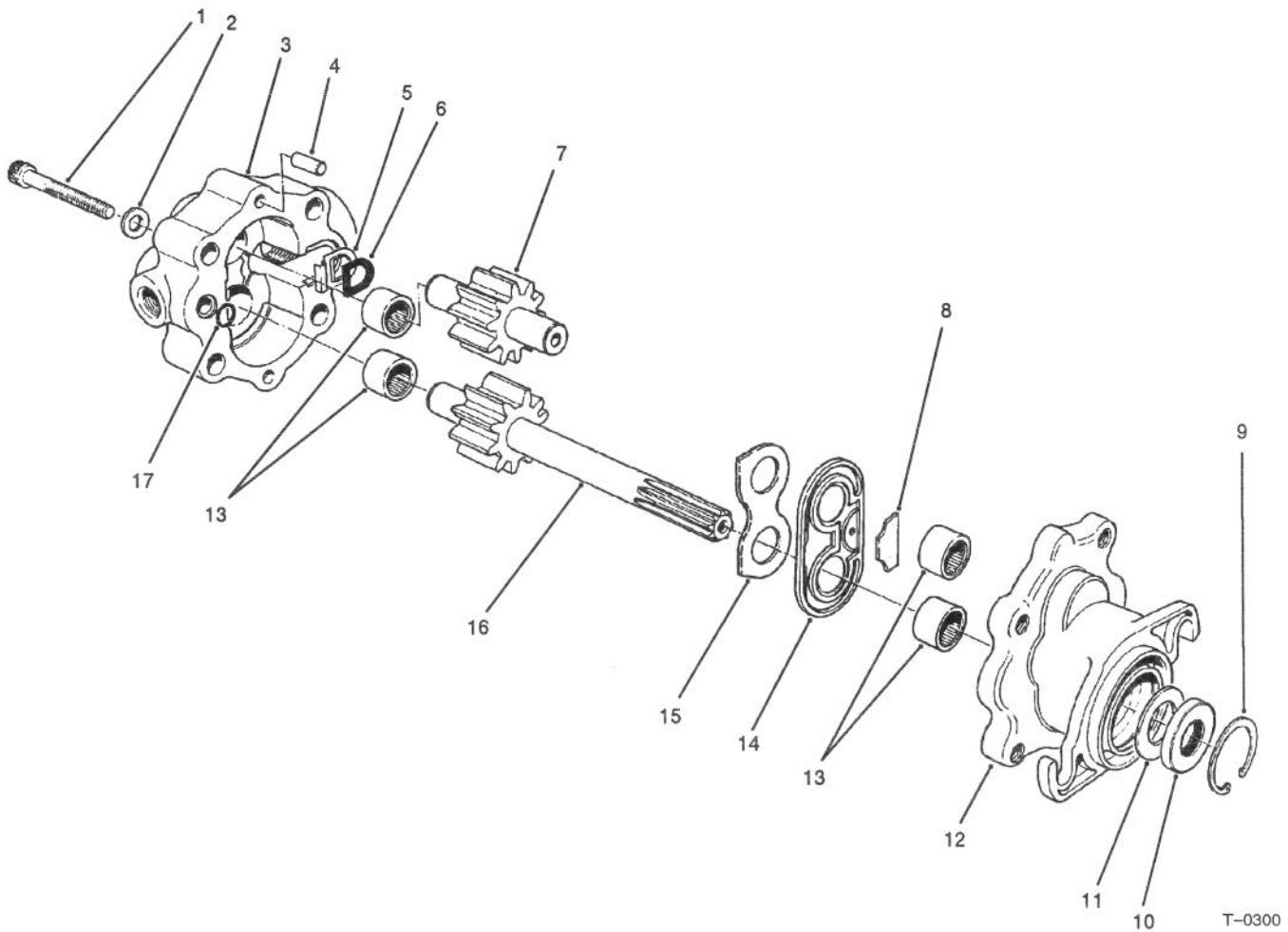


T-1297

REEL MOTOR INSTALLATION ASSEMBLY

Ref. No.	Part No.	Description	No. Used
1	63-3810	Hose - Hydraulic	1
2	63-3820	Hose - Hydraulic	1
3	237-30	Seal - O-Ring	5
4	63-4040	Hydraulic Tube Assembly (Incl. Ref. #3)	1
5	63-3840	Hose - Hydraulic	1
6	340-101	Fitting - Hydraulic 45° (Incl. Ref. #3 & 7)	1
7	237-79	Seal - O-Ring	3
8	70-9800	Reel Motor Assembly	3
9	237-42	Seal - O-Ring	3

Ref. No.	Part No.	Description	No. Used
10	340-77	Fitting - Hydraulic 90° (Incl. Ref. #9 & 11)	2
11	237-22	Seal - O-Ring	5
12	74-3830	Hose - Hydraulic	1
13	63-3830	Hose - Hydraulic	1
14	340-98	Fitting - Hydraulic 90° (Incl. Ref. #3 & 7)	2
15	340-87	Fitting - Hydraulic 45° (Incl. Ref. #9 & 11)	1
16	63-3870	Hose - Hydraulic	1
17	63-4020	Tube - Hydraulic	1
18	63-4030	Tube - Hydraulic	1

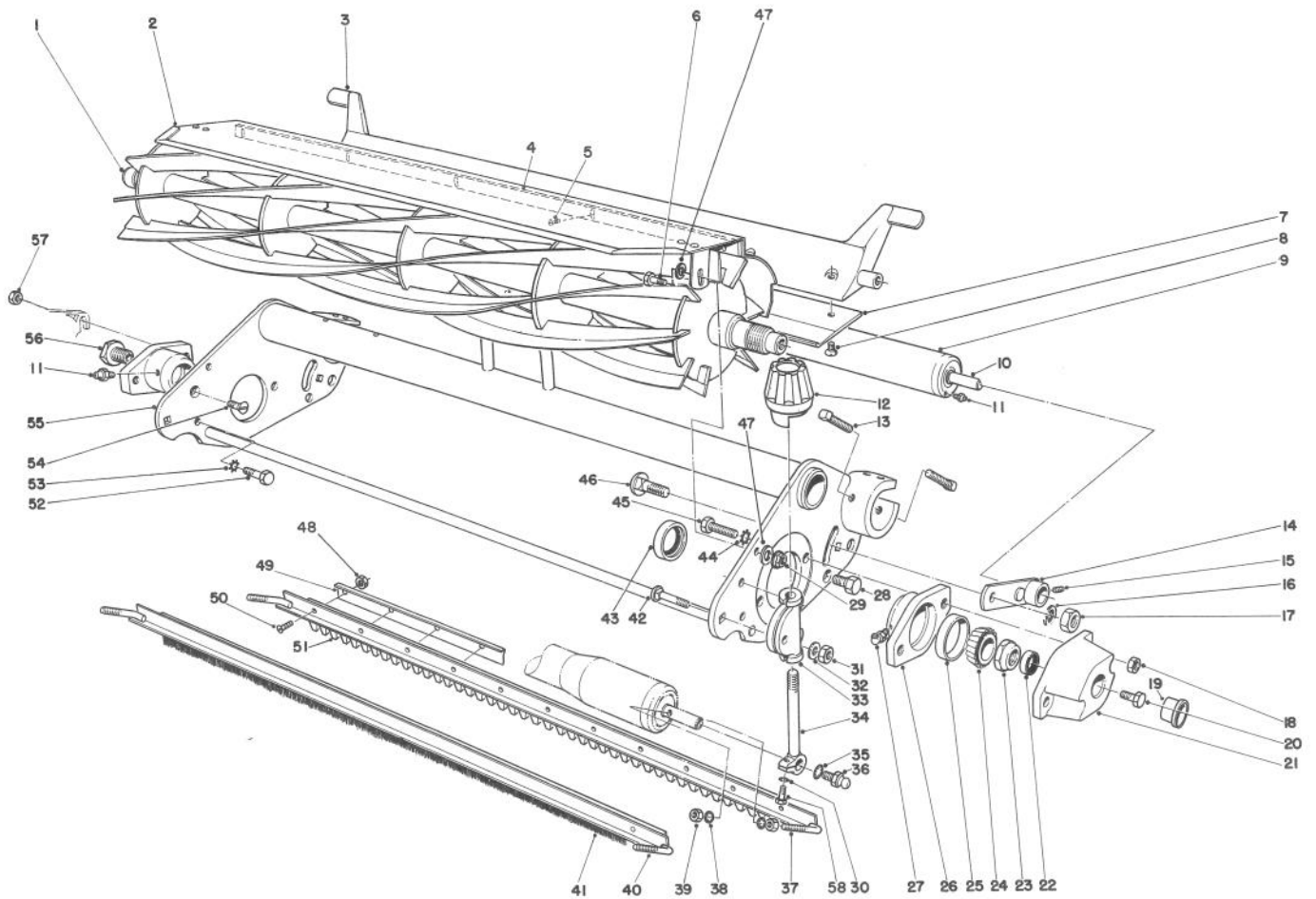


REEL MOTOR NO. 70-9800

Ref. No.	Part No.	Description	No. Used
1	353-601	Screw - Hex Socket Hd.	4
2	353-600	Washer	4
3	353-588	Cover - Motor	1
4	353-599	Pin - Dowel	2
5	353-597	Bridging - Insert	1
6	353-598	Gasket - Insert	1
7	353-593	Idler Gear Assembly	1
8	353-591	Block - Anti-Extrusion	1
9	32151-41	Ring - Retaining	1
10		Seal - Shaft	1
11		Spacer	1
12	353-777	Body - Motor (Incl. Ref. #13)	1

Ref. No.	Part No.	Description	No. Used
13	353-586	Bearing - Needle	4
14	353-594	Seal Assembly	1
15	353-595	Plate - Wear	1
16	353-592	Drive Shaft Assembly	1
17	353-596	O-Ring	1
*	72-4380	Seal Kit (Incl. Ref. #9-11)	1
*	72-4390	Repair Kit (Incl. Ref. #5, 6, 8-11, 14, 15 & 17)	1
*		Seal Installer	1
*		Seal Protector	1

*Not Illustrated



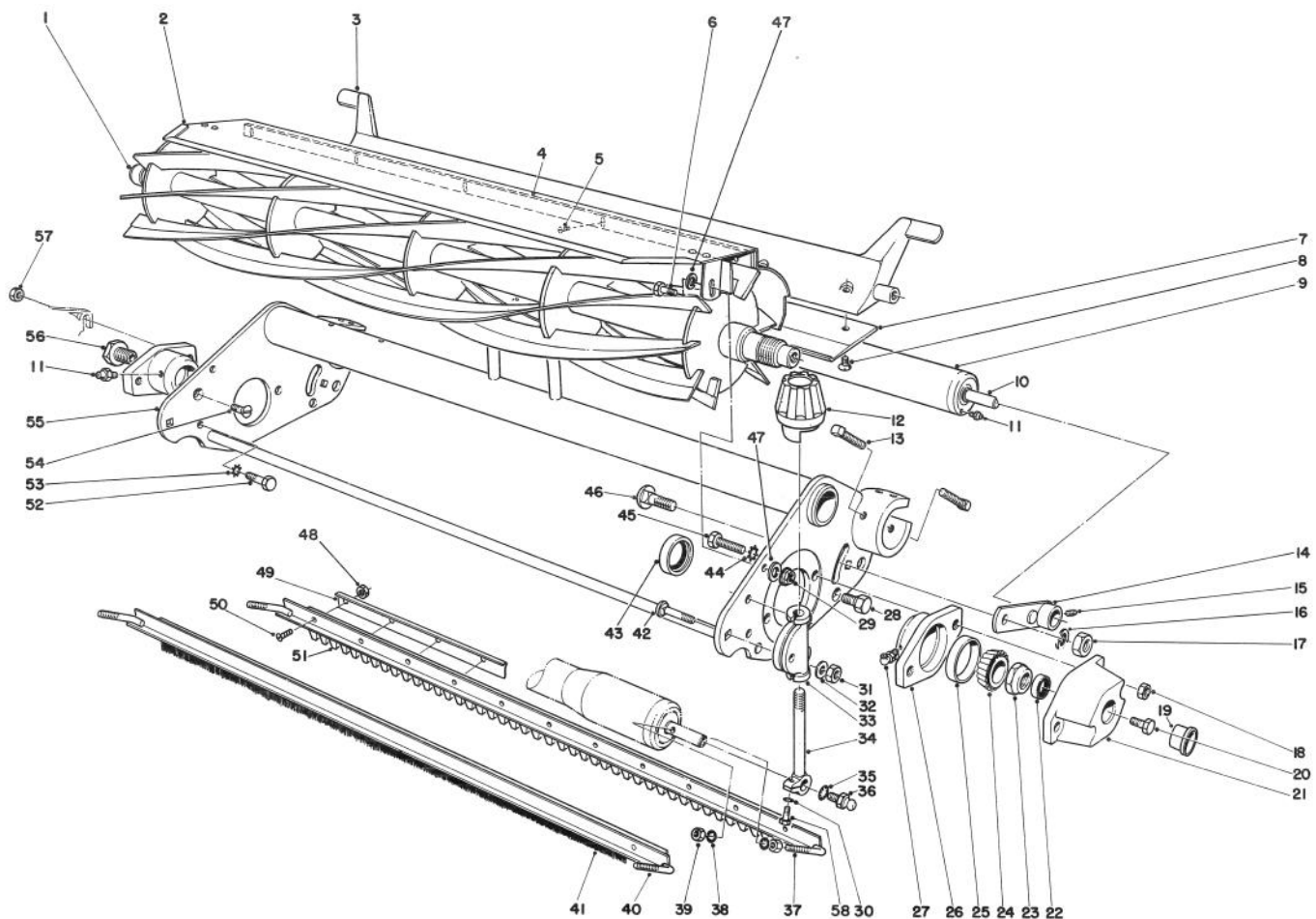
T-0307

CUTTING UNIT MODEL NO. 04405 & 04408

Ref. No.	Part No.	Description	No. Used
1	12-3599	Reel Assy. 8 Blade (04408)	1
*	12-8779	Reel Assy. 5 Blade (04405)	1
2	36-7190	Grass Shield	1
3	10-4930	Bed Bar	1
4	36-7260	Cut-Off Bar	1
5	32144-73	Screw - Round Hd.	5
6	321-5	Screw - Cap, Hex. Hd.	2
7	63-8500	Bed Knife 1/8"	1
*	62-2510	Bed Knife 3/16"	1
*	63-8550	Bed Knife - Tournament	1
*	63-8610	Bed Knife - Fairway	1
†8	57-4910	Screw - Special	7
9	21-8450	Rear Roller Assembly (Incl. Ref. #10 & 11)	1
10	21-8430	Rear Bearing	2
11	302-5	Fitting - Grease	3
12	65-8600	Knob - Height Adjustment	2
13	3243-13	Screw - Set, Sq. Hd.	4
14	27-2650	Height-of-Cut Adjustment	2
15	3290-125	Screw - Set	2
16	3253-7	Washer - Lock	2
17	3217-9	Nut - Lock	2
18	3296-39	Nut - Lock	2
19	12-0460	Caplug	1
20	323-2	Screw - Mach. Hex Hd.	1
21	10-5080	End Cap	1

Ref. No.	Part No.	Description	No. Used
22	253-61	Seal	1
23	3296-60	Stop Nut	1
24	254-94	Cone - Bearing	2
†25	254-72	Cup - Bearing	2
26	10-5120	Housing - Bearing	2
27	302-40	Fitting - Grease	1
28	217-74	Wheel Bolt	2
29	3296-42	Nut - Lock	2
30	3253-3	Washer - Lock	2
31	3296-29	Nut - Lock	2
32	3256-23	Washer - Flat	2
33	10-5060	Bracket Height of Cut	2
34	10-5010	Screw - Roller Adjustment	2
35	3254-6	Washer - Lock	2
36	2411-7	Ball Stud	2
37	11-0070	Scraper Comb Assembly (Incl. Ref. #48-51)	1
38	3254-8	Washer - Lock	4
39	3219-1	Nut - Hex	4
40	33-1000	Scraper Brush Assembly (Incl. Ref. #41) (Optional)	1
41	33-0630	Brush	1
42	3-7253	Bolt - Carriage	2
†43	253-96	Oil Seal	2
44	3255-9	Washer - Lock	4
45	57-3210	Screw - Mach. Special	4

*Not Illustrated



T-0307

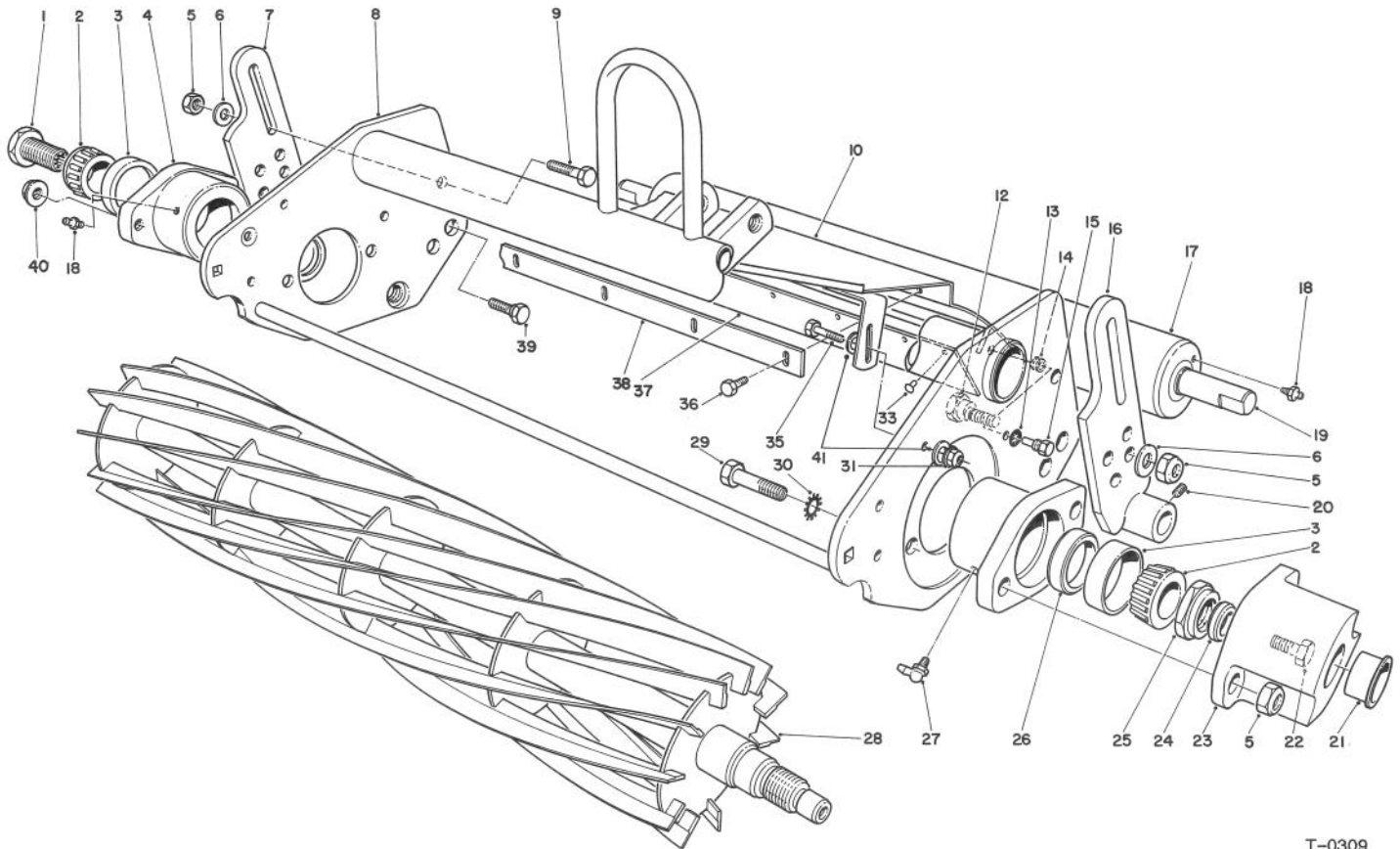
CUTTING UNIT MODEL NO. 04405 & 04408 (Continued)

Ref. No.	Part No.	Description	No. Used
46	3233-26	Bolt - Carriage	2
47	3256-22	Washer - Flat	4
48	3296-9	Nut - Lock	11
49	8-2520	Support Comb	1
50	3249-3	Screw - Round Head	11
51	8-2530	Comb - Urethane	1
52	322-5	Screw - Cap, Hex. Hd.	2
53	3255-8	Washer - Lock	2
54	32108-20	Screw - Flat Head	2
55	70-1100	Frame - Reel	1

Ref. No.	Part No.	Description	No. Used
56	10-5100	Nut - Spline	1
57	32128-36	Nut - Nut, Flange	2
58	321-4	Screw - Cap, Hex. Hd.	2
*	13-8199	Bar Adj. Gauge (Includes †)	1
*	37-8130	Grass Basket Assy.	3
*†	32122-22	Screw - Truss Head	1
*†	3219-14	Nut - Hex	1

*Not Illustrated

†Special Tool for Installation



T-0309

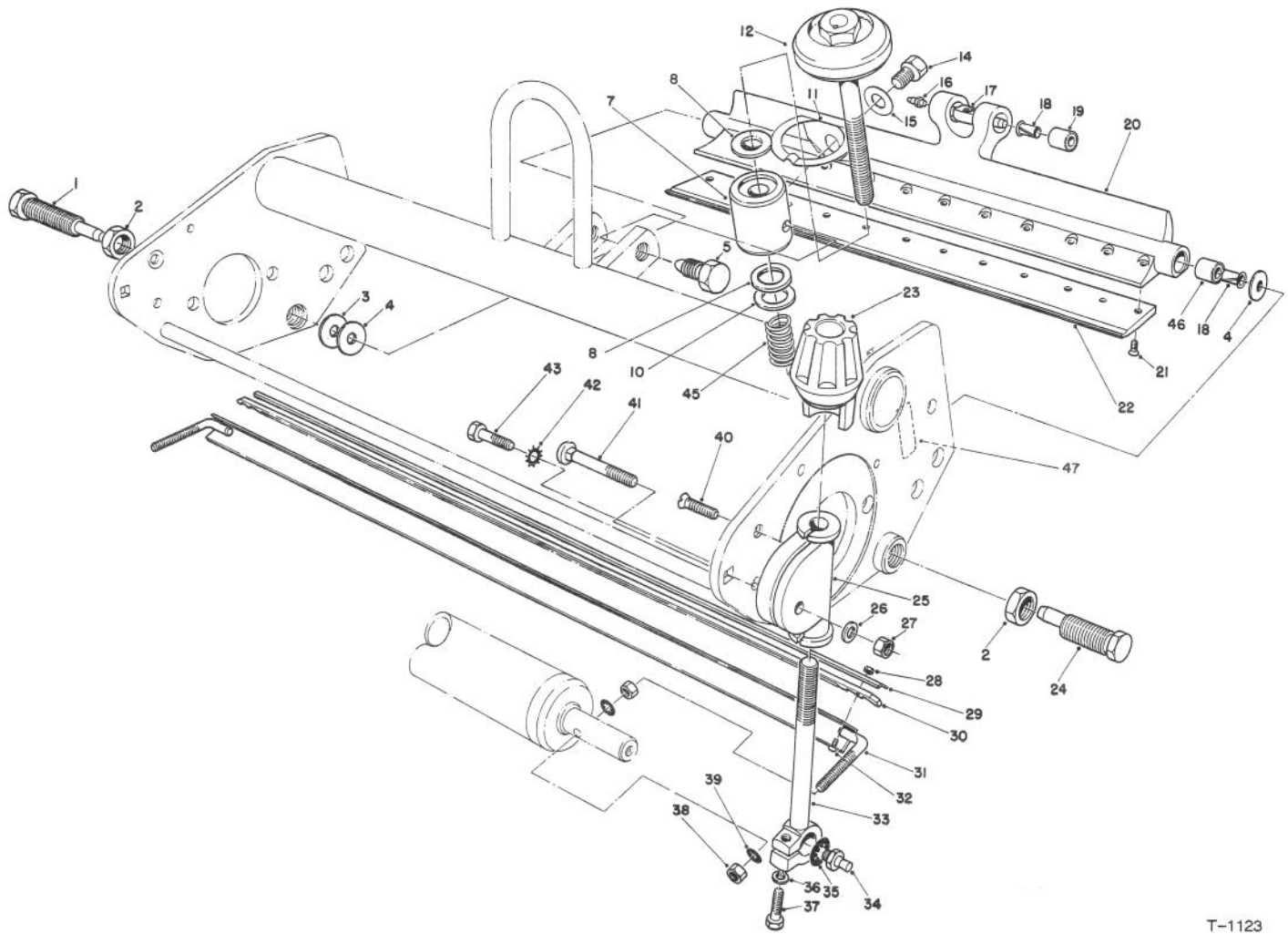
CUTTING UNIT MODEL NO. 04450 (11 Blade) CUTTING UNIT MODEL NO. 04468 (8 Blade)

Ref. No.	Part No.	Description	No. Used
1	77-0340	Nut - Spline	1
2	254-94	Cone - Bearing	2
†3	254-72	Cup - Bearing	2
4	10-5120	Housing - Bearing	2
5	3296-39	Nut - Lock	6
6	3256-24	Washer - Flat	4
7	77-1060	Bracket - Height of Cut (R.H.)	1
8	70-1200	Frame - Reel	1
9	323-7	Screw - Cap, Hex Hd.	2
10	57-5200	Grass Shield Assembly (Incl. Ref. #33 & 37)	1
12	52-3100	Bolt - Eccentric (Height of Cut L.H.)	1
13	3254-6	Washer - Lock	2
14	237-84	Grommet	2
15	57-9910	Screw - Pivot	2
16	77-1080	Bracket - Height of Cut (L.H.)	1
17	52-3120	Rear Roller Assembly (Incl. Ref. #18 & 19)	1
18	302-5	Fitting - Grease	3
19	21-8430	Bearing - Rear Roller	2
20	3246-2	Screw - Set	2
21	12-0460	Caplug	1
22	323-2	Screw - Machine, Hex Hd.	1

Ref. No.	Part No.	Description	No. Used
23	65-8600	Cap-End	1
24	253-61	Seal	1
25	3296-60	Nut - Lock	1
26	253-96	Seal	2
27	302-40	Fitting - Grease	1
28	12-2789	Reel - 11 Blade (Model No. 04450)	1
*	12-3599	Reel - 8 Blade (Model No. 04468)	1
29	57-3210	Screw - Machine, Special	4
30	3255-9	Washer - Lock	4
31	3296-42	Nut - Lock	2
33	3295-46	Rivet	13
35	321-5	Screw - Cap, Hex Hd.	2
36	32144-73	Screw - Self Tapping	5
37	57-5210	Flap - Shield	1
38	36-7260	Cut-Off Bar	1
39	52-3110	Bolt - Shoulder (Height of Cut R.H.)	1
40	32128-36	Nut - Lock, Flange	2
41	3256-22	Washer - Flat	4
*	13-8199	Bar Adj. Gauge (Includes †)	1
*†	32122-2	Screw - Truss Hd.	1
*†	3219-14	Nut - Hex	1
*‡		Backlapping Brush Assy.	1

*Not Illustrated

†Special Tool for Installation



T-1123

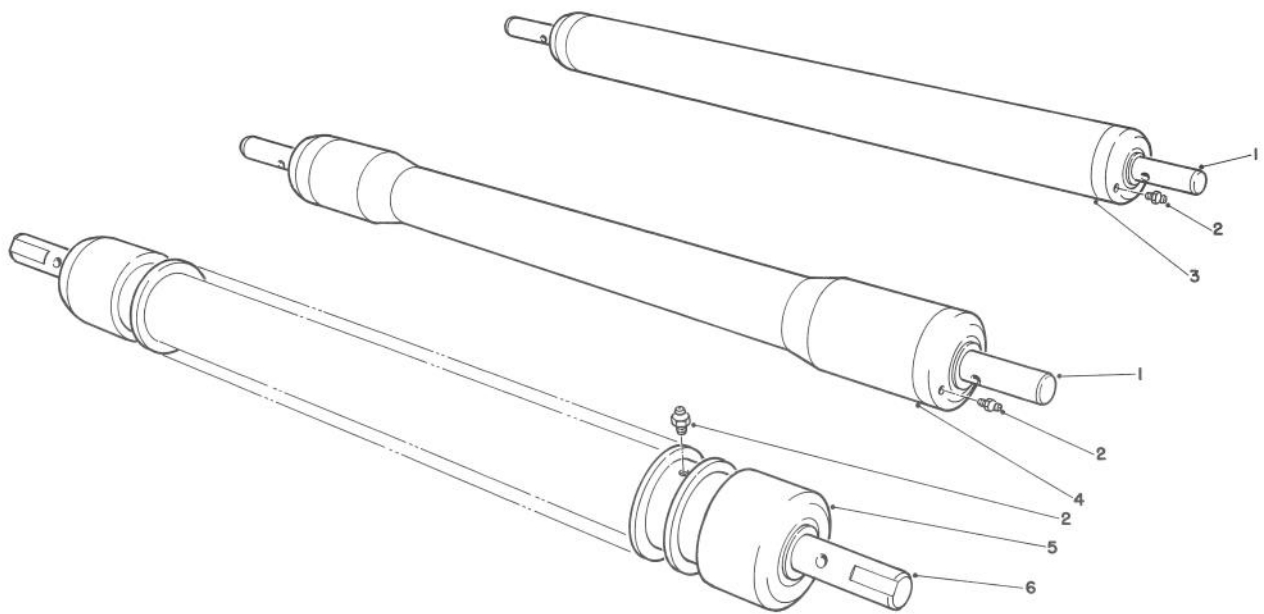
BEDBAR & SCRAPER COMB ASSEMBLY FOR CUTTING UNIT MODEL NO. 04450 & 04468

Ref. No.	Part No.	Description	No. Used
1	52-2930	Bolt - Adjustment Shoulder	1
2	3220-6	Nut - Hex ,Jam	2
3	52-2860	Washer	1
4	52-2900	Washer - Poly	2
5	66-7240	Screw - Pivot SPA	2
7	77-0330	Pivot - Single Point Adjust.	1
8	77-0350	Retainer - Bearing	2
10	257-5	Washer - Steel	2
11	66-7220	Arm - Spring	1
12	77-0300	Handle Assembly	1
14	324-25	Screw - Cap, Hex. Hd.	1
15	3256-25	Washer - Flat	1
16	302-18	Fitting - Grease	1
17	57-5260	Pivot - Bedbar	1
18	52-2890	Bushing - Flanged	4
19	62-5510	Rubber Bushing Assembly	2
20	57-4940	Bedbar	1
†21	57-4910	Screw - Special	13
22	63-8470	Bed Knife 1/8"	1
*	62-2500	Bed Knife 3/16"	1
*	63-8560	Bed Knife - Tournament	1
*	63-8600	Bedknife - Fairway	1
23	65-8600	Knob - Height Adjustment	2
24	52-2910	Bolt - Eccentric Shoulder (L.H.)	1
25	10-5060	Bracket - Height of Cut	2

Ref. No.	Part No.	Description	No. Used
26	3256-23	Washer - Flat	2
27	3296-29	Nut - Lock	2
28	3296-9	Nut - Lock	1
29	8-2520	Support - Comb	1
30	8-2530	Comb - Urethane	1
31	11-0070	Scraper Comb Assembly (Incl. Ref. #28-30 & 32)	1
32	3249-3	Screw - Round Hd.	11
33	10-5010	Screw - Roller Adjustment	2
34	2411-7	Ball Stud	2
35	3254-6	Washer - Lock	2
36	3253-3	Washer - Lock	2
37	321-4	Screw - Cap, Hex Hd.	2
38	3219-1	Nut - Hex	4
39	3254-8	Washer - Lock	4
40	32108-20	Screw - Machine, Flat Hd.	2
41	3-7253	Bolt - Carriage	2
42	3255-8	Washer - Lock	2
43	322-5	Screw - Cap, Hex Hd.	2
44	66-7230	Spring - Compression	1
46	63-9510	Rubber Bushing Assembly	2
47	77-0490	Decal - Bolt, Eccentric	1
*	37-8130	Grass Basket Assembly	2
*	13-3659	Overhaul Kit	1
*†		Tool - Bed Knife Screw	1

*Not Illustrated

*†Special Tool for Installation

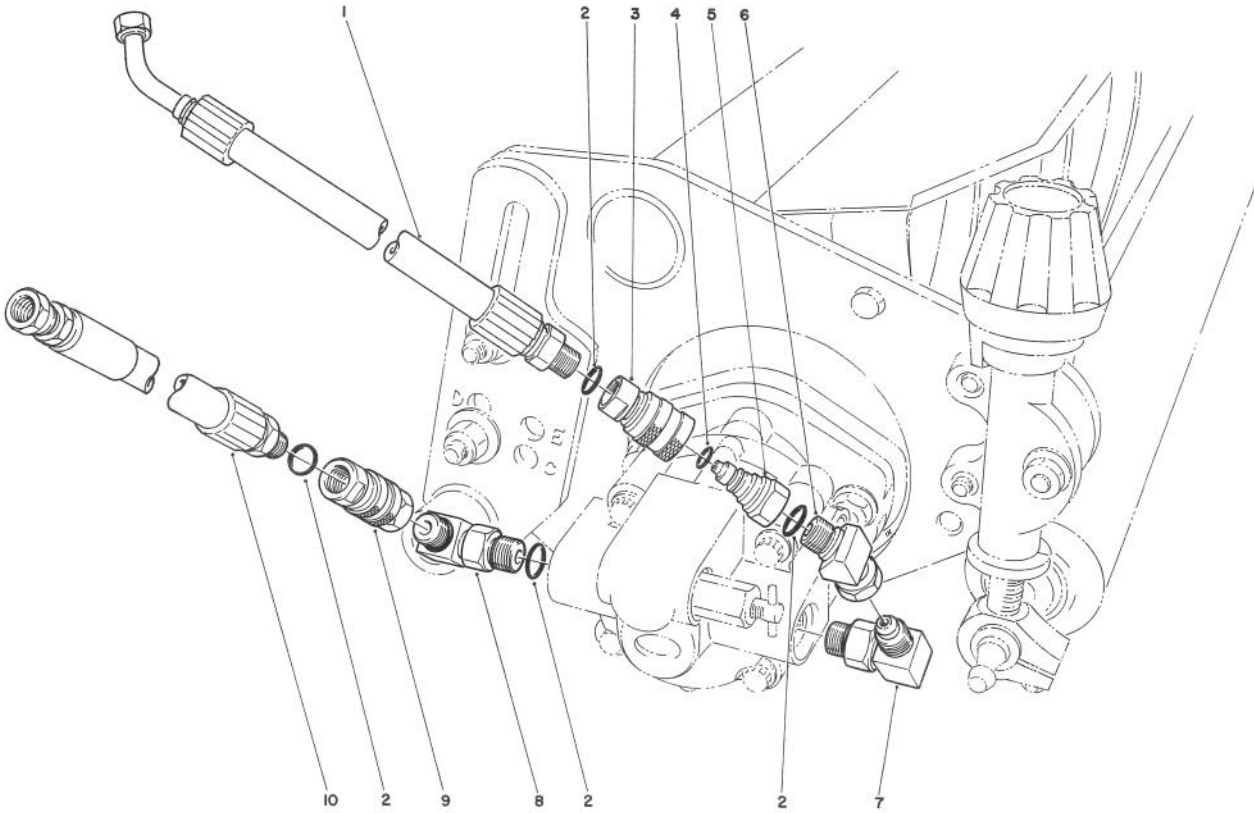


T-0956

CUTTING UNIT ROLLER OPTIONS

Ref. No.	Part No.	Description	No. Used	Ref. No.	Part No.	Description	No. Used
1	52-3180	Bearing - Front Roller	2	5	71-1550	Wiehle Roller Assembly (Incl. Ref. #2 & 6)	1
2	302-5	Fitting - Grease	2	6	52-3210	Bearing - Wiehle Roller	2
3	52-3170	Full Front Roller Assembly (Incl. Ref. #1 & 2)	1	*	04412	Full Roller Carton of 3	1
4	52-3590	Swaged Roller Assembly (Incl. Ref. No.1 & 2)	1	*	04414	Swaged Roller Carton of 3	1
				*	04424	Wiehle Roller Carton of 3	1

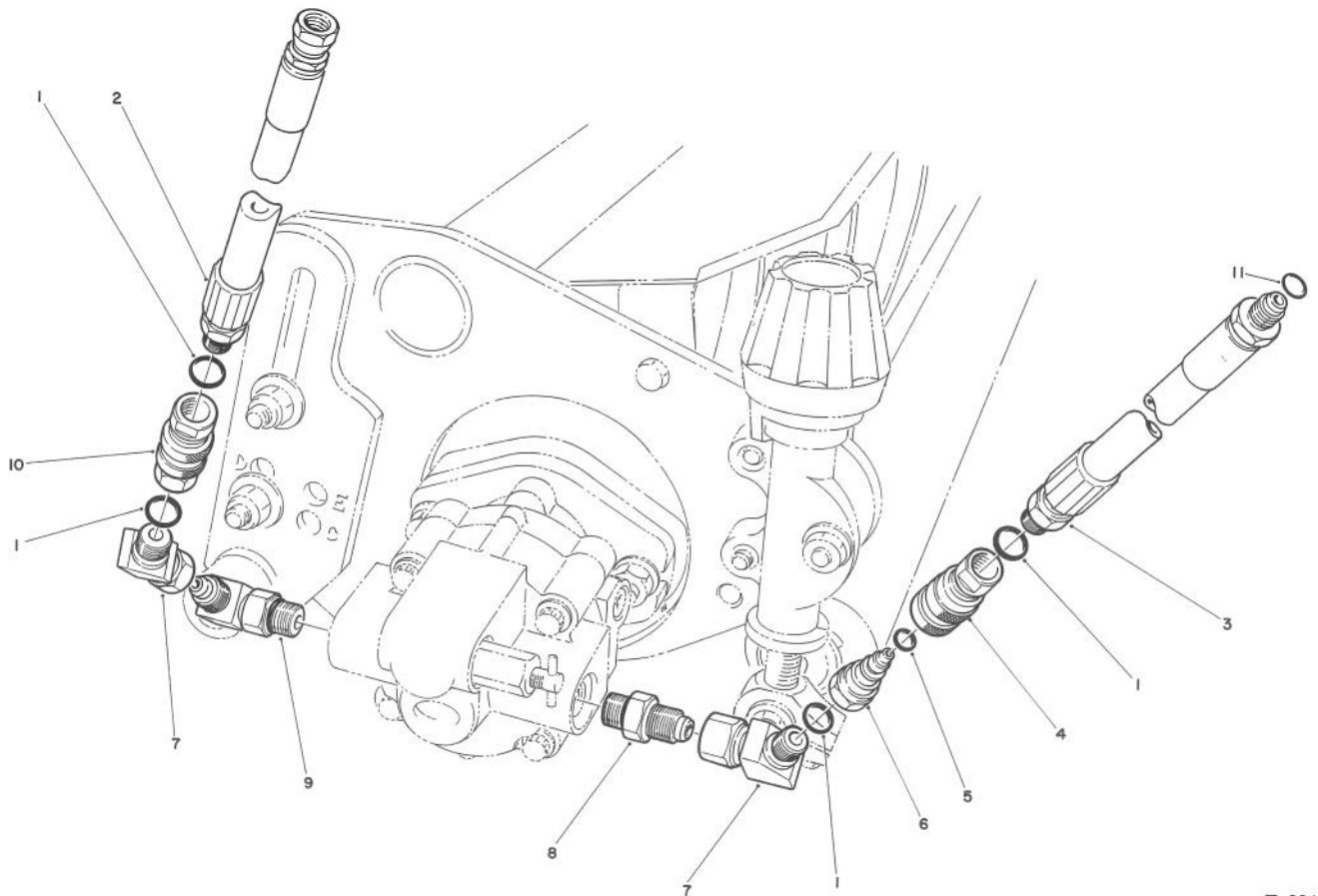
*Not Illustrated



T-0316

BACKLAPPING KIT NO. 63-4960 (Optional) #1 Cutting Unit

Ref. No.	Part No.	Description	No. Used	Ref. No.	Part No.	Description	No. Used
1	70-9960	Hose Assembly - Pressure (Incl. Ref. #2)	1	7	353-374	Fitting - 90° Adjustable El.	1
2	237-42	O-Ring	6	8	54-9540	Fitting - 90° Adjustable El. (Incl. Ref. #2)	1
3	353-934	Coupling	2	9	54-9620	Coupling - Quick Disconn. (Incl. Ref. #3-5)	2
4	237-142	O-Ring	2	10	70-9950	Hose Assembly - Return (Inc. Ref. #2)	1
5	353-933	Coupling	2				
6	54-9530	Fitting - 45° Swivel Elbow (Incl. Ref. #2)	1				

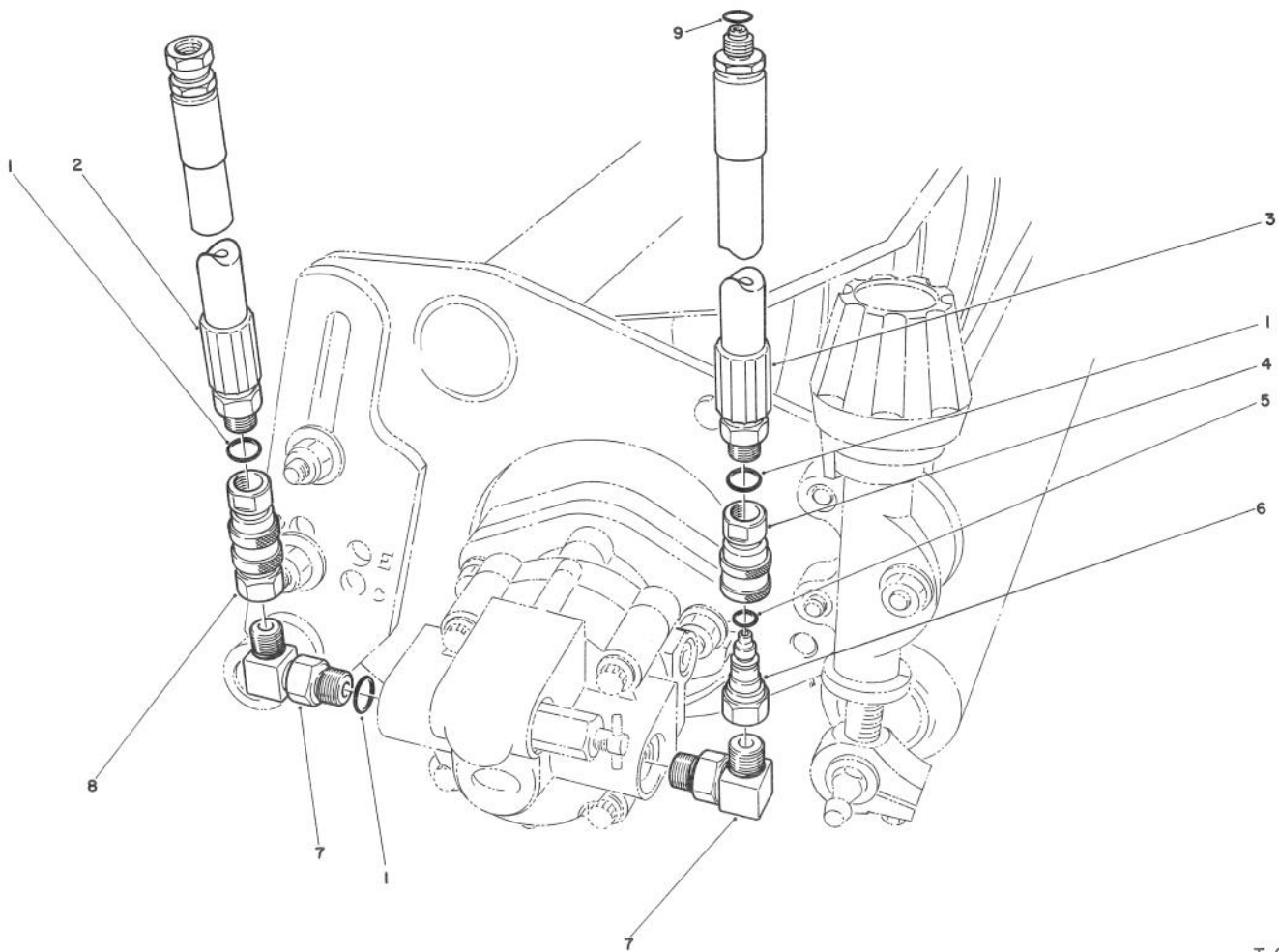


T-0317

BACKLAPPING KIT NO. 63-4960 (Cont.) #2 Cutting Unit

Ref. No.	Part No.	Description	No. Used
1	237-42	O-Ring	6
2	70-9950	Hose Assembly - Return (Incl. Ref. #1)	1
3	70-9940	Hose Assembly - Pressure (Incl. Ref. #1 & 11)	1
4	353-934	Coupling	2
5	237-142	O-Ring	2
6	353-933	Coupling	2

Ref. No.	Part No.	Description	No. Used
7	54-9530	Fitting - 45° Swivel Elbow (Incl. Ref. #1)	2
8	353-384	Fitting - Straight	1
9	353-374	Fitting - 90° Adjustable El.	1
10	54-9620	Coupling - Quick Disconn. (Incl. Ref. #4-6)	2
11	237-22	O-Ring	1

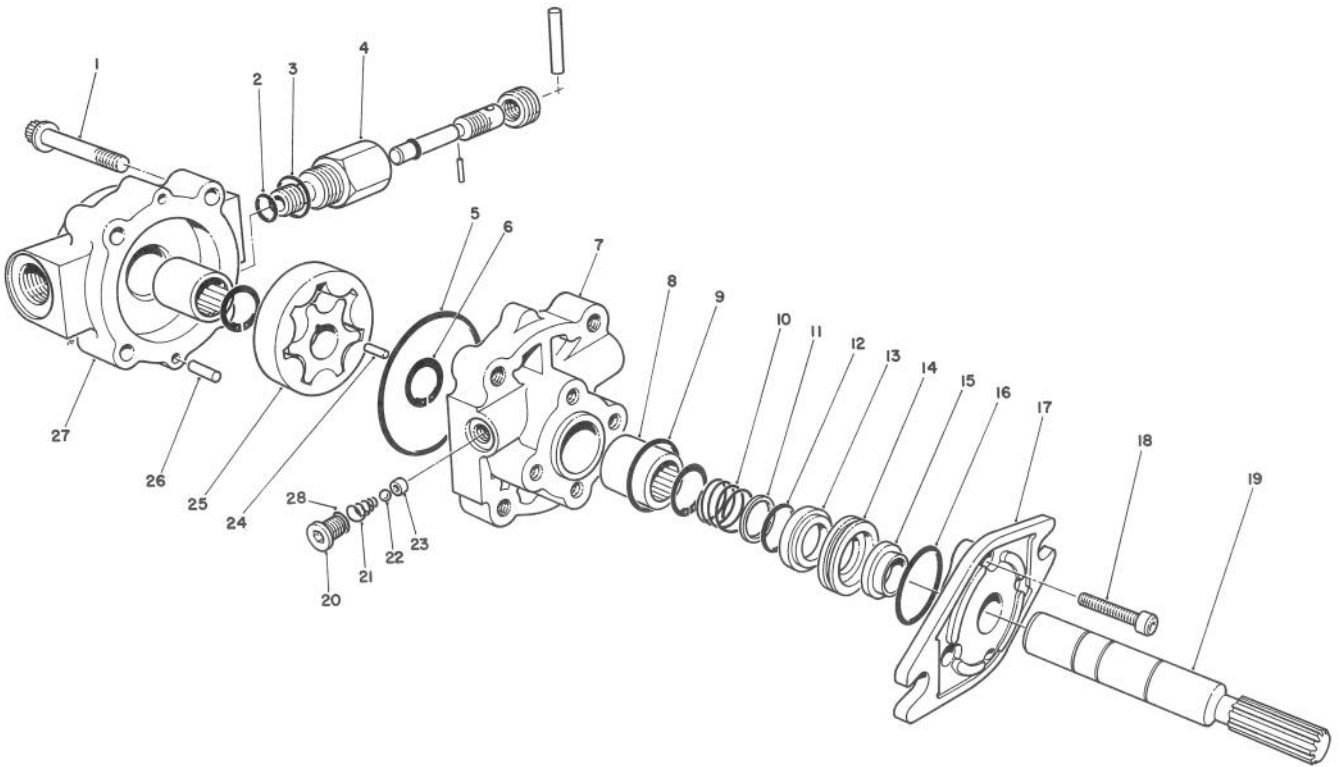


T-0318

BACKLAPPING KIT NO. 63-4960 (Cont.) No. 3 Cutting Unit

Ref. No.	Part No.	Description	No. Used
1	237-42	O-Ring	6
2	70-9950	Hose Assembly - Return (Incl. Ref. #1)	1
3	70-9940	Hose Assembly - Pressure (Incl. Ref. #1 & 9)	1
4	353-934	Coupling	2
5	237-142	O-Ring	2

Ref. No.	Part No.	Description	No. Used
6	353-933	Coupling	2
7	353-374	Fitting - 90° Adjustable El. (Incl. Ref. #1)	2
8	54-9620	Coupling - Quick Disconn. (Incl. Ref. #4-6)	2
9	237-22	O-Ring	1



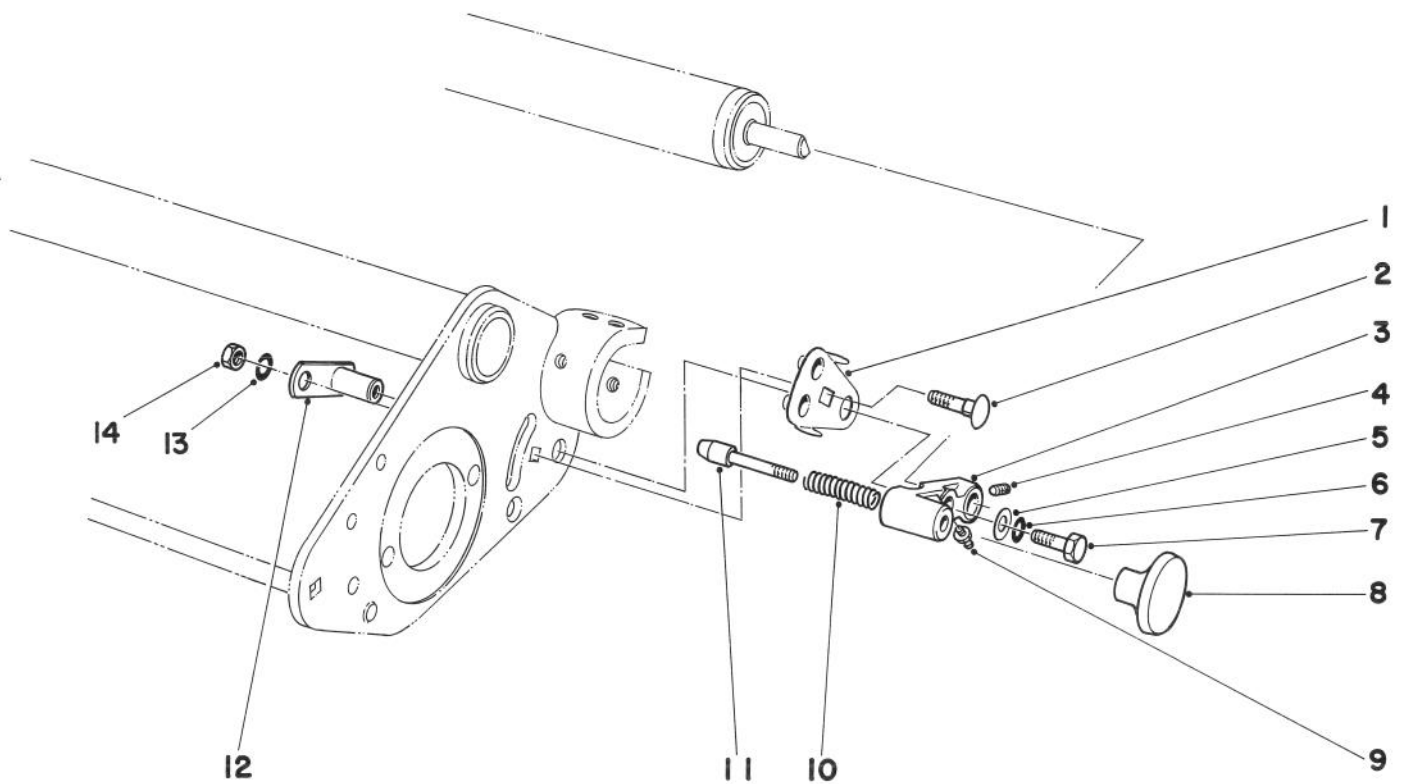
T-0319

BACKLAPPING KIT NO. 63-4960 (Cont.)

Ref. No.	Part No.	Description	No. Used
1	353-892	Screw- 12 Pt.	4
2	353-850	O-Ring	1
3	353-914	O-Ring	1
4	54-9520	Valve - By-Pass (Incl. Ref. #2 & 3)	1
5		O-Ring	1
6	353-907	Ring - Retaining	3
7	353-895	Cover (Incl. Ref. #23)	1
8	353-910	Bearing - Needle	2
9		O-Ring	1
10	353-906	Spring	1
11	353-897	Washer-Seal	1
12		O-Ring	1
13	353-899	Cup - Seal	1
14		Seat - Seal	1
15		Seal - Block	1

Ref. No.	Part No.	Description	No. Used
16		O-Ring	1
17	353-900	Flange - Mounting	1
18	353-905	Screw	4
19	353-904	Shaft	1
20	353-911	Plug	2
21	353-912	Spring - Conical	2
22	353-664	Ball	2
23		Seat	2
24	353-893	Pin - Drive	1
25	353-909	Element - Gerotor	1
26	353-894	Pin - Dowel	2
27	353-891	Body	1
28	237-156	O-Ring	2
*	353-913	Bearing & Seal Kit (Incl. Ref. #5, 8, 9 & 12-16)	1
*	54-9510	Motor & By-Pass Assy. (Complete)	3

*Not Illustrated

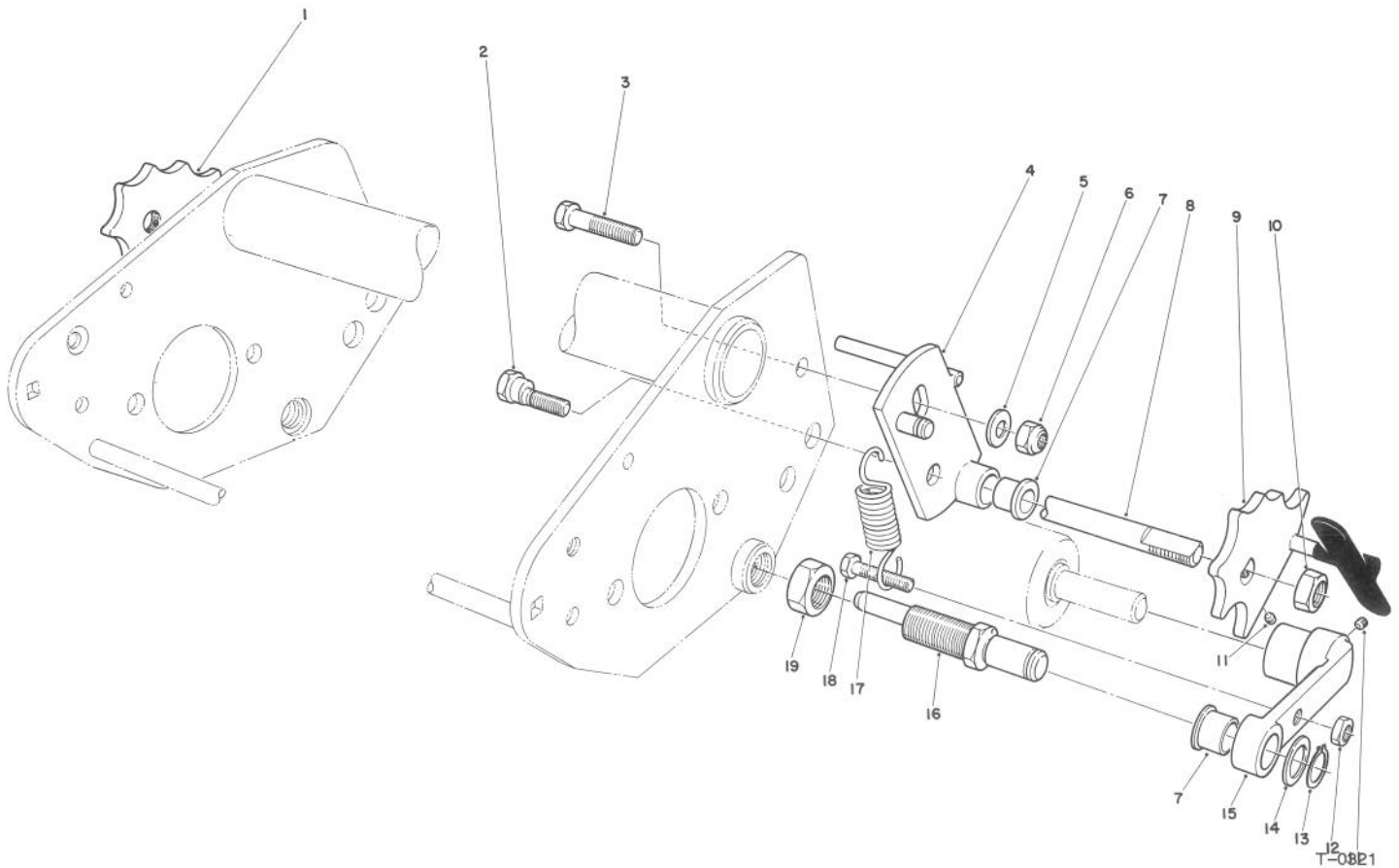


T-0320

QUICK HEIGHT-OF-CUT KIT NO. 29-5910 (CUTTING UNIT MODEL NO. 04405 & 04408)

Ref. No.	Part No.	Description	No. Used	Ref. No.	Part No.	Description	No. Used
1	10-5140	Adj. Plate - Height-of-Cut	6	9	302-18	Fitting - Grease	6
2	3230-23	Bolt - Carriage	6	10	10-4850	Spring - Compression	6
3	10-4870	Bracket Height-of-Cut	6	11	10-4880	Pin - Height-of-Cut	6
4	3245-7	Screw - Set	6	12	20-4700	Pivot Pin	6
5	3256-2	Washer - Flat	6	13	3253-4	Washer - Lock	6
6	3253-3	Washer - Lock	6	14	3217-6	Nut - Hex.	6
7	321-3	Screw - Cap, Hex. Hd.	6				
8	233-28	Knob	6				

Note: Use Rear Roller No. 21-8450 (21-5/8" Lg.) with this Kit.



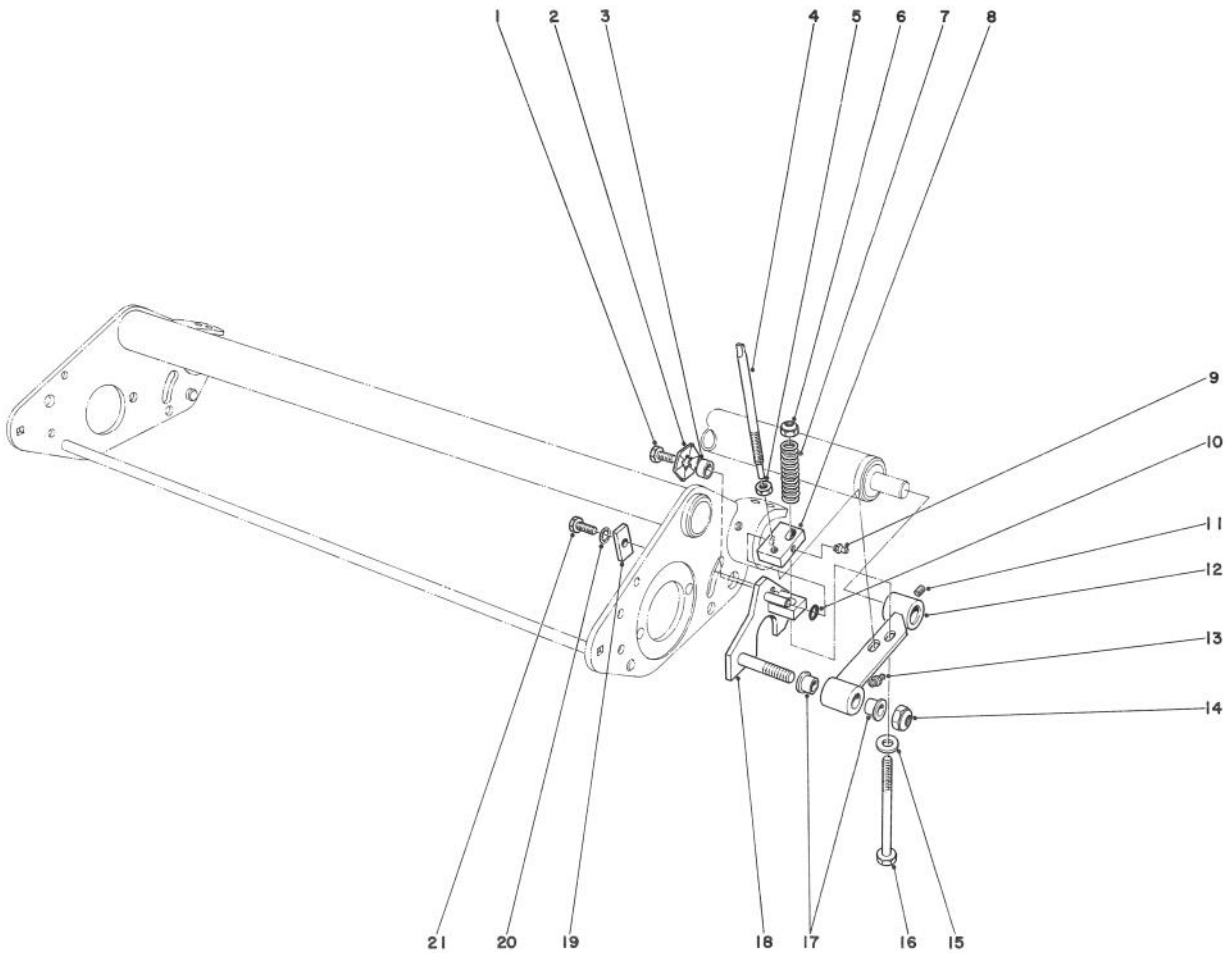
QUICK HEIGHT-OF-CUT SINGLE POINT ADJUST KIT MODEL NO. 04451 (Optional)

Ref. No.	Part No.	Description	No. Used
1	54-7190	Cam - Quick H.O.C.	3
2†	52-3100	Bolt - H.O.C. (L.H. Eccentric)	3
*†	52-3110	Bolt - H.O.C. (R.H. Shoulder)	3
3†	323-7	Screw - Cap, Hex Hd.	6
4	54-7250	Bracket - Quick H.O.C. (L.H.) (Incl. Ref. #7)	3
*	54-7120	Bracket - Quick H.O.C. (R.H.) (Incl. Ref. #7)	3
5†	3256-24	Washer - Flat	12
6†	3296-39	Nut - Lock	12
7	256-155	Bushing - Flange	12
8	54-7180	Shaft-Cam	3
9	54-7240	Cam - Quick H.O.C. (L.H. & Center)	2
*	54-7200	Cam - Quick H.O.C. (R.H.)	1

Ref. No.	Part No.	Description	No. Used
10	32153-7	Nut - Lock	6
11	3290-125	Screw - Set	12
12	3218-2	Nut - Jam	6
13	32120-3	Ring - Snap	6
14	36-4780	Washer	6
15	54-7140	Pull Arm Assembly (Incl. Ref. #7)	6
16	54-7300	Bolt - Bedbar (L.H. Eccentric)	3
*	54-7310	Bolt - Bedbar (R.H. Shoulder)	3
17	54-7170	Spring - Extension	6
18	322-9	Screw - Cap, Hex Hd.	6
19†	3220-6	Nut - Lock	6

*Not Illustrated

†Items NOT included in kit obtain from existing cutting unit.



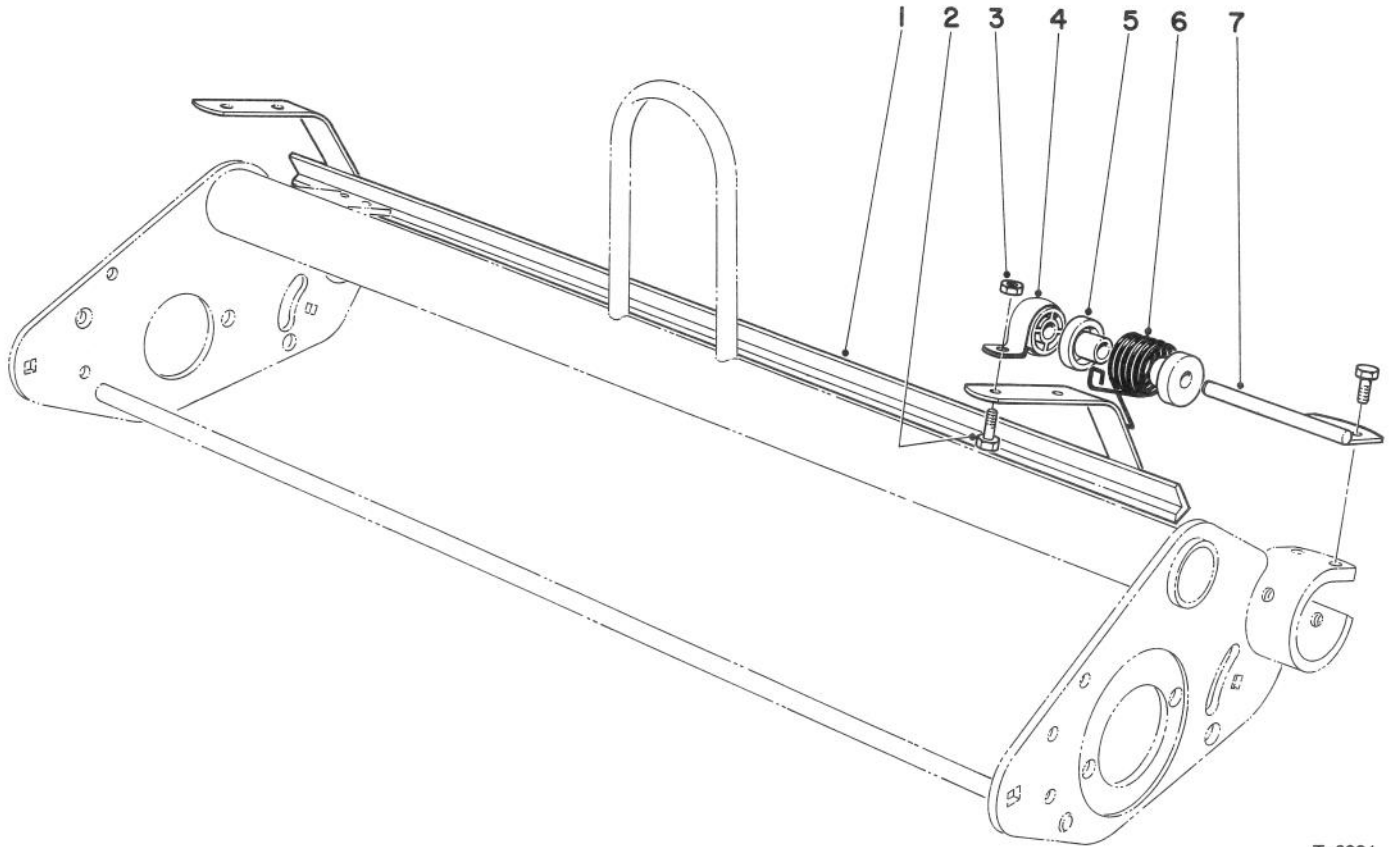
T-0322

VARIABLE QUICK HEIGHT-OF-CUT KIT NO. 24-9400 (Optional)

Ref. No.	Part No.	Description	No. Used	Ref. No.	Part No.	Description	No. Used
1	322-2	Screw - Cap, Hex. Hd.	2	13	302-5	Fitting - Grease	2
2	3290-238	Washer - Lock	2	14	3296-44	Nut - Lock	2
3	24-9200	Spacer - Mounting	2	15	3256-23	Washer - Flat	2
4	24-9260	Rod - Adjustment	2	16	322-23	Screw - Cap, Hex. Hd.	2
5	3218-2	Nut - Jam	2	17	256-116	Bushing	4
6	3296-29	Nut - Lock	2	18	24-9320	Base Plate L.H.	1
7	24-9370	Spring - Compression	2	*	24-9310	Base Plate R.H.	1
8	24-9220	Pivot Plate	2	19	24-9240	Washer	2
9	302-22	Fitting - Grease	2	20	3254-2	Washer - Lock	2
10	237-21	O-Ring	2	21	322-3	Screw - Cap, Hex. Hd.	2
11	3245-1	Screw - Set	2				
12	24-9330	Pivot Arm L.H. (Incl. Ref. #13 & 17)	1				
*	24-9340	Pivot Arm R.H. (Incl. Ref. #13 & 17)	1				

*Not Illustrated

Note: Use Rear Roller No. 21-8450 (21-5/8" Lg.) with this Kit



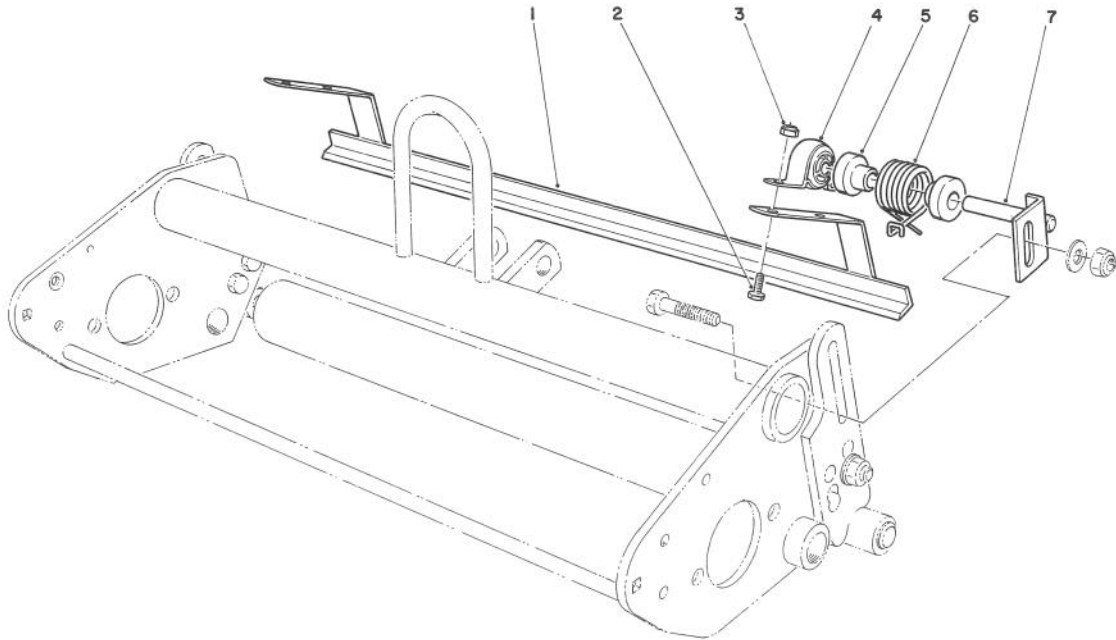
T-0324

ROLLER SCRAPER KIT NO. 42-4820 (Optional)

Ref. No.	Part No.	Description	No. Used
1	42-4800	Scraper Bar	1
2	321-3	Screw - Cap, Hex. Hd.	8
3	32152-4	Nut - Lock	4
4	256-239	Bearing	2
5	19-9560	Spacer - Spring	4

Ref. No.	Part No.	Description	No. Used
6	19-9540	Spring L.H.	1
*	19-9550	Spring R.H.	1
7	42-4780	Scraper Mount L.H.	1
*	42-4790	Scraper Mount R.H.	1

*Not Illustrated



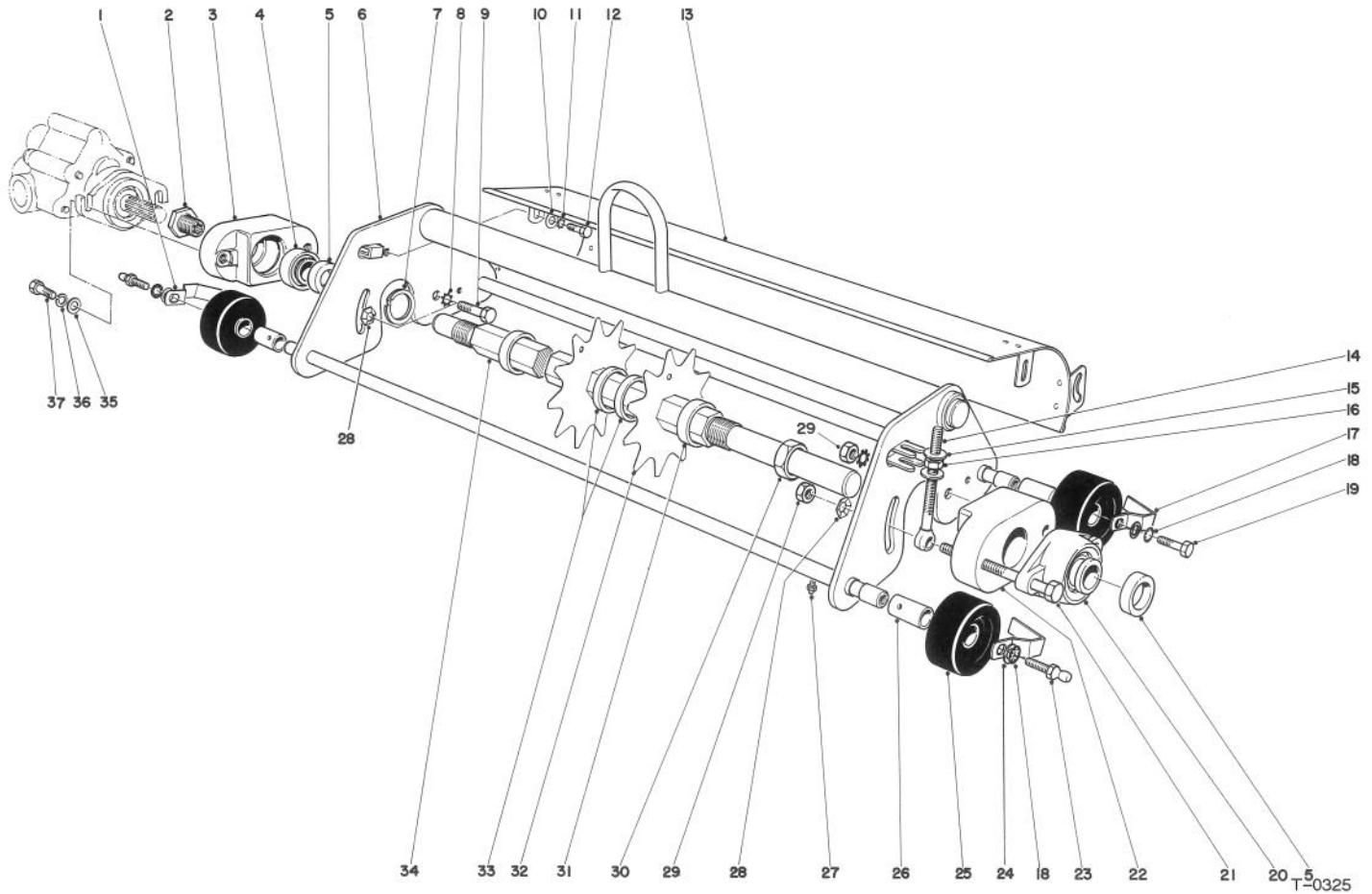
T-0323

ROLLER SCRAPER KIT NO. 53-9240 (FOR MODEL NO. 04450 & 04468 CUTTING UNITS) (OPT.)

Ref. No.	Part No.	Description	No. Used
1	42-4800	Bar - Scraper	1
2	321-3	Screw - Cap, Hex. Hd.	4
3	32152-4	Nut - Lock	4
4	256-239	Bearing	2

Ref. No.	Part No.	Description	No. Used
5	19-9560	Spacer - Spring	4
6	19-9540	Spring - Torsion LH	1
*	19-9550	Spring - Torsion RH	1
7	53-9250	Bracket - Mount., Scraper	2

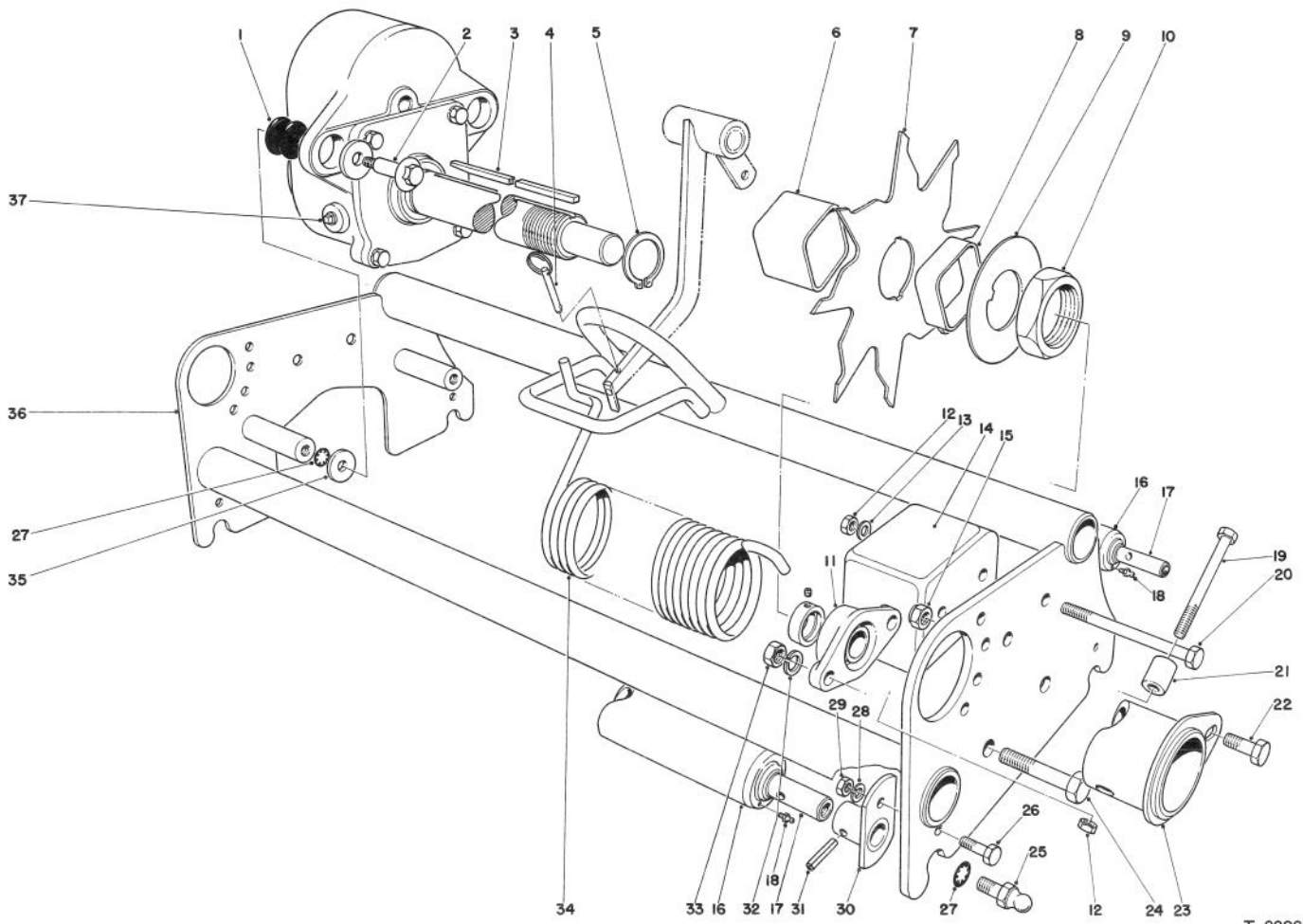
*Not Illustrated



THATCHING REEL ATTACHMENT MODEL NO. 04416 (Optional)

Ref. No.	Part No.	Description	No. Used	Ref. No.	Part No.	Description	No. Used
1	17-1650	Scraper - Wheel R.H.	2	21	324-13	Screw - Cap, Hex. Hd.	2
2	10-5100	Nut - Spline	1	22	17-1520	Counterweight	1
3	17-1610	Housing - Bearing	1	23	2411-7	Ball Stud	2
4	251-206	Bearing	1	24	3256-3	Washer - Flat	4
5	251-77	Lock Collar	2	25	17-1630	Wheel	4
6	17-1450	Frame W.A.	1	26	17-1620	Bushing - Wheel	4
7	32120-77	Ring -Retaining	1	27	302-5	Fitting -Grease	4
8	3255-16	Washer - Lock, Ext. Tooth	2	28	3290-334	Washer - Lock, Pyramidal	2
9	324-6	Screw - Cap, Hex. Hd.	2	29	3217-8	Nut - Hex.	2
10	3256-22	Washer - Flat	4	30	3220-18	Nut - Jam	2
11	3255-7	Washer - Lock, Ext. Tooth	4	31	17-1580	Spacer	2
12	329-1	Screw - Cap, Hex. Hd.	4	32	17-1590	Blade	37
13	17-1530	Grass Shield	1	33	17-1600	Spacer	72
14	17-1510	Eye Bolt	2	34	17-1570	Shaft Hex	1
15	17-1710	Washer	4	35	3256-24	Washer - Flat	2
16	3217-7	Nut - Hex.	2	36	3255-9	Washer - Lock	2
17	17-1640	Scraper-Wheel L.H.	2	37	323-6	Screw - Cap, Hex. Hd.	2
18	3254-6	Washer - Lock, Ext. Tooth	4	*	17-2290	Gauge .060	2
19	3211-3	Screw - Cap, Hex. Hd.	2	*	17-2300	Gauge .120	2
20	251-247	Housing - Bearing	1	*	17-2310	Gauge .250	2

*Not Illustrated

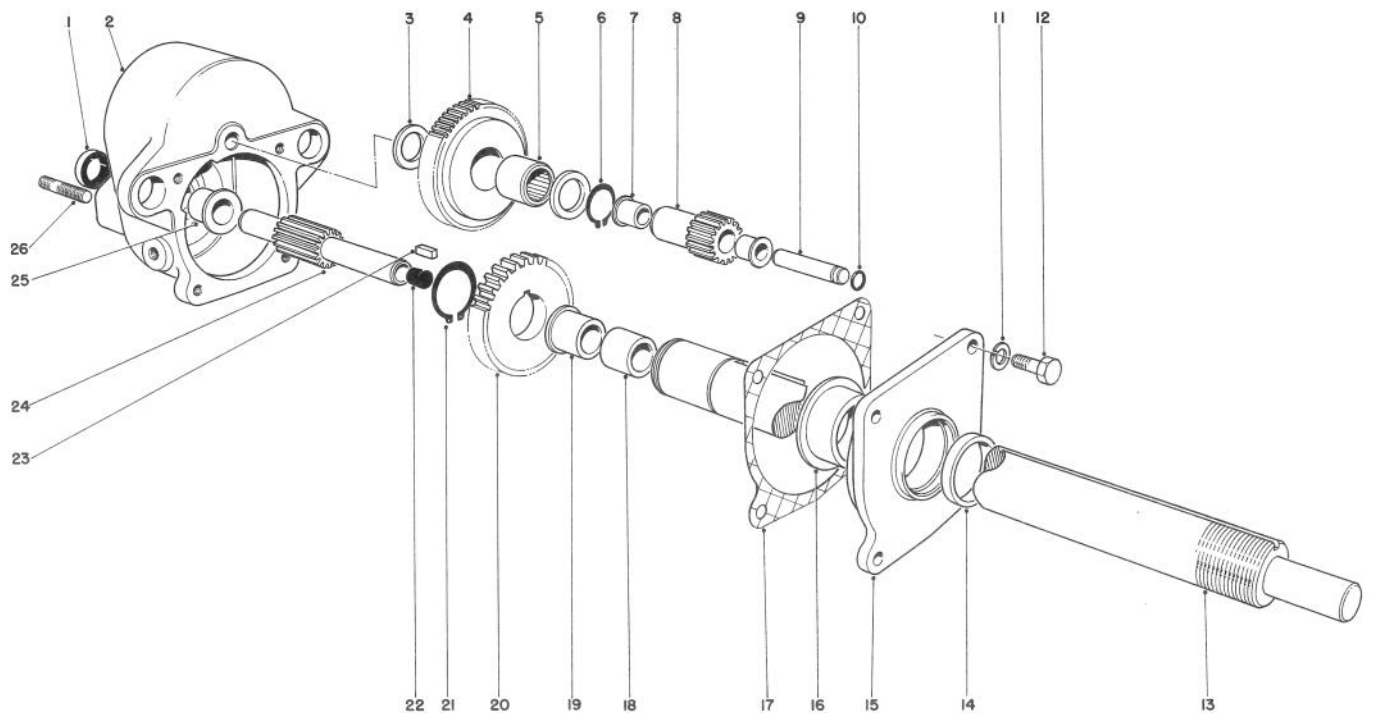


T-0326

SPIKER ATTACHMENT MODEL NO. 04420 (Optional)

Ref. No.	Part No.	Description	No. Used	Ref. No.	Part No.	Description	No. Used
1	237-90	Grommet	2	19	323-15	Screw - Cap, Hex. Hd.	1
2	3-2652	Bolt	2	20	323-11	Screw - Cap, Hex. Hd.	2
3	20-7370	Key - Square	1	21	20-7530	Spacer	1
4	21-9110	Pin - Ball, Lock	1	22	322-3	Screw - Cap, Hex. Hd.	1
5	32151-44	Ring - Retaining	1	23	20-7540	Spring Tube	1
6	20-7390	Spacer	9	24	324-6	Screw - Cap, Hex. Hd.	2
7	20-7380	Blade	10	25	2411-7	Ball Stud	2
8	20-7400	Spacer	1	26	321-4	Screw - Cap, Hex. Hd.	4
9	20-7790	Washer	1	27	3254-6	Washer - Lock, Int. Tooth	4
10	3218-17	Nut - Nut	1	28	3253-3	Washer - Lock	4
11	251-247	Bearing Assembly	1	29	3217-5	Nut - Hex.	4
12	3296-39	Nut - Lock	3	30	20-7570	Roller Mounting Bracket	4
13	3256-4	Washer - Flat	2	31	32121-16	Pin - Roll	4
14	20-7720	Counter - Weight	1	32	3255-16	Washer - Lock	2
15	3296-47	Nut - Lock	1	33	3217-8	Nut - Hex.	2
16	52-3170	Roller Assembly (Complete) (Incl. Ref. #17 & 18)	2	34	20-7520	Spring	1
17	52-3180	Front Roller Bearing	4	35	20-7510	Spacer	4
18	302-5	Fitting - Grease	4	36	20-7420	Frame	1
				37	281-2	Plug - Pipe	1
				*	21-6000	Spiker Depth Gauge	1

*Not Illustrated

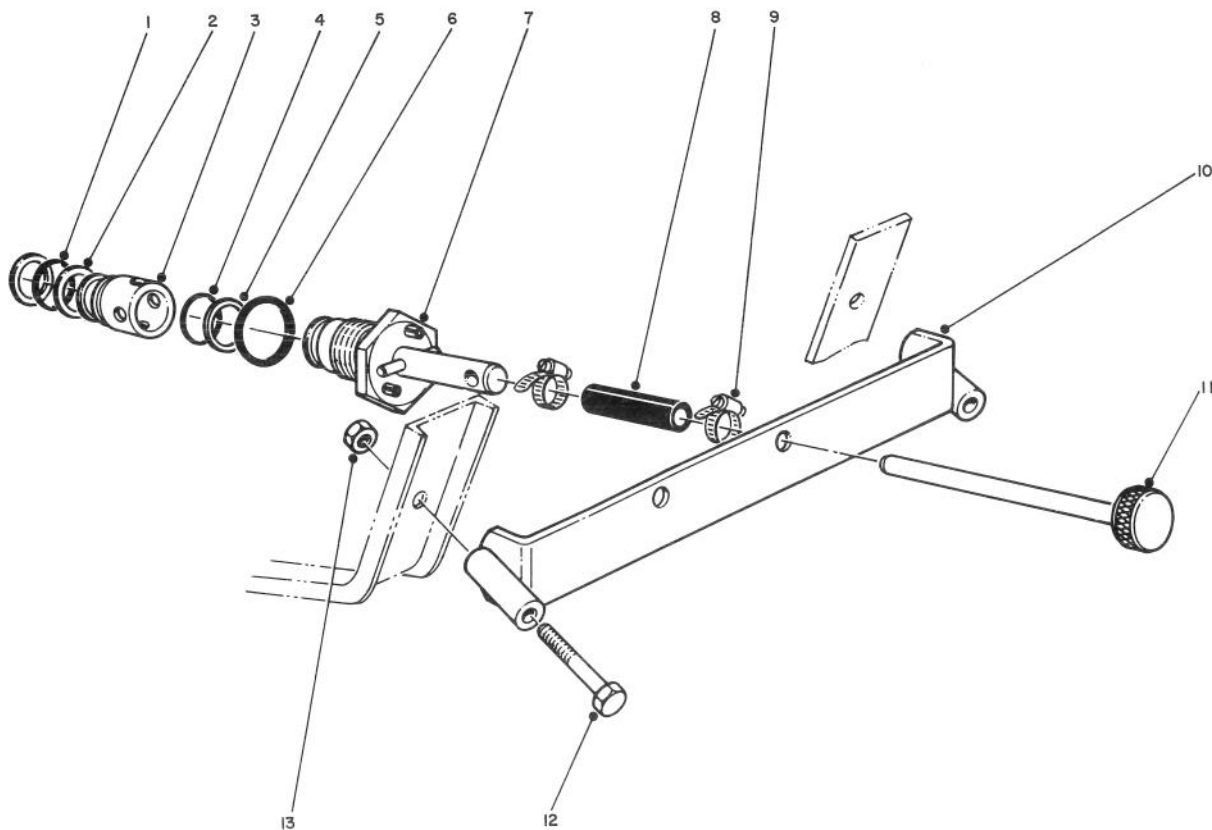


T-0327

SPIKER ATTACHMENT MODEL NO. 04420 (Optional) (Continued)

Ref. No.	Part No.	Description	No. Used
1	253-131	Seal	1
2	53-9960	Housing Assembly (Incl. Ref. #1 & 25-26)	1
3	256-115	Washer - Thrust	2
4	20-7850	Gear 64T	1
5	352-284	Bearing	1
6	32151-29	Ring - Retaining	1
7	256-243	Bushing	2
8	20-7690	Gear 15T (Incl. Ref. #7)	1
9	20-7330	Countershaft	1
10	237-22	O-Ring	1
11	3253-4	Washer - Lock	4
12	322-5	Screw - Cap, Hex. Hd.	4
13	23-5150	Shaft Assembly	1

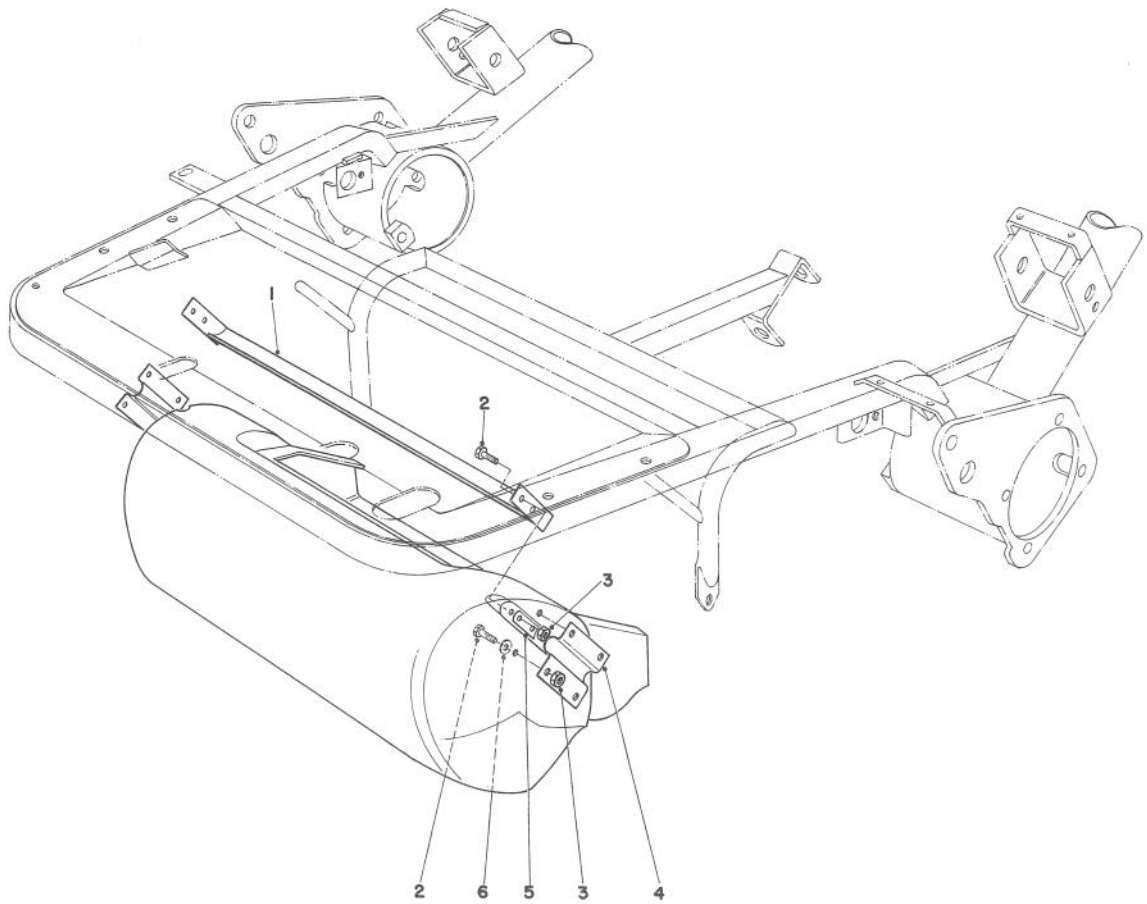
Ref. No.	Part No.	Description	No. Used
14	253-130	Seal	1
15	20-7700	Cover Assembly (Incl. Ref. #14 & 16)	1
16	20-7740	Bushing	1
17	20-7410	Gasket	1
18	256-27	Bushing	1
19	256-117	Bushing	1
20	20-7820	Gear 45T	1
21	32151-35	Ring - Retaining	1
22	2410-34	Plug	1
23	20-7360	Key	1
24	20-7750	Gear 16T	1
25	256-244	Bushing	1
26	20-7350	Stud	2



T-0328

REEL SHUTOFF KIT NO. 28-2150 (Optional)

Ref. No.	Part No.	Description	No. Used	Ref. No.	Part No.	Description	No. Used
1	353-302	O-Ring	2	9	2412-45	Hose Clamp	4
2	353-303	Backup Seal	4	10	28-2070	Front Bracket	1
3	353-484	Check (Incl. Ref. #1 & 2)	2	11	20-2210	Knob Assembly	2
4	353-305	O-Ring	2	12	321-10	Screw - Cap, Hex. Hd.	2
5	353-306	Washer - Backup	2	13	3217-5	Nut - Hex.	2
6	237-54	O-Ring	2				
7	353-503	Shutoff Valve Set (2 Valves Per Set) (Incl. Ref. #1-6)	1				
8	18-2400	Hose - Rubber	2				

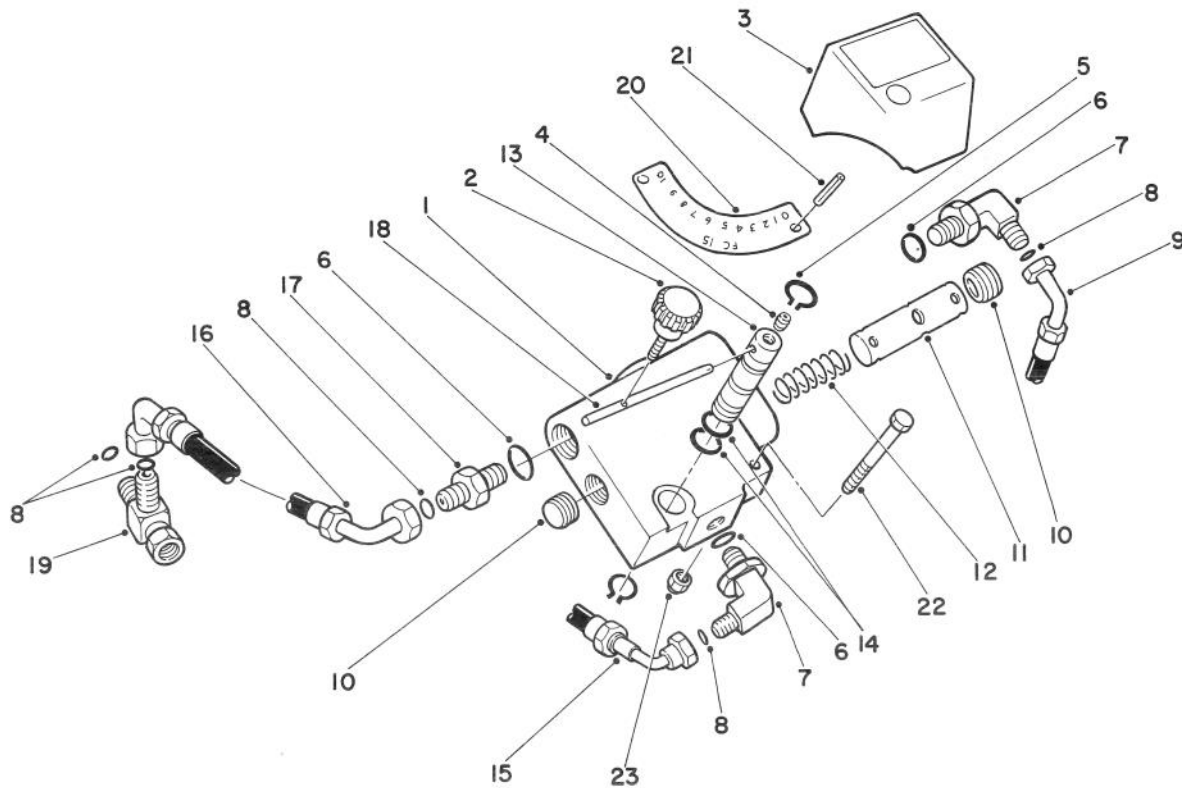


T-0333

BASKET REINFORCEMENT KIT NO. 26-0900 (Optional)

Ref. No.	Part No.	Description	No. Used
1	26-0930	Support - Lift	3
2	321-2	Screw - Cap, Hex. Hd.	36
3	32153-4	Nut - Lock	36

Ref. No.	Part No.	Description	No. Used
4	26-0940	Plate - Wear	6
5	26-0950	Plate Dished	6
6	3256-2	Washer - Flat	24



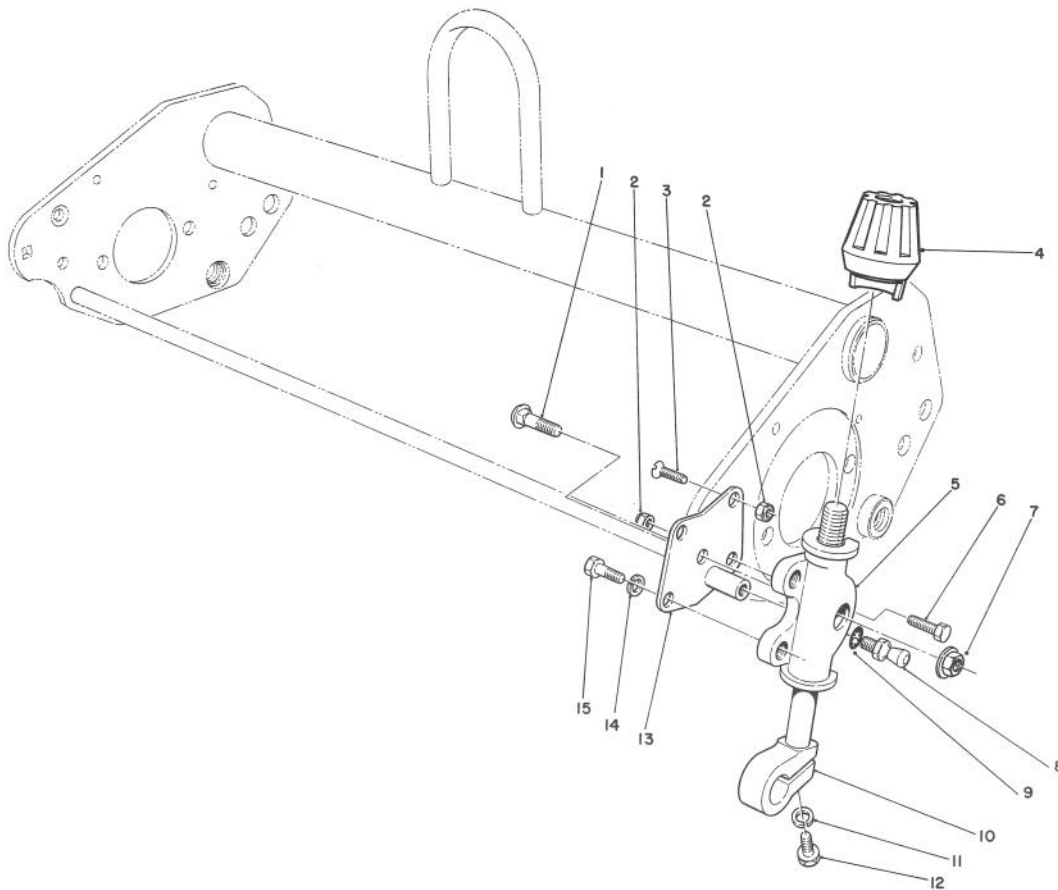
T-1374

VARIABLE TRACTION CONTROL KIT MODEL NO. 04422 (Optional)

Ref. No.	Part No.	Description	No. Used
1		Body-Main	1
2	49-0360	Screw - Thumb	1
3	83-2260	Decal - Traction Control	1
4	3274-42	Screw - Set Hex Socket	1
5	32120-76	Ring - Snap	2
6	237-80	Seal - O-Ring	3
7	340-105	Elbow - 90° Adjustable (Incl. Ref. #6 & 8)	2
8	237-30	Seal - O-Ring	5
9	68-5790	Hose - Hydraulic (Return)	1
10	49-0300	Plug Pipe	2
11	49-0370	Spool - Metering	1
12	49-0340	Spring - Metering	1
13	66-1660	Spool - Lever Side	1
14	237-54	Seal - O-Ring	2

Ref. No.	Part No.	Description	No. Used
15	83-2270	Hose - Hyd. (Pressure)	1
16	68-5820	Hose - Hyd. (Pressure)	1
17	340-6	Fitting - Straight (Incl. Ref. #6 & 8)	1
18	49-0350	Handle	1
19	340-104	Tee - Swivel Run (Incl. Ref. #8)	1
20	49-0320	Plate - Dial	1
21	32121-4	Pin - Roll Slotted	2
22	321-33	Screw- Cap Hex Hd.	2
23	3296-56	Nut - Lock	2
*	3290-378	Tie - Cable	3
*	47-6640	Valve Flow Control (Incl. Ref. #1, 2, 4, 5, 10-14, 18, 20 & 21)	1

*Not Illustrated



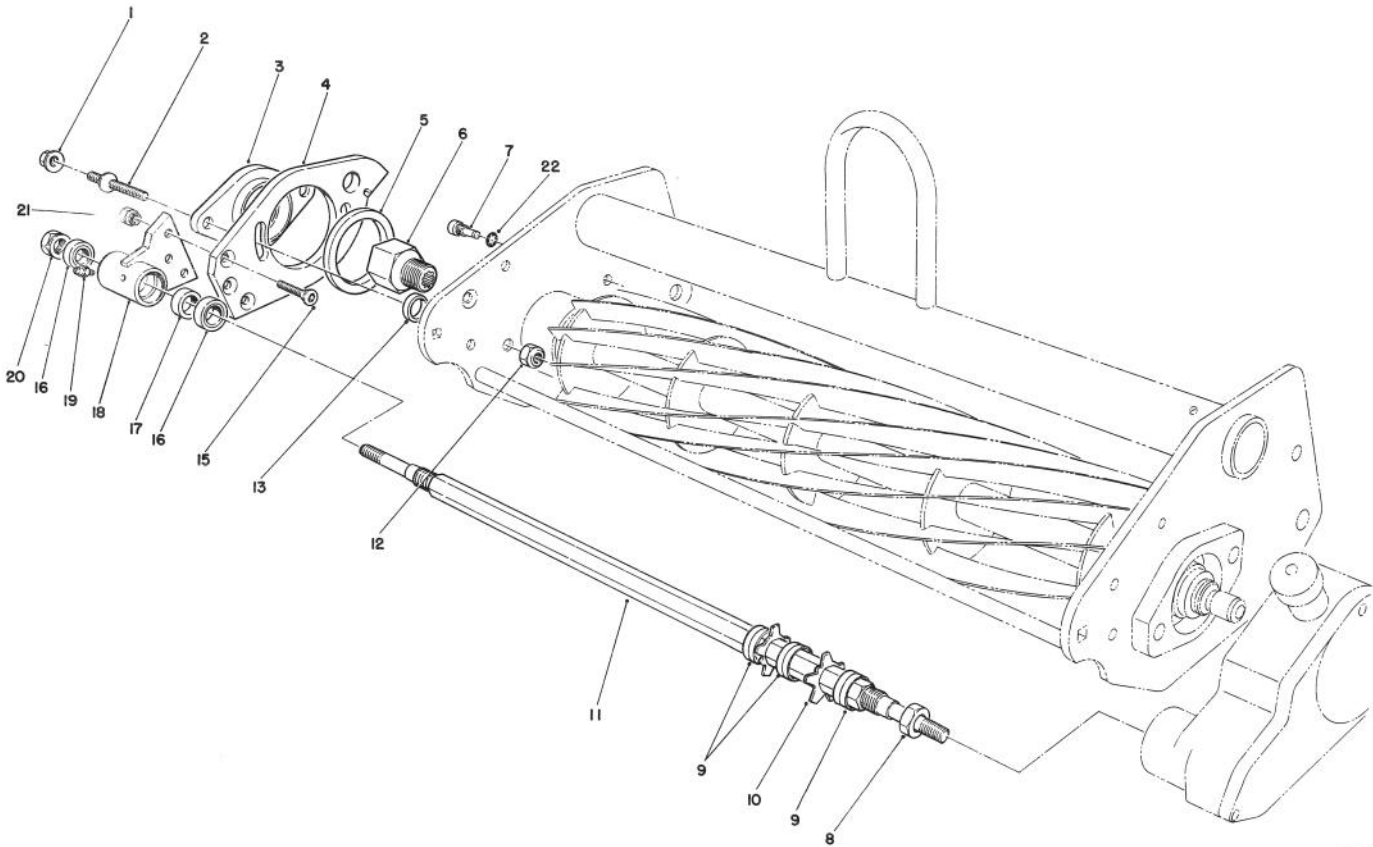
T-0329

8 & 11 BLADE CUTTING UNITS w/GROOMER MODEL NO. 04460 & 04465

Ref. No.	Part No.	Description	No. Used
1	3230-5	Bolt - Carriage	2
2	3296-47	Nut - Lock	4
3	32108-20	Screw - Mach. Flat Hd.	2
4	65-8600	Knob - Height Adjustment	2
5	65-9490	Bracket - HOC	2
6	322-3	Screw - Cap, Hex. Hd.	2
7	32128-25	Nut - Hex. Flange	2
8	2411-7	Stud - Ball	2

Ref. No.	Part No.	Description	No. Used
9	3254-6	Washer - Lock, Int. Tooth	2
10	65-9500	Screw - Roller Adjustment	2
11	3253-3	Washer - Lock	2
12	321-4	Screw - Cap, Hex. Hd.	2
13	65-9530	Roller Extension W.A.- LH	1
	* 65-9460	Roller Extension W.A.- RH	1
14	3253-4	Washer - Lock	4
15	322-2	Screw - Cap, Hex. Hd.	4

*Not Illustrated

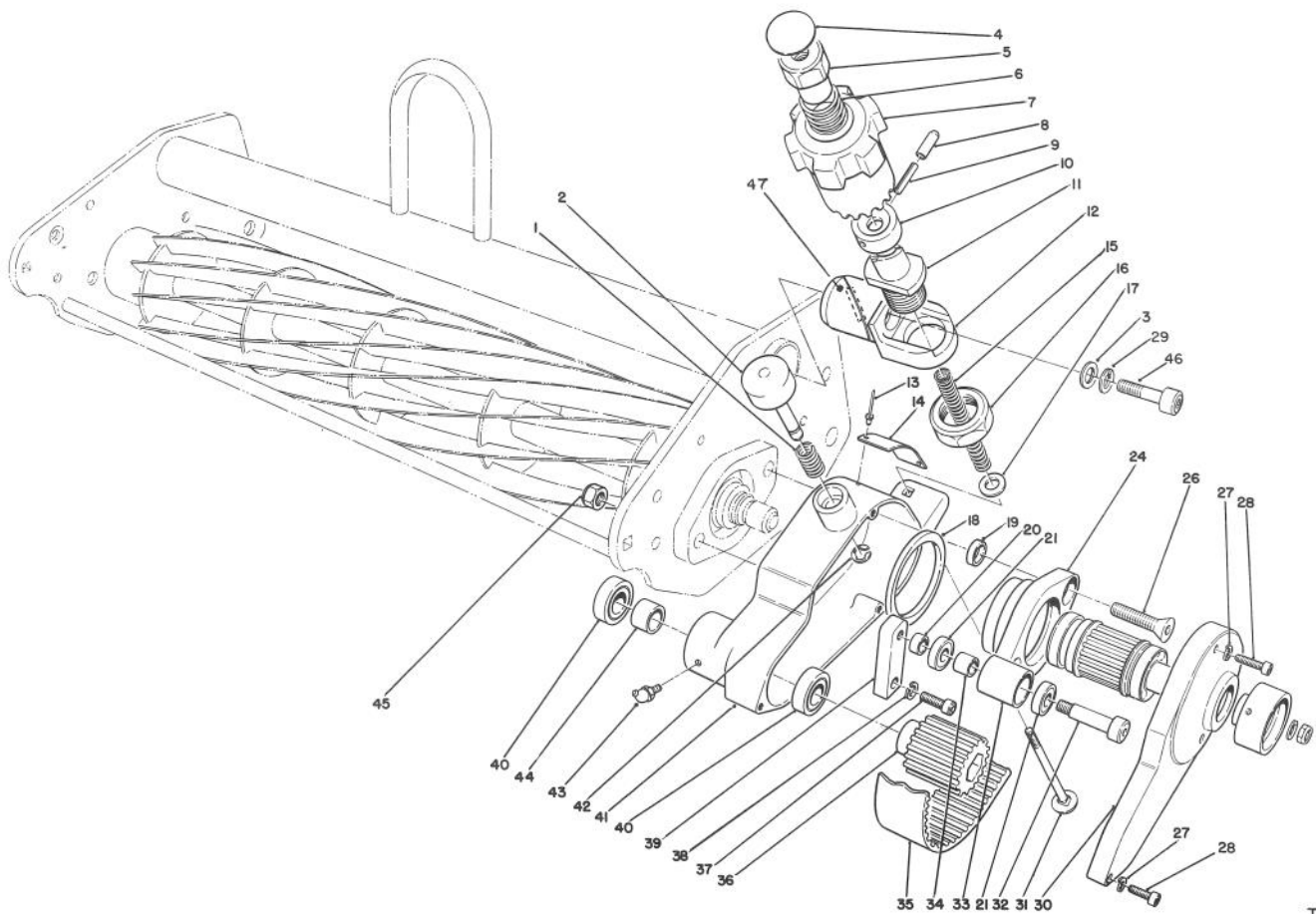


T-0330

8 & 11 BLADE CUTTING UNITS w/GROOMER MODEL NO. 04460 & 04465 (Continued)

Ref. No.	Part No.	Description	No. Used
1	32128-36	Nut - Flange	2
2	65-9970	Stud	2
3	65-9350	Adapter	1
4	65-9230	Plate - Side	1
5	65-9860	Bearing	1
6	77-0560	Nut - Splined	1
7	65-9960	Screw - Pivot	2
8	3296-60	Nut - Lock	2
9	70-1350	Spacer (41 Blade Reel)	84
10	70-1170	Blade (41 Blade Reel)	41

Ref. No.	Part No.	Description	No. Used
11	75-9980	Shaft	1
12	32152-2	Nut - Lock	2
13	65-9820	Spacer	2
15	3289-21	Screw - Hex. Soc. Fl. Hd.	3
16	251-327	Bearing - Ball	2
17	65-9300	Spacer	1
18	65-9220	Housing - Bearing	1
19	302-5	Fitting - Grease	1
20	3296-62	Nut	1
21	3296-4	Nut - Lock	3



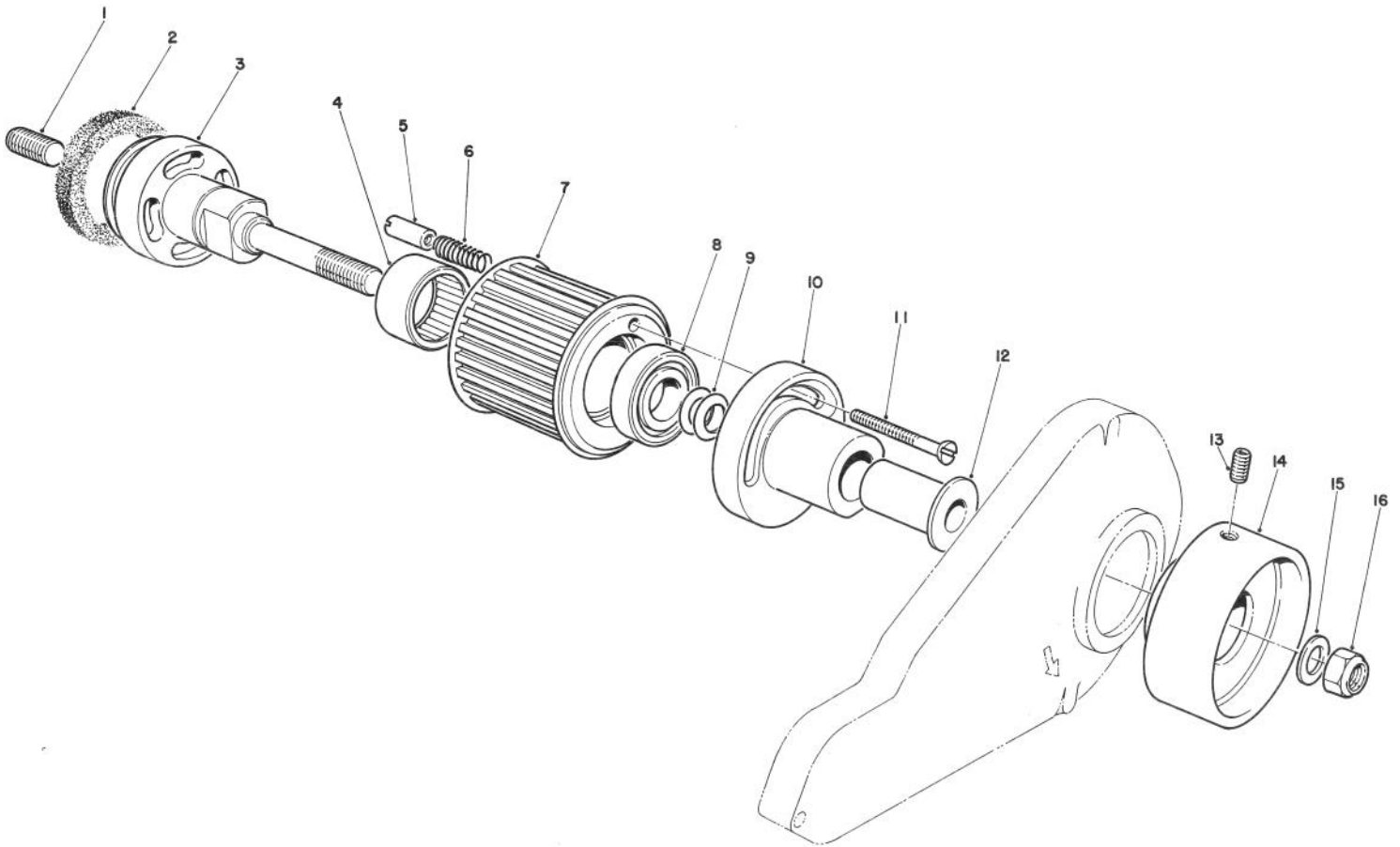
T-0651

8 & 11 BLADE CUTTING UNITS w/GROOMER MODEL NO. 04460 & 04465 (Continued.)

Ref. No.	Part No.	Description	No. Used
1	65-9940	Spring	1
2	65-9930	Cap	1
3	3256-74	Washer - Flat	1
4	284-3	Plug - Expansion	2
5	65-9670	Driver	2
6	65-9580	Spring	2
7	65-9560	Adj. Knob Assembly (Incl. Ref. #4-6)	2
8	2410-68	Cover - Pin	2
9	32121-15	Pin - Roll	2
10	65-9550	Cap	2
11	65-9830	Ramp	2
12	70-7470	Block - Mounting (Modified)	2
13	3290-271	Rivet - Pop	2
14	65-9950	Plate - Caution	1
15	65-9810	Spring	2
16	3296-49	Nut - Lock	2
17	3256-24	Washer - Flat (LH Side)	1
*	65-9850	Washer (RH Side)	1
18	65-9860	Bearing	1
19	65-9820	Spacer	2
20	65-9330	Spacer	1
21	251-328	Bearing	2

Ref. No.	Part No.	Description	No. Used
24	65-9350	Adapter	1
26	3289-19	Screw - Flat Hd. Socket	2
27	3253-12	Washer - Lock	3
28	3274-13	Screw - Cap, Soc. Head	3
29	3253-4	Washer - Lock	2
30	65-9710	Cover - Belt	1
31	65-9890	Bolt - Carriage	1
32	65-9340	Screw - Shoulder	1
33	65-9320	Idler - Pulley	1
34	65-9980	Spacer - Pulley, Idler	1
35	65-9700	Belt	1
36	65-9290	Pulley - Driven	1
37	3274-22	Screw - Cap, Hex. Soc.	1
38	3253-4	Washer - Lock	1
39	65-9310	Block - Idler	1
40	251-327	Bearing	2
41	65-9270	Housing - Drive, Belt	1
42	32120-18	Ring - Retaining	1
43	302-11	Fitting - Grease	1
44	65-9300	Spacer - Pulley, Driven	1
45	32152-2	Nut - Lock	2
46	3274-86	Screw - Cap, Soc. Hd.	2
47	257-10	Washer	2

*Not Illustrated

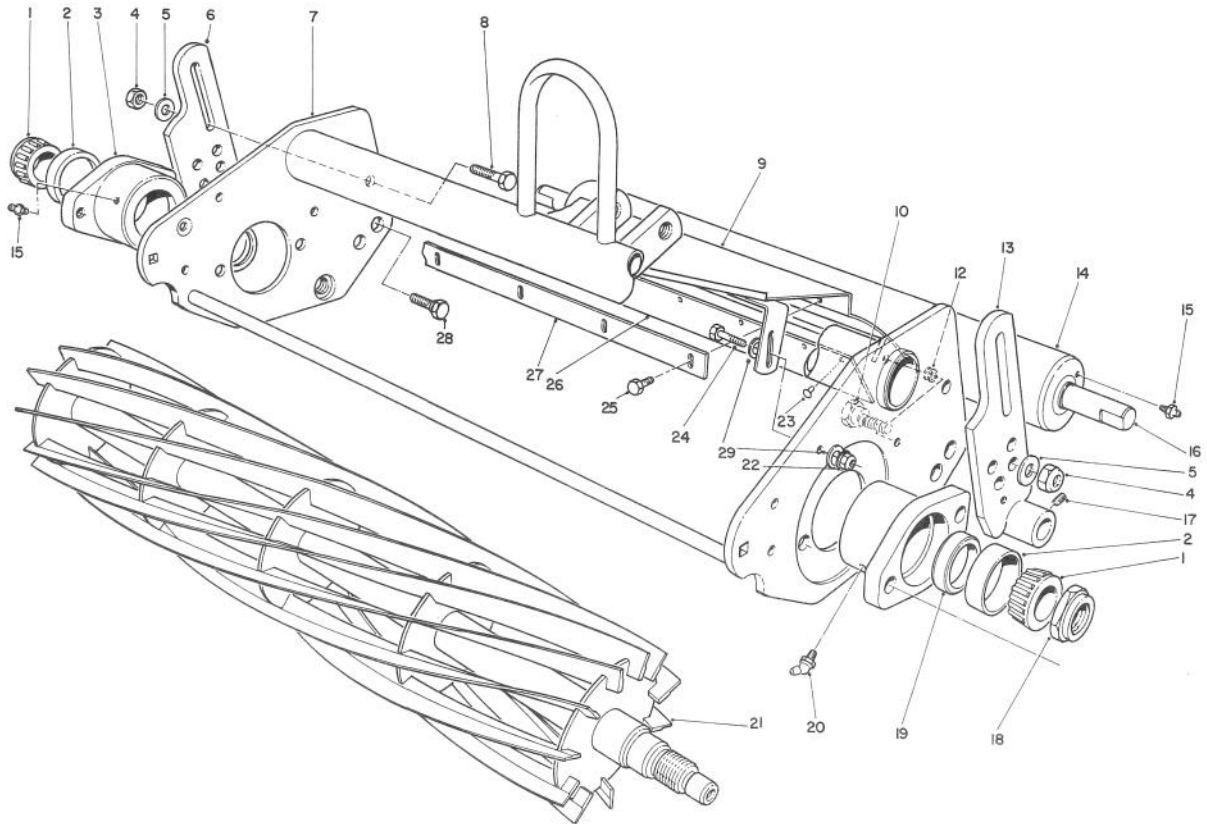


T-0332

8 & 11 BLADE CUTTING UNITS w/GROOMER MODEL NO. 04460 & 04465 (Continued)

Ref. No.	Part No.	Description	No. Used
1	75-9540	Screw - Set, Soc. Hd.	1
2	65-9900	Seal - Felt	1
3	65-9610	Adapter	1
4	252-110	Bearing - Needle	1
5	65-9660	Pin - Clutch	1
6	65-9670	Spring - Compression	1
7	65-9630	Pulley - Driver	1
8	251-327	Bearing - Roller	1

Ref. No.	Part No.	Description	No. Used
9	3290-480	Washer - Belleville	2
10	65-9640	Disc - Release, Clutch	1
11	65-9650	Screw - Special	1
12	256-300	Bushing - Flange	1
13	32110-13	Screw - Set	2
14	65-9680	Knob - Clutch	1
15	3256-24	Washer - Flat	1
16	3296-39	Nut - Lock	1



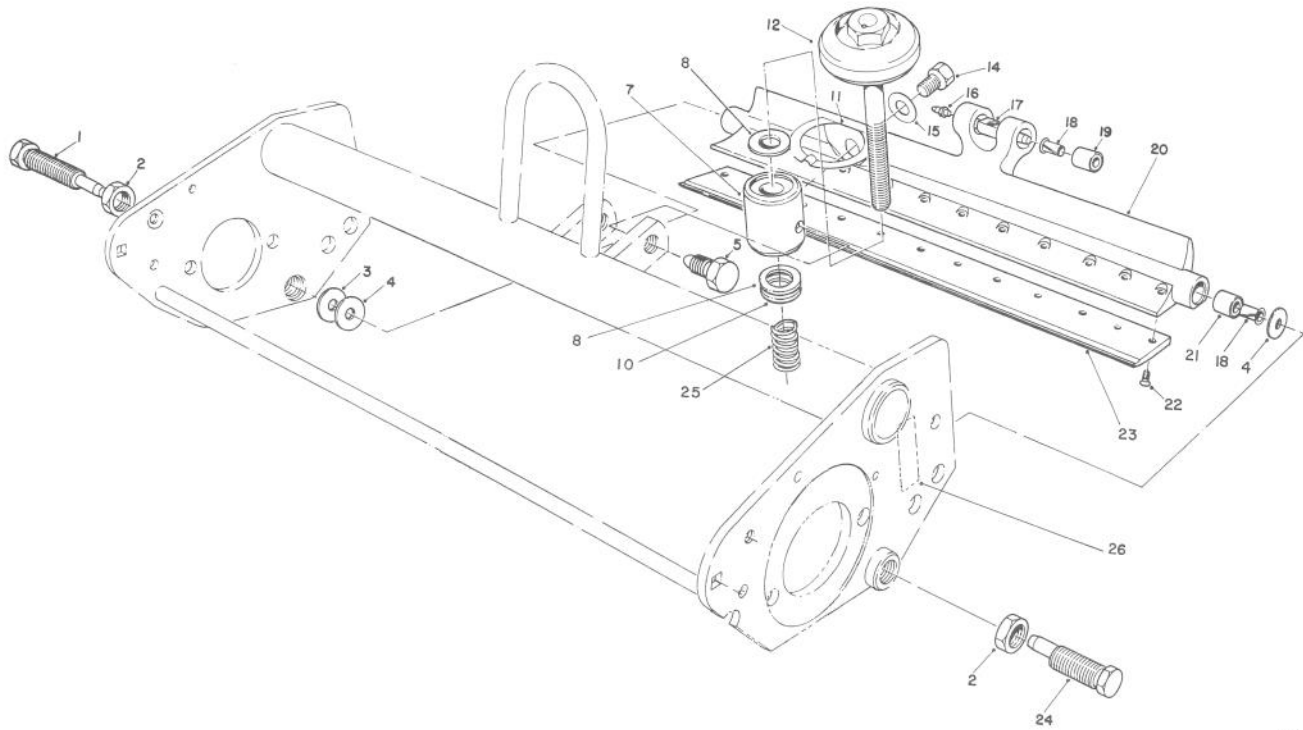
T-1124

8 & 11 BLADE CUTTING UNITS w/GROOMER MODEL NO. 04460 & 04465 (Continued)

Ref. No.	Part No.	Description	No. Used	Ref. No.	Part No.	Description	No. Used
1	254-94	Cone - Bearing	2	20	302-11	Fitting - Grease	1
2	254-72	Cup - Bearing	2	21	12-2789	Reel - 11 Blade (Model No. 04450)	1
3	10-5120	Housing - Bearing	2	*	12-3599	Reel 8 Blade (Model No. 04465)	1
4	3296-39	Nut - Lock	4	22	3296-42	Nut - Lock	2
5	3256-24	Washer - Flat	4	23	3295-46	Rivet	13
6	77-1060	HOC Adjustment - RH	1	24	321-5	Screw - Cap, Hex. Hd.	2
7	70-1200	Frame - Reel	1	25	32144-73	Screw - Self Tapping	5
8	323-7	Screw - Cap, Hex. Hd.	2	26	57-5210	Flap - Shield	1
9	57-5200	Grass Shield Assembly (Incl. Ref. #26 & 27)	1	27	36-7260	Cut-Off Bar	1
10	52-3100	Bolt - Eccentric, HOC - LH	1	28	52-3110	Bolt - Shoulder, HOC - RH	1
12	237-84	Grommet	2	29	3256-22	Washer - Flat	4
13	77-1080	HOC Adjustment - LH	1	*	13-8199	Bar Adj. Gauge (Includes †)	1
14	52-3120	Rear Roller Adjustment (Incl. Ref. #15 & 16)	1	†	32122-2	Screw - Truss Head	1
15	302-5	Fitting - Grease	2	†	3219-4	Nut	1
16	21-8430	Bearing - Roller, Rear	2	*†		Brush - Backlapping	1
17	3246-2	Screw - Set	2	*†		Bearing Replacement Tool Kit	1
18	3296-60	Nut - Lock	1				
19	253-96	Seal	2				

*Not Illustrated

†Special Tool for installation



T-1125

8 & 11 BLADE CUTTING UNITS w/GROOMER MODEL NO. 04460 & 04465 (Continued)

Ref. No.	Part No.	Description	No. Used
1	52-2930	Bolt - Shoulder, RH	1
2	3220-6	Nut - Hex. Jam	2
3	52-2860	Washer	1
4	52-2900	Washer - Poly	2
5	66-7240	Screw - Pivot, SPA	2
7	77-0330	Pivot - Single Point Adj.	1
8	77-0350	Washer - Thrust, Nylon	2
10	257-5	Washer - Steel	1
11	66-7220	Arm - Spring	1
12	77-0300	Handle Assembly	1
14	324-25	Screw - Cap, Hex. Hd.	1
15	3256-25	Washer - Flat	1
16	302-18	Fitting - Grease	1
17	57-5260	Pivot - Bedbar	1

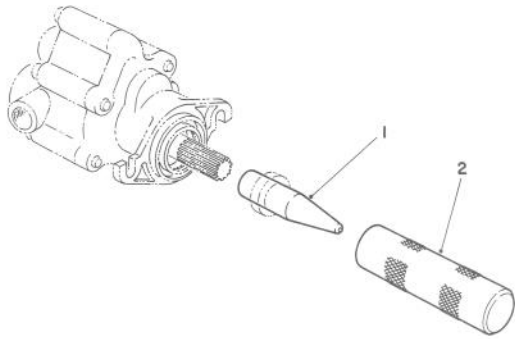
Ref. No.	Part No.	Description	No. Used
18	52-2890	Bushing - Flanged	4
19	62-5510	Bushing Assy. - Rubber	2
20	57-4940	Bedbar	1
21	63-9510	Bushing Assy. - Rubber	1
22	57-4910	Screw - Special	13
23	63-8560	Bed Knife - Tournament	1
*	62-2500	Bed Knife - 3/16"	1
*	63-8470	Bed Knife - 1/8"	1
*	63-8600	Bed Knife - Fairway	1
24	52-2910	Bolt - Eccentric, LH	1
25	66-7230	Spring - Compression	1
26	77-0490	Decal - Bolt, Eccentric	1
*	13-3659	Overhaul Kit	1
*†		Tool - Bed Knife Screw	1

*Not Illustrated

*†Special Tool for installation

SPECIAL TOOLS

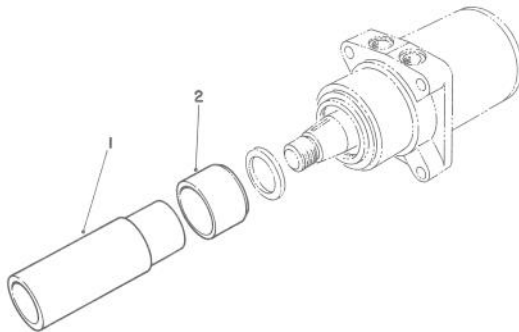
REEL MOTOR SEAL INSTALLATION TOOLS



T-0727

Ref. No.	Part No.	Description	No. Used
1	49-1430	Protector - Seal	1
2	49-1450	Installer - Seal	1

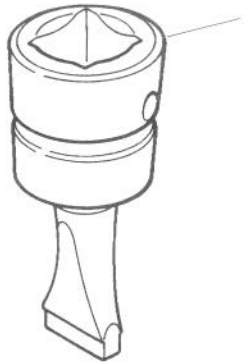
DRIVE MOTOR SEAL INSTALLATION TOOL NO. 19-2660



T-0728

Ref. No.	Part No.	Description	No. Used
1		Driver- Seal	1
2		Holder - Seal	1

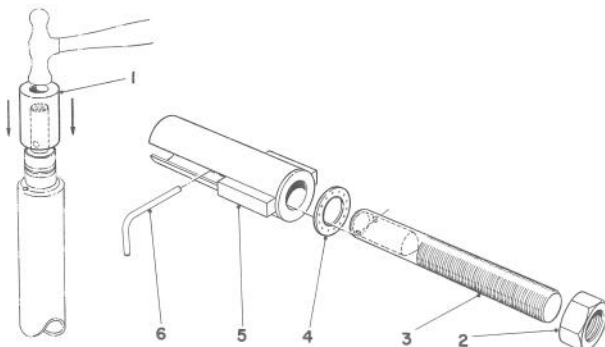
BED KNIFE SCREW TOOL NO. 51-0880



T-0729

Ref. No.	Part No.	Description	No. Used
1		Tool - Bed Knife Screw	1

BEARING REPLACEMENT TOOL KIT NO. 23-8900



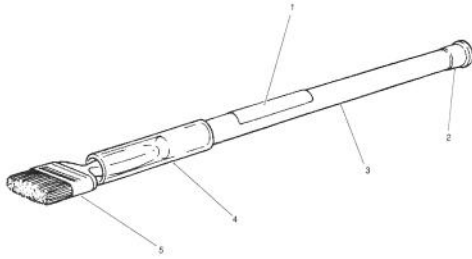
T-0730

Ref. No.	Part No.	Description	No. Used
1	23-8880	Driver - Bearing	2
2	3219-18	Nut - Hex.	1
3	23-8840	Puller - Bolt	1
4	22-6090	Washer - Thrust	1
5	23-8850	Tube - Support	1
6	23-8860	Pin - Bearing Rplcmnt.	1

Note: Special tools may be ordered from: Owatonna Tool Co. 2013 4th St. NW Owatonna, Mn 55060

SPECIAL TOOLS (Continued)

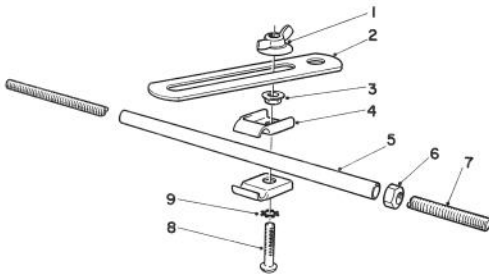
BACKLAPPING BRUSH ASSEMBLY NO. 29-9100



T-0731

Ref. No.	Part No.	Description	No. Used
1	12-9140	Decal	1
2	2410-18	Plug	1
3	29-9080	Handle	1
4	29-9090	Hose - Handle	1
5	36-4310	Brush	1

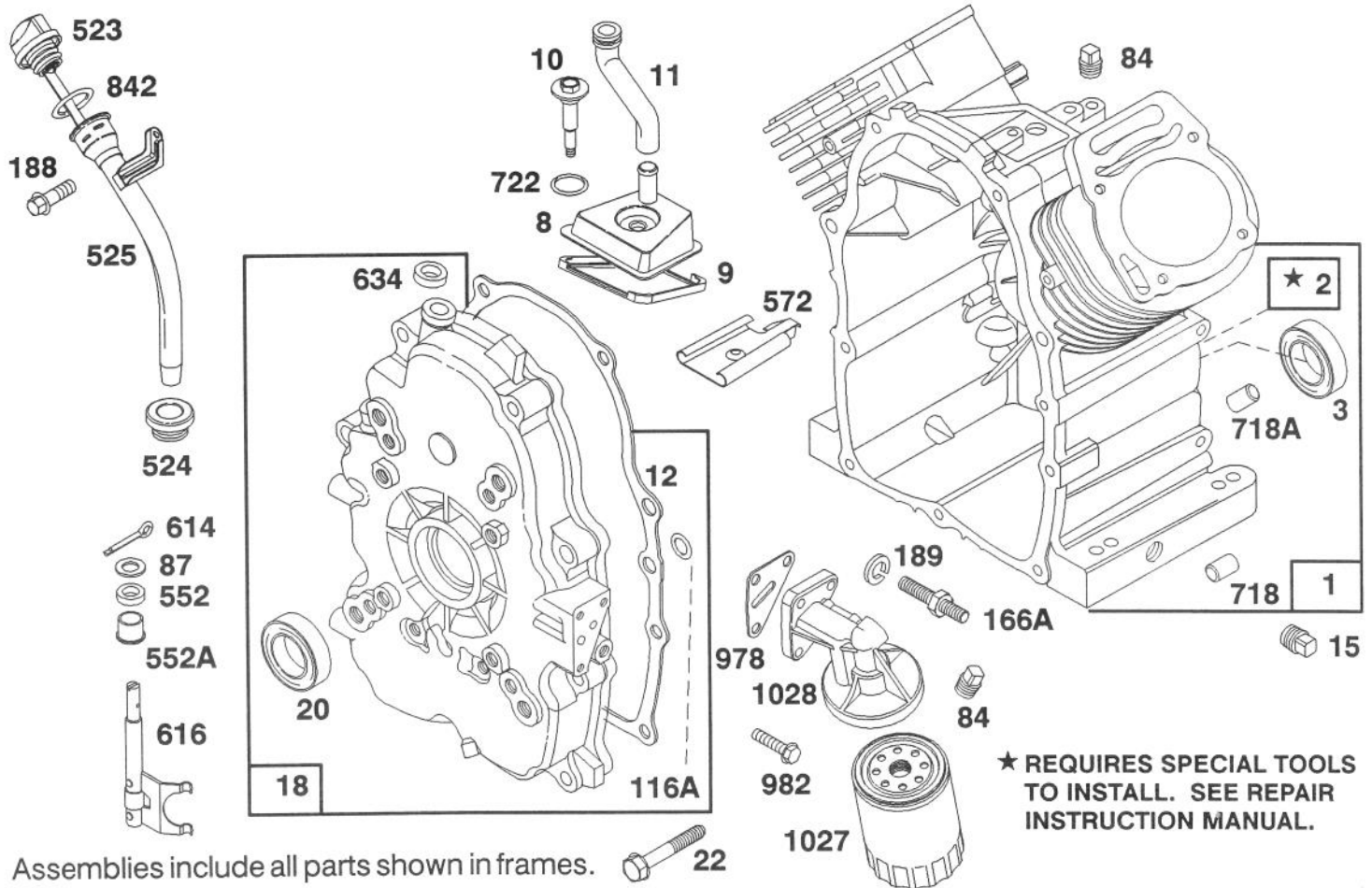
ALIGNMENT TOOL NO. 20-0120



T-0732

Ref. No.	Part No.	Description	No. Used
1	3-4808	Nut - Wing	1
2	20-0110	Bracket - Alignment	1
3	32128-20	Nut - Lock, Flange	1
4	3-6657	Clip - Skid	2
5	20-0070	Tube	1
6	3219-2	Nut - Hex.	1
7	20-0080	Rod	1
8	32122-35	Screw - Truss Hd.	1
9	3255-8	Washer - Lock. Int. Tooth	1

**Note: Special tools may be ordered from: Owatonna Tool Company
2013 4th St. NW
Owatonna, Mn 55060**

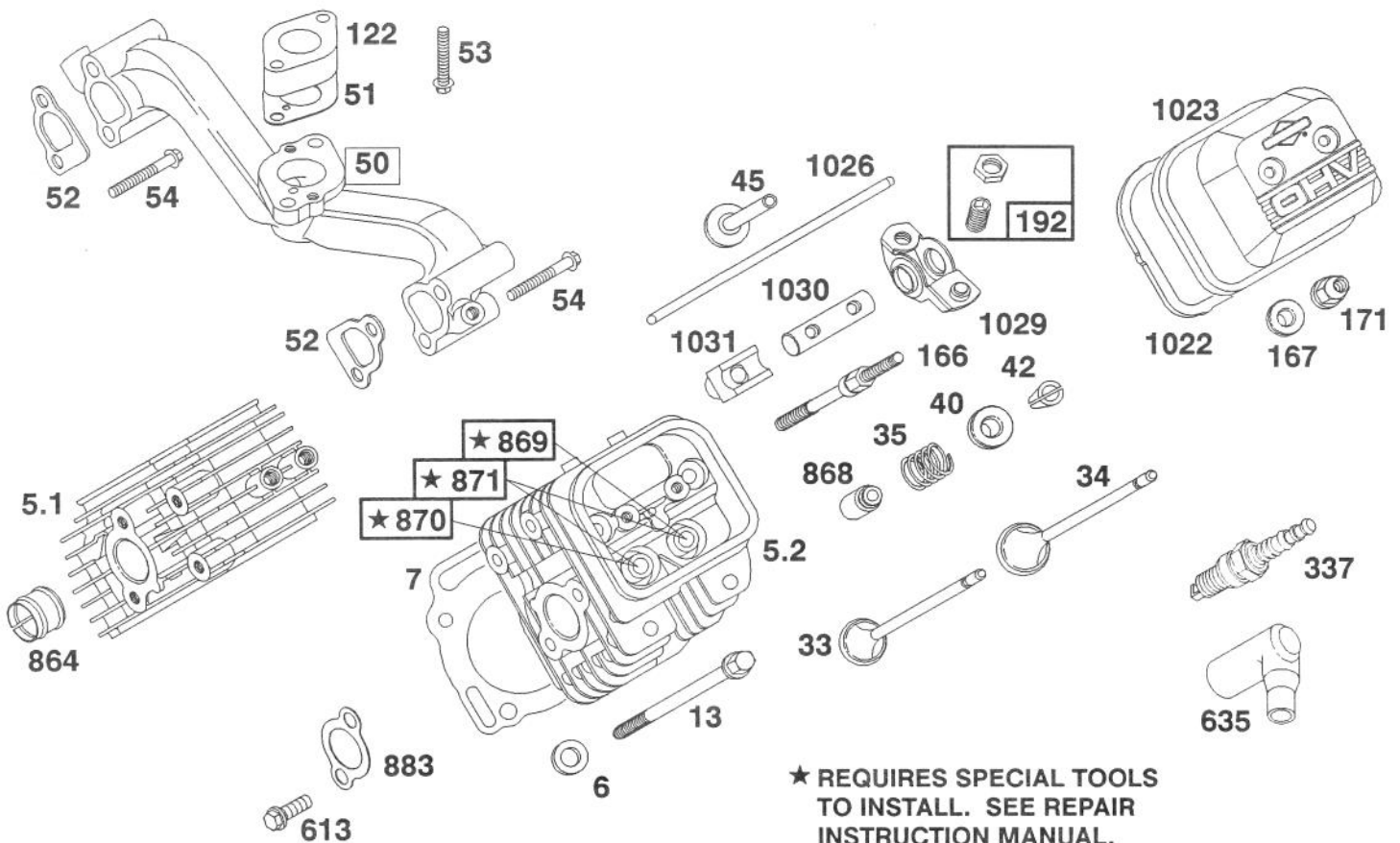


ENGINE BRIGGS & STRATTON MODEL 303447-0411-01

Ref. No.	Part No.	Description	No. Used
1	807521	Cylinder Assembly	
2	805107	Bearing - Cylinder	
3	805101	Seal - Oil	
8	807795	Breather Assembly	
*9	805379	Gasket - Breather	
10	805751	Screw - Hex. Washer Head	
11	805362	Tube - Breather	
*12	805112	Gasket - Crankcase Cover	
15	805048	Plug - Oil Drain	
18	807628	Cover Assembly - Crankcase	
20	805049	Seal - Oil	
22	805017	Screw - Crankcase Cover	
84	805059	Plug - Pipe	
87	805054	Seal - Governor Shaft	
*116A	805198	O-Ring (Crankcase Cover)	
166A	805073	Stud - Oil Filter Adapter	
188	805247	Screw - Hex. Head	
189	805449	Lockwasher	

Ref. No.	Part No.	Description	No. Used
523	807585	Dipstick	
524	805259	Seal - Filler Tube	
525	807584	Tube - Oil Filler	
552	805412	Bushing - Governor Shaft	
552A	805413	Bushing - Governor Shaft	
572	805197	Baffle - Breather	
614	805417	Pin - Cotter	
616	807596	Fork - Governor	
634	805416	Washer - Governor Shaft	
718	805103	Dowel - Crankcase	
718A	805102	Dowel - Cylinder Head	
*722	805483	Seal - Breather Screw	
842	805386	O-Ring	
*978	805250	Gasket - Oil Filter Adapter	
982	805030	Screw	
1027	491056	Filter - Oil	
1028	805292	Adapter - Oil Filter	
1029	807557	Arm - Rocker	

*Included in Gasket Set - Part No. 807640.



★ REQUIRES SPECIAL TOOLS
TO INSTALL. SEE REPAIR
INSTRUCTION MANUAL.

Assemblies include all parts shown in frames.

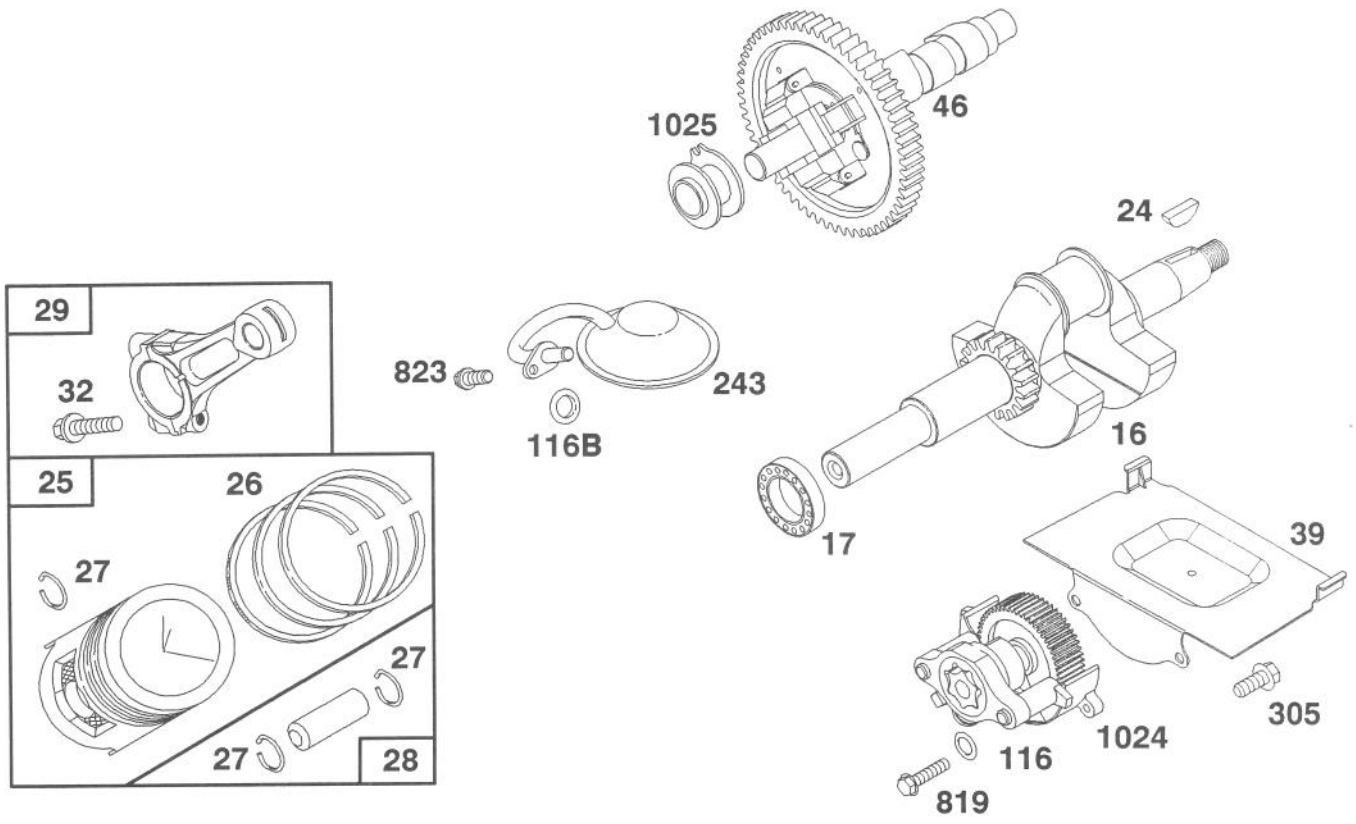
ENGINE BRIGGS & STRATTON MODEL 303447-0411-01

Ref. No.	Part No.	Description	No. Used
5.1	807508	Head - Cylinder (Cyl. #1)	
5.2	807510	Head - Cylinder (Cyl. #2)	
*6	805193	Washer - Cylinder Head	
†7	805111	Gasket - Cylinder Head	
13	805097	Screw - Cylinder Head	
33	805089	Valve - Exhaust	
34	805090	Valve - Intake	
35	805078	Spring - Valve	
40	805092	Retainer - Valve Spring	
42	805161	Retainer - Valve	
45	805354	Tappet - Valve	
50	805409	Manifold - Intake	
*51	805264	Gasket - Carburetor Mtg.	
*52	805023	Gasket - Intake Manifold	
53	805466	Screw	
54	805006	Screw	
122	805328	Spacer - Carburetor	
166	805343	Stud - Rocker Arm	
†167	805420	Washer - Valve Cover	
*171	805019	Nut - Nylock	

Ref. No.	Part No.	Description	No. Used
192	807623	Screw - Valve Adjustment (Incl. Jam Nut)	
337	491055	Plug - Spark	
613	805158	Screw	
635	805529	Elbow - Spark Plug	
864	805083	Liner - Exhaust Port	
868	805094	Seal - Valve Guide	
869	805085	Seat - Intake Valve	
870	805086	Seat - Exhaust Valve	
871	805084	Guide - Valve	
*883	805024	Gasket - Exhaust Manifold	
†1022	805028	Gasket - Valve Cover	
1023	805100	Cover - Valve Note: 807665 Cover - Valve Used on Cylinder #1.	
1026	805352	Rod - Push Note: 805617 Rod - Push Used on Exhaust Side Only.	
1029	807557	Arm - Rocker	
1030	805342	Shaft - Rocker Arm	
1031	805341	Support - Rocker Arm	

*Included in Gasket Set - Part No. 807640.

†Included in Valve Overhaul Kit - Part No. 807668.



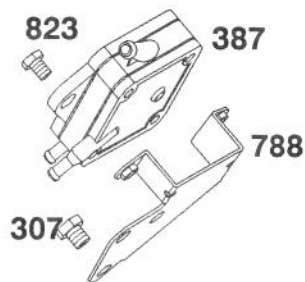
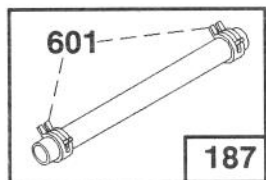
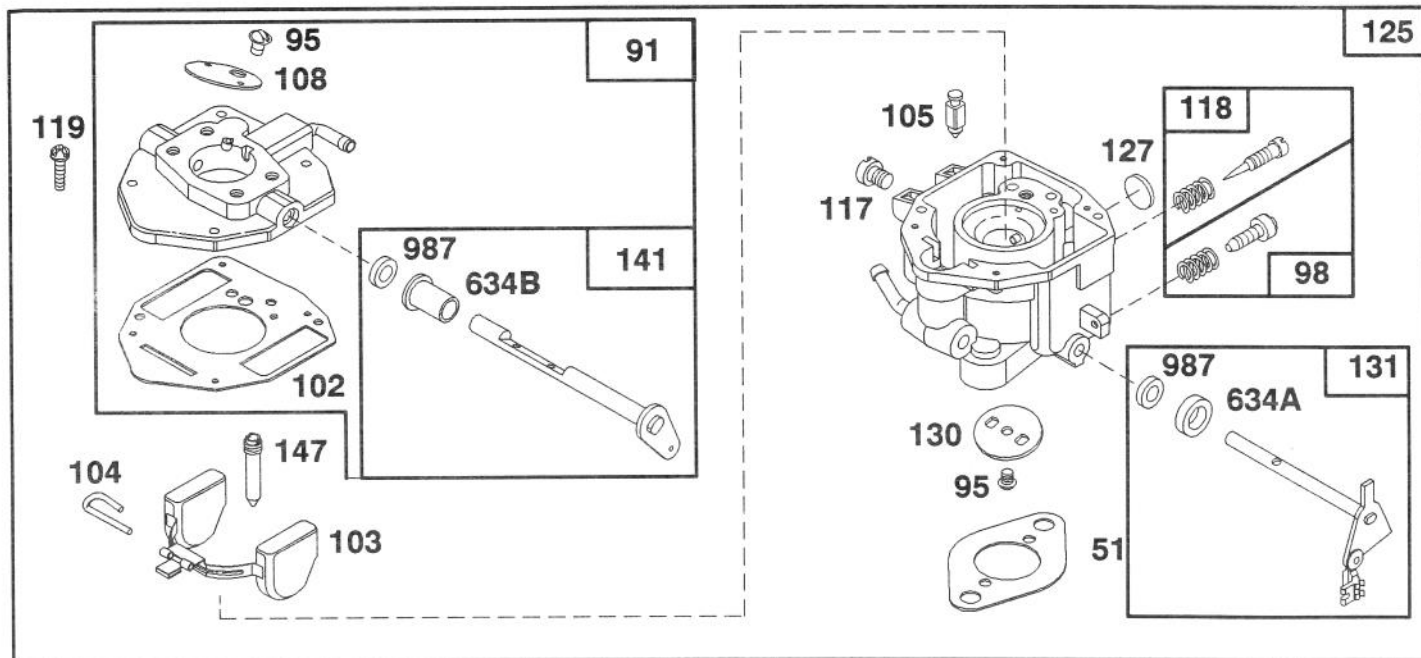
Assemblies include all parts shown in frames.

ENGINE BRIGGS & STRATTON MODEL 303447-0411-01

Ref. No.	Part No.	Description	No. Used
16	807589	Crankshaft Note: 807625 Thrust Washer	
17	805213	Bearing - Ball	
24	805016	Key - Flywheel	
25	807619	Piston Assembly (Standard)	
	807807	Piston Assembly .010 O.S.	
	807809	Piston Assembly .020 O.S.	
	807811	Piston Assembly .030 O.S.	
26	807620	Ring Set - Piston (Standard)	
	807808	Ring Set - Piston .010 O.S.	
	807810	Ring Set - Piston .020 O.S.	
	807812	Ring Set - Piston .030 O.S.	
27	805099	Lock - Piston Pin	

Ref. No.	Part No.	Description	No. Used
28	807621	Piston Pin Assembly	
29	807622	Connecting Rod Assembly	
32	805395	Screw - Connecting Rod	
39	805300	Plate - Windage	
46	807542	Gear - Cam	
*116	805058	O-Ring (Oil Pump)	
*116B	805316	O-Ring (Pick - Up Tube)	
243	807598	Screen - Oil Pump Pick-Up	
305	805406	Screw	
819	805057	Screw	
823	805317	Screw - Mounting	
1024	807644	Oil Pump Assembly	
1025	805313	Slider - Governor	

*Included in Gasket Set - Part No. 807640.



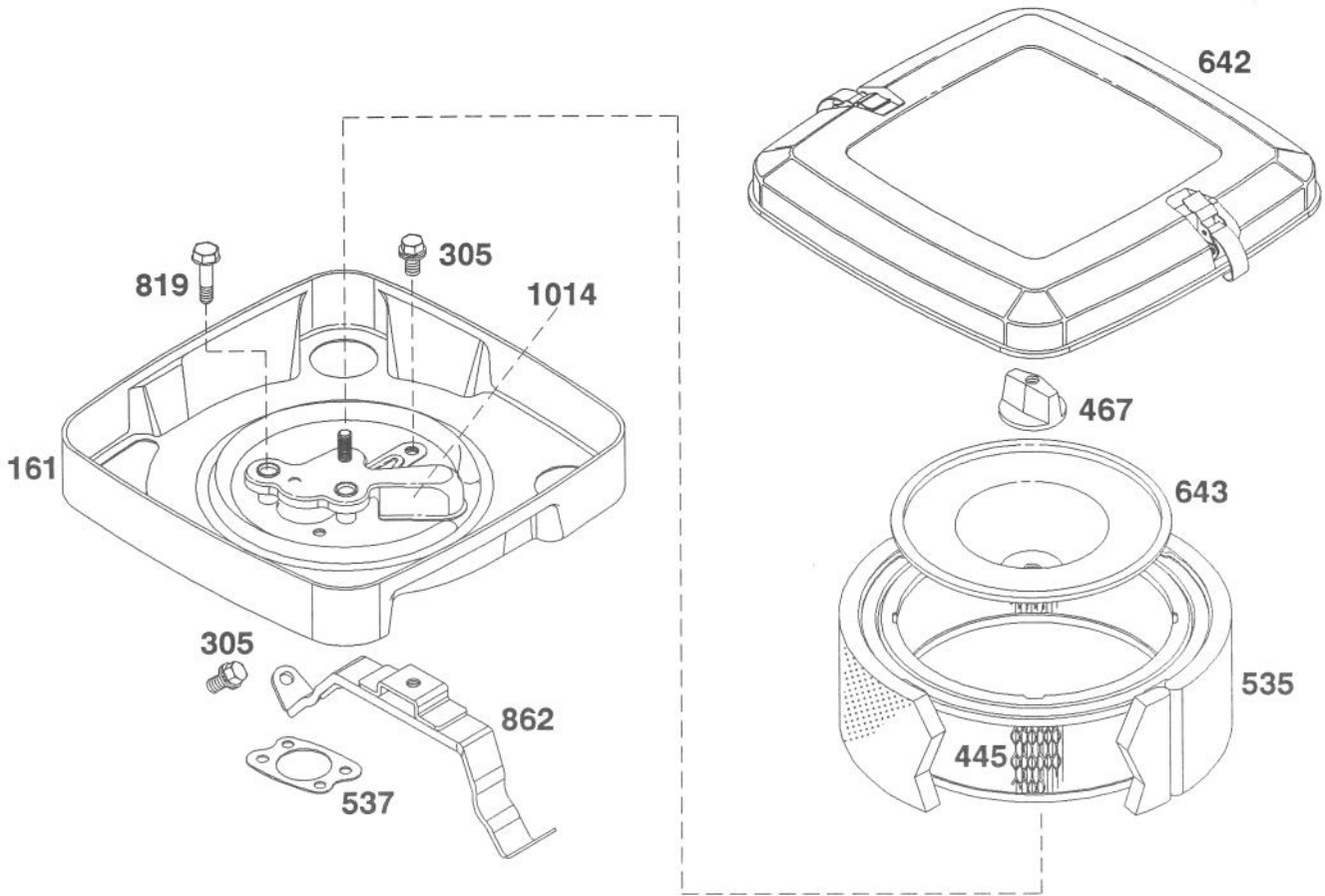
Assemblies include all parts shown in frames.

ENGINE BRIGGS & STRATTON MODEL 303447-0411-01

Ref. No.	Part No.	Description	No. Used
*51	805264	Gasket - Carburetor Mtg.	
87	805054	Seal - Governor Shaft	
91	807919	Body - Upper Carburetor	
95	805538	Screw - Valve Mtg.	
98	807718	Screw - Throttle Adj.	
*102	805541	Gasket - Intake Elbow	
103	805546	Float Assembly	
*104	805545	Pin - Float Hinge	
*105	805547	Valve - Fuel Inlet	
108	805539	Valve - Choke	
*117	805548	Jet - Main	
*118	807719	Valve - Idle Adjusting Needle	
119	805540	Screw - Upper Body Mtg.	
125	807918	Carburetor Assembly	
*127	805559	Plug - Welch	

Ref. No.	Part No.	Description	No. Used
130	805554	Valve - Throttle	
131	807720	Shaft - Throttle	
141	807722	Shaft - Choke	
*147	805553	Jet - Slow Speed	
187	393815	Hose - Fuel (Cut to Suit)	
240	394358	Filter - Fuel	
307	805025	Screw	
387	491922	Pump - Fuel	
601	93053	Clamp - Hose	
*634A	805557	Collar - Throttle	
*634B	805543	Collar - Choke	
788	807685	Bracket - Fuel Pump	
823	805317	Screw - Mounting	
947	807664	Solenoid	
*987	805544	Seal - Shaft	

*Included in Carburetor Overhaul Kit - Part No. 807726.

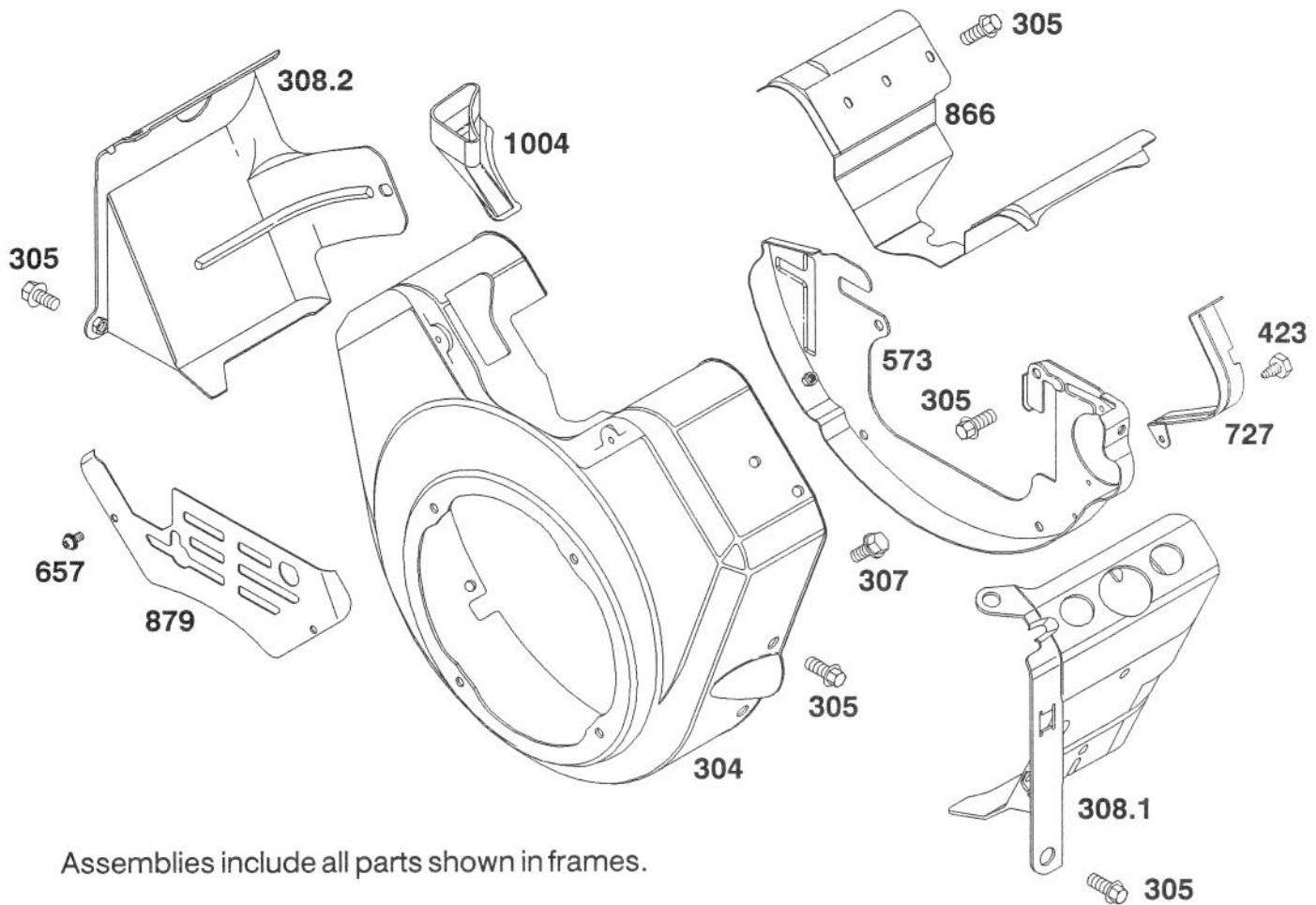


Assemblies include all parts shown in frames.

ENGINE BRIGGS & STRATTON MODEL 303447-0411-01

Ref. No.	Part No.	Description	No. Used
161	807857	Base Assy. - Air Cleaner	
305	805406	Screw	
445	394018	Cartridge - Air Cleaner	
467	491875	Knob - Air Cleaner	
535	271271	Element - Foam	
537	805655	Gasket - Air Cleaner	

Ref. No.	Part No.	Description	No. Used
642	807862	Cover Assy. - Air Cleaner	
643	805631	Plate - Air Cleaner	
819	805057	Screw	
862	807796	Bracket - Air Cleaner	
1014	807797	Carburetor Inlet Shield Assy.	

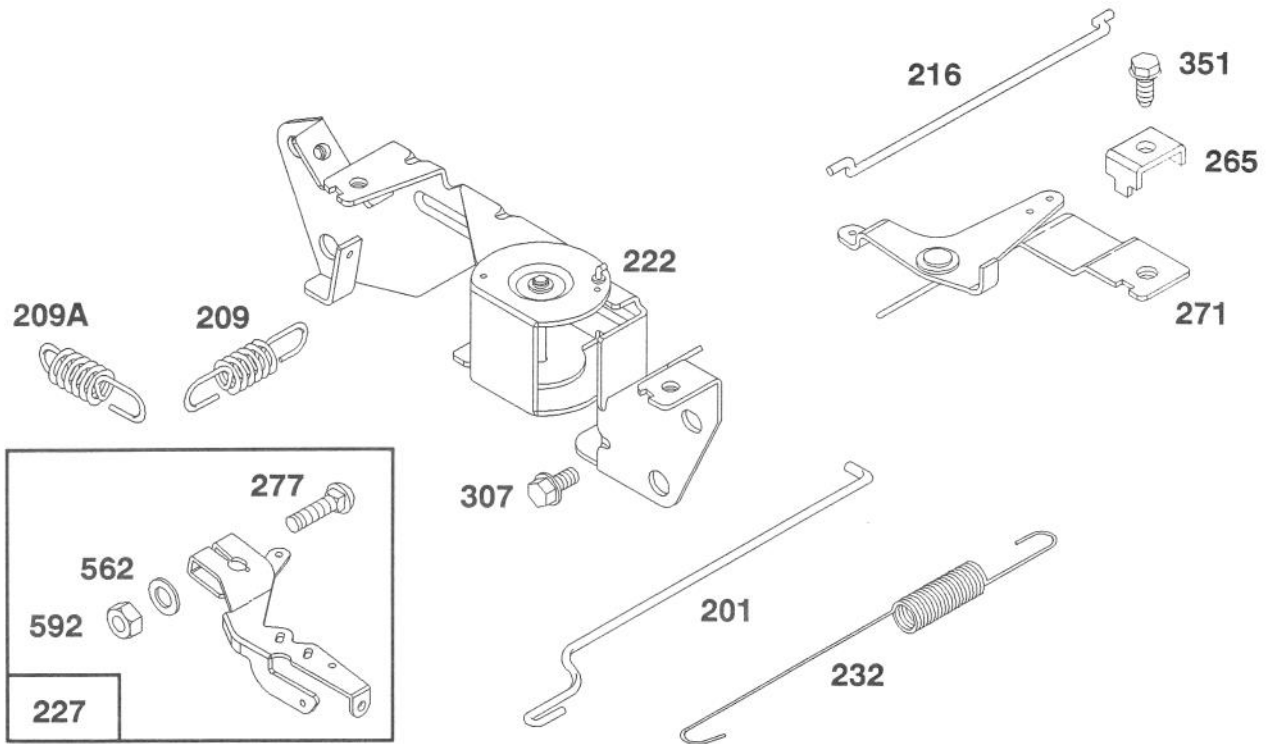


Assemblies include all parts shown in frames.

ENGINE BRIGGS & STRATTON MODEL 303447-0411-01

Ref. No.	Part No.	Description	No. Used
304	807898	Housing - Blower	
305	805406	Screw	
307	805025	Screw	
308.1	807656	Cover - Air Guide (Cyl. #1)	
308.2	807657	Cover - Air Guide (Cyl. #2)	
423	805260	Screw	

Ref. No.	Part No.	Description	No. Used
573	807663	Back Plate Assembly	
657	805009	Screw	
727	805505	Shield - Starter	
866	807660	Valley Cover - Air Guide	
879	805636	Cover - Carburetor	
1004	805632	Tube - Air Inlet	

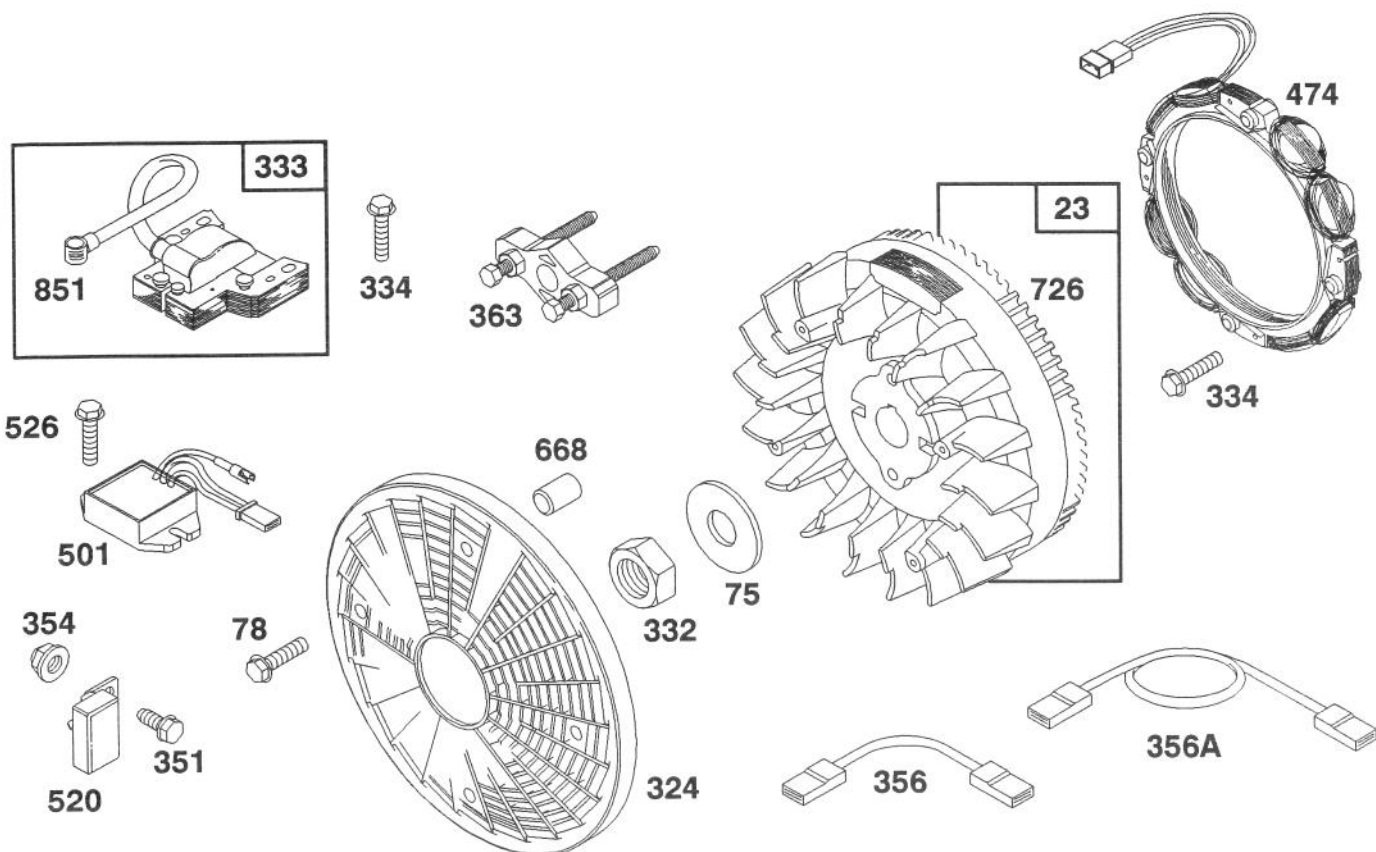


Assemblies include all parts shown in frames.

ENGINE BRIGGS & STRATTON MODEL 303447-0411-01

Ref. No.	Part No.	Description	No. Used
201	805480	Link - Governor	
209	805464	Spring - Governor	
209A	805453	Spring - Governed Idle	
216	805439	Link - Choke	
222	807610	Bracket - Governor Control	
227	807528	Lever Assembly - Governor	
232	805465	Spring - Governor Link	

Ref. No.	Part No.	Description	No. Used
265	221535	Clamp - Casing	
271	807609	Bracket - Choke Control	
277	805018	Washer	
307	805025	Screw	
351	805169	Screw - Hex. Head	
562	805381	Bolt	
592	805383	Nut - Hex.	

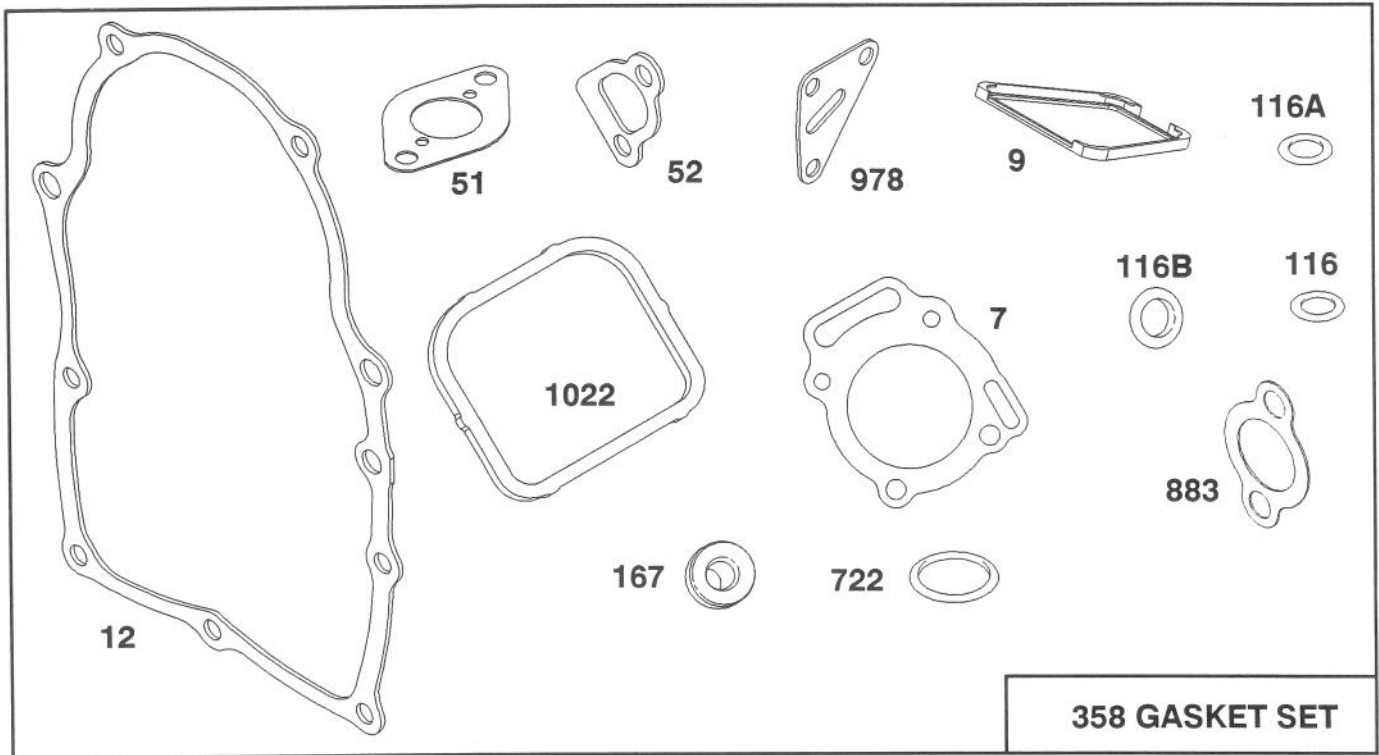


Assemblies include all parts shown in frames.

ENGINE BRIGGS & STRATTON MODEL 303447-0411-01

Ref. No.	Part No.	Description	No. Used
23	807531	Flywheel - Magneto	
75	805007	Washer - Spring	
78	805447	Screw	
324	280829	Screen - Rotating	
332	805021	Nut - Hex	
333	492341	Armature - Magneto	
334	805407	Screw - Mounting	
351	805169	Screw - Hex Head	
354	805496	Nut - Nylock	
356	807594	Wire - Ground (Cyl. #1)	

Ref. No.	Part No.	Description	No. Used
356A	807593	Wire - Ground (Cyl. #2)	
363	19203	Puller - Flywheel	
474	393295	Stator - Alternator	
501	394890	Regulator - Alternator	
520	807527	Terminal - Ground	
526	805448	Screw - Mtg.	
668	805402	Spacer	
726	807805	Gear - Flywheel Ring	
851	221798	Terminal - Ignition Cable	



Assemblies include all parts shown in frames.

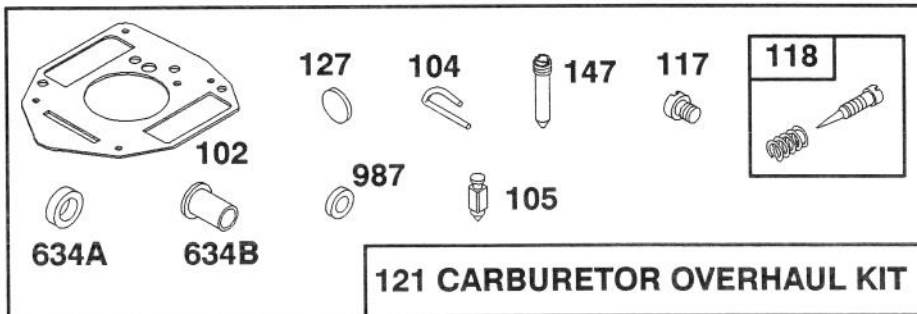
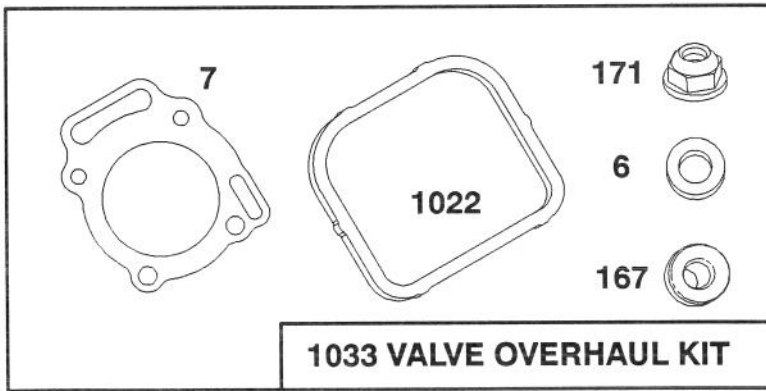
ENGINE BRIGGS & STRATTON MODEL 303447-0411-01

Ref. No.	Part No.	Description	No. Used
†7	805111	Gasket - Cylinder Head	
*9	805379	Gasket - Breather	
*12	805112	Gasket - Crankcase Cover	
*51	805264	Gasket - Carburetor Mtg.	
*52	805023	Gasket - Intake Manifold	
*116	805058	O-Ring (Oil Pump)	
*116A	805198	O-Ring (Crankcase Cover)	

Ref. No.	Part No.	Description	No. Used
*116B	805316	O-Ring (Pick - Up Tube)	
*†167	805420	Washer - Valve Cover	
358	807640	Gasket Set	
*722	805483	Seal - Breather Screw	
*883	805024	Gasket - Exhaust Manifold	
*978	805250	Gasket - Oil Filter Adapter	
*†1022	805028	Gasket - Valve Cover	

*Included in Gasket Set - Part No. 807640.

†Included in Valve Overhaul Kit - Part No 807668.



Assemblies include all parts shown in frames.

ENGINE BRIGGS & STRATTON MODEL 303447-0411-01

Ref. No.	Part No.	Description	No. Used
‡6	805193	Washer - Cylinder Head	
‡7	805111	Gasket - Cylinder Head	
*9	805379	Gasket - Breather	
†102	805541	Gasket - Intake Elbow	
†104	805545	Pin - Float Hinge	
†105	805547	Valve - Fuel Inlet	
†117	805548	Jet - Main	
†118	807719	Valve - Idle Adjusting Needle	
121	807726	Carburetor Overhaul Kit	
† 127	805559	Plug - Welch	

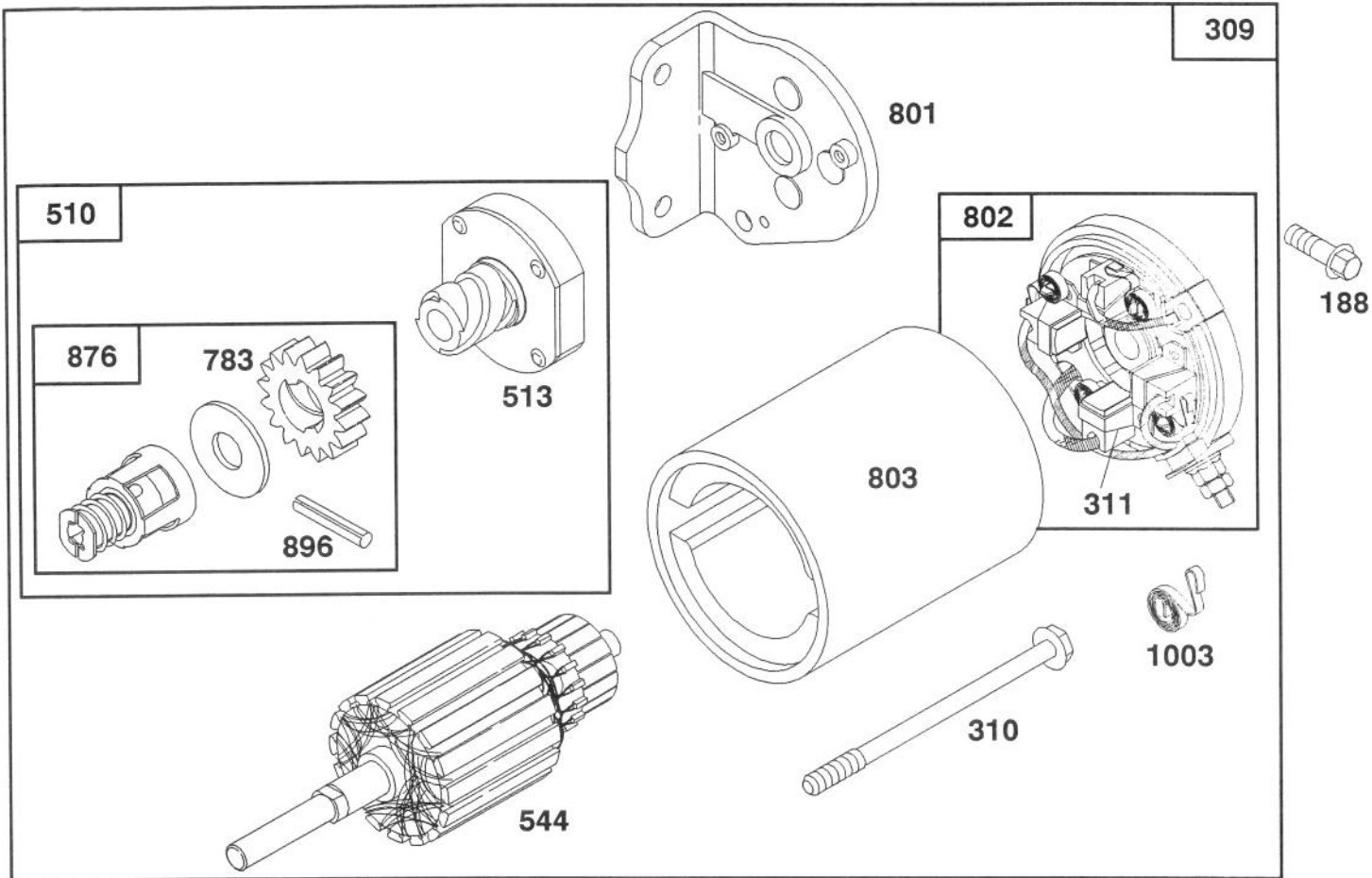
Ref. No.	Part No.	Description	No. Used
† 147	805553	Jet - Slow Speed	
‡167	805420	Washer - Valve Cover	
‡171	805019	Nut - Nylock	
†634A	805557	Collar - Throttle	
†634B	805543	Collar - Choke	
722	805483	Seal - Breather Screw	
† 987	805544	Seal - Shaft	
*‡1022	805028	Gasket - Valve Cover	
1033	807668	Overhaul Kit - Valve	
1036	807688	Gasket Set - Breather	

*Included in Gasket Set - Part No. 807640.

†Included in Carburetor Overhaul Kit - Part No.

807726.

‡Included in Valve Overhaul Kit - Part No. 807668.



Assemblies include all parts shown in frames.

ENGINE BRIGGS & STRATTON MODEL 303447-0411-01

Ref. No.	Part No.	Description	No. Used
188	805247	Screw - Hex. Head	
309	399169	Motor - Starting	
310	94169	Bolt	
311	490311	Brush Assembly	
510	490421	Drive Assembly	
513	398003	Clutch Assembly	
544	490309	Armature Assembly	

Ref. No.	Part No.	Description	No. Used
783	280104	Gear	
801	394856	Cap Assy. - Drive	
802	490310	Cap Assy. - Commutator	
803	398892	Housing Assembly	
876	490467	Gear Kit	
896	94288	Roll Pin	
1003	490316	Brush Spring Set	

INTERNATIONAL DECAL CROSS REFERENCE

JAPANESE DECAL KIT NO. 83-2600

DESCRIPTION	LOCATION	PART NUMBER	
		ENGLISH	JAPANESE
Plate Control	Upper Control Panel	83-0850	83-2570
Decal ANSI	Rear of Frame	N/A	84-3020
Decal Parking Brake	Footrest Plate	27-2830	83-2480
Decal Hydraulic Oil	Seat Back	58-6530	84-3180
Decal Warning	Cutting Unit Pull Frames	62-5070	84-6560
Panel Engine RPM	Engine Air Cleaner Cover	71-3620	83-2550
Decal Hot Surface	Engine Blower Housing	63-8440	83-2560
Decal Traction Speed	Lower Control Panel	83-2260	83-2500
Decal Warning	Steering Valve Support	83-1790	83-2520
Decal Traction	Right Side Cover	83-1850	83-2540
Decal Mow / Lift	Footrest Plate	51-0050	83-2530
Decal Service	Seat Back	83-1780	83-2490
Decal Steering Arm	Steering Arm	83-2050	83-2510

SWEDISH DECAL KIT NO. 83-2640

DESCRIPTION	LOCATION	PART NUMBER	
		ENGLISH	SWEDISH
Plate Control	Upper Control Panel	83-0850	N/A
Decal ANSI	Rear of Frame	N/A	84-2950
Decal Parking Brake	Footrest Plate	27-2830	84-9220
Decal Hydraulic Oil	Seat Back	58-6530	84-3110
Decal Warning	Cutting Unit Pull Frames	62-5070	84-6590
Panel Engine RPM	Engine Air Cleaner Cover	71-3620	84-9570
Decal Hot Surface	Engine Blower Housing	63-8440	84-9620
Decal Traction Speed	Lower Control Panel	83-2260	84-9320
Decal Warning	Steering Valve Support	83-1790	84-9420
Decal Traction	Right Side Cover	83-1850	84-9520
Decal Mow / Lift	Footrest Plate	51-0050	84-9470
Decal Service	Seat Back	83-1780	84-9270
Decal Steering Arm	Steering Arm	83-2050	84-9370

INTERNATIONAL DECAL CROSS REFERENCE (Cont.)

ITALIAN DECAL KIT NO. 83-2650

DESCRIPTION	LOCATION	PART NUMBER	
		ENGLISH	ITALIAN
Plate Control	Upper Control Panel	83-0850	N/A
Decal ANSI	Rear of Frame	N/A	84-2990
Decal Parking Brake	Footrest Plate	27-2830	84-9230
Decal Hydraulic Oil	Seat Back	58-6530	84-3150
Decal Warning	Cutting Unit Pull Frames	62-5070	84-6550
Panel Engine RPM	Engine Air Cleaner Cover	71-3620	84-9580
Decal Hot Surface	Engine Blower Housing	63-8440	84-9630
Decal Traction Speed	Lower Control Panel	83-2260	84-9330
Decal Warning	Steering Valve Support	83-1790	84-9430
Decal Traction	Right Side Cover	83-1850	84-9530
Decal Mow / Lift	Footrest Plate	51-0050	84-9480
Decal Service	Seat Back	83-1780	84-9280
Decal Steering Arm	Steering Arm	83-2050	84-9380

GERMAN DECAL KIT NO. 83-2630

DESCRIPTION	LOCATION	PART NUMBER	
		ENGLISH	GERMAN
Plate Control	Upper Control Panel	83-0850	N/A
Decal ANSI	Rear of Frame	N/A	84-2970
Decal Parking Brake	Footrest Plate	27-2830	84-9210
Decal Hydraulic Oil	Seat Back	58-6530	84-3130
Decal Warning	Cutting Unit Pull Frames	62-5070	85-6540
Panel Engine RPM	Engine Air Cleaner Cover	71-3620	84-9560
Decal Hot Surface	Engine Blower Housing	63-8440	84-9610
Decal Traction Speed	Lower Control Panel	83-2260	84-9310
Decal Warning	Steering Valve Support	83-1790	84-9410
Decal Traction	Right Side Cover	83-1850	84-9510
Decal Mow / Lift	Footrest Plate	51-0050	84-9460
Decal Service	Seat Back	83-1780	84-9260
Decal Steering Arm	Steering Arm	83-2050	84-9360

INTERNATIONAL DECAL CROSS REFERENCE (Cont.)

SPANISH DECAL KIT NO. 83-2610

DESCRIPTION	LOCATION	PART NUMBER	
		ENGLISH	SPANISH
Plate Control	Upper Control Panel	83-0850	N/A
Decal ANSI	Rear of Frame	N/A	84-2980
Decal Parking Brake	Footrest Plate	27-2830	84-9190
Decal Hydraulic Oil	Seat Back	58-6530	84-3140
Decal Warning	Cutting Unit Pull Frames	62-5070	85-6580
Panel Engine RPM	Engine Air Cleaner Cover	71-3620	84-9540
Decal Hot Surface	Engine Blower Housing	63-8440	84-9590
Decal Traction Speed	Lower Control Panel	83-2260	84-9290
Decal Warning	Steering Valve Support	83-1790	84-9390
Decal Traction	Right Side Cover	83-1850	84-9490
Decal Mow / Lift	Footrest Plate	51-0050	84-9440
Decal Service	Seat Back	83-1780	84-9240
Decal Steering Arm	Steering Arm	83-2050	84-9340

FRENCH DECAL KIT NO. 83-2620

DESCRIPTION	LOCATION	PART NUMBER	
		ENGLISH	FRENCH
Plate Control	Upper Control Panel	83-0850	N/A
Decal ANSI	Rear of Frame	N/A	84-2960
Decal Parking Brake	Footrest Plate	27-2830	84-9200
Decal Hydraulic Oil	Seat Back	58-6530	84-3120
Decal Warning	Cutting Unit Pull Frames	62-5070	85-6530
Panel Engine RPM	Engine Air Cleaner Cover	71-3620	84-9550
Decal Hot Surface	Engine Blower Housing	63-8440	84-9600
Decal Traction Speed	Lower Control Panel	83-2260	84-9300
Decal Warning	Steering Valve Support	83-1790	84-9400
Decal Traction	Right Side Cover	83-1850	84-9500
Decal Mow / Lift	Footrest Plate	51-0050	84-9450
Decal Service	Seat Back	83-1780	84-9250
Decal Steering Arm	Steering Arm	83-2050	84-9350

PART NUMBER INDEX

Part No.	Description	Pg. No.	Ref. No.	Qty.	Part No.	Description	Pg. No.	Ref. No.	Qty.
04412	Full Roller Carton of 3	37	*	1	11-0160	Roller Shaft Screw Assy.	6	36	2
04414	Swaged Roller Carton of 3	37	*	1	12-0460	Caplug	33	19	1
04424	Wiehle Roller Carton of 3	37	*	1	12-0460	Caplug	35	21	1
3-0348	Bushing - Sleeve	3	11	6	12-2789	Reel - 11 Blade	35	28	1
3-0348	Bushing - Sleeve	4	14	6	12-2789	Reel - 11 Blade	57	21	1
3-0348	Bushing - Sleeve	6	22	6	12-3270	Screw - Hex. Washer Hd.	10	38	1
3-1506	Bushing - Flange	3	16	4	12-3270	Screw - Thread Forming	12	50	1
3-1506	Bushing - Flange	4	30	4	12-3599	Reel - 8 Blade	35	*	1
3-1506	Bushing - Flange	6	38	4	12-3599	Reel 8 Blade	57	*	1
3-2652	Bolt	48	2	2	12-3599	Reel Assy. 8 Blade (04408)	33	1	1
3-4808	Nut - Wing	60	1	1	12-7009	Seal - Spool Set	14	*	1
3-6657	Clip - Skid	60	4	2	12-7009	Seal - Spool Set	16	*	1
3-6685	Spring - Compression	19	17	1	12-8779	Reel Assy. 5 Blade (04405)	33	*	1
3-7253	Bolt - Carriage	33	42	2	12-9140	Decal	60	1	1
3-7253	Bolt - Carriage	36	41	2	13-3659	Overhaul Kit	36	*	1
5-0946	Key - Square	27	12	1	13-3659	Overhaul Kit	58	*	1
5-0946	Key - Square	28	16	1	13-8199	Bar Adj. Gauge	34	*	1
5-1226	Washer - Shim	3	10	2	13-8199	Bar Adj. Gauge	35	*	1
5-1226	Washer - Shim	4	16	2	13-8199	Bar Adj. Gauge	57	*	1
5-1226	Washer - Shim	6	24	2	17-1450	Frame W.A.	47	6	1
5-3934	Bolt - Castor	29	20	1	17-1510	Eye Bolt	47	14	2
8-2520	Support - Comb	36	29	1	17-1520	Counterweight	47	22	1
8-2520	Support Comb	34	49	1	17-1530	Grass Shield	47	13	1
8-2530	Comb - Urethane	34	51	1	17-1570	Shaft Hex	47	34	1
8-2530	Comb - Urethane	36	30	1	17-1580	Spacer	47	31	2
8-7710	Ball Joint Receiver Assy.	3	25	2	17-1590	Blade	47	32	37
8-7710	Ball Joint Receiver Assy.	4	4	2	17-1600	Spacer	47	33	72
8-7710	Ball Joint Receiver Assy.	6	4	2	17-1610	Housing - Bearing	47	3	1
10-4850	Spring - Compression	42	10	6	17-1620	Bushing - Wheel	47	26	4
10-4870	Bracket Height-of-Cut	42	3	6	17-1630	Wheel	47	25	4
10-4880	Pin - Height-of-Cut	42	11	6	17-1640	Scraper-Wheel L.H.	47	17	2
10-4930	Bed Bar	33	3	1	17-1650	Scraper - Wheel R.H.	47	1	2
10-5010	Screw - Roller Adjustment	33	34	2	17-1710	Washer	47	15	4
10-5010	Screw - Roller Adjustment	36	33	2	17-2290	Gauge .060	47	*	2
10-5060	Bracket - Height of Cut	36	25	2	17-2300	Gauge .120	47	*	2
10-5060	Bracket Height of Cut	33	33	2	17-2310	Gauge .250	47	*	2
10-5080	End Cap	33	21	1	18-2400	Hose - Rubber	50	8	2
10-5100	Nut - Spline	34	56	1	18-6320	Washer - Steering	29	7	3
10-5100	Nut - Spline	47	2	1	19-9540	Spring - Torsion LH	46	6	1
10-5120	Housing - Bearing	33	26	2	19-9540	Spring L.H.	45	6	1
10-5120	Housing - Bearing	35	4	2	19-9550	Spring - Torsion RH	46	*	1
10-5120	Housing - Bearing	57	3	2	19-9550	Spring R.H.	45	*	1
10-5140	Adj. Plate - Height-of-Cut	42	1	6	19-9560	Spacer - Spring	46	5	4
10-6060	Pin - Lift Cylinder	3	7	1	19-9560	Spacer - Spring	45	5	4
10-6060	Pin - Pivot	4	19	1	20-0080	Rod	60	7	1
10-6090	Pin - Pivot	3	37	1	20-0110	Bracket - Alignment	60	2	1
10-6090	Pin - Pivot	4	33	1	20-2210	Knob Assembly	50	11	2
10-6090	Pin - Pivot	6	41	1	20-4700	Pivot Pin	42	12	6
10-6110	Pin - Hinge	3	3	1	20-7330	Countershaft	49	9	1
10-6110	Pin - Pivot	4	24	1	20-7350	Stud	49	26	2
10-6820	Brake Drum Assembly	8	*	2	20-7360	Key	49	23	1
10-6830	Stud - Drive	8	28	8	20-7370	Key - Square	48	3	1
10-6830	Stud - Drive	29	17	4	20-7380	Blade	48	7	10
10-6850	Drum - Brake	8	6	2	20-7390	Spacer	48	6	9
10-6870	Hub - Wheel	8	5	2	20-7400	Spacer	48	8	1
10-7070	Key - Square	27	20	1	20-7410	Gasket	49	17	1
10-7820	Pivot Hinge Assembly	3	12	1	20-7420	Frame	48	36	1
10-7820	Pivot Hinge Assembly	4	25	1	20-7510	Spacer	48	35	4
10-7820	Pivot Hinge Assembly	6	33	1	20-7520	Spring	48	34	1
10-7850	Latch - Parking Brake	1	23	1	20-7530	Spacer	48	21	1
10-7880	Hinge - Upper	1	8	1	20-7540	Spring Tube	48	23	1
10-7890	Hinge - Lower	1	22	1	20-7570	Roller Mounting Bracket	48	30	4
10-8100	Strap - Brake Shaft	1	31	2	20-7690	Gear 15T	49	8	1
10-8110	Washer - Thrust	3	9	6	20-7700	Cover Assembly	49	15	1
10-8110	Washer - Thrust	4	15	6	20-7720	Counter - Weight	48	14	1
10-8110	Washer - Thrust	6	23	6	20-7740	Bushing	49	16	1
10-8140	Spring - Torsion	1	7	1	20-7750	Gear 16T	49	24	1
10-8240	Pad - Lift	2	37	1	20-7790	Washer	48	9	1
10-8250	Pad - Mow	2	39	1	20-7820	Gear 45T	49	20	1
11-0070	Scraper Comb Assembly	33	37	1	20-7850	Gear 64T	49	4	1
11-0070	Scraper Comb Assembly	36	31	1	20-9990	Nut - Jam	29	5	1
11-0160	Roller Shaft Screw Assy.	3	14	2	21-6000	Spiker Depth Gauge	48	*	1
11-0160	Roller Shaft Screw Assy.	4	28	2	21-8430	Bearing - Rear Roller	35	19	2

*Not Illustrated

PART NUMBER INDEX (Continued)

Part No.	Description	Pg. No.	Ref. No.	Qty.	Part No.	Description	Pg. No.	Ref. No.	Qty.
21-8430	Bearing - Roller, Rear	57	16	2	44-0870	Shaft - Cam	10	5	1
21-8430	Rear Bearing	33	10	2	44-2230	Coupling - Rubber	27	16	1
21-8450	Rear Roller Assembly	33	9	1	44-5560	Head - Oil Filter	20	27	1
21-8470	Shaft - Roller	3	21	1	46-8560	Screw - Self Taping	20	20	3
21-8470	Shaft - Roller	4	36	1	47-2890	Bushing - Sleeve	17	20	2
21-8470	Shaft - Roller	6	44	1	47-5320	Lever - Control	10	40	1
21-9110	Pin - Ball, Lock	48	4	1	47-6640	Valve Flow Control	52	*	1
22-6090	Washer - Thrust	59	4	1	47-6990	Nut - Steering Wheel	17	10	1
23-5150	Shaft Assembly	49	13	1	48-7610	Screw - Cap Hex. Hd.	24	9	1
23-8840	Puller - Bolt	59	3	1	49-0300	Plug Pipe	52	10	2
23-8850	Tube - Support	59	5	1	49-0320	Plate - Dial	52	20	1
23-8860	Pin - Bearing Rplcmnt.	59	6	1	49-0340	Spring - Metering	52	12	1
23-8880	Driver - Bearing	59	1	2	49-0350	Handle	52	18	1
24-9200	Spacer - Mounting	44	3	2	49-0360	Screw - Thumb	52	2	1
24-9220	Pivot Plate	44	8	2	49-0370	Spool - Metering	52	11	1
24-9240	Washer	44	19	2	49-1430	Protector - Seal	59	1	1
24-9260	Rod - Adjustment	44	4	2	49-1450	Installer - Seal	59	2	1
24-9310	Base Plate R.H.	44	*	1	49-5430	Rod - Control	1	4	1
24-9320	Base Plate L.H.	44	18	1	49-5430	Rod - Control	10	1	1
24-9330	Pivot Arm L.H.	44	12	1	49-5880	Shaft - Seat Suport	19	27	1
24-9340	Pivot Arm R.H.	44	*	1	49-6070	Lift Pivot Bracket Assy. R.H.	2	40	1
24-9370	Spring - Compression	44	7	2	49-6090	Lift Pivot Bracket Assy. L.H.	1	28	1
26-0930	Support - Lift	51	1	3	49-6110	Guard - Transfer Rod	1	6	1
26-0940	Plate - Wear	51	4	6	49-6120	Pad - Footrest	1	13	1
26-0950	Plate Dished	51	5	6	49-6170	Pad - Brake	2	49	1
26-3790	Nut - Lock	8	4	2	49-6200	Lever - Cutting Control	2	42	1
27-1960	Hub - Engine	27	21	1	49-6220	Bracket - Control Arm	10	9	1
27-1970	Hub - Pump	27	22	1	49-6250	Bracket - Traction Pivot	10	35	1
27-2270	Rod - Brake Adjusting	1	29	2	49-6260	Pivot - Traction	10	21	1
27-2320	Bearing - Flange	10	7	2	49-6290	Shaft - Traction Pivot	10	37	1
27-2380	Spacer	20	32	2	49-6440	Pedal - Forward	10	42	1
27-2540	Spacer - Hub	6	31	1	51-0050	Decal - Mow/Lift	1	14	1
27-2550	Pin - Pivot	6	27	1	51-0350	Pin - Seat Spring	19	16	1
27-2650	Height-of-Cut Adjustment	33	14	2	51-0780	Slider - Seat	19	31	1
27-2830	Decal - Parking Brake	1	9	1	51-0790	Adjuster - Seat	19	6	1
27-6600	Spacer - Coupling	27	15	4	52-1990	Piston	5	3	1
28-1400	Battery	20	11	1	52-2720	Roller Assembly	3	20	1
28-2070	Front Bracket	50	10	1	52-2720	Roller Assembly	4	35	1
28-3680	Tire	8	2	2	52-2720	Roller Assembly	6	43	1
28-3680	Tire	29	9	1	52-2740	Pull Arm Assembly L.H.	3	17	1
28-4210	Solenoid - Starter	20	5	1	52-2740	Pull Arm Assembly L.H.	4	31	1
28-7890	Module - Interlock	21	26	1	52-2740	Pull Arm Assembly L.H.	6	39	1
28-8080	Boot Terminal	20	13	1	52-2750	Pull Arm Assembly R.H.	3	19	1
29-9080	Handle	60	3	1	52-2750	Pull Arm Assembly R.H.	4	34	1
29-9090	Hose - Handle	60	4	1	52-2750	Pull Arm Assembly R.H.	6	42	1
33-0630	Brush	33	41	1	52-2860	Washer	36	3	1
33-1000	Scraper Brush Assembly	33	40	1	52-2860	Washer	58	3	1
36-4310	Brush	60	5	1	52-2890	Bushing - Flanged	36	18	4
36-4780	Washer	43	14	6	52-2890	Bushing - Flanged	58	18	4
36-7190	Grass Shield	33	2	1	52-2900	Washer - Poly	36	4	2
36-7260	Cut-Off Bar	33	4	1	52-2900	Washer - Poly	58	4	2
36-7260	Cut-Off Bar	35	38	1	52-2910	Bolt - Eccentric Shoulder	36	24	1
36-7260	Cut-Off Bar	57	27	1	52-2910	Bolt - Eccentric, LH	58	24	1
37-8130	Grass Basket Assembly	36	*	2	52-2930	Bolt - Adjustment Shoulder	36	1	1
37-8130	Grasss Basket Assy.	34	*	3	52-2930	Bolt - Shoulder, RH	58	1	1
38-0410	Nut - Hex.	14	53	1	52-3100	Bolt - Eccentric	35	12	1
38-0410	Nut - Hex.	16	59	1	52-3100	Bolt - Eccentric, HOC - LH	57	10	1
39-9600	Clamp - Mounting	21	9	1	52-3100	Bolt - H.O.C.	43	2	3
42-2680	Race R. Detent	13	46	1	52-3110	Bolt - H.O.C.	43	*	3
42-4780	Scraper Mount L.H.	45	7	1	52-3110	Bolt - Shoulder	35	39	1
42-4790	Scraper Mount R.H.	45	*	1	52-3110	Bolt - Shoulder, HOC - RH	57	28	1
42-4800	Bar - Scraper	46	1	1	52-3120	Rear Roller Adjustment	57	14	1
42-4800	Scraper Bar	45	1	1	52-3120	Rear Roller Assembly	35	17	1
43-2830	Nut - Hex	26	33	1	52-3170	Full Front Roller Assembly	37	3	1
43-5220	Ring - Retaining	7	10	1	52-3170	Roller Assembly	48	16	2
43-5230	Shaft & Clevis	7	11	1	52-3180	Bearing - Front Roller	37	1	2
43-5930	Washer - Lock	26	25	1	52-3180	Front Roller Bearing	48	17	4
43-8600	Spring - Compression	19	21	1	52-3210	Bearing - Wiehle Roller	37	6	2
43-8610	Seat - Ball	19	20	1	52-3590	Swaged Roller Assembly	37	4	1
43-8620	Guide - Switch	19	23	1	52-5860	Collar - Spool	16	51	1
43-8860	Plunger - Switch	19	22	1	52-5880	Ball - Steel	13	47	12
43-8870	Boot - Switch	19	26	1	52-5900	Screw - Fillister Hd.	15	37	4
43-9071	Seat Switch Assembly	19	*	1	52-9230	Ring - Retaining	18	2	1

*Not Illustrated

PART NUMBER INDEX (Continued)

Part No.	Description	Pg. No.	Ref. No.	Qty.	Part No.	Description	Pg. No.	Ref. No.	Qty.
52-9250	Needle Bearing Kit	18	*	1	63-3830	Hose - Hydraulic	31	13	1
52-9260	Screw - Set	18	26	1	63-3840	Hose - Hydraulic	11	36	1
52-9270	Seat - Ball, Check	18	24	1	63-3840	Hose - Hydraulic	31	5	1
52-9280	Ball - Check	18	22	1	63-3850	Hose - Hydraulic	3	39	1
52-9290	Retainer - Ball, Check	18	21	1	63-3850	Hose - Hydraulic	11	31	1
52-9350	Screw - Cap	18	19	7	63-3870	Hose - Hydraulic	31	16	1
53-4860	Decal - Safety	29	35	1	63-3880	Hose - Hydraulic	4	40	1
53-9250	Bracket - Mount., Scraper	46	7	2	63-3880	Hose - Hydraulic	11	29	1
53-9960	Housing Assembly	49	2	1	63-4020	Tube - Hydraulic	11	40	1
54-7120	Bracket - Quick H.O.C.	43	*	3	63-4020	Tube - Hydraulic	31	17	1
54-7140	Pull Arm Assembly	43	15	6	63-4030	Tube - Hydraulic	11	41	1
54-7170	Spring - Extension	43	17	6	63-4030	Tube - Hydraulic	31	18	1
54-7180	Shaft-Cam	43	8	3	63-4040	Hydraulic Tube Assembly	31	4	1
54-7190	Cam - Quick H.O.C.	43	1	3	63-4040	Tube - Hydraulic	11	35	1
54-7200	Cam - Quick H.O.C.	43	*	1	63-4050	Fitting - Tee	11	42	2
54-7240	Cam - Quick H.O.C.	43	9	2	63-8360	Key - Ignition	21	17	1
54-7250	Bracket - Quick H.O.C.	43	4	3	63-8410	Washer - Flat	23	36	3
54-7300	Bolt - Bedbar	43	16	3	63-8410	Washer - Flat	24	4	4
54-7310	Bolt - Bedbar	43	*	3	63-8440	Decal - Warning Hot	26	34	1
54-9510	Motor & By-Pass Assy.	41	*	3	63-8470	Bed Knife - 1/8"	58	*	1
54-9520	Valve - By-Pass	41	4	1	63-8470	Bed Knife 1/8"	36	22	1
54-9530	Fitting - 45° Swivel Elbow	38	6	1	63-8500	Bed Knife 1/8"	33	7	1
54-9530	Fitting - 45° Swivel Elbow	39	7	2	63-8550	Bed Knife - Tournament	33	*	1
54-9540	Fitting - 90° Adjustable El.	38	8	1	63-8560	Bed Knife - Tournament	36	*	1
54-9620	Coupling - Quick Disconn.	38	9	2	63-8560	Bed Knife - Tournament	58	23	1
54-9620	Coupling - Quick Disconn.	39	10	2	63-8600	Bed Knife - Fairway	58	*	1
54-9620	Coupling - Quick Disconn.	40	8	2	63-8600	Bedknife - Fairway	36	*	1
56-2230	Hose - Fuel	24	17	1	63-8610	Bed Knife - Fairway	33	*	1
56-7720	Bolt - Battery	20	17	2	63-8750	Pin - Pivot	3	33	1
56-7970	Clamp Half - Tube	2	45	2	63-8750	Pin - Pivot	4	10	1
57-3210	Screw - Mach. Special	33	45	4	63-8750	Pin - Pivot	6	9	1
57-3210	Screw - Machine, Special	35	29	4	63-9510	Bushing Assy. - Rubber	58	21	1
57-4910	Screw - Special	33	8	7	63-9510	Rubber Bushing Assembly	36	46	2
57-4910	Screw - Special	36	21	13	65-4860	Head	5	9	1
57-4910	Screw - Special	58	22	13	65-6390	Washer - Thrust	17	13	1
57-4940	Bedbar	36	20	1	65-8600	Cap-End	35	23	1
57-4940	Bedbar	58	20	1	65-8600	Knob - Height Adjustment	33	12	2
57-5200	Grass Shield Assembly	35	10	1	65-8600	Knob - Height Adjustment	36	23	2
57-5200	Grass Shield Assembly	57	9	1	65-8600	Knob - Height Adjustment	53	4	2
57-5210	Flap - Shield	35	37	1	65-9220	Housing - Bearing	54	18	1
57-5210	Flap - Shield	57	26	1	65-9230	Plate - Side	54	4	1
57-5260	Pivot - Bedbar	36	17	1	65-9270	Housing - Drive, Belt	55	41	1
57-5260	Pivot - Bedbar	58	17	1	65-9290	Pulley - Driven	55	36	1
57-6140	Clamp Half - Tube	8	20	2	65-9300	Spacer	54	17	1
57-6220	Link	10	17	5	65-9300	Spacer - Pulley, Driven	55	44	1
57-7650	Spring - Torsion	3	32	1	65-9310	Block - Idler	55	39	1
57-7650	Spring - Torsion	4	11	1	65-9320	Idler - Pulley	55	33	1
57-7650	Spring - Torsion	6	18	1	65-9330	Spacer	55	20	1
57-9910	Screw - Pivot	35	15	2	65-9340	Screw - Shoulder	55	32	1
58-3952	Steering - Valve Assembly	17	24	1	65-9350	Adapter	54	3	1
58-6520	Decal - Grease	29	36	2	65-9350	Adapter	55	24	1
58-6530	Decal - Hydraulic Oil	19	33	1	65-9460	Roller Extension W.A.- RH	53	*	1
59-6730	Race - Bearing	18	8	2	65-9490	Bracket - HOC	53	5	2
59-6740	Bearing - Needle, Thrust	18	9	1	65-9500	Screw - Roller Adjustment	53	10	2
59-6830	Centering Pin Kit	18	20	1	65-9530	Roller Extension W.A.- LH	53	13	1
59-6890	Cap - End	18	18	1	65-9550	Cap	55	10	2
61-3310	Plate - Logo	20	21	1	65-9560	Adj. Knob Assembly	55	7	2
62-2390	Bar - Lift L.H.	3	30	1	65-9580	Spring	55	6	2
62-2420	Bar - Lift	4	9	1	65-9610	Adapter	56	3	1
62-2420	Bar - Lift	6	8	1	65-9630	Pulley - Driver	56	7	1
62-2440	Lift Arm Assembly	4	8	1	65-9640	Disc - Release, Clutch	56	10	1
62-2460	Lift Arm Assembly L.H.	3	29	1	65-9650	Screw - Special	56	11	1
62-2500	Bed Knife - 3/16"	58	*	1	65-9660	Pin - Clutch	56	5	1
62-2500	Bed Knife 3/16"	36	*	1	65-9670	Driver	55	5	2
62-2510	Bed Knife 3/16"	33	*	1	65-9670	Spring - Compression	56	6	1
62-5070	Decal - Danger	3	13	1	65-9680	Knob - Clutch	56	14	1
62-5070	Decal - Danger	4	3	1	65-9700	Belt	55	35	1
62-5070	Decal - Danger	6	3	1	65-9710	Cover - Belt	55	30	1
62-5510	Bushing Assy. - Rubber	58	19	2	65-9810	Spring	55	15	2
62-5510	Rubber Bushing Assembly	36	19	2	65-9820	Spacer	54	13	2
63-3810	Hose - Hydraulic	31	1	1	65-9820	Spacer	55	19	2
63-3820	Hose - Hydraulic	31	2	1	65-9830	Ramp	55	11	2

*Not Illustrated

PART NUMBER INDEX (Continued)

Part No.	Description	Pg. No.	Ref. No.	Qty.	Part No.	Description	Pg. No.	Ref. No.	Qty.
65-9850	Washer (RH Side)	55	*	1	74-3570	Filter - Hydraulic Oil	20	29	1
65-9860	Bearing	54	5	1	74-3730	Spacer - Hub	29	11	2
65-9860	Bearing	55	18	1	74-3830	Hose - Hydraulic	11	28	1
65-9890	Bolt - Carriage	55	31	1	74-3830	Hose - Hydraulic	31	12	1
65-9900	Seal - Felt	56	2	1	74-9100	Pad - Forward Pedal	10	25	1
65-9930	Cap	55	2	1	74-9110	Pad - Reverse Pedal	10	23	1
65-9940	Spring	55	1	1	75-0540	Tether - Cap	23	9	1
65-9950	Plate - Caution	55	14	1	75-9190	Seat Assembly	19	5	1
65-9960	Screw - Pivot	54	7	2	75-9440	Hub - Wheel	29	15	1
65-9970	Stud	54	2	2	75-9540	Screw - Set, Soc. Hd.	56	1	1
65-9980	Spacer - Pulley, Idler	55	34	1	75-9980	Shaft	54	11	1
66-1660	Spool - Lever Side	52	13	1	75-9990	Motor - Hydraulic	8	22	2
66-2950	Gauge - Hourmeter	21	5	1	76-0800	Seal Kit	9	*	1
66-7220	Arm - Spring	36	11	1	76-0810	Housing Assembly	9	*	1
66-7220	Arm - Spring	58	11	1	76-0840	Manifold	9	22	1
66-7230	Spring - Compression	36	45	1	76-0850	Bearing - Thrust	9	12	1
66-7230	Spring - Compression	58	25	1	76-0860	Shaft - Coupling	9	11	1
66-7240	Screw - Pivot SPA	36	5	2	76-0870	Plate - Wear	9	18	1
66-7240	Screw - Pivot, SPA	58	5	2	76-0880	Commutator Assembly	9	*	1
67-1300	Decal - TORO	20	39	1	76-0940	End Cover Assembly	9	24	1
68-4940	Hydraulic Pump Assembly	27	9	1	76-0960	Link - Drive	9	13	7
68-5100	Rod - Seat Prop	19	10	1	76-0970	Rotor Set	9	*	1
68-5130	Steering Wheel Assembly	17	11	1	76-1010	Screw - Cap Hex. Hd.	9	14	1
68-5140	Cap - Steering Wheel	17	9	1	76-1850	Clevis	5	13	1
68-5260	Fitting - Manifold Tee	11	37	1	76-1860	Shaft	5	6	1
68-5310	Clip - Seat Rod	19	12	1	76-2810	Valve - Needle	12	54	1
68-5380	Lift Arm Assembly	6	21	1	77-0300	Handle Assembly	36	12	1
68-5560	Pin - Cylinder Pivot	6	26	1	77-0300	Handle Assembly	58	12	1
68-5790	Hose - Hydraulic (Return)	52	9	1	77-0330	Pivot - Single Point Adj.	58	7	1
68-5820	Hose - Hyd. (Pressure)	52	16	1	77-0330	Pivot - Single Point Adjust.	36	7	1
68-5880	Hose - Hydraulic	20	30	1	77-0340	Nut - Spline	35	1	1
68-6150	Breather	23	21	1	77-0350	Retainer - Bearing	36	8	2
69-9760	Plate - Cover	2	50	1	77-0350	Washer - Thrust, Nylon	58	8	2
70-1100	Frame - Reel	34	55	1	77-0480	Screw - Traction Stop	10	34	1
70-1170	Blade (41 Blade Reel)	54	10	41	77-0490	Decal - Bolt, Eccentric	36	47	1
70-1200	Frame - Reel	35	8	1	77-0490	Decal - Bolt, Eccentric	58	26	1
70-1200	Frame - Reel	57	7	1	77-0560	Nut - Splined	54	6	1
70-1350	Spacer (41 Blade Reel)	54	9	84	77-1060	Bracket - Height of Cut	35	7	1
70-2770	Head	7	8	1	77-1060	HOC Adjustment - RH	57	6	1
70-2780	Piston	7	4	1	77-1080	Bracket - Height of Cut	35	16	1
70-7130	Tube Assy.	11	3	1	77-1080	HOC Adjustment - LH	57	13	1
70-7150	Hose - Hydraulic	12	48	1	80-9330	Audio Alarm Assembly	21	25	1
70-7470	Block - Mounting (Modified)	55	12	2	83-0010	Engine Assembly	26	15	1
70-8130	Barrel	7	1	1	83-0020	Ignition Switch Assembly	21	14	1
70-8230	Bushing - Seal, Gland	18	3	1	83-0030	Control - Throttle	21	12	1
70-8250	Drive	18	16	1	83-0040	Control - Choke	21	13	1
70-8300	Seal Kit	18	*	1	83-0060	Lift - Pivot	1	26	1
70-8610	Hose - Hydraulic	12	51	1	83-0080	Spring - Torsion	1	25	1
70-8631	Cap - Fuel	24	1	1	83-0090	Frame - Pull L.H.	3	24	1
70-8640	Cap - Hydraulic Reservoir	23	8	1	83-0140	Pedal - Mow	2	38	1
70-9800	Reel Motor Assembly	31	8	3	83-0160	Shaft - Brake	2	48	1
70-9840	Shoe - Brake	8	8	4	83-0180	Shaft - Cutting Control	2	36	1
70-9850	Clip - Retaining	8	23	2	83-0190	Cover - R.H.	8	18	1
70-9860	Cam - Brake	8	27	2	83-0200	Cover - L.H.	1	17	1
70-9870	Plate - Backing	8	10	2	83-0210	Frame - Pull R.H.	4	1	1
70-9880	Spring - Return	8	7	4	83-0210	Frame - Pull Rear	6	1	1
70-9940	Hose Assembly - Pressure	39	3	1	83-0220	Frame Assembly	20	18	1
70-9940	Hose Assembly - Pressure	40	3	1	83-0540	Pedal - Traction	10	24	1
70-9950	Hose Assembly - Return	38	10	1	83-0580	Rod - Traction Control	10	32	1
70-9950	Hose Assembly - Return	39	2	1	83-0590	Traction Handle Assembly	10	12	1
70-9950	Hose Assembly - Return	40	2	1	83-0630	Arm - Traction Pivot	10	29	1
70-9960	Hose Assembly - Pressure	38	1	1	83-0640	Plate - Footrest	1	12	1
71-0990	Orifice	11	43	1	83-0650	Arm - Steering	17	3	1
71-1500	Brake Assembly	8	*	2	83-0700	Handle - Lockup	17	18	1
71-1510	Arm - Brake	8	24	2	83-0730	Spacer - Lockup	17	15	1
71-1550	Wihle Roller Assembly	37	5	1	83-0740	Disc - Friction	17	14	2
71-3620	Decal - Engine RPM	26	13	1	83-0750	Screw - Cap Hex. Hd. L.H.	17	6	1
72-3850	Seal - Filter	20	28	1	83-0760	Plate - Lockup	17	16	1
72-4320	Switch - Ball	19	18	1	83-0780	Support - Steering Valve	17	4	1
72-4380	Seal Kit	32	*	1	83-0810	Cover - Steering Valve	17	25	1
72-4390	Repair Kit	32	*		83-0820	Gauge - Ammeter	21	4	1
72-4790	Hold-Down - Battery	20	16	1	83-0830	Panel - Control Upper	20	33	1
74-0720	Tube - Manual	19	3	1	83-0840	Fender - L.H.	20	19	1

*Not Illustrated

PART NUMBER INDEX (Continued)

Part No.	Description	Pg. No.	Ref. No.	Qty.	Part No.	Description	Pg. No.	Ref. No.	Qty.
83-0850	Plate - Control Panel	21	2	1	83-1940	Guard - Pump	27	30	1
83-0860	Reservoir - Hydraulic	23	5	1	83-2030	Plate - Filler	21	3	1
83-0870	Fitting - Hydraulic Straight	23	32	3	83-2040	Hose - Fuel	24	14	1
83-0910	Hose - Hydraulic	23	30	2	83-2041	Hose - Fuel	24	11	1
83-0910	Hose - Pump	27	11	2	83-2050	Decal - Steering Arm	17	32	1
83-0920	Tank - Fuel	24	2	1	83-2070	Hose - Valve	23	14	1
83-0930	Fork - Castor	29	19	1	83-2080	Hose - Valve-Tank	23	29	1
83-1020	Plate - Engine Mount	26	28	1	83-2090	Hose - Overflow	23	15	1
83-1030	Mount - Engine	26	4	3	83-2100	Tank - Auxiliary Hydraulic	23	26	1
83-1040	Washer - Mount	26	2	3	83-2200	Nut - Special	24	8	1
83-1050	Spacer - Mount	26	3	2	83-2220	Deflector - Exhaust	26	20	1
83-1060	Adapter - Pump	26	10	1	83-2230	Screw - Cap Hex. Hd.	26	22	4
83-1080	Pipe - Exhaust	26	7	1	83-2250	Guage - Sight	23	25	1
83-1100	Harness - Wire (Main)	21	8	1	83-2260	Decal - Traction Control	52	3	1
83-1100	Harness - Wire (Main)	22	1	1	83-2270	Hose - Hyd. (Pressure)	52	15	1
83-1110	Harness - Wire (Engine)	22	2	1	83-2280	Timer - Relay	21	27	1
83-1140	Wire - Solenoid-Battery	22	4	1	83-2310	Shield	26	35	1
83-1150	Wire - Engine Ground	22	5	1	83-2330	Hydraulic Cylinder Assy.	29	33	1
83-1160	Wire - Soleniod-Starter	22	3	1	83-2340	Cap - Threaded	30	2	2
83-1170	Hose - Hydraulic	11	22	1	83-2350	Cap - Head, Thread	30	5	2
83-1170	Hose - Hydraulic	27	28	1	83-2360	Assembly - Rod	30	9	1
83-1180	Hose - Hydraulic	11	6	1	83-2370	Assembly - Barrel	30	12	1
83-1180	Hose - Hydraulic	27	8	1	83-2380	Kit - Seal Repair	30	*	1
83-1190	Hose - Hydraulic	11	10	2	83-2390	Pad - Tank	23	2	1
83-1190	Hose - Hydraulic	27	1	2	83-2400	Spacer - Tank	23	1	2
83-1200	Tube Assy.	11	5	1	83-2450	Hose - Hydraulic	11	1	1
83-1210	Hose - Hydraulic	4	39	1	83-2450	Hose - Hydraulic (Top)	8	34	1
83-1220	Plate - Clamp	8	21	1	83-2460	Hose - Hydraulic	11	4	1
83-1230	Muffler	26	19	1	83-2460	Hose - Hydraulic (Bottom)	8	*	1
83-1240	Decal - Greensmaster 3100	2	46	1	83-2580	Cylinder - Lift	3	6	1
83-1270	Seat Support Assembly	19	7	1	83-2580	Hydraulic Cylinder Assy.	4	22	1
83-1320	Filter - Fuel	24	13	1	83-2590	Bolt - Shoulder	2	47	1
83-1350	Hose - Hydraulic	12	45	1	83-3880	Hose - Hydraulic	11	18	1
83-1350	Hose - Hydraulic	17	26	2	83-7230	Hydraulic Cylinder Assembly	6	10	1
83-1350	Hose - Hydraulic	27	7	1	83-7240	Seal Kit	5	*	1
83-1350	Hose - Hydraulic	29	28	1	83-7250	Repair Kit	7	*	1
83-1360	Hose - Hydraulic	17	27	1	84-2000	Bracket - Brake	8	12	2
83-1360	Hose - Hydraulic	29	30	1	84-2201	Control Valve Assembly	11	16	1
83-1370	Hose - Hydraulic	17	28	1	84-2201	Control Valve Assembly	16	*	1
83-1390	Fiting - Fuel Shut-Off	24	15	1	84-7880	Fitting - Crows Foot	11	17	1
83-1400	Shield - Muffler	26	16	1	84-8260	Hose - Hydraulic	6	15	1
83-1420	Column - Steering	17	23	1	84-8260	Hose - Hydraulic	11	20	1
83-1430	Hose - Hydraulic	20	23	1	217-60	Rim	8	3	2
83-1430	Hose - Hydraulic	23	34	1	217-60	Rim	29	10	1
83-1450	Sensor - Oil Level	23	3	1	217-74	Wheel Bolt	33	28	2
83-1460	Solenoid Valve Assembly	23	28	1	218-461	Nut - Hex.	19	25	2
83-1470	Washer - Neoprene	23	18	4	218-461	Nut - Hex.	21	16	1
83-1510	Plug - Filler Cap	23	7	1	218-594	Fuse - 20 Amp	21	7	1
83-1520	Screen - Filler	23	6	1	2112-11	Clamp - Muffler	26	14	1
83-1530	Bracket - Alarm	21	23	1	232-24	Stem - Valve	8	1	2
83-1550	Spacer - Tank (Short)	23	17	2	232-24	Valve Stem w/Cap	29	18	1
83-1560	Spacer - Tank (Long)	23	23	2	233-28	Knob	42	8	6
83-1630	Bracket - Muffler Support	26	24	1	233-48	Knob	10	11	1
83-1640	Rod End Assembly	29	6	1	233-48	Knob	17	17	1
83-1660	Switch Assembly	21	6	1	237-7	Seal - O-Ring	19	24	1
83-1670	Fitting - Special	11	27	1	237-21	O-Ring	44	10	2
83-1680	Hose - Hydraulic	6	13	1	237-21	Seal - O-Ring	11	19	9
83-1680	Hose - Hydraulic	11	30	1	237-21	Seal - O-Ring	17	29	4
83-1690	Hose - Hydraulic	3	40	1	237-21	Seal - O-Ring	27	6	1
83-1690	Hose - Hydraulic	11	21	1	237-21	Seal - O-Ring	29	31	2
83-1700	Bushing - Flange	8	33	2	237-22	O-Ring	39	11	1
83-1700	Bushing - Flange	17	35	1	237-22	O-Ring	40	9	1
83-1780	Decal - Service	19	34	1	237-22	O-Ring	49	10	1
83-1790	Decal - Warning	17	5	1	237-22	Seal - O-Ring	11	11	6
83-1830	Cover - R.H.	20	2	1	237-22	Seal - O-Ring	27	2	3
83-1840	Cover - R.H.	19	32	1	237-22	Seal - O-Ring	31	11	5
83-1850	Decal - Traction	20	38	1	237-30	Seal - O-Ring	11	7	2
83-1860	Centering Spring Kit	18	12	1	237-30	Seal - O-Ring	19	19	1
83-1870	Gerotor	18	17	1	237-30	Seal - O-Ring	27	27	1
83-1880	Control Parts Assembly	18	*	1	237-30	Seal - O-Ring	31	3	5
83-1890	Switch - Ball	14	54	1	237-30	Seal - O-Ring	52	8	5
83-1890	Switch - Ball	16	60	1	237-35	Seal - O-Ring	6	11	2
83-1900	Plate - Spacer	18	15	1	237-42	O-Ring	38	2	6

*Not Illustrated

PART NUMBER INDEX (Continued)

Part No.	Description	Pg. No.	Ref. No.	Qty.	Part No.	Description	Pg. No.	Ref. No.	Qty.
237-42	O-Ring	39	1	6	251-327	Bearing - Roller	56	8	1
237-42	O-Ring	40	1	6	251-328	Bearing	55	21	2
237-42	Seal - O-Ring	11	15	6	252-110	Bearing - Needle	56	4	1
237-42	Seal - O-Ring	17	31	4	253-61	Seal	33	22	1
237-42	Seal - O-Ring	27	4	4	253-61	Seal	35	24	1
237-42	Seal - O-Ring	31	9	3	253-96	Oil Seal	33	43	2
237-54	O-Ring	13	6	8	253-96	Seal	35	26	2
237-54	O-Ring	15	3	6	253-96	Seal	57	19	2
237-54	O-Ring	50	6	2	253-111	Seal - Shaft	29	12	2
237-54	Seal - O-Ring	52	14	2	253-130	Seal	49	14	1
237-58	Seal - O-Ring	11	34	1	253-131	Seal	49	1	1
237-65	Seal - O-Ring	8	15	2	254-61	Cup - Bearing	29	3	2
237-65	Seal - O-Ring	11	2	6	254-70	Cone - Bearing	29	4	2
237-78	Seal - O-Ring	3	38	2	254-72	Cup - Bearing	33	25	2
237-78	Seal - O-Ring	4	38	2	254-72	Cup - Bearing	35	3	2
237-78	Seal - O-Ring	6	14	2	254-72	Cup - Bearing	57	2	2
237-78	Seal - O-Ring	29	32	2	254-78	Cone - Bearing	29	13	2
237-79	Seal - O-Ring	11	9	5	254-79	Cup - Bearing	29	14	2
237-79	Seal - O-Ring	23	11	5	254-94	Cone - Bearing	33	24	2
237-79	Seal - O-Ring	31	7	3	254-94	Cone - Bearing	35	2	2
237-80	Seal - O-Ring	8	13	2	254-94	Cone - Bearing	57	1	2
237-80	Seal - O-Ring	11	32	3	256-2	Bushing - Sleeve	10	20	2
237-80	Seal - O-Ring	23	4	1	256-27	Bushing	49	18	1
237-80	Seal - O-Ring	27	25	1	256-32	Bushing - Sleeve	1	33	2
237-80	Seal - O-Ring	52	6	3	256-115	Washer - Thrust	49	3	2
237-81	Seal - O-Ring	11	38	1	256-116	Bushing	44	17	4
237-84	Grommet	35	14	2	256-117	Bushing	49	19	1
237-84	Grommet	57	12	2	256-155	Bushing - Flange	43	7	12
237-90	Grommet	48	1	2	256-219	Bushing - Flange	10	26	2
237-101	Seal - O-Ring	20	26	2	256-219	Bushing - Flange	19	28	2
237-123	Seal - O-Ring	23	24	1	256-239	Bearing	46	4	2
237-142	O-Ring	38	4	2	256-239	Bearing	45	4	2
237-142	O-Ring	39	5	2	256-243	Bushing	49	7	2
237-142	O-Ring	40	5	2	256-244	Bushing	49	25	1
237-143	Grommet	20	40	2	256-251	Bushing - Sleeve	10	10	2
237-156	O-Ring	41	28	2	256-300	Bushing - Flange	56	12	1
237-177	Seal - O-Ring	23	33	3	257-5	Washer - Steel	36	10	2
240-11	Grommet	23	37	3	257-5	Washer - Steel	58	10	1
240-11	Grommet	24	3	4	257-10	Washer	55	47	2
242-50	Nut - Lug	8	29	8	281-2	Plug - Pipe	48	37	1
242-50	Nut - Lug	29	8	4	282-2	Clevis - Adjusting	1	2	5
2410-18	Plug	60	2	1	282-2	Clevis - Rod	10	3	1
2410-34	Plug	49	22	1	283-8	Pin - Clevis	3	4	1
2410-68	Cover - Pin	55	8	2	283-8	Pin - Clevis	4	18	1
2410-73	Retainer - Tether	23	10	1	283-57	Pin - Clevis	10	8	1
2411-7	Ball Stud	33	36	2	283-61	Pin - Clevis	1	1	5
2411-7	Ball Stud	36	34	2	283-61	Pin - Clevis	10	4	1
2411-7	Ball Stud	47	23	2	284-3	Plug - Expansion	55	4	2
2411-7	Ball Stud	48	25	2	302-2	Fitting - Grease	4	23	1
2411-7	Stud - Ball	53	8	2	302-2	Fitting - Grease	6	17	1
2411-42	Joint - Ball L.H. Thread	10	30	1	302-2	Fitting - Grease Straight	3	34	1
2411-43	Joint - Ball R.H. Thread	10	33	1	302-5	Fitting - Grease	1	27	1
2412-34	Clamp - Hose	20	24	2	302-5	Fitting - Grease	4	29	4
2412-34	Clamp - Hose	23	31	3	302-5	Fitting - Grease	30	13	1
2412-34	Clamp - Hose	27	10	2	302-5	Fitting - Grease	33	11	3
2412-36	Clamp - Hose	24	16	2	302-5	Fitting - Grease	35	18	3
2412-41	Clamp - R	24	5	3	302-5	Fitting - Grease	37	2	2
2412-45	Hose Clamp	50	9	4	302-5	Fitting - Grease	44	13	2
2412-94	Clamp - R	24	10	1	302-5	Fitting - Grease	48	18	4
2412-106	Clamp - R	21	28	1	302-5	Fitting - Grease	54	19	1
2412-108	Clamp - Hose	24	12	4	302-5	Fitting - Grease	57	15	2
2412-129	Clamp - Hose	23	13	6	302-5	Fitting - Grease Straight	3	15	4
2412-133	Clamp - R	19	4	2	302-5	Fitting - Grease Straight	6	37	5
250-6	Tie - Cable	26	*	2	302-5	Fitting - Grease	47	27	4
251-77	Lock Collar	47	5	2	302-11	Fitting - Grease	29	2	1
251-141	Bearing - Ball	3	22	2	302-11	Fitting - Grease	55	43	1
251-141	Bearing - Ball	4	37	2	302-11	Fitting - Grease	57	20	1
251-141	Bearing - Ball	6	45	2	302-18	Fitting - Grease	36	16	1
251-206	Bearing	47	4	1	302-18	Fitting - Grease	42	9	6
251-247	Bearing Assembly	48	11	1	302-18	Fitting - Grease	58	16	1
251-247	Housing - Bearing	47	20	1	302-22	Fitting - Grease	44	9	2
251-327	Bearing	55	40	2	302-40	Fitting - Grease	35	27	1
251-327	Bearing - Ball	54	16	2	302-40	Fitting - Grease	33	27	1

*Not Illustrated

PART NUMBER INDEX (Continued)

Part No.	Description	Pg. No.	Ref. No.	Qty.	Part No.	Description	Pg. No.	Ref. No.	Qty.
302-55	Fitting - Grease	29	16	1	324-13	Screw - Cap, Hex. Hd.	47	21	2
302-60	Fitting - Grease 90°	3	8	2	324-25	Screw - Cap, Hex. Hd.	36	14	1
302-60	Fitting - Grease 90°	4	17	2	324-25	Screw - Cap, Hex. Hd.	58	14	1
302-60	Fitting - Grease 90°	6	32	1	325-4	Screw - Cap Hex. Hd.	17	19	2
304-61	Clamp - R	11	23	1	325-11	Screw - Cap Hex. Hd.	8	9	8
321-2	Screw - Cap Hex. Hd.	23	16	1	329-1	Screw - Cap, Hex. Hd.	47	12	4
321-2	Screw - Cap, Hex. Hd.	51	2	36	3211-2	Screw - Cap Hex. Hd.	10	19	2
321-3	Screw - Cap, Hex. Hd.	46	2	4	3211-3	Screw - Cap, Hex. Hd.	47	19	2
321-3	Screw - Cap Hex. Hd.	2	52	3	3217-5	Nut - Hex.	20	12	2
321-3	Screw - Cap Hex. Hd.	19	13	1	3217-5	Nut - Hex.	48	29	4
321-3	Screw - Cap Hex. Hd.	20	10	4	3217-5	Nut - Hex.	50	13	2
321-3	Screw - Cap, Hex. Hd.	42	7	6	3217-6	Nut - Hex.	42	14	6
321-3	Screw - Cap, Hex. Hd.	45	2	8	3217-6	Nut - Lock	28	1	4
321-4	Screw - Cap Hex. Hd.	8	31	1	3217-7	Nut - Hex	13	33	3
321-4	Screw - Cap Hex. Hd.	21	21	1	3217-7	Nut - Hex.	47	16	2
321-4	Screw - Cap Hex. Hd.	26	27	4	3217-8	Nut - Hex.	47	29	2
321-4	Screw - Cap, Hex Hd.	36	37	2	3217-8	Nut - Hex.	48	33	2
321-4	Screw - Cap, Hex. Hd.	34	58	2	3217-9	Nut - Lock	33	17	2
321-4	Screw - Cap, Hex. Hd.	48	26	4	3217-12	Nut - Lock	29	26	1
321-4	Screw - Cap, Hex. Hd.	53	12	2	3218-2	Nut - Jam	43	12	6
321-4	Screw - Hex. Flange Hd.	1	16	2	3218-2	Nut - Jam	44	5	2
321-5	Screw - Cap Hex. Hd.	8	26	8	3218-13	Nut - Jam	20	8	2
321-5	Screw - Cap, Hex Hd.	35	35	2	3218-17	Nut - Nut	48	10	1
321-5	Screw - Cap, Hex. Hd.	33	6	2	3219-1	Nut - Hex	33	39	4
321-5	Screw - Cap, Hex. Hd.	57	24	2	3219-1	Nut - Hex	36	38	4
321-10	Screw - Cap, Hex. Hd.	50	12	2	3219-2	Nut - Hex.	60	6	1
321-11	Screw - Cap Hex. Hd.	2	43	1	3219-4	Nut	57		1
321-11	Screw - Cap Hex. Hd.	23	40	2	3219-14	Nut - Hex	34	*	1
321-11	Screw - Hex. Washer Hd.	8	17	1	3219-14	Nut - Hex	35	*	1
321-33	Screw - Cap Hex Hd.	52	22	2	3219-14	Nut - Hex.	20	7	2
322-1	Screw - Cap Hex. Hd.	3	1	3	3219-14	Nut - Hex.	21	10	6
322-1	Screw - Cap Hex. Hd.	4	21	3	3219-18	Nut - Hex.	59	2	1
322-1	Screw - Cap Hex. Hd.	6	30	2	3220-2	Nut - Jam	1	3	5
322-1	Screw - Cap Hex. Hd.	27	31	2	3220-2	Nut - Jam	10	2	2
322-2	Screw - Cap Hex. Hd.	19	1	2	3220-3	Nut - Jam	3	23	2
322-2	Screw - Cap, Hex. Hd.	44	1	2	3220-3	Nut - Jam	4	2	2
322-2	Screw - Cap, Hex. Hd.	53	15	4	3220-3	Nut - Jam	6	2	2
322-3	Screw - Cap Hex. Hd.	6	25	1	3220-6	Nut - Hex ,Jam	36	2	2
322-3	Screw - Cap Hex. Hd.	26	32	6	3220-6	Nut - Hex. Jam	58	2	2
322-3	Screw - Cap, Hex. Hd.	44	21	2	3220-6	Nut - Jam	5	14	1
322-3	Screw - Cap, Hex. Hd.	48	22	1	3220-6	Nut - Jam	29	21	2
322-3	Screw - Cap, Hex. Hd.	53	6	2	3220-6	Nut - Lock	43	19	6
322-4	Screw - Cap Hex. Hd.	20	36	4	3220-18	Nut - Jam	47	30	2
322-4	Screw - Cap Hex. Hd.	27	32	2	3220-20	Nut - Jam L.H. Thread	10	31	1
322-5	Screw - Cap Hex. Hd.	10	36	2	3229-22	Bolt - Carriage	1	10	2
322-5	Screw - Cap, Hex Hd.	36	43	2	3230-5	Bolt - Carriage	53	1	2
322-5	Screw - Cap, Hex. Hd.	34	52	2	3230-23	Bolt - Carriage	42	2	6
322-5	Screw - Cap, Hex. Hd.	49	12	4	3233-26	Bolt - Carriage	34	46	2
322-6	Screw - Cap Hex. Hd.	27	18	4	3234-1	Screw - Hex. Flange Hd.	10	6	4
322-7	Screw - Cap Hex. Hd.	26	21	2	3241-2	Screw - Set Square Hd.	27	19	2
322-9	Screw - Cap, Hex Hd.	43	18	6	3241-6	Screw - Set Square Hd.	27	13	2
322-14	Screw - Cap Hex. Hd.	11	39	3	3243-13	Screw - Set, Sq. Hd.	33	13	4
322-14	Screw - Cap Hex. Hd.	23	20	2	3245-1	Screw - Set	44	11	2
322-23	Screw - Cap, Hex. Hd.	44	16	2	3245-1	Screw - Set, Hex. Soc. Hd.	30	1	2
322-29	Screw - Cap Hex. Hd.	23	22	2	3245-7	Screw - Set	42	4	6
323-2	Screw - Mach. Hex Hd.	33	20	1	3246-2	Screw - Set	35	20	2
323-2	Screw - Machine, Hex Hd.	35	22	1	3246-2	Screw - Set	57	17	2
323-4	Screw - Cap Hex. Hd.	17	7	2	3246-3	Screw - Set	17	12	1
323-6	Screw - Cap Hex. Hd.	23	35	3	3249-3	Screw - Round Hd.	36	32	11
323-6	Screw - Cap Hex. Hd.	24	6	3	3249-3	Screw - Round Head	34	50	11
323-6	Screw - Cap, Hex. Hd.	47	37	2	3253-3	Washer - Lock	2	44	1
323-7	Screw - Cap, Hex Hd.	35	9	2	3253-3	Washer - Lock	16	57	4
323-7	Screw - Cap, Hex Hd.	43	3	6	3253-3	Washer - Lock	23	39	2
323-7	Screw - Cap, Hex. Hd.	57	8	2	3253-3	Washer - Lock	26	26	4
323-8	Screw - Cap Hex. Hd.	27	24	2	3253-3	Washer - Lock	33	30	2
323-11	Screw - Cap, Hex. Hd.	48	20	2	3253-3	Washer - Lock	36	36	2
323-12	Screw - Cap Hex. Hd.	26	1	3	3253-3	Washer - Lock	42	6	6
323-13	Screw - Cap Hex. Hd.	1	5	4	3253-3	Washer - Lock	48	28	4
323-15	Screw - Cap, Hex. Hd.	48	19	1	3253-3	Washer - Lock	53	11	2
324-6	Screw - Cap Hex. Hd.	26	30	4	3253-4	Washer - Lock	6	46	1
324-6	Screw - Cap, Hex. Hd.	47	9	2	3253-4	Washer - Lock	19	2	2
324-6	Screw - Cap, Hex. Hd.	48	24	2	3253-4	Washer - Lock	20	9	2

*Not Illustrated

PART NUMBER INDEX (Continued)

Part No.	Description	Pg. Ref.		Qty.	Part No.	Description	Pg. Ref.		Qty.
		No.	No.				No.	No.	
3253-4	Washer - Lock	42	13	6	3256-26	Washer - Flat	6	20	1
3253-4	Washer - Lock	49	11	4	3256-26	Washer - Flat	17	34	2
3253-4	Washer - Lock	53	14	4	3256-28	Washer - Flat	29	27	1
3253-4	Washer - Lock	55	29	2	3256-63	Washer - Flat	24	7	1
3253-4	Washer - Lock	55	38	1	3256-74	Washer - Flat	55	3	1
3253-6	Washer - Lock	26	29	4	3256-80	Washer - Flat	17	2	3
3253-7	Washer - Lock	33	16	2	3257-42	Key - Woodruff	8	11	2
3253-12	Washer - Lock	55	27	3	3257-42	Key - Woodruff	9	17	1
3253-21	Washer - Lock	3	35	2	3272-4	Pin - Cotter	10	13	1
3253-21	Washer - Lock	4	27	2	3272-6	Pin - Cotter	1	30	5
3253-21	Washer - Lock	6	35	2	3272-6	Pin - Cotter	10	41	1
3253-21	Washer - Lock	27	23	2	3272-11	Pin - Cotter	3	5	2
3254-1	Washer - Lock	20	6	2	3272-11	Pin - Cotter	4	13	2
3254-2	Washer - Lock	44	20	2	3272-11	Pin - Cotter	6	19	1
3254-5	Washer - Lock	21	15	1	3272-11	Pin - Cotter	19	9	1
3254-6	Washer - I.T.L.W.	10	18	2	3272-37	Pin - Cotter	29	1	1
3254-6	Washer - Lock	33	35	2	3273-26	Screw - Hex. Socket Hd.	21	18	4
3254-6	Washer - Lock	35	13	2	3274-7	Screw - Socket Hd.	26	9	2
3254-6	Washer - Lock	36	35	2	3274-12	Screw - Hex. Socket Hd.	19	29	4
3254-6	Washer - Lock, Ext. Tooth	47	18	4	3274-13	Screw - Cap, Soc. Head	55	28	3
3254-6	Washer - Lock, Int. Tooth	48	27	4	3274-15	Screw - Fillister Hd.	13	43	2
3254-6	Washer - Lock, Int. Tooth	53	9	2	3274-22	Screw - Cap, Hex. Soc.	55	37	1
3254-8	Washer - Lock	33	38	4	3274-31	Screw - Hex. Socket Hd.	1	15	4
3254-8	Washer - Lock	36	39	4	3274-39	Screw - Cap Hex. Hd.	17	21	6
3255-7	Washer - Lock	21	29	1	3274-42	Screw - Set Hex Socket	52	4	1
3255-7	Washer - Lock, Ext. Tooth	47	11	4	3274-52	Screw - Hex, Socket Hd.	13	20	4
3255-8	Washer - Lock	34	53	2	3274-52	Screw - Hex. Socket Hd.	15	45	6
3255-8	Washer - Lock	36	42	2	3274-63	Screw - Hex. Socket Hd.	17	33	2
3255-8	Washer - Lock, Int. Tooth	60	9	1	3274-64	Screw - Hex. Socket Hd.	20	4	3
3255-9	Washer - Lock	33	44	4	3274-69	Screw - Hex. Socket Hd.	21	1	8
3255-9	Washer - Lock	35	30	4	3274-70	Screw - Hex, Socket Hd.	13	1	2
3255-9	Washer - Lock	47	36	2	3274-80	Screw - Cap Hex. Hd.	17	1	3
3255-16	Washer - Lock	48	32	2	3274-84	Screw - Cap, Hex. Hd.	16	58	4
3255-16	Washer - Lock, Ext. Tooth	47	8	2	3274-86	Screw - Cap, Soc. Hd.	55	46	2
3256-1	Washer - Flat	21	20	8	3284-3	Pin - Groove	19	15	1
3256-1	Washer - Flat	26	18	8	3289-19	Screw - Flat Hd. Socket	55	26	2
3256-2	Washer - Flat	42	5	6	3289-20	Screw - Flat Hd.	8	16	2
3256-2	Washer - Flat	51	6	24	3289-21	Screw - Hex. Soc. Fl. Hd.	54	15	3
3256-3	Washer - Flat	47	24	4	3290-125	Screw - Set	33	15	2
3256-4	Washer - Flat	48	13	2	3290-125	Screw - Set	43	11	12
3256-22	Washer - Flat	2	51	10	3290-238	Washer - Lock	44	2	2
3256-22	Washer - Flat	8	30	2	3290-271	Rivet - Pop	55	13	2
3256-22	Washer - Flat	20	3	5	3290-277	Nut - Tinnerman	17	22	6
3256-22	Washer - Flat	34	47	4	3290-317	Washer - Wave	3	18	2
3256-22	Washer - Flat	35	41	4	3290-317	Washer - Wave	4	32	2
3256-22	Washer - Flat	47	10	4	3290-317	Washer - Wave	6	40	2
3256-22	Washer - Flat	57	29	4	3290-334	Washer - Lock, Pyramidal	47	28	2
3256-23	Washer - Flat	3	2	3	3290-357	Nut - Flange Lock	26	8	3
3256-23	Washer - Flat	4	20	3	3290-357	Nut - Lock	1	20	1
3256-23	Washer - Flat	6	28	2	3290-378	Tie - Cable	26	*	2
3256-23	Washer - Flat	19	30	4	3290-378	Tie - Cable	52	*	3
3256-23	Washer - Flat	20	35	4	3290-470	Screw - Flat Hd.	20	22	2
3256-23	Washer - Flat	23	19	4	3290-480	Washer - Belleville	56	9	2
3256-23	Washer - Flat	26	23	2	3295-46	Rivet	35	33	13
3256-23	Washer - Flat	27	17	8	3295-46	Rivet	57	23	13
3256-23	Washer - Flat	33	32	2	3296-4	Nut - Lock	10	22	2
3256-23	Washer - Flat	36	26	2	3296-4	Nut - Lock	54	21	3
3256-23	Washer - Flat	44	15	2	3296-9	Nut - Lock	34	48	11
3256-24	Washer - Flat	2	35	5	3296-9	Nut - Lock	36	28	11
3256-24	Washer - Flat	3	36	2	3296-23	Nut - Lock	8	19	8
3256-24	Washer - Flat	4	26	2	3296-27	Nut - Lock	21	11	4
3256-24	Washer - Flat	6	34	2	3296-29	Nut - Lock	6	29	1
3256-24	Washer - Flat	10	14	6	3296-29	Nut - Lock	10	16	2
3256-24	Washer - Flat	35	6	4	3296-29	Nut - Lock	19	8	4
3256-24	Washer - Flat	43	5	12	3296-29	Nut - Lock	27	14	4
3256-24	Washer - Flat	47	35	2	3296-29	Nut - Lock	33	31	2
3256-24	Washer - Flat	56	15	1	3296-29	Nut - Lock	36	27	2
3256-24	Washer - Flat	57	5	4	3296-29	Nut - Lock	44	6	2
3256-24	Washer - Flat (LH Side)	55	17	1	3296-39	Nut - Lock	33	18	2
3256-25	Washer - Flat	36	15	1	3296-39	Nut - Lock	35	5	6
3256-25	Washer - Flat	58	15	1	3296-39	Nut - Lock	43	6	12
3256-26	Washer - Flat	3	31	1	3296-39	Nut - Lock	48	12	3
3256-26	Washer - Flat	4	12	1	3296-39	Nut - Lock	56	16	1

*Not Illustrated

PART NUMBER INDEX (Continued)

Part No.	Description	Pg. No.	Ref. No.	Qty.	Part No.	Description	Pg. No.	Ref. No.	Qty.
3296-39	Nut - Lock	57	4	4	32152-4	Nut - Lock	46	3	4
3296-42	Nut - Lock	1	21	2	32152-4	Nut - Lock	45	3	4
3296-42	Nut - Lock	8	25	8	32152-10	Nut - Hex.	7	2	1
3296-42	Nut - Lock	12	49	1	32152-10	Nut - Lock	5	2	1
3296-42	Nut - Lock	19	11	1	32153-4	Nut - Lock	51	3	36
3296-42	Nut - Lock	20	34	3	32153-7	Nut - Lock	43	10	6
3296-42	Nut - Lock	21	24	8	340-1	Fitting - Hydraulic Straight	12	55	1
3296-42	Nut - Lock	33	29	2	340-1	Fitting - Hydraulic Straight	17	30	4
3296-42	Nut - Lock	35	31	2	340-6	Fitting - Straight	52	17	1
3296-42	Nut - Lock	57	22	2	340-14	Fitting - Hydraulic 45°	8	14	4
3296-44	Nut - Lock	44	14	2	340-16	Fitting - Hydraulic 90°	11	33	1
3296-47	Nut - Lock	48	15	1	340-18	Fitting - Hydraulic 90°	11	13	1
3296-47	Nut - Lock	53	2	4	340-77	Fitting - Hydraulic 90°	11	14	2
3296-49	Nut - Lock	55	16	2	340-77	Fitting - Hydraulic 90°	31	10	2
3296-56	Nut - Lock	52	23	2	340-82	Fitting - Hydraulic 90°	27	5	1
3296-59	Nut - Lock	1	34	4	340-83	Fitting - Hydraulic 90°	11	44	1
3296-59	Nut - Lock	10	15	4	340-87	Fitting - Hydraulic 45°	27	3	3
3296-60	Nut - Lock	35	25	1	340-87	Fitting - Hydraulic 45°	31	15	1
3296-60	Nut - Lock	54	8	2	340-87	Fitting - Hydraulic 45°	31	15	1
3296-60	Nut - Lock	57	18	1	340-98	Fitting - Hydraulic 90°	31	14	2
3296-60	Stop Nut	33	23	1	340-101	Fitting - Hydraulic 45°	11	8	1
3296-62	Nut	54	20	1	340-101	Fitting - Hydraulic 45°	31	6	1
3296-67	Nut - Lock	29	25	1	340-103	Fitting - Hydraulic 45°	6	12	2
32103-12	Nut - Wing	20	14	2	340-104	Tee - Swivel Run	52	19	1
32104-76	Screw - Self Tapping	20	1	5	340-105	Elbow - 90° Adjustable	52	7	2
32108-20	Screw - Flat Head	34	54	2	340-105	Fitting - Hydraulic 90°	27	26	1
32108-20	Screw - Mach. Flat Hd.	53	3	2	340-110	Fitting - Hydraulic 90°	12	53	1
32108-20	Screw - Machine, Flat Hd.	36	40	2	340-132	Fitting - Hydraulic 90°	29	29	2
32110-13	Screw - Set	56	13	2	340-138	Fitting - Hydraulic 45°	11	12	2
32120-3	Ring - Snap	43	13	6	352-284	Bearing	49	5	1
32120-8	Ring - Retaining	5	10	1	353-301	Poppet	13	27	1
32120-18	Ring - Retaining	55	42	1	353-302	O-Ring	13	10	3
32120-76	Ring - Snap	52	5	2	353-302	O-Ring	15	7	3
32120-77	Ring - Retaining	47	7	1	353-302	O-Ring	50	1	2
32121-4	Pin - Roll Slotted	52	21	2	353-303	Backup Seal	50	2	4
32121-6	Pin - Roll	2	41	1	353-303	Ring - Backup	13	9	6
32121-6	Pin - Roll	10	39	1	353-303	Ring - Backup	15	8	6
32121-15	Pin - Roll	55	9	2	353-304	Spring	13	28	1
32121-16	Pin - Roll	48	31	4	353-305	O-Ring	13	8	4
32121-35	Pin - Roll	1	32	8	353-305	O-Ring	15	5	5
32121-45	Pin - Roll	10	28	2	353-305	O-Ring	50	4	2
32121-45	Pin - Roll	19	14	1	353-306	Ring - Backup	13	7	4
32122-2	Screw - Truss Hd.	35	*	1	353-306	Ring - Backup	15	4	5
32122-2	Screw - Truss Head	57	*	1	353-306	Washer - Backup	50	5	2
32122-22	Screw - Truss Head	34	*	1	353-328	Washer - Shim	13	15	A/R
32122-35	Screw - Truss Hd.	60	8	1	353-328	Washer - Shim	15	32	A/R
32128-14	Nut - Flange Lock	1	18	2	353-329	Washer - Shim	13	16	A/R
32128-14	Nut - Lock	8	32	1	353-329	Washer - Shim	15	33	A/R
32128-20	Nut - Flange Lock	10	27	1	353-330	Washer - Shim	13	17	A/R
32128-20	Nut - Flange Lock	11	24	3	353-330	Washer - Shim	15	34	A/R
32128-20	Nut - Flange Lock	26	31	8	353-331	O-Ring	13	29	1
32128-20	Nut - Flange Lock	27	29	2	353-334	Cap - Relief	13	19	2
32128-20	Nut - Lock, Flange	60	3	1	353-334	Cap - Relief	15	36	2
32128-25	Nut - Hex. Flange	53	7	2	353-374	Fitting - 90° Adjustable El.	38	7	1
32128-36	Nut - Flange	54	1	2	353-374	Fitting - 90° Adjustable El.	39	9	1
32128-36	Nut - Lock, Flange	35	40	2	353-374	Fitting - 90° Adjustable El.	40	7	2
32128-36	Nut - Nut, Flange	34	57	2	353-384	Fitting - Straight	39	8	1
32136-9	Nut - Hex. Slotted	29	34	1	353-392	Seal - Relief Poppet PTFE	13	13	2
32141-111	Nut Flange Lock	1	11	1	353-392	Seal - Relief Poppet PTFE	15	30	2
32144-4	Screw - Hex. Washer Hd.	26	17	4	353-398	Spring	15	35	1
32144-21	Screw - Round Hd.	17	8	2	353-417	Collar Spring	13	40	2
32144-73	Screw - Round Hd.	33	5	5	353-417	Collar Spring	15	20	2
32144-73	Screw - Self Tapping	35	36	5	353-481	Plug - Load Check	13	5	3
32144-73	Screw - Self Tapping	57	25	5	353-481	Plug - Load Check	15	2	3
32148-6	Insert - Threaded	1	19	8	353-484	Check	50	3	2
32149-2	Nut - Keps	20	37	2	353-503	Shutoff Valve Set	50	7	1
32149-7	Nut - Keps	20	41	2	353-529	Plate Seal	15	22	1
32151-29	Ring - Retaining	49	6	1	353-530	Spring	13	41	1
32151-35	Ring - Retaining	49	21	1	353-530	Spring	15	23	1
32151-41	Ring - Retaining	32	9	1	353-531	Poppet Assembly	15	31	2
32151-44	Ring - Retaining	48	5	1	353-531	Poppet Assy.	13	14	2
32152-2	Nut - Lock	54	12	2					
32152-2	Nut - Lock	55	45	2					

*Not Illustrated

PART NUMBER INDEX (Continued)

Part No.	Description	Pg. Ref. No. No. Qty.	Part No.	Description	Pg. Ref. No. No. Qty.
353-550	Plug - Hydraulic	23 38 1	353-853	Bolt - Hex Hd.	15 10 3
353-550	Plug Assembly	15 13 1	353-854	Boot - Spool Assembly	14 * 2
353-559	Retainer - Boot	13 22 2	353-854	Boot - Spool Assembly	16 * 3
353-559	Retainer - Boot	15 47 3	353-855	Spring	13 18 2
353-560	Washer - Breather	13 23 2	353-855	Spring	15 44 1
353-560	Washer - Breather	16 48 3	353-884	Key - Woodruff	28 19 4
353-563	Fitting - Hydraulic Straight	20 25 1	353-886	Ring - Retaining	28 18 2
353-564	Fitting - Hydraulic 90°	20 31 1	353-891	Body	41 27 1
353-575	Boot - Dust Cap	13 21 2	353-892	Screw- 12 Pt.	41 1 4
353-575	Boot - Dust Cap	15 46 3	353-893	Pin - Drive	41 24 1
353-579	Spring	13 45 1	353-894	Pin - Dowel	41 26 2
353-586	Bearing - Needle	32 13 4	353-895	Cover	41 7 1
353-588	Cover - Motor	32 3 1	353-897	Washer-Seal	41 11 1
353-591	Block - Anti-Extrusion	32 8 1	353-899	Cup - Seal	41 13 1
353-592	Drive Shaft Assembly	32 16 1	353-900	Flange - Mounting	41 17 1
353-593	Idler Gear Assembly	32 7 1	353-904	Shaft	41 19 1
353-594	Seal Assembly	32 14 1	353-905	Screw	41 18 4
353-595	Plate - Wear	32 15 1	353-906	Spring	41 10 1
353-596	O-Ring	32 17 1	353-907	Ring - Retaining	41 6 3
353-597	Bridging - Insert	32 5 1	353-909	Element - Gerotor	41 25 1
353-598	Gasket - Insert	32 6 1	353-910	Bearing - Needle	41 8 2
353-599	Pin - Dowel	32 4 2	353-911	Plug	41 20 2
353-600	Washer	32 2 4	353-912	Spring - Conical	41 21 2
353-601	Screw - Hex Socket Hd.	32 1 4	353-913	Bearing & Seal Kit	41 * 1
353-642	Relief - RC Mod.	14 * 2	353-914	O-Ring	41 3 1
353-642	Relief - RC Mod. Assembly	16 * 1	353-922	Seal - Ring	28 23 10
353-664	Ball	41 22 2	353-923	Bearing Plate Assembly	28 26 2
353-668	Plate - Cap, Cover RH	15 11 1	353-933	Coupling	38 5 2
353-721	Plug	13 35 2	353-933	Coupling	39 6 2
353-727	Bonnet	13 2 1	353-933	Coupling	40 6 2
353-728	Sleeve	14 49 1	353-934	Coupling	38 3 2
353-729	Spud - Detent	13 3 1	353-934	Coupling	39 4 2
353-730	Spring	15 42 1	353-934	Coupling	40 4 2
353-731	Ball	15 43 1	353-952	Ring - Backup	13 32 1
353-732	Sleeve - Detent	14 52 1	353-953	Plug Assembly	16 54 1
353-733	Spacer - Bonnet	13 4 1	353-957	Seal - Lip	13 26 4
353-733	Spacer - Bonnet	15 19 2	353-957	Seal - Lip	15 15 6
353-758	Seal - O-Ring	13 31 1	353-958	Ring - Backup	13 25 4
353-760	Body Relief	13 30 1	353-958	Ring - Backup	15 16 6
353-763	Cap - Adjustment	13 44 1	353-959	Plate - Seal Retainer	13 24 4
353-765	Disc - Seal	16 52 1	353-959	Plate - Seal Retainer	15 18 6
353-766	Relief WH (2000) PSI Assy.	14 * 1	353-964	Gear - 66B	28 21 1
353-768	Section #1 Complete	14 * 1	353-967	Gear - 33B	28 24 6
353-770	Section #3 Assembly	16 * 1	353-969	Plate - Gear 33B	28 25 3
353-772	Left End Cover	13 34 1	353-971	Plate - Gear 66B	28 14 1
353-777	Body - Motor	32 12 1	354-1	Shaft - Drive	28 20 1
353-780	Bonnet - R. Detent	13 42 1	354-2	Body Assembly	28 15 1
353-780	Positioner - R. Detent (Out)	14 * 1	354-3	Bearing Plate Assembly	28 22 1
353-780	Spud - Detent Out	14 50 1	354-4	Bearing Plate Assembly	28 28 1
353-808	Collar - Spring	15 24 1	354-5	Adapter - Splined	28 27 1
353-829	Collar Spool	15 26 1	354-6	Plate - Gear 18B	28 30 1
353-830	O-Ring	15 25 1	354-7	Cover Assembly	28 31 1
353-831	Spring	15 21 1	354-8	Drive Shaft - Gear Assy.	28 29 1
353-833	Positioner Assembly	16 * 1	354-9	Idler Shaft - Gear Assy.	28 5 1
353-834	Section #5 Assembly	16 * 1	354-10	Idler Shaft - Gear Assy.	28 12 1
353-835	Seals - Section Set	14 * 1	354-11	Pin - Dowel	28 4 2
353-835	Seals - Section Set	16 * 1	354-12	Pin - Dowel	28 6 2
353-837	Section #2 Complete	14 * 1	354-13	Pin - Dowel	28 11 4
353-839	Positioner - DI (SPL) Assy.	14 * 1	354-14	Pin - Dowel	28 13 2
353-840	Position - DI (SP) Assy.	16 * 1	354-15	Seal - Shaft	28 17 1
353-841	Position - Spool Assembly	16 * 1	354-16	Washer - Lock	28 2 4
353-844	Plus Series	16 55 1	354-17	Stud - Threaded	28 3 4
353-845	Sleeve - Detent	15 41 1	354-25	Section #4 Assembly	16 * 1
353-846	Spud - DI (SPL)	15 40 1	354-26	Bonnet	15 27 2
353-847	Bonnet (SPL)	15 38 1	354-28	Screw - Hex, Socket Hd.	15 28 2
353-848	O-Ring	15 14 1	354-29	Plate - Thrust	14 48 1
353-849	Sleeve	15 39 1	354-35	Gasket	28 32 1
353-850	O-Ring	16 56 1	354-120	Fitting - Hydraulic 90°	23 27 3
353-850	O-Ring	41 2 1	354-121	Fitting - Hydraulic Straight	23 12 1
353-851	Body - Relief CP-RC Mod.	13 12 1	354-122	Spool #4	16 53 1
353-851	Body - Relief CP-RC Mod.	15 29 2			

*Not Illustrated

PRODUCT CHANGES

In an effort to make improvements available to TORO owners as quickly as possible, minor changes are incorporated into Toro's products from time to time that do not become immediately shown in the Parts Catalog. If such a change has been made in your unit, which is not reflected in your manual, see your TORO Distributor or his Authorized TORO Service Dealer for information and part numbers.

IDENTIFICATION AND ORDERING

MODEL AND SERIAL NUMBERS

The Greensmaster 3100 has two identification numbers; a model number and a serial number. The two numbers are stamped on a plate which is located on the main frame under the seat. In any correspondence concerning the Greensmaster 3100, supply model and serial numbers to assure that correct information and replacement parts are obtained.

To order replacement parts from an Authorized TORO Service Dealer, supply the following information:

1. Model and serial number of the Greensmaster 3100.
2. Part number, description, and the quantity of part(s) desired.

NOTE: Do not order by reference number if a parts catalog is being used; use the PART NUMBER.

TABLE OF CONTENTS

Description	Page	Description	Page
Control Pedal Assembly	1-2	Cutting Unit Model No. 04468 (8 Blade)	35
Pull Frame Assembly L.H.	3	Bedbar & Scraper Comb Assembly	
Pull Frame Assembly R.H.	4	(Cutting Unit's Model No. 04450 & 04468) ..	36
Hydraulic Cylinder Assembly No. 83-1250	5	Cutting Unit Roller Options	37
Pull Frame Assembly Rear	6	Backlapping Kit No. 63-4960 (Optional)	38-41
Hydraulic Cylinder Assembly No. 83-7230	7	Quick Height-Of-Cut Kit No. 29-5910	
Front Wheel & Brake Assembly	8	(Optional) (04405 and 04408)	42
Hydraulic Drive Motor Assembly No. 75-9990 ..	9	Quick Height-Of-Cut Single Point Adjust	
Traction Controls Assembly	10	Kit Model No. 04451 (Optional)	43
Control Valve Installation Assembly	11-12	Variable Quick Height-Of-Cut	
Control Valve Assembly No. 84-2201		Kit No. 24-9400 (04405 & 04408)	
(Sections 1 & 2)	13-14	(Optional)	44
Control Valve Assembly No. 84-2201		Roller Scraper Kit	
(Sections 3 thru 5)	15-16	No. 42-4820 (04405 & 04408) (Optional) ...	45
Steering Arm Assembly	17	Roller Scraper Kit	
Power Steering Valve Assembly No. 58-3952 .	18	No. 53-9240 (Optional) (04405 & 04408) ...	46
Seat Assembly	19	Thatching Reel Attachment	
Frame Assembly	20	Model No. 04416 (Optional)	47
Control Panel Assembly	21	Spiker Attachment Model No. 04420	
Electrical Schematic	22	(Optional)	48-49
Hydraulic Reservoir Assembly	23	Reel Shut-Off Kit No. 28-2150 (Optional)	50
Fuel Tank Assembly	24	Basket Reinforcement	
Hydraulic Schematic	25	Kit No. 26-0900 (Optional)	51
Engine Installation Assembly	26	Variable Traction Control Kit	
Hydraulic Pump Installation Assembly	27	Model No. 04421 (Optional)	52
Hydraulic Pump Assembly No. 68-4940	28	8 & 11 Blade Cutting Units w/Groomer	
Rear Wheel Assembly	29	Model No. 04460 & 04465)	53-58
Hydraulic Cylinder Assembly No. 83-2330	30	Special Tools	59-60
Reel Motor Installation Assembly	31	Briggs & Stratton Engine Assembly	
Reel Motor Assembly No. 70-9800	32	Model 303447-0411-01	61-71
Cutting Unit Assembly		International Decal Cross Reference	72-74
Model No. 04405 & 04408	33-34	Part Number Index	75-84
Cutting Unit Model No. 04450 (11 Blade)	35		

