



## G132 Rear-Engine Riding Mower

Model No. 70185 - 250000001 and up.

### Parts Catalog

---

#### **Ordering Replacement Parts**

To order replacement parts, please supply the part number, the quantity, and the description of each part desired.

#### **Understanding Reference Numbers**

Each identified part in an illustration has a reference number. The reference number for a part also appears in the parts list, along with other information about the part.

This catalog uses two special reference number formats, one to indicate parts in a service assembly and another to indicate the quantity of a given part in an illustration.

#### **Service Assembly Reference Numbers**

Parts in service assemblies have reference numbers in the form a:b. The a represents the reference number of the entire service assembly and the b represents a sequential number unique to each part within the service assembly.

For example, a wheel assembly might be identified by reference number 6, the tire by 6:1, the valve by 6:2, and the wheel by 6:3. When you order the assembly identified by reference number 6, you receive all parts identified by reference numbers 6:1, 6:2, and 6:3. However, you may also order any part individually. Reference numbers of this type appear in illustrations and in part lists.

#### **Reference Numbers Indicating Quantity**

In an illustration, if a reference number indicates more than one part, the reference number has the form nX y. The n represents the quantity of the part, the X is the multiplication symbol, and the y represents the reference number.

For example, in an illustration, the reference number 2X 37 means that two of the parts identified by reference number 37 are indicated.

# Contents

Description	Page	Description	Page
Body and Decal Assembly	3	Crankshaft Assembly Briggs and Stratton 31G777-0121-E1	17
Seat and Rear Bag Assembly	4	Oil Filter, Tube and Pump Assembly Briggs and Stratton 31G777-0121-E1	18
Front Axle and Steering Assembly	5	Crankcase Assembly Briggs and Stratton 31G777-0121-E1	19
Deck and Spindle Assembly	6	Carburetor Assembly Briggs and Stratton 31G777-0121-E1	20
Deck Suspension Assembly	8	Governor Assembly Briggs and Stratton 31G777-0121-E1	21
Rear Wheel and Transmission Assembly	9	Blower Housing Assembly Briggs and Stratton 31G777-0121-E1	22
Engine and Fuel Tank Assembly	10	Starter Assembly Briggs and Stratton 31G777- 0121-E1	23
Gear Transmission and Linkage Assembly	11	Gasket Assembly Briggs and Stratton 31G777- 0121-E1	24
Electrical Component and Cable Assembly	12	Carburetor Overhaul Kit Assembly Briggs and Stratton 31G777-0121-E1	25
Cover Assembly Peerless No. MST205-542D	13		
Case Assembly Peerless No. MST-542D	14		
Cylinder Assembly Briggs and Stratton 31G777-0121-E1	15		
Cylinder Head Assembly Briggs and Stratton 31G777-0121-E1	16		

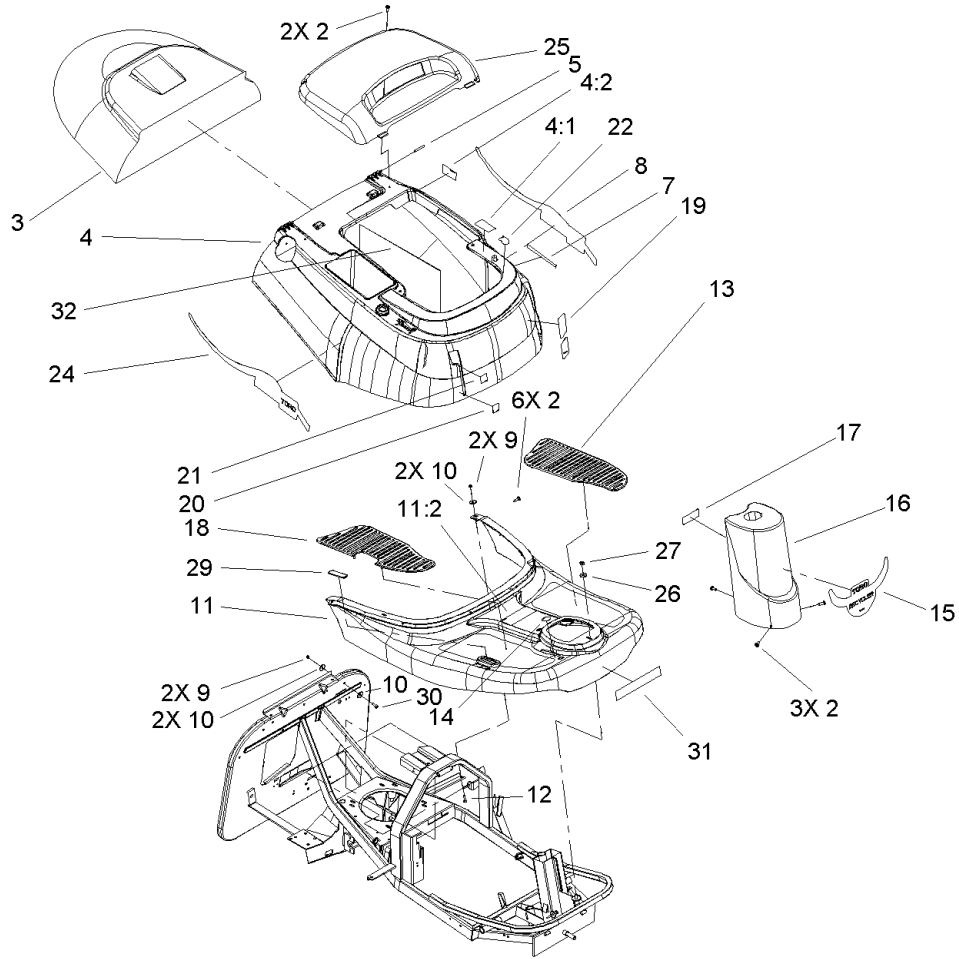
## Part Description Abbreviations

Part descriptions in this catalog may include the following abbreviations.

AR. .... as required	HYD. .... hydraulic
ASM. .... assembly	LH. .... left hand
BBC. .... blade brake clutch	NI. .... nylon insert
CARR. .... carriage	NPTF. .... national pipe thread fine
DEG. .... degrees	PFH. .... phillips flat head
EXT. .... external	PPH. .... phillips pan head
FH. .... flat head	PPHTF. .... phillips pan head thread forming
GA. .... gauge	PRH. .... phillips round head
HD. .... heavy-duty	PTH. .... phillips truss head
HF. .... hex flange	PTO. .... power-take-off
HH. .... hex head	RH. .... right hand
HHF. .... hex head flange	ROPS. .... roll-over protection system
HHFTF. .... hex head flange thread forming	SFH. .... slotted fillister head
HJ. .... hex jam	SHH. .... slotted hex head
HLH. .... hex lag head	SHWH. .... slotted hex washer head
HOC. .... height-of-cut	SPH. .... slotted pan head
HSBH. .... hex socket button head	SQH. .... square head
HSFH. .... hex socket flat head	SRH. .... slotted round head
HSH. .... hex socket head	STD. .... standard
HWH. .... hex washer head	TAP. .... self tapping
HWHTF. .... hex washer head thread forming	TTH. .... torx truss head

## Footnotes

- |   |   |
|---|---|
| ❶ Not illustrated                               | ❷ Not serviced separately                         |
| ❸ Included in Engine Gasket Set-Ref. 358.       | ❹ Included in Valve Gasket Set-Ref. 1095.         |
| ❺ Included in Carburetor Overhaul Kit-Ref. 121. | ❻ Included in Carburetor Gasket Set-Ref. 977.     |
| ❼ Obtain parts from local Peerless dealer.      | ❼ Obtain from your local Briggs & Stratton dealer |

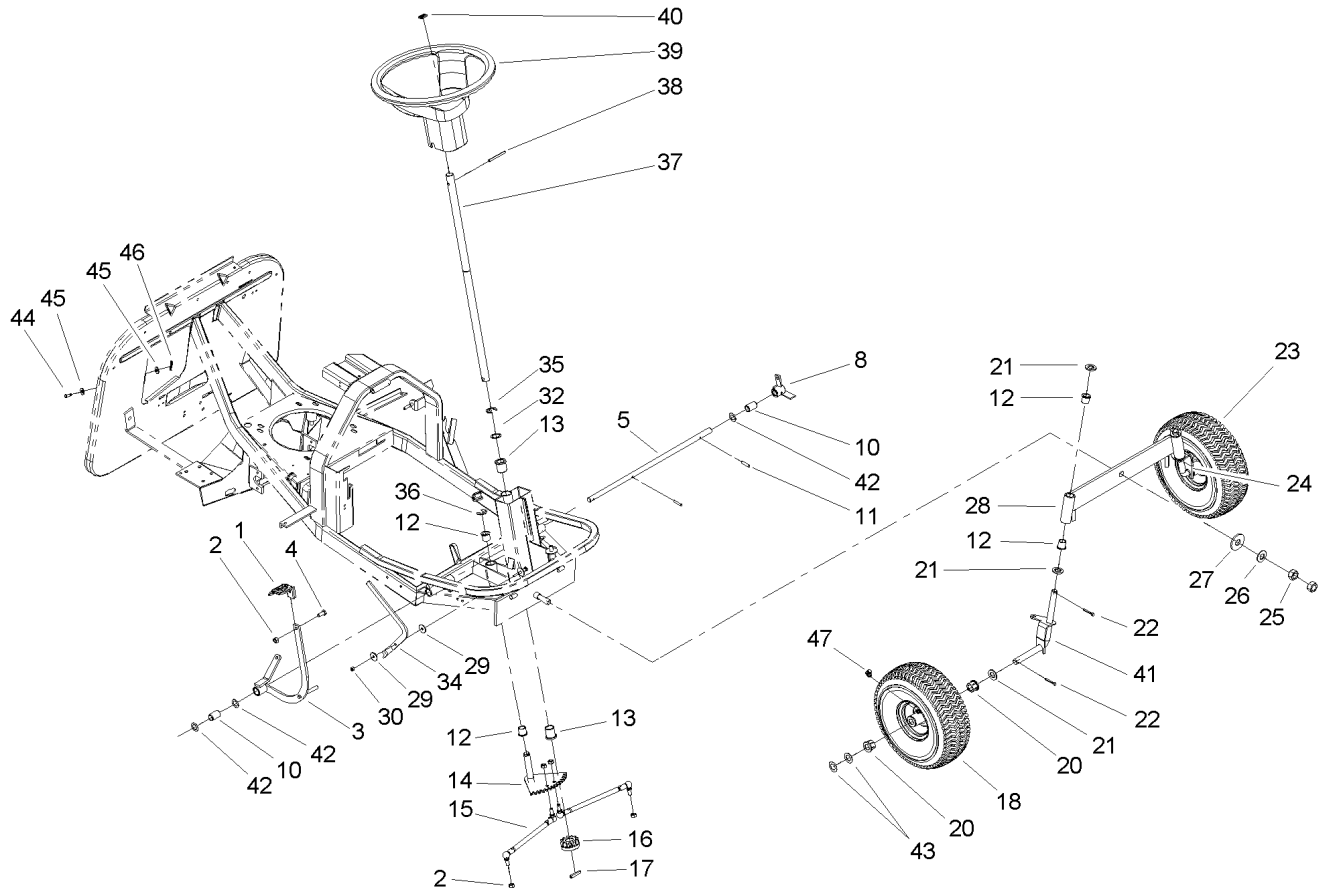


## Body and Decal Assembly

Ref	Part No.	Qty.	Description
2	106-2851	11	Screw-HH, TAP
3	106-1810	1	Cover-Grass Bag
4	106-2885	1	Shroud And Decal ASM
④4:1		1	Decal-Danger
④4:2		1	Decal-Warning, Hot
5	106-2870	2	Pin-Dowel
②7		1	Decal-Shift
8	107-8978	1	Decal
9	49-7810	4	Nut-Lock
10	106-2853	5	Washer-Flat
11	106-2901	1	Foot Rest And Decal ASM
②11:2		1	Decal-Caution
12	33113-020	2	Screw-HH
13	106-2973	1	Floormat-LH
②14		1	Decal-Clutch,Intl Rer
15	106-6517	1	Decal-Front
16	106-2906	1	Steering-Turret
②17		1	Decal-Run Lights
18	106-2972	1	Floormat-RH
②19		1	Decal-HOC
②20		1	Decal-PTO, Disengage
②21		1	Decal-PTO, Engage
②22		1	Decal-Switch
24	107-8979	1	Decal

Ref	Part No.	Qty.	Description
25	106-2860	1	Cover-Engine
26	106-2854	1	Washer-Flat
27	46-0330	1	Nut-Lock
29	106-2987	1	Cover
30	33113-016	2	Screw-HH
31	106-6525	1	Decal
32	107-2228	1	Insulation
①99	106-2887	1	Decal Kit

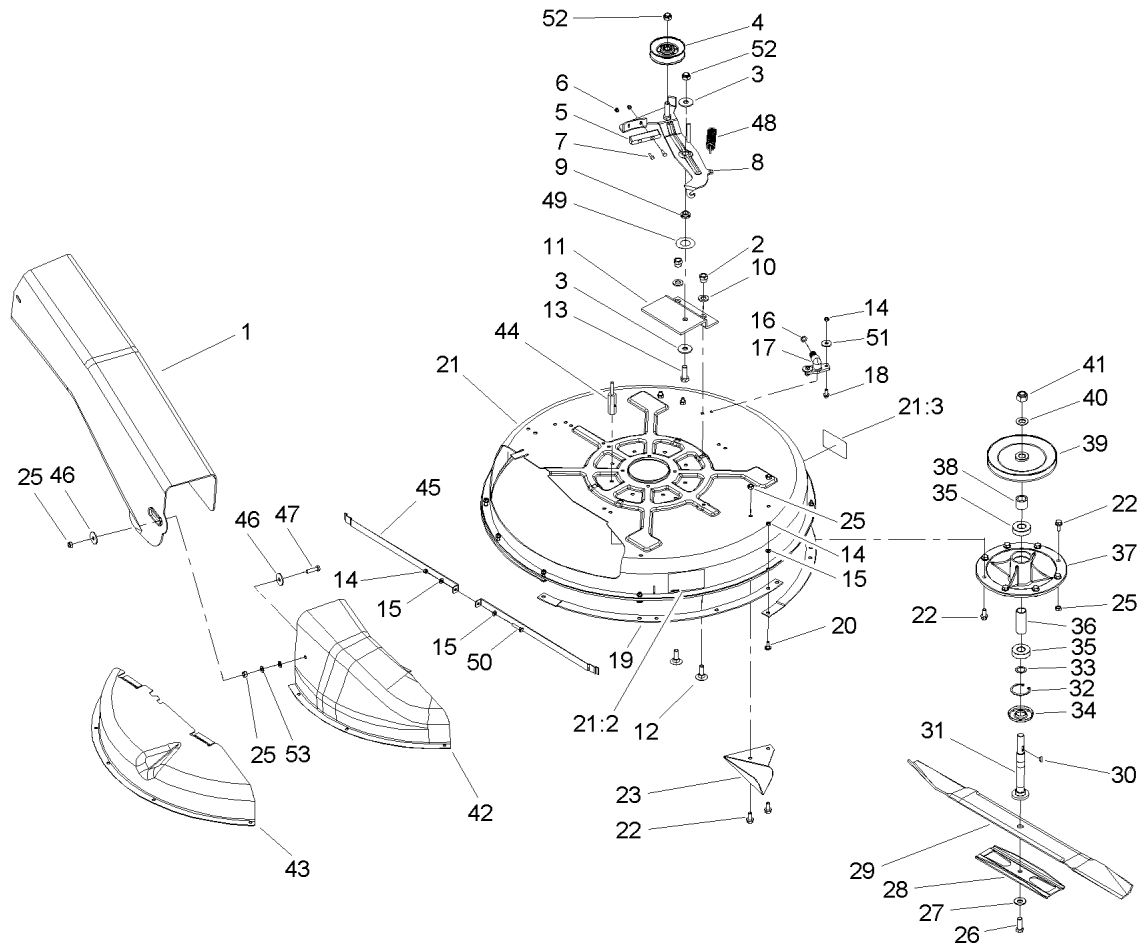




## Front Axle and Steering Assembly

Ref	Part No.	Qty.	Description
1	106-2957	1	Pedal-Brake
2	46-0330	5	Nut-Lock
3	106-2965	1	Lever-Brake
4	33114-020	1	Screw-HH
5	106-2985	1	Shaft
8	106-2978	1	Bushing
10	106-2962	2	Bushing
11	106-2874	2	Pin-Dowel
12	106-1811	6	Bushing
13	106-2873	2	Bushing
14	106-2868	1	Rack-Steering
15	106-2933	2	Rod-Tie
16	106-2878	1	Gear-Steering
17	106-1845	1	Pin-Spiral
18	106-2951	2	Wheel
20	106-6508	4	Bushing
21	33098-00	4	Washer-Flat
22	3272-21	4	Pin-Cotter
23	106-2907	2	Tire
24	106-2953	1	Axle-Wheel, LH
25	33018-00	2	Nut-Hex
26	106-2926	1	Washer-Bell
27	106-2925	1	Washer-Flat
28	106-2864	1	Axle-Front

Ref	Part No.	Qty.	Description
29	106-2853	2	Washer-Flat
30	49-7810	1	Nut-Lock
32	106-1807	1	Spacer
34	106-2961	1	Lever
35	106-2909	1	Ring-Retaining, EXT
36	106-2908	1	Ring-Retaining, EXT
37	106-2872	1	Shaft-Steering
38	106-1846	1	Pin-Roll
39	106-2883	1	Wheel-Steering
40	98-1459	1	Decal
41	106-2952	1	Axle-Wheel, RH
42	106-1835	3	Spacer
43	106-6544	4	Washer
44	106-6543	1	Pin-Grooved
45	106-2865	2	Washer-Flat
46	106-2879	1	Pin-Hair
47	106-6546	2	Zerk-Grease 90 DEG

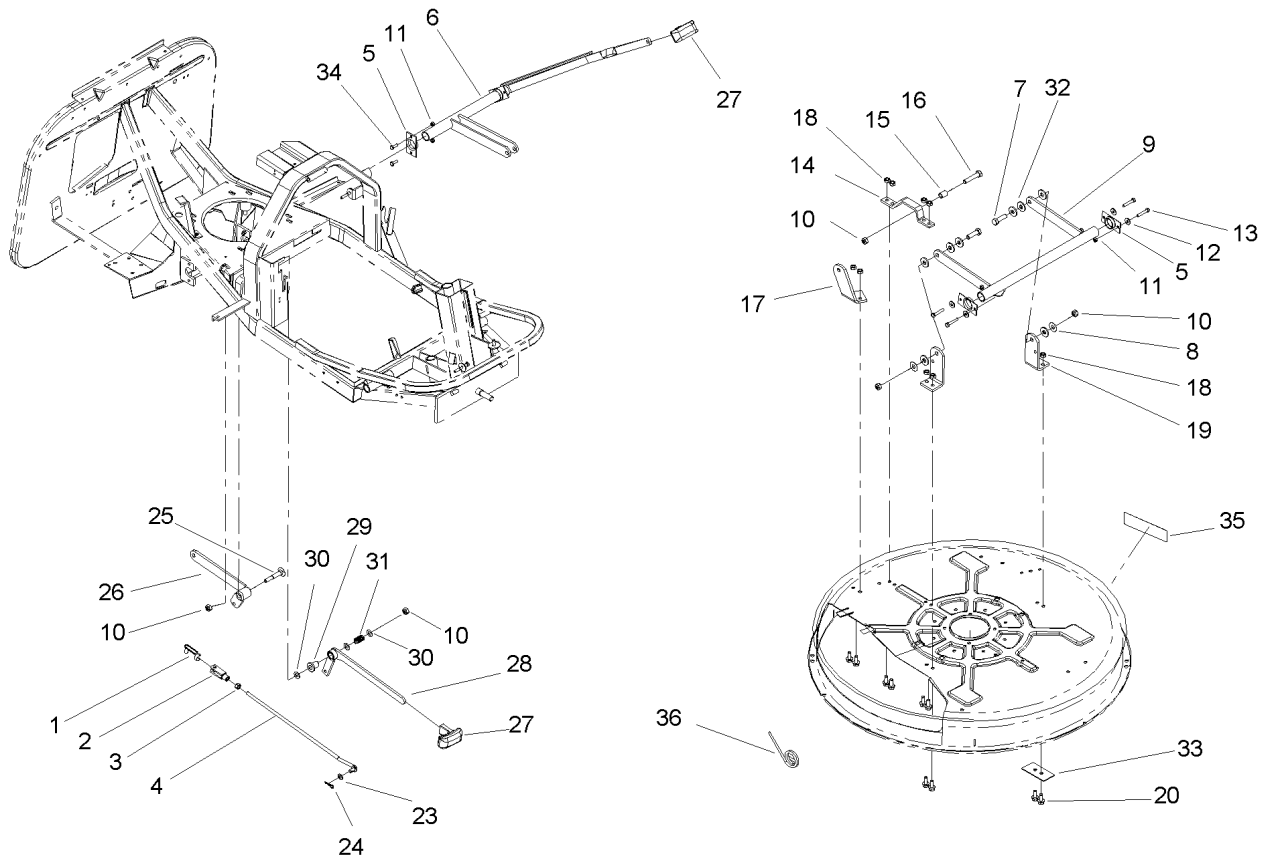


## Deck and Spindle Assembly

Ref	Part No.	Qty.	Description
1	106-2970	1	Tube-Discharge
2	46-0090	2	Nut-Lock
3	106-2922	2	Washer-Flat
4	106-1813	1	Pulley-Idler
5	106-1814	1	Brake-Rubber
6	46-0410	2	Nut-Lock
7	60-6910	2	Screw
8	106-2889	1	Brake ASM
9	106-2892	1	Bushing
10	33096-00	2	Washer-Flat
11	106-2884	1	Bracket-Deck
12	33126-035	2	Screw-CARR
13	33116-035	1	Screw-HH
14	49-7810	11	Nut-Lock
15	33093-00	10	Washer-Flat
16	106-1847	1	O-Ring
17	95-2747	1	Fitting-Washout
18	33103-016	2	Screw-HHF
19	80-4490	4	Ring-Deck
20	106-6510	8	Screw-Sh
21	106-6545	1	Deck ASM
21:2	106-2940	1	Decal-Caution
21:3	106-2943	1	Decal-Discharge Cover
22	33104-020	13	Screw-HHF

Ref	Part No.	Qty.	Description
23	80-2630	2	Kicker
25	46-0330	13	Nut-Lock
26	3212-5	1	Screw-HH
27	106-2858	1	Washer-Bell
28	80-4570	1	Stiffener
29	106-6547	1	Blade-Recycler
30	106-1805	1	Key
31	106-2902	1	Shaft-Spindle
32	106-2910	1	Ring-Snap
33	106-1807	1	Spacer
34	80-4370	1	Shield-Bearing
35	251-297	2	Bearing-Ball
36	106-2888	1	Spacer
37	56-7030	1	Spindle
38	106-1842	1	Spacer
39	106-1812	1	Pulley
40	33098-00	1	Washer-Flat
41	106-2914	1	Nut-Hex
42	106-2898	1	Tunnel-Discharge
43	106-2899	1	Cover-Recycler
44	106-2897	1	Guide-Belt
45	106-6542	2	Strap-Deck
46	106-2855	2	Washer-Flat
47	33114-030	1	Screw-HH

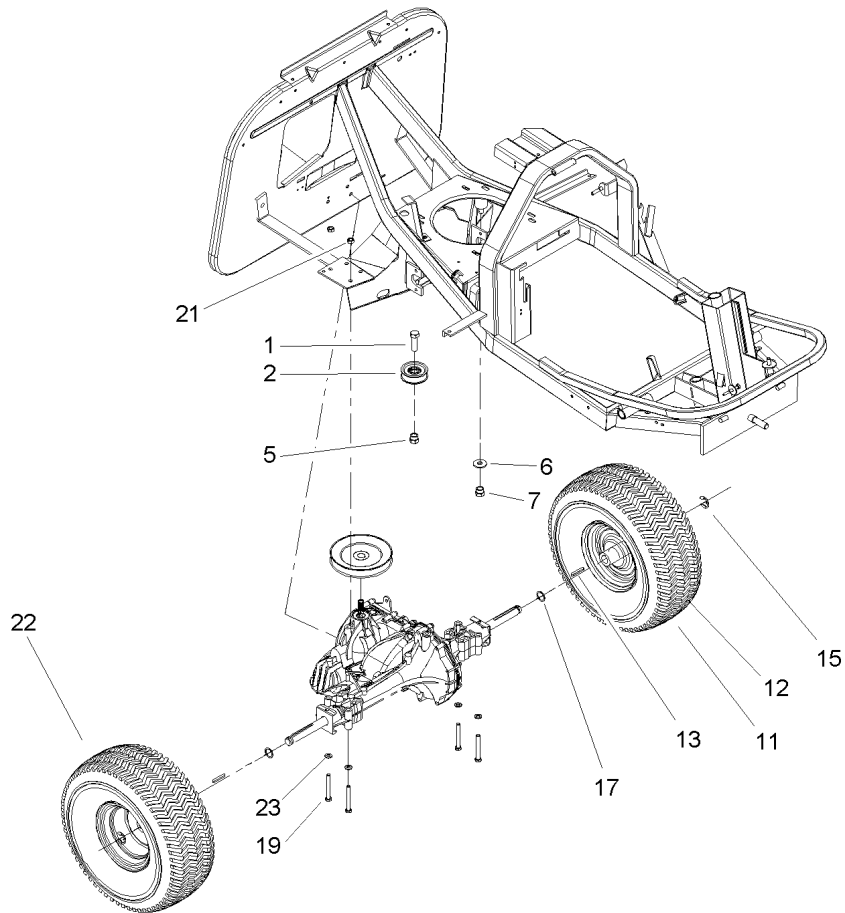




## Deck Suspension Assembly

Ref	Part No.	Qty.	Description
1	106-1809	1	Retainer-Yoke
2	106-1803	1	Yoke
3	33014-00	1	Nut-Hex
4	106-2937	1	Rod-Tie
5	106-2880	3	Bracket-Support
6	107-8942	1	Lever-Lift
7	33115-035	3	Screw-HH
8	106-6511	6	Washer-Flat
9	106-1829	1	Hanger Deck ASM
10	33025-00	6	Nut-Lock
11	49-7810	8	Nut-Lock
12	106-2865	4	Washer-Flat
13	33113-035	4	Screw-HH
14	106-2895	1	Bracket-Deck
15	106-2912	1	Bushing
16	33115-050	1	Screw-HH
17	106-2894	1	Bracket-Deck
18	46-0330	6	Nut-Lock
19	106-2896	2	Bracket-Deck
20	33104-020	6	Screw-HHF
23	33094-00	1	Washer-Plain
24	106-2879	1	Pin-Hair
25	106-2882	1	Screw-CARR
26	106-1830	1	Hanger Deck ASM

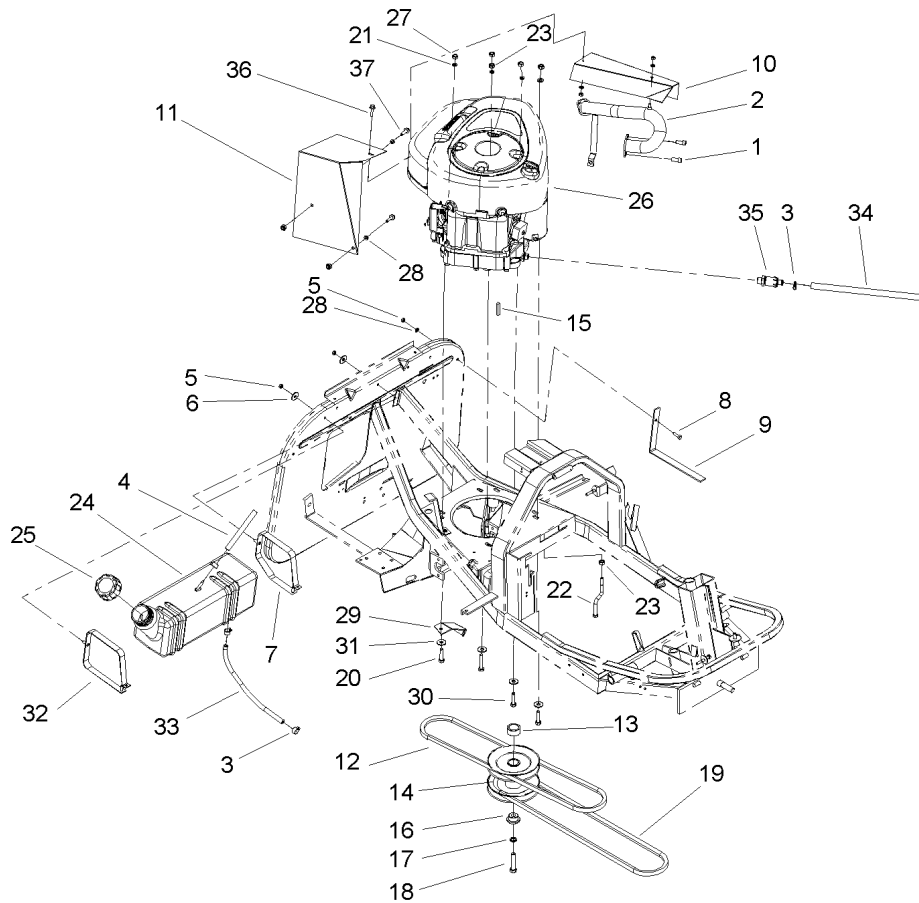
Ref	Part No.	Qty.	Description
27	106-2967	2	Handle
28	106-2954	1	Lever-Blade, Clutch
29	106-2955	1	Bushing
30	106-2869	3	Shim
31	106-2950	1	Spring-Compression
32	106-1806	9	Washer
33	106-6512	1	Plate
34	33113-016	4	Screw-HH
35	106-6406	1	Decal-Recycler
36	107-2229	1	Spring-Lift, Deck



## Rear Wheel and Transmission Assembly

Ref	Part No.	Qty.	Description
1	33116-035	1	Screw-HH
2	106-2877	1	Pulley ASM
5	106-6513	1	Nut-Lock
6	106-2921	1	Washer-Flat
7	33025-00	1	Nut-Lock
11	106-2948	1	Wheel-LH
12	106-2913	2	Tire
13	106-2994	2	Key-Square
15	106-2909	2	Ring-Retaining, EXT
17	106-2992	2	Washer-Flat
19	33114-060	4	Screw-HH
21	46-0330	4	Nut-Lock
22	106-2947	1	Wheel-RH
23	33094-00	4	Washer-Plain

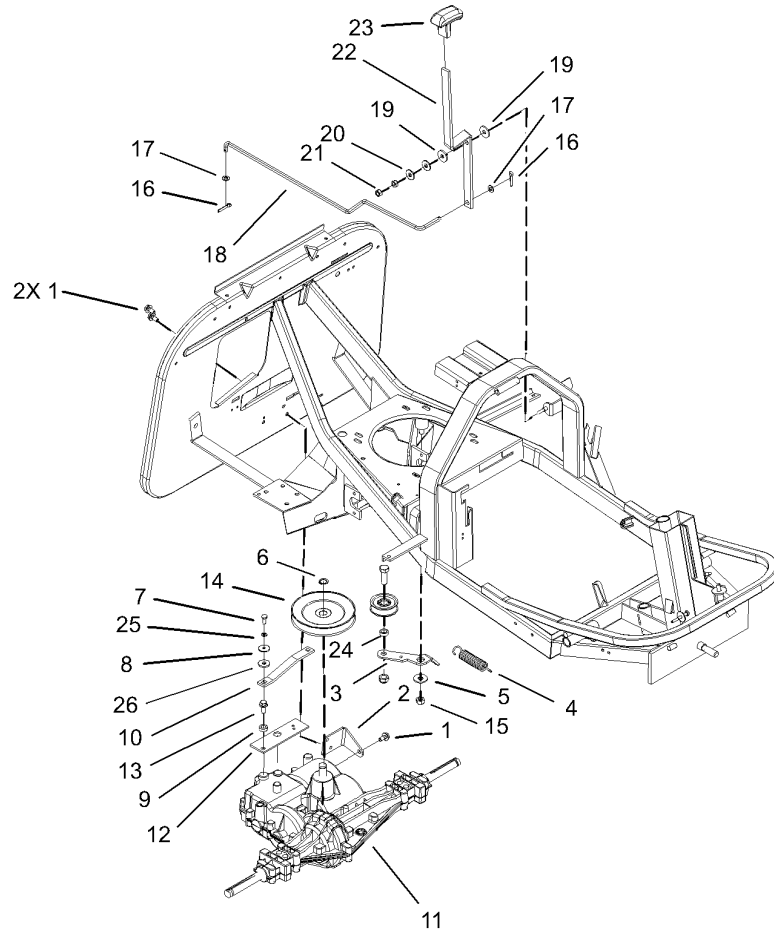
--	--	--	--



## Engine and Fuel Tank Assembly

Ref	Part No.	Qty.	Description
1	3274-10	2	Screw-HSH
2	107-2233	1	Pipe-Exhaust
3	107-2210	4	Clamp-Tube
4	106-2990	1	Hose-Fuel
5	49-7810	8	Nut-Lock
6	106-2853	2	Washer-Flat
7	106-6541	1	Strap-Fuel Tank, Left
8	33113-020	1	Screw-HH
9	106-1828	1	Guard-Muffler
10	107-2235	1	Shield-Pipe, Exhaust
11	107-2234	1	Shield-Muffler, Rear
12	106-2905	1	Belt
13	106-1836	1	Spacer
14	106-2915	1	Pulley
15	67-7490	1	Key-Square
16	106-1837	1	Spacer
17	106-2856	1	Washer-Lock
18	3212-8	1	Screw-HH
19	106-1826	1	Belt-Deck
20	33114-035	3	Screw-HH
21	33094-00	4	Washer-Plain
22	106-2974	2	Guide-Belt
23	33014-00	2	Nut-Hex
24	106-6537	1	Tank-Fuel

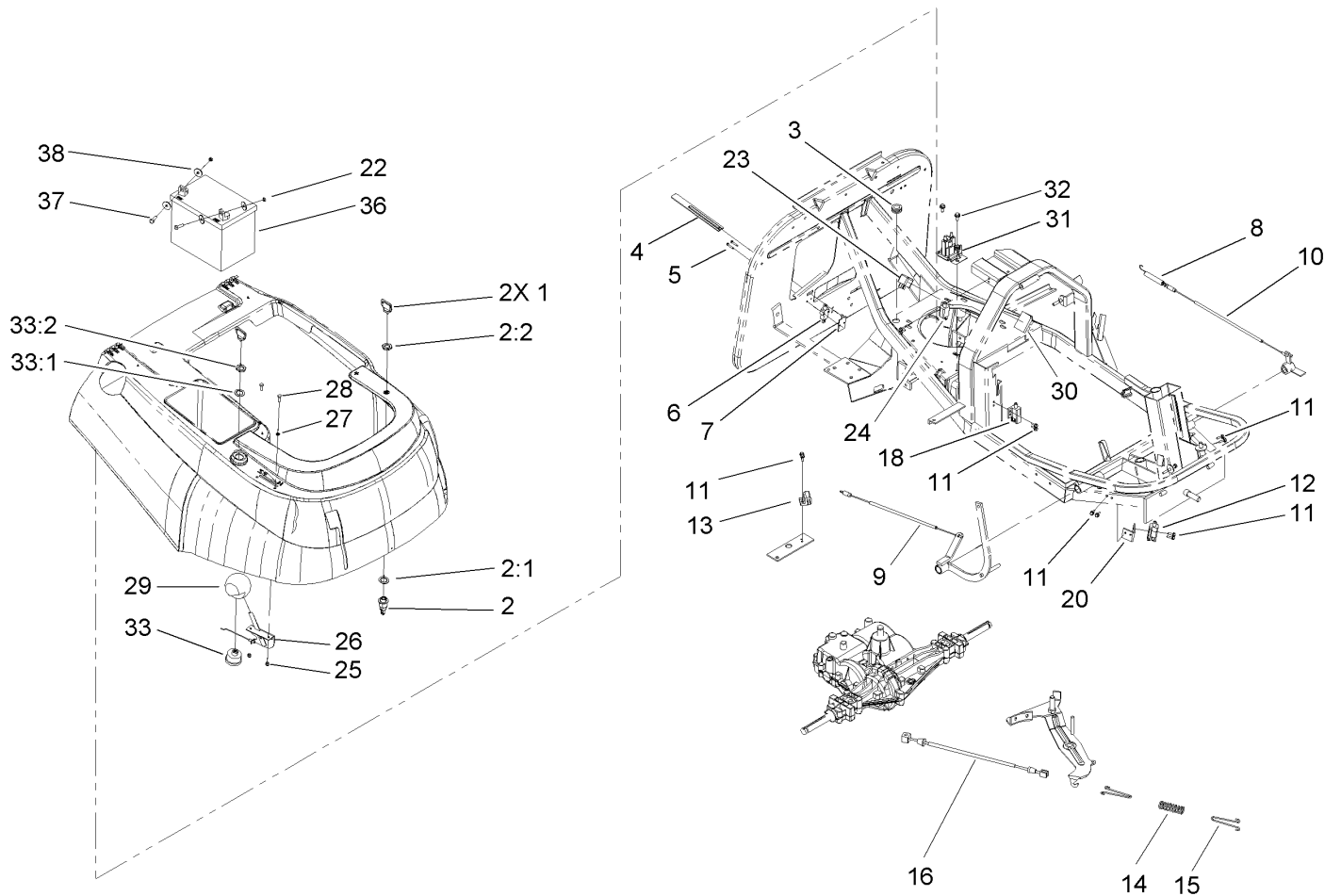
Ref	Part No.	Qty.	Description
25	55-3576	1	Gas Cap ASM
26		1	Engine,
27	46-0330	4	Nut-Lock
28	33093-00	3	Washer-Flat
29	107-2239	1	Bracket, Drive Belt
30	33114-045	1	Screw-HH
31	106-2854	4	Washer-Flat
32	106-6540	1	Strap-Fuel Tank, Rt
33	107-1555	1	Hose-Fuel
34	107-2241	1	Tube-Drain, Oil
35	92-6877	1	Valve-Drain, Oil
36	33103-025	1	Screw-HHF
37	33103-030	2	Screw-HHF



## Gear Transmission and Linkage Assembly

Ref	Part No.	Qty.	Description
1	106-6516	3	Screw-HHF TAP
2	106-2979	1	Bracket
3	106-2938	1	Bracket-Idler
4	106-2936	1	Spring-Extension
5	106-2921	1	Washer-Flat
6	106-2862	1	Ring-External
7	321-3	1	Screw-HH
8	106-2853	1	Washer-Flat
9	106-2999	1	Spacer
10	106-2976	1	Bracket
11	106-2876	1	Differential-Gear
12	106-2931	1	Plate
13	33104-020	1	Screw-HHF
14	106-2932	1	Pulley
15	33025-00	1	Nut-Lock
16	3272-21	2	Pin-Cotter
17	33094-00	2	Washer-Plain
18	106-2977	1	Link
19	106-2975	2	Washer
20	106-2854	2	Washer-Flat
21	33014-00	2	Nut-Hex
22	106-2935	1	Lever-Clutch
23	106-2967	1	Handle
24	106-2986	1	Spacer

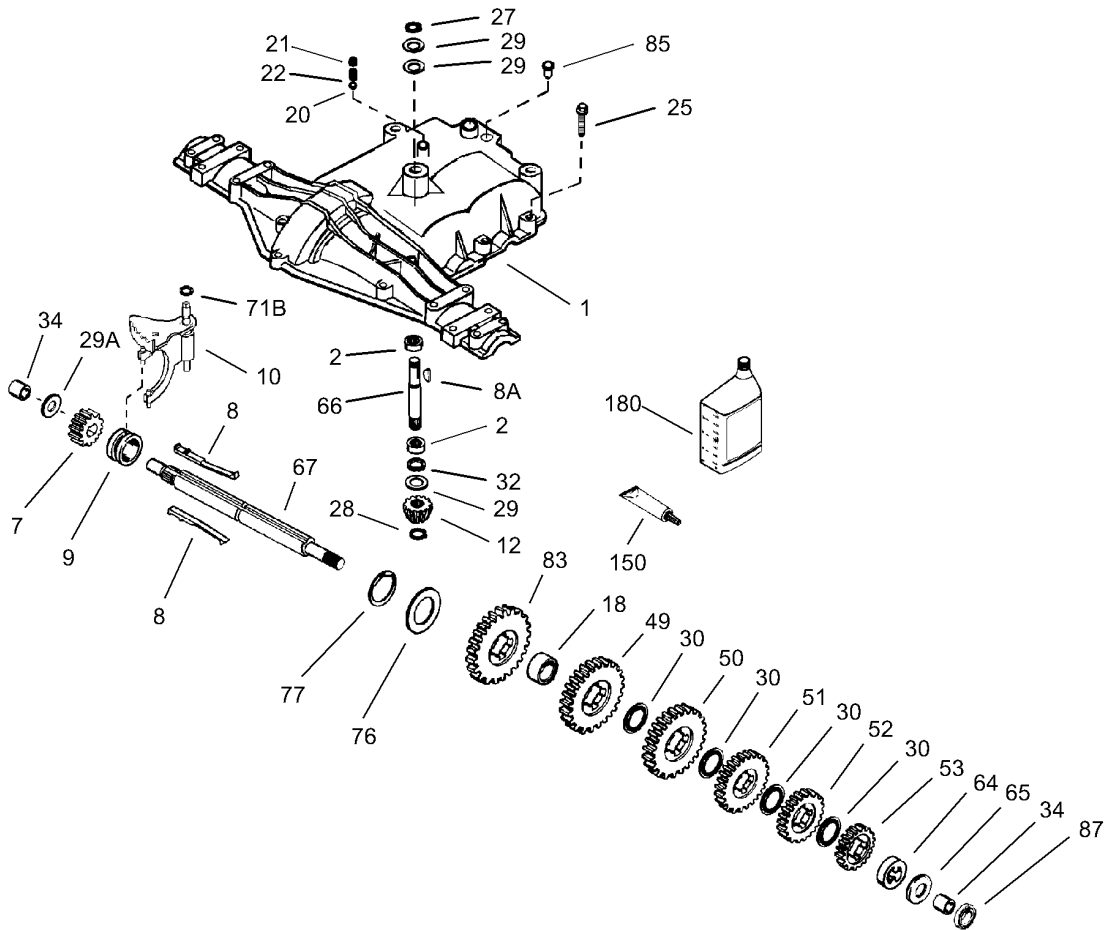
Ref	Part No.	Qty.	Description
25	106-6506	1	Washer-Lock/Sp
26	106-6514	1	Washer-Flat



## Electrical Component and Cable Assembly

Ref	Part No.	Qty.	Description
1	63-8360	2	Key-Ignition
2	46-5780	1	Switch-Starter
2:1	3254-5	1	Washer-Tooth
2:2	218-461	1	Nut-HH
3	106-2863	1	Grommet
4	106-1831	1	Lever-Bag Fill
5	106-2850	2	Screw
6	106-1843	1	Switch
7	106-1827	1	Clamp-Bag Fill
8	106-2981	1	Spring-Extension
9	106-2983	1	Cable
10	106-2982	1	Cable
11	106-1849	16	Screw-HH TAP
12	65-7410	1	Switch-Pole, Single
13	106-2998	1	Switch
14	106-2917	1	Spring-Compression
15	106-2918	2	Hook-Spring
16	106-2956	1	Cable
18	86-4690	1	Switch-Interlock
20	106-1816	1	Bracket-Switch
22	33013-00	2	Nut-Hex
23	98-7249	1	Relay
24	65-7410	1	Switch-Pole, Single
25	46-0410	2	Nut-Lock

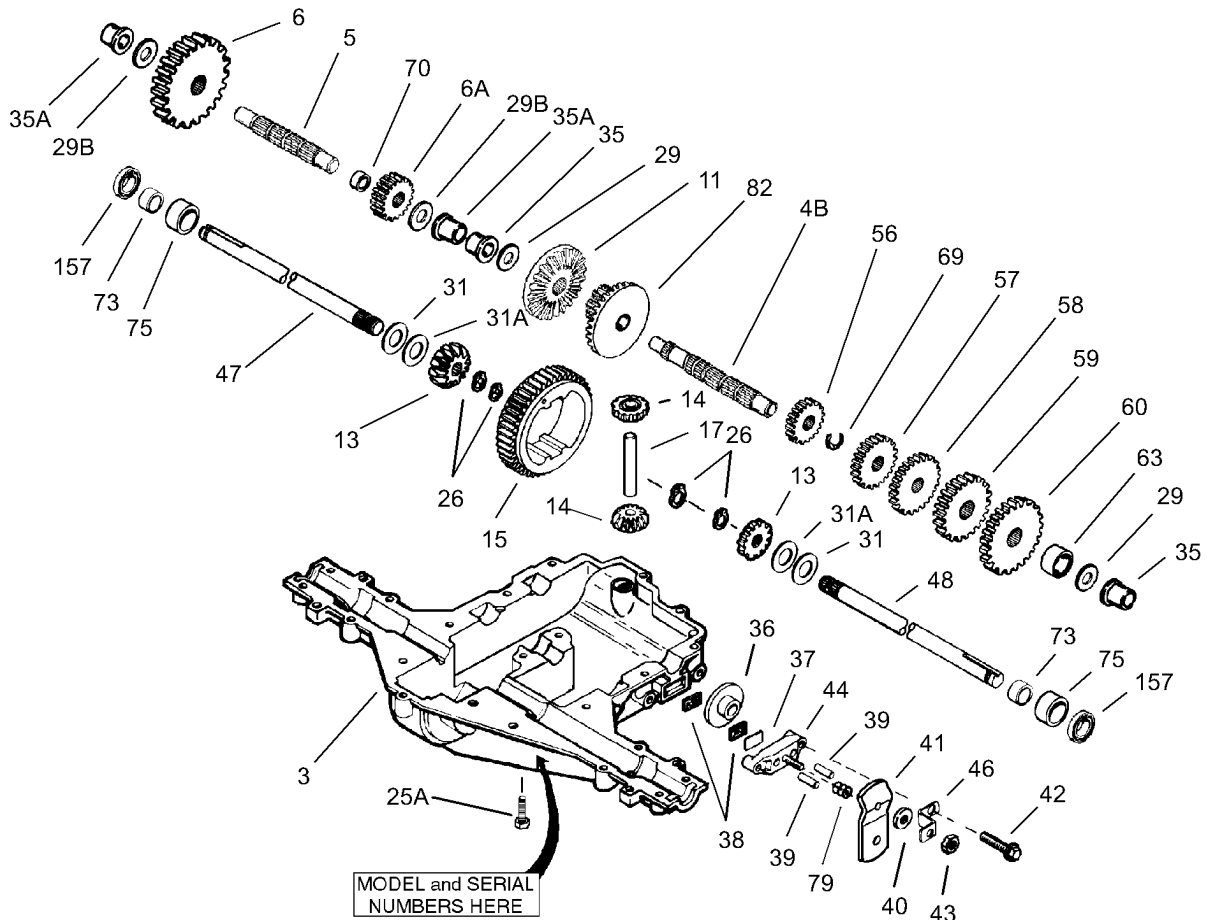
Ref	Part No.	Qty.	Description
26	106-2916	1	Throttle Cable ASM
27	52-6430	2	Washer
28	60-6910	2	Screw
29	106-2989	1	Knob
30	99-3700	1	Module
31	47-1910	1	Solenoid
32	106-2852	2	Screw-HHF TAP
33	88-9830	1	Key Switch ASM
33:1	3254-5	1	Washer-Tooth
33:2	218-461	1	Nut-HH
36	104-1755	1	Battery
37	33113-020	2	Screw-HH
38	106-2853	4	Washer-Flat
99	108-8715	1	Harness-Wiring



## Cover Assembly Peerless No. MST205-542D

Ref	Part No.	Qty.	Description
1	772147	1	Transaxle Cover
2	780086A	2	Bearing-Needle
7	778330	1	Spur Gear (11 Teeth-Steel)
8	792180	2	Key-Shift (820-024A Only)
8A	792047	1	Kev. Woodruff
9	784352	1	Shift Collar
10	784378	1	Shift Rod & Fork
12	778309	1	Input Bevel Pinion (13 Teeth)
18	786102	1	Spacer
20	792077A	1	Ball-Steel
21	792211	1	Cap Screw 3/8-16 X 3/8"
22	792079	1	Spring
25	792073A	17	Screw
27	792035	1	Ring, Snap
28	788040	1	Ring-Retainer
29	780072	5	Washer
29A	780160	1	Washer
30	780108	4	Washer
32	788083	1	Oil Seal
34	780194	2	Bushing
49	778336	1	Spur Gear (30 Teeth)
50	778338	1	Spur Gear (27 Teeth)
51	778342	1	Spur Gear (22 Teeth)
52	778352	1	Spur Gear (19 Teeth)

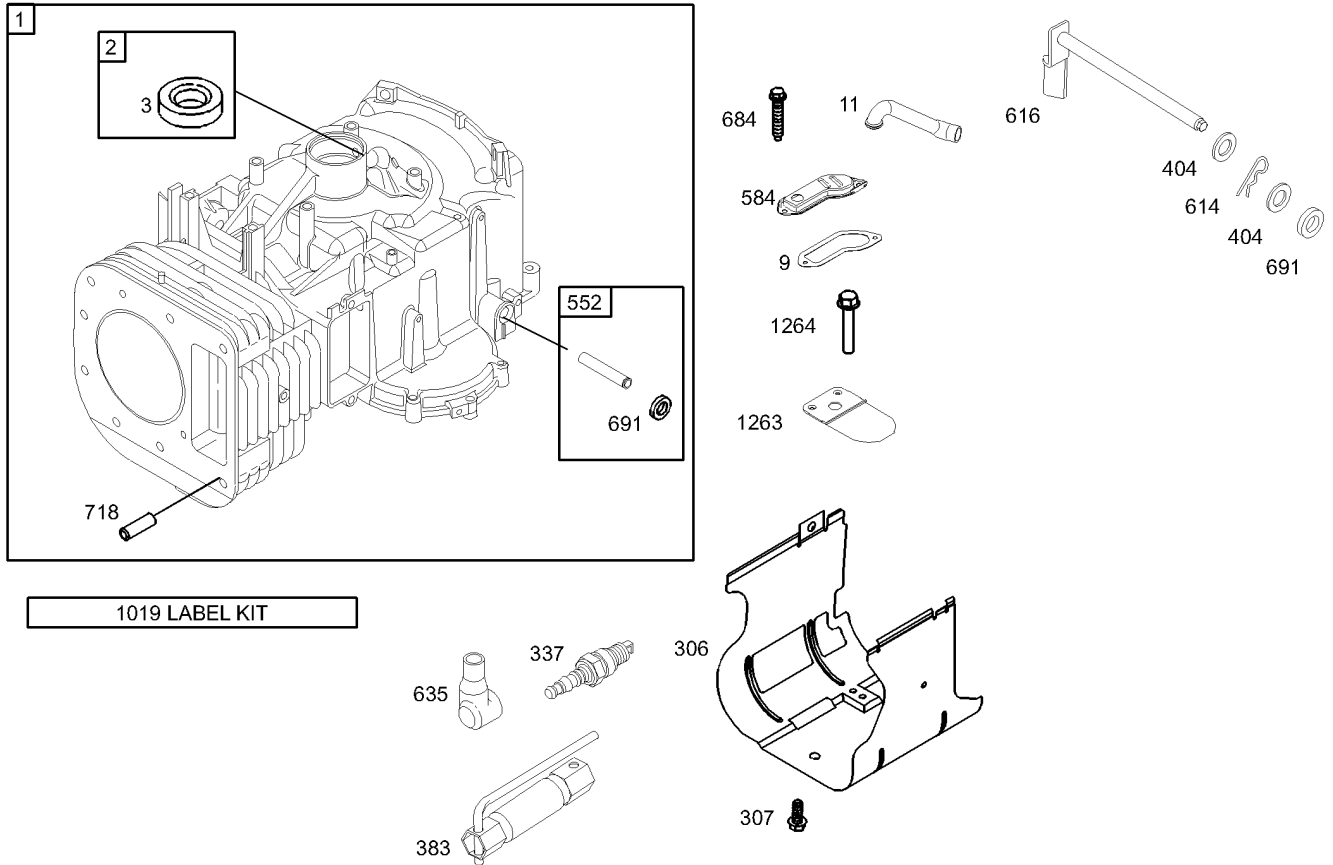
Ref	Part No.	Qty.	Description
53	778346	1	Spur Gear (15 Teeth-Steel)
64	786072	1	Spacer
65	780189	1	Washer
66	776422	1	Input Shaft
67	776396	1	Shifter & Brake Shaft
71B	788092	1	"o" Ring
76	780090	1	Washer
77	788078A	1	Inverted Retaining Ring
83	778338	1	Spur Gear (27 Teeth)
85	792154	1	Pipe Plug
87	788089A	1	Oil Seal 9/16"
150	788093A	1	Liquid Gasket Rtv Silicone
180	730229A	1	Gear Oil



## Case Assembly Peerless No. MST-542D

Ref	Part No.	Qty.	Description
3	770128	1	Transaxle Case
4B	776406	1	Countershaft
5	776409	1	Output Shaft
6	778364	1	Spur Gear (38 Teeth)
6A	778369	1	Spur Gear (15 Teeth)
11	778334	1	Bevel Gear (30 Teeth)
13	778368	2	Bevel Gear (13 Teeth)(Incl. 14)
14	778368	2	Bevel Pinion (13 Teeth)(Incl. 13)
15	778370	1	Ring Gear (43 Teeth)
17	786188	1	Drive Pin
25A	792177	2	Screw 1/4-20 X 1-3/8"
26	792125	4	Retaining Ring (Pkg Of 2)
29	780072	5	Washer
29B	780051	2	Washer
31	780001	2	Washer
31A	780195	2	Flat Washer (.062 Wide)
35	780193	2	Flanged Bushing
35A	780197	2	Flanged Bushing
36	790075	1	Brake Disk
37	790007	1	Brake Pad Plate
38	799021	2	Pad-Brake 2/Pkg
39	786026	2	Dowel Pin
40	792076A	1	Washer
41	790008A	1	Lever-Brake

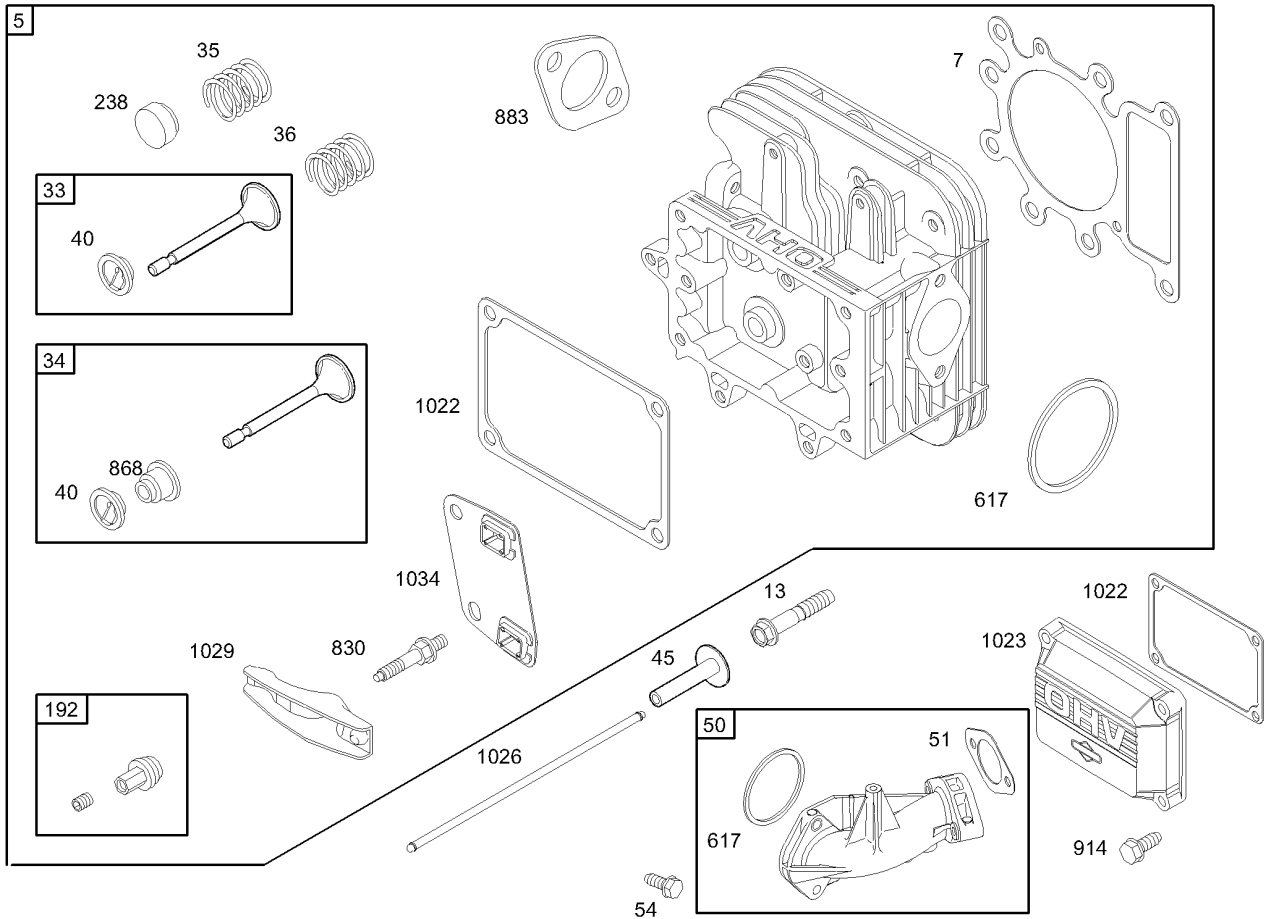
Ref	Part No.	Qty.	Description
42	792073A	2	Screw
43	792075	1	Locknut
44	790025	1	Nozzle-Carburetor
46	786086	1	Bracket
47	775000	1	Axle (11-3/8" Long)
48	774687	1	Axle (15-7/8" Long)
56	778335	1	Spur Gear (10 Teeth-Steel)
57	778337	1	Spur Gear (13 Teeth)
58	778341	1	Spur Gear (18 Teeth)
59	778351	1	Spur Gear (21 Teeth)
60	778345	1	Spur Gear (25 Teeth)
63	786071	1	Spacer
69	792170	1	Retaining Ring
70	786187	1	Spacer .890
73	780140	2	Bearing Needle
75	786084	2	Sleeve
79	792144	1	Piston ASM (.020In Oversize)
82	778363	1	Bevel And Spur Gear (30 And 13 Teeth)
157	788088A	2	Oil Seal 3/4"



Assemblies include all parts shown in frames.

## Cylinder Assembly Briggs and Stratton 31G777-0121-E1

Ref	Part No.	Qty.	Description
1	697174	1	Cylinder ASM
2	399265	1	Bushing / Seal Kit
3	391086	1	Seal-Oil
5	697109	1	Gasket-Breather
11	697113	1	Tube-Breather
1	697762	1	Short Block ASM
3	697107	1	Shield-Cylinder
3	691003	1	Screw
3	691043	1	Spark Plug
3	89838	1	Wrench-Plug, Spark
4	691691	1	Washer
5	697144	1	Bushing-Crank, Governor
5	697112	1	Cover-Passage, Breather
6	691620	1	Pin-Cotter
6	692012	1	Crank-Governor
6	691909	1	Boot-Plug, Spark
6	697157	1	Screw
6	692407	1	Seal-Shaft, Governor
7	690959	1	Pin-Locating
10	697143	1	Label Kit
12	697124	1	Reed-Breather
12	697104	1	Screw

## Cylinder Head Assembly Briggs and Stratton 31G777-0121-E1

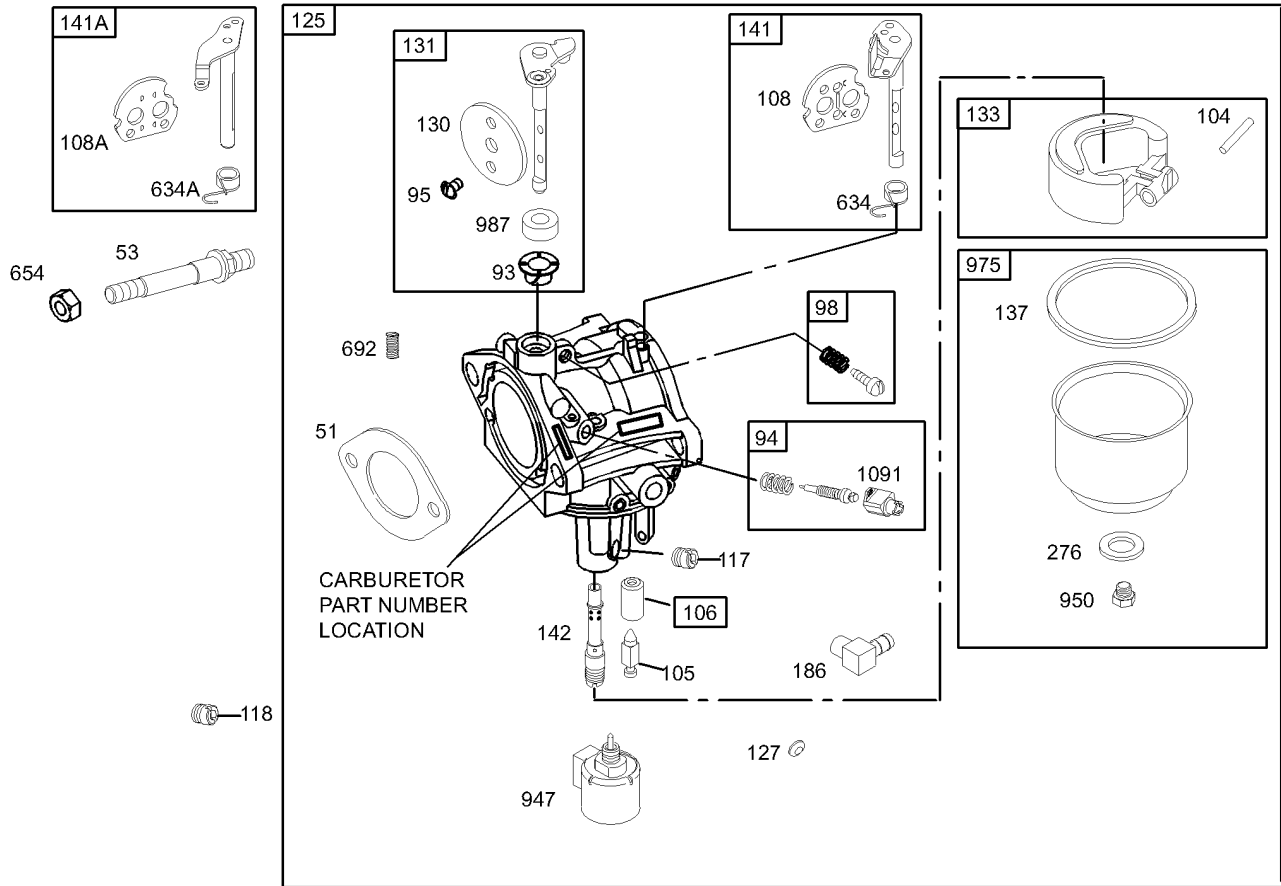
Ref	Part No.	Qty.	Description
5	698147	1	Head-Cylinder
347	692410	1	Gasket-Cylinder Head
13	690360	1	Screw
33	695760	1	Valve-Exhaust
34	695761	1	Valve-Intake
35	691279	1	Spring-Valve
36	691279	1	Spring-Valve
40	691752	1	Retainer-Valve
45	690564	1	Tappet-Valve
50	690193	1	Manifold-Intake
451	692137	1	Gasket-Intake
54	691148	1	Screw
192	691986	1	Adjustor-Arm, Rocker
238	691843	1	Cap-Valve
617	692138	1	Seal
830	691095	1	Stud-Arm, Rocker
868	690968	1	Seal-Valve
883	692236	1	Gasket-Exhaust
914	690960	1	Screw
1022	272475	1	Gasket-Cover, Rocker
1023	692492	1	Cover-Rocker

Ref	Part No.	Qty.	Description
1026	692003	1	Rod-Push
6	692011	1	Rod-Push
1029	691751	1	Arm-Rocker
1034	690822	1	Guide-Rod, Push







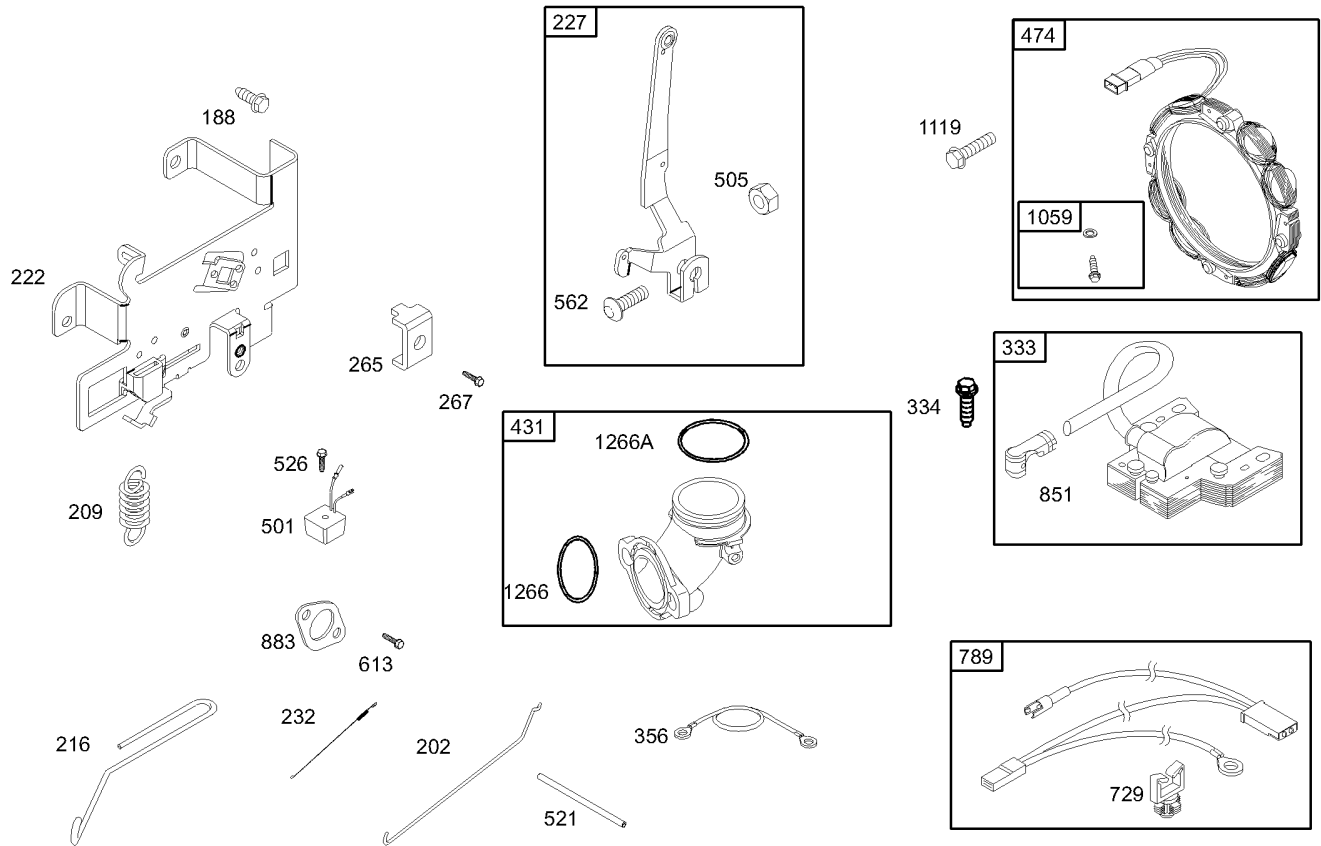


Assemblies include all parts shown in frames.

## Carburetor Assembly Briggs and Stratton 31G777-0121-E1

Ref	Part No.	Qty.	Description
⑤④51	692137	1	Gasket-Intake
⑥③			
⑤53	690227	1	Stud
⑤③93	690602	1	Bushing-Shaft, Throttle
⑤94	498030	1	Idle Mixture Kit
⑤③95	691636	1	Screw
⑤98	495800	1	Idle Speed Kit
⑤③104	690525	1	Pin-Hinge, Float
⑤③105	231855	1	Valve-Needle, Float
⑤③106	690577	1	Seat-Inlet
③108	690464	1	Valve-Choke
③108A	692344	1	Valve-Choke
③117	694352	1	Jet-Main (Standard)
③118	697228	1	Jet-Main (High Altitude)
③125	697190	1	Carburetor
③127	695005	1	Plug-Welch
③130	691750	1	Valve-Throttle
③131	494379	1	Throttle Shaft Kit
③133	494381	1	Float-Carburetor
⑤⑥137	281165	1	Gasket-Bowl, Float
⑤			
③141	495097	1	Choke Shaft Kit
③141A	495931	1	Choke Shaft Kit
⑤③142	697140	1	Nozzle-Carburetor

Ref	Part No.	Qty.	Description
③186	698174	1	Connector-Hose
⑤⑥276	692255	1	Washer-Sealing
⑤			
⑤③634	690801	1	Spring / Seal ASM
⑤③634A	690802	1	Spring / Seal ASM
③654	690958	1	Nut
③692	690572	1	Spring-Detent
③947	694393	1	Solenoid-Fuel
③950	691657	1	Screw
③958	494768	1	Valve-Fuel Shut Off
③975	495933	1	Bowl-Float
⑤③987	691326	1	Seal-Shaft, Throttle
③1091	691333	1	Cap-Limiter



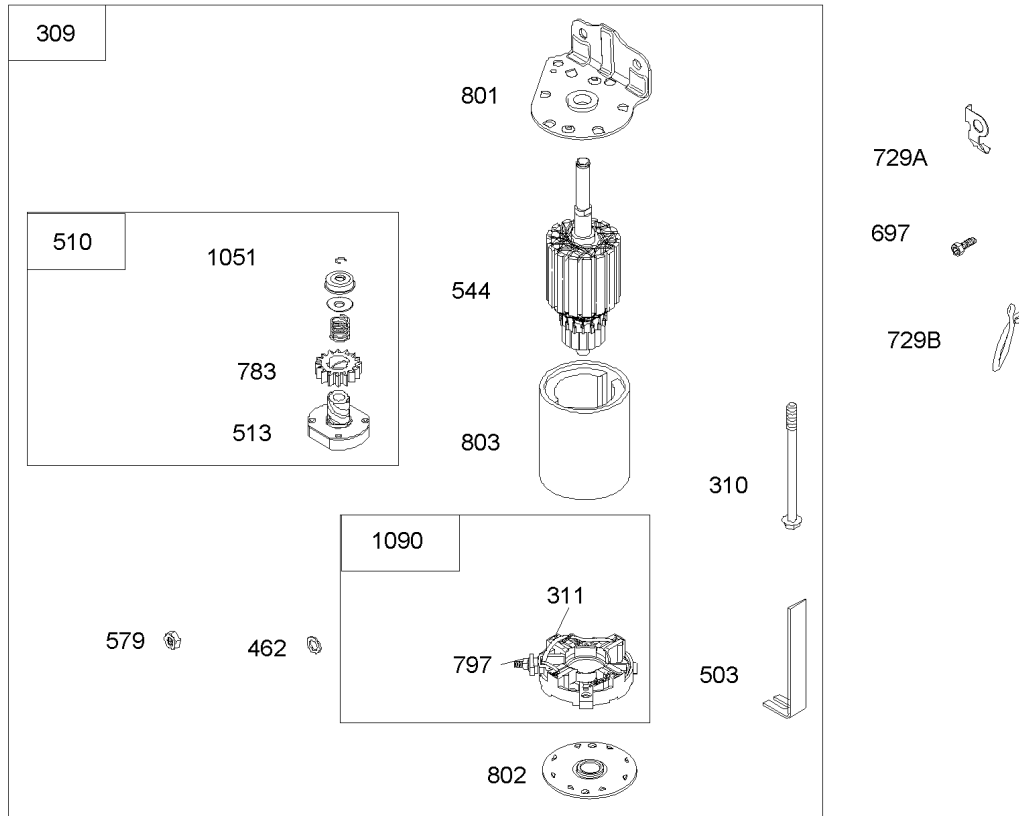
Assemblies include all parts shown in frames.

## Governor Assembly Briggs and Stratton 31G777-0121-E1

Ref	Part No.	Qty.	Description
③188	691693	1	Screw
③202	691841	1	Link-Governor, Mechanical
③209	691795	1	Spring-Governor
③216	691840	1	Link-Choke
③222	694042	1	Bracket-Control
③227	691374	1	Lever-Control, Governor
③232	691842	1	Spring-Link, Governor
③265	691024	1	Clamp-Casing
③267	690804	1	Screw-Casing Clamp
③333	492341	1	Armature-Magneto
③334	691061	1	Screw
③356	697089	1	Stop-Wire
③431	697122	1	Elbow-Intake
③474	696457	1	Alternator
③501	691188	1	Regulator
③505	691251	1	Nut
③521	690581	1	Shield-Cable
③526	697088	1	Screw
③562	691119	1	Screw
③613	698941	1	Screw-Exhaust
③729	691335	1	Clip-Wire
③789	692037	1	Wiring-Harness
③851	692424	1	Terminal-Spark Plug
③883	692236	1	Gasket-Exhaust

Ref	Part No.	Qty.	Description
③1059	698516	1	Screw / Washer Kit
③1119	691183	1	Screw
③③1266	691917	1	Seal-O Ring
③③1266A	697123	1	Seal-O Ring

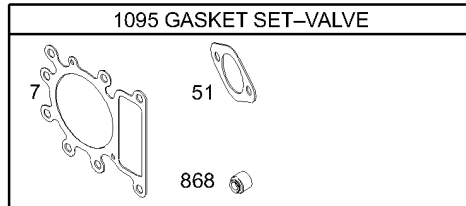
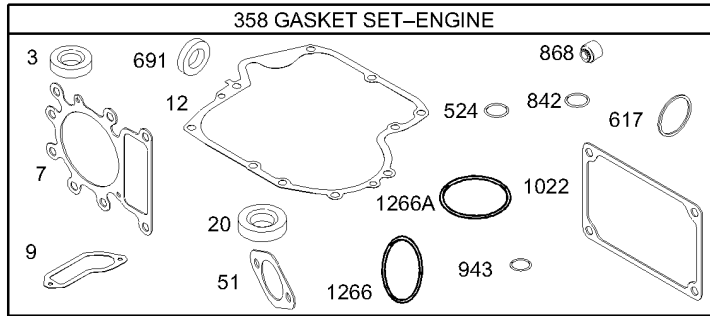




Assemblies include all parts shown in frames.

## Starter Assembly Briggs and Stratton 31G777-0121-E1

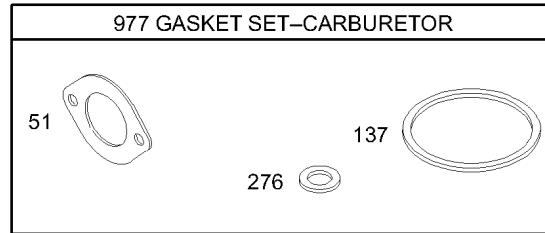
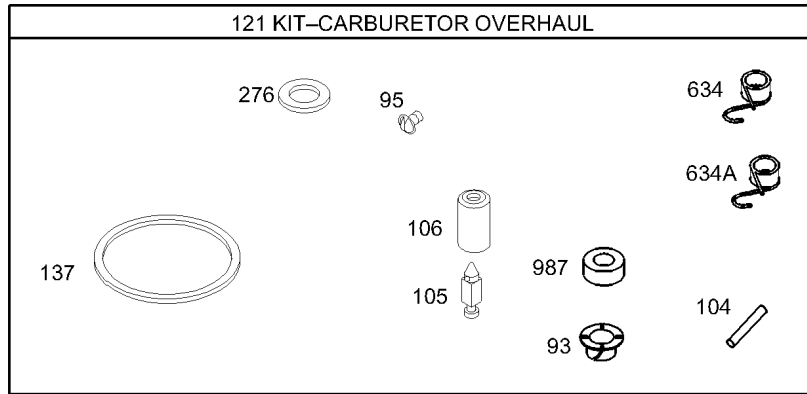
Ref	Part No.	Qty.	Description
309	693551	1	Motor-Starter
310	690323	1	Bolt
311	497608	1	Brush Set
462	691261	1	Washer
503	691532	1	Strap-Starter
510	693699	1	Drive-Starter
513	692024	1	Clutch-Drive
544	692034	1	Armature-Starter
579	691029	1	Nut
697	690372	1	Screw
729A	691224	1	Clip-Wire
729B	694123	1	Clip-Wire
783	693713	1	Gear-Pinion
797	693167	1	Nut
801	691283	1	Cap-Drive
802	691286	1	Cap-End
803	693757	1	Housing-Starter
1051	691265	1	Ring-Retaining
1090	691293	1	Retainer-Brush



Assemblies include all parts shown in frames.

## Gasket Assembly Briggs and Stratton 31G777-0121-E1

Ref	Part No.	Qty.	Description
333	391086	1	Seal-Oil
347 3	692410	1	Gasket-Cylinder Head
339	697109	1	Gasket-Breather
3312	697110	0	Gasket-Crankcase
3320	690947	1	Seal-Oil
3451 56	692137	1	Gasket-Intake
3358	697191	1	Gasket Set-Engine
35617 3	692138	1	Seal
33524	691032	1	Seal
33691	692407	1	Seal-Shaft, Governor
33842	691031	1	Seal, O-Ring
34868 3	690968	1	Seal-Valve
33943	690589	1	Seal-O Ring
331022	272475	1	Gasket-Cover, Rocker
31095	691581	1	Valve Gasket Set
351266 3	691917	1	Seal-O Ring
351266A 3	697123	1	Seal-O Ring



Assemblies include all parts shown in frames.

## Carburetor Overhaul Kit Assembly Briggs and Stratton 31G777-0121-E1

Ref	Part No.	Qty.	Description
③④51 ⑥③	692137	1	Gasket-Intake
⑤③93	690602	1	Bushing-Shaft, Throttle
⑤③95	691636	1	Screw
⑤③104	690525	1	Pin-Hinge, Float
⑤③105	231855	1	Valve-Needle, Float
⑤③106	691780	1	Seat-Inlet
③121	697884	1	Kit-Carburetor Overhaul
⑤⑥137 ③	281165	1	Gasket-Bowl, Float
⑤⑥276 ③	692255	1	Washer-Sealing
⑤③634	690801	1	Spring / Seal ASM
⑤③634A	690802	1	Spring / Seal ASM
③977	690192	1	Carburetor Gasket Set
⑤③987	691326	1	Seal-Shaft, Throttle

## NOTES

# NOTES

