



## 522 Power Throw<sup>®</sup> Snowthrower

Model No. 38605 - 270004505 and up.

### Parts Catalog

---

#### **Ordering Replacement Parts**

To order replacement parts, please supply the part number, the quantity, and the description of each part desired.

#### **Understanding Reference Numbers**

Each identified part in an illustration has a reference number. The reference number for a part also appears in the parts list, along with other information about the part.

This catalog uses two special reference number formats, one to indicate parts in a service assembly and another to indicate the quantity of a given part in an illustration.

#### **Service Assembly Reference Numbers**

Parts in service assemblies have reference numbers in the form a:b. The a represents the reference number of the entire service assembly and the b represents a sequential number unique to each part within the service assembly.

For example, a wheel assembly might be identified by reference number 6, the tire by 6:1, the valve by 6:2, and the wheel by 6:3. When you order the assembly identified by reference number 6, you receive all parts identified by reference numbers 6:1, 6:2, and 6:3. However, you may also order any part individually. Reference numbers of this type appear in illustrations and in part lists.

#### **Reference Numbers Indicating Quantity**

In an illustration, if a reference number indicates more than one part, the reference number has the form nX y. The n represents the quantity of the part, the X is the multiplication symbol, and the y represents the reference number.

For example, in an illustration, the reference number 2X 37 means that two of the parts identified by reference number 37 are indicated.

# Contents

Description	Page	Description	Page
Auger and Housing Assembly	..... 3	Engine Assembly No. 2 Tecumseh LH195SA - 67435V	..... 12
22 Inch Gear Case Assembly No. 37-6962	..... 4	Carburetor Assembly No. 640084B Tecumseh LH195SA - 67435V	..... 14
Frame Assembly	..... 5	Rewind Starter No. 590742 Tecumseh LH195SA - 67435V	..... 15
Drive Assembly	..... 6	Rewind Starter No. 590707 (Optional) Tecumseh LH195SA - 67435V	..... 16
Engine Assembly	..... 7	Electric Starter No. 33290E Tecumseh LH195SA - 67435V	..... 17
Handle and Control Assembly	..... 8	Attachments and Accessories List	..... 18
Control Assembly	..... 9		
Engine Assembly No. 1 Tecumseh LH195SA - 67435V	..... 10		

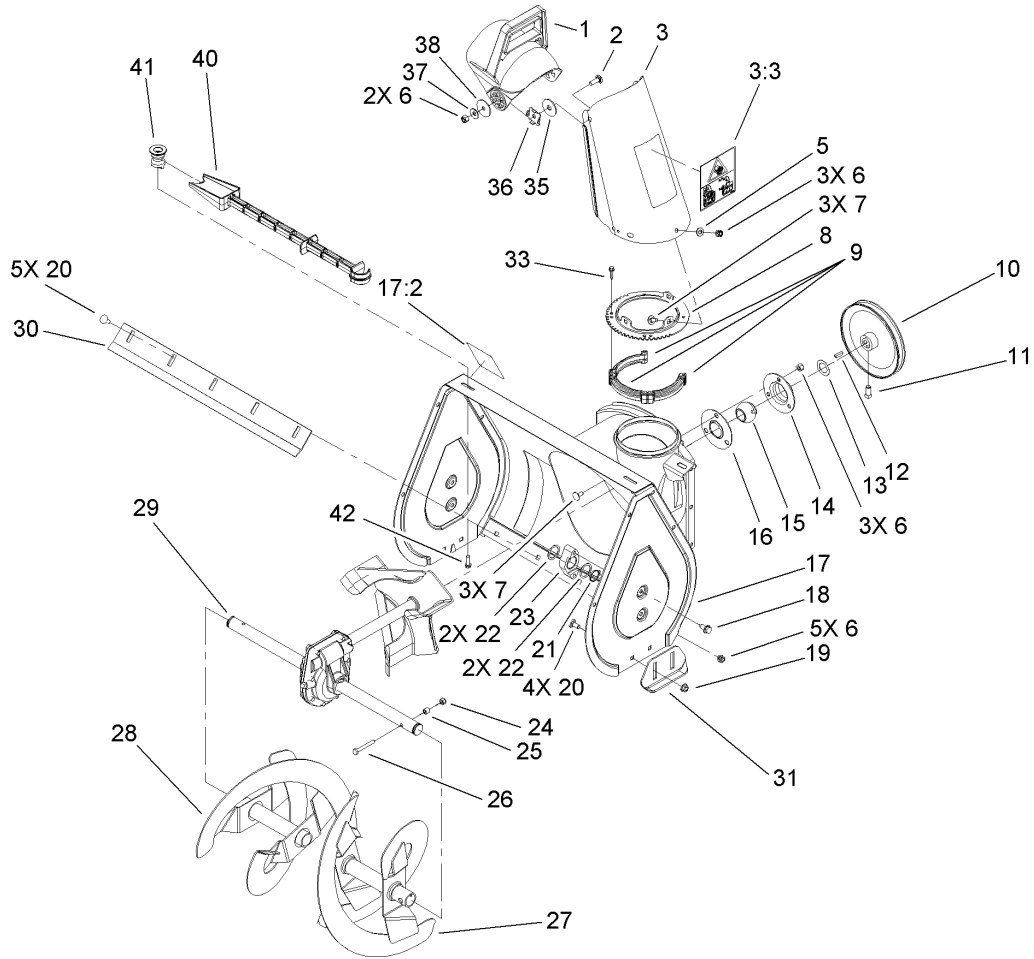
## Part Description Abbreviations

Part descriptions in this catalog may include the following abbreviations.

AR. .... as required	HYD. .... hydraulic
ASM. .... assembly	LH. .... left hand
BBC. .... blade brake clutch	NI. .... nylon insert
CARR. .... carriage	NPTF. .... national pipe thread fine
DEG. .... degrees	PFH. .... phillips flat head
EXT. .... external	PPH. .... phillips pan head
FH. .... flat head	PPHTF. .... phillips pan head thread forming
GA. .... gauge	PRH. .... phillips round head
HD. .... heavy-duty	PTH. .... phillips truss head
HF. .... hex flange	PTO. .... power-take-off
HH. .... hex head	RH. .... right hand
HHF. .... hex head flange	ROPS. .... roll-over protection system
HHFTF. .... hex head flange thread forming	SFH. .... slotted fillister head
HJ. .... hex jam	SHH. .... slotted hex head
HLH. .... hex lag head	SHWH. .... slotted hex washer head
HOC. .... height-of-cut	SPH. .... slotted pan head
HSBH. .... hex socket button head	SQH. .... square head
HSFH. .... hex socket flat head	SRH. .... slotted round head
HSH. .... hex socket head	STD. .... standard
HWH. .... hex washer head	TAP. .... self tapping
HWHTF. .... hex washer head thread forming	TTH. .... torx truss head

## Footnotes

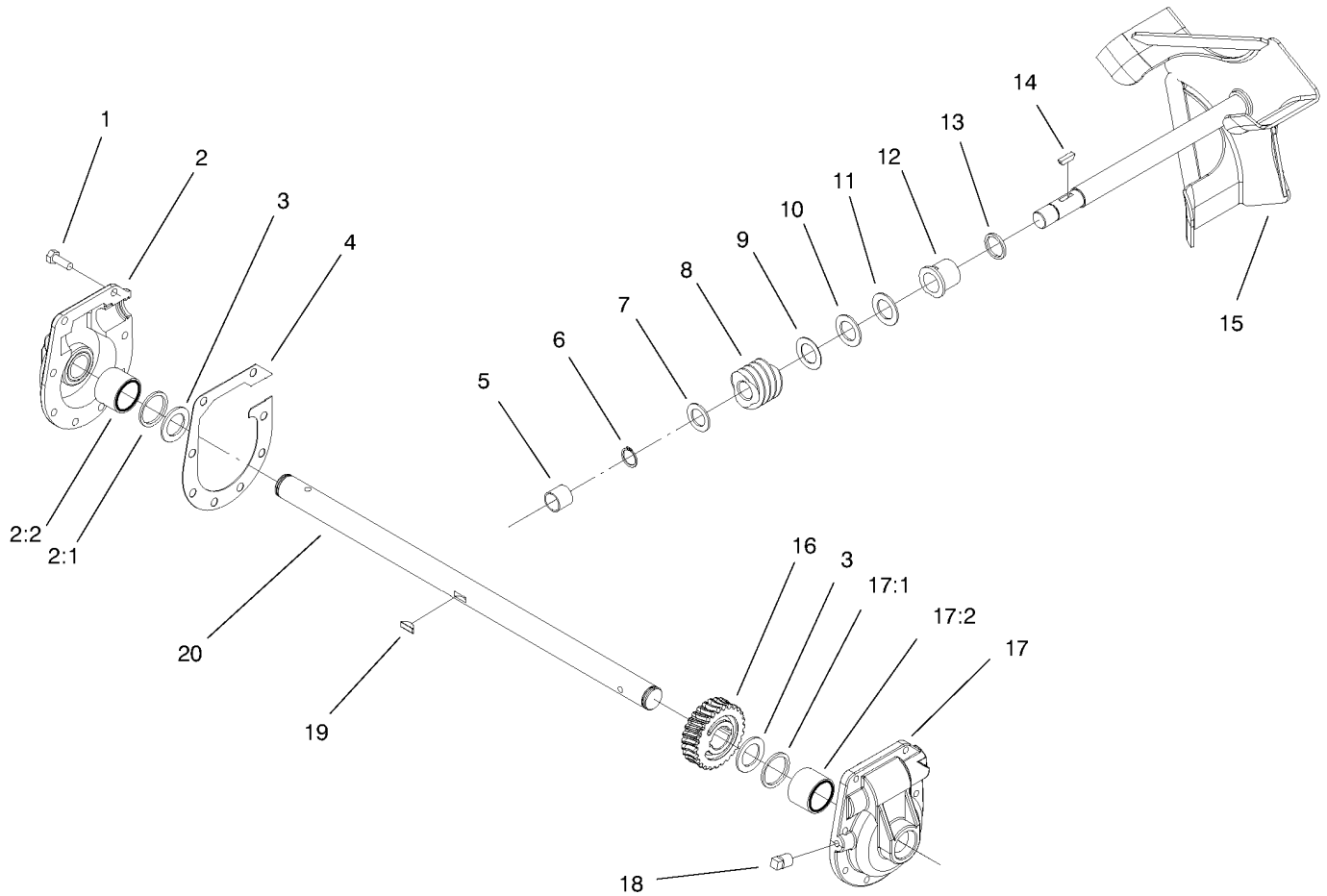
- |  |                                  |
|--|----------------------------------|
| ❶ Not illustrated                        | ❷ Not serviced separately        |
| ❸ Obtain from your local Tecumseh dealer | ❹ Included in Repair Kit 632760B |
| ❺ Included in Gasket Set 36444           |                                  |



## Auger and Housing Assembly

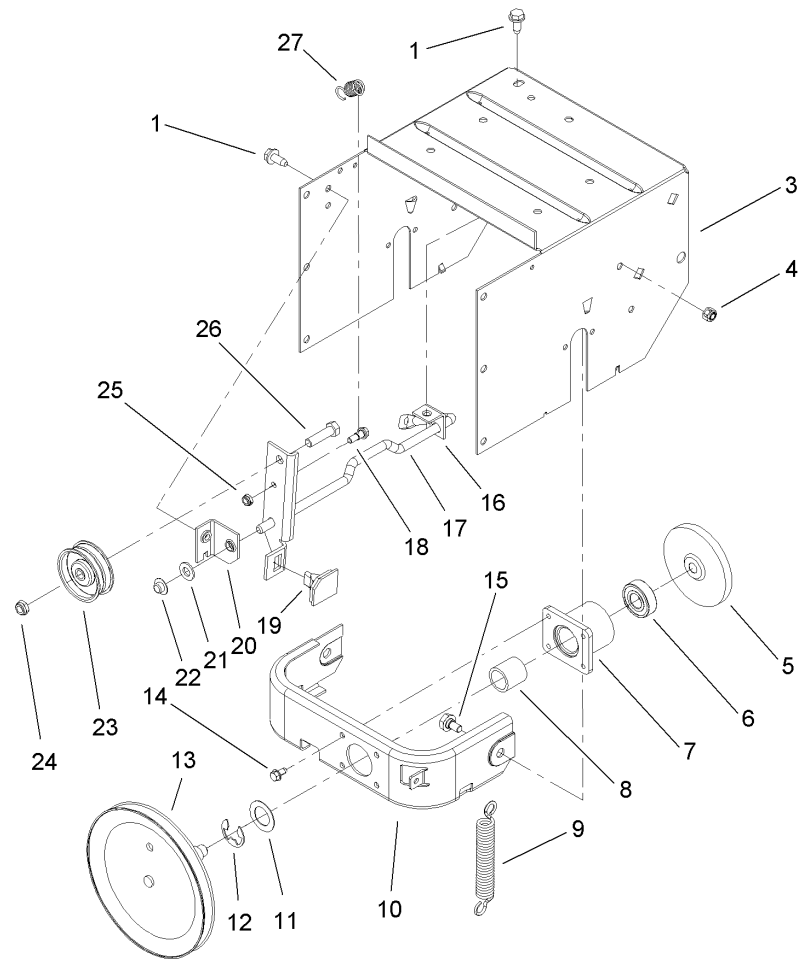
Ref	Part No.	Qty.	Description
1	56-2680	1	Chute-Deflector
2	3230-22	2	Screw-CARR
3	112-6604	1	Chute W/Decal ASM
3:3	112-6634	1	Decal-Discharge Danger
5	3256-23	3	Washer-Flat
6	3296-29	13	Nut-Lock, NI
7	3230-18	6	Screw-CARR
8	37-8941-03	1	Ring-Chute
9	37-6490	3	Ring-Chute, Retainer
10	37-6890	1	Pulley
11	3242-4	2	Screw-Set, SQH
12	3257-23	1	Key-Woodruff
13	3-0737	1	Washer
14	26-6110	1	Flange-Cup, Bearing
15	63-3450	1	Bearing-Ball
16	26-6120	1	Flange-Cup, Bearing
17	112-6640	1	Auger Hsg ASM
17:2	53-7670	1	Decal-Warning, Auger
18	32144-70	4	Screw-HWHTF
19	32128-20	4	Nut-HF
20	3230-1	9	Bolt-CARR
21	32151-36	2	Ring-Retaining
22	5-1550	4	Washer
23	37-6550	2	Bearing-Auger

Ref	Part No.	Qty.	Description
24	3296-42	2	Nut-Lock, NI
25	66-8010	2	Spacer-Hub, Impeller
26	321-11	2	Screw-HH
27	98-2271-03	1	Auger-LH
28	98-2270-03	1	Auger-RH
29	37-6962	1	22 Inch Gear Case ASM
30	100-3554-01	1	Blade-Scraper
31	40-8160-01	2	Skid
33	27-0220	6	Screw-Special
35	20-4320	2	Washer-Rubber
36	55-8950	2	Plate-Friction
37	3290-456	2	Washer-Belleville
38	3256-68	2	Washer-Flat
40	110-3408	1	Stick-Cleanout
41	110-6275	2	Holder-Stick
42	46-8091	2	Screw-HWH



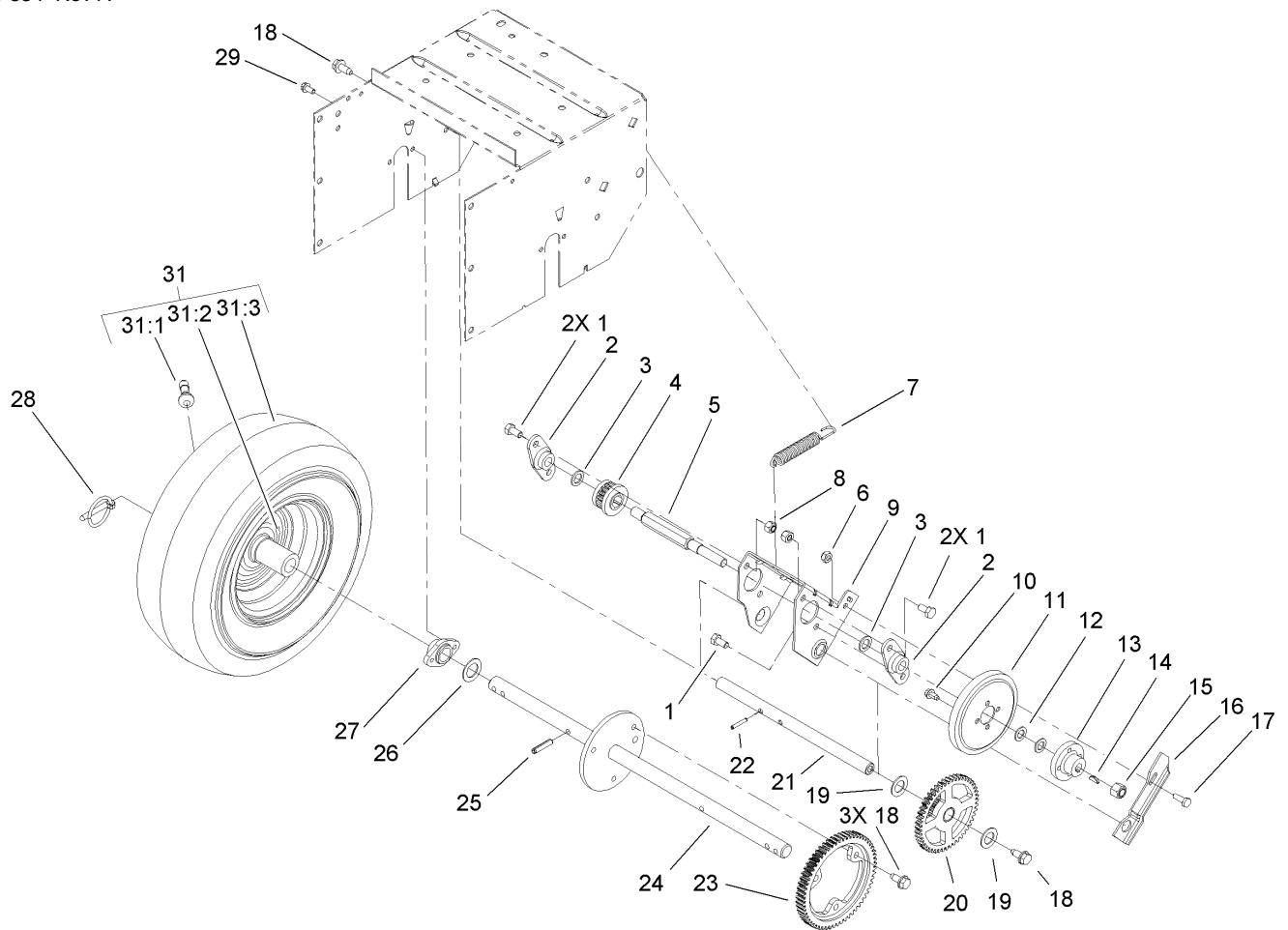
## 22 Inch Gear Case Assembly No. 37-6962

Ref	Part No.	Qty.	Description
1	32144-41	8	Screw-Taptite
2	14-2449	1	RH Bushing Case ASM
2:1	7-0045	1	Seal-Oil
2:2	256-237	1	Bushing
3	252-71	2	Washer-Thrust
4	51-0460	1	Gasket-Case, Gear
5	256-32	1	Bushing
6	32120-72	1	Ring-Snap
7	3-8664	1	Washer-Thrust
8	5-7170	1	Gear
9	252-80	1	Washer-Thrust
10	252-76	1	Bearing-Thrust
11	257-3	1	Washer-Thrust
12	37-6560	1	Bushing-Input
13	237-87	1	Ring-Quad
14	3257-23	1	Key-Woodruff
15	37-6990-03	1	Impeller Shaft ASM
16	5-7180	1	Gear-Worm, 27T
17	14-2459	1	LH Bushing Case ASM
17:1	7-0045	1	Seal-Oil
17:2	256-237	1	Bushing
18	281-1	1	Plug-Pipe, SQH
19	3257-33	1	Key-Woodruff
20	37-6802	1	Shaft-Auger

## Frame Assembly

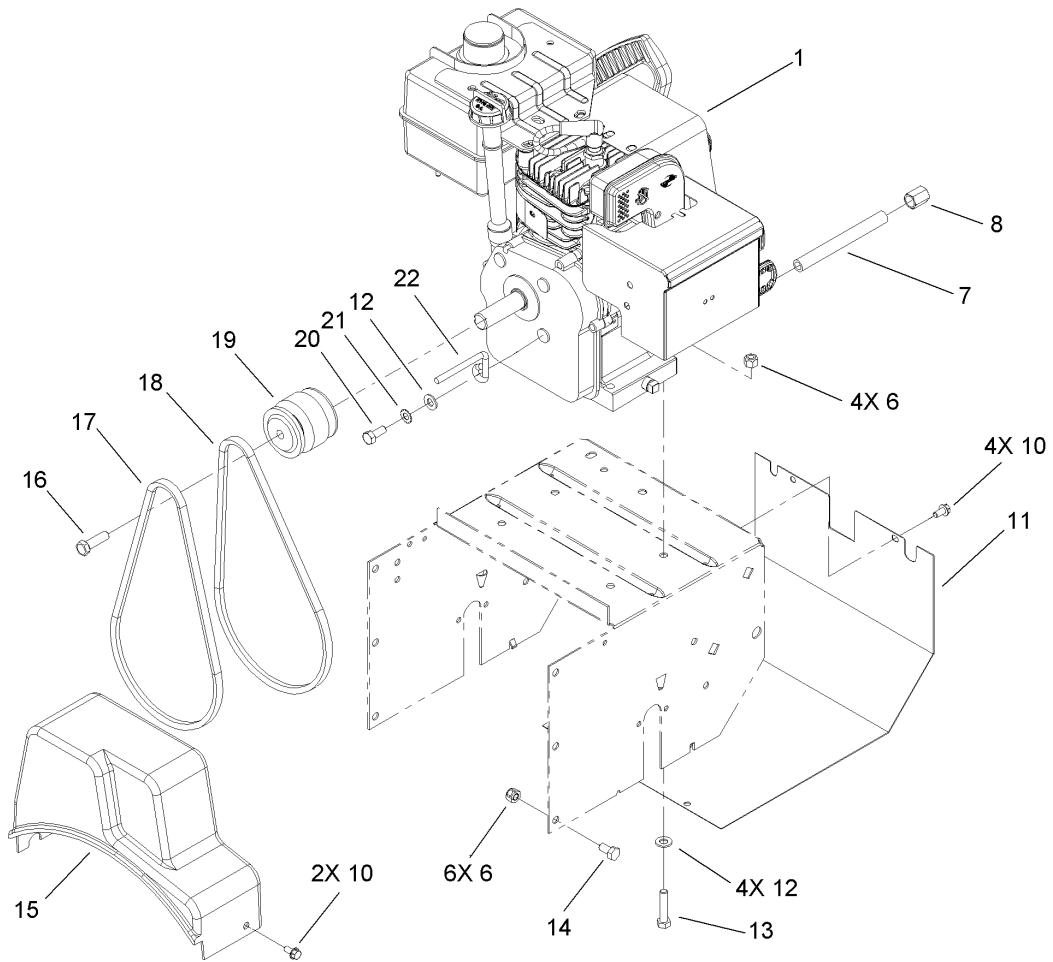
Ref	Part No.	Qty.	Description	Ref	Part No.	Qty.	Description
1	32144-70	2	Screw-HWHTF	26	323-29	1	Screw-HH
3	112-8109-01	1	Frame-Traction	27	53-7570	1	Spring
4	3296-29	2	Nut-Lock, NI				
5	38-0800	1	Plate-Friction				
6	100-1048	1	Bearing-Ball				
7	88-0560	1	Hub-Frame, Traction				
8	256-322	1	Bushing				
9	37-8870	1	Spring-Plate, Friction				
10	88-0550-03	1	Frame-Front				
11	252-80	1	Washer-Thrust				
12	32151-103	1	Ring-Snap				
13	88-0850	1	Pulley And Drive ASM				
14	32144-4	4	Screw-HWH				
15	37-8770	2	Bolt-Shoulder				
16	37-9070	1	Bracket-Mount, Rear				
17	40-6511-03	1	Auger Clutch Rod ASM				
18	42-3560	1	Bolt-Shoulder				
19	66-8060	1	Pad-Brake				
20	66-6790	1	Bracket-Mount, Front				
21	3256-24	1	Washer-Flat				
22	3290-320	1	Retainer-Push On				
23	3-4244	1	Pulley-Idler				
24	3296-59	1	Nut-Lock, NI				
25	3296-56	1	Nut-Lock, NI				



## Drive Assembly

Ref	Part No.	Qty.	Description
1	322-2	4	Screw-HH
2	20-1620	2	Bearing-Wheel, Friction
3	5-7570	2	Washer-Flat
4	37-6500	1	Pinion
5	37-6780	1	Shaft-Wheel, Friction
6	3296-16	1	Nut-Lock, NI
7	37-8880	1	Spring-Traction
8	3296-29	4	Nut-Lock, NI
9	39-1230	1	Bracket-Sliding
10	32144-4	4	Screw-HWH
11	37-6570	1	Wheel-Friction
12	36-4790	2	Washer-Thrust
13	39-1520	1	Hub-Wheel, Friction
14	3257-24	1	Key-Woodruff
15	3296-48	1	Nut-Lock, NI
16	39-1250	1	Cam-Receiver
17	321-4	1	Screw-HH
18	32144-70	5	Screw-HWHTF
19	10-9280	2	Washer-Special
20	37-9160	1	Internal Gear And Bushing ASM
21	37-6760	1	Shaft-Pivot
22	32121-45	2	Pin-Spring
23	37-6520	1	Gear-Axle
24	74-1350	1	Shaft-Axle

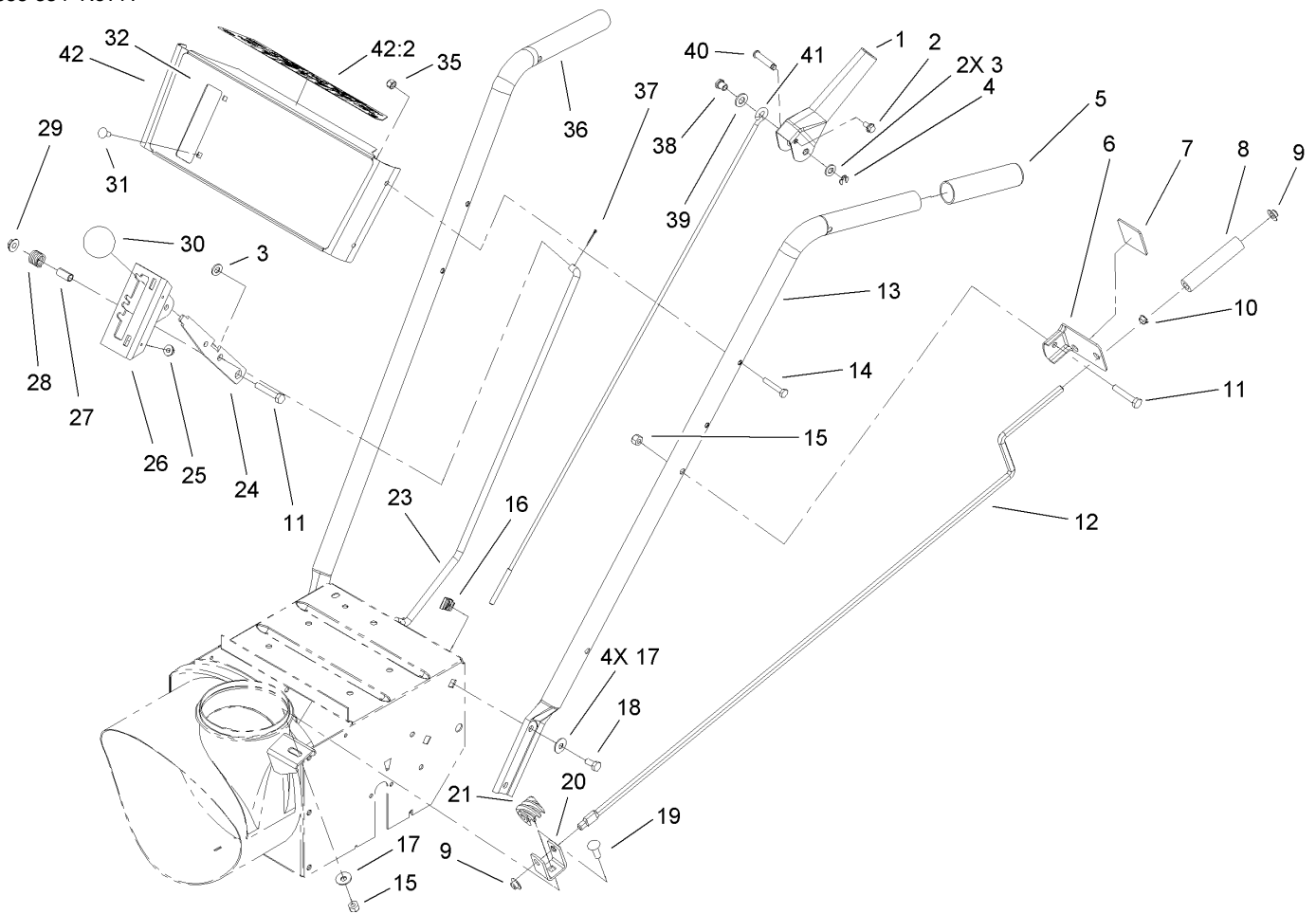
Ref	Part No.	Qty.	Description
25	32121-9	2	Pin-Roll, Slotted
26	3-8664	2	Washer-Thrust
27	37-6850	2	Bearing-Axle
28	3290-243	2	Pin-Lynch
29	32144-4	4	Screw-HWH
① 30		1	LH Wheel And Tire ASM
①30:1	232-27	1	Stem-Valve
①30:2	241-131	1	Rim-Wheel
①30:3	112-6609	1	Tire
②31		1	RH Wheel And Tire ASM
31:1	232-27	1	Stem-Valve
31:2	241-131	1	Rim-Wheel
31:3	112-6609	1	Tire



## Engine Assembly

Ref	Part No.	Qty.	Description
② ③ 1		1	Engine-Tecumseh, LH195Sa-67435V
6	3296-29	10	Nut-Lock, NI
7	289-34	1	Nipple-Pipe
8	288-2	1	Cap-Pipe
10	32144-4	6	Screw-HWH
11	37-6830-01	1	Cover-Traction, Lower
12	3256-23	5	Washer-Flat
13	322-7	4	Screw-HH
14	322-2	6	Screw-HH
15	37-6900	1	Cover-Belt
16	43-7290	1	Screw-Special
17	37-9080	1	V-Belt-29.50 Inch,
18	37-9090	1	V Belt-3L, Traction
19	43-7370	1	Pulley-Engine
20	3210-3	1	Screw-HH
21	3255-8	1	Washer-Lock
22	37-8990	1	Retainer-Belt
① 99	99-9300	1	Cord-Extension

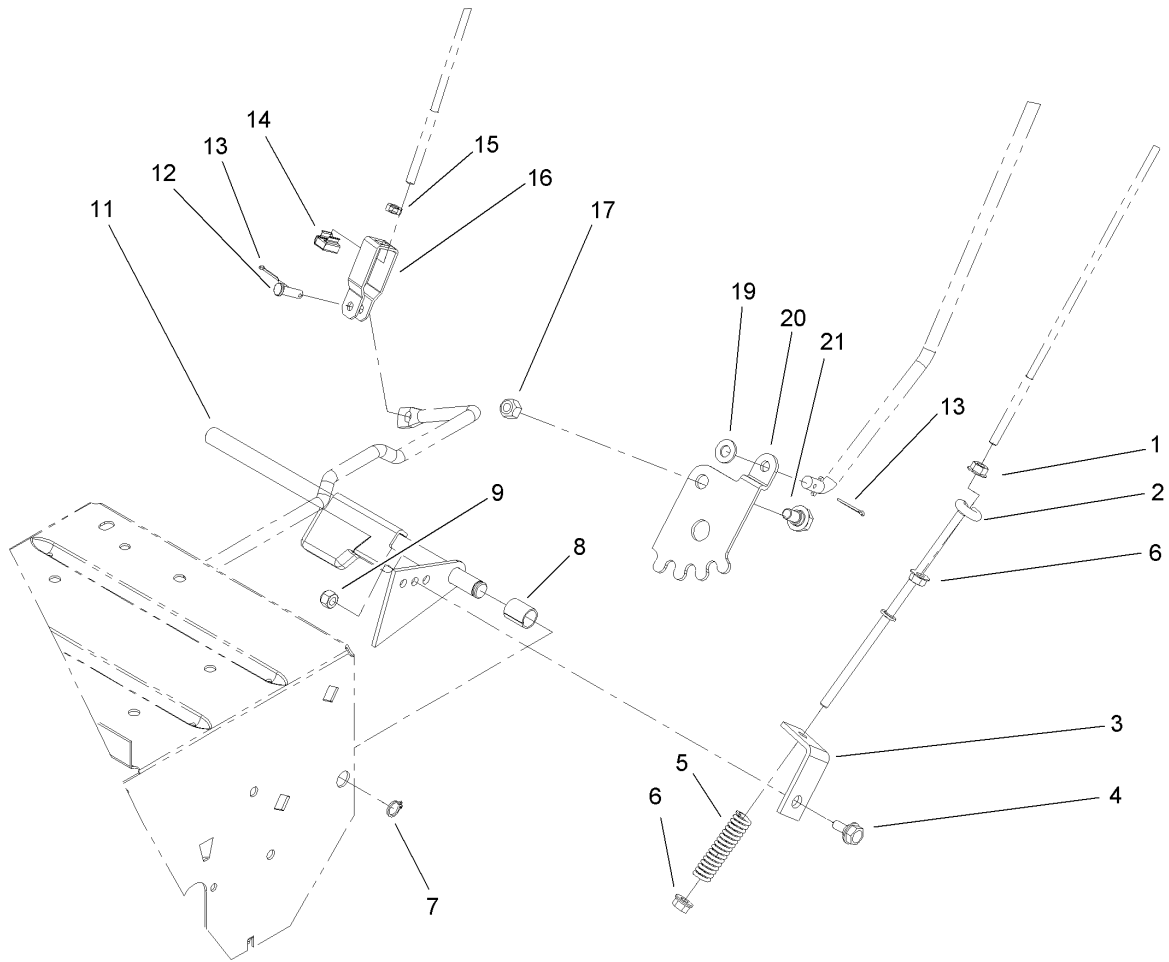
--	--	--	--



## Handle and Control Assembly

Ref	Part No.	Qty.	Description
1	94-8887-03	2	Handle-Control
2	3234-13	2	Screw-HHF
3	3256-23	3	Washer-Flat
4	32151-73	2	Ring-Clip
5	112-6615	2	Grip-Handle
6	25-6090	1	Bracket-Rod, Chute
7	63-3510	1	Decal-Chute Direction
8	40-8230	1	Grip-Control, Chute
9	3290-320	2	Retainer-Push On
10	256-249	1	Bushing
11	322-9	2	Screw-HH
12	40-8270	1	Rod-Control, Chute
13	110-6296-03	1	Handle-Left
14	321-9	4	Screw-HH
15	3296-29	2	Nut-Lock, NI
16	3290-196	4	Nut
17	3290-456	5	Washer-Belleville
18	322-2	4	Screw-HH
19	3230-22	1	Screw-CARR
20	40-8280	1	Bracket-Worm
21	40-8250	1	Gear-Worm, Chute
23	39-7570	1	Rod-Selector, Speed
24	37-8820-03	1	Selector-Speed
25	32128-33	2	Nut-HF

Ref	Part No.	Qty.	Description
26	39-1280-03	1	Mount-Selector, Speed
27	40-8130	1	Spacer
28	37-9150	1	Spring
29	32128-13	1	Nut-HF
30	233-21	1	Knob
31	3229-11	2	Screw-CARR
32	112-6636	1	Decal-Escutcheon
35	3296-42	4	Nut-Lock, NI
36	52-5561-03	1	Handle-Right
37	3272-4	1	Pin-Cotter
38	47-4990	2	Post-Mounting, Linkage
39	3256-24	2	Washer-Flat
40	52-5600	2	Pin-Lever, Control
41	52-5590	2	Link-Upper
42	112-6642	1	Escutcheon Panel ASM
42:2	112-6621	1	Decal-Escutcheon Back

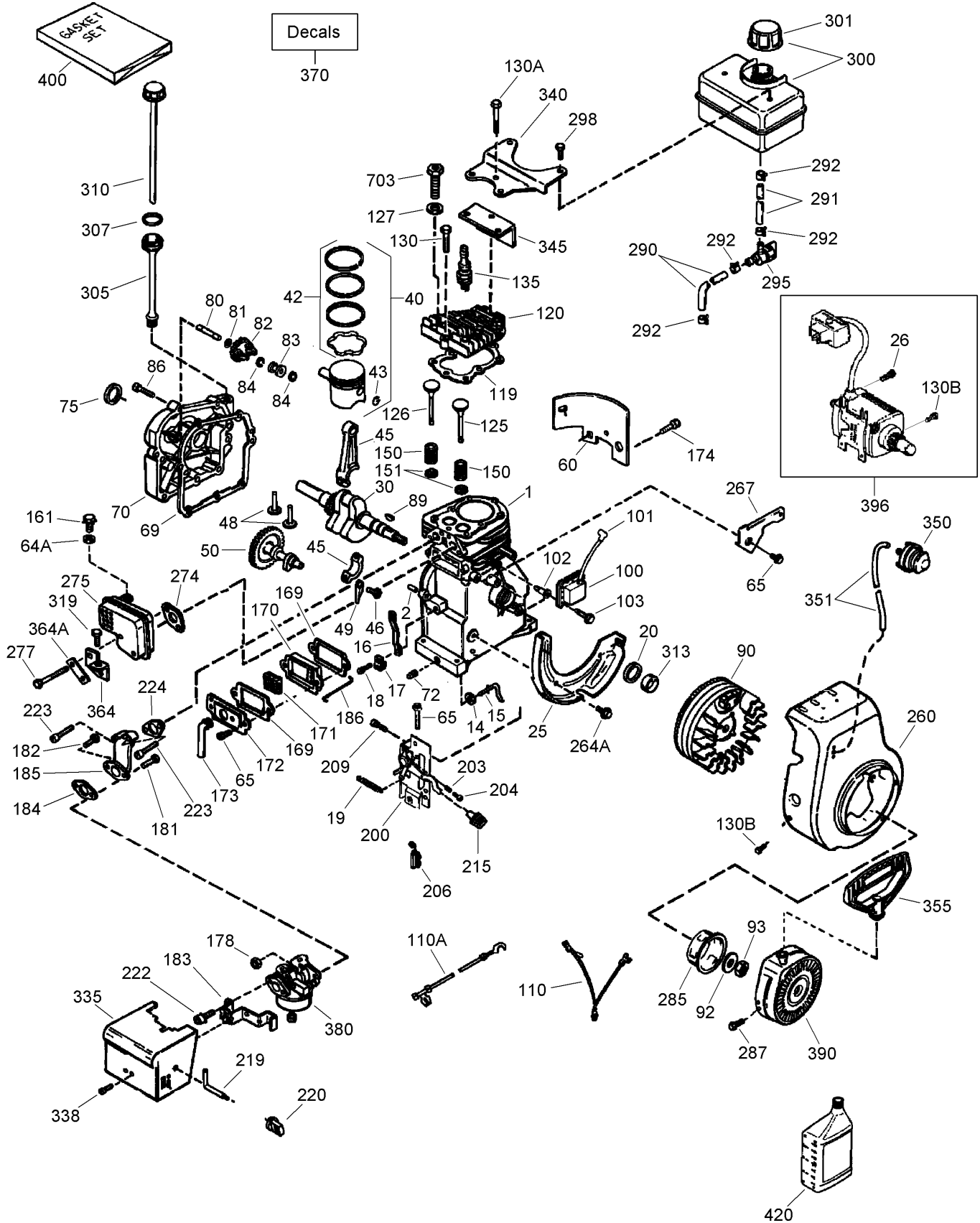


### Control Assembly

Ref	Part No.	Qty.	Description
1	32128-33	1	Nut-HF
2	39-3060	1	Rod-Traction, Lower
3	38-4490	1	Bracket-Traction
4	40-8350	1	Screw
5	38-4520	1	Spring
6	32128-32	2	Nut-HHF
7	32151-61	1	Ring-Retaining
8	40-9680	1	Spacer
9	3296-42	1	Nut-Lock, NI
11	43-7310-03	1	Traction Arm ASM
12	1-808265	1	Pin-Clevis
13	3272-4	2	Pin-Cotter
14	32115-5	1	Nut-Retained
15	3218-1	1	Nut-Jam
16	39-3080	1	Clevis
17	3296-29	1	Nut-Lock, NI
19	3256-23	1	Washer-Flat
20	37-8800	1	Gear-Quadrant
21	37-8770	1	Bolt-Shoulder


# Engine Assembly No. 1

## Tecumseh LH195SA - 67435V



# Engine Assembly No. 1

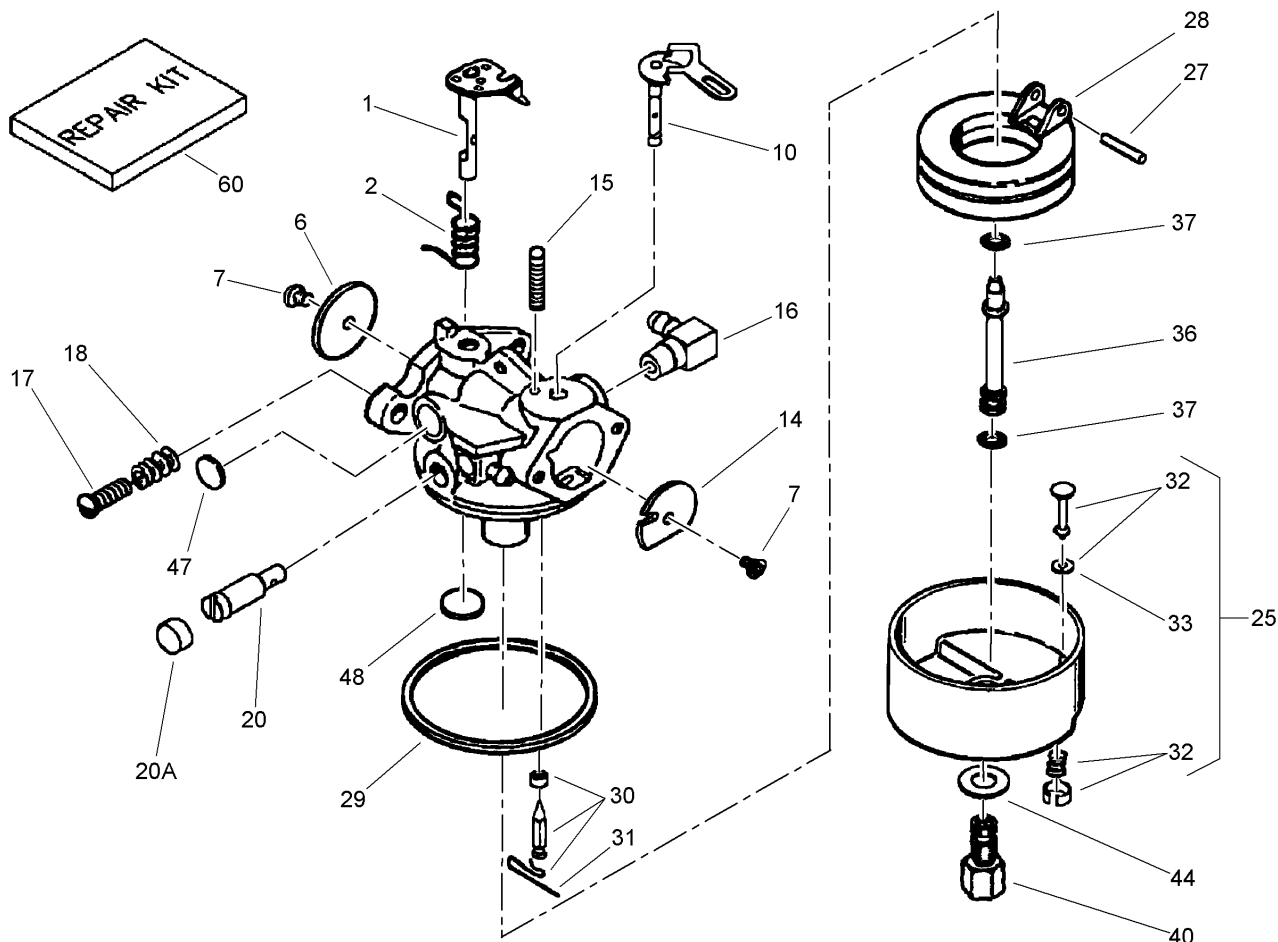
## Tecumseh LH195SA - 67435V

Ref	Part No.	Qty.	Description	Ref	Part No.	Qty.	Description
①	36469A	1	Cylinder ASM (Includes 2, 20, 72, 125)	①110A	36874	1	Wire-Ground (Green, 5.5)
②	26727	2	Pin-Dowel	①119	36443	1	Gasket-Cylinder Head
③14	28277	1	Washer-Flat	①120	37675	1	Head-Cylinder (Includes 130A)
③15	31334	1	Rod-Governor	①125	36471	1	Valve-Exhaust (STD) (Includes 151)
③16	37729	1	Chute Idler Arm ASM (W/Bushings)	①125	36472	1	Valve-Exhaust (1/32 O S) (Includes 151)
③17	31335	1	Clamp-Lever, Governor	①126	32644A	1	Valve-Intake (STD) (Includes 151)
③18	651018	1	Screw (T-15, 8-32 X 19/64)	①126	32645A	1	Valve-Intake (1/32 O S) (Includes 151)
③19	31426	1	Spring-Extension	①127	650691	1	Washer
③20	32600	1	Seal-Oil	①130	6021A	2	Screw (5/16-18X1-1/2)
③25	36552	1	Baffle-Blower Housing (Includes 262)	①130A	650694A	5	Screw, 5/16-18 X 2In
③26	650561	2	Screw (1/4-20X19/32)	①130B	650737	2	Screw (1/4-20 X 1/2)
③30	34740	1	Crankshaft ASM	①135	35395	1	Spark Plug-Resistor (R J19 L M)
③40	40004	1	Piston, Pin And Ring Set (STD) (Includes 41, 42, 43)	①150	31672	2	Spring-Valve
③40	36075	1	Piston, Pin And Ring Set (.020 O S)	①151	31673	2	Cap-Valve, Spring
③40	40005	1	Piston, Pin And Ring Set (.010 O S) (Includes 41, 42, 43)	①161	30063	1	Screw (T-30 1/4-20X1/2)
③42	36077	1	Ring Set (.010 O S)	①169	27234A	2	Gasket-Valve Cover
③42	36076	1	Ring Set (STD)				
③42	40006	1	Ring Set (STD)				
③42	36078	1	Ring Set (.020 O S)				
③43	20381	2	Ring-Retaining, Piston Pin				
③45	32875A	1	Connecting Rod ASM (Includes 46, 49)				
③46	32610A	2	Bolt-Rod, Connecting				
③48	27241	2	Lifter-Valve				
③49	32654	1	Dipper-Oil				
③50	33158	1	Camshaft				
③60	29745	1	Extension-Blower				
③64A	8345	1	Washer				
③65	30200	1	Screw (10-24 X 9/16)				
③69	27677A	1	Gasket-Cylinder Cover				
③70	34674C	1	Cover-Cylinder (Includes 75 - 80)				
③72	27642	3	Plug-Drain, Oil (SQH 1/4-18)				
③75	27897	1	Seal-Oil				
③80	30574A	1	Shaft-Governor				
③81	30590A	1	Washer-Flat				
③82	30591	1	Governor Gear ASM (Includes 81)				
③83	30588A	1	Spool-Governor				
③84	29193	1	Ring-Retaining				
③86	650488	7	Screw (1/4-20 X 1-1/4)				
③89	610961	1	Key-Flywheel				
③90	611199	1	Flywheel (W/Ring Gear)				
③92	650815	1	Washer-Belleville				
③93	650816	1	Nut-Flywheel				
③100	34443C	1	Ignition-Solid State				
③101	610118	1	Cover-Spark Plug				
③102	651024	2	Stud-Mounting, Solid State				
③103	651007	2	Screw (T-15, 10-24 X 15/16)				
③110	35182	1	Wire-Ground				



## Engine Assembly No. 2 Tecumseh LH195SA - 67435V

Ref	Part No.	Qty.	Description	Ref	Part No.	Qty.	Description
③170	27666	1	Body-Valve Cover	③364	33333	1	Bracket-Carburetor Cover
③171	31410	1	Element Breather	③364A	37673	1	Locking Plate
③172	34146	1	Cover-Breather	③370	37119	1	Decal-Warning (Bilingual)
③173	35350	1	Tube-Breather	③370	36534	1	Decal-Instruction
③174	650128	1	Screw (10-24X1/2)	③370	35282	1	Decal-Control
③178	29752	2	Nut And Lock Washer (1/4-28)	③370	36695	1	Decal-Tecumseh Logo For Top Of Recoil Starter
③181	650870	1	Screw (1/4-28 X 1-11/16)	③370	36501	1	Decal-Primer-International Symbol
③182	6201	1	Screw (1/4-28 X 7/8)	③380	640084B	1	Carburetor ASM (Includes 184)
③183	34583A	1	Bracket-Choke	③390	590742	1	Starter-Rewind
③⑤184	26756	1	Gasket-Carburetor To Intake Pipe	③396	33290E	1	Starter-Electric (110 Volt)
③185	33691	1	Pipe-Intake	③④400	36444	1	Gasket Set
③186	32698	1	Link-Governor To Throttle	③420	730226A	1	Oil-Engine, Sae 5W30
③200	36677	1	Control ASM (Includes 203, 204, 206, 209, 209A)	③703	650818	1	Screw ( 5/16-18 X 1-1/2)
③203	31342	1	Spring-Compression	①③704	754273C	1	Short Block Replacement
③204	651029	1	Screw (T-10, 5-40X7/16)				
③206	610973	2	Terminal				
③209		2	Rivet (Purchase Locally)				
③215	35440	1	Knob-Control				
③219	34582	1	Rod-Choke				
③220	35438	1	Knob-Control				
③222	28820	2	Screw (10-32 X 1/2)				
③223	650664	2	Screw (1/4-20 X 1-19/32)				
③⑤224	33673A	1	Gasket-Intake				
③260	35656A	1	Housing-Blower				
③264A	650802	2	Screw (1/2-20X5/8)				
③267	34212	1	Bracket-Hold Down				
③⑤274	33670A	1	Gasket-Exhaust				
③275	35771A	1	Muffler (Includes 274)				
③277	792005	2	Screw (1/4-20 X 2-1/2)				
③285	36467B	1	Cup-Starter				
③287	650926	2	Screw (8-32 X 21/64)				
③290	37963	1	Line-Fuel, Low Permeation (16.0)				
③291	37962	1	Line-Fuel, Low Permeation (8.62)				
③292	26460	4	Clamp-Line, Fuel				
③295	35857	1	Valve-Shut Off, Fuel (Includes 292)				
③298	650665	2	Screw (1/4-15X7/8)				
③300	35584	1	Tank-Fuel (Includes 292, 301)				
③301	37845	1	Cap-Fuel (Red Plastic) (1-1/2 Id)				
③305	35554	1	Tube-Fill, Oil				
③307	35499	1	O-Ring				
③310	35556	1	Dipstick				
③313	34080	1	Spacer				
③319	650735	1	Screw (10-24 X 3/8)				
③335	35072A	1	Carburetor Cover				
③338	650257	2	Screw				
③340	36247	1	Plate-Fuel Tank				
③345	33344	1	Baffle-Heat				
③350	570682A	1	Primer ASM				
③351	32180C	1	Line-Primer				
③355	590574	1	Handle-Starter, Mitten Grip				



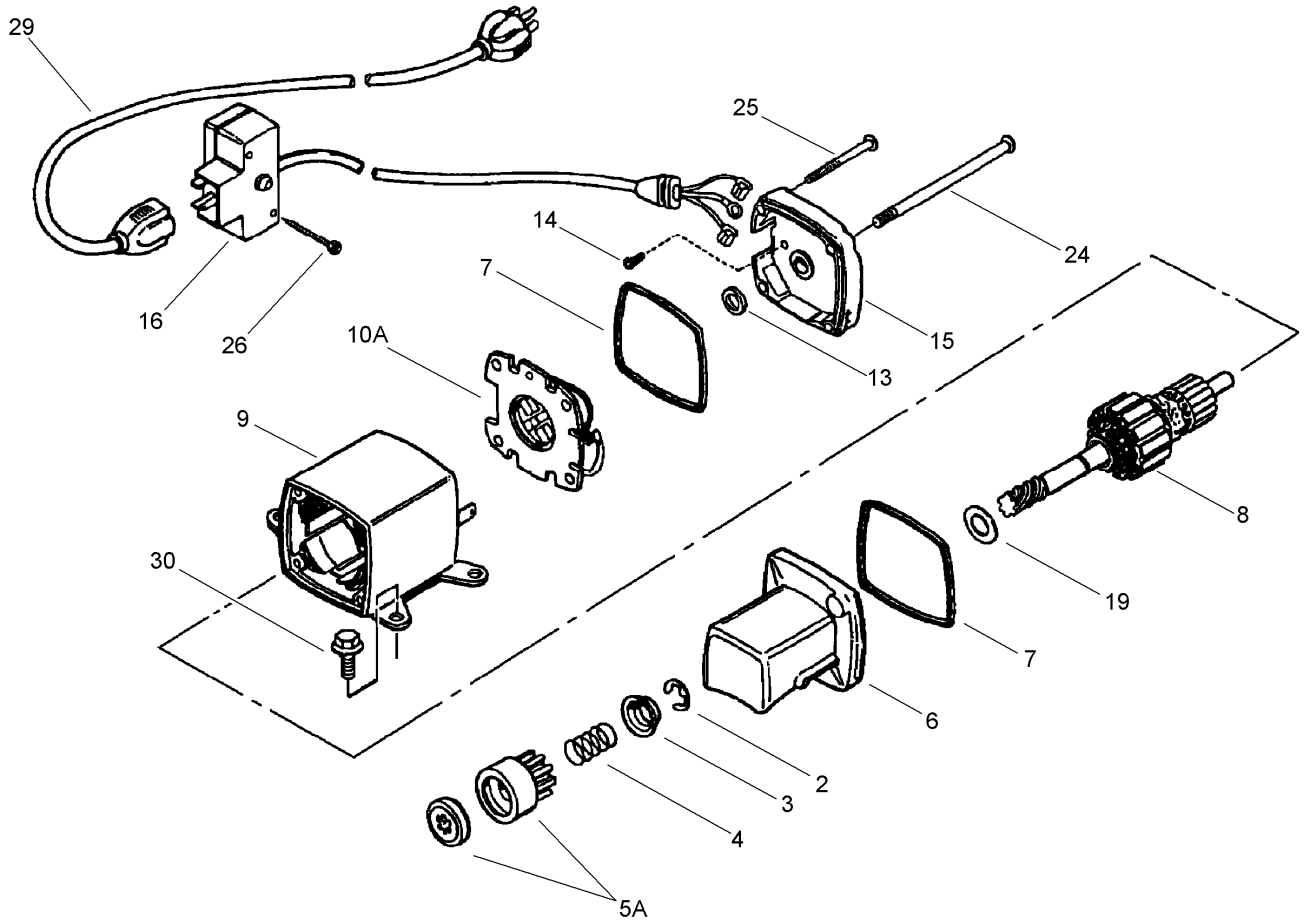
## Carburetor Assembly No. 640084B Tecumseh LH195SA - 67435V

Ref	Part No.	Qty.	Description
③④0	640084B	1	Carburetor (Includes 184)
③①	631615	1	Throttle Shaft And Lever ASM
③②	631767	1	Spring-Return, Throttle
③⑥	640070	1	Shutter-Throttle
③④7	650506	2	Screw-Shutter
③⑩	632108	1	Shaft And Lever ASM
③⑭	631890	1	Shutter-Choke
③⑮	630735	1	Spring-Positioning, Choke
③⑯	631807	1	Fitting-Fuel
③⑰	651025	1	Screw-Throttle Crack And Idle Speed
③⑱	630766	1	Spring-Tension
③⑳	640027	1	Spring-Restrictor, Idle
③20A	640053	1	Cap-Screw, Idle Restrictor
③25	631867	1	Bowl-Float (No Drain)
③25	631951	1	Float Bowl ASM
③27	631024	1	Shaft-Float
③28	632802	1	Float (Plastic)
③29	631028	1	O-Ring-Bowl, Float
③30	631021A	1	Inlet Needle, Seat And Clip ASM
③31	631022	1	Clip-Spring
③32	27136A	1	Bowl Drain ASM
③33	27554	1	Gasket-Plunger, Drain
③36	632745	1	Tube-Nozzle, Main

Ref	Part No.	Qty.	Description
③37	632547	2	O-Ring-Nozzle Tube, Main
③40	640131	1	Nut-Bowl, High Speed
③44	27110A	1	Washer-Nut, Bowl
③47	630748	1	Plug-Welch, Idle Mixture Well
③48	631027	1	Plug-Welch, Atmospheric Vent
③60	632760B	1	Repair Kit







## Electric Starter No. 33290E Tecumseh LH195SA - 67435V

Ref	Part No.	Qty.	Description
●30	33290E	1	Starter-Electric (110 Volt)
●2	31749	1	Retainer-Ring
●3	33522	1	Retainer-Spring
●4	33769	1	Spring-Anti Drift
●5A	37332	1	Nut And Gear ASM (Includes 2)
●6	35461	1	Drive End Cap ASM (Includes 7)
●7	35450	2	O-Ring
●8	35912	1	Armature
●9		1	Housing ASM (Must Purchase Complete Motor)
●10A	35452A	1	Brush Card ASM
●13	590500	1	Washer-Thrust
●14	33441	1	Screw-Ground
●15	35453	1	Commutator End Cap ASM
●16	35454	1	Switch Box ASM
●19	35911	1	Washer-Thrust
●24	35462	2	Bolt-Case
●25	35456	1	Screw-Ground
●26	650819	2	Screw (6-32X2-1/2)
●26	651032	2	Screw (12-16 X 5/8)
●29	32450B	1	Cord-Extension (10-6)
●30	650759	3	Screw (T-30, 1/4-20 X 23/32)


# Attachments and Accessories

## For 38605 - 522 Power Throw Snowthrower

Product Name	Model/Part
22 Inch Drift Breaker .....	37-7022
Tire Chain Kit .....	56-2700
Snow Cab .....	88-0600

# NOTES

