



# Front Height Adjuster Kit

## For 66cm Heavy-Duty Rear Bagger Lawn Mowers

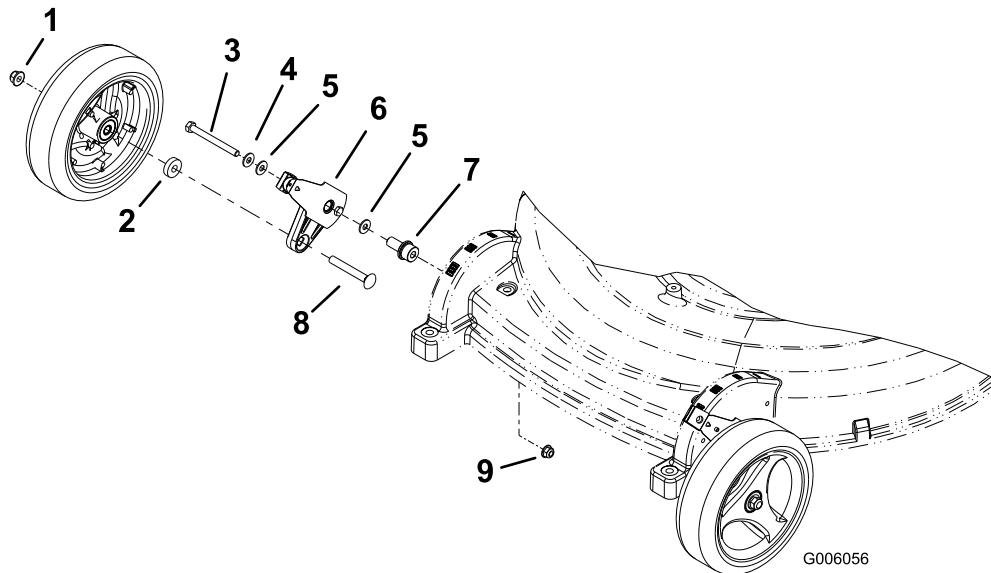
Model No. 112-9715

### Installation Instructions

#### Parts needed for this step:

2	Wheel pivot bushing (109-6041)
4	Nylon washer (77-0350)
2	Locknut (5/16-inch) (104-8300)
2	Flat washer (98-3499)

#### Procedure

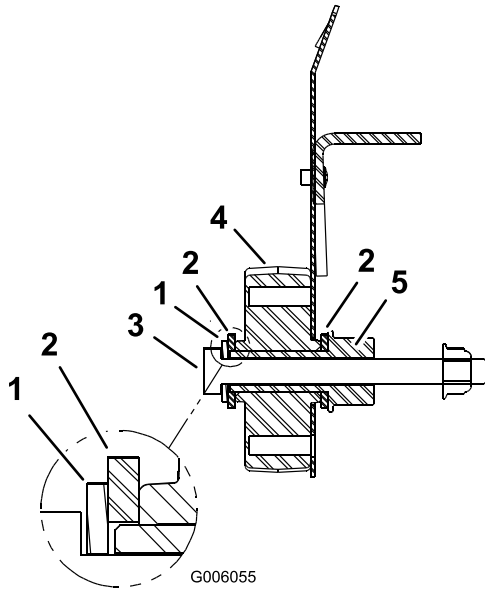


**Figure 1**

- |   |   |
|---|---|
| 1. Locknut (3/8 inch; not in kit)                 | 6. Pivot arm assembly (not in kit)            |
| 2. Wheel spacer (not in kit)                      | 7. Wheel pivot bushing                        |
| 3. Hex head screw (5/16 x 3-1/4 inch; not in kit) | 8. Wheel screw (3/8 x 2-1/2 inch; not in kit) |
| 4. Flat washer                                    | 9. Locknut (5/16 inch)                        |
| 5. Nylon washer                                   |   |

1. Remove the front wheels and save all the hardware.
2. Remove the pivot arm assemblies from the mower housing and discard the locknuts (5/16-inch) (Figure 1).
3. Disassemble the pivot arm assemblies, and discard the flat washers and the wheel pivot bushings.
4. Assemble the pivot arm assemblies (including the parts provided in the kit) as shown in Figure 1.
5. Install the updated pivot arm assemblies to the mower housing (Figure 1).

**Note:** When installing each nylon washer between the outer washer and the wheel pivot bushing, ensure that you do not pinch the nylon washer (Figure 2).



**Figure 2**

- |                        |                        |
|------------------------|------------------------|
| 1. Flat (outer) washer | 4. Pivot arm assembly  |
| 2. Nylon washer        | 5. Wheel pivot bushing |
| 3. Hex head screw      |                        |

**Note:** Torque the hex head screws and locknuts (5/16 inch) to 200 to 250 in-lb (22.6 to 28.2 N·m).

**Note:** If you cannot easily rotate a pivot arm assembly, loosen the bolt a quarter turn until you achieve the desired tension.

6. Install the front wheels using the locknuts (3/8 inch) that you previously removed (Figure 1).

**Note:** Torque the locknut (3/8 inch) on each wheel to 250 to 400 in-lb (28.2 to 45.2 N·m).