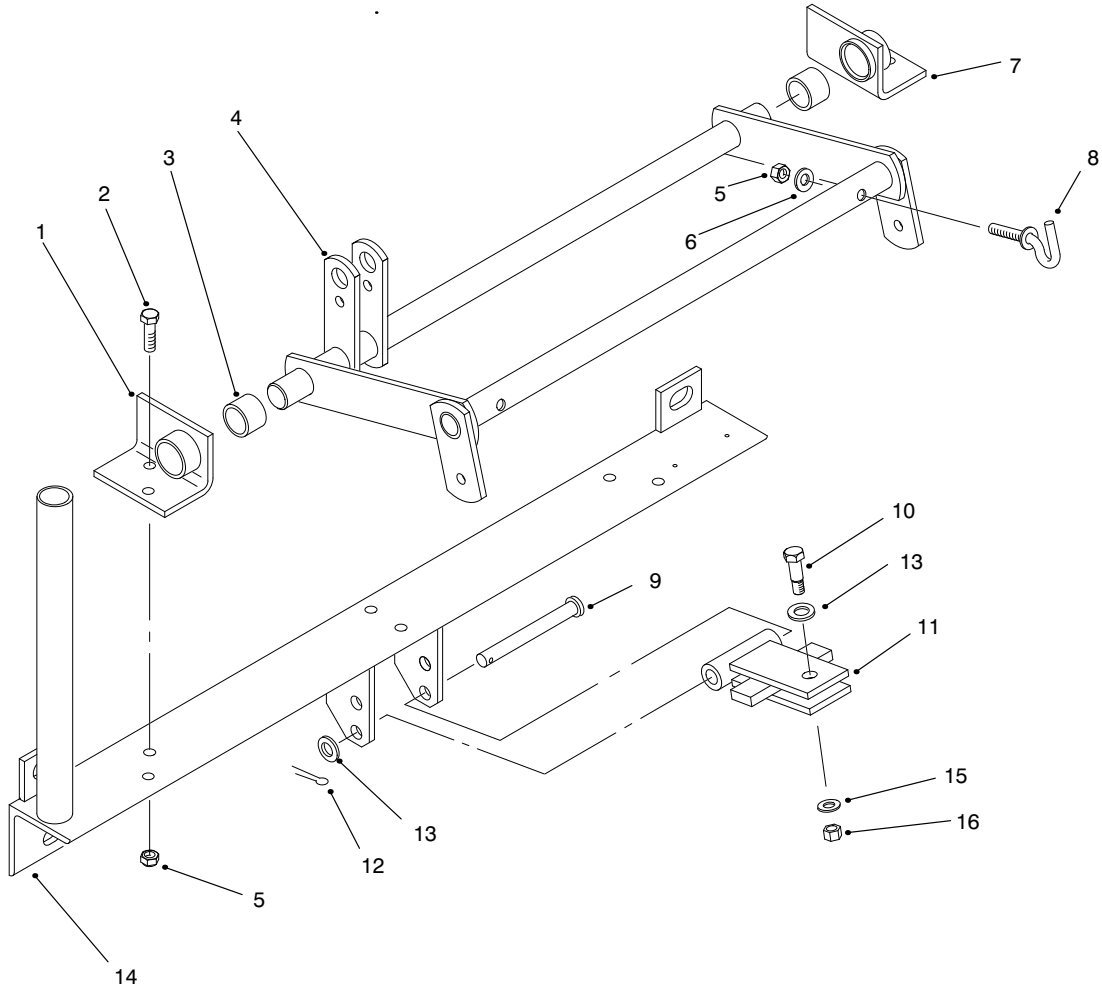




MODEL NO. 08814-10001 & UP	PARTS CATALOG
SAND PRO® RAKE MOUNTING KIT	



T-1346

HITCH AND LIFT ARM ASM

Ref. No.	Part No.	Description	No. Used
1	80-1680	Bracket-Pivot, LH (Incl. Ref. #3)	1
2	323-7	Screw-HH	4
3	256-234	Bushing	2
4	84-2420	Arm-Lift	1
5	3296-39	Nut-Lock	6
6	3256-3	Washer-Flat	2
7	80-1690	Bracket-Pivot, RH (Incl. Ref. #3)	1

Ref. No.	Part No.	Description	No. Used
8	80-2040	Hook	2
9	283-83	Pin-Clevis	1
10	80-2050	Bolt-Shoulder	1
11	84-2230	Pivot	1
12	3272-12	Pin-Cotter	1
13	3256-26	Washer-Flat	3
14	84-2620	Angle	1
15	3256-25	Washer-Flat	1
16	3296-48	Nut-Lock	1