



50in Recycler[®] Kit

For TimeCutter[®] Z4000/5000 Series Riding Mower

Model No. 79312

Installation Instructions

Installation

Loose Parts

Use the chart below to verify that all parts have been shipped.

Step	Description	Qty.	Use
1	No parts required	–	Prepare the mower.
2	Left baffle Right baffle Knob Curved washer	1 1 4 4	Install the upper baffle.
3	Kicker plate Phillips head screw (#8 x 5/8 inch)	3 6	Install the kicker plates.
4	Recycling decal	1	Install the decal.
5	Recycling mower blade	3	Install the blades and mower

Step

1

Preparing the Mower

No Parts Required

Procedure

1. Stop the engine and remove the ignition key.
2. Remove the mower as described in your *Operator's Manual*.
3. Turn the mower upside down.
4. Remove the mower blades as described in your *Operator's Manual*.

Step

2

Installing the Baffles

Parts needed for this step:

1	Left baffle
1	Right baffle
4	Knob
4	Curved washer

Procedure

1. Locate the four holes in the mower where the baffle mounting studs will mount (Figure 1) and remove any fasteners from them.
2. Install the left baffle into the deck securing the studs on the baffle from the top of the mower using 2 knobs and curved washers (cupped side facing the mower) as shown in Figure 1 and Figure 2.

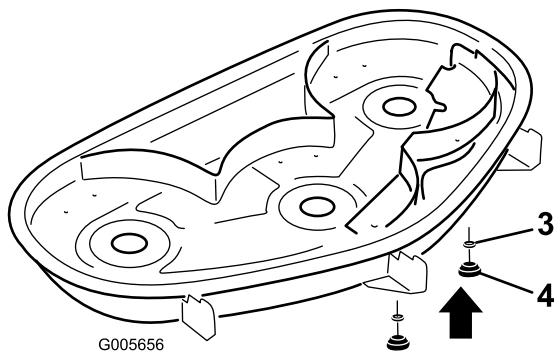
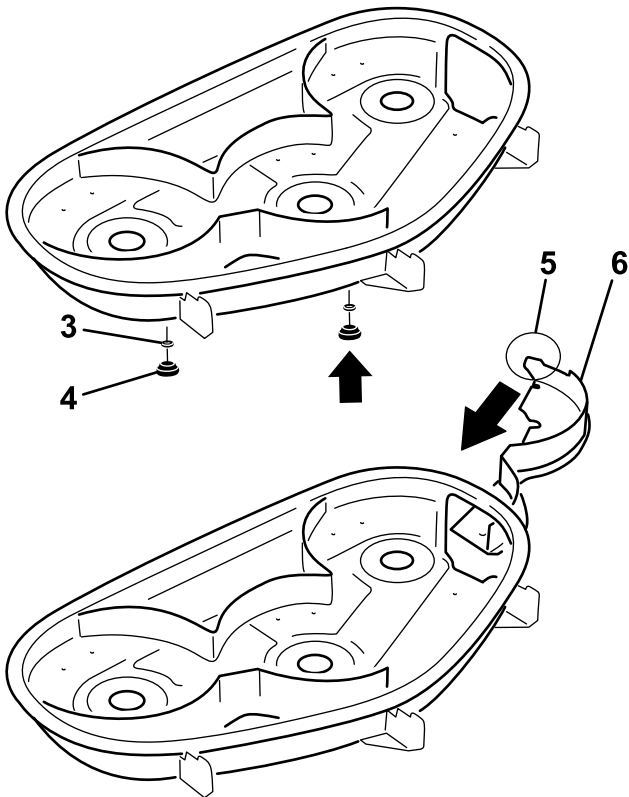
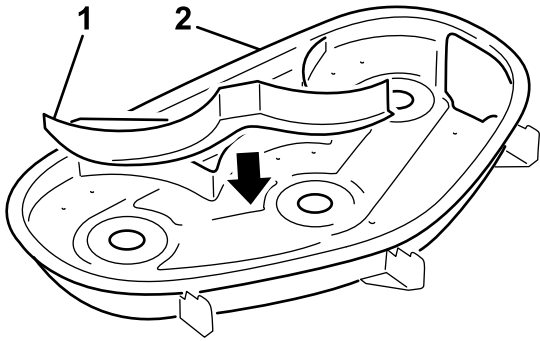


Figure 1

- | | |
|------------------|---|
| 1. Left baffle | 4. Knob |
| 2. Mower | 5. Tab (must remain outside of the mower) |
| 3. Curved washer | 6. Right baffle |

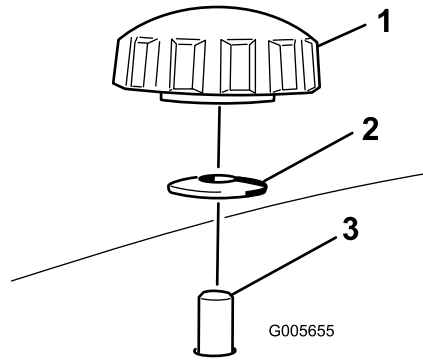


Figure 2

- | | |
|------------------|---|
| 1. Knob | 3. Baffle stud coming through the mower |
| 2. Curved washer | |

-
- Slide the right baffle through the discharge opening and secure it using 2 knobs and curved washers (cupped side facing the mower) as shown in Figure 1 and Figure 2.

Important: Ensure that the tab on the far right side of the right baffle is outside of the mower and is flush with the mower wall.

Step

3

Installing the Kicker Plates

Parts needed for this step:

3	Kicker plate
6	Phillips head screw (#8 x 5/8 inch)

Procedure

1. Align the three kicker plates with holes toward the top of the deck (Figure 3). The long slope of the kickers must be face inward.

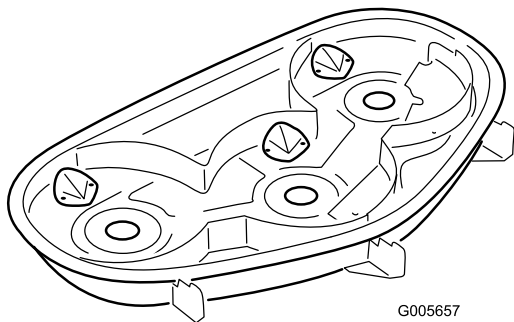
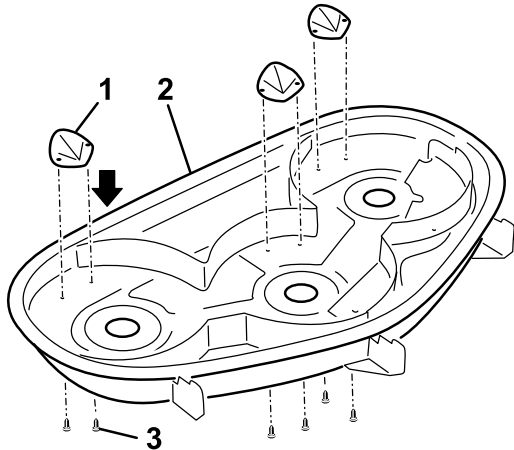


Figure 3

1. Mower deck
2. Kicker plate, installed

2. If there are rivets blocking the mounting holes in the mower, drill out the center of each rivet with a 3/16 inch (5 mm) drill bit and discard the rivet.
3. Secure the plates to the deck using six Phillips head screws (#8 x 5/8 inch). The screws come up through the top of the mower and into the plate (Figure 3).

Step

4

Installing the Decal

Parts needed for this step:

1	Recycling decal
---	-----------------

Procedure

Install the decal on left side of mower (Figure 4).

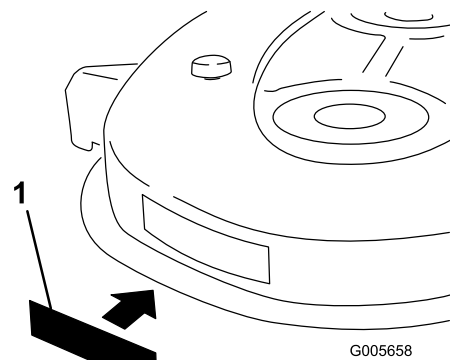


Figure 4

1. Recycler decal
2. Left side of mower

Step

5

Installing the Blades and Mower

Parts needed for this step:

3	Recycling mower blade
---	-----------------------

Procedure

1. Install the new recycling mower blades as described in your *Operator's Manual*.
2. Install the mower as described in your *Operator's Manual*.

Operation

Converting to Side-discharge Operation



Without the grass deflector, discharge cover, or complete grass catcher assembly mounted in place, you and others are exposed to blade contact and thrown debris. Contact with rotating mower blade(s) and thrown debris will cause injury or death.

- Never remove the grass deflector from the mower because the grass deflector routes material down toward the turf. If the grass deflector is ever damaged, replace it immediately.
- Never put your hands or feet under the mower.
- Never try to clear the discharge area or mower blades unless you move the blade control switch (PTO) to disengage and turn the ignition key to off. Also remove the key and pull the wire off the spark plug(s).

Note: To use the mower in side discharge mode, only the right baffle must be removed. Mounting hardware must be installed in open holes.

1. Stop the engine and remove the ignition key.
2. Remove the 2 knobs and curved washers that secure the right baffle to the mower.
3. Remove the right baffle and lower the grass deflector over the discharge opening.

Important: Ensure the mower has a hinged grass deflector that disperses clippings to the side and down toward the turf, while in side discharge mode.

4. Install the fasteners you removed previously into the holes in the top of the mower to prevent flying debris.

To mulch grass clippings, install the right baffle, refer to Installing the Baffles.

Operating Tips

Selecting the Proper Height-of-Cut Setting to Suit the Conditions

Remove approximately one inch or no more than 1/3 of the grass blade when cutting. In exceptionally lush and dense grass you may have to raise the height-of-cut setting another notch or convert to side discharge or bagging operations.

Mowing in Extreme Conditions

Air is required to cut and recut grass clippings in the mower housing, so do not set the height-of-cut too low or totally surround the housing by uncut grass. Always have one side of the mower housing free from uncut grass, allowing air to be drawn into housing. When making an initial cut through the center of the uncut area, operate the machine at a slower speed and back up if the mower starts to clog.

Mowing at the Proper Intervals

Under normal conditions you'll need to mow every 4-5 days. However, grass grows at different rates at different times. Thus, in order to maintain the same height-of-cut, which is a good practice, you'll need to cut more frequently in early spring; as the grass growth rate slows in mid summer, cut only every 8-10 days. If you are unable to mow for an extended period due to the weather conditions or other reasons, convert to side discharge or bagging options or mow first with the height-of-cut at a high level; then mow again 2-3 days later with a lower height setting.

Always Mow with Sharp Blades

A sharp blade cuts cleanly and without tearing or shredding the grass blade like a dull blade. Tearing and shredding causes the grass to turn brown at the edges which impairs growth and increases susceptibility to disease.

Cleaning After Operating

To ensure optimum performance, clean the underside of the mower housing. If residue is allowed to build up in mower housing, cutting performance will decrease.