



Light Kit Greensmaster® 3200 Series

Model No. 04551

Parts Catalog

Ordering Replacement Parts

To order replacement parts, please supply the part number, the quantity, and the description of each part desired.

Understanding Reference Numbers

Each identified part in an illustration has a reference number. The reference number for a part also appears in the parts list, along with other information about the part.

This catalog uses two special reference number formats, one to indicate parts in a service assembly and another to indicate the quantity of a given part in an illustration.

Service Assembly Reference Numbers

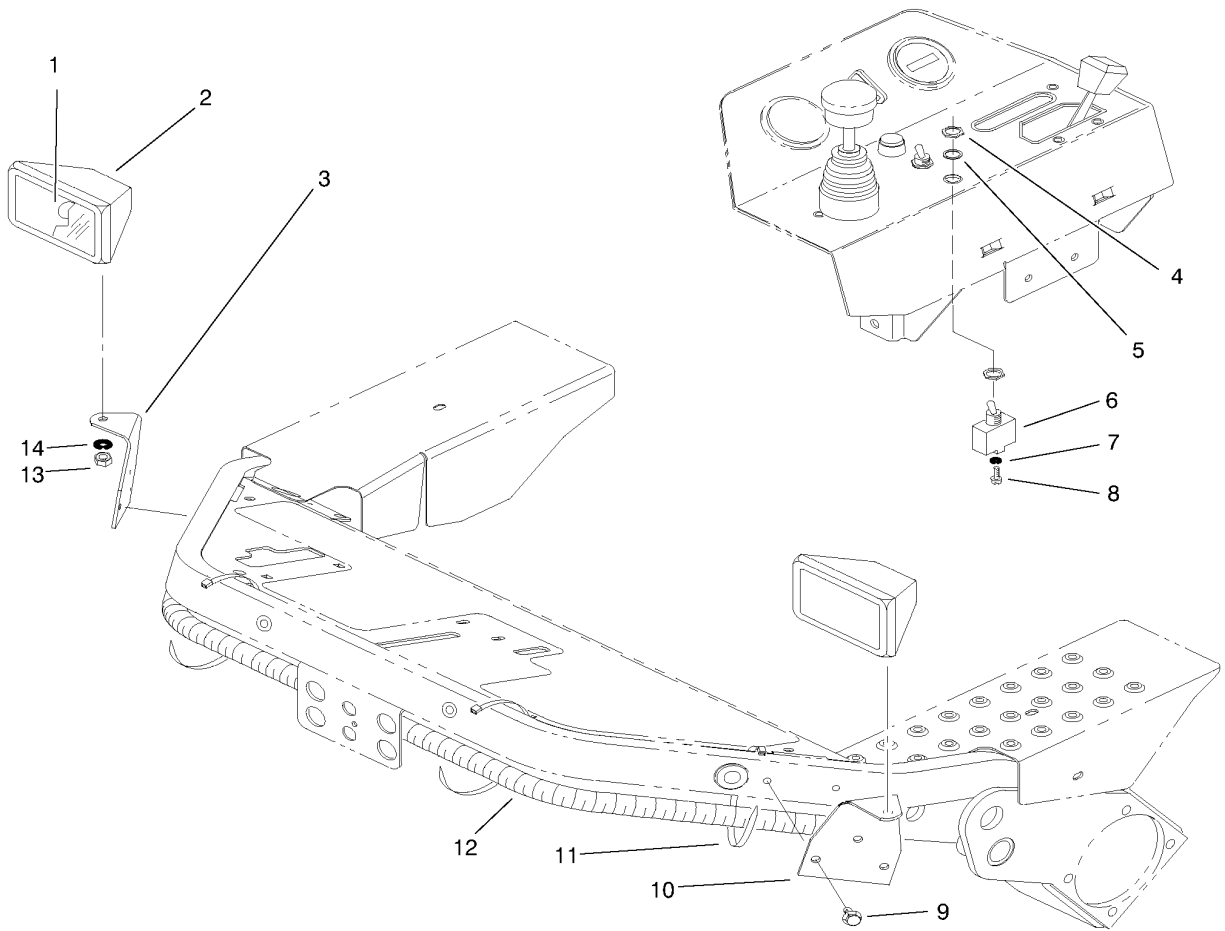
Parts in service assemblies have reference numbers in the form a:b. The a represents the reference number of the entire service assembly and the b represents a sequential number unique to each part within the service assembly.

For example, a wheel assembly might be identified by reference number 6, the tire by 6:1, the valve by 6:2, and the wheel by 6:3. When you order the assembly identified by reference number 6, you receive all parts identified by reference numbers 6:1, 6:2, and 6:3. However, you may also order any part individually. Reference numbers of this type appear in illustrations and in part lists.

Reference Numbers Indicating Quantity

In an illustration, if a reference number indicates more than one part, the reference number has the form nX y. The n represents the quantity of the part, the X is the multiplication symbol, and the y represents the reference number.

For example, in an illustration, the reference number 2X 37 means that two of the parts identified by reference number 37 are indicated.



Frame and Dash Light Kit Assembly

Ref	Part No.	Qty.	Description
1	95-0909	2	Lamp-12 Volt
2	94-9024	2	Lamp-Standard (Incl. Ref. #1 And 13-14)
3	95-1609	1	Bracket-Light, RH
4	218-498	2	Locknut
5	218-589	1	Washer
6	75-1010	1	Switch (Incl. Ref. #4-5 And 7-8)
7	3253-19	2	Washer-Lock
8	218-588	2	Screw
9	32144-14	4	Screw-HWHTF
10	95-1615	1	Bracket-Light, LH
11	3290-379	6	Tie-Cable
12	95-0537	1	Harness-Wire, Lights
13	3217-6	2	Nut-Hex
14	3253-33	2	Washer-Lock

--	--	--	--

