



53cm Super Recycler[®] Lawn Mower

Model No. 20795 - 270000001 and up.

Parts Catalog

Ordering Replacement Parts

To order replacement parts, please supply the part number, the quantity, and the description of each part desired.

Understanding Reference Numbers

Each identified part in an illustration has a reference number. The reference number for a part also appears in the parts list, along with other information about the part.

This catalog uses two special reference number formats, one to indicate parts in a service assembly and another to indicate the quantity of a given part in an illustration.

Service Assembly Reference Numbers

Parts in service assemblies have reference numbers in the form a:b. The a represents the reference number of the entire service assembly and the b represents a sequential number unique to each part within the service assembly.

For example, a wheel assembly might be identified by reference number 6, the tire by 6:1, the valve by 6:2, and the wheel by 6:3. When you order the assembly identified by reference number 6, you receive all parts identified by reference numbers 6:1, 6:2, and 6:3. However, you may also order any part individually. Reference numbers of this type appear in illustrations and in part lists.

Reference Numbers Indicating Quantity

In an illustration, if a reference number indicates more than one part, the reference number has the form nX y. The n represents the quantity of the part, the X is the multiplication symbol, and the y represents the reference number.

For example, in an illustration, the reference number 2X 37 means that two of the parts identified by reference number 37 are indicated.

Contents

Description	Page	Description	Page
Housing Assembly	3	Carburetor Assembly Briggs and Stratton 12H807-2038-B1	16
Housing Assembly No. 112-8863	4	Air Cleaner Assembly Briggs and Stratton 12H807-2038-B1	17
Height-of-Cut Assembly	5	Governor Assembly Briggs and Stratton 12H807-2038-B1	18
Rear Wheel and Gear Case Assembly	6	Muffler and Fuel Tank Assembly Briggs and Stratton 12H807-2038-B1	19
Gear Case Assembly No. 108-8140	7	Blower Housing Assembly Briggs and Stratton 12H807-2038-B1	20
Engine Assembly	8	Starter Assembly Briggs and Stratton 12H807- 2038-B1	21
Handle Assembly	9	Electric Starter Assembly Briggs and Stratton 12H807-2038-B1	22
Brake Bail and Cable Assembly	10	Engine Gasket Set Briggs and Stratton 12H807-2038-B1	23
Electrical Assembly	11	Carburetor Overhaul Kit Briggs and Stratton 12H807-2038-B1	24
Grass Bag Assembly	12	Attachments and Accessories List	25
Cylinder Assembly Briggs and Stratton 12H807-2038-B1	13		
Crankshaft Assembly Briggs and Stratton 12H807-2038-B1	14		
Crankcase Assembly Briggs and Stratton 12H807-2038-B1	15		

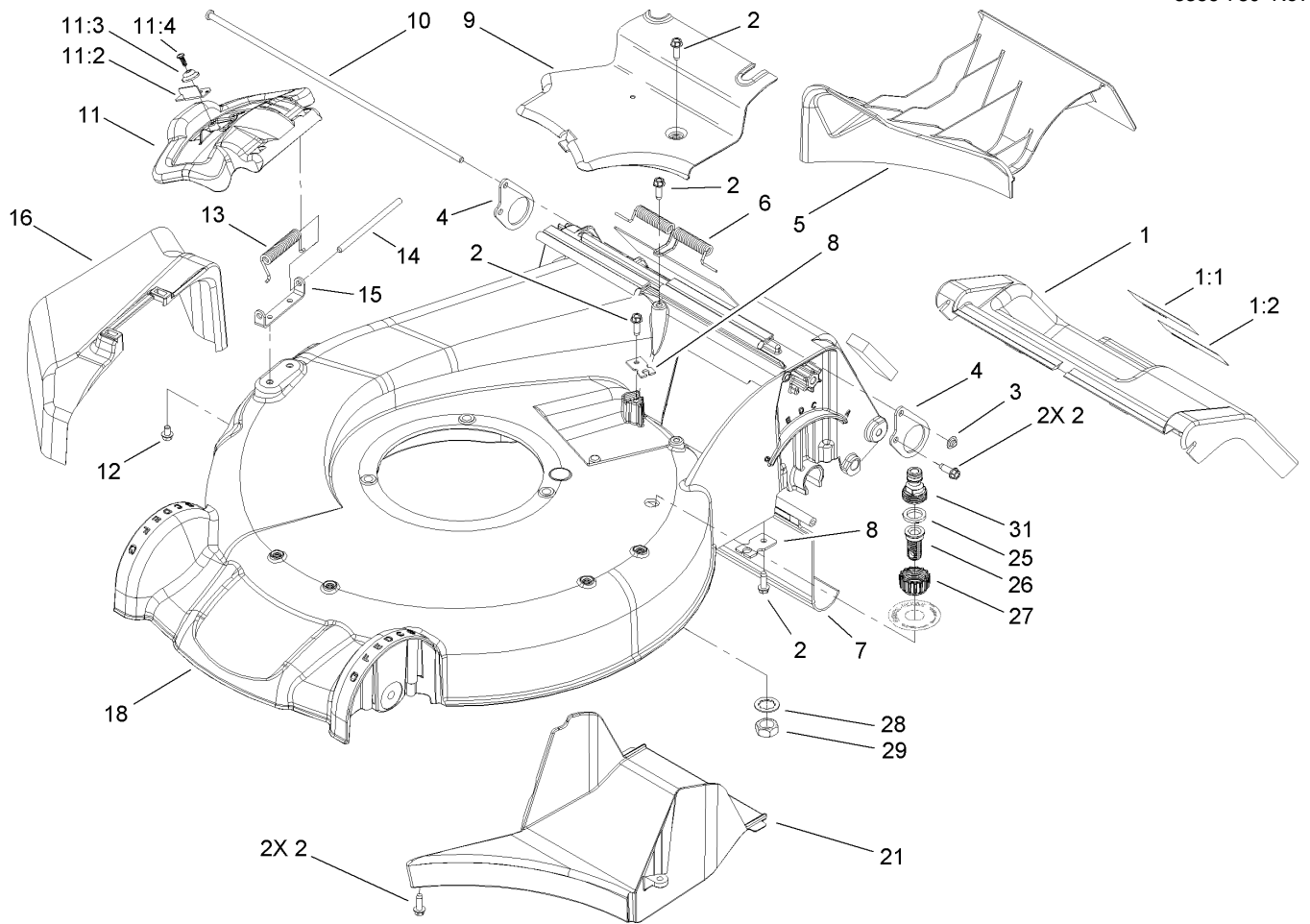
Part Description Abbreviations

Part descriptions in this catalog may include the following abbreviations.

AR. as required	HYD. hydraulic
ASM. assembly	LH. left hand
BBC. blade brake clutch	NI. nylon insert
CARR. carriage	NPTF. national pipe thread fine
DEG. degrees	PFH. phillips flat head
EXT. external	PPH. phillips pan head
FH. flat head	PPHTF. phillips pan head thread forming
GA. gauge	PRH. phillips round head
HD. heavy-duty	PTH. phillips truss head
HF. hex flange	PTO. power-take-off
HH. hex head	RH. right hand
HHF. hex head flange	ROPS. roll-over protection system
HHFTF. hex head flange thread forming	SFH. slotted fillister head
HJ. hex jam	SHH. slotted hex head
HLH. hex lag head	SHWH. slotted hex washer head
HOC. height-of-cut	SPH. slotted pan head
HSBH. hex socket button head	SQH. square head
HSFH. hex socket flat head	SRH. slotted round head
HSH. hex socket head	STD. standard
HWH. hex washer head	TAP. self tapping
HWHTF. hex washer head thread forming	TTH. torx truss head

Footnotes

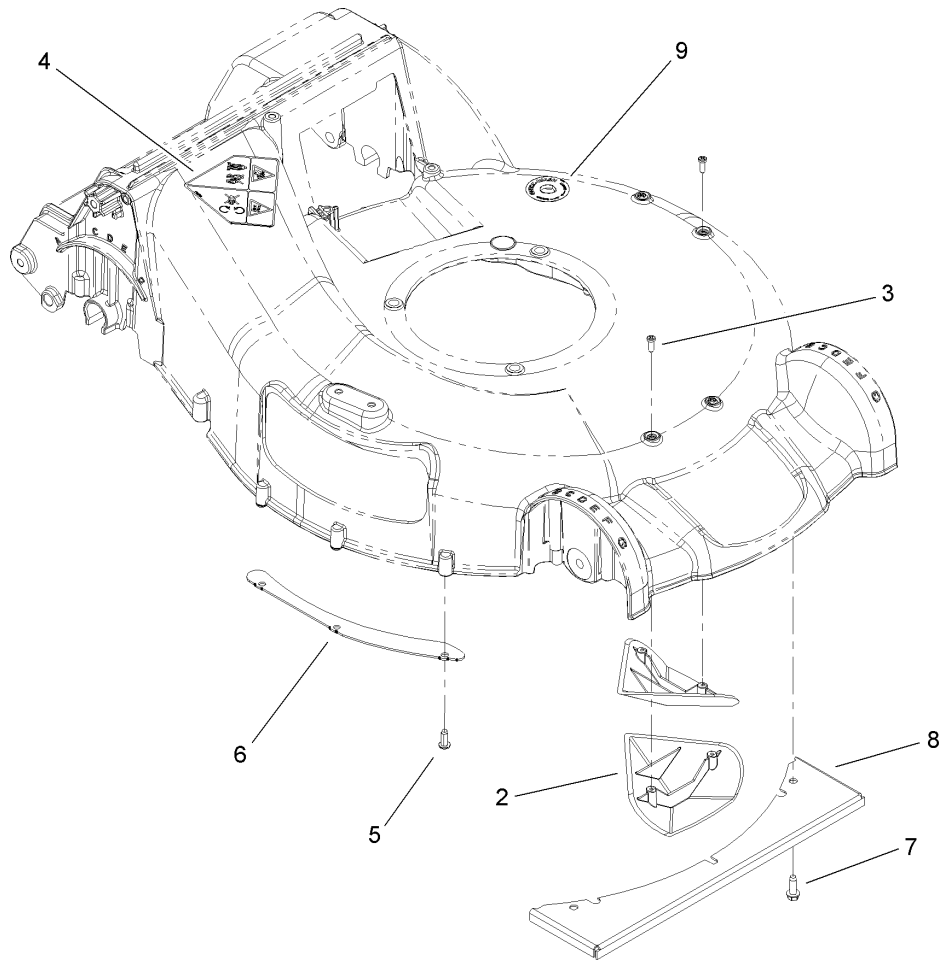
- | | |
|---|--|
| ❶ Not illustrated | ❷ Not serviced separately |
| ❸ Obtain from your local Briggs & Stratton dealer | ❹ Included in Carburetor Overhaul Kit (Ref. No. 121) |
| ❺ Included in Engine Gasket Set (Ref. No. 358) | ❻ Included in Carburetor Gasket Set (Ref. No. 977) |



Housing Assembly

Ref	Part No.	Qty.	Description
1	108-8170	1	Door-Service
1:1	112-8759	1	Decal-Warning
1:2	104-7908	1	Decal-Warning
2	49-2040	8	Screw-HWHTF
3	3290-337	1	Nut-Speed
4	107-7493	2	Plate-Support, Door
5	107-7490	1	Plug-Mulch
6	105-3032	1	Spring-Door, Rear
7	114-1586	1	Shield-Trailing
8	107-7497	2	Bracket-Cable, Traction
9	107-7494	1	Cover-Belt
10	107-7499	1	Rod-Support, Door
11	107-3717	1	Discharge Door ASM
11:2	107-0795	1	Latch-Door
11:3	107-7456	1	Cap-Door
11:4	107-7461	1	Screw-Plastite
12	99-8445	2	Screw-HWH
13	99-5293	1	Spring-Torsion
14	99-5291	1	Rod-Cover
15	112-6416	1	Bracket-Cover
16	108-3753	1	Chute-Discharge, Side
18	112-8863	1	Housing ASM
21	107-7495	1	Tunnel-Discharge
25	112-6438	1	Washer-Seal, Washout Port

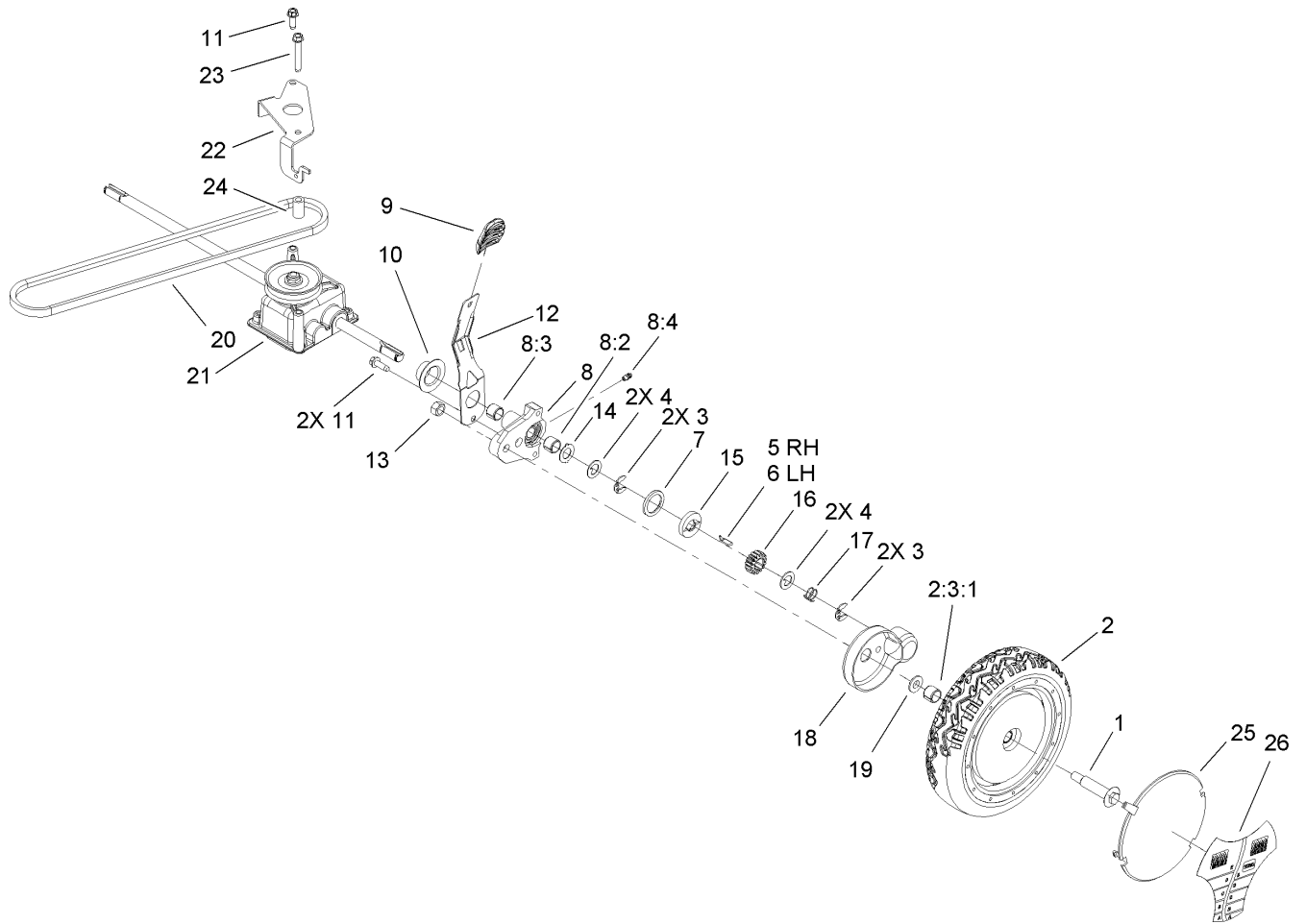
Ref	Part No.	Qty.	Description
26	112-6400	1	Port-Washout
27	112-6401	1	Coupling-Hose, Washout Port
28	3254-5	1	Washer-Tooth
29	3218-6	1	Nut-Jam
31	112-6437	1	Adapter-Quick Connect



Housing Assembly No. 112-8863

Ref	Part No.	Qty.	Description
2	108-3798	2	Kicker-Housing
3	32144-111	4	Screw-PPH
4	112-8760	1	Decal-Danger, Ce
5	63-8590	3	Screw
6	105-1316-03	1	Sheet-Lip
7	49-2040	3	Screw-HWHTF
8	108-3797-03	1	Plate-Cover, Front
9	112-8867	1	Decal-Washout Port, Trilingual

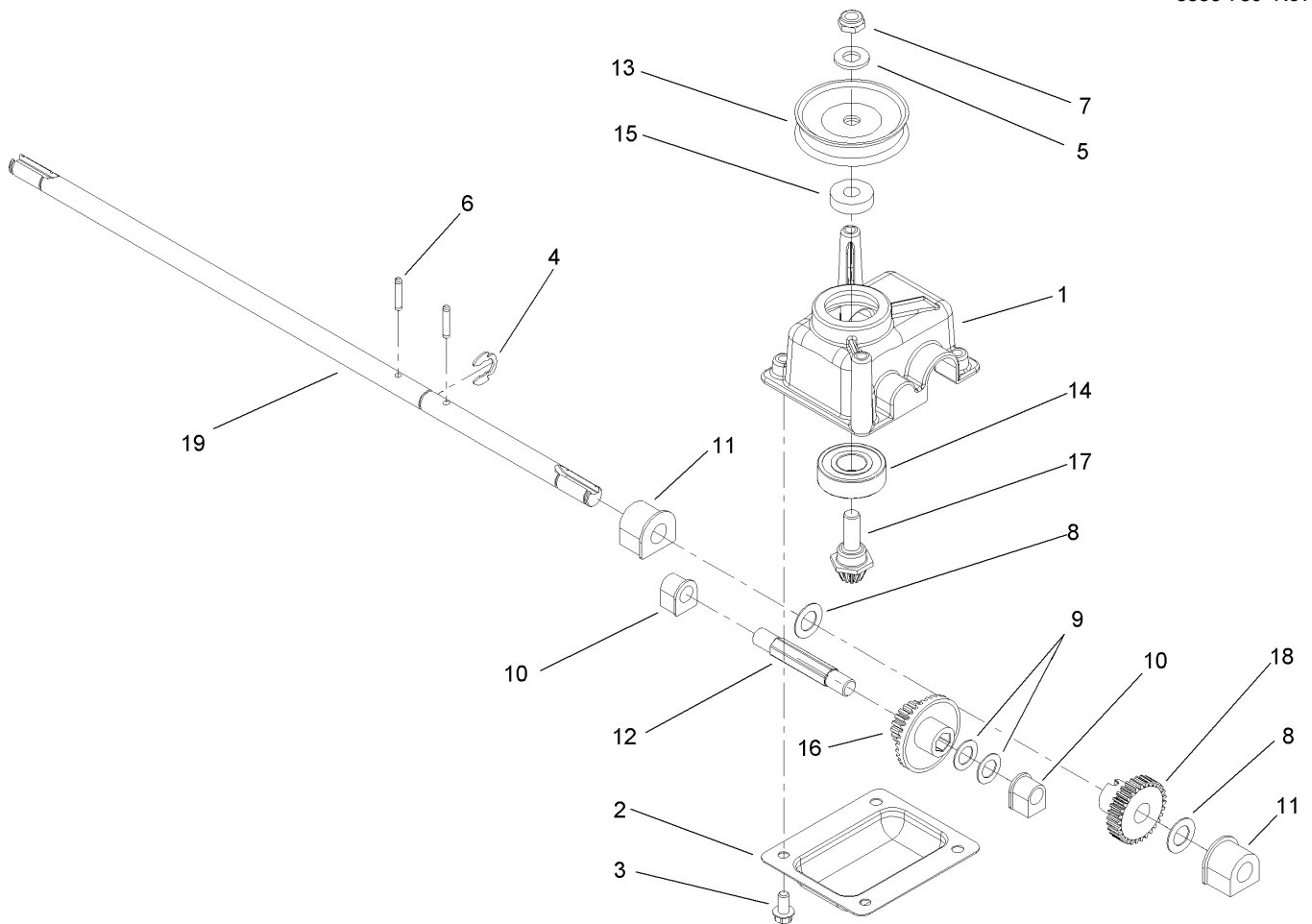
--	--	--	--



Rear Wheel and Gear Case Assembly

Ref	Part No.	Qty.	Description
1	92-1057	2	Bolt-Shoulder
2	107-3707	2	Wheel Gear ASM
1 2 2:3		1	8 Inch Wheel ASM
2:3:1	27-6250	2	Bushing
3	65-2720	4	Klipring-Locking
4	65-4740	4	Washer-Thrust, Keyed
5	66-6040	1	Key-Rocking, RH
6	66-6050	1	Key-Rocking, LH
7	65-4710	2	Ring-Friction
8	100-8774	2	Pivot Arm ASM
8:2	47-2900	1	Bushing
8:3	70-9760	1	Bushing
8:4	302-56	1	Fitting-Grease
9	105-3042	2	Knob-Lever, HOC
10	42-3520	2	Cap-End
11	49-2040	3	Screw-HWHTF
12	107-7491	2	Arm-Spring
13	603773	2	Nut
14	65-4730	2	Washer-Arm, Pivot
15	65-4760	2	Washer-Clutch
16	65-4750	2	Gear-Pinion
17	65-4720	2	Spring-Compression
18	74-1660	2	Cover-Wheel
19	74-1671	2	Spacer-Cover, Wheel

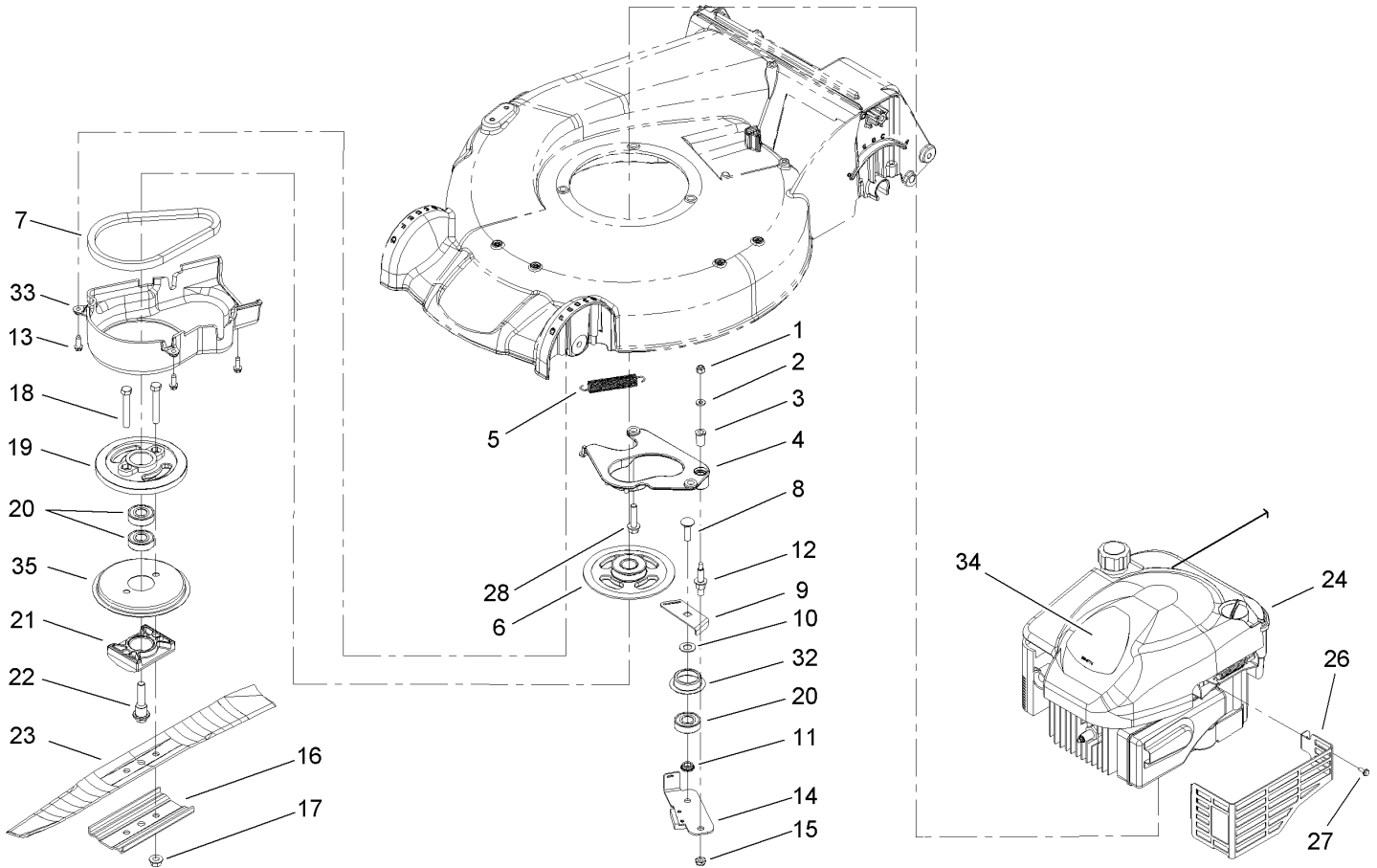
Ref	Part No.	Qty.	Description
20	99-1597	1	V-Belt
21	108-8140	1	Gear Case ASM
22	107-7483-03	1	Bracket-Gearbox
23	92-1616	1	Screw-HWHTF
24	614673	1	Bushing-Plate, Actuator
25	100-6351	1	Cover-Wheel
26	100-1519	1	Label-Wheel, Smart



Gear Case Assembly No. 108-8140

Ref	Part No.	Qty.	Description
1	104-7619	1	Case-Gear
2	614668-03	1	Cover-Case, Gear
3	32144-4	4	Screw-HWH
4	32151-68	1	Ring-Retaining
5	3256-24	1	Washer-Flat
6	3285-19	2	Pin-Groove
7	3296-5	1	Nut-Lock
8	36-4780	2	Washer-Plain
9	36-4791	2	Washer-Thrust
10	60-8750	2	Bushing
11	60-8850	2	Bushing
12	614696	1	Shaft-Intermediate
13	100-1176	2	Pulley-Half
14	100-1048	1	Bearing-Ball
15	62-6660	1	Spacer
16	104-1005	1	Gear-19T Spur, 37T Bevel
17	104-7667	1	Gear-Pinion, Bevel
18	104-1004	1	Gear-30T
19	108-8141	1	Shaft-Output

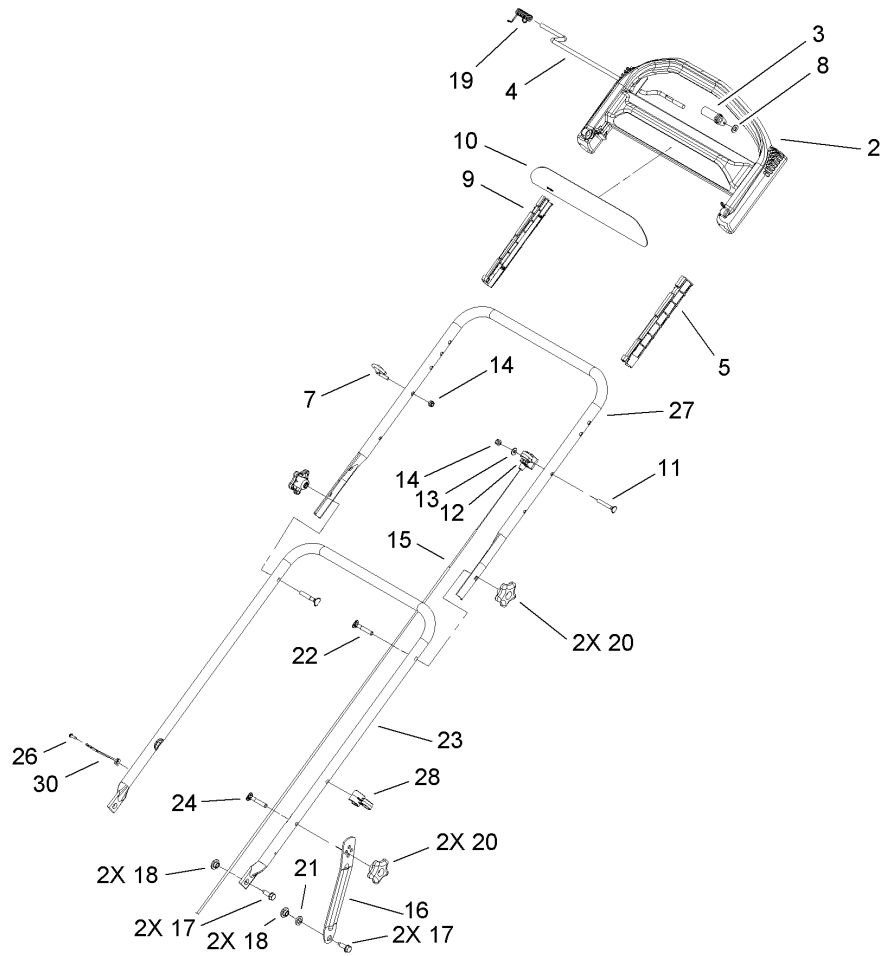
--	--	--	--



Engine Assembly

Ref	Part No.	Qty.	Description
1	3296-42	1	Nut-Lock, NI
2	3256-16	1	Washer-Flat
3	107-0797	1	Bushing
4	107-0761	1	Plate-Anchor
5	108-3792	1	Spring-Tension, Brake
6	110-7456	1	Pulley-BBC
7	110-1790	1	Belt-BBC
8	3231-25	1	Screw-CARR
9	107-7471	1	Plate-Guide
10	605256	1	Washer
11	107-0758	1	Spacer-Bearing
12	107-0759	1	Bolt-Shoulder
13	49-2040	3	Screw-HWHTF
14	107-7477	1	Brake Arm ASM
15	603773	2	Nut
16	108-3766-03	1	Support-Blade
17	54-9190	2	Nut-Lock
18	3211-42	2	Screw-HH
19	107-0754	1	Drum
20	108-3765	3	Bearing-Ball
21	107-7487	1	Support-Blade
22	107-7486	1	Bolt-Crank
23	108-3762-03	1	Blade-Recycling

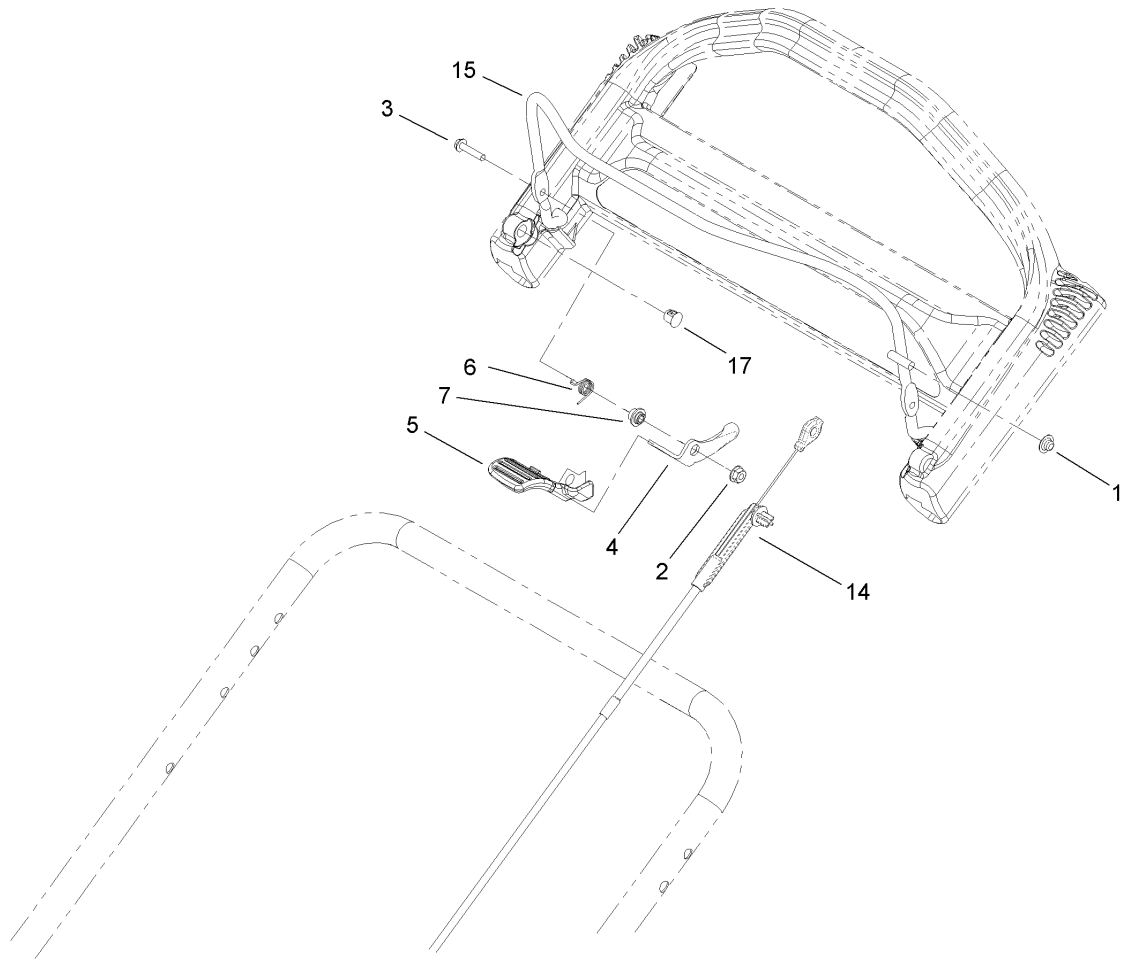
Ref	Part No.	Qty.	Description
24		1	Engine-Quantum, 12H807-2038-B1
26	104-7577-03	1	Shield-Muffler
27	32144-1	3	Screw-Taptite
28	32144-102	3	Screw-HWH
32	108-3790	1	Retainer-Belt
33	107-7488	1	Cover
34	114-2612	1	Decal
35	108-3787	1	Disc



Handle Assembly

Ref	Part No.	Qty.	Description
2	104-8678	1	Handle-Control
3	99-1589	1	Lever-Traction
4	99-1588	1	Bar-Control, Traction
5	105-6842	1	Guide-LH
7	86-9671	1	Guide-Rope
8	3256-23	1	Washer-Flat
9	105-6841	1	Guide-RH
10	110-7056	1	Decal-Ads, Handle
11	321-50	1	Screw-HH
12	92-7729	1	Anchor-Cable, Upper
13	3256-1	1	Washer-Flat
14	3296-73	2	Nut-Lock, NI
15	108-8158	1	Cable-Traction
16	108-8145-03	2	Support-Handle
17	701243	4	Screw-HWHTF
18	27-6600	4	Spacer-Coupling
19	104-8690	1	Spring-Torsion
20	108-8162	4	Knob-Locking
21	55-9670	2	Washer
22	92-2260	2	Screw-Handle
23	107-7476-05	1	Handle-Lower
24	92-2260	2	Screw-Handle
26	32144-53	1	Screw-SHWH
27	107-3783-05	1	Handle-Upper

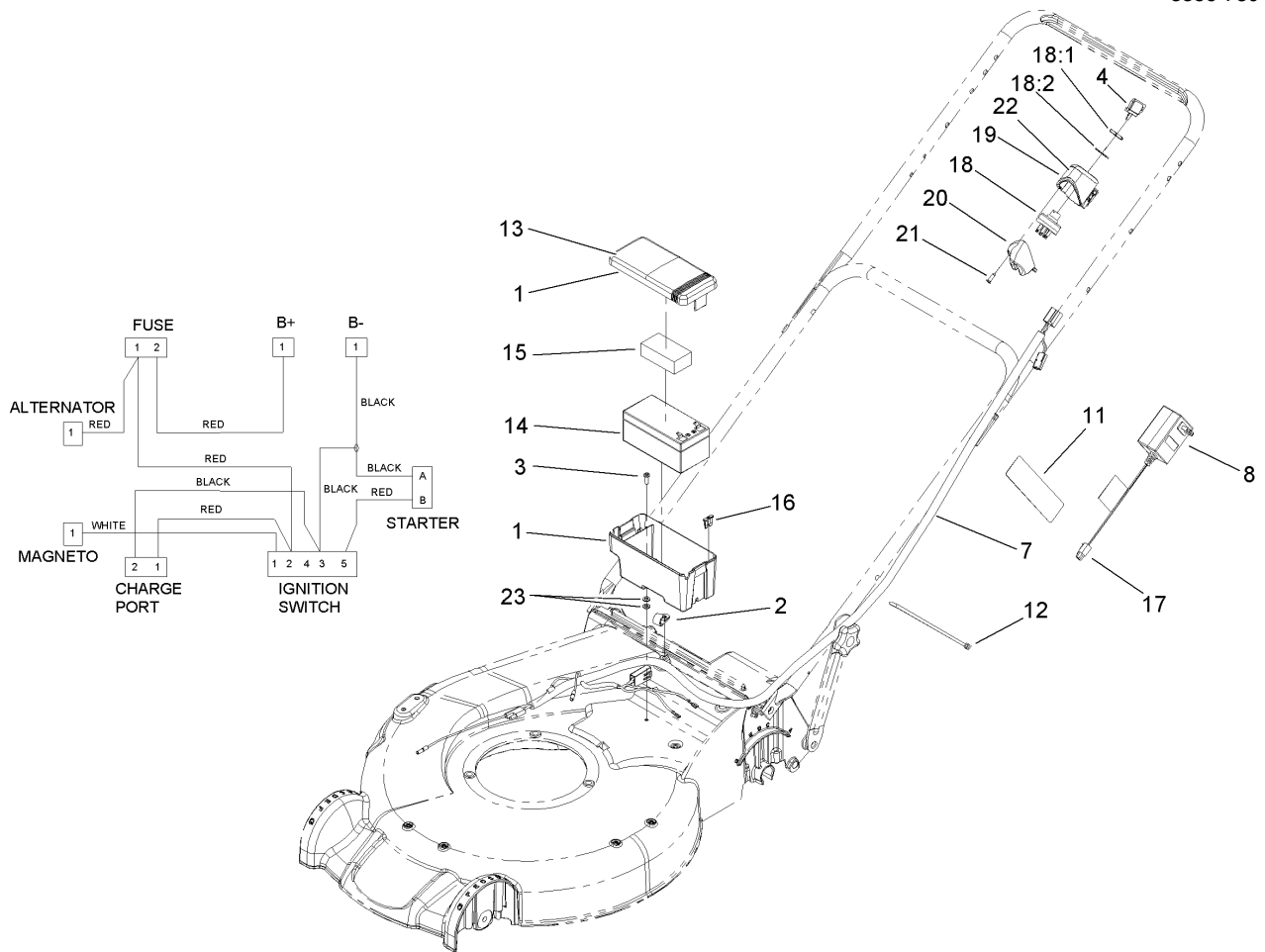
Ref	Part No.	Qty.	Description
28	106-6805	1	Guide-Cable
30	108-9452	1	Hook-Rope, Displacement



Brake Bail and Cable Assembly

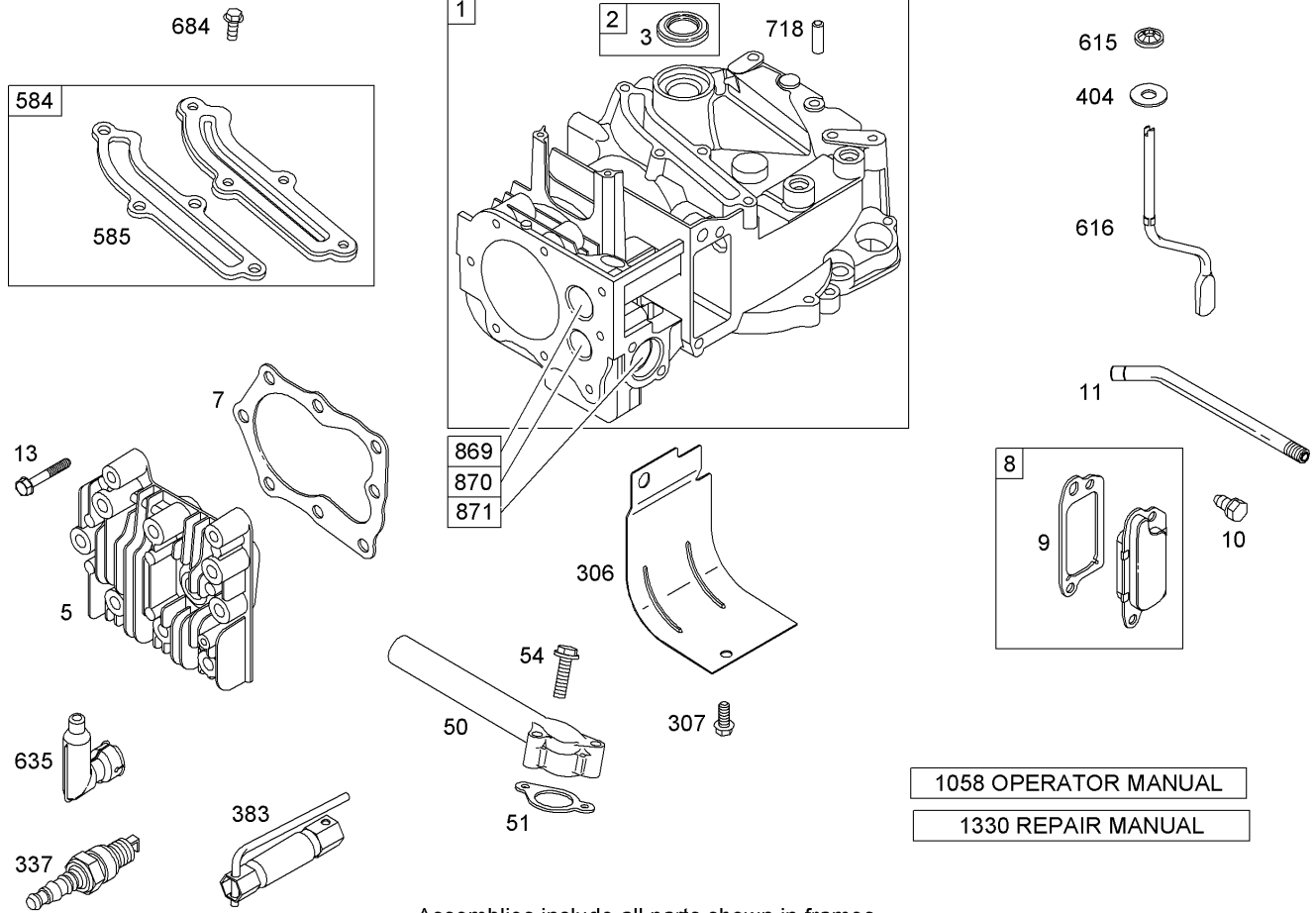
Ref	Part No.	Qty.	Description
1	3290-337	1	Nut-Speed
2	32128-17	1	Nut-Lock, Flange
3	106-9169	1	Screw
4	106-6802	1	Lever
5	112-8884	1	Knob-BBC
6	107-7462	1	Spring-Torsion
7	107-7463	1	Spacer
14	108-8155	1	Cable ASM
15	108-3788-03	1	Bail-Brake
17	104-9368	1	Plug-Dome

--	--	--	--



Electrical Assembly

Ref	Part No.	Qty.	Description
1	108-4844	1	Battery Box ASM
2	2412-73	1	Clamp-R
3	32144-32	1	Screw
4	700918	1	Key
7	108-4839	1	Harness-Wire
8	98-2391	1	Charger-European, 12V Dc
11	104-7953	1	Decal-Harness
12	614249	2	Strap-Tie
13	108-4791	1	Decal-Instructional
14	106-8397	1	Battery-12 Volt
15	107-3774	1	Foam-Battery, Top
16	99-6124	1	Fuse-40 Amp
17	107-3749	1	Adapter-Charger
18	23-0660	1	Switch-Starter
18:1	218-461	1	Nut-HH
18:2	3254-5	1	Washer-Tooth
19	108-3795	1	Housing-Key Switch
20	108-3796	1	Cover-Switch
21	32144-111	2	Screw-PPH
22	108-9751	1	Decal-Ignition Switch
23	3256-22	2	Washer-Flat

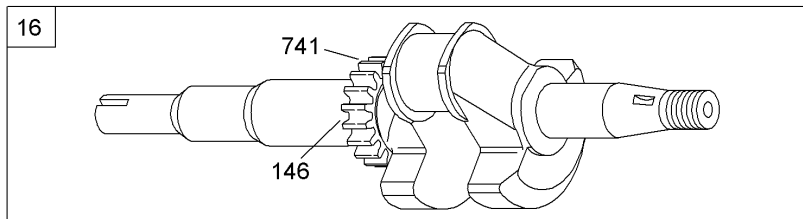
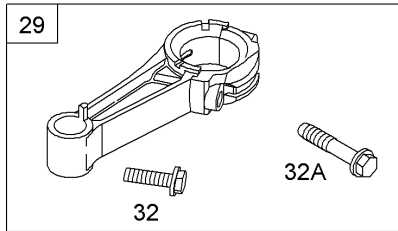
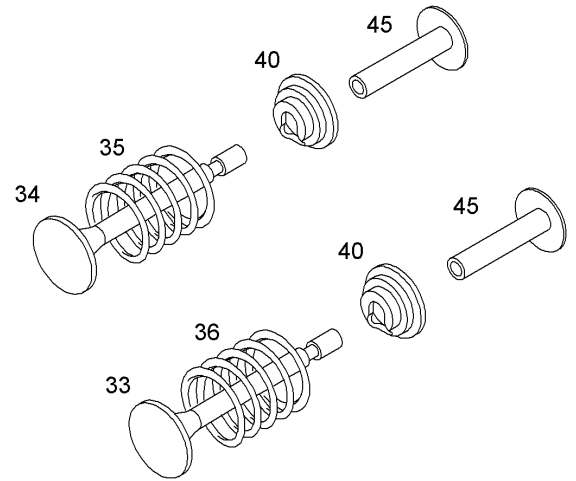
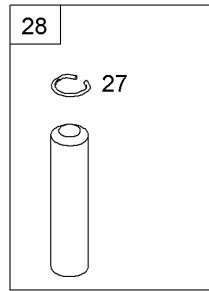
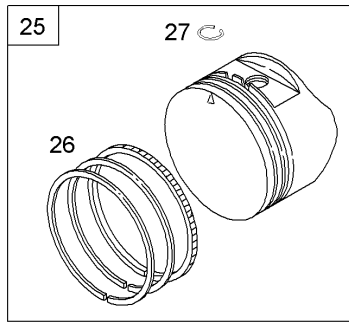


Assemblies include all parts shown in frames

Cylinder Assembly Briggs and Stratton 12H807-2038-B1

Ref	Part No.	Qty.	Description
1	697322	1	Cylinder ASM
2	399269	1	Bushing-Seal Kit
3	299819s	1	Seal-Oil (Magneto Side)
5	691160	1	Head-Cylinder
7	692249	1	Gasket-Head, Cylinder
8	695250	1	Breather ASM
9	696125	1	Gasket-Breather
10	691125	1	Screw (Breather ASM)
11	691781	1	Tube-Breather
13	690912	1	Screw (Cylinder Head)
50	497465	1	Manifold-Intake
51	272199s	1	Gasket-Intake
54	691650	1	Screw (Intake Manifold)
306	690450	1	Shield-Cylinder
307	690345	1	Screw (Cylinder Shield)
337	802592s	1	Plug-Spark
383	89838s	1	Wrench-Spark Plug
404	690272	1	Washer (Governor Crank)
584	697734	1	Cover-Passage, Breather
585	691879	1	Gasket-Passage, Breather
615	690340	1	Retainer-Shaft, Governor
616	698801	1	Crank-Governor
635	793351	1	Boot-Spark Plug
684	690345	1	Screw (Breather Passage Cover)

Ref	Part No.	Qty.	Description
718	690959	1	Pin-Locating
869	691155	1	Seat-Valve (Intake)
870	690380	1	Seat-Valve (Exhaust)
871	262001	1	Bushing-Guide (Exhaust)
871	63709	1	Bushing-Guide (Intake)
1058	MS3262	1	Operator Manual (West)
1058	MS3786	1	Operator Manual (East)
1330	270962	1	Repair Manual

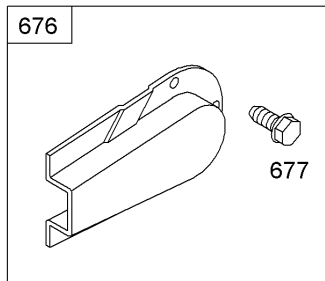
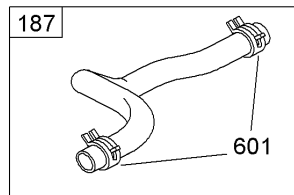
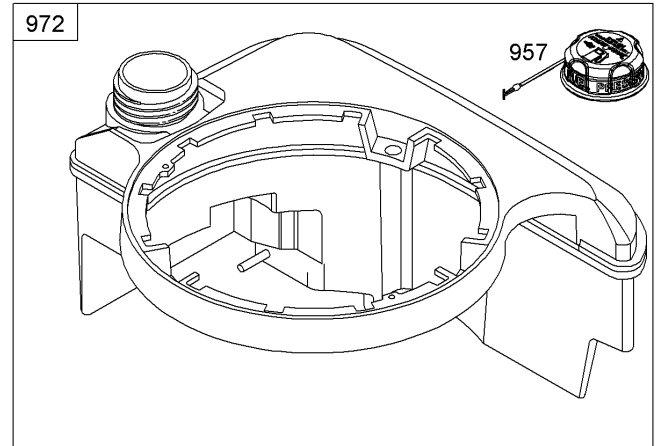
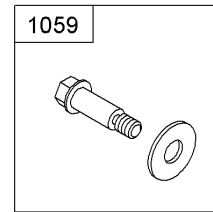
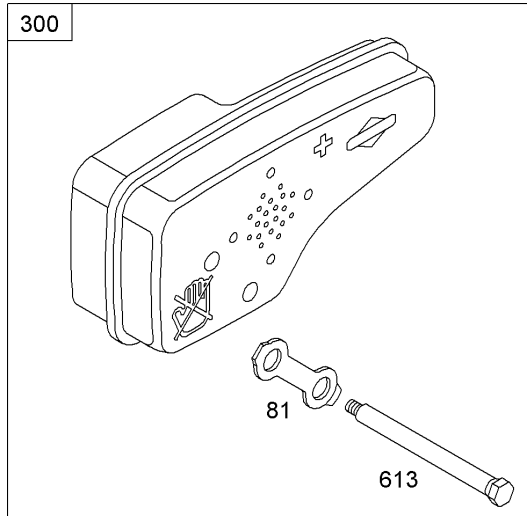


Assemblies include all parts shown in frames

Crankshaft Assembly

Briggs and Stratton 12H807-2038-B1

Ref	Part No.	Qty.	Description
16	791061	1	Crankshaft
24	222698s	1	Key-Flywheel
25	791097	1	Piston ASM (STD)
25	791326	1	Piston ASM (.020 O S)
26	791098	1	Ring Set (STD)
26	791324	1	Ring Set (.020 O S)
27	691866	1	Lock-Pin, Piston
28	499423	1	Pin-Piston (STD)
29	499424	1	Rod-Connecting (STD)
32	691664	1	Screw (Connecting Rod)
32A	695759	1	Screw (Connecting Rod)
33	262651s	1	Valve-Exhaust
34	262652s	1	Valve-Intake
35	691270	1	Spring-Valve (Intake)
36	691270	1	Spring-Valve (Exhaust)
40	692194	1	Retainer-Valve
45	690548	1	Tappet-Valve
146	690979	1	Key-Timing
741	691830	1	Gear-Timing

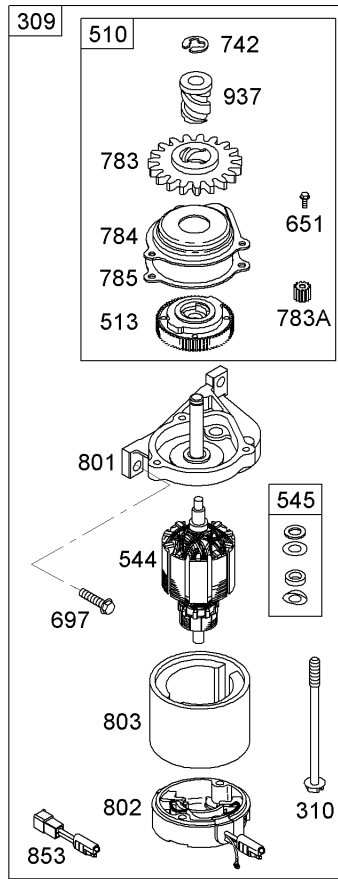


Assemblies include all parts shown in frames

Muffler and Fuel Tank Assembly Briggs and Stratton 12H807-2038-B1

Ref	Part No.	Qty.	Description
81	691740	1	Lock-Screw, Muffler
187	791873	1	Line-Fuel
190	690940	1	Screw (Fuel Tank)
300	692038	1	Muffler
601	791850	1	Clamp-Hose
613	691340	1	Screw (Muffler)
670	692294	1	Spacer-Tank, Fuel
676	493871	1	Deflector-Muffler
677	690661	1	Screw (Muffler Deflector)
957	699985	1	Cap-Tank, Fuel
972	699374	1	Tank-Fuel
1059	692311	1	Screw And Washer Kit

--	--	--	--



Assemblies include all parts shown in frames

Electric Starter Assembly Briggs and Stratton 12H807-2038-B1

Ref	Part No.	Qty.	Description				
309	695550	1	Motor-Starter				
310	692327	1	Bolt (Starter Motor)				
510	494147	1	Drive-Starter				
513	692358	1	Clutch-Drive				
544	690786	1	Armature-Starter				
545	492919	1	Washer Set				
651	690345	1	Screw (Starter Gear Cover)				
697	691127	1	Screw (Drive Cap)				
742	93941	1	Retainer-E Ring				
783	691918	1	Gear-Pinion				
783A	691269	1	Gear-Pinion				
784	692341	1	Cover-Gear, Starter				
785	692352	1	Gasket-Cover, Starter				
801	690782	1	Cap-Drive				
802	695267	1	Cap-End				
803	695266	1	Housing-Starter				
853	695268	1	Adapter-Wire				
937	691325	1	Spline-Starter				

Attachments and Accessories

For 20795 - 53cm Super Recycler Lawn Mower

Product Name

Model/Part

Traction Assist Handle Kit 108-8120

NOTES

NOTES

