



22in Recycler[®] Lawn Mower

Model No. 20065 - 270000001 and up.

Parts Catalog

Ordering Replacement Parts

To order replacement parts, please supply the part number, the quantity, and the description of each part desired.

Understanding Reference Numbers

Each identified part in an illustration has a reference number. The reference number for a part also appears in the parts list, along with other information about the part.

This catalog uses two special reference number formats, one to indicate parts in a service assembly and another to indicate the quantity of a given part in an illustration.

Service Assembly Reference Numbers

Parts in service assemblies have reference numbers in the form a:b. The a represents the reference number of the entire service assembly and the b represents a sequential number unique to each part within the service assembly.

For example, a wheel assembly might be identified by reference number 6, the tire by 6:1, the valve by 6:2, and the wheel by 6:3. When you order the assembly identified by reference number 6, you receive all parts identified by reference numbers 6:1, 6:2, and 6:3. However, you may also order any part individually. Reference numbers of this type appear in illustrations and in part lists.

Reference Numbers Indicating Quantity

In an illustration, if a reference number indicates more than one part, the reference number has the form nX y. The n represents the quantity of the part, the X is the multiplication symbol, and the y represents the reference number.

For example, in an illustration, the reference number 2X 37 means that two of the parts identified by reference number 37 are indicated.

Contents

Description	Page	Description	Page
Housing Assembly 3	Carburetor Assembly Briggs and Stratton 126T02-0139-B1 13
Rear Wheel Assembly 4	Air Cleaner Assembly Briggs and Stratton 126T02-0139-B1 14
Front Axle and Transmission Assembly 5	Governor Assembly Briggs and Stratton 126T02-0139-B1 15
Transmission Assembly No. 106-3955 6	Muffler and Fuel Tank Assembly Briggs and Stratton 126T02-0139-B1 16
Engine and Blade Assembly 7	Blower Housing Assembly Briggs and Stratton 126T02-0139-B1 17
Handle Assembly 8	Starter Assembly Briggs and Stratton 126T02- 0139-B1 18
Grass Bag Assembly 9	Engine Gasket Set Briggs and Stratton 126T02-0139-B1 19
Cylinder Assembly Briggs and Stratton 126T02-0139-B1 10	Carburetor Overhaul Kit Briggs and Stratton 126T02-0139-B1 20
Crankshaft Assembly Briggs and Stratton 126T02-0139-B1 11		
Crankcase Assembly Briggs and Stratton 126T02-0139-B1 12		

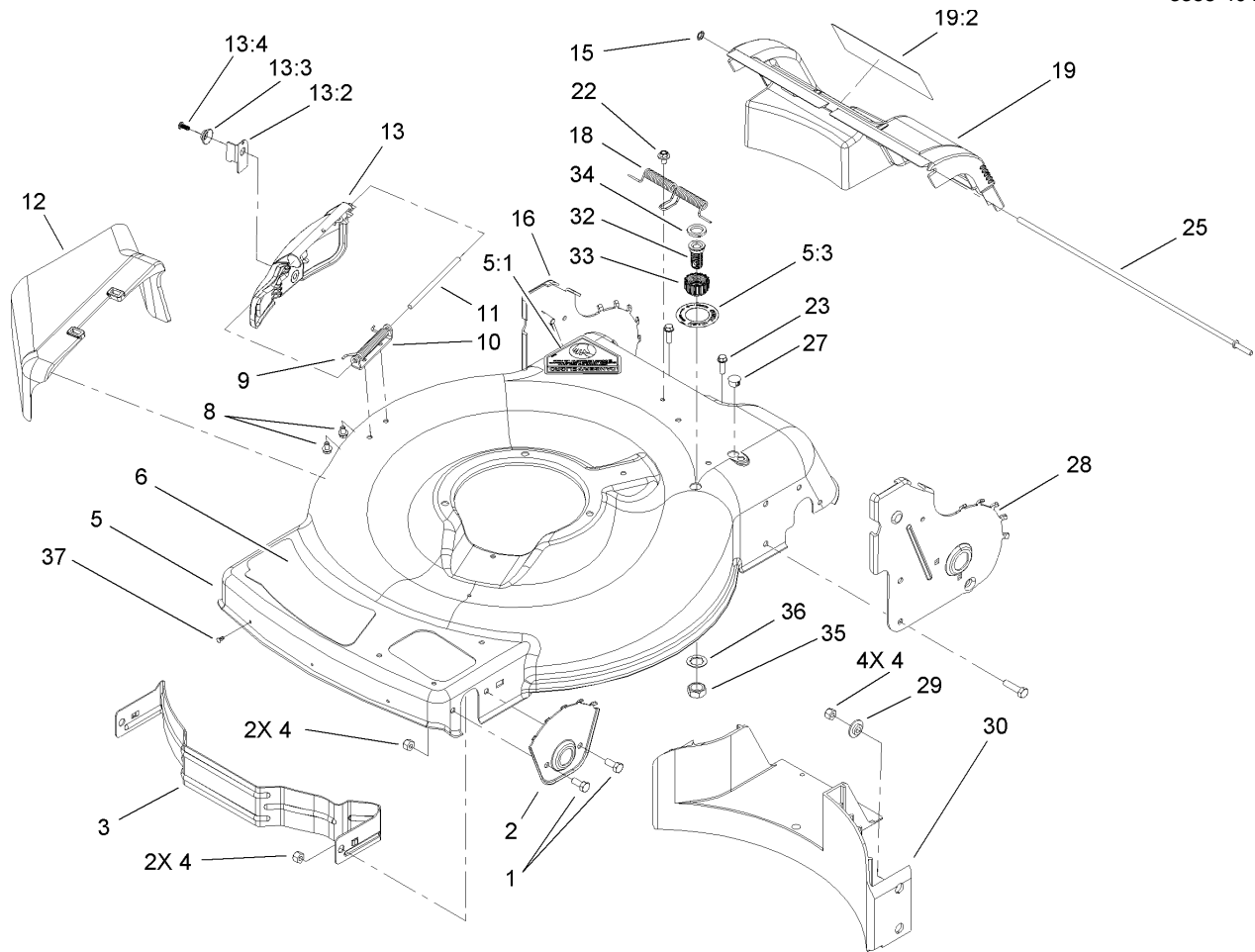
Part Description Abbreviations

Part descriptions in this catalog may include the following abbreviations.

AR. as required	HYD. hydraulic
ASM. assembly	LH. left hand
BBC. blade brake clutch	NI. nylon insert
CARR. carriage	NPTF. national pipe thread fine
DEG. degrees	PFH. phillips flat head
EXT. external	PPH. phillips pan head
FH. flat head	PPHTF. phillips pan head thread forming
GA. gauge	PRH. phillips round head
HD. heavy-duty	PTH. phillips truss head
HF. hex flange	PTO. power-take-off
HH. hex head	RH. right hand
HHF. hex head flange	ROPS. roll-over protection system
HHFTF. hex head flange thread forming	SFH. slotted fillister head
HJ. hex jam	SHH. slotted hex head
HLH. hex lag head	SHWH. slotted hex washer head
HOC. height-of-cut	SPH. slotted pan head
HSBH. hex socket button head	SQH. square head
HSFH. hex socket flat head	SRH. slotted round head
HSH. hex socket head	STD. standard
HWH. hex washer head	TAP. self tapping
HWHTF. hex washer head thread forming	TTH. torx truss head

Footnotes

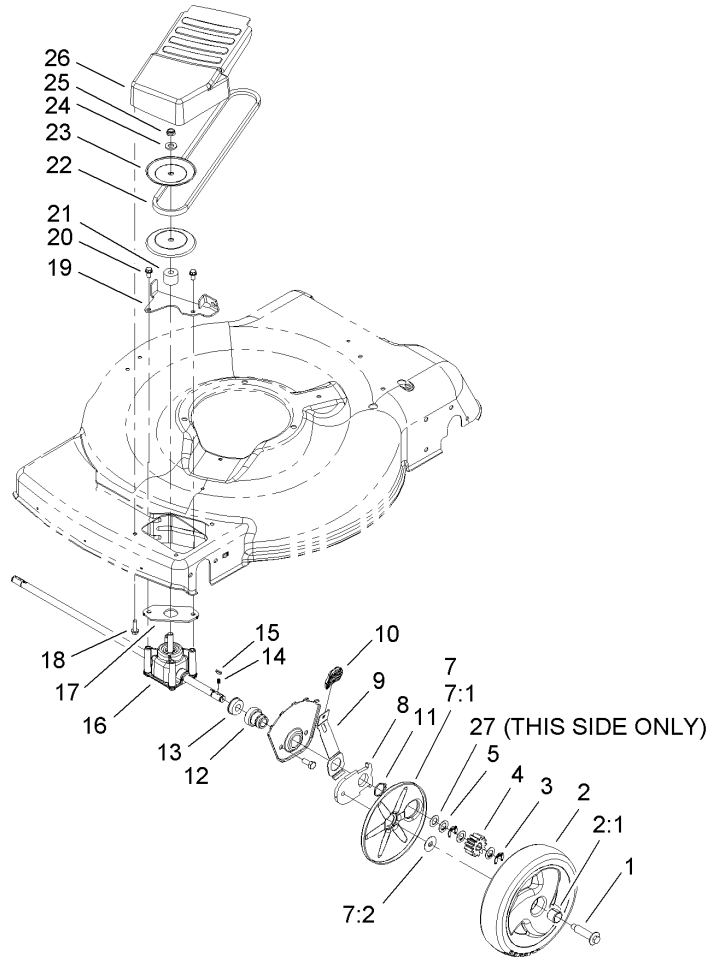
- | | |
|---|---|
| <ul style="list-style-type: none"> ❶ Not serviced separately ❷ Included in Carburetor Overhaul Kit (Ref. No. 121) ❸ Included in Carburetor Gasket Set (Ref. No. 977) | <ul style="list-style-type: none"> ❹ Obtain from your local Briggs & Stratton dealer ❺ Included in Engine Gasket Set (Ref. No. 358) |
|---|---|



Housing Assembly

Ref	Part No.	Qty.	Description
1	322-3	4	Screw-HH
2	105-1808-03	2	Plate-HOC, Front
3	104-8694-03	1	Baffle-Front
4	3296-29	8	Nut-Lock, NI
5	112-8850	1	Housing ASM
5:1	94-8072	1	Decal-Danger
5:3	112-8867	1	Decal-Washout Port, Trilingual
6	114-0322	1	Decal-Deck
8	99-8445	2	Screw-HWH
9	99-5293	1	Spring-Torsion
10	112-6416	1	Bracket-Cover
11	99-5291	1	Rod-Cover
12	105-3028	1	Chute-Discharge, Side
13	106-8376	1	Discharge Door ASM
13:2	107-0795	1	Latch-Door
13:3	107-7456	1	Cap-Door
13:4	107-7461	1	Screw-Plastite
15	32112-6	1	Nut-Push
16	112-6445	1	RH 11 Inch HOC Plate ASM
18	105-3032	1	Spring-Door, Rear
19	112-8864	1	Rear Door ASM
19:2	105-1295	1	Decal-Warning
22	46-6810	1	Screw And Washer ASM
23	46-8091	2	Screw-HWH

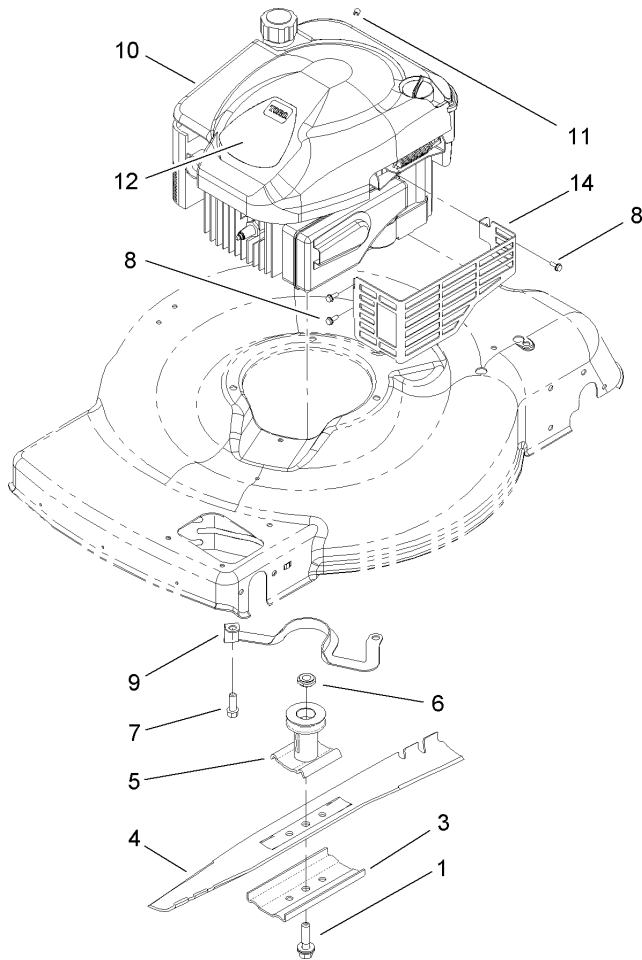
Ref	Part No.	Qty.	Description
25	105-1827	1	Rod-Pivot, Rear Door
27	104-9369	1	Plug-Dome
28	112-6447	1	LH 11 Inch HOC Plate ASM
29	105-3006	4	Washer-Stepped
30	105-3047	1	Baffle-Rear
32	112-6400	1	Port-Washout
33	112-6401	1	Coupling-Hose, Washout Port
34	112-6438	1	Washer-Seal, Washout Port
35	3218-6	1	Nut-Jam
36	3254-5	1	Washer-Tooth
37	112-6436	3	Plug-Arrow



Front Axle and Transmission Assembly

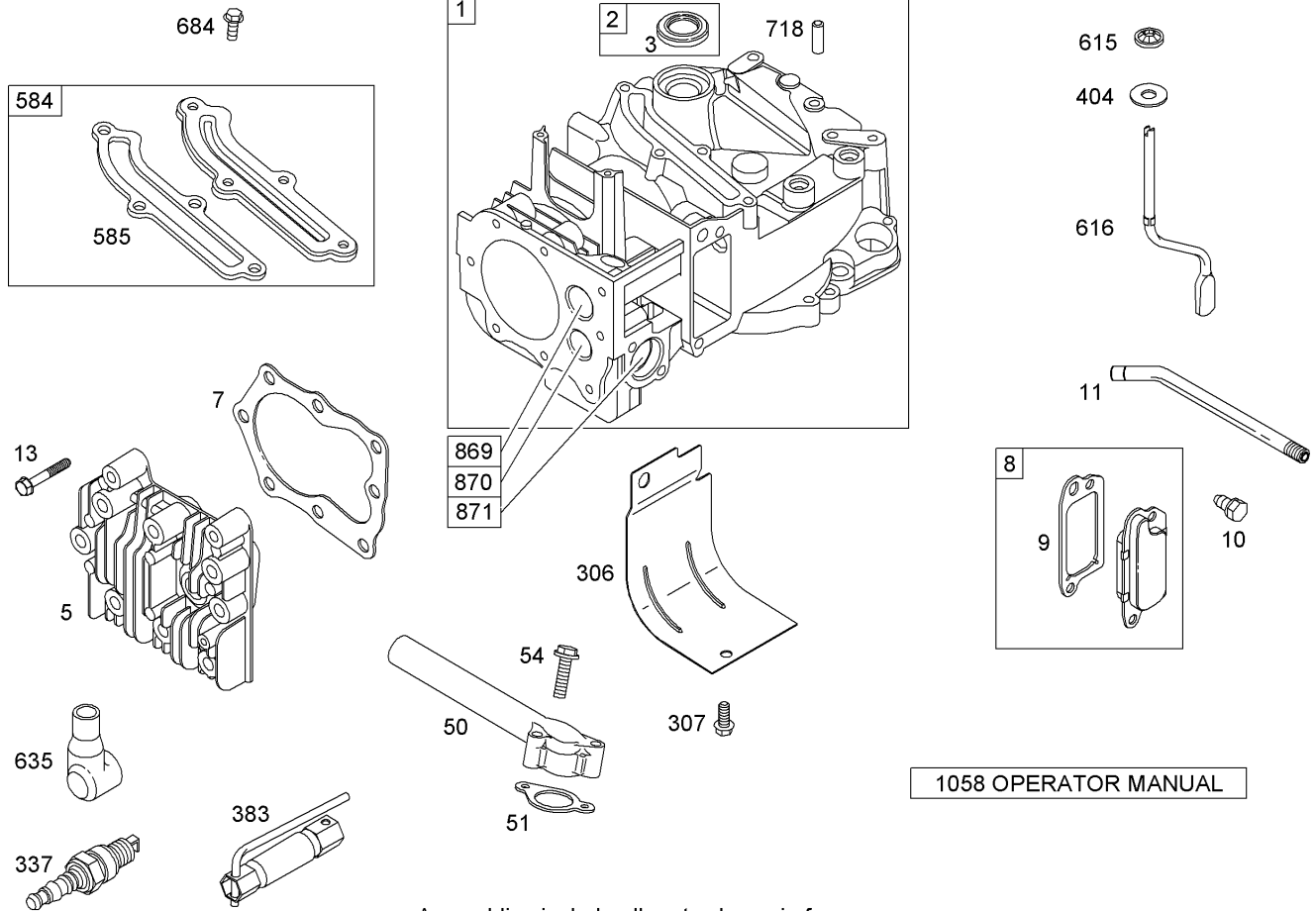
Ref	Part No.	Qty.	Description
1	614650	2	Bolt-Shoulder
2	105-1815	2	Wheel Gear ASM
2:1	27-6250	2	Bushing
3	65-2720	4	Ring-Clip, Locking
4	104-8670	2	Gear-Pinion, 13T
5	105-6840	6	Washer-Thrust
7	110-1792	2	Wheel Cover ASM
7:1		1	Cover-Wheel
7:2	614426	1	Washer-Stepped
8	105-1807	2	Arm-Pivot, Front
9	105-1809	2	Arm-Spring
10	105-3042	2	Knob-Lever, HOC
11	32151-36	2	Ring-Retaining
12	104-8698	2	Retainer-Bearing, HOC
13	104-8699	2	Bearing-Ball
14	39-9650	2	Spring-Compression
15	612066	2	Key
16	106-3955	1	Transmission ASM
17	108-9756	1	Gasket-Gearbox
18	46-8091	2	Screw-HWH
19	105-1833-03	1	Bracket-Pivot, Fwd
20	32144-4	2	Screw-HWH
21	92-5791	1	Spacer
22	91-2258	1	V-Belt

Ref	Part No.	Qty.	Description
23	104-8691	2	Pulley-Half, Front
24	3256-24	1	Washer-Flat
25	3296-5	1	Nut-Lock
26	105-1839	1	Cover-Belt, Front
27	36-4780	1	Washer-Plain



Engine and Blade Assembly

Ref	Part No.	Qty.	Description				
1	105-8579	1	Bolt-Blade				
3	108-3766-03	1	Support-Blade				
4	108-9764-03	1	Blade-22 Inch				
5	106-3987	1	Blade Driver ASM				
6	106-3999	1	Spacer-Driver				
7	95-1726	3	Screw-Taptite				
8	32144-1	3	Screw-Taptite				
9	105-3031-03	1	Guide-Belt				
10		1	Engine-Briggs & Stratton, 126T02-0139-B1				
11	2210-316	1	Stop-Rope				
12	114-0339	1	Decal-Engine				
14	104-7577-03	1	Shield-Muffler				

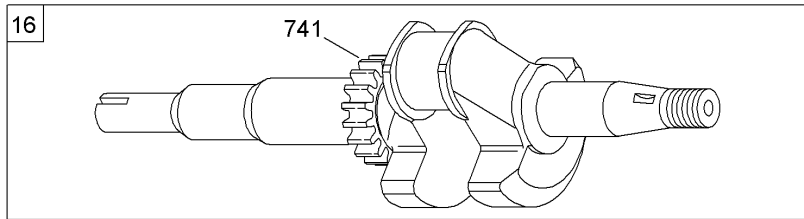
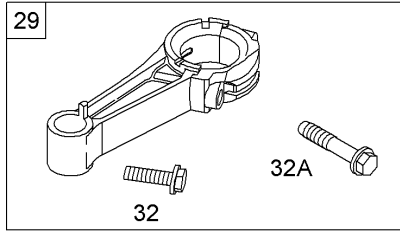
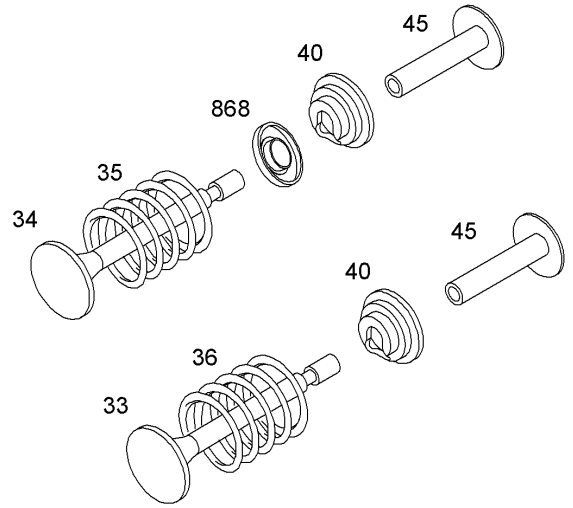
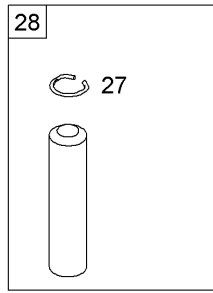
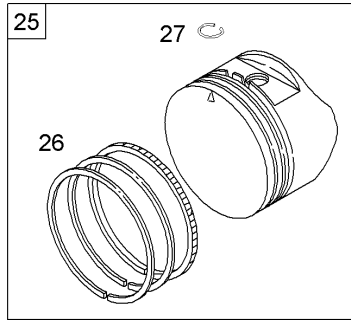


Assemblies include all parts shown in frames

Cylinder Assembly Briggs and Stratton 126T02-0139-B1

Ref	Part No.	Qty.	Description
1	697322	1	Cylinder ASM
2	399269	1	Bushing And Seal Kit
3	299819s	1	Seal-Oil (Magneto Side)
5	691160	1	Head-Cylinder
7	692249	1	Gasket-Head, Cylinder
8	695250	1	Breather ASM
9	696125	1	Gasket-Breather
10	691125	1	Screw (Breather ASM)
11	691781	1	Tube-Breather
13	690912	1	Screw (Cylinder Head)
50	794305	1	Manifold-Intake
51	794306	1	Gasket-Intake
54	691650	1	Screw (Intake Manifold)
306	690450	1	Shield-Cylinder
307	690345	1	Screw (Cylinder Shield)
337	802592s	1	Plug-Spark
383	89838s	1	Wrench-Spark Plug
404	690272	1	Washer (Governor Crank)
584	697734	1	Cover-Passage, Breather
585	691879	1	Gasket-Passage, Breather
615	690340	1	Retainer-Shaft, Governor
616	698801	1	Crank-Governor
635	66538s	1	Boot-Spark Plug
684	690345	1	Screw (Breather Passage Cover)

Ref	Part No.	Qty.	Description
718	690959	1	Pin-Locating
869	691155	1	Seat-Valve (Intake)
870	690380	1	Seat-Valve (Exhaust)
871	262001	1	Bushing-Guide (Exhaust)
871	63709	1	Bushing-Guide (Intake)
1058	277039	1	Operator Manual



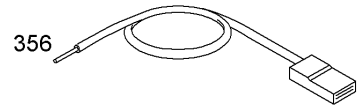
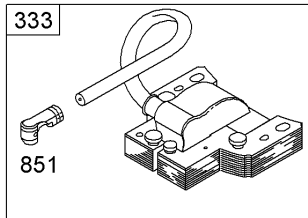
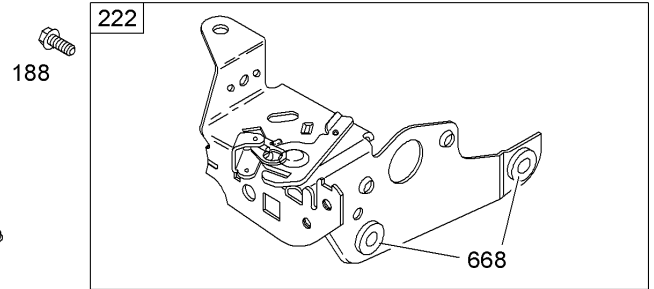
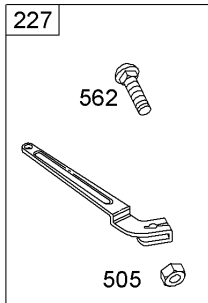
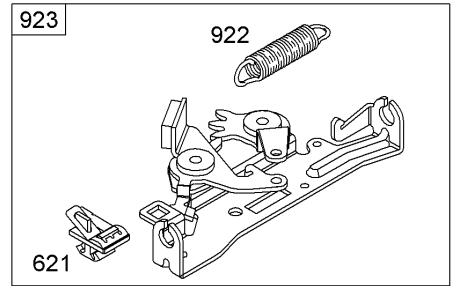
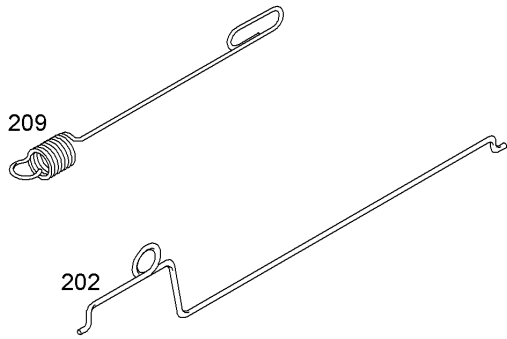
Assemblies include all parts shown in frames

Crankshaft Assembly

Briggs and Stratton 126T02-0139-B1

Ref	Part No.	Qty.	Description
●16	696009	1	Crankshaft
●24	222698s	1	Key-Flywheel
●25	791097	1	Piston ASM (STD)
●25	791326	1	Piston ASM (.020 O S)
●26	791098	1	Ring Set (STD)
●26	791324	1	Ring Set (.020 O S)
●27	691866	1	Lock-Pin, Piston
●28	499423	1	Pin-Piston (STD)
●29	499424	1	Rod-Connecting (STD)
●32	691664	1	Screw (Connecting Rod)
●32A	695759	1	Screw (Connecting Rod)
●33	262651s	1	Valve-Exhaust
●34	262652s	1	Valve-Intake
●35	691270	1	Spring-Valve (Intake)
●36	691270	1	Spring-Valve (Exhaust)
●40	692194	1	Retainer-Valve
●45	690548	1	Tappet-Valve
●741	790345	1	Gear-Timing
●868	697338	1	Seal-Valve

--	--	--	--

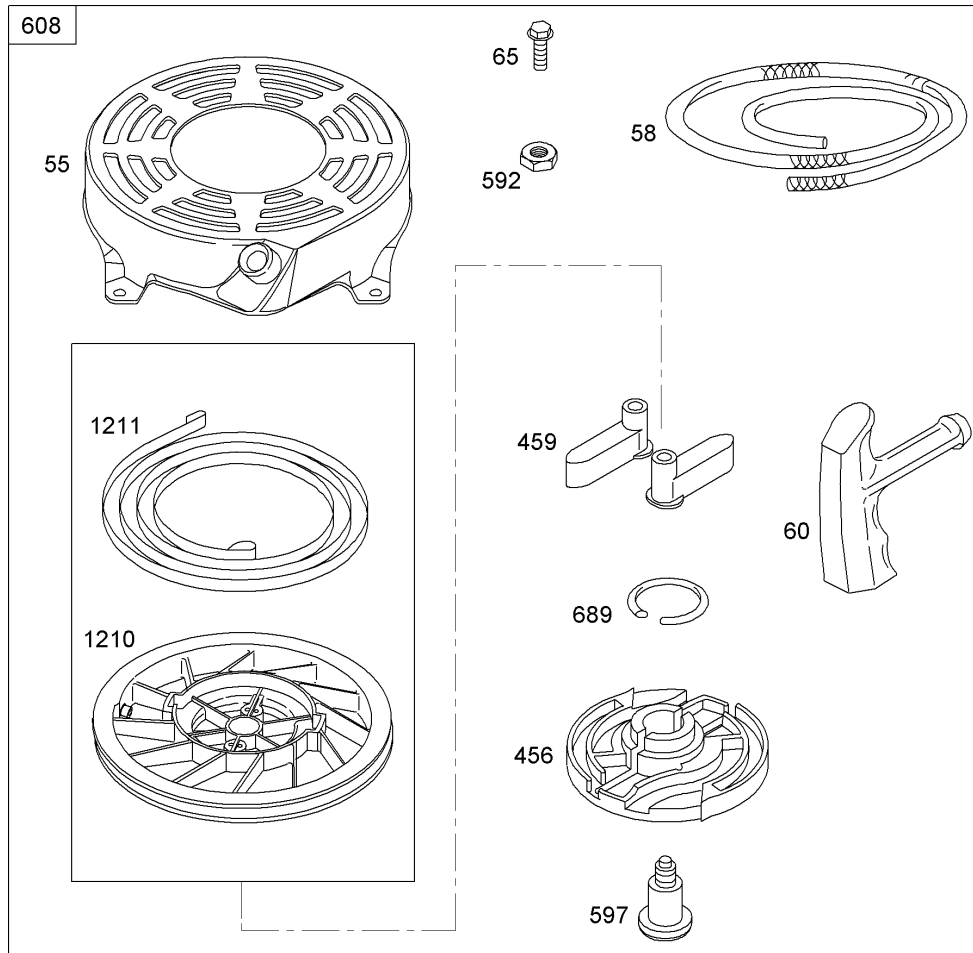


Assemblies include all parts shown in frames

Governor Assembly Briggs and Stratton 126T02-0139-B1

Ref	Part No.	Qty.	Description
②188	693399	1	Screw (Control Bracket)
②202	691829	1	Link-Governor, Mechanical
②209	691292	1	Spring-Governor
②222	791128	1	Bracket-Control
②227	690783	1	Lever-Control, Governor
②333	802574	1	Armature-Magneto
②334	691061	1	Screw (Magneto Armature)
②356	692390	1	Wire-Stop
②505	691251	1	Nut (Governor Control Lever)
②562	691119	1	Bolt (Governor Control Lever)
②621	692310	1	Switch-Stop
②④668	493823	1	Spacer
②745	691648	1	Screw (Brake)
②851	493880s	1	Terminal-Spark Plug
②922	691831	1	Spring-Brake
②923	691994	1	Brake ASM

--	--	--	--



Starter Assembly Briggs and Stratton 126T02-0139-B1

Ref	Part No.	Qty.	Description
●55	691421	1	Housing-Starter, Rewind
●58	697316	1	Rope-Starter (Cut To Required Length)
●60	281434s	1	Grip-Rope, Starter
●65	690837	1	Screw (Rewind Starter)
●456	692299	1	Plate-Friction, Pawl
●459	281505s	1	Ratchet-Pawl
●592	690800	1	Nut (Rewind Starter)
●597	691696	1	Screw (Pawl Friction Plate)
●608	497680	1	Starter-Rewind
●689	691855	1	Spring-Friction
●1210	498144	1	Pulley And Spring ASM (Pulley)
●1211	498144	1	Pulley And Spring ASM (Spring)

--	--	--	--

NOTES

NOTES

NOTES

