



## TimeCutter™ Z5040 Riding Mower

Model No. 74374 - 270000001 and up.

### Parts Catalog

---

#### Ordering Replacement Parts

To order replacement parts, please supply the part number, the quantity, and the description of each part desired.

#### Understanding Reference Numbers

Each identified part in an illustration has a reference number. The reference number for a part also appears in the parts list, along with other information about the part.

This catalog uses two special reference number formats, one to indicate parts in a service assembly and another to indicate the quantity of a given part in an illustration.

#### Service Assembly Reference Numbers

Parts in service assemblies have reference numbers in the form a:b. The a represents the reference number of the entire service assembly and the b represents a sequential number unique to each part within the service assembly.

For example, a wheel assembly might be identified by reference number 6, the tire by 6:1, the valve by 6:2, and the wheel by 6:3. When you order the assembly identified by reference number 6, you receive all parts identified by reference numbers 6:1, 6:2, and 6:3. However, you may also order any part individually. Reference numbers of this type appear in illustrations and in part lists.

#### Reference Numbers Indicating Quantity

In an illustration, if a reference number indicates more than one part, the reference number has the form nX y. The n represents the quantity of the part, the X is the multiplication symbol, and the y represents the reference number.

For example, in an illustration, the reference number 2X 37 means that two of the parts identified by reference number 37 are indicated.

# Contents

Description	Page	Description	Page
Frame Assembly	3	Valve and Camshaft Assembly Kawasaki FH641V-AS31	18
Deck Lift and Seat Support Assembly	4	Lubrication Equipment Assembly Kawasaki FH641V-AS31	19
Seat Assembly	5	Cooling Equipment Assembly Kawasaki FH641V-AS31	20
Control Assembly	6	Electric Equipment Assembly Kawasaki FH641V-AS31	21
Hydro Drive Assembly	7	Control Equipment Assembly Kawasaki FH641V-AS31	22
RH Hydro No. 110-6771 Assembly	8	Carburetor Assembly Kawasaki FH641V-AS31	23
LH Hydro No. 110-6770 Assembly	9	Air Filter and Muffler Assembly Kawasaki FH641V-AS31	24
Engine and Clutch Assembly	10	Fuel Tank and Valve Assembly Kawasaki FH641V-AS31	25
Styling and Fuel System Assembly	11	Starter Assembly Kawasaki FH641V-AS31	26
50 Inch Deck and Side Discharge Assembly	12	Label Assembly Kawasaki FH641V-AS31	27
50 Inch Deck Decal Assembly	13	Attachments and Accessories List	28
50 Inch Deck Spindle and Belt Drive Assembly	14		
Electrical Assembly	15		
Cylinder and Crankcase Assembly Kawasaki FH641V-AS31	16		
Piston and Crankshaft Assembly Kawasaki FH641V-AS31	17		

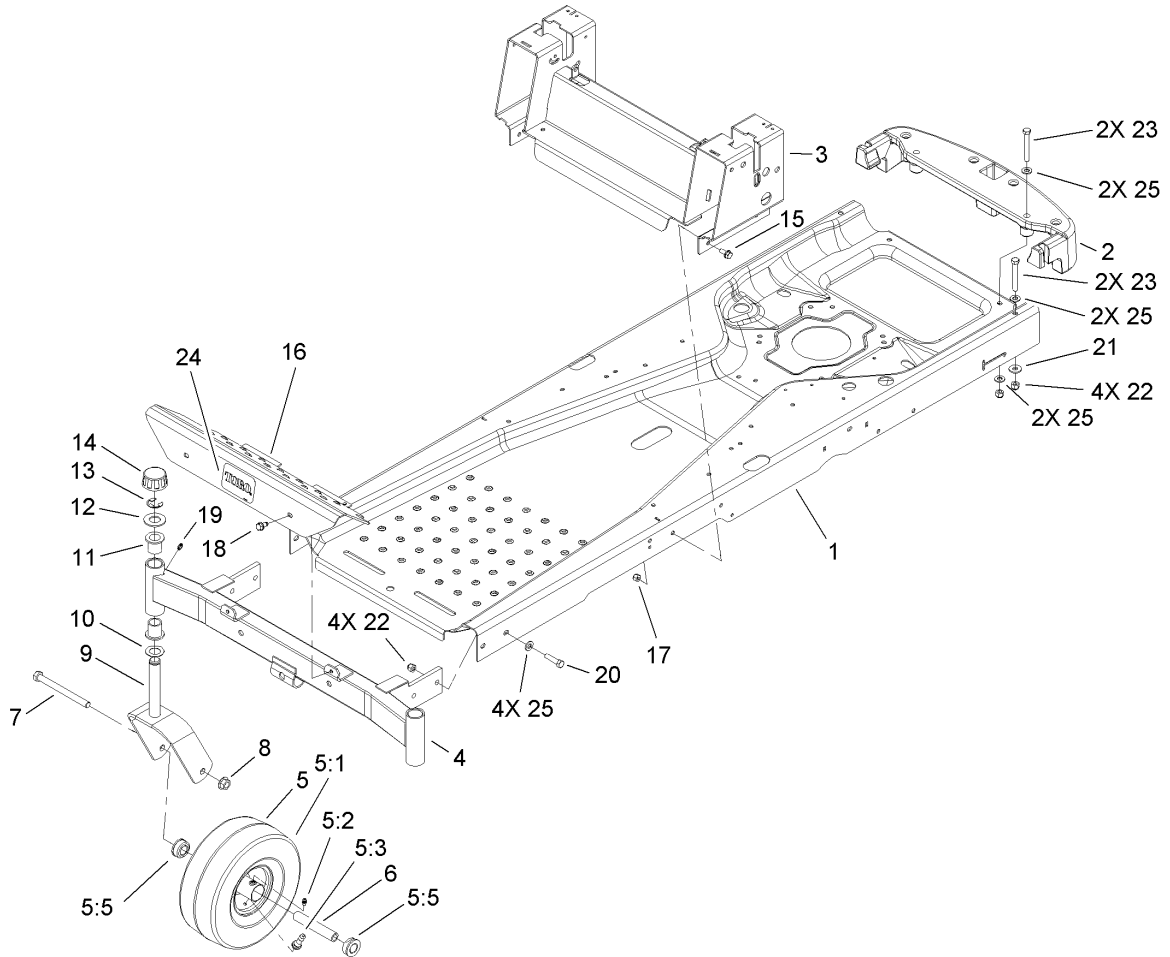
## Part Description Abbreviations

Part descriptions in this catalog may include the following abbreviations.

AR. .... as required	HYD. .... hydraulic
ASM. .... assembly	LH. .... left hand
BBC. .... blade brake clutch	NI. .... nylon insert
CARR. .... carriage	NPTF. .... national pipe thread fine
DEG. .... degrees	PFH. .... phillips flat head
EXT. .... external	PPH. .... phillips pan head
FH. .... flat head	PPHTF. .... phillips pan head thread forming
GA. .... gauge	PRH. .... phillips round head
HD. .... heavy-duty	PTH. .... phillips truss head
HF. .... hex flange	PTO. .... power-take-off
HH. .... hex head	RH. .... right hand
HHF. .... hex head flange	ROPS. .... roll-over protection system
HHFTF. .... hex head flange thread forming	SFH. .... slotted fillister head
HJ. .... hex jam	SHH. .... slotted hex head
HLH. .... hex lag head	SHWH. .... slotted hex washer head
HOC. .... height-of-cut	SPH. .... slotted pan head
HSBH. .... hex socket button head	SQH. .... square head
HSFH. .... hex socket flat head	SRH. .... slotted round head
HSH. .... hex socket head	STD. .... standard
HWH. .... hex washer head	TAP. .... self tapping
HWHTF. .... hex washer head thread forming	TTH. .... torx truss head

## Footnotes

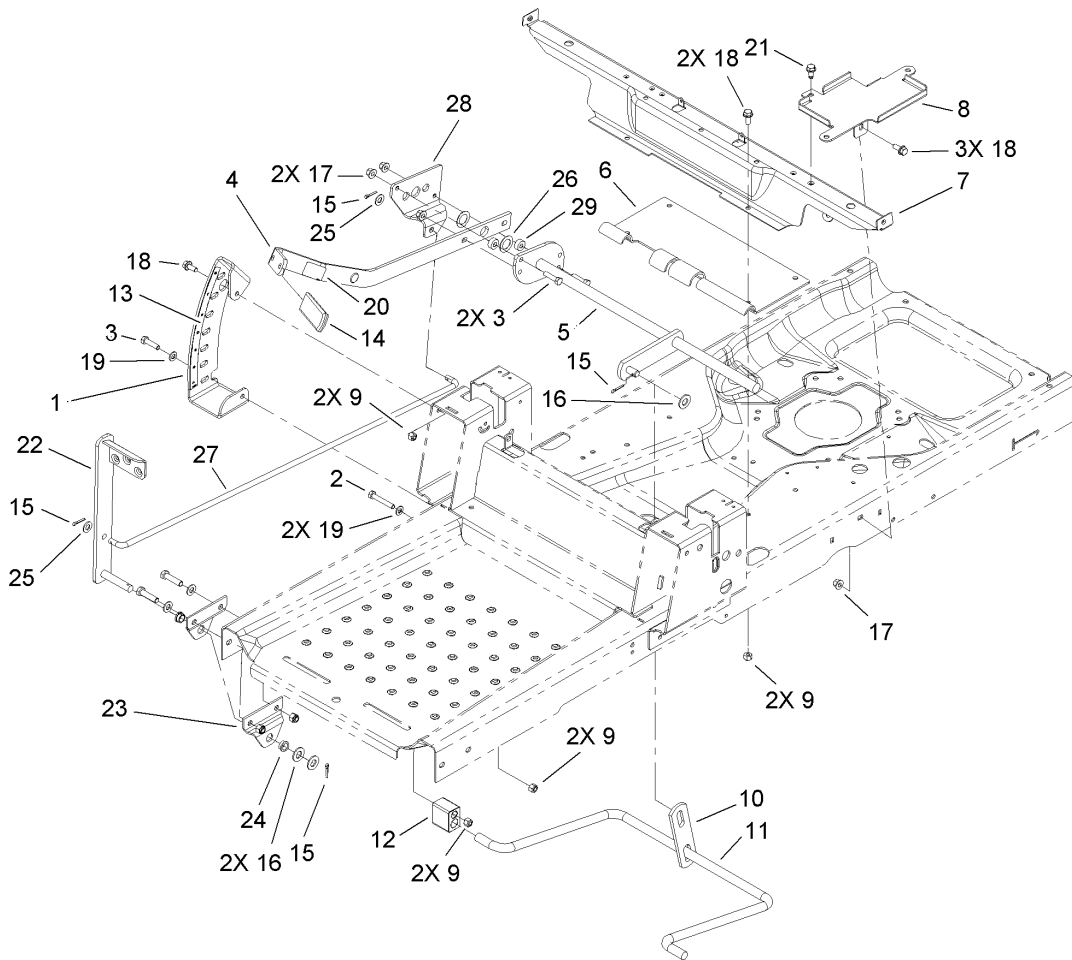
- ❶ Not illustrated
- ❷ Not serviced separately
- ❸ Obtain from your local Kawasaki dealer



### Frame Assembly

Ref	Part No.	Qty.	Description
1	110-6780-01	1	Frame
2	110-6899-03	1	Bumper-Rear
3	110-6872-03	1	Seat Control ASM
4	108-7882-01	1	Front Axle ASM
5	110-6785	2	Castor Wheel ASM
5:1	110-6791	1	Tire-Smooth
5:2	302-5	1	Fitting-Grease
5:3	232-27	1	Stem-Valve
5:5	114-1640	2	Bushing-Flange
5:99	93-4244	1	Tube-Inner (W/Valve)
6	104-3667	2	Spanner-Wheel
7	325-22	2	Screw-HH
8	32128-23	2	Nut-HF
9	108-7851-01	2	Caster Fork ASM
10	110-6767	2	Washer-Thrust
11	1-303514	4	Bearing-Flanged
12	104-8076	2	Washer
13	32151-103	2	Ring-Snap
14	61-9780	2	Cap-Hub
15	3234-47	7	Screw-HHF
16	108-7855-03	1	Footrest
17	3296-29	7	Nut-Lock, NI
18	32104-32	2	Screw-HWH
19	302-5	2	Fitting-Grease

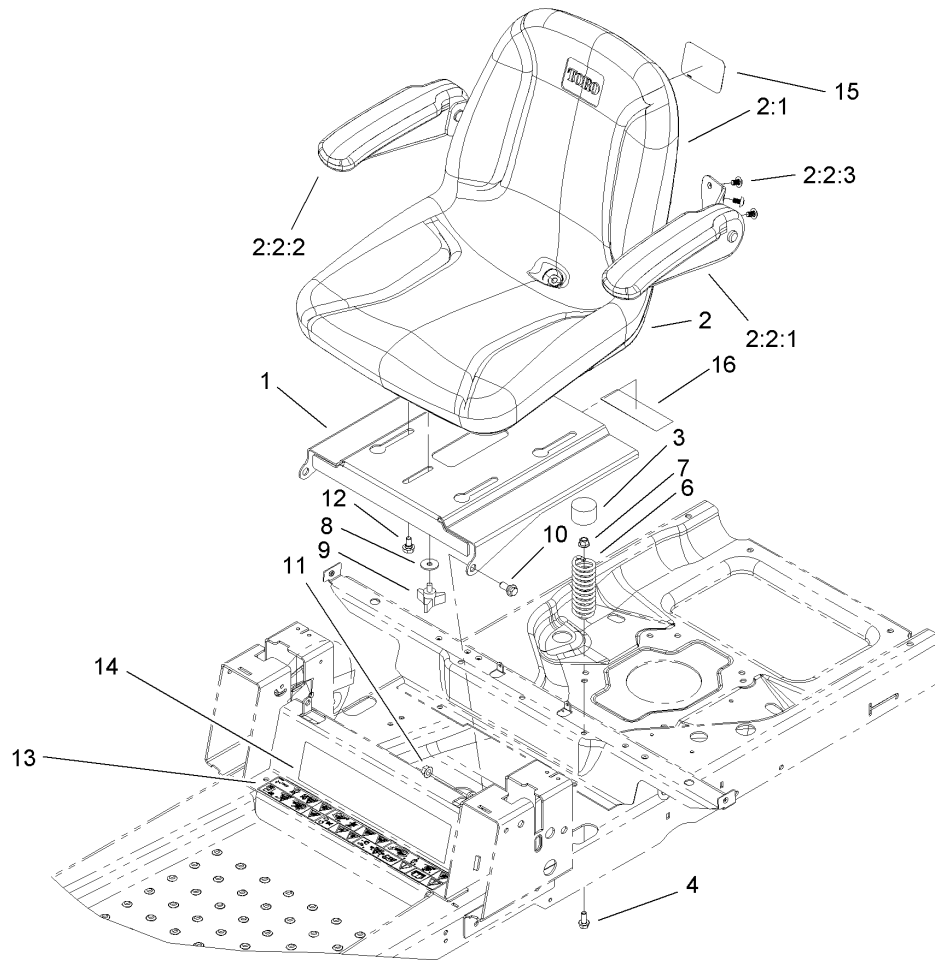
Ref	Part No.	Qty.	Description
20	323-8	4	Screw-HH
21	80-6990	2	Washer-Hardened
22	3296-39	8	Nut-Lock, NI
23	323-13	4	Screw-HH
24	99-2385	1	Decal
25	3256-24	10	Washer-Flat



## Deck Lift and Seat Support Assembly

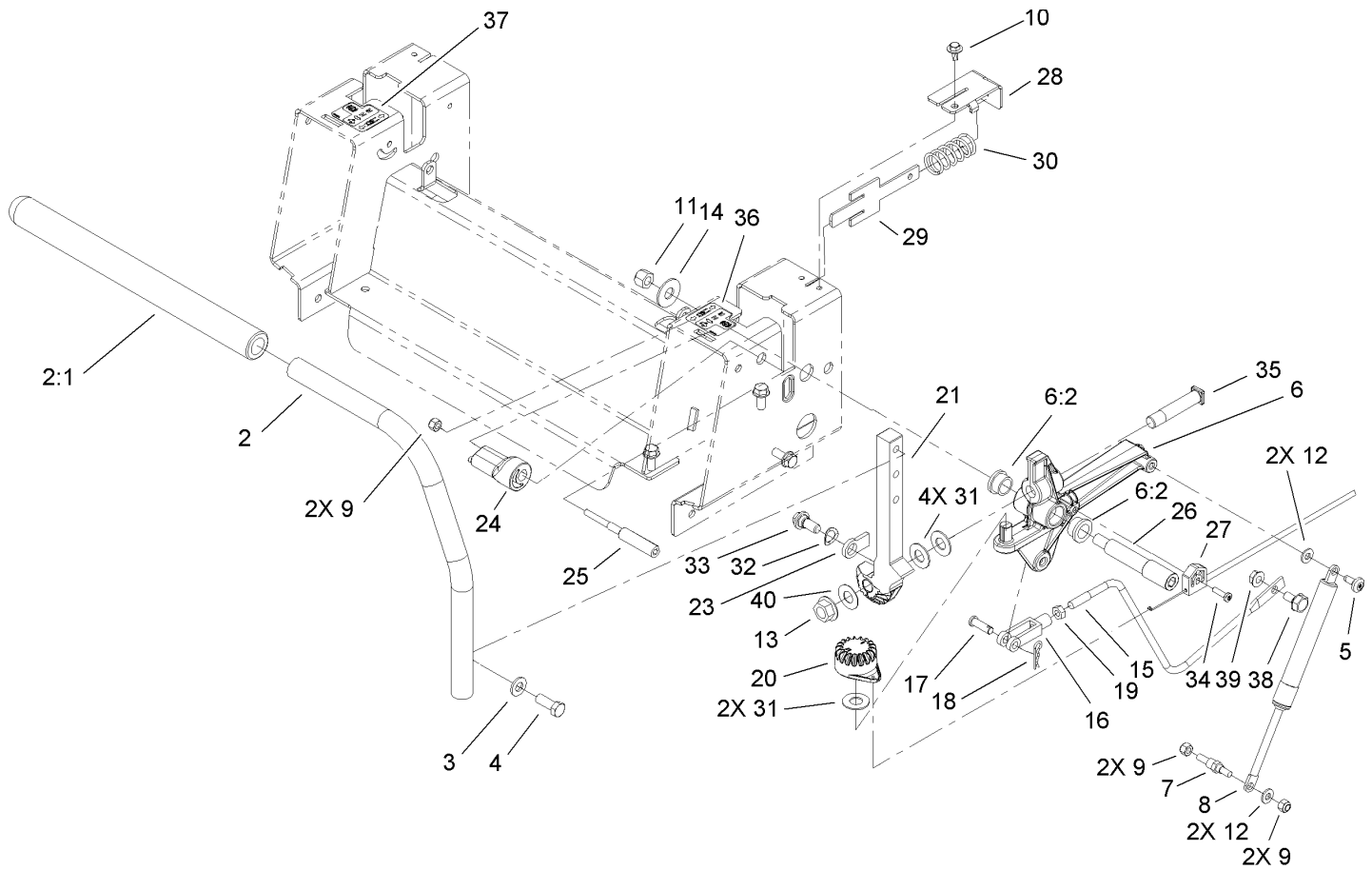
Ref	Part No.	Qty.	Description
1	112-4027-03	1	Sector-HOC
2	322-10	2	Screw-HH
3	322-6	3	Screw-HH
4	112-3960-03	1	Lift Arm ASM
5	108-7841-03	1	Lift Lever ASM
6	110-6800-03	1	Plate-Lift
7	110-6805-03	1	Bracket-Seat/Pods
8	110-1937-03	1	Tray-Battery
9	3296-29	8	Nut-Lock, NI
10	108-7840	1	Link-Lift
11	108-7839	1	Arm-Lift, Rear
12	108-7845	2	Block-Pivot
13	112-9802	1	Decal-HOC
14	105-3450	1	Grip-Lever, Lift
15	3272-10	4	Pin-Cotter
16	3256-26	3	Washer-Flat
17	3296-58	3	Nut-Lock, NI
18	3234-47	6	Screw-HHF
19	3256-23	3	Washer-Flat
20	106-8743	1	Decal
21	32104-32	1	Screw-HWH
22	112-4018-03	1	Pedal ASM
23	112-3954-03	2	Bracket-Footlift
24	256-156	2	Bushing-Flange

Ref	Part No.	Qty.	Description
25	3256-24	2	Washer-Flat
26	3-6498	2	Washer-Thrust
27	112-3958	1	Rod-Lift
28	112-3959	1	Plate-Footlift
29	112-3961	2	Spacer



## Seat Assembly

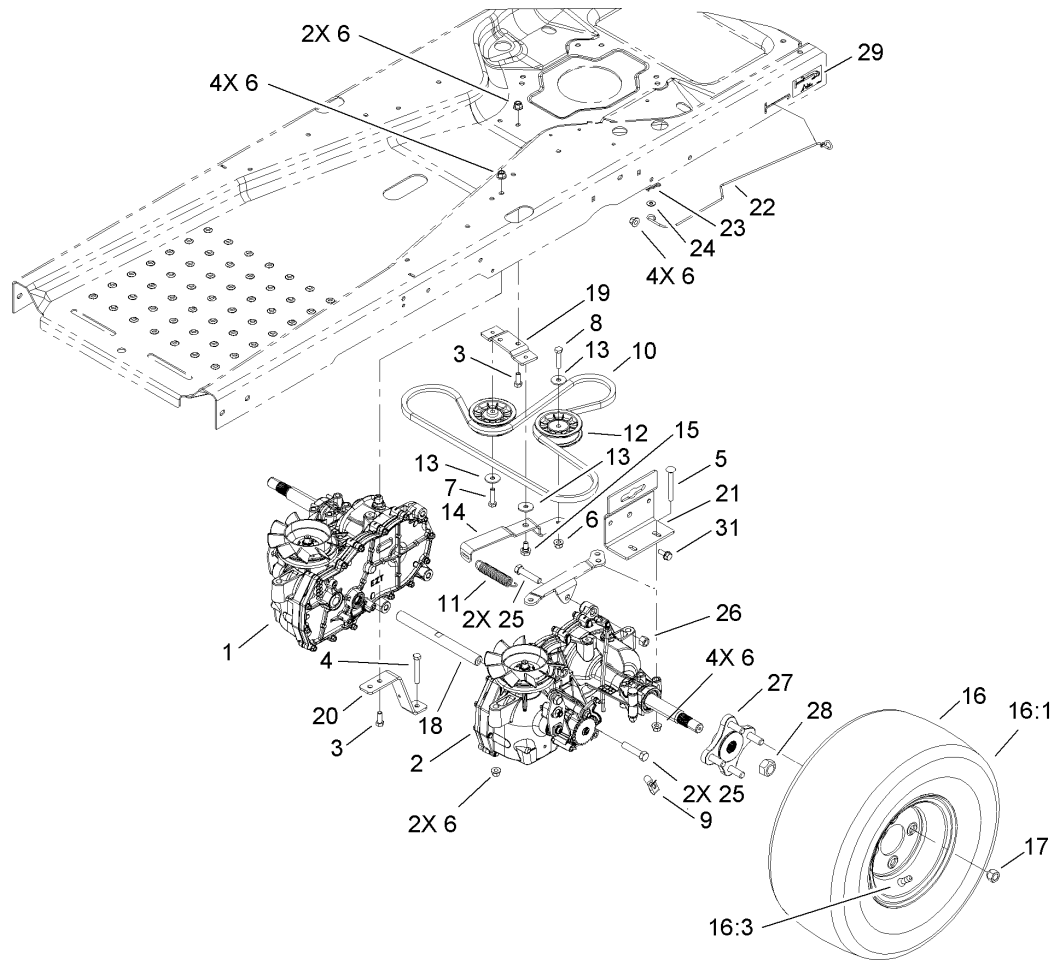
Ref	Part No.	Qty.	Description	
1	110-6679-03	1	Base-Seat	
2	110-6776	1	18 Inch Seat ASM	
2:1	110-6772	1	Seat-18 Inch	
① 2:2		1	Armrest Kit	
2:2:1	110-6569	1	LH Armrest Kit	
2:2:2	110-6570	1	RH Armrest Kit	
2:2:3	108-6179	6	Screw-HSBH	
3	701178	2	Cap-Protector	
4	3234-47	2	Screw-HHF	
6	92-7054	2	Spring-Compression	
7	3296-58	2	Nut-Lock, NI	
8	5-4460	1	Washer-Pivot	
9	92-9674	1	Knob	
10	94-7582	2	Bolt-Shoulder	
11	32128-21	2	Nut-HF	
12	37-8771	4	Bolt-Shoulder	
13	110-6825	1	Decal-Danger	
14	112-9766	1	Decal-Timecutter	
15	99-2385	1	Decal	
16	106-8717	1	Decal-Service	



## Control Assembly

Ref	Part No.	Qty.	Description
1	110-6814	1	RH Handle ASM
1:1	108-6187	1	Grip
2	110-6815	1	LH Handle ASM
2:1	108-6187	1	Grip
3	3256-24	4	Washer-Flat
4	323-6	4	Screw-HH
5	112-4004	2	Screw-Shoulder
6	110-6828	2	Activator Arm ASM
6:2	105-3455	2	Bushing
7	110-6810	2	Stud-Damper
8	103-2913	2	Damper-Control, Motion
9	3296-42	6	Nut-Lock, NI
10	46-8560	2	Screw-HHF
11	3296-48	2	Nut-Lock, NI
12	3256-22	4	Washer-Flat
13	32128-23	2	Nut-HF
14	3256-5	2	Washer-Flat
15	110-6693	2	Link-Hydro
16	1-303105	2	Yoke-Adjustable
17	1-808280	2	Pin-Clevis
18	1-806003	2	Pin-Hair
19	3220-2	2	Nut-Jam
20	110-6845	2	Gear-Control
21	110-6783	1	Arm-Actuator, LH

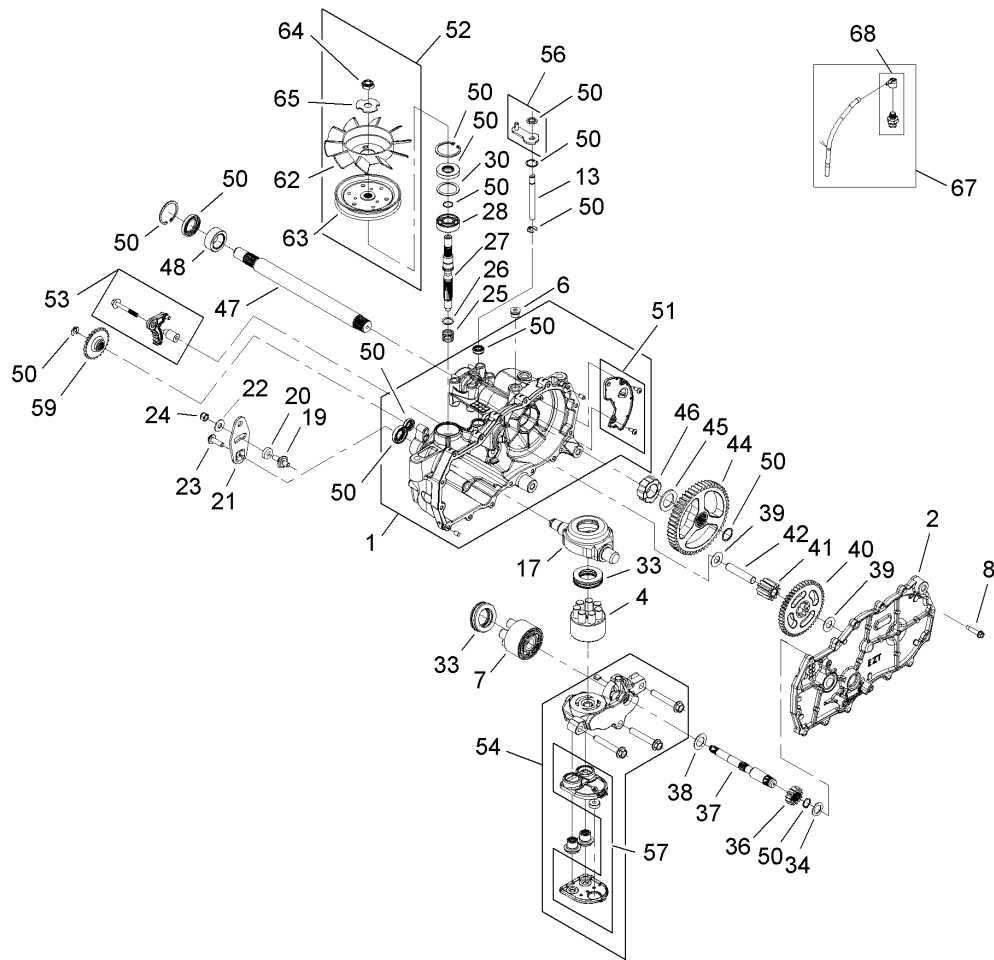
Ref	Part No.	Qty.	Description
22	110-6782	1	Arm-Actuator, RH
23	110-6856	2	Tab-Stop
24	110-6873	2	Eccentric
25	110-6874	2	Screw-Eccentric
26	110-6875	2	Bolt-Shoulder
27	110-6858	2	Cable-Brake, Parking
28	110-6751	2	Bracket-Return
29	110-6750	2	Plate-Return
30	110-6752	2	Spring
31	110-6894	6	Washer-Pivot
32	3290-221	2	Washer-Spring
33	94-7582	2	Bolt-Shoulder
34	110-0863	2	Screw-Torx
35	110-6784	2	Bolt-Shoulder
36	112-9750	1	Decal-Control Lever, LH
37	112-9751	1	Decal-Control Lever, RH
38	37-8771	2	Bolt-Shoulder
39	3296-58	2	Nut-Lock, NI
40	112-9771	2	Washer-Teflon



## Hydro Drive Assembly

Ref	Part No.	Qty.	Description
1	110-6771	1	Hydro-RH
2	110-6770	1	Hydro-LH
3	322-4	2	Screw-HH
4	322-11	2	Screw-HH
5	3230-9	4	Screw-CARR
6	3296-58	17	Nut-Lock, NI
7	322-6	1	Screw-HH
8	322-7	1	Screw-HH
9	110-6677	2	Clip-Spring
10	110-6774	1	V-Belt
11	63-1590	1	Spring-Idler
12	110-6775	2	Pulley-Idler
13	5-4460	3	Washer-Pivot
14	110-1925	1	Arm-Idler
15	37-8771	1	Bolt-Shoulder
16	110-6883	2	Wheel And Tire ASM
16:1	110-6887	1	Tire
16:3	232-27	1	Stem-Valve
●16:99	232-37	1	Tube
17	242-50	8	Nut-Lug
18	110-6807	1	Shaft-Cross
19	110-1926	1	Plate-Pivot
20	110-6806-03	2	Strap-Torque
21	110-6878-03	2	Support-Hydro

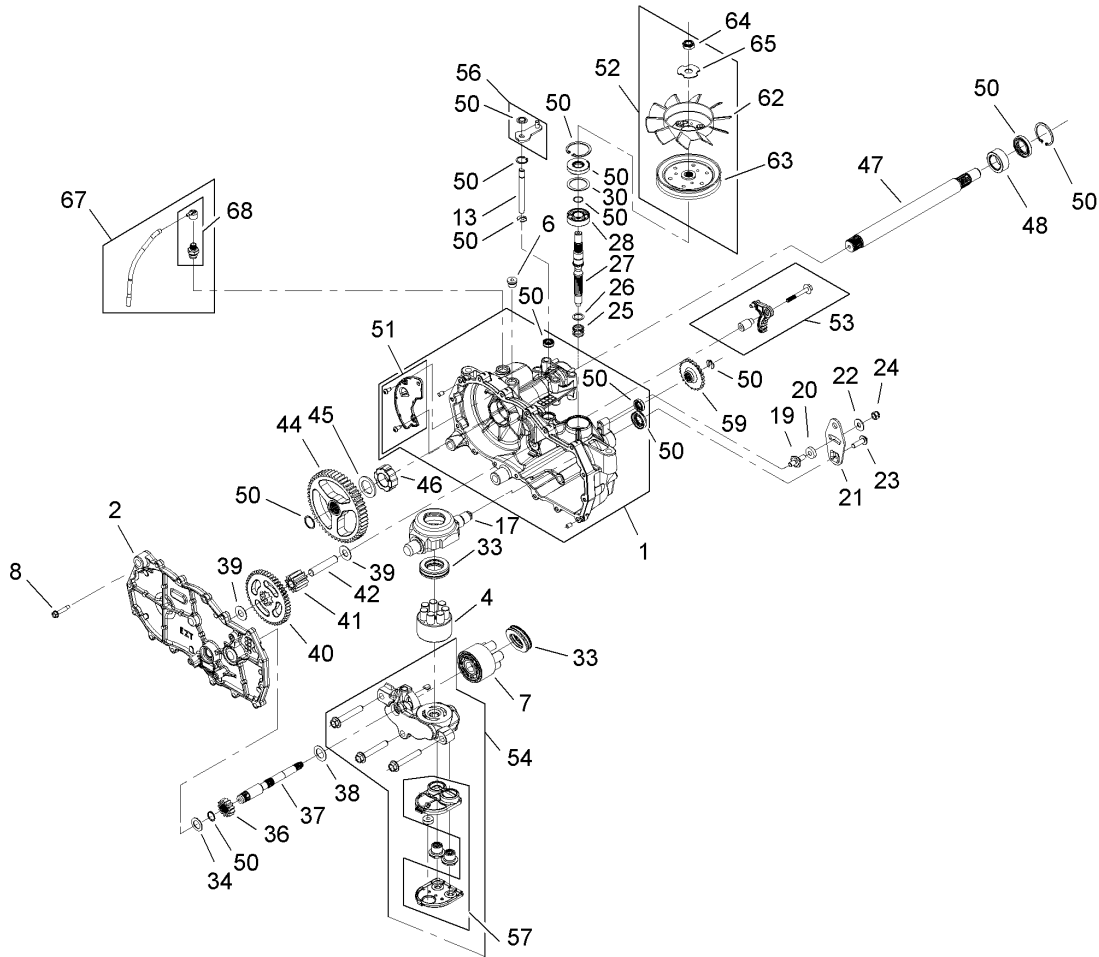
Ref	Part No.	Qty.	Description
22	110-6787	2	Rod-Bypass
23	1-806003	2	Pin-Hair
24	3256-22	2	Washer-Flat
25	324-8	4	Screw-HH
26	3296-48	2	Nut-Lock, NI
27	112-3979	2	Hub ASM
28	112-3982	2	Nut-Lock
29	110-6680	1	Decal-Transport, LH
●30	110-6690	1	Decal-Transport, RH
31	3234-47	8	Screw-HHF



## RH Hydro No. 110-6771 Assembly

Ref	Part No.	Qty.	Description
1	114-1630	1	RH Main Housing ASM
2	114-1631	1	RH Side ASM
4	110-8561	1	Pump Block ASM
6	112-9850	1	Plug
7	103-2666	1	Cylinder Block Kit
8	104-5305	16	Screw-HHF
13	106-8678	1	Rod-Bypass
17	104-5304	1	Swashplate-Trunnion
19	104-2116	1	Stud
20	112-9853	1	Puck-Friction
21	106-8747	1	Arm-Control
22	5-4460	1	Washer-Pivot
23	107-2488	1	Screw
24	105-1872	1	Nut
25	94-1936	1	Spring-Block
26	94-1937	1	Washer-Block, Thrust
27	104-5306	1	Shaft-Input
28	104-5311	1	Bearing-Ball
30	104-5308	1	Spacer
33	94-6922	2	Bearing-Thrust
34	104-5339	1	Washer-Flat
36	104-5316	1	Gear-Pinnion, 13T
37	114-1632	1	Shaft, Motor
38	104-5360	1	Washer-Shaft, Motor

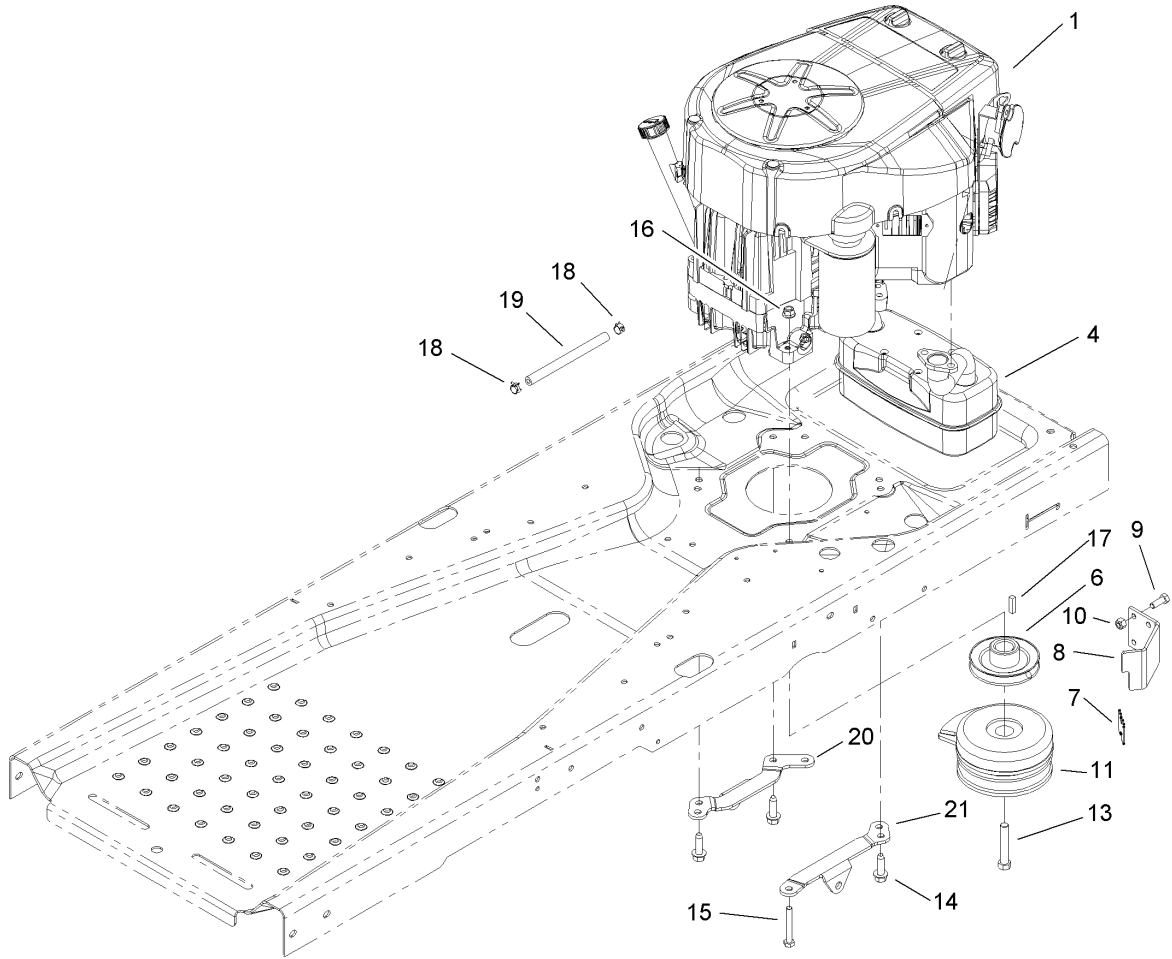
Ref	Part No.	Qty.	Description
39	94-1933	2	Washer
40	104-5317	1	Gear
41	104-5318	1	Gear-Jackshaft, 10T
42	104-5329	1	Pin-Jackshaft
44	112-9855	1	Gear-52T Bull
45	112-9856	1	Washer
46	112-9857	1	Bearing-Sleeve
47	112-9858	1	Shaft-Axle
48	112-9859	1	Bushing-Axle
50	106-8686	1	Seal Kit
51	106-8697	1	RH Expansion Plate Kit
52	106-8698	1	Fan Pulley Kit
53	114-1633	1	Brake Arm Kit
54	112-9861	1	RH Center Section Filter Kit
55	112-9863	1	Tube-Sealant
56	107-2489	1	Bypass Arm Kit
57	114-1634	1	Filter Kit
59	106-8694	1	Disc-Brake, Cog
62	110-8566	1	Fan-6 Inch, 10 Blade
63	104-1754	1	Pulley
64	105-1875	1	Nut-Lock
65	107-9122	1	Washer-Slotted
67	112-9866	1	Breather Kit
68	114-1635	1	Breather ASM



## LH Hydro No. 110-6770 Assembly

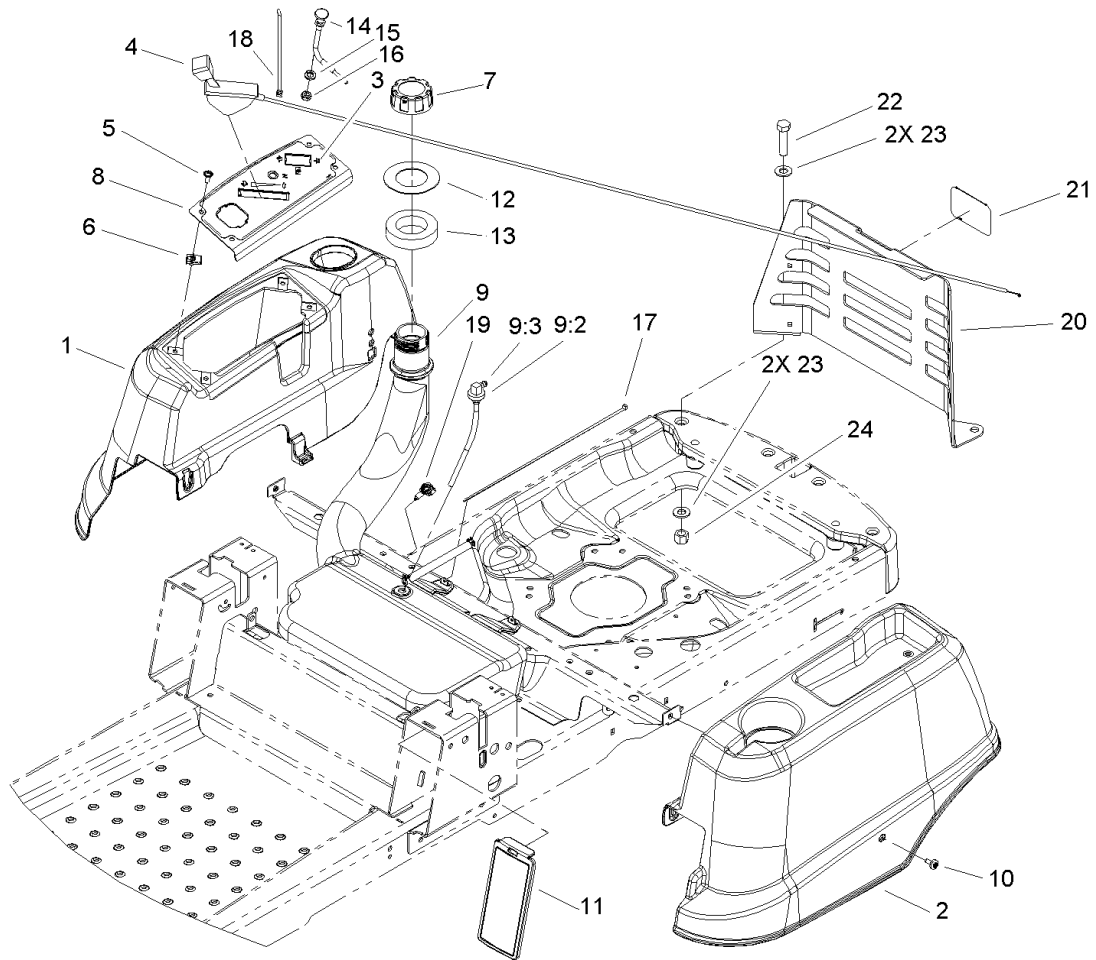
Ref	Part No.	Qty.	Description
1	114-1636	1	LH Main Housing ASM
2	114-1637	1	LH Side ASM
4	110-8561	1	Pump Block ASM
6	112-9850	1	Plug
7	103-2666	1	Cylinder Block Kit
8	104-5305	16	Screw-HHF
13	106-8678	1	Rod-Bypass
17	104-5304	1	Swashplate-Trunnion
19	104-2116	1	Stud
20	112-9853	1	Puck-Friction
21	106-8747	1	Arm-Control
22	5-4460	1	Washer-Pivot
23	107-2488	1	Screw
24	105-1872	1	Nut
25	94-1936	1	Spring-Block
26	94-1937	1	Washer-Block, Thrust
27	104-5306	1	Shaft-Input
28	104-5311	1	Bearing-Ball
30	104-5308	1	Spacer
33	94-6922	2	Bearing-Thrust
34	104-5339	1	Washer-Flat
36	104-5316	1	Gear-Pinnion, 13T
37	114-1632	1	Shaft, Motor
38	104-5360	1	Washer-Shaft, Motor

Ref	Part No.	Qty.	Description
39	94-1933	2	Washer
40	104-5317	1	Gear
41	104-5318	1	Gear-Jackshaft, 10T
42	104-5329	1	Pin-Jackshaft
44	112-9855	1	Gear-52T Bull
45	112-9856	1	Washer
46	112-9857	1	Bearing-Sleeve
47	112-9858	1	Shaft-Axle
48	112-9859	1	Bushing-Axle
50	106-8686	1	Seal Kit
51	106-8687	1	LH Expansion Plate Kit
52	106-8698	1	Fan Pulley Kit
53	114-1633	1	Brake Arm Kit
54	112-9862	1	LH Center Section Filter Kit
55	112-9863	1	Tube-Sealant
56	107-2489	1	Bypass Arm Kit
57	114-1634	1	Filter Kit
59	106-8694	1	Disc-Brake, Cog
62	110-8566	1	Fan-6 Inch, 10 Blade
63	104-1754	1	Pulley
64	105-1875	1	Nut-Lock
65	107-9122	1	Washer-Slotted
67	112-9866	1	Breather Kit
68	114-1635	1	Breather ASM



## Engine and Clutch Assembly

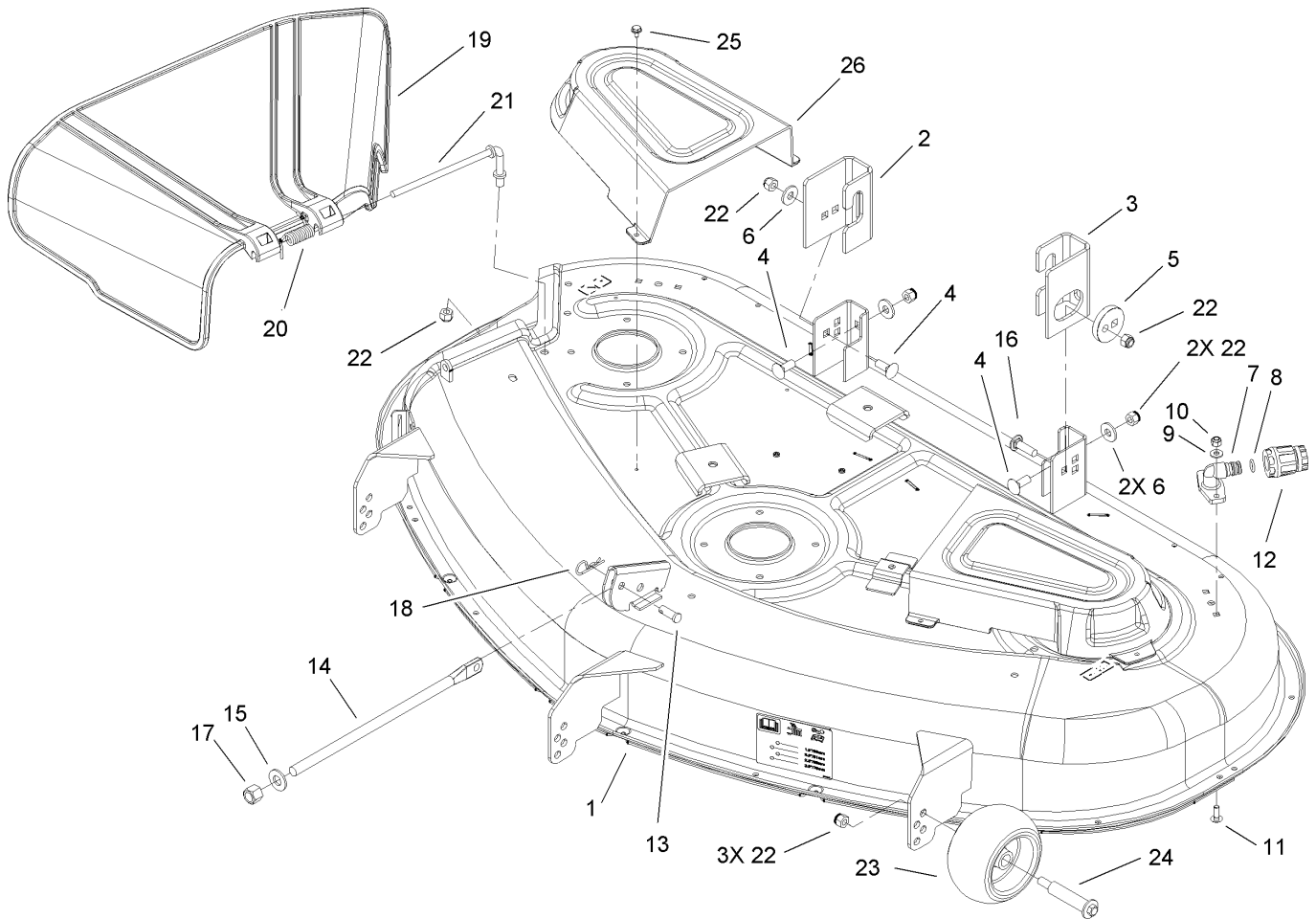
Ref	Part No.	Qty.	Description
② ③ 1		1	Engine-Kawasaki, FH641V-As31-R
4	112-4020	1	Muffler-Kawasaki Twin
6	110-6758	1	Pulley-Engine
7	112-3974	1	Bumper
8	110-6896	1	Stop-Clutch
9	322-4	2	Screw-HH
10	3296-29	2	Nut-Lock, NI
11	110-6766	1	Clutch-Electric, PTO
13	3212-11	1	Screw-HH
14	32144-109	3	Screw
15	322-9	1	Screw-HH
16	3296-58	1	Nut-Lock, NI
17	5-7280	1	Key
18	2412-98	2	Clamp
19	112-9836	1	Hose-Fuel
20	110-6798	1	Support-Hydro, RH
21	110-6799	1	Support-Hydro, LH

## Styling and Fuel System Assembly

Ref	Part No.	Qty.	Description
1	110-1901	1	Pod-RH
2	110-1902	1	Pod-LH
3	110-6654	1	Decal-Panel, Control
4	112-9752	1	Cable-Throttle
5	3258-166	4	Screw-PRH
6	107069	4	Clip
7	93-7198	1	Gas Cap ASM
8	110-1927-03	1	Panel-Control
9	110-6890	1	Fuel Tank ASM
9:2	46-6560	1	Bushing
9:3	95-3970	1	Fitting-90 Degree
10	112-4004	6	Screw-Shoulder
11	110-6786	2	Cover-Control
12	112-9760	1	Washer-Rubber
13	55-9310	1	Seal-Foam
14	112-9753	1	Cable-Choke
15	3253-21	1	Washer-Lock
16	3220-3	1	Nut-HJ
17	100-9064	1	Tie-Cable
18	614249	1	Strap-Tie
19	32180-037	1	Clip-Harness
20	110-6685-03	1	Support-Cover, Rear
21	99-2385	1	Decal
22	325-8	2	Screw-HH

Ref	Part No.	Qty.	Description
23	3256-26	4	Washer-Flat
24	3296-23	2	Nut-Lock, NI

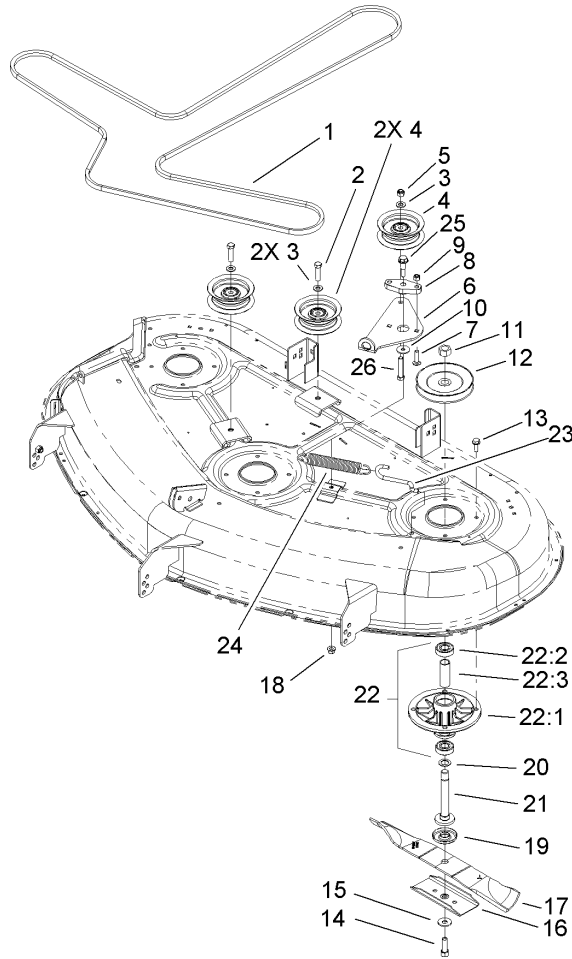


## 50 Inch Deck and Side Discharge Assembly

Ref	Part No.	Qty.	Description
1	110-6790	1	50 Inch Deck ASM
2	108-7836	1	Bracket-Hanger, Right Rear
3	108-7838	1	Bracket-Hanger, Left Rear
4	3231-2	3	Screw-CARR
5	112-3980	1	Eccentric
6	80-6990	3	Washer-Hardened
7	95-2747	2	Fitting-Washout
8	46-6290	2	O-Ring
9	3256-22	4	Washer-Flat
10	3296-42	4	Nut-Lock, NI
11	3229-1	4	Screw-CARR
12	95-3270	1	Connector-Hose
13	1-808284	1	Pin-Clevis
14	108-7847	1	Rod-Lift
15	87-7270	1	Washer-Thrust
16	3231-28	1	Screw-CARR
17	3296-23	1	Nut-Lock, NI
18	9335054	1	Pin-Hair
19	108-7895	1	Deflector-50 Inch
20	110-6694	1	Spring-Torsion
21	112-3950	1	Rod-Pivot
22	3296-39	8	Nut-Lock, NI
23	1-603299	3	Roller-Scalp, Anti
24	112-3977	3	Bolt-Shoulder

Ref	Part No.	Qty.	Description
25	32104-76	6	Screw
26	108-7890	2	Cover-Belt

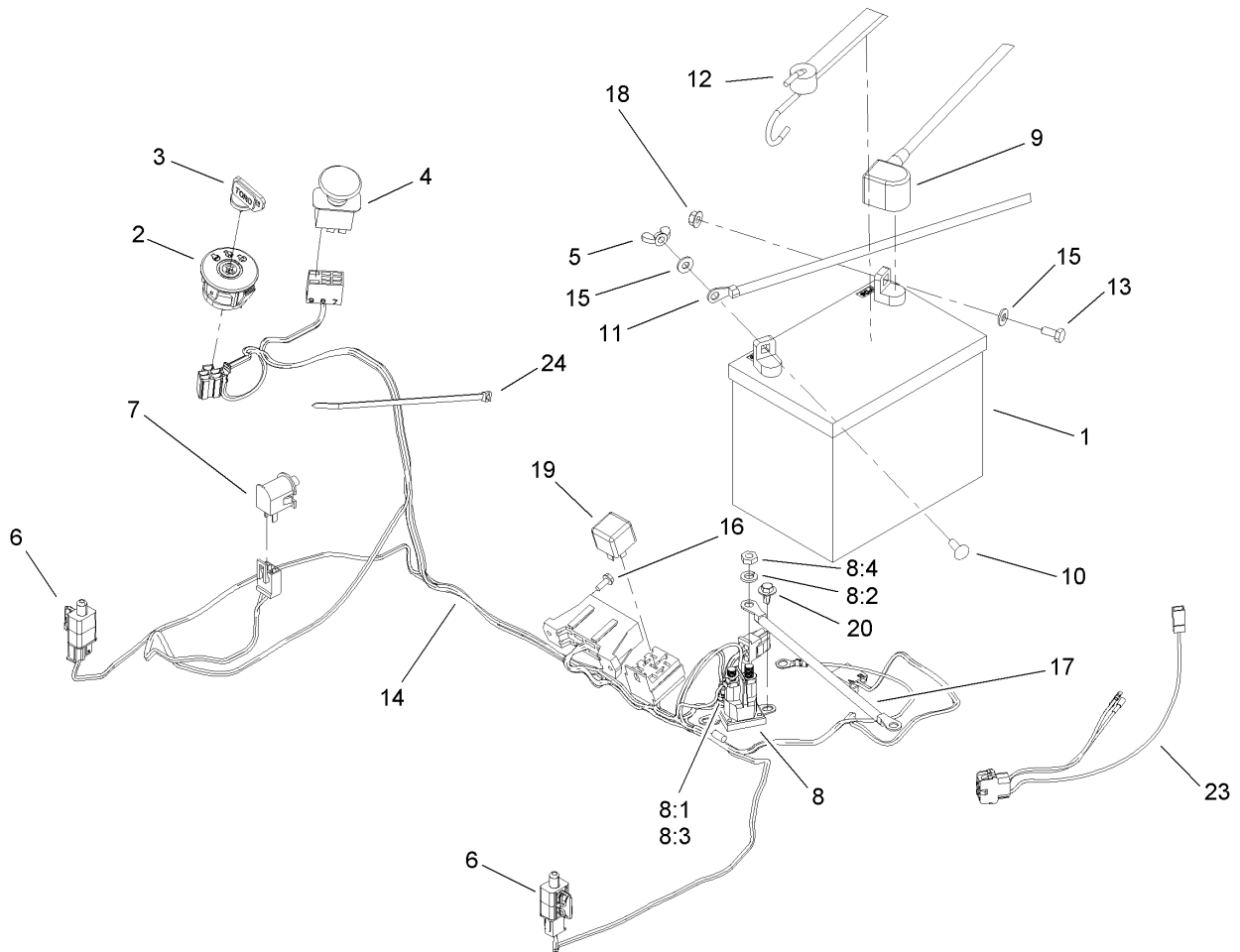




## 50 Inch Deck Spindle and Belt Drive Assembly

Ref	Part No.	Qty.	Description
1	110-6892	1	V-Belt
2	323-8	2	Screw-HH
3	3256-24	3	Washer-Flat
4	106-2175	3	Pulley-Idler, Flat
5	3296-39	1	Nut-Lock, NI
6	110-6867-03	1	Arm-Idler
7	3230-3	2	Screw-CARR
8	108-7881	1	Bushing-Pivot
9	3296-29	2	Nut-Lock, NI
10	5-4460	1	Washer-Pivot
11	3219-6	3	Nut-Hex
12	110-6865	3	Pulley
13	32144-41	12	Screw-Taptite
14	26-0671	3	Screw-Blade
15	3290-465	3	Washer-Belleville
16	106-2248-03	3	Stiffener-Blade
17	110-6837-03	3	Blade-17.5 Inch, High Lift
18	3296-58	1	Nut-Lock, NI
19	80-4360	3	Shield-Bearing
20	80-4380	3	Spacer
21	110-6866	3	Shaft-Spindle
22		3	Spindle ASM
22:1	88-4510	1	Housing-Spindle
22:2	100-1048	2	Bearing-Ball

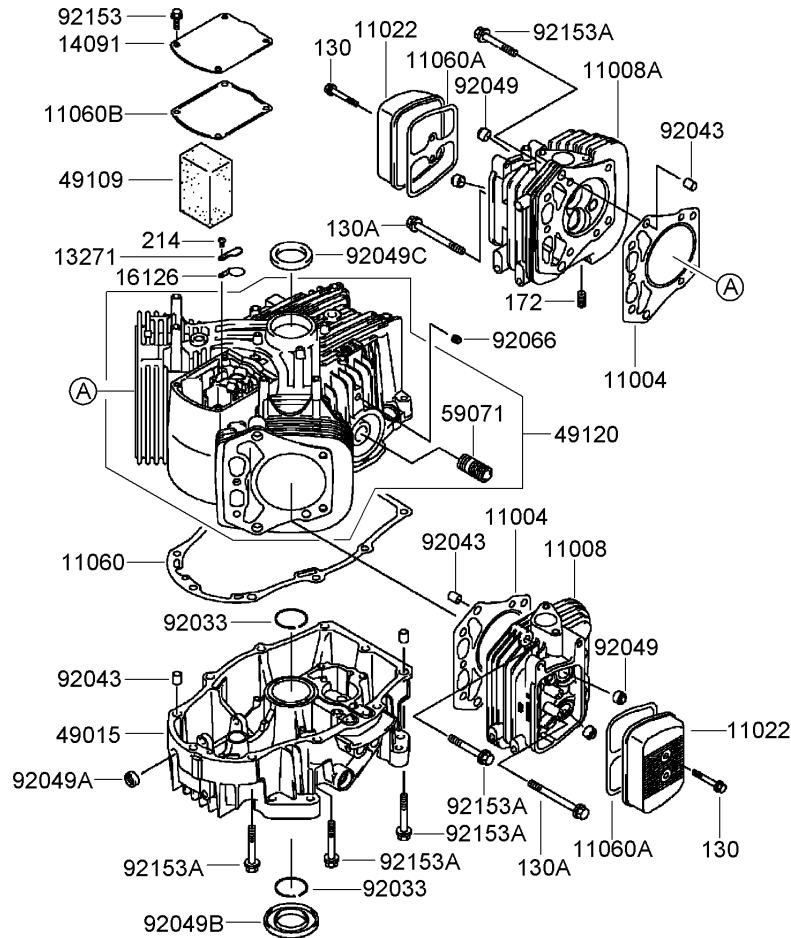
Ref	Part No.	Qty.	Description
22:3	62-3661	1	Spacer-Bearing
23	112-3973	1	Hook-Return, Spring
24	1-603414	1	Spring-Extension
25	110-6897	1	Bolt-Shoulder
26	323-10	1	Screw-HH



## Electrical Assembly

Ref	Part No.	Qty.	Description
1	104-2493	1	Battery
2	110-6764	1	Switch-Ignition
3	63-8360	1	Key-Ignition
4	93-9998	1	Switch-PTO
5	32103-22	1	Nut-Wing
6	110-6765	2	Switch-Single Pole No
7	82-2190	1	Switch-Bail
8	1-513075	1	Switch-Solenoid
8:1	3253-17	2	Washer-Lock
8:2	3253-4	2	Washer-Lock
8:3	3219-14	2	Nut-Hex
8:4	3220-2	2	Nut-Jam
9	110-6794	1	Cable-Battery, Red
10	3229-1	1	Screw-CARR
11	110-6793	1	Cable-Battery, Black
12	104-2466	1	Holddown-Battery
13	321-3	1	Screw-HH
14	110-1923	1	Harness-Wire
15	3256-22	2	Washer-Flat
16	32144-1	3	Screw-Taptite
17	110-6792	1	Cable-Battery, Red
18	32128-33	2	Nut-HF
19	98-7249	1	Relay
20	46-8560	2	Screw-HHF

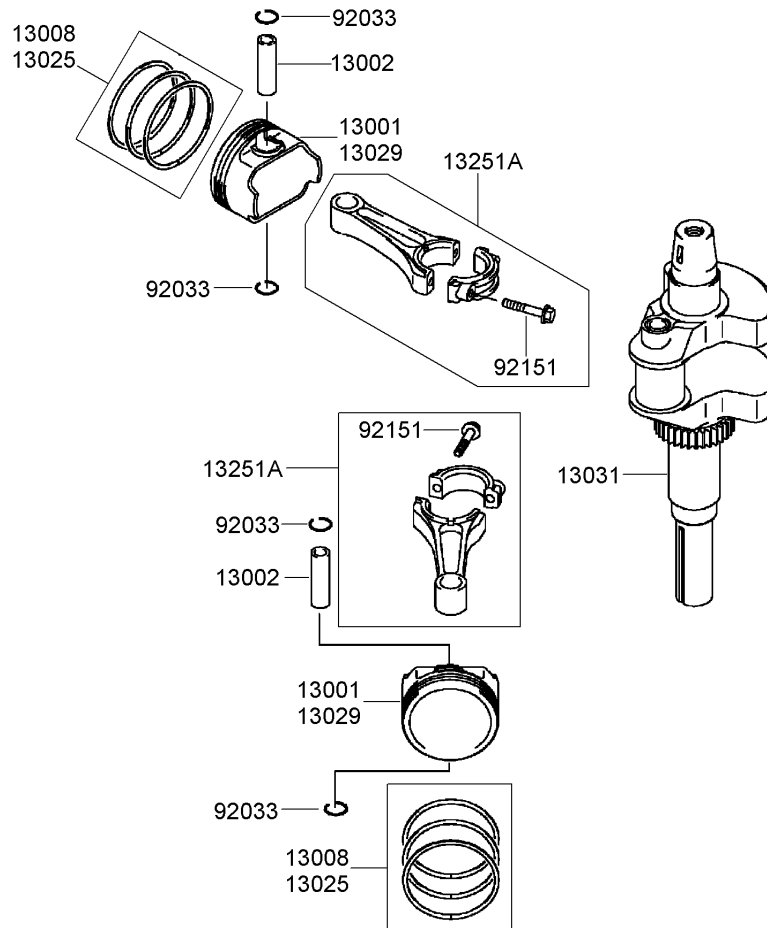
Ref	Part No.	Qty.	Description
23	112-9794	1	Harness-Adapter
24	614249	1	Strap-Tie



## Cylinder and Crankcase Assembly Kawasaki FH641V-AS31

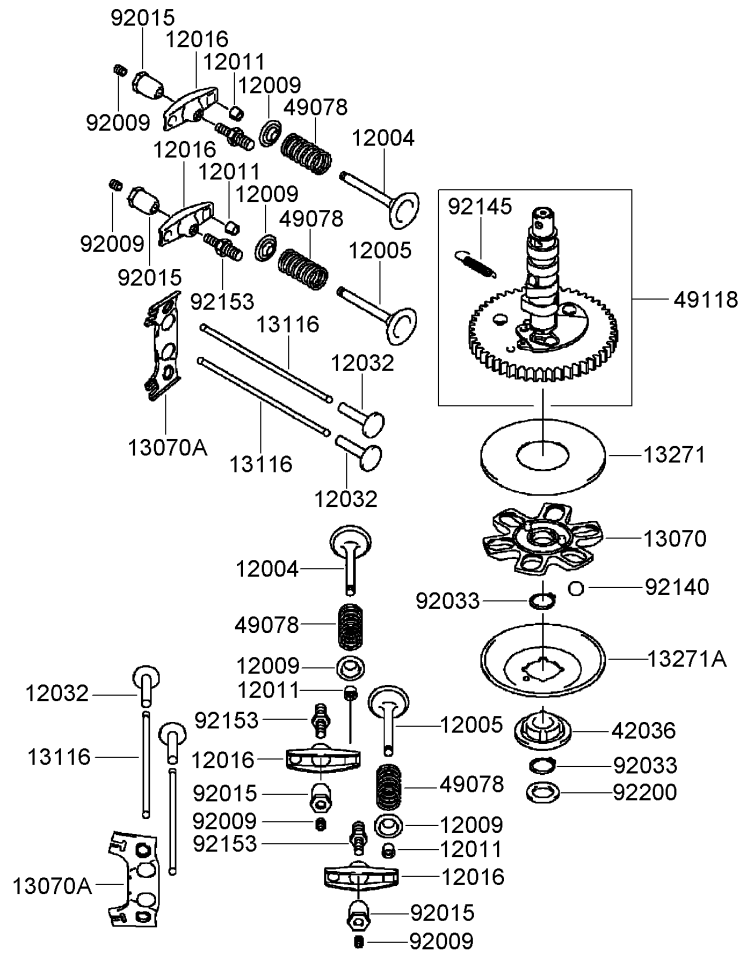
Ref	Part No.	Qty.	Description
①11004	11004-7006	2	Gasket-Head
①11008	11008-7023	1	Head-Cylinder, No.2
①11008A	11008-7024	1	Head-Cylinder, No.1
①11022	11022-7002	2	Case-Rocker
①11060	11060-7012	1	Gasket-Cover, Crankcase
①11060A	11060-7013	2	Gasket-Case, Rocker
①11060B	11060-7014	1	Gasket-Breather
①13271	13271-7006	1	Plate
①14091	14091-7004	1	Cover
①16126	16126-7001	1	Valve
①49015	49015-7064	1	Cover-Crankcase
①49109	49109-7003	1	Element-Breather
①49120	49120-7092	1	Crankcase
①59071	59071-2079	1	Joint
①92033	92033-7004	2	Ring-Snap
①92043	92043-7001	6	Pin
①92049	92049-7001	4	Seal-Oil, R V C2 (6X11X10.2)
①92049A	92049-7005	1	Seal-Oil, S O (8X14X5 H S)
①92049B	92049-7011	1	Seal-Oil, S D (35X62X8 L H S)
①92049C	92049-7014	1	Seal-Oil, S D (35X52X7 R H S)
①92066	92066-7002	1	Plug
①92153	92153-7043	4	Bolt (6X12)
①92153A	92153-7054	18	Bolt (8X50)
①130	130B0640	4	Bolt-Flanged (6X40)

Ref	Part No.	Qty.	Description
①130A	130CA0875	2	Bolt-Flanged (8X75)
①172	172G0818	4	Bolt-Stud (8X18)
①214	214B0408	1	Screw-Pan (4X8)



## Piston and Crankshaft Assembly Kawasaki FH641V-AS31

Ref	Part No.	Qty.	Description
● 13001	13001-7007	2	Piston-Engine
● 13002	13002-7001	2	Pin-Piston
● 13008	13008-6058	2	Ring Set-Piston
● 13025	13025-7002	1	Ring Set-Piston (L,0.50)
● 13029	13029-7003	1	Piston-Engine (L,0.50)
● 13031	13031-7048	1	Crankshaft
● 13251A	13251-7016	2	Connecting Rod ASM
● 92033	92033-7002	4	Ring-Snap
● 92151	92151-7017	4	Bolt (6X35)

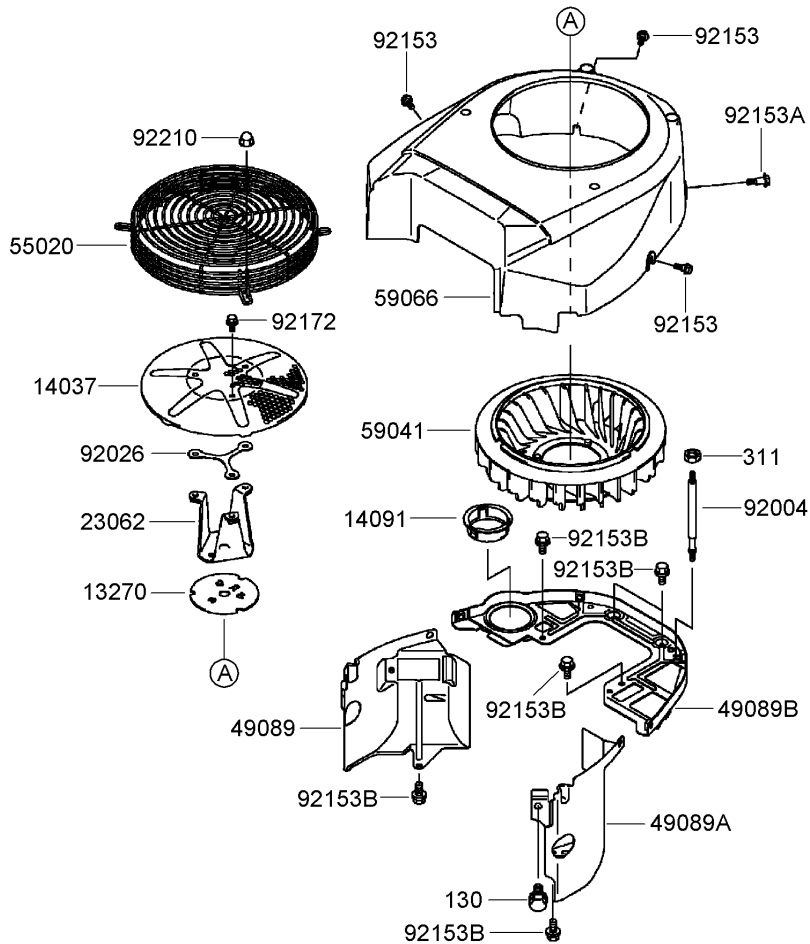


## Valve and Camshaft Assembly Kawasaki FH641V-AS31

Ref	Part No.	Qty.	Description
③12004	12004-7002	2	Valve-Intake
③12005	12005-7004	2	Valve-Exhaust
③12009	12009-7001	4	Retainer-Spring, Valve
③12011	12011-2056	8	Collet
③12016	12016-7007	4	Arm-Rocker
③12032	12032-7001	4	Tappet
③13070	13070-7004	1	Guide
③13070A	13070-7007	2	Guide
③13116	13116-7002	4	Rod-Push
③13271	13271-7007	1	Plate
③13271A	13271-7021	1	Plate-Governor
③42036	42036-7010	1	Sleeve
③49078	49078-7002	4	Spring-Valve, Engine (In)
③49118	49118-7007	1	Camshaft
③92009	92009-2341	4	Screw
③92015	92015-2253	4	Nut
③92033	92033-7001	2	Ring-Snap
③92140	92140-7002	6	Ball
③92145	92145-7001	1	Spring
③92153	92153-7019	4	Bolt
③92200	92200-7001	1	Washer

--	--	--	--



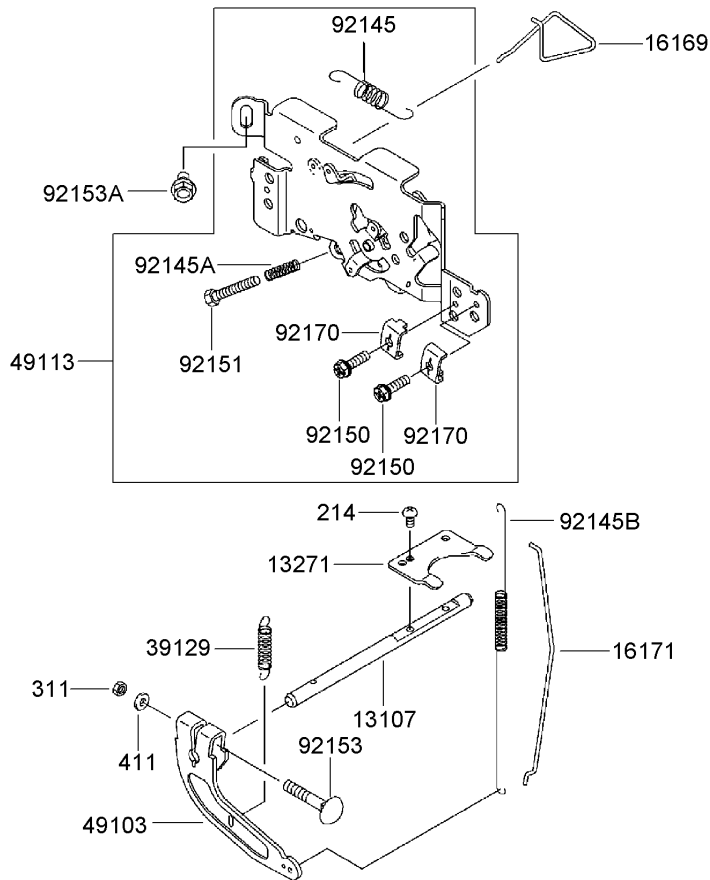


## Cooling Equipment Assembly Kawasaki FH641V-AS31

Ref	Part No.	Qty.	Description
③13270	13270-7007	1	Plate
③14037	14037-7008-9H	1	Screen
③14091	14091-7002	1	Cover
③23062	23062-7005	1	Bracket
③49089	49089-7004	1	Shroud-Engine
③49089A	49089-7005	1	Shroud-Engine
③49089B	49089-7049	1	Shroud-Engine
③55020	55020-7007	1	Guard
③59041	59041-7003	1	Fan
③59066	59066-7004	1	Housing-Fan
③92004	92004-7006	2	Stud
③92026	92026-7007	1	Spacer
③92153	92153-7007	3	Bolt
③92153A	92153-7008	1	Bolt
③92153B	92153-7043	6	Bolt (6X12)
③92172	92172-7029	3	Screw-Socket (6X12)
③92210	92210-0003	4	Nut
③130	130B0816	1	Bolt-Flanged (8X16)
③311	311B0600	2	Nut-Hex (6Mm)

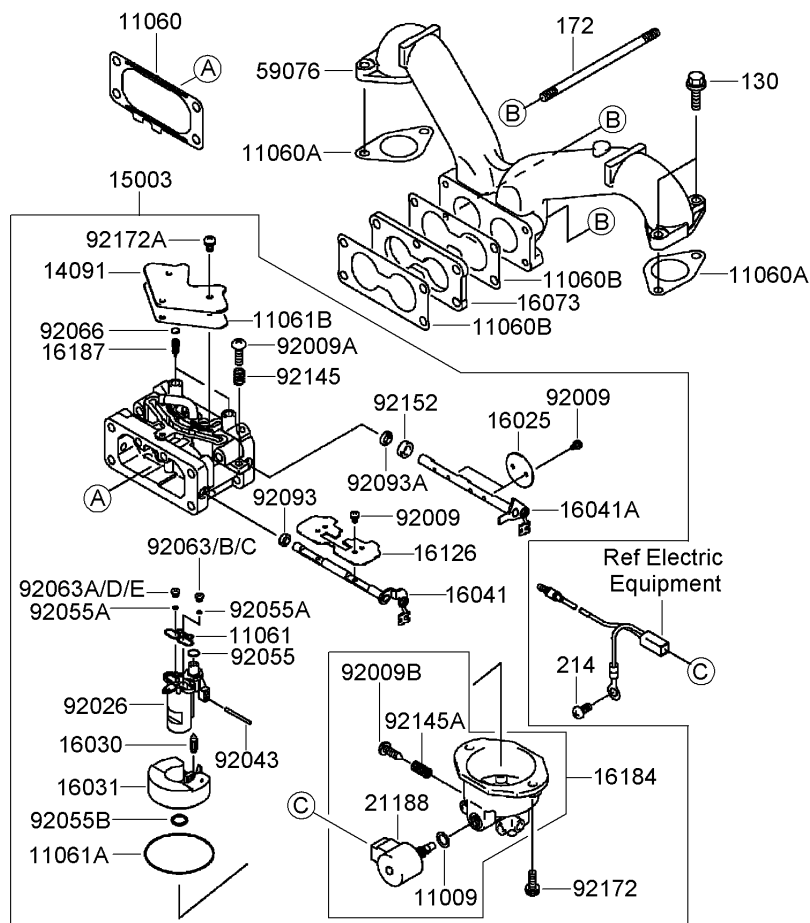
--	--	--	--





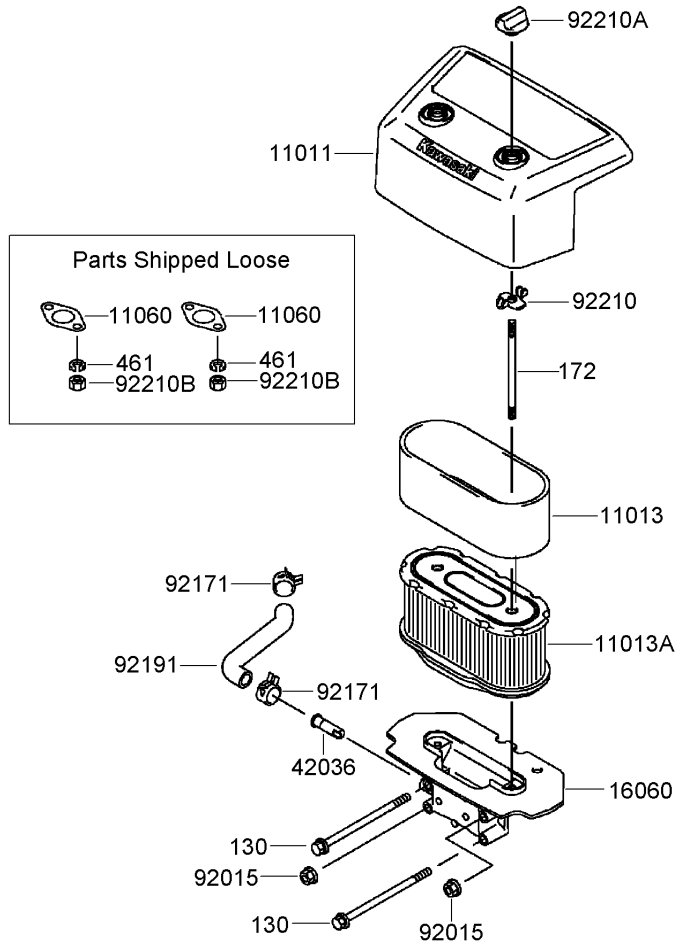
## Control Equipment Assembly Kawasaki FH641V-AS31

Ref	Part No.	Qty.	Description
●13107	13107-7013	1	Shaft
●13271	13271-7032	1	Plate
●16169	16169-7006	1	Link-Choke
●16171	16171-7004	1	Link
●39129	39129-7004	1	Spring-Governor
●49103	49103-7004	1	Arm-Governor
●49113	49113-7017	1	Panel-Control
●92145	92145-7004	1	Spring
●92145A	92145-7005	1	Spring
●92145B	92145-7034	1	Spring
●92150	92150-2182	2	Bolt (5X18)
●92151	92151-7014	1	Bolt (5X30)
●92153	92153-7033	1	Bolt (6X35)
●92153A	92153-7043	2	Bolt (6X12)
●92170	92170-7001	2	Clamp
●214	214B0408	2	Screw-Pan (4X8)
●311	311B0600	1	Nut-Hex (6Mm)
●411	411B0600	1	Washer-Plain (6Mm)

## Carburetor Assembly Kawasaki FH641V-AS31

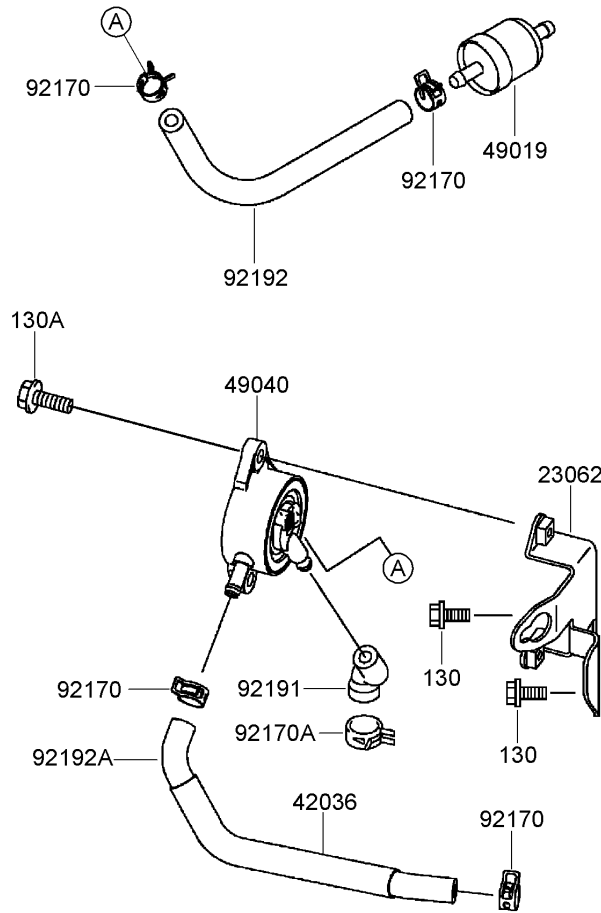
Ref	Part No.	Qty.	Description	Ref	Part No.	Qty.	Description
③11009	11009-2056	1	Gasket	③92043	92043-7014	1	Pin
③11060	11060-7009	1	Gasket-Filter, Air	③92055	92055-7012	1	O-Ring
③11060A	11060-7011	2	Gasket-Manifold	③92055A	92055-7013	2	O-Ring
③11060B	11060-7024	2	Gasket-Carburetor	③92055B	92055-7016	1	O-Ring
③11061	11061-7037	1	Gasket	③92063	92063-7051	1	Jet-Main, No.104
③11061A	11061-7038	1	Gasket	③92063A	92063-7056	1	Jet-Main, No.102
③11061B	11061-7039	1	Gasket	③92063B	92063-7075	1	Jet-Main, No.101 (3280)
③14091	14091-7031	1	Cover	③92063C	92063-7076	1	Jet-Main, No.098 (6560)
③15003	15003-7115	1	Carburetor ASM	③92063D	92063-7079	1	Jet-Main, No.099 (3280)
③16025	16025-7003	2	Valve-Throttle	③92063E	92063-7080	1	Jet-Main, No.096 (6560)
③16030	16030-7004	1	Valve-Float	③92066	92066-7009	2	Plug, Extension
③16031	16031-7003	1	Float	③92093	92093-7001	1	Seal (I D 5.9)
③16041	16041-7021	1	Shaft-Carburetor	③92093A	92093-7002	1	Seal (I D 6.9)
③16041A	16041-7023	1	Shaft-Carburetor	③92145	92145-7010	1	Spring
③16073	16073-7005	1	Insulator	③92145A	92145-7011	1	Spring
③16126	16126-7015	1	Valve	③92152	92152-7005	1	Collar
③16184	16184-7017	1	Chamber Float ASM	③92172	92172-7005	2	Screw
③16187	16187-7002	2	Needle-Jet	③92172A	92172-7006	3	Screw
③21188	21188-7003	1	Solenoid	③130	130B0620	4	Bolt-Flanged (6X20)
③59076	59076-7002	1	Manifold-Intake	③172	172G06105	2	Bolt-Stud (6X10.5 )
③92009	92009-7003	6	Screw	③214	214B0510	1	Screw-Pan (5X10)
③92009A	92009-7004	1	Screw				
③92009B	92009-7006	1	Screw-Drain				
③92026	92026-7011	1	Spacer				



## Air Filter and Muffler Assembly Kawasaki FH641V-AS31

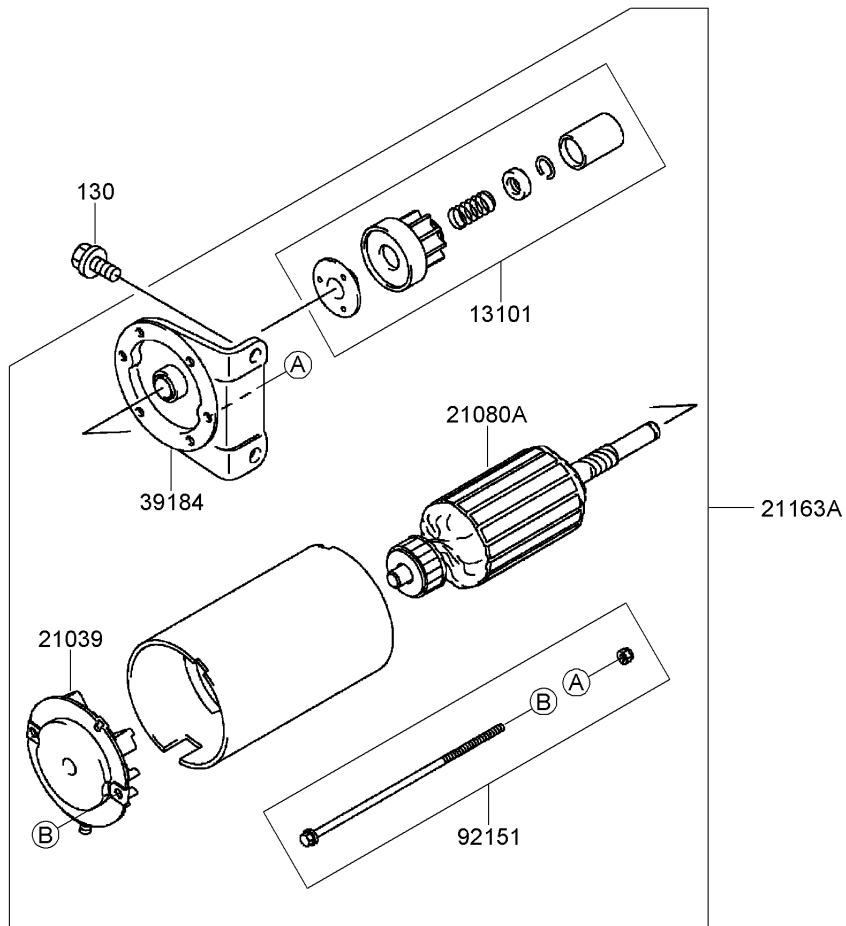
Ref	Part No.	Qty.	Description
①11011	11011-7042	1	Case-Air Filter
①11013	11013-7009	1	Element-Filter, Air
①11013A	11013-7027	1	Element-Filter, Air
①11060	11060-7016	2	Gasket-Muffler
①16060	16060-7001	1	Pipe-Intake
①42036	42036-7002	1	Sleeve
①92015	92015-1193	2	Nut
①92171	92171-7013	2	Clamp
①92191	92191-7006	1	Tube
①92210	92210-7004	2	Nut
①92210A	92210-7019	2	Nut
①92210B	92210-7027	4	Nut (M8)
①130	130B06105	2	Bolt-Flanged (6X10.5)
①172	172G0690	2	Bolt-Stud (6X90)
①461	461F0800	4	Washer-Spring (8Mm)

--	--	--	--



## Fuel Tank and Valve Assembly Kawasaki FH641V-AS31

Ref	Part No.	Qty.	Description
③23062	23062-7004-9H	1	Bracket
③42036	42036-7008	1	Sleeve
③49019	49019-7001	1	Filter-Fuel
③49040	49040-7001	1	Pump-Fuel
③92170	92170-2088	4	Clamp
③92170A	92170-7003	1	Clamp
③92191	92191-7027	1	Tube
③92192	92192-7037	1	Tube (6.35X12.7X160)
③92192A	92192-7039	1	Tube (6.35X12.7X200)
③130	130B0616	2	Bolt-Flanged (6X16)
③130A	130B0620	2	Bolt-Flanged (6X20)



## Starter Assembly Kawasaki FH641V-AS31

Ref	Part No.	Qty.	Description
● 13101	13101-7003	1	Gear ASM
● 21039	21039-7004	1	Brush
● 21080A	21080-7005	1	Armature
● 21163A	21163-7022	1	Starter-Electric
● 39184	39184-7004	1	Bracket ASM
● 92151	92151-7013	1	Bolt
● 130	130B0816	2	Bolt-Flanged (8X16)




# Attachments and Accessories

## For 74374 - TimeCutter Z5040 Riding Mower

Product Name	Model/Part
Hour Meter Kit .....	112-9763
Deck Ring Kit .....	114-1608
Highlift Blade Kit .....	114-1626
50 Inch Recycler Kit .....	79312
Engine Cover Kit .....	79314
Floor Mat Kit .....	79315
42 Inch and 50 Inch Twin Bagger .....	79324

# NOTES

# NOTES

# NOTES

