



21in Commercial Lawn Mower

Model No. 22271 - 270000001 and up.

Parts Catalog

Ordering Replacement Parts

To order replacement parts, please supply the part number, the quantity, and the description of each part desired.

Understanding Reference Numbers

Each Identified part in an illustration has a reference number. The reference number for a part also appears in the parts list, along with other information about the part.

This catalog uses two special reference number formats, one to indicate parts in a service assembly and another to indicate the quantity of a given part in an illustration.

Service Assembly Reference Numbers

Parts in service assemblies have reference numbers in the form a:b. The a represents the reference number of the entire service assembly and the b represents a sequential number unique to each part within the service assembly.

For example, a wheel assembly might be identified by reference number 6, the tire by 6:1, the valve by 6:2, and the wheel by 6:3. When you order the assembly identified by reference number 6, you receive all parts identified by reference numbers 6:1, 6:2, and 6:3. However, you may also order any part individually. Reference numbers of this type appear in illustrations and in part lists.

Reference Numbers Indicating Quantity

In an illustration, if a reference number indicates more than one part, the reference number has the form nX y. The n represents the quantity of the part, the X is the multiplication symbol, and the y represents the reference number.

For example, in an illustration, the reference number 2X 37 means that two of the parts identified by reference number 37 are indicated.

Contents

Description	Page	Description	Page
Front End and Tunnel Assembly 3	Camshaft Pulley Assembly Honda GSV190LA S3A 14
Wheel Assembly No. 114-2752 4	Recoil Starter Assembly Honda GSV190LA S3A 15
Rear Axle, Transmission and Discharge Chute Assembly 5	Fan Cover Assembly Honda GSV190LA S3A 16
Wheel Assembly No. 114-2753 6	Carburetor Assembly Honda GSV190LA S3A 17
Engine and Blade Assembly 7	Air Cleaner Assembly Honda GSV190LA S3A 18
Handle Assembly 8	Muffler Assembly Honda GSV190LA S3A 19
Rear Bag Assembly 9	Fuel Tank Assembly Honda GSV190LA S3A 20
Cylinder Barrel Assembly Honda GSV190LA S3A 10	Flywheel Assembly Honda GSV190LA S3A 21
Oil Pan Assembly Honda GSV190LA S3A 11	Control Assembly Honda GSV190LA S3A 22
Crankshaft Assembly Honda GSV190LA S3A 12	Choke Lever Assembly Honda GSV190LA S3A 23
Piston and Connecting Rod Assembly Honda GSV190LA S3A 13	Label Assembly Honda GSV190LA S3A 24

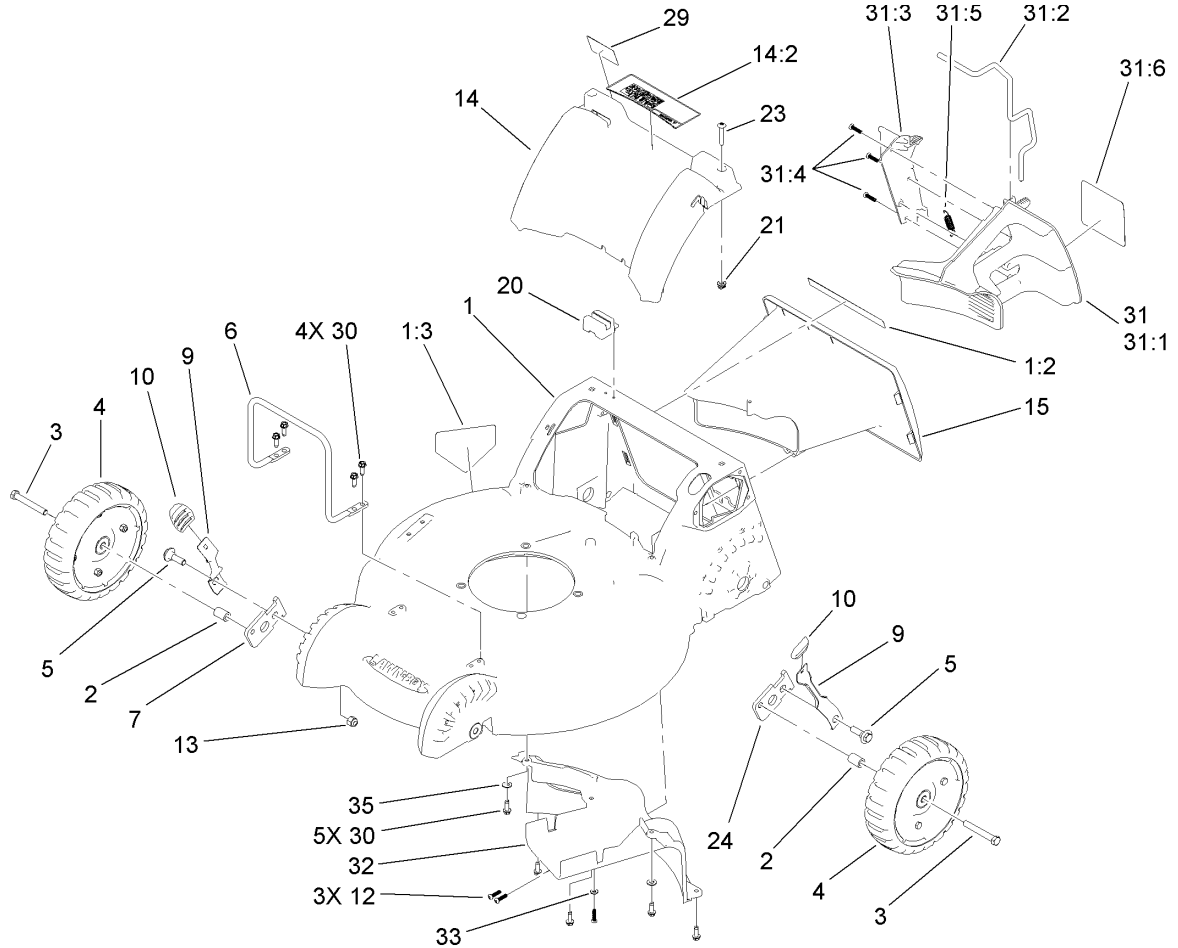
Part Description Abbreviations

Part descriptions in this catalog may include the following abbreviations.

AR. as required	HYD. hydraulic
ASM. assembly	LH. left hand
BBC. blade brake clutch	NI. nylon insert
CARR. carriage	NPTF. national pipe thread fine
DEG. degrees	PFH. phillips flat head
EXT. external	PPH. phillips pan head
FH. flat head	PPHTF. phillips pan head thread forming
GA. gauge	PRH. phillips round head
HD. heavy-duty	PTH. phillips truss head
HF. hex flange	PTO. power-take-off
HH. hex head	RH. right hand
HHF. hex head flange	ROPS. roll-over protection system
HHFTF. hex head flange thread forming	SFH. slotted fillister head
HJ. hex jam	SHH. slotted hex head
HLH. hex lag head	SHWH. slotted hex washer head
HOC. height-of-cut	SPH. slotted pan head
HSBH. hex socket button head	SQH. square head
HSFH. hex socket flat head	SRH. slotted round head
HSH. hex socket head	STD. standard
HWH. hex washer head	TAP. self tapping
HWHTF. hex washer head thread forming	TTH. torx truss head

Footnotes

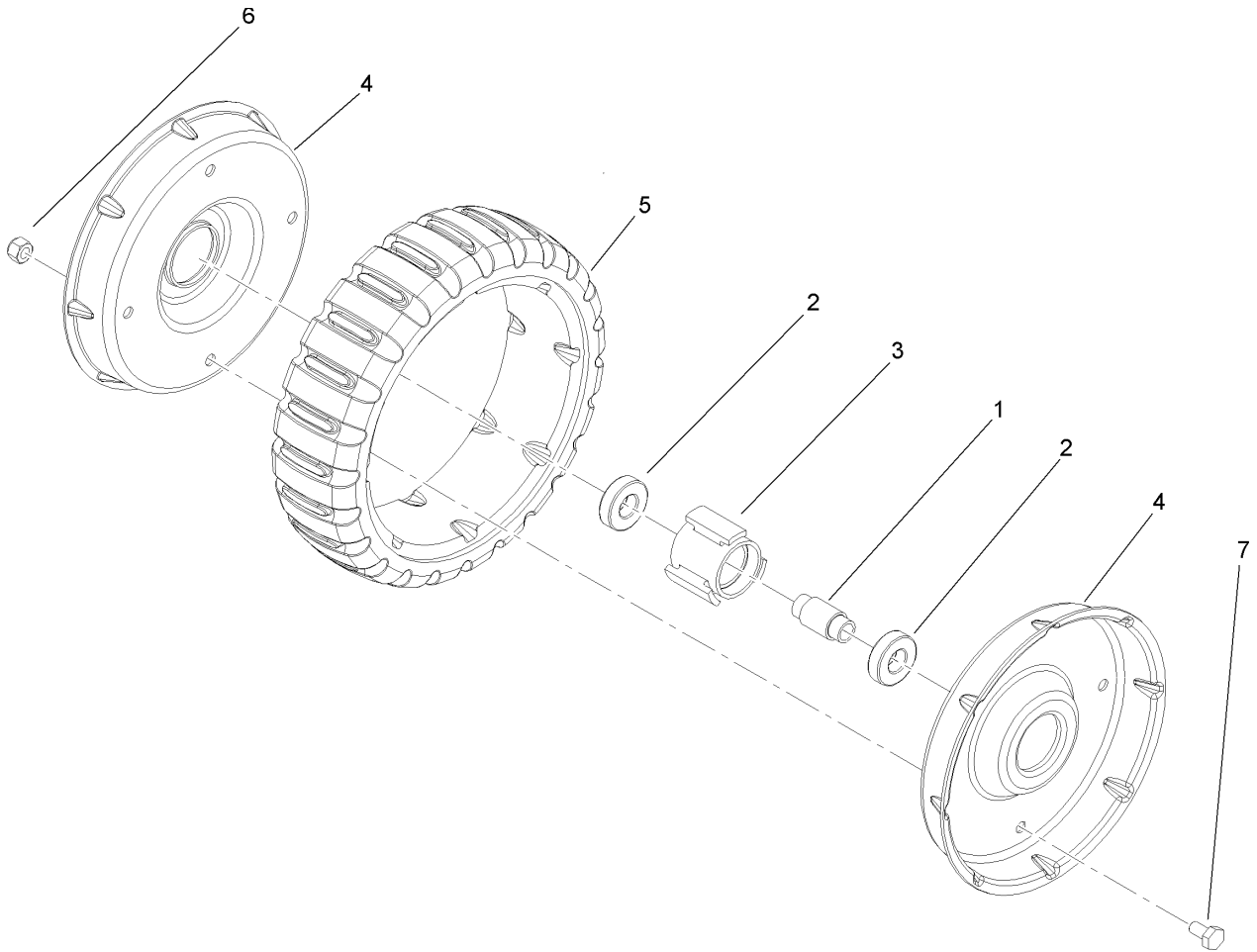
- ① Obtain from your local Honda dealer



Front End and Tunnel Assembly

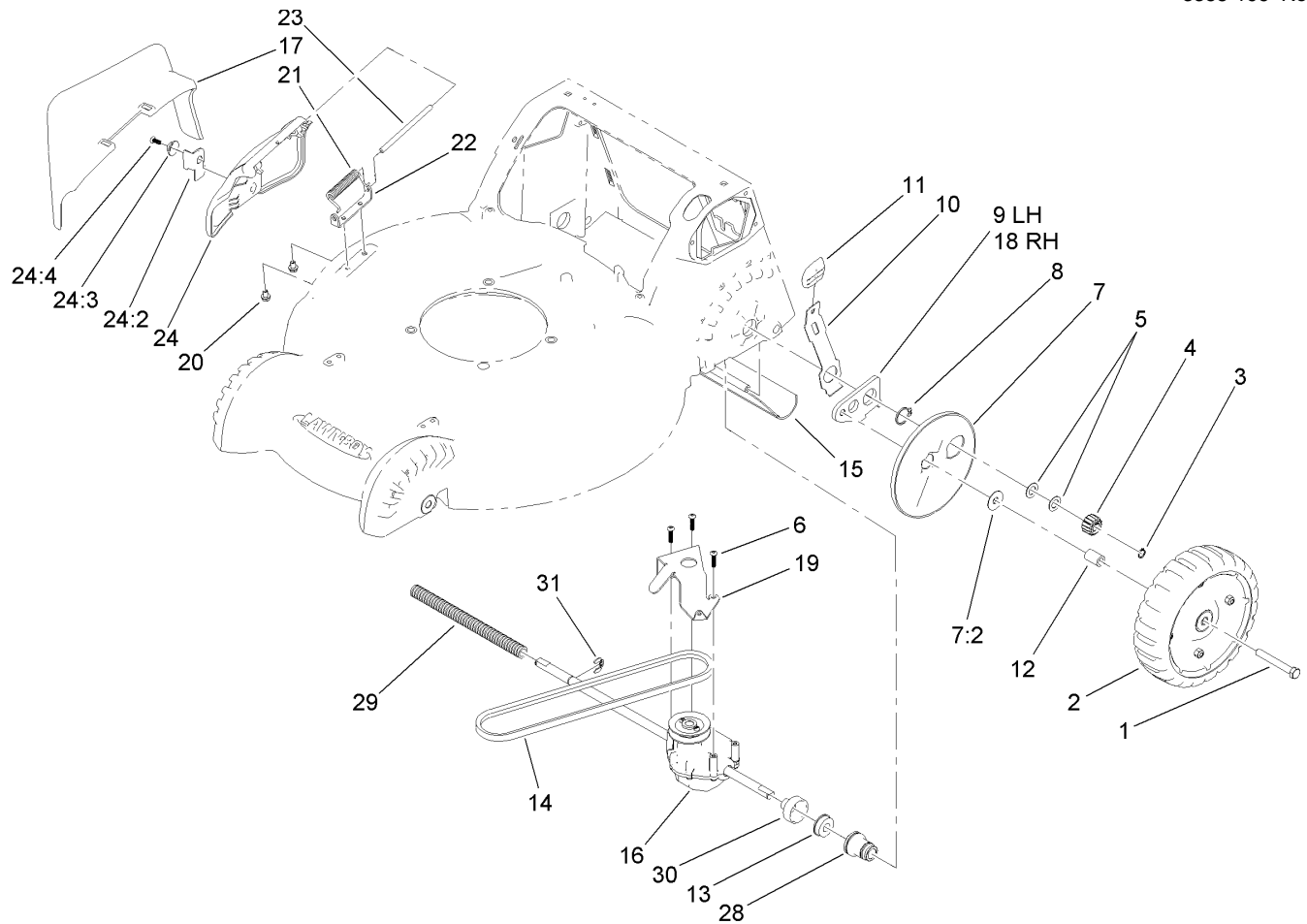
Ref	Part No.	Qty.	Description
1	112-8791	1	Housing
1:2	107-3889	1	Decal-Safety
1:3	94-8072	1	Decal-Danger
2	114-2754	2	Spacer
3	323-13	2	Screw-HH
4	114-2752	2	8 Inch Wheel ASM
5	614672	2	Bolt-Shoulder
6	110-9475-03	1	Guard-Engine
7	110-9421	1	Arm-Pivot, RH
9	110-9434	2	Arm-Spring, Front
10	105-3042	2	Knob-Lever, HOC
12	108-7476	6	Screw-Plastite
13	3296-39	2	Nut-Lock, NI
14	108-9349	1	Cover-Rear
14:2	107-3888	1	Decal-Safety
15	110-9455	1	Tunnel
20	110-1786	1	Module-Switch
21	94-1610	2	Nut-Clip
23	108-0965	2	Screw-PTH
24	110-9420	1	Arm-Pivot, LH
29	107-1938	1	Decal-Bag Attachment
30	49-2040	9	Screw-HWHTF
31	110-9468	1	Mulch Plug ASM
31:1	110-9446	1	Plug-Mulch, LH

Ref	Part No.	Qty.	Description
31:2	110-9448	1	Latch-Mulch Plug
31:3	110-9447	1	Plug-Mulch, RH
31:4	108-7476	3	Screw-Plastite
31:5	110-9458	1	Spring-Extension
31:6	110-9457	1	Decal-Mulch Plug
32	110-9413	1	Baffle-Rear
33	3256-14	1	Washer-Flat
35	3256-22	2	Washer-Flat



Wheel Assembly No. 114-2752

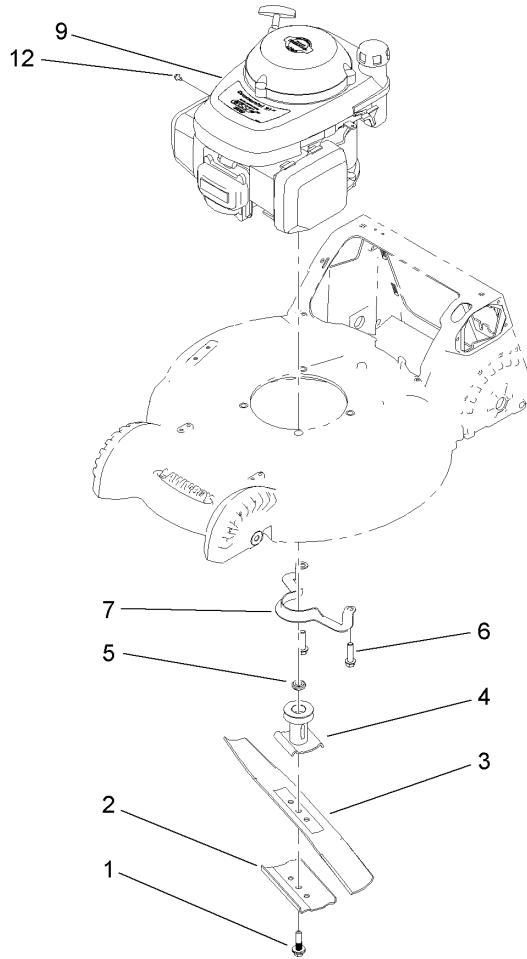
Ref	Part No.	Qty.	Description
1	52-2440	1	Spacer-Bearing
2	52-2450	2	Bearing-Wheel
3	52-2410	1	Hub-Bearing
4	114-2750	2	Wheel Half
5	110-9499	1	Tire-8 Inch
6	3296-42	4	Nut-Lock, NI
7	321-2	4	Screw-HH



Rear Axle, Transmission and Discharge Chute Assembly

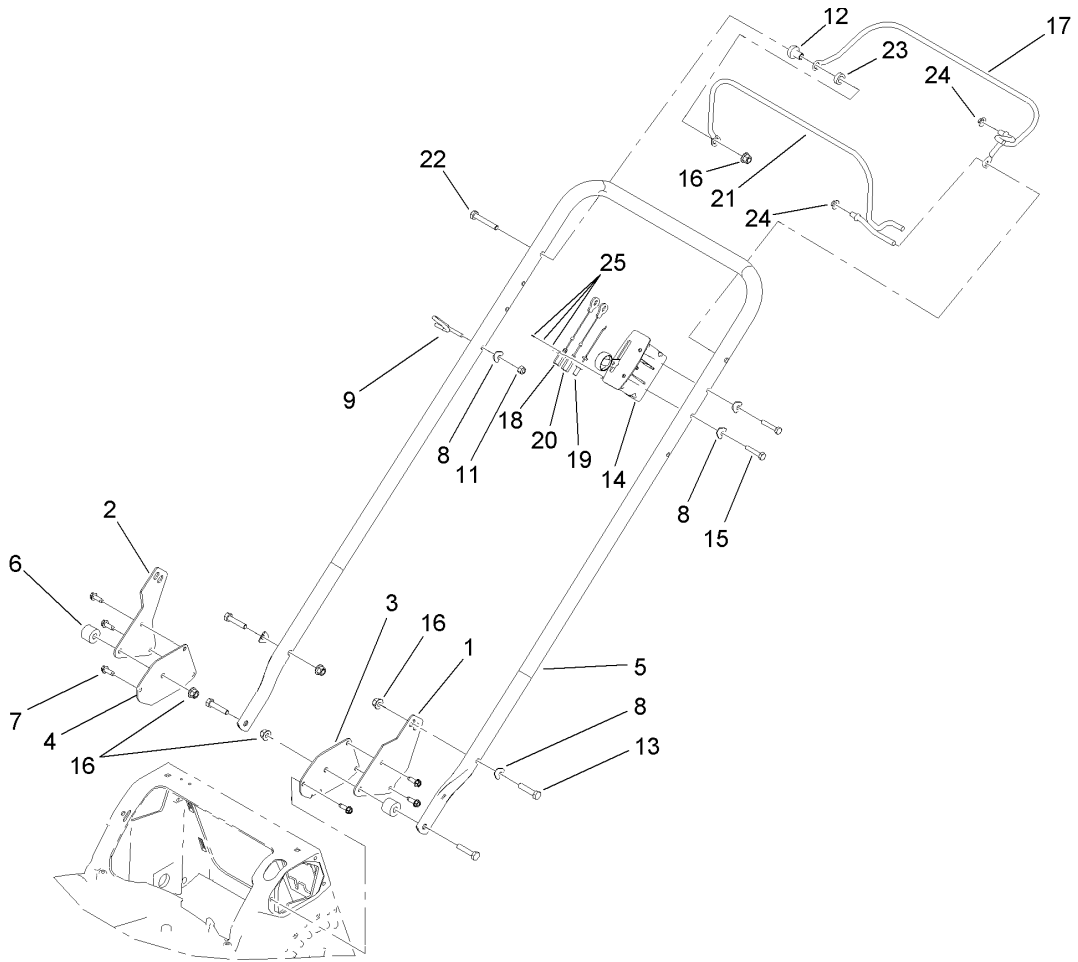
Ref	Part No.	Qty.	Description
1	323-13	2	Screw-HH
2	114-2753	2	8 Inch Wheel ASM
3	32151-61	2	Ring-Retaining
4	110-9417	2	Pinion
5	36-4780	2	Washer-Plain
6	108-7476	3	Screw-Plastite
7	110-1793	2	Wheel Cover ASM
7:2	614426	1	Washer-Stepped
8	32151-36	2	Ring-Retaining
9	108-9344	1	Arm-Rear Pivot, LH
10	110-9445	2	Arm-Spring, Rear
11	110-0549	2	Knob-HOC
12	114-2754	2	Spacer
13	104-8699	2	Bearing-Ball
14	110-9429	1	V-Belt
15	112-8768	1	Shield-Trailing
16	110-9479	1	Transmission ASM
17	105-3028	1	Chute-Discharge, Side
18	108-9343	1	Arm-Rear Pivot, RH
19	110-9418-03	1	Bracket-Transmission
20	99-8445	2	Screw-HWH
21	99-5293	1	Spring-Torsion
22	112-6416	1	Bracket-Cover
23	99-5291	1	Rod-Cover

Ref	Part No.	Qty.	Description
24	106-8376	1	Discharge Door ASM
24:2	107-0795	1	Latch-Door
24:3	107-7456	1	Cap-Door
24:4	107-7461	1	Screw-Plastite
28	110-9422	2	Retainer-Bearing
29	24-7922	1	Cover-Shaft, Drive
30	114-2755	2	Cap-Bearing
31	65-2720	1	Ring-Clip, Locking



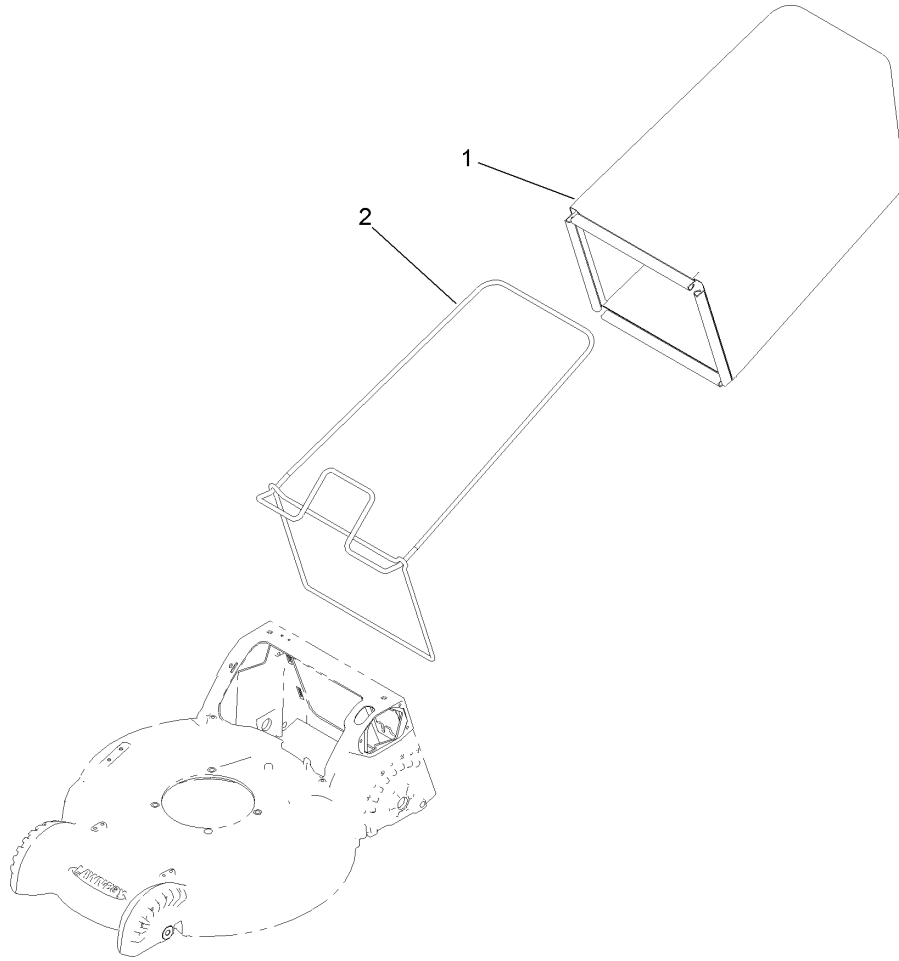
Engine and Blade Assembly

Ref	Part No.	Qty.	Description
1	112-8789	1	Bolt-Shoulder
2	108-3766-03	1	Support-Blade
3	108-3759-03	1	Blade-Bagging
4	114-2774	1	Driver-Blade
5	106-3999	1	Spacer-Driver
6	32144-102	3	Screw-HWH
7	108-8110-03	1	Guide-Belt
9		1	Engine-Honda, Gsv190La S3A
12	98-1394	1	Screw-HWH



Handle Assembly

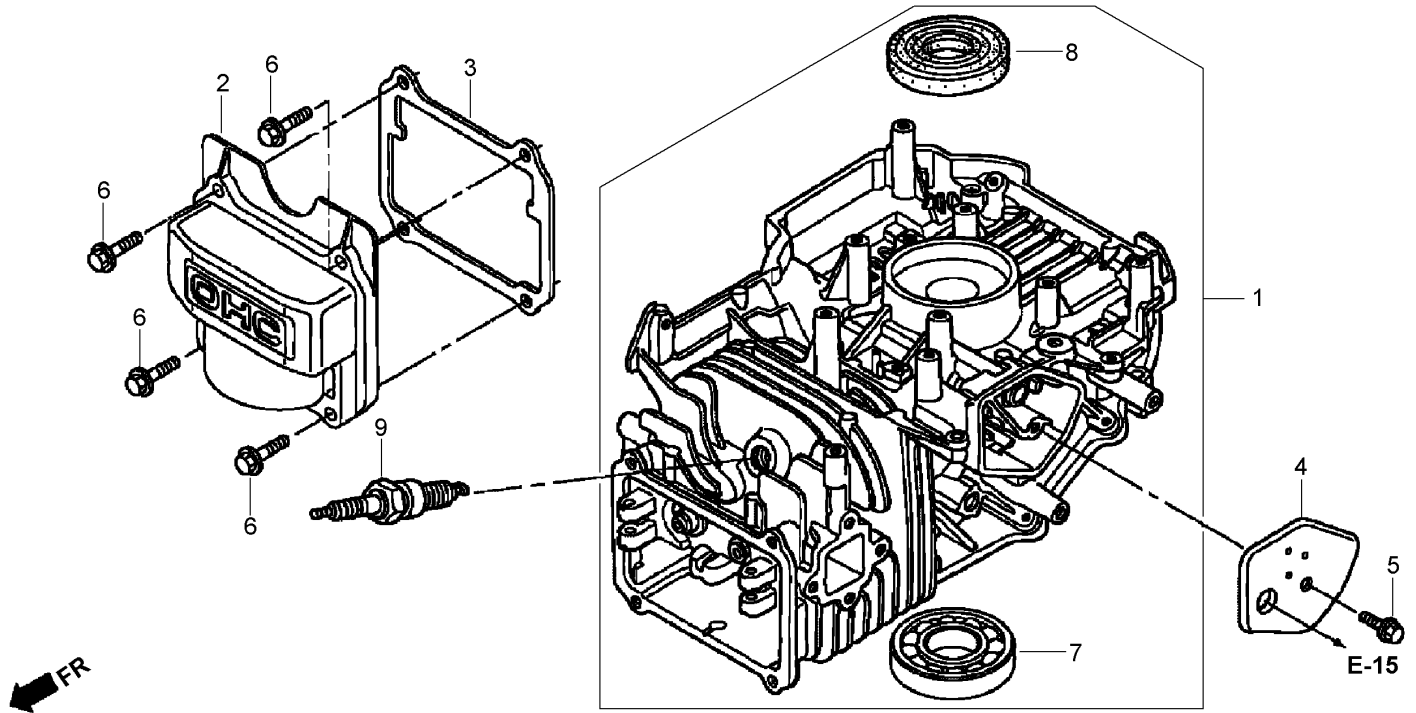
Ref	Part No.	Qty.	Description
1	110-9494-03	1	Support-Strut, LH
2	110-9495-03	1	Support-Strut, RH
3	114-2760-03	1	Plate-Handle, Traction
4	110-9471-03	1	Plate-Handle
5	107-4162-03	1	Handle
6	112-8797-03	2	Spacer-Steamed
7	49-2040	6	Screw-HWHTF
8	3-7501	5	Washer
9	114-2775	1	Guide-Rope
11	3296-42	1	Nut-Lock, NI
12	49-1630	1	Spacer-Support
13	322-7	4	Screw-HH
14	108-2645	1	Control-Head, Throttle
15	321-13	2	Screw-HH
16	3296-58	5	Nut-Lock, NI
17	114-2768-03	1	Bail-Brake
18	114-2771	1	Cable-Brake
19	110-4923	1	Throttle Cable ASM
20	114-2770	1	Cable-Traction
21	114-2769-03	1	Bail-Traction
22	322-10	1	Screw-HH
23	256-276	1	Spacer-Nylon
24	109-0917	2	Nut-Push
25	32151-86	3	E-Ring



Rear Bag Assembly

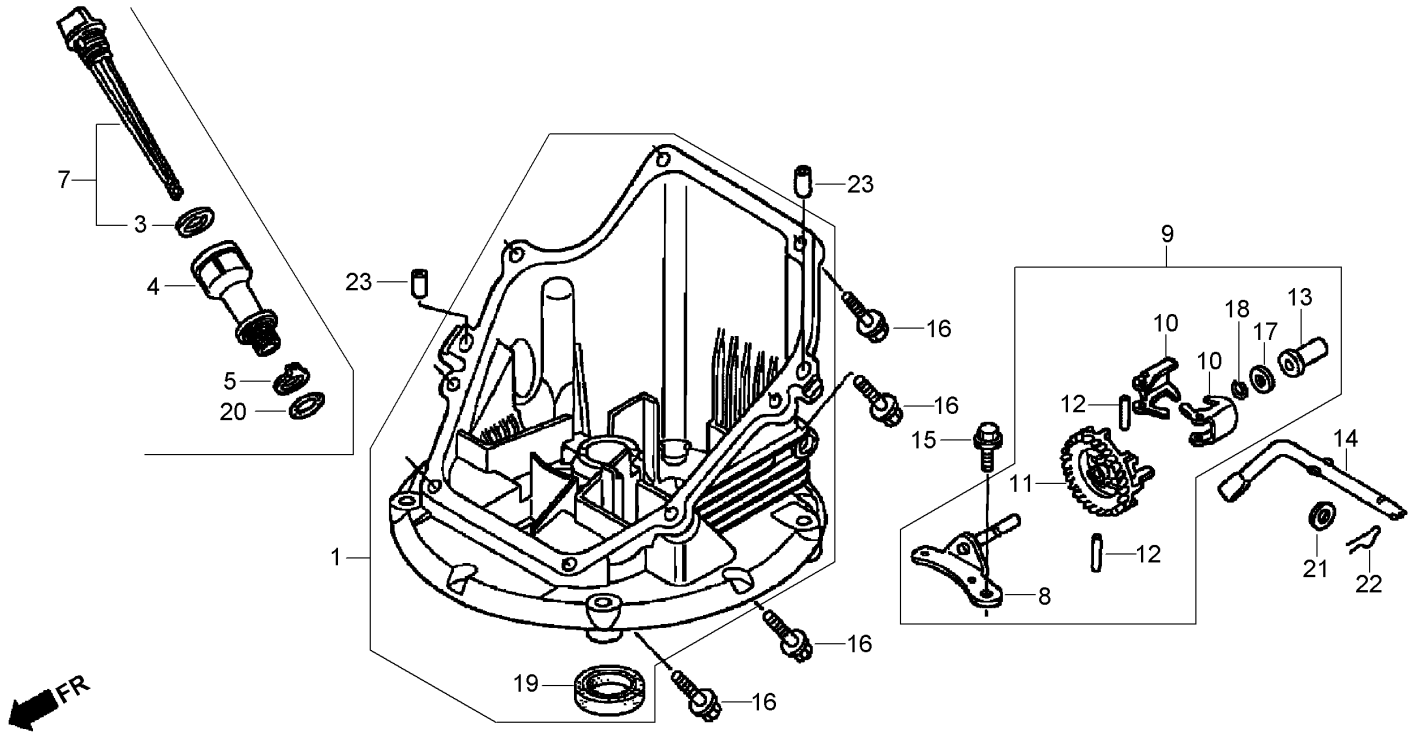
Ref	Part No.	Qty.	Description
1	110-9483	1	Grass Bag ASM
2	112-8750-03	1	Frame-Bag

--	--	--	--



Cylinder Barrel Assembly Honda GSV190LA S3A

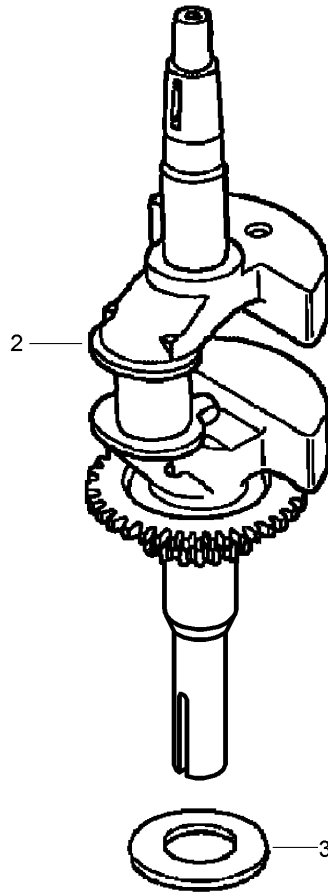
Ref	Part No.	Qty.	Description				
❶	12000-Z2C-000	1	Cylinder ASM				
❷	12311-Z2A-000	1	Cover-Head, Cylinder				
❸	12312-Z2A-000	1	Gasket-Cover, Head				
❹	12355-ZL8-000	1	Cover-Breather (Breather Valve ASM)				
❺	90014-952-000	1	Bolt-Flange (6X14) (C T200)				
❻	90121-952-000	4	Bolt-Flange (6X25) (C T 200)				
❼	91001-894-004	1	Bearing-Ball, Radial				
❽	91201-Z2A-003	1	Seal-Oil (25.4X74X6)				
❾	98079-56846	1	Spark Plug (B P R 6E S) (N G K)				



Oil Pan Assembly Honda GSV190LA S3A

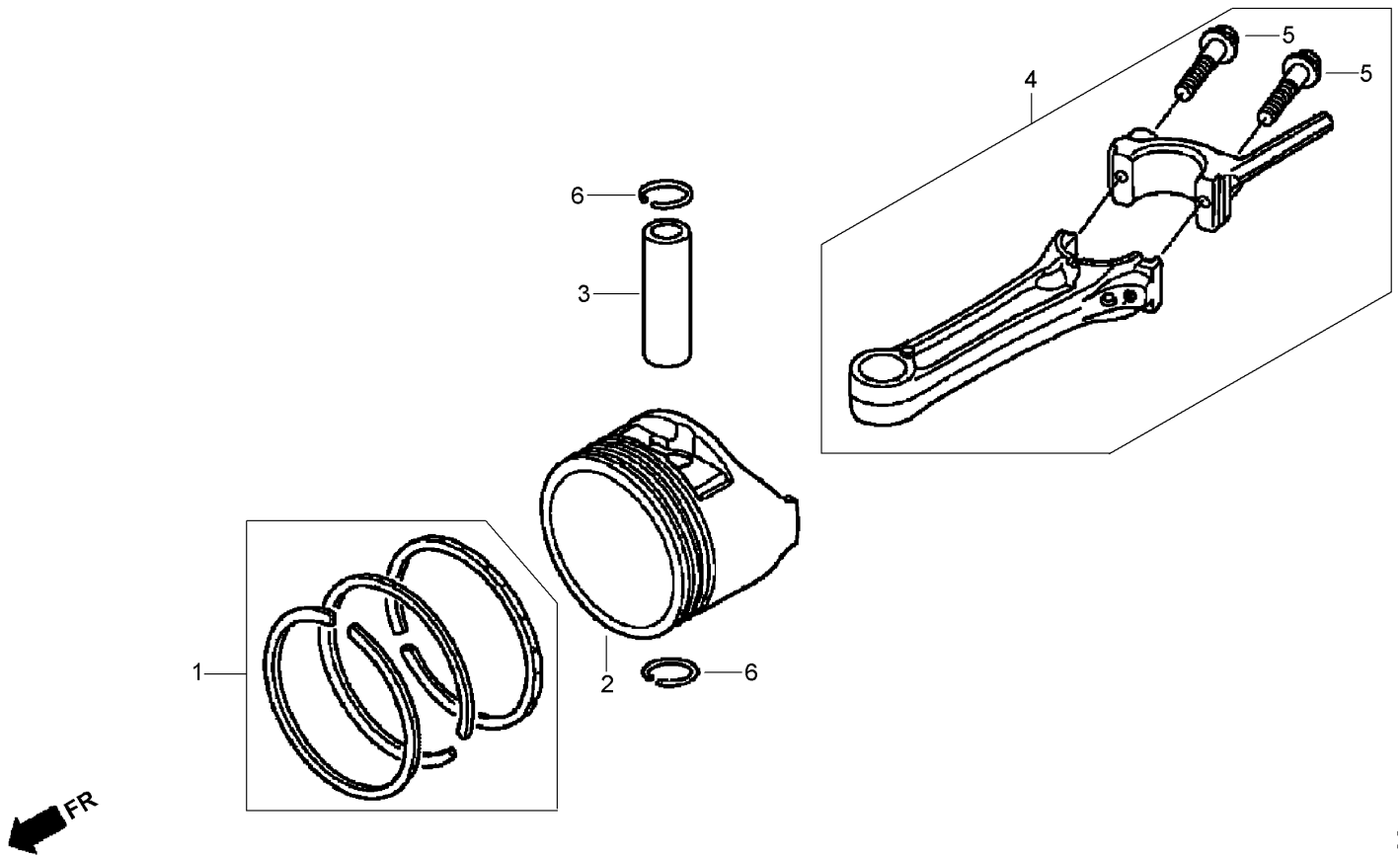
Ref	Part No.	Qty.	Description
●1	11300-ZOY-406	1	Oil Pan ASM
●1	11300-Z2D-V10	1	Oil Pan ASM
●3	15625-ZE6-000	1	Gasket-Cap, Oil Filler
●4	15631-ZM0-000	1	Extension-Filler, Oil
●5	15639-ZM0-000	1	Washer-Lock, Extension
●7	15650-ZM0-801	1	Oil Level Gauge ASM
●8	16508-ZM0-010	1	Shaft-Holder, Governor
●9	16510-ZM0-010	1	Governor ASM
●10	16511-ZL8-000	2	Weight-Governor
●11	16512-ZM0-000	1	Holder-Weight, Governor
●12	16513-ZE1-000	2	Pin-Weight, Governor
●13	16531-ZE1-000	1	Slider-Governor
●14	16541-ZM0-000	1	Shaft-Arm, Governor

Ref	Part No.	Qty.	Description
●15	90014-952-000	1	Bolt-Flange (6X14) (C T200)
●16	90121-952-000	8	Bolt-Flange (6X25) (C T 200)
●17	90451-ZE1-000	1	Washer-Thrust (6Mm)
●18	90602-ZE1-000	1	Clip-Holder, Governor
●19	91202-ZL8-003	1	Seal-Oil (28X41.25X6)
●20	91356-MA6-005	1	O-Ring (14.8X24) (N O K)
●21	94101-06800	1	Washer-Plain (6Mm)
●22	94251-08000	1	Pin-Lock (8Mm)
●23	94301-08200	2	Pin-Dowel (8X20)



Crankshaft Assembly Honda GSV190LA S3A

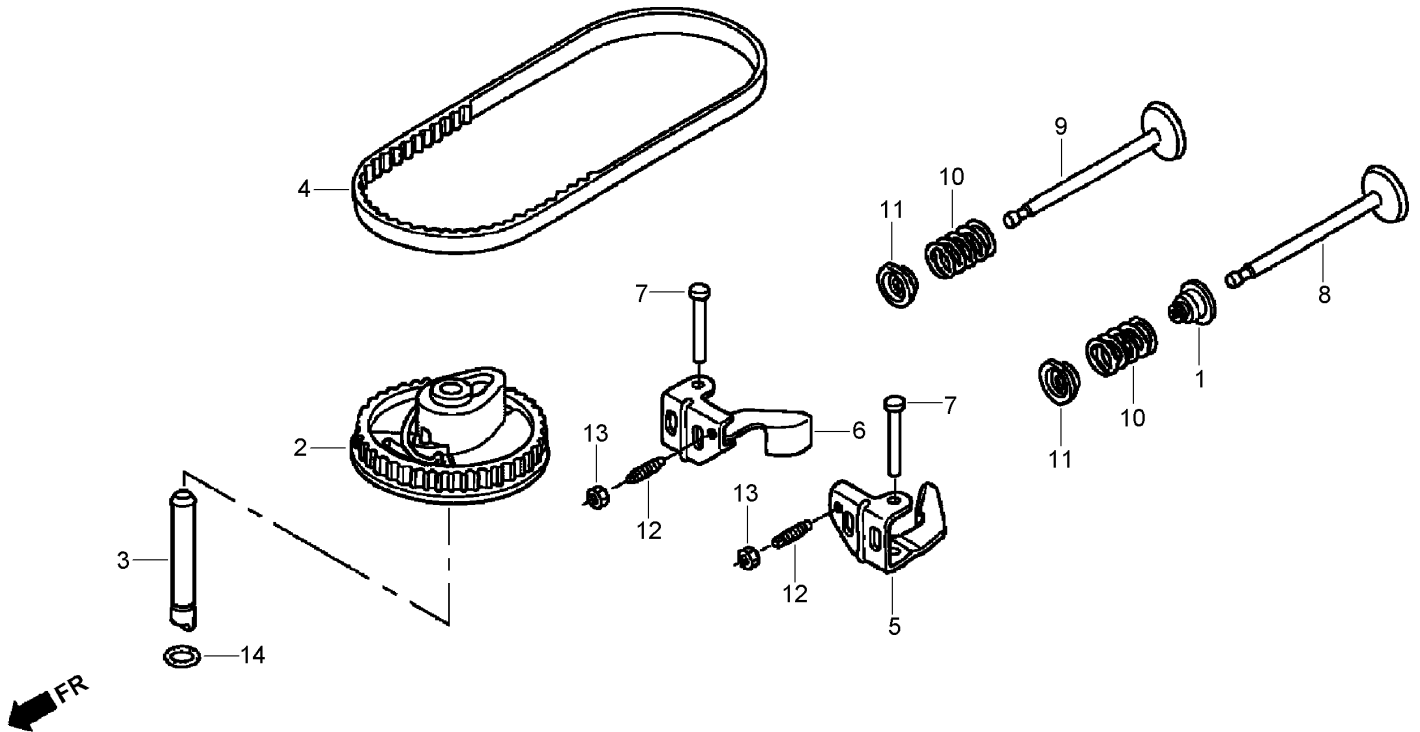
Ref	Part No.	Qty.	Description				
●2	13310-Z0Y-610	1	Crankshaft				
●3	90402-ZL8-000	1	Washer-Thrust				



Piston and Connecting Rod Assembly Honda GSV190LA S3A

Ref	Part No.	Qty.	Description
❶	13010-Z2C-014	1	Piston Ring Set (STD) (Teikoku)
❷	13101-Z0Y-010	1	Piston
❸	13111-Z0Y-000	1	Pin-Piston
❹	13200-Z0Y-000	1	Connecting Rod ASM
❺	90001-ZE1-000	2	Bolt-Rod, Connecting
❻	90551-ZE0-000	2	Clip-Pin, Piston (13Mm)

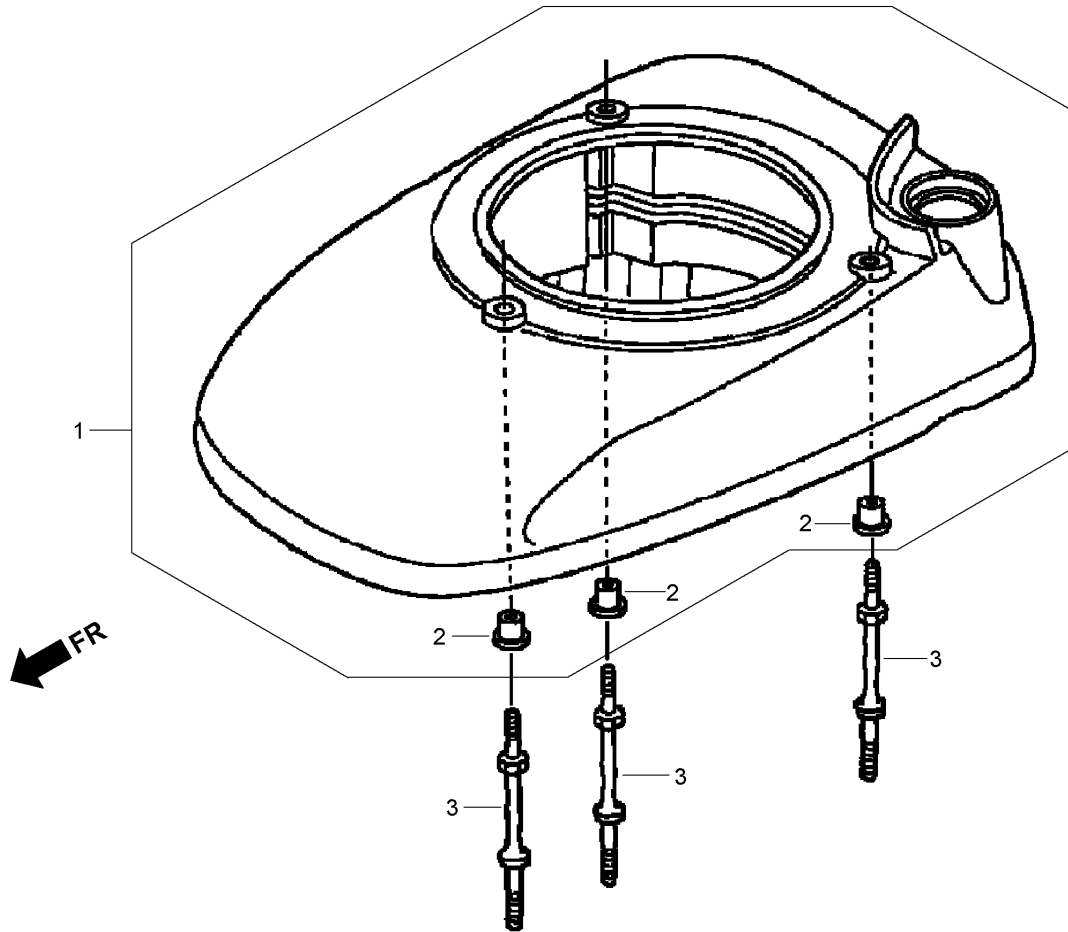
--	--	--	--



Camshaft Pulley Assembly Honda GSV190LA S3A

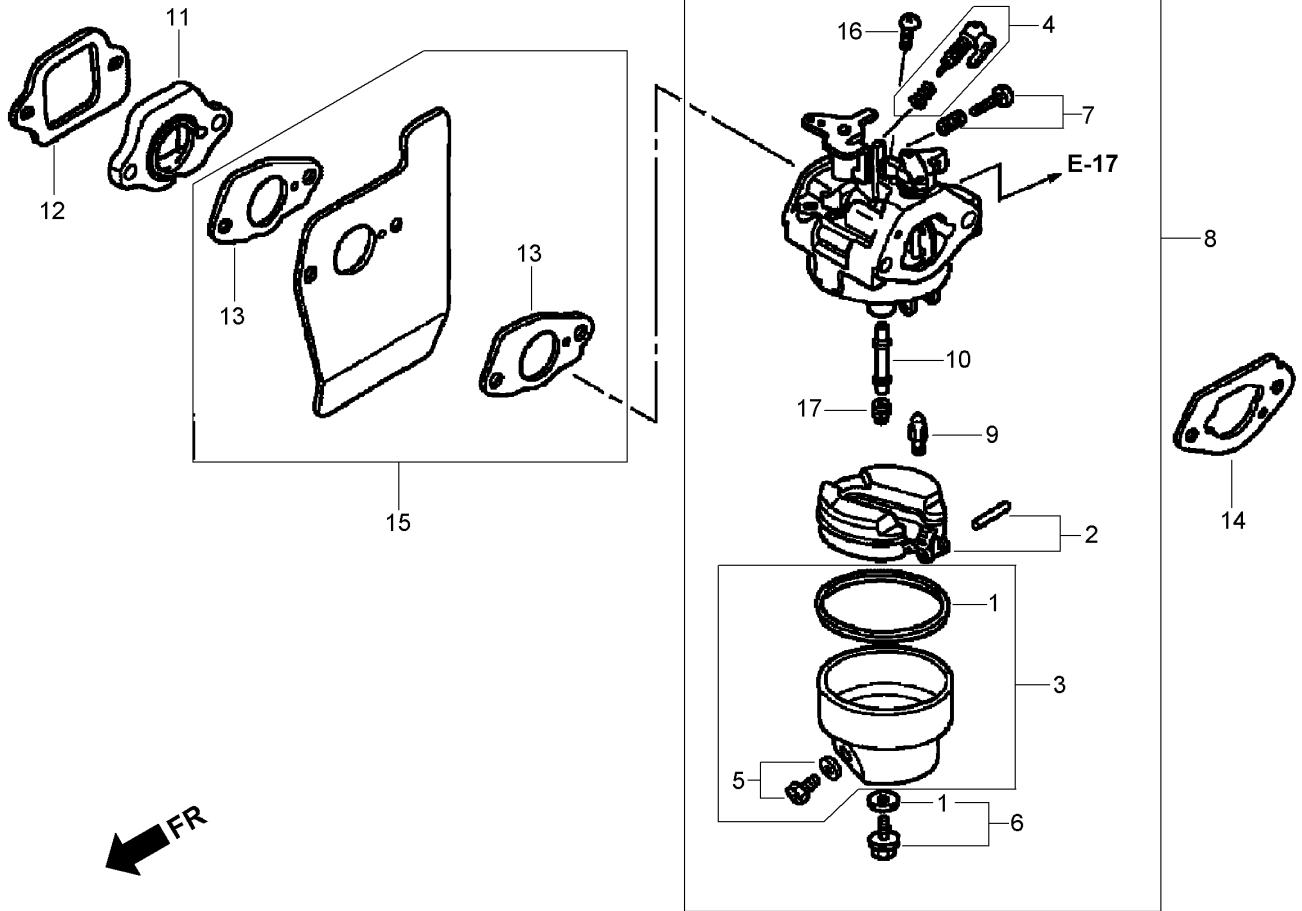
Ref	Part No.	Qty.	Description
❶	12209-ZM0-003	1	Seal-Stem, Valve
❷	14320-Z0Y-000	1	Pulley-Camshaft
❸	14324-ZL8-000	1	Shaft-Pulley, Cam
❹	14400-Z0J-014	1	Belt-Timing (84H U7 G-200)
❺	14431-Z0J-000	1	Arm-Rocker, Intake Valve
❻	14441-Z0J-000	1	Arm-Rocker, Exhaust Valve
❼	14461-ZL8-000	2	Shaft-Arm, Rocker
❽	14711-ZL8-000	1	Valve-Intake (Technostar)
❽	14711-Z0J-000	1	Valve-Intake (Rocknel)
❾	14721-ZL8-000	1	Valve-Exhaust
❿	14751-ZL8-000	2	Spring-Valve
⓫	14771-Z0J-000	2	Retainer-Spring, Valve
⓬	90012-333-000	2	Screw-Adjusting, Tappet

Ref	Part No.	Qty.	Description
⓬	90206-001-000	2	Nut-Adjusting, Tappet
⓭	91301-ZM0-V31	1	O-Ring (6.8X19) (Arai)



Fan Cover Assembly Honda GSV190LA S3A

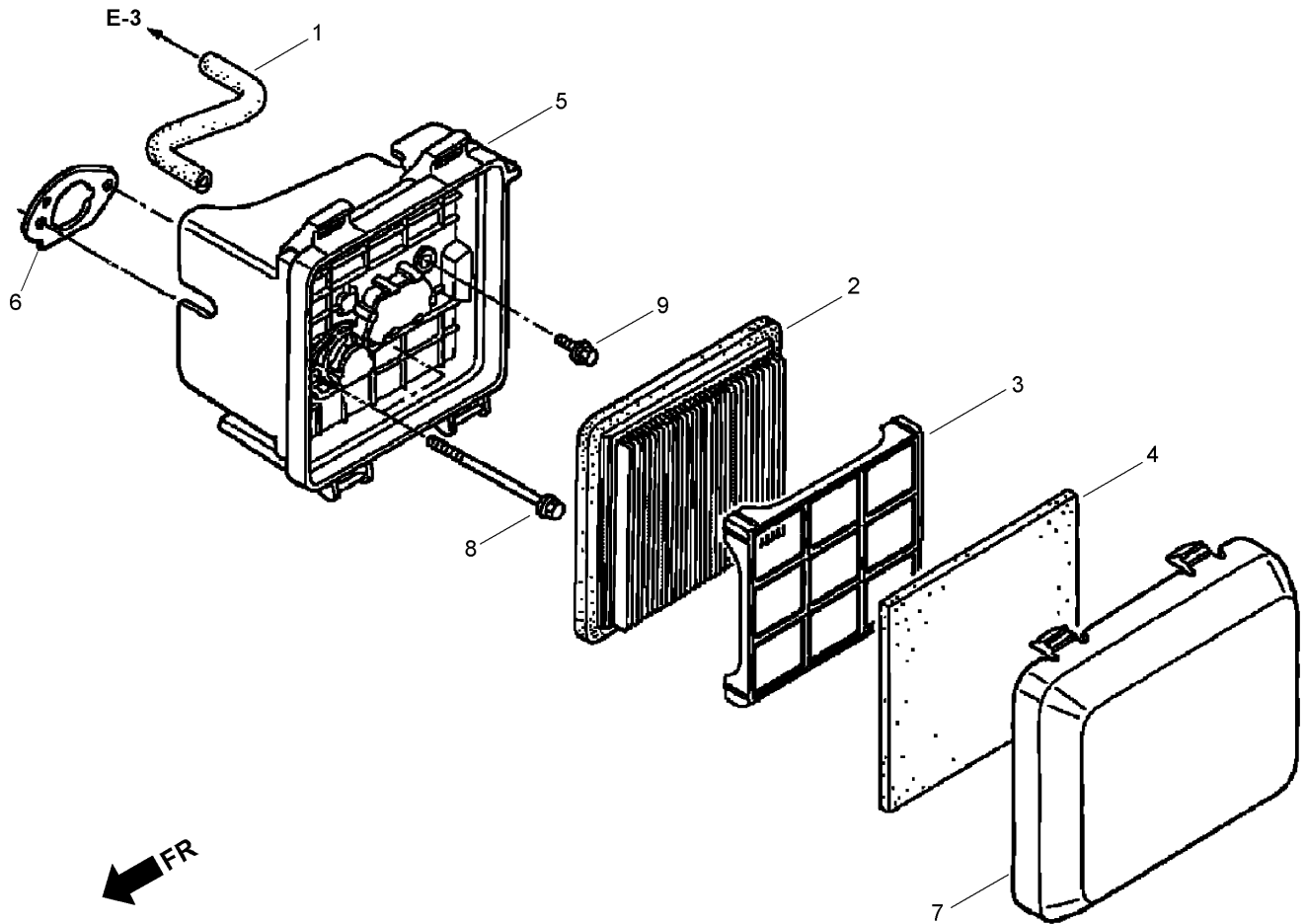
Ref	Part No.	Qty.	Description				
❶	19610-Z0L-860ZA	1	Cover-Fan, N H1 (Black)				
❶	19610-Z0L-860ZB	1	Cover-Fan, R280 (Power Red)				
❷	19619-ZL8-300	3	Collar-Cover, Fan				
❸	90043-ZL8-000	3	Bolt-Stud (H T 42.5Mm)				



Carburetor Assembly Honda GSV190LA S3A

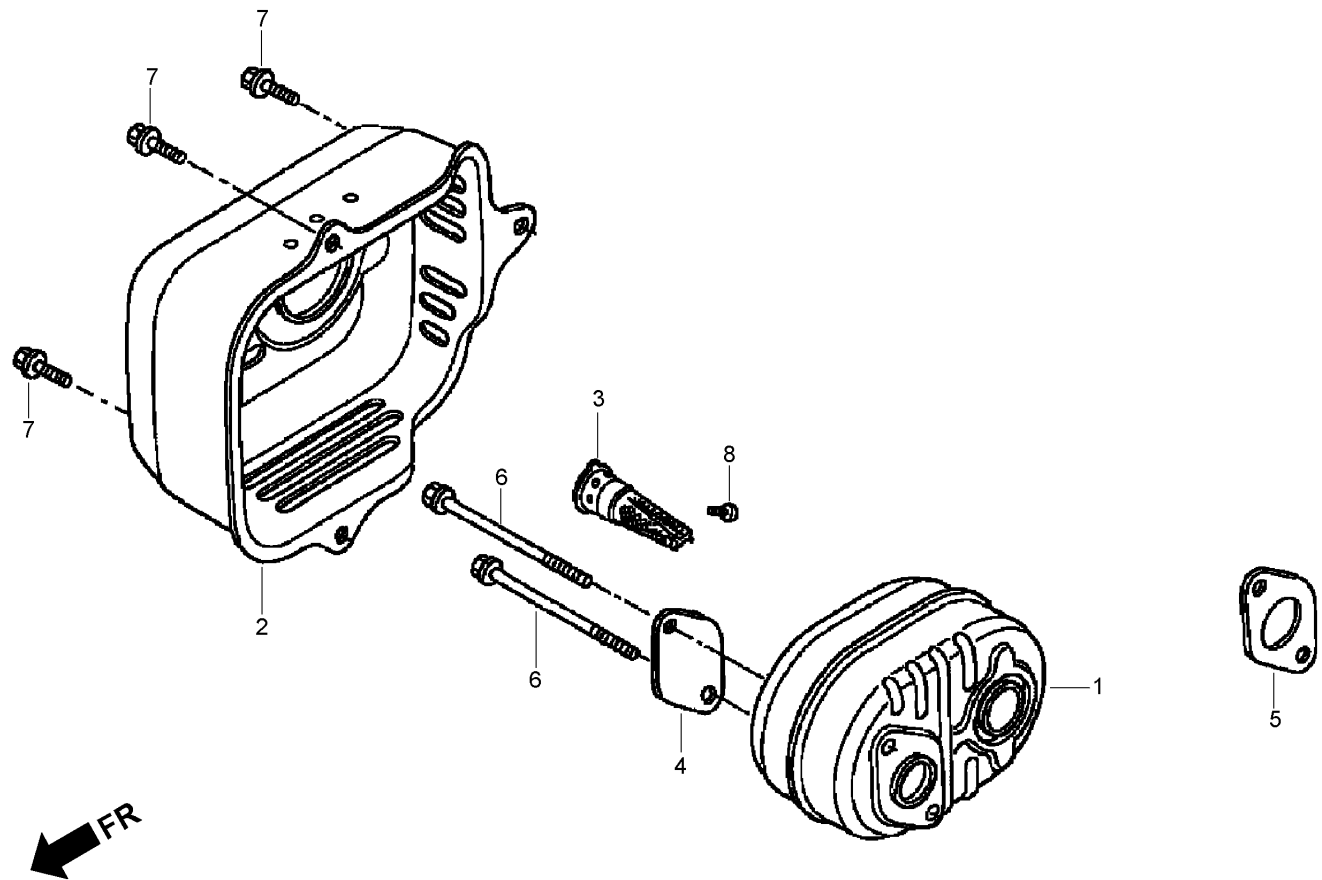
Ref	Part No.	Qty.	Description
●1	16010-883-015	1	Gasket Set
●2	16013-ZL1-003	1	Float Set
●3	16015-887-782	1	Float Chamber Set
●4	16016-ZG0-W00	1	Screw Set
●5	16024-ZE1-811	1	Drain Screw Set
●6	16028-ZE0-005	1	Screw Set
●7	16029-ZG0-901	1	Screw Set (Throttle Stop)
●8	16100-Z2D-821	1	Carburetor ASM (B B 65D A)
●9	16155-ZM0-013	1	Valve-Float
●10	16166-Z0Y-003	1	Nozzle-Main
●11	16211-ZL8-000	1	Insulator-Carburetor
●12	16212-ZL8-000	1	Gasket-Insulator
●13	16221-883-800	2	Gasket-Carburetor

Ref	Part No.	Qty.	Description
●14	16228-ZL8-000	1	Gasket-Carburetor
●15	19650-ZM0-000	1	Guide-Air
●16	93500-05006-0H	1	Screw-Pan (5X6)
●17	99101-124-0620	1	Jet-Main (No.62)
●17	99101-124-0650	1	Jet-Main (No.65)
●17	99101-124-0680	1	Jet-Main (No.68)



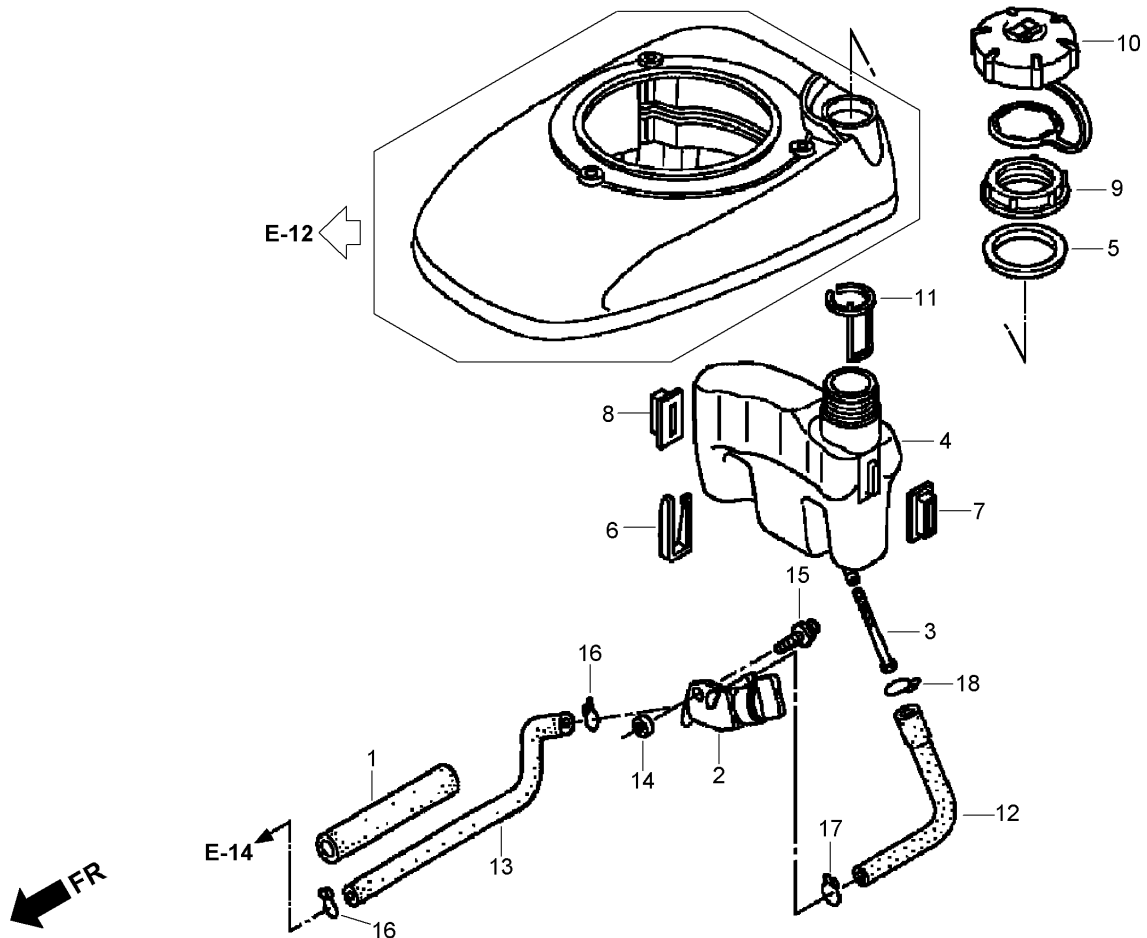
Air Cleaner Assembly Honda GSV190LA S3A

Ref	Part No.	Qty.	Description
❶	15721-ZM0-000	1	Tube-Breather
❷	17211-ZL8-023	1	Element-Cleaner, Air
❸	17212-Z2A-000	1	Grid-Cleaner, Air
❹	17218-Z2A-000	1	Filter (Outer) (Wet)
❺	17220-ZM0-000	1	Air Cleaner Case ASM
❻	17228-ZM0-000	1	Gasket-Cleaner, Air
❼	17231-Z2B-000	1	Cover-Cleaner, Air (Dual)
❽	90003-ZM0-000	2	Bolt-Flange (6X86) (C T200)
❾	95701-06014-08	1	Bolt-Flange (6X14)



Muffler Assembly Honda GSV190LA S3A

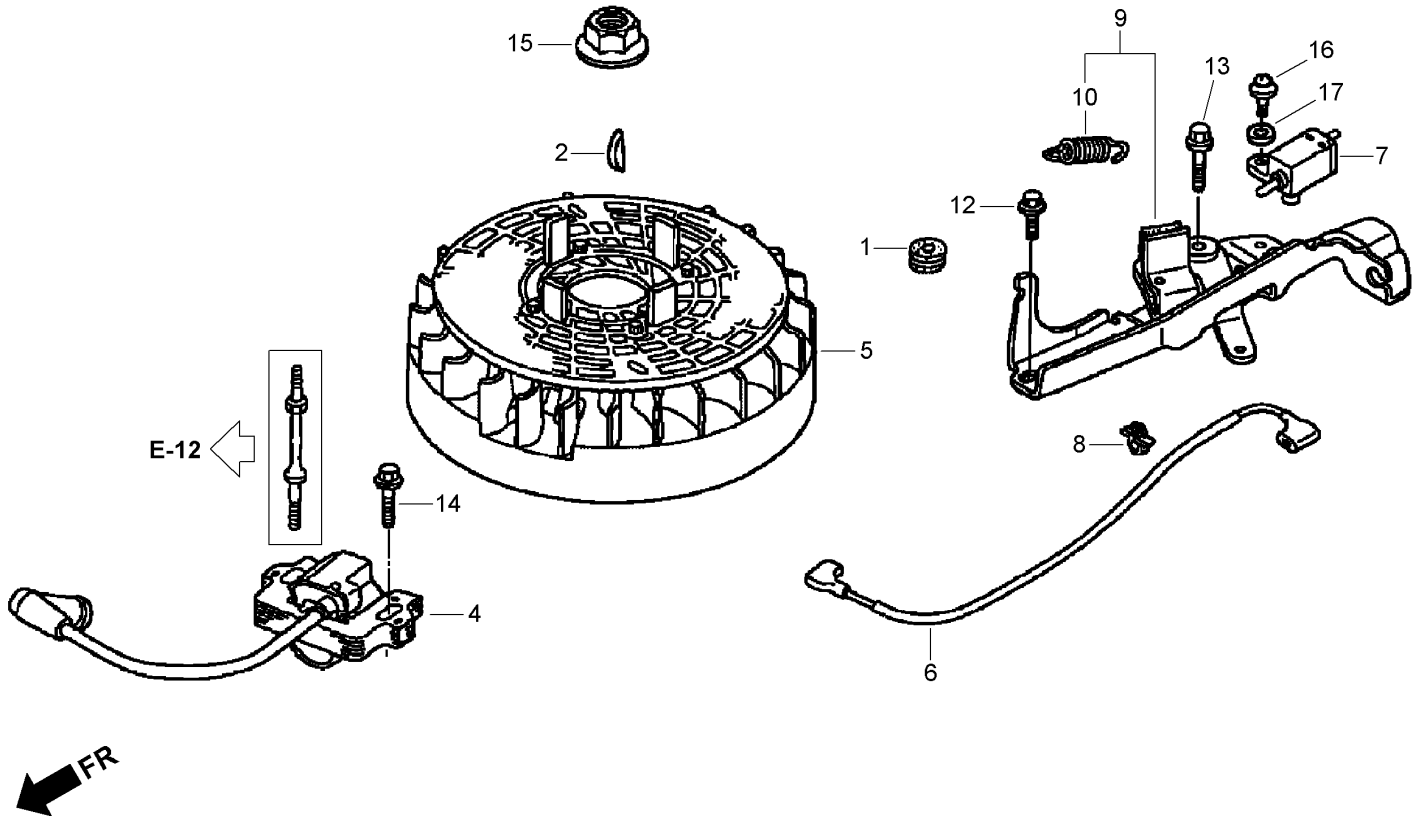
Ref	Part No.	Qty.	Description	
●1	18310-ZOY-000	1	Muffler	
●2	18321-Z0L-J00	1	Protector-Muffler	
●3	18350-ZL8-000	1	Arrester-Spark	
●4	18356-ZL8-000	1	Plate-Number, Arrester	
●5	18381-ZL8-305	1	Gasket-Muffler	
●6	90004-ZL8-000	2	Bolt-Flange (6X79) (C T200)	
●7	90013-883-000	3	Bolt-Flange (6X12) (C T200)	
●8	90055-ZE1-000	1	Screw-Tapping (4X6)	



Fuel Tank Assembly Honda GSV190LA S3A

Ref	Part No.	Qty.	Description
●1	16854-ZH8-000	1	Supporter-Rubber (107 Mm)
●2	16950-ZM0-003	1	Petcock ASM
●3	16952-ZA8-800	1	Filter-Fuel
●4	17511-Z0L-000	1	Tank-Fuel
●5	17514-Z0L-000	1	Seal-Neck, Fuel Filler
●6	17516-Z0L-000	1	Clip-Mounting, Tank
●7	17532-Z0L-000	1	Rubber A-Mounting, Tank
●8	17533-Z0L-000	1	Rubber B-Mounting, Tank
●9	17534-Z0L-000	1	Nut-Mounting, Tank
●10	17620-Z0J-800	1	Fuel Tank Cap ASM
●11	17636-Z0L-000	1	Gauge-Level, Fuel
●12	17701-Z0L-810	1	Tube-Tank, Fuel
●13	17702-ZM0-800	1	Tube-Fuel

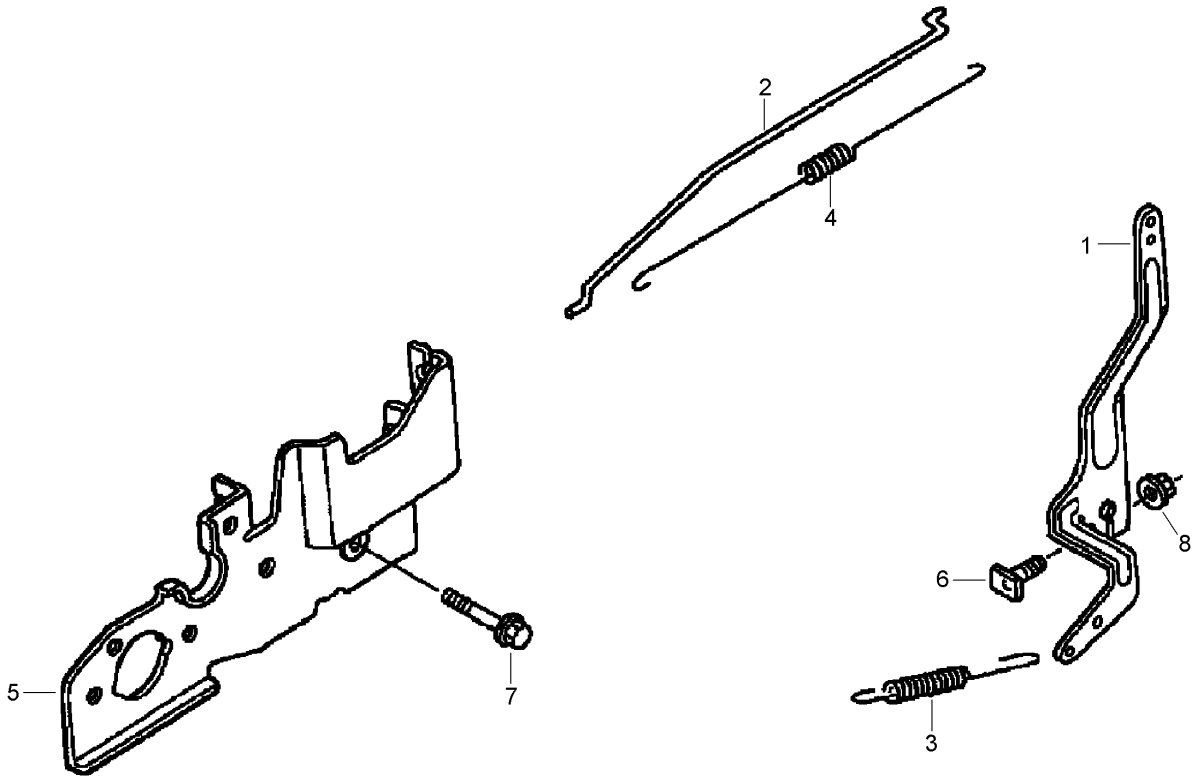
Ref	Part No.	Qty.	Description
●14	91501-Z0L-800	1	Collar-Petcock, Fuel
●15	93891-05010-08	1	Screw-Washer (5X10)
●16	95002-02080	2	Clip-Tube (B8)
●17	95002-02100	1	Clip-Tube (B10)
●18	95002-70000	1	Clip-Tube (C11)



Flywheel Assembly Honda GSV190LA S3A

Ref	Part No.	Qty.	Description
❶	11344-MB0-000	1	Grommet A-Cover, R R (8X16X6.6)
❷	13331-357-000	1	Key-Woodruff, Special (25X18)
❹	30500-Z0J-003	1	Ignition Coil ASM (Phelon) (Use For Flywheel Of Phelon)
❺	31105-Z0Y-010	1	Flywheel ASM (Phelon) (Use For Ignition Coil Of Phelon)
❻	32195-ZM0-800	1	Wire-Switch, Stop
❼	35120-ZM0-003	1	Engine Stop Switch ASM (N C)
❽	51125-Z0L-003	1	Holder-Wire (Fastex)
❽	90681-959-003	1	Clip A-Cable (Nifco)
❾	75110-Z0L-800	1	Brake ASM
❿	75113-ZM0-000	1	Spring-Lever, Brake
❶❷	90014-952-000	1	Bolt-Flange (6X14) (C T200)
❶❸	90018-ZE1-000	1	Bolt-Flange (6X23) (C T200)
❶❹	90022-888-010	1	Bolt-Flange (6X20) (C T200)

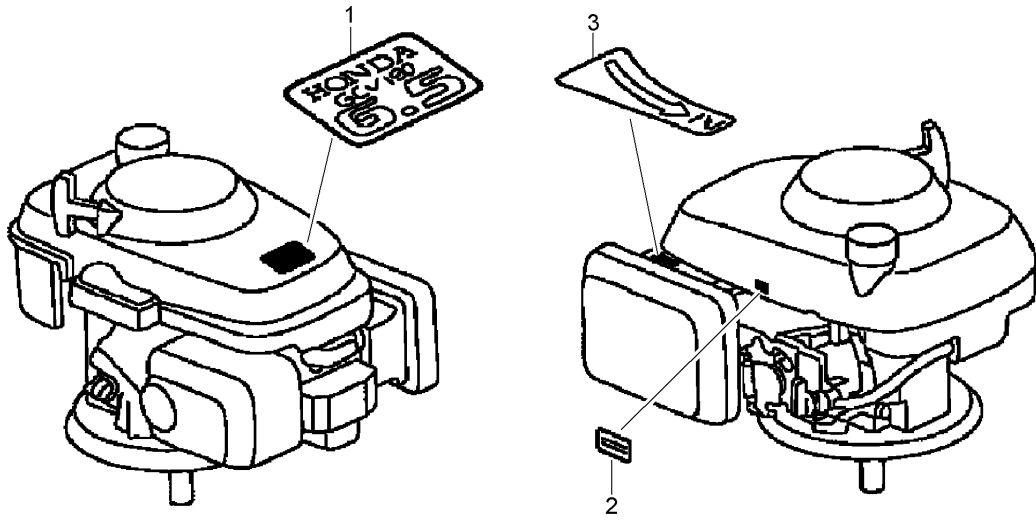
Ref	Part No.	Qty.	Description
❶❺	90213-S3Y-000	1	Nut-Flange (14Mm)
❶❻	93892-04012-00	1	Screw-Washer (4X12)
❶❼	94103-04000	1	Washer-Plain (4Mm)



Control Assembly Honda GSV190LA S3A

Ref	Part No.	Qty.	Description
❶	16551-ZM0-010	1	Arm-Governor
❷	16555-Z0L-800	1	Rod-Governor
❸	16561-Z0L-000	1	Spring-Governor
❹	16562-ZM0-000	1	Spring-Return, Throttle
❺	16580-Z0L-810	1	Base-Control
❻	90015-ZE5-010	1	Bolt-Arm, Governor
❼	90016-ZE8-000	1	Bolt-Flange (6X45) (C T200)
❽	94050-06000	1	Nut-Flange (6 Mm)

--	--	--	--



Label Assembly Honda GSV190LA S3A

Ref	Part No.	Qty.	Description
❶	87101-Z2D-000	1	Mark-Emblem (G S V190 6.5)
❷	87114-ZH7-821	1	Label-Warning (Not Certified For Sale)
❸	87528-Z0L-V20	1	Mark-Indication, Choke

NOTES

NOTES

NOTES

