



## CCR™ Powerlite® Snowthrower

Model No. 38172 - 280000001 and up.

### Parts Catalog

---

#### Ordering Replacement Parts

To order replacement parts, please supply the part number, the quantity, and the description of each part desired.

#### Understanding Reference Numbers

Each identified part in an illustration has a reference number. The reference number for a part also appears in the parts list, along with other information about the part.

This catalog uses two special reference number formats, one to indicate parts in a service assembly and another to indicate the quantity of a given part in an illustration.

#### Service Assembly Reference Numbers

Parts in service assemblies have reference numbers in the form a:b. The a represents the reference number of the entire service assembly and the b represents a sequential number unique to each part within the service assembly.

For example, a wheel assembly might be identified by reference number 6, the tire by 6:1, the valve by 6:2, and the wheel by 6:3. When you order the assembly identified by reference number 6, you receive all parts identified by reference numbers 6:1, 6:2, and 6:3. However, you may also order any part individually. Reference numbers of this type appear in illustrations and in part lists.

#### Reference Numbers Indicating Quantity

In an illustration, if a reference number indicates more than one part, the reference number has the form nX y. The n represents the quantity of the part, the X is the multiplication symbol, and the y represents the reference number.

For example, in an illustration, the reference number 2X 37 means that two of the parts identified by reference number 37 are indicated.

# Contents

Description	Page	Description	Page
Rotor Drive Assembly	..... 3	Engine Assembly Tecumseh TH098SA-1723F	..... 8
Chute and Upper Shroud Assembly	..... 4	Carburetor Assembly No. 640086A Tecumseh TH098SA-1723F	..... 10
Rotor Assembly	..... 5	Rewind Starter No. 590745 Tecumseh TH098SA-1723F	..... 11
Engine, Rotor Housing and Sideplate Assembly	..... 6		
Handle and Lower Shroud Assembly	..... 7		

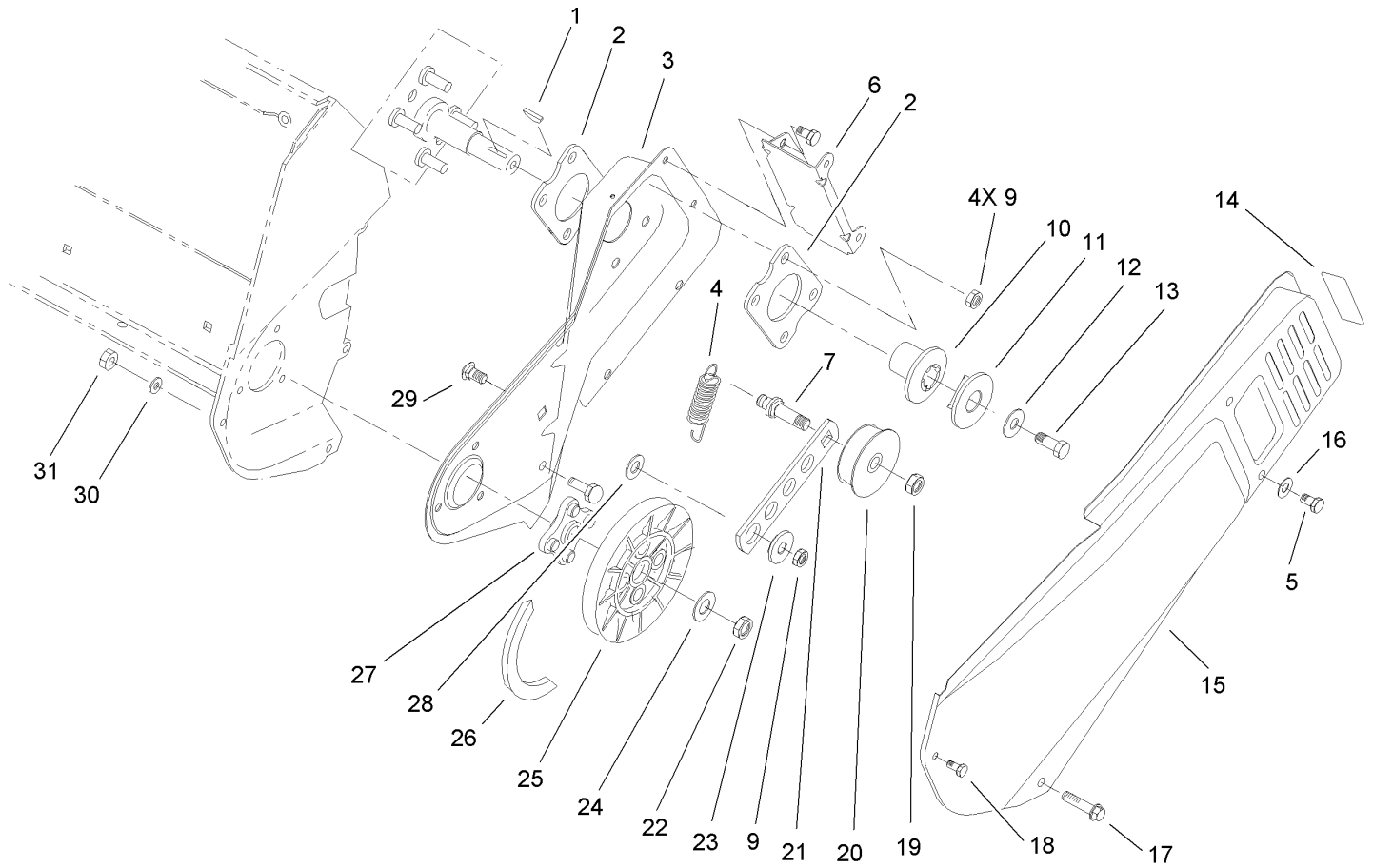
## Part Description Abbreviations

Part descriptions in this catalog may include the following abbreviations.

AR. .... as required	HYD. .... hydraulic
ASM. .... assembly	LH. .... left hand
BBC. .... blade brake clutch	NI. .... nylon insert
CARR. .... carriage	NPTF. .... national pipe thread fine
DEG. .... degrees	PFH. .... phillips flat head
EXT. .... external	PPH. .... phillips pan head
FH. .... flat head	PPHTF. .... phillips pan head thread forming
GA. .... gauge	PRH. .... phillips round head
HD. .... heavy-duty	PTH. .... phillips truss head
HF. .... hex flange	PTO. .... power-take-off
HH. .... hex head	RH. .... right hand
HHF. .... hex head flange	ROPS. .... roll-over protection system
HHFTF. .... hex head flange thread forming	SFH. .... slotted fillister head
HJ. .... hex jam	SHH. .... slotted hex head
HLH. .... hex lag head	SHWH. .... slotted hex washer head
HOC. .... height-of-cut	SPH. .... slotted pan head
HSBH. .... hex socket button head	SQH. .... square head
HSFH. .... hex socket flat head	SRH. .... slotted round head
HSH. .... hex socket head	STD. .... standard
HWH. .... hex washer head	TAP. .... self tapping
HWHTF. .... hex washer head thread forming	TTH. .... torx truss head

## Footnotes

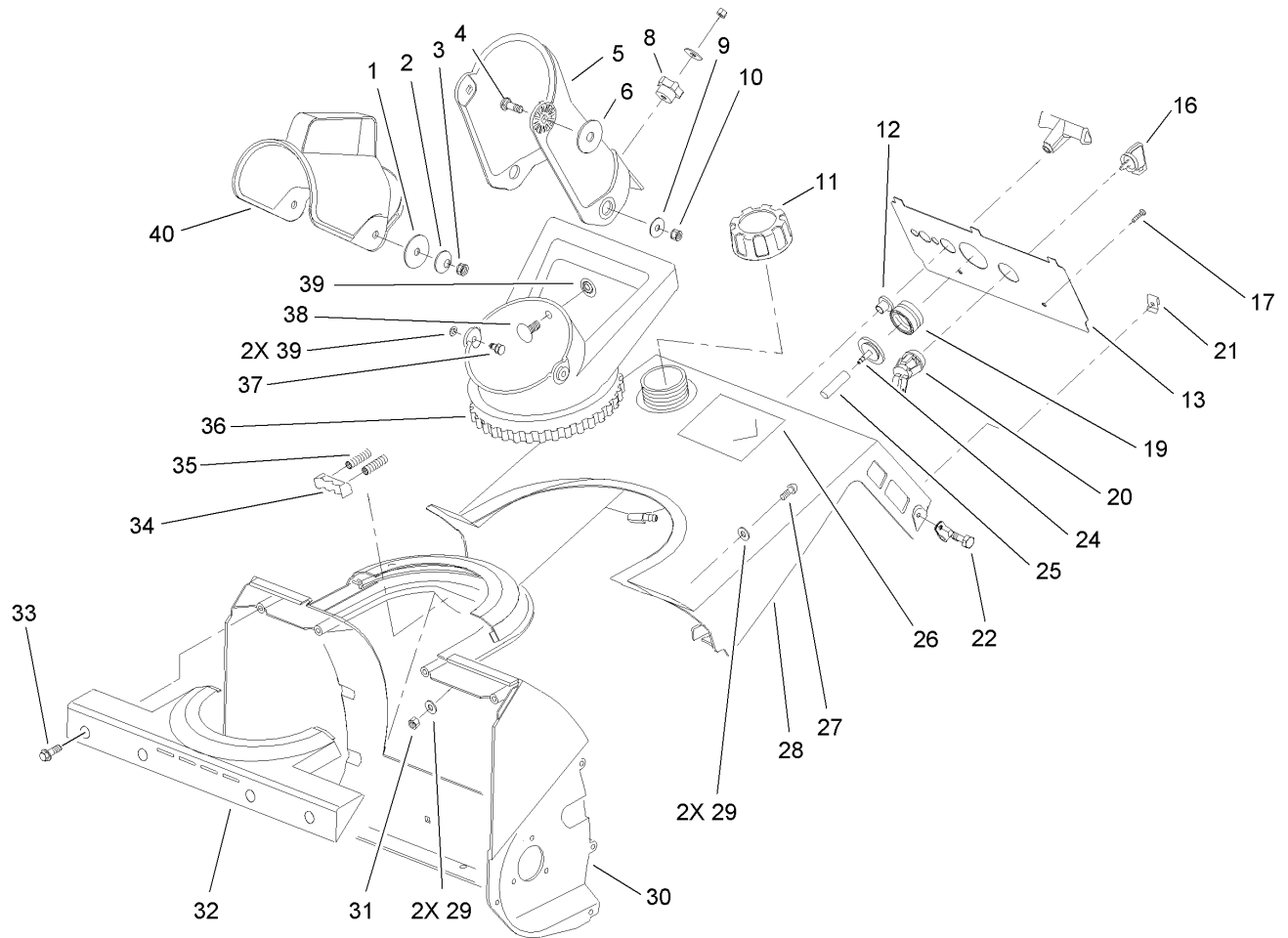
- |  |   |
|--|---|
| <p>❶ Not illustrated</p> <p>❸ Obtain from your local Tecumseh dealer</p> | <p>❷ Not serviced separately</p> <p>❹ Included in Repair Kit 632760</p> |
|--|---|



## Rotor Drive Assembly

Ref	Part No.	Qty.	Description
1	3257-3	1	Key-Woodruff
2	71-5290-03	2	Plate-Engine
3	95-7945-03	1	Sideplate-LH
4	75-9020	1	Spring-Extension
5	32144-4	4	Screw-HWH
6	75-8870-03	1	Bracket-Cover, Belt
7	75-8720	1	Pin-Idler
9	3296-29	5	Nut-Lock, NI
10	71-5050	1	Hub-Half Sheave
11	71-5060	1	Cap-Half Sheave
12	3256-71	1	Washer-Flat
13	3235-6	1	Screw-HH
14	104-2767	1	Decal-Warning
15	75-8830-03	1	Cover-Belt
16	3256-1	2	Washer-Flat
17	46-8094	3	Screw-Plastite
18	32105-23	1	Screw
19	3296-59	1	Nut-Lock, NI
20	71-5260	1	Pulley-Idler
21	75-9050	1	Arm-Idler
22	3296-38	1	Nut-Lock, NI
23	75-8700	1	Bushing-Idler
24	3256-25	1	Washer-Flat
25	75-8750	1	Pulley-Driven

Ref	Part No.	Qty.	Description
26	75-9010	1	V-Belt
27	75-8740	1	Hub
28	25-5640	1	Washer
29	3230-23	1	Screw-CARR
30	3256-14	1	Washer-Flat
31	3296-2	1	Nut-Lock

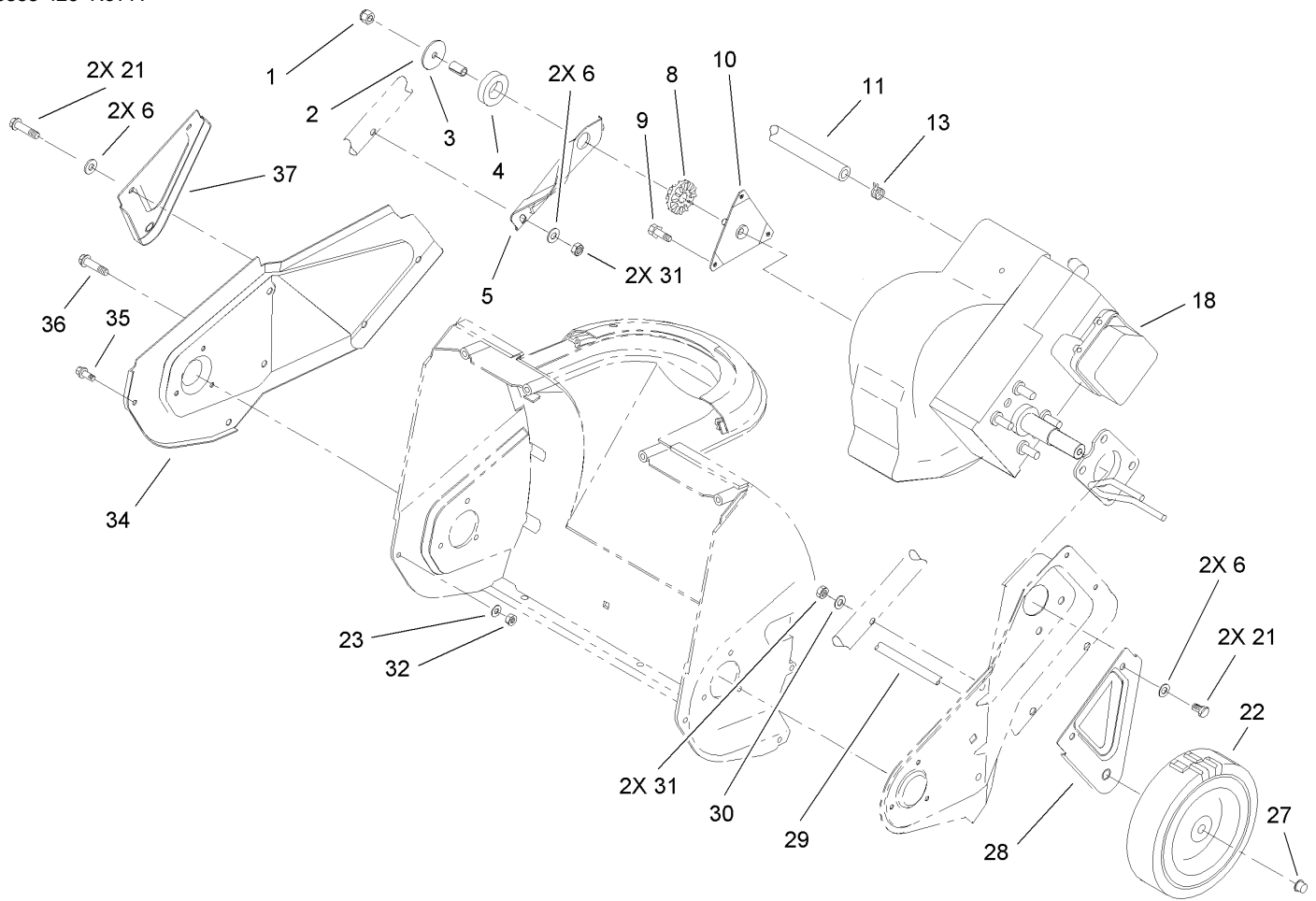


## Chute and Upper Shroud Assembly

Ref	Part No.	Qty.	Description
1	3256-68	2	Washer-Flat
2	3290-340	2	Washer-Belleville
3	3296-29	2	Nut-Lock, NI
4	3230-2	2	Bolt-CARR
5	112-6649	1	Chute-French/English
6	95-1905	2	Washer-Rubber
8	233-67	1	Knob-Chute
9	3256-81	2	Washer-Flat
10	3296-56	2	Nut-Lock, NI
11	104-4133	1	Gas Cap ASM
12	23-7470	1	Guide-Rope, Starter
13	112-8100	1	Control Panel ASM
16	63-8360	1	Key-Ignition
17	32144-53	2	Screw-SHWH
19	66-7460	1	Bulb-Primer
20	40-5940	1	Switch
21	49-1490	2	Nut
22	32144-89	2	Screw-Forming, Thread
24	44-2750	1	Body-Primer
25	44-3173	1	Hose-Primer
26	108-5081	1	Decal-Shroud
27	3250-32	2	Screw-PPH
28	105-2994	1	Shroud-Tank, Gas Upper
29	3256-1	4	Washer-Flat

Ref	Part No.	Qty.	Description
30	75-8660	1	Housing
31	3296-42	2	Nut-Lock, NI
32	75-8650	1	Retainer-Chute
33	46-8094	4	Screw-Plastite
34	75-9160	1	Detent-Chute
35	75-9170	2	Spring-Compression
36	75-8670	1	Handle-Chute
37	321-3	2	Screw-HH
38	3229-11	1	Screw-CARR
39	32115-15	3	Pushnut-Retainer, Bolt
40	75-8770	1	Deflector-Chute





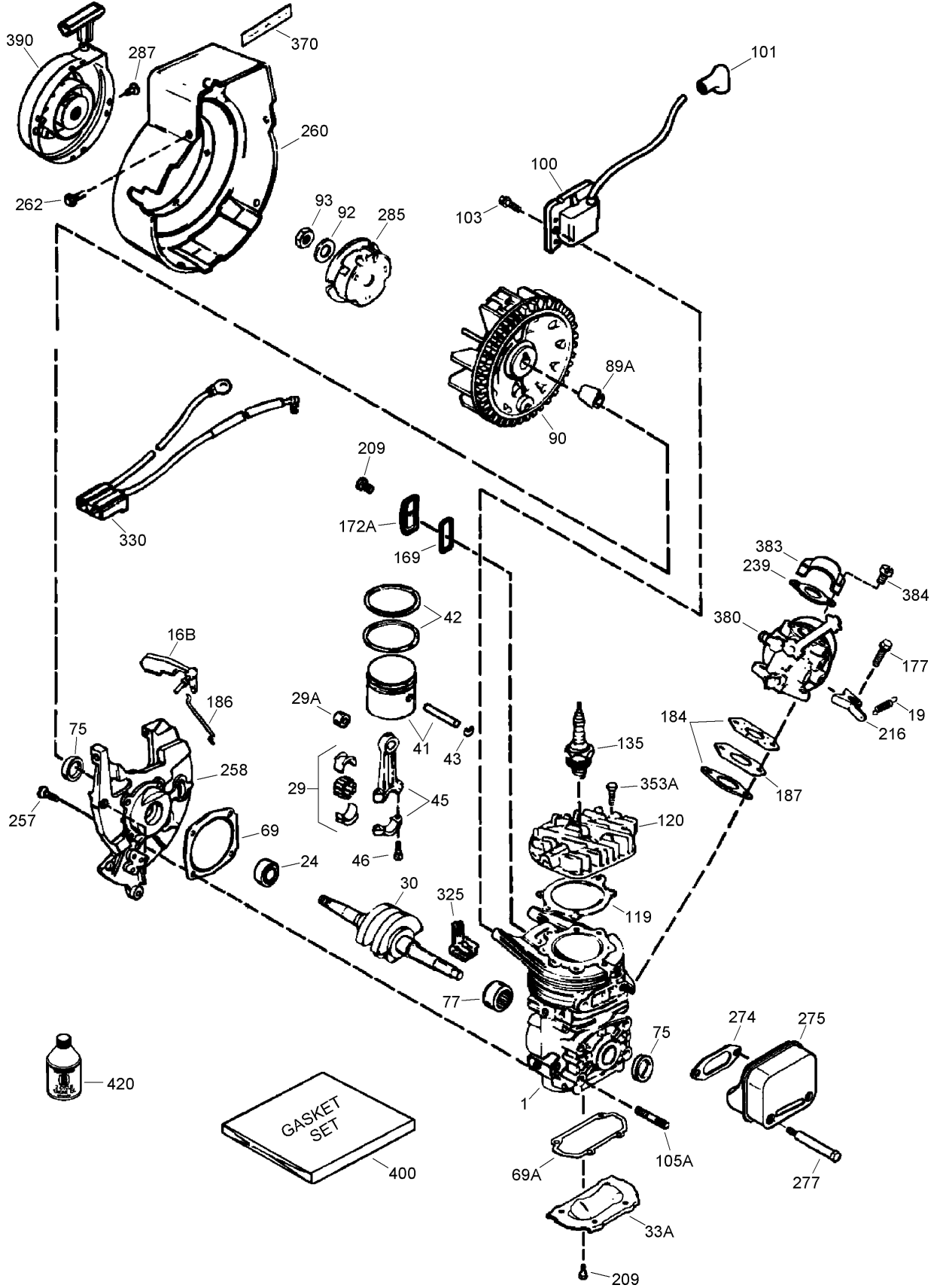
## Engine, Rotor Housing and Sideplate Assembly

Ref	Part No.	Qty.	Description
1	3296-56	1	Nut-Lock, NI
2	3256-58	1	Washer-Flat
3	80-0650	1	Spacer-Tubular
4	95-1903	1	Ring-Isolator
5	75-8980-03	1	Bracket-Support, Engine
6	3256-1	6	Washer-Flat
8	75-9100	1	Bushing-Isolator
9	94-2789	3	Screw
10	92-6012	1	Bracket And Stud ASM
11	110-3447	1	Hose-Fuel
13	2412-98	2	Clamp
18		1	Engine-Tecumseh, Th098Sa-1723F
21	321-10	4	Screw-HH
22	23-3250	2	Wheel
23	3256-14	1	Washer-Flat
27	3290-320	2	Retainer-Push On
28	75-8910-03	1	Bracket-Wheel, LH
29	27-0062	1	Axle
30	3-7501	2	Washer
31	3296-42	4	Nut-Lock, NI
32	3296-2	1	Nut-Lock
34	75-8820-03	1	Plate-Side, RH
35	32105-23	1	Screw

Ref	Part No.	Qty.	Description
36	46-8094	3	Screw-Plastite
37	75-8900-03	1	Bracket-Wheel, RH



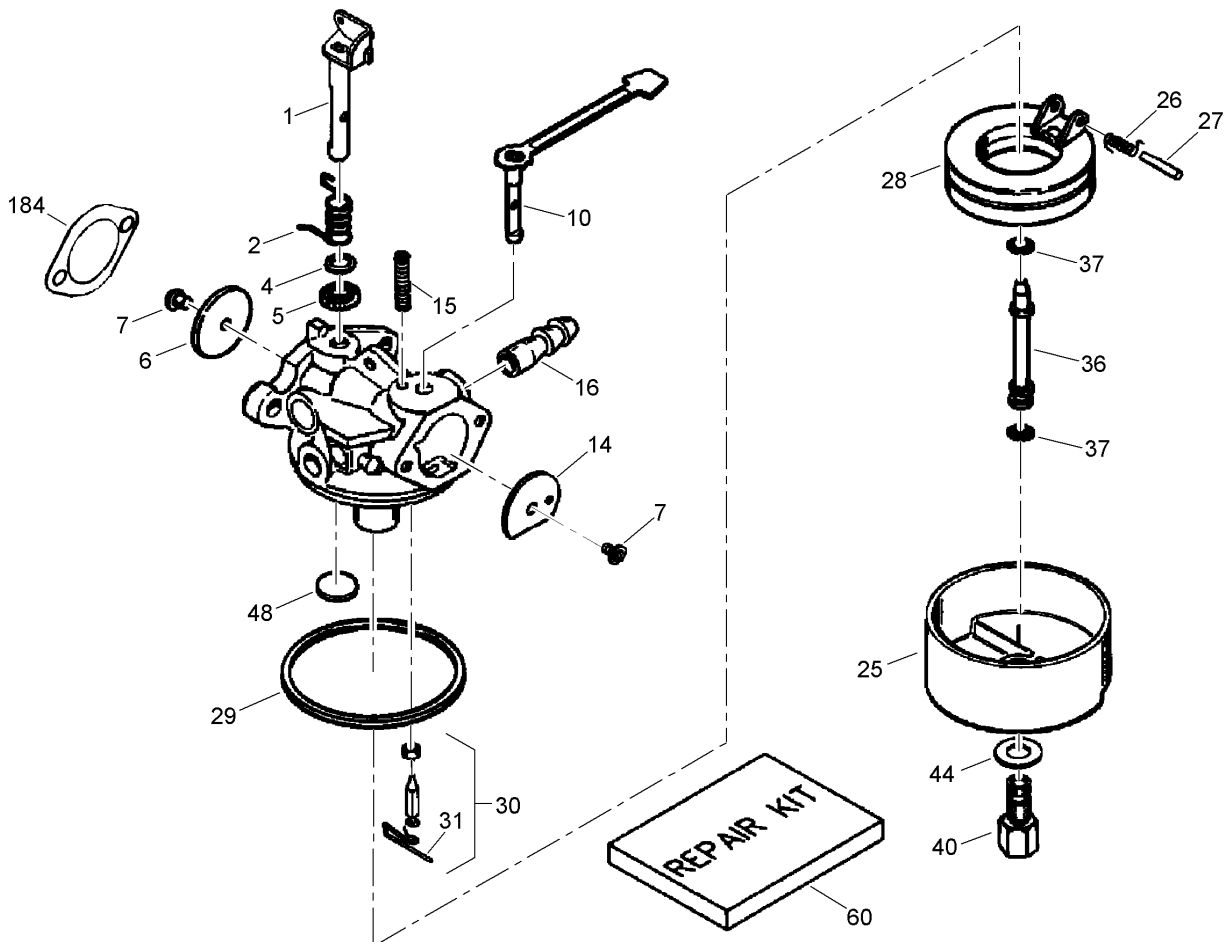
# Engine Assembly Tecumseh TH098SA-1723F



# Engine Assembly

## Tecumseh TH098SA-1723F

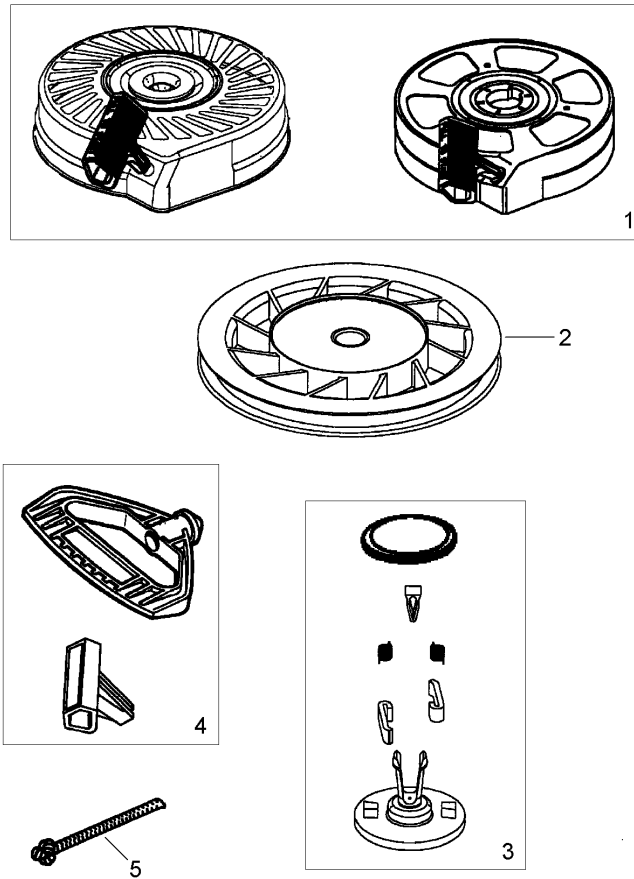
Ref	Part No.	Qty.	Description	Ref	Part No.	Qty.	Description
③1	710515A	1	Short Block-Replacement	③383	570434	1	Baffle-Carburetor
③16B	490291A	1	Vane-Air	③384	650431	2	Screw (T-25, 10-32 X 5/8)
③19	570707	1	Spring-Extention (Governor)	③390	590745	1	Starter-Rewind
③24	530110	1	Bearing-Ball	③400	510324B	1	Gasket Set
③29	530150A	1	Needle Bearing And Liner Set (37 Needle)	③420	730227D	1	Oil-2 Cycle (8 Oz)
③29A	530104A	1	Bearing-Cartridge	①③	900392B	1	Engine-Replacement
③30	290602	1	Crankshaft				
③33A	570644	1	Plate-Cover				
③41	310294A	1	Piston And Pin ASM				
③42	310289A	1	Ring Set				
③43	310167	1	Ring-Retaning (Piston Pin)				
③45	310235C	1	Connecting Rod ASM (Includes 29)				
③46	650633	2	Bolt-Rod, Connecting				
③69	510292A	1	Gasket-Cover, Cylinder				
③75	510319	2	Seal-Oil				
③77	530105	1	Bearing-Cartridge				
③89A	611032	1	Sleeve-Adapter				
③90	611066	1	Flywheel				
③92	650815	1	Washer-Belleville				
③93	650390	1	Nut-Flywheel				
③100	34443C	1	Ignition-State, Solid				
③101	610118	1	Cover-Spark Plug				
③103	651007	2	Screw (T-15, 10-24 X 15/16)				
③105A	650796	4	Stud				
③119	510274A	1	Gasket-Head, Cylinder				
③120	250240B	1	Head-Cylinder				
③135	611049	1	Spark Plug-Resistor (R C J 8Y)				
③169	510323A	1	Gasket-Plate, Cover				
③172A	570708	1	Cover-Release, Compression				
③177	650959	2	Screw (5/32 Allen, 1/4-20 X 1)				
③184	510326A	2	Gasket-Carburetor				
③186	490322	1	Governor-Link				
③187	570438A	1	Spacer				
③209	650579	4	Screw (T-25, 10-24 X 1/2)				
③216	570645	1	Lever-Adjusting, Rpm				
③239	35815	1	Gasket-Cleaner, Air				
③257	650911	4	Screw (T-30, 1/4-20 X 5/8)				
③258	350422	1	Base-Housing, Blower				
③260	350437	1	Housing-Blower				
③262	650737	4	Screw (1/4-20 X 1/2)				
③274	510207A	1	Gasket-Exhaust				
③275	390332	1	Muffler (Includes 274, 277)				
③277	650869	2	Screw (1/4-20 X 2-3/4)				
③285	590551A	1	Cup-Starter				
③287	650926	3	Screw (8-32 X 21/64)				
③325	29443	1	Clip-Wire				
③330	611131A	1	Harness-Wire				
③353A	650477	5	Screw (T-30, 1/4-20 X 3/4)				
③370	36695	1	Decal-Tecumseh Logo For Top Of Recoil Starter				
③380	640086A	1	Carburetor (Includes 184)				



## Carburetor Assembly No. 640086A Tecumseh TH098SA-1723F

Ref	Part No.	Qty.	Description
③	640086A	1	Carburetor
③1	632166A	1	Throttle Shaft And Lever ASM
③2	632169	1	Spring-Trottle, Return
③44	631184	1	Washer-Seal, Dust
③45	631183	1	Seal-Dust (Throttle)
③6	631616	1	Throttle-Shutter
③47	650506	2	Screw-Shutter
③10	632553	1	Choke Shaft And Lever ASM
③14	31837	1	Shutter-Choke
③15	630735	1	Spring-Positioning, Choke
③16	632164	1	Fitting-Fuel
③25	631867	1	Bowl-Float (No Drain)
③26	632386	1	Spring-Float, Dampening
③427	631024	1	Shaft-Float
③28	632019	1	Float
③429	631028	1	O Ring-Bowl, Float
③430	631021	1	Inlet Needle, Seat And Clip ASM (Includes 31)
③31	631022	1	Clip-Spring
③36	640080	1	Tube-Nozzle, Main
③437	632547	2	O-Ring (Main Nozzle Tube)
③40	640301	1	Nut-Bowl, High Speed
③44	27110A	1	Washer-Nut, Bowl
③448	631027	1	Plug-Welch, Atmospheric Vent

Ref	Part No.	Qty.	Description
③60	632760	1	Repair Kit
③184	510326A	2	Gasket-Carburetor



This illustration may not depict actual equipment and is for reference purposes only

## Rewind Starter No. 590745 Tecumseh TH098SA-1723F

Ref	Part No.	Qty.	Description
❶	590745	1	Starter-Rewind
❷	590645A	1	Pulley And Rewind Spring ASM
❸	590772	1	Repair Kit
❹	590701	1	Handle-Starter (STD)
❺	590535	1	Rope-Starter (98 Cut To Length)

--	--	--	--

