



Power Clear Snowthrower

Model No. 38585 - 280000001 and up.

Parts Catalog

Ordering Replacement Parts

To order replacement parts, please supply the part number, the quantity, and the description of each part desired.

Understanding Reference Numbers

Each identified part in an illustration has a reference number. The reference number for a part also appears in the parts list, along with other information about the part.

This catalog uses two special reference number formats, one to indicate parts in a service assembly and another to indicate the quantity of a given part in an illustration.

Service Assembly Reference Numbers

Parts in service assemblies have reference numbers in the form a:b. The a represents the reference number of the entire service assembly and the b represents a sequential number unique to each part within the service assembly.

For example, a wheel assembly might be identified by reference number 6, the tire by 6:1, the valve by 6:2, and the wheel by 6:3. When you order the assembly identified by reference number 6, you receive all parts identified by reference numbers 6:1, 6:2, and 6:3. However, you may also order any part individually. Reference numbers of this type appear in illustrations and in part lists.

Reference Numbers Indicating Quantity

In an illustration, if a reference number indicates more than one part, the reference number has the form nX y. The n represents the quantity of the part, the X is the multiplication symbol, and the y represents the reference number.

For example, in an illustration, the reference number 2X 37 means that two of the parts identified by reference number 37 are indicated.

Contents

Description	Page	Description	Page
Rotor Housing and Scraper Assembly 3	Quick Turn Assembly 10
Rotor Drive Assembly 4	Carburetor Assembly No. 640299B Tecumseh LH195SP-67529D 11
Chute Assembly 5	Engine Assembly No. 1 Tecumseh LH195SP-67529D 12
Rotor Assembly 6	Engine Assembly No. 2 Tecumseh LH195SP-67529D 14
Engine, Frame and Wheel Assembly 7	Recoil Starter No. 590784 Tecumseh LH195SP-67529D 16
Shroud, Control Panel and Gas Tank Assembly 8		
Handle Assembly 9		

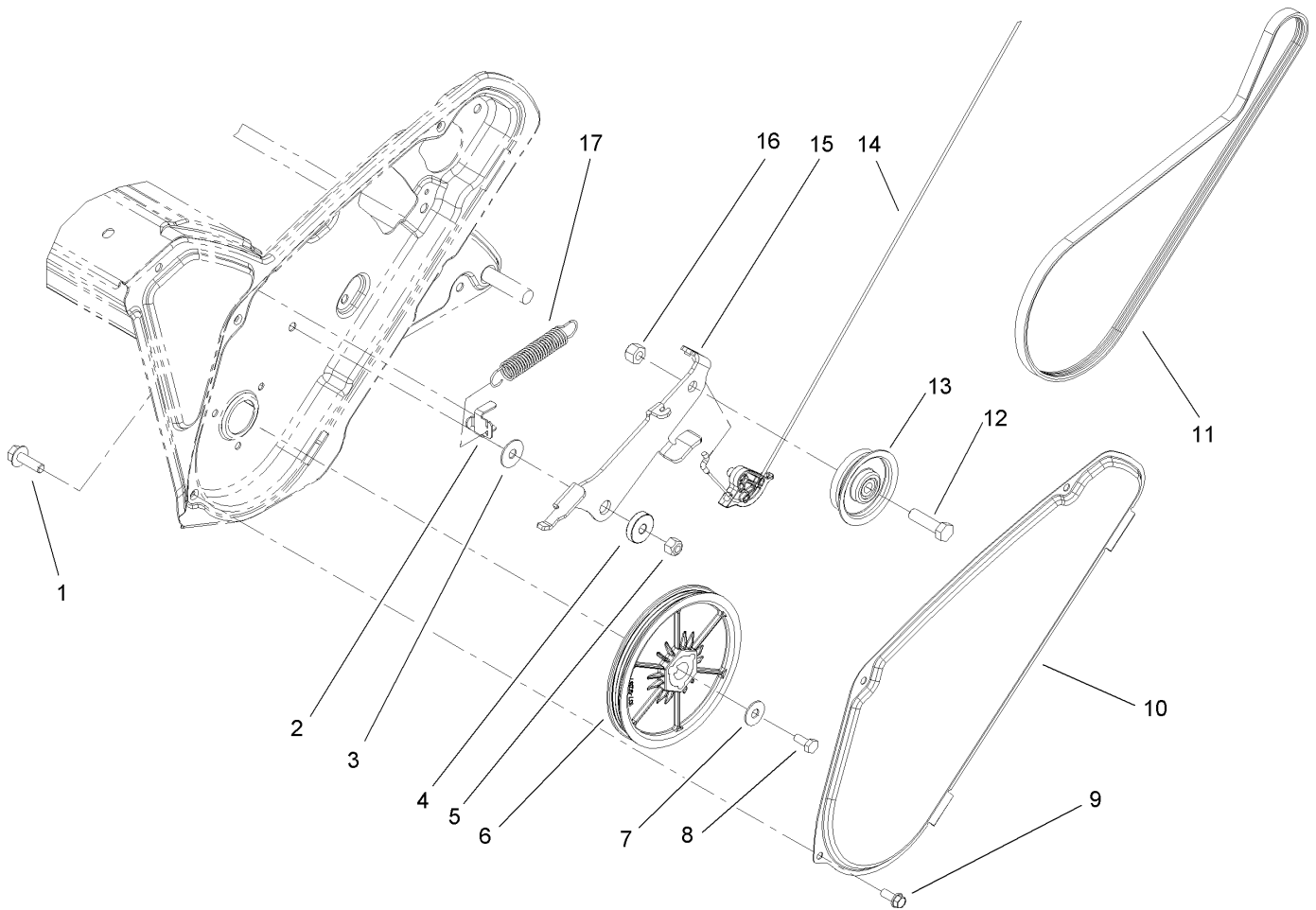
Part Description Abbreviations

Part descriptions in this catalog may include the following abbreviations.

AR. as required	HYD. hydraulic
ASM. assembly	LH. left hand
BBC. blade brake clutch	NI. nylon insert
CARR. carriage	NPTF. national pipe thread fine
DEG. degrees	PFH. phillips flat head
EXT. external	PPH. phillips pan head
FH. flat head	PPHTF. phillips pan head thread forming
GA. gauge	PRH. phillips round head
HD. heavy-duty	PTH. phillips truss head
HF. hex flange	PTO. power-take-off
HH. hex head	RH. right hand
HHF. hex head flange	ROPS. roll-over protection system
HHFTF. hex head flange thread forming	SFH. slotted fillister head
HJ. hex jam	SHH. slotted hex head
HLH. hex lag head	SHWH. slotted hex washer head
HOC. height-of-cut	SPH. slotted pan head
HSBH. hex socket button head	SQH. square head
HSFH. hex socket flat head	SRH. slotted round head
HSH. hex socket head	STD. standard
HWH. hex washer head	TAP. self tapping
HWHTF. hex washer head thread forming	TTH. torx truss head

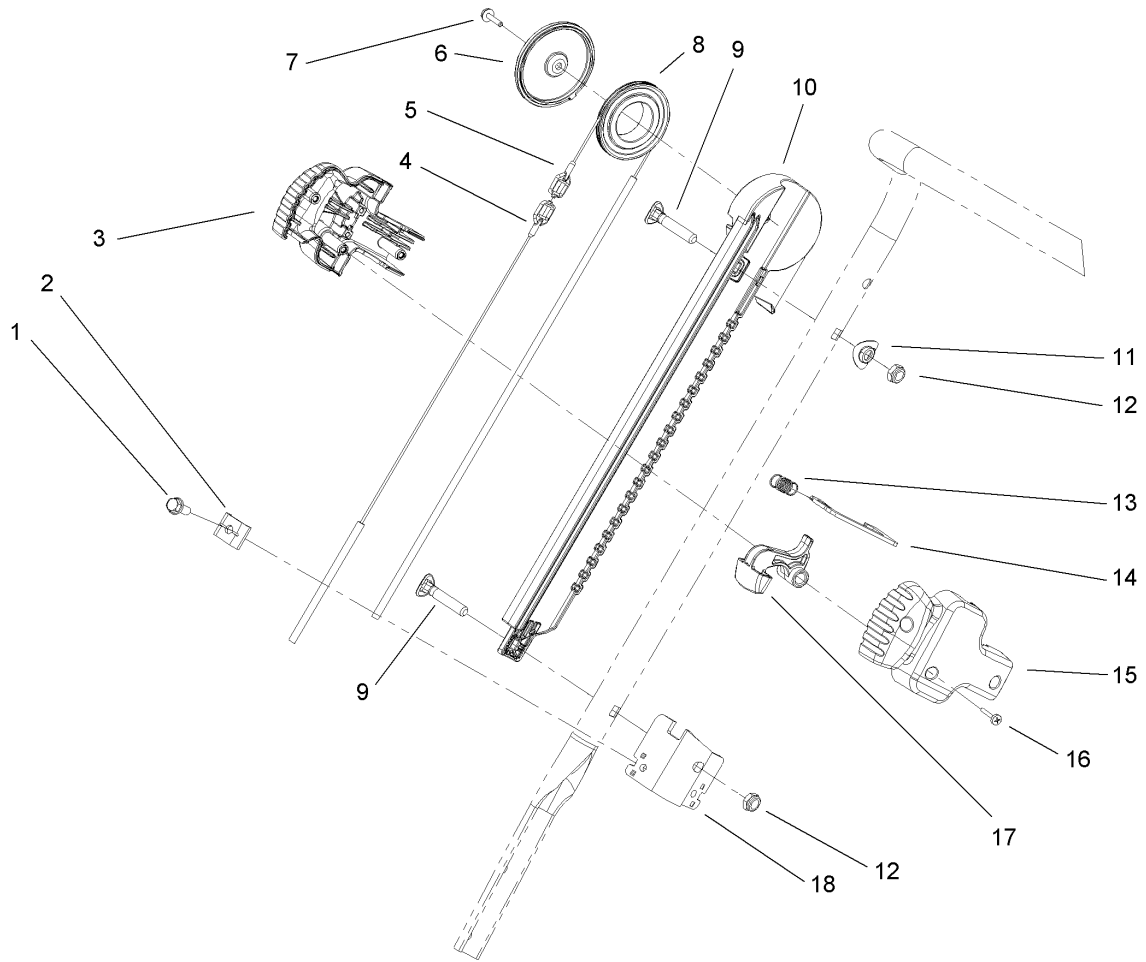
Footnotes

- | | |
|------------------------------------------|----------------------------------|
| ❶ Not illustrated | ❷ Not serviced separately |
| ❸ Obtain from your local Tecumseh dealer | ❹ Included in Repair Kit 632760B |



Rotor Drive Assembly

Ref	Part No.	Qty.	Description
1	3234-29	1	Screw-HHF
2	108-4938	1	Clip-Spring, Brake
3	108-4925	1	Washer
4	108-4916	1	Bushing-Pivot
5	3296-29	1	Nut-Lock, NI
6	107-9287	1	Rotor Pulley ASM
7	3290-456	1	Washer-Belleville
8	110-9381	1	Screw-HH
9	32144-85	3	Screw-HWH
10	108-4893-03	1	Cover-Belt
11	108-4921	1	Belt-Drive
12	323-29	1	Screw-HH
13	114-3785	1	Pulley-Idler
14	94-9949	1	Cable-Clutch
15	114-3782	1	Arm-Idler
16	32152-2	1	Nut-Lock, Cone
17	114-3788	1	Spring-Extension



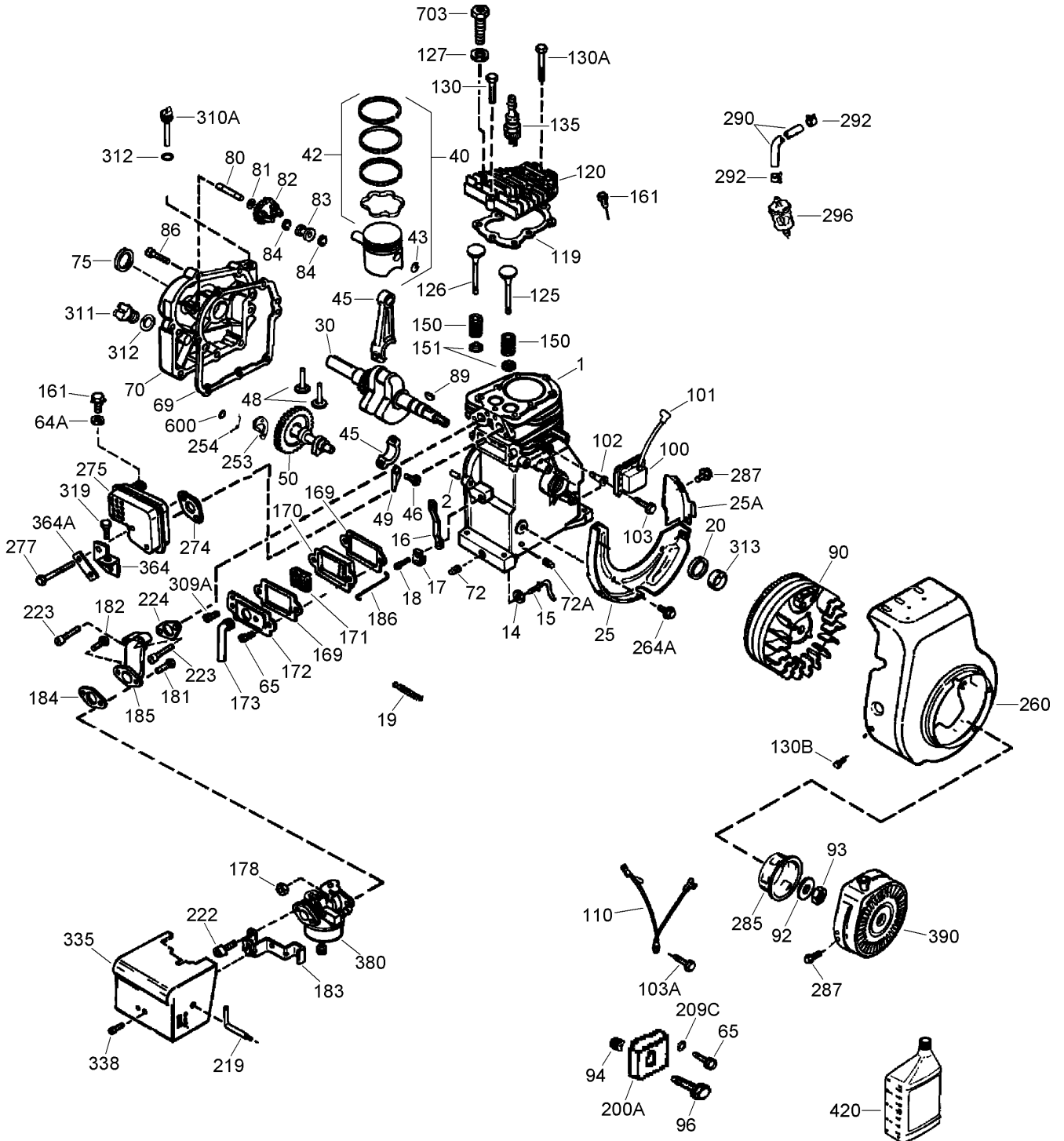
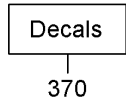
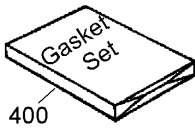
Quick Turn Assembly

Ref	Part No.	Qty.	Description
1	32144-85	2	Screw-HWH
2	106-7297	2	Clamp-Cable
3	108-4912	1	Handle-Slider, RH
4	108-4897	1	Cable-Chute, Short
5	108-4898	1	Cable-Chute, Long
6	108-4931	1	Cover-Pulley
7	98-1375	1	Screw-HWH
8	108-4907	1	Pulley-Slider
9	107-3018	2	Screw-Handle
10	108-4899	1	Track-Slider
11	107-3844	1	Washer
12	3296-47	2	Nut-Lock, NI
13	108-4914	1	Spring
14	108-4908	1	Plate-Lock, Chute
15	108-4911	1	Handle-Slider, LH
16	94-4496	3	Screw-PPH
17	108-4913	1	Trigger
18	108-4909	1	Bracket-Cable

--	--	--	--

Engine Assembly No. 1

Tecumseh LH195SP-67529D



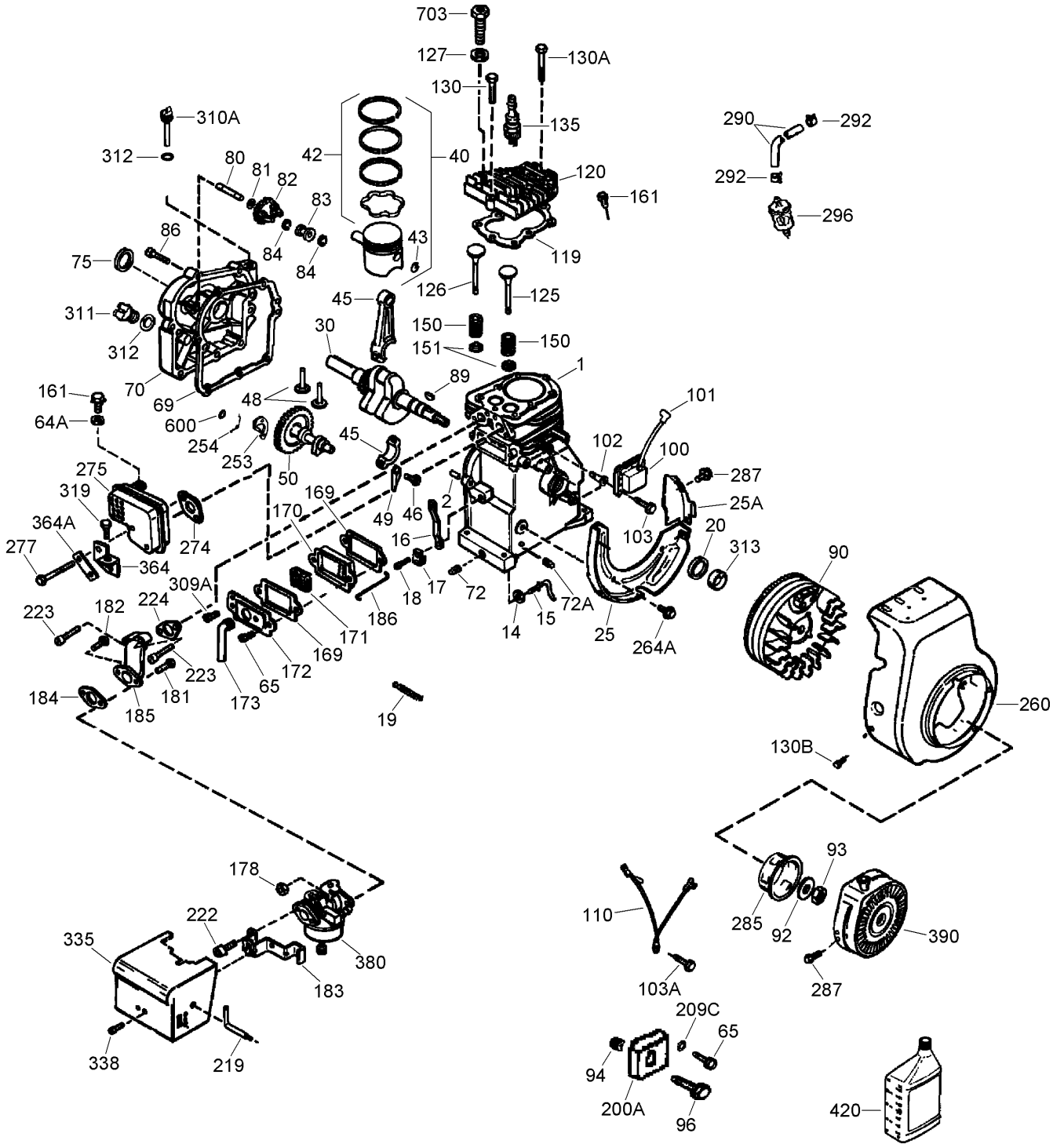
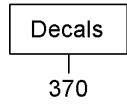
Engine Assembly No. 1

Tecumseh LH195SP-67529D

Ref	Part No.	Qty.	Description	Ref	Part No.	Qty.	Description
①1	36469A	1	Cylinder ASM (Includes 2, 20, 72, 125)	①120	37675	1	Head-Cylinder (Includes 130A)
①2	26727	2	Pin-Dowel	①125	36472	1	Valve-Exhaust (1/32 O S) (Includes 151)
①14	28277	1	Washer-Flat	①125	36471	1	Valve-Exhaust (STD) (Includes 151)
①15	31334	1	Rod-Governor	①126	32645A	1	Valve-Intake (1/32 O S) (Includes 151)
①16	37729	1	Chute Idler Arm ASM	①126	32644A	1	Valve-Intake (STD) (Includes 151)
①17	31335	1	Clamp-Lever, Governor	①127	650691	1	Washer-Flat
①18	651018	1	Screw (T-15, 8-32 X 19/64)	①130	6021A	2	Screw (5/16-18X1-1/2)
①19	30342	1	Spring-Extension	①130A	650694A	5	Screw (5/16-18 X 2)
①20	32600	1	Seal-Oil	①130B	650737	2	Screw (1/4-20 X 1/2)
①25	36552	1	Baffle-Housing, Blower	①135	35395	1	Spark Plug-Resistor (R J19 L M)
①25A	35883	1	Extension-Baffle				
①30	37842	1	Crankshaft				
①40	40005	1	Piston, Pin And Ring Set (.010 O S) (Includes 41-43)				
①40	40004	1	Piston, Pin And Ring Set (STD) (Includes 41-43)				
①42	40007	1	Ring Set (.010 O S)				
①42	40006	1	Ring Set (STD)				
①43	20381	2	Ring-Retaining, Piston Pin				
①45	32875A	1	Connecting Rod ASM (Includes 46, 49)				
①46	32610A	2	Bolt-Rod, Connecting				
①48	37670	2	Lifter-Valve				
①49	32654	1	Dipper-Oil				
①50	37671	1	Camshaft (M C R)				
①64A	8345	1	Washer				
①65	30200	1	Screw (10-24 X 9/16)				
①69	27677A	1	Gasket-Cover, Cylinder				
①70	32700B	1	Cover-Cylinder (Includes 75-83, 311)				
①72	27642	2	Plug-Drain, Oil (SQH 1/4-18)				
①72A	28582	1	Plug-Pipe (Internal Hex, 1/4-18)				
①75	27897	1	Seal-Oil				
①80	30574A	1	Shaft-Governor				
①81	30590A	1	Washer-Flat				
①82	30591	1	Governor Gear ASM				
①83	30588A	1	Spool-Governor				
①84	29193	1	Ring-Retaining				
①86	650488	1	Screw (1/4-20 X 1-1/4)				
①89	610961	1	Key-Flywheel				
90	611195	1	Flywheel				
①92	650815	1	Washer-Belleville				
①93	650816	1	Nut-Flywheel				
①94	651016	1	Nut (10-32)				
①96	30845A	1	Bolt-Adjusting, R.P.M.				
①100	34443C	1	Ignition-State, Solid				
①101	610118	1	Cover-Spark Plug				
①102	651024	2	Stud-Mounting, Solid State				
①103	651007	2	Screw (T-15, 10-24 X 15/16)				
①103A	650821	1	Screw (10-32 X 1/2)				
①110	37682	1	Wire-Ground				
①119	36443	1	Gasket-Head, Cylinder				

Engine Assembly No. 2

Tecumseh LH195SP-67529D



Engine Assembly No. 2 Tecumseh LH195SP-67529D

Ref	Part No.	Qty.	Description	Ref	Part No.	Qty.	Description
③150	31672	2	Spring-Valve	①③999	730281	1	Winter Maintenance Kit (Includes S A E 5W30 Engine Oil)
③151	31673	2	Cap-Valve, Spring	①③	754337A	1	Replacement-Block, Short
③161	30063	1	Screw (T-30, 1/4-20X1/2)				
③169	27234A	2	Gasket-Cover, Valve				
③170	27666	1	Body-Breather				
③171	31410	1	Element-Breather				
③172	34146	1	Cover-Breather				
③173	35350	1	Tube-Breather				
③178	29752	2	Nut And Lock Washer (1/4-28)				
③181	650870	1	Screw (1/4-28 X 1-11/16)				
③182	6201	1	Screw (1/4-28 X 7/8)				
③183	34583A	1	Bracket-Choke				
③184	26756	1	Gasket (Carburetor To Intake Pipe)				
③185	33691	1	Pipe-Intake				
③186	32698	1	Link-Governor To Throttle				
③200A	30846	1	Bracket-Adjusting Bolt, Governor Spring				
③209C	650518	1	Washer-Lock				
③219	34582	1	Rod-Choke				
③222	651081	2	Screw (10-32 X 15/32)				
③223	650664	2	Screw (1/4-20 X 1-19/32)				
③224	33673A	1	Gasket-Intake				
③253	36701	1	Weight-Release, Compression				
③254	36702	1	Spring-Release, Compression				
③260	35656A	1	Housing-Blower				
③264A	650802	2	Screw (1/2-20X5/8)				
③274	35865	1	Gasket-Exhaust				
③275	37684	1	Muffler (Includes 274)				
③277	792005	2	Screw (1/4-20 X 2-1/2)				
③285	36467B	1	Cup-Starter				
③287	650926	3	Screw (8-32 X 21/64)				
③290	37963	1	Line-Fuel, Low Permeation (16.0)				
③292	26460	2	Clamp-Line, Fuel				
③296	37768	1	Filter-Fuel (Includes 292)				
③309A	650783	2	Screw (10-24 X 3/4)				
③310A	34245	1	Dipstick (Includes 312)				
③311	27625	1	Plug-Fill, Oil (Includes 312)				
③312	29673	1	Gasket-Plug, Oil Fill				
③313	34080	1	Spacer				
③319	650735	1	Screw (10-24 X 3/8)				
③335	35072B	1	Cover-Carburetor				
③338	650257	2	Screw (8-32 X 5/16)				
③364	33333	1	Bracket-Cover, Carburetor				
③364A	37673	1	Plate-Locking				
③370	36695	1	Decal-Tecumseh Logo For Top Of Recoil Starter				
③380	640299B	1	Carburetor				
③390	590784	1	Starter-Recoil				
③400	36444	1	Gasket Set				
③420	730226A	1	Oil-Engine, S A E 5W30				
③600	651013	1	Washer				
③703	650818	1	Screw (5/16-18 X 1-1/2)				

NOTES

NOTES

NOTES

