



## Power Clear Snowthrower

Model No. 38586 - 280000001 and up.

### Parts Catalog

---

#### **Ordering Replacement Parts**

To order replacement parts, please supply the part number, the quantity, and the description of each part desired.

#### **Understanding Reference Numbers**

Each identified part in an illustration has a reference number. The reference number for a part also appears in the parts list, along with other information about the part.

This catalog uses two special reference number formats, one to indicate parts in a service assembly and another to indicate the quantity of a given part in an illustration.

#### **Service Assembly Reference Numbers**

Parts in service assemblies have reference numbers in the form a:b. The a represents the reference number of the entire service assembly and the b represents a sequential number unique to each part within the service assembly.

For example, a wheel assembly might be identified by reference number 6, the tire by 6:1, the valve by 6:2, and the wheel by 6:3. When you order the assembly identified by reference number 6, you receive all parts identified by reference numbers 6:1, 6:2, and 6:3. However, you may also order any part individually. Reference numbers of this type appear in illustrations and in part lists.

#### **Reference Numbers Indicating Quantity**

In an illustration, if a reference number indicates more than one part, the reference number has the form nX y. The n represents the quantity of the part, the X is the multiplication symbol, and the y represents the reference number.

For example, in an illustration, the reference number 2X 37 means that two of the parts identified by reference number 37 are indicated.

# Contents

| Description                                 | Page     | Description   | Page     |
|---|----------|---|----------|
| Rotor Housing and Scraper Assembly          | ..... 3  | Carburetor Assembly No. 640299B Tecumseh LH195SP-67530D | ..... 11 |
| Rotor Drive Assembly                        | ..... 4  | Engine Assembly No. 1 Tecumseh LH195SP-67530D           | ..... 12 |
| Chute Assembly                              | ..... 5  | Engine Assembly No. 2 Tecumseh LH195SP-67530D           | ..... 14 |
| Rotor Assembly                              | ..... 6  | Recoil Starter No. 590784 Tecumseh LH195SP-67530D       | ..... 16 |
| Engine, Frame and Wheel Assembly            | ..... 7  | Electric Starter No. 37657 Tecumseh LH195SP-67530D      | ..... 17 |
| Shroud, Control Panel and Gas Tank Assembly | ..... 8  |   |          |
| Handle Assembly                             | ..... 9  |   |          |
| Quick Turn Assembly                         | ..... 10 |   |          |

## Part Description Abbreviations

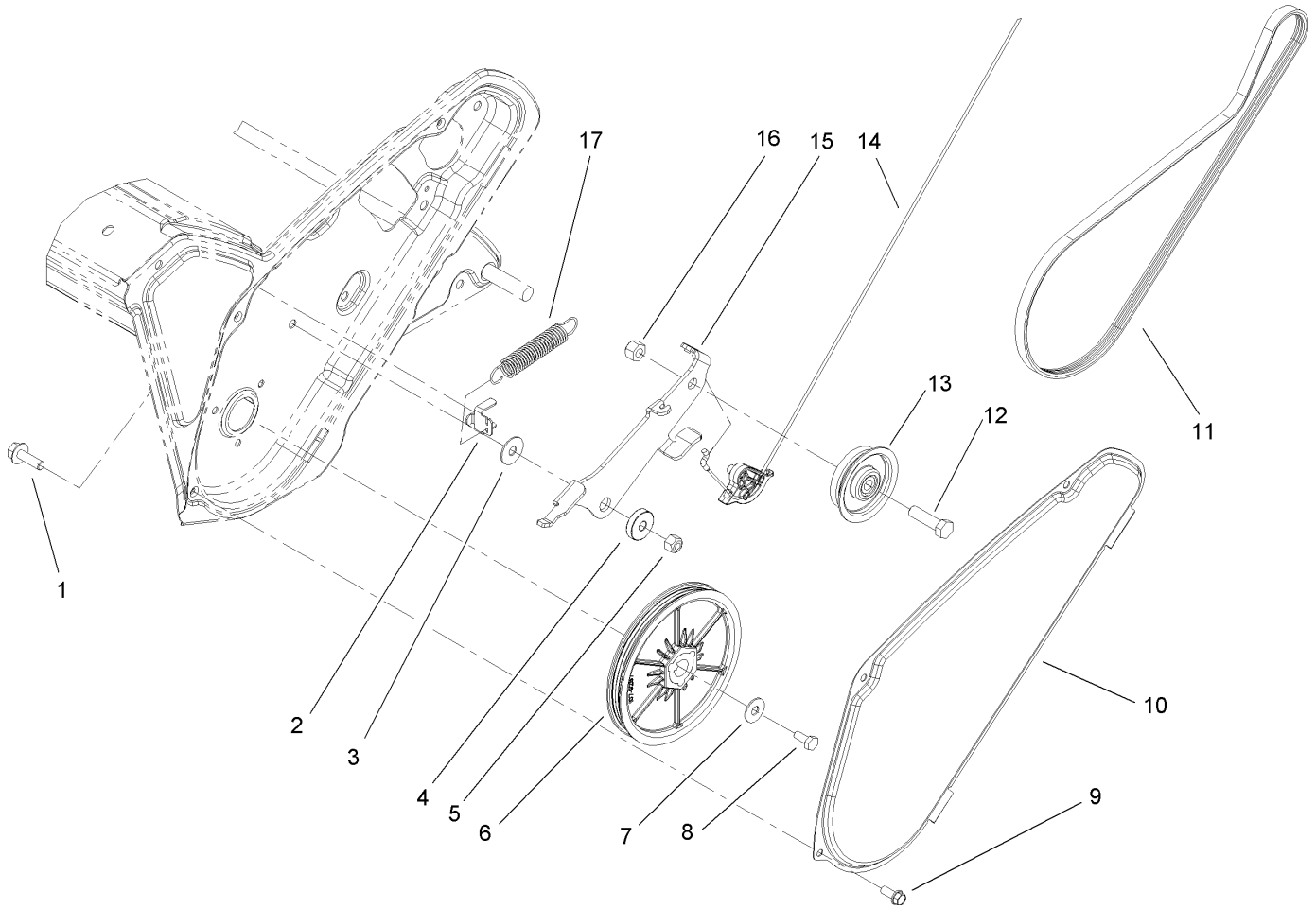
Part descriptions in this catalog may include the following abbreviations.

|  |  |
|--|--|
| AR. .... as required                       | HYD. .... hydraulic                          |
| ASM. .... assembly                         | LH. .... left hand                           |
| BBC. .... blade brake clutch               | NI. .... nylon insert                        |
| CARR. .... carriage                        | NPTF. .... national pipe thread fine         |
| DEG. .... degrees                          | PFH. .... phillips flat head                 |
| EXT. .... external                         | PPH. .... phillips pan head                  |
| FH. .... flat head                         | PPHTF. .... phillips pan head thread forming |
| GA. .... gauge                             | PRH. .... phillips round head                |
| HD. .... heavy-duty                        | PTH. .... phillips truss head                |
| HF. .... hex flange                        | PTO. .... power-take-off                     |
| HH. .... hex head                          | RH. .... right hand                          |
| HHF. .... hex head flange                  | ROPS. .... roll-over protection system       |
| HHFTF. .... hex head flange thread forming | SFH. .... slotted fillister head             |
| HJ. .... hex jam                           | SHH. .... slotted hex head                   |
| HLH. .... hex lag head                     | SHWH. .... slotted hex washer head           |
| HOC. .... height-of-cut                    | SPH. .... slotted pan head                   |
| HSBH. .... hex socket button head          | SQH. .... square head                        |
| HSFH. .... hex socket flat head            | SRH. .... slotted round head                 |
| HSH. .... hex socket head                  | STD. .... standard                           |
| HWH. .... hex washer head                  | TAP. .... self tapping                       |
| HWHTF. .... hex washer head thread forming | TTH. .... torx truss head                    |

## Footnotes

- |  |                                  |
|--|----------------------------------|
| ❶ Not illustrated                        | ❷ Not serviced separately        |
| ❸ Obtain from your local Tecumseh dealer | ❹ Included in Repair Kit 632760B |

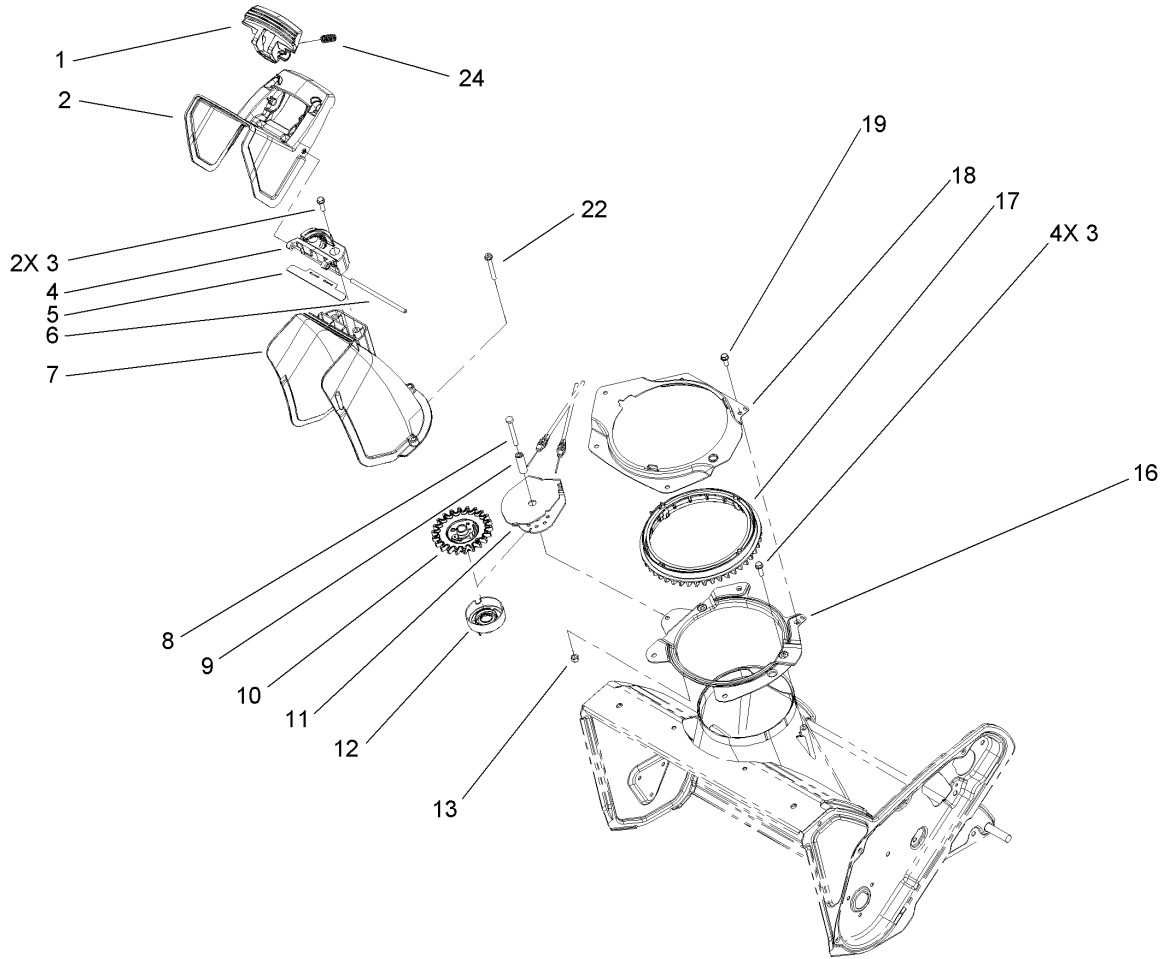




## Rotor Drive Assembly

| Ref | Part No.    | Qty. | Description        |
|-----|-------------|------|--------------------|
| 1   | 3234-29     | 1    | Screw-HHF          |
| 2   | 108-4938    | 1    | Clip-Spring, Brake |
| 3   | 108-4925    | 1    | Washer             |
| 4   | 108-4916    | 1    | Bushing-Pivot      |
| 5   | 3296-29     | 1    | Nut-Lock, NI       |
| 6   | 107-9287    | 1    | Rotor Pulley ASM   |
| 7   | 3290-456    | 1    | Washer-Belleville  |
| 8   | 110-9381    | 1    | Screw-HH           |
| 9   | 32144-85    | 3    | Screw-HWH          |
| 10  | 108-4893-03 | 1    | Cover-Belt         |
| 11  | 108-4921    | 1    | Belt-Drive         |
| 12  | 323-29      | 1    | Screw-HH           |
| 13  | 114-3785    | 1    | Pulley-Idler       |
| 14  | 94-9949     | 1    | Cable-Clutch       |
| 15  | 114-3782    | 1    | Arm-Idler          |
| 16  | 32152-2     | 1    | Nut-Lock, Cone     |
| 17  | 114-3788    | 1    | Spring-Extension   |

|  |  |  |  |
|--|--|--|--|
|  |  |  |  |
|  |  |  |  |
|  |  |  |  |
|  |  |  |  |

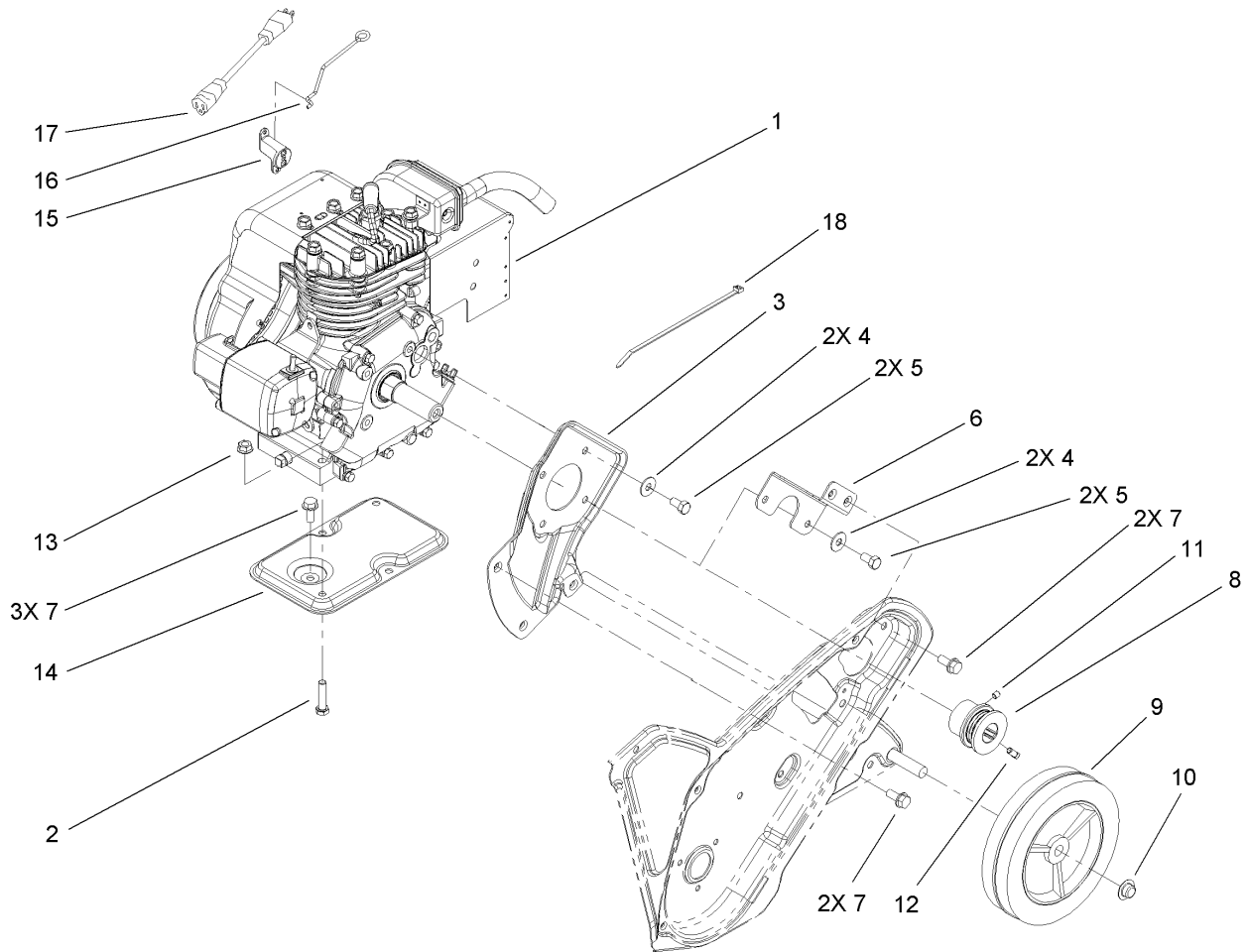


### Chute Assembly

| Ref | Part No.    | Qty. | Description              |
|-----|-------------|------|--------------------------|
| 1   | 108-4941    | 1    | Trigger-Deflector        |
| 2   | 108-4940    | 1    | Deflector                |
| 3   | 46-8091     | 6    | Screw-HWH                |
| 4   | 108-4942    | 1    | Hinge-Ratchet, Deflector |
| 5   | 114-3790    | 1    | Seal-Deflector           |
| 6   | 110-9368    | 1    | Pin-Hinge, Deflector     |
| 7   | 108-4939    | 1    | Chute                    |
| 8   | 321-18      | 1    | Screw-HH                 |
| 9   | 108-4877    | 1    | Spacer-Sleeve, Pinion    |
| 10  | 108-4875    | 1    | Pinion-Gear              |
| 11  | 108-4900-03 | 1    | Bracket-Pinion           |
| 12  | 114-3792    | 1    | Retainer-Cable           |
| 13  | 3296-42     | 1    | Nut-Lock, NI             |
| 16  | 108-4883-03 | 1    | Ring-Support, Chute      |
| 17  | 108-4882    | 1    | Ring-Chute, Gear         |
| 18  | 108-4874-03 | 1    | Retainer-Ring, Chute     |
| 19  | 32144-85    | 2    | Screw-HWH                |
| 22  | 108-4946    | 3    | Screw-Plastite           |
| 24  | 110-9360    | 2    | Spring-Compression       |

|  |  |  |  |
|--|--|--|--|
|  |  |  |  |
|--|--|--|--|

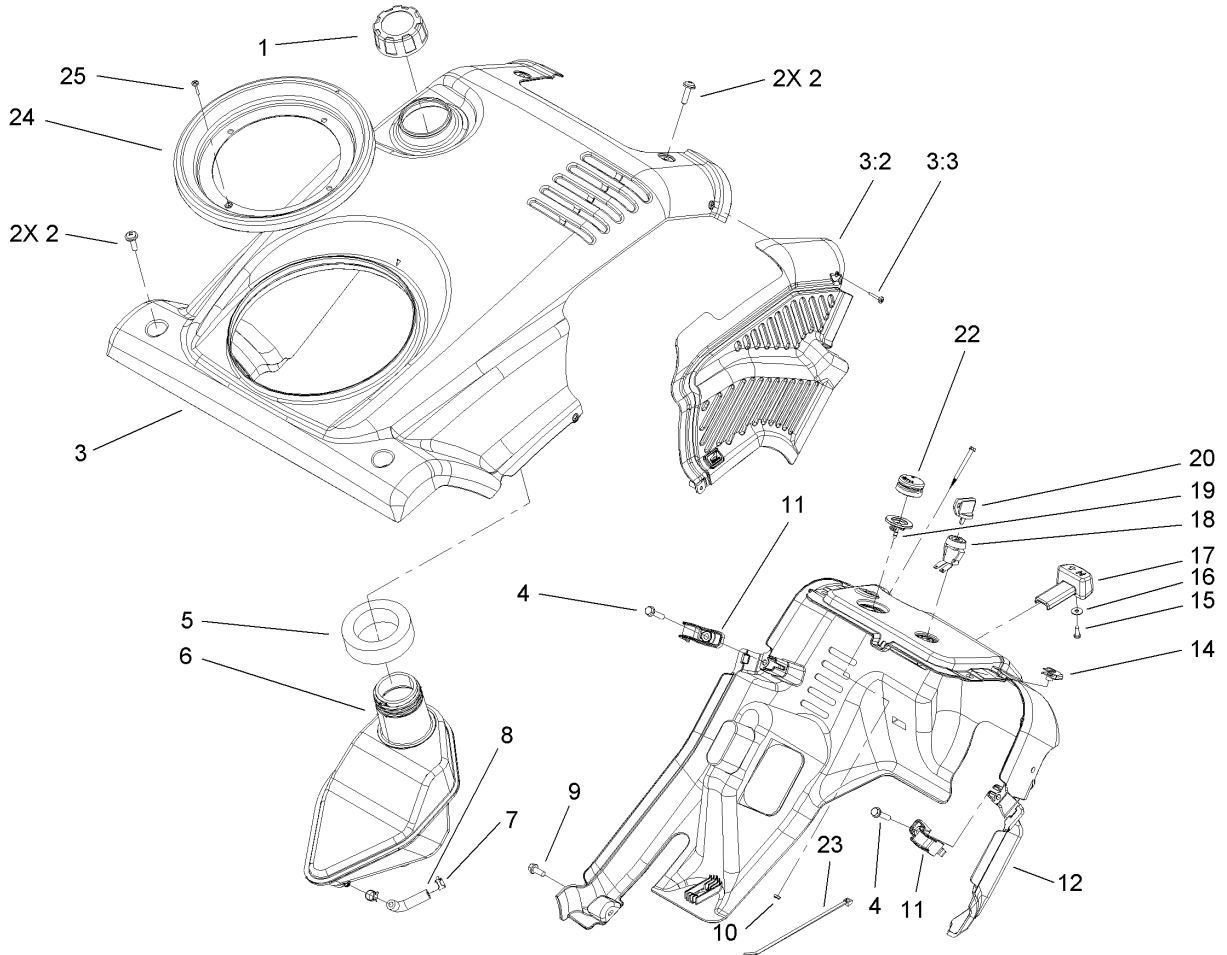




## Engine, Frame and Wheel Assembly

| Ref | Part No.    | Qty. | Description                     |
|-----|-------------|------|---------------------------------|
| ② ① |             | 1    | Engine-Tecumseh, LH195Sp-67530D |
| 2   | 322-17      | 2    | Screw-HH                        |
| 3   | 108-4892-03 | 1    | Plate-Engine, PTO               |
| 4   | 3290-456    | 4    | Washer-Belleville               |
| 5   | 3210-2      | 4    | Screw-HH                        |
| 6   | 110-9354-03 | 1    | Support-Engine, Side            |
| 7   | 32144-11    | 7    | Screw-HWHTF                     |
| 8   | 108-4934    | 1    | Pulley-Engine, 4 Cycle          |
| 9   | 66-6510     | 2    | Wheel                           |
| 10  | 32112-14    | 2    | Nut-Push                        |
| 11  | 3245-32     | 1    | Screw-HSH                       |
| 12  | 3241-7      | 1    | Screw-SQH                       |
| 13  | 32128-20    | 2    | Nut-HF                          |
| 14  | 108-4902-03 | 1    | Support-Engine                  |
| 15  | 110-9362    | 1    | Bellcrank-Choke, 4 Stroke       |
| 16  | 110-9365    | 1    | Link-Choke Knob, L-Head         |
| 17  | 99-9300     | 1    | Cord-Extension                  |
| 18  | 614249      | 1    | Strap-Tie                       |

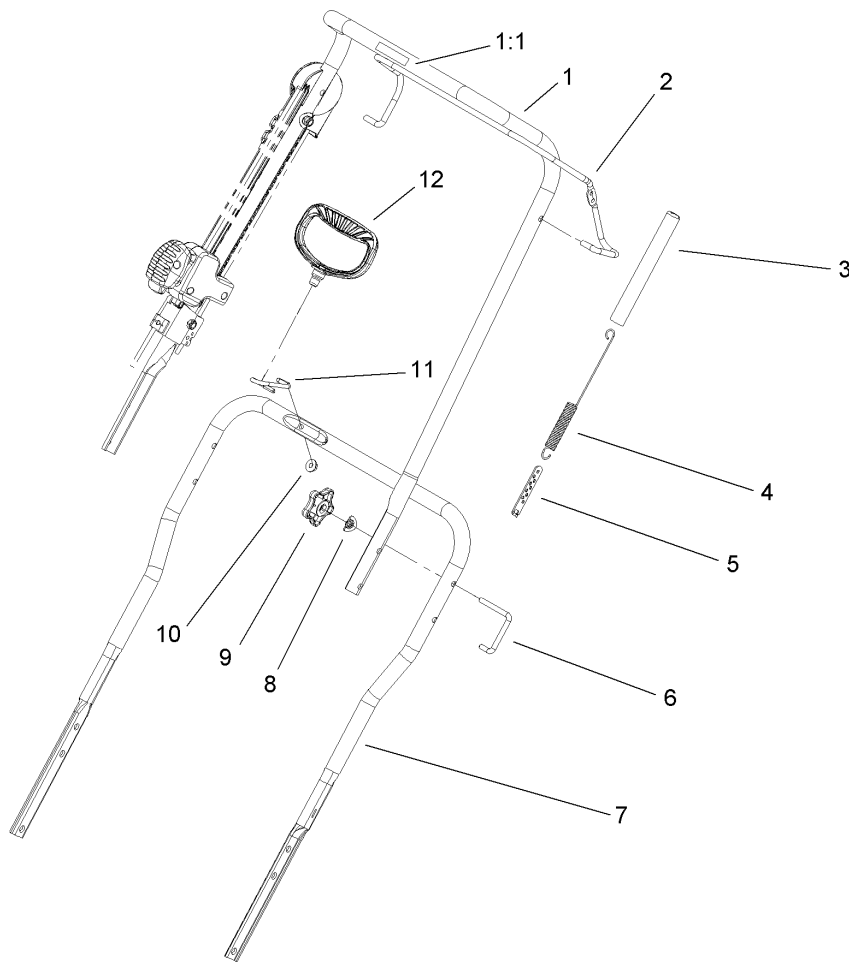
|  |  |  |  |
|--|--|--|--|
|  |  |  |  |
|--|--|--|--|



## Shroud, Control Panel and Gas Tank Assembly

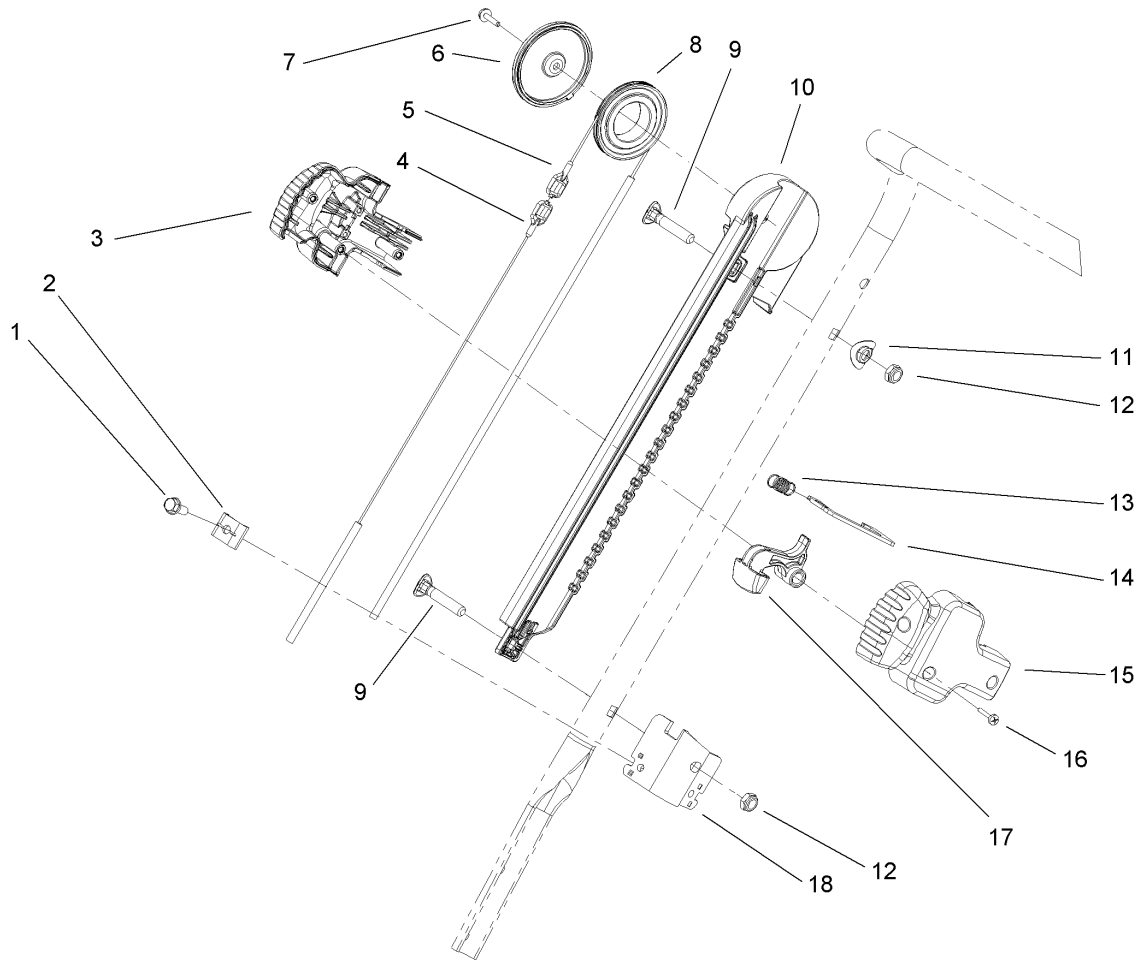
| Ref | Part No.  | Qty. | Description          |
|-----|-----------|------|----------------------|
| 1   | 114-3764  | 1    | 4-Cycle Gas Cap ASM  |
| 2   | 110-9361  | 4    | Screw-PPH, Sems      |
| 3   | 114-3759  | 1    | Shroud ASM           |
| 3:2 | 114-3794  | 1    | Baffle-Heat, 4-Cycle |
| 3:3 | 94-4496   | 2    | Screw-PPH            |
| 4   | 46-8092   | 2    | Screw-Plastite       |
| 5   | 114-3773  | 1    | Seal-Tank            |
| 6   | 108-4880  | 1    | Tank-Gas             |
| 7   | 2412-98   | 2    | Clamp                |
| 8   | 114-3765  | 1    | Hose-Fuel            |
| 9   | 32144-85  | 1    | Screw-HWH            |
| 10  | 3296-9    | 2    | Nut-Lock             |
| 11  | 108-4947  | 2    | Clip-Shroud          |
| 12  | 108-4930  | 1    | Shroud-Lower         |
| 14  | 107069    | 2    | Clip                 |
| 15  | 32144-111 | 1    | Screw-PPH            |
| 16  | 3256-49   | 1    | Washer-Flat          |
| 17  | 110-9363  | 1    | Knob-Choke           |
| 18  | 40-5940   | 1    | Switch               |
| 19  | 44-2750   | 1    | Body-Primer          |
| 20  | 63-8360   | 1    | Key-Ignition         |
| 22  | 66-7460   | 1    | Bulb-Primer          |
| 23  | 614249    | 1    | Strap-Tie            |
| 24  | 114-3772  | 1    | Seal-Ring, Chute     |

| Ref | Part No. | Qty. | Description |
|-----|----------|------|-------------|
| 25  | 94-4496  | 1    | Screw-PPH   |



## Handle Assembly

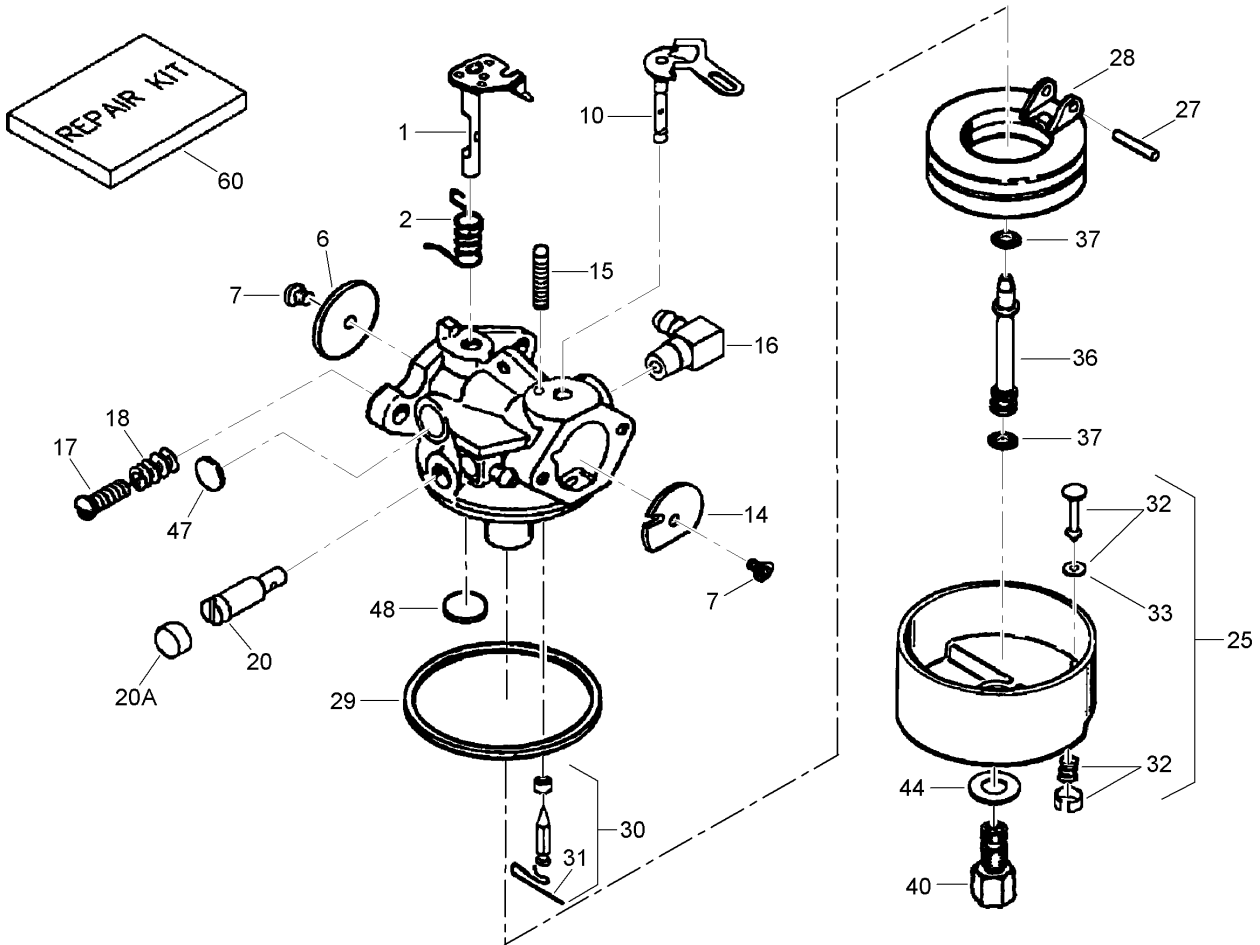
| Ref | Part No.    | Qty. | Description            |  |  |  |  |
|-----|-------------|------|------------------------|--|--|--|--|
| 1   | 114-3768    | 1    | Upper Handle ASM       |  |  |  |  |
| 1:1 | 94-2577     | 1    | Decal-Drive, Rotor     |  |  |  |  |
| 2   | 114-3780-03 | 1    | Bail-Control           |  |  |  |  |
| 3   | 114-3796    | 1    | Cover-Spring           |  |  |  |  |
| 4   | 108-4920    | 1    | Spring-Extension       |  |  |  |  |
| 5   | 71-5330     | 1    | Adjuster-Cable, Clutch |  |  |  |  |
| 6   | 108-4887    | 2    | Lock-Handle            |  |  |  |  |
| 7   | 108-4944-03 | 1    | Handle-Lower           |  |  |  |  |
| 8   | 107-3844    | 2    | Washer                 |  |  |  |  |
| 9   | 114-3779    | 2    | Knob-Handle            |  |  |  |  |
| 10  | 114-3778    | 1    | Nut-Lock NI            |  |  |  |  |
| 11  | 108-4949    | 1    | Guide-Rope             |  |  |  |  |
| 12  | 110-9375    | 1    | Recoil-Handle          |  |  |  |  |



## Quick Turn Assembly

| Ref | Part No. | Qty. | Description        |
|-----|----------|------|--------------------|
| 1   | 32144-85 | 2    | Screw-HWH          |
| 2   | 106-7297 | 2    | Clamp-Cable        |
| 3   | 108-4912 | 1    | Handle-Slider, RH  |
| 4   | 108-4897 | 1    | Cable-Chute, Short |
| 5   | 108-4898 | 1    | Cable-Chute, Long  |
| 6   | 108-4931 | 1    | Cover-Pulley       |
| 7   | 98-1375  | 1    | Screw-HWH          |
| 8   | 108-4907 | 1    | Pulley-Slider      |
| 9   | 107-3018 | 2    | Screw-Handle       |
| 10  | 108-4899 | 1    | Track-Slider       |
| 11  | 107-3844 | 1    | Washer             |
| 12  | 3296-47  | 2    | Nut-Lock, NI       |
| 13  | 108-4914 | 1    | Spring             |
| 14  | 108-4908 | 1    | Plate-Lock, Chute  |
| 15  | 108-4911 | 1    | Handle-Slider, LH  |
| 16  | 94-4496  | 3    | Screw-PPH          |
| 17  | 108-4913 | 1    | Trigger            |
| 18  | 108-4909 | 1    | Bracket-Cable      |

|  |  |  |  |
|--|--|--|--|
|  |  |  |  |
|--|--|--|--|



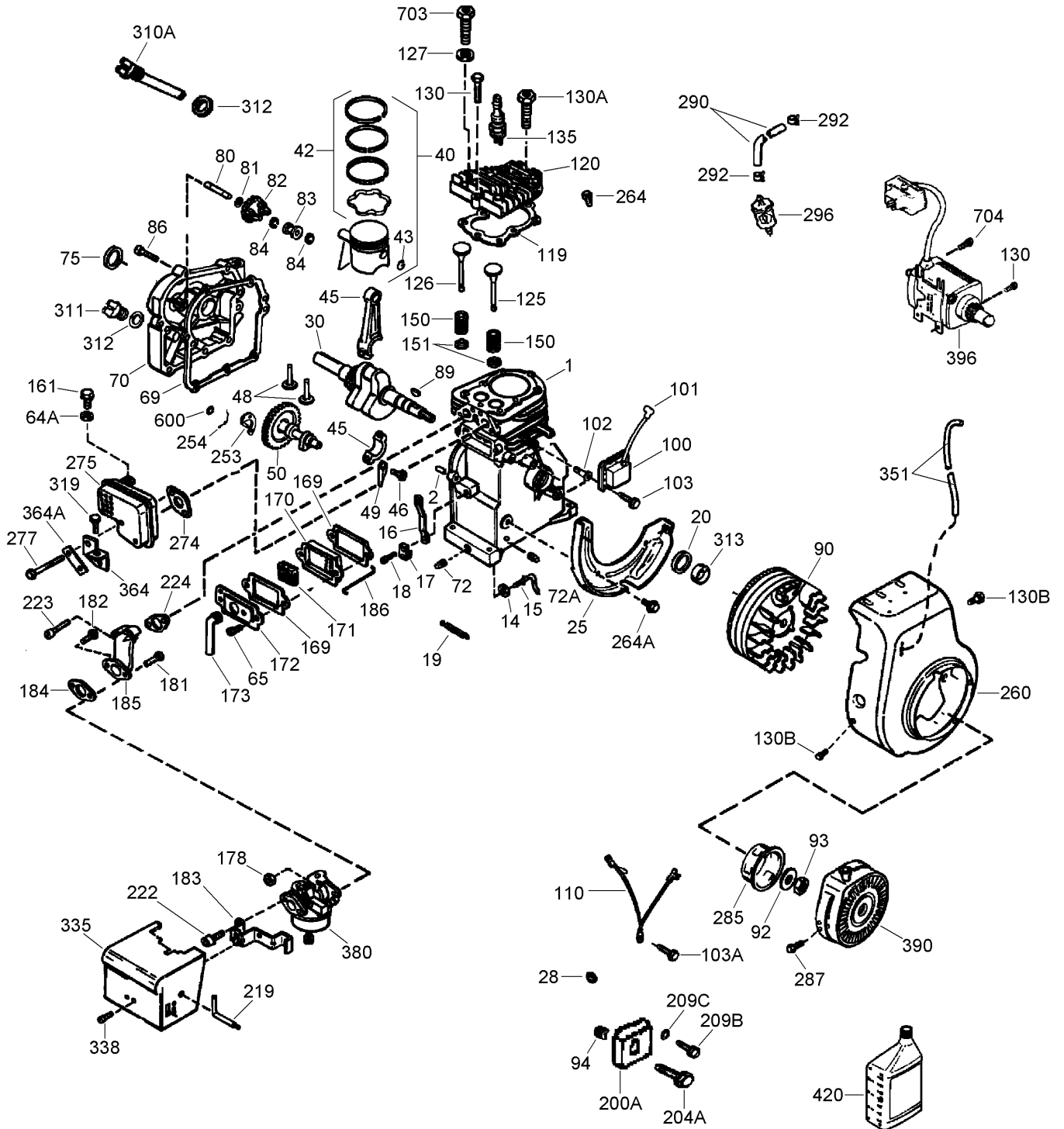
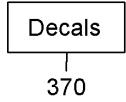
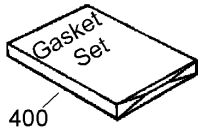
## Carburetor Assembly No. 640299B Tecumseh LH195SP-67530D

| Ref  | Part No. | Qty. | Description  |
|------|----------|------|--|
| ③    | 640299B  | 1    | Carburetor (Includes 184 Of Engine Parts List)     |
| ③1   | 631615   | 1    | Throttle Shaft And Lever ASM                       |
| ③2   | 631767   | 1    | Spring-Return, Throttle                            |
| ③6   | 640070   | 1    | Shutter-Throttle                                   |
| ③47  | 650506   | 2    | Screw-Shutter                                      |
| ③10  | 632108   | 1    | Choke Shaft And Lever ASM                          |
| ③14  | 631890   | 1    | Shutter-Choke                                      |
| ③15  | 630735   | 1    | Spring-Positioning, Choke                          |
| ③16  | 631808   | 1    | Fitting-Inlet, Fuel                                |
| ③17  | 651025   | 1    | Screw-Throttle Crack And Idle Speed                |
| ③18  | 630766   | 1    | Spring-Tension                                     |
| ③20  | 640027   | 1    | Screw-Restrictor, Idle                             |
| ③20A | 640053   | 1    | Cap-Screw, Idle Restrictor                         |
| ③25  | 631867   | 1    | Bowl-Float (No Drain) (After 1/01/2006)            |
| ③25  | 631951   | 1    | Float Bowl ASM (Before 1/01/2006) (Includes 32-33) |
| ③427 | 631024   | 1    | Shaft-Float  |
| ③28  | 632802   | 1    | Float (Plastic)                                    |
| ③429 | 631028   | 1    | O Ring-Bowl, Float                                 |
| ③430 | 631021A  | 1    | Inlet Needle, Seat And Clip ASM (Includes 31)      |
| ③31  | 631022   | 1    | Clip-Spring  |

| Ref  | Part No. | Qty. | Description                              |
|------|----------|------|--|
| ③32  | 27136A   | 1    | Bowl Drain ASM (Before 1/01/2006)        |
| ③433 | 27554    | 1    | Gasket-Plunger, Drain (Before 1/01/2006) |
| ③36  | 632745   | 1    | Tube-Nozzle, Main                        |
| ③437 | 632547   | 2    | O-Ring                                   |
| ③40  | 640131   | 1    | Nut-Bowl, High Speed                     |
| ③444 | 27110A   | 1    | Washer-Nut, Bowl                         |
| ③447 | 630748   | 1    | Plug-Welch, Idle Mixture Well            |
| ③448 | 631027   | 1    | Plug-Welch, Atmospheric Vent             |
| ③60  | 632760B  | 1    | Carburetor Repair Kit                    |

# Engine Assembly No. 1

## Tecumseh LH195SP-67530D



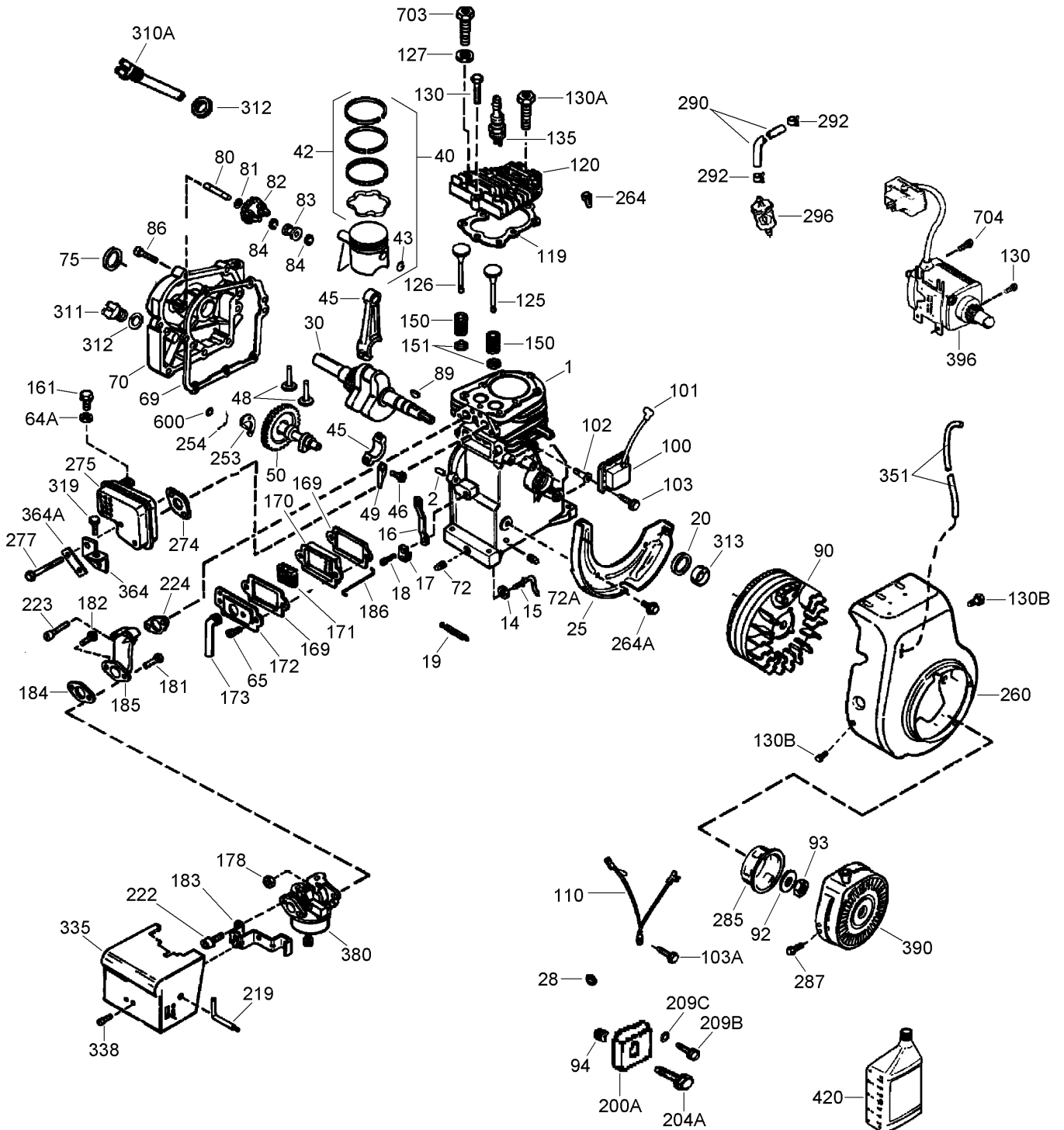
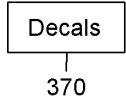
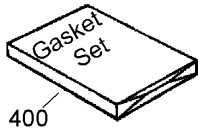
# Engine Assembly No. 1

## Tecumseh LH195SP-67530D

| Ref   | Part No. | Qty. | Description  | Ref   | Part No. | Qty. | Description                             |
|-------|----------|------|--|-------|----------|------|---|
| ①1    | 36469A   | 1    | Cylinder ASM (Includes 2, 20, 72, 125)               | ①125  | 36472    | 1    | Valve-Exhaust (1/32 O S) (Includes 151) |
| ①2    | 26727    | 2    | Pin-Dowel  | ①125  | 36471    | 1    | Valve-Exhaust (STD) (Includes 151)      |
| ①14   | 28277    | 1    | Washer-Flat  | ①126  | 32645A   | 1    | Valve-Intake (1/32 O S) (Includes 151)  |
| ①15   | 31334    | 1    | Rod-Governor   | ①126  | 32644A   | 1    | Valve-Intake (STD) (Includes 151)       |
| ①16   | 37729    | 1    | Chute Idler Arm ASM                                  | ①127  | 650691   | 1    | Washer-Flat                             |
| ①17   | 31335    | 1    | Clamp-Lever, Governor                                | ①130  | 6021A    | 2    | Screw (5/16-18X1-1/2)                   |
| ①18   | 651018   | 1    | Screw (T-15, 8-32 X 19/64)                           | ①130A | 650694A  | 5    | Screw (5/16-18 X 2)                     |
| ①19   | 30342    | 1    | Spring-Extension                                     | ①130B | 650737   | 2    | Screw (1/4-20 X 1/2)                    |
| ①20   | 32600    | 1    | Seal-Oil   | ①135  | 35395    | 1    | Spark Plug-Resistor (R J19 L M)         |
| ①25   | 36552    | 1    | Baffle-Housing, Blower                               |       |          |      |   |
| ①28   | 30200    | 1    | Screw (10-24 X 9/16)                                 |       |          |      |   |
| ①30   | 37842    | 1    | Crankshaft   |       |          |      |   |
| ①40   | 40005    | 1    | Piston, Pin And Ring Set (.010 O S) (Includes 41-43) |       |          |      |   |
| ①40   | 40004    | 1    | Piston, Pin And Ring Set (STD) (Includes 41-43)      |       |          |      |   |
| ①42   | 40007    | 1    | Ring Set (.010 O S)                                  |       |          |      |   |
| ①42   | 40006    | 1    | Ring Set (STD)                                       |       |          |      |   |
| ①43   | 20381    | 2    | Ring-Retaining, Piston Pin                           |       |          |      |   |
| ①45   | 32875A   | 1    | Connecting Rod ASM (Includes 46, 49)                 |       |          |      |   |
| ①46   | 32610A   | 2    | Bolt-Rod, Connecting                                 |       |          |      |   |
| ①48   | 37670    | 2    | Lifter-Valve   |       |          |      |   |
| ①49   | 32654    | 1    | Dipper-Oil   |       |          |      |   |
| ①50   | 37671    | 1    | Camshaft (M C R)                                     |       |          |      |   |
| ①64A  | 8345     | 1    | Washer   |       |          |      |   |
| ①65   | 650783   | 2    | Screw (10-24 X 3/4)                                  |       |          |      |   |
| ①69   | 27677A   | 1    | Gasket-Cover, Cylinder                               |       |          |      |   |
| ①70   | 32700B   | 1    | Cover-Cylinder (Includes 75-83, 311)                 |       |          |      |   |
| ①72   | 27642    | 2    | Plug-Drain, Oil (SQH 1/4-18)                         |       |          |      |   |
| ①72A  | 28582    | 1    | Plug-Pipe (Internal Hex, 1/4-18)                     |       |          |      |   |
| ①75   | 27897    | 1    | Seal-Oil   |       |          |      |   |
| ①80   | 30574A   | 1    | Shaft-Governor                                       |       |          |      |   |
| ①81   | 30590A   | 1    | Washer-Flat  |       |          |      |   |
| ①82   | 30591    | 1    | Governor Gear ASM                                    |       |          |      |   |
| ①83   | 30588A   | 1    | Spool-Governor                                       |       |          |      |   |
| ①84   | 29193    | 2    | Ring-Retaining                                       |       |          |      |   |
| ①86   | 650488   | 7    | Screw (1/4-20 X 1-1/4)                               |       |          |      |   |
| ①89   | 610961   | 1    | Key-Flywheel   |       |          |      |   |
| ①90   | 611199   | 1    | Flywheel (Ring Gear)                                 |       |          |      |   |
| ①92   | 650815   | 1    | Washer-Belleville                                    |       |          |      |   |
| ①93   | 650816   | 1    | Nut-Flywheel   |       |          |      |   |
| ①94   | 651016   | 1    | Nut (10-32)  |       |          |      |   |
| ①100  | 34443C   | 1    | Ignition-State, Solid                                |       |          |      |   |
| ①101  | 610118   | 1    | Cover-Spark Plug                                     |       |          |      |   |
| ①102  | 651024   | 1    | Stud-Mounting, Solid State                           |       |          |      |   |
| ①103  | 651007   | 2    | Screw (T-15, 10-24 X 15/16)                          |       |          |      |   |
| ①103A | 650821   | 1    | Screw (10-32 X 1/2)                                  |       |          |      |   |
| ①110  | 37682    | 1    | Wire-Ground  |       |          |      |   |
| ①119  | 36443    | 1    | Gasket-Head, Cylinder                                |       |          |      |   |
| ①120  | 37675    | 1    | Head-Cylinder (Includes 130A)                        |       |          |      |   |

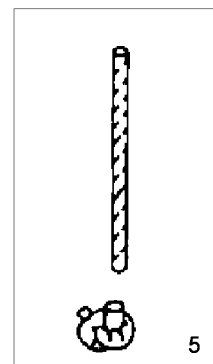
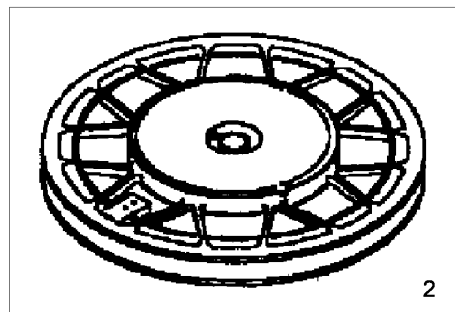
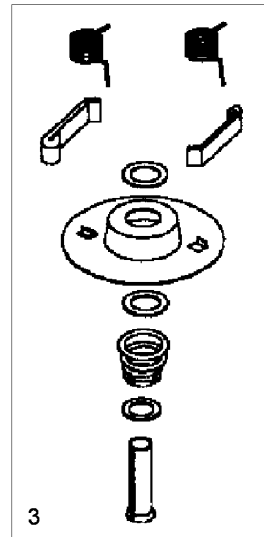
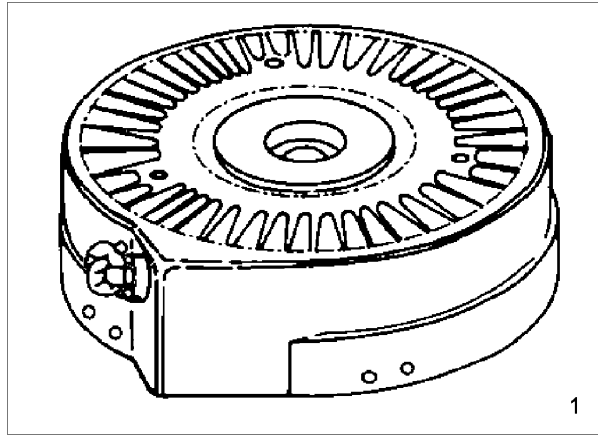
# Engine Assembly No. 2

## Tecumseh LH195SP-67530D



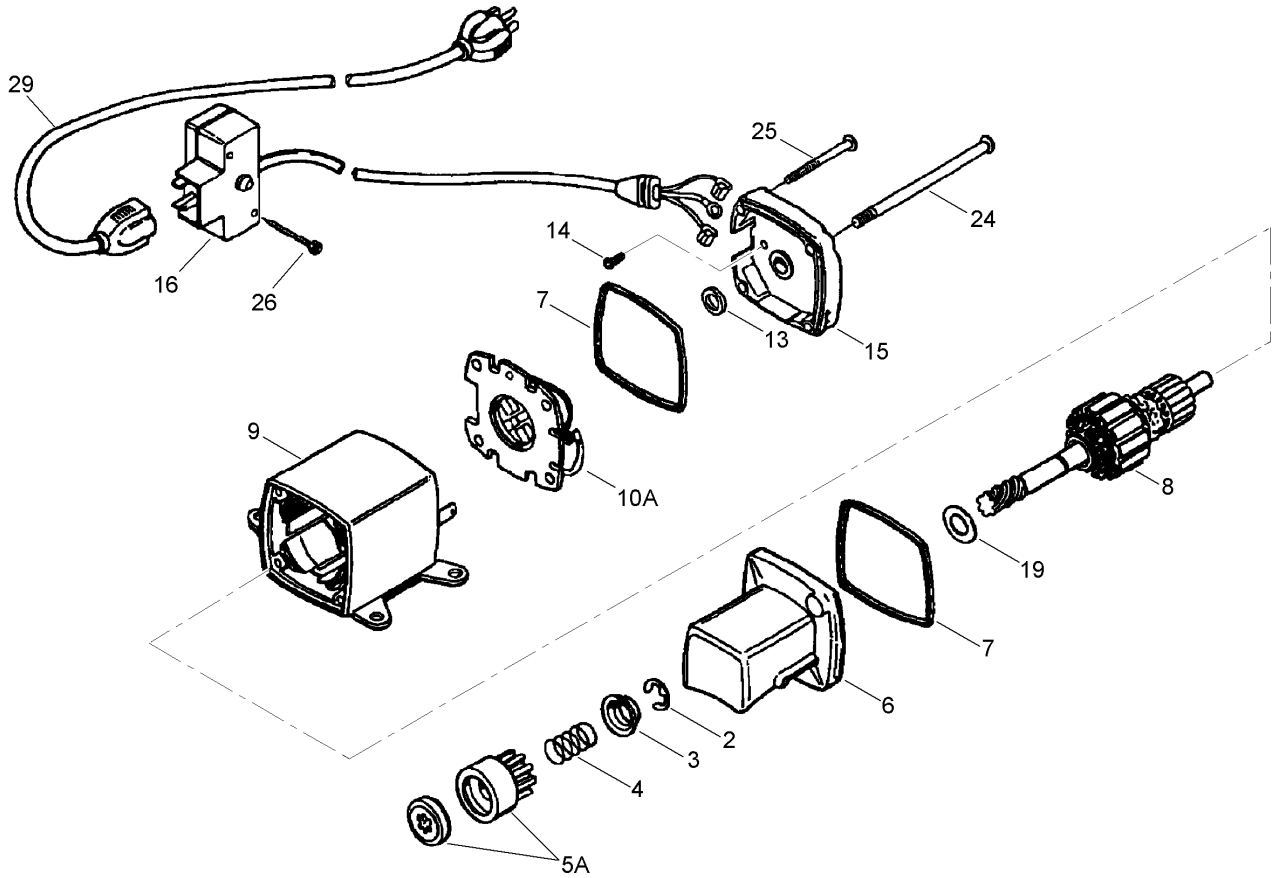
## Engine Assembly No. 2 Tecumseh LH195SP-67530D

| Ref   | Part No. | Qty. | Description                                   | Ref  | Part No. | Qty. | Description                           |
|-------|----------|------|---|------|----------|------|---------------------------------------|
| ③150  | 31672    | 2    | Spring-Valve                                  | ③396 | 37657    | 1    | Electric Starter Motor ASM (110 Volt) |
| ③151  | 31673    | 2    | Cap-Valve, Spring                             | ③400 | 36444    | 1    | Gasket Set                            |
| ③161  | 30063    | 1    | Screw (T-30, 1/4-20X1/2)                      | ③420 | 730226A  | 1    | Oil-Engine, S A E 5W30                |
| ③169  | 27234A   | 2    | Gasket-Cover, Valve                           | ③600 | 651013   | 1    | Washer                                |
| ③170  | 27666    | 1    | Body-Breather                                 | ③703 | 650818   | 1    | Screw ( 5/16-18 X 1-1/2)              |
| ③171  | 31410    | 1    | Element-Breather                              | ③704 | 650738   | 2    | Screw (1/4-20 X 5/8)                  |
| ③172  | 34146    | 1    | Cover-Breather                                | ③999 | 730281   | 1    | Winter Maintenance Kit                |
| ③173  | 35350    | 1    | Tube-Breather                                 | ①③   | 754337A  | 1    | Replacement-Block, Short              |
| ③178  | 29752    | 1    | Nut And Lock Washer (1/4-28)                  |      |          |      |                                       |
| ③181  | 650870   | 1    | Screw (1/4-28 X 1-11/16)                      |      |          |      |                                       |
| ③182  | 6201     | 1    | Screw (1/4-28 X 7/8)                          |      |          |      |                                       |
| ③183  | 34583A   | 1    | Bracket-Choke                                 |      |          |      |                                       |
| ③184  | 26756    | 1    | Gasket (Carburetor To Intake Pipe)            |      |          |      |                                       |
| ③185  | 33691    | 1    | Pipe-Intake                                   |      |          |      |                                       |
| ③186  | 32698    | 1    | Link-Governor To Throttle                     |      |          |      |                                       |
| ③200A | 30846    | 1    | Bracket-Adjusting Bolt, Governor Spring       |      |          |      |                                       |
| ③204A | 30845A   | 1    | Bolt-Adjusting, R.P.M.                        |      |          |      |                                       |
| ③209B | 30200    | 1    | Screw (10-24 X 9/16)                          |      |          |      |                                       |
| ③209C | 650518   | 1    | Washer-Lock                                   |      |          |      |                                       |
| ③219  | 34582    | 1    | Rod-Choke                                     |      |          |      |                                       |
| ③222  | 651081   | 2    | Screw (10-32 X 15/32)                         |      |          |      |                                       |
| ③223  | 650664   | 2    | Screw (1/4-20 X 1-19/32)                      |      |          |      |                                       |
| ③224  | 33673A   | 1    | Gasket-Intake                                 |      |          |      |                                       |
| ③253  | 36701    | 1    | Weight-Release, Compression                   |      |          |      |                                       |
| ③254  | 36702    | 1    | Spring-Release, Compression                   |      |          |      |                                       |
| ③260  | 35656A   | 1    | Housing-Blower                                |      |          |      |                                       |
| ③264  | 650561   | 1    | Screw (1/4-20X19/32)                          |      |          |      |                                       |
| ③264A | 650802   | 2    | Screw (1/2-20X5/8)                            |      |          |      |                                       |
| ③274  | 35865    | 1    | Gasket-Exhaust                                |      |          |      |                                       |
| ③275  | 37684    | 1    | Muffler (Includes 274)                        |      |          |      |                                       |
| ③277  | 792005   | 2    | Screw (1/4-20 X 2-1/2)                        |      |          |      |                                       |
| ③285  | 36467B   | 1    | Cup-Starter                                   |      |          |      |                                       |
| ③287  | 650926   | 2    | Screw (8-32 X 21/64)                          |      |          |      |                                       |
| ③290  | 37963    | 1    | Line-Fuel, Low Permeation (16.0)              |      |          |      |                                       |
| ③292  | 26460    | 2    | Clamp-Line, Fuel                              |      |          |      |                                       |
| ③296  | 37768    | 1    | Filter-Fuel (Includes 292)                    |      |          |      |                                       |
| ③310A | 34245    | 1    | Dipstick (Includes 312)                       |      |          |      |                                       |
| ③311  | 27625    | 1    | Plug-Fill, Oil (Includes 312)                 |      |          |      |                                       |
| ③312  | 29673    | 2    | Gasket-Plug, Oil Fill                         |      |          |      |                                       |
| ③313  | 34080    | 1    | Spacer  |      |          |      |                                       |
| ③319  | 650735   | 1    | Screw (10-24 X 3/8)                           |      |          |      |                                       |
| ③335  | 35072B   | 1    | Cover-Carburetor                              |      |          |      |                                       |
| ③338  | 650257   | 1    | Screw (8-32 X 5/16)                           |      |          |      |                                       |
| ③351  | 32180C   | 1    | Line-Primer                                   |      |          |      |                                       |
| ③364  | 33333    | 1    | Bracket-Cover, Carburetor                     |      |          |      |                                       |
| ③364A | 37673    | 1    | Plate-Locking                                 |      |          |      |                                       |
| ③370  | 36695    | 1    | Decal-Tecumseh Logo For Top Of Recoil Starter |      |          |      |                                       |
| ③380  | 640299B  | 1    | Carburetor                                    |      |          |      |                                       |
| ③390  | 590784   | 1    | Starter-Recoil                                |      |          |      |                                       |



## Recoil Starter No. 590784 Tecumseh LH195SP-67530D

| Ref | Part No. | Qty. | Description   |
|-----|----------|------|---|
| ●1  | 590784   | 1    | Starter-Recoil (Winter Pulley, Handle Not Included) |
| ●2  | 590709   | 1    | Pulley And Rewind Spring ASM                        |
| ●3  | 590774   | 1    | Repair Kit  |
| ●5  | 590535   | 1    | Rope-Starter (98 Cut To Length)                     |



## Electric Starter No. 37657 Tecumseh LH195SP-67530D

| Ref | Part No. | Qty. | Description   |
|-----|----------|------|---|
| ①   | 37657    | 1    | Electric Starter Motor ASM (110 Volt)                             |
| ②   | 31749    | 1    | Retainer-Ring   |
| ③   | 33522    | 1    | Retainer-Spring   |
| ④   | 33769    | 1    | Spring-Anti Drift   |
| ⑤A  | 37332    | 1    | Nut And Gear ASM (Includes 2)                                     |
| ⑥   | 35461    | 1    | Drive End Cap ASM (Includes 7)                                    |
| ⑦   | 35450    | 2    | O-Ring  |
| ⑧   | 35912    | 1    | Armature  |
| ⑨   |          | 1    | Housing ASM (Must Purchase Complete Motor)                        |
| ⑩A  | 35452A   | 1    | Brush Card ASM  |
| ⑬   | 590500   | 1    | Washer-Thrust   |
| ⑭   | 33441    | 1    | Screw-Ground  |
| ⑮   | 35453    | 1    | Commutator End Cap ASM  |
| ⑯   | 37680    | 1    | Switch Box ASM  |
| ⑰   | 35911    | 0    | Washer-Thrust   |
| ⑳   | 35462    | 2    | Bolt-Case   |
| ㉑   | 35456    | 1    | Screw-Ground  |
| ㉒   |          | 2    | Screw (O.E.M. Supplied)   |
| ㉓   | 32450B   | 1    | Cord-Extension (10-6) (Ref To Engine Parts List For Mtg Hardware) |

|  |  |  |  |
|--|--|--|--|
|  |  |  |  |
|  |  |  |  |
|  |  |  |  |
|  |  |  |  |

## NOTES

# NOTES

