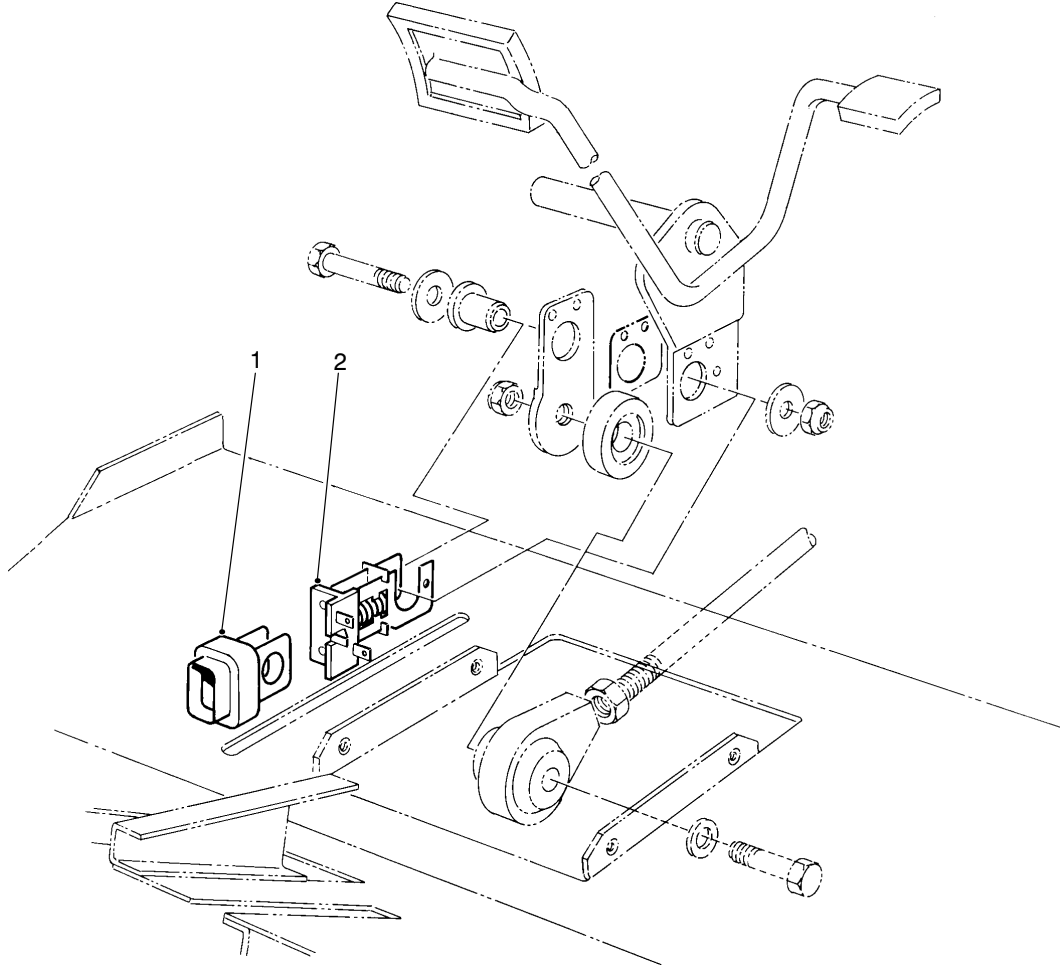




MODEL NO. 03770	<b>PARTS CATALOG</b>
<b>CRUISE CONTROL KIT</b> For Reelmaster 4500D & 450D Serial No. 00001 & Up	



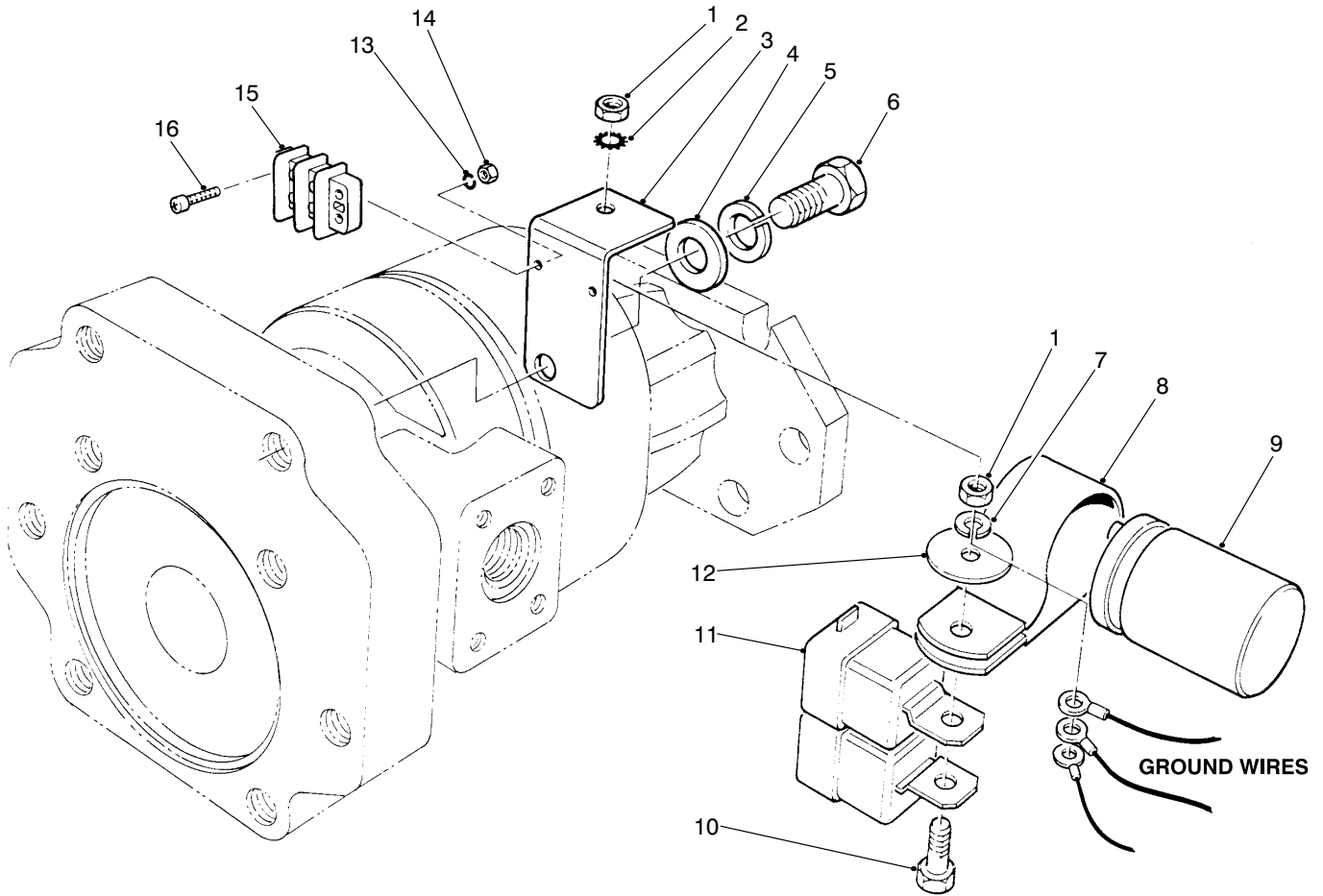
T-1158-1

## TRACTION PEDAL ASSEMBLY

Ref. No.	Part No.	Description	No. Used
1	76-3310	Boot - Switch	1

Ref. No.	Part No.	Description	No. Used
2	76-3480	Switch	1

TPS



T-1321-1

## ELECTRICAL COMPONENTS ASSEMBLY

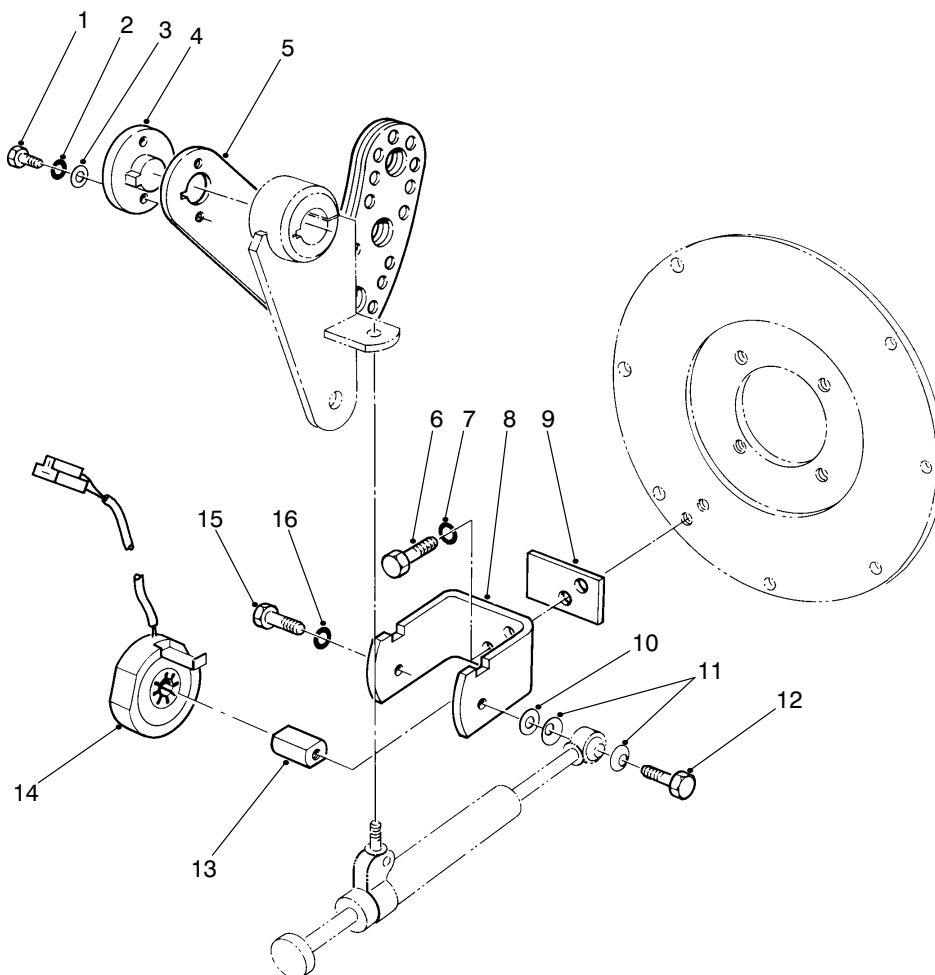
Ref. No.	Part No.	Description	No. Used
1	3217-5	Nut - Hex.	2
2	3255-7	Washer - Lock, Int. Tooth	1
3	82-3140	Bracket	1
4	3256-26	Washer - Flat	1
5	3253-7	Washer - Lock	1
6	325-4	Screw - Cap Hex. Hd.	1
7	3253-3	Washer - Lock	1
8	2412-74	Clamp-R	1
9	37-2690	Capacitor	1
10	321-8	Screw - Cap Hex. Hd.	1
11	63-7590	Relay	2
12	3256-58	Washer - Flat	1
†13	3253-15	Washer - Lock	2
†14	3217-25	Nut - Hex.	2
†15	82-3120	Block - Mounting	1

Ref. No.	Part No.	Description	No. Used
†16	3250-17	Screw - Machine	2
*	76-3400	Switch - Instrument Panel	1
††*	77-4380	Wire - Jumper (Between Switch)	1
††*	77-4390	Wire - Switch (To Power)	1
††*	77-4400	Wire - Ground (Indicator Light)	1
*	44-2210	Light - Indicator (Instrument Panel)	1
*	77-4370	Wiring Harness (Main)	1
†*	82-3130	Wiring Harness (Adapter)	1
†*	82-3010	Wiring Harness (Instrument Panel)	1
*	3290-381	Tie - Cable	6

\*Not Illustrated

†Used on Reelmaster 450D Serial No. 10001 & Up Only.

††Used on Reelmaster 450D Serial No. 00001 Thru 09999 Only.



T-1157-2

## MAGNET HARDWARE INSTALLATION

Ref. No.	Part No.	Description	No. Used
1	48-7640	Screw - Cap, Hex. Hd.	2
2	3253-3	Washer - Lock	2
3	3256-16	Washer - Flat	2
4	76-3380	Collar	1
5	76-3270	Arm Assembly	1
6	3213-1	Screw - Cap Hex. Hd.	2
7	3253-7	Washer - Lock	2
8	76-3360	Bracket	1

Ref. No.	Part No.	Description	No. Used
9†	76-3490	Plate	1
10	48-8030	Washer - Flat	1
11	3290-482	Washer - Belleville	2
12	57-6370	Screw - Cap Hex. Hd.	1
13	76-3390	Pivot	2
14	76-3410	Magnet	2
15	48-7730	Screw - Cap Hex. Hd.	1
16	3253-4	Washer - Lock	1

†Not Used On International Models

