

# Engine Cover Kit

## For Zero-Turn-Radius Riding Mowers

Model No. 79314

### Installation Instructions

# Installation

## Loose Parts

Use the chart below to verify that all parts have been shipped.

Procedure	Description	Qty.	Use
<b>1</b>	No parts required	–	Prepare the machine.
<b>2</b>	Engine cover Retainer strap Panel fastener Interlock spacer	1 2 2 2	Assemble the cover.
<b>3</b>	Cover rod Bracket Shoulder screw	1 2 2	Install the cover rod.
<b>4</b>	No parts required	–	Install the cover.

**Note:** Determine the left and right sides of the machine from the normal operating position.

# 1

## Preparing the Machine

### No Parts Required

### Procedure

1. Park the machine on a level surface and disengage the blade control switch.
2. Move the motion control levers outward to the park position, stop the engine, remove the key, and wait for all moving parts to stop before leaving the operating position.
3. Raise the seat to access the internal components.



**Servicing a machine without allowing sufficient time for the engine and other components to properly cool can result in severe burns and other injuries for you and others around the machine.**

**Allow the engine the necessary amount of time to cool before performing any maintenance on the machine.**

Allow the engine and components to cool before continuing

# 2

## Assemble the Cover

### Parts needed for this procedure:

1	Engine cover
2	Retainer strap
2	Panel fastener
2	Interlock spacer

### Procedure

1. Install the retainer strap to the engine cover as shown in Figure 1. Secure the retainer to the cover using a panel fastener and interlock spacer (Figure 1)

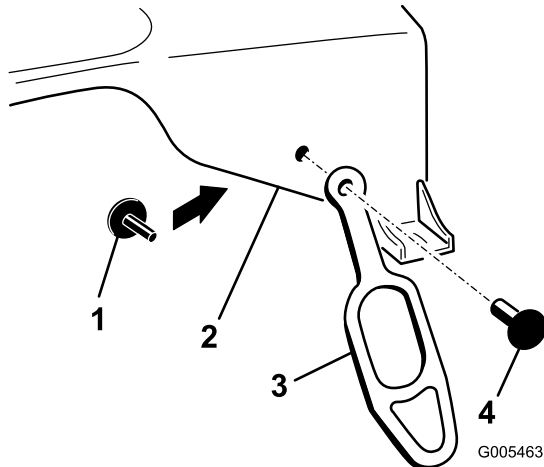


Figure 1

- |                     |                    |
|---------------------|--------------------|
| 1. Interlock spacer | 3. Retainer straps |
| 2. Engine cover     | 4. Panel fastener  |

2. Repeat the procedure for the other side.

# 3

## Installing the Cover Rod

### Parts needed for this procedure:

1	Cover rod
2	Bracket
2	Shoulder screw

### Procedure

1. Locate the square opening on the interior side of the right hand pod. Insert the end of the cover rod into the square opening at an angle as shown in Figure 2. Make sure the rod is orientated so the bends in the rod face forward to accept the retainer straps.

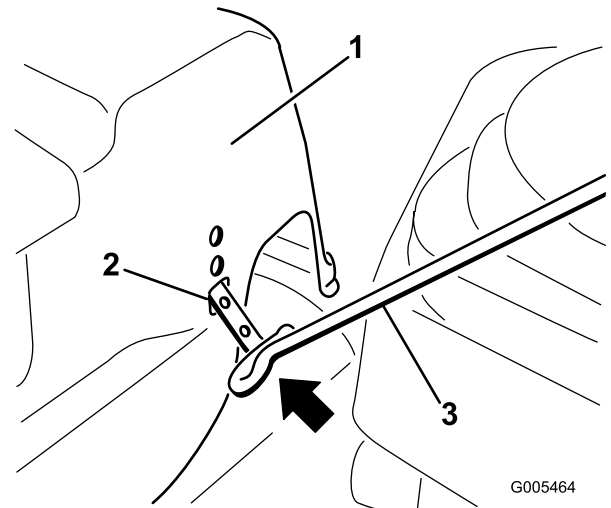
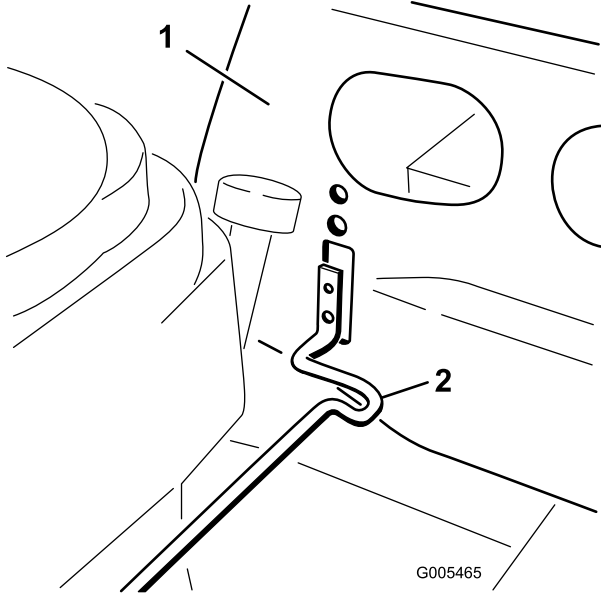


Figure 2

- |                                  |                                    |
|----------------------------------|------------------------------------|
| 1. Right hand pod, interior side | 3. Cover rod, bends facing forward |
| 2. Square opening                |                                    |

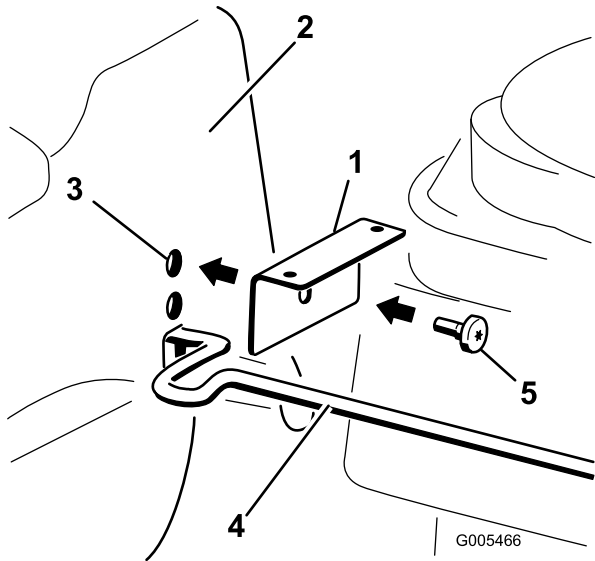
- Pivot the rod down to allow the opposite end to find the slotted opening in the interior side of the left hand pod (Figure 3).



**Figure 3**

- Left hand pod
- Cover rod

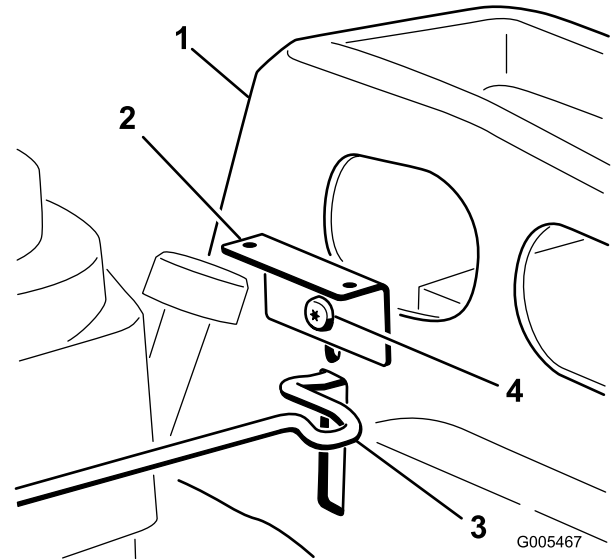
- Install a bracket on the outside of the upper hole in the pod as shown in Figure 4.



**Figure 4**

- Bracket
- Right hand pod
- Upper hole
- Cover rod
- Shoulder screw

- Install the other bracket on the left side pod at the upper hole as done previously. Secure all parts with a shoulder screw (Figure 5).



**Figure 5**

- Left hand pod
- Bracket
- Cover rod
- Shoulder screw, in upper hole

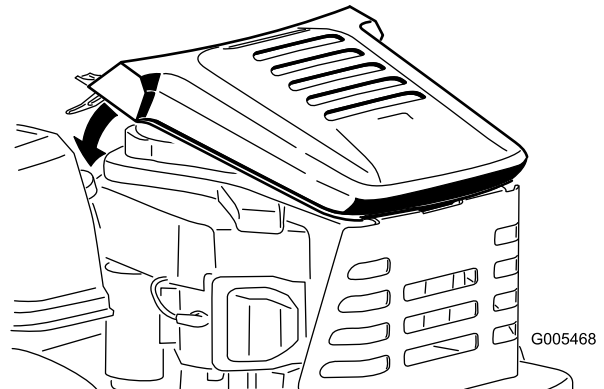
# 4

## Installing the Cover

### No Parts Required

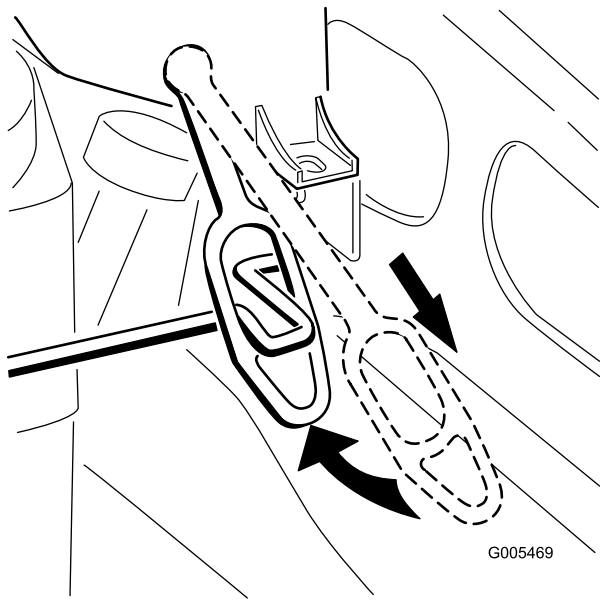
### Procedure

- Install the engine cover assembly to the rear engine guard as shown in Figure 6. Make sure the tab in the rear of the cover mates with the slot in the guard and pivot the cover forward and down.



**Figure 6**

- Pull the retainer straps down and over the forward facing bends in the cover rod (Figure 7) to secure the cover in place.



**Figure 7**

# Maintenance

## Removing and Installing the Engine Cover

1. To remove the engine cover, pull down and forward on the retaining straps to free them from the cover rod (Figure 7). Lift the cover away.
2. To install the engine cover (Figure 6) make sure the tab in the rear of the cover mates with the slot in the guard and pivot the cover forward and down.
3. Pull the retainer straps down and over the forward facing bends in the cover rod (Figure 7) to secure the cover in place.

**Notes:**

**Notes:**

