



**NEW HOLLAND** ..

## **G4020 Zero-Turn-Radius Mower**

**Model No. 725058056 - T07ZU0001 and up.**

**Model No. 94370 - T07ZU0001 and up.**

### **Parts Catalog**

#### **Ordering Replacement Parts**

To order replacement parts, please supply the part number, the quantity, and the description of each part desired.

#### **Understanding Reference Numbers**

Each Identified part in an illustration has a reference number. The reference number for a part also appears in the parts list, along with other information about the part.

This catalog uses two special reference number formats, one to indicate parts in a service assembly and another to indicate the quantity of a given part in an illustration.

#### **Service Assembly Reference Numbers**

Parts in service assemblies have reference numbers in the form a:b. The a represents the reference number of the entire service assembly and the b represents a sequential number unique to each part within the service assembly.

For example, a wheel assembly might be identified by reference number 6, the tire by 6:1, the valve by 6:2, and the wheel by 6:3. When you order the assembly identified by reference number 6, you receive all parts identified by reference numbers 6:1, 6:2, and 6:3. However, you may also order any part individually. Reference numbers of this type appear in illustrations and in part lists.

#### **Reference Numbers Indicating Quantity**

In an illustration, if a reference number indicates more than one part, the reference number has the form nX y. The n represents the quantity of the part, the X is the multiplication symbol, and the y represents the reference number.

For example, in an illustration, the reference number 2X 37 means that two of the parts identified by reference number 37 are indicated.

# Contents

Description	Page	Description	Page
Frame Assembly	..... 3	Oil Pan and Lubrication Assembly Kohler SV610-0020	..... 18
Deck Lift and Seat Support Assembly	..... 4	Head, Valve and Breather Assembly Kohler SV610-0020	..... 19
Seat Assembly	..... 5	Ignition and Electrical Assembly Kohler SV610-0020	..... 20
Control Assembly	..... 6	Blower Housing Assembly Kohler SV610-0020	..... 21
Hydro Drive Assembly	..... 7	Starter Assembly Kohler SV610-0020	..... 22
RH Hydro No. 110-6771 Assembly	..... 8	Fuel System Assembly Kohler SV610-0020	..... 23
LH Hydro No. 110-6770 Assembly	..... 9	Engine Control Assembly Kohler SV610-0020	..... 24
Engine and Clutch Assembly	..... 10	Air Intake and Filtration Assembly Kohler SV610-0020	..... 25
Styling and Fuel System Assembly	..... 11	Exhaust Stud, Gasket and Decal Assembly Kohler SV610-0020	..... 26
50in Deck Assembly	..... 12	Attachments and Accessories List	..... 27
50in Deck Decal Assembly	..... 13		
50in Deck Spindle and Belt Drive Assembly	..... 14		
Electrical Assembly	..... 15		
Crankshaft Assembly Kohler SV610-0020	..... 16		
Crankcase Assembly Kohler SV610-0020	..... 17		

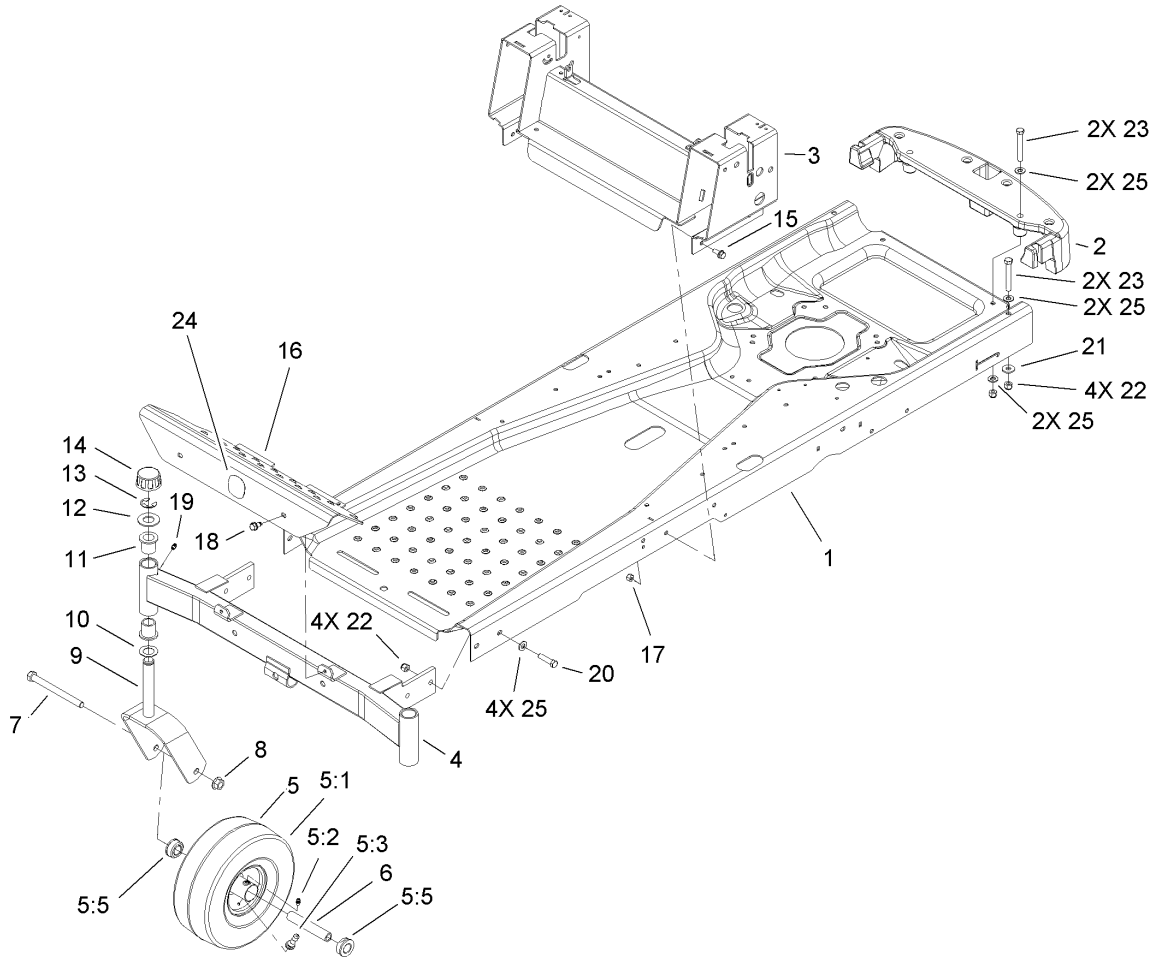
## Part Description Abbreviations

Part descriptions in this catalog may include the following abbreviations.

AR. .... as required	HYD. .... hydraulic
ASM. .... assembly	LH. .... left hand
BBC. .... blade brake clutch	NI. .... nylon insert
CARR. .... carriage	NPTF. .... national pipe thread fine
DEG. .... degrees	PFH. .... phillips flat head
EXT. .... external	PPH. .... phillips pan head
FH. .... flat head	PPHTF. .... phillips pan head thread forming
GA. .... gauge	PRH. .... phillips round head
HD. .... heavy-duty	PTH. .... phillips truss head
HF. .... hex flange	PTO. .... power-take-off
HH. .... hex head	RH. .... right hand
HHF. .... hex head flange	ROPS. .... roll-over protection system
HHFTF. .... hex head flange thread forming	SFH. .... slotted fillister head
HJ. .... hex jam	SHH. .... slotted hex head
HLH. .... hex lag head	SHWH. .... slotted hex washer head
HOC. .... height-of-cut	SPH. .... slotted pan head
HSBH. .... hex socket button head	SQH. .... square head
HSFH. .... hex socket flat head	SRH. .... slotted round head
HSH. .... hex socket head	STD. .... standard
HWH. .... hex washer head	TAP. .... self tapping
HWHTF. .... hex washer head thread forming	TTH. .... torx truss head

## Footnotes

- ❶ Not illustrated
- ❷ Not serviced separately
- ❸ Obtain from your local Kohler dealer

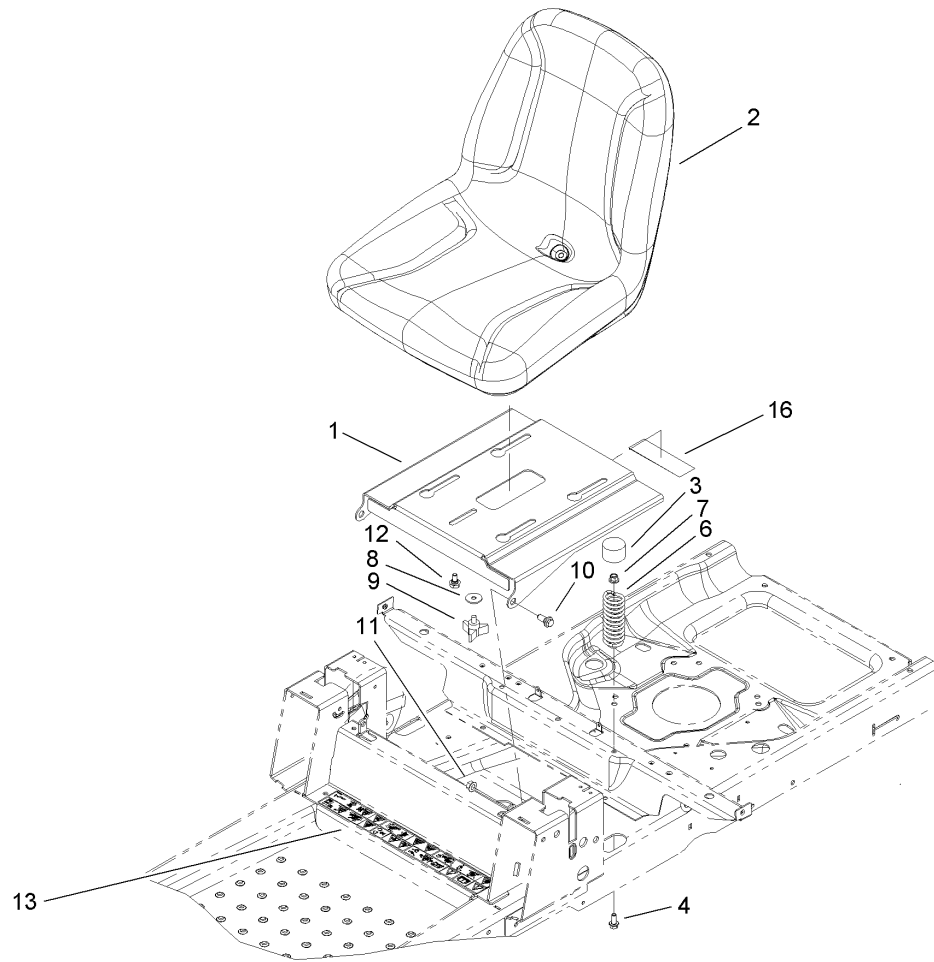


### Frame Assembly

Ref	Part No.	Qty.	Description
1	110-6780-04	1	Frame
2	110-6899-03	1	Bumper-Rear
3	110-6872-03	1	Seat Control ASM
4	108-7882-04	1	Front Axle ASM
5	112-9790	2	Castor Wheel ASM
5:1	110-6791	1	Tire-Smooth
5:2	302-5	1	Fitting-Grease
5:3	232-27	1	Stem-Valve
5:5	114-1640	2	Bushing-Flange
5:99	93-4244	1	Tube-Inner (W/Valve)
6	104-3667	2	Spanner-Wheel
7	325-22	2	Screw-HH
8	32128-23	2	Nut-HF
9	108-7851-04	2	Caster Fork ASM
10	110-6767	2	Washer-Thrust
11	1-303514	4	Bearing-Flanged
12	104-8076	2	Washer
13	32151-103	2	Ring-Snap
14	61-9780	2	Cap-Hub
15	3234-47	7	Screw-HHF
16	108-7855-03	1	Footrest
17	3296-29	7	Nut-Lock, NI
18	32104-32	2	Screw-HWH
19	302-5	2	Fitting-Grease

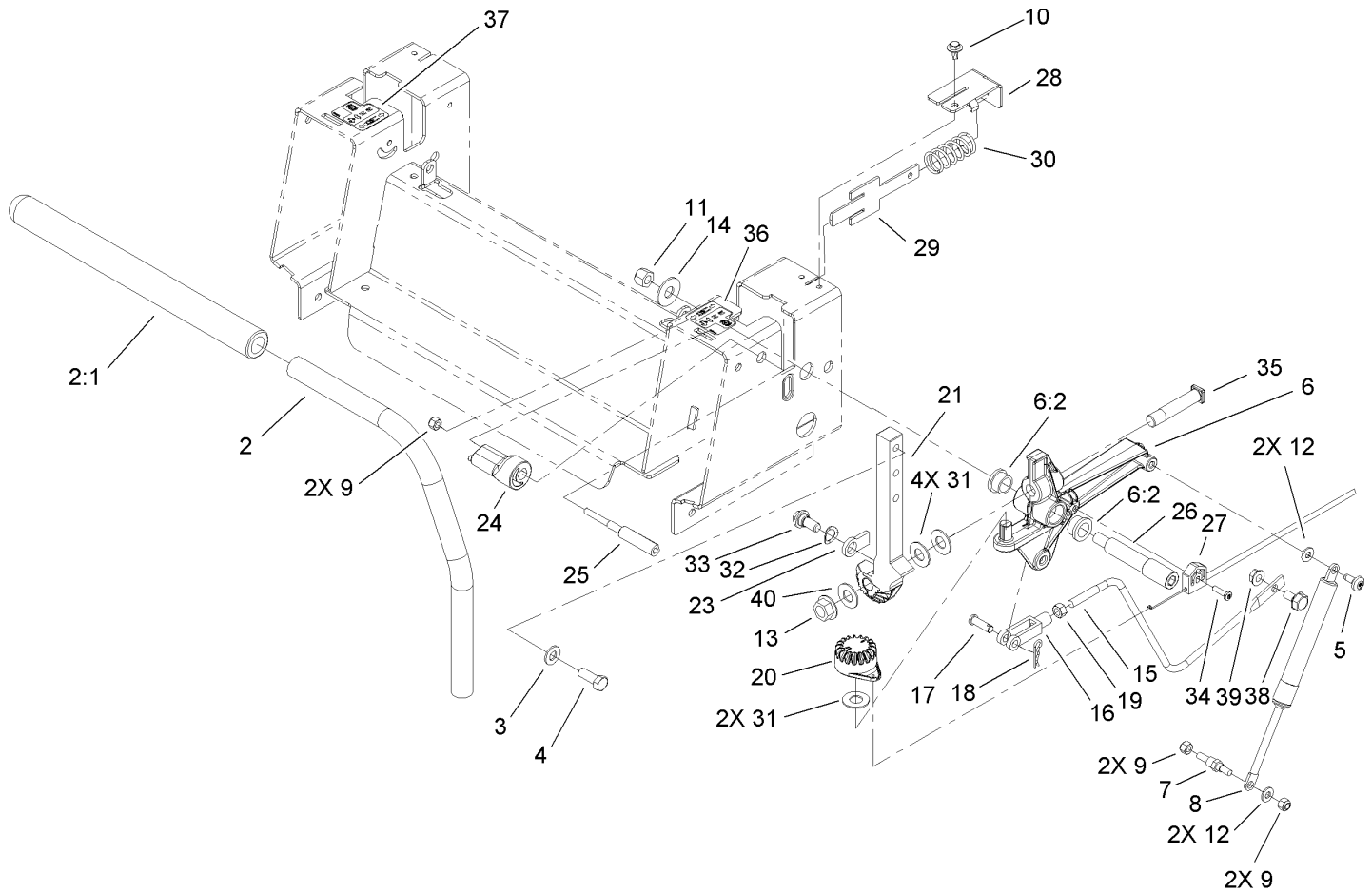
Ref	Part No.	Qty.	Description
20	323-8	4	Screw-HH
21	80-6990	2	Washer-Hardened
22	3296-39	8	Nut-Lock, NI
23	323-13	4	Screw-HH
24	114-1611	1	Emblem-Logo
25	3256-24	10	Washer-Flat





## Seat Assembly

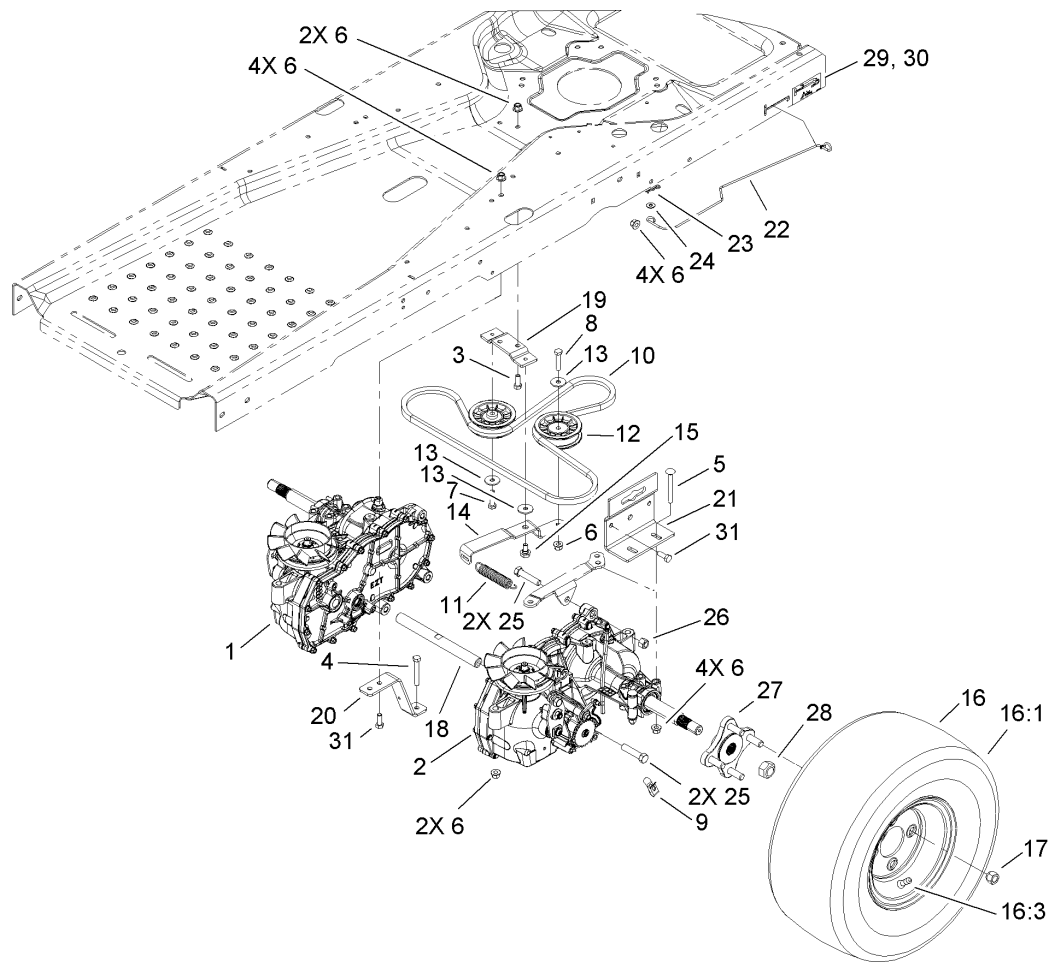
Ref	Part No.	Qty.	Description				
1	110-6679-03	1	Base-Seat				
2	110-6773	1	Seat-18 Inch				
3	701178	2	Cap-Protector				
4	3234-47	2	Screw-HHF				
6	92-7054	2	Spring-Compression				
7	3296-58	2	Nut-Lock, NI				
8	5-4460	1	Washer-Pivot				
9	92-9674	1	Knob				
10	94-7582	2	Bolt-Shoulder				
11	32128-21	2	Nut-HF				
12	37-8771	4	Bolt-Shoulder				
13	110-6825	1	Decal-Danger				
16	106-8717	1	Decal-Service				



## Control Assembly

Ref	Part No.	Qty.	Description
1	110-6814	1	RH Handle ASM
1:1	108-6187	1	Grip
2	110-6815	1	LH Handle ASM
2:1	108-6187	1	Grip
3	3256-24	4	Washer-Flat
4	323-6	4	Screw-HH
5	112-4004	2	Screw-Shoulder
6	110-6828	2	Activator Arm ASM
6:2	105-3455	2	Bushing
7	110-6810	2	Stud-Damper
8	103-2913	2	Damper-Control, Motion
9	3296-42	6	Nut-Lock, NI
10	46-8560	2	Screw-HHF
11	3296-48	2	Nut-Lock, NI
12	3256-22	4	Washer-Flat
13	32128-23	2	Nut-HF
14	3256-5	2	Washer-Flat
15	110-6693	2	Link-Hydro
16	1-303105	2	Yoke-Adjustable
17	1-808280	2	Pin-Clevis
18	1-806003	2	Pin-Hair
19	3220-2	2	Nut-Jam
20	110-6845	2	Gear-Control
21	110-6783	1	Arm-Actuator, LH

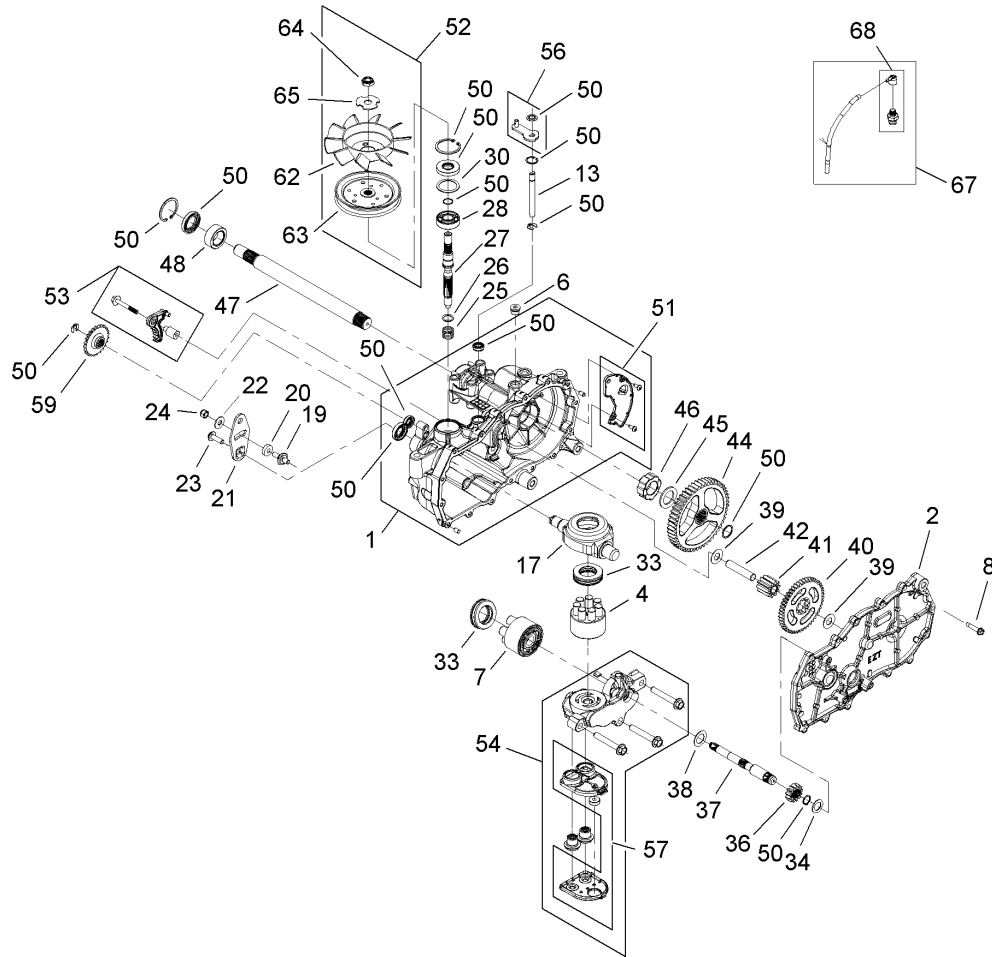
Ref	Part No.	Qty.	Description
22	110-6782	1	Arm-Actuator, RH
23	110-6856	2	Tab-Stop
24	110-6873	2	Eccentric
25	110-6874	2	Screw-Eccentric
26	110-6875	2	Bolt-Shoulder
27	110-6858	2	Cable-Brake, Parking
28	110-6751	2	Bracket-Return
29	110-6750	2	Plate-Return
30	110-6752	2	Spring
31	110-6894	6	Washer-Pivot
32	3290-221	2	Washer-Spring
33	94-7582	2	Bolt-Shoulder
34	110-0863	2	Screw-Torx
35	110-6784	2	Bolt-Shoulder
36	112-9754	1	Decal-Lever, Control (LH)
37	112-9755	1	Decal-Lever, Control (RH)
38	37-8771	2	Bolt-Shoulder
39	3296-58	2	Nut-Lock, NI
40	112-9771	2	Washer-Teflon



## Hydro Drive Assembly

Ref	Part No.	Qty.	Description
1	110-6771	1	Hydro-RH
2	110-6770	1	Hydro-LH
3	322-4	2	Screw-HH
4	322-11	2	Screw-HH
5	3230-9	4	Screw-CARR
6	3296-58	17	Nut-Lock, NI
7	322-6	1	Screw-HH
8	322-7	1	Screw-HH
9	110-6677	2	Clip-Spring
10	110-6774	1	V-Belt
11	63-1590	1	Spring-Idler
12	110-6775	2	Pulley-Idler
13	5-4460	3	Washer-Pivot
14	110-1925	1	Arm-Idler
15	37-8771	1	Bolt-Shoulder
16	112-9792	2	Wheel And Tire ASM
16:1	110-6887	1	Tire
16:3	232-27	1	Stem-Valve
●16:99	232-37	1	Tube
17	242-50	8	Nut-Lug
18	110-6807	1	Shaft-Cross
19	110-1926	1	Plate-Pivot
20	110-6806-03	2	Strap-Torque
21	110-6878-03	2	Support-Hydro

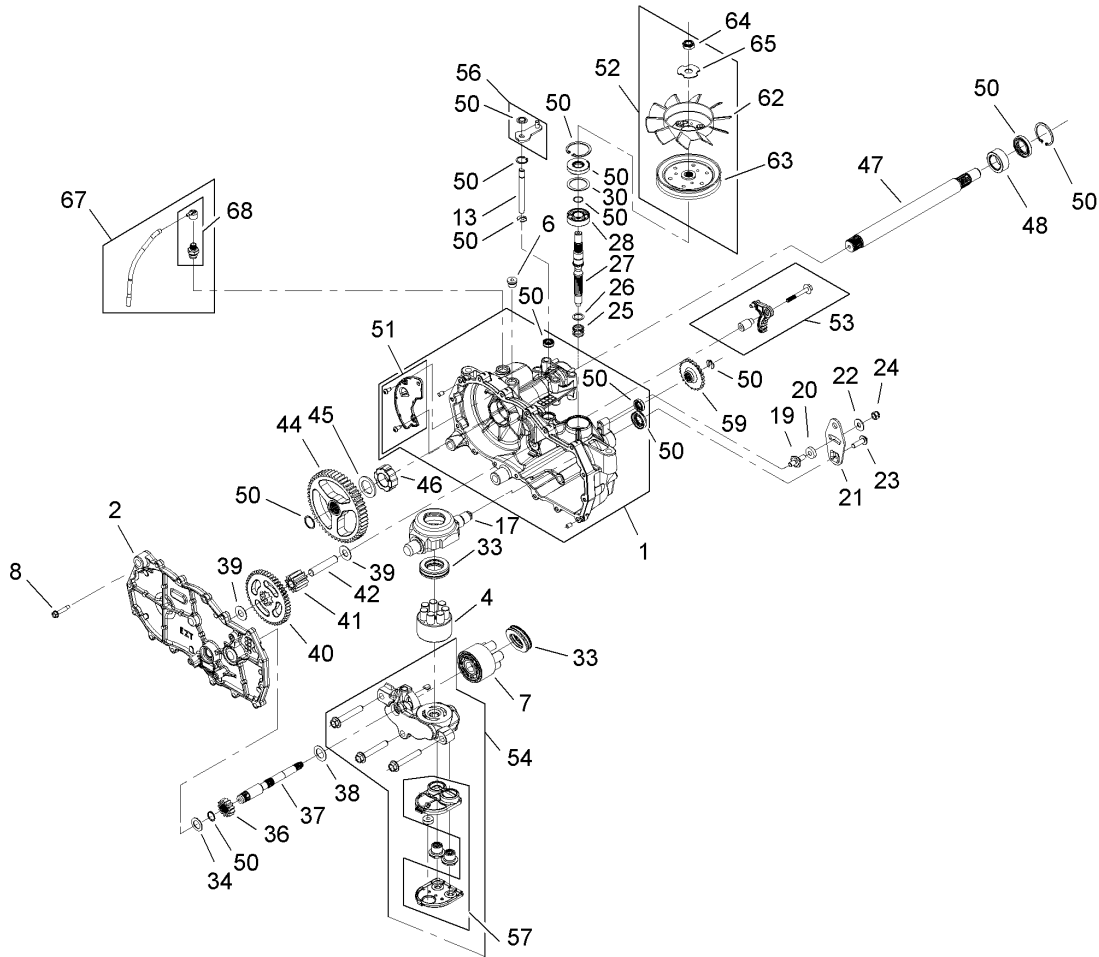
Ref	Part No.	Qty.	Description
22	110-6787	2	Rod-Bypass
23	1-806003	2	Pin-Hair
24	3256-22	2	Washer-Flat
25	324-8	4	Screw-HH
26	3296-48	2	Nut-Lock, NI
27	112-3979	2	Hub ASM
28	112-3982	2	Nut-Lock
29	110-6680	1	Decal-Transport, LH
30	110-6690	1	Decal-Transport, RH
31	3234-47	8	Screw-HHF



## RH Hydro No. 110-6771 Assembly

Ref	Part No.	Qty.	Description
1	114-1630	1	RH Main Housing ASM
2	114-1631	1	RH Side ASM
4	110-8561	1	Pump Block ASM
6	112-9850	1	Plug
7	103-2666	1	Cylinder Block Kit
8	104-5305	16	Screw-HHF
13	106-8678	1	Rod-Bypass
17	104-5304	1	Swashplate-Trunnion
19	104-2116	1	Stud
20	112-9853	1	Puck-Friction
21	106-8747	1	Arm-Control
22	5-4460	1	Washer-Pivot
23	107-2488	1	Screw
24	105-1872	1	Nut
25	94-1936	1	Spring-Block
26	94-1937	1	Washer-Block, Thrust
27	104-5306	1	Shaft-Input
28	104-5311	1	Bearing-Ball
30	104-5308	1	Spacer
33	94-6922	2	Bearing-Thrust
34	104-5339	1	Washer-Flat
36	104-5316	1	Gear-Pinnion, 13T
37	114-1632	1	Shaft, Motor
38	104-5360	1	Washer-Shaft, Motor

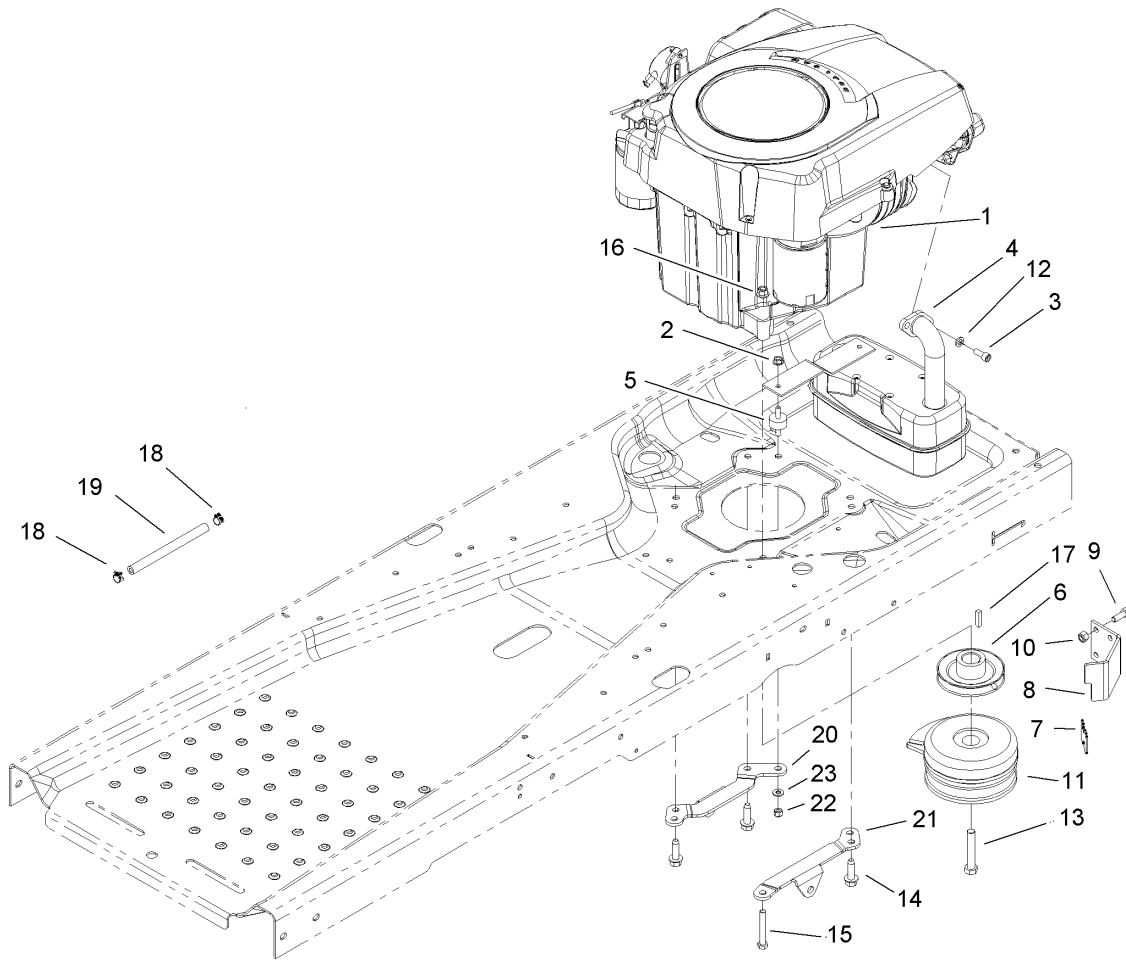
Ref	Part No.	Qty.	Description
39	94-1933	2	Washer
40	104-5317	1	Gear
41	104-5318	1	Gear-Jackshaft, 10T
42	104-5329	1	Pin-Jackshaft
44	112-9855	1	Gear-52T Bull
45	112-9856	1	Washer
46	112-9857	1	Bearing-Sleeve
47	112-9858	1	Shaft-Axle
48	112-9859	1	Bushing-Axle
50	106-8686	1	Seal Kit
51	106-8697	1	RH Expansion Plate Kit
52	106-8698	1	Fan Pulley Kit
53	114-1633	1	Brake Arm Kit
54	112-9861	1	RH Center Section Filter Kit
55	112-9863	1	Tube-Sealant
56	107-2489	1	Bypass Arm Kit
57	114-1634	1	Filter Kit
59	106-8694	1	Disc-Brake, Cog
62	110-8566	1	Fan-6 Inch, 10 Blade
63	104-1754	1	Pulley
64	105-1875	1	Nut-Lock
65	107-9122	1	Washer-Slotted
67	112-9866	1	Breather Kit
68	114-1635	1	Breather ASM



## LH Hydro No. 110-6770 Assembly

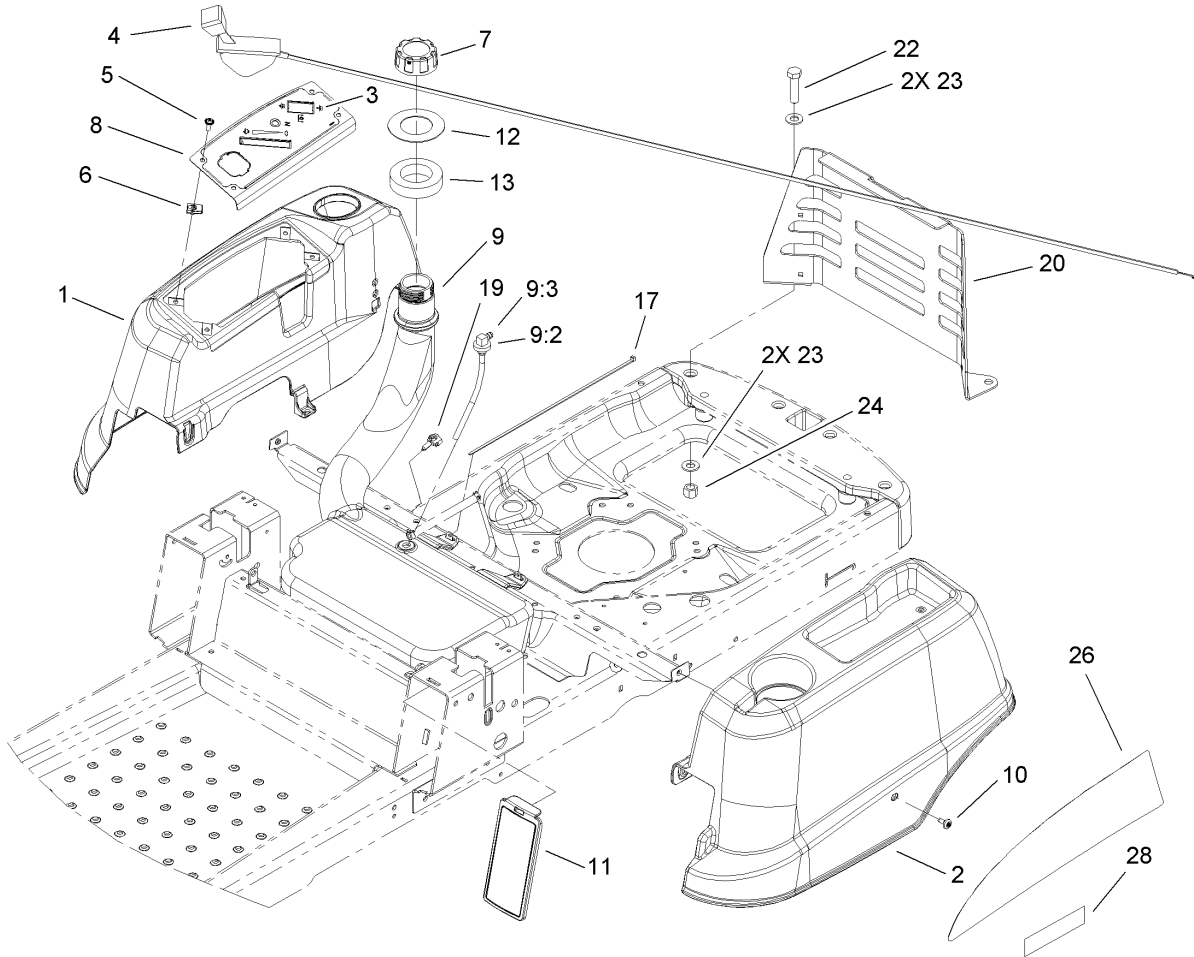
Ref	Part No.	Qty.	Description
1	114-1636	1	LH Main Housing ASM
2	114-1637	1	LH Side ASM
4	110-8561	1	Pump Block ASM
6	112-9850	1	Plug
7	103-2666	1	Cylinder Block Kit
8	104-5305	16	Screw-HHF
13	106-8678	1	Rod-Bypass
17	104-5304	1	Swashplate-Trunnion
19	104-2116	1	Stud
20	112-9853	1	Puck-Friction
21	106-8747	1	Arm-Control
22	5-4460	1	Washer-Pivot
23	107-2488	1	Screw
24	105-1872	1	Nut
25	94-1936	1	Spring-Block
26	94-1937	1	Washer-Block, Thrust
27	104-5306	1	Shaft-Input
28	104-5311	1	Bearing-Ball
30	104-5308	1	Spacer
33	94-6922	2	Bearing-Thrust
34	104-5339	1	Washer-Flat
36	104-5316	1	Gear-Pinnion, 13T
37	114-1632	1	Shaft, Motor
38	104-5360	1	Washer-Shaft, Motor

Ref	Part No.	Qty.	Description
39	94-1933	2	Washer
40	104-5317	1	Gear
41	104-5318	1	Gear-Jackshaft, 10T
42	104-5329	1	Pin-Jackshaft
44	112-9855	1	Gear-52T Bull
45	112-9856	1	Washer
46	112-9857	1	Bearing-Sleeve
47	112-9858	1	Shaft-Axle
48	112-9859	1	Bushing-Axle
50	106-8686	1	Seal Kit
51	106-8687	1	LH Expansion Plate Kit
52	106-8698	1	Fan Pulley Kit
53	114-1633	1	Brake Arm Kit
54	112-9862	1	LH Center Section Filter Kit
55	112-9863	1	Tube-Sealant
56	107-2489	1	Bypass Arm Kit
57	114-1634	1	Filter Kit
59	106-8694	1	Disc-Brake, Cog
62	110-8566	1	Fan-6 Inch, 10 Blade
63	104-1754	1	Pulley
64	105-1875	1	Nut-Lock
65	107-9122	1	Washer-Slotted
67	112-9866	1	Breather Kit
68	114-1635	1	Breather ASM



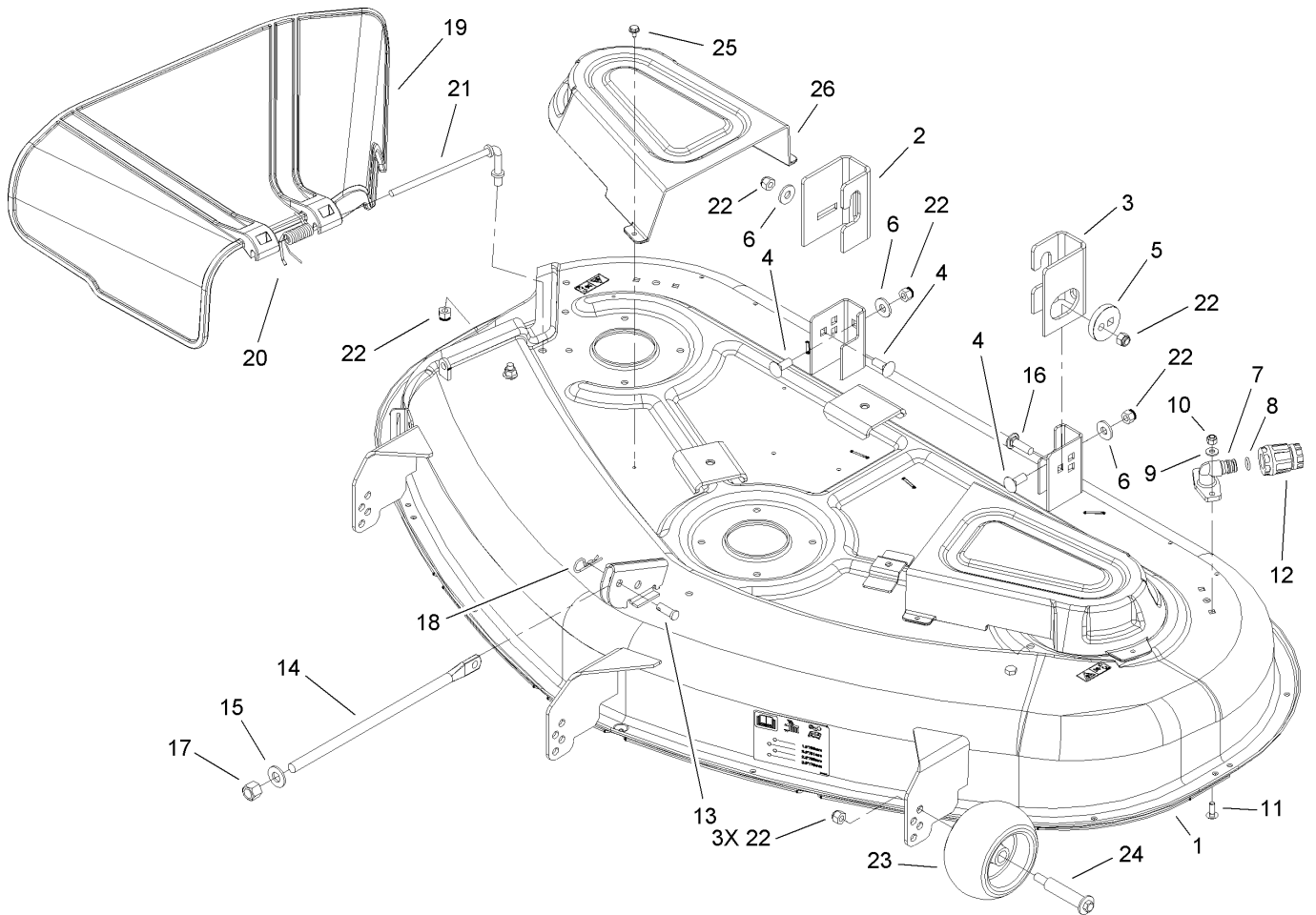
## Engine and Clutch Assembly

Ref	Part No.	Qty.	Description
1		1	Engine-Kohler, Sv610-0020
2	32128-33	1	Nut-HF
3	3274-10	2	Screw-HSH
4	108-7829	1	Muffler-Kohler
5	112-3976	1	Isolator
6	110-6758	1	Pulley-Engine
7	112-3974	1	Bumper
8	110-6896	1	Stop-Clutch
9	322-4	2	Screw-HH
10	3296-29	2	Nut-Lock, NI
11	110-6766	1	Clutch-Electric, PTO
12	3253-4	2	Washer-Lock
13	3212-11	1	Screw-HH
14	32144-109	3	Screw
15	322-11	1	Screw-HH
16	3296-58	1	Nut-Lock, NI
17	5-7280	1	Key
18	2412-98	2	Clamp
19	109-0306	1	Hose-Fuel
20	110-6798	1	Support-Hydro, RH
21	110-6799	1	Support-Hydro, LH
22	3296-42	1	Nut-Lock, NI
23	3256-22	1	Washer-Flat

## Styling and Fuel System Assembly

Ref	Part No.	Qty.	Description
1	112-9773	1	Pod-RH
2	112-9772	1	Pod-LH
3	112-9782	1	Decal-Control Panel
4	107-7331	1	Cable-Throttle
5	3258-166	4	Screw-PRH
6	107069	4	Clip
7	93-7198	1	Gas Cap ASM
8	110-1927-03	1	Panel-Control
9	110-6890	1	Fuel Tank ASM
9:2	46-6560	1	Bushing
9:3	95-3970	1	Fitting-90 Degree
10	112-4004	6	Screw-Shoulder
11	110-6786	2	Cover-Control
12	112-9760	1	Washer-Rubber
13	55-9310	1	Seal-Foam
17	100-9064	1	Tie-Cable
19	32180-037	1	Clip-Harness
20	110-6685-03	1	Support-Cover, Rear
22	325-8	2	Screw-HH
23	3256-26	4	Washer-Flat
24	3296-23	2	Nut-Lock, NI
26	114-1612	1	Decal-Pod, LH
27	114-1613	1	Decal-Pod, RH
28	114-1615	2	Decal

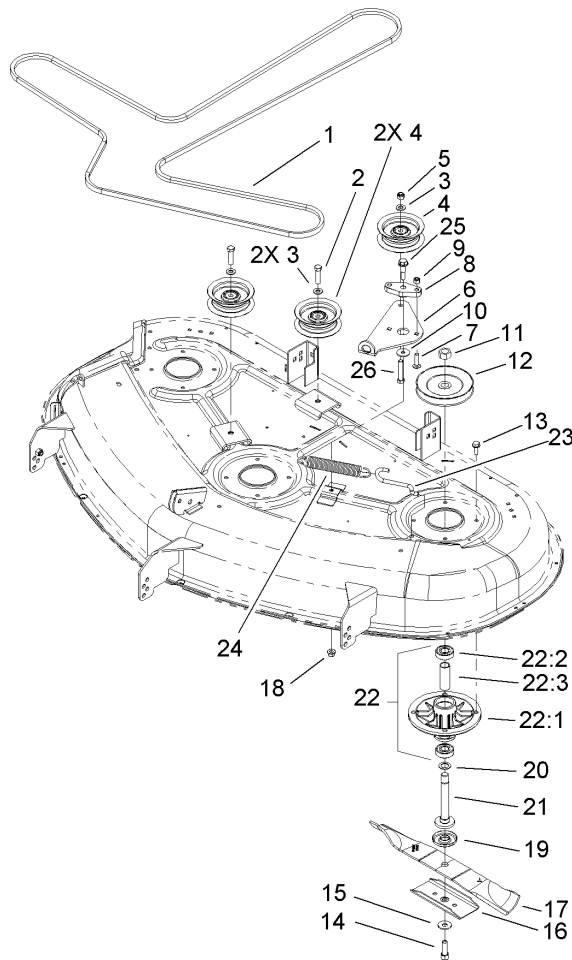



### 50in Deck Assembly

Ref	Part No.	Qty.	Description
1	112-9798	1	50 Inch Deck ASM
2	108-7836	1	Bracket-Hanger, Right Rear
3	108-7838	1	Bracket-Hanger, Left Rear
4	3231-2	3	Screw-CARR
5	112-3980	1	Eccentric
6	80-6990	3	Washer-Hardened
7	95-2747	2	Fitting-Washout
8	46-6290	2	O-Ring
9	3256-22	4	Washer-Flat
10	3296-42	4	Nut-Lock, NI
11	3229-1	4	Screw-CARR
12	95-3270	1	Connector-Hose
13	1-808284	1	Pin-Clevis
14	108-7847	1	Rod-Lift
15	87-7270	1	Washer-Thrust
16	3231-28	1	Screw-CARR
17	3296-23	1	Nut-Lock, NI
18	9335054	1	Pin-Hair
19	108-7895	1	Deflector-50 Inch
20	110-6694	1	Spring-Torsion
21	112-3950	1	Rod-Pivot
22	3296-39	8	Nut-Lock, NI
23	1-603299	3	Roller-Scalp, Anti
24	112-3977	3	Bolt-Shoulder

Ref	Part No.	Qty.	Description
25	32104-76	6	Screw
26	108-7890	2	Cover-Belt

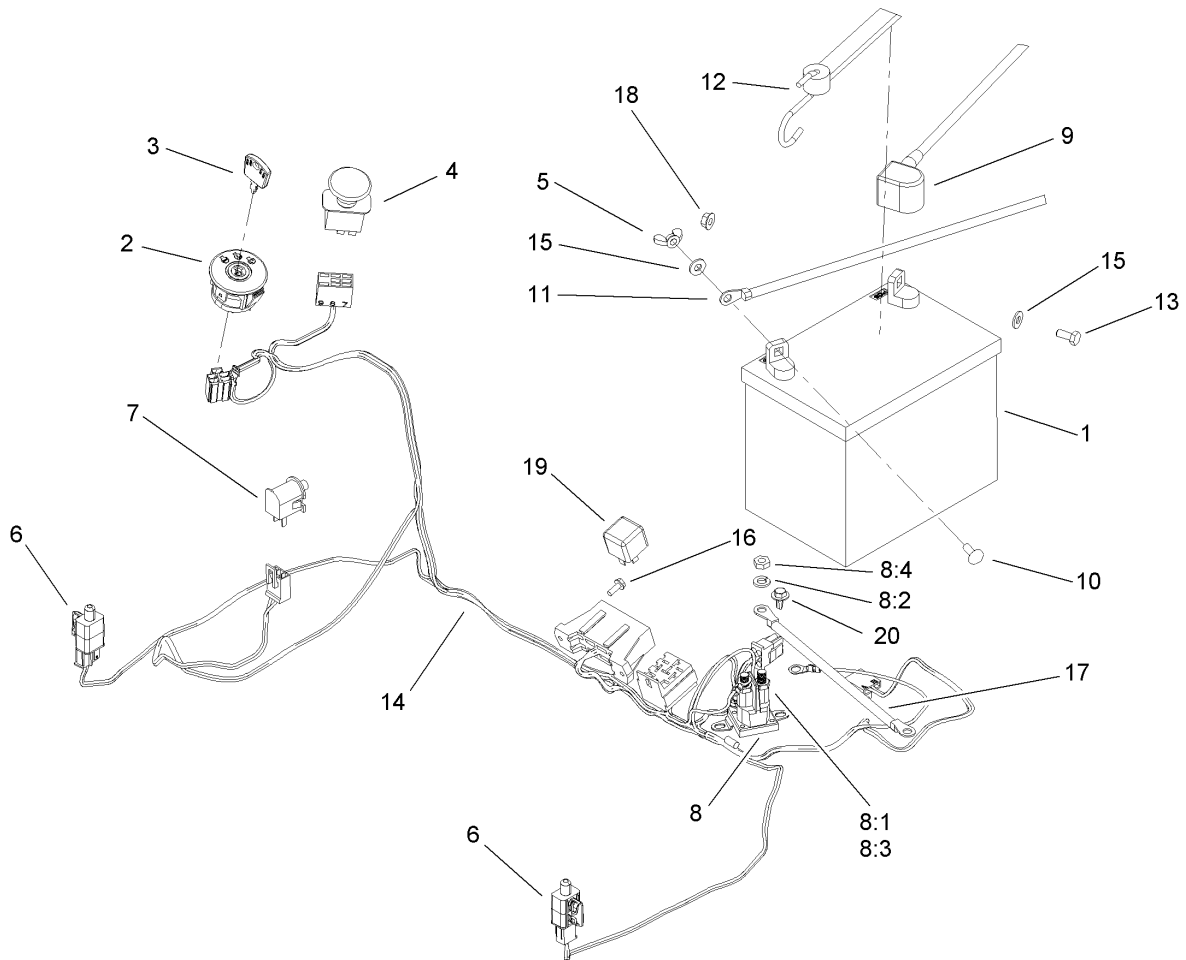




## 50in Deck Spindle and Belt Drive Assembly

Ref	Part No.	Qty.	Description
1	110-6892	1	V-Belt
2	323-8	2	Screw-HH
3	3256-24	3	Washer-Flat
4	106-2175	3	Pulley-Idler, Flat
5	3296-39	1	Nut-Lock, NI
6	110-6867-03	1	Arm-Idler
7	3230-3	2	Screw-CARR
8	108-7881	1	Bushing-Pivot
9	3296-29	2	Nut-Lock, NI
10	5-4460	1	Washer-Pivot
11	3219-6	3	Nut-Hex
12	110-6865	3	Pulley
13	32144-41	12	Screw-Taptite
14	26-0671	3	Screw-Blade
15	3290-465	3	Washer-Belleville
16	106-2248-03	3	Stiffener-Blade
17	110-6837-03	3	Blade-17.5 Inch, High Lift
18	3296-58	1	Nut-Lock, NI
19	80-4360	3	Shield-Bearing
20	80-4380	3	Spacer
21	110-6866	3	Shaft-Spindle
22		3	Spindle ASM
22:1	88-4510	1	Housing-Spindle
22:2	100-1048	2	Bearing-Ball

Ref	Part No.	Qty.	Description
22:3	62-3661	1	Spacer-Bearing
23	112-3973	1	Hook-Return, Spring
24	1-603414	1	Spring-Extension
25	110-6897	1	Bolt-Shoulder
26	323-10	1	Screw-HH

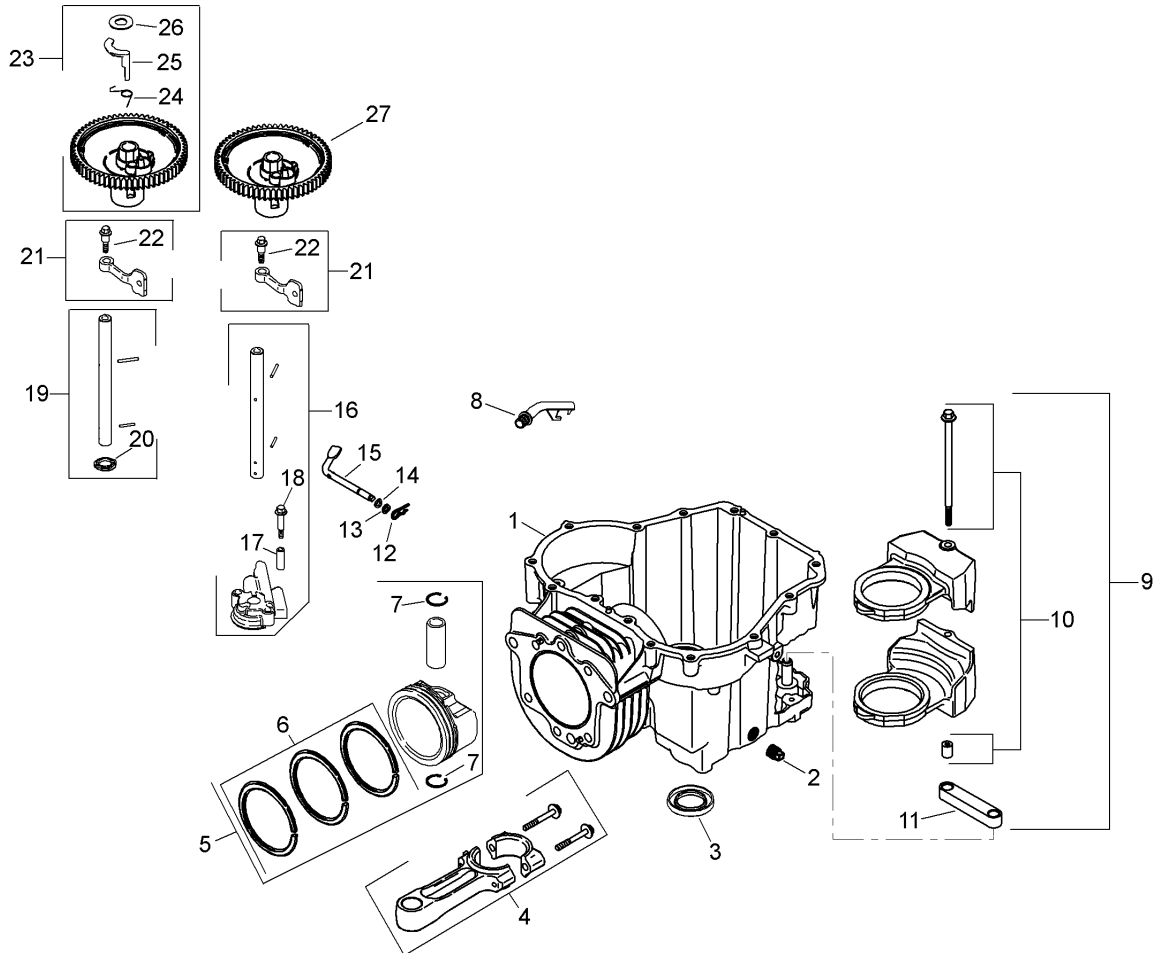


## Electrical Assembly

Ref	Part No.	Qty.	Description
1	104-2493	1	Battery
2	110-6764	1	Switch-Ignition
3	700918	1	Key
4	93-9999	1	Switch-PTO
5	32103-22	1	Nut-Wing
6	110-6765	2	Switch-Single Pole No
7	82-2190	1	Switch-Bail
8	1-513075	1	Switch-Solenoid
8:1	3253-17	2	Washer-Lock
8:2	3253-4	2	Washer-Lock
8:3	3219-14	2	Nut-Hex
8:4	3220-2	2	Nut-Jam
9	110-6794	1	Cable-Battery, Red
10	3229-1	1	Screw-CARR
11	110-6793	1	Cable-Battery, Black
12	104-2466	1	Holddown-Battery
13	321-3	1	Screw-HH
14	110-1923	1	Harness-Wire
15	3256-22	2	Washer-Flat
16	32144-1	3	Screw-Taptite
17	110-6792	1	Cable-Battery, Red
18	32128-33	2	Nut-HF
19	98-7249	1	Relay
20	46-8560	2	Screw-HHF

Ref	Part No.	Qty.	Description
●24	614249	1	Strap-Tie

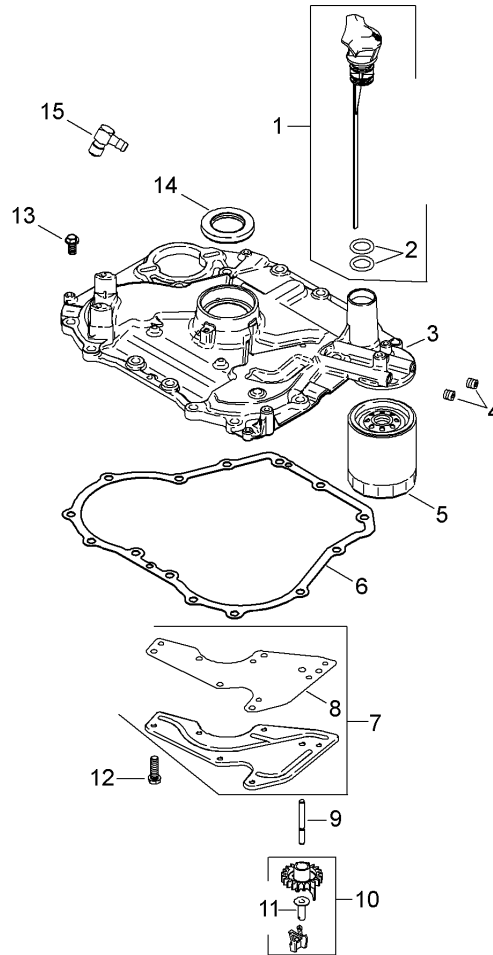




## Crankcase Assembly Kohler SV610-0020

Ref	Part No.	Qty.	Description
❶		1	Crankcase (Use: Short Block 22 522 02)
❷	25 139 57-S	1	Plug-Square Head Solid (.38)
❸	20 032 01-S	1	Seal-Oil
❹	20 067 04-S	1	Rod-Connecting
❺	20 874 01-S	1	Piston W/Ring Set (94Mm) (Includes 6,7)
❻	20 108 01-S	1	Ring Set (94 Mm)
❼	20 018 04-S	2	Retainer-Pin, Piston
❽	20 123 02-S	1	Tube-Back, Drain
❾	20 755 04-S	2	Balance Weight Kit (Includes 10,11)
❿	20 380 16-S	1	Locating Pin Kit
⓫	20 186 02-S	1	Linkage-Weight, Balance
⓬	12 154 05-S	1	Clip-Pin, Hitch
⓭	M-631015-S	1	Washer-Flat (6Mm)
⓮	X-25-102-S	1	Washer-Flat (1/4)
⓯	20 144 02-S	1	Shaft-Cross, Governor
⓰	20 393 02-S	1	Oil Pump ASM (Includes 17, 18)
⓱	20 112 02-S	2	Spacer-Screw, Oil Pump
⓲	20 086 13-S	2	Screw-Pump, Oil
⓳	20 144 06-S	1	Exhaust Camshaft Center ASM (Includes 20)
⓴	20 468 08-S	1	Washer-Thrust

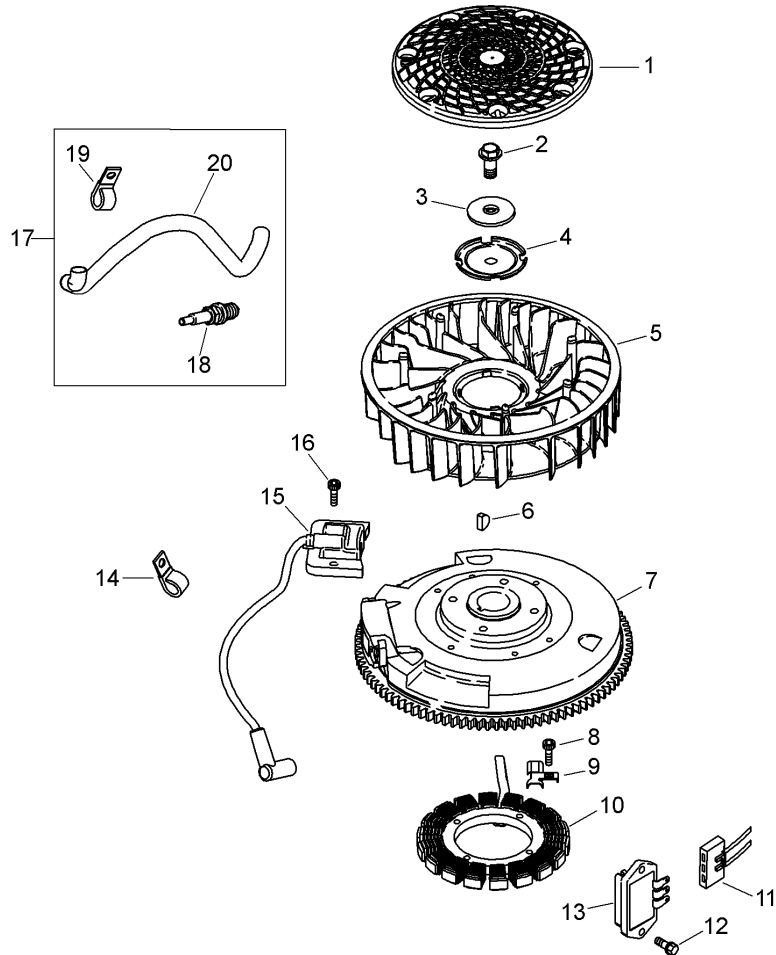
Ref	Part No.	Qty.	Description
⓴	20 090 01-S	2	Cam Lever Assembly (Includes 22)
⓵	20 086 06-S	2	Bolt-Shoulder (M5X0.8X36)
⓶	20 010 06-S	1	Cam Gear ASM (Exhaust) (Includes 24-26)
⓷	20 089 06-S	1	Spring-A C R
⓸	20 044 16-S	1	Weight-A C R
⓹	20 468 03-S	1	Washer-Thrust, A C R
⓺	20 010 05-S	1	Cam Gear Assembly (Intake)



## Oil Pan and Lubrication Assembly Kohler SV610-0020

Ref	Part No.	Qty.	Description				
1	20 040 02-S	1	Dipstick Blade Kit (Yellow) (Includes 2)				
2	20 153 01-S	2	O Ring-Dipstick				
3	20 009 10-S	1	Closure Plate ASM (Includes 6, 15)				
4	25 139 60-S	2	Plug-Hex, Countersunk (.125)				
5	12 050 01-S	1	Filter-Oil				
6	20 041 01-S	1	Gasket-Plate, Closure				
7	20 096 02-S	1	Oil Passage Cover Kit (Includes 8)				
8	20 041 02-S	1	Gasket-Passage, Oil				
9	20 144 03-S	1	Shaft-Gear, Governor				
10	20 310 03-S	1	Governor Gear ASM (Includes 11)				
11	12 380 01-S	1	Pin-Regulating, Governor				
12	M-545013-S	6	Screw-Flange, Hex (M5X0.8X13)				
13	M-851030-S	14	Screw-Flange, Hex (M8X1.25X30)				
14	20 032 01-S	1	Seal-Oil				
15	25 155 02-S	1	Connector-Hose, 90 DEG				

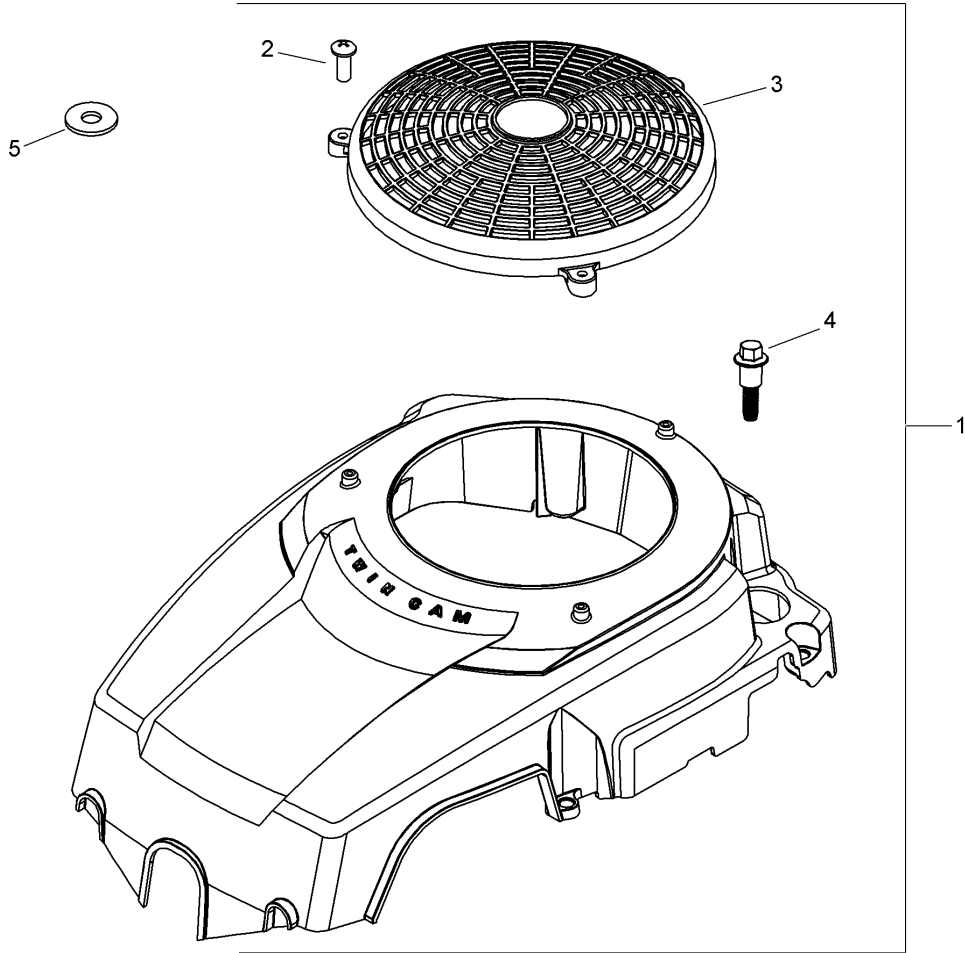




## Ignition and Electrical Assembly Kohler SV610-0020

Ref	Part No.	Qty.	Description
1	20 162 02-S	1	Screen-Grass
2	12 086 14-S	1	Screw-Hex, Flange (M10X1.5X45)
3	12 468 03-S	1	Washer-Flat (.38)
4	20 146 04-S	1	Plate-Mounting, Fan
5	20 157 01-S	1	Fan
6	X-42-15-S	1	Key (.19 X .62)
7	20 025 05-S	1	Flywheel
8	20 086 17-S	2	Screw-Socket, Hex (M5X0.8X25)
9	20 154 03-S	1	Clip-Wire, Stator
10	237878-S	1	Stator Kit (15 Amp)
11	236602-S	1	Connector (3 Contact)
12	M-545020-S	2	Screw-HHFTF (M5X0.8X20)
13	41 403 09-S	1	Rectifier-Regulator
14	231285-S	2	Clip-Cable
15	20 584 01-S	1	Module-Ignition
16	M-561025-S	2	Screw-Socket, Hex (M5X0.8X25)
17	20 707 01-S	1	R F I Suppression Kit (Includes 18-20)
18	25 132 14-S	1	Spark Plug (R F I)
19	25 154 08-S	1	Clip-Cable
20	20 123 01-S	1	Tube (R F I)
1 5	20 176 01-S	1	Harness-Wiring (Six Pin)

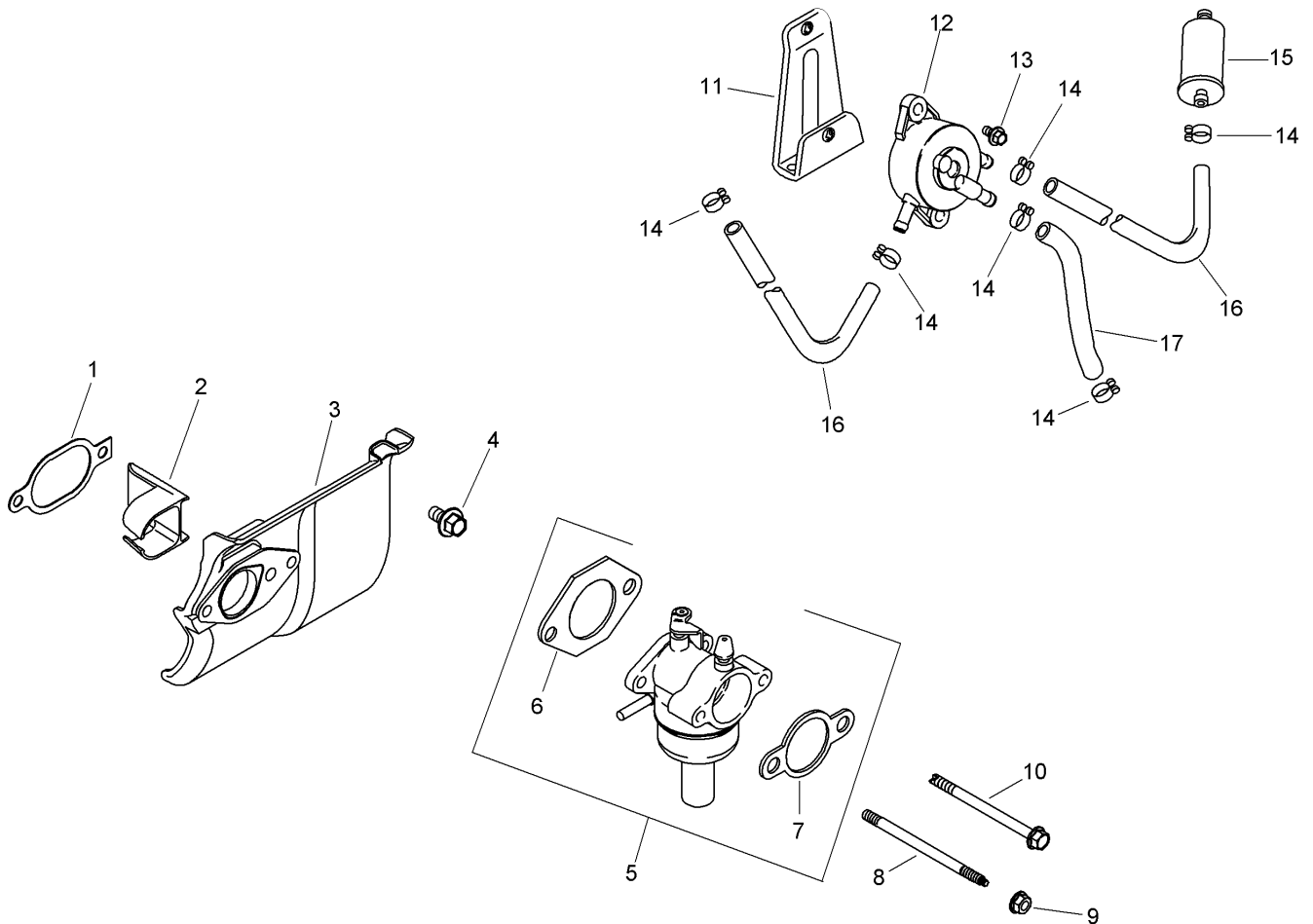
--	--	--	--



## Blower Housing Assembly Kohler SV610-0020

Ref	Part No.	Qty.	Description				
1	20 755 11-S	1	Blower Housing And Guard ASM (Includes 2-4, 20 113 29-S, 41 037 10-S)				
2	24 086 41-S	3	Screw-Phi HD (11-16X1/2)				
3	20 314 06-S	1	Guard-Fixed				
4	20 086 06-S	4	Bolt-Shoulder (M5X0.8X36)				
5	24 468 10-S	3	Washer-Plain (1/4)				
1	20 113 29-S	1	Label-Round, Kohler				
1	41 037 10-S	1	Nameplate-Service				

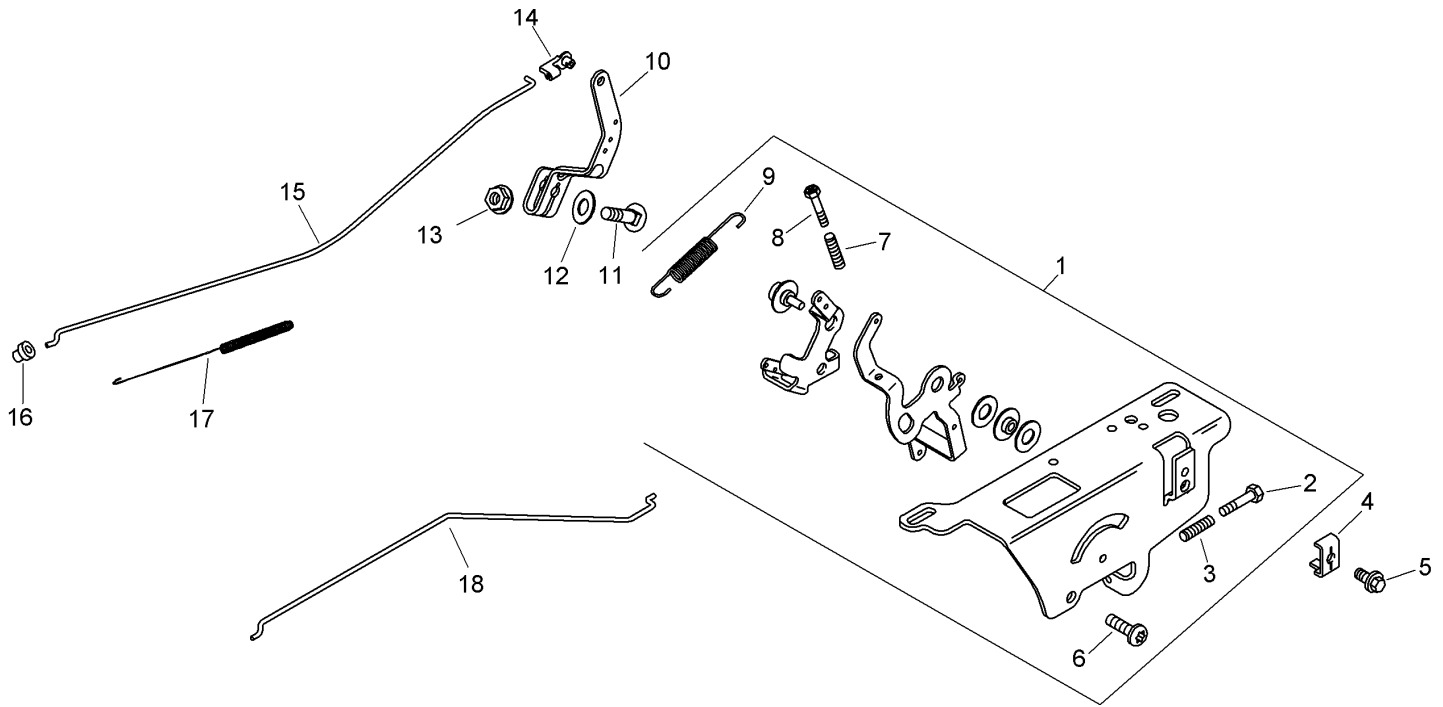




## Fuel System Assembly Kohler SV610-0020

Ref	Part No.	Qty.	Description
❶	20 041 07-S	1	Gasket-Deflector, Heat
❷	20 332 01-S	1	Insert-Port, Intake
❸	20 265 03-S	1	Deflector-Heat
❹	M-651020-S	1	Screw-Flange, Hex (M6X1.0X20)
❺	20 853 14-S	1	Carburetor ASM W/Gaskets (Includes 6, 7)
❻	12 041 01-S	1	Gasket-Carburetor
❼	12 041 02-S	1	Gasket-Base, Air Cleaner
❽	20 072 05-S	2	Stud-Mounting, Carburetor (M6X1.0X100)
❾	M-641060-S	2	Nut-Hex, Flange (M6X1.0)
❿	M-545010-S	2	Screw-HHFTF (M5X0.8X10)
⓫	20 126 02-S	1	Bracket-Mounting, Fuel Pump
⓬	24 393 16-S	1	Pump-Pulse, Fuel
⓭	M-645016-S	2	Screw-HHFTF (M6X1.0X16)
⓮	25 237 14-S	6	Clamp-Hose
⓯	25 050 22-S	1	Filter-Fuel
⓰	25 111 34-S	2	Line-Fuel (24 Inch, Cut to needed Length)
⓱	52 353 20-S	1	Line-Fuel (10 Inch)
⓲	25 454 05-S	1	Tie
⓳	X-22-11-S	1	Washer-Lock, Internal Tooth (1/4)
⓴	25 431 12-S	1	Sleeve, Fuel Line
⓵	12 755 110-S	1	Choke Shaft Kit
⓶	12 757 02-S	1	Float Repair Kit

Ref	Part No.	Qty.	Description
⓷	12 757 03-S	1	Carburetor Repair Kit
⓸	12 757 33-S	1	Solenoid Repair Kit
⓹	12 757 37-S	1	Bowl Replacement Repair Kit
⓺	20 755 06-S	1	High Altitude Kit (5, 000 Ft)
⓻	20 755 07-S	1	High Altitude Kit (10, 000 Ft)

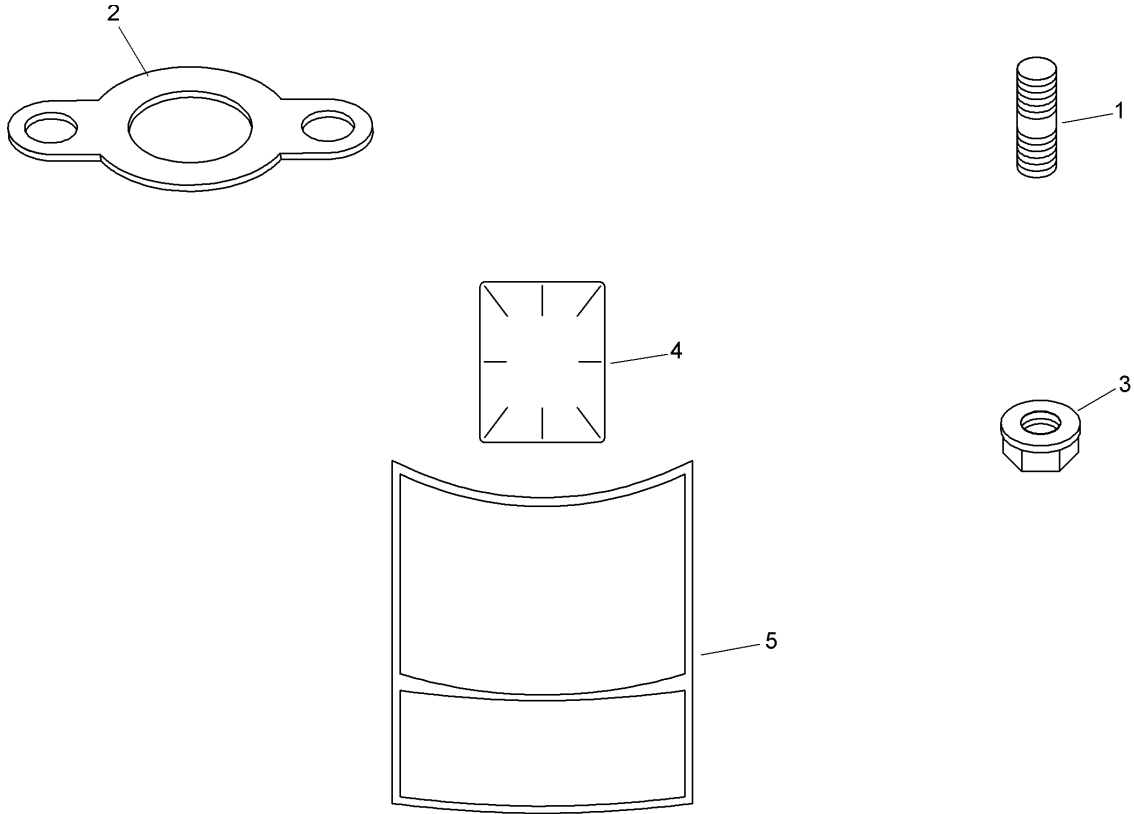


## Engine Control Assembly Kohler SV610-0020

Ref	Part No.	Qty.	Description
❶	20 536 05-S	1	Speed Control ASM (Includes 2, 3, 6-9)
❷	20 086 10-S	1	Screw-Thread Forming (M4X0.7X25)
❸	12 089 11-S	1	Spring-Control, Speed (Short)
❹	12 237 01-S	1	Clamp-Cable
❺	M-545016-S	1	Screw-HHFTF (M5X0.8X16)
❻	M-664020-S	2	Screw-Socket, 6 Lobed (Thread Forming, M6X1.0X20)
❼	12 089 11-S	2	Spring-Control, Speed (Short)
❽	20 086 10-S	2	Screw-Thread Forming (M4X0.7X25)
❾	20 089 11-S	1	Spring-Governor
❿	20 090 02-S	1	Lever-Governor
⓫	52 211 04-S	1	Bolt-Square Neck, Round Head (1/4-20X1)
⓬	X-22-11-S	1	Washer-Lock, Internal Tooth (1/4)
⓭	12 100 07-S	1	Nut-Flange, Hex (1/4-20)
⓮	25 158 11-S	1	Bushing-Linkage, Throttle
⓯	20 079 04-S	1	Linkage-Throttle
⓰	25 158 08-S	1	Bushing-Retaining, Linkage
⓱	20 089 10-S	1	Spring-Linkage
⓲	20 079 05-S	1	Linkage-Choke (Single Wire)

--	--	--	--





Artwork is representative  
Actual labels may differ depending on model and specification number

## Exhaust Stud, Gasket and Decal Assembly Kohler SV610-0020

Ref	Part No.	Qty.	Description
❶	25 072 04-S	2	Stud (M8X1.25X33)
❷	20 041 12-S	1	Gasket-Exhaust
❸	M-841080-S	2	Nut-Hex, Flange (M8X1.25)
❹	25 113 39-S	1	Decal-Laminate, Clear
❺	20 113 13-S	1	Decal (19 H P)
❶❷	20 522 02	1	Short Block (S V 530/540)
❶❸	20 755 05-S	1	Gasket Set

--	--	--	--

## Attachments and Accessories

### For 725058056 - G4020 Zero-Turn-Radius Mower

Product Name	Model/Part
Armrest Kit .....	108-6163
50in Mulching Kit .....	110-6744
Hour Meter Kit .....	112-9763
Deck Ring Kit .....	114-1608
Foot Assist Cutting Unit Lift Kit .....	79313
Engine Cover Kit .....	79314
Floor Mat Kit .....	79315
42in and 50in Twin Bagger .....	99324

## Attachments and Accessories

### For 94370 - G4020 Zero-Turn-Radius Mower

Product Name	Model/Part
Armrest Kit .....	108-6163
50in Mulching Kit .....	110-6744
Hour Meter Kit .....	112-9763
Deck Ring Kit .....	114-1608
Foot Assist Cutting Unit Lift Kit .....	79313
Engine Cover Kit .....	79314
Floor Mat Kit .....	79315
42in and 50in Twin Bagger .....	99324



**NEW HOLLAND**