



## TimeCutter™ Z420 Riding Mower

Model No. 74420 - 270000001 and up.

### Parts Catalog

---

#### Ordering Replacement Parts

To order replacement parts, please supply the part number, the quantity, and the description of each part desired.

#### Understanding Reference Numbers

Each identified part in an illustration has a reference number. The reference number for a part also appears in the parts list, along with other information about the part.

This catalog uses two special reference number formats, one to indicate parts in a service assembly and another to indicate the quantity of a given part in an illustration.

#### Service Assembly Reference Numbers

Parts in service assemblies have reference numbers in the form a:b. The a represents the reference number of the entire service assembly and the b represents a sequential number unique to each part within the service assembly.

For example, a wheel assembly might be identified by reference number 6, the tire by 6:1, the valve by 6:2, and the wheel by 6:3. When you order the assembly identified by reference number 6, you receive all parts identified by reference numbers 6:1, 6:2, and 6:3. However, you may also order any part individually. Reference numbers of this type appear in illustrations and in part lists.

#### Reference Numbers Indicating Quantity

In an illustration, if a reference number indicates more than one part, the reference number has the form nX y. The n represents the quantity of the part, the X is the multiplication symbol, and the y represents the reference number.

For example, in an illustration, the reference number 2X 37 means that two of the parts identified by reference number 37 are indicated.

# Contents

Description	Page	Description	Page
Frame Assembly	3	Crankcase Assembly Briggs and Stratton 31P777-0125-E1	22
Seat Assembly	4	Oil Filter, Tube and Pump Assembly Briggs and Stratton 31P777-0125-E1	23
Control Assembly	5	Carburetor Assembly (Keihin) Briggs and Stratton 31P777-0125-E1	24
Hydro and Belt Drive Assembly	6	Carburetor Assembly (Nikki) Briggs and Stratton 31P777-0125-E1	25
RH Hydro Transaxle Assembly No. 112-4761	7	Governor Assembly Briggs and Stratton 31P777-0125-E1	26
LH Hydro Transaxle Assembly No. 112-4760	9	Blower Housing Assembly Briggs and Stratton 31P777-0125-E1	27
Engine Assembly	11	Starter Assembly Briggs and Stratton 31P777-0125-E1	28
Styling Assembly	12	Gasket Kit Briggs and Stratton 31P777-0125-E1	29
42in Deck Assembly	13	Carburetor Overhaul Kit (Keihin) Briggs and Stratton 31P777-0125-E1	30
42in Deck Assembly No. 110-1890	14	Carburetor Overhaul Kit (Nikki) Briggs and Stratton 31P777-0125-E1	31
Deflector Assembly No. 93-7695	15	Attachments and Accessories List	32
Recycler Assembly	16		
Spindle and Belt Drive Assembly	17		
Electrical Assembly	18		
Cylinder Assembly Briggs and Stratton 31P777-0125-E1	19		
Cylinder Head Assembly Briggs and Stratton 31P777-0125-E1	20		
Crankshaft Assembly Briggs and Stratton 31P777-0125-E1	21		

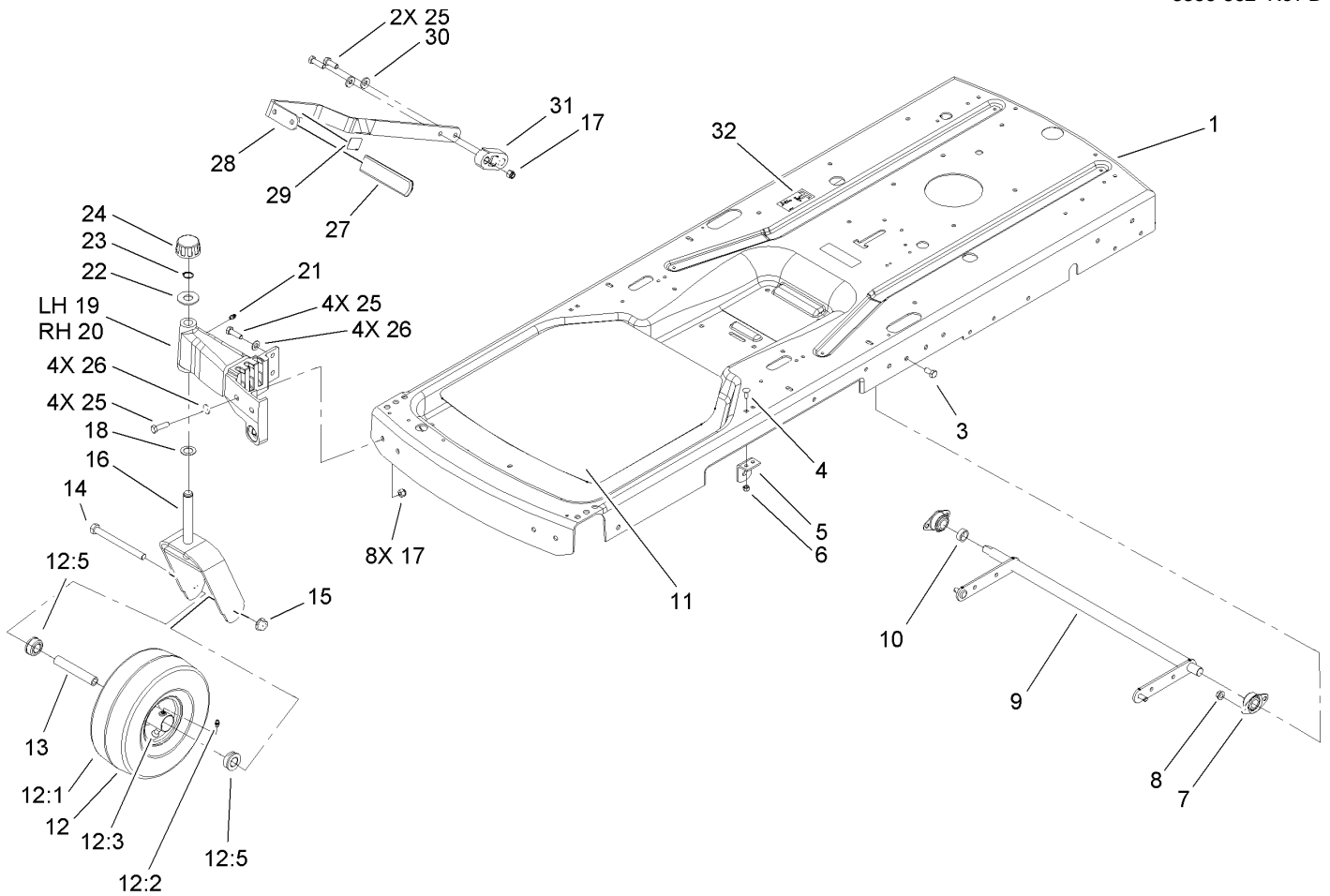
## Part Description Abbreviations

Part descriptions in this catalog may include the following abbreviations.

AR. .... as required	HYD. .... hydraulic
ASM. .... assembly	LH. .... left hand
BBC. .... blade brake clutch	NI. .... nylon insert
CARR. .... carriage	NPTF. .... national pipe thread fine
DEG. .... degrees	PFH. .... phillips flat head
EXT. .... external	PPH. .... phillips pan head
FH. .... flat head	PPHTF. .... phillips pan head thread forming
GA. .... gauge	PRH. .... phillips round head
HD. .... heavy-duty	PTH. .... phillips truss head
HF. .... hex flange	PTO. .... power-take-off
HH. .... hex head	RH. .... right hand
HHF. .... hex head flange	ROPS. .... roll-over protection system
HHFTF. .... hex head flange thread forming	SFH. .... slotted fillister head
HJ. .... hex jam	SHH. .... slotted hex head
HLH. .... hex lag head	SHWH. .... slotted hex washer head
HOC. .... height-of-cut	SPH. .... slotted pan head
HSBH. .... hex socket button head	SQH. .... square head
HSFH. .... hex socket flat head	SRH. .... slotted round head
HSH. .... hex socket head	STD. .... standard
HWH. .... hex washer head	TAP. .... self tapping
HWHTF. .... hex washer head thread forming	TTH. .... torx truss head

## Footnotes

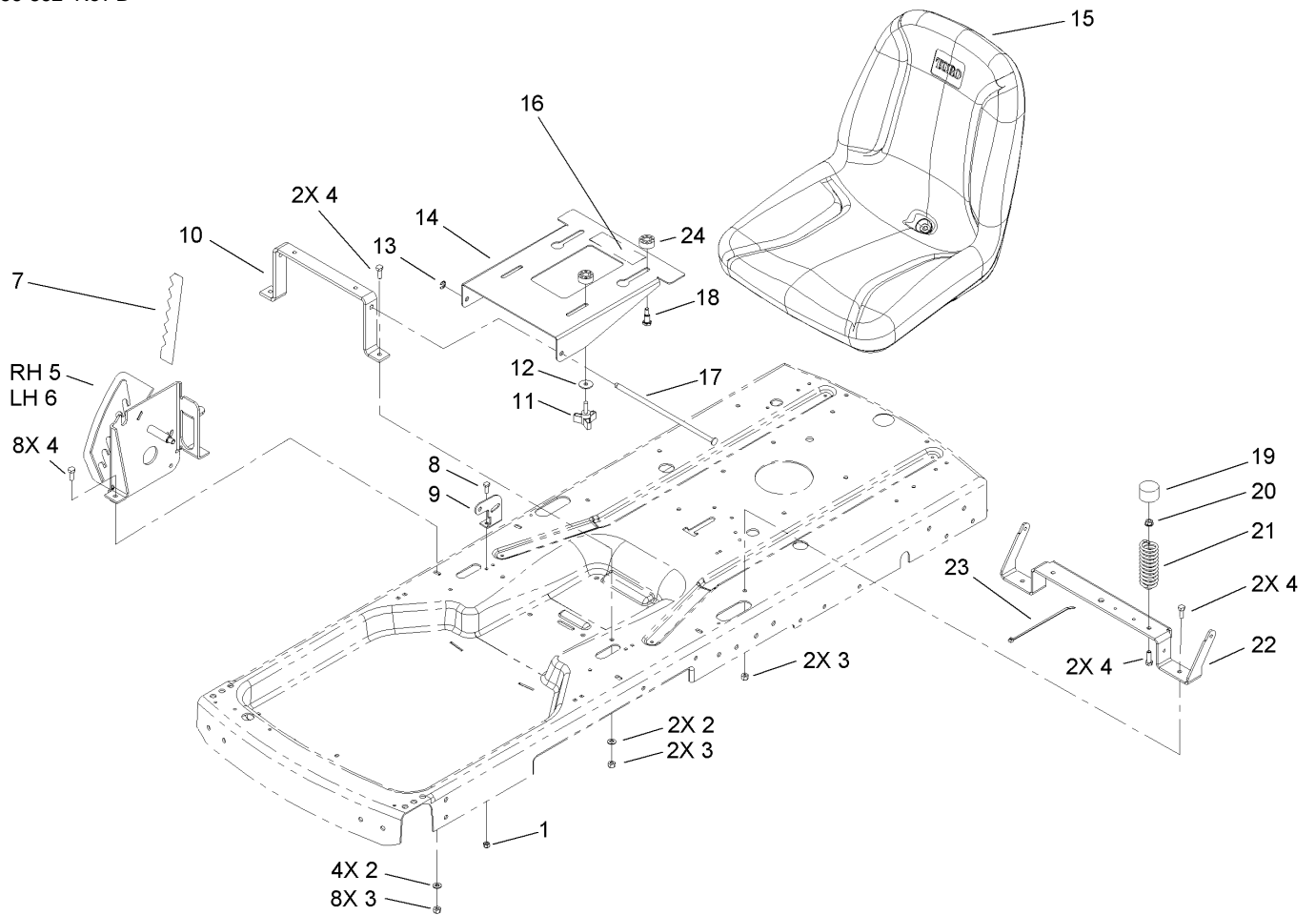
- |   |   |
|---|---|
| ❶ Not illustrated                                 | ❷ Not serviced separately                             |
| ❸ Obtain from your local Briggs & Stratton dealer | ❹ Included in Carburetor Overhaul Kit (Ref. No. 121)  |
| ❺ Included in Engine Gasket Set (Ref. No. 358)    | ❻ Included in Carburetor Gasket Set (Ref. No. 977)    |
| ❽ Included in Valve Gasket Set (Ref. No. 1095)    | ❼ For Service with Keihin Carburetors                 |
| ❾ For Service of Nikki Carburetors                | ❽ Included in Carburetor Overhaul Kit (Ref. No. 121A) |



### Frame Assembly

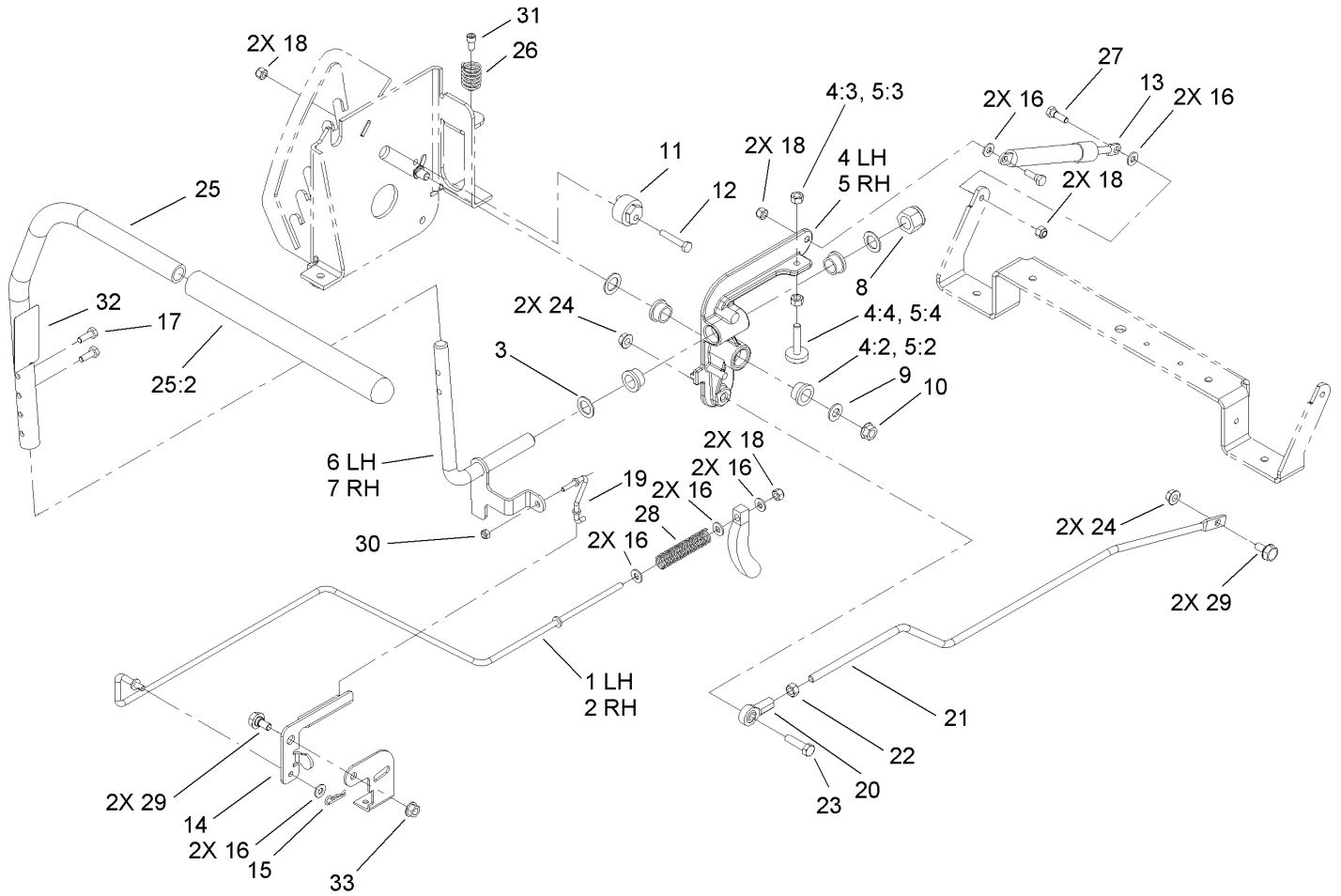
Ref	Part No.	Qty.	Description
1	108-2325-01	1	Frame
3	323-4	4	Screw-HH
4	3229-1	4	Screw-CARR
5	105-3439	2	Bracket-Lift
6	3296-42	4	Nut-Lock, NI
7	1-633102	2	Bearing-Flange, Side
8	3290-357	4	Nut-HHF, Whiz
9	105-3499-03	1	Lift Arm ASM
10	106-2222	1	Spacer
11	105-3460	1	Pad-Antiskid
12	105-3471	2	Front Wheel And Tire ASM
12:1	105-1943	1	Tire
12:2	302-5	1	Fitting-Grease
12:3	232-27	1	Stem-Valve
12:5	114-1640	2	Bushing-Flange
12:99	93-4244	1	Tube-Inner (W/Valve)
13	104-3667	2	Spanner-Wheel
14	325-22	2	Screw-HH
15	32128-23	2	Nut-HF
16	110-6581-01	2	Caster Fork ASM
17	3296-39	9	Nut-Lock, NI
18	3-6498	2	Washer-Thrust
19	105-6986-01	1	Caster-LH
20	105-6985-01	1	Castor-RH

Ref	Part No.	Qty.	Description
21	302-5	2	Fitting-Grease
22	28-2480	2	Washer
23	32151-103	2	Ring-Snap
24	61-9780	2	Cap-Hub
25	323-18	10	Screw-HH
26	3256-24	8	Washer-Flat
27	105-3450	1	Grip-Lever, Lift
28	108-2317-03	1	Lever-Lift
29	106-8743	1	Decal
30	98-5975	2	Washer-Belleville
31	106-2211	1	Block-Lift
32	108-6109	1	Decal-Transport, Ce



## Seat Assembly

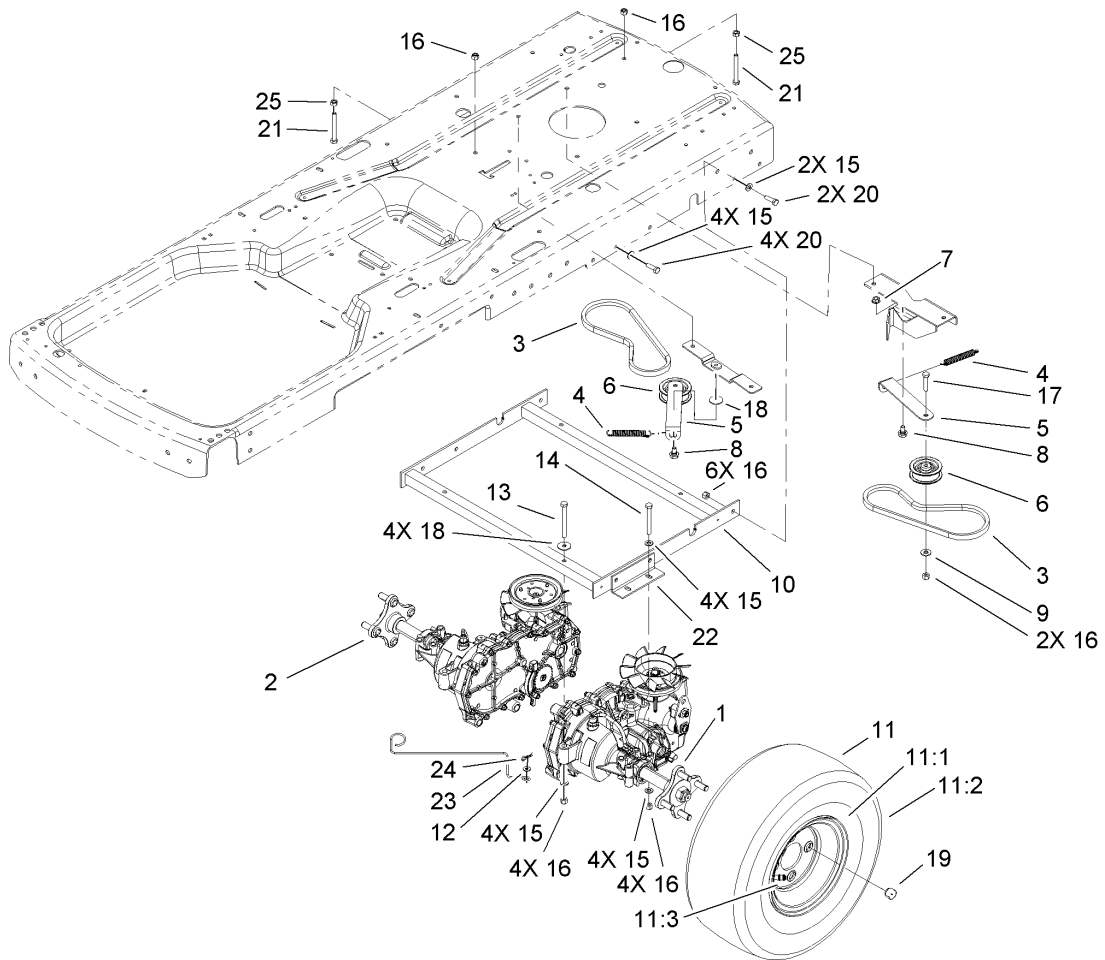
Ref	Part No.	Qty.	Description
1	3296-42	4	Nut-Lock, NI
2	3256-23	6	Washer-Flat
3	3296-29	12	Nut-Lock, NI
4	322-4	14	Screw-HH
5	106-2158-03	1	RH Plate ASM
6	106-2159-03	1	LH Plate ASM
7	106-2223	1	Decal-HOC
8	321-4	4	Screw-HH
9	106-2180	2	Bracket-Bellcrank
10	105-6954-03	1	Brace-Seat, Front
11	106-2240	2	Knob
12	5-4460	2	Washer-Pivot
13	105-7004	1	E-Ring
14	105-6953-03	1	Bracket-Seat
15	110-6772	1	Seat-18 Inch
16	106-8717	1	Decal-Service
17	105-6955	1	Pin-Pivot
18	613529	2	Screw Shoulder
19	701178	2	Cap-Protector
20	32128-25	2	Nut-HF
21	92-7054	2	Spring-Compression
22	108-2358-03	1	Brace-Seat, Rear
23	614249	1	Strap-Tie
24	107-4902	4	Spacer-Nylon

## Control Assembly

Ref	Part No.	Qty.	Description
1	105-7045	1	Rod-Brake, LH
2	105-7044	1	Rod-Brake, RH
3	105-3481	6	Washer-Thrust
4	110-1869	1	LH Activator Arm ASM
4:2	105-3455	4	Bushing
4:3	3217-6	2	Nut-Hex
4:4	105-3486	1	Stop-Adjustment
5	110-1870	1	RH Activator Arm ASM
5:2	105-3455	4	Bushing
5:3	3217-6	2	Nut-Hex
5:4	105-3486	1	Stop-Adjustment
6	105-3488	1	LH Pivot Shaft ASM
7	105-3487	1	RH Pivot Shaft ASM
8	3296-53	2	Nut-Lock, NI
9	3256-24	2	Washer-Flat
10	3296-59	2	Nut-Lock, NI
11	107-4874	2	Eccentric
12	321-9	2	Screw-HH
13	103-2913	2	Damper-Control, Motion
14	106-2181	2	Bellcrank
15	1-806003	2	Pin-Hair
16	3256-22	12	Washer-Flat
17	321-4	4	Screw-HH
18	3296-42	8	Nut-Lock, NI

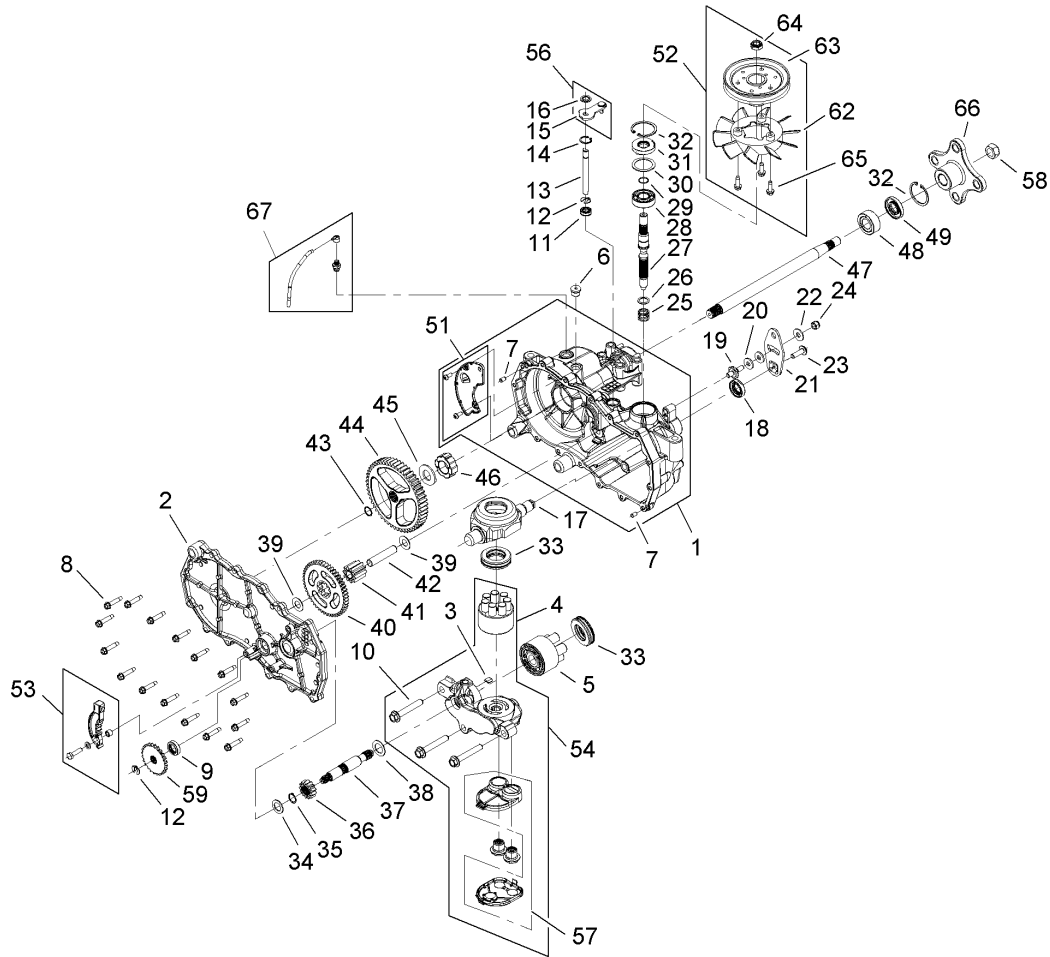
Ref	Part No.	Qty.	Description
19	106-2179	2	Link-Brake
20	1-543017	2	Balljoint-RH
21	105-7048	2	Rod-Hydro
22	3219-2	2	Nut-Hex
23	322-6	2	Screw-HH
24	32128-20	4	Nut-HF
25	106-2242	2	Handle ASM
25:2	1-633257	1	Grip-Control, Motion
26	105-3469	2	Spring-Compression
27	106-2214	4	Bolt-Shoulder
28	105-3465	2	Spring-Compression
29	37-8771	4	Bolt-Shoulder
30	3296-2	2	Nut-Lock
31	3274-52	2	Screw-HSH
32	106-8742	2	Decal
33	32128-25	2	Nut-HF



## Hydro and Belt Drive Assembly

Ref	Part No.	Qty.	Description
1	112-4760	1	Transaxle-Hydro, LH
2	112-4761	1	Transaxle-Hydro, RH
3	106-2174	2	V-Belt
4	95-3805	2	Spring
5	105-7047	2	Arm-Idler
6	106-2176	2	Pulley-Idler
7	32128-25	1	Nut-HF
8	37-8770	2	Bolt-Shoulder
9	3256-3	2	Washer-Flat
10	107-4878-03	1	Hydro Mount ASM
11	106-7004	2	Wheel And Tire ASM
11:1	242-76	1	Rim
11:2	106-7006	1	Tire
11:3	232-27	1	Stem-Valve
●11:99	107-2491	1	Tube-Tire
12	3256-1	2	Washer-Flat
13	322-20	4	Screw-HH
14	322-13	4	Screw-HH
15	3256-23	18	Washer-Flat
16	3296-29	18	Nut-Lock, NI
17	322-7	2	Screw-HH
18	5-4460	5	Washer-Pivot
19	242-50	8	Nut-Lug
20	322-5	6	Screw-HH

Ref	Part No.	Qty.	Description
21	322-13	2	Screw-HH
22	105-7039-03	2	Support-Hydro
23	107-4875	2	Rod-Bypass
24	1-806003	2	Pin-Hair
25	3217-6	2	Nut-Hex

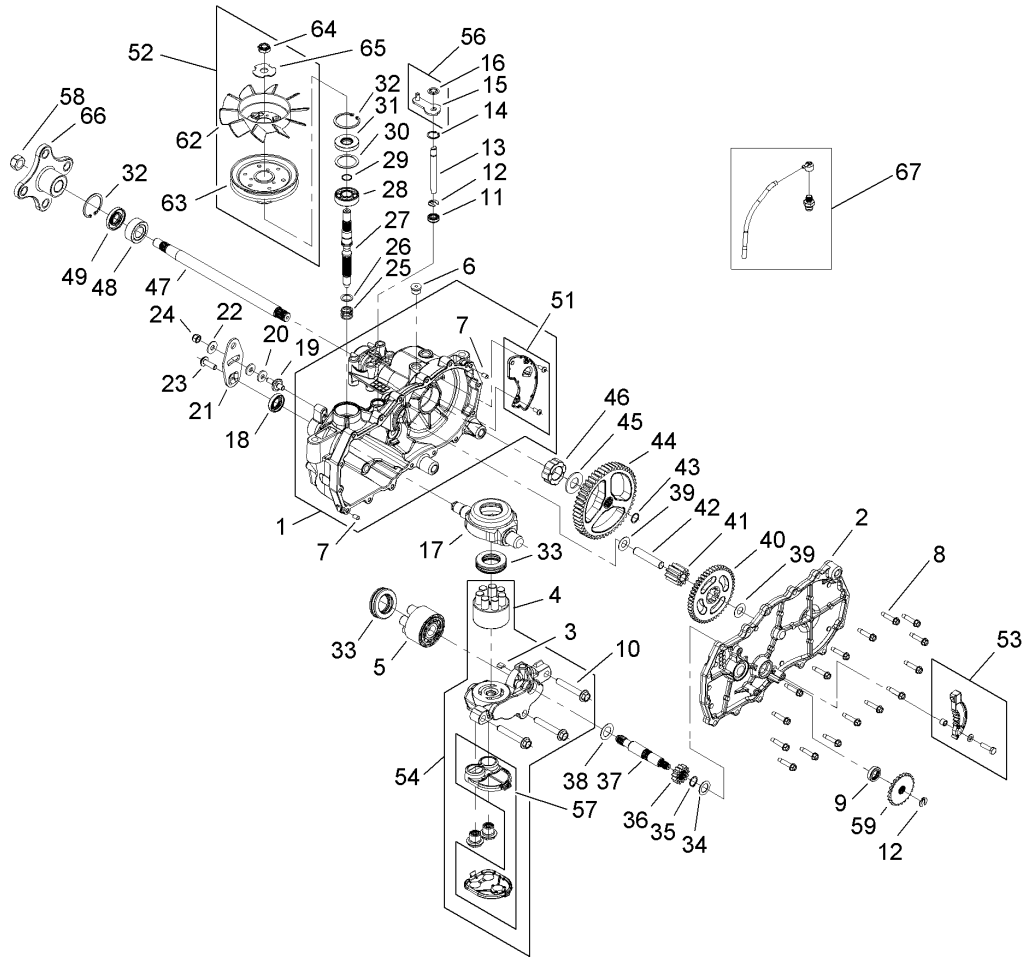


## RH Hydro Transaxle Assembly No. 112-4761

Ref	Part No.	Qty.	Description
1	106-8674	1	LH Main Housing ASM
2	106-8675	1	LH Side ASM
3	110-8560	1	Plate-Bypass
4	110-8561	1	Pump Block ASM
5	104-2106	1	Cylinder Block ASM
6	112-9850	1	Plug
7	104-2170	2	Pin
8	104-5305	16	Screw-HHF
9	112-9851	1	Brake Seal Kit
10	94-6926	3	Bolt
11	106-8676	1	Seal-Lip
12	106-8677	2	Ring-Retaining, EXT
13	106-8678	1	Rod-Bypass
14	106-8679	1	Ring-Retaining, Int
15	112-9852	1	Arm-Bypass
16	106-8681	1	Ring-Retaining, EXT
17	104-5304	1	Swashplate-Trunnion
18	104-5313	1	Seal-Lip
19	104-2116	1	Stud
20	112-9853	1	Puck-Friction
21	106-8747	1	Arm-Control
22	5-4460	1	Washer-Pivot
23	107-2488	1	Screw
24	105-1872	1	Nut

Ref	Part No.	Qty.	Description
25	94-1936	1	Spring-Block
26	94-1937	1	Washer-Block, Thrust
27	104-5306	1	Shaft-Input
28	104-5311	1	Bearing-Ball
29	104-5307	1	Ring-Retaining
30	104-5308	1	Spacer
31	104-5310	1	Seal-Lip
32	104-5309	2	Ring-Retaining
33	94-6922	2	Bearing-Thrust
34	104-5339	1	Washer-Flat
35	104-5340	1	Ring-Retaining
36	104-5316	1	Gear-Pinion, 13T
37	106-8683	1	Shaft-Motor
38	104-5360	1	Washer-Shaft, Motor
39	94-1933	1	Washer
40	104-5317	1	Gear
41	104-5318	1	Gear-Jackshaft, 10T
42	104-5329	1	Pin-Jackshaft
43	112-9854	1	Ring-Spiral, Retaining
44	112-9855	1	Gear-52T Bull
45	112-9856	1	Washer
46	112-9857	1	Bearing-Sleeve
47	112-9858	1	Shaft-Axle
48	112-9859	1	Bushing-Axle

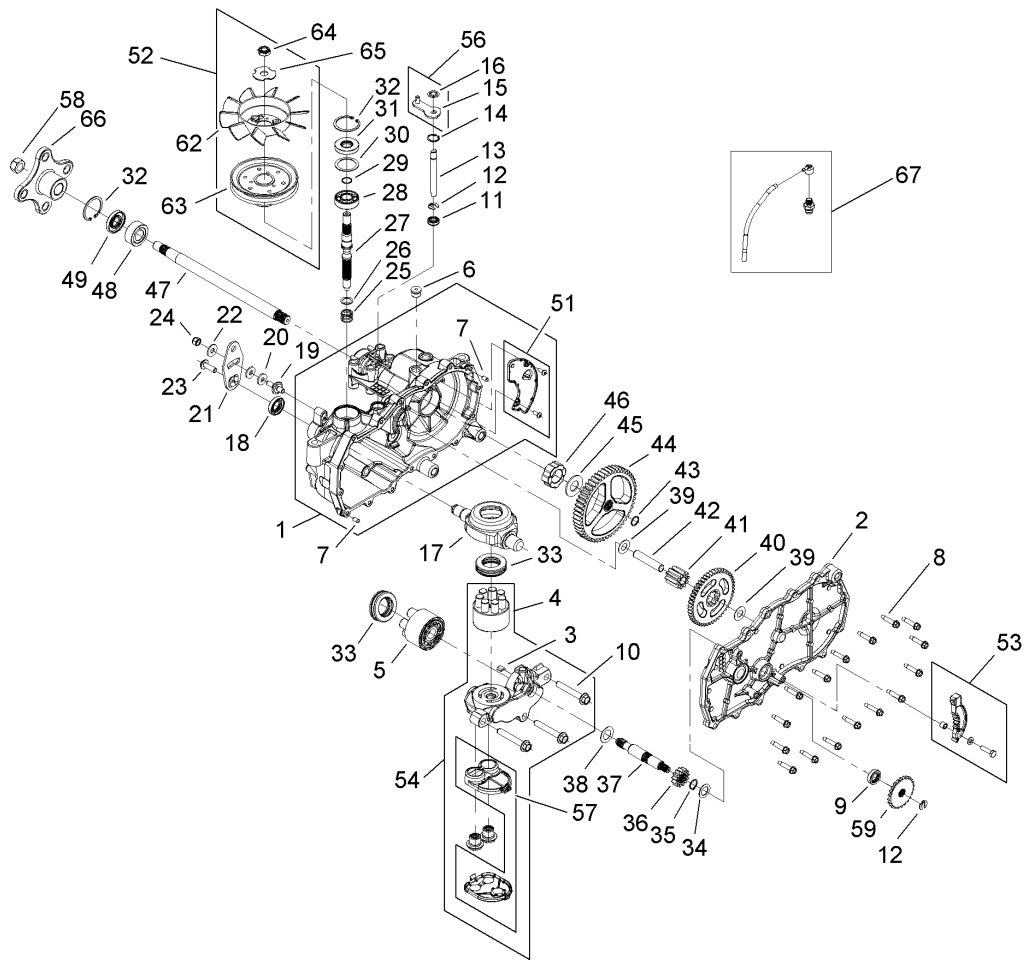




## LH Hydro Transaxle Assembly No. 112-4760

Ref	Part No.	Qty.	Description
1	106-8695	1	RH Main Housing ASM
2	106-8696	1	RH Side ASM
3	110-8560	1	Plate-Bypass
4	110-8561	1	Pump Block ASM
5	104-2106	1	Cylinder Block ASM
6	112-9850	1	Plug
7	104-2170	2	Pin
8	104-5305	16	Screw-HHF
9	112-9851	1	Brake Seal Kit
10	94-6926	3	Bolt
11	106-8676	1	Seal-Lip
12	106-8677	2	Ring-Retaining, EXT
13	106-8678	1	Rod-Bypass
14	106-8679	1	Ring-Retaining, Int
15	107-2490	1	Arm-Bypass
16	106-8681	1	Ring-Retaining, EXT
17	104-5304	1	Swashplate-Trunnion
18	104-5313	1	Seal-Lip
19	104-2116	1	Stud
20	112-9853	1	Puck-Friction
21	106-8747	1	Arm-Control
22	5-4460	1	Washer-Pivot
23	107-2488	1	Screw
24	105-1872	1	Nut

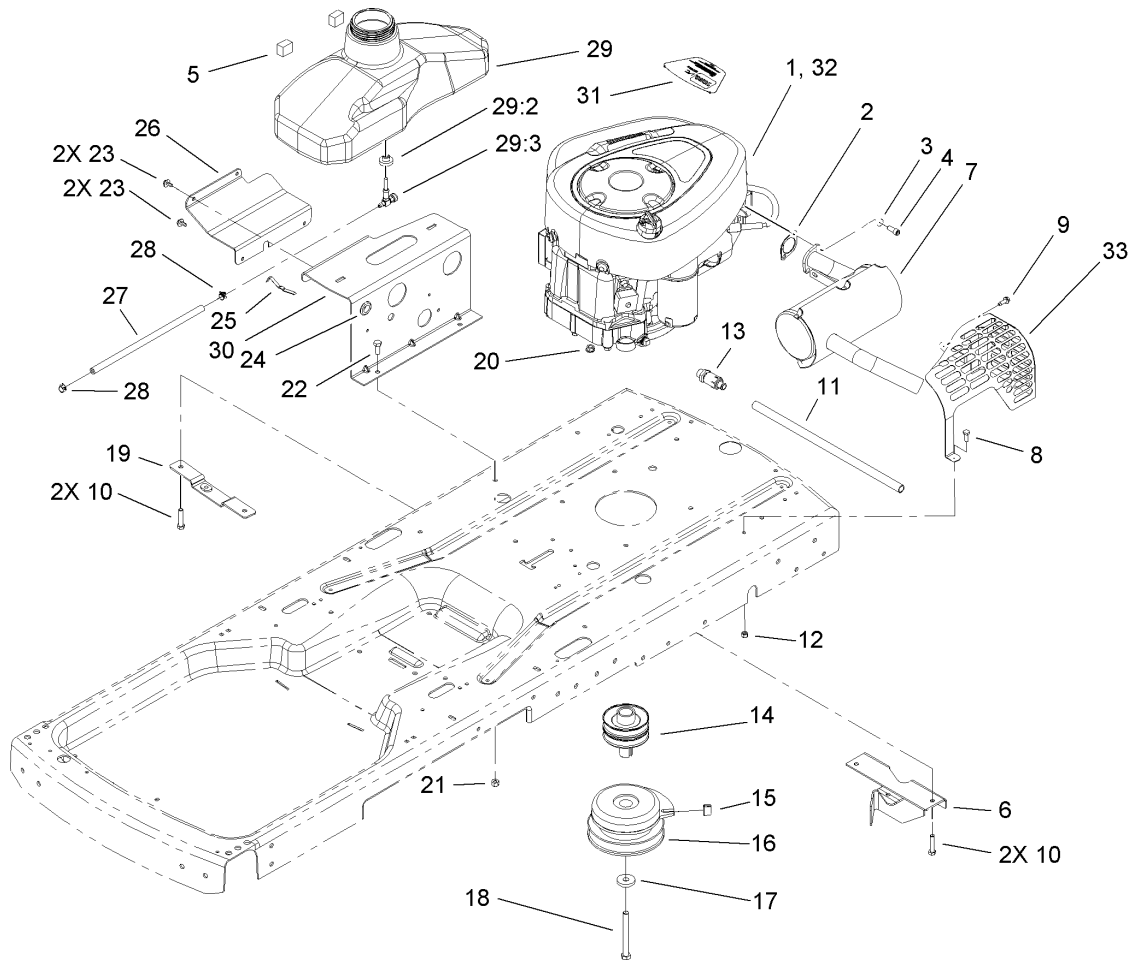
Ref	Part No.	Qty.	Description
25	94-1936	1	Spring-Block
26	94-1937	1	Washer-Block, Thrust
27	104-5306	1	Shaft-Input
28	104-5311	1	Bearing-Ball
29	104-5307	1	Ring-Retaining
30	104-5308	1	Spacer
31	104-5310	1	Seal-Lip
32	104-5309	2	Ring-Retaining
33	94-6922	2	Bearing-Thrust
34	104-5339	1	Washer-Flat
35	104-5340	1	Ring-Retaining
36	104-5316	1	Gear-Pinion, 13T
37	106-8683	1	Shaft-Motor
38	104-5360	1	Washer-Shaft, Motor
39	94-1933	2	Washer
40	104-5317	1	Gear
41	104-5318	1	Gear-Jackshaft, 10T
42	104-5329	1	Pin-Jackshaft
43	112-9854	1	Ring-Spiral, Retaining
44	112-9855	1	Gear-52T Bull
45	112-9856	1	Washer
46	112-9857	1	Bearing-Sleeve
47	112-9858	1	Shaft-Axle
48	112-9859	1	Bushing-Axle



## LH Hydro Transaxle Assembly No. 112-4760 (continued)

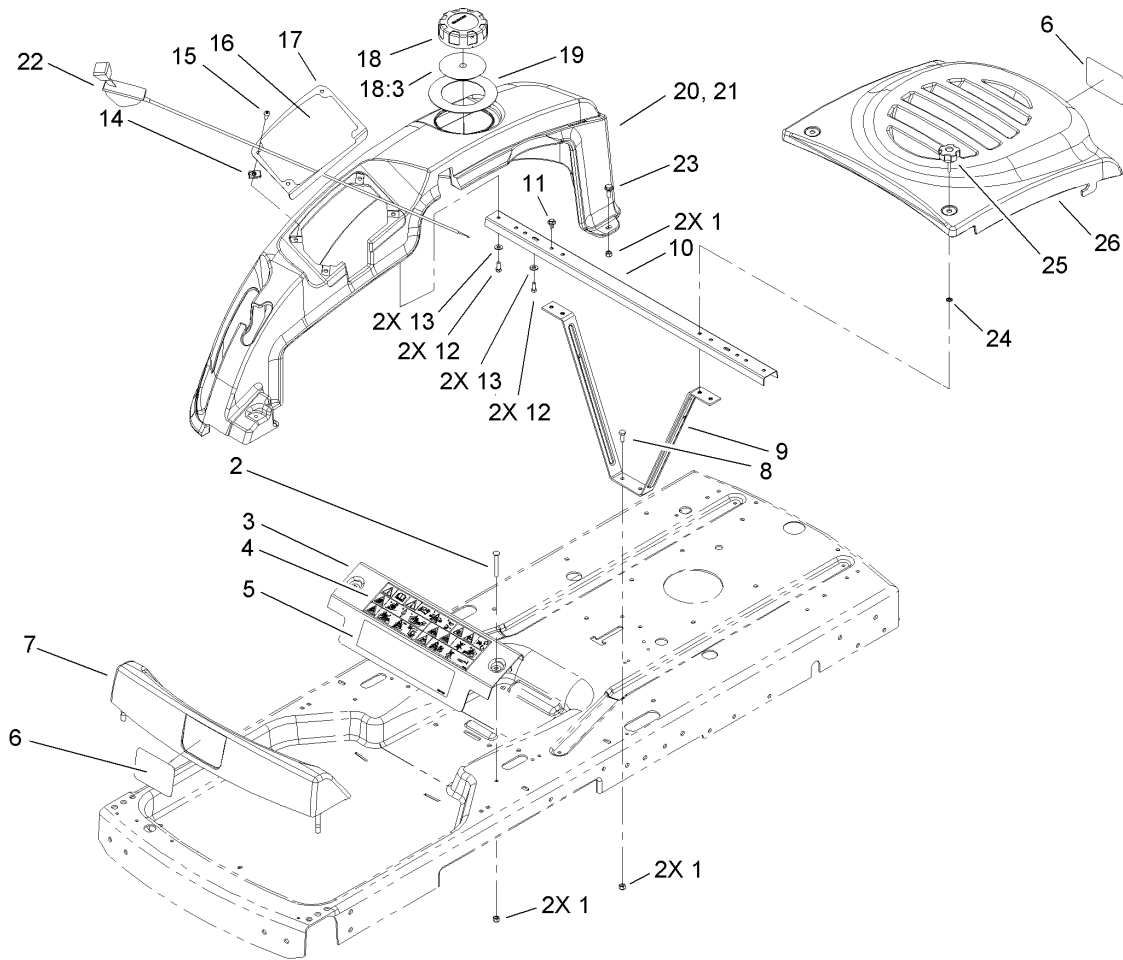
Ref	Part No.	Qty.	Description
49	112-9860	1	Seal-Lip
❶50	106-8686	1	Seal Kit
51	106-8697	1	RH Expansion Plate Kit
52	106-8698	1	Fan Pulley Kit
53	106-8688	1	Brake Arm Kit
54	112-9861	1	RH Center Section Filter Kit
❶55	112-9863	1	Tube-Sealant
56	107-2489	1	Bypass Arm Kit
57	106-8693	1	Filter Kit
58	110-8563	1	Nut-Lock, HH
59	106-8694	1	Disc-Brake, Cog
❶60	112-9864	1	Hose
❶61	108-8562	1	Pinch-Clamp, Single Ear
62	110-8566	1	Fan-6 Inch, 10 Blade
63	104-1754	1	Pulley
64	105-1875	1	Nut-Lock
65	107-9122	1	Washer-Slotted
66	105-1894	1	Hub ASM
67	112-9866	1	Breather Kit

--	--	--	--



## Engine Assembly

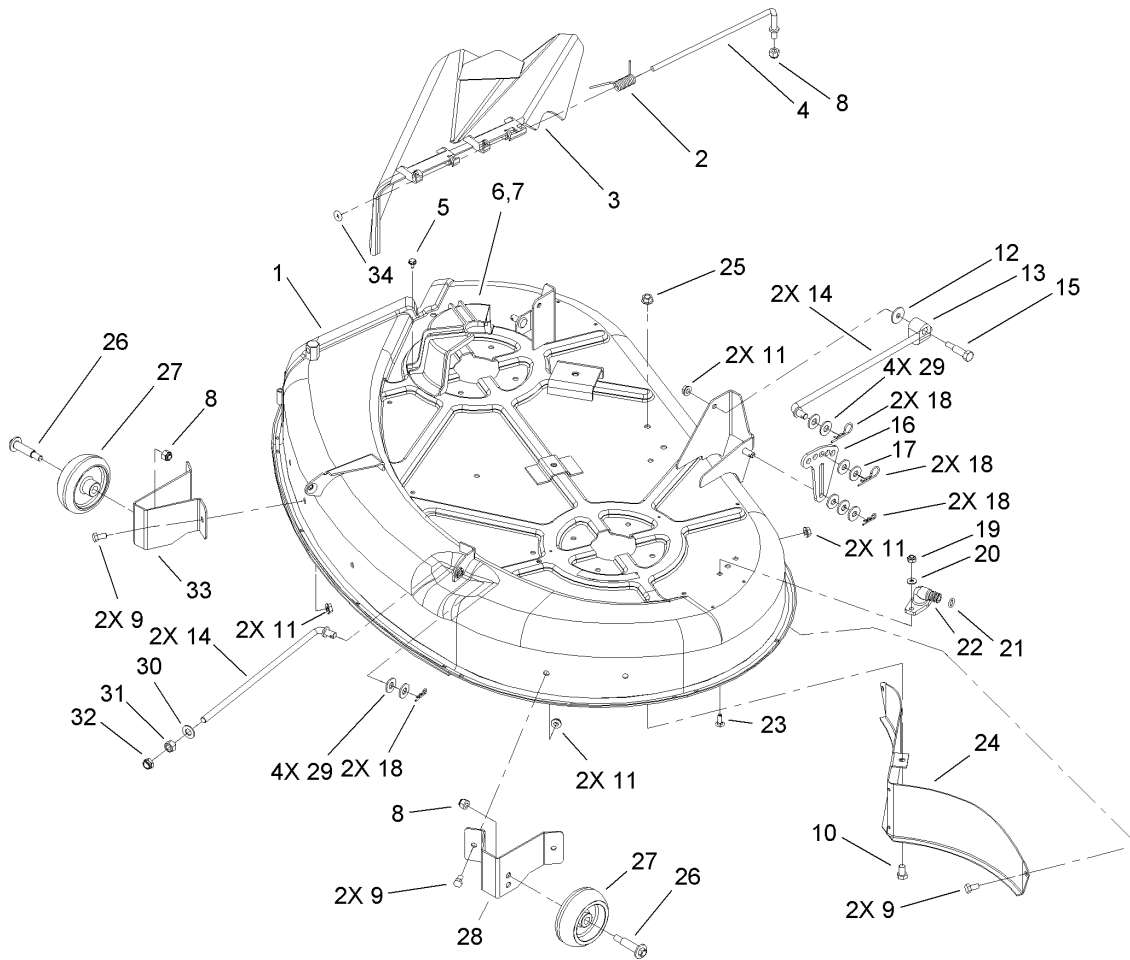
Ref	Part No.	Qty.	Description	Ref	Part No.	Qty.	Description
1		1	Engine-Briggs And Stratton, 31P777-0125-E1	24	237-124	1	Grommet
2	88-4410	1	Gasket-Muffler	25	609830	2	Spring
3	3253-4	2	Washer-Lock	26	108-2315-03	1	Plate-Support
4	3274-10	2	Screw-HSH	27	109-0297	1	Hose-Fuel
5	104-2488	2	Foam-Switch, Seat	28	2412-98	2	Clamp
6	107-4873	1	Bracket-Pivot	29	105-3464	1	Gas Tank ASM
7	106-7007	1	Muffler	29:2	46-6560	1	Bushing
8	321-4	1	Screw-HH	29:3	110-6565	1	Valve-Fuel
9	32144-44	2	Screw-HWH	30	108-2314-03	1	Plate-Tank
10	322-7	4	Screw-HH	31	112-4775	1	Decal-Engine
11	106-7022	1	Tube-Drain, Oil	32	88-4490	1	Reducer-Throttle, Rpm
12	3296-42	1	Nut-Lock, NI	33	106-7028-03	1	Guard-Muffler
13	92-6877	1	Valve-Drain, Oil				
14	105-3472	1	Pulley-Engine				
15	98-5023	1	Bumper				
16	104-3334	1	Clutch-Electric				
17	112843	1	Washer				
18	3212-16	1	Screw-HH				
19	106-2156	1	Plate-Mount, Idler				
20	32128-25	4	Nut-HF				
21	3296-29	2	Nut-Lock, NI				
22	322-4	2	Screw-HH				
23	46-8560	4	Screw-HHF				



### Styling Assembly

Ref	Part No.	Qty.	Description
1	3296-42	6	Nut-Lock, NI
2	3229-7	2	Screw-CARR
3	106-2164-03	1	Bracket-Support, Front
4	110-6567	1	Decal-Danger
5	108-7128	1	Decal
6	105-6971	2	Decal
7	105-6965	1	Footrest ASM
8	321-4	2	Screw-HH
9	106-6994-03	1	Brace ASM
10	108-2313-03	1	Channel-Cross
11	46-8560	2	Screw-HHF
12	46-8090	4	Screw-Plastite
13	3256-22	4	Washer-Flat
14	107069	4	Clip
15	3258-166	4	Screw-PRH
16	106-2224	1	Decal-Control
17	106-2167-03	1	Panel-Control
18	88-3980	1	Gas Cap ASM
18:3	88-4010	1	Gasket-Cap, Gas
19	106-7042	1	Seal-Rubber
20	106-2161	1	Cover-Side, RH
21	106-2162	1	Cover-Side, LH
22	104-3626	1	Cable-Throttle
23	11-9030	2	Screw-Shoulder

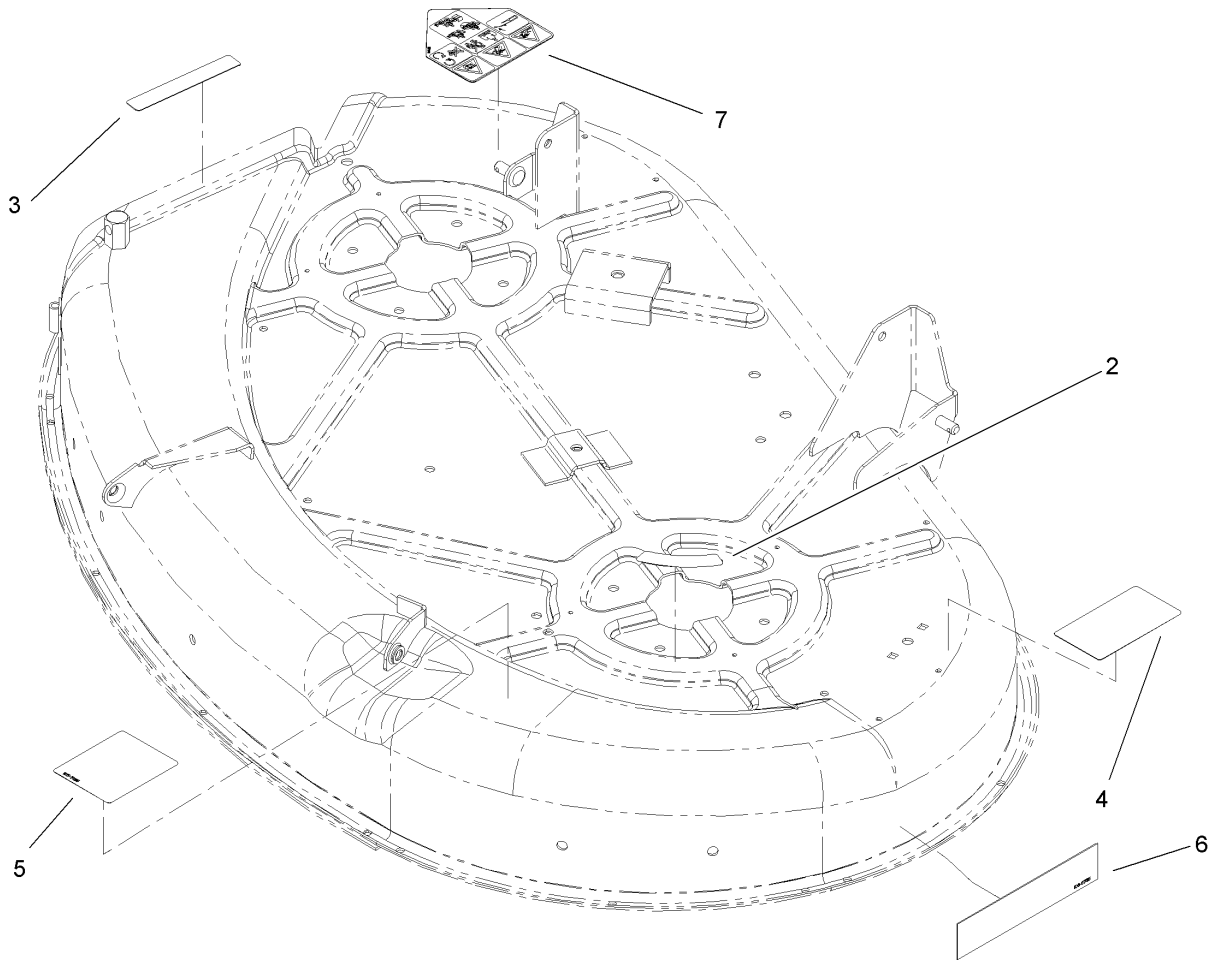
Ref	Part No.	Qty.	Description
24	106-8737	2	Nut-Retainer
25	106-7017	2	Knob
26	106-2163	1	Cover-Hood



### 42in Deck Assembly

Ref	Part No.	Qty.	Description
1	110-1890	1	42 Inch Deck ASM
2	57-6950	1	Spring
3	93-7695	1	Deflector ASM
4	95-1661	1	Rod-Pivot
5	32104-76	5	Screw
6	88-4030	1	Guide-Belt, Deck (LH)
7	88-4020	1	Guide-Belt, Deck (RH)
8	3296-39	3	Nut-Lock, NI
9	322-2	6	Screw-HH
10	323-34	1	Screw-HH
11	32128-25	8	Nut-HF
12	5-4460	2	Washer-Pivot
13	88-4230	2	Trunnion-HOC
14	105-3437	4	Rod-Hanger
15	7-0030	2	Bolt-Shoulder
16	88-5570-03	2	Link-Adjusting, HOC
17	80-6990	10	Washer-Hardened
18	9335054	8	Pin-Hair
19	3296-42	2	Nut-Lock, NI
20	3256-1	2	Washer-Flat
21	46-6290	1	O-Ring
22	95-2747	1	Fitting-Washout
23	3229-1	2	Screw-CARR
24	108-8513-03	1	Baffle-Rear

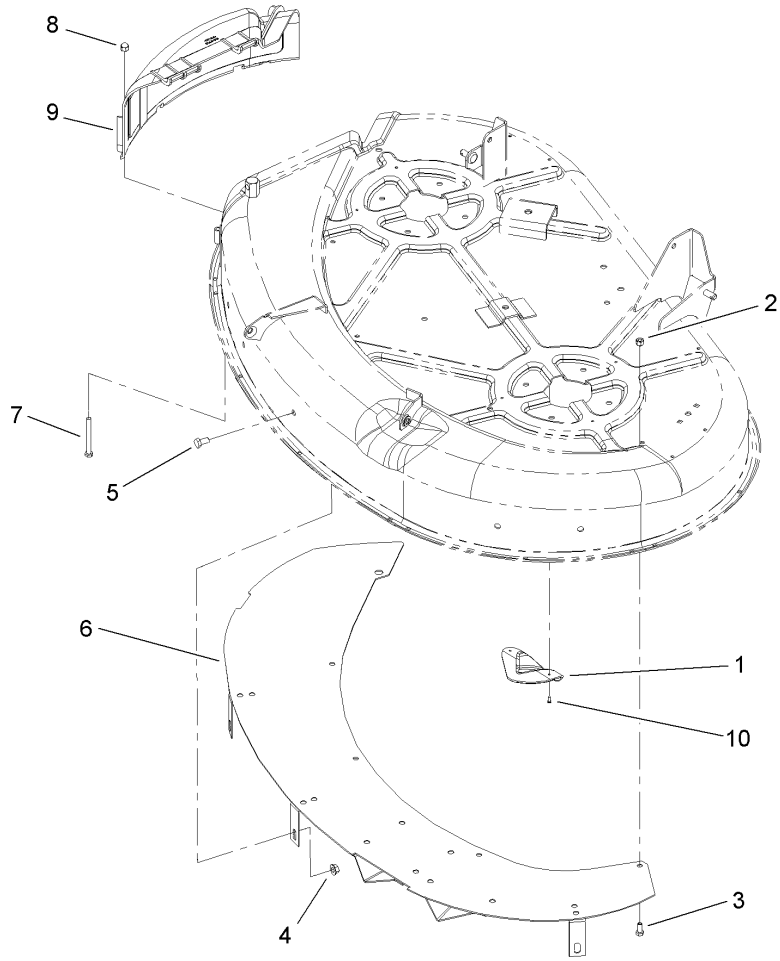
Ref	Part No.	Qty.	Description
25	32128-21	1	Nut-HF
26	56-6591	2	Bolt-Wheel
27	701756	2	Wheel-Gage
28	106-8702-03	1	Bracket-Gage Wheel, Front (LH)
29	3256-4	8	Washer-Flat
30	3256-25	2	Washer-Flat
31	3219-4	2	Nut-Hex
32	3296-38	2	Nut-Lock, NI
33	106-8701-03	1	Bracket-Gage Wheel, Front (RH)
34	106-8745	1	O-Ring



### 42in Deck Assembly No. 110-1890

Ref	Part No.	Qty.	Description
2	93-6677	1	Decal-Shield, Danger
3	93-7009	1	Decal-Danger
4	93-7010	1	Decal-Danger
5	105-7015	1	Decal-Routing, Belt
6	106-8735	1	Decal
7	110-1868	1	Decal-Danger, Shield

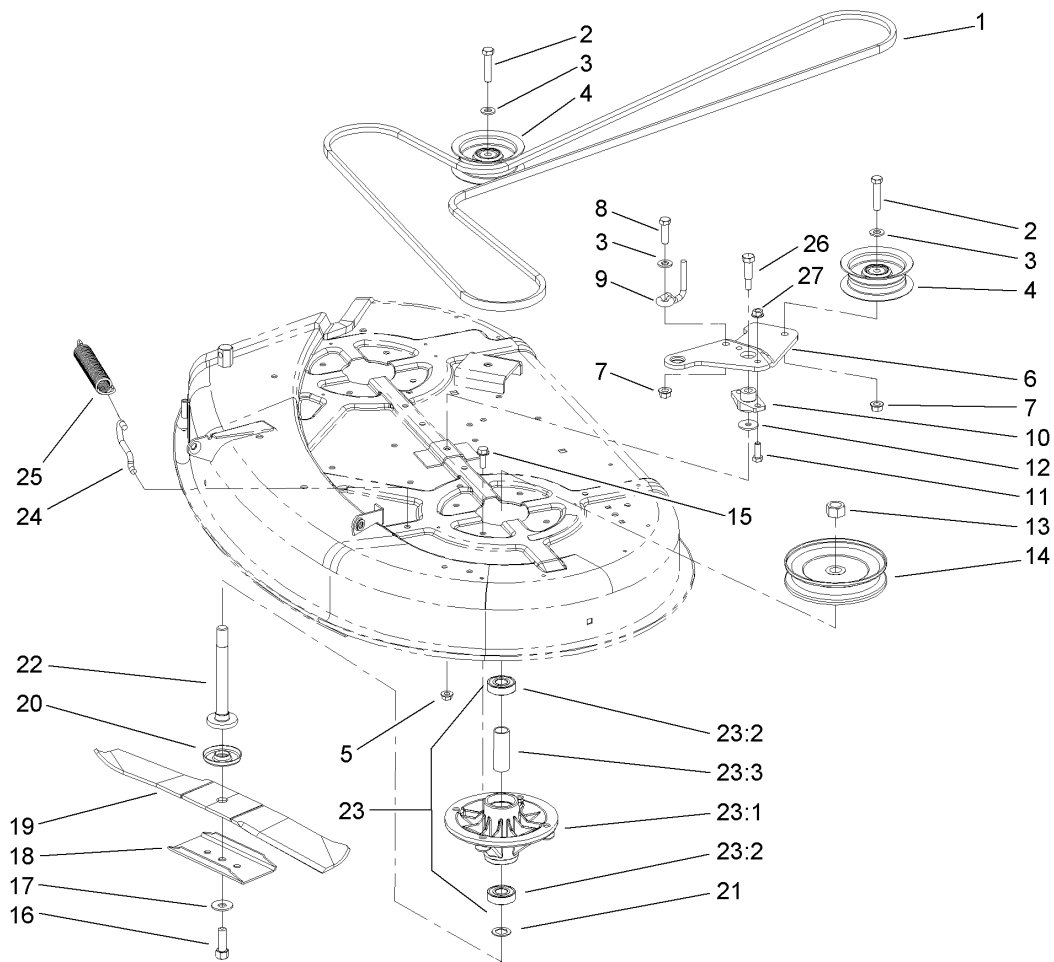




## Recycler Assembly

Ref	Part No.	Qty.	Description
1	76-2160	3	Plate-Kicker
2	3296-42	4	Nut-Lock, NI
3	321-3	4	Screw-HH
4	32128-25	1	Nut-HF
5	322-2	1	Screw-HH
6	107-7316-03	1	Baffle Upper ASM
7	321-14	2	Screw-HH
8	32111-7	2	Nut-Cap
9	107-2527	1	Cover-Discharge, Deck
10	32144-111	6	Screw-PPH

--	--	--	--

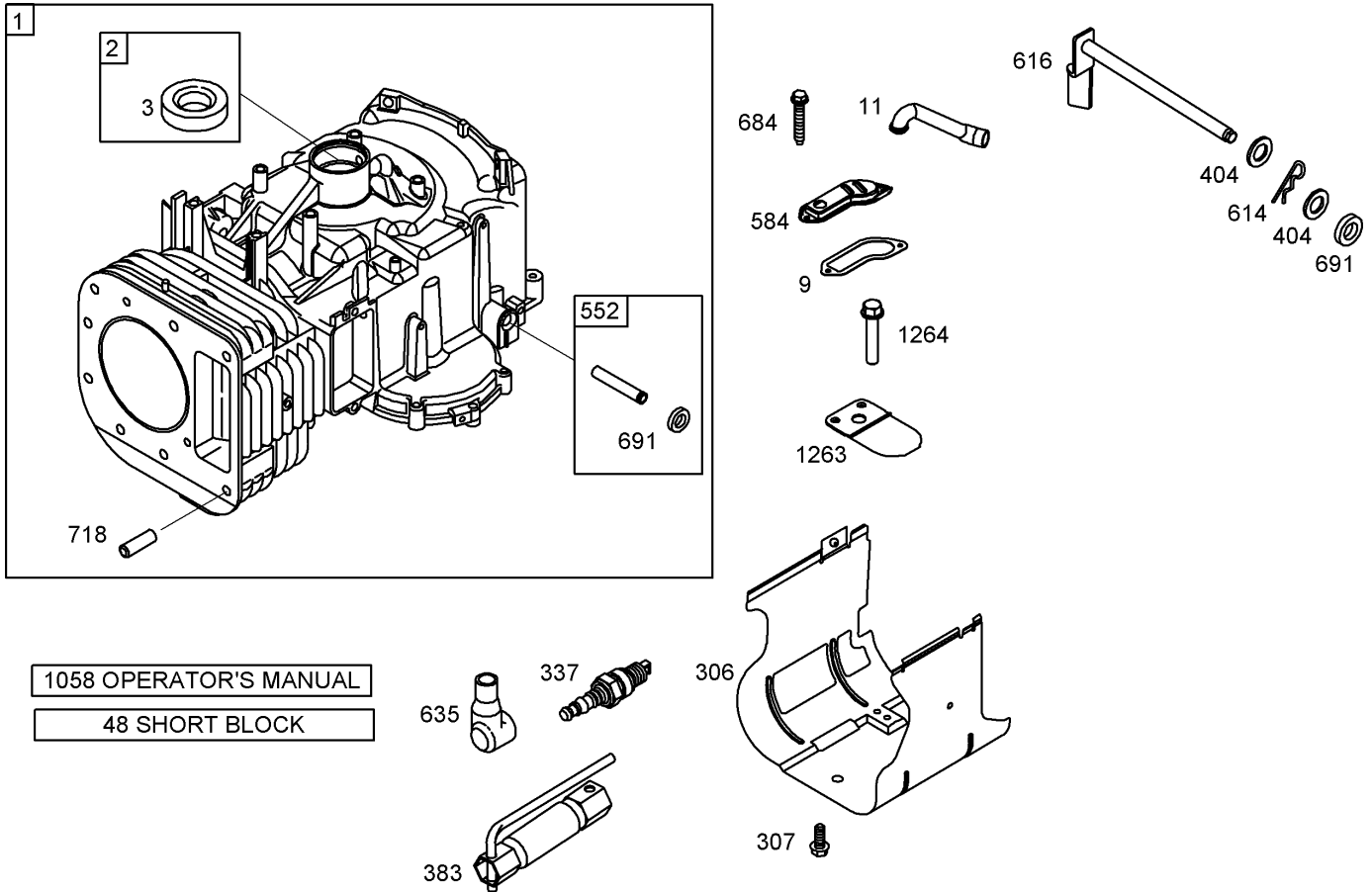


## Spindle and Belt Drive Assembly

Ref	Part No.	Qty.	Description
1	106-2173	1	Belt-V
2	323-9	2	Screw-HH
3	3256-24	3	Washer-Flat
4	106-2175	2	Pulley-Idler, Flat
5	32128-25	1	Nut-HF
6	107-2467-03	1	Arm-Idler
7	32128-21	2	Nut-HF
8	323-7	1	Screw-HH
9	107-7307	1	Guide-Idler, Belt
10	88-4980	1	Bushing-Arm, Idler
11	322-4	2	Screw-HH
12	5-4460	1	Washer-Pivot
13	3219-6	2	Nut-Hex
14	88-5330	2	Pully-Deck
15	32144-41	8	Screw-Taptite
16	26-0671	2	Screw-Blade
17	3290-465	2	Washer-Belleville
18	106-2248-03	2	Stiffener-Blade
19	106-2247-03	2	Blade
20	80-4360	2	Shield-Bearing
21	80-4380	2	Spacer
22	80-4341	2	Spindle-Shaft
23		2	Spindle ASM
23:1	88-4510	1	Housing-Spindle

Ref	Part No.	Qty.	Description
23:2	100-1048	2	Bearing-Ball
23:3	62-3661	1	Spacer-Bearing
24	88-5970	1	Hook-Return, Spring
25	106-2177	1	Spring-Extension
26	7-0030	1	Bolt-Shoulder
27	3296-29	2	Nut-Lock, NI

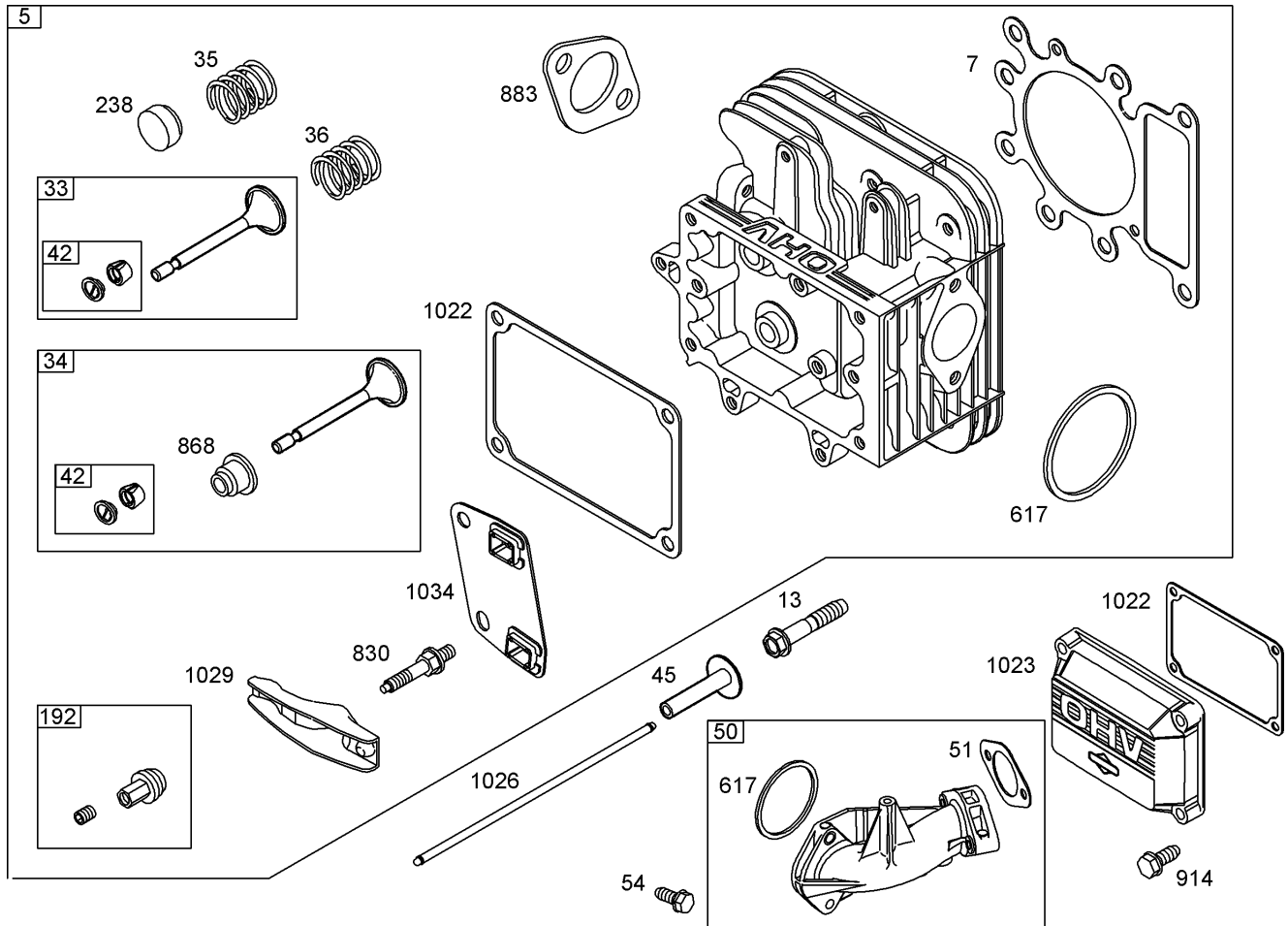




Assemblies include all parts shown in frames

## Cylinder Assembly Briggs and Stratton 31P777-0125-E1

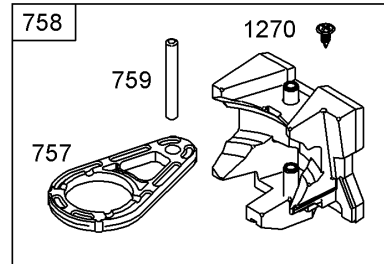
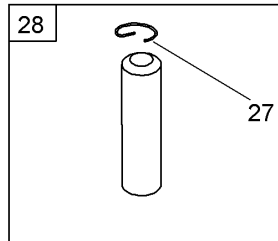
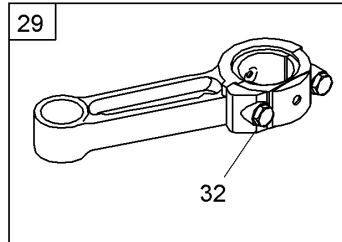
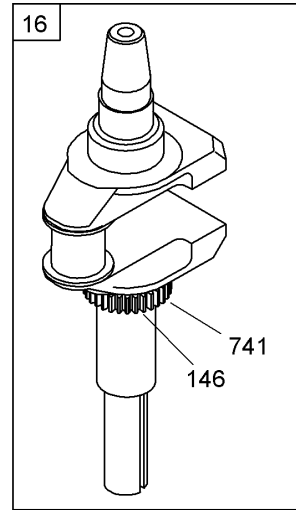
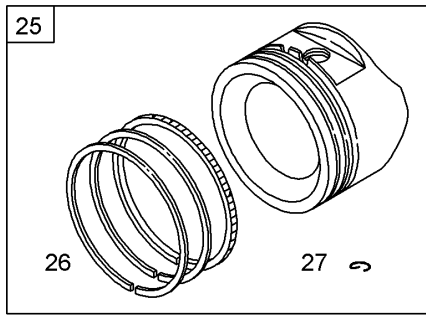
Ref	Part No.	Qty.	Description
1	697174	1	Cylinder ASM
2	399265	1	Bushing / Seal Kit (Magneto Side)
3	391086s	1	Seal-Oil (Magneto Side)
9	697109	1	Gasket-Breather
11	697113	1	Tube-Breather
48	697762	1	Short Block ASM
306	697107	1	Shield-Cylinder
307	691003	1	Screw (Cylinder Shield)
337	691043	1	Spark Plug
383	89838s	1	Wrench-Spark Plug
404	691691	1	Washer (Governor Crank)
552	697144	1	Bushing-Crank, Governor
584	697112	1	Cover-Passage, Breather
614	691620	1	Pin-Cotter
616	692012	1	Crank-Governor
635	691909	1	Boot-Spark Plug
684	697157	1	Screw (Breather Passage Cover)
691	692407	1	Seal-Shaft, Governor
718	690959	1	Pin-Locating
1058	MS5935	1	Manual-Operator
1263	697124	1	Reed-Breather
1264	697104	1	Screw (Breather Reed)

## Cylinder Head Assembly Briggs and Stratton 31P777-0125-E1

Ref	Part No.	Qty.	Description
5	792360	1	Head-Cylinder
57	699168	1	Gasket-Head, Cylinder
13	690360	1	Screw (Cylinder Head Gasket)
33	791934	1	Valve-Exhaust
34	791935	1	Valve-Intake
35	691279	1	Spring-Valve (Intake)
36	691279	1	Spring-Valve (Exhaust)
42	499586	1	Keeper-Valve
45	690564	1	Tappet-Valve
50	690193	1	Manifold-Intake
51	692137	1	Gasket-Intake
54	691148	1	Screw (Intake Manifold)
192	691986	1	Adjustor-Arm, Rocker
238	691843	1	Cap-Valve
617	692138	1	Seal-O Ring (Intake Manifold)
830	691095	1	Stud-Arm, Rocker
868	690968	1	Seal-Valve
883	692236	1	Gasket-Exhaust
914	691108	1	Screw (Rocker Cover)
1022	272475s	1	Gasket-Cover, Rocker
1023	791079	1	Arm-Rocker, Cover

Ref	Part No.	Qty.	Description
1026	692003	1	Rod-Push (Intake)
1026	692011	1	Rod-Push (Exhaust)
1029	691751	1	Arm-Rocker
1034	690822	1	Guide-Rod, Push



Assemblies include all parts shown in frames

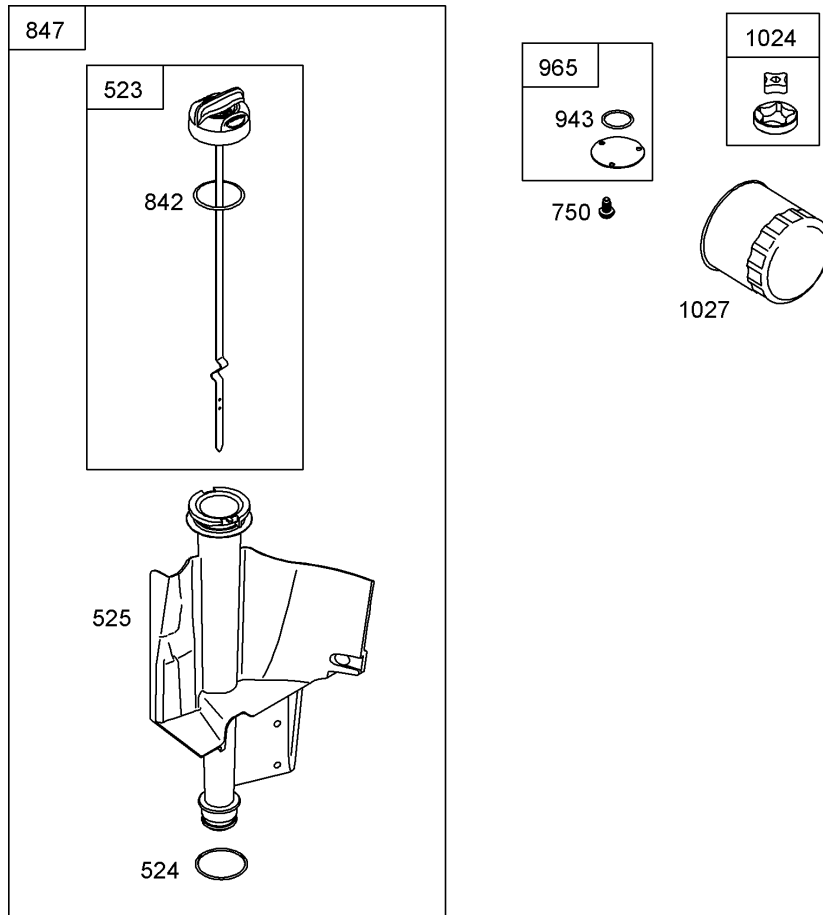
# Crankshaft Assembly

## Briggs and Stratton 31P777-0125-E1

Ref	Part No.	Qty.	Description
●16	697127	1	Crankshaft
●24	222698s	1	Key-Flywheel
●25	792118	1	Piston ASM (Standard)
●25	792648	1	Piston ASM (.020 Oversize)
●26	791936	1	Ring Set (Standard)
●26	791947	1	Ring Set (.020 Oversize)
●27	698469	1	Lock-Pin, Piston
●28	697099	1	Pin-Piston (STD)
●29	791631	1	Rod-Connecting (STD)
●32	692852	1	Screw (Connecting Rod)
●146	691639	1	Key-Timing
●741	697128	1	Gear-Timing
●757	697607	1	Link-Counterweight
●758	697134	1	Counterweight
●759	697392	1	Pin-Counterweight
●1270	697156	1	Plug-Counterweight, Avs

--	--	--	--



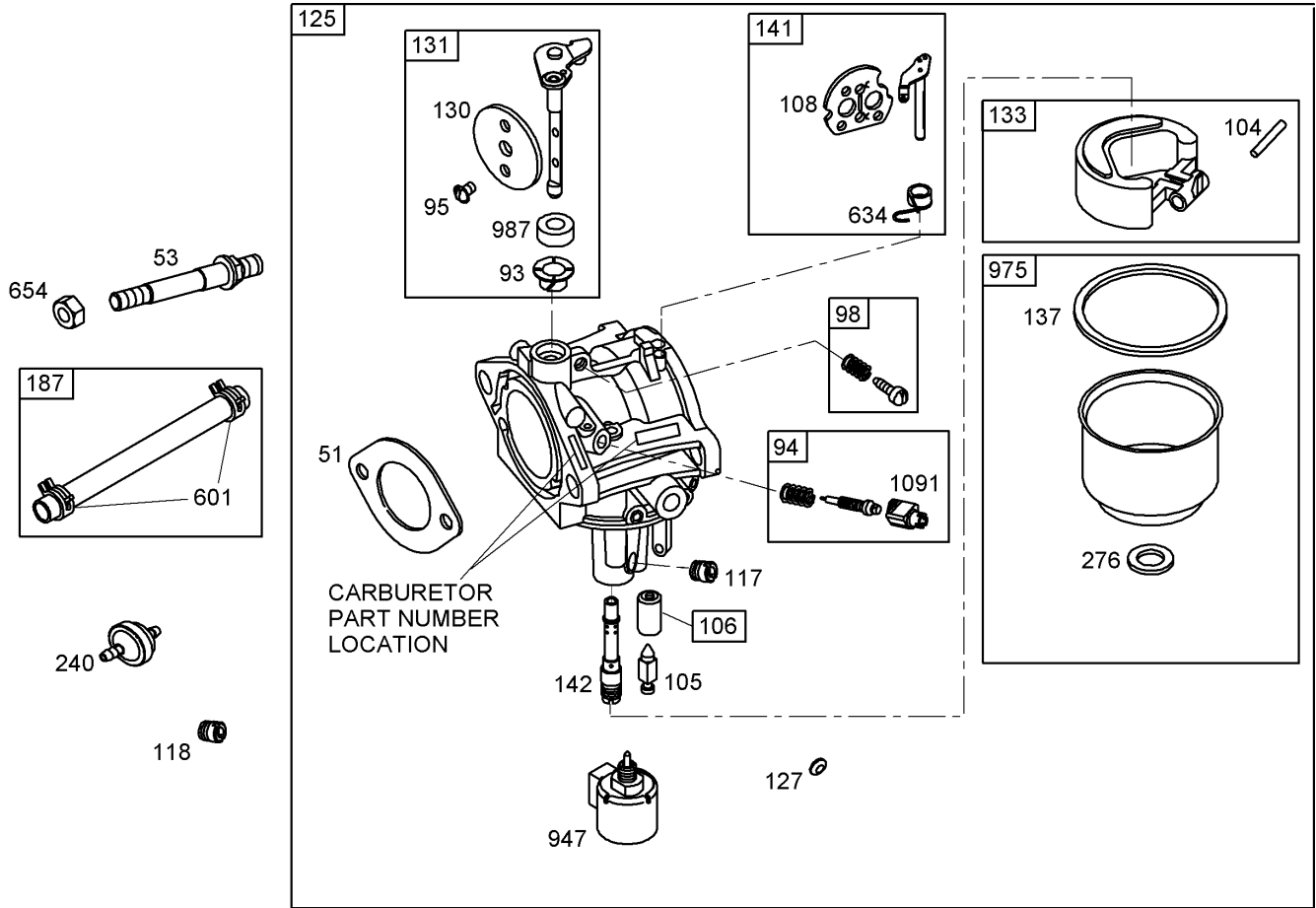


Assemblies include all parts shown in frames

## Oil Filter, Tube and Pump Assembly Briggs and Stratton 31P777-0125-E1

Ref	Part No.	Qty.	Description
⑤523	699908	1	Dipstick
⑤⑤524	691032	1	Seal-O Ring (Dipstick Tube)
⑤525	697184	1	Tube-Dipstick
⑤750	790832	1	Screw (Oil Pump Cover)
⑤⑤842	691031	1	Seal-O Ring (Dipstick)
⑤847	790442	1	Dipstick / Tube ASM
⑤⑤943	690589	1	Seal-O Ring (Oil Pump Cover)
⑤965	499613	1	Cover-Pump, Oil
⑤1024	499054	1	Pump-Oil
⑤1027	492932s	1	Filter-Oil

--	--	--	--

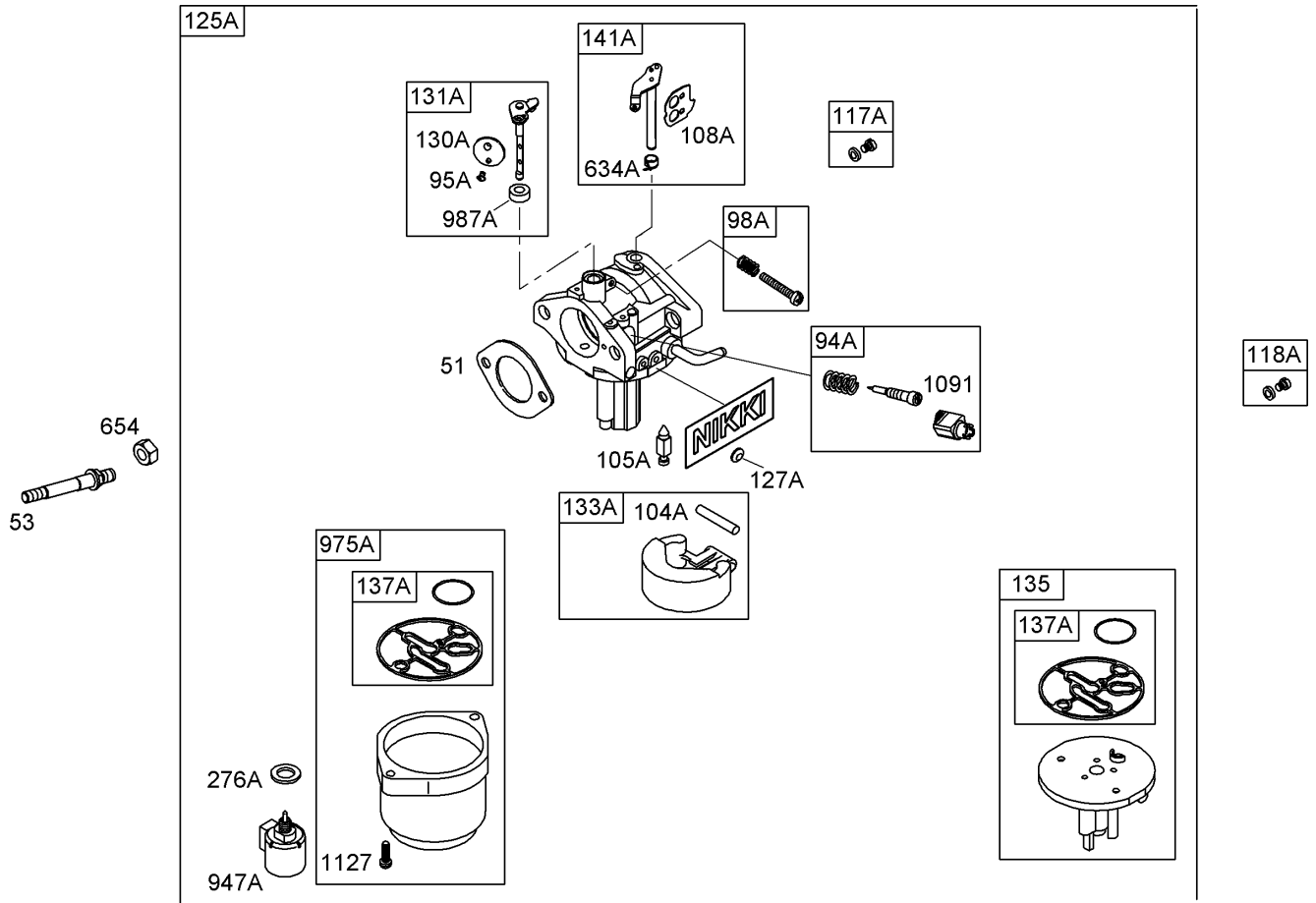


Assemblies include all parts shown in frames

## Carburetor Assembly (Keihin) Briggs and Stratton 31P777-0125-E1

Ref	Part No.	Qty.	Description
4 5 51 6 7	692137	1	Gasket-Intake
3 3 53	690227	1	Stud (Carburetor)
3 4 93 8	690602	1	Bushing-Shaft, Throttle
3 3 94	498030	1	Idle Mixture Kit
3 4 95 8	691636	1	Screw (Throttle Valve)
3 3 98	495800	1	Idle Speed Kit
3 4 104 8	690525	1	Pin-Hinge, Carburetor Float
3 4 105 8	231855s	1	Valve-Float, Needle
3 4 106 8	690577	1	Seat-Inlet
3 3 108	692344	1	Valve-Choke
3 3 117	694352	1	Jet-Main (STD)
3 3 118	697228	1	Jet-Main (High Altitude)
3 3 125	791888	1	Carburetor
3 3 127	695005	1	Plug-Welch
3 3 130	691750	1	Valve-Throttle
3 3 131	494379	1	Throttle Shaft Kit
3 3 133	494381	1	Float-Carburetor
3 4 137 6 8	281165s	1	Gasket-Bowl, Float
3 3 141	495931	1	Choke Shaft Kit

Ref	Part No.	Qty.	Description
3 4 142 8	697140	1	Nozzle-Carburetor
3 3 187	791805	1	Line-Fuel (Cut To Required Length)
3 3 240	394358s	1	Filter-Fuel
3 4 276 6 8	692255	1	Washer-Sealing
3 3 601	791850	1	Clamp-Hose
3 4 634 8	690802	1	Spring And Seal ASM
3 3 654	690958	1	Nut (Carburetor)
3 3 947	694393	1	Solenoid-Fuel
3 3 975	495933	1	Bowl-Float
3 4 987 8	691326	1	Seal-Shaft, Throttle
3 3 1091	691333	1	Cap-Limiter

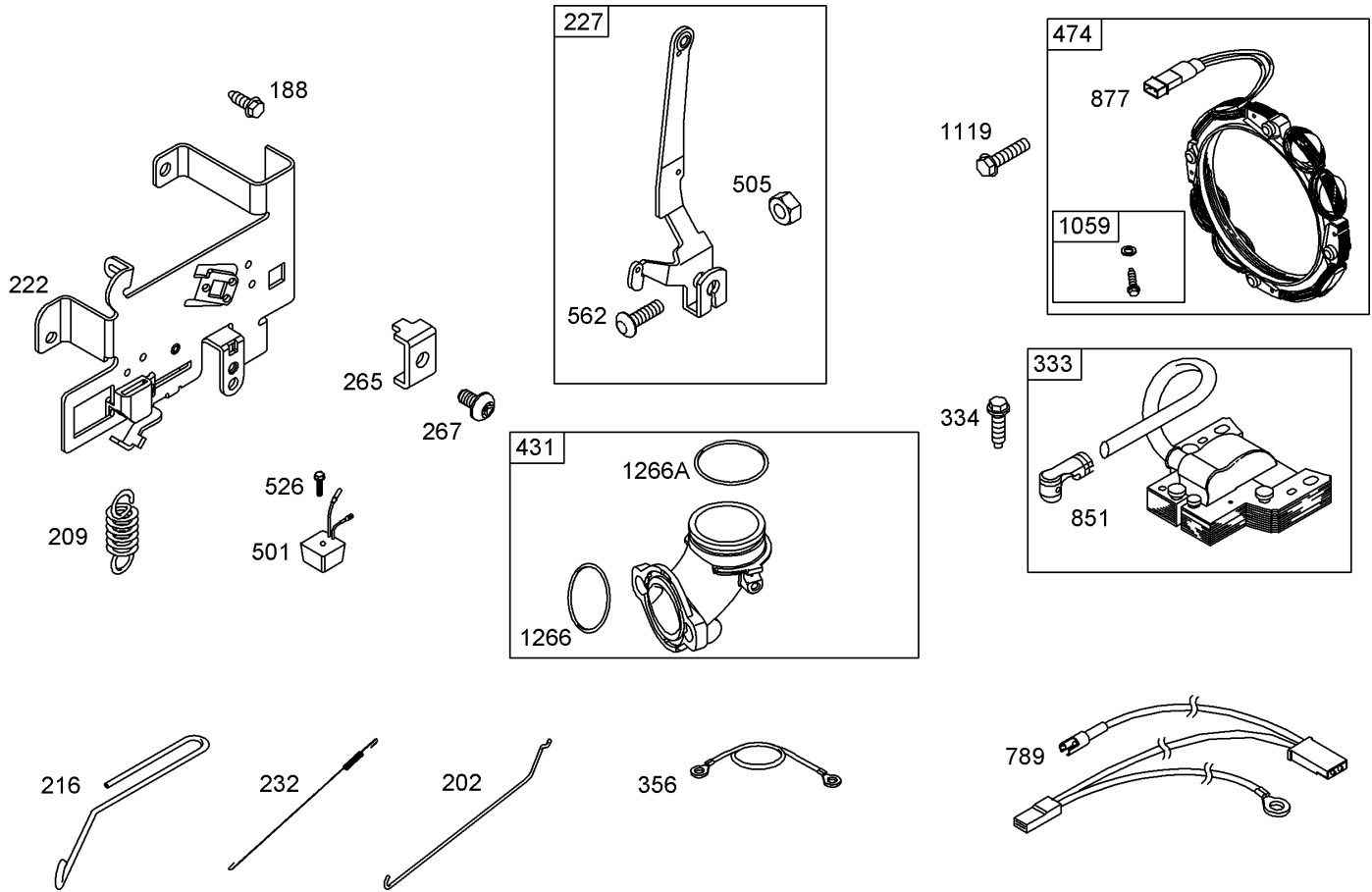


Assemblies include all parts shown in frames

## Carburetor Assembly (Nikki) Briggs and Stratton 31P777-0125-E1

Ref	Part No.	Qty.	Description
5 6 51 7 9	692137	1	Gasket-Intake
9 9 53	690227	1	Stud
9 9 94A	695425	1	Idle Mixture Kit
9 9 95A 10	690718	1	Screw (Throttle Valve)
9 9 98A	695408	1	Idle Speed Kit
9 9 104A	694918	1	Pin-Hinge, Carburetor Float
9 9 105A 10	696136	1	Valve-Needle, Float
9 9 108A	695419	1	Valve-Choke
9 9 117A 10	699457	1	Jet-Main (STD)
9 9 118A	699458	1	Jet-Main (High Altitude)
9 9 125A		1	Carburetor (For Service See Reference 125)
9 9 127A 10	690727	1	Plug-Welch
9 9 130A	699500	1	Valve-Throttle
9 9 131A	699501	1	Throttle Shaft Kit
9 9 133A	694914	1	Pin-Hinge, Carburetor Float
9 9 135	698780	1	Tube-Transfer, Fuel
9 9 137A 10	698781	1	Gasket-Bowl, Float
9 9 141A	695420	1	Choke Shaft Kit
9 9 276A	695410	1	Washer-Sealing

Ref	Part No.	Qty.	Description
9 9 634A 10	698779	1	Spring And Seal ASM
9 9 654	690958	1	Nut
9 9 947A	699915	1	Solenoid, Fuel
9 9 975A	699502	1	Bowl-Float
9 9 987A 10	698777	1	Seal-Shaft, Throttle
9 9 1091	691333	1	Cap-Limiter
9 9 1127	695407	1	Screw (Float Bowl)



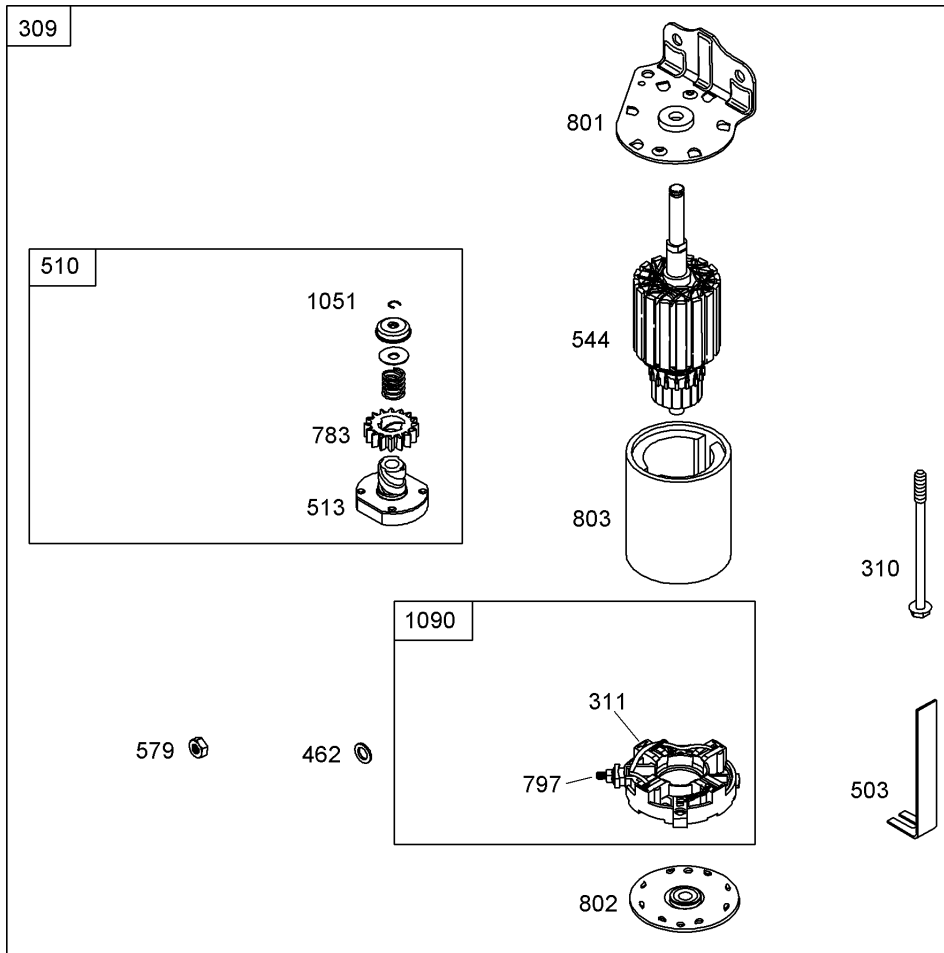
Assemblies include all parts shown in frames

## Governor Assembly Briggs and Stratton 31P777-0125-E1

Ref	Part No.	Qty.	Description
188	691693	1	Screw (Control Bracket)
202	691841	1	Link-Governor, Mechanical
209	692208	1	Spring-Governor
216	691840	1	Link-Choke
222	694042	1	Bracket-Control
227	691374	1	Lever-Control, Governor
232	691842	1	Spring-Link, Governor
265	691024	1	Clamp-Casing
267	695134	1	Screw (Casing Clamp)
333	492341	1	Armature-Magneto
334	691061	1	Screw (Magneto Armature)
356	697089	1	Stop-Wire
431	697122	1	Elbow-Intake (Armature)
474	696457	1	Alternator
501	691188	1	Regulator
505	691251	1	Nut (Governor Control Lever)
526	697088	1	Screw (Regulator)
562	691119	1	Bolt (Governor Control Lever)
789	692037	1	Wiring-Harness
851	493880s	1	Terminal-Spark Plug
877	393537	1	Connector-Wire, Tri Circuit
1059	698516	1	Screw And Washer Kit
1119	691183	1	Screw (Alternator)

Ref	Part No.	Qty.	Description
1266	691917	1	Seal-O Ring (Intake Elbow)
1266A	697123	1	Seal-O Ring (Intake Elbow)

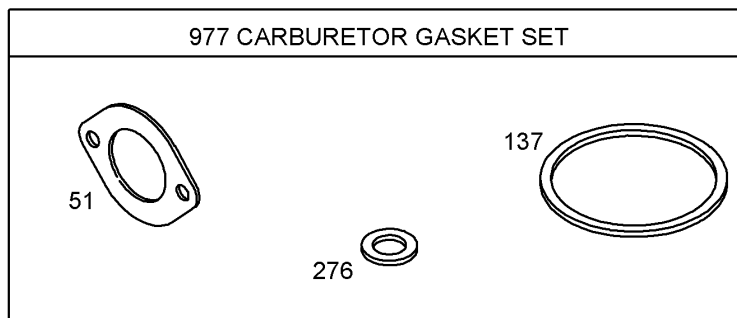
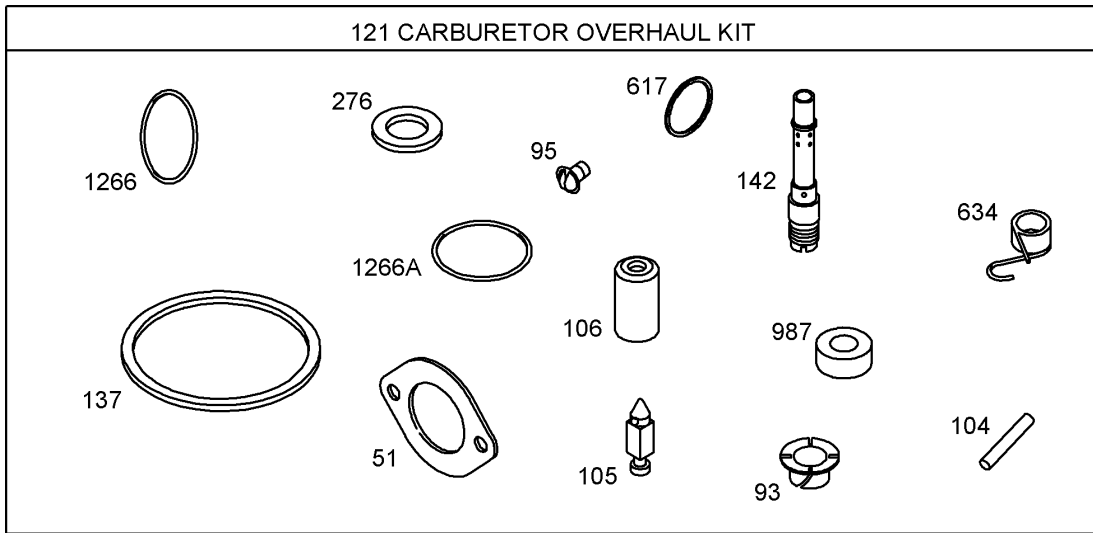




## Starter Assembly Briggs and Stratton 31P777-0125-E1

Ref	Part No.	Qty.	Description
309	693551	1	Motor-Starter
310	690323	1	Bolt (Starter Motor)
311	497608	1	Brush Set
462	691261	1	Washer (Brush Retainer)
503	691532	1	Strap-Starter
510	693699	1	Drive-Starter
513	692024	1	Clutch-Drive
544	693551	1	Armature-Starter (For Service Order 693551)
579	691029	1	Nut (Brush Retainer)
697	690372	1	Screw (Drive Cap)
729	691224	1	Clip-Wire
783	693713	1	Gear-Pinion
797	693167	1	Nut (Brush Retainer)
801	691283	1	Cap-Drive
802	691286	1	Cap-End
803	693551	1	Housing-Starter (For Service Order 693551)
1051	691265	1	Ring-Retaining
1090	691293	1	Retainer-Brush



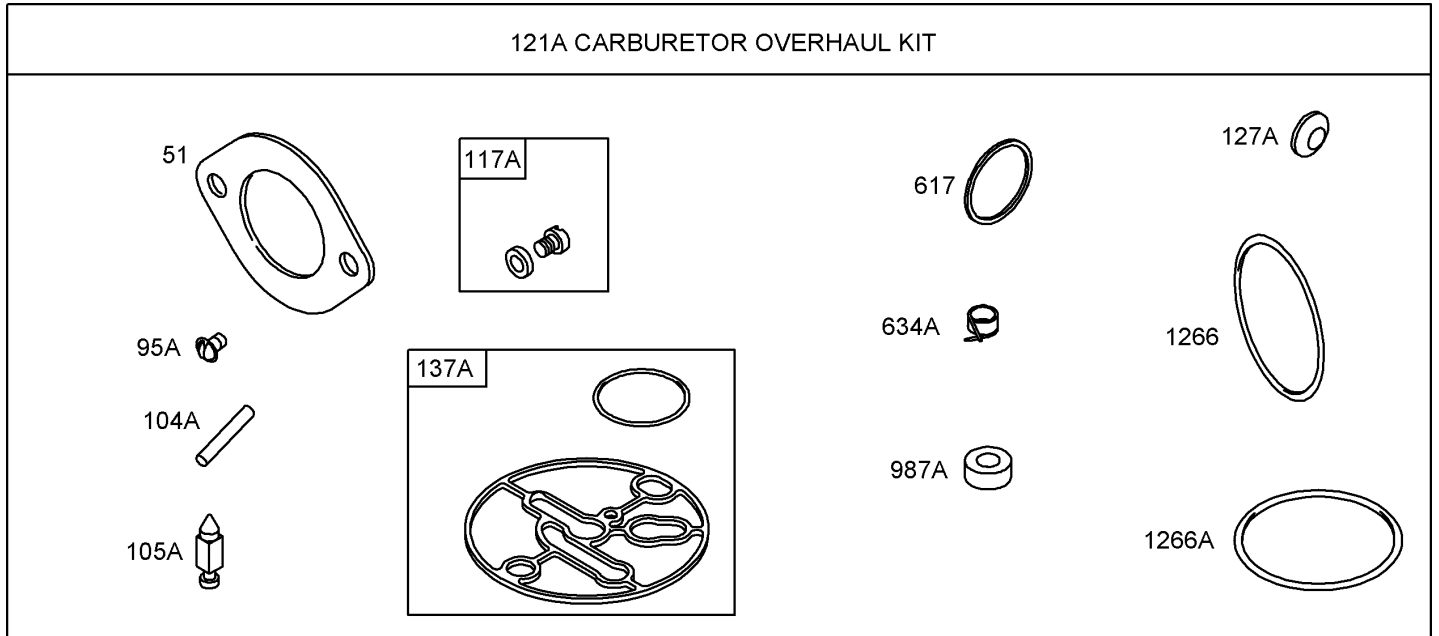



Assemblies include all parts shown in frames

## Carburetor Overhaul Kit (Keihin) Briggs and Stratton 31P777-0125-E1

Ref	Part No.	Qty.	Description
4 5 51 6 7	692137	1	Gasket-Intake
3 4 93 8	690602	1	Bushing-Shaft, Throttle
3 4 95 8	691636	1	Screw (Throttle Valve)
3 4 104 8	690525	1	Pin-Hinge, Carburetor Float
3 4 105 8	231855s	1	Valve-Float, Needle
3 4 106 8	690577	1	Seat-Inlet
3 3 121	697241	1	Carburetor Overhaul Kit
3 4 137 6 8	281165s	1	Gasket-Bowl, Float
3 4 142 8	697140	1	Nozzle-Carburetor
3 4 276 6 8	692255	1	Washer-Sealing
3 4 617 5 8	692138	1	Seal-O Ring (Intake Manifold)
3 4 634 8	690802	1	Spring And Seal ASM
3 3 977	690192	1	Carburetor Gasket Set
3 4 987 8	691326	1	Seal-Shaft, Throttle
3 4 1266 5 8	691917	1	Seal-O Ring (Intake Elbow)

Ref	Part No.	Qty.	Description
3 4 1266A 6	697123	1	Seal-O Ring (Intake Elbow)



Assemblies include all parts shown in frames

## Carburetor Overhaul Kit (Nikki) Briggs and Stratton 31P777-0125-E1

Ref	Part No.	Qty.	Description
5 6 51 7 9	692137	1	Gasket-Intake
9 9 95A 10	690718	1	Screw
9 9 104A 10	694914	1	Pin-Hinge, Carburetor Float
9 9 105A 10	696136	1	Valve-Needle, Float
9 9 117A 10	699457	1	Jet-Main (STD)
9 9 121A	699521	1	Carburetor Overhaul Kit
9 9 127A 10	690727	1	Plug-Welch
9 6 137A 9 10	698781	1	Gasket-Bowl, Float
9 5 617 9 10	692138	1	Seal-O Ring (Intake Manifold)
9 9 634A 10	698779	1	Spring And Seal ASM
9 9 987A 10	698777	1	Seal-Shaft, Throttle
9 5 1266 9 10	691917	1	Seal-O Ring (Intake Elbow)
9 9 1266A 10	697123	1	Seal-O Ring (Intake Elbow)

# Attachments and Accessories

## For 74420 - TimeCutter Z420 Riding Mower

Product Name	Model/Part
Smooth Caster Wheel Kit .....	105-1856
Tire Chains .....	107-1738
Armrest Kit .....	108-6163
42 Inch Deck Ring Kit .....	110-6509
42 Inch Twin Bagger .....	79214
48 Inch Snow Blade .....	79216

# NOTES

# NOTES

# NOTES

