



TimeCutter™ Z530 Riding Mower

Model No. 74425 - 270000001 and up.

Parts Catalog

Ordering Replacement Parts

To order replacement parts, please supply the part number, the quantity, and the description of each part desired.

Understanding Reference Numbers

Each identified part in an illustration has a reference number. The reference number for a part also appears in the parts list, along with other information about the part.

This catalog uses two special reference number formats, one to indicate parts in a service assembly and another to indicate the quantity of a given part in an illustration.

Service Assembly Reference Numbers

Parts in service assemblies have reference numbers in the form a:b. The a represents the reference number of the entire service assembly and the b represents a sequential number unique to each part within the service assembly.

For example, a wheel assembly might be identified by reference number 6, the tire by 6:1, the valve by 6:2, and the wheel by 6:3. When you order the assembly identified by reference number 6, you receive all parts identified by reference numbers 6:1, 6:2, and 6:3. However, you may also order any part individually. Reference numbers of this type appear in illustrations and in part lists.

Reference Numbers Indicating Quantity

In an illustration, if a reference number indicates more than one part, the reference number has the form nX y. The n represents the quantity of the part, the X is the multiplication symbol, and the y represents the reference number.

For example, in an illustration, the reference number 2X 37 means that two of the parts identified by reference number 37 are indicated.

Contents

Description	Page	Description	Page
Frame Assembly	3	Piston and Connecting Rod Assembly Honda GXV530 EXA2LB	23
Seat Assembly	4	Camshaft Assembly Honda GXV530 EXA2LB	24
Control Assembly	5	Fan Cover Assembly Honda GXV530 EXA2LB	25
Hydro and Belt Drive Assembly	6	Carburetor Assembly Honda GXV530 EXA2LB	26
RH Hydro Transaxle Assembly No. 112-4761	7	Exhaust Pipe Assembly Honda GXV530 EXA2LB	27
LH Hydro Transaxle Assembly No. 112-4760	9	Fuel Pump Assembly Honda GXV530 EXA2LB	28
Engine Assembly	11	Flywheel Assembly Honda GXV530 EXA2LB	29
Styling Assembly	12	Ignition Coil Assembly Honda GXV530 EXA2LB	30
42in Deck Assembly	13	Starter Motor Assembly Honda GXV530 EXA2LB	31
42in Deck Assembly No. 110-1890	14	Control Assembly Honda GXV530 EXA2LB	32
Deflector Assembly No. 93-7695	15	Regulator Rectifier and Sub-Wire Harness Assembly Honda GXV530 EXA2LB	33
Recycler Assembly	16	Label Assembly Honda GXV530 EXA2LB	34
Spindle and Belt Drive Assembly	17	Attachments and Accessories List	35
Electrical Assembly	18		
Cylinder Assembly Honda GXV530 EXA2LB	19		
Crankcase Assembly Honda GXV530 EXA2LB	20		
Oil Pan Assembly Honda GXV530 EXA2LB	21		
Crankshaft Assembly Honda GXV530 EXA2LB	22		

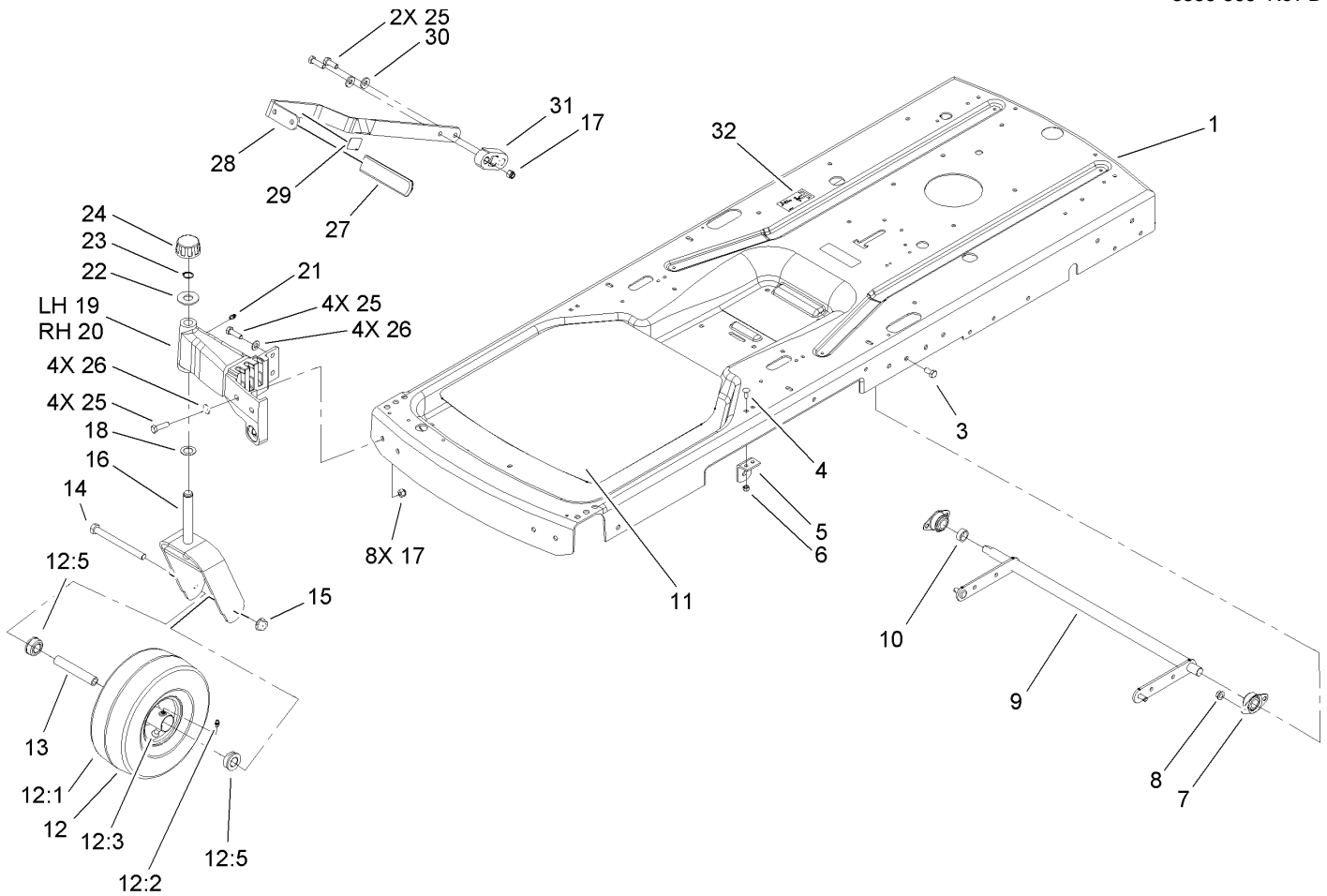
Part Description Abbreviations

Part descriptions in this catalog may include the following abbreviations.

AR. as required	HYD. hydraulic
ASM. assembly	LH. left hand
BBC. blade brake clutch	NI. nylon insert
CARR. carriage	NPTF. national pipe thread fine
DEG. degrees	PFH. phillips flat head
EXT. external	PPH. phillips pan head
FH. flat head	PPHTF. phillips pan head thread forming
GA. gauge	PRH. phillips round head
HD. heavy-duty	PTH. phillips truss head
HF. hex flange	PTO. power-take-off
HH. hex head	RH. right hand
HHF. hex head flange	ROPS. roll-over protection system
HHFTF. hex head flange thread forming	SFH. slotted fillister head
HJ. hex jam	SHH. slotted hex head
HLH. hex lag head	SHWH. slotted hex washer head
HOC. height-of-cut	SPH. slotted pan head
HSBH. hex socket button head	SQH. square head
HSFH. hex socket flat head	SRH. slotted round head
HSH. hex socket head	STD. standard
HWH. hex washer head	TAP. self tapping
HWHTF. hex washer head thread forming	TTH. torx truss head

Footnotes

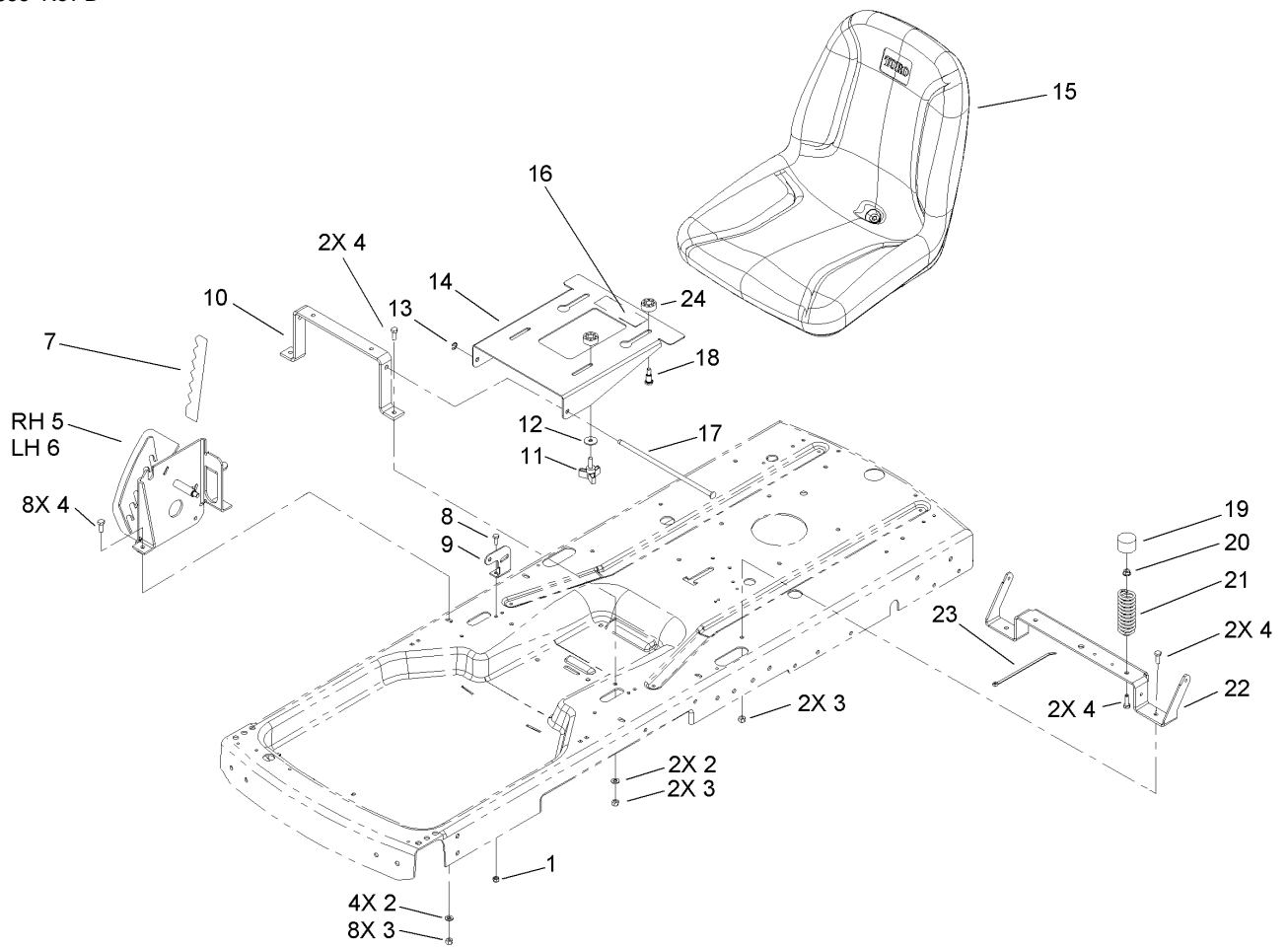
- ❶ Not illustrated
- ❷ Obtain from your local Honda dealer
- ❸ Not serviced separately



Frame Assembly

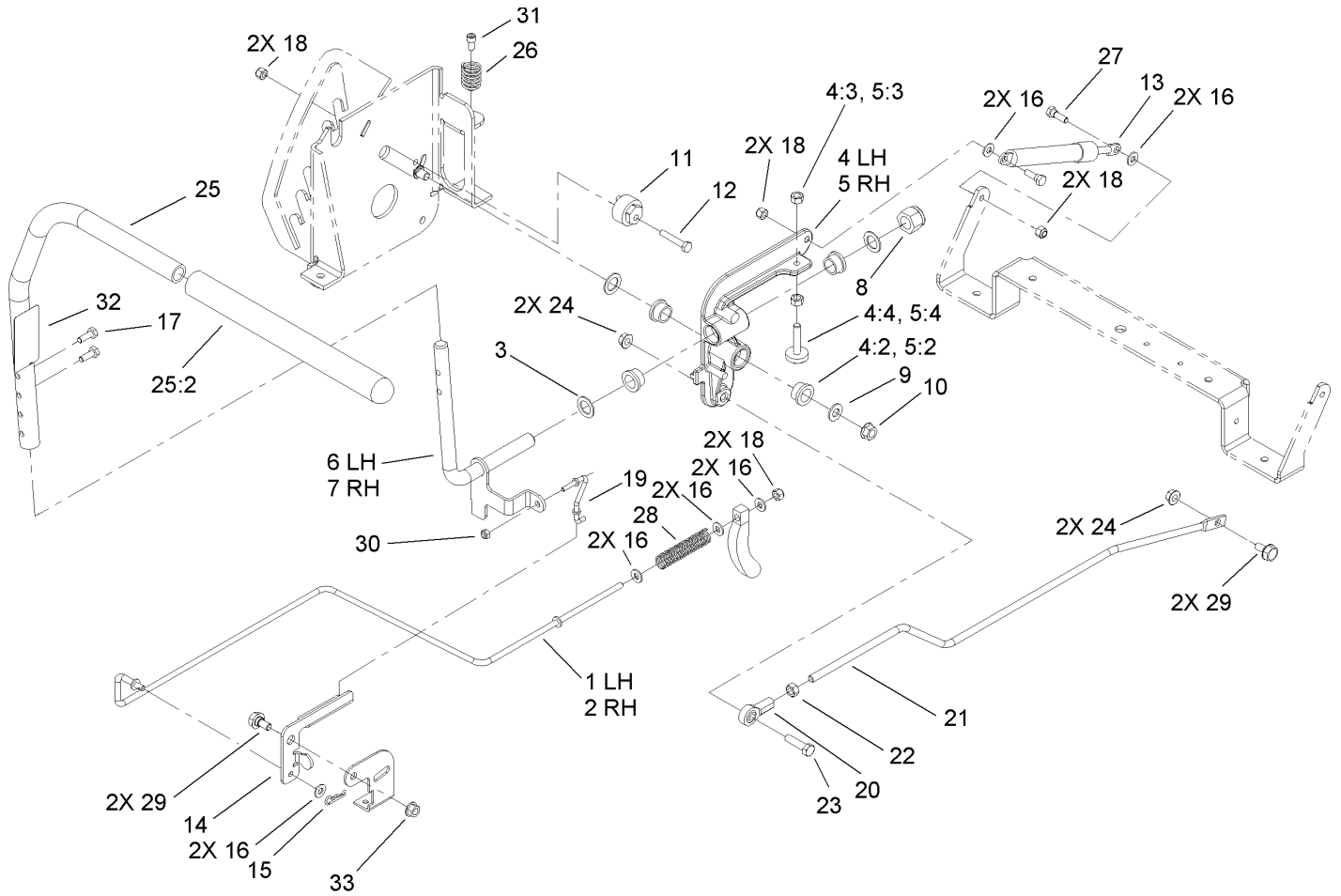
Ref	Part No.	Qty.	Description
1	108-2325-01	1	Frame
3	323-4	4	Screw-HH
4	3229-1	4	Screw-CARR
5	105-3439	2	Bracket-Lift
6	3296-42	4	Nut-Lock, NI
7	1-633102	2	Bearing-Flange, Side
8	3290-357	4	Nut-HHF, Whiz
9	105-3499-03	1	Lift Arm ASM
10	106-2222	1	Spacer
11	105-3460	1	Pad-Antiskid
12	105-3471	2	Front Wheel And Tire ASM
12:1	105-1943	1	Tire
12:2	302-5	1	Fitting-Grease
12:3	232-27	1	Stem-Valve
12:5	114-1640	2	Bushing-Flange
12:99	93-4244	1	Tube-Inner (W/Valve)
13	104-3667	2	Spanner-Wheel
14	325-22	2	Screw-HH
15	32128-23	2	Nut-HF
16	110-6581-01	2	Caster Fork ASM
17	3296-39	9	Nut-Lock, NI
18	3-6498	2	Washer-Thrust
19	105-6986-01	1	Caster-LH
20	105-6985-01	1	Castor-RH

Ref	Part No.	Qty.	Description
21	302-5	2	Fitting-Grease
22	28-2480	2	Washer
23	32151-103	2	Ring-Snap
24	61-9780	2	Cap-Hub
25	323-18	10	Screw-HH
26	3256-24	8	Washer-Flat
27	105-3450	1	Grip-Lever, Lift
28	108-2317-03	1	Lever-Lift
29	106-8743	1	Decal
30	98-5975	2	Washer-Belleville
31	106-2211	1	Block-Lift
32	108-6109	1	Decal-Transport, Ce



Seat Assembly

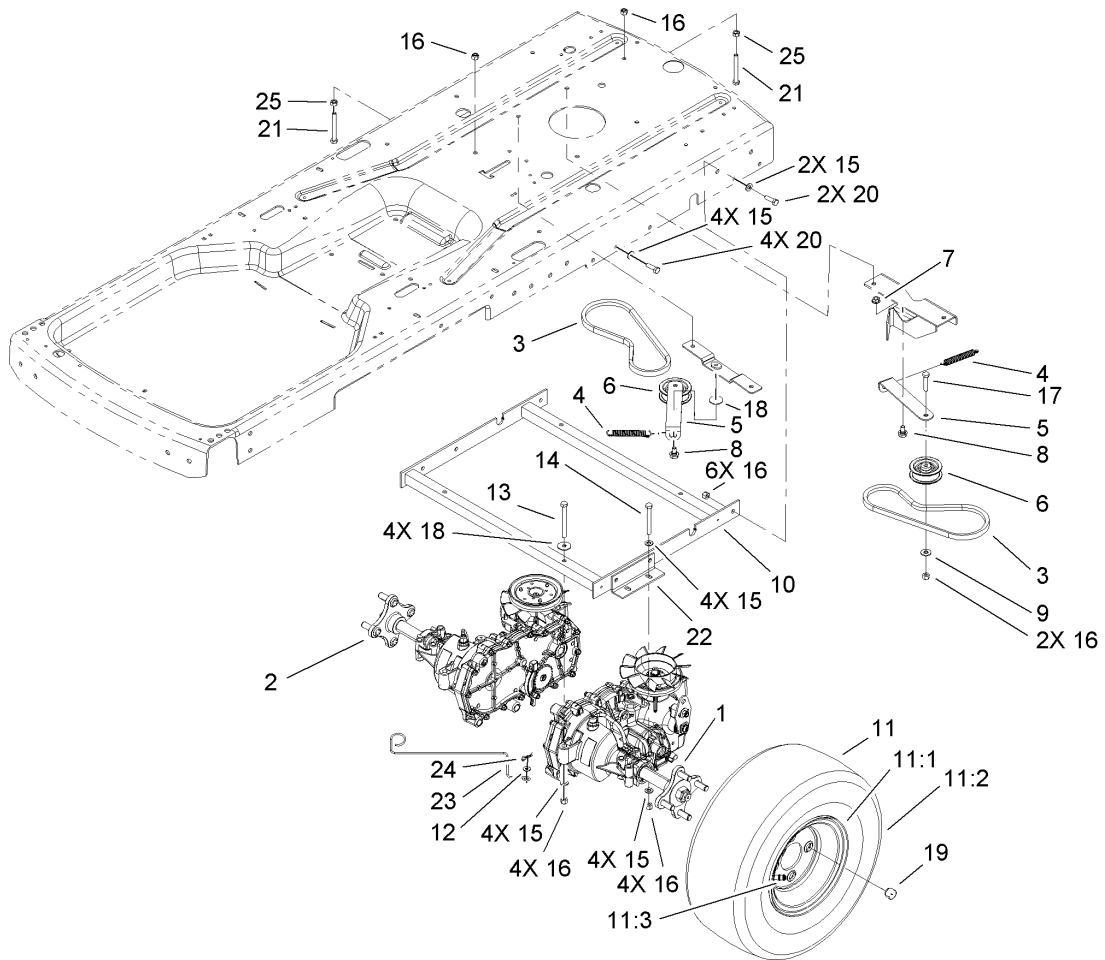
Ref	Part No.	Qty.	Description
1	3296-42	4	Nut-Lock, NI
2	3256-23	6	Washer-Flat
3	3296-29	12	Nut-Lock, NI
4	322-4	14	Screw-HH
5	106-2158-03	1	RH Plate ASM
6	106-2159-03	1	LH Plate ASM
7	106-2223	1	Decal-HOC
8	321-4	4	Screw-HH
9	106-2180	2	Bracket-Bellcrank
10	105-6954-03	1	Brace-Seat, Front
11	106-2240	2	Knob
12	5-4460	2	Washer-Pivot
13	105-7004	1	E-Ring
14	105-6953-03	1	Bracket-Seat
15	110-6772	1	Seat-18 Inch
16	106-8717	1	Decal-Service
17	105-6955	1	Pin-Pivot
18	613529	2	Screw Shoulder
19	701178	2	Cap-Protector
20	32128-25	2	Nut-HF
21	92-7054	2	Spring-Compression
22	108-2358-03	1	Brace-Seat, Rear
23	614249	1	Strap-Tie
24	107-4902	4	Spacer-Nylon



Control Assembly

Ref	Part No.	Qty.	Description
1	105-7045	1	Rod-Brake, LH
2	105-7044	1	Rod-Brake, RH
3	105-3481	6	Washer-Thrust
4	110-1869	1	LH Activator Arm ASM
4:2	105-3455	4	Bushing
4:3	3217-6	2	Nut-Hex
4:4	105-3486	1	Stop-Adjustment
5	110-1870	1	RH Activator Arm ASM
5:2	105-3455	4	Bushing
5:3	3217-6	2	Nut-Hex
5:4	105-3486	1	Stop-Adjustment
6	105-3488	1	LH Pivot Shaft ASM
7	105-3487	1	RH Pivot Shaft ASM
8	3296-53	2	Nut-Lock, NI
9	3256-24	2	Washer-Flat
10	3296-59	2	Nut-Lock, NI
11	107-4874	2	Eccentric
12	321-9	2	Screw-HH
13	103-2913	2	Damper-Control, Motion
14	106-2181	2	Bellcrank
15	1-806003	2	Pin-Hair
16	3256-22	12	Washer-Flat
17	321-4	4	Screw-HH
18	3296-42	8	Nut-Lock, NI

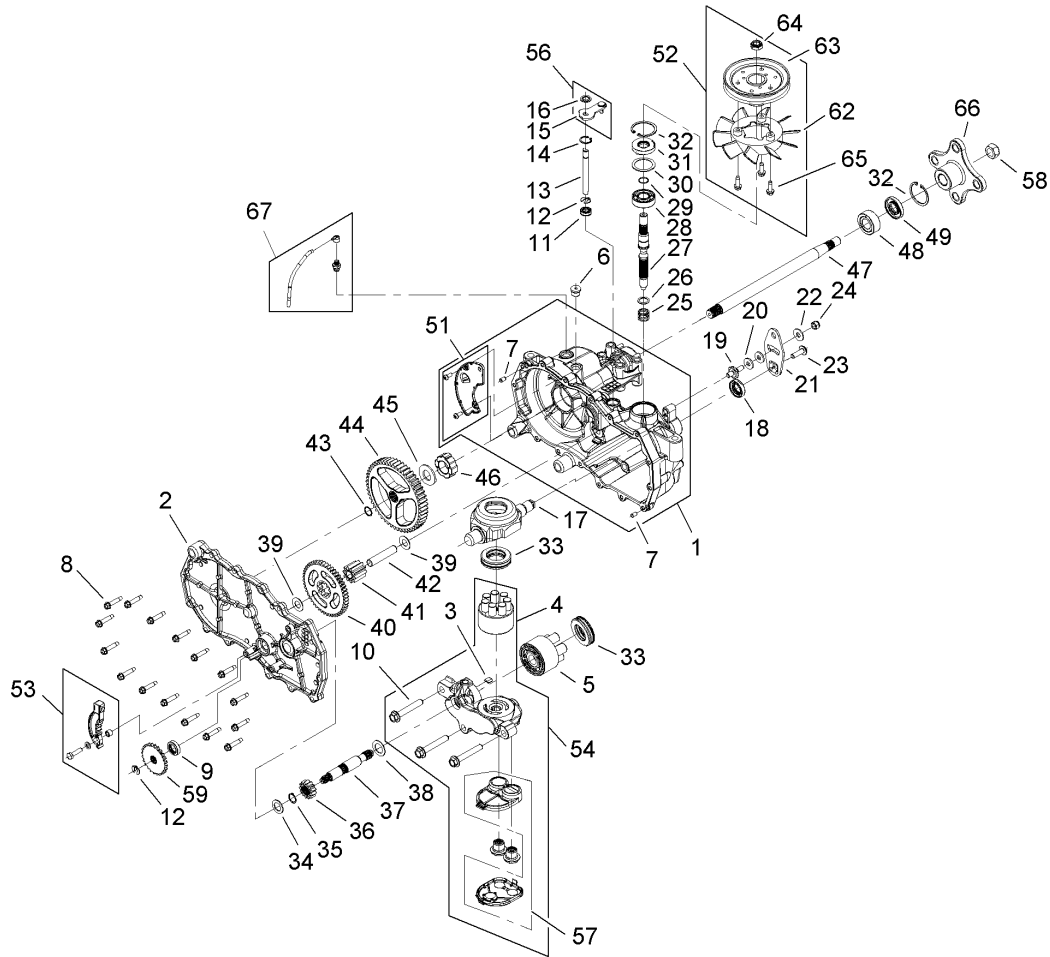
Ref	Part No.	Qty.	Description
19	106-2179	2	Link-Brake
20	1-543017	2	Balljoint-RH
21	105-7048	2	Rod-Hydro
22	3219-2	2	Nut-Hex
23	322-6	2	Screw-HH
24	32128-20	4	Nut-HF
25	106-2242	2	Handle ASM
25:2	1-633257	1	Grip-Control, Motion
26	105-3469	2	Spring-Compression
27	106-2214	4	Bolt-Shoulder
28	105-3465	2	Spring-Compression
29	37-8771	4	Bolt-Shoulder
30	3296-2	2	Nut-Lock
31	3274-52	2	Screw-HSH
32	106-8742	2	Decal
33	32128-25	2	Nut-HF



Hydro and Belt Drive Assembly

Ref	Part No.	Qty.	Description
1	112-4760	1	Transaxle-Hydro, LH
2	112-4761	1	Transaxle-Hydro, RH
3	106-2174	2	V-Belt
4	95-3805	2	Spring
5	105-7047	2	Arm-Idler
6	106-2176	2	Pulley-Idler
7	32128-25	1	Nut-HF
8	37-8770	2	Bolt-Shoulder
9	3256-3	2	Washer-Flat
10	107-4878-03	1	Hydro Mount ASM
11	106-7004	2	Wheel And Tire ASM
11:1	242-76	1	Rim
11:2	106-7006	1	Tire
11:3	232-27	1	Stem-Valve
●11:99	107-2491	1	Tube-Tire
12	3256-1	2	Washer-Flat
13	322-20	4	Screw-HH
14	322-13	4	Screw-HH
15	3256-23	18	Washer-Flat
16	3296-29	18	Nut-Lock, NI
17	322-7	2	Screw-HH
18	5-4460	5	Washer-Pivot
19	242-50	8	Nut-Lug
20	322-5	6	Screw-HH

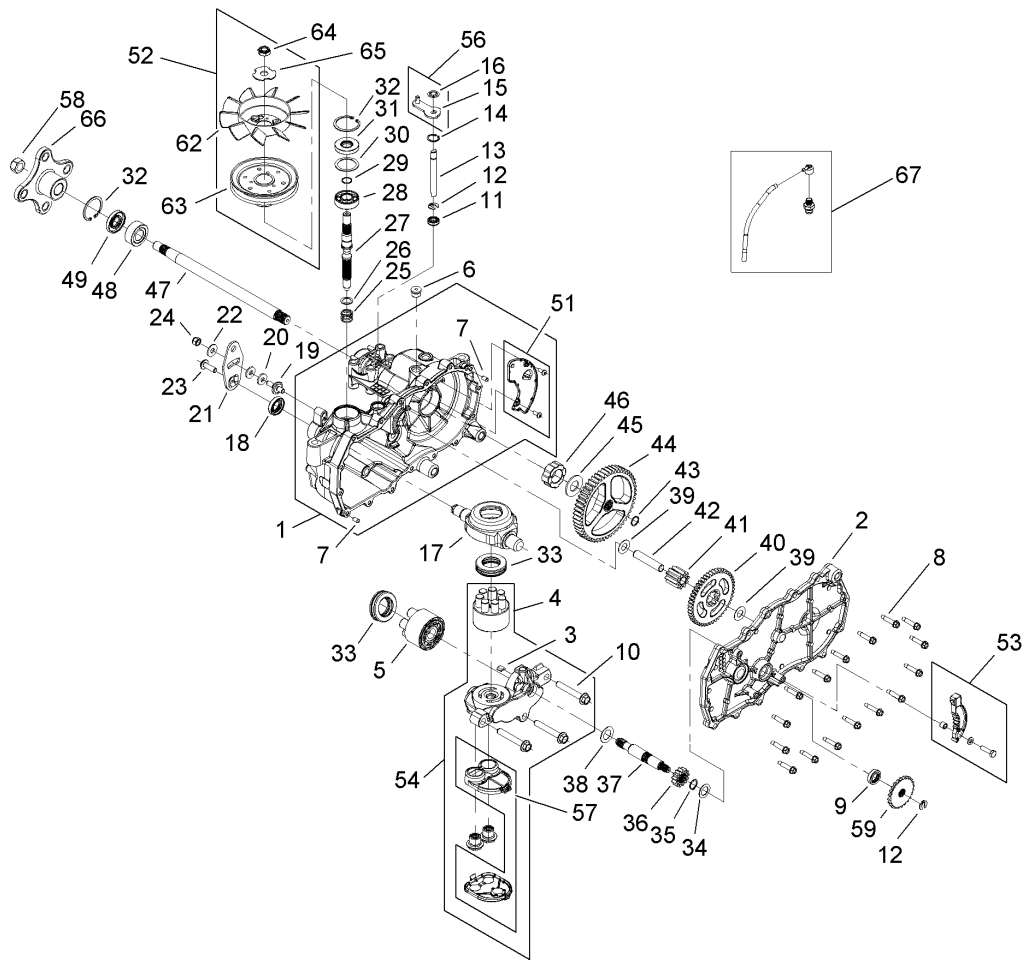
Ref	Part No.	Qty.	Description
21	322-13	2	Screw-HH
22	105-7039-03	2	Support-Hydro
23	107-4875	2	Rod-Bypass
24	1-806003	2	Pin-Hair
25	3217-6	2	Nut-Hex



RH Hydro Transaxle Assembly No. 112-4761

Ref	Part No.	Qty.	Description
1	106-8674	1	LH Main Housing ASM
2	106-8675	1	LH Side ASM
3	110-8560	1	Plate-Bypass
4	110-8561	1	Pump Block ASM
5	104-2106	1	Cylinder Block ASM
6	112-9850	1	Plug
7	104-2170	2	Pin
8	104-5305	16	Screw-HHF
9	112-9851	1	Brake Seal Kit
10	94-6926	3	Bolt
11	106-8676	1	Seal-Lip
12	106-8677	2	Ring-Retaining, EXT
13	106-8678	1	Rod-Bypass
14	106-8679	1	Ring-Retaining, Int
15	112-9852	1	Arm-Bypass
16	106-8681	1	Ring-Retaining, EXT
17	104-5304	1	Swashplate-Trunnion
18	104-5313	1	Seal-Lip
19	104-2116	1	Stud
20	112-9853	1	Puck-Friction
21	106-8747	1	Arm-Control
22	5-4460	1	Washer-Pivot
23	107-2488	1	Screw
24	105-1872	1	Nut

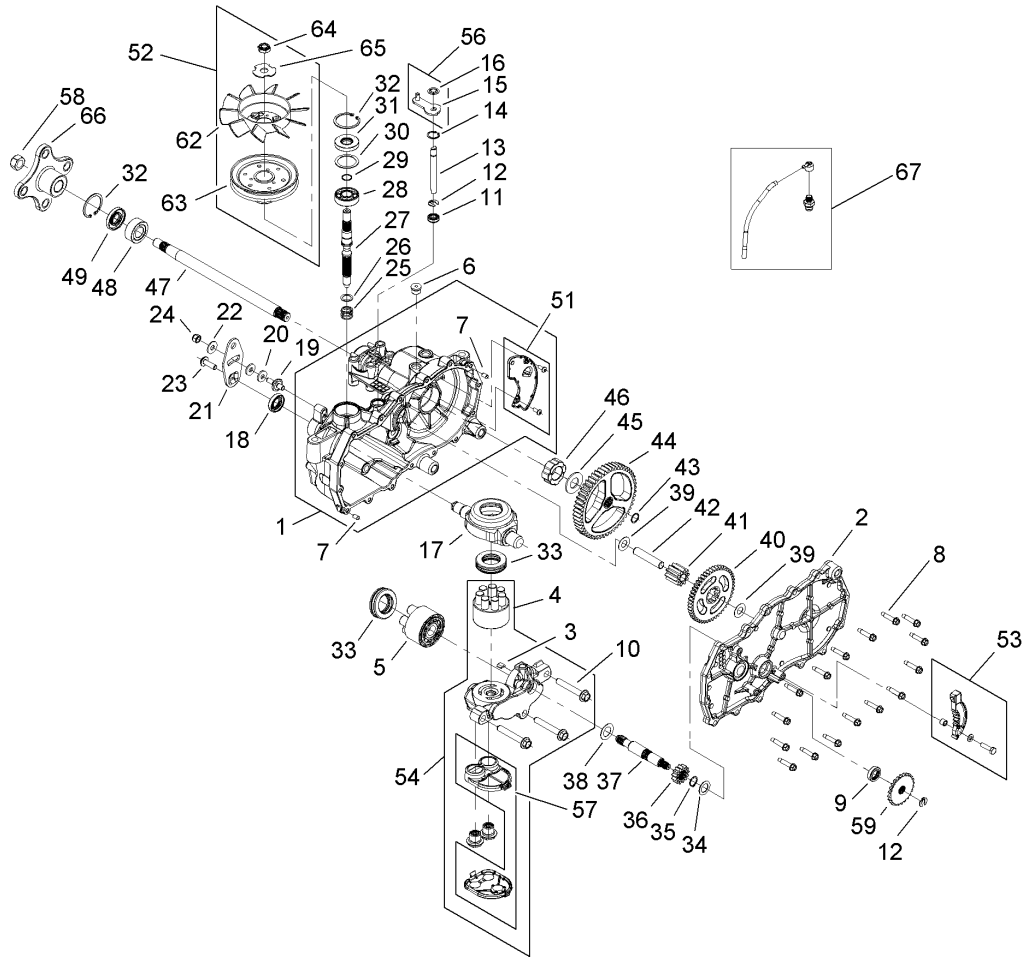
Ref	Part No.	Qty.	Description
25	94-1936	1	Spring-Block
26	94-1937	1	Washer-Block, Thrust
27	104-5306	1	Shaft-Input
28	104-5311	1	Bearing-Ball
29	104-5307	1	Ring-Retaining
30	104-5308	1	Spacer
31	104-5310	1	Seal-Lip
32	104-5309	2	Ring-Retaining
33	94-6922	2	Bearing-Thrust
34	104-5339	1	Washer-Flat
35	104-5340	1	Ring-Retaining
36	104-5316	1	Gear-Pinnion, 13T
37	106-8683	1	Shaft-Motor
38	104-5360	1	Washer-Shaft, Motor
39	94-1933	1	Washer
40	104-5317	1	Gear
41	104-5318	1	Gear-Jackshaft, 10T
42	104-5329	1	Pin-Jackshaft
43	112-9854	1	Ring-Spiral, Retaining
44	112-9855	1	Gear-52T Bull
45	112-9856	1	Washer
46	112-9857	1	Bearing-Sleeve
47	112-9858	1	Shaft-Axle
48	112-9859	1	Bushing-Axle



LH Hydro Transaxle Assembly No. 112-4760

Ref	Part No.	Qty.	Description
1	106-8695	1	RH Main Housing ASM
2	106-8696	1	RH Side ASM
3	110-8560	1	Plate-Bypass
4	110-8561	1	Pump Block ASM
5	104-2106	1	Cylinder Block ASM
6	112-9850	1	Plug
7	104-2170	2	Pin
8	104-5305	16	Screw-HHF
9	112-9851	1	Brake Seal Kit
10	94-6926	3	Bolt
11	106-8676	1	Seal-Lip
12	106-8677	2	Ring-Retaining, EXT
13	106-8678	1	Rod-Bypass
14	106-8679	1	Ring-Retaining, Int
15	107-2490	1	Arm-Bypass
16	106-8681	1	Ring-Retaining, EXT
17	104-5304	1	Swashplate-Trunnion
18	104-5313	1	Seal-Lip
19	104-2116	1	Stud
20	112-9853	1	Puck-Friction
21	106-8747	1	Arm-Control
22	5-4460	1	Washer-Pivot
23	107-2488	1	Screw
24	105-1872	1	Nut

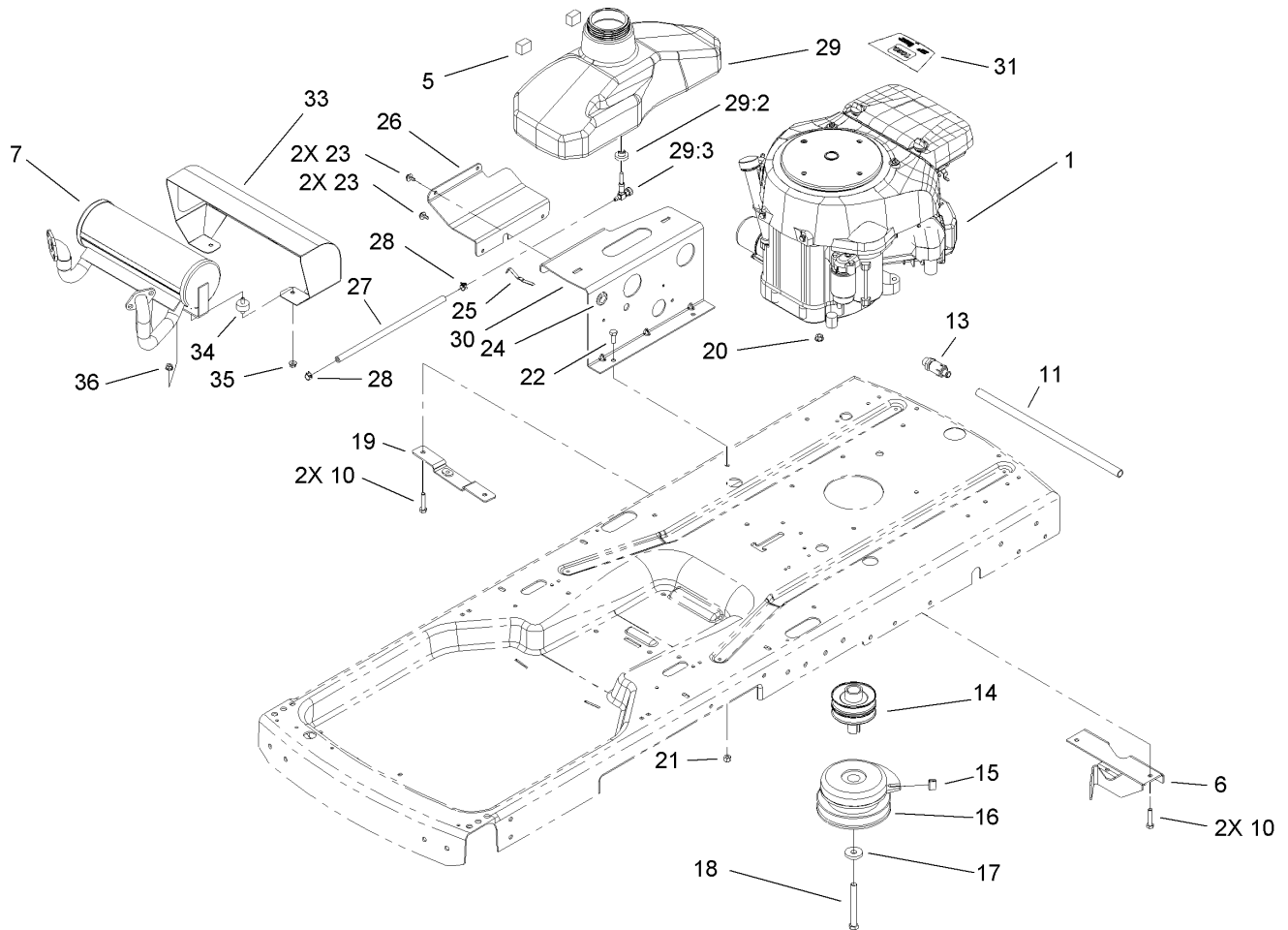
Ref	Part No.	Qty.	Description
25	94-1936	1	Spring-Block
26	94-1937	1	Washer-Block, Thrust
27	104-5306	1	Shaft-Input
28	104-5311	1	Bearing-Ball
29	104-5307	1	Ring-Retaining
30	104-5308	1	Spacer
31	104-5310	1	Seal-Lip
32	104-5309	2	Ring-Retaining
33	94-6922	2	Bearing-Thrust
34	104-5339	1	Washer-Flat
35	104-5340	1	Ring-Retaining
36	104-5316	1	Gear-Pinion, 13T
37	106-8683	1	Shaft-Motor
38	104-5360	1	Washer-Shaft, Motor
39	94-1933	2	Washer
40	104-5317	1	Gear
41	104-5318	1	Gear-Jackshaft, 10T
42	104-5329	1	Pin-Jackshaft
43	112-9854	1	Ring-Spiral, Retaining
44	112-9855	1	Gear-52T Bull
45	112-9856	1	Washer
46	112-9857	1	Bearing-Sleeve
47	112-9858	1	Shaft-Axle
48	112-9859	1	Bushing-Axle



LH Hydro Transaxle Assembly No. 112-4760 (continued)

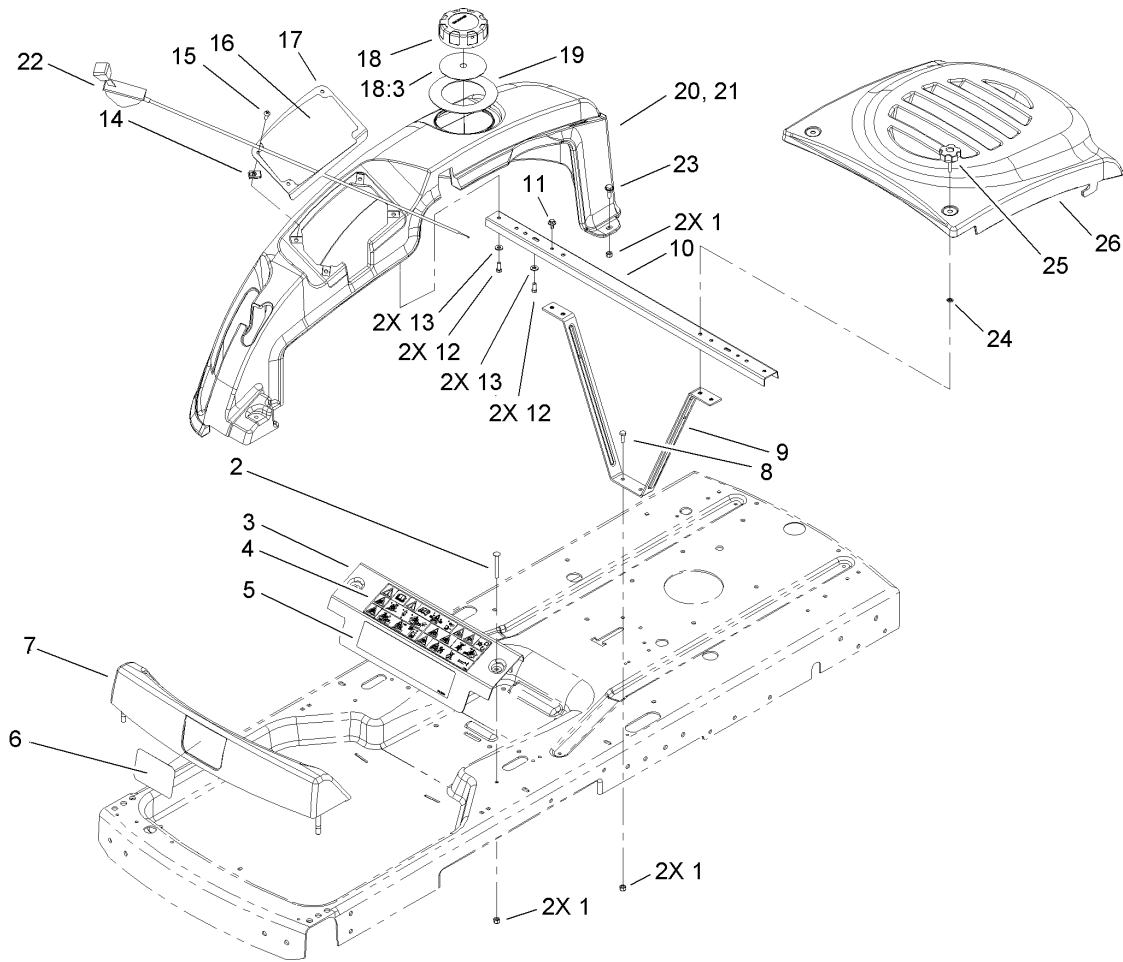
Ref	Part No.	Qty.	Description
49	112-9860	1	Seal-Lip
❶50	106-8686	1	Seal Kit
51	106-8697	1	RH Expansion Plate Kit
52	106-8698	1	Fan Pulley Kit
53	106-8688	1	Brake Arm Kit
54	112-9861	1	RH Center Section Filter Kit
❶55	112-9863	1	Tube-Sealant
56	107-2489	1	Bypass Arm Kit
57	106-8693	1	Filter Kit
58	110-8563	1	Nut-Lock, HH
59	106-8694	1	Disc-Brake, Cog
❶60	112-9864	1	Hose
❶61	108-8562	1	Pinch-Clamp, Single Ear
62	110-8566	1	Fan-6 Inch, 10 Blade
63	104-1754	1	Pulley
64	105-1875	1	Nut-Lock
65	107-9122	1	Washer-Slotted
66	105-1894	1	Hub ASM
67	112-9866	1	Breather Kit

--	--	--	--



Engine Assembly

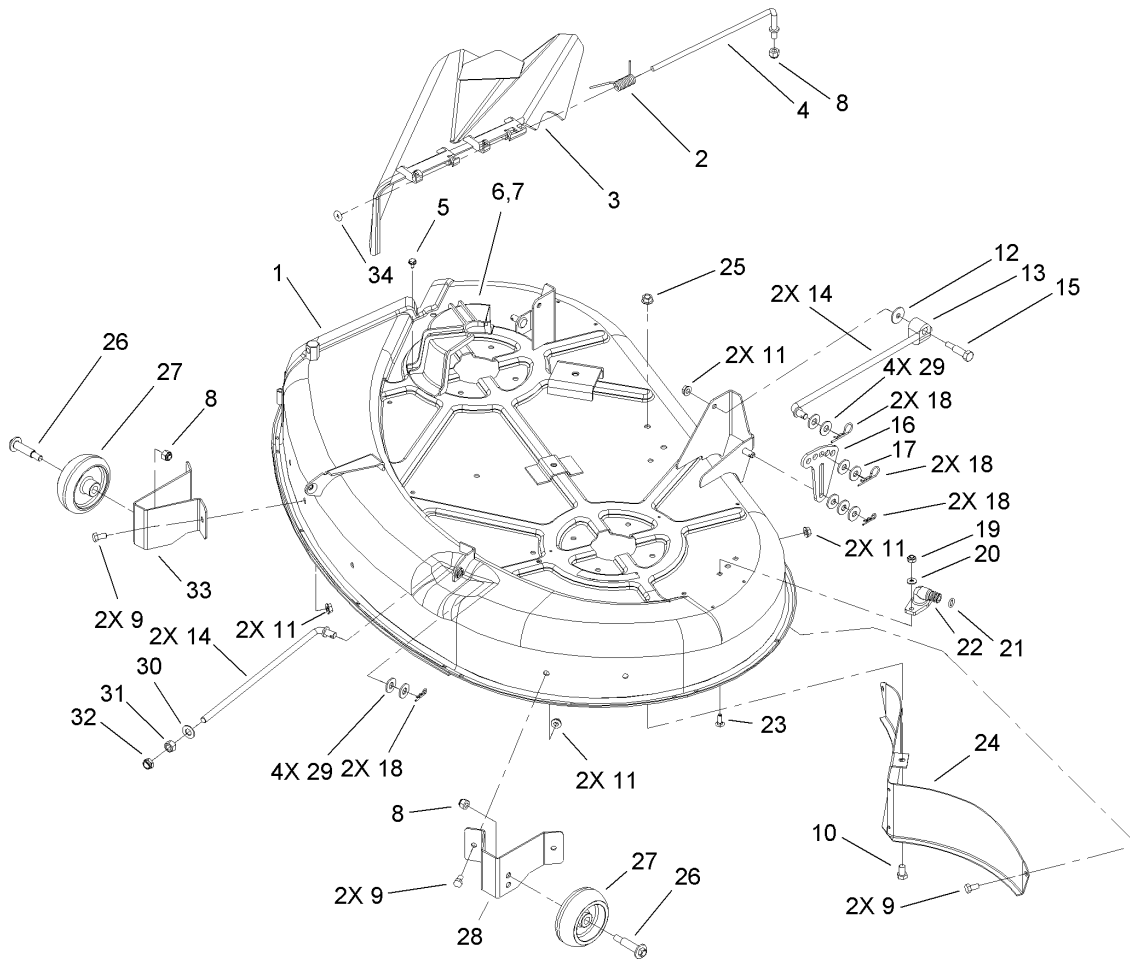
Ref	Part No.	Qty.	Description	Ref	Part No.	Qty.	Description
1		1	Engine-Honda, Gxv 530 Exa2Lb	29:3	110-6565	1	Valve-Fuel
5	104-2488	2	Foam-Switch, Seat	30	108-2314-03	1	Plate-Tank
6	107-4873	1	Bracket-Pivot	31	110-6548	1	Decal
7	110-8625	1	Muffler	33	110-8623-03	1	Shield-Muffler
10	322-9	4	Screw-HH	34	108-6183	2	Isolator-Rubber
11	106-7022	1	Tube-Drain, Oil	35	32128-32	2	Nut-HHF
13	92-6877	1	Valve-Drain, Oil	36	32128-33	2	Nut-HF
14	105-3472	1	Pulley-Engine				
15	98-5023	1	Bumper				
16	104-3334	1	Clutch-Electric				
17	112843	1	Washer				
18	3212-16	1	Screw-HH				
19	106-2156	1	Plate-Mount, Idler				
20	32128-25	4	Nut-HF				
21	3296-29	2	Nut-Lock, NI				
22	322-4	2	Screw-HH				
23	46-8560	4	Screw-HHF				
24	237-124	1	Grommet				
25	609830	2	Spring				
26	108-2315-03	1	Plate-Support				
27	110-1876	1	Hose-Fuel				
28	2412-98	2	Clamp				
29	105-3464	1	Gas Tank ASM				
29:2	46-6560	1	Bushing				



Styling Assembly

Ref	Part No.	Qty.	Description
1	3296-42	6	Nut-Lock, NI
2	3229-7	2	Screw-CARR
3	106-2164-03	1	Bracket-Support, Front
4	110-6567	1	Decal-Danger
5	110-6550	1	Decal
6	105-6971	1	Decal
7	105-6965	1	Footrest ASM
8	321-4	2	Screw-HH
9	106-6994-03	1	Brace ASM
10	108-2313-03	1	Channel-Cross
11	46-8560	2	Screw-HHF
12	46-8090	4	Screw-Plastite
13	3256-22	4	Washer-Flat
14	107069	4	Clip
15	3258-166	4	Screw-PRH
16	106-2224	1	Decal-Control
17	106-2167-03	1	Panel-Control
18	88-3980	1	Gas Cap ASM
18:3	88-4010	1	Gasket-Cap, Gas
19	106-7042	1	Seal-Rubber
20	106-2161	1	Cover-Side, RH
21	106-2162	1	Cover-Side, LH
22	104-8081	1	Cable-Throttle
23	11-9030	2	Screw-Shoulder

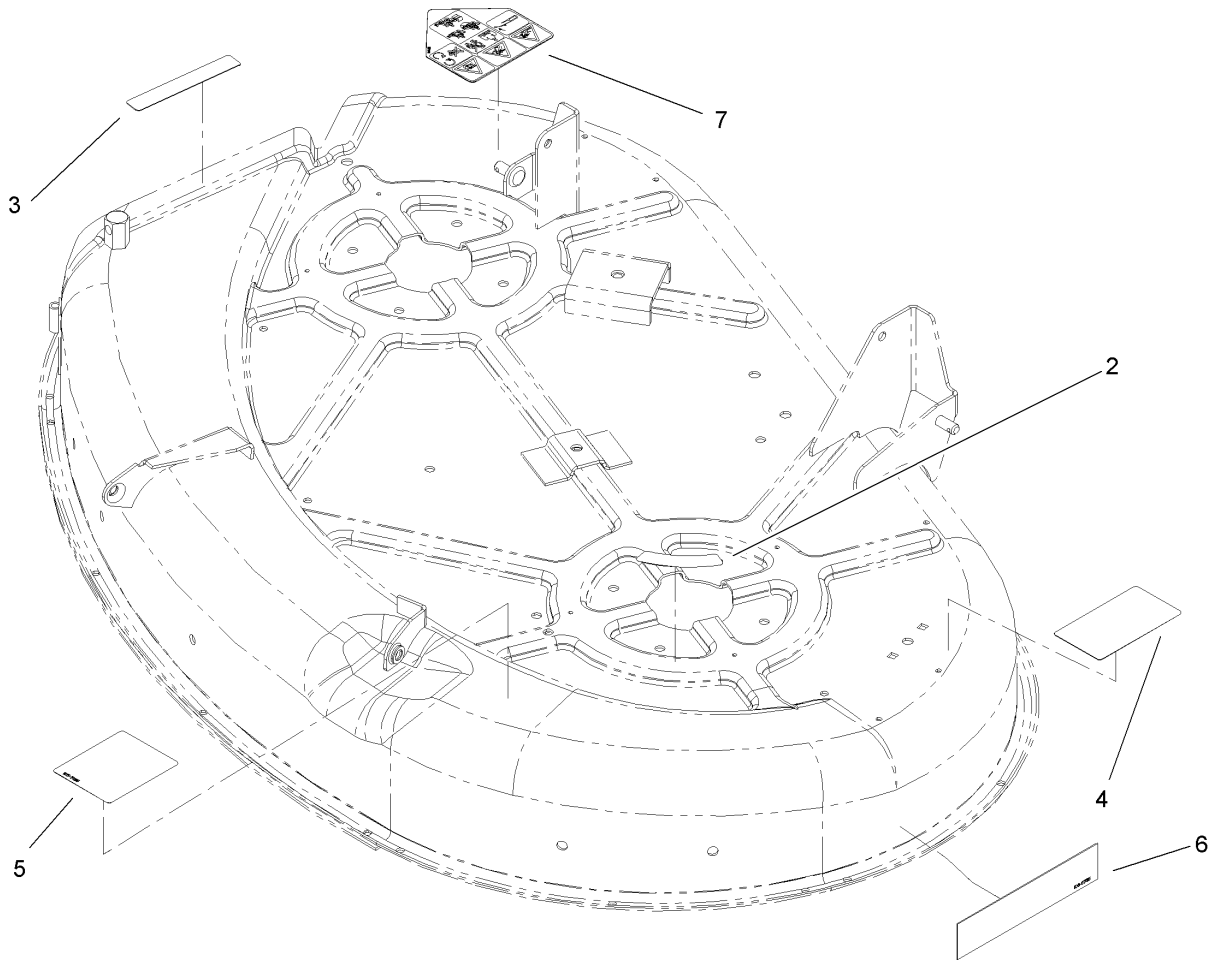
Ref	Part No.	Qty.	Description
24	106-8737	2	Nut-Retainer
25	106-7017	2	Knob
26	110-8608	1	Cover-Engine



42in Deck Assembly

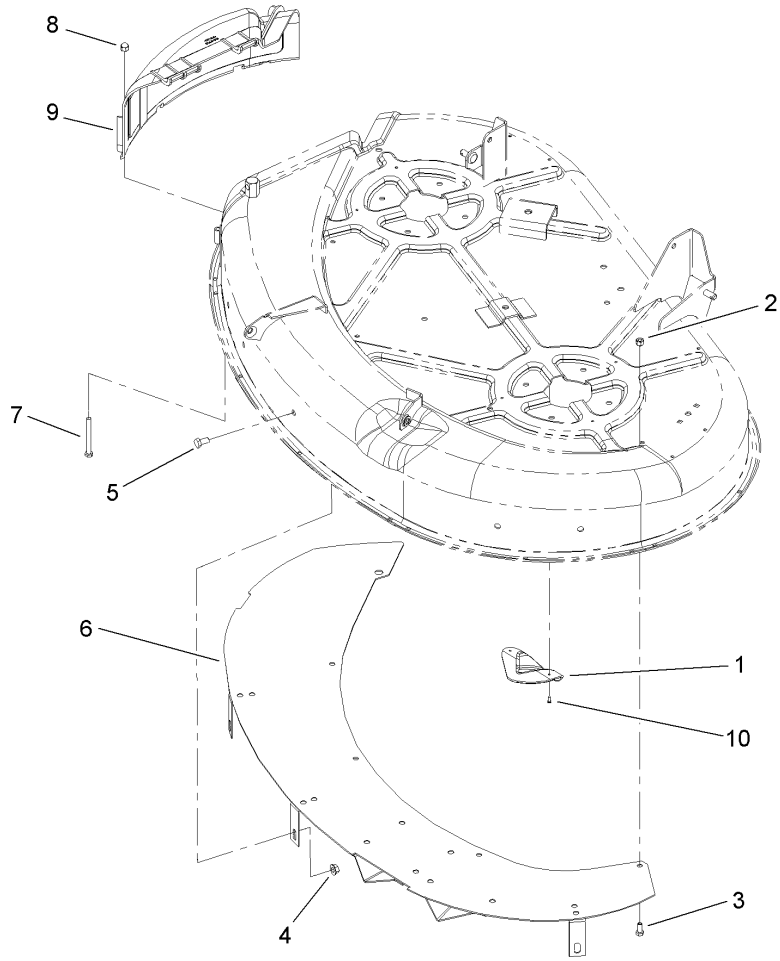
Ref	Part No.	Qty.	Description
1	110-1890	1	42 Inch Deck ASM
2	57-6950	1	Spring
3	93-7695	1	Deflector ASM
4	95-1661	1	Rod-Pivot
5	32104-76	5	Screw
6	88-4030	1	Guide-Belt, Deck (LH)
7	88-4020	1	Guide-Belt, Deck (RH)
8	3296-39	3	Nut-Lock, NI
9	322-2	6	Screw-HH
10	323-34	1	Screw-HH
11	32128-25	8	Nut-HF
12	5-4460	2	Washer-Pivot
13	88-4230	2	Trunnion-HOC
14	105-3437	4	Rod-Hanger
15	7-0030	2	Bolt-Shoulder
16	88-5570-03	2	Link-Adjusting, HOC
17	80-6990	10	Washer-Hardened
18	9335054	8	Pin-Hair
19	3296-42	2	Nut-Lock, NI
20	3256-1	2	Washer-Flat
21	46-6290	1	O-Ring
22	95-2747	1	Fitting-Washout
23	3229-1	2	Screw-CARR
24	108-8513-03	1	Baffle-Rear

Ref	Part No.	Qty.	Description
25	32128-21	1	Nut-HF
26	56-6591	2	Bolt-Wheel
27	701756	2	Wheel-Gage
28	106-8702-03	1	Bracket-Gage Wheel, Front (LH)
29	3256-4	8	Washer-Flat
30	3256-25	2	Washer-Flat
31	3219-4	2	Nut-Hex
32	3296-38	2	Nut-Lock, NI
33	106-8701-03	1	Bracket-Gage Wheel, Front (RH)
34	106-8745	1	O-Ring



42in Deck Assembly No. 110-1890

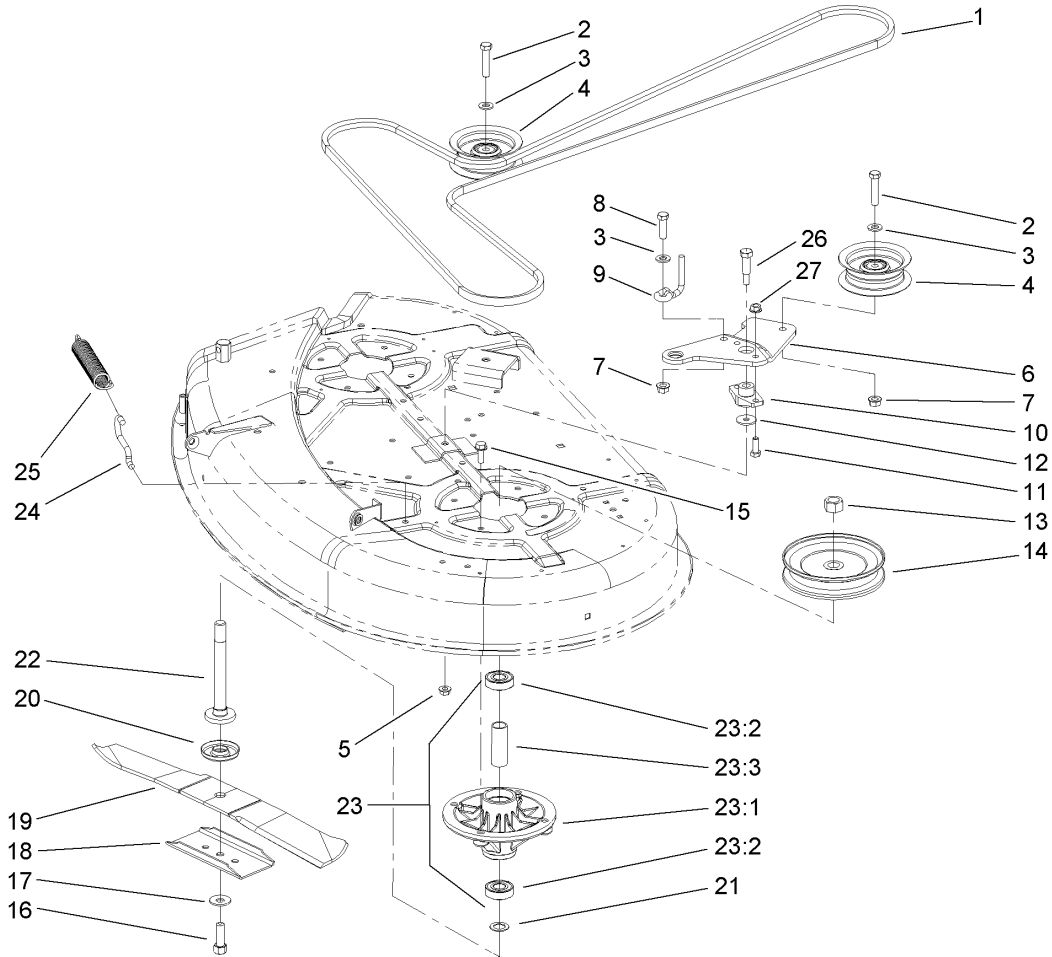
Ref	Part No.	Qty.	Description
2	93-6677	1	Decal-Shield, Danger
3	93-7009	1	Decal-Danger
4	93-7010	1	Decal-Danger
5	105-7015	1	Decal-Routing, Belt
6	106-8735	1	Decal
7	110-1868	1	Decal-Danger, Shield



Recycler Assembly

Ref	Part No.	Qty.	Description
1	76-2160	3	Plate-Kicker
2	3296-42	4	Nut-Lock, NI
3	321-3	4	Screw-HH
4	32128-25	1	Nut-HF
5	322-2	1	Screw-HH
6	107-7316-03	1	Baffle Upper ASM
7	321-14	2	Screw-HH
8	32111-7	2	Nut-Cap
9	107-2527	1	Cover-Discharge, Deck
10	32144-111	6	Screw-PPH

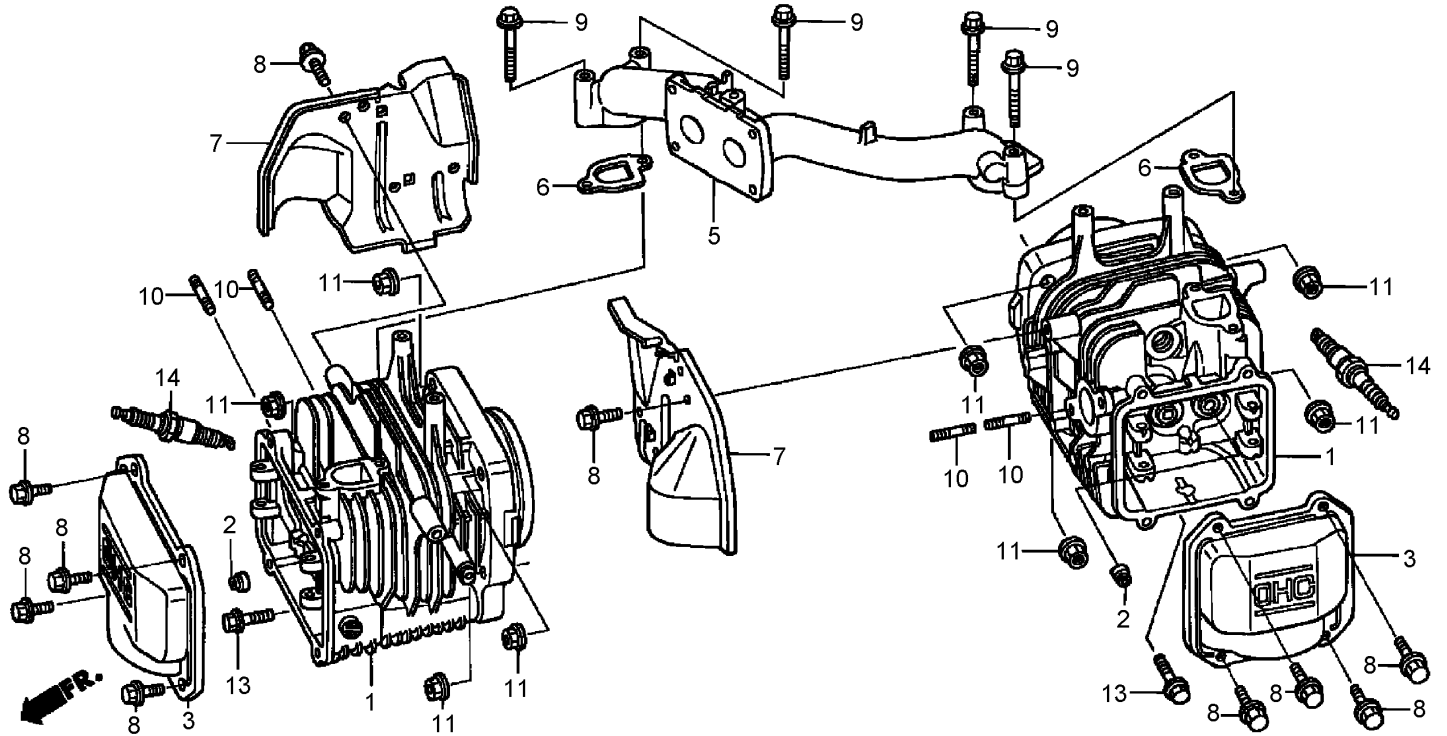
--	--	--	--



Spindle and Belt Drive Assembly

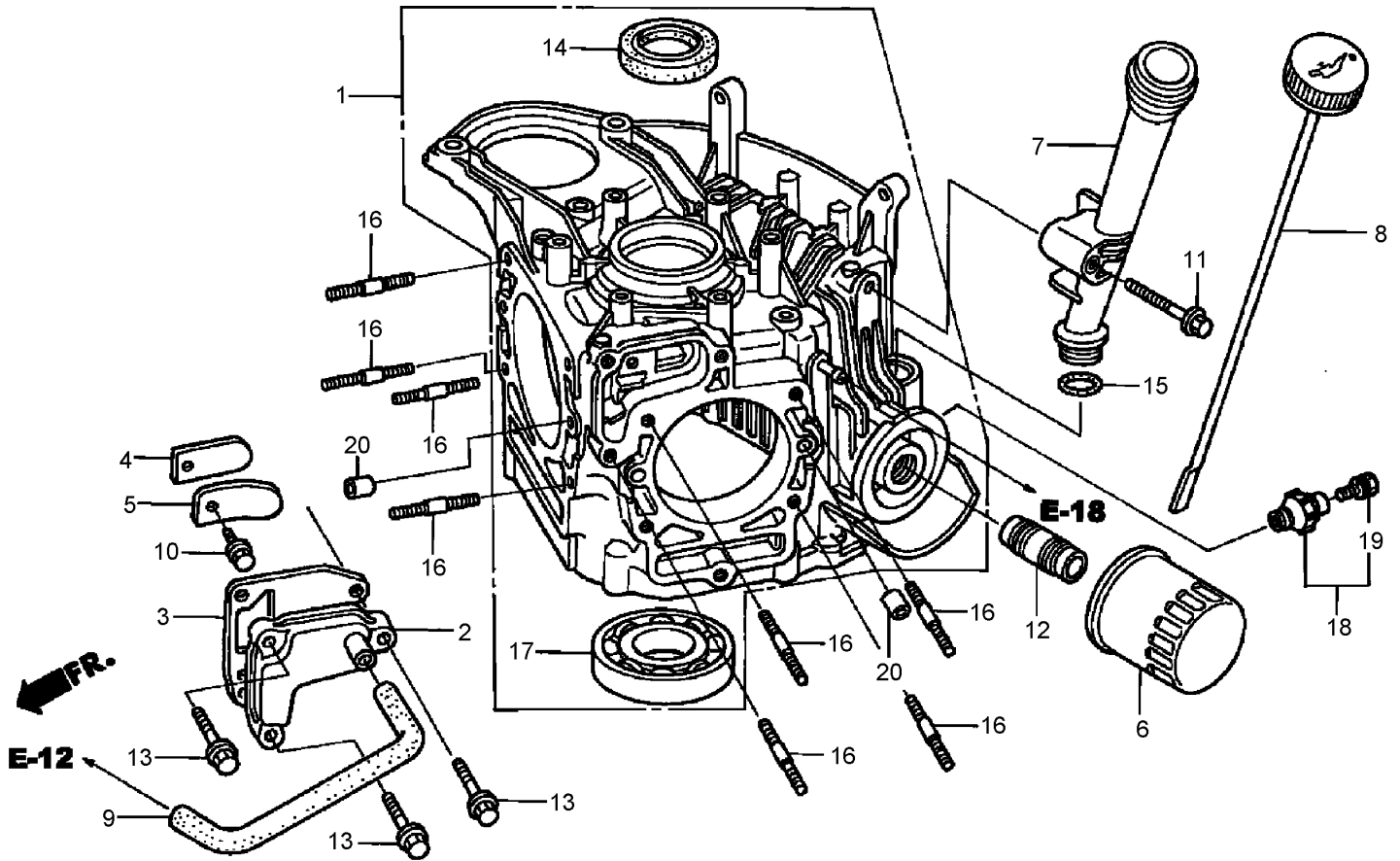
Ref	Part No.	Qty.	Description
1	106-2173	1	Belt-V
2	323-9	2	Screw-HH
3	3256-24	3	Washer-Flat
4	106-2175	2	Pulley-Idler, Flat
5	32128-25	1	Nut-HF
6	107-2467-03	1	Arm-Idler
7	32128-21	2	Nut-HF
8	323-7	1	Screw-HH
9	107-7307	1	Guide-Idler, Belt
10	88-4980	1	Bushing-Arm, Idler
11	322-4	2	Screw-HH
12	5-4460	1	Washer-Pivot
13	3219-6	2	Nut-Hex
14	88-5330	2	Pully-Deck
15	32144-41	8	Screw-Taptite
16	26-0671	2	Screw-Blade
17	3290-465	2	Washer-Belleville
18	106-2248-03	2	Stiffener-Blade
19	106-2247-03	2	Blade
20	80-4360	2	Shield-Bearing
21	80-4380	2	Spacer
22	80-4341	2	Spindle-Shaft
23		2	Spindle ASM
23:1	88-4510	1	Housing-Spindle

Ref	Part No.	Qty.	Description
23:2	100-1048	2	Bearing-Ball
23:3	62-3661	1	Spacer-Bearing
24	88-5970	1	Hook-Return, Spring
25	106-2177	1	Spring-Extension
26	7-0030	1	Bolt-Shoulder
27	3296-29	2	Nut-Lock, NI



Cylinder Assembly Honda GXV530 EXA2LB

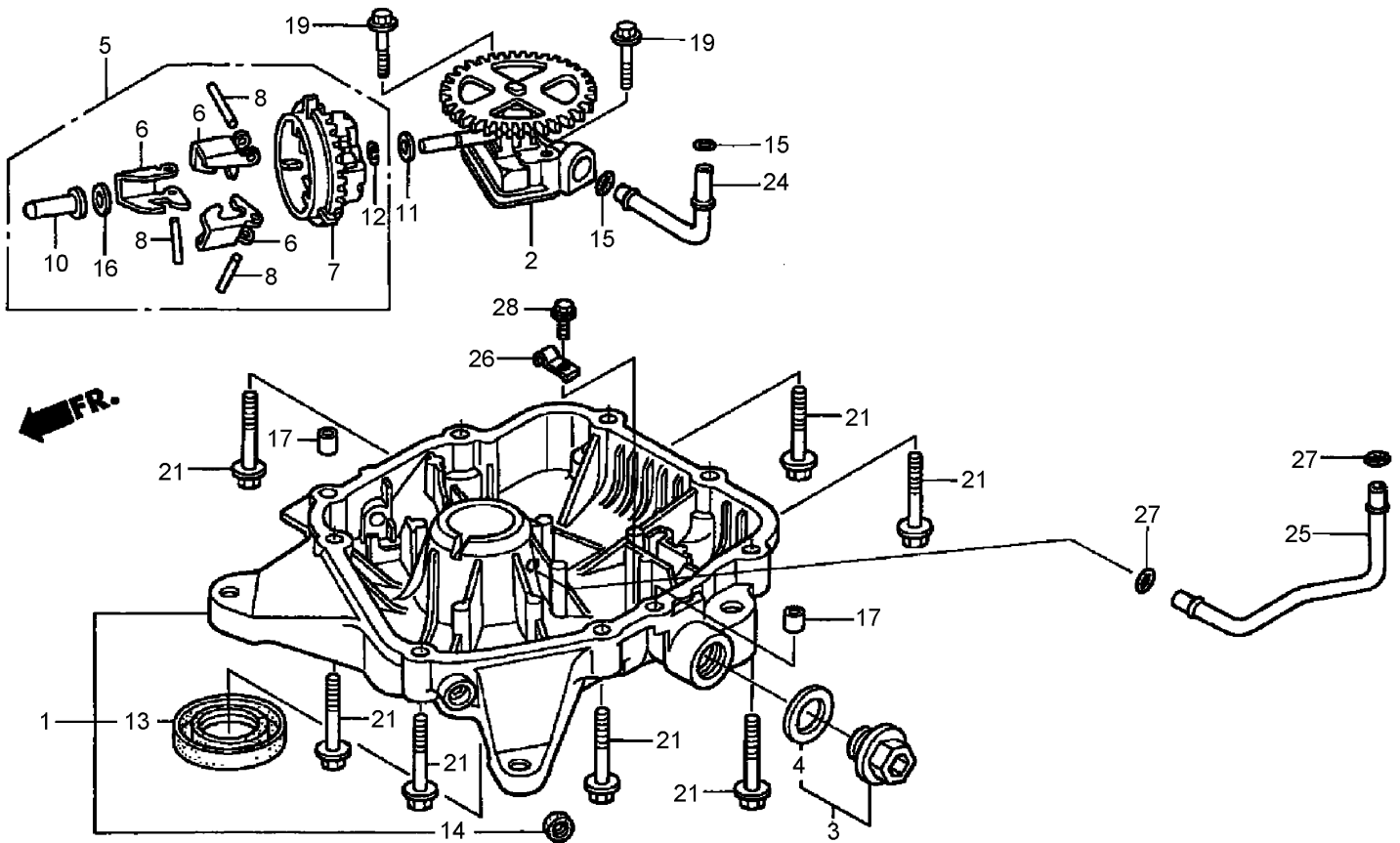
Ref	Part No.	Qty.	Description
❶	12100-Z0A-406	2	Cylinder
❷	12209-422-005	2	Seal-Stem, Valve
❸	12311-Z0A-000	2	Cover-Head
❺	17101-Z0A-000	1	Manifold-Intake
❻	17151-Z0A-000	2	Gasket-Manifold, Intake
❼	19631-Z0A-000	2	Shroud
❸	90013-883-000	10	Bolt-Flange (6X12) (Ct200)
❹	90016-ZE8-000	4	Bolt-Flange (6X45)
❿	90045-892-000	4	Bolt-Stud (6X28)
⓫	90201-Z0A-000	8	Nut-Flange (8Mm)
⓬	95701-06030-00	2	Bolt-Flange (6X30)
⓭	98079-54846	2	Plug-Spark (Bpr4Es)
⓮	98079-54855	2	Plug-Spark (W14Epr-U)
⓯	98079-55846	2	Plug-Spark (Bpr5Es)
⓰	98079-55855	2	Plug-Spark (W16Epr-U)



Crankcase Assembly Honda GXV530 EXA2LB

Ref	Part No.	Qty.	Description
●1	11100-Z0A-409	1	Crankcase ASM (840)
●2	12356-Z0A-000	1	Cover-Breather
●3	12358-Z0A-000	1	Gasket-Cover, Breather
●4	12372-ZA0-701	1	Plate-Valve
●5	12374-Z0A-000	1	Stopper-Valve
●6	15410-MCJ-000	1	Filter-Oil (Toyo Roki)
●7	15631-Z0A-000	1	Extension-Filler, Oil
●8	15655-Z0A-800	1	Dipstick-Oil
●9	15721-Z0A-000	1	Tube-Breather
●10	90002-892-000	1	Bolt-Flange (5X10)
●11	90016-ZE8-000	1	Bolt-Flange (6X45)
●12	90018-PN3-000	1	Holder-Filter, Oil
●13	90121-952-000	3	Bolt-Flange (6X25)

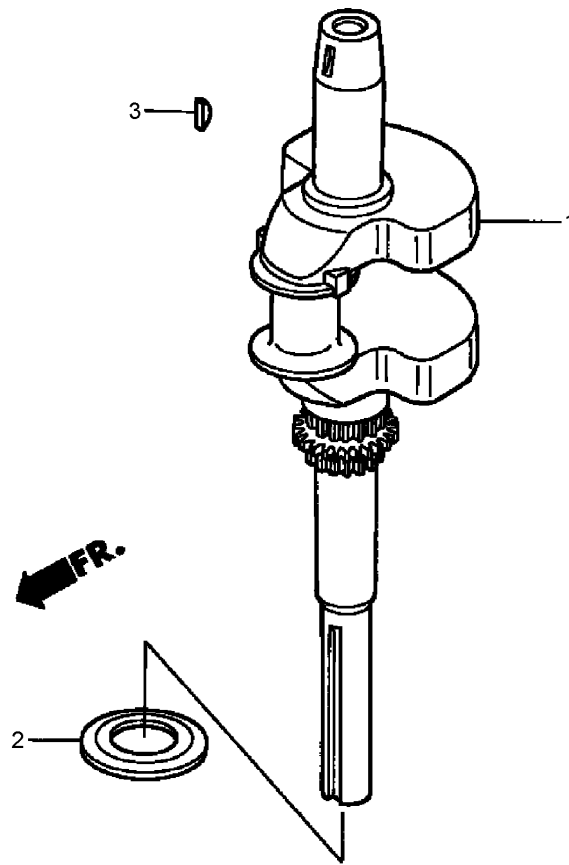
Ref	Part No.	Qty.	Description
●14	91201-ZE3-004	1	Seal-Oil
●15	91301-ZE9-003	1	O-Ring (22.5X2.2)
●16	92900-08028-0E	8	Bolt-Stud (8X28)
●17	96100-62070-00	1	Bearing-Ball, Radial
●18	35490-Z0A-003	1	Oil Pressure Switch ASM
●19	90002-PA6-003	1	Bolt-Washer (4X8)
●20	94301-08140	4	Pin-Dowel (8X14)



Oil Pan Assembly Honda GXV530 EXA2LB

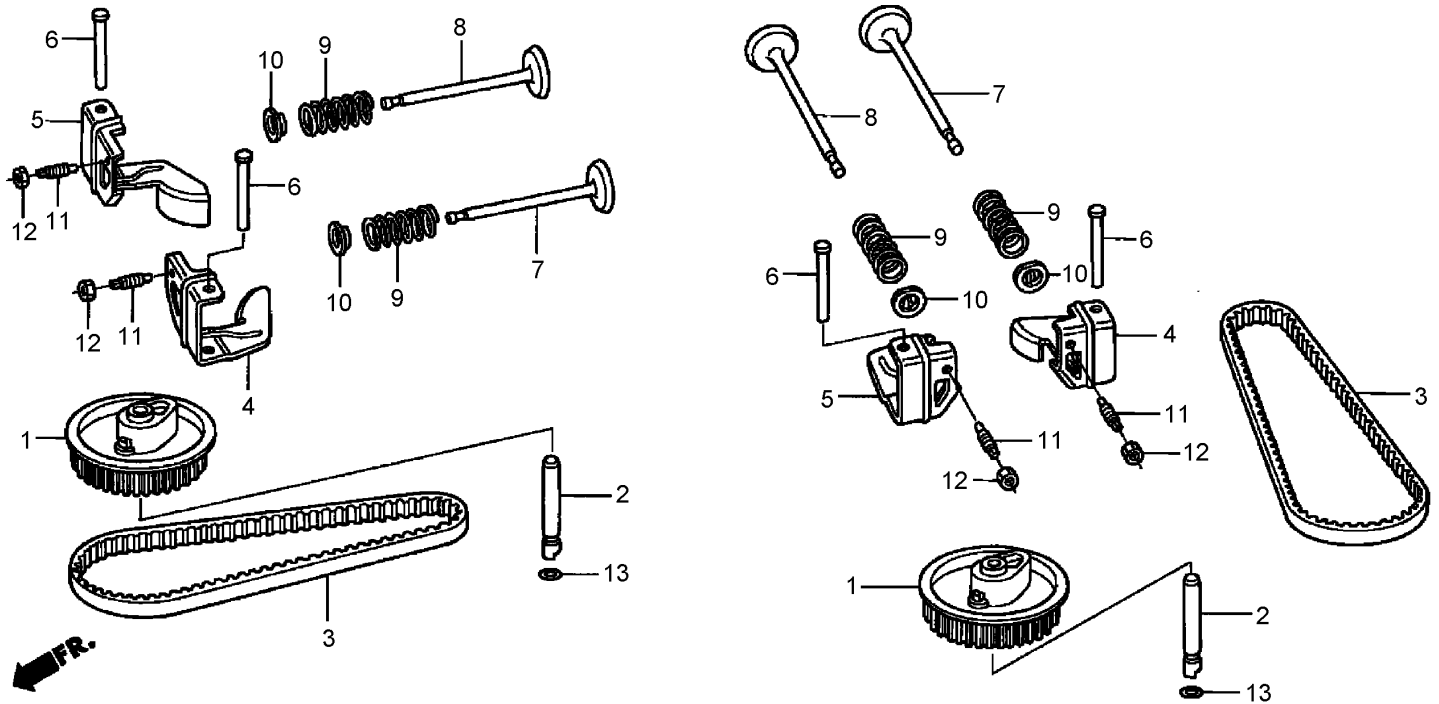
Ref	Part No.	Qty.	Description
❶	11300-Z0A-830	1	Oil Pan ASM
❷	15100-Z0A-811	1	Oil Pump ASM
❸	15550-Z0A-810	1	Drain Cap ASM
❹	15625-ZE1-003	1	Gasket-Cap, Oil Filler
❺	16510-Z0A-000	1	Governor ASM
❻	16511-Z0A-000	3	Weight-Governor
❼	16512-Z0A-000	1	Holder-Weight, Governor
❽	16513-ZE2-000	3	Pin-Weight, Governor
❿	16531-Z0A-000	1	Slider-Governor
⓫	90473-147-000	1	Washer (6X16)
⓬	90602-ZE1-000	1	Clip-Holder, Governor
⓭	91202-Z0A-003	1	Seal-Oil (31X50X8)
⓮	91259-VM0-000	1	Seal-Oil (10X16X4.5)

Ref	Part No.	Qty.	Description
⓯	91301-Z0A-003	2	O-Ring (7.5X2.3)
⓰	94101-06800	1	Washer-Plain (6Mm)
⓱	94301-08140	2	Pin-Dowel (8X14)
⓲	95701-06035-00	1	Bolt-Flange (6X35)
⓳	95701-08040-00	7	Bolt-Flange
⓴	15161-Z0A-000	1	Pipe-Pump, Oil
⓵	15162-Z0A-800	1	Pipe-Supply, Oil
⓶	15163-Z0A-000	1	Holder-Pipe, Oil
⓷	91302-Z0A-003	2	O-Ring (5.8X2)
⓸	95701-06012-00	1	Bolt-Flange



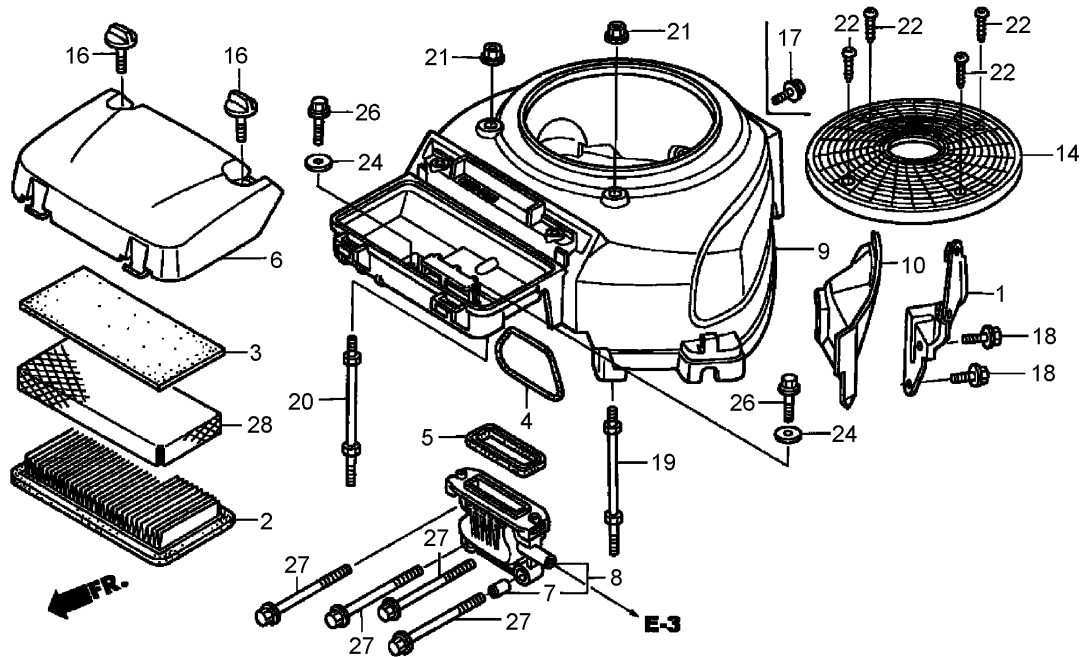
Crankshaft Assembly Honda GXV530 EXA2LB

Ref	Part No.	Qty.	Description				
❶	13310-Z0A-800	1	Crankshaft				
❷	90401-Z0A-000	1	Washer-Thrust				
❸	90741-ZE2-000	1	Key-Woodruff (25X18)				



Camshaft Assembly Honda GXV530 EXA2LB

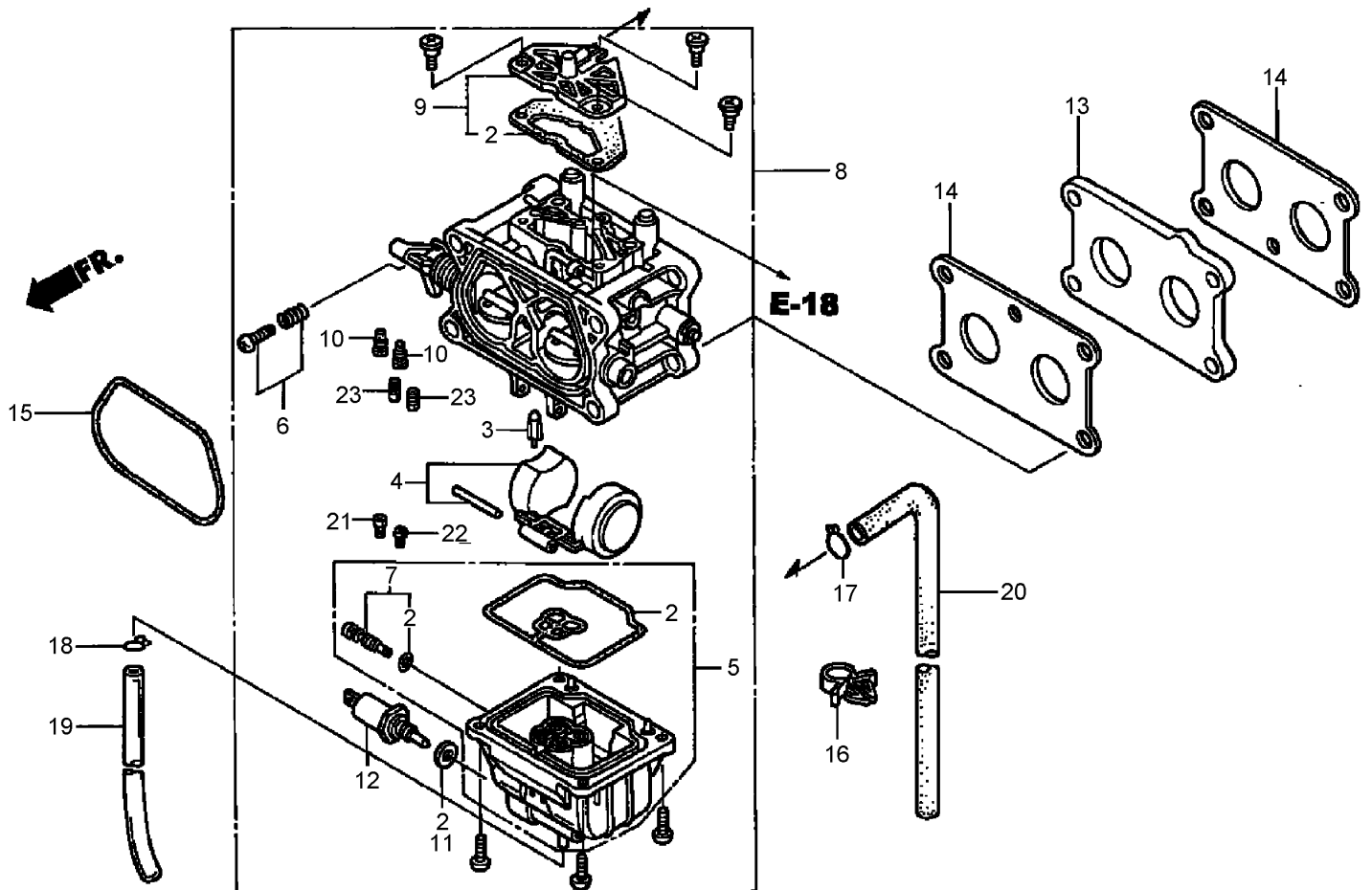
Ref	Part No.	Qty.	Description
❶	14320-Z0A-000	2	Pulley-Camshaft
❷	14324-ZL8-000	2	Shaft-Pulley
❸	14400-Z0A-003	2	Belt-Timing (97Hu8 G-200)
❹	14431-Z0A-000	2	Arm-Valve Rocker, Intake
❺	14441-Z0A-000	2	Arm-Valve Rocker, Exhaust
❻	14461-Z0A-000	4	Shaft-Arm, Rocker
❼	14711-Z0A-000	2	Valve-Intake
❽	14721-Z0A-000	2	Valve-Exhaust
❾	14751-ZE1-000	4	Spring-Valve
❿	14771-ZE1-000	4	Retainer-Valve Spring, Intake
⓫	90012-333-000	4	Screw-Tappet, Adj.
⓬	90206-001-000	4	Nut-Tappet, Adj.
⓭	91301-ZM0-V31	2	O-Ring (6.8X1.9)



Fan Cover Assembly Honda GXV530 EXA2LB

Ref	Part No.	Qty.	Description
❶	16711-Z0A-000	1	Stay-Pump, Fuel
❷	17211-Z0A-013	1	Element-Cleaner, Air
❸	17218-Z0A-810	1	Filter (Outer)
❹	17228-Z0A-003	1	Gasket-Cleaner, Air
❺	17229-Z0A-000	1	Seal-Housing, Air Cleaner
❻	17231-Z0A-000	1	Cover-Cleaner, Air
❼	17238-ZJ4-830	4	Collar A-Cleaner, Air
❽	17410-Z0A-010	1	Elbow-Cleaner, Air
❾	19611-Z0A-010ZA	1	Cover-Fan
❿	19612-Z0A-000	1	Plate-Side
⓫	28452-Z0A-000ZA	1	Grid-Screen
⓬	90004-Z0A-000	2	Bolt (6Mm)
⓭	90013-ZL8-000	2	Bolt-Flange (6X14) (Ct200)

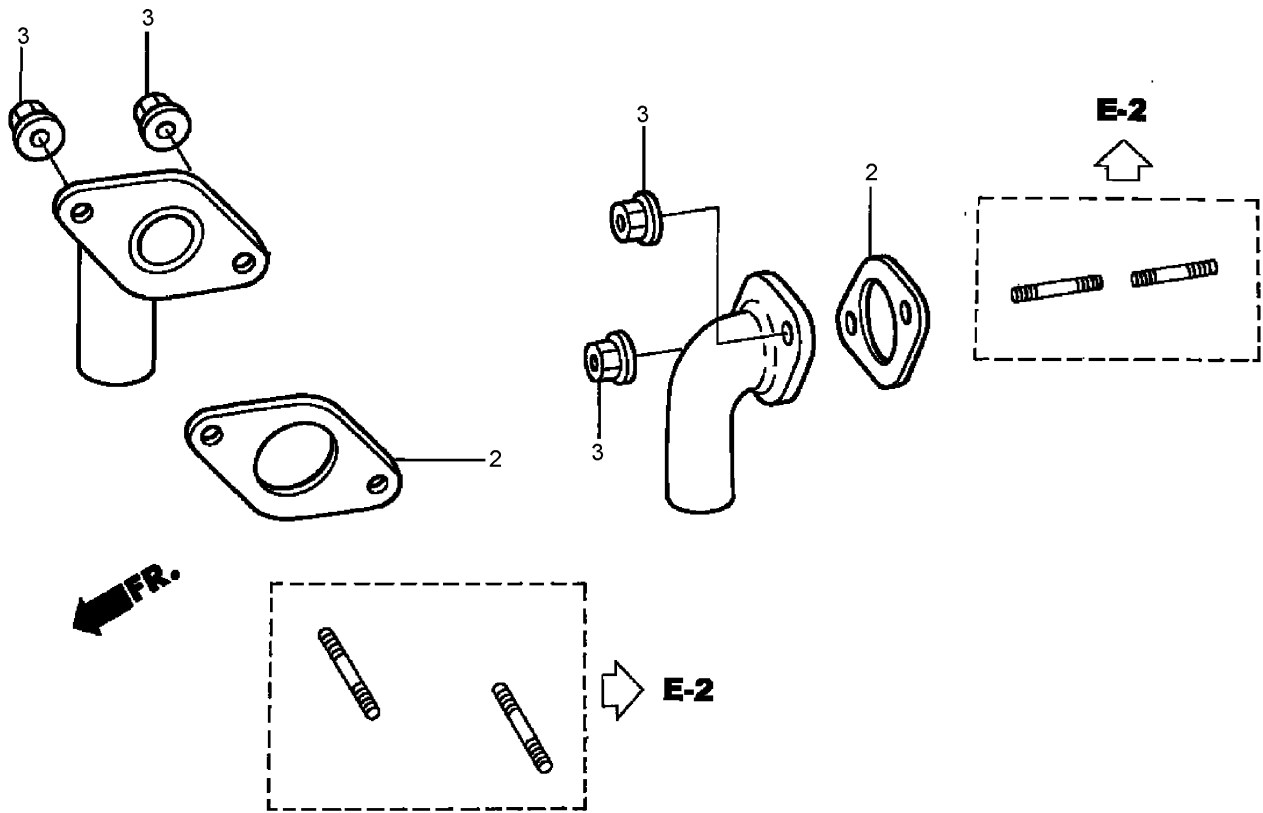
Ref	Part No.	Qty.	Description
⓮	90014-952-000	2	Bolt-Flange (6X14)
⓯	90044-Z0A-000	1	Bolt-Stud, Left (Ignition Coil)
⓰	90045-Z0A-000	1	Bolt-Stud, Right (Ignition Coil)
⓱	90201-ZM0-000	2	Nut-Flange (6Mm)
⓲	93913-24410	4	Screw-Tapping (4X16)
⓳	93913-24780	4	Screw-Tapping (4X30) (P0)
⓴	94103-06800	2	Washer-Plain (6Mm)
⓵	95701-06012-00	2	Bolt-Flange
⓶	95801-06100-00	4	Bolt-Flange (6X100)
⓷	17212-Z0A-000	1	Grid-Cleaner, Air



Carburetor Assembly Honda GXV530 EXA2LB

Ref	Part No.	Qty.	Description
●2	16010-Z0A-802	1	Gasket Set
●3	16011-Z0A-004	1	Valve-Float
●4	16013-Z0A-004	1	Float Set
●5	16015-Z0A-802	1	Chamber Set-Float
●6	16016-Z0A-004	1	Screw-Set
●7	16024-Z0A-004	1	Screw-Set, Drain
●8	16100-Z0A-813	1	Carburetor ASM (Up To Engine Serial No. 1014986)
●8	16100-Z0A-814	1	Carburetor ASM (Bw02B C) (Up To Engine Serial No. 1027210)
●8	16100-Z0A-815	1	Carburetor ASM (Bw02B C) (From Engine Serial No.1027211 To 1061017)
●8	16100-Z0P-V02	1	Carburetor ASM (Bw02C A) (From Engine Serial No. 1061018)
●9	16139-Z0A-004	1	Cover Set-Vent, Air
●10	16168-Z0A-004	2	Cap
●11	16178-Z0A-802	1	Gasket

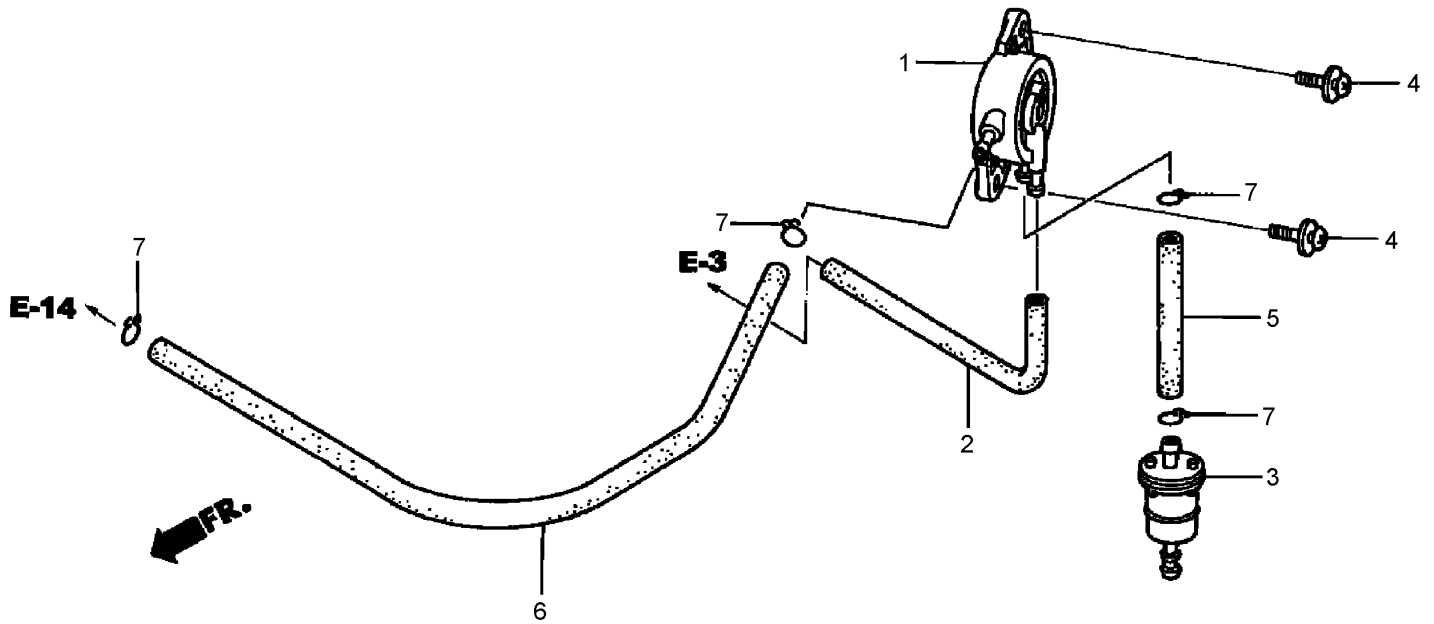
Ref	Part No.	Qty.	Description
●12	16200-Z0A-802	1	Solenoid Valve ASM
●13	16211-Z0A-000	1	Insulator-Carburetor
●14	16212-Z0A-000	2	Gasket-Insulator
●15	17228-Z0A-003	1	Gasket-Cleaner, Air
●16	90659-680-013	1	Clip-Harness, Wire
●17	95002-02080	1	Clip-Tube (B8)
●18	95002-02650	1	Clip-Tube (B6.5)
●19	95003-07008-60M	1	Bulk Hose-Vinyl (4X7X8000)
●19	95003-07008-60M	1	Bulk Hose-Vinyl (4X7X8000)
●20	95005-45001-20M	1	Bulk Hose-Vacuum (4.5X1000)
●20	95005-45001-20M	1	Bulk Hose-Vacuum (4.5X1000)
●21	99131-Z0A-0820	1	Jet-Main (No. 82.5)
●21	99131-Z0A-0850	1	Jet-Main (No. 85)
●21	99131-Z0A-0870	1	Jet-Main (No. 87.5)



Exhaust Pipe Assembly Honda GXV530 EXA2LB

Ref	Part No.	Qty.	Description
●2	18333-Z0A-000	2	Gasket-Pipe, Exhaust
●3	94050-06000	4	Nut-Flange (6Mm)

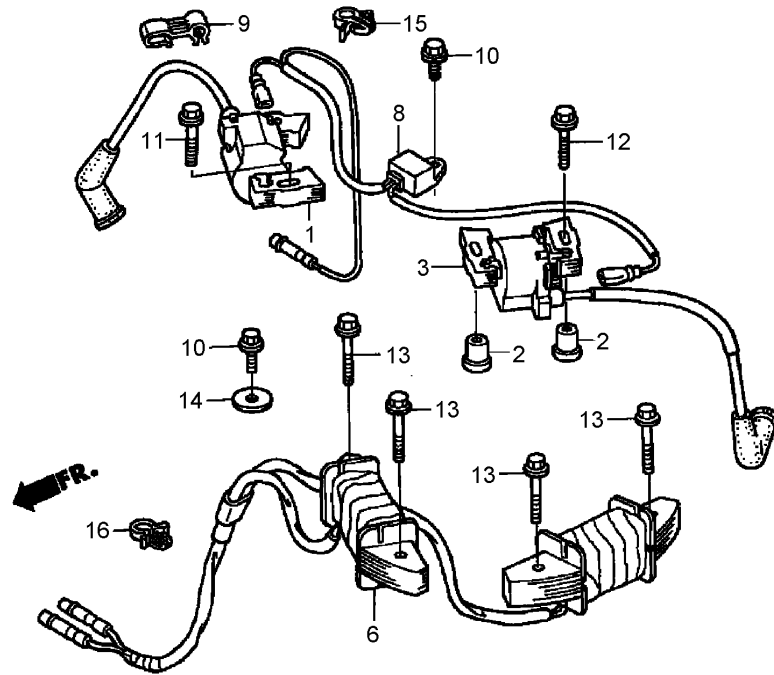
--	--	--	--



Fuel Pump Assembly Honda GXV530 EXA2LB

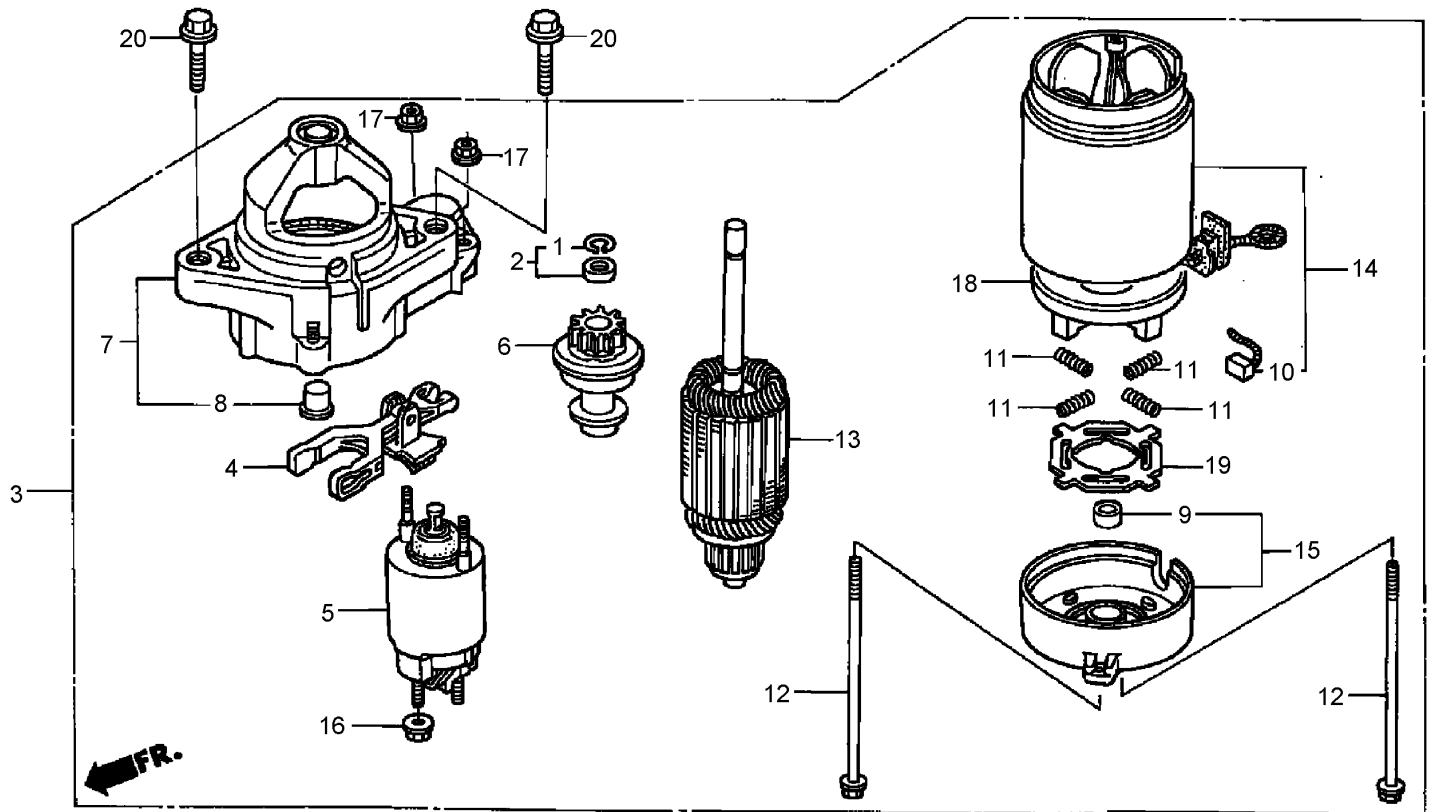
Ref	Part No.	Qty.	Description
❶	16700-ZL8-013	1	Fuel Pump ASM
❷	16882-Z0A-000	1	Tube-Diaphragm
❸	16910-ZV4-015	1	Filtel-Fuel
❹	93894-05016-00	2	Screw-Washer (5X16)
❺	95001-55008-60M	1	Fuel-Hose (5.5X8000) (5.5X100)
❻	95001-55008-60M	1	Fuel-Hose (5.5X8000) (5.5X100)
❼	95002-02100	4	Clip-Tube (B10)

--	--	--	--



Ignition Coil Assembly Honda GXV530 EXA2LB

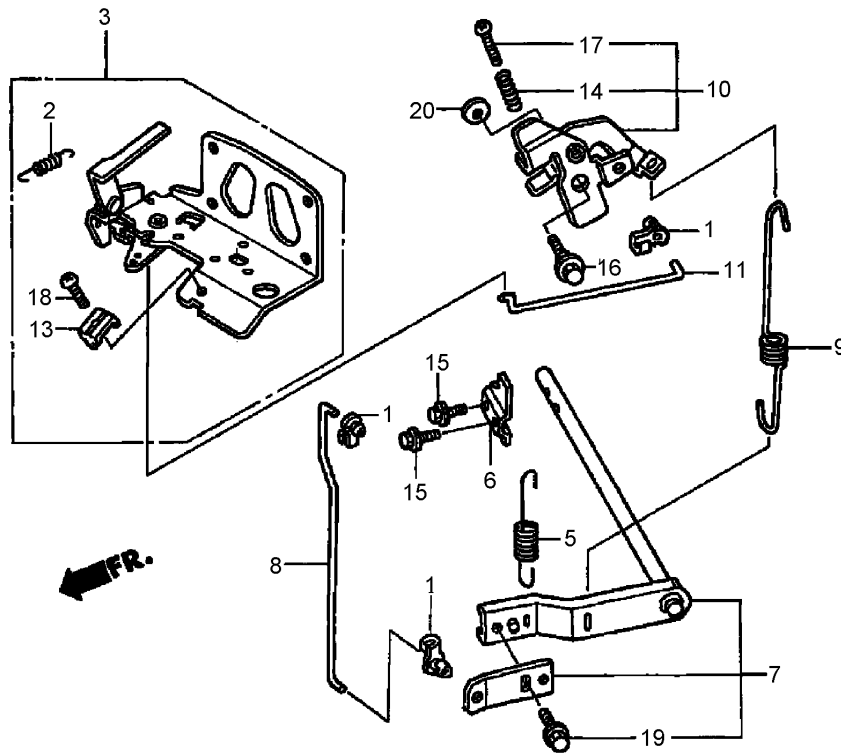
Ref	Part No.	Qty.	Description				
❶	30500-Z0A-013	1	Ignition Coil ASM (No. 1)				
❷	30509-Z0A-000	2	Collar-Coil, Ignition				
❸	30550-Z0A-013	1	Ignition Coil ASM (No. 2)				
❻	31630-Z0A-811	1	Charge Coil ASM (12V-12A)				
❸	31740-Z0A-003	1	Engine Stop Diode ASM				
❹	32768-PJ7-000	1	Clamp-Wire, Center				
❺	90013-883-000	2	Bolt-Flange (6X12) (Ct200)				
❻	95701-06028-00	1	Bolt-Flange (6X28)				
❽	90016-ZE8-000	1	Bolt-Flange (6X45)				
❾	95701-06032-00	4	Bolt-Flange (6X32)				
❿	90136-428-870	1	Washer-Setting, Tank				
⓫	90654-SA4-003	1	Clip-Harness, Wire (6Mm) (White)				
⓬	90659-PG6-000	1	Clip-Harness, Wire				



Starter Motor Assembly Honda GXV530 EXA2LB

Ref	Part No.	Qty.	Description
❶	30201-PH9-004	1	Ring-Snap (Denso)
❷	30202-PZ1-003	1	Collar Set-Stop, Clutch
❸	31200-Z0A-003	1	Starter Motor ASM
❹	31203-PH9-004	1	Lever-Drive, Pinion
❺	31204-ZG4-801	1	Magnetic Switch ASM
❻	31207-Z0A-003	1	Clutch-Overrunning
❼	31208-Z0A-003	1	Housing-Drive Side
❽	31209-PH9-004	1	Bearing (A)
❾	31210-PH9-004	1	Bearing (B)
❿	31211-PH9-004	4	Brush
⓫	31212-PH9-004	4	Spring-Brush
⓬	31214-PH9-004	2	Bolt-Through
⓭	31217-Z0A-003	1	Armature

Ref	Part No.	Qty.	Description
⓮	31218-P64-N01	1	Yoke
⓯	31219-Z0A-003	1	Frame-End, Commutator
⓰	31220-PH9-004	1	Nut-Hex (8Mm)
⓱	31223-PA0-006	2	Nut-Flange (5Mm)
⓲	31231-PH9-004	1	Holder-Brush
⓳	31233-PH9-004	1	Insulator-Holder, Brush
⓴	95701-10040-00	2	Bolt-Flange (10X40)



Control Assembly Honda GXV530 EXA2LB

Ref	Part No.	Qty.	Description
❶	16263-ZJ7-871	3	Rod-Joint
❷	16268-Z0A-300	1	Spring-Return, Choke
❸	16500-Z0A-000	1	Control ASM (1-Lever)
❺	16534-Z0A-000	1	Spring-Starter (Up To Engine Serial No. 1014986)
❺	16534-Z0P-V00	1	Spring-Starter (From Engine Serial No. 1038646)
❻	16542-Z0A-000	1	Fork-Governor
❼	16550-Z0A-000	1	Arm-Governor
❸	16555-Z0A-000	1	Rod-Governor
❹	16561-Z0A-000	1	Spring-Governor
❶	16565-Z0A-000	1	Link-Governor
❶	16566-Z0A-000	1	Rod-Link, Governor
❶	16576-891-000	2	Holder-Cable
❶	16584-883-300	1	Spring-Adjusting, Control

Ref	Part No.	Qty.	Description
❶	90002-892-000	2	Bolt-Flange (5X10)
❶	90015-Z0A-000	1	Bolt-Flange (6Mm) (Ct200)
❶	90016-ZG9-N30	1	Screw-Recessed (5X25)
❶	90016-Z0A-V00	2	Screw-Recessed (5X18)
❶	95701-06010-00	1	Bolt-Flange (6X10)
❶	94101-06800	1	Washer-Plain (6Mm)

Attachments and Accessories

For 74425 - TimeCutter Z530 Riding Mower

Product Name	Model/Part
Smooth Caster Wheel Kit	105-1856
Tire Chains	107-1738
Armrest Kit	108-6163
42 Inch Deck Ring Kit	110-6509
42 Inch Twin Bagger	79214
48 Inch Snow Blade	79216

NOTES

NOTES

NOTES

