



622R Power Throw[®] Snowthrower

Model No. 38606 - 280000001 and up.

Parts Catalog

Ordering Replacement Parts

To order replacement parts, please supply the part number, the quantity, and the description of each part desired.

Understanding Reference Numbers

Each identified part in an illustration has a reference number. The reference number for a part also appears in the parts list, along with other information about the part.

This catalog uses two special reference number formats, one to indicate parts in a service assembly and another to indicate the quantity of a given part in an illustration.

Service Assembly Reference Numbers

Parts in service assemblies have reference numbers in the form a:b. The a represents the reference number of the entire service assembly and the b represents a sequential number unique to each part within the service assembly.

For example, a wheel assembly might be identified by reference number 6, the tire by 6:1, the valve by 6:2, and the wheel by 6:3. When you order the assembly identified by reference number 6, you receive all parts identified by reference numbers 6:1, 6:2, and 6:3. However, you may also order any part individually. Reference numbers of this type appear in illustrations and in part lists.

Reference Numbers Indicating Quantity

In an illustration, if a reference number indicates more than one part, the reference number has the form nX y. The n represents the quantity of the part, the X is the multiplication symbol, and the y represents the reference number.

For example, in an illustration, the reference number 2X 37 means that two of the parts identified by reference number 37 are indicated.

Contents

Description	Page	Description	Page
Auger Housing Assembly 3	Engine Assembly No. 2 Tecumseh OH195SA-72566G 12
22 Inch Gear Case Assembly No. 37-6962 4	Carburetor Assembly No. 640058A Tecumseh OH195SA-72566G 14
Frame Assembly 5	Rewind Starter No. 590749 Tecumseh OH195SA-72566G 15
Drive Assembly 6	Recoil Starter No. 590733 (Optional) Tecumseh OH195SA-72566G 16
Engine Assembly 7	Attachments and Accessories List 17
Handle and Control Assembly 8		
Control Assembly 9		
Engine Assembly No. 1 Tecumseh OH195SA-72566G 10		

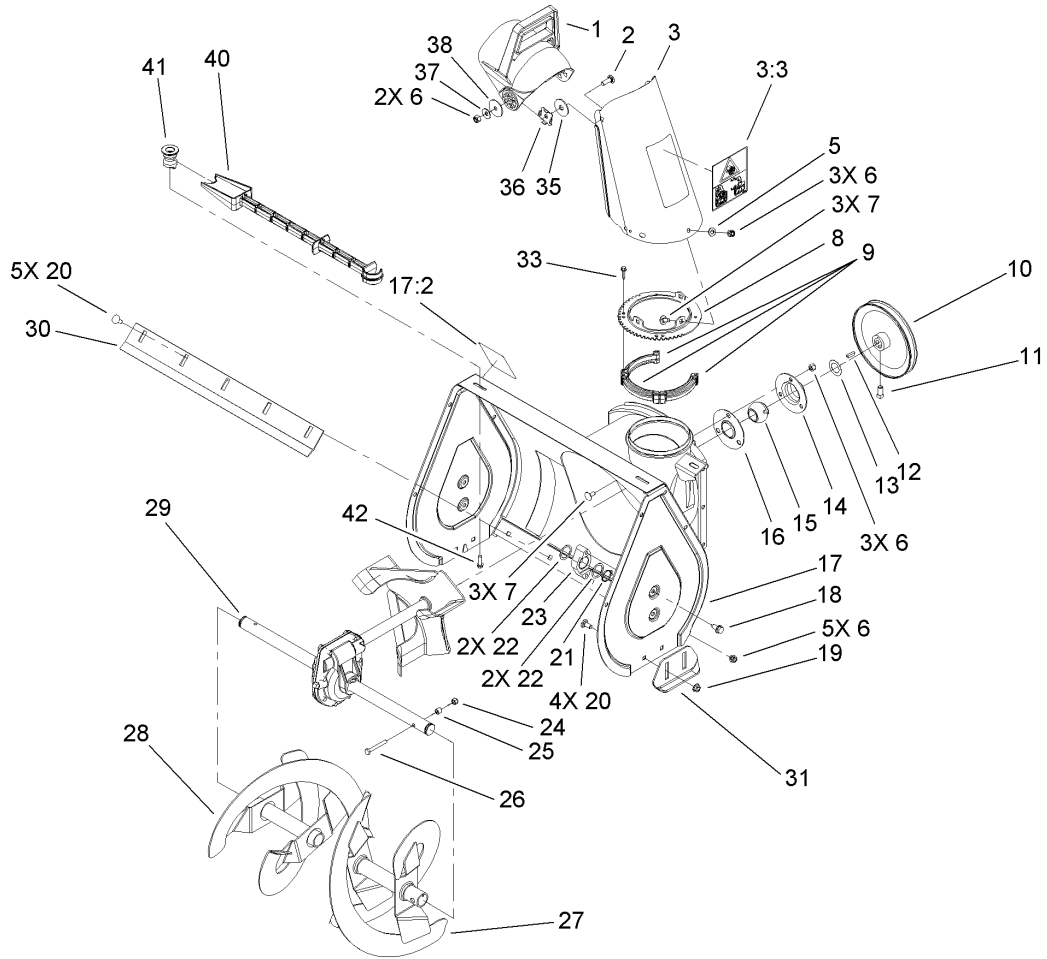
Part Description Abbreviations

Part descriptions in this catalog may include the following abbreviations.

AR. as required	HYD. hydraulic
ASM. assembly	LH. left hand
BBC. blade brake clutch	NI. nylon insert
CARR. carriage	NPTF. national pipe thread fine
DEG. degrees	PFH. phillips flat head
EXT. external	PPH. phillips pan head
FH. flat head	PPHTF. phillips pan head thread forming
GA. gauge	PRH. phillips round head
HD. heavy-duty	PTH. phillips truss head
HF. hex flange	PTO. power-take-off
HH. hex head	RH. right hand
HHF. hex head flange	ROPS. roll-over protection system
HHFTF. hex head flange thread forming	SFH. slotted fillister head
HJ. hex jam	SHH. slotted hex head
HLH. hex lag head	SHWH. slotted hex washer head
HOC. height-of-cut	SPH. slotted pan head
HSBH. hex socket button head	SQH. square head
HSFH. hex socket flat head	SRH. slotted round head
HSH. hex socket head	STD. standard
HWH. hex washer head	TAP. self tapping
HWHTF. hex washer head thread forming	TTH. torx truss head

Footnotes

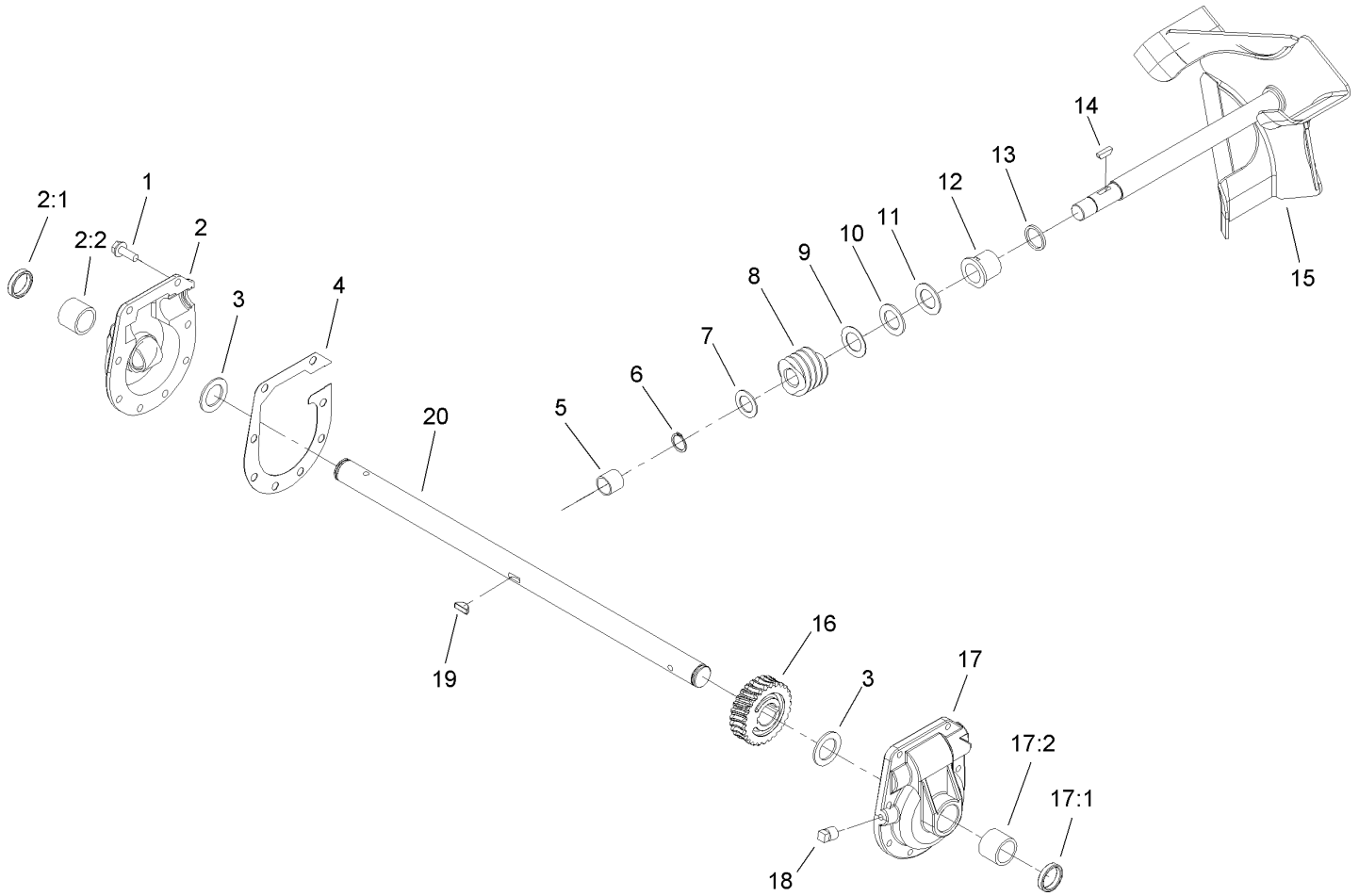
- | | |
|--|---------------------------------|
| ❶ Not illustrated | ❷ Not serviced separately |
| ❸ Obtain from your local Tecumseh dealer | ❹ Included in Repair Kit 632760 |
| ❺ Included in Gasket Set 36720 | |



Auger Housing Assembly

Ref	Part No.	Qty.	Description
1	56-2680	1	Chute-Deflector
2	3230-22	2	Screw-CARR
3	112-6605	1	Chute ASM
3:3	112-6620	1	Decal-Danger, Discharge
5	3256-23	3	Washer-Flat
6	3296-29	13	Nut-Lock, NI
7	3230-18	6	Screw-CARR
8	37-8941-03	1	Ring-Chute
9	37-6490	3	Ring-Chute, Retainer
10	37-6890	1	Pulley
11	3242-4	2	Screw-Set, SQH
12	3257-23	1	Key-Woodruff
13	3-0737	1	Washer
14	26-6110	1	Flange-Cup, Bearing
15	63-3450	1	Bearing-Ball
16	26-6120	1	Flange-Cup, Bearing
17	112-6641	1	Auger Housing ASM
17:2	107-3040	1	Decal-Danger, Auger
18	32144-70	4	Screw-HWHTF
19	32128-20	4	Nut-HF
20	3230-1	9	Bolt-CARR
21	32151-36	2	Ring-Retaining
22	5-1550	4	Washer
23	37-6550	2	Bearing-Auger

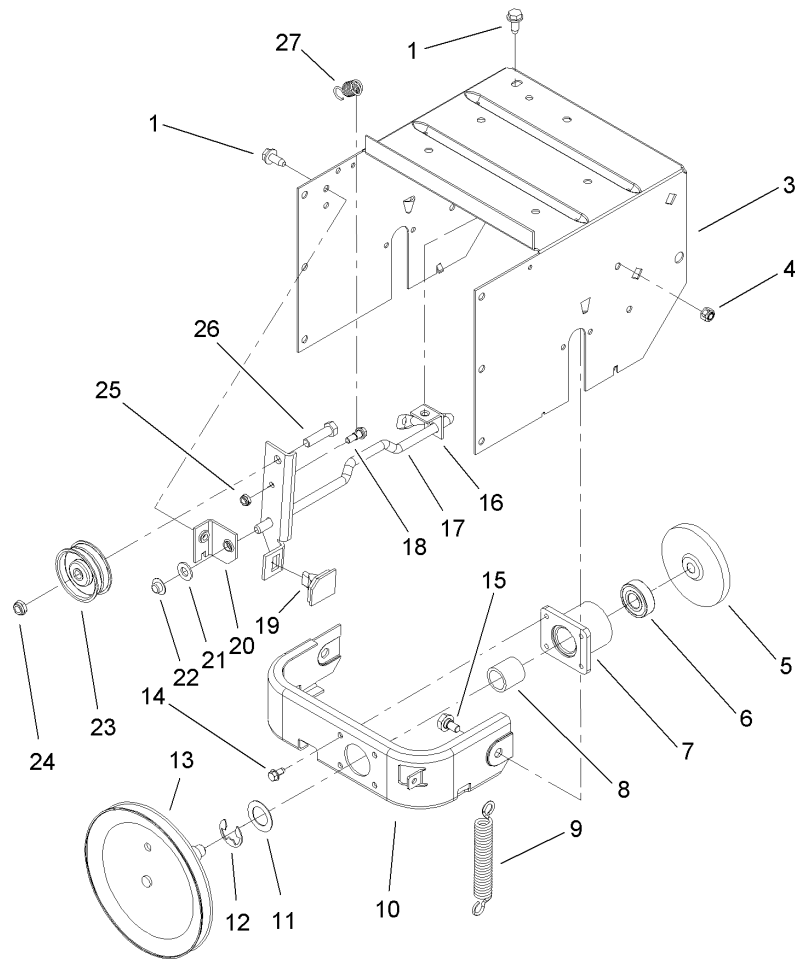
Ref	Part No.	Qty.	Description
24	3296-42	2	Nut-Lock, NI
25	66-8010	2	Spacer-Hub, Impeller
26	321-11	2	Screw-HH
27	98-2271-03	1	Auger-LH
28	98-2270-03	1	Auger-RH
29	37-6962	1	22 Inch Gear Case ASM
30	100-3554-01	1	Blade-Scraper
31	40-8160-01	2	Skid
33	27-0220	6	Screw-Special
35	20-4320	2	Washer-Rubber
36	55-8950	2	Plate-Friction
37	3290-456	2	Washer-Belleville
38	3256-68	2	Washer-Flat
40	110-3408	1	Stick-Cleanout
41	110-6275	2	Holder-Stick
42	46-8091	2	Screw-HWH



22 Inch Gear Case Assembly No. 37-6962

Ref	Part No.	Qty.	Description
1	32144-41	8	Screw-Taptite
2	14-2449	1	RH Bushing Case ASM
2:1	7-0045	1	Seal-Oil
2:2	112-6635	1	Bushing-Sleeve
3	252-71	2	Washer-Thrust
4	51-0460	1	Gasket-Case, Gear
5	256-32	1	Bushing
6	32120-72	1	Ring-Snap
7	3-8664	1	Washer-Thrust
8	5-7170	1	Gear
9	252-80	1	Washer-Thrust
10	252-76	1	Bearing-Thrust
11	257-3	1	Washer-Thrust
12	37-6560	1	Bushing-Input
13	237-87	1	Ring-Quad
14	3257-23	1	Key-Woodruff
15	37-6990-03	1	Impeller Shaft ASM
16	5-7180	1	Gear-Worm, 27T
17	14-2459	1	LH Bushing Case ASM
17:1	7-0045	1	Seal-Oil
17:2	112-6635	1	Bushing-Sleeve
18	281-1	1	Plug-Pipe, SQH
19	3257-33	1	Key-Woodruff
20	37-6802	1	Shaft-Auger

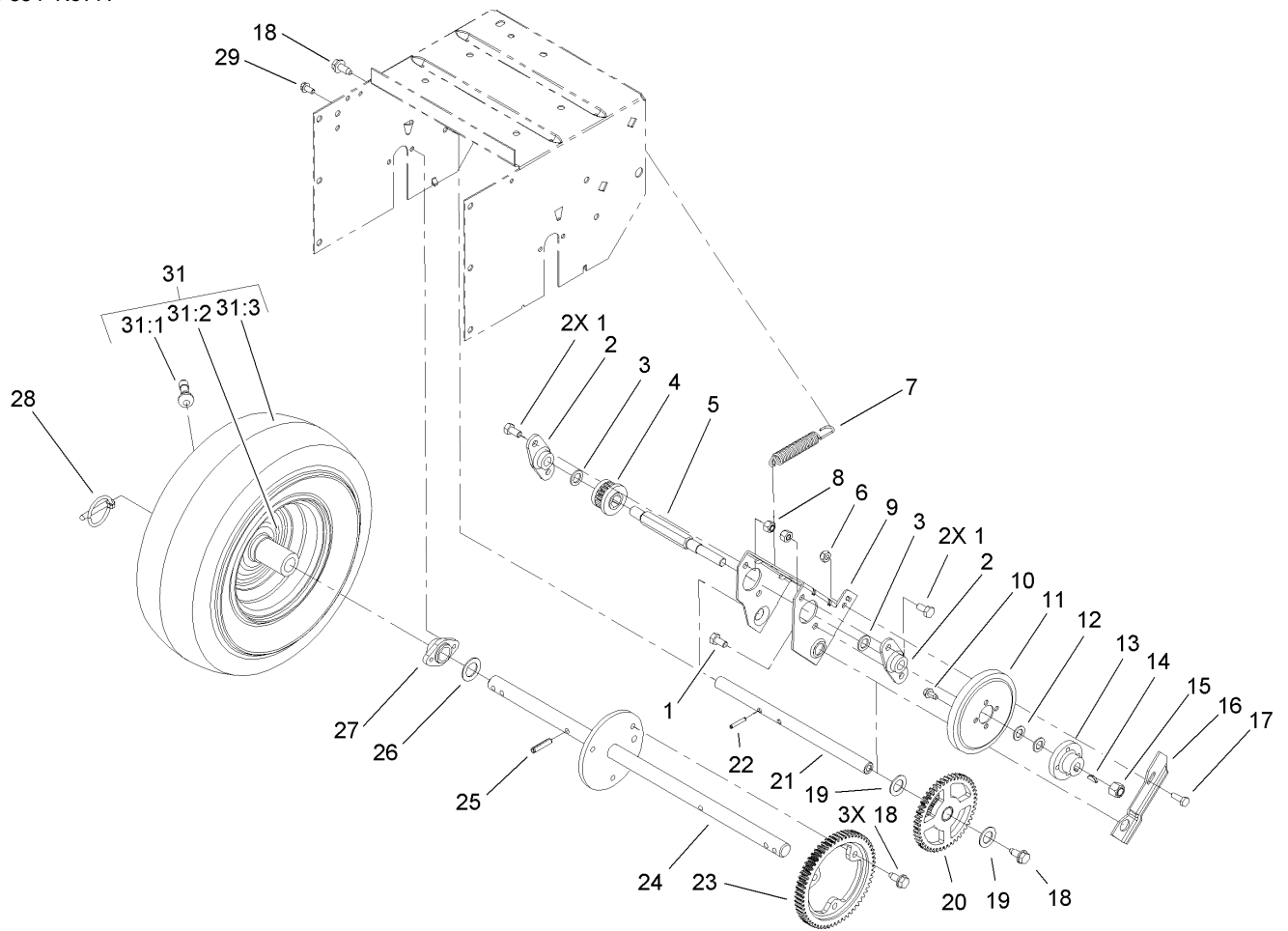
--	--	--	--



Frame Assembly

Ref	Part No.	Qty.	Description
1	32144-70	2	Screw-HWHTF
3	37-8900-01	1	Frame-Traction
4	3296-29	2	Nut-Lock, NI
5	38-0800	1	Plate-Friction
6	100-1048	1	Bearing-Ball
7	88-0560	1	Hub-Frame, Traction
8	256-322	1	Bushing
9	37-8870	1	Spring-Plate, Friction
10	88-0550-03	1	Frame-Front
11	252-80	1	Washer-Thrust
12	32151-103	1	Ring-Snap
13	88-0850	1	Pulley And Drive ASM
14	32144-4	4	Screw-HWH
15	37-8770	2	Bolt-Shoulder
16	37-9070	1	Bracket-Mount, Rear
17	40-6511-03	1	Auger Clutch Rod ASM
18	42-3560	1	Bolt-Shoulder
19	66-8060	1	Pad-Brake
20	66-6790	1	Bracket-Mount, Front
21	3256-24	1	Washer-Flat
22	3290-320	1	Retainer-Push On
23	3-4244	1	Pulley-Idler
24	3296-59	1	Nut-Lock, NI
25	3296-56	1	Nut-Lock, NI

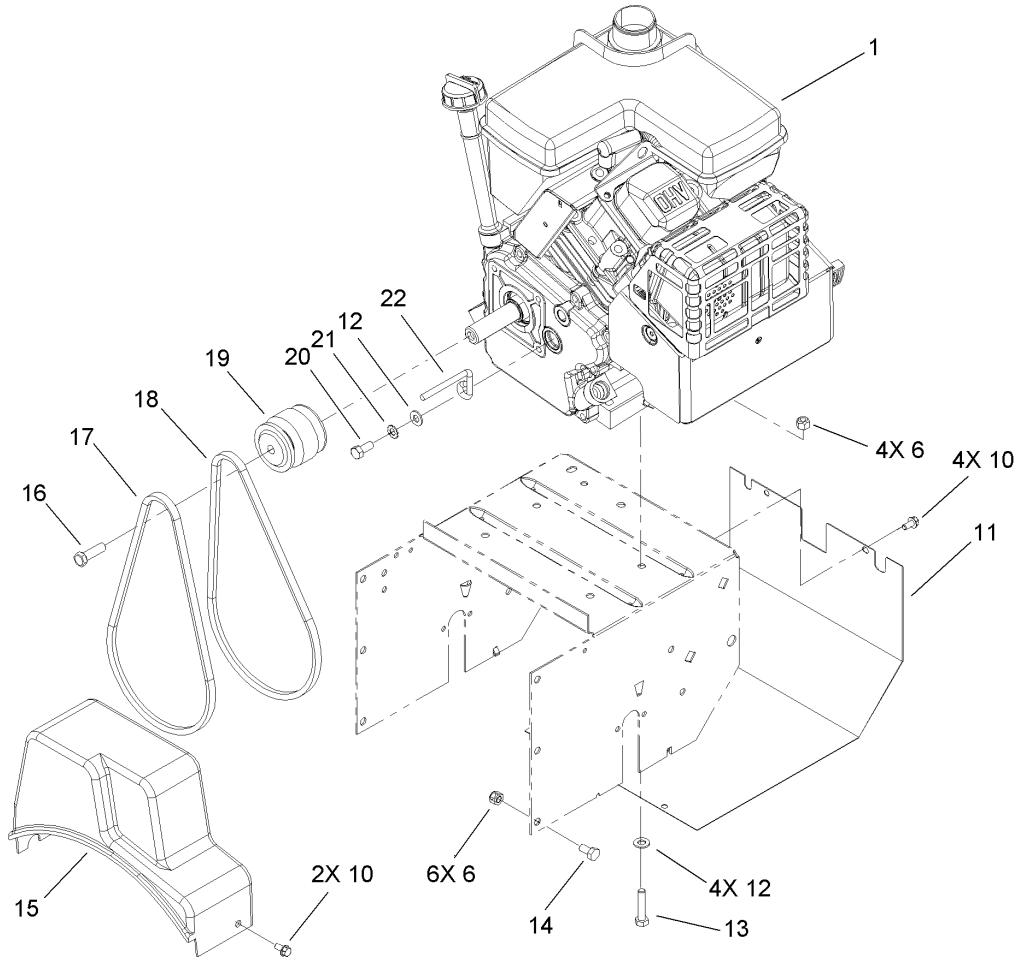
Ref	Part No.	Qty.	Description
26	323-29	1	Screw-HH
27	53-7570	1	Spring



Drive Assembly

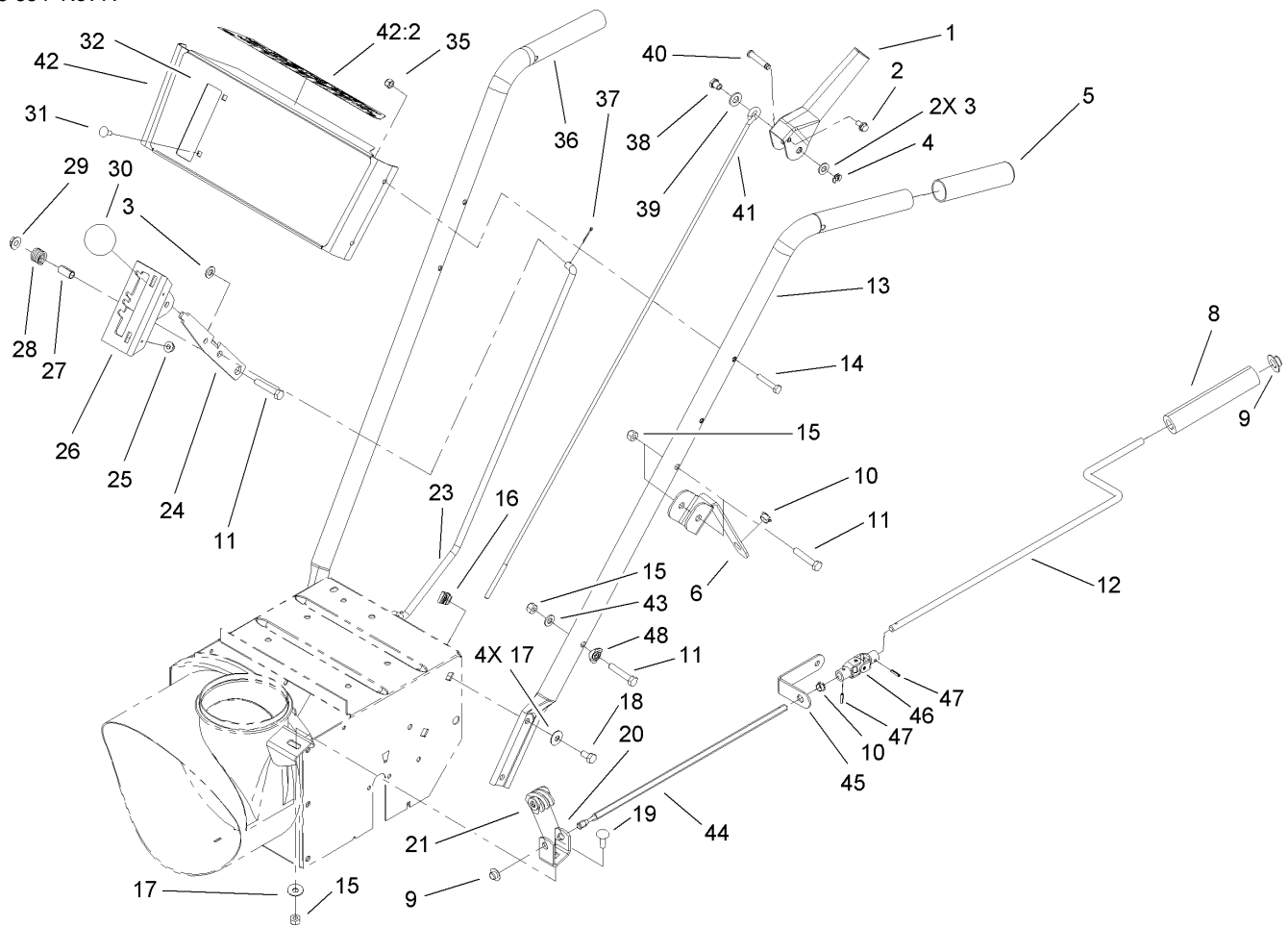
Ref	Part No.	Qty.	Description
1	322-2	4	Screw-HH
2	20-1620	2	Bearing-Wheel, Friction
3	5-7570	2	Washer-Flat
4	37-6500	1	Pinion
5	37-6780	1	Shaft-Wheel, Friction
6	3296-16	1	Nut-Lock, NI
7	37-8880	1	Spring-Traction
8	3296-29	4	Nut-Lock, NI
9	39-1230	1	Bracket-Sliding
10	32144-4	4	Screw-HWH
11	37-6570	1	Wheel-Friction
12	36-4790	2	Washer-Thrust
13	39-1520	1	Hub-Wheel, Friction
14	3257-24	1	Key-Woodruff
15	3296-48	1	Nut-Lock, NI
16	39-1250	1	Cam-Receiver
17	321-4	1	Screw-HH
18	32144-70	5	Screw-HWHTF
19	10-9280	2	Washer-Special
20	37-9160	1	Internal Gear And Bushing ASM
21	37-6760	1	Shaft-Pivot
22	32121-45	2	Pin-Spring
23	37-6520	1	Gear-Axle
24	74-1350	1	Shaft-Axle

Ref	Part No.	Qty.	Description
25	32121-9	2	Pin-Roll, Slotted
26	3-8664	2	Washer-Thrust
27	37-6850	2	Bearing-Axle
28	3290-243	2	Pin-Lynch
29	32144-4	4	Screw-HWH
① 30		1	LH Wheel And Tire ASM
①30:1	232-27	1	Stem-Valve
①30:2	241-131	1	Rim-Wheel
①30:3	112-6609	1	Tire
②31		1	RH Wheel And Tire ASM
31:1	232-27	1	Stem-Valve
31:2	241-131	1	Rim-Wheel
31:3	112-6609	1	Tire



Engine Assembly

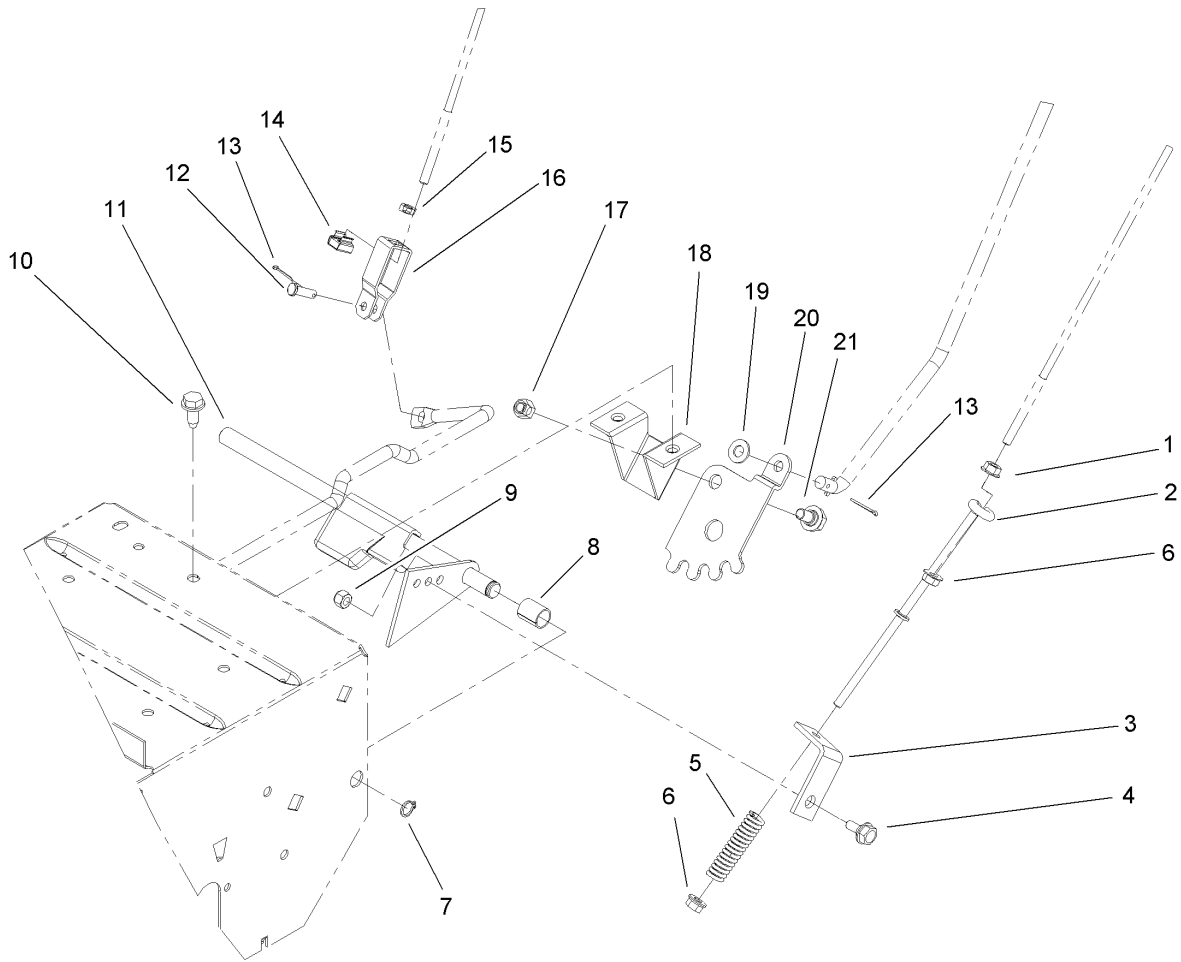
Ref	Part No.	Qty.	Description
1		1	Engine-Tecumseh, Oh195Sa-72566G
6	3296-29	10	Nut-Lock, NI
10	32144-4	6	Screw-HWH
11	37-6830-01	1	Cover-Traction, Lower
12	3256-23	5	Washer-Flat
13	322-7	4	Screw-HH
14	322-2	6	Screw-HH
15	37-6900	1	Cover-Belt
16	43-7290	1	Screw-Special
17	26-9672	1	V-Belt
18	37-9090	1	V Belt-3L, Traction
19	74-1370	1	Pulley-Engine
20	3210-3	1	Screw-HH
21	3255-8	1	Washer-Lock
22	37-8990	1	Retainer-Belt



Handle and Control Assembly

Ref	Part No.	Qty.	Description
1	94-8887-03	2	Handle-Control
2	3234-13	2	Screw-HHF
3	3256-23	3	Washer-Flat
4	32151-73	2	Ring-Clip
5	112-6615	2	Grip-Handle
6	110-6297	1	Bracket-Rod, Upper Chute
8	40-8230	1	Grip-Control, Chute
9	3290-320	2	Retainer-Push On
10	256-249	2	Bushing
11	322-9	3	Screw-HH
12	110-6293	1	Rod-Chute, Upper
13	110-6296-03	1	Handle-Left
14	321-9	4	Screw-HH
15	3296-29	3	Nut-Lock, NI
16	3290-196	4	Nut
17	3290-456	5	Washer-Belleville
18	322-2	4	Screw-HH
19	3230-22	1	Screw-CARR
20	110-6298	1	Bracket-Worm
21	40-8250	1	Gear-Worm, Chute
23	39-7570	1	Rod-Selector, Speed
24	37-8820-03	1	Selector-Speed
25	32128-33	2	Nut-HF
26	39-1280-03	1	Mount-Selector, Speed

Ref	Part No.	Qty.	Description
27	40-8130	1	Spacer
28	37-9150	1	Spring
29	32128-13	1	Nut-HF
30	233-21	1	Knob
31	3229-11	2	Screw-CARR
32	112-6638	1	Decal-Escutcheon
35	3296-42	4	Nut-Lock, NI
36	52-5561-03	1	Handle-Right
37	3272-4	1	Pin-Cotter
38	47-4990	2	Post-Mounting, Linkage
39	3256-24	2	Washer-Flat
40	52-5600	2	Pin-Lever, Control
41	52-5590	2	Link-Upper
42	112-6643	1	Escutcheon Panel ASM
42:2	112-6624	1	Decal-Escutcheon, Back
43	3256-23	1	Washer-Flat
44	110-6292	1	Rod-Chute, Lower
45	110-6295	1	Bracket-Rod, Lower
46	94-2686	1	Joint-Universal
47	32121-73	2	Pin-Roll
48	107-3844	1	Washer

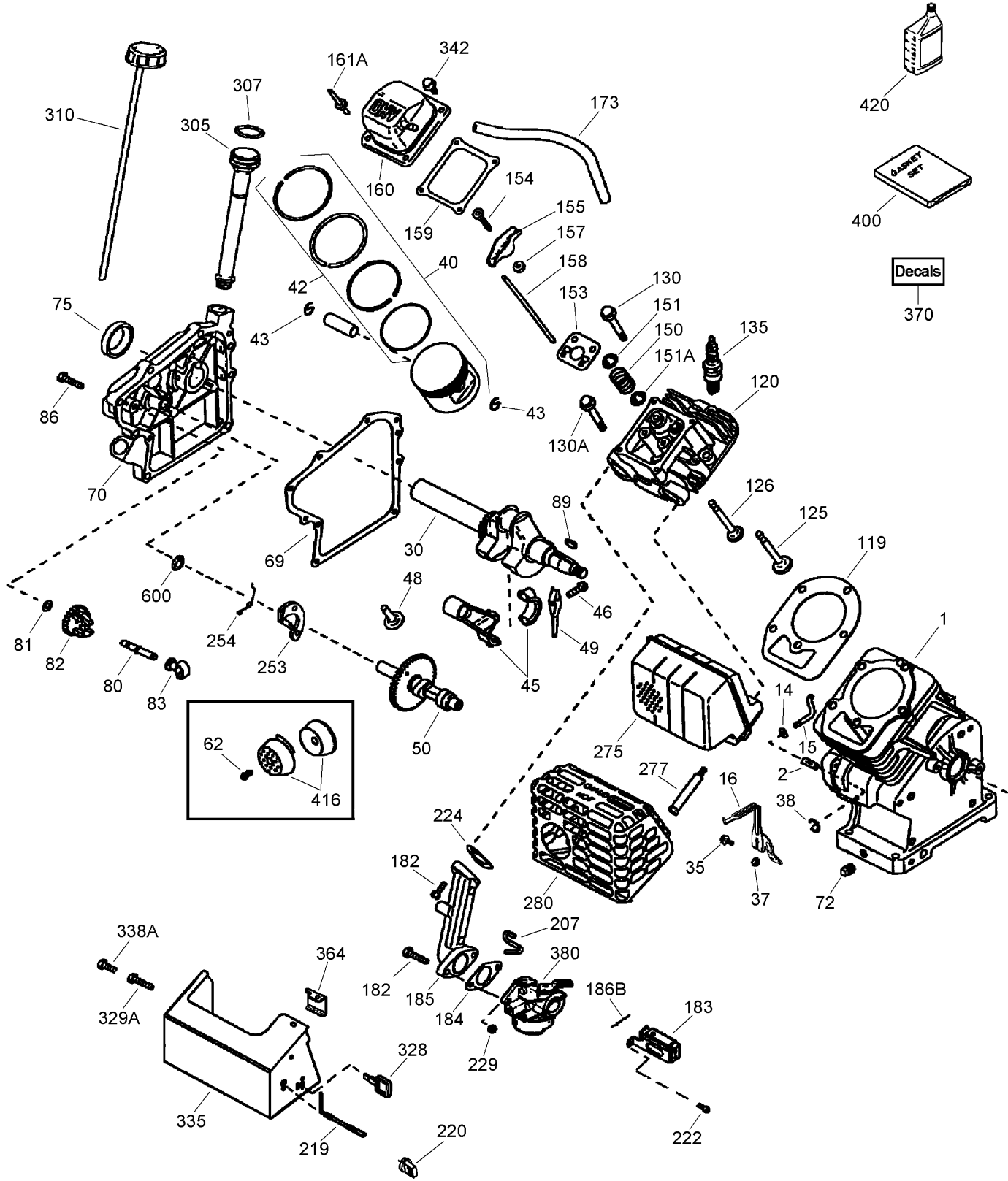


Control Assembly

Ref	Part No.	Qty.	Description
1	32128-33	1	Nut-HF
2	39-3060	1	Rod-Traction, Lower
3	38-4490	1	Bracket-Traction
4	40-8350	1	Screw
5	38-4520	1	Spring
6	32128-32	2	Nut-HHF
7	32151-61	1	Ring-Retaining
8	40-9680	1	Spacer
9	3296-42	1	Nut-Lock, NI
10	32144-70	2	Screw-HWHTF
11	43-7310-03	1	Traction Arm ASM
12	1-808265	1	Pin-Clevis
13	3272-4	2	Pin-Cotter
14	32115-5	1	Nut-Retained
15	3218-1	1	Nut-Jam
16	39-3080	1	Clevis
17	3296-29	1	Nut-Lock, NI
18	37-8790	1	Mount-Lever
19	3256-23	1	Washer-Flat
20	37-8800	1	Gear-Quadrant
21	37-8770	1	Bolt-Shoulder

Engine Assembly No. 1

Tecumseh OH195SA-72566G

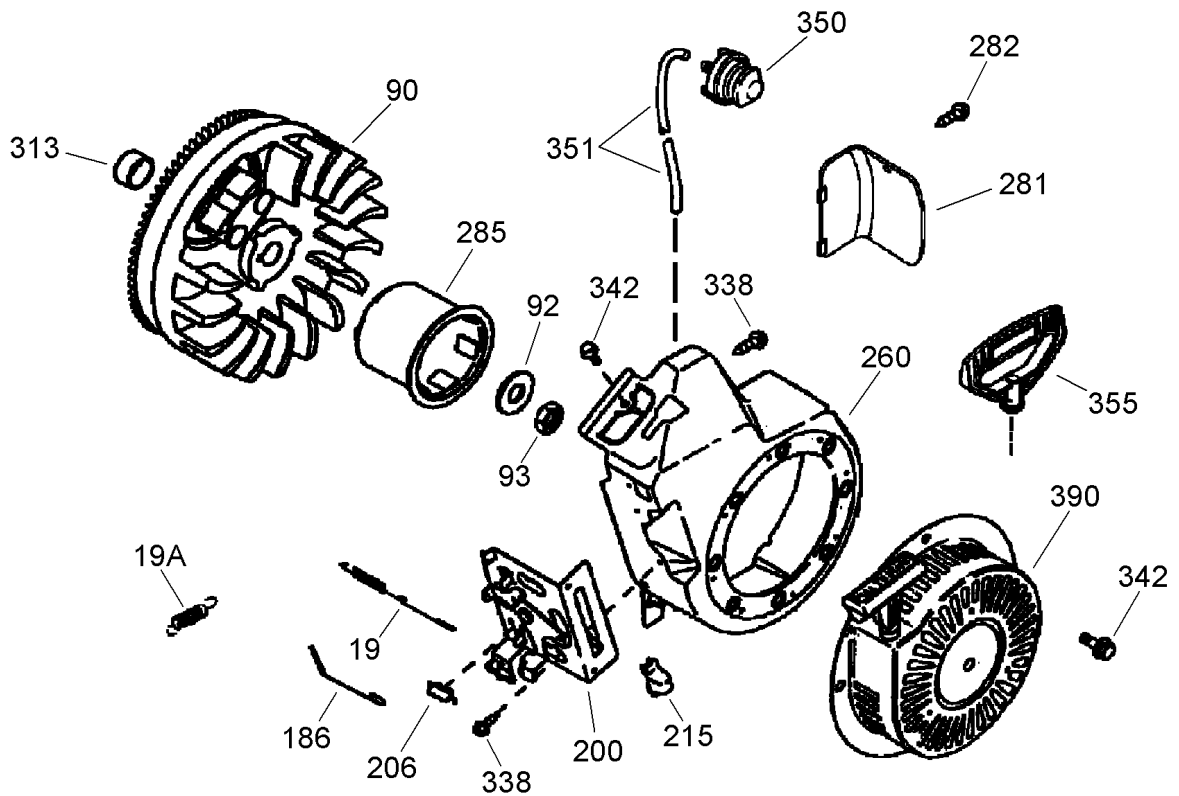
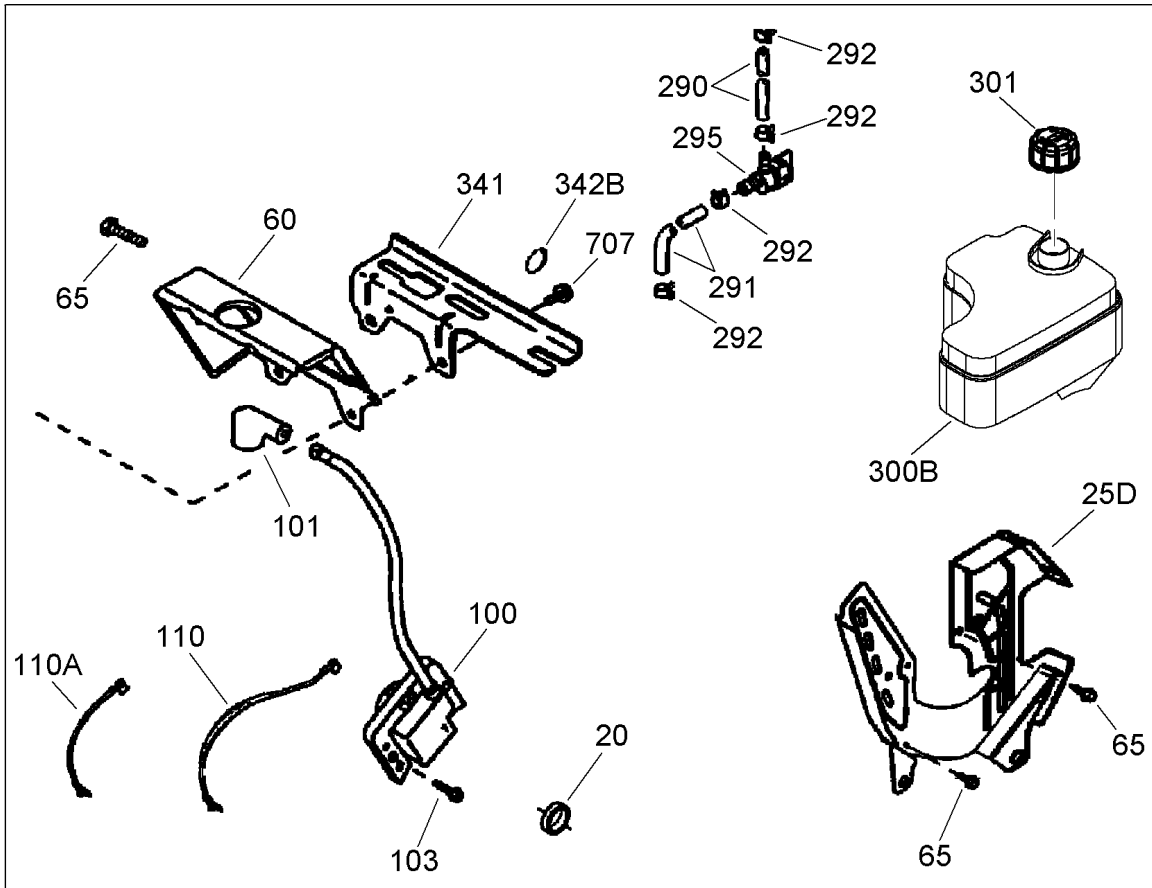


Engine Assembly No. 1

Tecumseh OH195SA-72566G

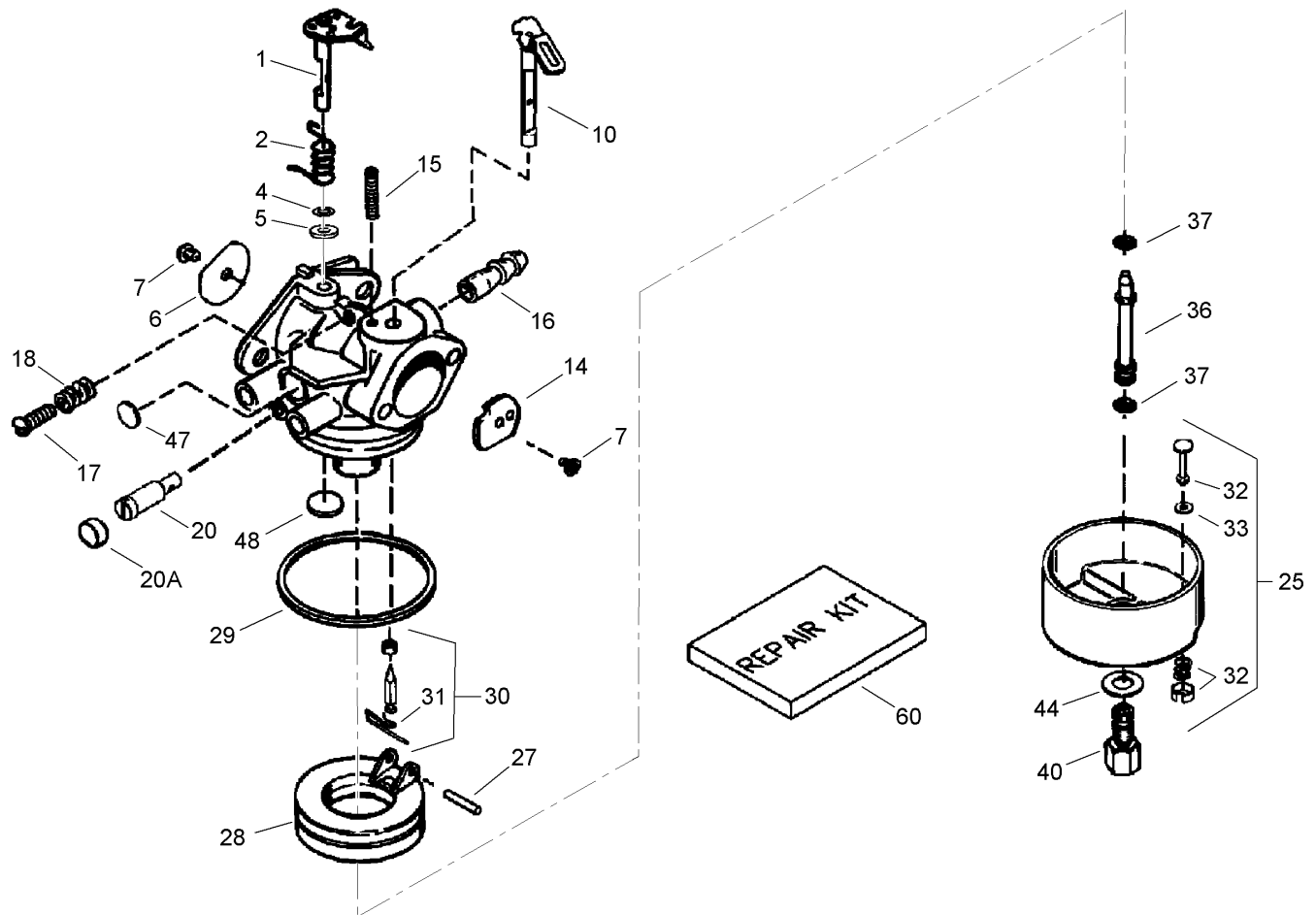
Ref	Part No.	Qty.	Description	Ref	Part No.	Qty.	Description
③1	37120B	1	Cylinder ASM (Including 2, 20, 72, 72A, 325 And 325A)	③158	36629	2	Rod-Push
③2	26727	2	Pin-Dowel	③⑤159	35626	1	Gasket-Cover, Rocker Arm
③14	651052	1	Washer	③160	36630B	1	Cover-Arm, Rocker
③15	37108	1	Rod-Governor (Including 38)	③161A	651012	1	Stud
③16	37110	1	Lever-Governor	③173	37676	1	Tube-Breather
③30	34740	1	Crankshaft ASM	③182	650451	4	Screw (1/4-20 X 1)
③35	651053	1	Screw (T-25, 10-32 X 63/64)	③183	36867	1	Bracket-Choke
③37	651116	1	Nut-Square	③③184	26756	1	Gasket
③38	37109	1	Ring-Retaining	③185	36631	1	Pipe-Intake
③40	40004	1	Piston, Pin And Ring Set (STD)	③186B	36652	1	Spring-Choke
③40	40005	1	Piston, Pin And Ring Set (.010 O S)	③207	36632	1	Link-Throttle
③42	40006	1	Ring Set (STD)	③219	36868	1	Rod-Choke
③42	40007	1	Ring Set (.010 O S)	③220	35438	1	Knob-Control
③43	20381	2	Ring-Retaining, Piston Pin	③222	28820	2	Screw (10-32 X 1/2)
③45	32875A	1	Connecting Rod ASM (Including 46 And 49)	③⑤224	36581	1	Gasket-Pipe, Intake
③46	32610A	2	Bolt-Rod, Connecting	③229	650852	4	Nut (1/4-20)
③48	35616A	1	Lifter-Valve	③253	36701	1	Weight-Release, Compression
③49	36611	1	Dipper-Oil	③254	36702	1	Spring-Release, Compression
③50	37040	1	Camshaft (Including 150, 253 And 254)	③275	37595A	1	Muffler
③62	650760	1	Screw (8-32 X 3/8)	③277	650988	2	Screw (1/4-20 X 2-9/32)
③⑤69	36624	1	Gasket-Cover, Cylinder	③280	37069	1	Shield-Heat
③70	36625	1	Cover-Cylinder (Includes 75 Thru 83)	③305	36877	1	Tube-Fill, Oil
③72	27642	3	Plug-Drain, Oil (SQH 1/4-18)	③307	35499	1	O-Ring
③75	27897	1	Seal-Oil	③310	36878	1	Dipstick
③80	30574A	1	Shaft-Governor	③328	35062	1	Key-Ignition (Also Available In Packaged Part 740077)
③81	30590A	1	Washer-Flat	③329A	651060	1	Screw (8-32 X 23/64)
③82	30591	1	Governor Gear ASM	③335	36873A	1	Cover-Carburetor
③83	36057	1	Spool-Governor	③338A	28942	1	Screw (10-32 X 3/8)
③86	650488	8	Screw (1/4-20 X 1-1/4)	③342	651008	9	Screw (1/4-20 X 31/64)
③89	610961	1	Key-Flywheel (Also Available In Packaged Part 740007B)	③364	36872	1	Bracket-Cover, Carburetor
③⑤119	36719	1	Gasket-Head, Cylinder	③370	36899	1	Decal - Speed Control, Choke And Key
③120	37474	1	Head-Cylinder (Includes 151A)	③370	36534A	1	Instruction Decal - Caution - Read Owner's Manual
③125	36471	1	Valve-Exhaust (STD) (Includes 151)	③370	36695	1	Decal-Tecumseh Logo For Top Of Recoil Starter
③125	36472	1	Valve-Exhaust (1/32 Os) (Includes 151)	③370	37948	1	Decal - Hot Surfaces
③126	37711	1	Valve-Intake (STD) (Includes 151 And 151A)	③380	640058A	1	Carburetor ASM (Includes 184)
③130	650912	4	Screw (5/16-18 X 1-1/2)	③400	36720	1	Gasket Set
③130A	650999	1	Screw (5/16-18 X 2-41/64)	③416	36085	1	Spark Arrestor Kit (Includes 151)
③135	34645	1	Spark Plug-Resistor (R N 4C)	③420	730226A	0	Oil-Engine, S A E 5W30
③150	37039	2	Spring-Valve	③600	651013	1	Washer
③151	31673	2	Cap-Valve, Spring	①③708	907366A	1	Engine Replacement
③151A	40016A	1	Seal-Valve, Intake	①③709	754300C	1	Short Block Replacement
③153	36649	1	Guide-Rod, Push	①③999	730286	1	Winter Maintenance Kit (Includes 5W30 Oil)
③154	650913	2	Stud-Arm, Rocker	①③999	730296	1	Winter Maintenance Kit (Includes 0W30 Synthetic Oil)
③155	35624A	2	Arm-Rocker				
③157	650914	2	Nut (1/4-28)				

Engine Assembly No. 2 Tecumseh OH195SA-72566G



Engine Assembly No. 2 Tecumseh OH195SA-72566G

Ref	Part No.	Qty.	Description				
③19	37111	1	Spring-Throttle				
③19A	36750	1	Spring-Governor				
③20	32600	1	Seal-Oil				
③25D	37710	1	Baffle-Air (1 Piece, Electric Start)				
③60	36623A	1	Extension-Housing, Blower				
③65	30200	3	Screw (10-24 X 9/16)				
③90	611205	1	Flywheel				
③92	650815	1	Washer-Belleville				
③93	650816	1	Nut-Flywheel				
③100	34443C	1	Ignition-Solid State				
③101	610118	1	Cover-Spark Plug				
③103	651007	2	Screw (T-15, 10-24 X 15/16)				
③110	36230	1	Wire-Ground (Green, 9.0)				
③110A	36874	1	Wire-Ground (Green, 5.5)				
③186	36711	1	Link-Governor				
③200	36824A	1	Bracket-Control (Includes 206 And 215)				
③206	610973	2	Terminal				
③215	32410	1	Knob-Control				
③260	36901	1	Housing-Blower				
③281	36907A	1	Cover-Bubble, Starter				
③282	651035	1	Screw (6-32 X 25/64)				
③285	35985C	1	Cup-Starter				
③290	37963	1	Line-Fuel, Low Permeation (16.0)				
③291	37962	1	Line-Fuel, Low Permeation (8.62)				
③292	26460	4	Clamp-Line, Fuel				
③295	35857	1	Valve-Shut-Off, Fuel (Includes 292) (Also Available In Packaged Part 740073)				
③300B	37048	1	Fuel Tank ASM (Includes 292 And 301) 3.5 Quart				
③301	37845	1	Cap-Fuel (Red Plastic) (1-1/2 Id)				
③313	34080	1	Spacer				
③338	650821	8	Screw (10-32 X 1/2)				
③341	36644A	1	Bracket-Tank, Fuel				
③342	651008	9	Screw (1/4-20 X 31/64)				
③342B	651086	2	Washer-Rubber				
③350	570682A	1	Primer ASM (Also Available In Packaged Part 740101)				
③351	32180C	1	Line-Primer				
③355	590574	1	Handle-Starter, Mitten Grip (Also Available In Packaged Part 740053B)				
③390	590749	1	Starter-Rewind				
③707	651085	2	Screw (1/4-20 X 19/32)				

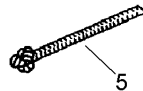
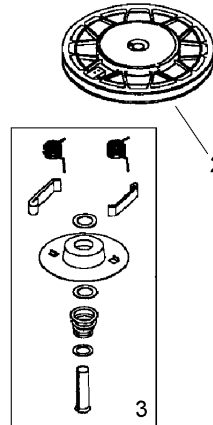
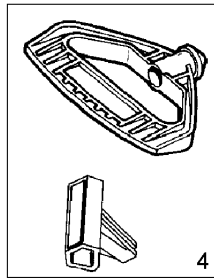
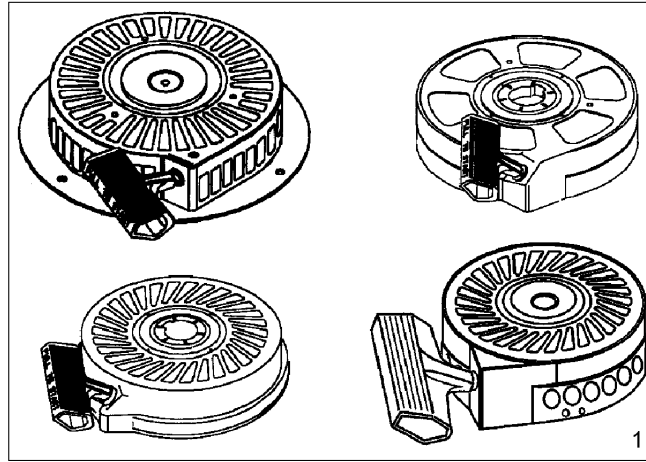


Carburetor Assembly No. 640058A Tecumseh OH195SA-72566G

Ref	Part No.	Qty.	Description
30	640058A	1	Carburetor ASM
31	631615	1	Throttle Shaft And Lever ASM
32	631767	1	Spring-Return, Throttle
44	631184	1	Washer-Seal, Dust
45	631183	1	Seal-Dust, Throttle
36	631036	1	Shutter-Throttle
47	650506	2	Screw-Shutter
10	632118	1	Choke Shaft And Lever ASM
14	631890	1	Shutter-Choke
15	630735	1	Spring-Positioning, Choke
16	632164	1	Fitting-Fuel
17	651025	1	Screw-Throttle Crack And Idle Speed
18	630766	1	Spring-Tension
20	640027	1	Screw-Restrictor, Idle
20A	640053	1	Cap-Screw, Idle Restrictor
25	631951	1	Float Bowl ASM
25	631867	1	Bowl-Float (No Drain)
427	631024	1	Shaft-Float
28	632802	1	Float (Plastic)
429	631028	1	O Ring-Bowl, Float
430	631021	1	Inlet Needle, Seat And Clip ASM
31	631022	1	Clip-Spring
32	27136A	1	Bowl Drain ASM

Ref	Part No.	Qty.	Description
33	27554	1	Gasket-Plunger, Drain
36	640019	1	Tube-Nozzle, Main
437	632547	2	O Ring-Nozzle Tube, Main
40	640059	1	Nut-Bowl, High Speed
44	27110A	1	Washer-Nut, Bowl
47	630748	1	Plug-Welch, Idle Mixture Well
48	631027	1	Plug-Welch, Atmospheric Vent
60	632760	1	Repair Kit

This illustration may not depict actual equipment and is for reference purposes only



Recoil Starter No. 590733 (Optional) Tecumseh OH195SA-72566G

Ref	Part No.	Qty.	Description
❶	590733	1	Starter-Rewind
❷	590709	1	Pulley And Rewind Spring ASM
❸	590774	1	Repair Kit
❹	590574	0	Handle-Starter, Mitten Grip (Also Available In Packaged Part #740053B)
❺	590535	1	Rope-Starter (98 Cut To Length)

--	--	--	--

Attachments and Accessories

For 38606 - 622R Power Throw Snowthrower

Product Name	Model/Part
22 Inch Drift Breaker	37-7022
Tire Chain Kit	56-2700
Snow Cab	88-0600

NOTES

NOTES

