

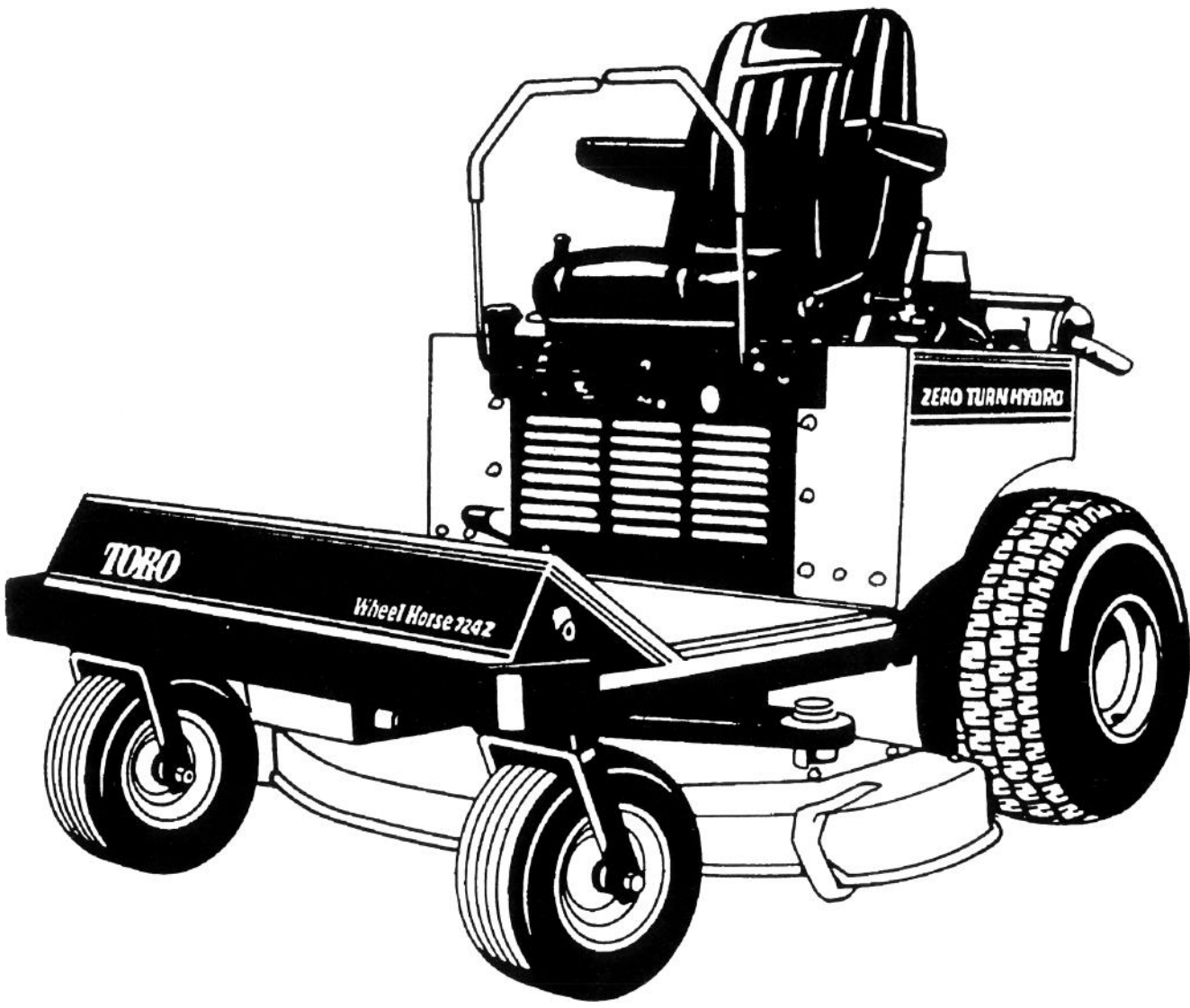
92



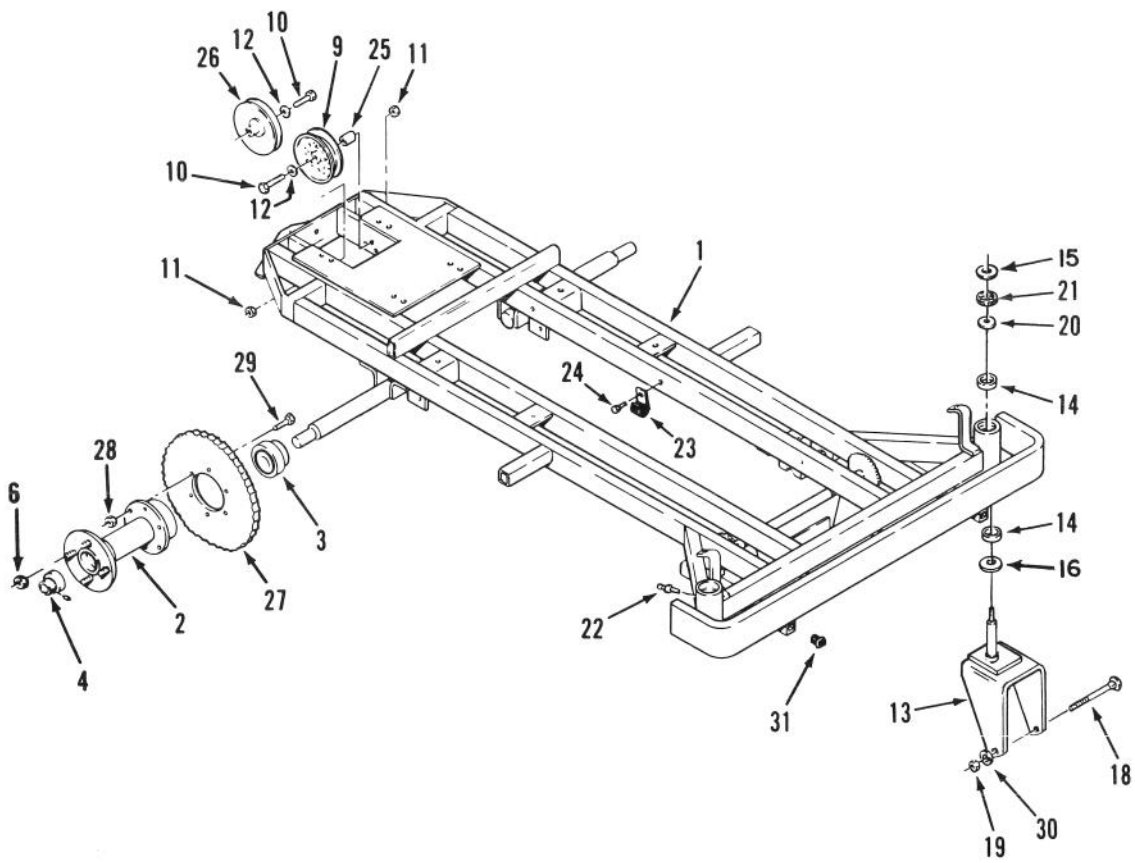
MODEL NO. Z1240E05-2000001 & UP

PARTS
CATALOG

WHEEL HORSE®
724-Z HYDROSTATIC MOWER



FRAME, REAR HUB AND FRONT WHEEL FORK



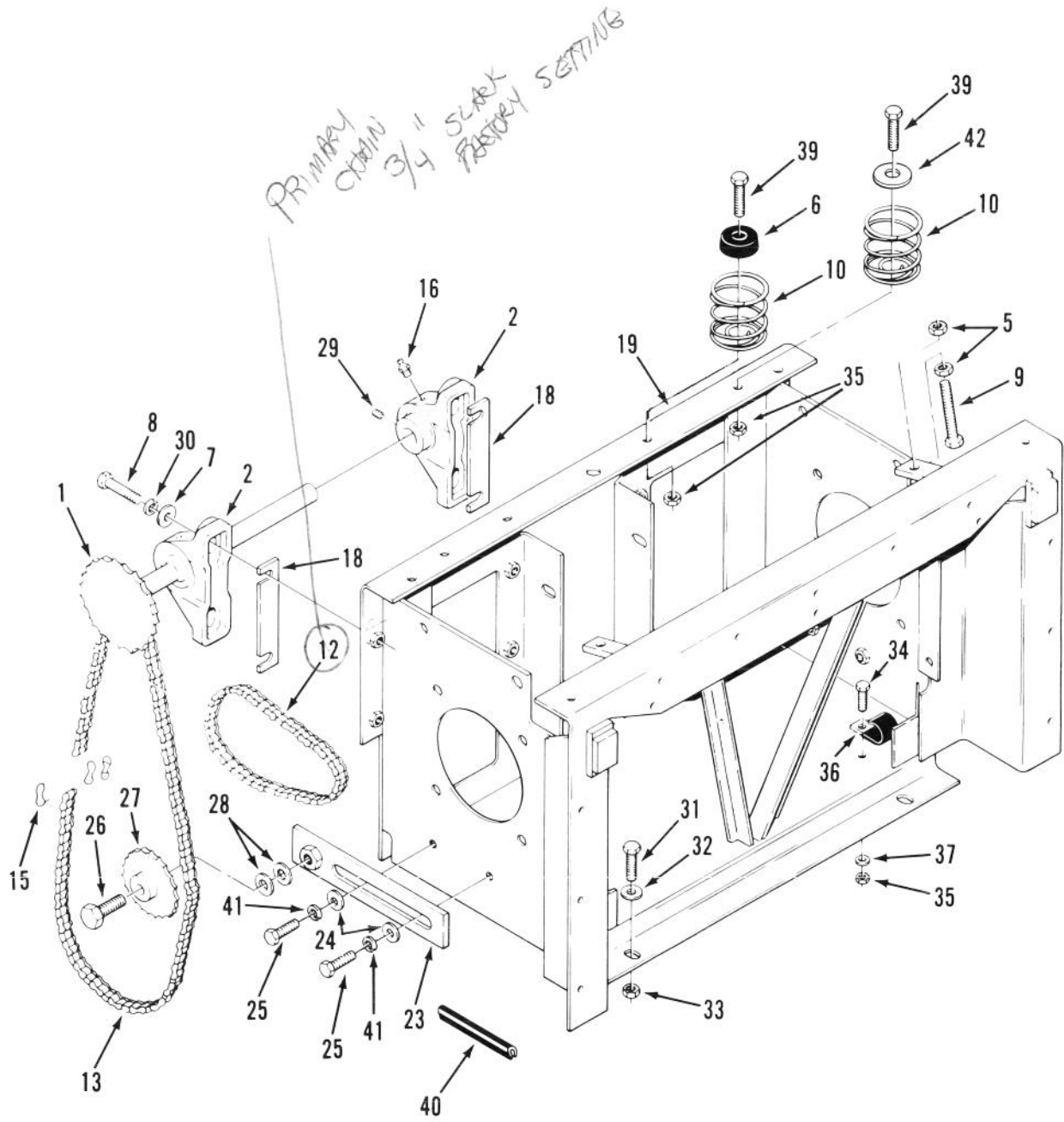
C-0911

FRAME, REAR HUB AND FRONT WHEEL FORK

Ref. No.	Part No.	Description	No. Used
1	78-9180	Frame w/Bumper	1
2	114293	Hub - Rear Wheel	2
3	113529	Axle Hub Bearing - Inner	2
4	113530	Axle Hub Bearing - Outer	2
6	114190	Nut - Lug 1/2-20	8
9	113633	Pulley - Flat Idler	1
10	323-10	Bolt 3/8-16 x 2	2
11	3296-39	Nut 3/8-16	2
12	3256-4	Washer 3/8 US	2
13	79-4210	Fork - Front Wheel	2
14	79-6050	Bushing - Front Bearing	4
15	32151-91	Ring - Retaining	2
16	9548	Washer - Thrust	2
18	327-15	Bolt 5/8-11 x 7	2

Ref. No.	Part No.	Description	No. Used
19	3217-30	Nut 5/8 x 11	2
20	920251	Washer 3/4	4
21	9547	Washer - Thrust	2
22	302-16	Fitting - Grease	2
23	8830	Clip	3
24	926671	Bolt 1/4-20 x 1/2	3
25	115101	Bushing	1
26	115102	Pulley - V-Idler	1
27	114295	Sprocket	1
28	3296-39	Nut 3/8-16	12
29	323-7	Bolt 3/8-16 x 1-1/4	12
30	3253-8	Washer - Lock 5/8	2
31	115226	Cap	2

TRANSMISSION DRIVE FRAME

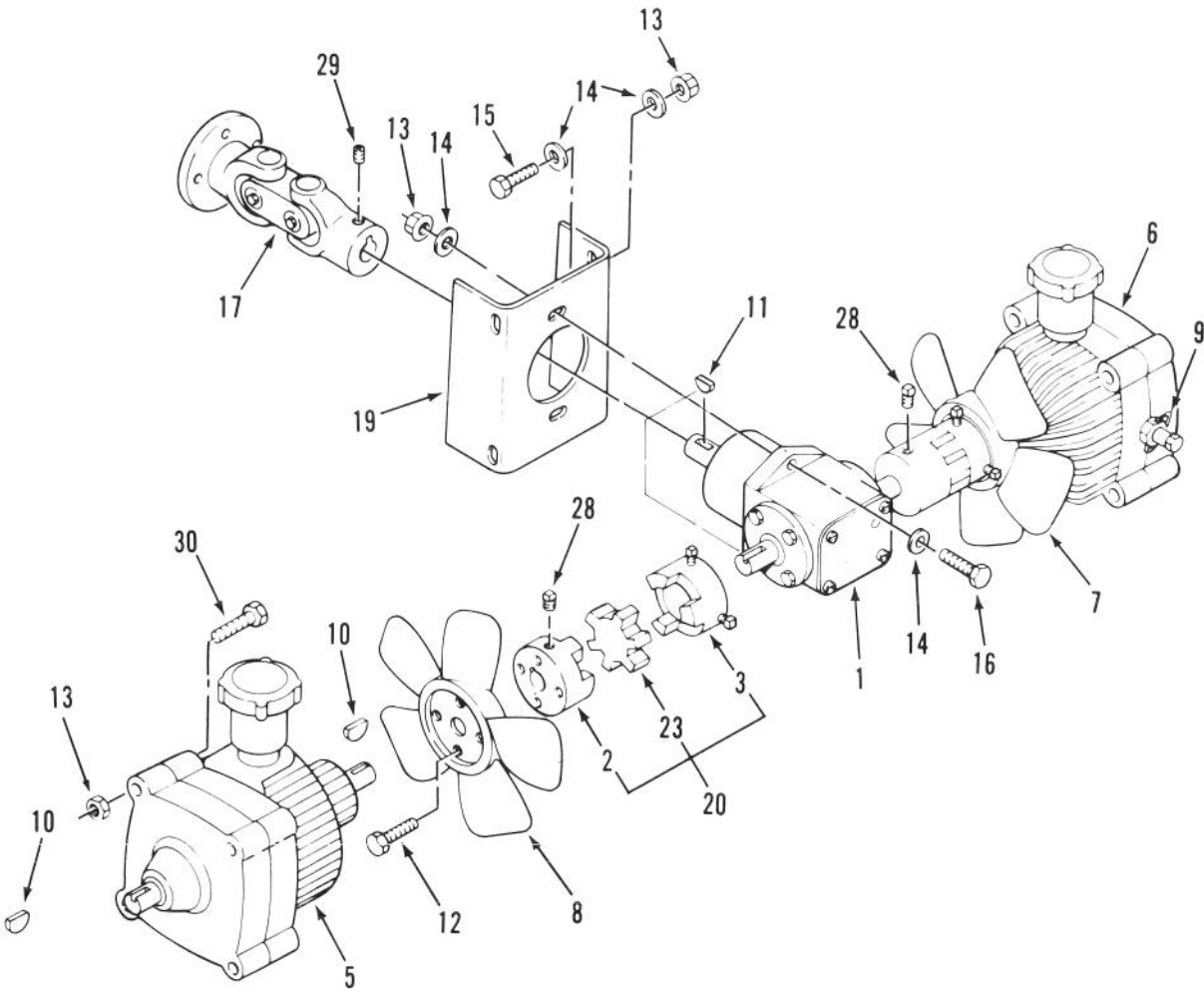


TRANSMISSION DRIVE FRAME

Ref. No.	Part No.	Description	No. Used
1	113671	Jackshaft	2
2	113531	Bearing – Pillow Block (Incl. Items 16 & 29)	4
5	3217-6	Nut 5/16-18	4
6	116839	Bumper	2
7	3256-4	Washer – Flat 3/8 US	8
8	323-8	Bolt 3/8-16 x 1-1/2	8
9	322-11	Screw – Machine, Hex Hd 5/16-18 x 1-3/4	2
10	114497	Spring – Seat	4
12	113691	Chain – Primary	2
13	116735	Chain – Secondary	2
15	109002	Link – Connecting	2
16	113353	Fitting – Grease	4
18	113567	Shim – Bearing	X
19	116888	Frame – Transaxle	1
23	112304	Bracket – Chain Tensioner	2
24	2844	Washer	4

Ref. No.	Part No.	Description	No. Used
25	323-6	Bolt – Hex 3/8-16 x 1	5
26	327-4	Bolt – Idler Sprocket 5/16-11 x 1-1/2	2
27	111887	Sprocket – Idler	2
28	3256-27	Washer 5/8 SAE	6
29	909848	Screw – Set 1/4-20 x 1/4	4
30	3253-21	Washer – Lock 3/8	4
31	323-6	Bolt 3/8-16 x 1	4
32	3256-24	Washer 3/8 SAE	2
33	3296-39	Nut 3/8-16	4
34	322-3	Bolt 5/16-18 x 3/4	2
35	3296-29	Nut 5/16-18	3
36	8830	Clip	1
37	3256-23	Washer – Flat 5/16 SAE	1
39	322-5	Bolt 5/16 – 18 x 1	4
40	115200	Edge – Trim	1
41	3253-21	Washer – Lock 3/8	4
42	2844	Washer	2

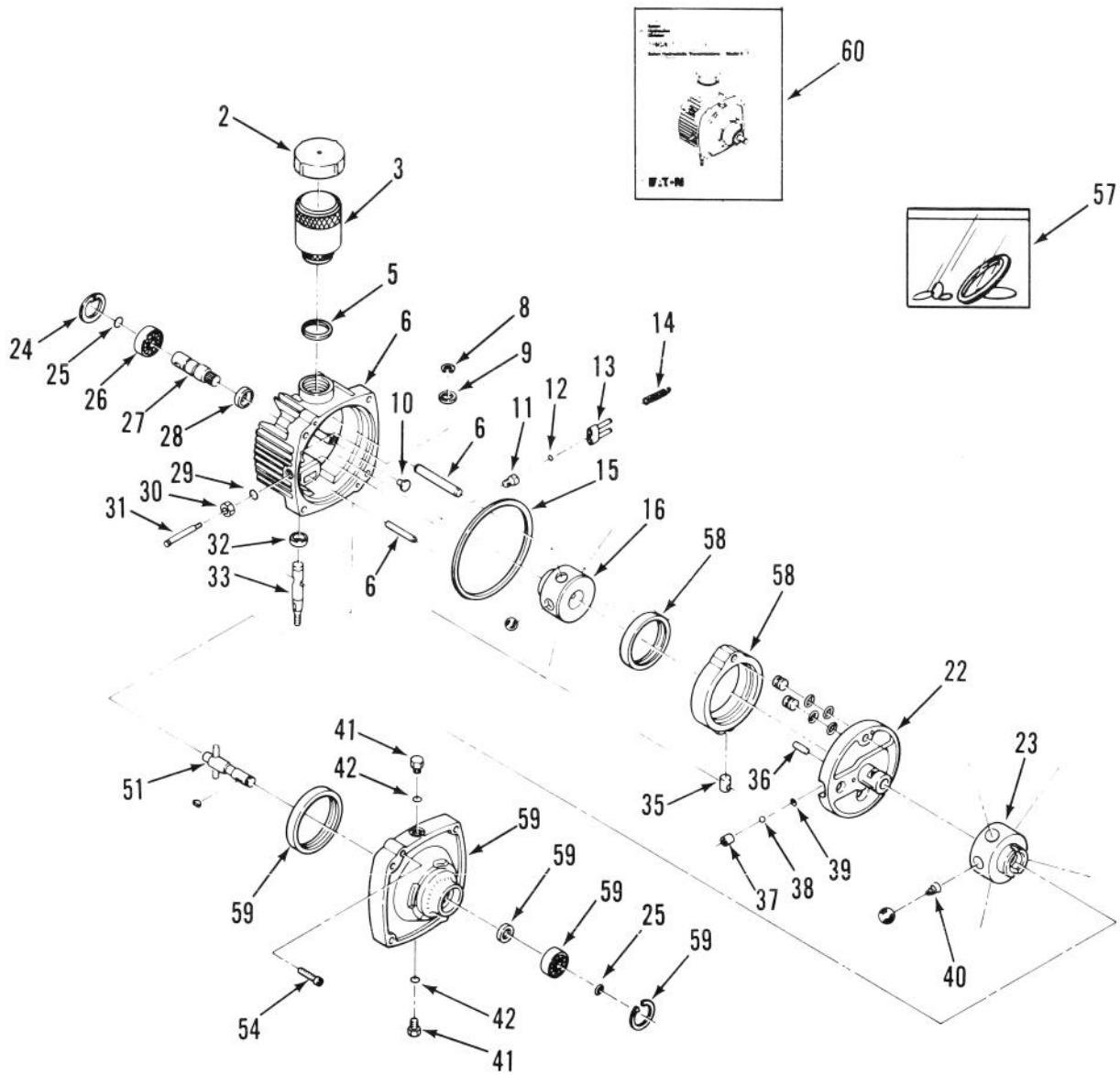
TRANSMISSION DRIVE



TRANSMISSION DRIVE

Ref. No.	Part No.	Description	No. Used	Ref. No.	Part No.	Description	No. Used
1	113640	Gear Box - "T" Peerless 794381 (Model 1000-010)	1	11	937225	Key - Hi-Pro 3/16 x 3/4	3
2	115856	Coupler - LJ, .875 x .1875 Keyway	2	12	926466	Screw #10-24 x 1/2	8
3	115857	Coupler - LJ, .670 x .125 Keyway	2	13	3296-39	Nut 3/8-16	14
5	113568	Transmission - Hydrostatic, Counterclockwise Rotation Input Shaft	1	14	3256-4	Washer 3/8 US	18
6	113569	Transmission - Hydrostatic, Clockwise Rotation Input Shaft	1	15	323-6	Bolt 3/8-16 x 1	4
7	113651	Fan - LH, Clockwise	1	16	323-7	Bolt 3/8-16 x 1-1/4	2
8	113650	Fan - RH Counterclockwise	1	17	113578	U-Joint - Double	1
9	115960	Clip - Dump Valve	2	19	117295	Bracket - Gearbox	1
10	937218	Key - Hi-Pro 1/2 x 1/8	4	20	113679	Coupler - Complete (Incl. Items 2, 3, & 23)	2
				23	113663	Spider - Coupling	2
				28	3248-6	Screw - Set Sq Hd 5/16-18 x 5/16	8
				29	3247-2	Screw - Set 3/8-16 x 1/2	2
				30	323-14	Bolt 3/8-16 x 3	8

HYDROSTATIC TRANSMISSION

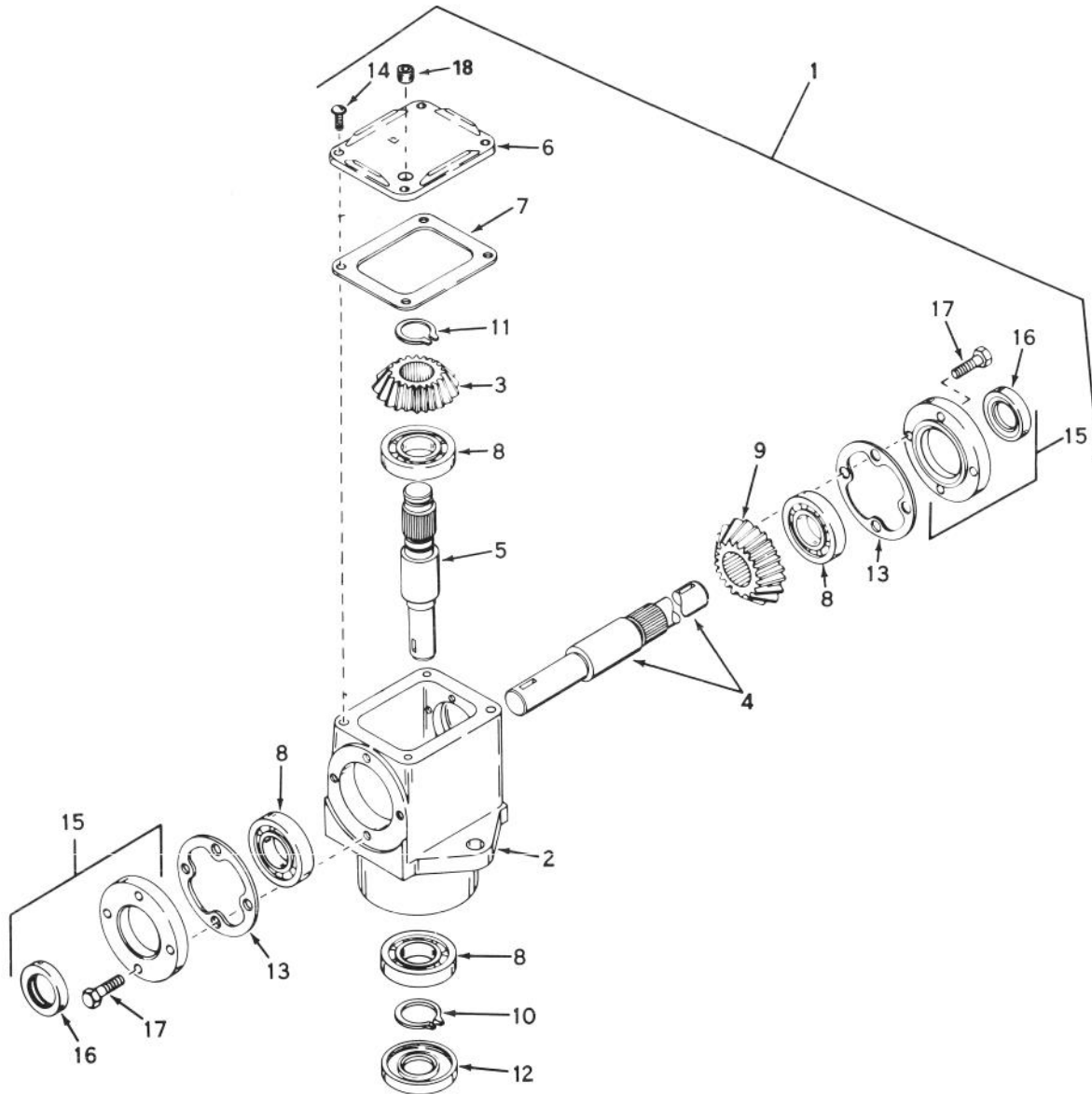


HYDROSTATIC TRANSMISSION

Ref. No.	Part No.	Description	No. Used
2	112589	Cover – Reservoir	2
3	112590	Body – Reservoir	2
5	112591	Seal – Ring, Sq (Incl. Item 57)	2
6	112625	Kit – Cover Service (Incl. Items # 8, 9, 28, 32 & 33)	1
8	112593	Ring – External Retaining (Incl. Item #6)	2
9	112594	Washer – Control Shaft (Incl. Item #6)	2
10	112595	Button	2
11	112626	Fitting – Guide Assembly, O–Ring (Incl. Item #12)	2
12	112627	Valve – Bracket (Incl. Items #11 & 57)	2
13	112628	Bracket & Pins Assembly	2
14	112629	Spring – Dump Valve	4
15	112596	Seal – Ring, Sq (Incl. Item #57)	2
16	112597	Rotor & Balls Assembly – Pump	2
22	112630	Pintle Assembly – Used in CCW rotation trans. Model #00700–023 (Incl. Items #36, 37, 38, & 39)	1
23	112599	Rotor & Balls Assembly – Motor (Also incl. Item #40)	2
24	112600	Ring – Retaining	2
25	112601	Ring – Retaining	2
26	112602	Bearing – Ball, Input	2
27	112603	Shaft – Input	2
28	112604	Seal – Oil (Incl. in Items # 6 & 57)	2
29	112631	O–Ring – Dump Valve (Incl. Item #57)	2
30	112632	Gasket Assembly	

Ref. No.	Part No.	Description	No. Used
		(Incl. Item # 57)	2
31	113633	Valve – Dump	2
32	112605	Seal – Oil (Incl. in Items #6 & 57)	2
33	112606	Kit – Control Shaft (Incl. in Item #6)	2
35	112607	Insert – Cam Ring	2
36	112608	Pin – Coil (Incl. Item # 22)	4
37	112609	Body – Check Valve (Incl. Item #22)	4
38	112610	Ball – Grade 200 5/16 O.D. (Incl. Item #22)	4
39	112611	Ring – Retaining (Incl. Item #22)	4
40	112612	Spring – Piston (Incl. Item #23)	10
41	112613	Plug Assembly – O–Ring (Incl. Item 42)	2
42	112614	O–Ring – Tube Fitting (Incl. Items #41 & 57)	2
51	112615	Shaft Assembly – Output (Incl. Item #59)	2
54	112616	Screw – Socket Hd	4
57	112618	Kit – Overhaul Sealing (Incl. Items #5, 11, 12, 15, 28, 29, 30, 32, & 42)	1
58	112619	Ring Sub–Assembly – Cam (Incl. Pump Race & Cam Ring)	2
59	112620	Body Assembly (Incl. Body, Oil Seal, Output Ball Bearing, Snap Ring, Retaining Ring, Motor Race, & Item #51)	2
60	740315	Manual – Hydrostatic Transmission Repair	1

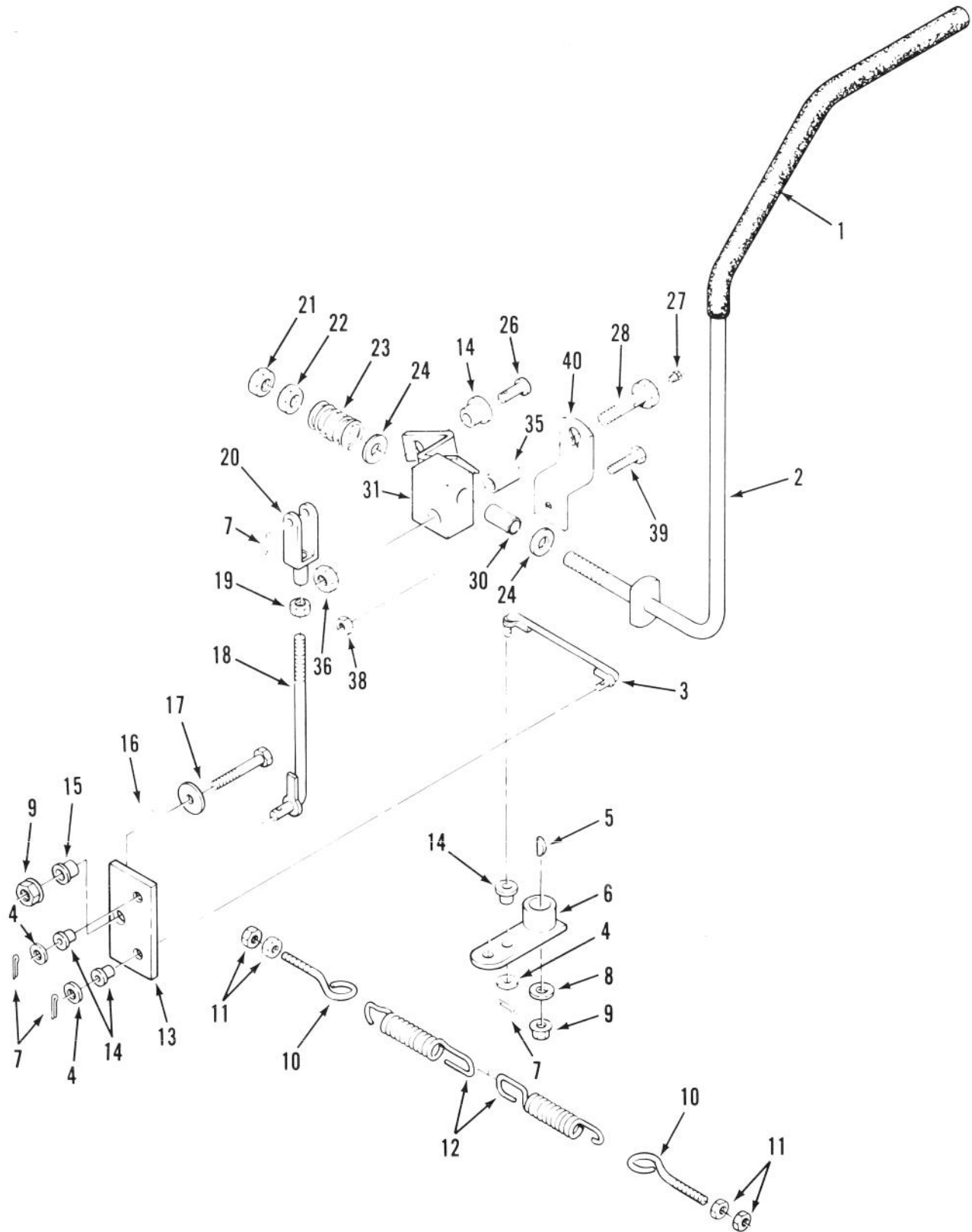
"T" GEARBOX ASSEMBLY



"T" GEARBOX ASSEMBLY

Ref. No.	Part No.	Description	No. Used	Ref. No.	Part No.	Description	No. Used
1	794381	Head Assy – T-Drive (Incl. Items #2 thru 15 & 18)	1	10	788019	Ring – Snap	1
2	770047A	Housing – T-Drive	1	11	788018	Ring – Snap	1
3	778101	Gear – Miter	1	12	788029	Seal – Oil	1
4	776127	Shaft – Input	1	13	788030	Gasket – Cap	2
5	776060A	Shaft – Output	1	14	792025	Screw – Pan Hd	4
6	772067	Cover	1	15	786029	Cap & Seal Assy – Retainer (Incl. Items #16 & 17)	2
7	788028	Cover – Gasket	1	16	788031	Seal – Oil	2
8	780034	Bearing – Ball	4	17	792026	Screw – Hex Hd	8
9	778210	Gear – Miter	1	18	28534	Plug – Pipe	1

TRANSMISSION DRIVE LINKAGE

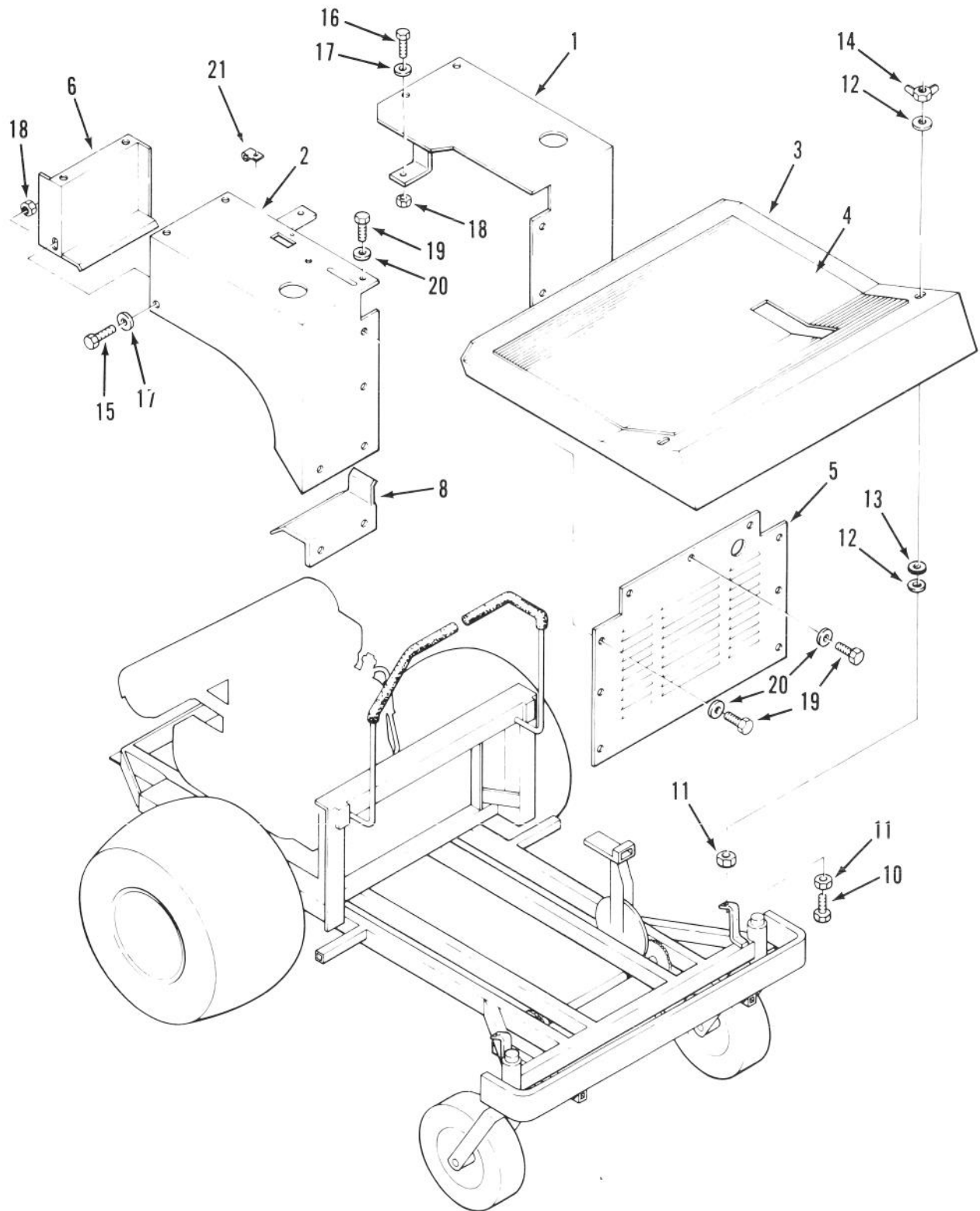


TRANSMISSION DRIVE LINKAGE

Ref. No.	Part No.	Description	No. Used
1	113563	Grip Handle – Control	2
2	117561	Lever – Steering LH	1
*	117560	Lever – Steering RH	1
3	78-7560	Linkage Drive, Lower RH	1
*	78-7570	Linkage Drive, Lower LH	1
4	920008	Washer 5/16 SAE	6
5	937082	Key – Woodruff 1/8 x 1/2	2
6	113680	Arm – Hydro Control	2
7	932017	Pin – Cotter	8
8	920009	Washer – Flat 3/8 SAE	2
9	915663	Nut 3/8-16	4
10	113688	Bolt – Eye 1/4-20	4
11	915111	Nut 1/4-20	8
12	113081	Spring – Neutral	4
13	79-1260	Block – Pivot	2
14	113509	Bushing – Nylon 296	8
15	104859	Spacer	2
16	2844	Washer – Special	2
17	908034	Bolt 3/8-16 x 1	2

Ref. No.	Part No.	Description	No. Used
18	113570	Linkage – Drive, Upper	2
19	915001	Nut – Hex 5/16-24 SAE	2
20	8812	Yoke – Threaded 5/16	2
21	915238	Nut – Jam 1/2-13	4
22	915115	Nut 1/2-13	2
23	113632	Spring	1
24	920257	Washer – Special	4
26	932957	Pin – Clevis 5/16 x 1	2
27	1030	Fitting – Grease	2
28	116460	Bolt – Shoulder (Incl. Item #27)	2
30	113675	Bushing – Bronze	2
31	114661	Pivot – Steering Lever LH	1
*	114662	Pivot – Steering Lever RH	1
35	115295	Bushing	1
36	915665	Nut 1/2-13	1
38	915662	Nut 5/16-18	1
39	908019	Bolt 5/16-18 x 1	1
40	79-0560	Strap	2

FENDERS AND COVERS



0880B

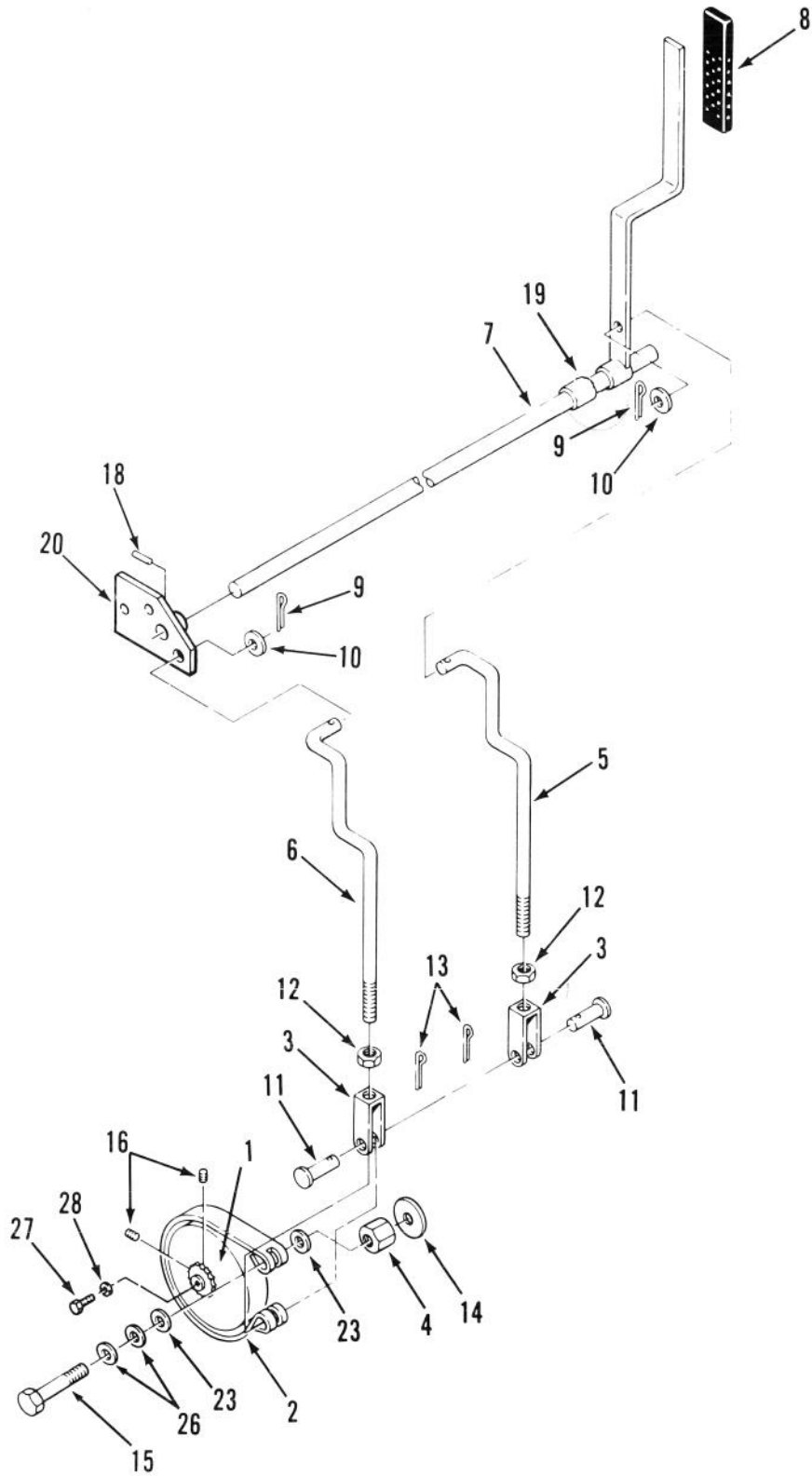
FENDERS AND COVERS

Ref. No.	Part No.	Description	No. Used
1	113659	Fender – LH	1
2	79-5630	Fender – RH	1
3	111891	Pan – Floor	1
4	114192	Carpet – Black	1
5	79-2710	Panel – Front	2
6	111909	Bracket – Fender, RH Rear	1
*	111910	Bracket – Fender, LH Rear	1
8	111911	Bracket – Fender, RH Front	1
*	111912	Bracket – Fender, LH Front	1
10	322-41	Bolt 5/16 x 1-3/4	2
11	3217-6	Nut 5/16-18	4

Ref. No.	Part No.	Description	No. Used
12	920249	Washer – Fender 3/8	4
13	107675	Washer – Rubber	2
14	915585	Nut – Wing 5/16-18	2
15	908002	Bolt 1/4-20 x 5/8	10
16	908003	Bolt 1/4-20 x 3/4	2
17	920007	Washer – Flat 1/4 SAE	10
18	915661	Nut 1/4-20	10
19	926671	Bolt 1/4-20 x 1/2	11
20	920037	Washer 1/4 US	11
21	111357	Clip	1

*Not Illustrated

PARKING BRAKE



0653A

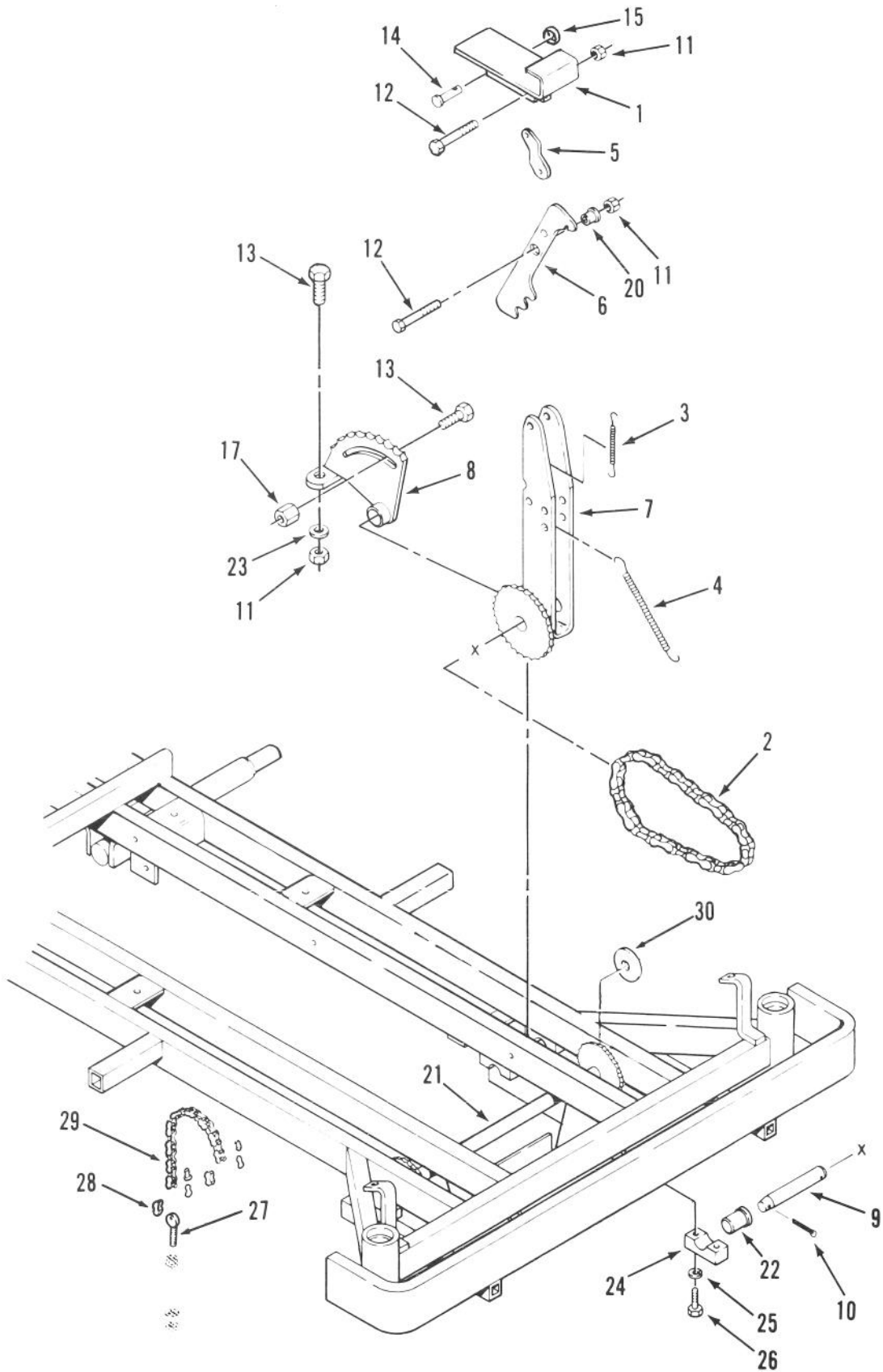
PARKING BRAKE

Ref. No.	Part No.	Description	No. Used
1	113518	Sprocket & Drum #50	2
2	113624	Bands - Brake	2
3	113623	Yoke - Threaded 5/16-24	2
4	113690	Nut - Coupling Rod 3/8-16 x 7/8	
5	115793	Rod - Brake LH	1
6	115794	Rod - Brake RH	1
7	113668	Rod Assembly - Brake	1
8	111922	Grip PTO & Brake - Handle	2
9	932008	Pin - Cotter 3/32 x 3/4	2
10	920008	Washer - Flat 1/4	2
11	932958	Pin - Clevis 5/16 x 1-1/4	2

Ref. No.	Part No.	Description	No. Used
12	915001	Nut 5/16-24	2
13	932008	Pin - Cotter 3/32 x 3/4	2
14	2844	Washer	2
15	908035	Bolt 3/8-16 x 1-1/4	2
16	909848	Setscrew 1/4-20 x 1/4	2
18	933168	Pin - Spirol 5/32 x 13/16	1
19	113665	Spacer	1
20	116478	Lever - Parking Brake	1
23	920009	Washer 3/8 SAE	1
26	108571	Washer - Spring	4
27	908002	Bolt 1/4-20 x 5/8	1
28	103995	Washer	1

*Not Illustrated

ATTACHMENT HEIGHT CONTROL



1046B

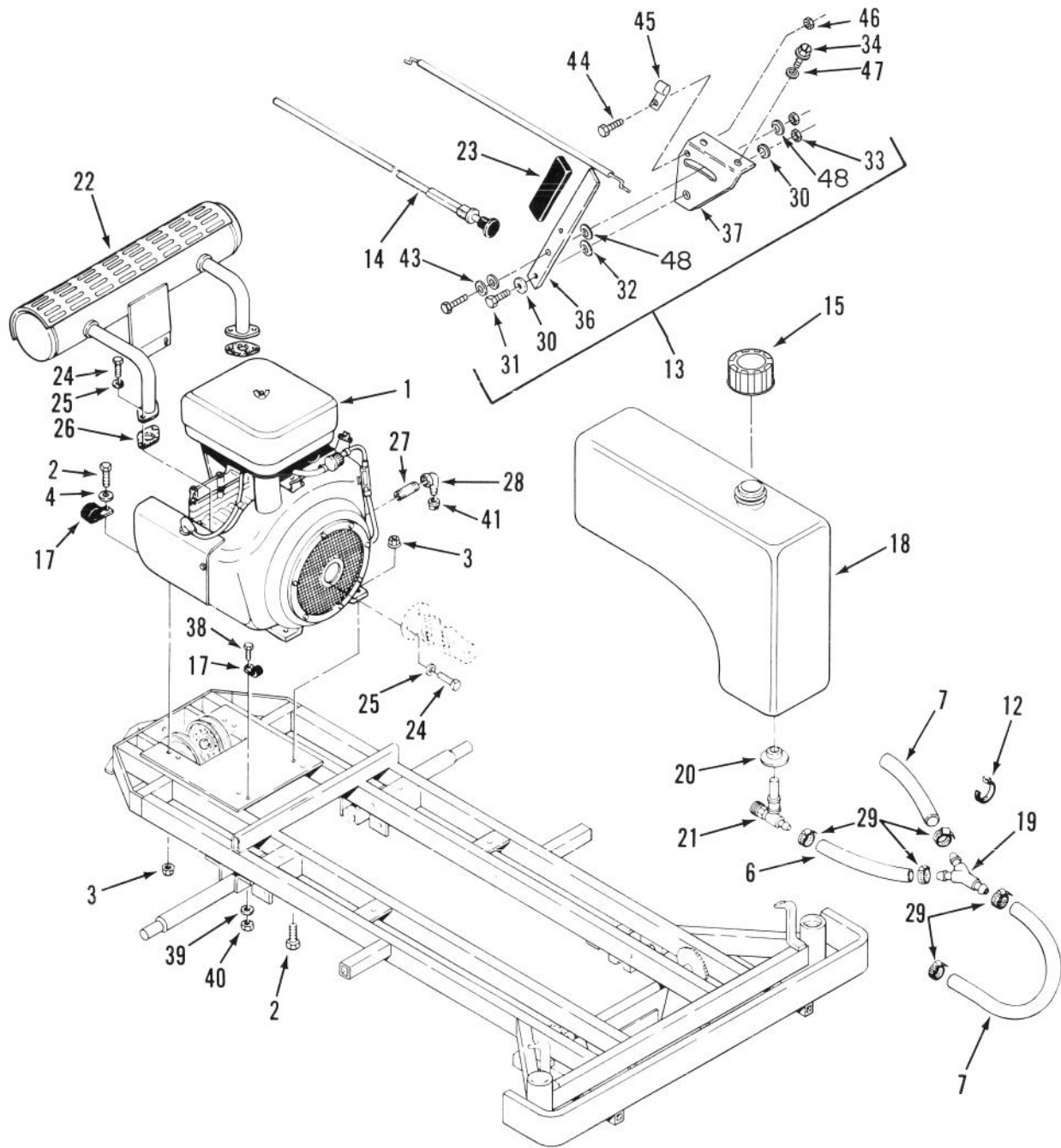
ATTACHMENT HEIGHT CONTROL

Ref. No.	Part No.	Description	No. Used
1	112954	Pedal – Foot	1
2	115855	Chain – Foot Pedal	2
3	113081	Spring – Foot, Short	1
4	114183	Spring – Foot, Long	1
5	112955	Link – Pivot	1
6	112956	Arm – Lift Pawl	1
7	112957	Lever Arm & Sprocket Assy	1
8	112958	Sprocket – Height Control	1
9	113149	Pin	1
10	3272-19	Pin – Cotter 5/32 x 1-3/4	2
11	915662	Nut 5/16-18	2
12	908022	Bolt 5/16-18 x 1-3/4	2
13	908019	Bolt – Hex 5/16-18 x 1	2
14	114613	Pin – Clevis	1
15	100307	Ring – Retaining	1

Ref. No.	Part No.	Description	No. Used
17	112941	Nut – Hex, Special	1
20	113146	Bushing – Pawl Pivot	1
21	113684	Sprocket Assembly	1
22	113687	Bearing – Flanged	4
23	920008	Washer – Flat 5/16 SAE	
24	113562	Clamp – Cross Shaft (Incl. w/frame)	1
25	920083	Washer – Lock 3/8 (Incl. w/frame)	8
26	908035	Bolt 3/8-16 x 1-1/4 (Incl. w/frame)	8
27	113697	Bolt – Eye 3/8-16 x 2-1/8	2
28	6392	Link – Master #40	2
29	113699	Chain – Link, Mower Deck	2
30	920225	Washer	2

*Not Illustrated

ENGINE AND FUEL SYSTEMS



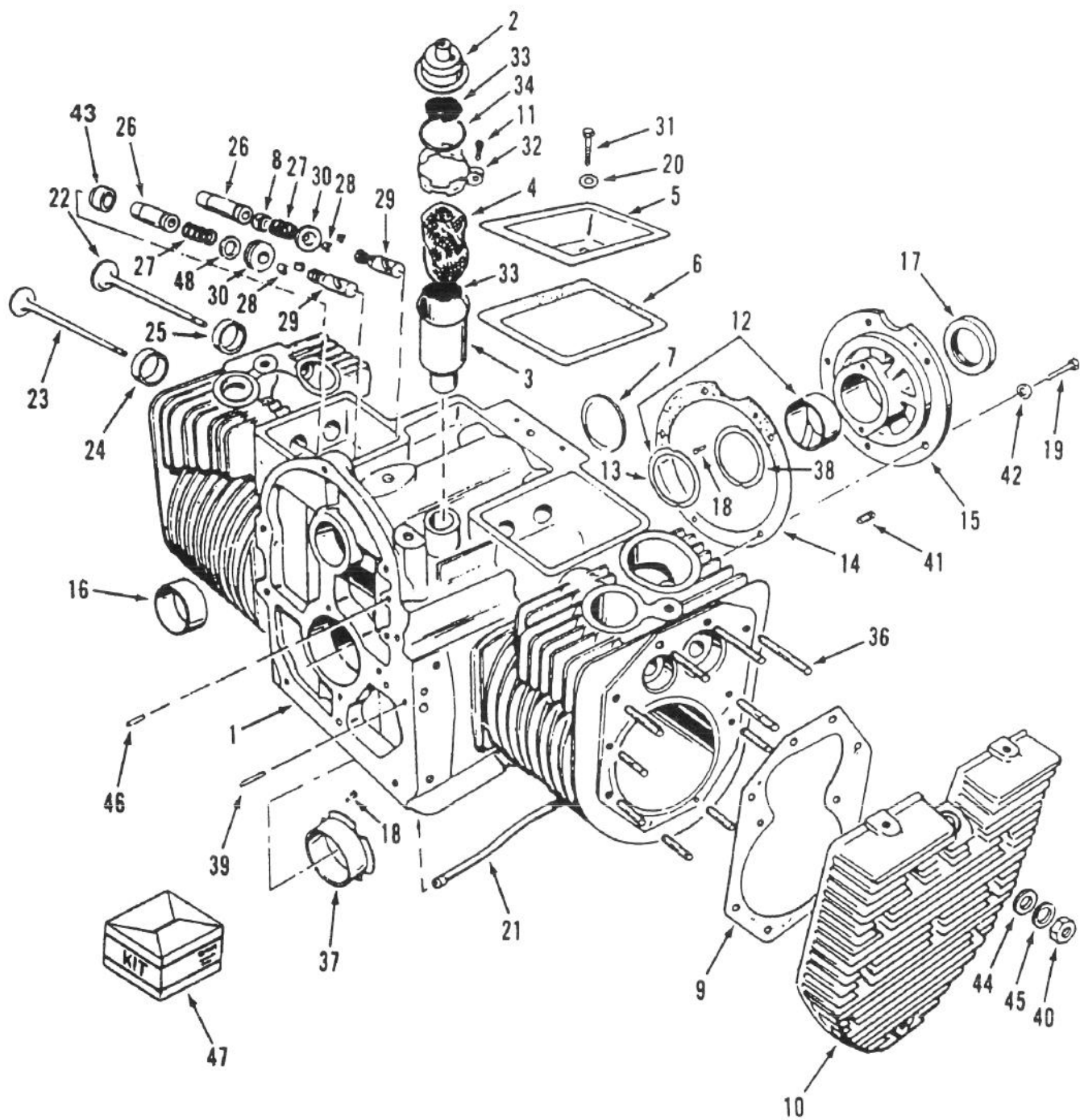
ENGINE AND FUEL SYSTEMS

Ref. No.	Part No.	Description	No. Used
1	116967	Engine – 24 HP Toro Power Plus P224 G I/10966	
		Spec. D Engine	1
*	79-5250	Engine – 24 HP Toro Power Plus P224 G I/10966	
		Spec. E Engine	1
2	908036	Bolt 3/8-16 x 1-1/2	4
3	915663	Nut 3/8-16 x 1-1/2	4
4	920039	Washer 3/8 US	2
6	111914	Line – Fuel (5")	1
7	113692	Line – Fuel (29.5")	2
12	113589	Straps – Tie	4
13	114159	Control – Throttle (Incl. Items #30 thru 33, 36 & 37)	1
14	113693	Control – Choke	1
15	55-3570	Cap – Fuel	1
17	8830	Clip	2
18	78-3270	Tank – Fuel (Incl. Items #20 & 21)	2
19	111879	Fitting – Fuel Line	2
20	104047	Bushing	2
21	104048	Valve Assembly – Fuel	2
22	117580	Muffler	1
23	111922	Grip – Handle	1
24	908019	Bolt 5/16-18 x 1	8

Ref. No.	Part No.	Description	No. Used
25	920082	Washer – Lock 5/16	8
26	114514	Gasket – Exhaust	2
27	114636	Nipple 3/8 x 2-1/2	1
28	115162	Elbow 3/4	1
29	108898	Clamp – Hose	5
30	3256-24	Washer – 3/8	1
31	323-6	Bolt	2
32	920230	Spacer	2
33	108881	Nut	2
34	321-2	Screw x 1/4-20 x 1-1/2	2
35	915740	Nut – Elastic #10-24	2
36	79-4800	Handle	1
37	79-4950	Bracket & Cable – Throttle	1
38	908017	Bolt 5/16-18 x 3/4	1
39	920008	Washer – Flat SAE 5/16	1
40	915662	Nut 5/16-18	1
41	5224	Cap	1
42	810697R1	Manual – Toro Power Plus Service	1
43	100365	Washer – Lock	2
44	960140	Screw	2
45	7059	Clip	1
46	5924	Nut	1
47	3253-3	Washer – Lock 1/4	2
48	100305	Washer – Friction	2

*Not Illustrated

ENGINE CYLINDER BLOCK P224 G Spec. D

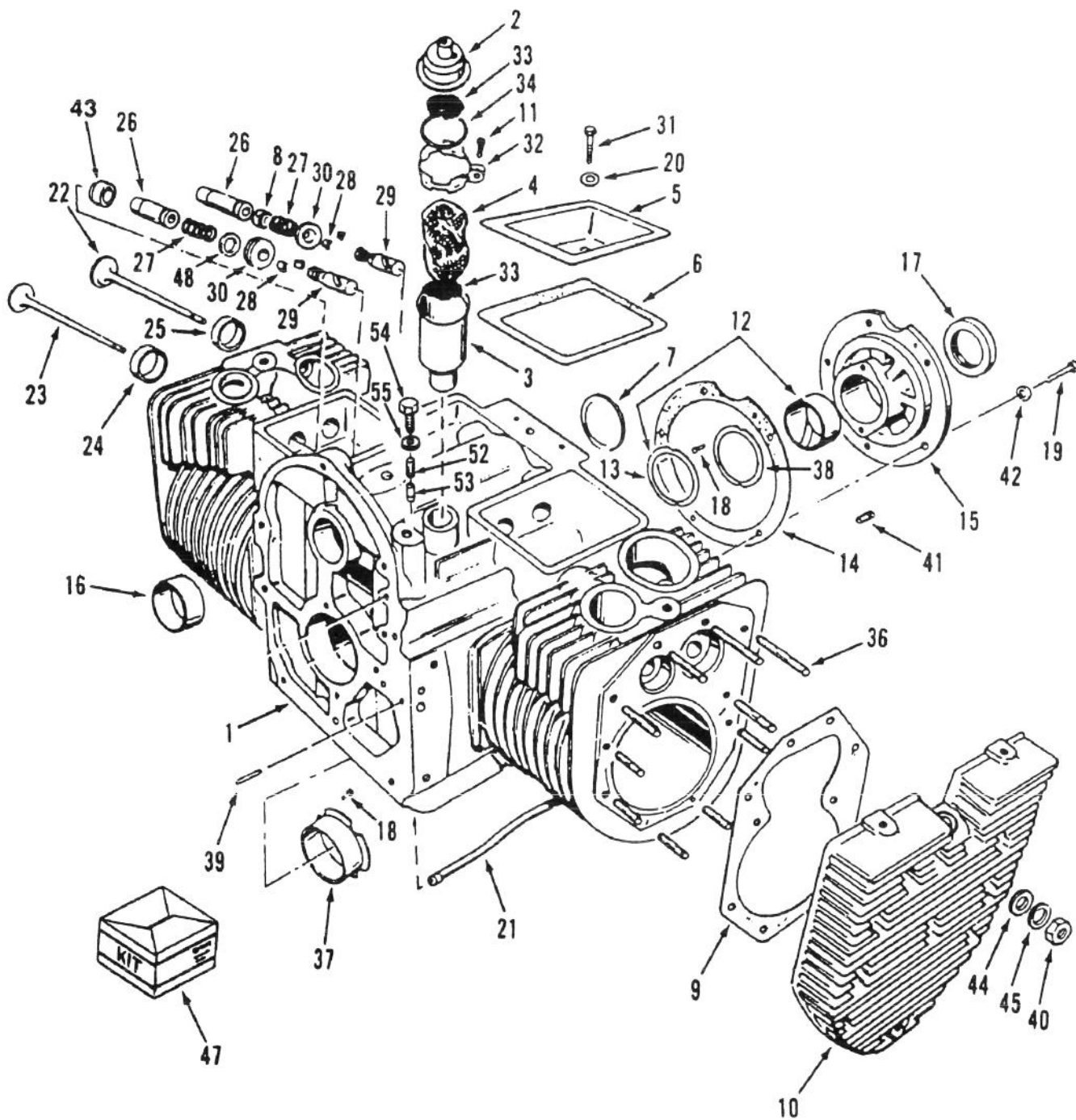


ENGINE CYLINDER BLOCK

Ref. No.	Part No.	Description	No. Used	Ref. No.	Part No.	Description	No. Used
1	NN10692	Block – Short 24 HP. Spec. D Engine (Incl. Items #3, 7, 13–16, 18, 21, 24–26, 30, 36, 38, & 39)	1	*	NN10920	Insert – Intake Seat .005" Oversize	2
2	82–0550	Cap & Valve – Breather	1	*	NN10921	Insert – Intake Seat .010" Oversize	2
3	82–0540	Tube – Breather	1	*	NN10922	Insert – Intake Seat .025" Oversize	2
4	57–8580	Baffle – Breather Tube	1	26	82–0140	Guide – Exhaust Valve	2
5	82–0280	Cover – Valve Compartment	2	*	82–0150	Guide – Intake Valve	2
6	82–0260	Gasket – Valve Cover	2	27	NN10040	Spring – Valve	4
7	NN10536	Plug – Expansion	1	28	82–0250	Lock – Valve Spring	8
8	82–0720	Seal – Intake Valve	2	29	57–8450	Tappet – Valve STD	4
9	82–0130	Gasket – Cylinder Head	2	*	59–0270	Tappet – Valve .005	4
10	82–0210	Cylinder Head	2	30	NN10043	Rotator – Valve	2
11	82–1480	Screw – Round Hd S.T.	1	31	82–1380	Bolt	2
12	57–8050	Bearing – Crankshaft, Rear STD	1	32	82–0530	Clamp – Breather Tube	1
*	59–0020	Bearing – Crankshaft, Rear .002 Under	1	33	82–0560	Screen – Breather Tube	2
*	57–8060	Bearing – Crankshaft, Rear .010 Under	1	34	82–0570	Seal – Breather	1
*	59–0030	Bearing – Crankshaft, Rear .020 Under	1	36	NN10351	Mtg. Stud – Cylinder Hd (Install 4 Bottom Holes LH, RH Hd)	8
*	59–0040	Bearing – Crankshaft, Rear .030 Under	1	*	NN10349	Mtg. Stud – Cylinder Hd (2 Top Holes LH, RH Hd)	4
13	NN10476	Washer – Crankshaft Bearing, Thrust	2	*	NN10350	Mtg. Stud – Cylinder Hd (4 Middle Holes LH, RH Hd)	8
14	57–8010	Gasket – Bearing Plate	1	37	57–8020	Bearing – Flanged Sleeve STD	1
15	57–8040	Plate – Chromed Bearing, Rear STD.	1	*	57–9360	Bearing – Flanged Sleeve .002 Under	1
16	57–8000	Bearing – Camshaft	2	*	57–8030	Bearing – Flanged Sleeve .010 Under	1
17	NN10321	Seal – Oil Crankshaft 1/2	1	*	57–9800	Bearing – Flanged Sleeve .020 Under	1
18	59–0730	Pin – Bearing Stop	4	*	59–0010	Bearing – Flanged Sleeve .030 Under	1
19	59–0880	Bolt	5	38	NN10023	Shim – Crankshaft, .005	A/R
20	NN10359	Washer – Flat, Copper	2	39	NN10336	Pin – Gearcase Alignment	2
21	82–0480	Tube – Oil Crankcase	1	40	82–0040	Nut	20
22	82–0220	Valve – Intake	2	41	NN10385	Screw	2
23	82–0230	Valve – Exhaust	2	42	82–1640	Washer – Lock	5
24	82–0080	Insert – Exhaust Seat STD	2	43	82–0240	Cap – Exhaust Valve	2
*	82–0090	Insert – Exhaust Seat .002" Oversize	2	44	NN10540	Washer	24
*	82–0100	Insert – Exhaust Seat .005" Oversize	2	45	82–1650	Washer	24
*	82–0110	Insert – Exhaust Seat .010" Oversize	2	46	NN10339	Plug	1
*	82–0120	Insert – Exhaust Seat .025" Oversize	2	47	NN10923	Kit – Gasket, Carbon Removal	1
25	NN10918	Insert – Intake Seat STD	2	*	NN10903	Kit – Gasket, Engine	1
*	NN10919	Insert – Intake Seat .002" Oversize	2	48	82–0070	Washer	2
				*	59–0070	Plug – Breather Hole	1

*Not Illustrated

ENGINE CYLINDER BLOCK P224 G Spec. E

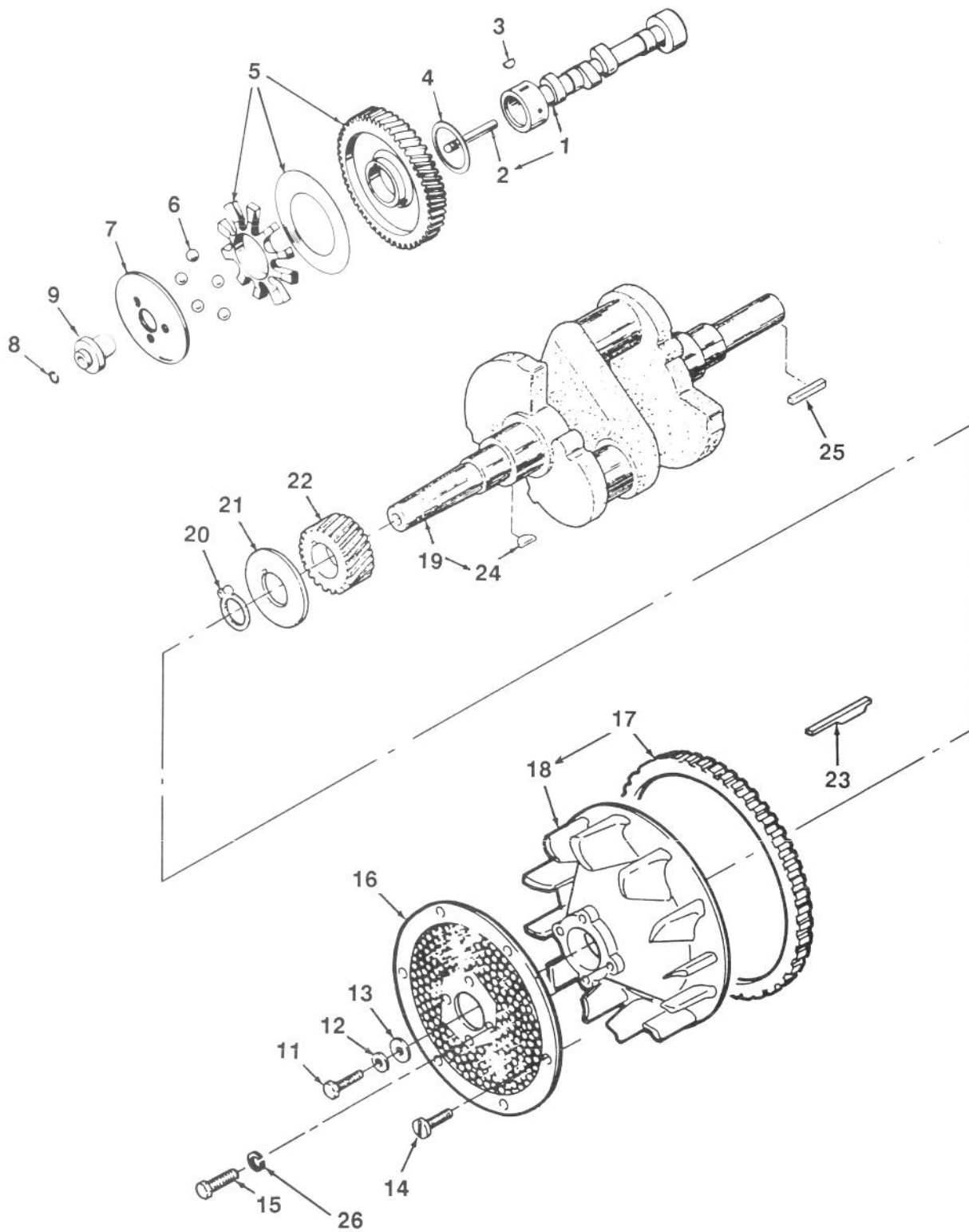


ENGINE CYLINDER BLOCK P224 G Spec. E

Ref. No.	Part No.	Description	No. Used	Ref. No.	Part No.	Description	No. Used
1	92-0924	Block - Short 24 HP. Spec E (Incl. Items 3, 7, 13-16, 18, 21, 24-26, 30, 36, 38, & 39)	1	*	82-0180	Insert - Intake Seat .002" Oversize	2
2	82-0550	Cap & Valve - Breather	1	*	92-0925	Insert - Intake Seat .005" Oversize	2
3	82-0540	Tube - Breather	1	*	92-0926	Insert - Intake Seat .010" Oversize	2
4	57-8580	Baffle - Breather Tube	1	*	92-0927	Insert - Intake Seat .025" Oversize	2
5	NN10045	Cover - Valve Compartment	2	26	82-0140	Guide - Exhaust Valve	2
6	82-0260	Gasket - Valve Cover	2	*	82-0150	Guide - Intake Valve	2
7	NN10536	Plug - Expansion	1	27	NN10040	Spring - Valve	4
8	82-0270	Seal - Intake Valve	2	28	82-0250	Lock - Valve Spring	8
9	82-0130	Gasket - Cylinder Head	2	29	57-8450	Tappet - Valve STD	4
10	82-0210	Cylinder Head	2	*	59-0270	Tappet - Valve .005	4
11	82-1480	Screw - Round Hd	1	30	57-8270	Rotator - Valve	2
12	57-8050	Bearing - Crankshaft , Rear STD	1	31	82-1380	Bolt	2
*	59-0020	Bearing - Crankshaft, Rear .002 Under	1	32	82-0530	Clamp - Breather Tube	1
*	57-8060	Bearing - Crankshaft, Rear .010 Under	1	33	82-0560	Screen - Breather Tube	2
*	59-0030	Bearing - Crankshaft, Rear .020 Under	1	34	82-0570	Seal - Breather	1
*	59-0040	Bearing - Crankshaft, Rear .030 Under	1	36	92-0928	Mtg. Stud - Cylinder Hd (Install 4 Bottom Holes LH, RH Hd)	8
13	NN10476	Washer - Crankshaft Bearing, Thrust	2	*	92-0929	Mtg. Stud - Cylinder Hd (2 Top Holes LH, RH Hd)	4
14	57-8010	Gasket - Bearing Plate	1	*	92-0932	Mtg. Stud - Cylinder Hd (4 Middle Holes LH, RH Hd)	8
15	57-8040	Plate - Bearing, STD. Rear	1	37	57-8020	Bearing - Flanged Sleeve STD	1
16	57-8000	Bearing - Camshaft	2	*	57-9360	Bearing - Flanged Sleeve .002 Under	1
17	NN10321	Seal - Oil Crankshaft	1	*	57-8030	Bearing - Flanged Sleeve .010 Under	1
18	59-0730	Pin - Bearing Stop	4	*	57-9800	Bearing - Flanged Sleeve .020 Under	1
19	59-0880	Bolt	5	*	59-0010	Bearing - Flanged Sleeve .030 Under	1
20	NN10359	Washer - Flat, Copper	2	38	NN10023	Shim - Crankshaft Thrust .005	A/R
21	82-0480	Tube - Oil Crankcase	1	39	NN10336	Pin - Gearcase Alignment	2
22	82-0220	Valve - Intake	2	40	82-0040	Nut	20
23	82-0230	Valve - Exhaust	2	41	NN10385	Screw	2
24	82-0080	Insert - Exhaust Seat STD	2	42	82-1310	Washer - Lock	5
*	82-0090	Insert - Exhaust Seat .002" Oversize	2	43	82-0240	Cap - Exhaust Valve	2
*	82-0100	Insert - Exhaust Seat .005" Oversize	2	44		Washer - Lock	24
*	82-0110	Insert - Exhaust Seat .010" Oversize	2	47	NN10923	Kit - Gasket, Carbon Removal	1
*	82-0120	Insert - Exhaust Seat .025"	2	48	82-0070	Washer	2
25	82-0160	Insert - Intake Seat STD	2				

*Not Illustrated

CRANKSHAFT, CAMSHAFT AND FLYWHEEL



C-0943

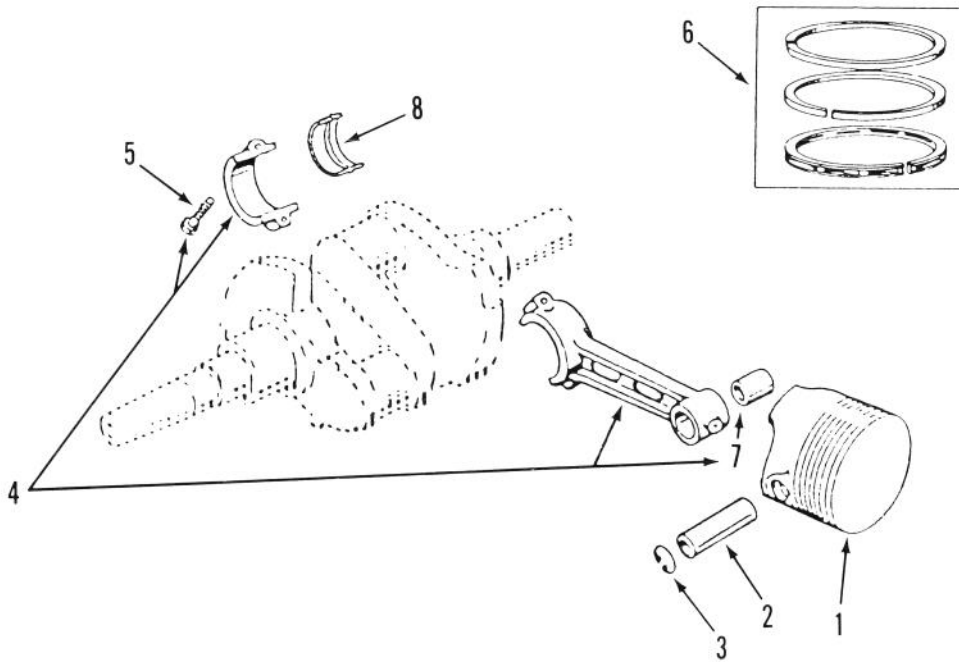
CRANKSHAFT, CAMSHAFT AND FLYWHEEL

Ref. No.	Part No.	Description	No. Used
1	82-0880	Camshaft (Incl. Center Pin)	1
2	59-0400	Pin - Camshaft	1
3	57-9660	Key - Camshaft Gear	1
4	57-8230	Washer - Thrust	1
5	57-8210	Gear - Camshaft (Incl. Plate & Spacer)	1
6	57-9640	Ball - Governor Fly	5
7	59-0450	Cup - Governor	1
8	57-9090	Ring - Retaining	9
9	57-9130	Hub - Governor Cup	1
11	57-8120	Bolt - Special	1
12	82-1320	Washer - Flat	1
13	59-0810	Washer - Flat	1
14	NN10409	Screw	6
15	59-1120	Bolt	4
16	71-5900	Guard - Flywheel Spec. D Engine	1
	79-6440	Guard - Flywheel Spec. E Engine	1

Not Illustrated

Ref. No.	Part No.	Description	No. Used
17	57-8110	Ring - Gear Spec. D Engine	1
	NN10024	Ring - Gear Spec. E Engine	1
18	82-0610	Flywheel (Incl. Ring - Gear)	1
19	NN10026	Crankshaft (Incl. Keys)	1
20	57-9710	Ring - Retaining	1
21	57-8140	Washer - Gear Retaining	1
22	57-8130	Gear - Crankshaft Spec. D Engine	1
	92-0941	Gear - Crankshaft Spec. E Engine	1
23	71-6190	Key - Flywheel	1
24	57-9660	Key - Crankshaft Gear	1
25	NN10331	Key - Crankshaft Stub	1
26	82-1630	Washer - Lock	4

PISTON AND ROD

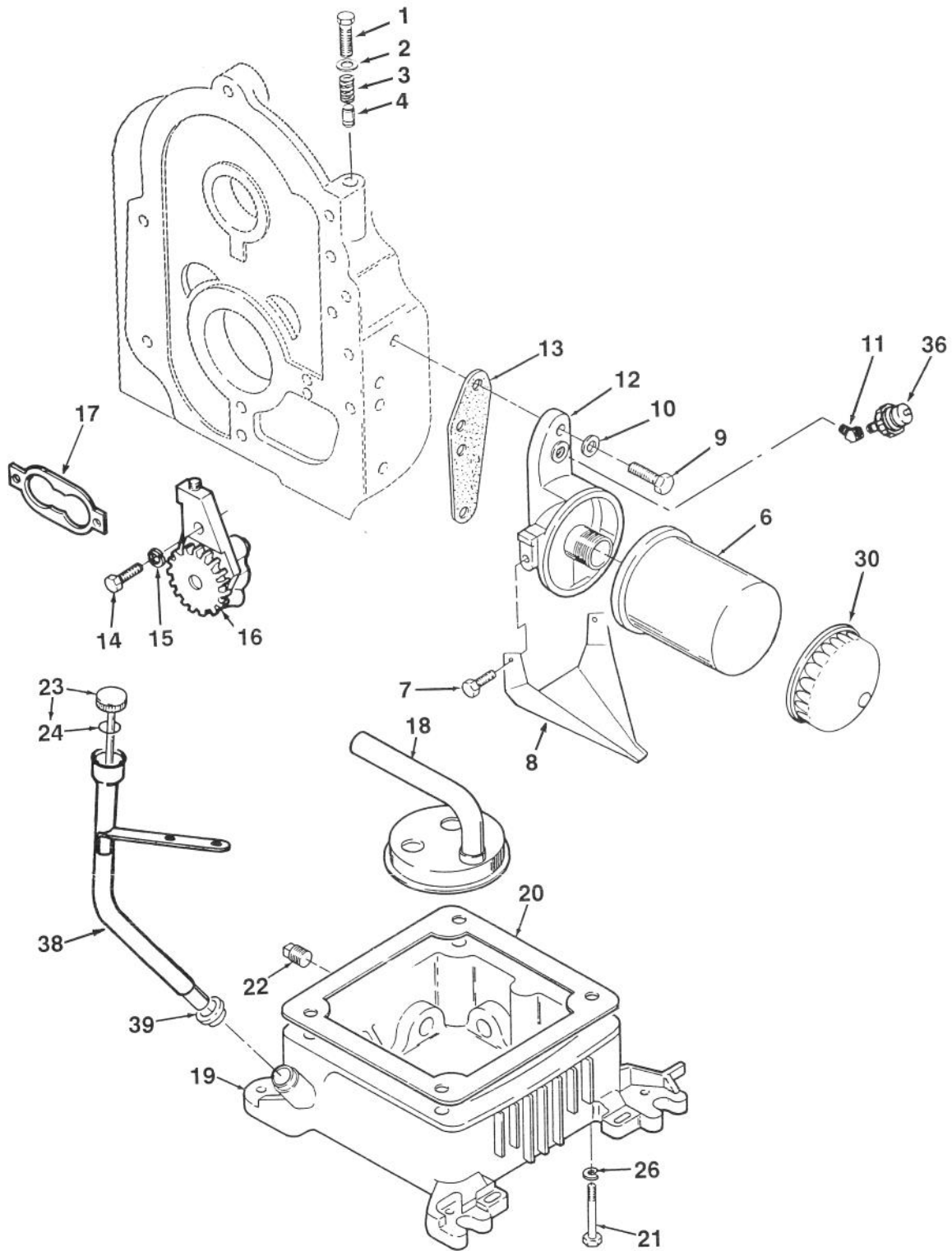


PISTON AND ROD

Ref. No.	Part No.	Description	No. Used	Ref. No.	Part No.	Description	No. Used
1		Piston & Pin (Incl. Pin & Retaining Ring) Spec. D Engine		5	82-1470	Bolt - Rod Cap	4
	NN10094	Standard	2	6		Set - Piston Ring Spec. D Engine	
*	NN10096	.010 Oversize	2	*	82-0360	Standard	2
*	NN10097	.020 Oversize	2	*	82-0380	.010 Oversize	2
*	NN10098	.030 Oversize	2	*	82-0390	.020 Oversize	2
*		Piston & Pin (Incl. Pin & Retaining Ring) Spec. E Engine		*	82-0400	.030 Oversize	2
	NN10265	Standard	2	*		Set - Piston Ring Spec. E Engine	
*	92-0934	.005 Oversize	2	*	92-0939	Standard	2
*	92-0935	.010 Oversize	2	*	92-0940	.005 Oversize	2
*	92-0936	.020 Oversize	2	*		.010 Oversize	2
*	92-0937	.030 Oversize	2	*		.020 Oversize	2
2	82-0290	Pin - Piston Spec. D Engine	2	*		.030 Oversize	2
*	92-0938	Pin - Piston Spec. E Engine	2	7	82-0410	Bushing - Piston Ring	2
3	NN10344	Ring - Retaining	4	8		Bearing - Connecting Rod, Half	
4	82-0470	Rod - Connecting (Incl. Bolts)	2	*	82-0420	Standard	4
				*	82-0430	.002 Undersize	4
				*	82-0440	.010 Undersize	4
				*	82-0450	.020 Undersize	4
				*	82-0460	.030 Undersize	4

*Not Illustrated

OIL SYSTEM

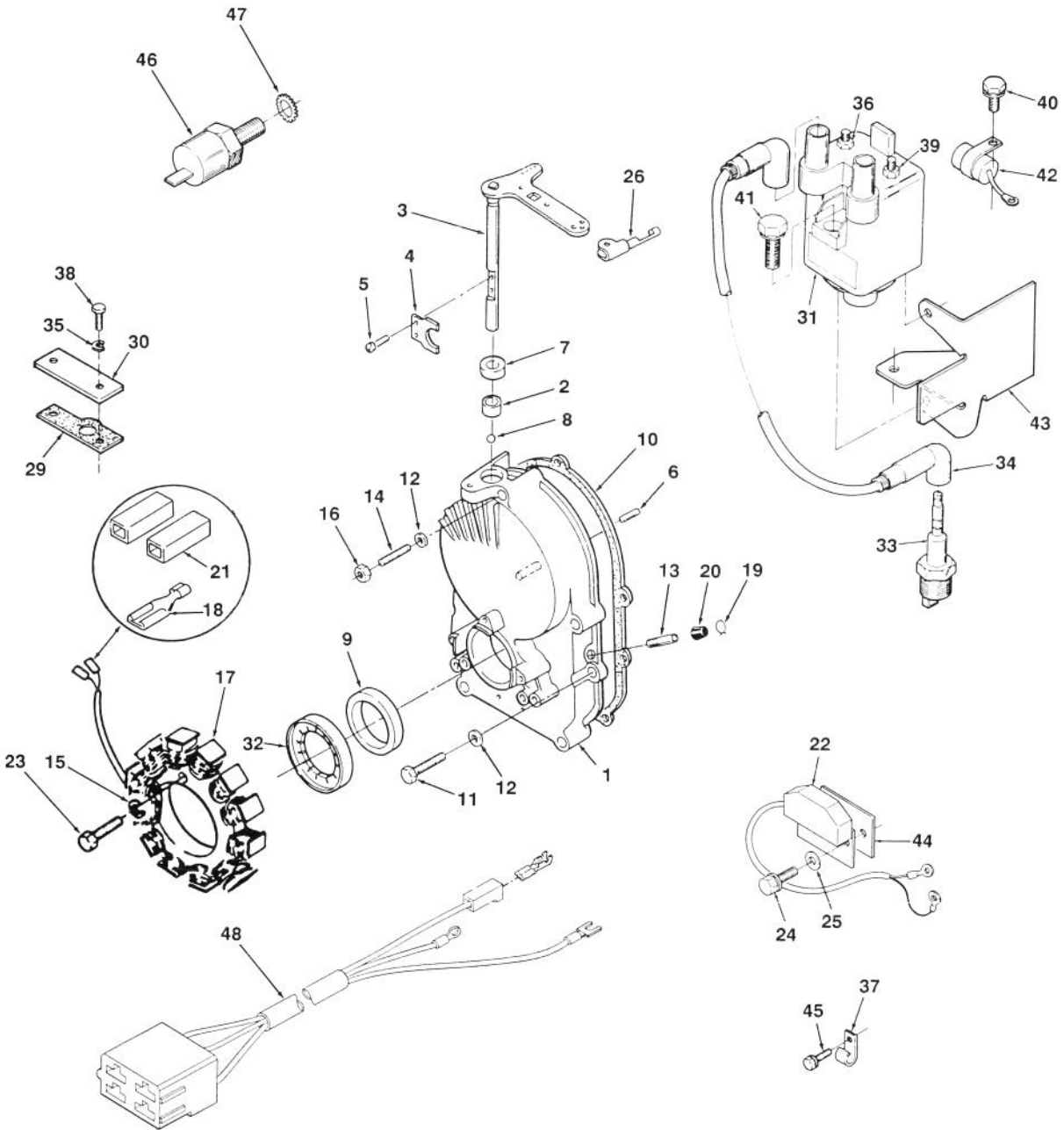


OIL SYSTEM

Ref. No.	Part No.	Description	No. Used	Ref. No.	Part No.	Description	No. Used
1	NN10384	Bolt	1	16	57-8410	Pump - Oil	1
2	NN10360	Washer - Bypass Valve Flat Spec. D Engine	1	17	NN10134	Kit - Oil Pump Gasket Spec. D Engine	1
*	NN10361	Washer - Bypass Valve Flat Spec. E Engine	1	*	57-8460	Kit - Oil Pump Gasket Spec. E Engine	1
3	NN10133	Spring - Bypass Valve Spec. D Engine	1	18	82-0490	Cup - Oil Pump Intake Spec. D Engine	1
*	57-8500	Spring - Bypass Valve Spec. E Engine	1	*	92-0944	Cup - Oil Pump Intake Spec. E Engine	1
4	NN10135	Valve - Plunger, Bypass Spec. D Engine	1	19	82-0030	Base - Oil (Incl. Plugs & Gasket) Spec. D Engine	1
*	57-8470	Valve - Plunger, Bypass Spec. E Engine	1	*	92-0942	Base - Oil (Incl. Plugs & Gasket) Spec. E Engine	1
6	NN10143	Filter - Oil Spec. D Engine	1	20	57-8090	Gasket - Oil Base	1
*	79-6470	Filter - Oil Spec. E Engine	1	21	82-1440	Screw	4
7	82-1510	Screw - Cap Hex Hd	2	22	92-0943	Plug - Drain	1
8	82-0510	Drain - Oil	1	23	82-0590	Oil Fill Cap & Indicator (Incl. O-Ring)	1
9	NN10373	Bolt	2	24	57-9610	O-Ring - Oil Fill Cap	1
10	57-9750	Washer - Flat, Copper 5/16	2	26	82-1310	Washer - Flat	4
11	59-0640	Elbow - Street 45°	1	30	NN10775	Wrench - Oil Filter	1
12	82-0500	Adapter - Oil Filter	1	36	NN10520	Switch - Oil Pressure	1
13	82-0520	Gasket - Adapter Spec. D Engine	1	38	82-0580	Tube - Oil Fill Spec. D Engine	1
*	79-6470	Gasket - Adapter Spec. E Engine	1	*	92-0947	Tube - Oil Fill Spec. E Engine	1
14	82-1370	Bolt	1	39	71-6170	Seal	1
15	82-1340	Washer - Lock, Spring	2				

*Not Illustrated

GEARCASE AND IGNITION CONTROLS

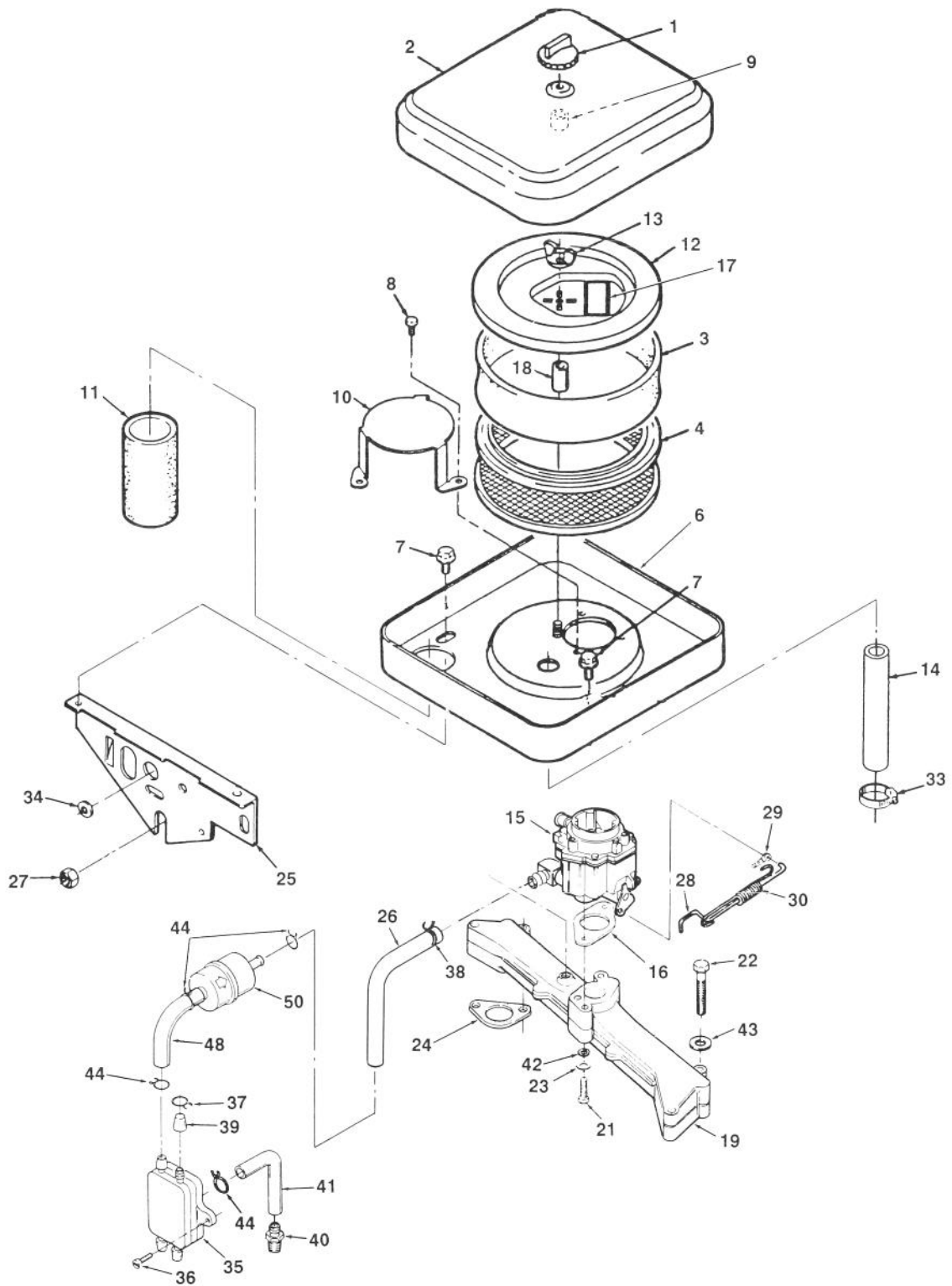


GEARCASE AND IGNITION CONTROLS

Ref. No.	Part No.	Description	No. Used	Ref. No.	Part No.	Description	No. Used
1	57-8120	Kit - Gearcase (Incl. Items #2 thru 9)	1	24	NN10394	Screw - Hex Washer Hd	2
2	57-9650	Bearing - Governor Shaft	1	25	82-1660	Washer - Lock	2
3	NN10220	Governor Shaft & Arm - Chromed	1	26	57-9730	Clip - Retaining	1
4	59-0420	oke - Governor Shaft	1	29	79-6490	Gasket - Plate	1
5	59-0950	Screw - Machine, Pan Hd	2	30	71-5990	Cover - Ignition Plunger	1
6	59-0740	Pin - Dowel, Governor Cup Stop	1	31	71-6000	Coil Incl. Nuts	1
7	57-9570	Seal - Governor Shaft Oil	1	32	71-6010	Rotor - Ignition	1
8	57-9630	Bearing - Ball, Governor Shaft	1	33	57-9340	Plug - Spark	2
9	57-9580	Seal - Crankshaft Oil	1	34	NN10253	Cable - Spark Plug 9"	1
10	NN10895	Gasket - Gearcase Mounting	1		71-6020	Cable - Spark Plug 18"	1
11	82-1410	Bolt	4	35	82-1340	Washer - Lock	2
12	57-9750	Washer - Flat, Copper	5	36	NN10249	Nut - Hex Flange	1
13	59-0360	Tube - Vacuum Port	1	37	71-6220	Clamp - Wire	1
14	59-0790	Stud - Gear Cover	1	38	82-1360	Screw - Hex Hd Cap	1
15	82-1610	Washer - Lock	3	39	NN10248	Nut - Hex Flange	1
16	59-1130	Nut	1	40	59-0970	Screw - Hex Hd	1
17	57-9440	Stator with Terminals	1	41	NN10408	Screw - Hex Washer Hd 1/4-20 x 1	2
18	59-0590	Terminal - Stator Leads	3	42	59-1180	Capacitor	1
19	57-9550	Clamp - Vacuum Port	1	43	82-0920	Bracket - Ignition Coil	1
20	59-0370	Cap - Vacuum Port	1	44	NN10516	Insulator - Ignition Module	1
21	82-1000	Kit - Terminal Connector	1	45	82-1410	Screw - Hex Hd Cap	1
22	NN10444	Control - Ignition	1	46	NN10274	Switch - Temp. Cut-Off	1
23	82-1500	Screw - Machine, Hex Hd	3	47	NN10924	Washer - Lock	1
				48	NN10523	Harness - Wire Spec. D Engine	1
					92-0959	Harness - Wire Spec. E Engine	1

*Not Illustrated

AIR CLEANER AND CARBURETOR



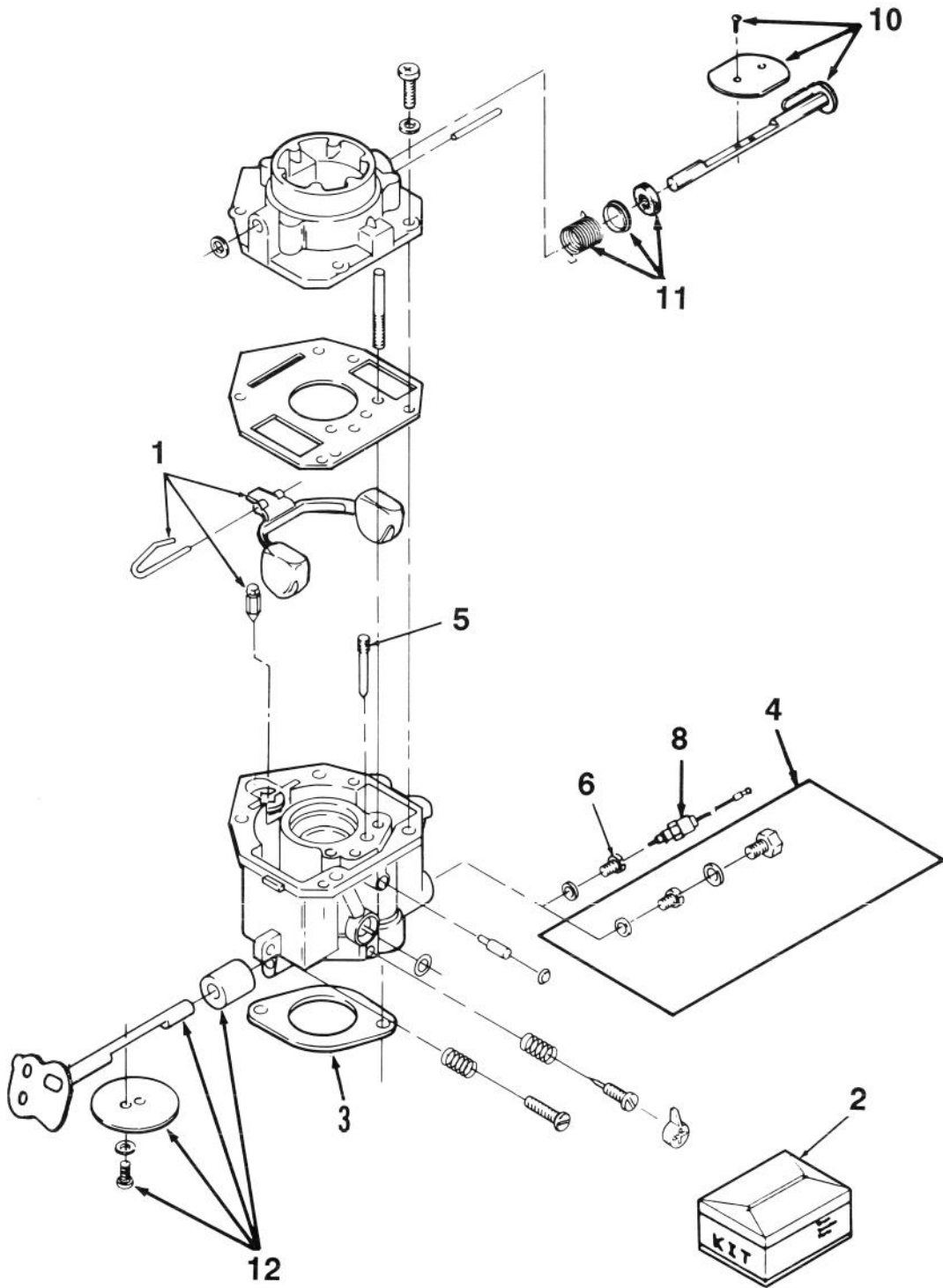
C-0948

AIR CLEANER AND CARBURETOR

Ref. No.	Part No.	Description	No. Used	Ref. No.	Part No.	Description	No. Used
1	82-1760	Knob	1	22	82-1430	Screw - Hex Hd Cap	4
2	82-0690	Cover - Air Cleaner	1	23	82-1350	Washer - Flat	2
3	82-0670	Foam Element - Air Cleaner	1	24	82-0860	Gasket - Manifold to Block	2
4	82-0660	Element - Air Cleaner	1	25	82-0720	Support - Air Cleaner	1
6	NN10926	Housing - Air Cleaner	1	26	82-1110	Hose - Fuel	1
7	79-6540	Screw - Hex Washer Hd	2	27	82-1690	Nut - Hex Washer Hd	2
8	82-1770	Screw - Machine, Hex Hd	3	28	NN10928	Rod - Governor Control	1
9	79-6520	Spacer - Cover	1	29	57-9700	Clip - Retaining	1
10	82-0730	Plate - Air Deflector Spec. D Engine	1	30	82-1740	Spring - Governor Rod	1
*	92-0946	Plate - Air Deflector Spec. E Engine	1	33	82-1090	Clamp - Breather Hose	2
11	82-0700	Tube - Air Intake	1	34	71-6140	Grommet - Rubber	1
12	92-0914	Cover - Element	1	35	NN10842	Pump - Fuel (Incl. Hose Clamp & Fuel Cap)	1
13	92-0913	Nut - Wing	1	37	57-9550	Clamp - Hose	1
14	82-1120	Tube - Crankcase Breather Spec. D Engine	1	39	59-0370	Cap - Fuel Outlet	1
*	92-0945	Tube - Crankcase Breather Spec. E Engine	1	40	82-1060	Connector - Hose Spec. D Engine	1
15	82-0770	Carburetor	1	*	82-1070	Connector - Hose Spec. E Engine	1
16	82-0850	Gasket - Carburetor	1	41	71-6100	Hose - Vacuum	1
17	82-0010	Decal - Air Cleaner Maintenance	1	42	82-1340	Washer	2
18	82-0980	Spacer	1	43	82-1310	Washer - Flat	4
19	82-0870	Manifold - Intake	1	44	82-1080	Clamp - Wire	6
21	NN10927	Screw - Hex Hd Cap	2	48	71-6120	Hose	1
				50	71-5960	Filter - Fuel	1

*Not Illustrated

CARBURETOR COMPONENTS



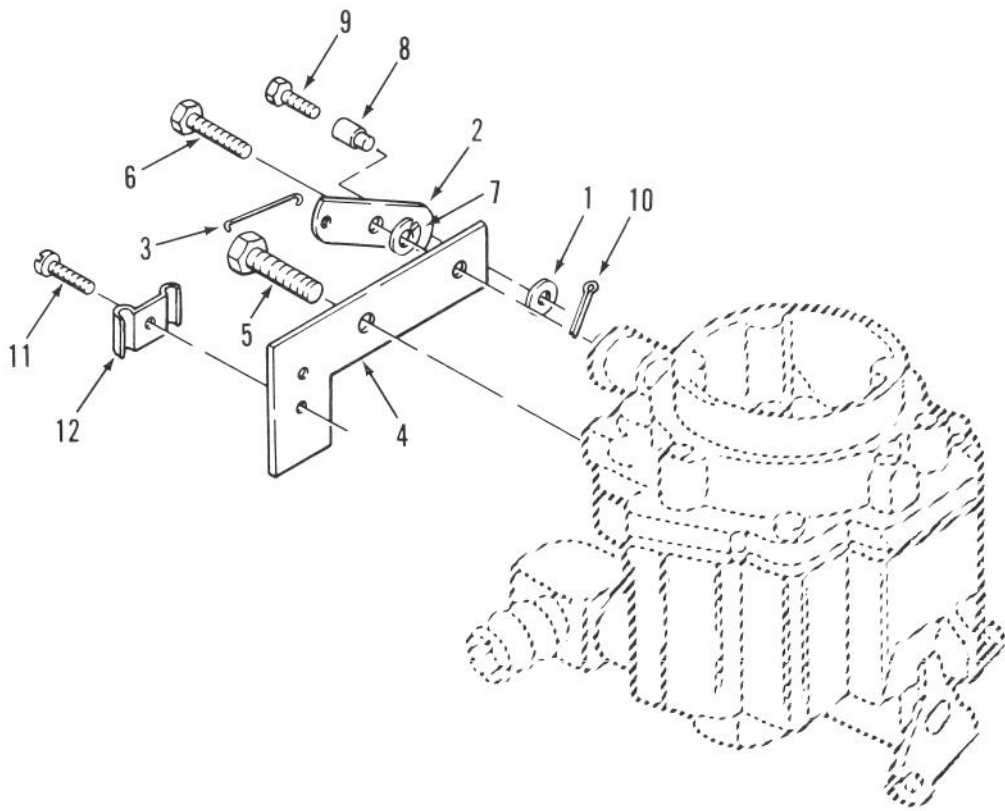
CARBURETOR COMONENTS

Ref. No.	Part No.	Description	No. Used
1	62-2800	Kit - Float (Incl. Float, Pin, & Valve)	1
2	82-0780	Kit - Repair (Incl. Screw & Plug Package, Gasket Package, Float Valve, Idle Adjustment Needle & Spring, Mounting Gaskets, & Idle Limit Cap)	1
3	82-0850	Gasket - Carburetor	1
4	82-0740	Jet - Power, High Altitude	1
5	82-0750	Jet - Idle	1
6	82-0790	Jet - Power	1

Ref. No.	Part No.	Description	No. Used
8	82-0800	Solenoid - Fuel Cut-Off (Incl. Gasket)	1
10	72-3860	Kit - Choke Shaft (Incl. Choke Valve, Valve Set Screw, & Air Filter)	1
11	72-3870	Kit - Choke Lever (Incl. Choke Lever Ring, Choke Spring, & Choke Collar)	1
12	82-0810	Kit - Throttle Shaft (Incl. Valve Set Screw, Air Filter, & Throttle Valve)	1

*Not Illustrated

CHOKE LINKAGE



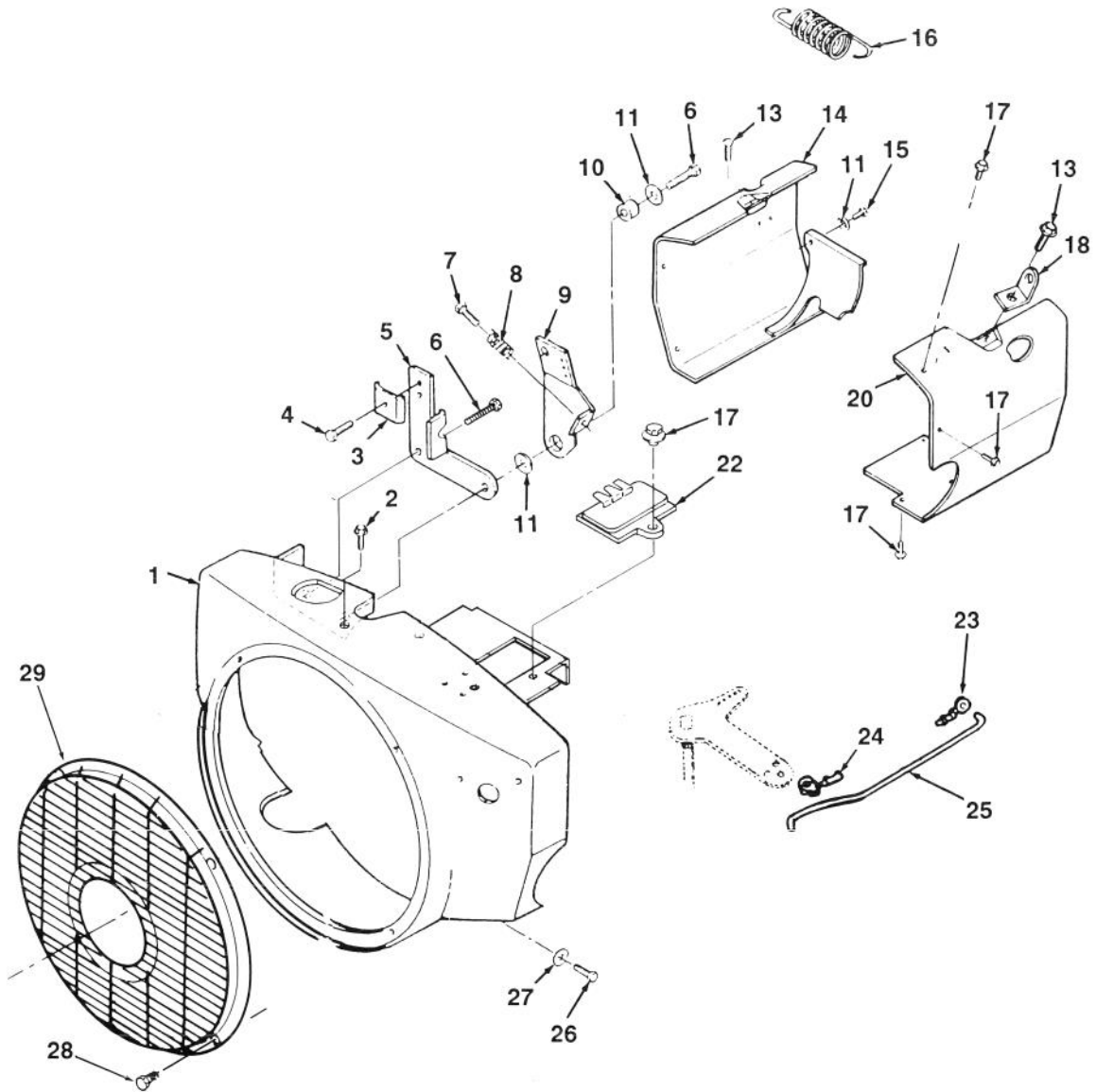
CHOKE LINKAGE

Ref. No.	Part No.	Description	No. Used
1	59-0850	Washer - Flat	1
2	59-0460	Lever - Choke	1
3	57-9180	Link - Choke	1
4	59-0470	Bracket - Choke Cable	1
5	72-3880	Screw - Washer Hd Cap	1
6	59-1020	Screw - Shoulder	1

Ref. No.	Part No.	Description	No. Used
7	82-1660	Washer - Lock	1
8	57-9170	Swivel - Choke Lever	1
9	72-3890	Screw - Machine	1
10	59-0720	Pin - Cotter	1
11	72-3900	Screw - Washer Hd	1
12	57-9190	Clip - Choke Cable	1

*Not Illustrated

BLOWER HOUSING ASSEMBLY

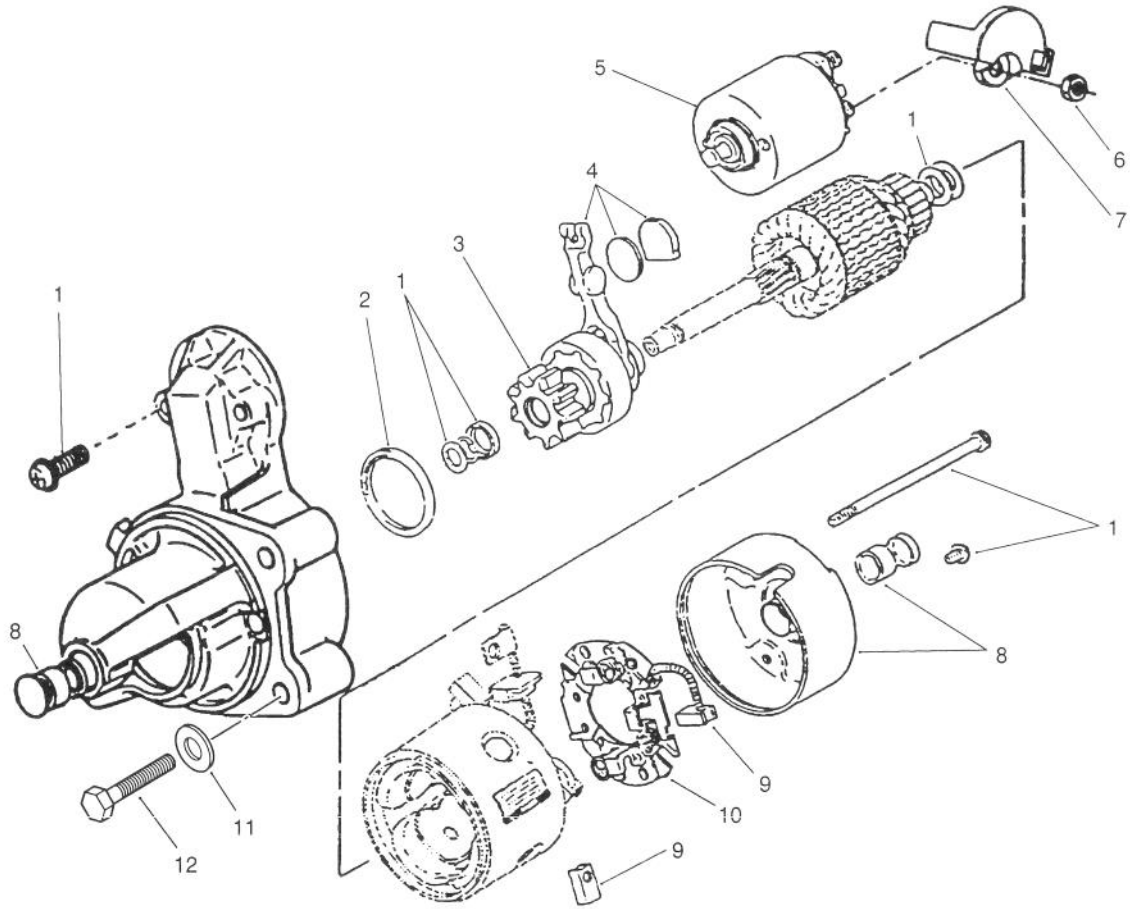


BLOWER HOUSING ASSEMBLY

Ref. No.	Part No.	Description	No. Used	Ref. No.	Part No.	Description	No. Used
1	82-0630	Housing - Blower Spec. D Engine	1	15	59-0980	Screw - Hex Washer Hd	2
*	92-0948	Housing - Blower Spec. E Engine	1	16	57-9100	Spring - Extension	1
2	59-1100	Screw - Hex Flange Hd	2	17	59-1080	Screw - Hex Washer Hd	5
3	57-9190	Clamp - Cable	1	18	71-6080	Bracket - Lifting	2
4	72-3900	Screw - Hex Hd	1	20	82-0640	Housing - Air R.H. Spec. D Engine	1
5	NN10898	Bracket - Cable	1	*	92-0950	Housing - Air R.H. Spec. E Engine	1
6	59-1010	Screw - Hex Hd Cap	2	22	57-9430	Regulator - Voltage	1
7	59-1030	Screw - Hex Hd Cap	1	23	57-9700	Clip - Retaining	1
8	59-0430	Spring - Compression	1	24	57-9730	Clip - Retaining	1
9	57-9140	Arm - Governor Control	1	25	NN10928	Rod - Governor Control	1
10	57-9120	Bushing - Control Arm	1	26	NN10931	Screw - Tapping	3
11	59-0830	Washer - Flat	4	27	59-0820	Washer - Flat	4
13	82-1600	Screw - Hex Washer Hd	2	28	82-1590	Screw - Pan Hd	4
14	82-0600	Housing - Air L.H. Spec. D Engine	1	29	82-0620	Guard	1
*	92-0949	Housing - Air L.H. Spec. E Engine	1				

*Not Illustrated

STARTER

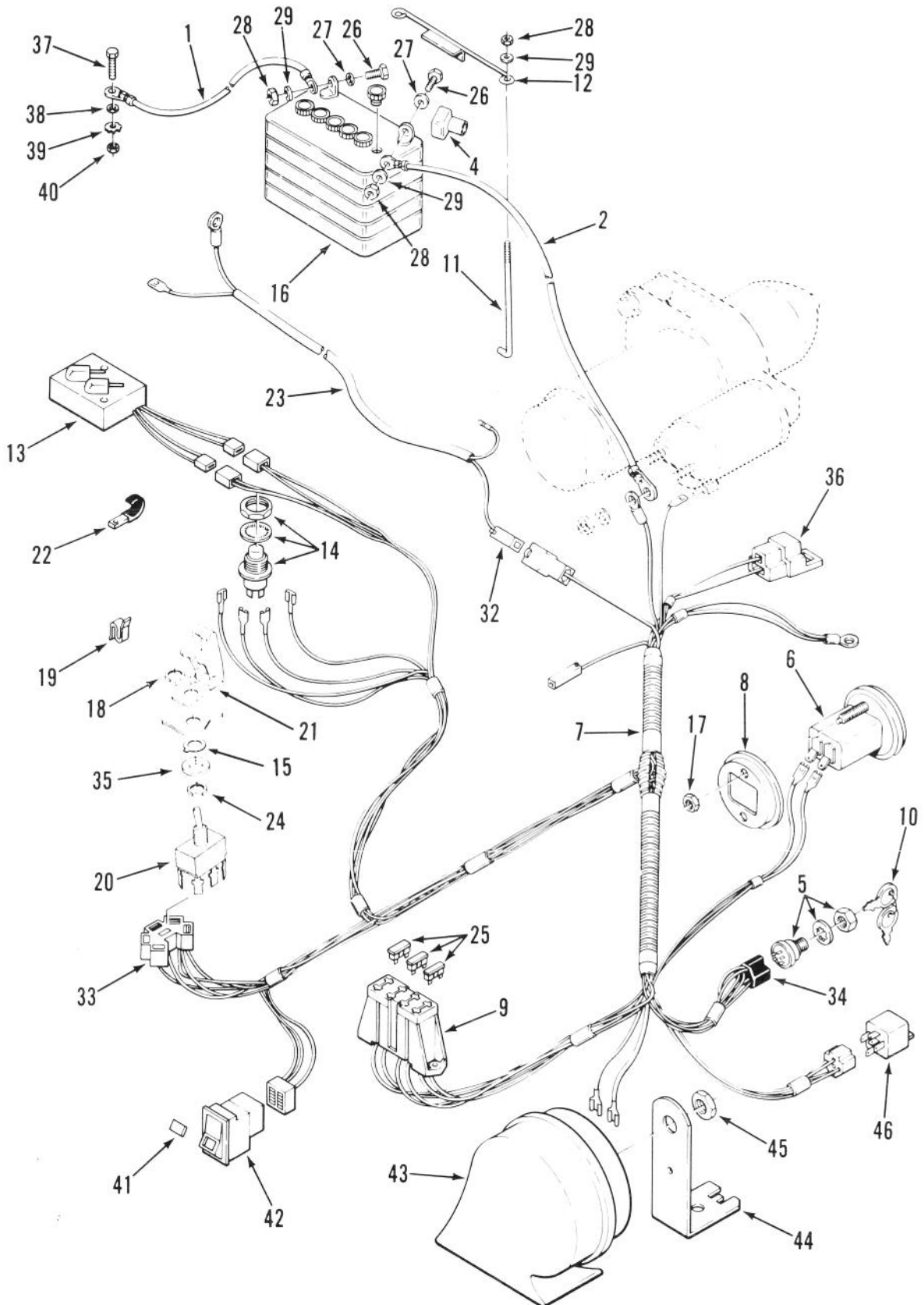


STARTER

Ref. No.	Part No.	Description	No. Used	Ref. No.	Part No.	Description	No. Used
1	62-2760	Kit - Hardware, Starter #191-1808-04 (Incl. Solenoid Screws, Brush Holder Screws, Thru Bolts, Armature, Shims, Pinion Stop Collar, & Pinion Retaining Rings)	1	7	NN10930	Cap - Starter, Starter #191-1949-04	1
*	NN10885	Kit - Hardware, Starter #191-1949(Incl. Solenoid Screws, Brush Holder Screws, Thru Bolts, Shims, Pinion Stop Collar, & Pinion Retaining Rings)	1	8	NN10262	Kit - Bushing, Starter #191-1808-04 (Incl. Rear Cap, Front & Rear Bushings)	1
2	72-3950	Seal - Dust, Starter #191-1808-04	1	*	62-2730	Kit - Bushing, Starter #191-1949-04 (Incl. Rear Cap, Front & Rear Bushings)	1
*	NN10886	Seal - Dust, Starter #191-1949-04	1	9	62-2740	Kit - Brush, Starter #191-1808-04	1
3	72-3940	Kit - Clutch, Starter #191-1808-04	1	*	NN10882	Kit - Brush, Starter #191-1949-04 \ (Incl. Item #10)	1
*	NN10884	Kit - Clutch, Starter #191-1949-04	1	10	62-2750	Holder - Brush, Starter #191-1808-04	1
4	62-2770	Kit - Shift Lever	1	11	NN10363	Washer - Flat	2
5	72-3930	Solenoid - Starter #191-1808-04	1	12	82-1420	Screw - Hex Hd	2
*	NN10887	Solenoid - Starter #191-1949-04	1	13	NN10929	Kit - Mounting Bracket # 191-1949-04	1
6	82-1730	Nut - Hex, Starter #191-1949-04	1	14	57-9770	Washer - Flat	2
				*	71-6040	Starter - Complete (Onan #191-1808-4)	1
				*	62-2710	Starter - Complete (Onan #191-1949-04) Note: Onan part number stamped on starter nameplate for identification.	1

*Not Illustrated

ELECTRICAL SYSTEM



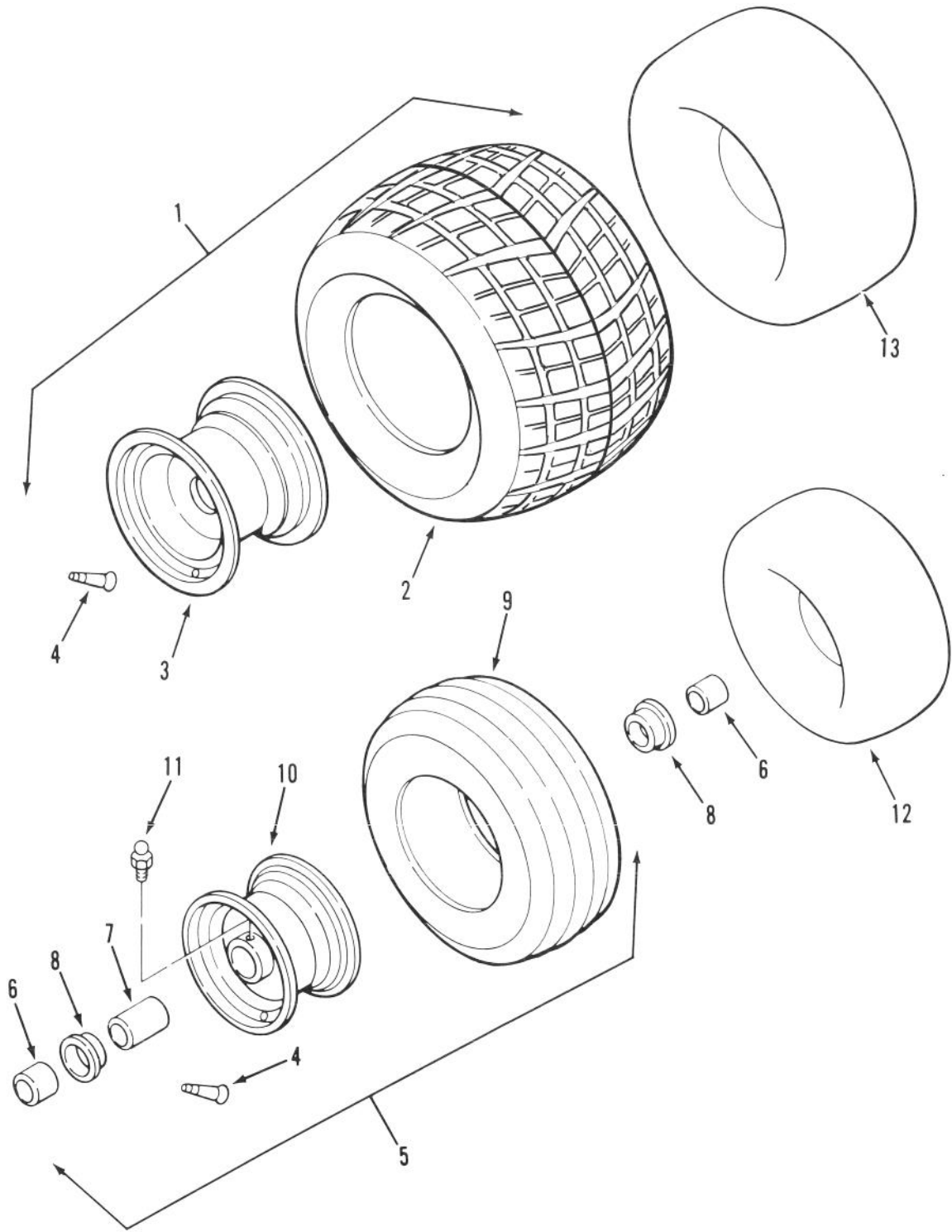
1216C

ELECTRICAL SYSTEM

Ref. No.	Part No.	Description	No. Used	Ref. No.	Part No.	Description	No. Used
1	111078	Cable – Battery to Ground	1			ATO or ATC	1
2	115023	Solenoid – Battery to Starter	1	26	321-4	Bolt 1/4-20 x 3/4"	2
4	109553	Boot – Terminal	1	27	3256-22	Washer 1/4 SAE	2
5	111216	Switch – Ignition (Incl. #101884 Nut)	1	28	116497	Nut 1/4-20"	2
6	78-0020	Hourmeter (Incl. Item # 8)	1	29	3253-3	Washer – Lock 1/4"	2
7	116725	Harness – Wiring	1	32	NN10282	Connector (Part of Item # 23)	1
8	78-3320	Bracket – Gauge Mounting	1	33	105303	Connector – PTO Switch (Part of Item 7)	1
9	109117	Block – Fuse (Part of Item # 7)	1	34	105302	Connector – Ignition Switch (Part of Item 7)	1
10	116738	Keys (Set of two)	1	35	920242	Spacer	1
11	113969	Hook	2	36	109357	Connector – Electric Clutch (Part of Item 7)	1
12	113010	Hold Down – Battery	1	37	321-4	Bolt 1/4-20 x 3/4"	1
13	116237	Switch – Parking Brake	1	38	920007	Washer 1/4" SAE	1
14	116194	Switch – Seat	1	39	920154	Washer – Lock 1/4"	1
15	102950	Washer – Tab	1	40	915111	Nut 1/4-20"	3
16	115877	Battery	1	41	116753	Lens – Engine Temp. (Part of Item # 42)	1
17	915962	Nut – Keys	1	42	116752	Switch – Test	1
18	113179	Nut – Special	1	43	116749	Horn	1
19	519337	Clip – Cable	1	44	116755	Bracket – Horn (Part of Item #43)	1
20	78-9670	Switch – PTO	1	45	116797	Nut 1/2-20" (Part of Item #43)	1
21	113050	Cover – PTO Switch	1	46	116397	Relay	1
22	8830	Clip	1				
23	NN10295	Harness – Wiring	1				
24	105805	Nut – Switch	1				
25	109355	Fuse – 15 Amp ATO or ATC	1				
*	109102	Fuse – 25 Amp ATO or ATC	1				
*	NN10277	Fuse – 30 Amp	1				

*Not Illustrated

WHEELS AND TIRES

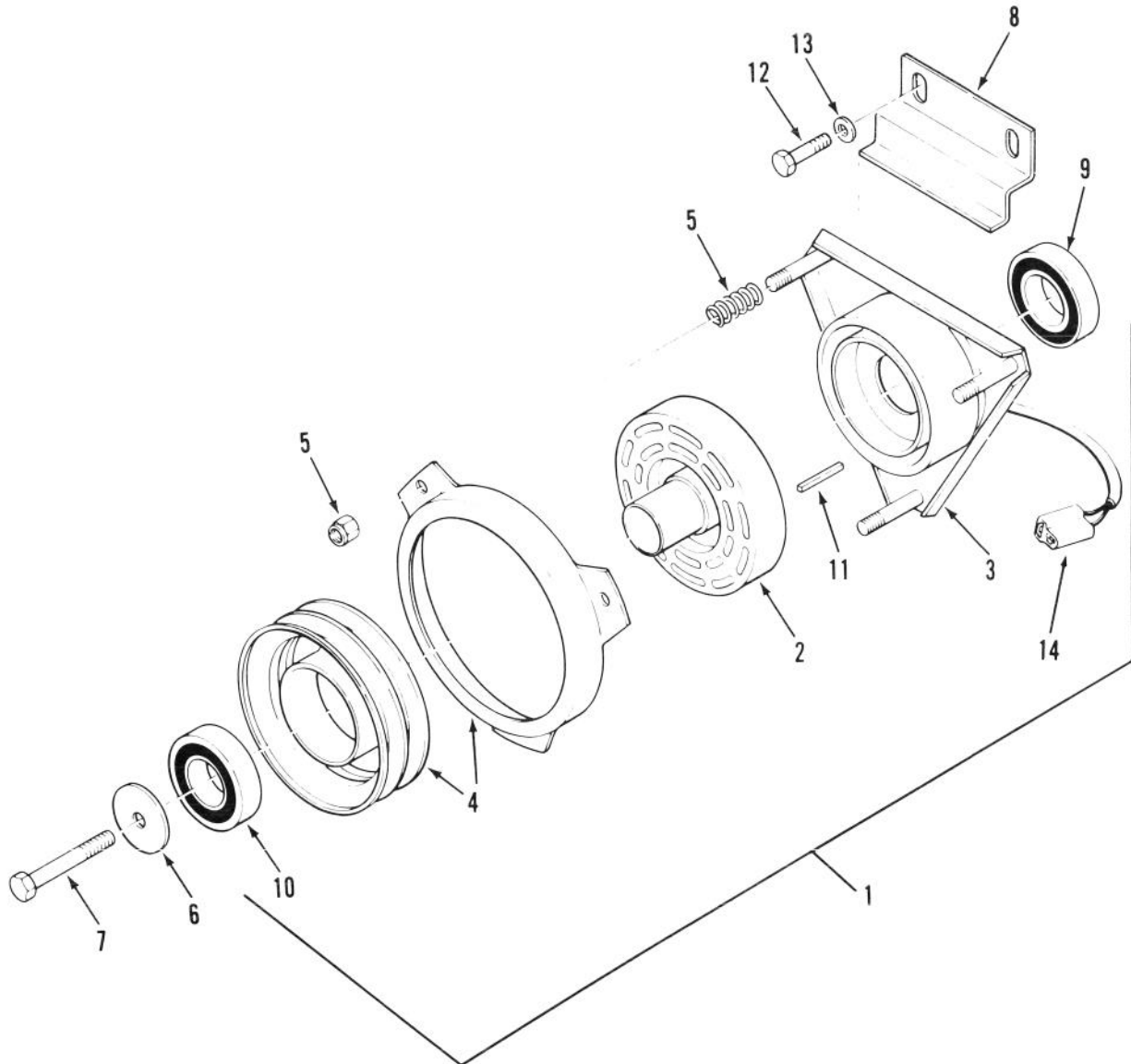


WHEELS AND TIRES

Ref. No.	Part No.	Description	No. Used	Ref. No.	Part No.	Description	No. Used
1		Rear Wheel & Tire – 21 x 11.00–8 (Incl. Items 2, 3, & 4)	1	5		Front Wheel & Tire Assy (Incl. Items 7, 8, 9, & 10)	2
*		Rear Wheel & Tire, Knobby 21 X 12.00–8 (Incl. Items # 2*, 3*, & 4) Optional	1	6	100005	Spacer – Front Wheel	4
2	116973	Tire – Turf Trac, Rear	2	7	10204	Spacer – Front Wheel Inner	2
*	88–6530	Tire – Knobby, Rear	2	8	10205	Bearing – Front Wheel	4
3	117006	Wheel – Rear, Silver	2	9	83–3560	Tire – Front 13 x 5.00–6	2
*	111917	Wheel – Rear	2	10	111916	Wheel – Front, Silver	2
4	5108	Stem – Valve	4	11	1030	Fitting – Grease	2
				12	5712	Tube – Front	2
				13	10127	Tube – Rear	2

*Not Illustrated

P.T.O. ELECTRIC CLUTCH



0743B

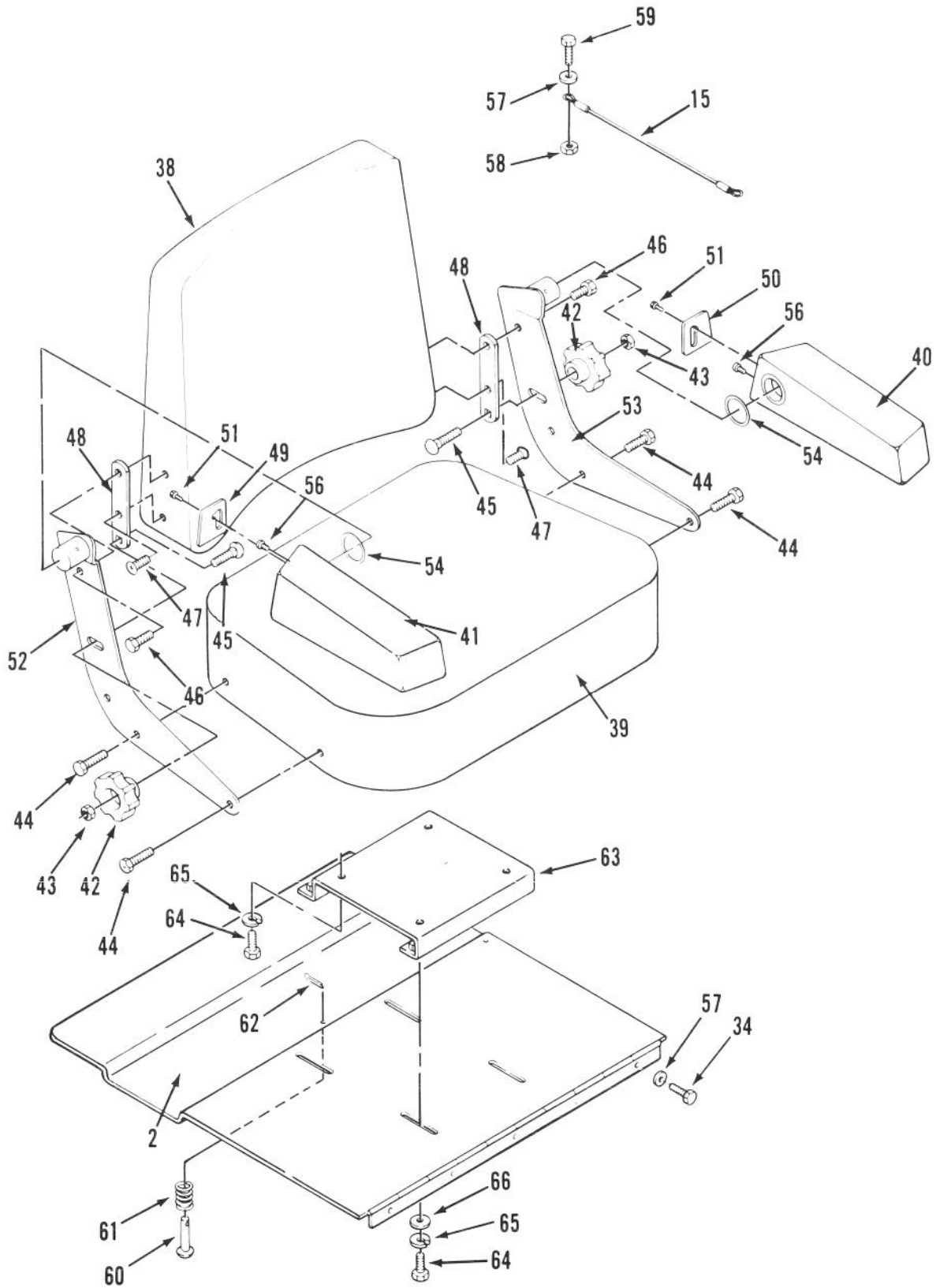
P.T.O. ELECTRIC CLUTCH

Ref. No.	Part No.	Description	No. Used
1	113997	Electric Clutch – Complete (Incl. Items #2, 3, 4, 5, 9, 10, & 14)	1
2	115137	Rotor	1
3	115134	Field (Incl. Item #9)	1
4	115136	Armature & Pulley (Incl. Item #10)	1
5	115135	Spring & Nuts	1
6	113602	Retainer – Bearing	1

Ref. No.	Part No.	Description	No. Used
7	3211-5	Bolt 3/8-24 x -1/4	1
8	113674	Bracket	1
9	115170	Bearing	1
10	115171	Bearing	1
11	1121	Key	1
12	908032	Bolt 3/8-16 x 3/4	2
13	920009	Washer 3/8 SAE	2
14	110459	Connector	1

*Not Illustrated

SEAT



0983B

SEAT

Ref. No.	Part No.	Description	No. Used
2	78-7800	Bracket - Seat Mounting	1
15	115850	Cable - Seat	1
34	926671	Bolt 1/4-20 x 1/2	5
38	40101	Seat - Back	1
39	40102	Seat - Bottom	1
40	40103	Arm Rest - LH	1
41	40104	Arm Rest - RH	1
42	40105	Knob - Lumbar Control	2
43	40106	Nut - Lock 3/8	2
44	908058	Bolt 1/2-13 x 1-1/4	4
45	900065	Bolt - Carriage 3/8-16 x 1-1/2	2
46	960201	Bolt 3/8-16 x 3/4	2
47	908848	Screw - Phillips Hd 3/8-16 x 3/4	2
48	40223	Plate - Lumbar Friction	2
49	40224	Plate - Arm Rest Cover, RH	1
50	40225	Plate - Arm Rest Cover, LH	1

Ref. No.	Part No.	Description	No. Used
51	S102	Screw	2
52	40227	Support - Back, LH	1
53	40226	Support - Back, RH	1
54	W114	Washer	2
56	911037	Screw 1/4-20 x 1/2	2
57	920037	Washer 1/4 US	8
58	3296-42	E.S. Nut 1/4-20	2
59	908003	Bolt 1/4-20 x 3/4	2
60	106449	Pin	1
61	116195	Spring	1
62	3272-6	Pin - Cotter 3/32 x 3/4	2
63	113585	Support - Seat	1
64	110234	Bolt 3/8-16 x 3/4	8
65	920083	Washer - Lock 3/8	8
66	3256-24	Washer - Flat 3/8 SAE	4
*	113698	Seat Ass'y (Incl. all Items except #2, 34, 57, & 60 thru 66)	1

*Not Illustrated

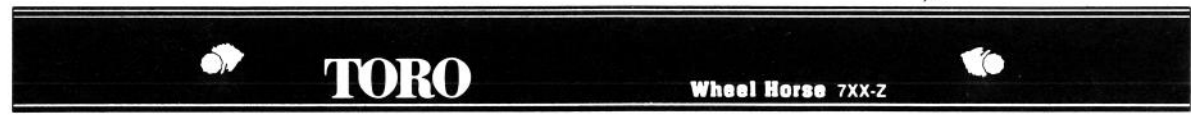
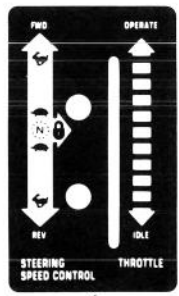
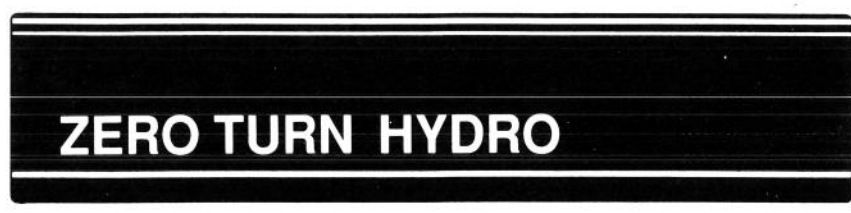
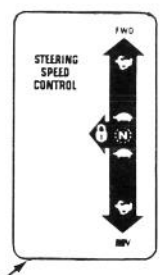
DECALS

MAINTENANCE CHART

Maintenance Item	Service Interval
Check Safety Interlock System	BEFORE EACH USE
Check Engine System	BEFORE EACH USE
Check Battery Water Level	BEFORE EACH USE
Check Automatic Trans. Oil Level	BEFORE EACH USE
Grease Equipment Joints	BEFORE EACH USE
Clean Engine Chaff Screen	BEFORE EACH USE
Lubricate Drive Chains *	EVERY 8 HOURS
Check Tire Pressure	EVERY 25 HOURS
Check Fasteners in Place & Tight	EVERY 25 HOURS
Check B Spind Trans. Oil Level *	EVERY 25 HOURS
Clean Air Filter (Kawasaki)	EVERY 25 HOURS
Lubricate Chassis Front Wheels	EVERY 25 HOURS
Lubricate Mower Gears/Wheels *	EVERY 25 HOURS
Change Engine Oil (B&W and Kohler)	EVERY 25 HOURS
Change Engine Oil (Cummins and Kawasaki)	EVERY 50 HOURS
Lubricate Mower Spindles	EVERY 50 HOURS
Check Blade Adjustment	EVERY 50 HOURS
Clean Engine Exhaust & Cooling Fans	EVERY 50 HOURS
Change Automatic Trans. Oil Level *	EVERY 100 HOURS (ONCE A YEAR)
Inspect Spark Plugs	EVERY 100 HOURS
Replace Engine Oil Filter	EVERY 100 HOURS
Replace Air Filter	EVERY 100 HOURS (ONCE A YEAR)
Blinds & Straton	EVERY 100 HOURS (ONCE A YEAR)
Onan	EVERY 200 HOURS
Kohler	EVERY 100 HOURS AS RECOMMENDED
Kawasaki	EVERY 300 HOURS
Replace In-Line Fuel Filter *	ONCE A YEAR

* As applicable. See Maintenance Section in Operator's Manual.

NOTE
See Operator's Manual for Detailed Instructions.
Increase frequency of Service Under Extreme Duty Conditions.
See Engine Operator's Manual for Important Maintenance Items, Such as Taper, Adjustment and Control Head Loading.
(1) Models with separate Transmission & Transaxle (1) Rotax/Briggs - Check Transaxle Oil Level Before Each Use - Check Transaxle Oil Level Every 25 Hours.
(2) Models with Air Filter Sensor - Service Filter when indicator light illuminates. Replace Air Filter when Service Interval Procedure indicates.



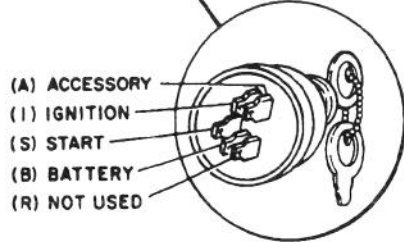
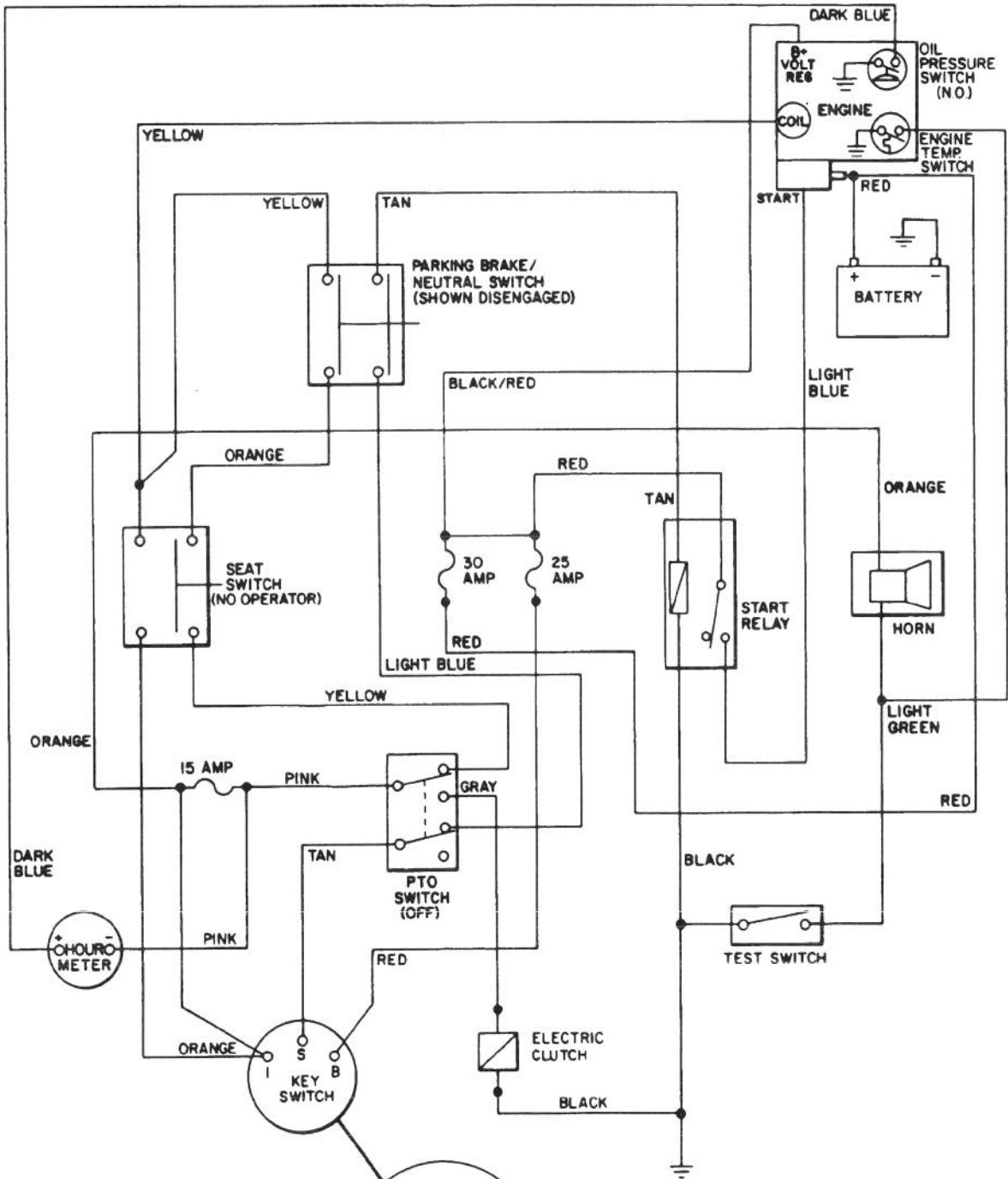
DECALS

Ref. No.	Part No.	Description	No. Used	Ref. No.	Part No.	Description	No. Used
1	116469	Decal – Danger	1	16	115094	Decal – Engine Screen	1
2	79-0370	Decal – Danger	2	18	807324	Loose Parts Package – New Tractor	1
3	113901	Decal – Parking Brake	1	19	116235	Decal – Danger	1
4	114574	Decal – Choke – Ignition	1	20	116748	Decal – Temperature Alarm	1
6	111777	Decal – Speed Control	1	21	117373	Decal – Made in USA	1
7	113901	Decal – Parking\ Brake/Throttle	1	22	79-4730	Decal – Hood	1
8	79-5650	Decal – Steering/Throttle	1	23	118570	Decal – Power Plus	1
9	115398	Decal – Maintenance	2	24	118880	Decal – Zero Turn RH	1
13	112403	Decal – VIN Overlay	1	25	118890	Decal – Zero Turn LH	1
14	112845	Decal – PTO	1				

Not Illustrated

WIRING DIAGRAM

700 - SERIES WIRING DIAGRAM



SWITCH POSITION	ELECTRICAL CONN. BETWEEN TERMINALS
OFF	NONE
RUN	B • R • I • A
START	B • R • I • S

TORO PART NUMBER INDEX

3315-124

Part No.	Description	Pg. No.	Ref. No.	Qty.	Part No.	Description	Pg. No.	Ref. No.	Qty.
1030	Fitting – Grease	47	11	2	109102	Fuse – 25 Amp ATO or ATC	45	*	1
1030	Fitting – Grease	13	27	2	109117	Block – Fuse (Part of Item 7)	45	9	1
1121	Key	49	11	1	109355	Fuse – 15 Amp ATO or ATC	45	25	1
2844	Washer		24	4	109357	Connector – Electric Clutch	45	36	1
2844	Washer	5	24	4	109553	Boot – Terminal	45	4	1
2844	Washer		42	2	110234	Bolt 3/8–16 x 3/4	51	64	8
2844	Washer	5	42	2	110459	Connector	49	14	1
2844	Washer	17	14	2	111078	Cable – Battery to Ground	45	1	1
2844	Washer – Special	13	16	2	111216	Switch – Ignition	45	5	1
5108	Stem – Valve	47	4	4	111357	Clip	15	21	1
5224	Cap	21	41	1	111777	Decal – Speed Control	53	6	1
5712	Tube – Front	47	12	2	111879	Fitting – Fuel Line	21	19	2
5924	Nut	21	46	1	111887	Sprocket – Idler		27	2
6392	Link – Master #40	19	28	2	111887	Sprocket – Idler	5	27	2
7059	Clip	21	45	1	111891	Pan – Floor	15	3	1
8812	Yoke – Threaded 5/16	13	20	2	111909	Bracket – Fender, RH Rear	15	6	1
8830	Clip	45	22	1	111910	Bracket – Fender, LH Rear	15	*	1
8830	Clip	3	23	3	111911	Bracket – Fender, RH Front	15	8	1
8830	Clip		36	1	111912	Bracket – Fender, LH Front	15	*	1
8830	Clip	5	36	1	111914	Line – Fuel (5)	21	6	1
8830	Clip	21	17	2	111916	Wheel – Front, Silver	47	10	2
9547	Washer – Thrust .020	3	21	2	111917	Wheel – Rear	47	*	2
9548	Washer – Thrust .030	3	16	2	111922	Grip – Handle	21	23	1
10127	Tube – Rear	47	13	2	111922	Grip PTO & Brake – Handle	17	8	2
10204	Spacer – Front Wheel Inner	47	7	2	112304	Bracket – Chain Tensioner		23	2
10205	Bearing – Front Wheel	47	8	4	112304	Bracket – Chain Tensioner	5	23	2
28534	Plug – Pipe	11	18	1	112403	Decal – VIN Overlay	53	13	1
40101	Seat – Back	51	38	1	112589	Cover – Reservoir	9	2	2
40102	Seat – Bottom	51	39	1	112590	Body – Reservoir	9	3	2
40103	Arm Rest – LH	51	40	1	112591	Seal – Ring, Sq	9	5	2
40104	Arm Rest – RH	51	41	1	112593	Ring – External Retaining	9	8	2
40105	Knob – Lumbar Control	51	42	2	112594	Washer – Control Shaft	9	9	2
40106	Nut – Lock 3/8	51	43	2	112595	Button	9	10	2
40223	Plate – Lumbar Friction	51	48	2	112596	Seal – Ring, Sq	9	15	2
40224	Plate – Arm Rest Cover, RH	51	49	1	112597	Rotor & Balls			
40225	Plate – Arm Rest Cover, LH	51	50	1		Sub-Assembly	9	16	2
40226	Support – Back, RH	51	53	1	112599	Rotor & Balls			
40227	Support – Back, LH	51	52	1		Sub-Assembly	9	23	2
100005	Spacer – Front Wheel				112600	Ring – Retaining	9	24	2
	58 x 1	47	6	4	112601	Ring – Retaining	9	25	2
100305	Washer – Friction	21	48	2	112602	Bearing – Ball, Input	9	26	2
100307	Ring – Retaining	19	15	1	112603	Shaft – Input	9	27	2
100365	Washer – Lock	21	43	2	112604	Seal – Oil	9	28	2
102950	Washer – Tab	45	15	1	112605	Seal – Oil	9	32	2
103995	Washer	17	28	1	112606	Kit – Control Shaft	9	33	2
104047	Bushing	21	20	2	112607	Insert – Cam Ring	9	35	2
104048	Valve Assembly – Fuel	21	21	2	112608	Pin – Coil	9	36	4
104859	Spacer	13	15	2	112609	Body – Check Valve	9	37	4
105302	Connector – Ignition Switch	45	34	1	112610	Ball – Grade 200 5/16 O.D.	9	38	4
105303	Connector – PTO Switch	45	33	1	112611	Ring – Retaining	9	39	4
105805	Nut – Switch	45	24	1	112612	Spring – Piston	9	40	10
106449	Pin	51	60	1	112613	Plug Sub-Assembly	9	41	2
107675	Washer – Rubber	15	13	2	112614	O-Ring – Tube Fitting	9	42	2
108571	Washer – Spring	17	26	4	112615	Shaft Sub-Assembly, Output	9	51	2
108881	Nut	21	33	2	112616	Screw – Socket Hd	9	54	4
108898	Clamp – Hose	21	29	5	112618	Kit – Overhaul Sealing	9	57	1
109002	Link – Connecting		15	2	112619	Ring Sub-Assembly – Cam	9	58	2
109002	Link – Connecting	5	15	2	112620	Body Sub-Assembly	9	59	2

*Not Illustrated

TORO PART NUMBER INDEX (Continued)

Part No.	Description	Pg. No.	Ref. No.	Qty.	Part No.	Description	Pg. No.	Ref. No.	Qty.
112625	Kit – Cover Service	9	6	1	113684	Sprocket Assembly	19	21	1
112626	Fitting – Guide				113687	Bearing – Flanged	19	22	4
	Sub-Assembly,	9	11	2	113688	Bolt – Eye 1/4–20	13	10	4
112627	Valve – Bracket	9	12	2	113690	Nut – Coupling Rod	17		4
112628	Bracket & Pins				113691	Chain – Primary		12	2
	Sub-Assembly	9	13	2	113691	Chain – Primary	5	12	2
112629	Spring – Dump Valve	9	14	4	113692	Line – Fuel (29.5)	21	7	2
112630	Pintle Assembly – Used in	9	22	1	113693	Control – Choke	21	14	1
112631	O-Ring – Dump Valve	9	29	2	113697	Bolt – Eye 3/8–16 x 2–1/8	19	27	2
112632	Gasket Assembly	9	30	2	113698	Seat Assy	51	*	1
112845	Decal – PTO	53	14	1	113699	Chain – Link, Mower Deck	19	29	2
112941	Nut – Hex, Special	19	17	1	113901	Decal – Parking Brake	53	3	1
112954	Pedal – Foot	19	1	1	113901	Decal – Parking			
112955	Link – Pivot	19	5	1		Brake/Throttle	53	7	1
112956	Arm – Lift Pawl	19	6	1	113969	Hook	45	11	2
112957	Lever Arm & Sprocket Assy	19	7	1	113997	Electric Clutch	49	1	1
112958	Sprocket – Height Control	19	8	1	114159	Control – Throttle	21	13	1
113010	Hold Down – Battery	45	12	1	114183	Spring – Foot, Long	19	4	1
113050	Cover – PTO Switch	45	21	1	114190	Nut – Lug 1/2–20	3	6	8
113081	Spring – Foot, Short	19	3	1	114192	Carpet – Black	15	4	1
113081	Spring – Neutral	13	12	4	114293	Hub – Rear Wheel	3	2	2
113146	Bushing – Pawl Pivot	19	20	1	114295	Sprocket	3	27	1
113149	Pin	19	9	1	114497	Spring – Seat		10	4
113179	Nut – Special	45	18	1	114497	Spring – Seat	5	10	4
113353	Fitting – Grease		16	4	114514	Gasket – Exhaust	21	26	2
113353	Fitting – Grease	5	16	4	114574	Decal – Choke – Ignition	53	4	1
113509	Bushing – Nylon 296	13	14	8	114613	Pin – Clevis	19	14	1
113529	Axle Hub Bearing – Inner, Rear3	3	3	2	114636	Nipple 3/8 x 2–1/2	21	27	1
113530	Axle Hub Bearing – Outer, Rear3	4	4	2	114661	Pivot – Steering Lever LH	13	31	1
113531	Bearing – Pillow Block		2	4	114662	Pivot – Steering Lever RH	13	*	1
113531	Bearing – Pillow Block	5	2	4	115023	Solenoid – Battery to Starter	45	2	1
113563	Grip Handle – Control	13	1	2	115094	Decal – Engine Screen	53	16	1
113567	Shim – Bearing		18	X	115101	Bushing	3	25	1
113567	Shim – Bearing	5	18	X	115102	Pulley – V-Idler	3	26	1
113568	Transmission – Hydrostatic,	7	5	1	115134	Field	49	3	1
113569	Transmission – Hydrostatic,	7	6	1	115135	Spring & Nuts	49	5	1
113570	Linkage – Drive, Upper	13	18	2	115136	Armature & Pulley	49	4	1
113578	U-Joint – Double	7	17	1	115137	Rotor	49	2	1
113585	Support – Seat	51	63	1	115162	Elbow 3/4	21	28	1
113589	Straps – Tie	21	12	4	115170	Bearing	49	9	1
113602	Retainer – Bearing	49	6	1	115171	Bearing	49	10	1
113623	Yoke – Threaded 5/16–24	17	3	2	115200	Edge – Trim		40	1
113624	Bands – Brake	17	2	2	115200	Edge – Trim	5	40	1
113632	Spring	13	23	1	115226	Cap	3	31	2
113633	Pulley – Flat Idler	3	9	1	115295	Bushing	13	35	1
113633	Valve – Dump	9	31	2	115398	Decal – Maintenance	53	9	2
113640	Gear Box – "T Peerless	7	1	1	115793	Rod – Brake LH	17	5	1
113650	Fan – RH Counterclockwise	7	8	1	115794	Rod – Brake RH	17	6	1
113651	Fan – LH, Clockwise	7	7	1	115850	Cable – Seat	51	15	1
113663	Spider – Coupling	7	23	2	115855	Chain – Foot Pedal	19	2	2
113665	Spacer	17	19	1	115856	Coupler – LJ, .875 x .1875	7	2	2
113668	Rod Assembly – Brake	17	7	1	115857	Coupler – LJ, .670 x .125	7	3	2
113671	Jackshaft		1	2	115877	Battery	45	16	1
113671	Jackshaft	5	1	2	115960	Clip – Dump Valve	7	9	2
113674	Bracket	49	8	1	116194	Switch – Seat	45	14	1
113675	Bushing – Bronze	13	30	2	116195	Spring	51	61	1
113679	Coupler – Complete	7	20	2	116235	Decal – Danger	53	19	1
113680	Arm – Hydro Control	13	6	2	116237	Switch – Parking Brake	45	13	1

*Not Illustrated

TORO PART NUMBER INDEX (Continued)

Part No.	Description	Pg. Ref. No. No. Qty.	Part No.	Description	Pg. Ref. No. No. Qty.
116397	Relay	45 46 1	908019	Bolt 5/16-18 x 1	21 24 8
116460	Bolt - Shoulder	13 28 2	908022	Bolt 5/16-18 x 1-3/4	19 12 2
116469	Decal - Danger	53 1 1	908032	Bolt 3/8-16 x 3/4	49 12 2
116478	Lever - Parking Brake	17 20 1	908034	Bolt 3/8-16 x 1	13 17 2
116497	Nut 1/4-20	45 28 2	908035	Bolt 3/8-16 x 1-1/4	19 26 8
116725	Harness - Wiring	45 7 1	908035	Bolt 3/8-16 x 1-1/4	17 15 2
116735	Chain - Secondary	13 2	908036	Bolt 3/8-16 x 1-1/2	21 2 4
116735	Chain - Secondary	5 13 2	908058	Bolt 1/2-13 x 1-1/4	51 44 4
116738	Keys (Set of two)	45 10 1	908848	Screw - Phillips Hd	51 47 2
116748	Decal - Temperature Alarm	53 20 1	909848	Screw - Set 1/4-20 x 1/4	29 4
116749	Horn	45 43 1	909848	Screw - Set 1/4-20 x 1/4	5 29 4
116752	Switch - Test	45 42 1	909848	Setscrew 1/4-20 x 1/4	17 16 2
116753	Lens - Engine Temp.	45 41 1	911037	Screw 1/4-20 x 1/2	51 56 2
116755	Bracket - Horn	45 44 1	911444	Screw - Machine, Hex Hd	9 2
116797	Nut 1/2-20	45 45 1	915001	Nut - Hex 5/16-24 SAE	13 19 2
116839	Bumper	6 2	915001	Nut 5/16-24	17 12 2
116839	Bumper	5 6 2	915111	Nut 1/4-20	13 11 8
116888	Frame - Transaxle	19 1	915111	Nut 1/4-20	45 40 3
116888	Frame - Transaxle	5 19 1	915115	Nut 1/2-13	13 22 2
116973	Tire - Turf Trac, Rear	47 2 2	915238	Nut - Jam 1/2-13	13 21 4
117006	Wheel - Rear, Silver	47 3 2	915585	Nut - Wing 5/16-18	15 14 2
117295	Bracket - Gearbox	7 19 1	915661	Nut 1/4-20	15 18 10
117373	Decal - Made in USA	53 21 1	915662	Nut 5/16-18	13 38 1
117560	Lever - Steering RH	13 * 1	915662	Nut 5/16-18	19 11 2
117561	Lever - Steering LH	13 2 1	915662	Nut 5/16-18	21 40 1
117580	Muffler	21 22 1	915663	Nut 3/8-16	13 9 4
118570	Decal - Power Plus	53 23 1	915663	Nut 3/8-16 x 1-1/2	21 3 4
118880	Decal - Zero Turn RH	53 24 1	915665	Nut 1/2-13	13 36 1
118890	Decal - Zero Turn LH	53 25 1	915740	Nut - Elastic #10-24	21 35 2
519337	Clip - Cable	45 19 1	915962	Nut - Keps	45 17 1
740315	Manual - Hydrostatic	9 60 1	920007	Washer - Flat 1/4 SAE	15 17 10
770047A	Housing - T-Drive	11 2 1	920007	Washer 1/4 SAE	45 38 1
772067	Cover	11 6 1	920008	Washer - Flat 1/4 US	17 10 2
776060A	Shaft - Output	11 5 1	920008	Washer - Flat 5/16 SAE	19 23 1
776127	Shaft - Input	11 4	920008	Washer - Flat SAE 5/16	21 39 1
778101	Gear - Miter	11 3 1	920008	Washer 5/16 SAE	13 4 6
778210	Gear - Miter	11 9 1	920009	Washer - Flat 3/8 SAE	13 8 2
780034	Bearing - Ball	11 8 4	920009	Washer 3/8 SAE	49 13 2
786029	Cap & Seal Assy	11 15 2	920009	Washer 3/8 SAE	17 23 1
788018	Ring - Snap	11 11 1	920037	Washer 1/4 US	51 57 8
788019	Ring - Snap	11 10 1	920037	Washer 1/4 US	15 20 11
788028	Cover - Gasket	11 7 1	920039	Washer 3/8 US	21 4 2
788029	Seal - Oil	11 12 1	920082	Washer - Lock 5/16	21 25 8
788030	Gasket - Cap	11 13 2	920083	Washer - Lock 3/8	19 25 8
788031	Seal - Oil	11 16 2	920083	Washer - Lock 3/8	51 65 8
792025	Screw - Pan Hd	11 14 4	920154	Washer - Lock 1/4	45 39 1
792026	Screw - Hex Hd	11 17 8	920225	Washer	19 30 2
794381	Head Assy - T-Drive	11 1 1	920230	Spacer	21 32 2
807324	Loose Parts Package -	53 18 1	920242	Spacer	45 35 1
810697R1	Manual - Toro Power Plus	21 42 1	920249	Washer - Fender 3/8	15 12 4
900065	Bolt - Carriage	51 45 2	920251	Washer 3/4	3 20 4
908002	Bolt 1/4-20 x 5/8	17 27 1	920257	Washer - Special	13 24 4
908002	Bolt 1/4-20 x 5/8	15 15 10	926466	Screw #10-24 x 1/2	7 12 8
908003	Bolt 1/4-20 x 3/4	51 59 2	926671	Bolt 1/4-20 x 1/2	3 24 3
908003	Bolt 1/4-20 x 3/4	15 16 2	926671	Bolt 1/4-20 x 1/2	51 34 5
908017	Bolt 5/16-18 x 3/4	21 38 1	926671	Bolt 1/4-20 x 1/2	15 19 11
908019	Bolt - Hex 5/16-18 x 1	19 13 2	932008	Pin - Cotter 3/32 x 3/4	17 9 2
908019	Bolt 5/16-18 x 1	13 39 1	932008	Pin - Cotter 3/32 x 3/4	17 13 2

*Not Illustrated

TORO PART NUMBER INDEX (Continued)

Part No.	Description	Pg. Ref. No. No. Qty.	Part No.	Description	Pg. Ref. No. No. Qty.
932017	Pin – Cotter	13 7 8	NN10476	Washer – Crankshaft Bearing,	25 13 2
932957	Pin – Clevis 5/16 x 1	13 26 2	NN10516	Insulator – Ignition Module	33 44 1
932958	Pin – Clevis 5/16 x 1–1/4	17 11 2	NN10520	Switch – Oil Pressure	31 36 1
933168	Pin – Spirol 5/32 x 13/16	17 18 1	NN10523	Harness – Wire	33 48 1
937082	Key – Woodruff 1/8 x 1/2	13 5 2	NN10536	Plug – Expansion	23 7 1
937218	Key – Hi–Pro 1/2 x 1/8	7 10 4	NN10536	Plug – Expansion	25 7 1
937225	Key – Hi–Pro 3/16 x 3/4	7 11 3	NN10540	Washer	23 44 24
960140	Screw	21 44 2	NN10692	Block – Short	
960201	Bolt 3/8–16 x 3/4	51 46 2		24 HP. Spec. D	23 1 1
NN10024	Ring – Gear		NN10775	Wrench – Oil Filter	31 30 1
	Spec. E Engine	27 * 1	NN10842	Pump – Fuel	35 35 1
NN10026	Crankshaft	27 19 1	NN10882	Kit – Brush, Starter No.	43 * 1
NN10040	Spring – Valve	23 27 4	NN10884	Kit – Clutch, Starter No.	43 * 1
NN10040	Spring – Valve	25 27 4	NN10885	Kit – Hardware, Starter	43 * 1
NN10043	Rotator – Valve	23 30 2	NN10886	Seal – Dust, Starter No.	43 * 1
NN10045	Cover – Valve	25 5 2	NN10887	Solenoid – Starter No.	43 * 1
NN10094	Standard	29 2	NN10895	Gasket – Gearcase	33 10 1
NN10096	.010 Oversize	29 * 2	NN10898	Bracket – Cable	41 5 1
NN10097	.020 Oversize	29 * 2	NN10903	Kit – Gasket, Engine	23 * 1
NN10098	.030 Oversize	29 * 2	NN10918	Insert – Intake Seat STD	23 25 2
NN10133	Spring – Bypass Valve	31 3 1	NN10919	Insert – Intake Seat .002	23 * 1
NN10134	Kit – Oil Pump Gasket	31 17 1	NN10920	Insert – Intake Seat .005	23 * 2
NN10135	Valve – Plunger, Bypass	31 4 1	NN10921	Insert – Intake Seat .010	23 * 2
NN10143	Filter – Oil		NN10922	Insert – Intake Seat .025	23 * 2
	Spec. D Engine	31 6 1	NN10923	Kit – Gasket,	
NN10220	Governor Shaft & Arm –	33 3 1		Carbon Removal	23 47 1
NN10248	Nut – Hex Flange	33 39 1	NN10923	Kit – Gasket,	
NN10249	Nut – Hex Flange	33 36 1		Carbon Removal	25 47 1
NN10253	Cable – Spark Plug 9 Long	33 34 1	NN10924	Washer – Lock	33 47 1
NN10262	Kit – Bushing, Starter No.	43 8 1	NN10926	Housing – Air Cleaner	35 6 1
NN10265	Standard	29 * 2	NN10927	Screw – Hex Hd Cap	35 21 2
NN10274	Switch –Temp. Cut–Off	33 46 1	NN10928	Rod – Governor Control	41 25 1
NN10277	Fuse – 30 Amp ATO or ATC	45 * 1	NN10928	Rod – Governor Control	35 28 1
NN10282	Connector (Part of Item 23)	45 32 1	NN10929	Kit – Mounting Bracket43	13 1
NN10295	Harness – Wiring	45 23 1	NN10930	Cap – Starter, Starter No.	43 7 1
NN10321	Seal – Oil Crankshaft 1/2 wide	2317 1	NN10931	Screw – Tapping	41 26 3
NN10321	Seal – Oil Crankshaft 1/2 wide	2517 1	57–8000	Bearing – Camshaft	23 16 2
NN10331	Key – Crankshaft Stub	27 25 1	57–8000	Bearing – Camshaft	25 16 2
NN10336	Pin – Gearcase Alignment	23 39 2	57–8010	Gasket – Bearing Plate	23 14 1
NN10336	Pin – Gearcase Alignment	25 39 2	57–8010	Gasket – Bearing Plate	25 14 1
NN10339	Plug	23 46 1	57–8020	Bearing – Flanged	
NN10344	Ring – Retaining	29 3 4		Sleeve STD	23 37 1
NN10349	Mtg. Stud – Cylinder Hd	23 * 4	57–8020	Bearing – Flanged Sleeve STD	25 37
NN10350	Mtg. Stud – Cylinder Hd	23 * 8			
NN10351	Mtg. Stud – Cylinder Hd	23 36 8	57–8030	Bearing – Flanged Sleeve	23 * 1
NN10359	Washer – Flat, Copper	23 20 2	57–8030	Bearing – Flanged Sleeve	25 * 1
NN10359	Washer – Flat, Copper	25 20 2	57–8040	Plate – Bearing, STD.	23 15 1
NN10360	Washer – Bypass Valve Flat	31 2 1	57–8040	Plate –Bearing, STD.	25 15 1
NN10361	Washer – Bypass Valve Flat	31 * 1	57–8050	Bearing – Crankshaft,	
NN10363	Washer – Flat	43 11 2		Rear STD	23 12 1
NN10373	Bolt	31 9 2	57–8050	Bearing – Crankshaft,	
NN10385	Screw	23 41 2		Rear STD	25 12 1
NN10385	Screw	25 41 2	57–8060	Bearing – Crankshaft,	23 * 1
NN10394	Screw – Hex Washer Hd	33 24 2	57–8060	Bearing – Crankshaft,	25 * 1
NN10408	Screw – Hex Washer Hd	33 41 2	57–8090	Gasket – Oil Base	31 20 1
NN10409	Screw	27 14 6	57–8110	Ring – Gear Spec. D	27 17 1
NN10444	Control – Ignition	33 22 1	57–8120	Bolt – Special	27 11 1
NN10476	Washer – Crankshaft Bearing,	23 13 2	57–8120	Kit – Gearcase	33 1 1

*Not Illustrated

TORO PART NUMBER INDEX (Continued)

Part No.	Description	Pg. Ref. No. No. Qty.	Part No.	Description	Pg. Ref. No. No. Qty.
57-8130	Gear - Crankshaft Spec. D	27 22 1	59-0360	Tube - Vacuum Port	33 13 1
57-8140	Washer - Gear Retaining	27 21 1	59-0370	Cap - Fuel Outlet	35 39 1
57-8210	Gear - Camshaft	27 5 1	59-0370	Cap - Vacuum Port	33 20 1
57-8230	Washer - Thrust	27 4 1	59-0400	Pin - Camshaft	27 2 1
57-8270	Rotator - Valve	25 30 2	59-0420	Yoke - Governor Shaft	33 4 1
57-8410	Pump - Oil	31 16 1	59-0430	Spring - Compression	41 8 1
57-8450	Tappet - Valve STD	23 29 4	59-0450	Cup - Governor	27 7 1
57-8450	Tappet - Valve STD	25 29 4	59-0460	Lever - Choke	39 2 1
57-8460	Kit - Oil Pump Gasket	31 * 1	59-0470	Bracket - Choke Cable	39 4 1
57-8470	Valve - Plunger, Bypass	31 * 1	59-0590	Terminal - Stator Leads	33 18 3
57-8500	Spring - Bypass Valve	31 * 1	59-0640	Elbow - Street 45_	31 11 1
57-8580	Baffle - Breather Tube	23 4 1	59-0720	Pin - Cotter	39 10 1
57-8580	Baffle - Breather Tube	25 4 1	59-0730	Pin - Bearing Stop	23 18 4
57-9090	Ring - Retaining	27 8 9	59-0730	Pin - Bearing Stop	25 18 4
57-9100	Spring - Extension	41 16 1	59-0740	Pin - Dowel, Governor	33 6 1
57-9120	Bushing - Control Arm	41 10 1	59-0790	Stud - Gear Cover	33 14 1
57-9130	Hub - Governor Cup	27 9 1	59-0810	Washer - Flat	27 13 1
57-9140	Arm - Governor Control	41 9 1	59-0820	Washer - Flat	41 27 4
57-9170	Swivel - Choke Lever	39 8 1	59-0830	Washer - Flat	41 11 4
57-9180	Link - Choke	39 3 1	59-0880	Bolt	23 19 5
57-9190	Clamp - Cable	41 3 1	59-0880	Bolt	25 19 5
57-9190	Clip - Choke Cable	39 12 1	59-0950	Screw - Machine, Pan Hd	33 5 2
57-9340	Plug - Spark	33 33 2	59-0970	Screw - Hex Hd	33 40 1
57-9360	Bearing - Flanged Sleeve	23 * 1	59-0980	Screw - Hex Washer Hd	41 15 2
57-9360	Bearing - Flanged Sleeve	25 * 1	59-1010	Screw - Hex Hd Cap	41 6 2
57-9430	Regulator - Voltage	41 22 1	59-1020	Screw - Shoulder	39 6 1
57-9440	Stator with Terminals	33 17 1	59-1030	Screw - Hex Hd Cap	41 7 1
57-9550	Clamp - Hose	35 37 1	59-1080	Screw - Hex Washer Hd	41 17 5
57-9550	Clamp - Vacuum Port	33 19 1	59-1100	Screw - Hex Flange Hd	41 2 2
57-9570	Seal - Governor Shaft Oil	33 7 1	59-1120	Bolt	27 15 4
57-9580	Seal - Crankshaft Oil	33 9 1	59-1130	Nut	33 16 1
57-9610	O-Ring - Oil Fill Cap	31 24 1	59-1180	Capacitor	33 42 1
57-9630	Bearing - Ball	33 8 1	62-2710	Starter	43 * 1
57-9640	Ball - Governor Fly	27 6 5	62-2730	Kit - Bushing	43 * 1
57-9650	Bearing - Governor Shaft	33 2 1	62-2740	Kit - Brush	43 9 1
57-9660	Key - Camshaft Gear	27 3 1	62-2750	Holder - Brush.	43 10 1
57-9660	Key - Crankshaft Gear	27 24 1	62-2760	Kit - Hardware, Starter	43 1 1
57-9700	Clip - Retaining	41 23 1	62-2770	Kit - Shift Lever	43 4 1
57-9700	Clip - Retaining	35 29 1	62-2800	Kit - Float	37 1 1
57-9710	Ring - Retaining	27 20 1	71-5900	Guard - Flywheel Spec. D	27 16 1
57-9730	Clip - Retaining	41 24 1	71-5960	Filter - Fuel	35 50 1
57-9730	Clip - Retaining	33 26 1	71-5990	Cover - Ignition Plunger	33 30 1
57-9750	Washer - Flat, Copper	33 12 5	71-6000	Coil with Nuts - Battery Ignition	33 31 1
57-9750	Washer - Flat, Copper 5/16	31 10 2	71-6010	Rotor - Ignition	33 32 1
57-9770	Washer - Flat	43 14 2	71-6020	Cable - Spark Plug 18 Long	33 * 1
57-9800	Bearing - Flanged Sleeve	23 * 1	71-6040	Starter	43 * 1
57-9800	Bearing - Flanged Sleeve	25 * 1	71-6080	Bracket - Lifting	41 18 2
59-0010	Bearing - Flanged Sleeve	23 * 1	71-6100	Hose - Vacuum	35 41 1
59-0010	Bearing - Flanged Sleeve	25 * 1	71-6120	Hose	35 48 1
59-0020	Bearing - Crankshaft,	23 * 1	71-6140	Grommet - Rubber	35 34 1
59-0020	Bearing - Crankshaft,	25 * 1	71-6170	Seal	31 39 1
59-0030	Bearing - Crankshaft,	23 * 1	71-6190	Key - Flywheel	27 23 1
59-0030	Bearing - Crankshaft,	25 * 1	71-6220	Clamp - Wire	33 37 1
59-0040	Bearing - Crankshaft,	23 * 1	72-3860	Kit - Choke Shaft	37 10 1
59-0040	Bearing - Crankshaft,	25 * 1	72-3870	Kit - Choke Lever	37 11 1
59-0070	Plug - Breather Hole	23 * 1	72-3880	Screw - Washer Hd Cap	39 5 1
59-0270	Tappet - Valve .005	23 * 4	72-3890	Screw - Machine	39 9 1
59-0270	Tappet - Valve .005	25 * 4	72-3900	Screw - Hex Hd	41 4 1

*Not Illustrated

TORO PART NUMBER INDEX (Continued)

Part No.	Description	Pg. Ref. No. No. Qty.	Part No.	Description	Pg. Ref. No. No. Qty.
72-3900	Screw - Washer Hd	39 11 1	82-0230	Valve - Exhaust	23 23 2
72-3930	Solenoid - Starter No.	43 5 1	82-0230	Valve - Exhaust	25 23 2
72-3940	Kit - Clutch, Starter No.	43 3 1	82-0240	Cap - Exhaust Valve	23 43 2
72-3950	Seal - Dust, Starter No.	43 2 1	82-0240	Cap - Exhaust Valve	25 43 2
78-0020	Hourmeter	45 6 1	82-0250	Lock - Valve Spring	23 28 8
78-3270	Tank - Fuel	21 18 2	82-0250	Lock - Valve Spring	25 28 8
78-3320	Bracket - Gauge Mounting	45 8 1	82-0260	Gasket - Valve Cover	23 6 2
78-7560	Linkage Drive, Lower RH	13 3 1	82-0260	Gasket - Valve Cover	25 6 2
78-7570	Linkage Drive, Lower LH	13 * 1	82-0270	Seal - Intake Valve	25 8 2
78-7800	Bracket - Seat Mounting	51 2 1	82-0280	Cover - Valve Compartment	23 5 2
78-9180	Frame w/Bumper	3 1 1	82-0290	Pin - Piston	
78-9670	Switch - PTO	45 20 1		Spec. D Engine	29 2 2
79-0370	Decal - Danger	53 2 2	82-0360	Standard	29 * 2
79-0560	Strap	13 40 2	82-0380	.010 Oversize	29 * 2
79-1260	Block - Pivot	13 13 2	82-0390	.020 Oversize	29 * 2
79-2710	Panel - Front	15 5 2	82-0400	.030 Oversize	29 * 2
79-4210	Fork - Front Wheel	3 13 2	82-0410	Bushing - Piston Ring	29 7 2
79-4730	Decal - Hood	53 22 1	82-0420	Standard	29 * 4
79-4800	Handle	21 36 1	82-0430	.002 Undersize	29 * 4
79-4950	Bracket & Cable - Throttle	21 37 1	82-0440	.010 Undersize	29 * 4
79-5250	Engine - 24 HP Toro Power	21 * 1	82-0450	.020 Undersize	29 * 4
79-5630	Fender - RH	15 2 1	82-0460	.030 Undersize	29 * 4
79-5650	Decal - Steering/Throttle	53 8 1	82-0470	Rod - Connecting	29 4 2
79-6050	Bushing - Front Bearing	3 14 4	82-0480	Tube - Oil Crankcase	23 21 1
79-6440	Guard - Flywheel Spec. E	27 * 1	82-0480	Tube - Oil Crankcase	25 21 1
79-6470	Filter - Oil Spec. E Engine	31 * 1	82-0490	Cup - Oil Pump Intake	31 18 1
79-6470	Gasket - Adapter	31 * 1	82-0500	Adapter - Oil Filter	31 12 1
79-6490	Gasket - Plate	33 29 1	82-0510	Drain - Oil	31 8 1
79-6520	Spacer - Cover	35 9 1	82-0520	Gasket - Adapter	31 13 1
79-6540	Screw - Hex Washer Hd ST	35 7 2	82-0530	Clamp - Breather	23 32 1
82-0010	Decal - Air Cleaner	35 17 1	82-0530	Clamp - Breather	25 32 1
82-0030	Base - Oil	31 19 1	82-0540	Tube - Breather	23 3 1
82-0040	Nut	23 40 20	82-0540	Tube - Breather	25 3 1
82-0040	Nut	25 40 20	82-0550	Cap & Valve - Breather	23 2 1
82-0070	Washer	23 48 2	82-0550	Cap & Valve - Breather	25 2 1
82-0070	Washer	25 48 2	82-0560	Screen - Breather Tube	23 33 2
82-0080	Insert - Exhaust Seat STD	23 24 2	82-0560	Screen - Breather Tube	25 33 2
82-0080	Insert - Exhaust Seat STD	25 24 2	82-0570	Seal - Breather	23 34 1
82-0090	Insert - Exhaust Seat .002	23 * 2	82-0570	Seal - Breather	25 34 1
82-0090	Insert - Exhaust Seat .002	25 * 2	82-0580	Tube - Oil Fill	
82-0100	Insert - Exhaust Seat .005	23 * 2		Spec. D Engine	31 38 1
82-0100	Insert - Exhaust Seat .005	25 * 2	82-0590	Oil Fill Cap & Indicator	31 23 1
82-0110	Insert - Exhaust Seat .010	23 * 2	82-0600	Housing - Air L.H.	
82-0110	Insert - Exhaust Seat .010	25 * 2		Spec. D Engine	41 14 1
82-0120	Insert - Exhaust Seat .025	23 * 2	82-0610	Flywheel	27 18 1
82-0120	Insert - Exhaust Seat .025	25 * 2	82-0620	Guard	41 29 1
82-0130	Gasket - Cylinder Head	23 9 2	82-0640	Housing - Air R.H.	41 20 1
82-0130	Gasket - Cylinder Head	25 9 2	82-0660	Element - Air Cleaner	35 4 1
82-0140	Guide - Exhaust Valve	23 26 2	82-0670	Foam Element - Air Cleaner	35 3 1
82-0140	Guide - Exhaust Valve	25 26 2	82-0690	Cover - Air Cleaner	35 2 1
82-0150	Guide - Intake Valve	23 * 2	82-0700	Tube - Air Intake	35 11 1
82-0150	Guide - Intake Valve	25 * 2	82-0720	Seal - Intake Valve	23 8 2
82-0160	Insert - Intake Seat STD	25 25 2	82-0720	Support - Air Cleaner	35 25 1
82-0180	Insert - Intake Seat .002	25 *	82-0730	Plate - Air Deflector	35 10 1
82-0210	Cylinder Head	23 10 2	82-0740	Jet - Power, High Altitude	37 4 1
82-0210	Cylinder Head	25 10 2	82-0750	Jet - Idle	37 5 1
82-0220	Valve - Intake	23 22 2	82-0770	Carburetor - Complete	35 15 1
82-0220	Valve - Intake	25 22 2	82-0780	Kit - Repair	37 2 1

*Not Illustrated

TORO PART NUMBER INDEX (Continued)

Part No.	Description	Pg. No.	Ref. No.	Qty.	Part No.	Description	Pg. No.	Ref. No.	Qty.
82-0790	Jet - Power	37	6	1	92-0927	Insert - Intake Seat .025	25	*	2
82-0800	Solenoid - Fuel Cut-Off	37	8	1	92-0928	Mtg. Stud - Cylinder Hd	25	36	8
82-0810	Kit - Throttle Shaft	37	12	1	92-0929	Mtg. Stud - Cylinder Hd	25	*	4
82-0850	Gasket - Carburetor	37	3	1	92-0932	Mtg. Stud - Cylinder Hd	25	*	8
82-0850	Gasket - Carburetor35	16	1		92-0934	.005 Oversize	29	*	2
82-0860	Gasket - Manifold to Block	35	24	2	92-0935	.010 Oversize	29	*	2
82-0870	Manifold - Intake	35	19	1	92-0936	.020 Oversize	29	*	2
82-0920	Bracket - Ignition Coil	33	43	1	92-0937	.030 Oversize	29	*	2
82-0980	Spacer	35	18	1	92-0938	Pin - Piston			
82-1000	Kit - Terminal Connector	33	21	1		Spec. E Engine	29	*	2
82-1060	Connector - Hose	35	40	1	92-0939	Standard	29	*	2
82-1070	Connector - Hose	35	*	1	92-0940	.005 Oversize	29	*	2
82-1080	Clamp - Wire	35	44	6	92-0941	Gear - Crankshaft			
82-1090	Clamp - Breather Hose	35	33	2		Spec. E Engine	27	*	1
82-1110	Hose - Fuel	35	26	1	92-0942	Base - Oil	31	*	1
82-1120	Tube - Crankcase Breather	35	14	1	92-0943	Plug - Drain	31	22	1
82-1310	Washer - Flat	35	43	4	92-0944	Cup - Oil Pump Intake	31	*	1
82-1310	Washer - Flat	31	26	4	92-0945	Tube - Crankcase Breather	35	*	1
82-1310	Washer - Lock	25	42	5	92-0946	Plate - Air Deflector	35	*	1
82-1320	Washer - Flat	27	12	1	92-0947	Tube - Oil Fill			
82-1340	Washer	35	42	2		Spec. E Engine	31	*	1
82-1340	Washer - Lock	33	35	2	92-0948	Housing - Blower	41	*	1
82-1340	Washer - Lock, Spring	31	15	2	92-0949	Housing - Air L.H.			
82-1350	Washer - Flat	35	23	2		Spec. E Engine	41	*	1
82-1360	Screw - Hex Hd Cap	33	38	1	92-0950	Housing - Air R.H.			
82-1370	Bolt	31	14	1		Spec. E Engine	41	*	1
82-1380	Bolt	23	31	2	92-0959	Harness - Wire	33	*	1
82-1380	Bolt	25	31	2	302-16	Fitting - Grease	3	22	2
82-1410	Bolt	33	11	4	321-2	Screw x 1/4-20 x 1-1/2	21	34	2
82-1410	Screw - Hex Hd Cap	33	45	1	321-4	Bolt 1/4-20 x 3/4	45	26	2
82-1420	Screw - Hex Hd	43	12	2	321-4	Bolt 1/4-20 x 3/4	45	37	1
82-1430	Screw - Hex Hd Cap	35	22	4	322-3	Bolt 5/16-18 x 3/4		34	2
82-1440	Screw	31	21	4	322-3	Bolt 5/16-18 x 3/4	5	34	2
82-1470	Bolt - Rod Cap	29	5	4	322-5	Bolt 5/16 - 18 x 1		39	4
82-1480	Screw - Round Hd S.T.	23	11	1	322-5	Bolt 5/16 - 18 x 1	5	39	4
82-1480	Screw - Round Hd S.T.	25	11	1	322-11	Screw - Machine, Hex Hd	5	9	2
82-1500	Screw - Machine, Hex Hd	33	23	3	322-41	Bolt 5/16 x 1-3/4	15	10	2
82-1510	Screw - Cap Hex Hd	31	7	2	323-6	Bolt	21	31	2
82-1590	Screw - Pan Hd	41	28	4	323-6	Bolt - Hex 3/8-16 x 1		25	5
82-1600	Screw - Hex Washer Hd	41	13	2	323-6	Bolt - Hex 3/8-16 x 1	5	25	5
82-1610	Washer - Lock	33	15	3	323-6	Bolt 3/8-16 x 1	7	15	4
82-1630	Washer - Lock	27	26	4	323-6	Bolt 3/8-16 x 1		31	4
82-1640	Washer - Lock	23	42	5	323-6	Bolt 3/8-16 x 1	5	31	4
82-1650	Washer	23	45	24	323-7	Bolt 3/8-16 x 1-1/4	7	16	2
82-1660	Washer - Lock	33	25	2	323-7	Bolt 3/8-16 x 1-1/4	3	29	12
82-1660	Washer - Lock	39	7	1	323-8	Bolt 3/8-16 x 1-1/2		8	8
82-1690	Nut - Hex Washer Hd	35	27	2	323-8	Bolt 3/8-16 x 1-1/2	5	8	8
82-1730	Nut - Hex, Starter No.	43	6	1	323-10	Bolt 3/8-16 x 2	3	10	2
82-1740	Spring - Governor Rod	35	30	1	323-14	Bolt 3/8-16 x 3	7	30	8
82-1770	Screw - Machine, Hex Hd	35	8	3	327-4	Bolt - Idler Sprocket		26	2
83-3560	Tire - Front 13 x 5.00-6	47	9	2	327-4	Bolt - Idler Sprocket	5	26	2
88-6530	Tire - Knobby, Rear	47	*	2	327-15	Bolt 5/8-11 x 7	3	18	2
92-0913	Nut - Wing	35	13	1	3211-5	Bolt 3/8-24 x -1/4	49	7	1
92-0914	Cover - Element	35	12	1	3217-6	Nut 5/16-18		5	4
92-0924	Block - Short 24 HP				3217-6	Nut 5/16-18	5	5	4
	Spec. E Engine	25	1	1	3217-6	Nut 5/16-18	15	11	4
92-0925	Insert - Intake Seat .005	25	*	2	3217-30	Nut 5/8 x 11	3	19	2
92-0926	Insert - Intake Seat .010	25	*	2	3247-2	Screw - Set 3/8-16 x 1/2	7	29	2

*Not Illustrated

TORO PART NUMBER INDEX (Continued)

Part No.	Description	Pg. Ref. No. No. Qty.	Part No.	Description	Pg. Ref. No. No. Qty.
3248-6	Screw - Set Sq Hd	7 28 8	3256-24	Washer - Flat 3/8 SAE	51 66 4
3253-3	Washer - Lock 1/4	21 47 2	3256-24	Washer 3/8 SAE	32 2
3253-3	Washer - Lock 1/4	45 29 2	3256-24	Washer 3/8 SAE	5 32 2
3253-8	Washer - Lock 5/8	3 30 2	3256-27	Washer 5/8 SAE	28 6
3253-21	Washer - Lock 3/8	30 4	3256-27	Washer 5/8 SAE	5 28 6
3253-21	Washer - Lock 3/8	5 30 4	3272-6	Pin - Cotter 3/32 x 3/4	51 62 2
3253-21	Washer - Lock 3/8	41 4	3272-19	Pin - Cotter 5/32 x 1-3/4	19 10 2
3253-21	Washer - Lock 3/8	5 41 4	3296-29	E.S. Nut 5/16-18	35 3
3256-4	Washer - Flat 3/8 US	7 8	3296-29	Nut 5/16-18	5 35 3
3256-4	Washer - Flat 3/8 US	5 7 8	3296-39	Nut 3/8-16	3 11 2
3256-4	Washer 3/8 US	3 12 2	3296-39	Nut 3/8-16	7 13 14
3256-4	Washer 3/8 US	7 14 18	3296-39	Nut 3/8-16	3 28 12
3256-22	Washer 1/4 SAE	45 27 2	3296-39	Nut 3/8-16	33 4
3256-23	Washer - Flat 5/16 SAE	37 1	3296-39	Nut 3/8-16	5 33 4
3256-23	Washer - Flat 5/16 SAE	5 37 1	3296-42	E.S. Nut 1/4-20	51 58 2
3256-24	Washer - 3/8	21 30 1	32151-91	Ring - Retaining	3 15 2

In an effort to make improvements available to TORO owners as quickly as possible, minor changes are incorporated into Toro's products from time to time that do not become immediately shown in the Parts Catalog. If such a change has been made in your unit, which is not reflected in your manual, see your TORO Distributor or his Authorized TORO Service Dealer for information and part numbers.

IDENTIFICATION AND ORDERING

MODEL AND SERIAL NUMBERS

The two identification numbers; a model number and a serial number. The two numbers are stamped on a plate which is located on the main frame under the seat. In any correspondence concerning the Product, supply model and serial numbers to assure that correct information and replacement parts are obtained.

To order replacement parts from an Authorized TORO Service Dealer, supply the following information:

1. Model and serial number.
2. Part number, description, and the quantity of part(s) desired.

NOTE: Do not order by reference number if a parts catalog is being used; use the PART NUMBER.

TABLE OF CONTENTS

Description	Page	Description	Page
Frame, Rear Hub And Front Wheel Fork	2	Gearcase And Ignition Controls	32
Transmission Drive Frame	4	Air Cleaner And Carburetor	34
Transmission Drive	6	Carburetor Components	36
Hydrostatic Transmission	8	Choke Linkage	38
"T" Gearbox Assembly	10	Blower Housing Assembly	40
Transmission Drive Linkage	12	Starter	42
Fender And Covers	14	Electrical Systems	44
Parking Brake	16	Wheel And Tires	46
Attachment Height Control	18	P.T.O. Electric Clutch	48
Engine And Fuel System	20	Seat	50
Engine Cylinder Block	22	Decals	52
Crankshaft, Camshaft, And Flywheel	26	Wiring Diagram	54
Piston And Rod	28	Numeric Index	55-62
Oil System	30		

