



## Z334 Z Master<sup>®</sup> With 34in 7-Gauge Side Discharge Mower

Model No. 74408 - 270000701 and up.

Model No. 74408CP - 270000701 and up.

### Parts Catalog

---

#### Ordering Replacement Parts

To order replacement parts, please supply the part number, the quantity, and the description of each part desired.

#### Understanding Reference Numbers

Each identified part in an illustration has a reference number. The reference number for a part also appears in the parts list, along with other information about the part.

This catalog uses two special reference number formats, one to indicate parts in a service assembly and another to indicate the quantity of a given part in an illustration.

#### Service Assembly Reference Numbers

Parts in service assemblies have reference numbers in the form a:b. The a represents the reference number of the entire service assembly and the b represents a sequential number unique to each part within the service assembly.

For example, a wheel assembly might be identified by reference number 6, the tire by 6:1, the valve by 6:2, and the wheel by 6:3. When you order the assembly identified by reference number 6, you receive all parts identified by reference numbers 6:1, 6:2, and 6:3. However, you may also order any part individually. Reference numbers of this type appear in illustrations and in part lists.

#### Reference Numbers Indicating Quantity

In an illustration, if a reference number indicates more than one part, the reference number has the form nX y. The n represents the quantity of the part, the X is the multiplication symbol, and the y represents the reference number.

For example, in an illustration, the reference number 2X 37 means that two of the parts identified by reference number 37 are indicated.

# Contents

Description	Page	Description	Page
Deck Connection Assembly	3	Piston and Crankshaft Assembly Kawasaki FH580V-AS40-R	22
Deck Assembly	4	Valve and Camshaft Assembly Kawasaki FH580V-AS40-R	23
Deck Decal Assembly No. 114-0503	5	Lubrication Equipment Assembly Kawasaki FH580V-AS40-R	24
Deflector Assembly No. 110-9917	6	Cooling Equipment Assembly Kawasaki FH580V-AS40-R	25
Idler Assembly No. 112-3787	7	Electric Equipment Assembly Kawasaki FH580V-AS40-R	26
Spindle Assembly No. 110-9962	8	Control Equipment Assembly Kawasaki FH580V-AS40-R	27
Brake Linkage Assembly	9	Carburetor Assembly Kawasaki FH580V-AS40-R	28
Frame Assembly	10	Air Filter and Muffler Assembly Kawasaki FH580V-AS40-R	29
Frame Decal Assembly No. 114-0525	11	Fuel Tank and Valve Assembly Kawasaki FH580V-AS40-R	30
Caster and Height-of-Cut Assembly	12	Starter Assembly Kawasaki FH580V-AS40-R	31
Seat Assembly	13	Label Assembly Kawasaki FH580V-AS40-R	32
Motion Control Assembly	14	Attachments and Accessories List	33
Fuel Tank Assembly	15		
Engine Mounting Assembly	16		
Hydraulic Drive Assembly	17		
LH Transmission Assembly No. 109-5847	18		
RH Transmission Assembly No. 109-5846	19		
Electrical Assembly	20		
Cylinder and Crankcase Assembly Kawasaki FH580V-AS40-R	21		

## Part Description Abbreviations

Part descriptions in this catalog may include the following abbreviations.

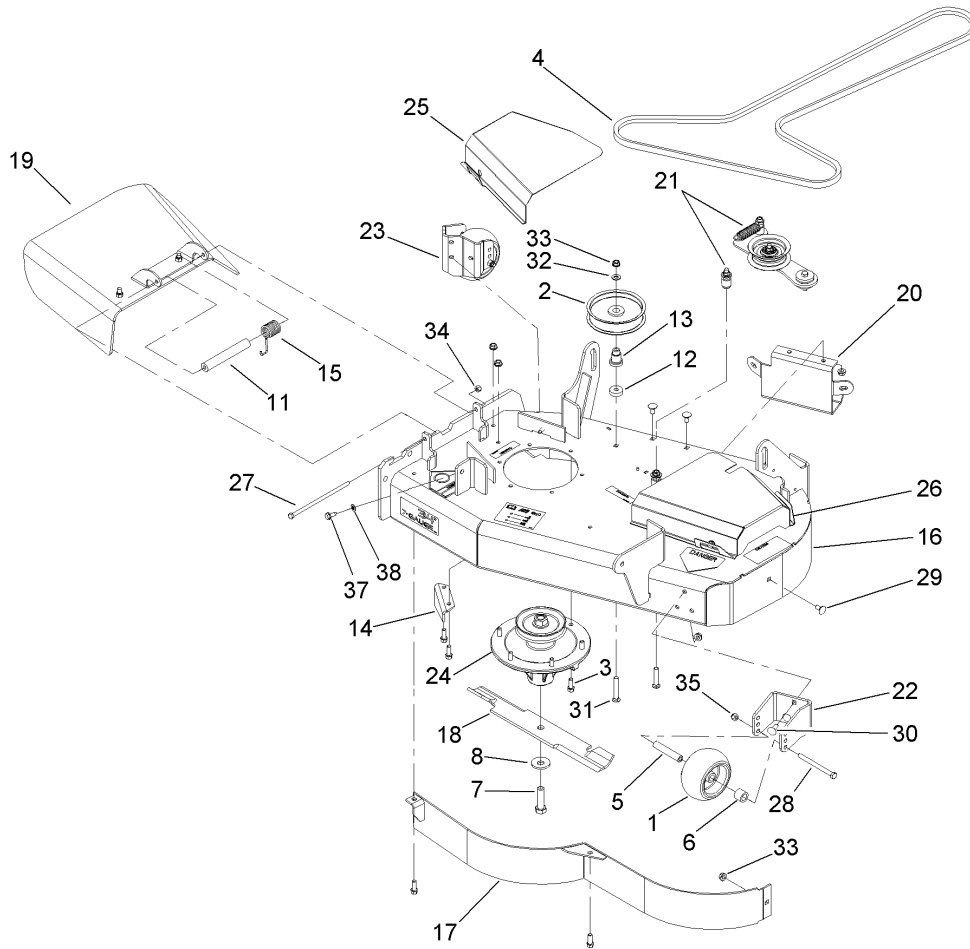
AR. .... as required	HYD. .... hydraulic
ASM. .... assembly	LH. .... left hand
BBC. .... blade brake clutch	NI. .... nylon insert
CARR. .... carriage	NPTF. .... national pipe thread fine
DEG. .... degrees	PFH. .... phillips flat head
EXT. .... external	PPH. .... phillips pan head
FH. .... flat head	PPHTF. .... phillips pan head thread forming
GA. .... gauge	PRH. .... phillips round head
HD. .... heavy-duty	PTH. .... phillips truss head
HF. .... hex flange	PTO. .... power-take-off
HH. .... hex head	RH. .... right hand
HHF. .... hex head flange	ROPS. .... roll-over protection system
HHFTF. .... hex head flange thread forming	SFH. .... slotted fillister head
HJ. .... hex jam	SHH. .... slotted hex head
HLH. .... hex lag head	SHWH. .... slotted hex washer head
HOC. .... height-of-cut	SPH. .... slotted pan head
HSBH. .... hex socket button head	SQH. .... square head
HSFH. .... hex socket flat head	SRH. .... slotted round head
HSH. .... hex socket head	STD. .... standard
HWH. .... hex washer head	TAP. .... self tapping
HWHTF. .... hex washer head thread forming	TTH. .... torx truss head

## Footnotes

- ❶ Not illustrated
- ❷ Obtain from your local Kawasaki dealer

- ❸ Not serviced separately



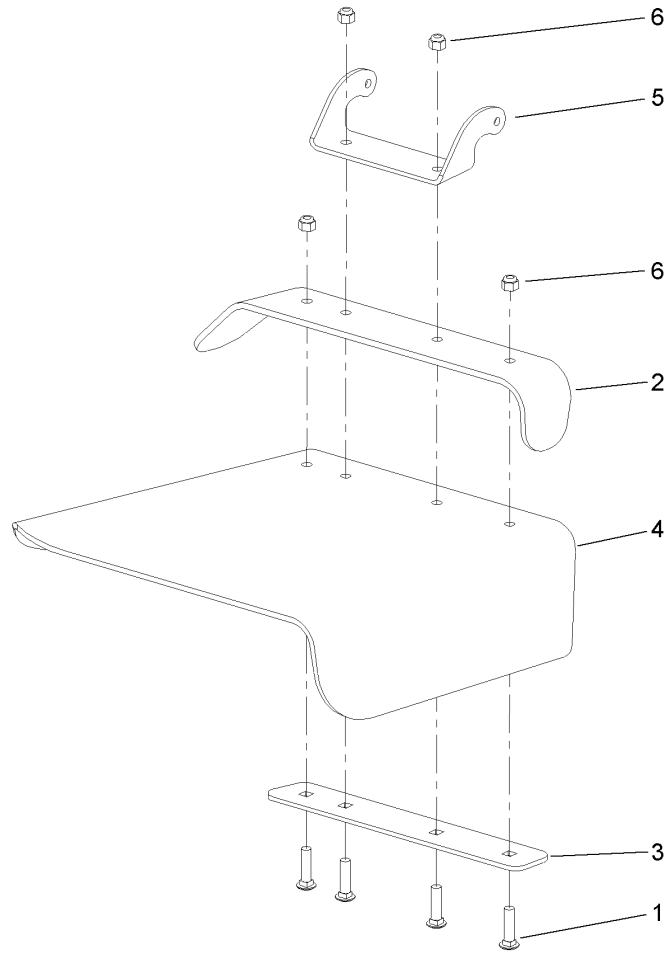


## Deck Assembly

Ref	Part No.	Qty.	Description
1	1-603299	2	Roller-Scalp, Anti
2	1-613098	1	Pulley-Idler
3	92-1624	16	Screw
4	114-0451	1	Belt
5	98-7912	2	Tube-Spanner
6	98-7913	2	Tube-Spacer
7	51-4060	2	Screw-Blade
8	103-0865	2	Washer-Blade Bolt, Heavy
11	105-4622	1	Spacer
12	105-7788	1	Spacer
13	106-3214	1	Mount-Pulley
14	107-8541-01	1	Baffle-Discharge
15	108-4052	1	Spring-Torsion
16	114-0503	1	Deck Decal ASM
17	110-1515-01	1	Baffle
18	110-9915-03	2	Blade-Rotary, 17.50 High Flow
19	110-9917	1	Deflector ASM
20	110-9926-01	1	Plate-Skid
21	112-3787	1	Idler ASM
22	110-9946-01	1	Plate-Support, Wheel
23	110-9949-01	1	Mount-Wheel, RH
24	110-9962	2	Spindle ASM
25	110-9959-01	2	Cover-RH
26	110-9968-01	1	Cover-LH

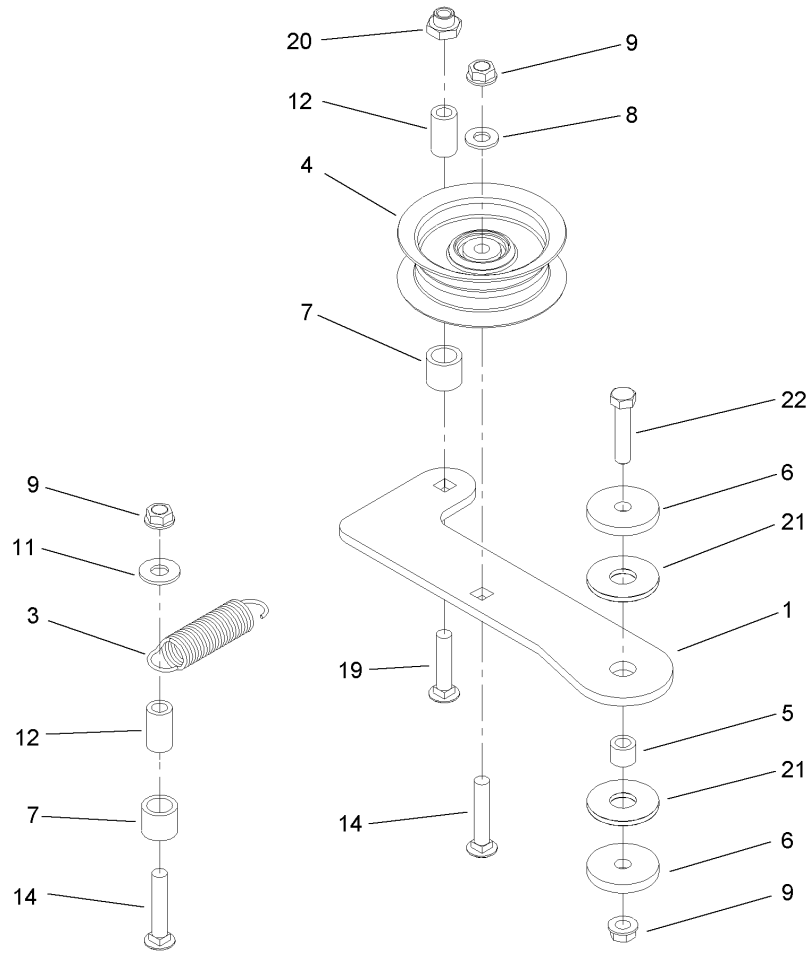
Ref	Part No.	Qty.	Description
27	322-50	1	Screw-HH
28	323-23	2	Screw-HH
29	3231-1	5	Screw-CARR
30	3231-2	6	Screw-CARR
31	3231-31	1	Screw-CARR
32	3256-24	1	Washer-Flat
33	3290-357	14	Nut-HHF, Whiz
34	3296-29	1	Nut-Lock, NI
35	3296-39	2	Nut-Lock, NI
37	32144-70	4	Screw-HWHTF
38	3256-23	4	Washer-Flat





## Deflector Assembly No. 110-9917

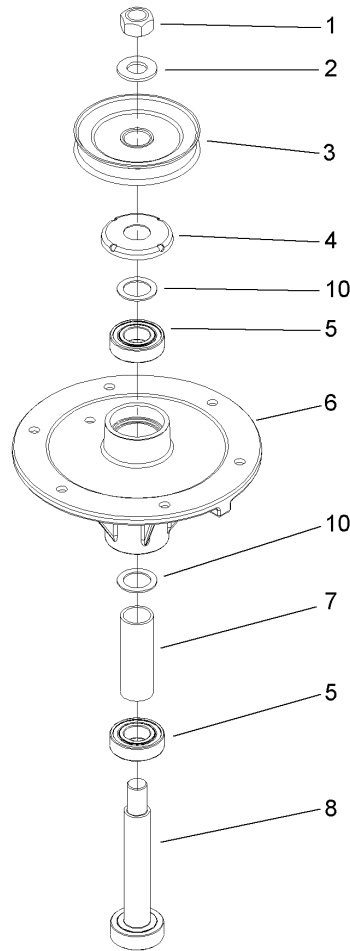
Ref	Part No.	Qty.	Description
1	3231-4	4	Screw-CARR
2	110-0792-01	1	Deflector
3	110-0793-03	1	Strap-Discharge
4	110-0791	1	Deflector-Rubber
5	110-9923-01	1	Bracket-Mounting, Deflector
6	3296-39	4	Nut-Lock, NI



### Idler Assembly No. 112-3787

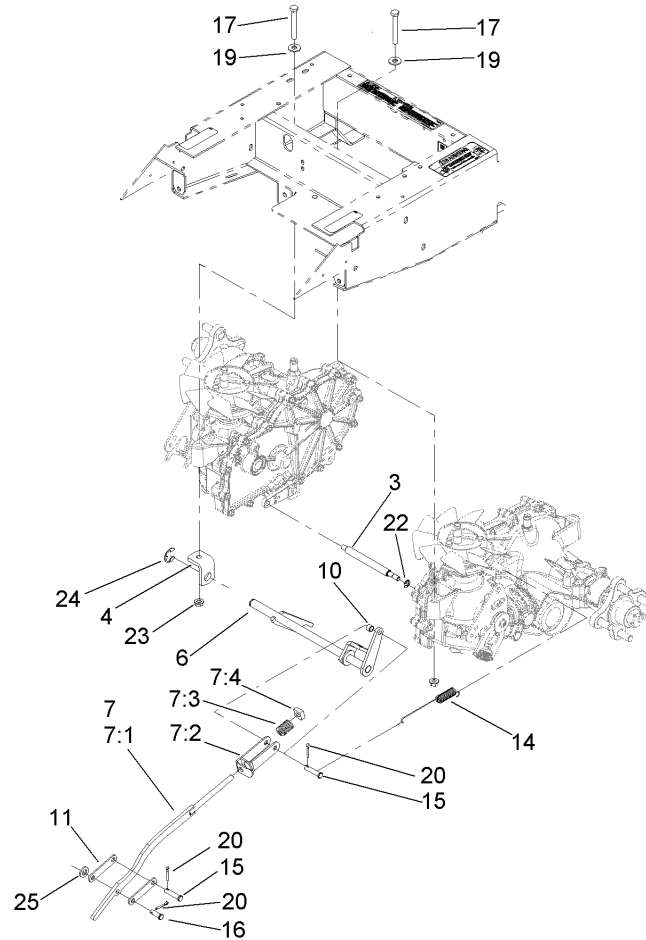
Ref	Part No.	Qty.	Description
1	110-9996	1	Arm-Idler
3	108-4056	1	Spring-Extension
4	106-2175	1	Pulley-Idler, Flat
5	1-413088	1	Bushing-Lever, Lift
6	110-9981	2	Washer-Plain
7	108-4063	2	Spacer-Rubber
8	3256-24	1	Washer-Flat
9	3290-357	3	Nut-HHF, Whiz
11	3256-4	2	Washer-Flat
12	1-603401	3	Spacer-Fender
14	3231-6	2	Screw-CARR
19	3231-5	1	Screw-CARR
20	103-9933	1	Nut-Shoulder
21	114-0463	2	Washer-Friction, Composite
22	323-9	1	Screw-HH

--	--	--	--



## Spindle Assembly No. 110-9962

Ref	Part No.	Qty.	Description			
1	3219-7	1	Nut-Hex			
2	7-4150	1	Washer			
3	110-9932	1	Pulley			
4	106-3204	1	Shield-Bearing			
5	104-6325	2	Bearing			
6	108-6696	1	Housing-Spindle			
7	107-8502	1	Spacer-Bearing			
8	110-0726	1	Shaft-Spindle			
10	10-8110	2	Washer-Thrust			

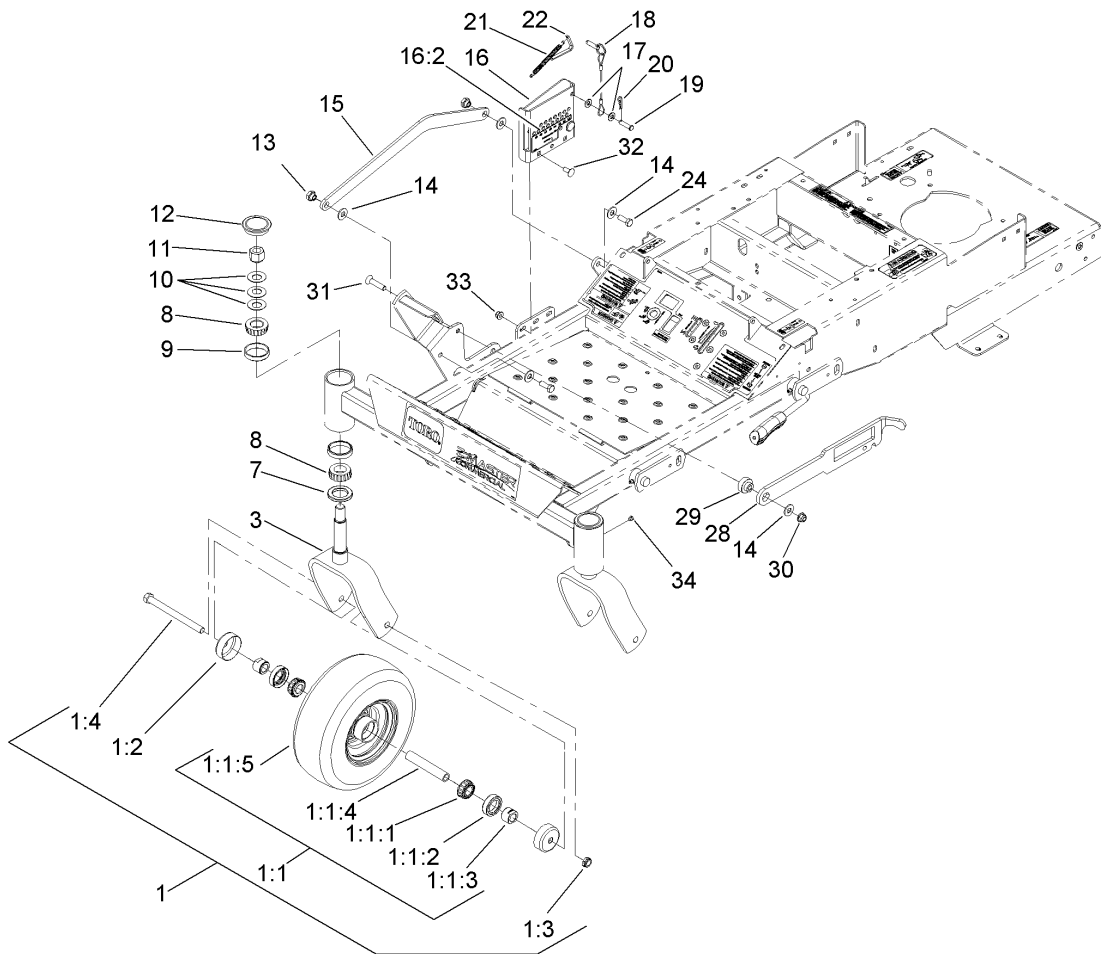


### Brake Linkage Assembly

Ref	Part No.	Qty.	Description				
3	103-9408	1	Bar-Equalizer				
4	103-9409	1	Bracket-Pivot, Brake				
6	109-5376	1	Bellcrank-Brake				
7		1	Brake Link ASM				
7:1	109-5370	1	Link-Brake				
7:2	114-0548	1	Clevis-Brake				
7:3	103-9925	1	Spring-Brake				
7:4	103-9926	1	Nut-Square				
10	1-633545	1	Spacer				
11	109-0223	2	Link-Center, Over				
14	109-2861	1	Spring-Return, Brake				
15	283-6	2	Pin-Clevis				
16	283-75	1	Pin-Clevis				
17	322-12	2	Screw-HH				
19	3256-3	2	Washer-Flat				
20	3272-10	3	Pin-Cotter				
22	32120-35	1	Ring-Retaining, EXT				
23	32128-20	2	Nut-HF				
24	32151-48	1	E-Ring				
25	3256-23	2	Washer-Flat				



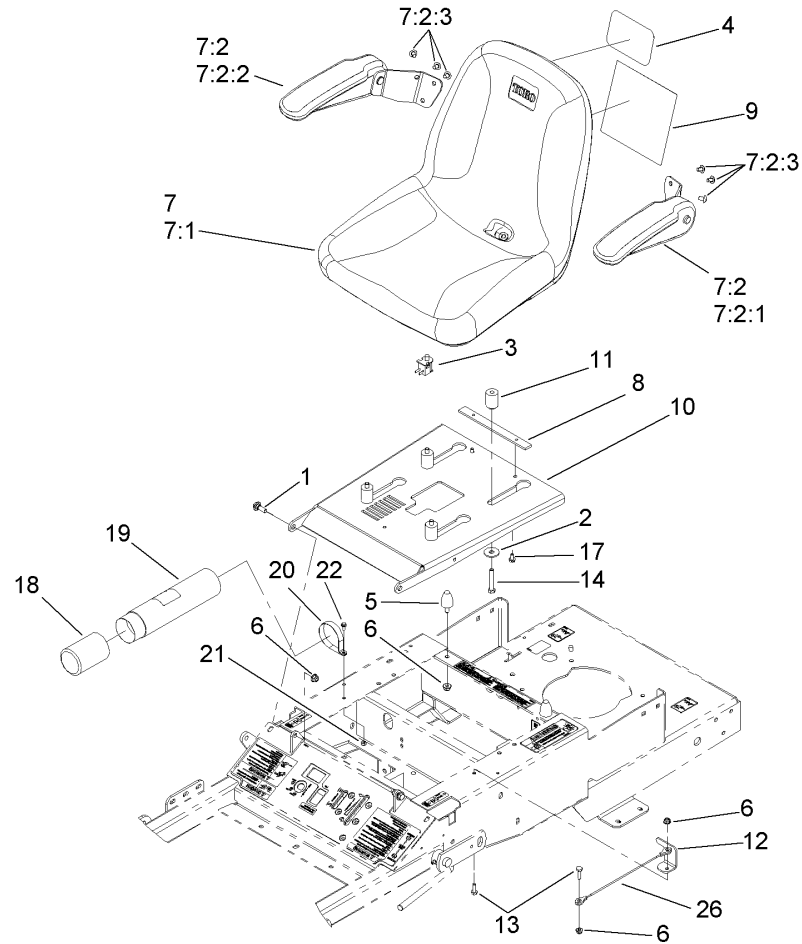




## Caster and Height-of-Cut Assembly

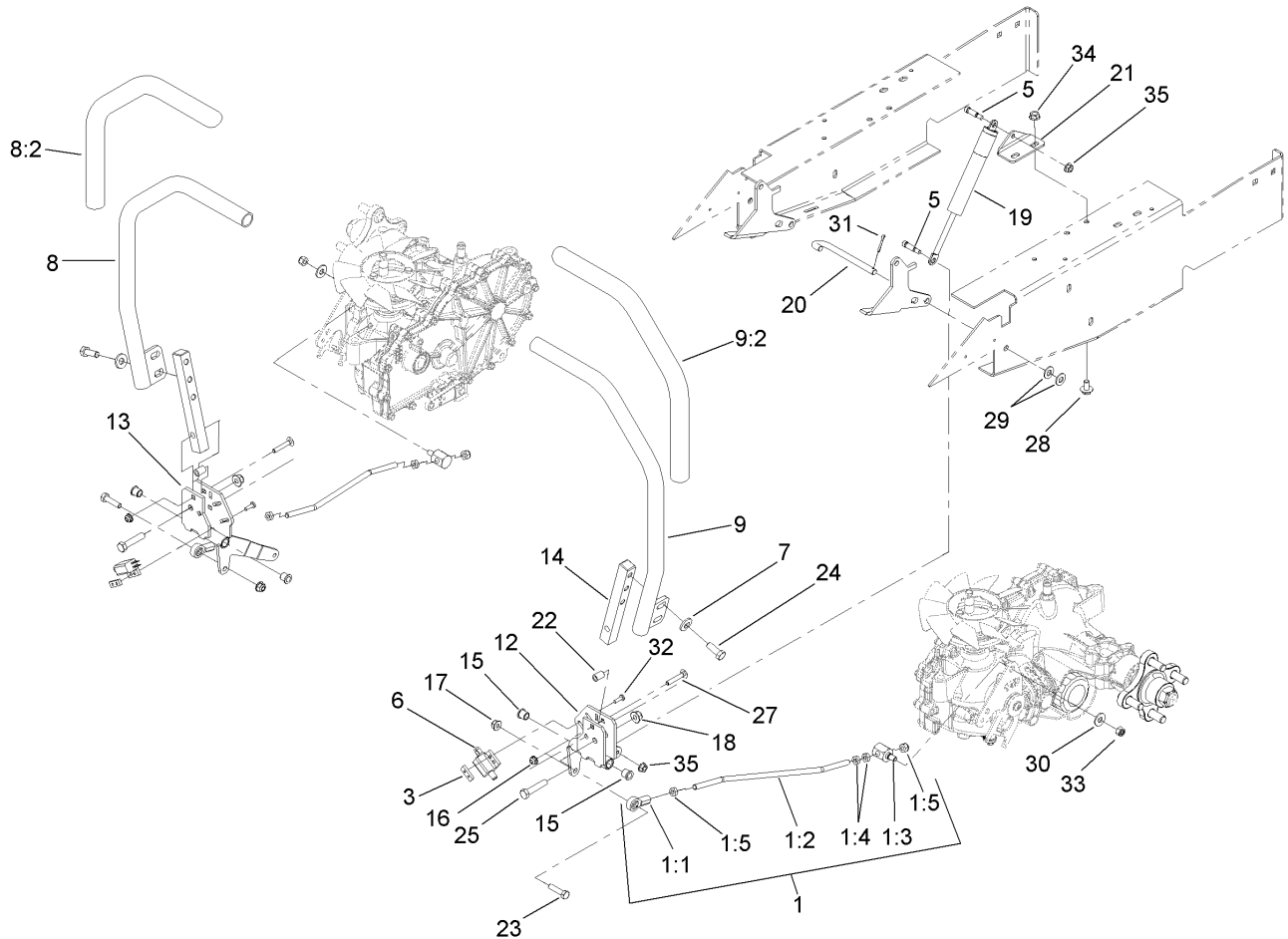
Ref	Part No.	Qty.	Description
1	112-3810	2	Wheel And Bearing ASM
② 1:1		1	Wheel Bearing ASM
1:1:1	1-633585	2	Bearing-Cone, Taper
1:1:2	103-0063	2	Seal-Caster
1:1:3	103-3051	2	Spacer-Nut
1:1:4	103-3157	1	Axle-Caster
1:1:5	110-9965	1	Wheel And Tire ASM
1:2	103-2768	2	Guard-Seal
1:3	3296-45	1	Nut-Lock, NI
1:4	325-20	1	Screw-HH
3	103-8618-01	2	Fork-Caster
7	1-543511	2	Seal-Grease
8	1-543509	4	Bearing-Roller, Tapered
9	1-543508	4	Cup-Bearing
10	1-633508	6	Washer-Bellville
11	3296-51	2	Nut-Lock, NI
12	103-4882	2	Cap-Grease
13	103-9933	2	Nut-Shoulder
14	63-8410	5	Washer
15	103-9932	1	Link-Control, Deck
16	109-3544	1	Height Adjust ASM
16:2	109-2463	1	Decal-Height, Deck
17	1-303334	2	Washer-Spring
18	109-3323	1	Height Pin W/Lanyard ASM

Ref	Part No.	Qty.	Description
19	283-6	1	Pin-Clevis
20	1-806003	1	Pin-Hair
21	109-2416	1	Spring-Adjust, Height
22	109-2620	1	Pawl-Control, Height
24	323-6	2	Screw-HH
28	109-2410	1	Bar-Adjust, Height
29	103-9934	1	Bushing
30	104-8301	1	Nut-Flange, NI
31	3289-19	1	Screw-FH
32	3230-23	2	Screw-CARR
33	104-8300	2	Nut-Flange, NI
34	1-811010	2	Plug



## Seat Assembly

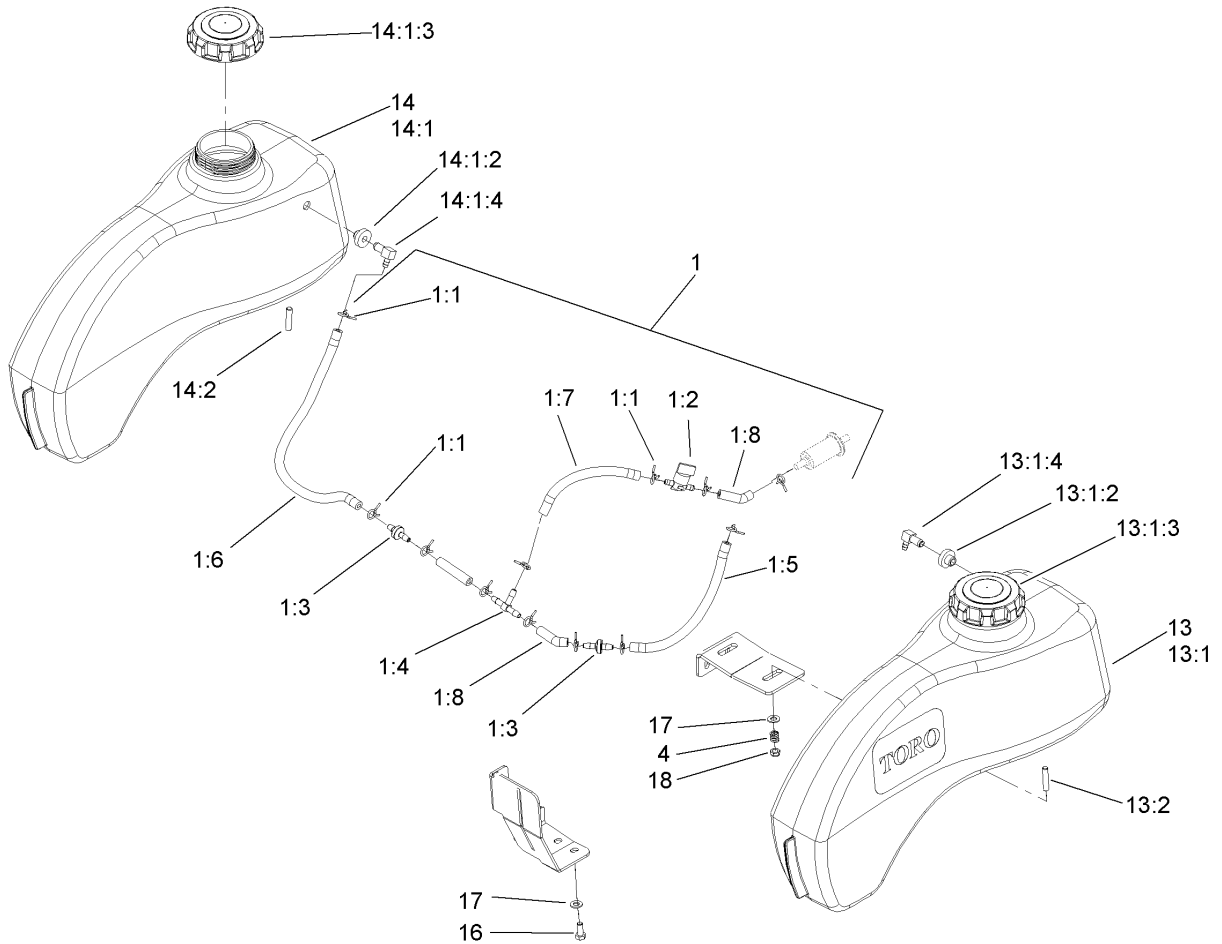
Ref	Part No.	Qty.	Description	Ref	Part No.	Qty.	Description
1	27-0410	2	Screw-Shoulder	22	3290-321	1	Screw-HWH
2	63-8410	4	Washer	26	109-2628	1	Cable-Stop, Seat
3	82-2190	1	Switch-Bail				
4	94-2579	1	Decal				
5	103-9376	2	Bumper-Seat				
6	104-8300	6	Nut-Flange, NI				
7	112-3845	1	Seat (With Arm Rests)				
7:1	112-3846	1	Seat				
7:2	108-6163	1	Armrest Kit				
7:2:1	110-6569	1	LH Armrest Kit				
7:2:2	110-6570	1	RH Armrest Kit				
7:2:3	108-6179	6	Screw-HSBH				
8	109-2427-03	1	Bar-Stop, Seat				
9	112-3836	1	Decal-Service				
10	109-2607-03	1	Bracket-Seat				
11	109-2608	4	Spacer				
12	114-0507	1	Bracket-Seat Holddown				
13	321-6	2	Screw-HH				
14	322-10	4	Screw-HH				
17	32144-4	2	Screw-HWH				
18	104-7048	1	Cap-Housing				
19	104-7050	1	Housing-Manual				
20	2412-120	1	R-Clamp				
21	3296-2	1	Nut-Lock				



## Motion Control Assembly

Ref	Part No.	Qty.	Description
1		2	Steering Rod ASM
1:1	1-543017	1	Balljoint-RH
1:2	103-9407	1	Rod-Steering, LH
1:3	103-9373	1	Trunnion
1:4	3220-2	3	Nut-Jam
1:5	3296-4	1	Nut-Lock
3	1-633181	2	Plate-Tapped
5	1-809057	4	Screw-HSH
6	65-7410	2	Switch-Pole, Single
7	98-5975	4	Washer-Belleville
8	112-3814	1	RH Control Lever ASM
8:2	108-5213	1	Grip-Foam
9	112-3815	1	LH Control Lever ASM
9:2	108-5213	1	Grip-Foam
12	103-9411	1	Control-Steering, RH
13	103-9413	1	Control-Steering, LH
14	103-9414	2	Mount-Post, Lever
15	103-9928	4	Bearing
16	104-7201	4	Nut-HF
17	104-8300	2	Nut-Flange, NI
18	104-8301	2	Nut-Flange, NI
19	109-2339	2	Damper-Control, Motion
20	109-2423	2	Shaft-Pivot, Control
21	109-2428	2	Bracket-Damper

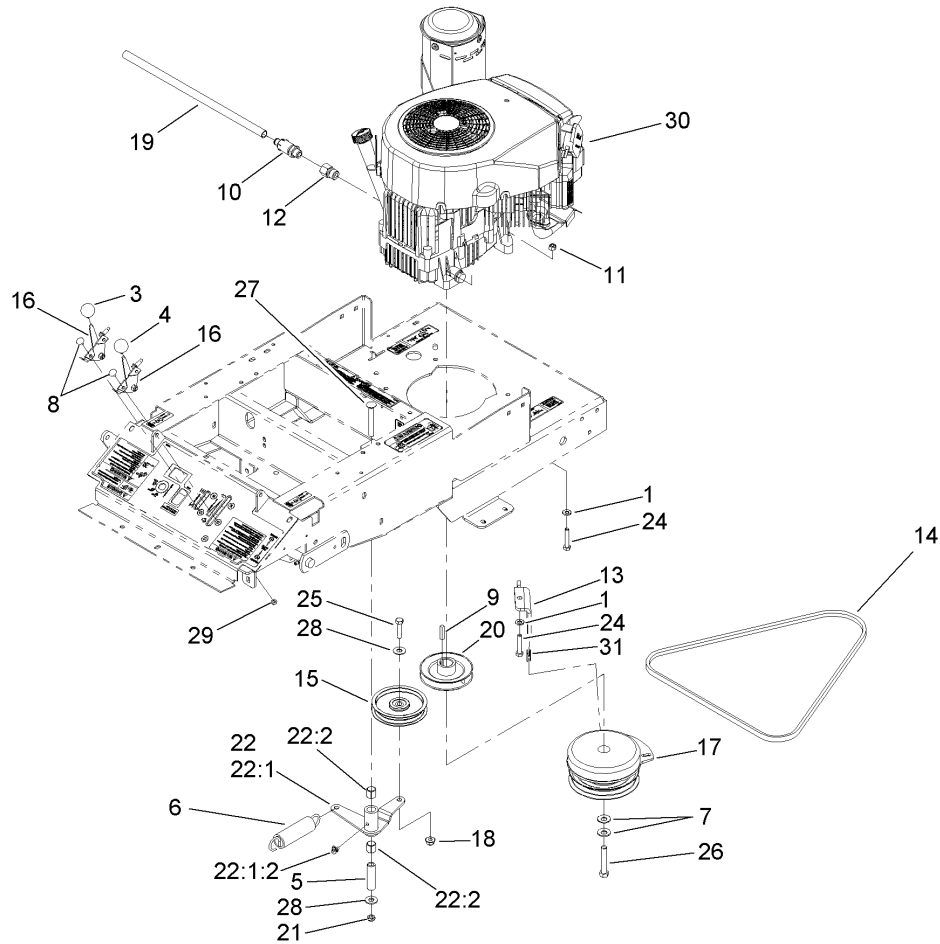
Ref	Part No.	Qty.	Description
22	1-633545	4	Spacer
23	322-6	2	Screw-HH
24	323-6	4	Screw-HH
25	323-9	2	Screw-HH
27	3229-4	4	Screw-CARR
28	3234-7	4	Screw-HHF
29	3256-24	2	Washer-Flat
30	3256-3	2	Washer-Flat
31	3272-10	2	Pin-Cotter
32	3290-500	4	Screw-PPH
33	3296-4	2	Nut-Lock
34	32128-20	4	Nut-HF
35	32128-33	4	Nut-HF



## Fuel Tank Assembly

Ref	Part No.	Qty.	Description
1		1	Fuel Line ASM
1:1	1-303077	12	Clamp
1:2	1-603770	1	Valve-Fuel
1:3	99-5000	2	Valve-Check, Fuel
1:4	99-5005	1	Fitting-Tee, Barbed
1:5	107-7684	1	Hose-Fuel
1:6	108-4582	1	Hose-Fuel
1:7	109-0293	1	Hose-Fuel
1:8	109-0304	3	Hose-Fuel
4	1-633349	4	Spring-Tank, Fuel
13	112-3780	1	LH Tank ASM (W/Studs)
13:1		1	LH Tank ASM
13:1:2	104-7789	1	Bushing
13:1:3	109-0346	1	Cap-Fuel, Gas
13:1:4	109-2420	1	Fitting-Fuel (W/Line And Screen)
13:2	1-633023	2	Stud
14	112-3783	1	RH Tank ASM (W/Studs)
14:1		1	RH Tank ASM
14:1:2	104-7789	1	Bushing
14:1:3	109-0346	1	Cap-Fuel, Gas
14:1:4	109-2420	1	Fitting-Fuel (W/Line And Screen)
14:2	1-633023	2	Stud
16	322-3	2	Screw-HH
17	3256-23	6	Washer-Flat

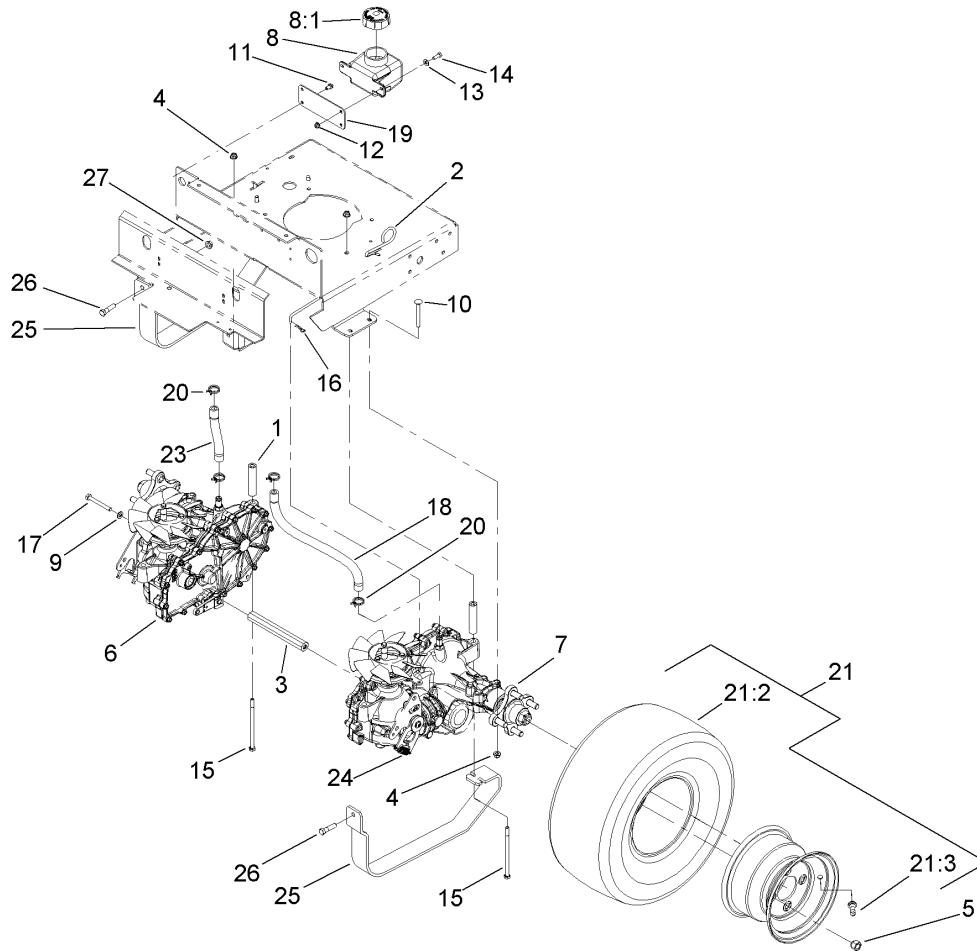
Ref	Part No.	Qty.	Description
18	3296-47	4	Nut-Lock, NI



## Engine Mounting Assembly

Ref	Part No.	Qty.	Description
1	1-303334	4	Washer-Spring
3	1-513592	1	Knob-Ball
4	1-513593	1	Knob-Ball, Black
5	1-603384	1	Bushing-Pivot, Idler
6	108-4056	1	Spring-Extension
7	1-603610	2	Washer-Spring
8	1-807513	4	Bolt-CARR
9	13-2840	1	Key-Square
10	92-6877	1	Valve-Drain, Oil
11	3296-29	4	Nut-Lock, NI
12	103-1966	1	Adapter
13	103-9356-03	1	Rotation-Stop, Clutch
14	112-3799	1	Belt-V
15	103-9401	1	Idler
16	103-9946	2	Throttle Control ASM
17	103-9950	1	Clutch
18	104-8301	1	Nut-Flange, NI
19	106-7022	1	Tube-Drain, Oil
20	109-0393	1	Pulley-Engine
21	3296-59	1	Nut-Lock, NI
22	109-3119	1	Idler Hydro ASM
22:1		1	Arm-Idler
22:1:2	302-40	1	Fitting-Grease
22:2	1-513034	2	Sleeve-Bearing

Ref	Part No.	Qty.	Description
24	322-9	4	Screw-HH
25	323-8	1	Screw-HH
26	3212-10	1	Screw-HH
27	3231-10	1	Screw-CARR
28	3256-4	2	Washer-Flat
29	3296-2	4	Nut-Lock
30		1	Engine-Kawasaki, FH580V-As40-R
31	109-3765	1	Bumper

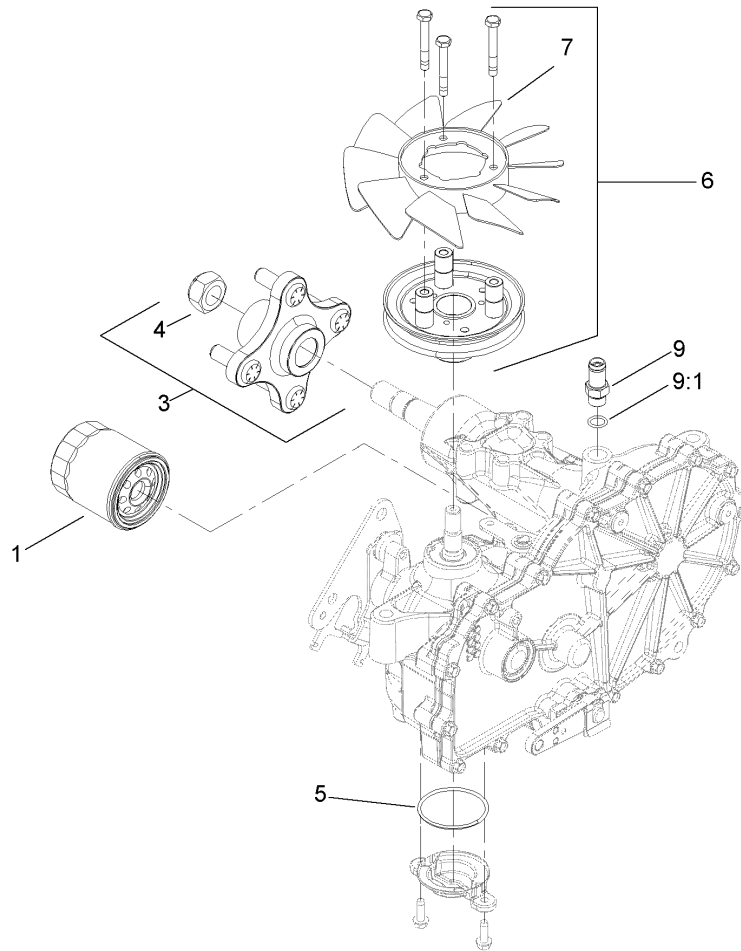


## Hydraulic Drive Assembly

Ref	Part No.	Qty.	Description
1	103-9397	2	Spacer-Hydro
2	103-9380	2	Rod-Bypass, Hydro
3	103-9398	1	Spacer-Axle
4	104-8300	6	Nut-Flange, NI
5	242-50	8	Nut-Lug
6	109-5846	1	Transmission-RH
7	109-5847	1	Transmission-LH
8	109-2250	1	Vent-Tank, Hydro
8:1	109-3320	1	Cap-Reservoir, Hydraulic
9	98-5975	2	Washer-Belleville
10	3230-9	4	Screw-CARR
11	32144-4	2	Screw-HWH
12	104-7201	2	Nut-HF
13	3256-22	2	Washer-Flat
14	321-4	2	Screw-HH
15	1-800286	2	Screw-Hhc
16	1-806003	2	Pin-Hair
17	323-11	2	Screw-HH
18	109-3459	1	Hose-HYD
19	103-9350-03	1	Plate-Mount, Tank
20	109-3322	4	Clamp-Hose
21	112-3794	2	Wheel And Tire ASM
21:2	112-3797	1	Tire
21:3	232-27	1	Stem-Valve

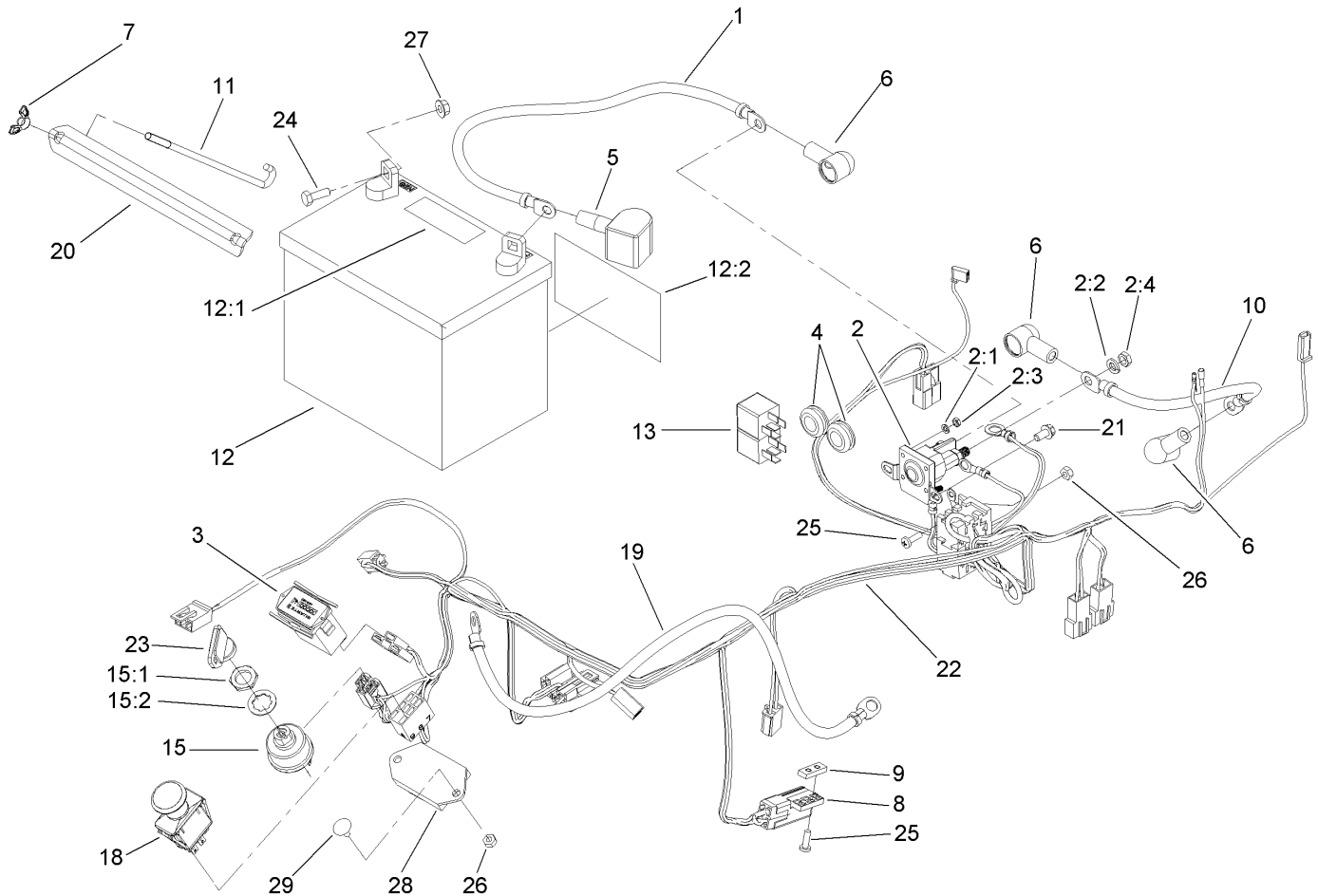
Ref	Part No.	Qty.	Description
●21:99	107-2491	1	Tube-Tire
23	109-3319	1	Hose-HYD
24	109-2631	2	Spring-Return, Neutral
25	114-0469	2	Guard-Transmission
26	323-8	2	Screw-HH
27	3290-357	2	Nut-HHF, Whiz





## RH Transmission Assembly No. 109-5846

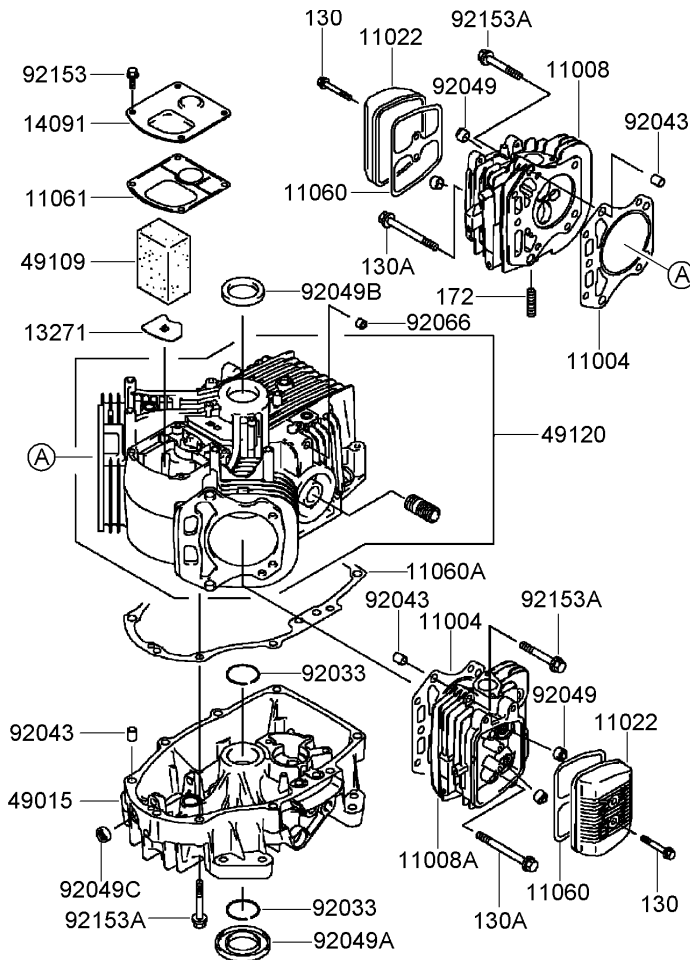
Ref	Part No.	Qty.	Description
1	109-3321	1	Element-Oil Filter, HYD
①2	109-3537	1	Complete Seal Kit
3	109-3538	1	Hub-Kit
4	109-3536	1	Nut-Hub
5	109-3540	1	O-Ring-Seal, Charge Cover
6	109-3541	1	Fan And Pulley Kit
7	109-3542	1	Fan
9	109-3278	1	Adapter-Straight
9:1	1-603921	1	O-Ring



## Electrical Assembly

Ref	Part No.	Qty.	Description
1	1-513053	1	Cable-Battery, Positive
2	1-513075	1	Switch-Solenoid
2:1	3253-17	2	Washer-Lock
2:2	3253-4	2	Washer-Lock
2:3	3219-14	2	Nut-Hex
2:4	3220-2	2	Nut-Jam
3	1-513374	1	Meter-Hour
4	1-543296	2	Grommet
5	1-543391	1	Insulator-Battery
6	1-543393	3	Insulator-Solenoid
7	1-543792	2	Wingnut
8	1-633111	1	Switch
9	1-633181	1	Plate-Tapped
10	1-633306	1	Cable-Starter, Positive
11	1-633651	2	Bolt-Holddown
12	105-1692	1	Battery
12:1	104-4163	1	Decal-Battery
12:2	104-4164	1	Decal-Battery
13	1-643275	2	Relay
15	104-2541	1	Switch-Key
15:1	218-461	1	Nut-HH
15:2	3254-5	1	Washer-Tooth
18	103-5221	1	Switch-PTO
19	103-8355	1	Cable-Battery, Negative

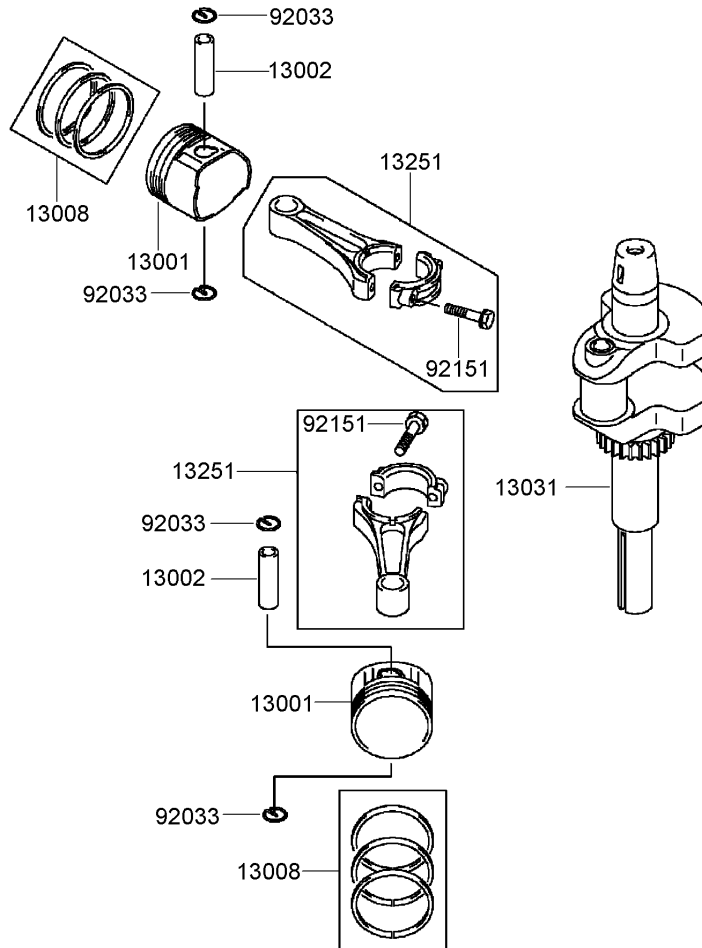
Ref	Part No.	Qty.	Description
20	103-9944-03	1	Angle-Battery
21	32144-4	2	Screw-HWH
22	109-4112	1	Harness-Wire
23	63-8360	1	Key-Ignition
24	321-4	2	Screw-HH
25	3290-500	6	Screw-PPH
26	3296-2	5	Nut-Lock
27	32128-33	2	Nut-HF
28	100-6186	1	Module-Delay, Seat
29	1-807513	1	Bolt-CARR



## Cylinder and Crankcase Assembly Kawasaki FH580V-AS40-R

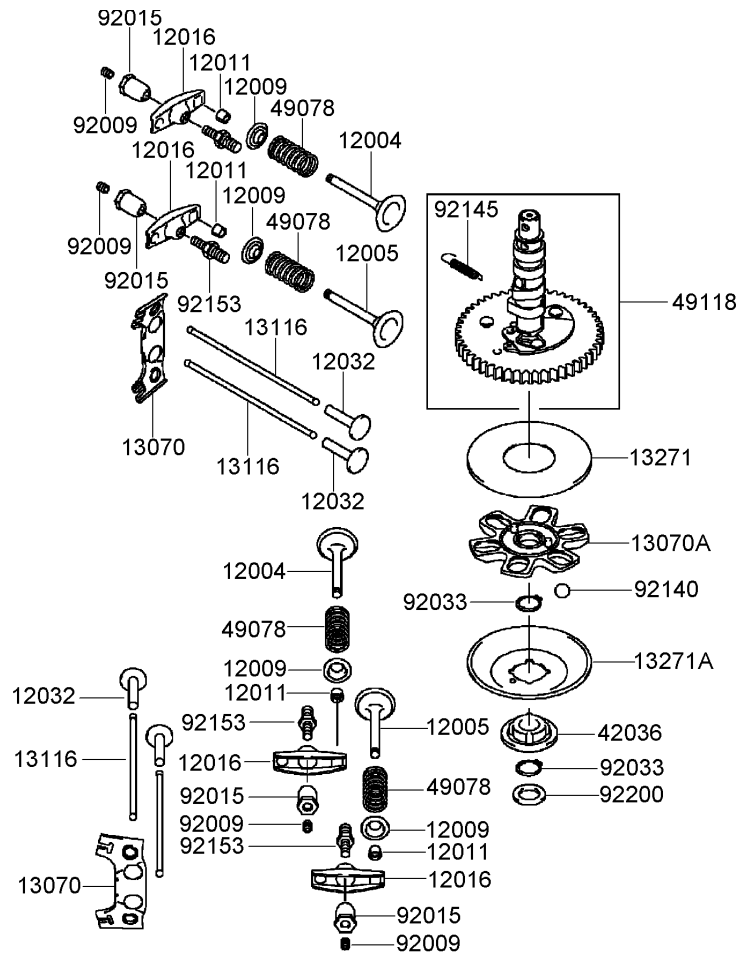
Ref	Part No.	Qty.	Description
● 11004	11004-7016	2	Gasket-Head
● 11008	11008-6043	1	Head-Cylinder, No. 1
● 11008A	11008-7020	1	Head-Cylinder, No. 2
● 11022	11022-7003	2	Case-Rocker
● 11060	11060-7001	2	Gasket-Case, Rocker
● 11060A	11060-7008	1	Gasket-Cover, Crankcase
● 11061	11061-7001	1	Gasket-Breather
● 13271	13271-7016	1	Plate
● 14091	14091-7006	1	Cover
● 49015	49015-6253	1	Cover-Crankcase
● 49109	49109-7002	1	Element-Breather
● 49120	49120-7023	1	Crankcase
● 92033	92033-7003	2	Ring-Snap
● 92043	92043-7001	6	Pin
● 92049	92049-7001	4	Seal-Oil, R V C2 (6X11X10.2)
● 92049A	92049-7015	1	Seal-Oil, S D (35X62X8 L HSH)
● 92049B	92049-7016	1	Seal-Oil, S D (35X48X8 R HSH)
● 92049C	92049-7019	1	Seal-Oil, S O (8X14X5 HSH)
● 92066	92066-7002	1	Plug
● 92153	92153-7043	4	Bolt (6X12)
● 92153A	92153-7054	17	Bolt (8X50)
● 130	130B0640	4	Bolt-Flanged (6X40)
● 130A	130CA0875	2	Bolt-Flanged (8X75)
● 172	172G0818	4	Bolt-Stud (8X18)

--	--	--	--	--



## Piston and Crankshaft Assembly Kawasaki FH580V-AS40-R

Ref	Part No.	Qty.	Description				
③13001	13001-7010	2	Piston-Engine				
③13002	13002-7001	2	Pin-Piston				
③13008	13008-6060	2	Ring Set-Piston				
③13031	13031-7036	1	Crankshaft				
③13251	13251-7010	2	Connecting Rod ASM				
③92033	92033-7002	4	Ring-Snap				
③92151	92151-7017	4	Bolt (6X35)				

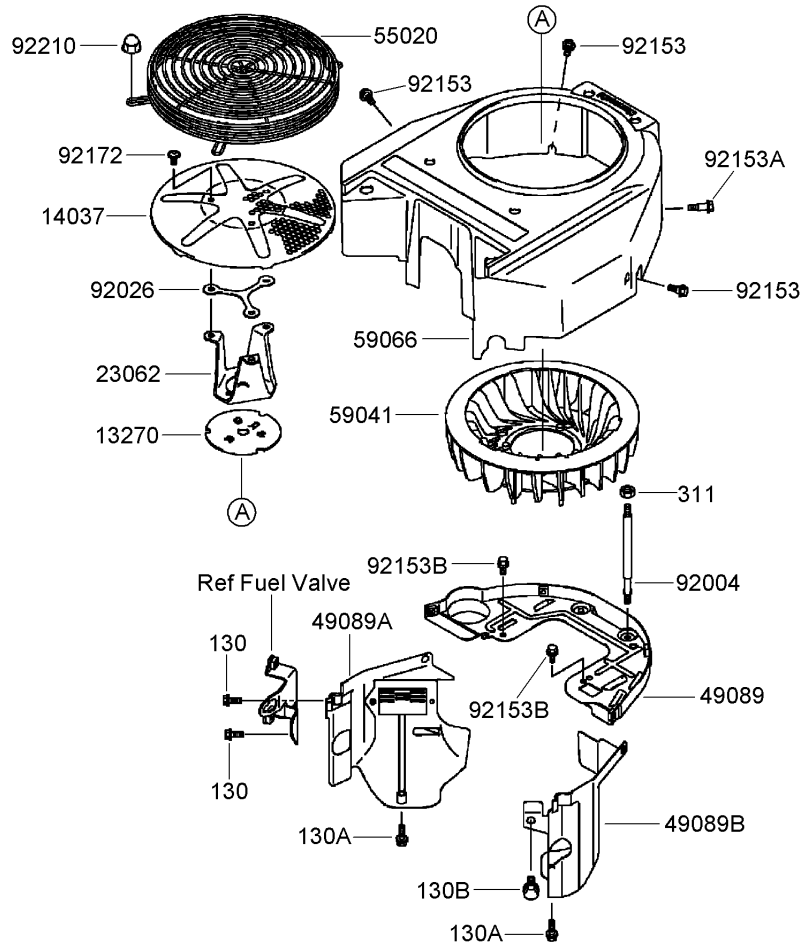


## Valve and Camshaft Assembly Kawasaki FH580V-AS40-R

Ref	Part No.	Qty.	Description
①	12004	2	Valve-Intake
①	12005	2	Valve-Exhaust
④	12009	4	Retainer-Spring, Valve
⑧	12011	8	Collet
④	12016	4	Arm-Rocker
④	12032	4	Tappet
②	13070	2	Guide
①	13070A	1	Guide
④	13116	4	Rod-Push
①	13271	1	Plate
①	13271A	1	Plate-Governor
①	42036	1	Sleeve
④	49078	4	Spring-Valve, Engine
①	49118	1	Camshaft
④	92009	4	Screw
④	92015	4	Nut
②	92033	2	Ring-Snap
⑥	92140	6	Ball
①	92145	1	Spring
④	92153	4	Bolt
①	92200	1	Washer

--	--	--	--



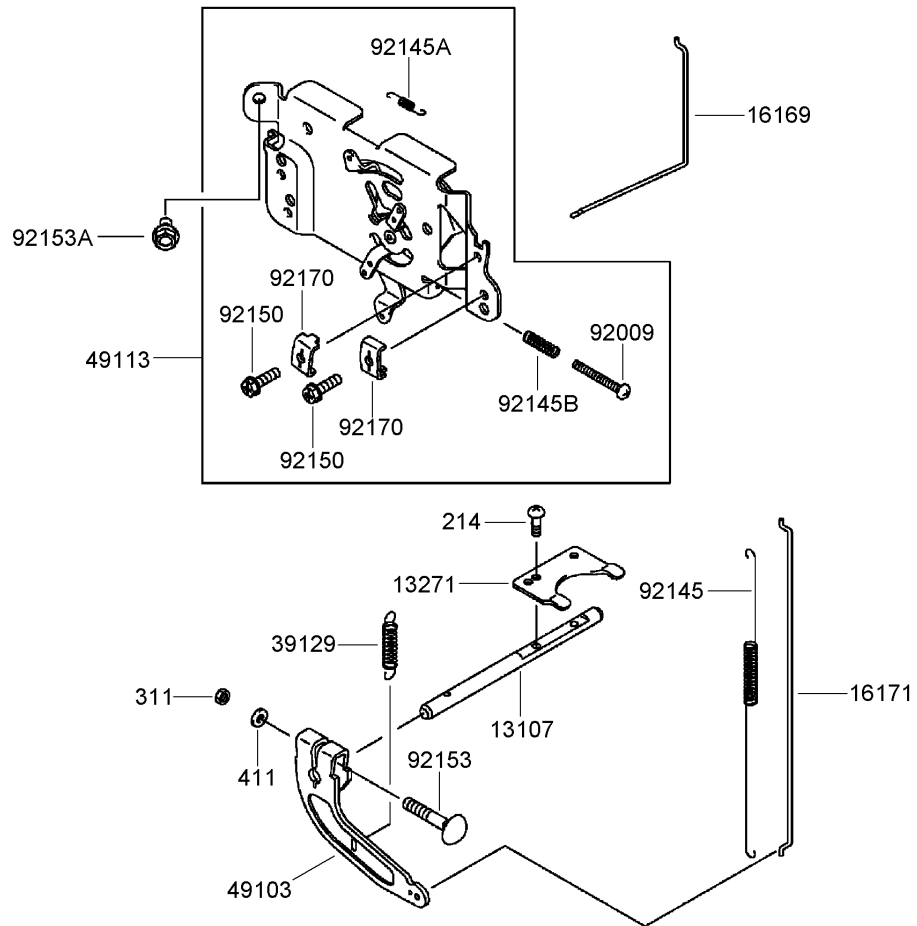


## Cooling Equipment Assembly Kawasaki FH580V-AS40-R

Ref	Part No.	Qty.	Description
● 13270	13270-7007	1	Plate
● 14037	14037-7020-9H	1	Screen
● 23062	23062-7010	1	Bracket
● 49089	49089-7032	1	Shroud-Engine
● 49089A	49089-7042	1	Shroud-Engine
● 49089B	49089-7043	1	Shroud-Engine
● 55020	55020-7004	1	Guard
● 59041	59041-7012	1	Fan
● 59066	59066-7037	1	Housing-Fan
● 92004	92004-7006	2	Stud
● 92026	92026-7007	1	Spacer
● 92153	92153-7007	3	Bolt
● 92153A	92153-7008	1	Bolt
● 92153B	92153-7043	2	Bolt (6X12)
● 92172	92172-7029	3	Screw-Socket (6X12)
● 92210	92210-0003	4	Nut
● 130	130B0616	2	Bolt-Flanged (6X16)
● 130A	130B0625	2	Bolt-Flanged (6X25)
● 130B	130B0816	1	Bolt-Flanged (8X16)
● 311	311B0600	2	Nut-Hex (6Mm)

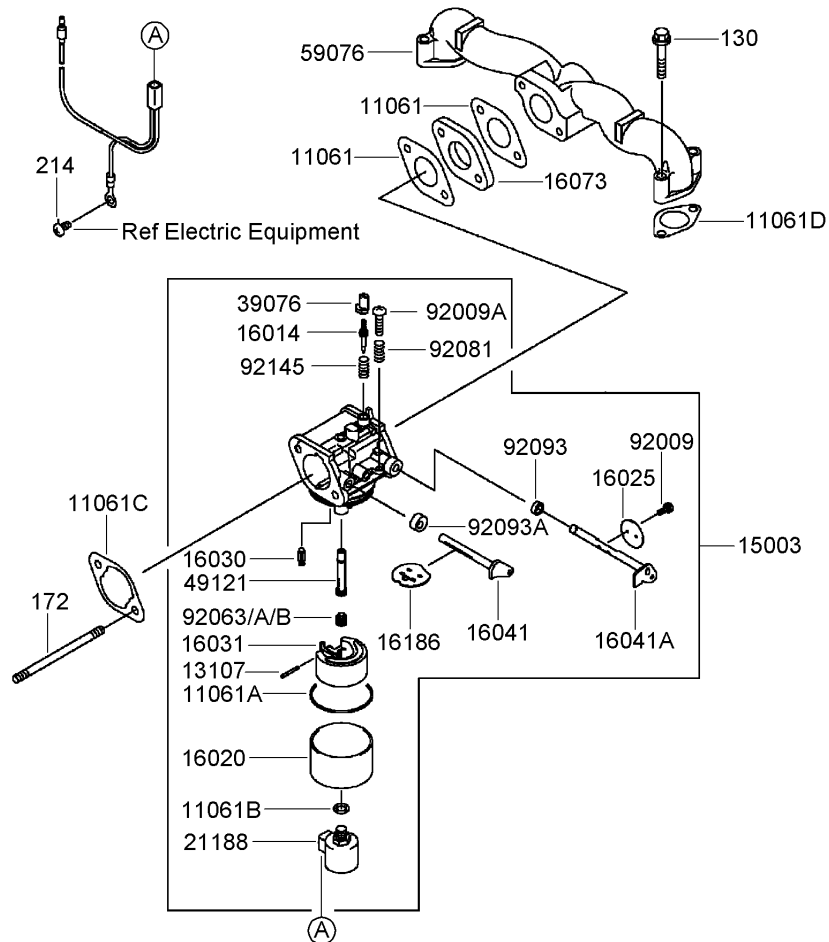
--	--	--	--





## Control Equipment Assembly Kawasaki FH580V-AS40-R

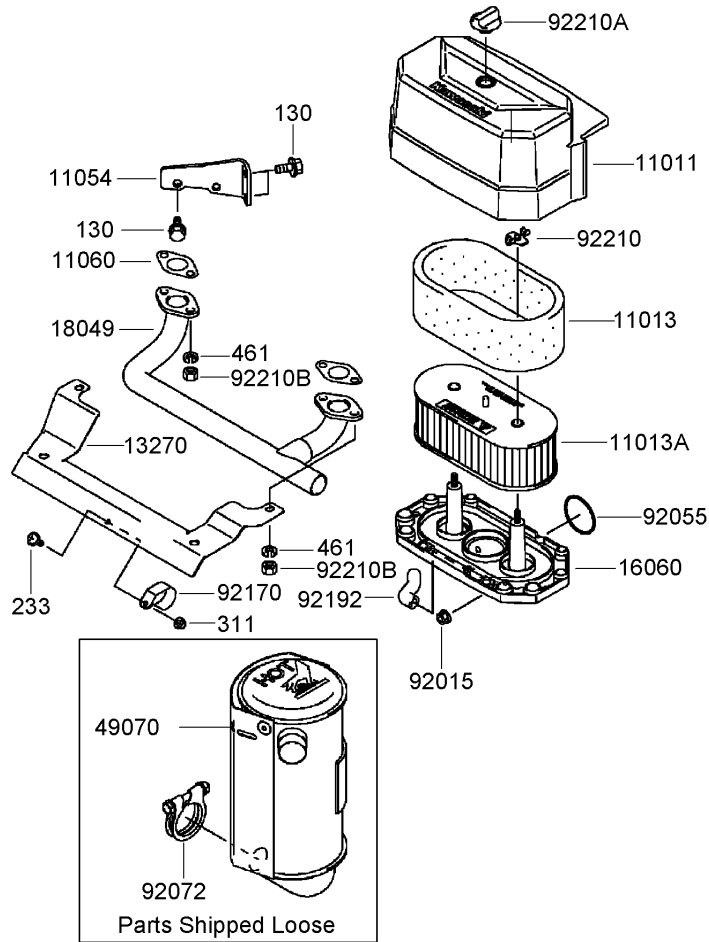
Ref	Part No.	Qty.	Description
③13107	13107-7010	1	Shaft
③13271	13271-7032	1	Plate
③16169	16169-7010	1	Link-Choke
③16171	16171-7001	1	Link
③39129	39129-7003	1	Spring-Governor
③49103	49103-7004	1	Arm-Governor
③49113	49113-7011	1	Panel-Control
③92009	92009-7007	1	Screw (4X35)
③92145	92145-7003	1	Spring
③92145A	92145-7004	1	Spring
③92145B	92145-7005	1	Spring
③92150	92150-2182	2	Bolt (5X18)
③92153	92153-7033	1	Bolt (6X35)
③92153A	92153-7043	2	Bolt (6X12)
③92170	92170-7001	2	Clamp
③214	214B0408	2	Screw-Pan (4X8)
③311	311B0600	1	Nut-Hex (6Mm)
③411	411B0600	1	Washer-Plain (6Mm)



## Carburetor Assembly Kawasaki FH580V-AS40-R

Ref	Part No.	Qty.	Description
①11061	11061-7004	2	Gasket-Insulator
①11061A	11061-7009	1	Gasket-Chamber
①11061B	11061-7010	1	Gasket-Screw
①11061C	11061-7018	1	Gasket-Cleaner, Air
①11061D	11061-7019	2	Gasket
①13107	13107-7018	1	Shaft
①15003	15003-7100	1	Carburetor ASM
①16014	16014-7007	1	Screw-Air, Pilot
①16020	16020-7003	1	Chamber-Float
①16025	16025-7006	1	Valve-Throttle
①16030	16030-7003	1	Valve-Float
①16031	16031-7002	1	Float
①16041	16041-7016	1	Shaft-Choke, Carburetor
①16041A	16041-7018	1	Shaft-Throttle, Carburetor
①16073	16073-7007	1	Insulator
①16186	16186-7004	1	Choke Valve ASM
①21188	21188-7002	1	Solenoid
①39076	39076-7001	1	Limiter
①49121	49121-7004	1	Nozzle-Main
①59076	59076-7001	1	Manifold-Intake
①92009	92009-2083	2	Screw
①92009A	92009-2349	1	Screw
①92063	92063-7037	1	Jet-Main (No. 105)
①92063A	92063-7046	1	Jet-Main (No. 100)

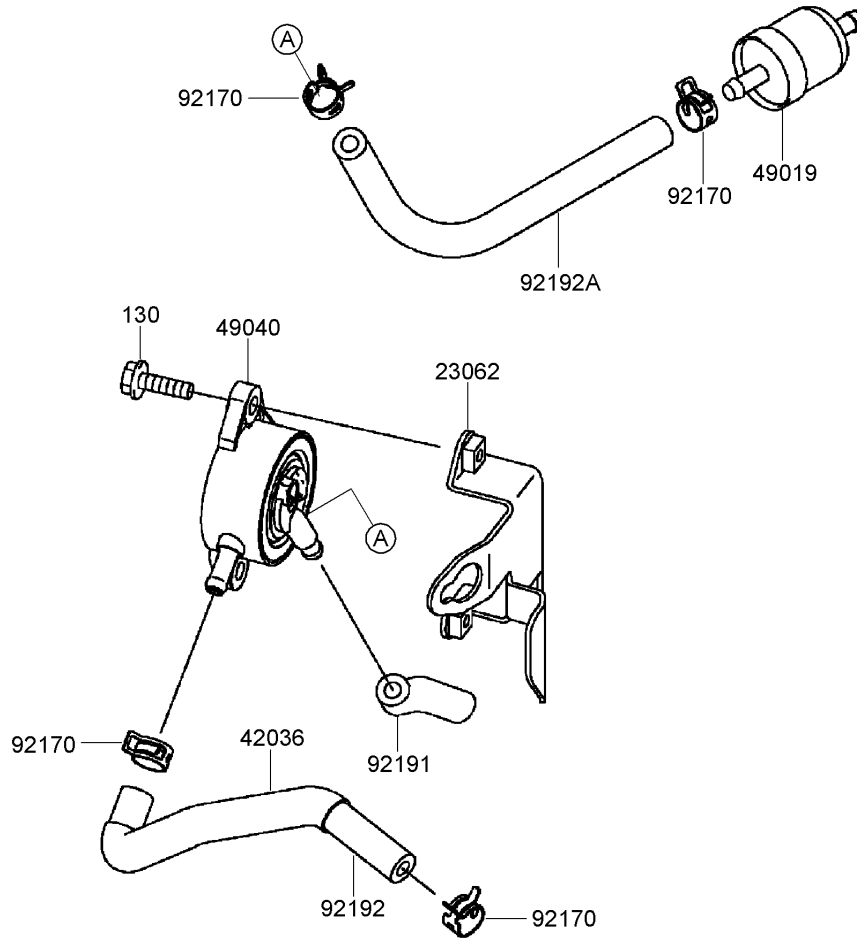
Ref	Part No.	Qty.	Description
①92063B	92063-7062	1	Jet-Main No. 110
①92081	92081-2234	1	Spring
①92093	92093-2100	1	Seal
①92093A	92093-7003	1	Seal
①92145	92145-7015	1	Spring
①130	130B0635	4	Bolt-Flanged (6X35)
①172	172G0690	2	Bolt-Stud (6X90)
①214	214B0510	1	Screw-Pan (5X10)



## Air Filter and Muffler Assembly Kawasaki FH580V-AS40-R

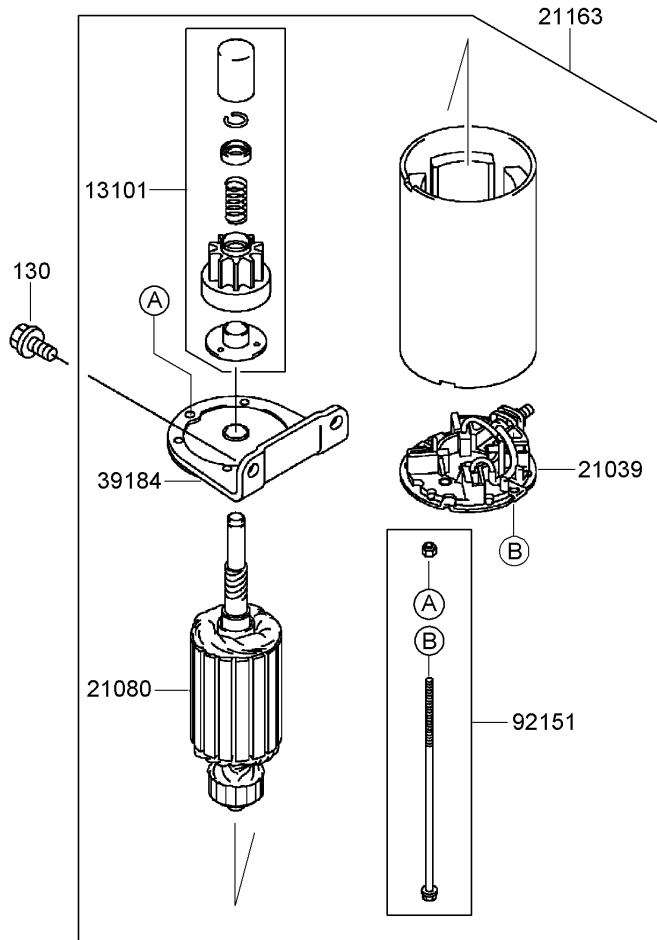
Ref	Part No.	Qty.	Description
③11011	11011-7046	1	Case-Air Filter
③11013	11013-7025	1	Element-Filter, Air
③11013A	11013-7031	1	Element-Filter, Air
③11054	11054-7002-9H	1	Bracket
③11060	11060-7021	2	Gasket-Muffler
③13270	13270-7008	1	Plate
③16060	16060-7016	1	Pipe-Intake
③18049	18049-7001	1	Pipe-Exhaust
③49070	49070-7021	1	Muffler
③92015	92015-1193	2	Nut
③92055	92055-7015	1	O-Ring
③92072	92072-7012	1	Band
③92170	92170-7002	1	Clamp
③92192	92192-7010	1	Tube
③92210	92210-7004	2	Nut
③92210A	92210-7019	1	Nut
③92210B	92210-7027	4	Nut (M8)
③130	130B0816	3	Bolt-Flanged (8X16)
③233	233B0416	1	Screw (4X16)
③311	311B0400	1	Nut-Hex (4Mm)
③461	461F0800	4	Washer-Spring (8Mm)

--	--	--	--



## Fuel Tank and Valve Assembly Kawasaki FH580V-AS40-R

Ref	Part No.	Qty.	Description
①23062	23062-7004-9H	1	Bracket
①42036	42036-7012	1	Sleeve
①49019	49019-7001	1	Filter-Fuel
①49040	49040-7001	1	Pump-Fuel
①92170	92170-2088	4	Clamp
①92191	92191-7002	1	Tube
①92192	92192-7035	1	Tube (6.35X12.7X170)
①92192A	92192-7037	1	Tube (6.35X12.7X160)
①130	130B0620	2	Bolt-Flanged (6X20)



## Starter Assembly Kawasaki FH580V-AS40-R

Ref	Part No.	Qty.	Description
● 13101	13101-7003	1	Gear ASM
● 21039	21039-7004	1	Brush
● 21080	21080-7001	1	Armature
● 21163	21163-7010	1	Starter-Electric
● 39184	39184-7004	1	Bracket ASM
● 92151	92151-7013	1	Bolt
● 130	130B0816	2	Bolt-Flanged (8X16)




## Attachments and Accessories

### For 74408 - Z334 Z Master, With 34in 7-Gauge Side Discharge Mower

Product Name	Model/Part
Blade-Rotary, 17.5 Inch Med Flow .....	108-4114-03
Blade-Rotary, 17.5 Inch Low Flow .....	108-4115-03
Blade-Rotary, 17.5 Inch Atomic .....	108-4117-03
Recycler Kit .....	110-9960

## Attachments and Accessories

### For 74408CP - Z334 Z Master, With 34in 7-Gauge Side Discharge Mower

Product Name	Model/Part
Blade-Rotary, 17.5 Inch Med Flow .....	108-4114-03
Blade-Rotary, 17.5 Inch Low Flow .....	108-4115-03
Blade-Rotary, 17.5 Inch Atomic .....	108-4117-03
Recycler Kit .....	110-9960

# NOTES

# NOTES

