



Count on it.

Operator's Manual

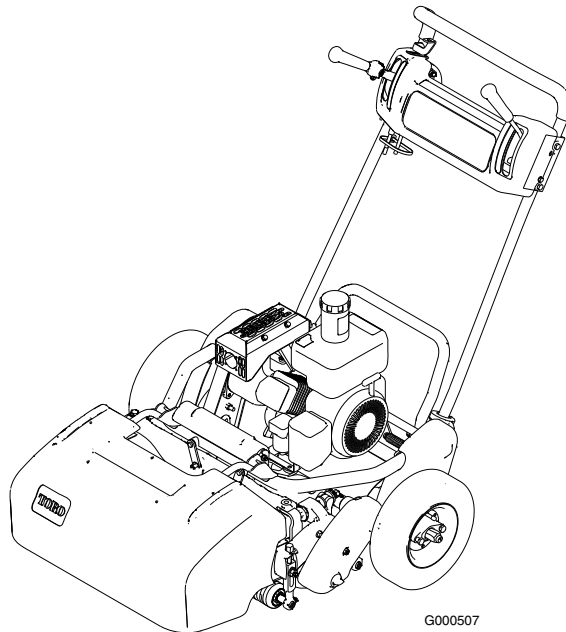
Greensmaster® Flex 18 or Flex 21 Walk-Behind Mower

**Model No. 04018 (Traction Unit)—Serial No. 260003001
and Up**

**Model No. 04206 (Cutting Unit)—Serial No. 260000001
and Up**

**Model No. 04022 (Traction Unit)—Serial No. 260003001
and Up**

**Model No. 04202 (Cutting Unit)—Serial No. 260000001
and Up**



G000507

Warning

CALIFORNIA Proposition 65 Warning

The engine exhaust from this product contains chemicals known to the State of California to cause cancer, birth defects, or other reproductive harm.

This spark ignition system complies with Canadian ICES-002.

Introduction

Read this information carefully to learn how to operate and maintain your product properly and to avoid injury and product damage. You are responsible for operating the product properly and safely.

You may contact Toro directly at www.Toro.com for product and accessory information, help finding a dealer, or to register your product.

Whenever you need service, genuine Toro parts, or additional information, contact an Authorized Service Dealer or Toro Customer Service and have the model and serial numbers of your product ready. Figure 1 and Figure 2 identify the location of the model and serial numbers on the product. Write the numbers in the space provided.

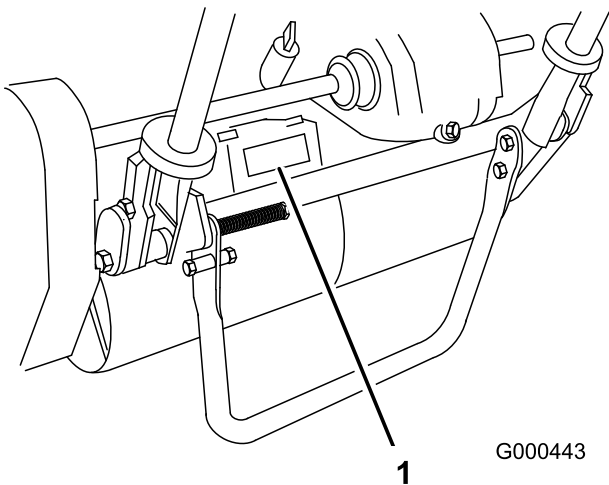


Figure 1

1. Location of the model and serial numbers-Traction unit

Traction unit:

Model No. _____

Serial No. _____

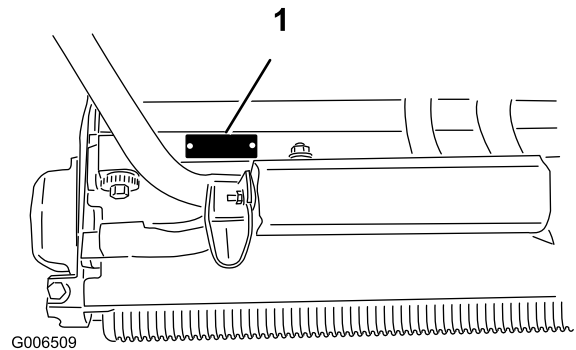


Figure 2

1. Location of the model and serial numbers-Cutting Unit

Cutting unit:

Model No. _____

Serial No. _____

This manual identifies potential hazards and has safety messages identified by the safety alert symbol (Figure 3), which signals a hazard that may cause serious injury or death if you do not follow the recommended precautions.



Figure 3

1. Safety alert symbol.

This manual uses two other words to highlight information. **Important** calls attention to special mechanical information and **Note** emphasizes general information worthy of special attention.

Contents

Introduction.....	2	Adjusting the Traction Control	30
Safety	4	Adjusting the Reel Control.....	30
Safe Operating Practices	4	Cutting Unit Maintenance.....	31
Toro Mower Safety	5	Separating the Cutting Unit from the Traction Unit.....	31
Sound Pressure for a Flex 18.....	6	Adjusting the Rear Roller	31
Sound Power for a Flex 18	6	Adjusting the Bedknife to the Reel	32
Vibration for a Flex 18.....	6	Adjusting the Height of Cut.....	33
Sound Pressure for a Flex 21	7	Adjusting the Cut-Off Bar	34
Sound Power for a Flex 21	7	Setting the Machine to Match Turf Conditions	35
Vibration for a Flex 21	7	Servicing the Bedbar.....	36
Safety and Instructional Decals	7	Backlapping the Reel	37
Setup.....	10	Storage.....	38
1 Installing the Handle.....	11		
2 Installing the Kickstand for Flex 18 Mowers Only.....	11		
3 Adjusting the Handle	12		
4 Installing the Transport Wheels.....	12		
5 Checking Fluid Levels	13		
6 Installing the Grass Basket	13		
Product Overview	14		
Controls	14		
Specifications	15		
Attachments/Accessories.....	16		
Operation.....	16		
Think Safety First.....	16		
Checking the Engine Oil Level.....	16		
Filling the Fuel Tank.....	16		
Checking the Interlock Switch Operation	17		
Starting and Stopping the Engine	17		
Transport Operation	18		
Preparing to Mow.....	18		
Mowing Operation	18		
Maintenance.....	20		
Recommended Maintenance Schedule(s)	20		
Daily Maintenance Checklist.....	21		
Engine Maintenance.....	22		
Engine Oil.....	22		
Servicing the Air Cleaner	22		
Replacing the Spark Plug	23		
Fuel System Maintenance	24		
Cleaning the Fuel Filter.....	24		
Electrical System Maintenance.....	24		
Servicing the Interlock Switch	24		
Drive System Maintenance	25		
Checking the Transmission Fluid Level	25		
Changing the Transmission Fluid	26		
Brake Maintenance	26		
Adjusting the Service/Parking Brake.....	26		
Belt Maintenance.....	27		
Adjusting the Belts	27		
Controls System Maintenance.....	30		

Safety

This machine meets or exceeds CEN standard EN 836:1997, ISO standard 5395:1990, and ANSI B71.4-2004 specifications in effect at the time of production when the Operator Presence Kit, Part No. 105-5333 is installed.

Improper use or maintenance by the operator or owner can result in injury. To reduce the potential for injury, comply with these safety instructions and always pay attention to the safety alert **▲** symbol, which means CAUTION, WARNING, or DANGER-“personal safety instruction.” Failure to comply with the instruction may result in personal injury or death.

Safe Operating Practices

The following instructions are from the CEN standard EN 836:1997, ISO standard 5395:1990, and ANSI B71.4-2004.

Training

- Read the Operator’s Manual and other training material carefully. Be familiar with the controls, safety signs, and the proper use of the equipment.
- Never allow children or people unfamiliar with these instructions to use or service the mower. Local regulations may restrict the age of the operator.
- Never mow while people, especially children, or pets are nearby.
- Keep in mind that the operator or user is responsible for accidents or hazards occurring to other people or their property.
- The owner/user can prevent and is responsible for accidents or injuries occurring to himself or herself, other people, or property.

Preparation

- While mowing, always wear substantial footwear, long trousers, hard hat, safety glasses, and ear protection. Long hair, loose clothing, or jewelry may get tangled in moving parts. Do not operate the equipment when barefoot or wearing open sandals.
- Thoroughly inspect the area where the equipment is to be used and remove all objects which may be thrown by the machine.
- Warning-Fuel is highly flammable. Take the following precautions:
 - Store fuel in containers specifically designed for this purpose.

- Refuel outdoors only and do not smoke while refuelling.
- Add fuel before starting the engine. Never remove the cap of the fuel tank or add fuel while the engine is running or when the engine is hot.
- If fuel is spilled, do not attempt to start the engine but move the machine away from the area of spillage and avoid creating any source of ignition until fuel vapors have dissipated.
- Replace all fuel tanks and container caps securely.
- Replace faulty silencers.
- Evaluate the terrain to determine what accessories and attachments are needed to properly and safely perform the job. Only use accessories and attachments approved by the manufacturer.
- Check that operator’s presence controls, safety switches and shields are attached and functioning properly. Do not operate unless they are functioning properly.

Operation

- Do not operate the engine in a confined space where dangerous carbon monoxide fumes can collect.
- Mow only in daylight or in good artificial light.
- Before attempting to start the engine, disengage all blade attachment clutches, shift into neutral, and engage the parking brake.
- Do not use on slopes of more than 15°.
- Remember there is no such thing as a safe slope. Travel on grass slopes requires particular care. To guard against overturning:
 - do not stop or start suddenly when going up or downhill;
 - engage clutch slowly, always keep machine in gear, especially when travelling downhill;
 - machine speeds should be kept low on slopes and during tight turns;
 - stay alert for humps and hollows and other hidden hazards;
 - never mow across the face of the slope, unless the mower is designed for this purpose.
- Stay alert for holes in the terrain and other hidden hazards.
- Watch out for traffic when crossing or near roadways.
- Stop the blades rotating before crossing surfaces other than grass.

- When using any attachments, never direct discharge of material toward bystanders nor allow anyone near the machine while in operation.
- Never operate the machine with damaged guards, shields, or without safety protective devices in place. Be sure all interlocks are attached, adjusted properly, and functioning properly.
- Do not change the engine governor settings or overspeed the engine. Operating the engine at excessive speed may increase the hazard of personal injury.
- Before leaving the operator's position:
 - stop on level ground;
 - disengage the power take-off and lower the attachments;
 - change into neutral and set the parking brake;
 - stop the engine.
- Disengage drive to attachments when transporting or not in use.
- Stop the engine and disengage drive to attachment
 - before refuelling;
 - before removing the grass catcher/catchers;
 - before making height adjustment unless adjustment can be made from the operator's position.
 - before clearing blockages;
 - before checking, cleaning or working on the mower;
 - after striking a foreign object or if an abnormal vibration occurs. Inspect the mower for damage and make repairs before restarting and operating the equipment.
- Reduce the throttle setting before stopping engine and, if the engine is provided with a fuel shut-off valve, turn the valve off at the conclusion of mowing.
- Keep hands and feet away from the cutting unit.
- Slow down and use caution when making turns and crossing roads and sidewalks. Stop reels if not mowing.
- Do not operate the mower under the influence of alcohol or drugs
- Use care when loading or unloading the machine into a trailer or truck
- Use care when approaching blind corners, shrubs, trees, or other objects that may obscure vision.
- Never store the equipment with fuel in the tank inside a building where fumes may reach an open flame or spark.
- Allow the engine to cool before storing in any enclosure.
- To reduce the fire hazard, keep the engine, silencer, battery compartment and fuel storage area free of grass, leaves, or excessive grease.
- Check the grass catcher frequently for wear or deterioration.
- Keep all parts in good working condition and all hardware and hydraulic fittings tightened. Replace all worn or damaged parts and decals.
- If the fuel tank has to be drained, do this outdoors.
- Be careful during adjustment of the machine to prevent entrapment of the fingers between moving blades and fixed parts of the machine.
- Disengage drives, disengage the cutting unit, set parking brake, stop engine and disconnect spark plug wire. Wait for all movement to stop before adjusting, cleaning or repairing.
- Clean grass and debris from cutting unit, drives, mufflers, and engine to help prevent fires. Clean up oil or fuel spillage.
- Carefully release pressure from components with stored energy.
- Disconnect battery and remove spark plug wire before making any repairs. Disconnect the negative terminal first and the positive last. Reconnect positive first and negative last.
- Use care when checking the reel. Wear gloves and use caution when servicing them.
- Keep hands and feet away from moving parts. If possible, do not make adjustments with the engine running.

Toro Mower Safety

The following list contains safety information specific to Toro products or other safety information that you must know that is not included in the CEN, ISO, or ANSI standard.

This product is capable of amputating hands and feet and throwing objects. Always follow all safety instructions to avoid serious injury or death.

Use of this product for purposes other than its intended use could prove dangerous to user and bystanders.

- Know how to stop the engine quickly.
- Do not operate the machine while wearing tennis shoes or sneakers.

Maintenance and Storage

- Keep all nuts, bolts and screws tight to be sure the equipment is in safe working condition.

- Wearing safety shoes and long pants is advisable and required by some local ordinances and insurance regulations.
- Handle gasoline carefully. Wipe up any spills.
- Check the safety interlock switches daily for proper operation. If a switch should fail, replace the switch before operating the machine. After every two years, replace all interlock switches in the safety system, regardless if they are working properly or not.
- Always stand behind the handle when starting and operating the machine.
- To start and stop the engine:
 - Open fuel shut-off valve.
 - Verify that the traction and reel drive control levers on handle are in Neutral position.
 - Move on/off switch to ON position, set choke to full choke position (cold start) and throttle to half throttle.
 - Pull starter cord to start engine.
 - Move throttle to Slow and on/off switch to Off position to stop engine.
- To transport mower from one area to another:
 - Install transport wheels.
 - Disengage reel drive.
 - Start engine.
 - Press down on handle to raise front of mower and engage traction drive.
- Before beginning mowing operation:
 - Disengage traction drive.
 - Stop engine.
 - Remove transport wheels.
 - Start engine
 - Engage reel drive.
- Using the machine demands attention. To prevent loss of control:
 - Do not drive close to sand traps, ditches, creeks, or other hazards.
 - Reduce speed when making sharp turns. Avoid sudden stops and starts.
 - When near or crossing roads, always yield the right-of-way.
 - Apply the service brakes when going downhill to keep forward speed slow and to maintain control of the machine.
- The grass basket must be in place during operation of the reels or thatchers for maximum safety. Shut the engine off before emptying the baskets.
- Do not touch the engine, muffler, or exhaust pipe while the engine is running or soon after it has stopped because these areas could be hot enough to cause burns.
- Stay clear of the rotating screen at the side of the engine to prevent direct contact with your body or clothing.
- When a person or pet appears unexpectedly in or near the mowing area, stop mowing. Careless operation, combined with terrain angles, ricochets, or improperly positioned guards can lead to thrown object injuries. Do not resume mowing until the area is cleared.

Maintenance and Storage

- Check all fuel lines for tightness and wear on a regular basis. Tighten or repair them as needed.
- If the engine must be running to perform a maintenance adjustment, keep hands, feet, clothing, and any parts of the body away from the cutting unit, attachments, and any moving parts, especially the screen at the side of the engine. Keep everyone away.
- To ensure safety and accuracy, have an Authorized Toro Distributor check the maximum engine speed with a tachometer. Maximum governed engine speed should be 3600 RPM.
- If major repairs are ever needed or if assistance is desired, contact an Authorized Toro Distributor.
- Use only Toro-approved attachments and replacement parts. The warranty may be voided if used with unapproved attachments.

Sound Pressure for a Flex 18

This unit has a maximum sound pressure level at the operator's ear of 85 dBA, based on measurements of identical machines per EN 11094 and EN 836.

Sound Power for a Flex 18

This unit has a guaranteed sound power level of 96 dBA, based on measurements of identical machines per EN 11094.

Vibration for a Flex 18

This unit does not exceed a hand/arm vibration level of 2.50 m/s², based on measurements of identical machines per EN 1033.

Sound Pressure for a Flex 21

This unit has a maximum sound pressure level at the operator's ear of 85 dBA, based on measurements of identical machines per EN 11094 and EN 836.

Sound Power for a Flex 21

This unit has a guaranteed sound power level of 98 dBA, based on measurements of identical machines per EN 11094.

Vibration for a Flex 21

This unit does not exceed a hand/arm vibration level of 2.50 m/s², based on measurements of identical machines per EN 1033.

Safety and Instructional Decals

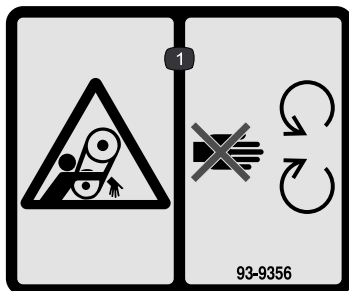


Safety decals and instructions are easily visible to the operator and are located near any area of potential danger. Replace any decal that is damaged or lost.



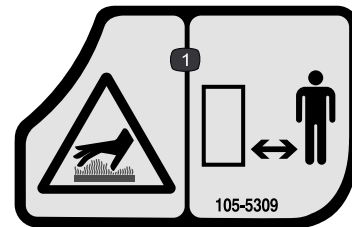
93-7348

1. Warning—read the *Operator's Manual*.
2. Fire hazard—no fire, open flames, or smoking; when adding fuel to the tank, leave space between the fuel and the top of the tank.
3. Thrown object hazard—keep bystanders a safe distance from the machine.
4. Cutting hazard of hand or foot—stay away from moving parts



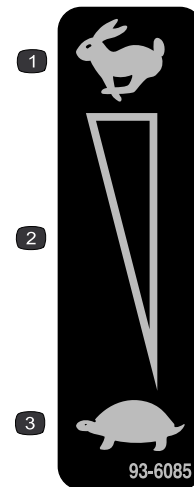
93-9356

1. Entanglement hazard—stay away from moving parts.



105-5309

1. Hot surface/burn hazard—keep a safe distance from the hot surface.



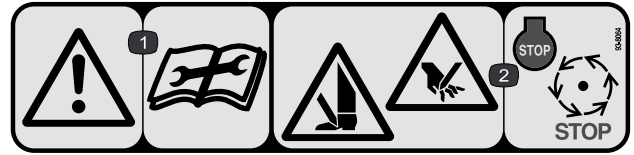
93-6085

1. Fast
2. Continuous variable setting
3. Slow



93-9886

1. Use unleaded gasoline.



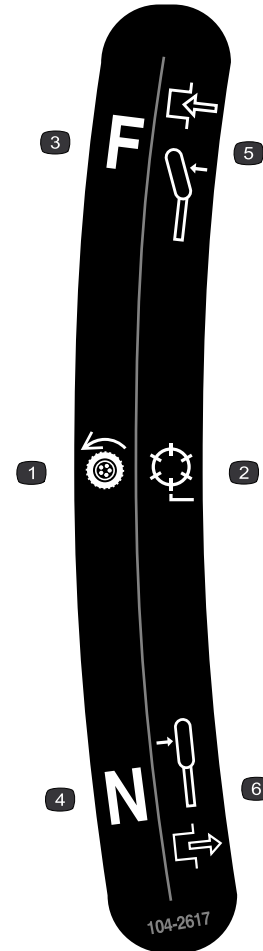
93-8064

1. Warning—read the instructions before servicing or performing maintenance.
2. Cutting hazard of hand or foot—stop the engine and wait for moving parts to stop.



104-2618

1. Parking brake
2. Disengage
3. Engage



104-2617

1. Traction drive
2. Reel drive
3. Neutral
4. Forward
5. Lever engaged
6. Lever disengaged



105-2411

1. Transmission oil

WARNING

1

ESTA MAQUINA PUEDE SER RIESGOSA SI SE USA EN UNA MANERA INAPROPIADA. OPERADORES DEBEN ESTAR MUY BIEN ENTRENADOS EN LA MANERA APROPRIADA DE OPERAR LA MAQUINA.

TO MINIMIZE THE RISK OF ACCIDENTS, INJURY OR DEATH:

- READ OPERATORS MANUAL
- KEEP ALL GUARDS AND COVERS IN PLACE.
- KEEP PEOPLE AND PETS A SAFE DISTANCE AWAY.
- OPERATOR MUST BE SKILLED AND TRAINED



104-2621

TO GET A REPLACEMENT MANUAL, SEND MODEL AND SERIAL NUMBERS TO: THE TORO COMPANY, 8111 LYNDALE AVE. S., BLOOMINGTON, MN 55420-1196.

104-2621

1. Read the *Operator's Manual*.
-

Setup

Loose Parts

Use the chart below to verify that all parts have been shipped.

Procedure	Description	Qty.	Use
1	Handle	1	Install the handle.
2	Kickstand assembly Spring Small spacer Large spacer Large bolt (M8–1.25 x 100) Small bolt (M8–1.25 x 030) Locknut (M8 x 1.25) Washer (M8)	1 1 1 1 1 1 2 2	Install the kickstand for Flex 18 Mowers Only.
3	No parts required	–	Adjust the handle.
4	Transport wheels (Optional Transport Wheel Kit, Model 04123)	2	Install the transport wheels.
5	No parts required	–	Check the engine oil and transmission fluid levels
6	Grass basket	1	Install the grass basket.

Media and Additional Parts

Description	Qty.	Use
Operator's Manual	1	Read or view before operating the machine
Engine Operator's Manual	1	
Parts Catalog	1	
Operator Training Material	1	
Certificate of Compliance	1	

Note: Determine the left and right sides of the machine from the normal operating position.

1

Installing the Handle

Parts needed for this procedure:

1	Handle
---	--------

Procedure

1. Remove the flange lock nut from the bolt and pivot pin on each side of the mower (Figure 4).

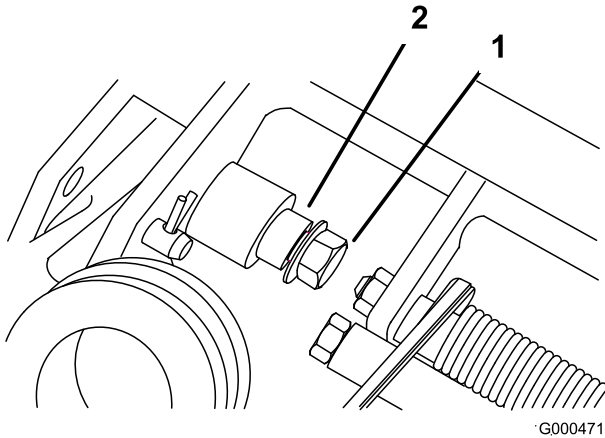


Figure 4

1. Flange lock nut
2. Pivot pin

2. Insert the handle ends through the slots in the handle support arms (Figure 5).

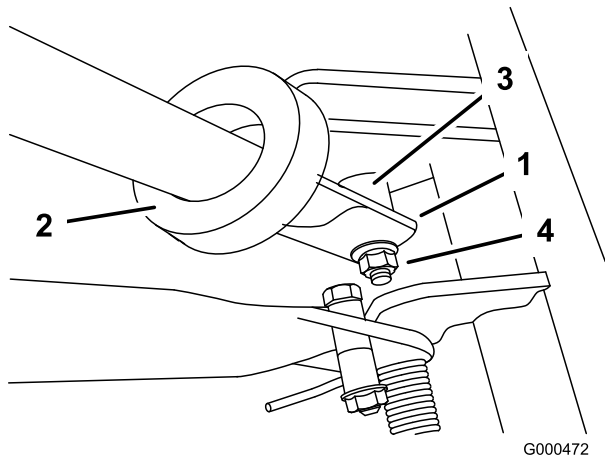


Figure 5

1. Left handle end
2. Support arm
3. Pivot pin
4. Locknut

3. Squeeze the handle ends inward and install them on the step of the pivot pin (Figure 5).

4. Secure the handle to the bolt and pivot pin with the flange lock nut (Figure 5).
5. Locate cable tie loosely securing throttle cable to wire harness. Position cable tie approximately one inch behind transmission and tighten cable tie.

2

Installing the Kickstand for Flex 18 Mowers Only

Parts needed for this procedure:

1	Kickstand assembly
1	Spring
1	Small spacer
1	Large spacer
1	Large bolt (M8-1.25 x 100)
1	Small bolt (M8-1.25 x 030)
2	Locknut (M8 x 1.25)
2	Washer (M8)

Procedure

1. Position the kickstand between the tabs on the rear of the frame.
 2. Install a washer (M8) onto the small bolt (M8-1.25 x 030). Install the right side of the kickstand to the frame with the bolt and washer, the small spacer, and locknut (M8-1.25) (Figure 6). Ensure the bolt is installed from the inside of the frame as shown in Figure 6.
 3. Install a washer (M8) onto the large bolt (M8-1.25 x 100).
 4. Install the spacer into the spring and install the large bolt (M8-1.25 x 100) into the spacer.
- Important: When installing the spring, place one end of the spring under the rear frame (Figure 6).**
5. Install the left side of the kickstand to the frame with the bolt and washer, the large spacer and spring, and locknut (M8-1.25) (Figure 6). Ensure the bolt is installed from the inside of the frame as shown in Figure 6.

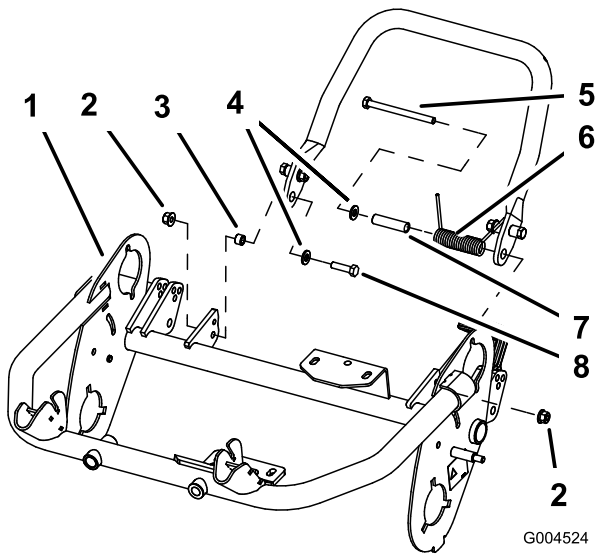


Figure 6

- | | |
|----------------------|-------------------------------|
| 1. Left handle end | 5. Large bolt (M8–1.25 x 100) |
| 2. Locknut (M8–1.25) | 6. Spring |
| 3. Small spacer | 7. Large spacer |
| 4. Washer (M8) | 8. Small bolt (M8–1.25 x 030) |

-
6. Place a nut runner over the end of the spring pointing towards the rear and move the end of the spring over and under the kickstand spacer (Figure 7).

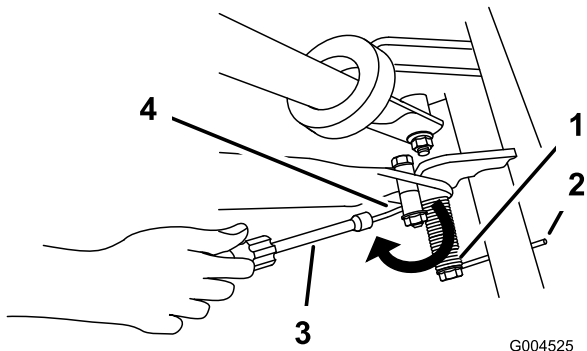


Figure 7

- | | |
|-------------------------------|--|
| 1. Spring | 3. Nut runner |
| 2. Spring end under the frame | 4. Move the spring end under the kickstand spacer. |

3

Adjusting the Handle

No Parts Required

Procedure

1. Remove hairpin cotters from ring pins on each side of mower (Figure 8).

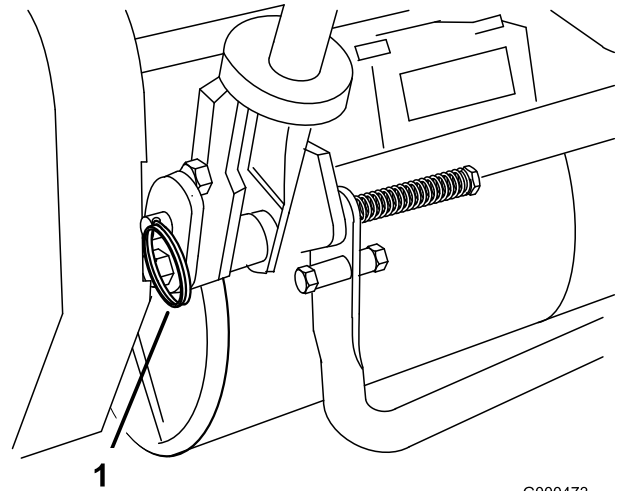


Figure 8

1. Ring pins

-
2. While supporting handle, remove ring pins from each side and raise or lower handle to desired operating position (Figure 8).
 3. Reinstall ring pins and hair pin cotters.

4

Installing the Transport Wheels

Parts needed for this procedure:

2	Transport wheels (Optional Transport Wheel Kit, Model 04123)
---	--

Procedure

1. Push kick stand down with foot and pull up on handle support until kick stand has rotated forward, over center (Figure 9).

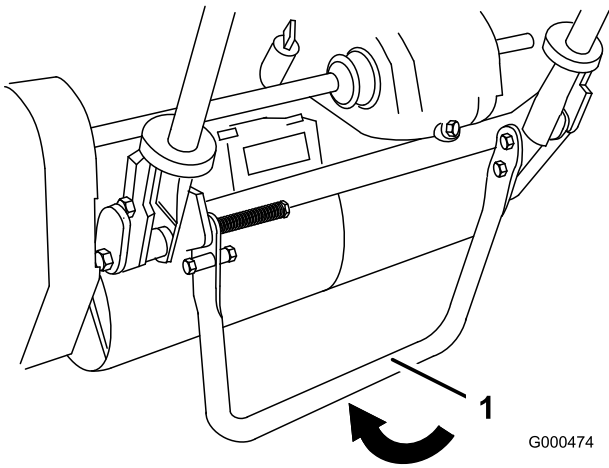


Figure 9

1. Kick stand

2. Press wheel locking clip toward the center of wheel and slide wheel onto hex shaft (Figure 10).

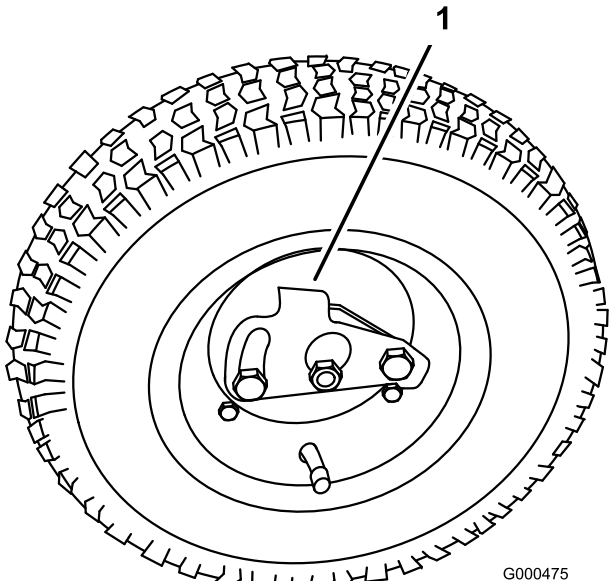


Figure 10

1. Locking clip

3. Rotate wheel back and forth until it slides completely onto axle and locking clip is secured in groove on axle shaft.
4. Repeat procedure on opposite side of machine.
5. Inflate the tires to 12-15 psi.
6. Carefully lift up on handle support to release kick stand.

5

Checking Fluid Levels

No Parts Required

Procedure

1. Check the engine oil level, refer to Checking the Engine Oil Level in Engine Maintenance , page 22.
2. Check the transmission fluid level, refer to Checking the Transmission Fluid Level in Drive System Maintenance , page 25.

6

Installing the Grass Basket

Parts needed for this procedure:

1	Grass basket
---	--------------

Procedure

Grasp basket by top lip and slide basket frame into the receivers (Figure 11).

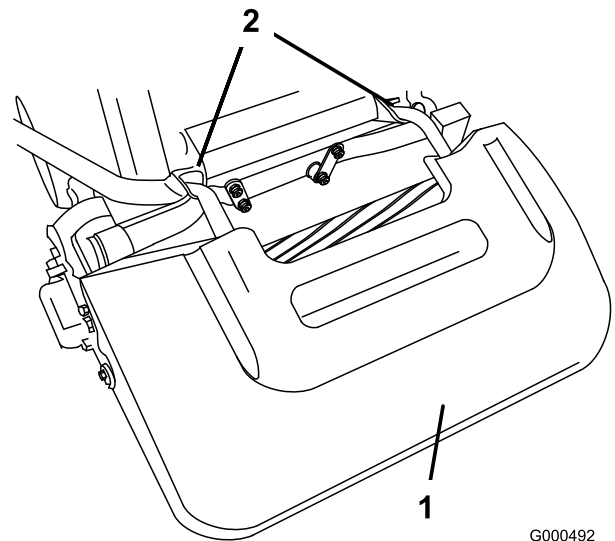


Figure 11

1. Grass basket
2. Basket receivers

Product Overview

throttle linkage to carburetor. Engine speed can be varied from 2400 RPM to 3600 RPM.

Traction and Reel Drive Engagement Lever

The traction and reel drive engagement lever (Figure 13) is located on front right side of control panel. Traction lever has two positions: Neutral and Forward. Pushing lever forward engages traction drive.

The reel drive lever has two positions: Engage and Disengage. Move top of lever to the left to engage reel or back to neutral to disengage reel.

Service/Parking Brake

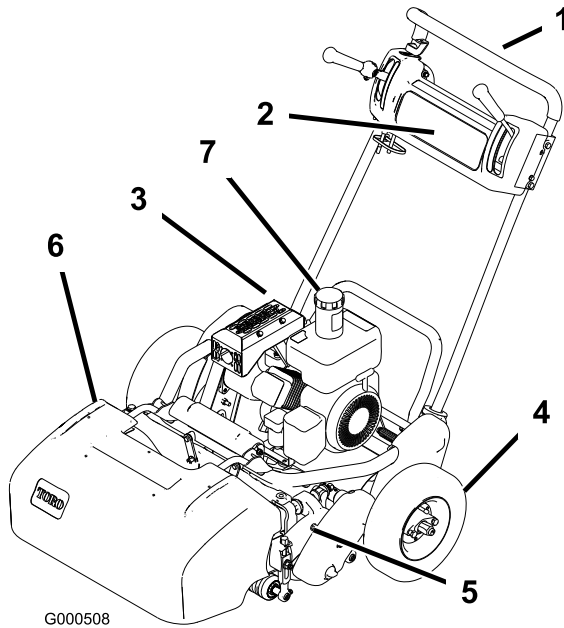
The service/parking brake (Figure 13) is located on left front side of control panel. Pulling the lever back over center will set the parking brake. Brake must be released before traction drive is engaged.

Operator Presence Control

The optional operator presence control must be engaged before engaging the traction lever or the engine will stop.

Choke Lever

The choke lever (Figure 14) is located on left front of engine. Lever has two positions: Run and Choke. Move the choke lever to the half-open position when starting a cold engine. After engine starts move lever to Run position.

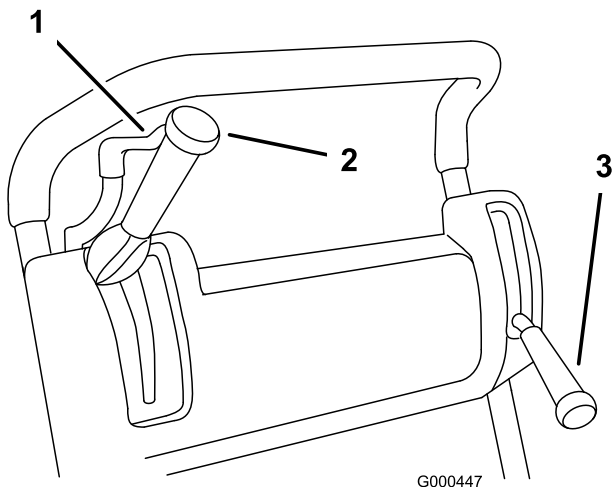


G000508

Figure 12

- | | |
|---------------------|-----------------|
| 1. Handle | 5. Cutting unit |
| 2. Control panel | 6. Grass basket |
| 3. Engine | 7. Fuel tank |
| 4. Transport wheels | |

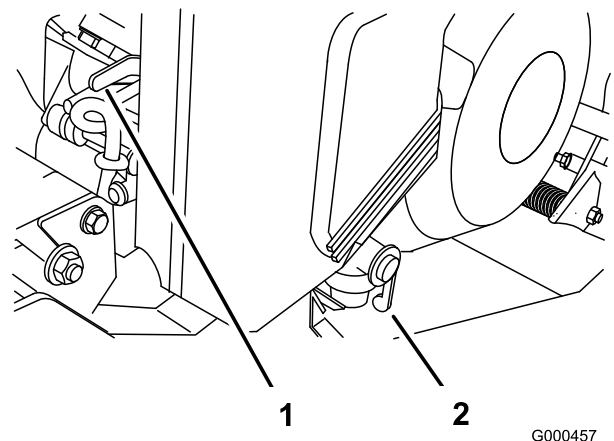
Controls



G000447

Figure 13

- | | |
|---|--------------------------|
| 1. Throttle control | 3. Service/parking brake |
| 2. Traction & reel drive engagement lever | |



G000457

Figure 14

- | | |
|----------------|------------------------|
| 1. Choke lever | 2. Fuel shut-off valve |
|----------------|------------------------|

Throttle Control

The throttle control (Figure 13) is located on rear right side of control panel. Lever connects to and operates

Fuel Shut-Off Valve

The fuel shut-off valve (Figure 14) is located on left front of engine. Valve has two positions: Closed and Open. Move lever to closed position when storing

or transporting machine. Open valve before starting engine.

Recoil Starter

Pull recoil starter handle (Figure 15) to start engine.

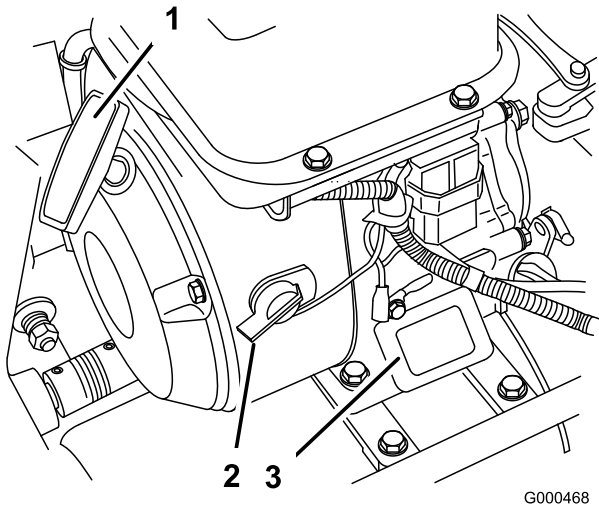


Figure 15

- 1. Recoil starter
- 2. On/off switch
- 3. Hour meter

On/Off Switch

The on/off switch (Figure 15) is located on rear of engine. Move switch to On position to start engine and Off to stop engine.

Hour Meter

The hour meter (Figure 15) located on rear of engine, indicates the total hours of machine operation.

Kickstand

The kickstand (Figure 16) is mounted to rear of machine and is used to raise rear of machine for installation or removal of transport wheels.

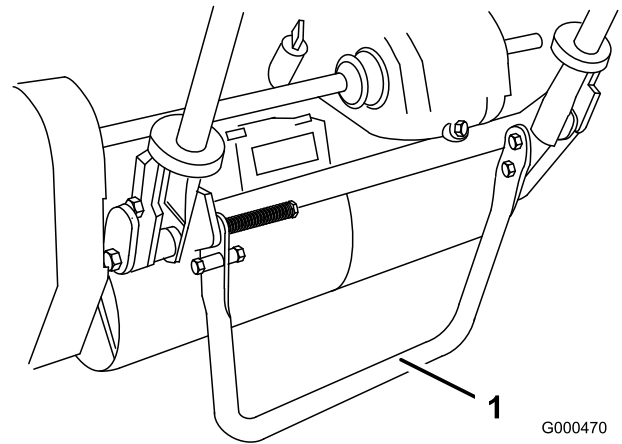


Figure 16

- 1. Kick stand

Specifications

	Flex 21	Flex 18
Width	35-1/2 inches (90.1 cm)	32 inches (81.3 cm)
Height	41-1/4 inches (104.8 cm)	41-1/2 inches (105.4 cm)
Length with basket	61-1/2 inches (156.2 cm)	61 inches (155 cm)
Weight with full fluids and basket	267lb (121 kg)	261lb (118 kg)
Dry weight with basket	256lb (116 kg)	250lb (113 kg)
Engine	Kawasaki, 4-cycle, 3.7 (2.7 kw) air cooled OHV engine, 3600 RPM, 7.57 cu inch (124 cc) displacement, cast iron cylinder sleeve; electronic ignition with integral lighting coil; maximum noise suppression muffler; 85 dB(A) at operator's ear	Kawasaki, 4-cycle, 3.7 (2.7 kw) air cooled OHV engine, 3600 RPM, 7.57 cu inch (124 cc) displacement, cast iron cylinder sleeve; electronic ignition with integral lighting coil; maximum noise suppression muffler; 85 dB(A) at operator's ear
Fuel capacity	2.64 qt. (2.5 l); regular grade unleaded gasoline	2.64 qt. (2.5 l); regular grade unleaded gasoline
Ground speed	Mowing speed: 1.3 to 3.3 MPH (2.1 to 5.3 km/h)Transport speed: 4.9 MPH (7.9 km/h) maximum	Mowing speed: 1.3 to 3.3 MPH (2.1 to 5.3 km/h)Transport speed: 4.9 MPH (7.9 km/h) maximum
Width of cut	21 inches (53.3 cm)	18 inches (45.7 cm)

Height of cut	1/16 to 19/64 inches (1.5 to 7.5 mm) with Micro-Cut bedknife	1/16 to 19/64 inches (1.5 to 7.5 mm) with Micro-Cut bedknife
Clip frequency	11 blade (standard): .14 in.	11 blade (standard): .14 inch

Attachments/Accessories

A selection of Toro approved attachments and accessories are available for use with the machine to enhance and expand its capabilities. Contact your Authorized Service Dealer or Distributor or go to www.Toro.com for a list of all approved attachments and accessories.

Operation

Note: Determine the left and right sides of the machine from the normal operating position.

Think Safety First

Please carefully read all of the safety instructions and decals in the safety section. Knowing this information could help you or bystanders avoid injury.

Checking the Engine Oil Level

Check the engine oil level before each use or every 8 operating hours, refer to Checking the Engine Oil Level in Engine Maintenance , page 22.

Filling the Fuel Tank

Important: Never use methanol, gasoline containing methanol, gasohol containing more than 10% ethanol, gasoline additives, premium gasoline, or white gas because the fuel system could be damaged. Do not mix oil with gasoline.

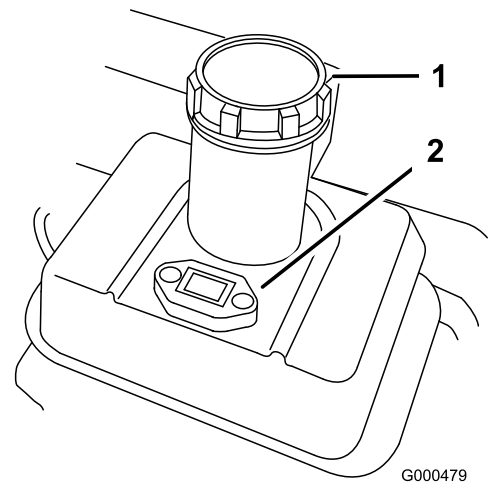


Figure 17

1. Fuel tank cap
2. Fuel gauge



Gasoline is harmful or fatal if swallowed. Long-term exposure to vapors can cause serious injury and illness.

- Avoid prolonged breathing of vapors.
- Keep face away from nozzle and gas tank or conditioner opening.
- Keep gas away from eyes and skin.



In certain conditions, gasoline is extremely flammable and highly explosive. A fire or explosion from gasoline can burn you and others and can damage property.

- Fill the fuel tank outdoors, in an open area, when the engine is cold. Wipe up any gasoline that spills.
- Do not fill the fuel tank completely full. Add gasoline to the fuel tank until the level is 1/4 to 1/2 inch (6 to 13 mm) below the bottom of the filler neck. This empty space in the tank allows gasoline to expand.
- Never smoke when handling gasoline, and stay away from an open flame or where gasoline fumes may be ignited by a spark.
- Store gasoline in an approved container and keep it out of the reach of children. Never buy more than a 30-day supply of gasoline.
- Always place gasoline containers on the ground away from your vehicle before filling.
- Do not fill gasoline containers inside a vehicle or on a truck or trailer bed because interior carpets or plastic truck bed liners may insulate the container and slow the loss of any static charge.
- When practical, remove gas-powered equipment from the truck or trailer and refuel the equipment with its wheels on the ground.
- If this is not possible, then refuel such equipment on a truck or trailer from a portable container, rather than from a gasoline dispenser nozzle.
- If a gasoline dispenser nozzle must be used, keep the nozzle in contact with the rim of the fuel tank or container opening at all times until fueling is complete.

1. Clean around fuel tank cap and remove cap from tank (Figure 17). Using unleaded gasoline, fill fuel tank no higher than to bottom of filter screen. Do not overfill.
2. Install fuel tank cap and wipe up any spilled gasoline.

Checking the Interlock Switch Operation



If safety interlock switches are disconnected or damaged the machine could operate unexpectedly causing personal injury.

- Do not tamper with the interlock switches.
- Check the operation of the interlock switches daily and replace any damaged switches before operating the machine.
- Replace switches every two years regardless of whether they are operating properly or not.

1. Push kick stand down with foot and pull up on handle support until kick stand has rotated forward, over center (Figure 18).

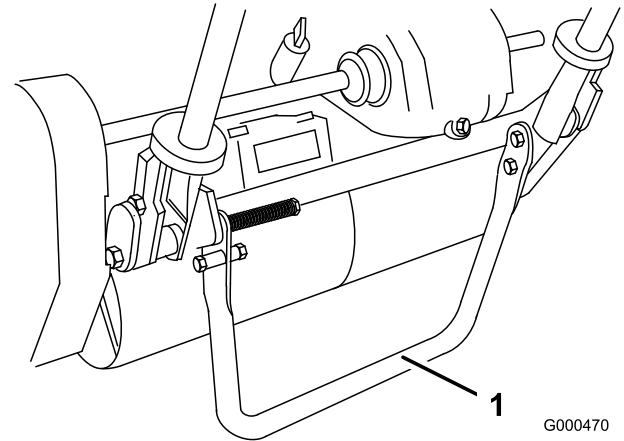


Figure 18

1. Kick stand
-
2. Place traction lever into Engage position and engine controls in starting position.
 3. Attempt to start engine. Engine should not start. If engine starts, the interlock switch needs service. Correct problem before operating. Refer to Servicing Interlock Switch.
 4. Carefully lift up on handle to release kick stand.

Starting and Stopping the Engine

Note: For illustrations and descriptions of the controls referenced in this section, refer to Controls , page 14.

Starting the Engine

Note: Make sure spark plug wire is installed on spark plug.

1. Make sure traction and reel drive levers are in Disengaged position.
Note: Engine will not start if traction lever is in the engaged position.
2. Open the fuel shut-off valve on the engine.
3. Move the on/off switch to the On position.
4. Move the throttle control to the Fast position.
5. Move the choke lever to the half-open position when starting a cold engine. The choke may not be required when starting a warm engine.
6. Pull the recoil starter handle out until positive engagement results, then pull it vigorously to start the engine. Open the choke as engine warms up.

Important: Do not pull recoil rope to its limit or let go of starter handle when rope is pulled out because rope may break or recoil assembly may be damaged.

Stopping the Engine

1. Move the traction and reel drive controls to the Disengaged position, the throttle control to Slow, and the on/off switch to Off.
2. Pull the molded spark plug wire off of the spark plug to prevent the possibility of accidental starting before storing machine.
3. Close the fuel shut-off valve before storing or transporting mower in a vehicle.

Transport Operation

Note: Do not run the mower engine while transporting it in a transport trailer because damage can occur to the mower.

1. Push kick stand down with foot and pull up on handle support until kick stand has rotated forward, over center.
2. To release kickstand, pull up on handle and lower rear of mower onto transport wheels.
3. Ensure traction and reel drive controls are in Disengage position and start engine.
4. Set throttle control to Slow, tip front of machine up gradually engage traction drive and slowly increase engine speed.
5. Adjust throttle to operate mower at desired ground speed and transport mower to desired destination.

Preparing to Mow

1. Return traction control lever to Disengage, throttle to Slow and stop engine.
2. Push kick stand down with foot and pull up on handle support until kick stand has rotated forward, over center.
3. Remove transport wheels.
4. Release kickstand.

Mowing Operation

Proper use of the machine provides the smoothest turf cutting available.

Important: Grass clippings act as a lubricant when mowing. Excessive operation of the cutting unit with the absence of grass clippings can damage the cutting unit.

Prior to Mowing

Be sure the mower is carefully adjusted and is set evenly on both sides of the reel. Improper mower adjustment is magnified in the appearance of the clipped turf. Remove all foreign objects from turf prior to mowing. Make sure everyone, especially children and pets, are clear of the work area.

Method of Mowing

The greens should be mowed in a straight back and forth direction across the green. Avoid circular mowing or turning the mower on greens areas since scuffing may occur. Turning the mower should be done off the green by raising the cutting reel (pushing the handle down) and turning on the traction drum. Mowing should be done at a normal walking pace. Fast speeds saves very little time and will result in an inferior mowing job.

To assist in maintaining a straight line across the green and to keep the machine an equal distance from the edge of the previous cut, use the alignment stripes on the basket (Figure 19).

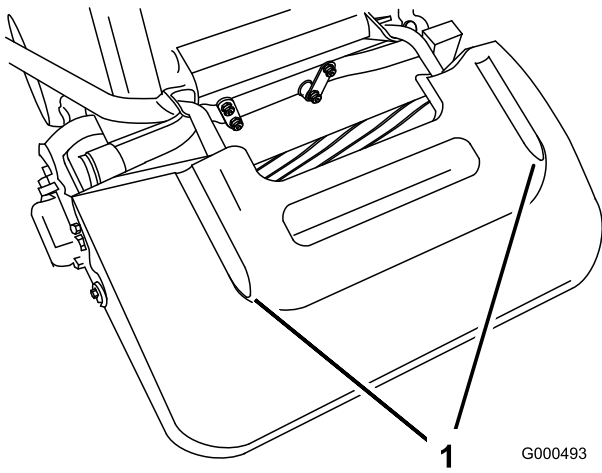


Figure 19

1. Alignment stripes

Control Operation

To operate the controls while mowing:

1. Start the engine, set the throttle at reduced speed, push down on handle to raise cutting unit, move traction lever to Engaged position and transport mower onto collar of green (Figure 20).
2. Move traction lever to Disengaged position and Engage reel drive lever (Figure 20).

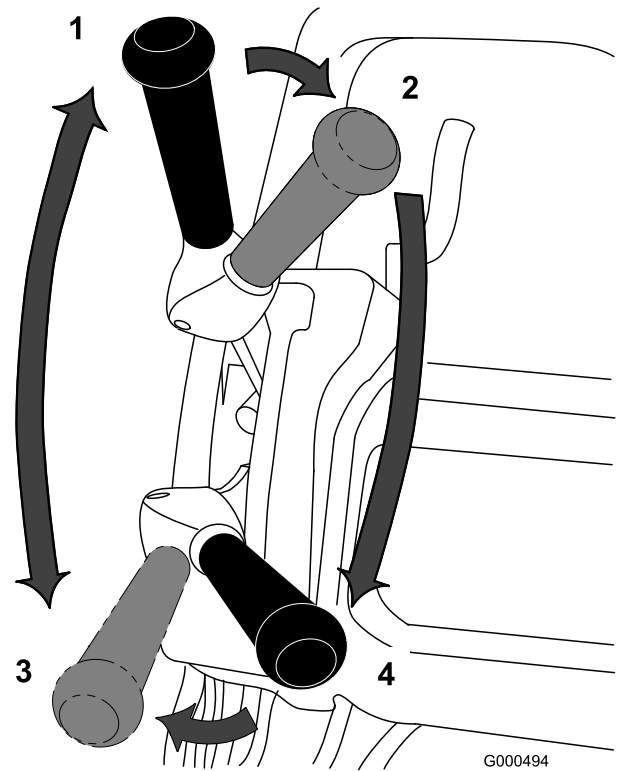


Figure 20

- | | |
|--|--|
| 1. Traction drive -neutral | 3. Traction drive-engaged (transport) |
| 2. Traction drive neutral & reel drive off | 4. Traction drive & reel drive engaged |

3. Move traction lever to Engaged position, increase throttle speed until the mower is traveling at the desired ground speed, drive the mower out onto the green area, lower the front of the mower down and commence operation (Figure 20).

After Mowing

1. Drive off green, move reel drive and traction control levers to Disengage and stop the engine.
2. Empty the grass catcher of clippings, install grass catcher and commence transport operation.

Maintenance

Note: Determine the left and right sides of the machine from the normal operating position.

Recommended Maintenance Schedule(s)

Maintenance Service Interval	Maintenance Procedure
After the first 8 hours	<ul style="list-style-type: none">• Change the engine oil.
After the first 25 hours	<ul style="list-style-type: none">• Clean the fuel filter.• Change the transmission fluid.
Before each use or daily	<ul style="list-style-type: none">• Check the engine oil level.
Every 25 hours	<ul style="list-style-type: none">• Clean the air cleaner (more often in dirty or dusty conditions).
Every 50 hours	<ul style="list-style-type: none">• Change the engine oil.• Clean the fuel filter.• Check the transmission fluid level.
Every 100 hours	<ul style="list-style-type: none">• Clean or replace the paper air filter element (more often in dirty or dusty conditions).• Check the spark plug.
Every 200 hours	<ul style="list-style-type: none">• Decarbon the engine.
Every 1,500 hours	<ul style="list-style-type: none">• Replace the interlock switch.• Change the transmission fluid. (Or 2 years, whichever occurs first)
Before storage	<ul style="list-style-type: none">• Paint chipped surfaces.

Important: Refer to your engine operator's manual for additional maintenance procedures.

Daily Maintenance Checklist

Important: Duplicate this page for routine use.

Maintenance Check Item	For the week of:						
	Mon.	Tues.	Wed.	Thurs.	Fri.	Sat.	Sun.
Check the safety interlock operation.							
Check the parking brake operation.							
Check that pivot joints operate freely.							
Check the fuel level.							
Check the engine oil level.							
Check the air filter.							
Clean the engine cooling fins.							
Check for unusual engine noises.							
Check for unusual operating noises.							
Check the reel-to-bedknife adjustment.							
Check the height-of-cut adjustment.							
Touch up damaged paint.							

Notation for Areas of Concern		
Inspection performed by:		
Item	Date	Information

Engine Maintenance

Engine Oil

The crankcase must be filled with approximately 20 fluid ounces of proper viscosity oil before starting. The engine uses any high-quality oil having the American Petroleum Institute - API - "service classification" SF, SG, SH or SJ. Oil viscosity - weight - must be selected according to ambient temperature. Figure 21 illustrates the temperature/viscosity recommendations.

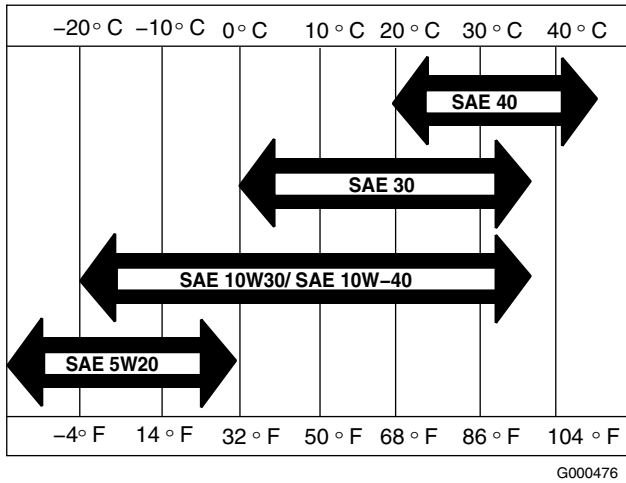


Figure 21

Note: Using multi-grade oils (5W-20, 10W-30, and 10W-40) will increase oil consumption. Check the oil level more frequently when using them.

Checking the Engine Oil Level

Service Interval: Before each use or daily

1. Position mower so the engine is level and clean around oil level gauge (Figure 22).

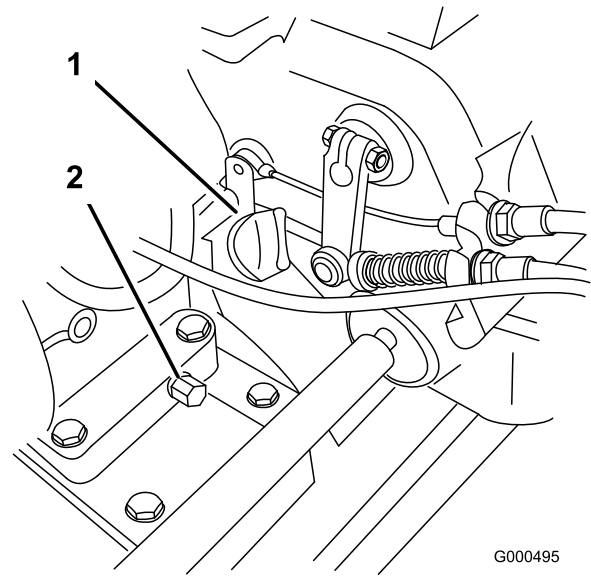


Figure 22

1. Oil level gauge
2. Drain plug

2. Remove oil level gauge by rotating it counterclockwise.
3. Wipe oil level gauge clean and insert it into filler port. Do not screw into port. Then remove and check level of oil. If level is low, add only enough oil to raise level to bottom of filler opening. Recheck level of oil. Do not overfill.
4. Reinstall oil level gauge and wipe up any spilled oil.

Changing the Engine Oil

Service Interval: After the first 8 hours

Every 50 hours

1. Start and run engine for a few minutes to warm the engine oil.
2. Place a drain pan at rear of machine under drain plug (Figure 22). Remove drain plug.
3. Push down on handle to tip mower and engine backward, allowing all oil to run into drain pan.
4. Install drain plug and refill crankcase with the specified oil; refer to Checking the Oil Level.

Servicing the Air Cleaner

Service Interval: Every 25 hours

Every 100 hours

1. Make sure wire is off spark plug.
2. Remove wing nuts securing air cleaner cover to air cleaner and remove cover. Clean cover thoroughly (Figure 23).

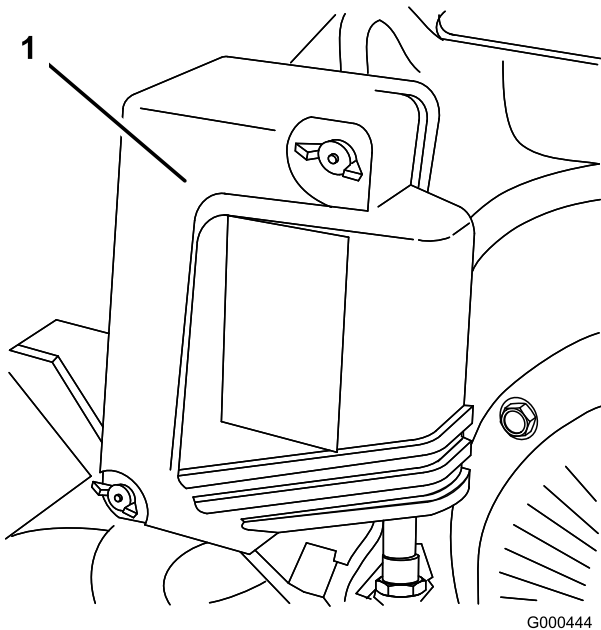


Figure 23

1. Air cleaner cover

3. If foam element is dirty, remove it from paper element (Figure 24). Clean thoroughly.
 - A. Wash foam element in a solution of liquid soap and warm water. Squeeze to remove dirt, but do not twist because the foam may tear.
 - B. Dry by wrapping in a clean rag. Squeeze rag and foam element to dry, but do not twist because the foam may tear.
 - C. Saturate element with clean engine oil. Squeeze element to remove excess oil and to distribute oil thoroughly. An oil damp element is desirable.

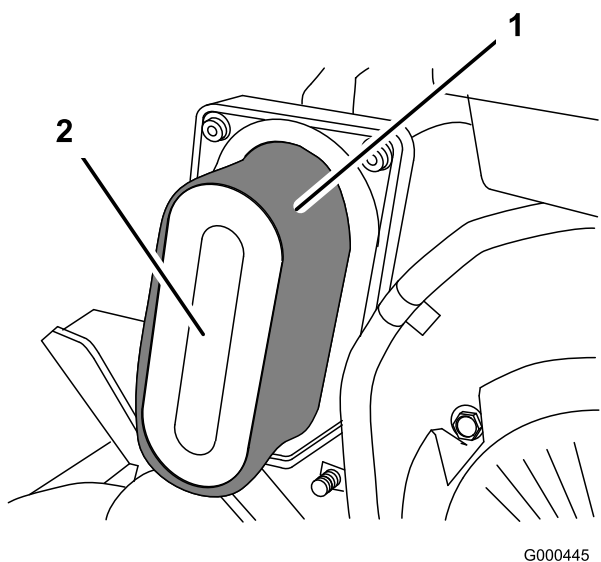


Figure 24

1. Foam element
2. Paper element

4. When servicing foam element, check condition of paper element. Clean or replace every 100 hours or as required.
5. Install foam element, paper element, and air cleaner cover.

Important: Do not operate the engine without the air cleaner element because extreme engine wear and damage will likely result.

Replacing the Spark Plug

Service Interval: Every 100 hours

Use an NGK BPR 5ES spark plug or equivalent. Correct air gap is 0.028-0.032 inch.

1. Pull molded wire off spark plug (Figure 25).

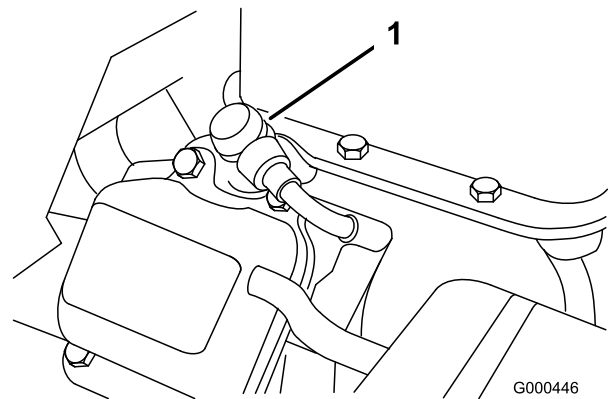


Figure 25

1. Spark plug wire
2. Clean around spark plug and remove plug from cylinder head.

Important: Replace a cracked, fouled, or dirty spark plug. Do not sand blast, scrape, or clean electrodes because engine damaged could result from grit entering the cylinder.

3. Set air gap at 0.028-0.032 inch (Figure 26). Install correctly gapped spark plug and tighten firmly to 17 ft.-lb.

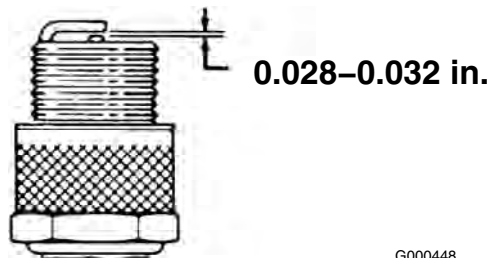


Figure 26

Fuel System Maintenance

Cleaning the Fuel Filter

Service Interval: After the first 25 hours

Every 50 hours

1. Close fuel shut off valve and unscrew bowl from filter body (Figure 27).

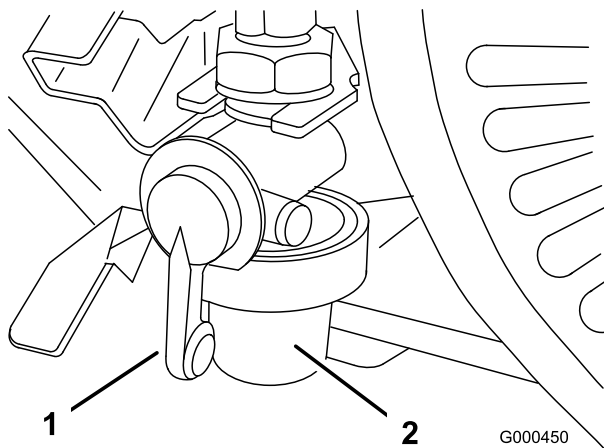


Figure 27

1. Shut-off valve
2. Bowl

2. Clean bowl and filter in clean gasoline and install.

Electrical System Maintenance

Servicing the Interlock Switch

Service Interval: Every 1,500 hours

Use the following procedure if the switch needs adjustment or replacement.

1. Make sure the engine is off and traction lever is Disengaged.
2. Engage traction lever until it contacts neutral stop (Figure 28).

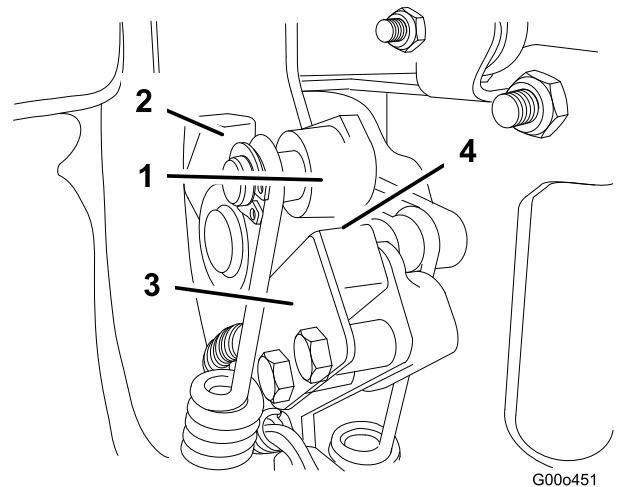


Figure 28

1. Traction lever
2. Neutral stop
3. Interlock switch
4. .032" Gap

3. Loosen interlock switch mounting fasteners (Figure 28).
4. Place a .032" thick shim between the traction lever and the interlock switch (Figure 28).
5. Tighten interlock switch mounting fasteners. Recheck gap. The traction lever must not contact the switch.
6. Engage traction lever and verify that the switch loses continuity. Replace if required.

Important: Replace interlock switch every 2 years.

Drive System Maintenance

Checking the Transmission Fluid Level

Service Interval: Every 50 hours

The transmission is filled at the factory with approximately 94 fluid ounces of Mobil Dexron III automatic transmission fluid.

Note: The seals used in the transmission are internally lubricated with grease. During initial operation of mower, slight weeping of grease from these seals will occur. Wipe off excess grease.

Important: Use only Mobil Dexron III or equivalent transmission fluids. Other fluids could cause system damage.

1. Place the mower on its drums on a level surface.
2. Remove the check/fill plug from the right-hand side of the transmission (Figure 29).

The oil level should come to the bottom of the fill hole. If it does not, add enough of the proper oil type until the level reaches the bottom of the fill hole.

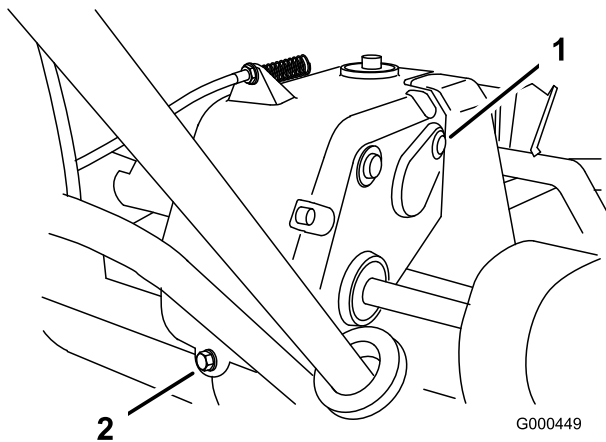


Figure 29

1. Check/fill plug
2. Drain plug

-
3. Install the plug.

Changing the Transmission Fluid

Service Interval: After the first 25 hours
Every 1,500 hours (Or 2 years, whichever occurs first)

Important: Use only **Mobil Dexron III** or equivalent transmission fluids. Other fluids could cause system damage.

1. Place a drain pan at the rear of the machine.
2. Remove the drain plug from the rear of the transmission (Figure 30).

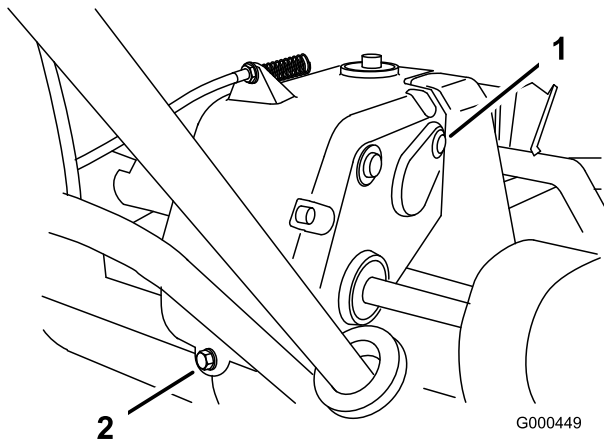


Figure 30

1. Check/fill plug
2. Drain plug

Brake Maintenance

Adjusting the Service/Parking Brake

If service/park brake slips when operated, an adjustment is required.

1. Move service/parking brake lever to Off position.
2. To increase cable tension, loosen front cable jam nut and tighten back cable jam nut (Figure 31) until a force of 11–14 lb. is required to engage brake. Force to be measured at lever knob. Do not over adjust, or brake band may drag.

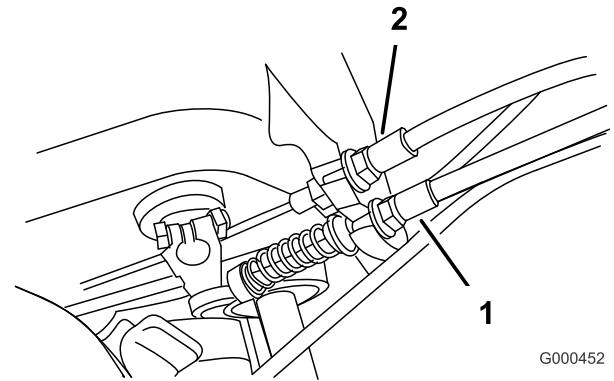


Figure 31

1. Traction cable
2. Service/parking brake cable

3. Push down on the handle and tip the machine back. Remove the check/fill plug from the right-hand side of the transmission (Figure 30).
4. When the fluid is drained, install the drain plug.
5. Place the mower on its drums on a level surface.
6. Fill the transmission with approximately 94 fluid ounces of the proper type of transmission fluid until the level reaches the bottom of the check/fill hole; refer to Checking the Transmission Fluid.
7. Install the check/fill plug.

Belt Maintenance

Adjusting the Belts

Make sure belts are properly tensioned to assure proper operation of the machine and unnecessary wear. Check belts frequently.

Reel Drive Belt (Reel)

1. Remove the belt cover mounting fasteners and belt cover to expose belt (Figure 32).

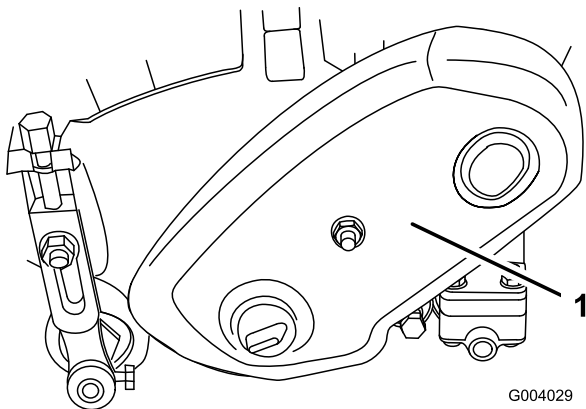


Figure 32

1. Belt cover

2. Check tension by depressing belt (Figure 33) at mid span of pulleys with 4 ± 1 lb. of force. Belt should deflect $3/16$ to $5/16$ inch (4.8 to 7.9 mm). If the deflection is incorrect, proceed to next step.

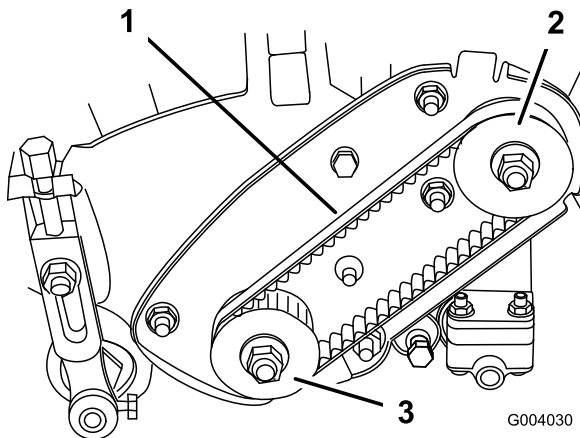
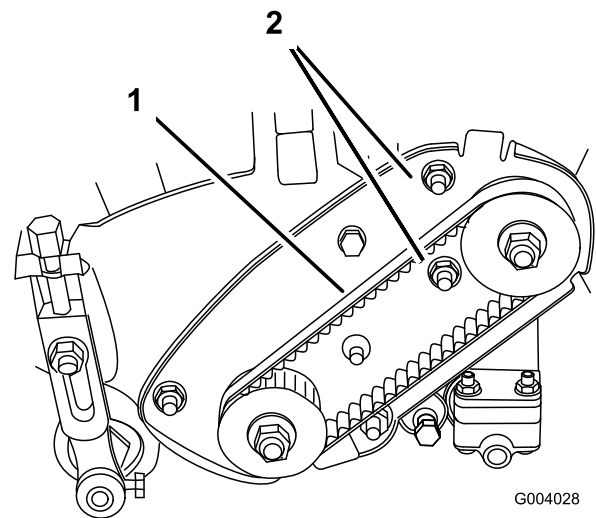


Figure 33

1. Reel drive belt
2. Drive pulley
3. Driven pulley

3. To adjust belt tension:

- A. Loosen the bearing housing mounting nuts (Figure 34).

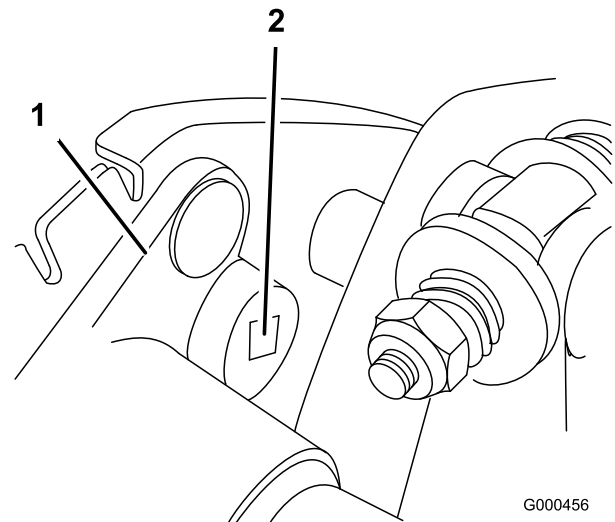


G004028

Figure 34

1. Reel drive belt
2. Bearing housing mounting nuts

- B. Using a $3/8$ inch drive torque wrench, rotate the bearing housing with 35-40 in.-lb. of torque to set belt tension (Figure 35)



G000456

Figure 35

1. Bearing housing
2. $3/8$ " Torque wrench here

- C. While holding the torque wrench setting, tighten the bearing housing mounting nuts (Figure 34). Do not over-tension belt.

- D. Install belt cover.

Reel Drive Belt (Transmission coupler)

1. Remove the belt cover mounting fasteners and belt cover to expose belt (Figure 36).

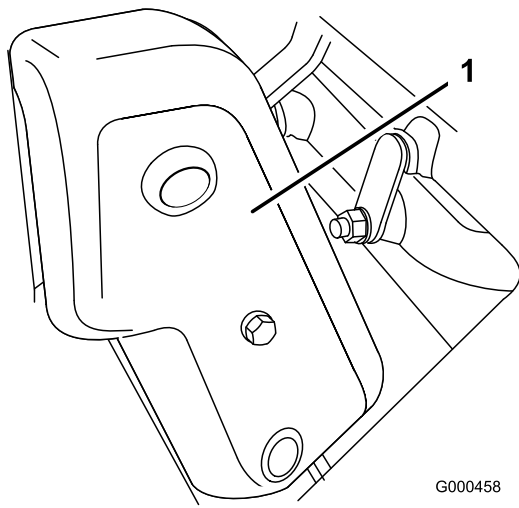


Figure 36

1. Belt cover

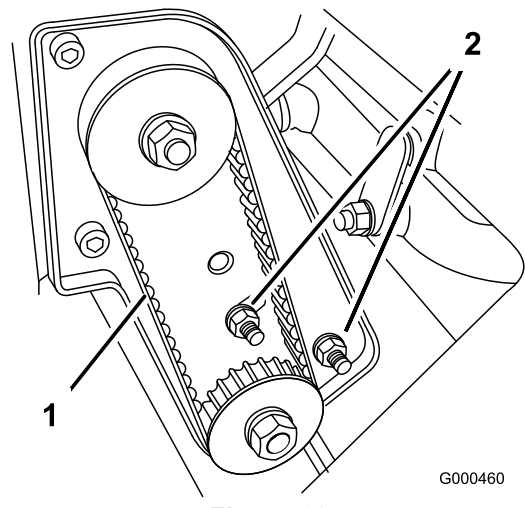


Figure 38

1. Reel drive belt
2. Bearing housing mounting nuts

2. Check tension by depressing belt (Figure 37) at mid span of pulleys with 4 ± 1 lb. of force. Belt should deflect $3/16$ to $5/16$ inch (4.8 to 7.9 mm). If the deflection is incorrect, proceed to next step.

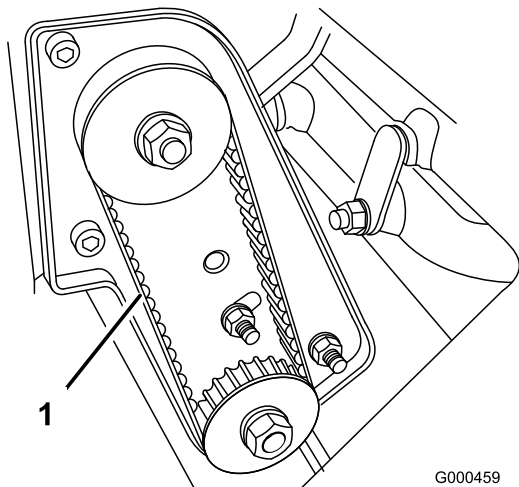


Figure 37

1. Reel drive belt

- B. Using a $3/8$ inch drive torque wrench, rotate the bearing housing with 35-40 in.-lb. of torque to set belt tension (Figure 39).

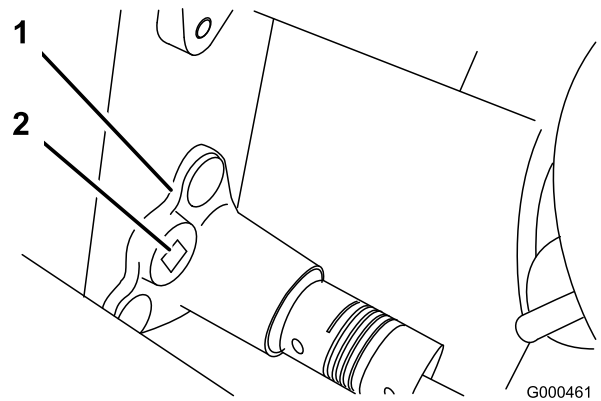


Figure 39

1. Bearing housing
2. $3/8$ " Torque wrench here

3. To adjust belt tension:

- A. Loosen the bearing housing mounting nuts (Figure 38).

- C. While holding the torque wrench setting, tighten the bearing housing mounting nuts (Figure 38). Do not over-tension belt.

- D. Install belt cover.

Traction Drive Belt

1. Remove belt cover mounting fasteners and belt cover to expose belt (Figure 40).

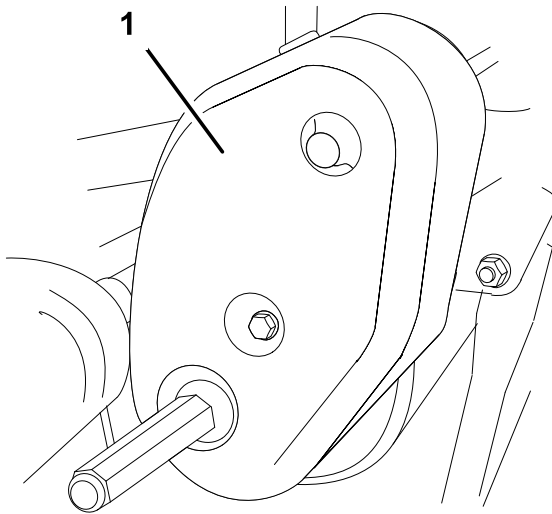


Figure 40

1. Traction drive belt cover

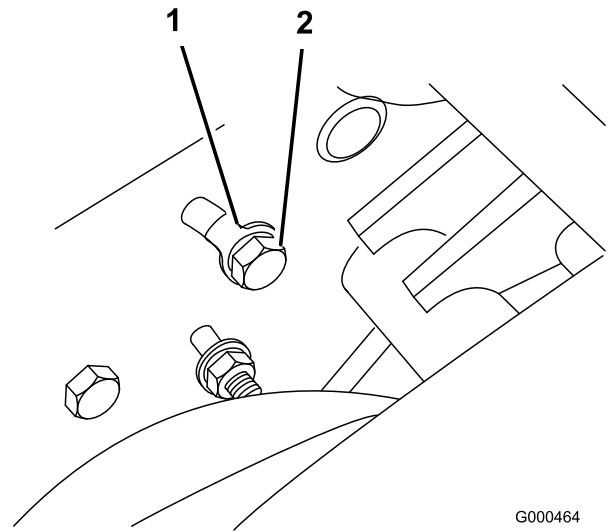


Figure 42

1. Tang washer
2. Idler bracket bolt

2. Check tension by depressing belt (Figure 41) at mid span of pulleys with 4 ± 1 lb of force. Belt should deflect $3/16$ to $5/16$ inch (4.8 to 7.9 mm). If the deflection is incorrect, proceed to next step.

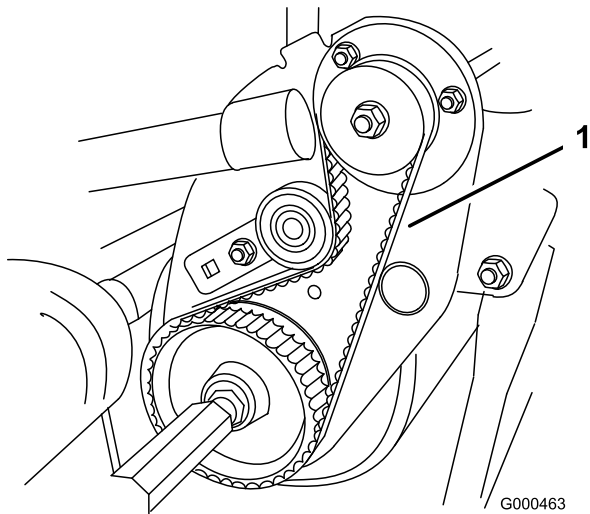


Figure 41

1. Traction drive belt

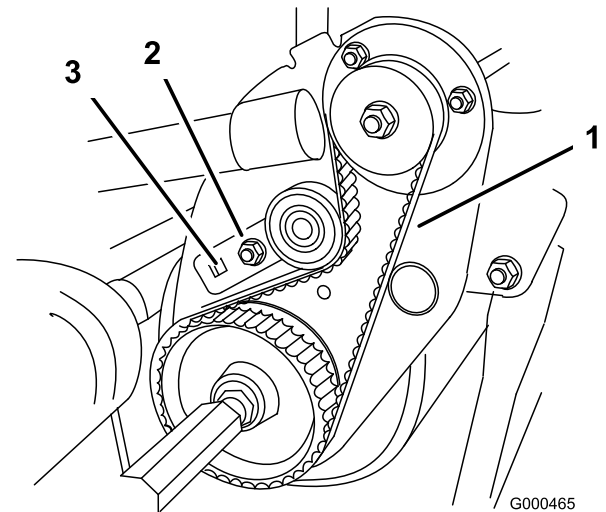


Figure 43

1. Traction drive belt
2. Idler bracket
3. 3/8 inch Torque wrench here

3. To adjust belt tension:

- A. On back side of side plate, loosen the bolt securing the idler bracket to the side plate (Figure 42).

- C. Install the belt cover.

Controls System Maintenance

Adjusting the Traction Control

If traction control does not engage or it slips during operation, an adjustment is required.

1. Move traction control to Disengaged position.
2. To increase cable tension, loosen front cable jam nut and tighten back cable jam nut (Figure 44) until a force of 12-16 lb. is required to engage traction control.

Measure the force at the control knob.

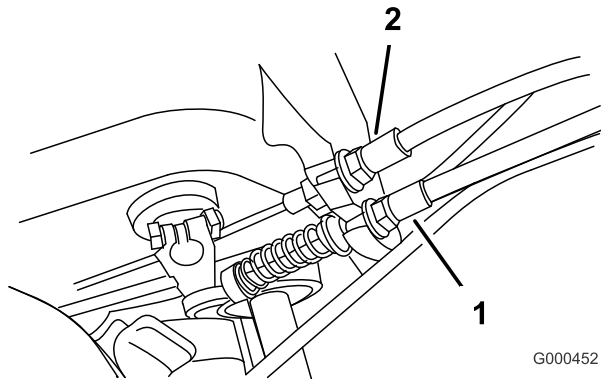


Figure 44

1. Traction cable
2. Service/parking brake cable

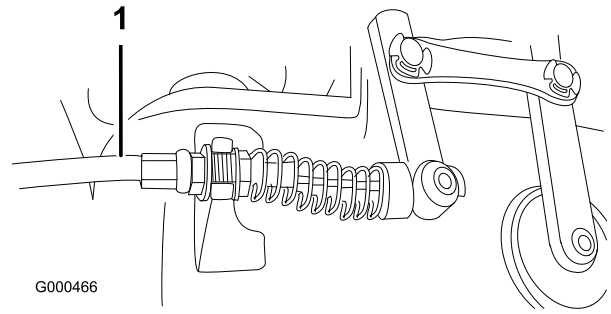


Figure 45

1. Reel control cable
3. Tighten front cable jam nut.
4. Check control operation.

3. Tighten front cable jam nut.
4. Check control operation.

Adjusting the Reel Control

If reel control does not engage or it slips during operation, an adjustment is required.

1. Make sure traction control is properly adjusted; refer to Adjusting the Traction Control.
2. To increase cable tension, loosen front cable jam nut and tighten back cable jam nut (Figure 45) (located on top of gear box) until the reel cable force adds 7 to 10 lbs. of additional handle force measured at the control knob.

Note: If traction control handle force is 12 lbs., the combined traction and reel force should be 19 to 22 lbs.

Cutting Unit Maintenance

Separating the Cutting Unit from the Traction Unit

1. Place the mower on its drums on a level surface.
2. Lower kick stand. Insert a 1/4" dia. pin or equivalent into frame hole above kick stand mounting bolt (Figure 46).

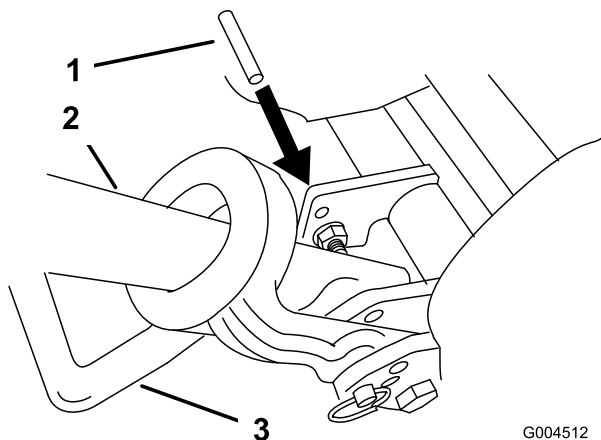


Figure 46

1. 1/4" Pin
2. Handle
3. Kick stand

3. Remove grass basket.
4. Remove (2) bolts securing cutting unit pivot arms to traction unit frame tube (Figure 47).

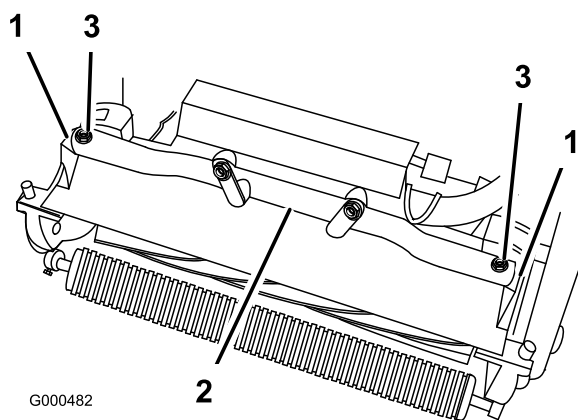


Figure 47

1. Cutting unit pivot arms
2. Traction unit frame tube
3. Bolts

5. Rotate pivot arms forward (Figure 47) and rest traction unit on restrained kickstand.
6. Pull cutting unit forward about 2 inch (51 mm) and then to the right to disengage the transmission coupling (Figure 48).

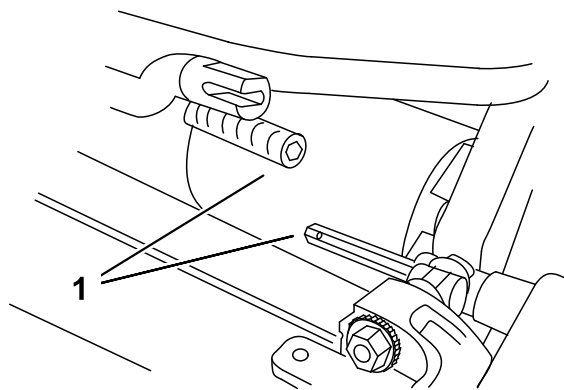


Figure 48

1. Transmission coupling

7. Reverse procedure to install cutting unit.

Note: When tightening the pivot arm mounting fasteners, use an adjustable (crescent) wrench to hold the pivot arm parallel to the side plate (Figure 49).

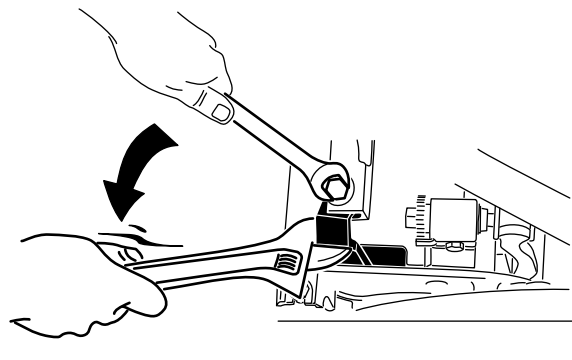


Figure 49

Adjusting the Rear Roller

1. Adjust the rear roller brackets to the low or high position depending on desired height of cut range (Figure 50 and Figure 51).
 - Position the spacer above the sideplate mounting flange (factory setting) when height of cut settings range from 1/16 to 1/4" (Fig. 10).

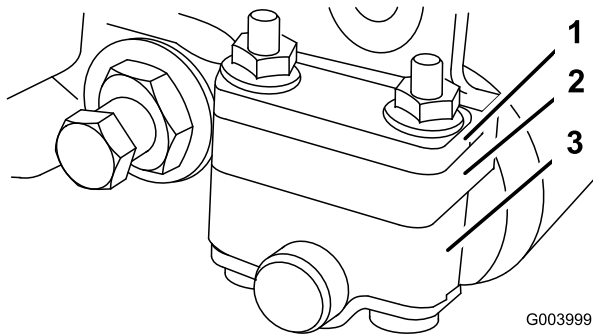


Figure 50

1. Spacer
2. Sideplate mounting flange
3. Roller bracket

- Position the spacer below the sideplate mounting flange when height of cut settings range from 1/8" to 1" (Figure 51).

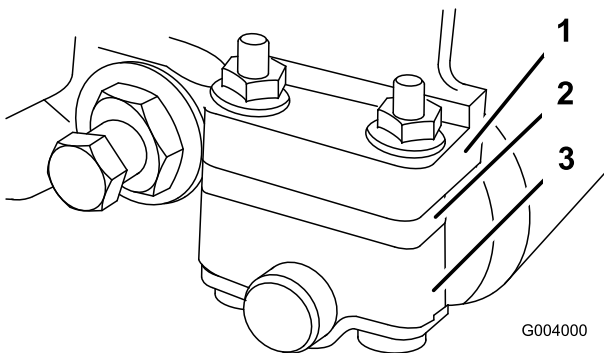


Figure 51

1. Sideplate mounting flange
2. Spacer
3. Roller bracket

2. To adjust rear roller proceed as follows:
 - Raise rear of cutting unit and place a block under bedknife.
 - Remove (2) nuts securing each roller bracket and spacer to each sideplate mounting flange.
 - Lower roller and screws from sideplate mounting flanges and spacers.
 - Place spacers onto screws on roller brackets.
 - Re-secure roller bracket and spacers to underside of sideplate mounting flanges with nuts previously removed.
3. Verify that the bedknife to reel contact is correct. Tip mower to expose front and rear rollers and bedknife.

Note: The position of the rear roller to the reel is controlled by the machining tolerances of the assembled components and paralleling is not required. A limited amount of adjustment is possible by setting the cutting unit on a surface plate and loosening the sideplate mounting bolts (Figure 52). Adjust and re-tighten bolts.

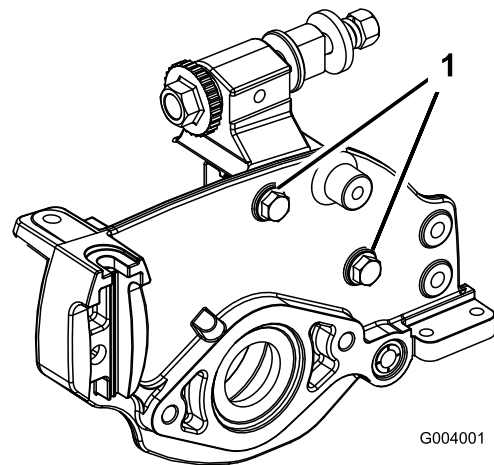


Figure 52

1. Sideplate mounting bolts

Important: Whenever the cutting unit has to be tipped to expose bedknife/reel, prop up rear of cutting unit to make sure nuts on back end of bedbar adjusting screws are not resting on work surface.

Adjusting the Bedknife to the Reel

Bedknife to reel adjustment is accomplished by loosening or tightening bedbar adjusting screws, located on top of mower.

1. Position machine on a flat, level work surface.
2. Make sure reel contact is removed by turning bedbar adjusting screws counterclockwise (Figure 53).

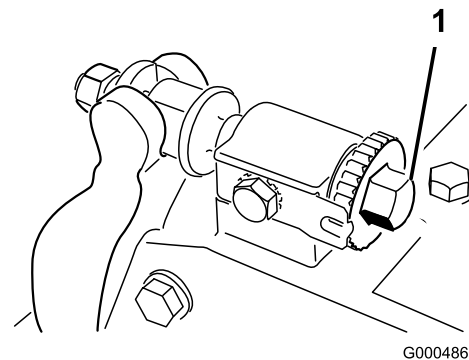


Figure 53

1. Bedbar adjusting screw

3. Tilt mower on back to expose bedknife and reel.
4. At one end of reel, insert a long strip of newspaper between reel and bedknife (Figure 54). While slowly rotating reel forward, turn bedbar adjusting screw clockwise (on same end of reel) (Figure 53), one click at a time, until paper is pinched lightly, when inserted

from the front, parallel to the bedknife. A slight drag will be noted as the paper is pulled.

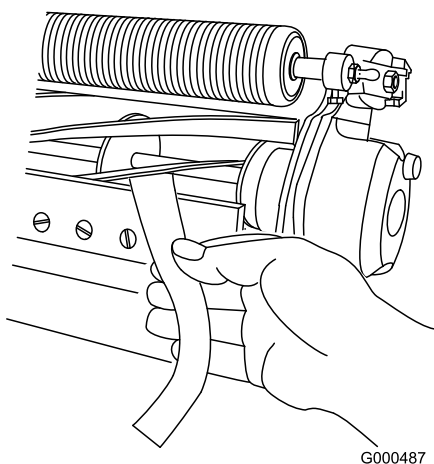


Figure 54

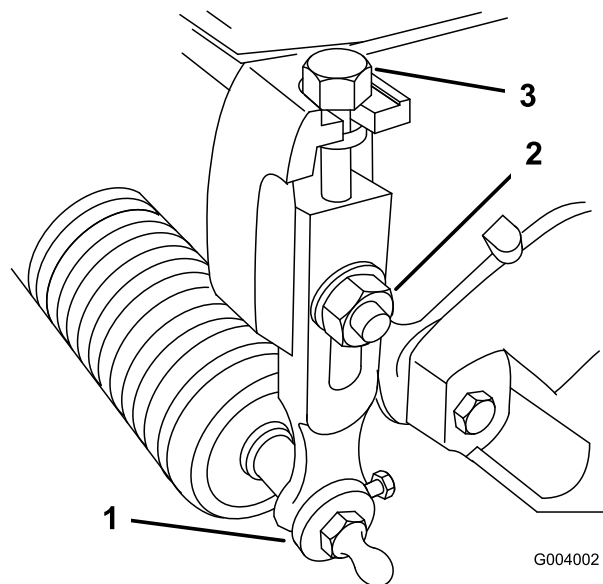


Figure 55

- | | |
|------------------------|--------------------|
| 1. Rear roller bracket | 3. Locknut |
| 2. Height-of-cut arm | 4. Adjusting screw |

Note: Each time adjusting screw is rotated one click clockwise, the bedknife moves .0007 inch closer to reel. Do not overtighten the adjusting screws.

5. Check for light contact at other end of reel using paper and adjust as required.
6. After adjustment is accomplished, check to see if reel can pinch paper when inserted from the front and cut paper when inserted at a right angle to the bedknife (Figure 54). It should be possible to cut paper with minimum contact between the bedknife and the reel blades. Should excessive reel drag be evident it will be either necessary to backlap or regrind the cutting unit to achieve the sharp edges needed for precision cutting (see Toro reel sharpening manual).

Adjusting the Height of Cut

For heights of cut greater than .500", the high height of cut kit must be installed.

1. Loosen locknuts securing height-of-cut arms to cutting unit side plates (Figure 55).

2. Loosen nut on gauge bar (Figure 56) and set adjusting screw to desired height-of-cut. Distance between bottom of screw head and face of bar is height-of-cut.

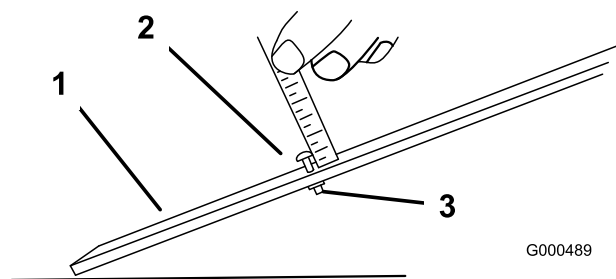


Figure 56

- | | |
|---------------------------|--------|
| 1. Gauge bar | 3. Nut |
| 2. Height adjusting screw | |

3. Hook screw head on cutting edge of bedknife and rest rear end of bar on rear roller (Figure 57).

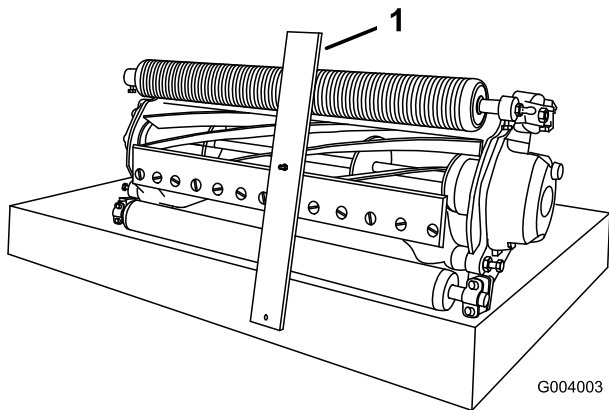


Figure 57

G004003

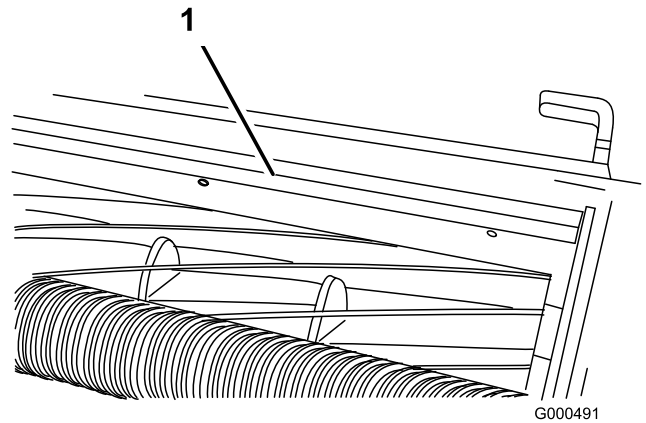


Figure 58

G000491

4. Rotate adjusting screw until roller contacts front of gauge bar. Adjust both ends of roller until entire roller is parallel to the bedknife.

Important: When set properly, the rear and front rollers will contact the gauge bar and the screw will be snug against the bedknife. This ensures that the height-of-cut is identical at both ends of the bedknife.

5. Tighten nuts to secure adjustment. Do not overtighten nut. Tighten enough to remove play from washer.

Note: Use the following chart to determine which bedknife is best suited for the desired height of cut.

Adjusting the Cut-Off Bar

Adjust cut-off bar to assure clippings are cleanly discharged from the reel area:

1. Loosen screws securing top bar (Figure 58) to cutting unit.

1. Cut-off bar

2. Insert .060 inch feeler gauge between top of reel and bar and tighten screws. Ensure bar and reel are equal distance apart across complete reel.

Note: The bar is adjustable to compensate for changes in turf conditions. The bar should be adjusted closer to reel when turf is extremely dry. By contrast, adjust bar further away from reel when turf conditions are wet. The bar should be parallel to reel to ensure optimum performance and should be adjusted whenever reel is sharpened on a reel grinder.

Setting the Machine to Match Turf Conditions

Use the following table to set the machine to match turf conditions.

Flex Greensmower Cutting Unit Set-up Matrix				
Bedbars: Standard and Optional				
Part Number	Description	Mower	Aggressiveness	Comments
106-2468-01	Standard	Flex 21	Less	Standard
99-3794-03	Aggressive	Flex 21	More	
110-2282-01	Standard	Flex 18	Less	Standard
110-2281-03	Aggressive	Flex 18	More	
Bedknives: Standard and Optional				
Part Number	Description	Mower	Height of Cut Range	Comments
93-4262	Microcut	Flex 21	0.062 - 0.125 inches	Standard
93-4263	Tournament	Flex 21	0.125 -0.25 inches	
93-4264	Low Cut	Flex 21	0.25 inches and up	
108-4303	Extended Microcut	Flex 21	0.062 - 0.125 inches	Less Aggressive
98-7261	Microcut	Flex 18	0.062 - 0.125 inches	Standard
98-7260	Tournament	Flex 18	0.125 -0.25 inches	
110-2300	Extended Microcut	Flex 18	0.062 - 0.125 inches	Less Aggressive
110-2301	Low Cut	Flex 18	0.25 inches and up	
Rollers: Standard and Optional				
Part Number	Description	Mower	Diameter/Material	Comments
107-9037	Narrow Wiehle	Flex 21	2.5 inches Aluminum	Standard Front
107-9038	Wide Wiehle	Flex 21	2.5 inches Aluminum	More Penetration
107-9039	Full Roller	Flex 21	2.5 inches Steel	Least Penetration
107-9036	Rear Roller	Flex 21	2.0 inches Aluminum	Standard Rear
106-6945	Rear Roller	Flex 21	2.0 inches Steel	Steel Rear
93-9045	Anti Scalp Wiehle	Flex 21	2.5 inches Aluminum 1-7/8 inches longer	More edge support
110-2304	Narrow Wiehle	Flex 18	2.5 inches Aluminum	Standard Front
110-2305	Wide Wiehle	Flex 18	2.5 inches Aluminum	More Penetration
110-2306	Full Roller	Flex 18	2.5 inches Steel	Least Penetration
110-2303	Rear Roller	Flex 18	2.0 inches Aluminum	Standard Rear

Use the following table and Figure 59 to set the rate of clip.

Clip (Refer to Figure 59 for pulley locations.)			
Drive pulley number of teeth	Driven pulley number of teeth	11 Blade Clip	8 Blade Clip
27	22	.14 inches (standard)	.19 inches
22	22	.16 inches	.24 inches
22	27	.21 inches	.29 inches

The reel is shipped with one 27 tooth and one 22 tooth pulley. To get a .16 inch clip, you must purchase a 22 tooth pulley. The clip can only be changed on the reel drive (Figure 59). Do not change the drive ratio on the gearbox pulleys.

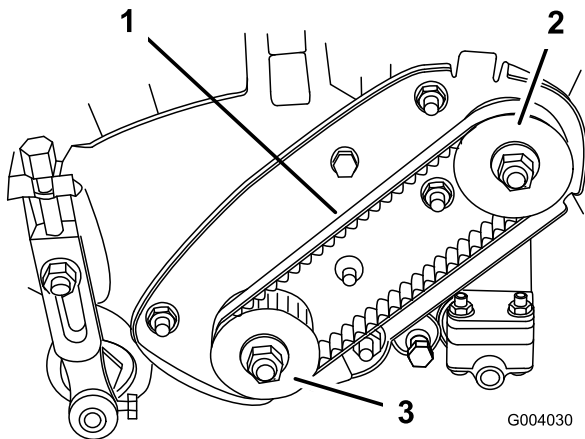


Figure 59

- 1. Reel drive belt
- 2. Drive pulley
- 3. Driven pulley

Servicing the Bedbar

Removing the Bedbar

1. Turn the bedbar adjuster screw, counterclockwise, to back the bedknife away from reel (Figure 60).

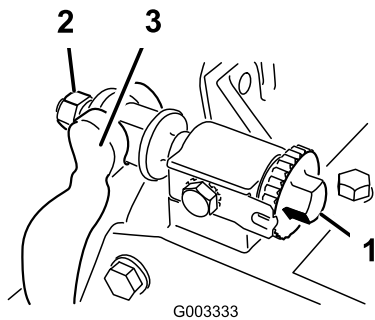


Figure 60

- 1. Bedbar adjusting screw
- 2. Spring tension nut
- 3. Bedbar
- 4. Jam nut
- 5. Bedbar bolt

2. Back out the spring tension nut, until the washer is no longer tensioned against the bedbar (Figure 61).
3. On each side of the machine, loosen the jam nut securing the bedbar bolt (Figure 61).

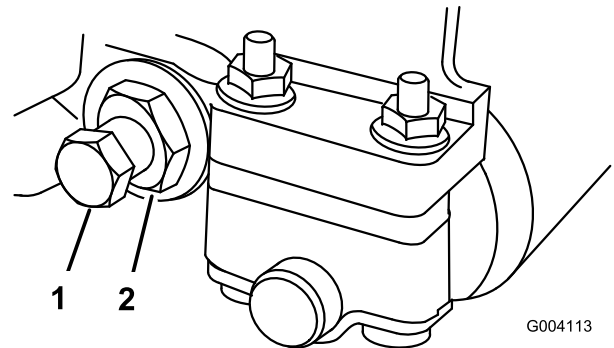


Figure 61

- 1. Bedbar bolt
- 2. Nut

4. Remove each bedbar bolt allowing bedbar to be pulled downward and removed from machine. Account for 2 nylon and 2 stamped steel washers on each end of bedbar (Figure 62).

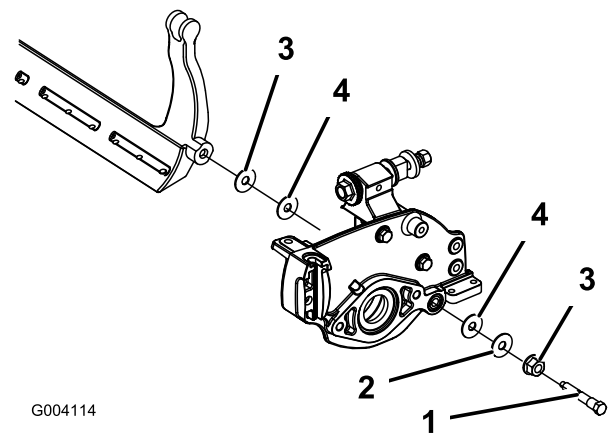


Figure 62

- 1. Bedbar bolt
- 2. Steel washer
- 3. Nut
- 4. Nylon washer

Assembling the Bedbar

1. Install bedbar, positioning mounting ears between washer and bedbar adjuster.

2. Secure bedbar to each side plate with bedbar bolts (jam nuts on bolts) and 8 washers. A nylon washer is to be positioned on each side of side plate boss. Place a steel washer outside each of the nylon washers. Torque bolts to 240-320 in.-lb.
3. Tighten the jam nut until the end play is removed from the outside thrust washers. Do not overtighten.

Note: It is acceptable that the inside thrust washers on the cutting unit may remain loose.

4. Tighten spring tension nut until spring is collapsed, then back off 1/2 turn.
5. Adjust bedbar; refer to Adjusting the Bedknife to the Reel.

Note: For a better cutting edge, run a file across the front face of the bedknife when the lapping operation is completed. This will remove any burrs or rough edges that may have built up on the cutting edge.

4. Reinstall plug when backlap operation is completed.

Backlapping the Reel

1. Remove plug from the reel drive cover on the left side of reel assembly (Figure 63)

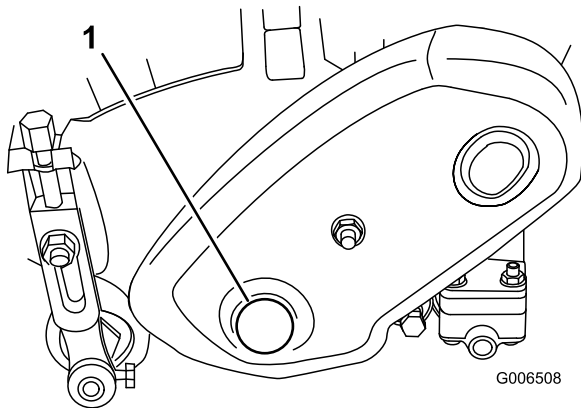


Figure 63

1. Reel drive cover plug

2. Insert a 18 mm socket onto hex flange nut on left end of reel shaft.
3. Backlap according to the procedure in the Toro Sharpening Reel and Rotary Mowers Manual, Form No. 80-300 PT.



Contact with the reel or other moving parts can result in personal injury.

- Stay away from the reel while backlapping.
- Never use a short handled paint brush for backlapping. Part No. 29-9100 Handle assembly complete or individual parts are available from your local Authorized Toro Distributor.

Storage

1. Remove grass clippings, dirt, and grime from the external parts of the entire machine, especially the engine. Clean dirt and chaff from the outside of the engine's cylinder head fins and blower housing.

Important: You can wash the machine with mild detergent and water. Do not pressure wash the machine. Avoid excessive use of water, especially near the shift lever plate, and engine.

2. For long-term storage (more than 90 days) add stabilizer/conditioner additive to fuel in the tank.
 - A. Run the engine to distribute conditioned fuel through the fuel system (5 minutes).
 - B. Either stop engine, allow it to cool, and drain the fuel tank, or operate the engine until it stops.
 - C. Restart the engine and run it until it stops. Repeat, on Choke, until the engine will not restart.
 - D. Dispose of fuel properly. Recycle as per local codes.

Note: Do not store stabilizer/conditioned gasoline over 90 days.

3. Check and tighten all bolts, nuts, and screws. Repair or replace any part that is damaged or defective.
4. Paint all scratched or bare metal surfaces. Paint is available from your Authorized Service Dealer.
5. Store the machine in a clean, dry garage or storage area. Cover the machine to protect it and keep it clean.



The Toro General Commercial Products Warranty

A Two-Year Limited Warranty

Conditions and Products Covered

The Toro Company and its affiliate, Toro Warranty Company, pursuant to an agreement between them, jointly warrant your Toro Commercial Product ("Product") to be free from defects in materials or workmanship for two years or 1500 operational hours*, whichever occurs first. Where a warrantable condition exists, we will repair the Product at no cost to you including diagnosis, labor, parts, and transportation. This warranty begins on the date the Product is delivered to the original retail purchaser.

* Product equipped with hour meter

Instructions for Obtaining Warranty Service

You are responsible for notifying the Commercial Products Distributor or Authorized Commercial Products Dealer from whom you purchased the Product as soon as you believe a warrantable condition exists.

If you need help locating a Commercial Products Distributor or Authorized Dealer, or if you have questions regarding your warranty rights or responsibilities, you may contact us at:

Toro Commercial Products Service Department
Toro Warranty Company
8111 Lyndale Avenue South
Bloomington, MN 55420-1196
952-888-8801 or 800-982-2740
E-mail: commercial.service@toro.com

Owner Responsibilities

As the Product owner, you are responsible for required maintenance and adjustments stated in your operator's manual. Failure to perform required maintenance and adjustments can be grounds for disallowing a warranty claim.

Items and Conditions Not Covered

Not all product failures or malfunctions that occur during the warranty period are defects in materials or workmanship. This express warranty does not cover the following:

- Product failures which result from the use of non-Toro replacement parts, or from installation and use of add-on, modified, or unapproved accessories
- Product failures which result from failure to perform required maintenance and/or adjustments
- Product failures which result from operating the Product in an abusive, negligent or reckless manner
- Parts subject to consumption through use unless found to be defective. Examples of parts which are consumed, or used up, during normal Product operation include, but are not limited to, blades, reels, bedknives, tines, spark plugs, castor wheels, tires, filters, belts, and certain sprayer components such as diaphragms, nozzles, and check valves, etc.

Countries Other than the United States or Canada

Customers who have purchased Toro products exported from the United States or Canada should contact their Toro Distributor (Dealer) to obtain guarantee policies for your country, province, or state. If for any reason you are dissatisfied with your Distributor's service or have difficulty obtaining guarantee information, contact the Toro importer. If all other remedies fail, you may contact us at Toro Warranty Company.

- Failures caused by outside influence. Items considered to be outside influence include, but are not limited to, weather, storage practices, contamination, use of unapproved coolants, lubricants, additives, or chemicals, etc.
- Normal "wear and tear" items. Normal "wear and tear" includes, but is not limited to, damage to seats due to wear or abrasion, worn painted surfaces, scratched decals or windows, etc.

Parts

Parts scheduled for replacement as required maintenance are warranted for the period of time up to the scheduled replacement time for that part.

Parts replaced under this warranty become the property of Toro. Toro will make the final decision whether to repair any existing part or assembly or replace it. Toro may use factory remanufactured parts rather than new parts for some warranty repairs.

General Conditions

Repair by an Authorized Toro Distributor or Dealer is your sole remedy under this warranty.

Neither The Toro Company nor Toro Warranty Company is liable for indirect, incidental or consequential damages in connection with the use of the Toro Products covered by this warranty, including any cost or expense of providing substitute equipment or service during reasonable periods of malfunction or non-use pending completion of repairs under this warranty. Except for the Emissions warranty referenced below, if applicable, there is no other express warranty. All implied warranties of merchantability and fitness for use are limited to the duration of this express warranty.

Some states do not allow exclusions of incidental or consequential damages, or limitations on how long an implied warranty lasts, so the above exclusions and limitations may not apply to you.

This warranty gives you specific legal rights, and you may also have other rights which vary from state to state.

Note regarding engine warranty: The Emissions Control System on your Product may be covered by a separate warranty meeting requirements established by the U.S. Environmental Protection Agency (EPA) and/or the California Air Resources Board (CARB). The hour limitations set forth above do not apply to the Emissions Control System Warranty. Refer to the Engine Emission Control Warranty Statement printed in your operator's manual or contained in the engine manufacturer's documentation for details.