

# Rear Hitch Kit

## for Zero-Turn-Radius Riding Mowers

Model No. 79318

### Installation Instructions

---

## Safety

- Do not attach towed equipment except at the hitch point.
- Follow the manufacturer's recommendation for weight limits for towed equipment and towing on slopes.
- Never allow children or others in or on towed equipment.
- On slopes, the weight of the towed equipment may cause loss of traction and loss of control.
- Travel slowly and allow extra distance to stop.

## Safety and Instructional Decals



Safety decals and instructions are easily visible to the operator and are located near any area of potential danger. Replace any decal that is damaged or lost.

**109-7076**

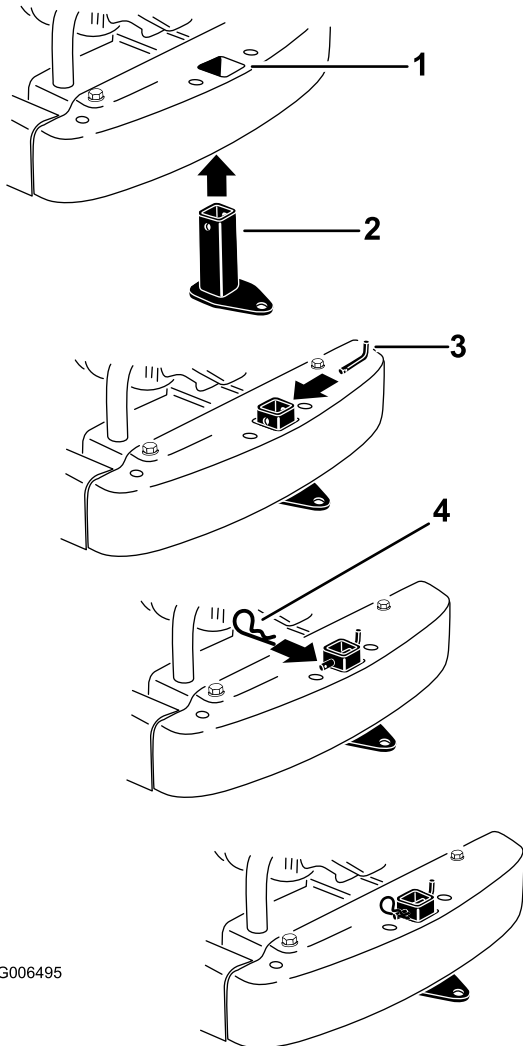
# Installation

## Loose Parts

Use the chart below to verify that all parts have been shipped.

Description	Qty.	Use
Rear hitch	1	Install the rear hitch.
Pin	1	
Cotter	1	
Decal 109-7076	1	Install the decal.

## Installing the Rear Hitch

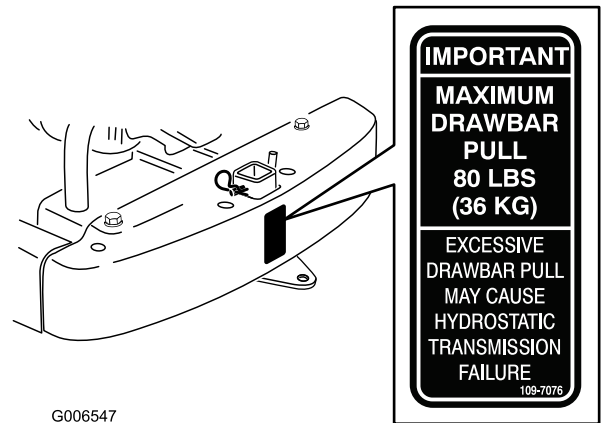


**Figure 1**

- |                                       |           |
|---------------------------------------|-----------|
| 1. Square hole, rear bumper           | 3. Pin    |
| 2. Rear hitch, tongue facing rearward | 4. Cotter |

## Installing the Decal

1. Thoroughly clean the area where you will install the decal.
2. Dampen the area with water or mildly soapy water.
3. Peel the decal from the backing and install it in place.
4. Squeegee across the surface of the decal, starting at the center of the decal and working toward the edges, using overlapping strokes.



**Figure 2**