



## GT Classic<sup>®</sup> Garden Tractor

Model No. 73450 - 250000001 and up.

### Parts Catalog

---

#### **Ordering Replacement Parts**

To order replacement parts, please supply the part number, the quantity, and the description of each part desired.

#### **Understanding Reference Numbers**

Each identified part in an illustration has a reference number. The reference number for a part also appears in the parts list, along with other information about the part.

This catalog uses two special reference number formats, one to indicate parts in a service assembly and another to indicate the quantity of a given part in an illustration.

#### **Service Assembly Reference Numbers**

Parts in service assemblies have reference numbers in the form a:b. The a represents the reference number of the entire service assembly and the b represents a sequential number unique to each part within the service assembly.

For example, a wheel assembly might be identified by reference number 6, the tire by 6:1, the valve by 6:2, and the wheel by 6:3. When you order the assembly identified by reference number 6, you receive all parts identified by reference numbers 6:1, 6:2, and 6:3. However, you may also order any part individually. Reference numbers of this type appear in illustrations and in part lists.

#### **Reference Numbers Indicating Quantity**

In an illustration, if a reference number indicates more than one part, the reference number has the form nX y. The n represents the quantity of the part, the X is the multiplication symbol, and the y represents the reference number.

For example, in an illustration, the reference number 2X 37 means that two of the parts identified by reference number 37 are indicated.

# Contents

Description	Page	Description	Page
Hood Assembly	3	Hoodstand Electrical Mounting Assembly	21
Frame, Axle, And Steering Assembly	4	Crankshaft Assembly Kohler Model CH15S-44533	22
Hoodstand and Console Assembly	5	Air Intake / Filtration Assembly Kohler CH15S-44533	23
Footrest And Hoodstand Side Cover Assembly	6	Exhaust Assembly Kohler CH15S-44533	24
Gauge, Warning Light and Control Assembly	7	Crankcase Assembly Kohler CH15S-44533	25
Manual Lift Assembly	8	Oil Pan / Lubrication Assembly Kohler CH15S-44533	26
Clutch Assembly	9	Head / Valve / Breather Assembly Kohler CH15S-44533	27
Brake Assembly	10	Ignition / Electrical Assembly Kohler CH15S-44533	28
Fender, Seat and Tail Light / Reflector Assembly	11	Blower Housing Assembly Kohler CH15S-44533	29
Electric Clutch and Cover Assembly	12	Starter Assembly Kohler CH15S-44533	30
Engine Assembly	13	Fuel System Assembly Kohler CH15S-44533	31
Transaxle Assembly	14	Engine Control Assembly Kohler CH15S-44533	32
Transmission Case Assembly	15	Attachments and Accessories List	33
Transmission Gear Assembly	16		
Wheel Assembly	17		
Hitch Assembly	18		
Battery Assembly	19		
Fuel Tank Assembly	20		

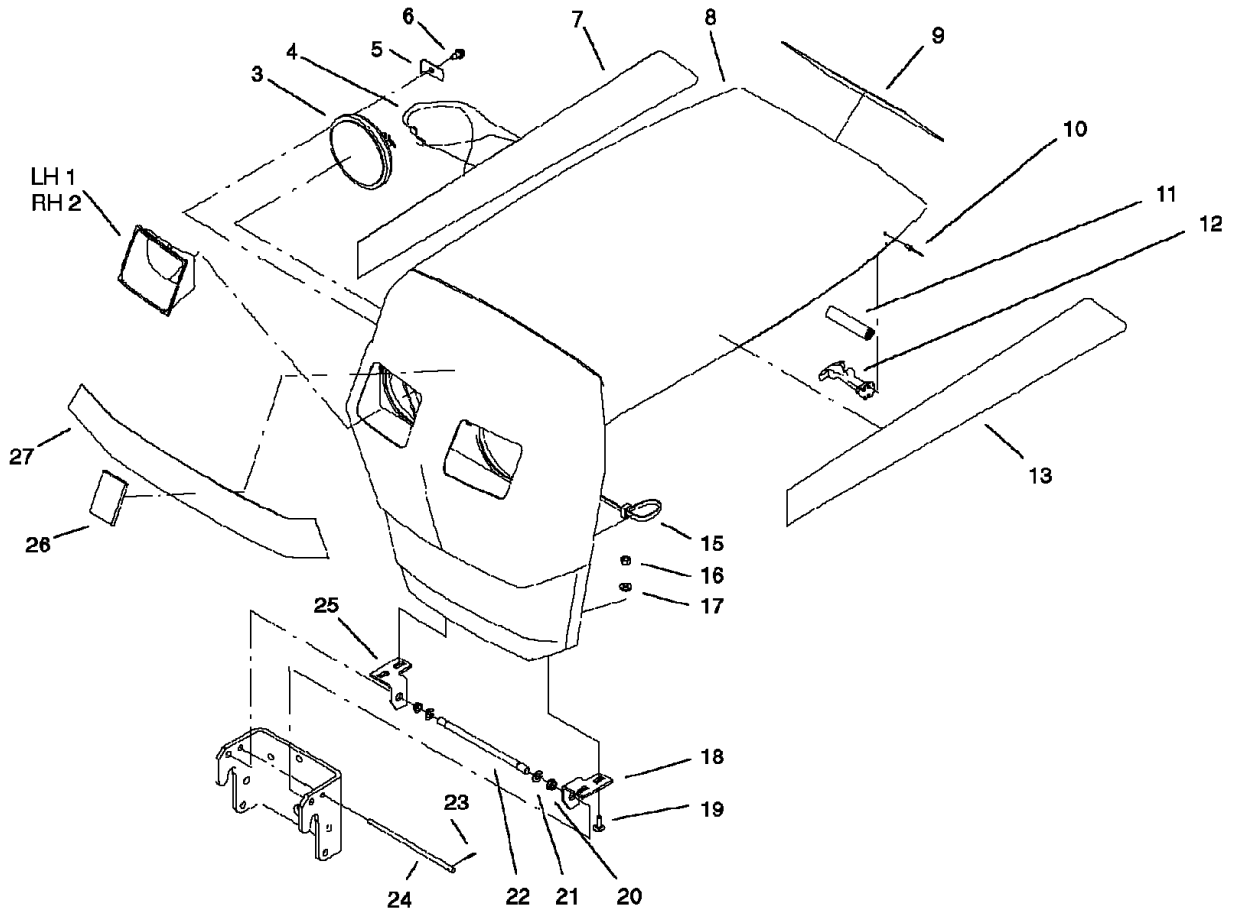
## Part Description Abbreviations

Part descriptions in this catalog may include the following abbreviations.

AR. .... as required	HYD. .... hydraulic
ASM. .... assembly	LH. .... left hand
BBC. .... blade brake clutch	NI. .... nylon insert
CARR. .... carriage	NPTF. .... national pipe thread fine
DEG. .... degrees	PFH. .... phillips flat head
EXT. .... external	PPH. .... phillips pan head
FH. .... flat head	PPHTF. .... phillips pan head thread forming
GA. .... gauge	PRH. .... phillips round head
HD. .... heavy-duty	PTH. .... phillips truss head
HF. .... hex flange	PTO. .... power-take-off
HH. .... hex head	RH. .... right hand
HHF. .... hex head flange	ROPS. .... roll-over protection system
HHFTF. .... hex head flange thread forming	SFH. .... slotted fillister head
HJ. .... hex jam	SHH. .... slotted hex head
HLH. .... hex lag head	SHWH. .... slotted hex washer head
HOC. .... height-of-cut	SPH. .... slotted pan head
HSBH. .... hex socket button head	SQH. .... square head
HSFH. .... hex socket flat head	SRH. .... slotted round head
HSH. .... hex socket head	STD. .... standard
HWH. .... hex washer head	TAP. .... self tapping
HWHTF. .... hex washer head thread forming	TTH. .... torx truss head

## Footnotes

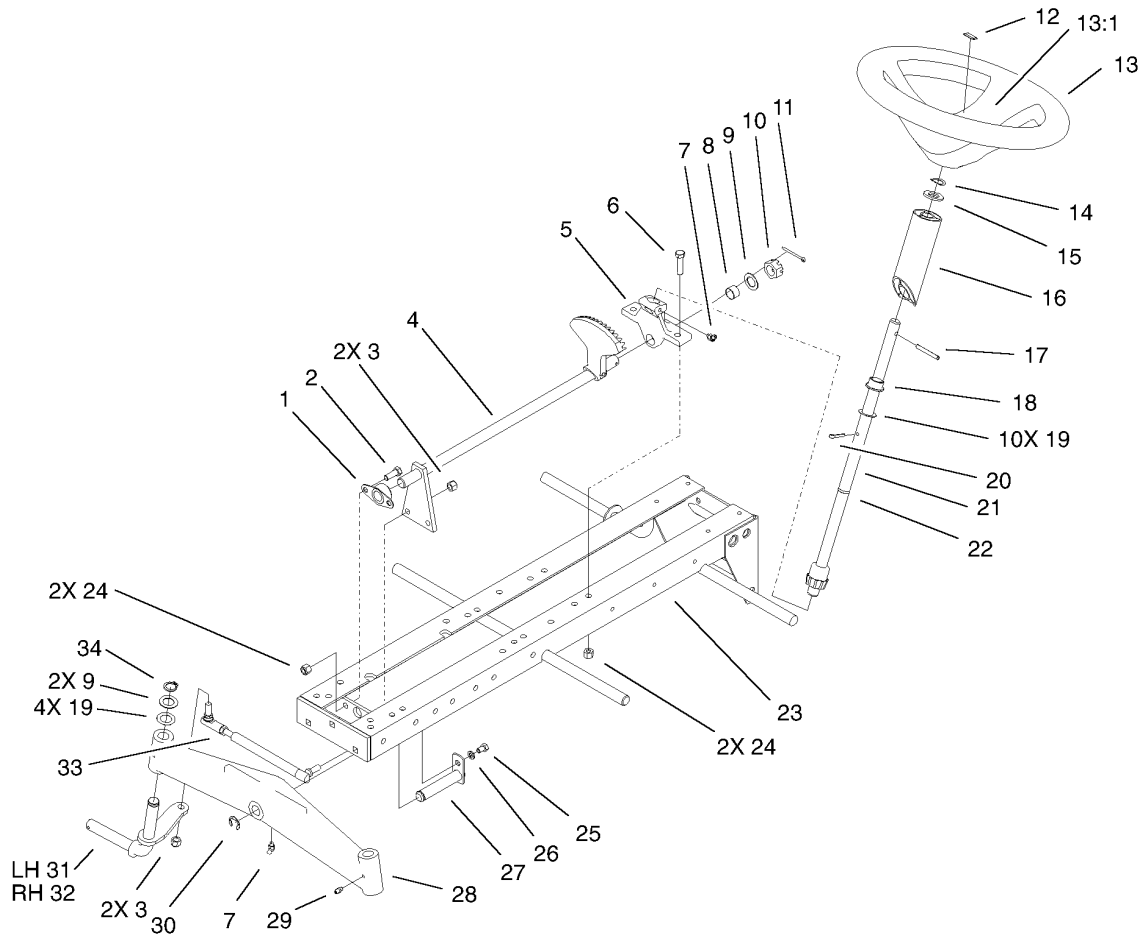
- ❶ Not illustrated
- ❷ Obtain from your local Kohler dealer
- ❸ Not serviced separately



## Hood Assembly

Ref	Part No.	Qty.	Description
1	109495	1	Bezel-Headlight, LH
2	109494	1	Bezel-Headlight, RH
3	102881	2	Headlamp
4	95-7679	1	Harness-Headlight
5	109459	2	Lock-Headlight
6	9266714	2	Screw-HWH
7	106-5848	1	Decal-Hood, RH (Top)
8	88-2782	1	Hood And Grill ASM
9	98-0750	1	Decal-Danger, Hood
10	117432	4	Rivet-Pop
11	111757	1	Edging-Console
12	117344	2	Handle ASM
13	106-5849	1	Decal-Hood, LH (Top)
15	3290-378	1	Tie-Cable
16	3296-42	4	Nut-Lock, NI
17	3256-22	4	Washer-Flat
18	116747	1	Bracket-Grill, LH
19	3229-25	4	Screw-CARR
20	5979	2	Bushing-Nyliner
21	105797	2	Ring-Retaining
22	116745	1	Rod-Grill Pivot
23	3272-1	2	Pin-Cotter
24	101850	1	Rod-Hood Stop
25	116746	1	Bracket-Grill, R H

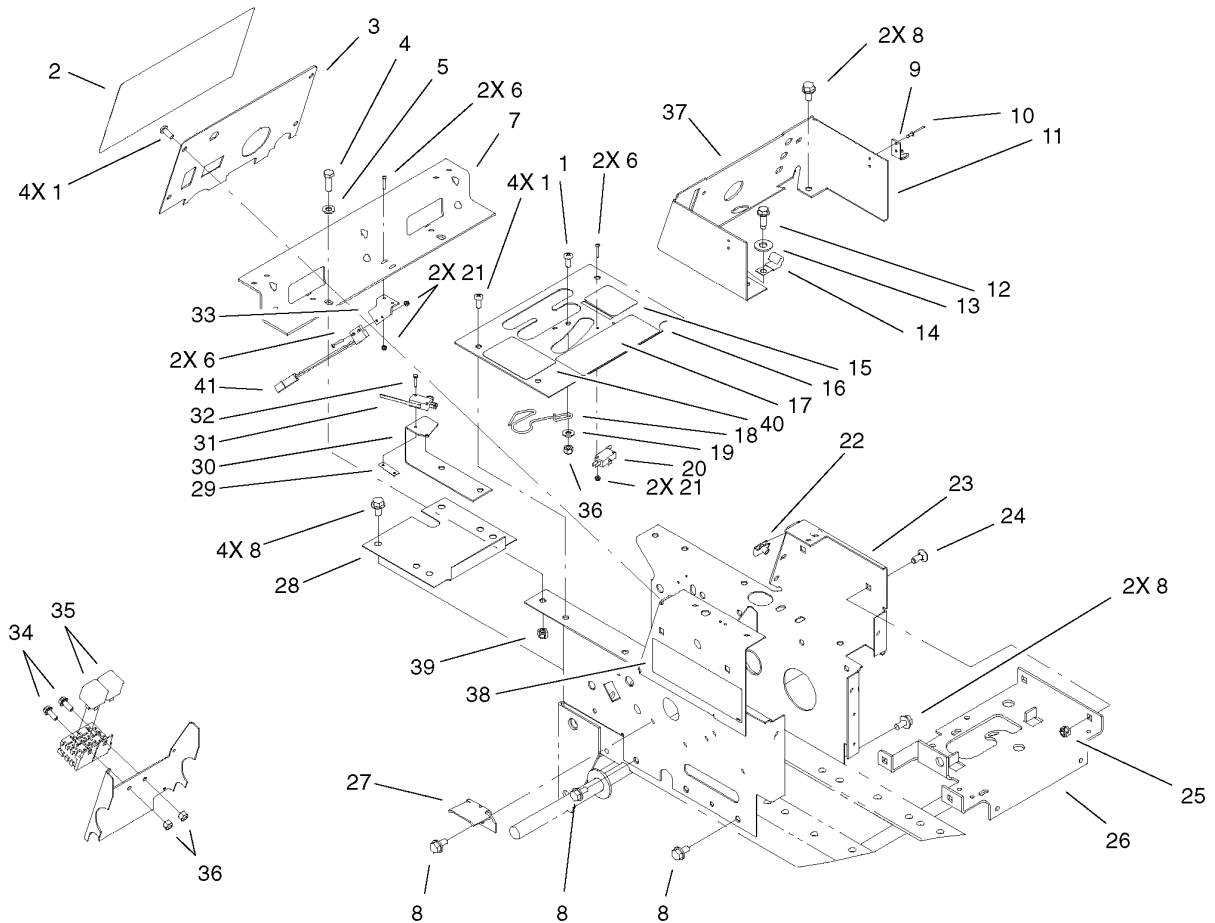
Ref	Part No.	Qty.	Description
26	95-4248	1	Decal
27	92-9826	1	Decal-Front Hood, Top



## Frame, Axle, And Steering Assembly

Ref	Part No.	Qty.	Description
1	6472	1	Bearing-Flanged
2	323-6	2	Screw-HH
3	3296-6	4	Nut-Lock
4	78-2880-03	1	Lower Steering ASM
5	88-2710-03	1	Support-Lower, Steering
6	323-8	2	Screw-HH
7	302-11	2	Fitting-Lube, 45 DEG
8	6397	1	Bearing-Bronze
9	1278	3	Washer
10	32136-5	1	Nut-Hex, Slotted
11	3272-19	1	Pin-Cotter
12	98-1459	1	Decal
13	98-1473	1	Wheel-Steering
13:1	98-1468	1	Cover-Wheel, Steering
14	7896	1	Washer-Bowed
15	109262	2	Washer-Flat
16	113443	1	Tube-Steering
17	32121-111	1	Pin-Roll
18	109189	1	Bearing-Flanged
19	5210	14	Washer-Shim
20	3272-21	1	Pin-Cotter
21	92-4987	1	Steering Shaft ASM
22	237-69	1	O-Ring
23	94-6673-01	1	Frame ASM

Ref	Part No.	Qty.	Description
24	3296-39	4	Nut-Lock, NI
25	322-1	1	Screw-HH
26	3253-4	1	Washer-Lock
27	6216	1	Pin And Plate ASM
28	5638-01	1	Axle-Front
28:1	5638	1	Axle-Front
29	302-5	2	Fitting-Grease
30	5618	1	E-Ring
31	113382-01	1	Spindle ASM-RH
32	113381-01	1	Spindle ASM-LH
33	78-2900-01	2	Tie Rod ASM
34	32120-93	2	Ring-Retaining, EXT



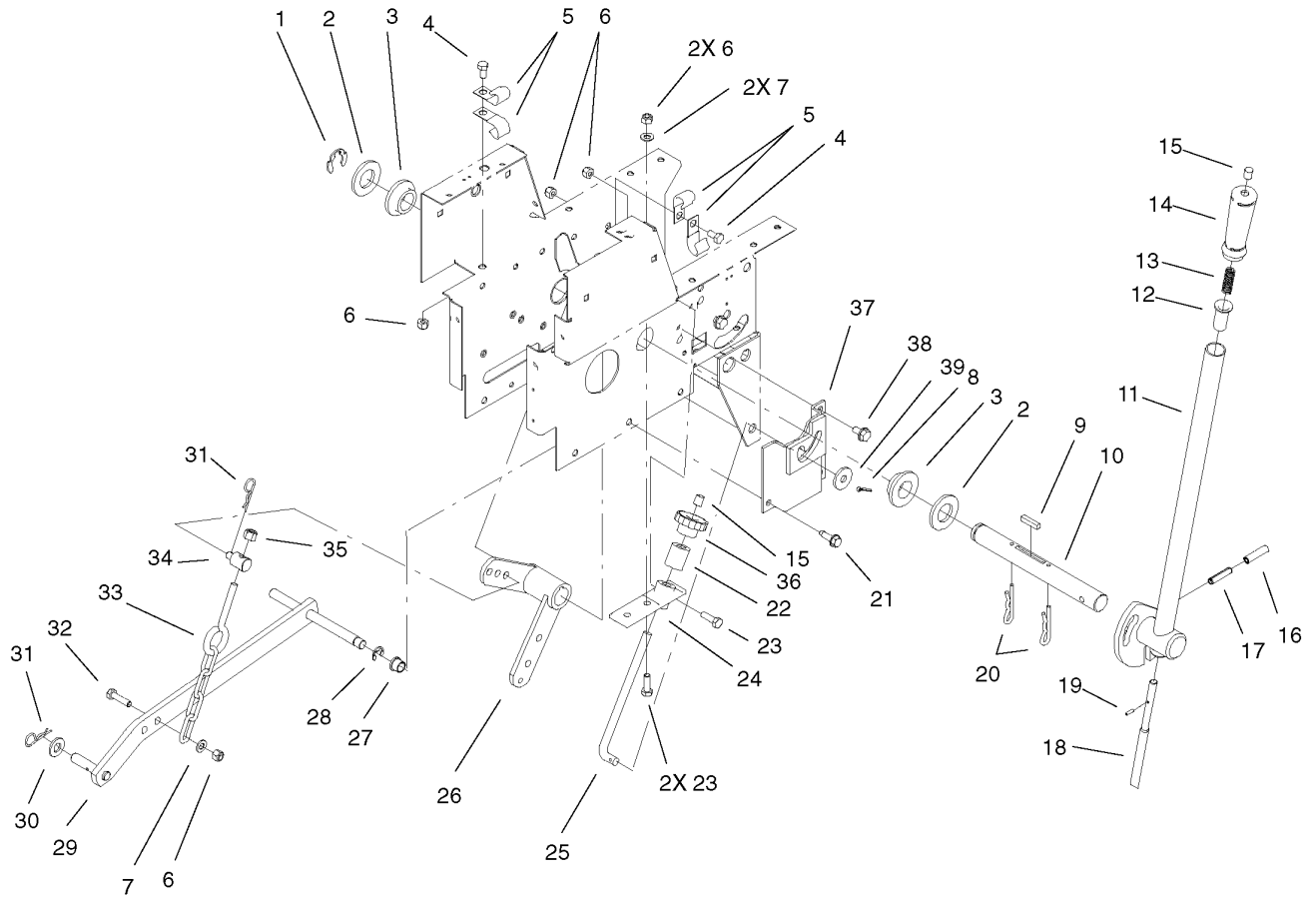
## Hoodstand and Console Assembly

Ref	Part No.	Qty.	Description
1	9108372	9	Screw-PPH
2	104-4324	1	Decal-Dash, Lower
3	104-2470-03	1	Plate-Hoodstand
4	322-5	2	Screw-HH
5	3256-23	2	Washer-Flat
6	9109484	6	Screw-PPH
7	95-7665-03	1	Bracket-Fender
8	32144-14	11	Screw-HWHTF
9	117343	2	Keeper-Latch
10	117432	4	Rivet-Pop
11	95-7670-03	1	Console
12	32144-41	1	Screw-Taptite
13	3256-4	1	Washer-Flat
14	111392	1	J-Clip
15	111510	1	Decal-Parking, Brake
16	99-8026-03	1	Plate-Shift
17	92-8946	1	Decal-Danger
18	99-8028	1	Spring-Shift Control
19	3256-22	1	Washer-Flat
20	111332	1	Switch
21	9157324	6	Nut-Hex
22	107069	4	Clip
23	106-9948-03	1	Hoodstand ASM
24	116000	4	Bolt-CARR

Ref	Part No.	Qty.	Description
25	3296-29	4	Nut-Lock, NI
26	78-3010-03	1	Support-Battery
27	88-2170-03	1	Bracket-Belt Support
28	106250-03	1	Cover-Dust
29	3290-354	1	Nut-Speed
30	99-8049-03	1	Bracket-Switch, Reverse
31	88-9931	1	Switch-Micro
32	147665	2	Screw-HH
33	95-7666	1	Bracket-Switch, Reed
34	3234-33	2	Screw-HHF
35	98-7249	2	Relay
36	3296-42	3	Nut-Lock, NI
37	99-5341	1	Decal-Console
38	107-9240	2	Decal-Classic Gt
39	3296-29	2	Nut-Lock, NI
40	111534	1	Decal-Shift Pattern
41	95-7669	1	Switch-Reed, Magnetic



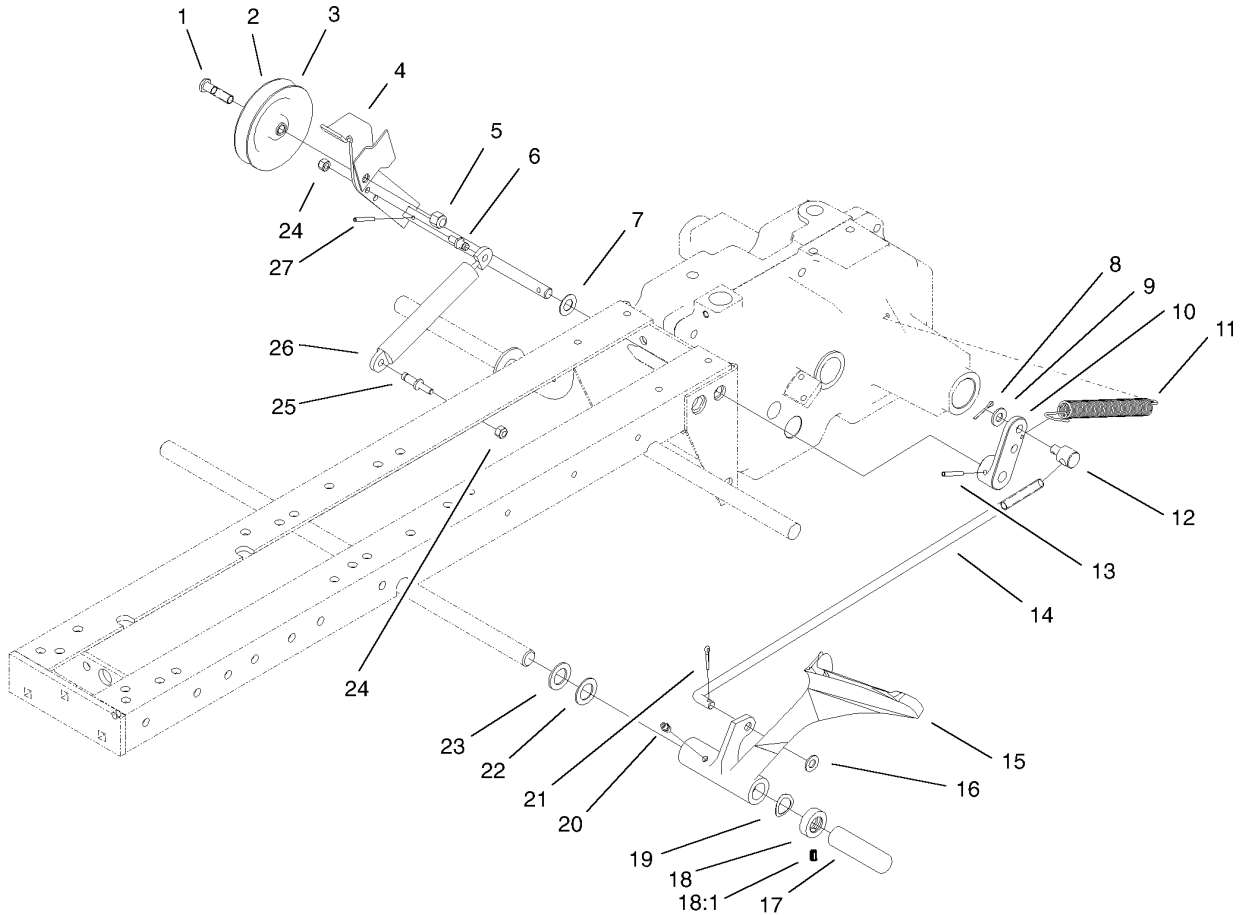




## Manual Lift Assembly

Ref	Part No.	Qty.	Description
1	32151-91	1	Ring-Retaining
2	3256-62	2	Washer-Flat
3	106269	2	Bearing-Flange
4	322-2	2	Screw-HH
5	8830	4	Clip
6	3296-29	6	Nut-Lock, NI
7	3256-23	3	Washer-Flat
8	3272-10	1	Pin-Cotter
9	1121	1	Key-Square
10	108565	1	Shaft-Lift Lever
11	108563-03	1	Lift Handle ASM
12	8130	1	Retainer-Spring
13	3624	1	Spring-Compression
14	92-6710	1	Grip-Handle
15	105316	2	Cap-Rod, Plunger
16	32121-103	1	Pin-Spring
17	32121-25	1	Pin-Roll
18	106257	1	Rod-Latch Lift
19	933148	1	Pin-Spirol
20	9335074	2	Pin-Hair
21	32144-41	2	Screw-Taptite
22	106258-03	1	Slev-Lift Adjs
23	322-5	3	Screw-HH
24	106345-03	1	Casting-Lift Lever

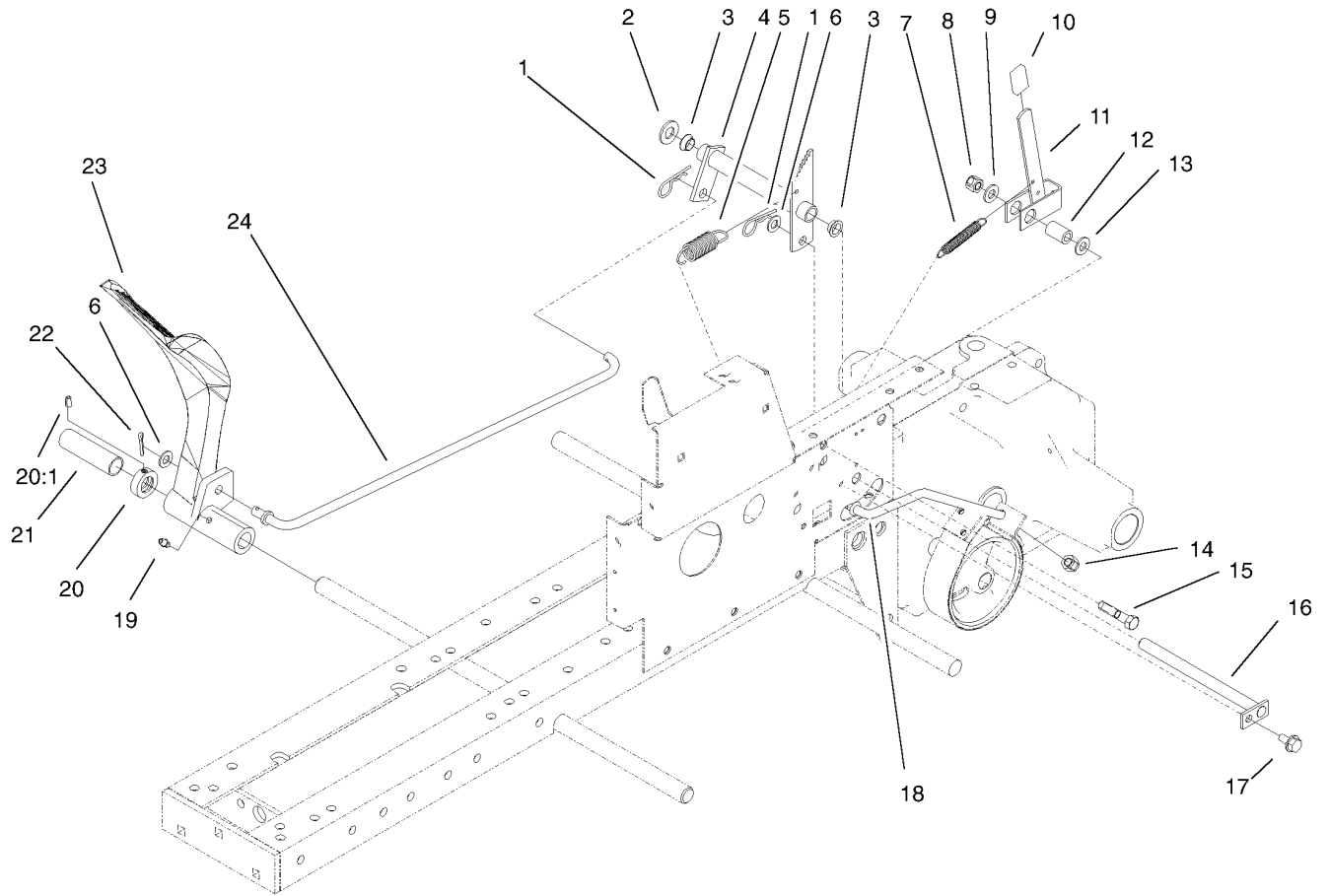
Ref	Part No.	Qty.	Description
25	110653	1	Rod-Height Control
26	78-1550	1	Lift Lever ASM
27	6229	1	Bushing
28	32120-47	1	Ring-Retaining, External
29	113445-03	1	Lift Bar ASM
30	3256-26	1	Washer-Flat
31	9335054	2	Pin-Hair
32	322-6	1	Screw-HH
33	106522	1	Chain-Lift
34	6739	1	Trunnion-Lift
35	3296-39	1	Nut-Lock, NI
36	5280	1	Knob-Lift Control
37	106411-03	1	Lift Lever ASM
38	32144-14	1	Screw-HWHTF
39	2844	1	Washer



## Clutch Assembly

Ref	Part No.	Qty.	Description
1	106193	1	Bolt-Special Hex
2	93-9808	1	Belt-V In
3	95-7668	1	Pulley-V, Idler
4	98-1746	1	Idlr Arm ASM
5	32146-2	1	Nut-Lock, Insert
6	104-5093	1	Pin-Damper, Clutch Arm
7	3765	1	Shim-Washer
8	3272-6	1	Pin-Cotter
9	3256-24	1	Washer-Flat
10	105896-03	1	Arm-Clutch Rod
11	108035	1	Spring-Clutch
12	101161	1	Trunnion
13	933190	1	Pin-Spirol
14	103347	1	Rod And Guide ASM
15	94-3703-01	1	Pedal-Brake, Clutch
16	920248	1	Washer-Nylon
17	94-6683	1	Sleeve-Protective
18	111383	1	Collar
18:1	3245-32	1	Screw-HSH
19	7896	1	Washer-Bowed
20	302-5	1	Fitting-Grease
21	3272-10	1	Pin-Cotter
22	1278	1	Washer
23	9202254	1	Washer

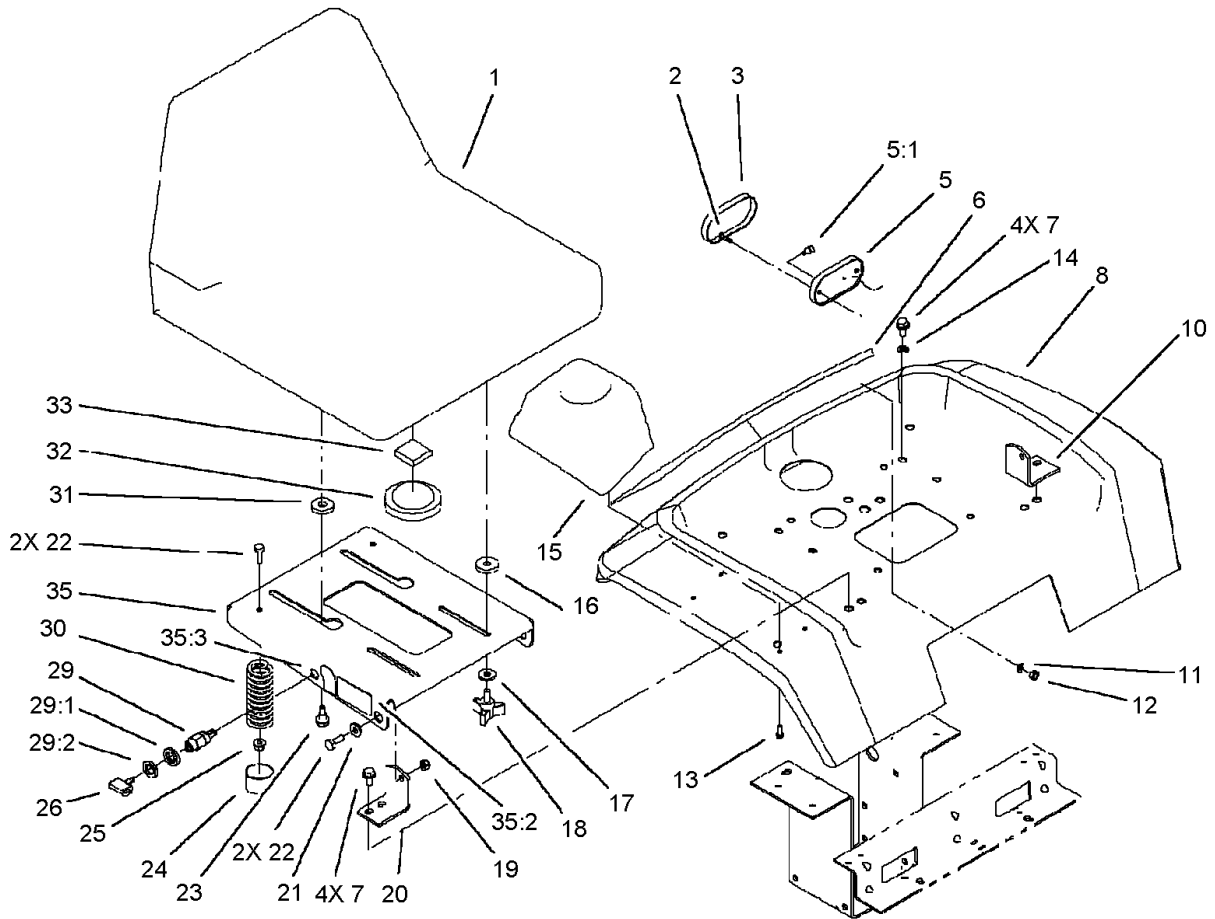
Ref	Part No.	Qty.	Description
24	3296-42	2	Nut-Lock, NI
25	104-5094	1	Pin-Damper, Classic Frame
26	100-8732	1	Damper-Gas
27	933267	1	Pin-Spirol



### Brake Assembly

Ref	Part No.	Qty.	Description
1	9335054	2	Pin-Hair
2	3256-26	1	Washer-Flat
3	7879	2	Bushing-Flanged
4	103543-03	1	Belcrank ASM
5	103628	1	Spring-Extension
6	920248	2	Washer-Nylon
7	107677	1	Spring-Brake
8	3296-39	1	Nut-Lock, NI
9	3256-24	1	Washer-Flat
10	6820	1	Grip
11	106451-03	1	Brake Lever ASM
12	102025	1	Spacer
13	3256-24	1	Washer-Flat
14	3296-39	1	Nut-Lock, NI
15	323-9	1	Screw-HH
16	106417	1	Rod ASM
17	32144-14	1	Screw-HWHTF
18	105900	1	Rod-Rear Brake
19	302-5	1	Fitting-Grease
20	111383	1	Collar
20:1	3245-32	1	Screw-HSH
21	94-6683	1	Sleeve-Protective
22	3272-10	1	Pin-Cotter
23	94-3706-01	1	Pedal-Brake, Gear

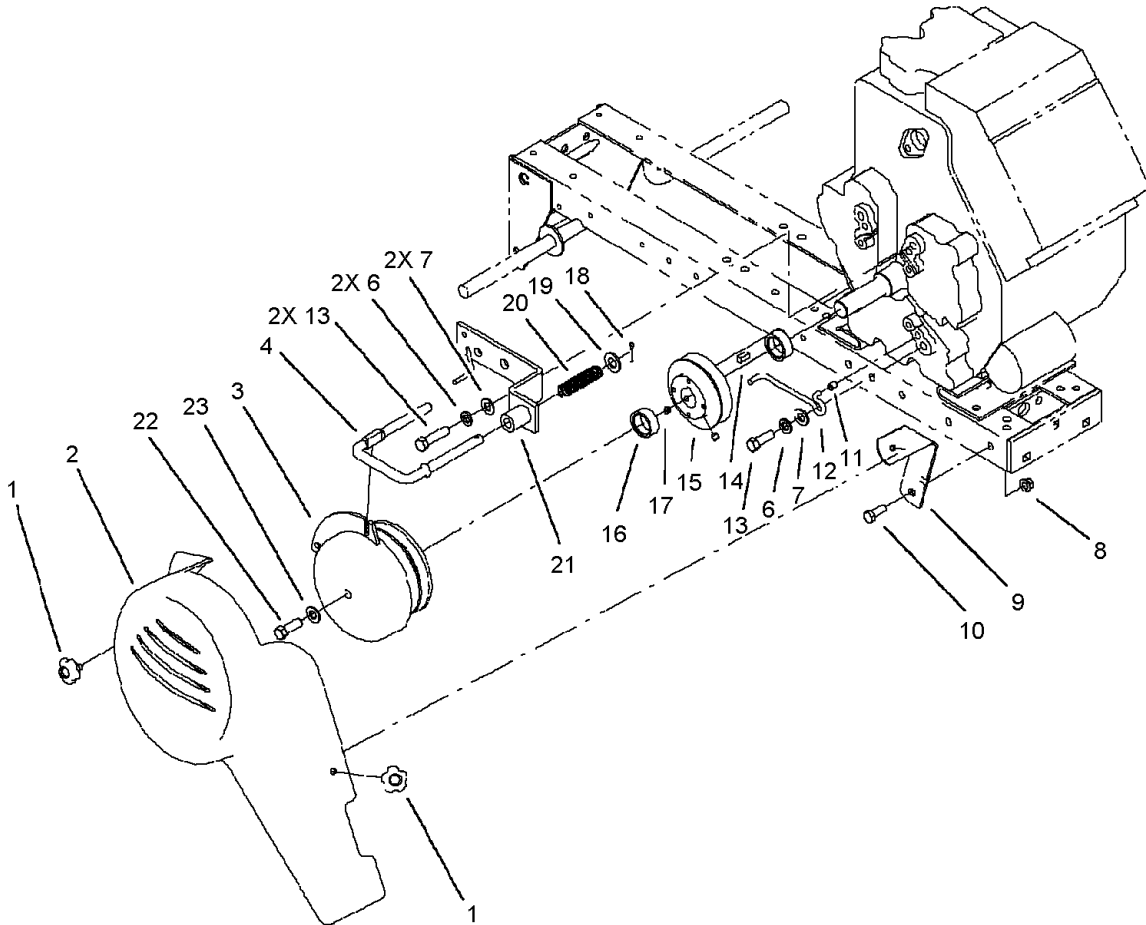
Ref	Part No.	Qty.	Description
24	92-6849	1	Rod-Brake



## Fender, Seat and Tail Light / Reflector Assembly

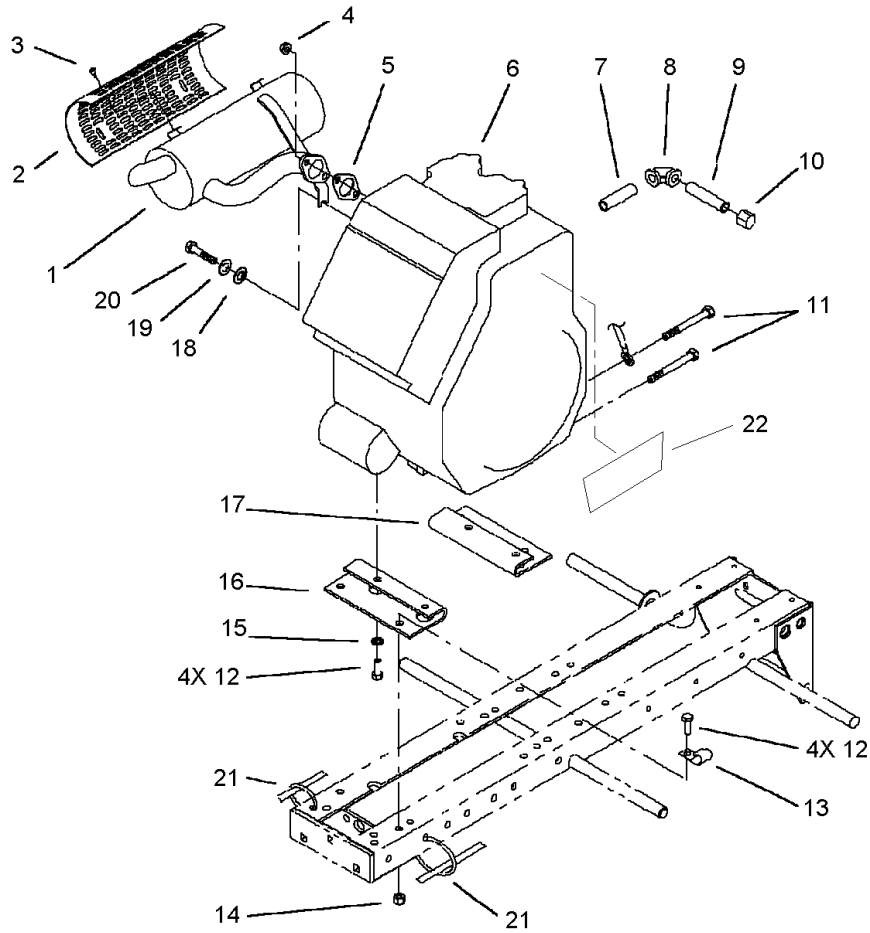
Ref	Part No.	Qty.	Description
1	104-2463	1	Seat
2	3250-31	4	Screw-PPH
3	112564	2	Lens-Tail Light
5	105202	2	Base-Tail Light
5:1	109045	2	Light Bulb
6	106-5846	1	Decal-Fender, Rear
7	32144-14	8	Screw-HWHTF
8	104-5077-01	1	Fender
10	79-0970-03	1	Bracket-Pivot, LH
11	3254-1	4	Washer-Lock, Int
12	3296-27	4	Nut-Lock, NI
13	32144-20	4	Screw-HHFTF
14	3255-8	1	Washer-Lock
15	104-0838	1	Holder-Cup
16	109989	2	Spacer-Nylon
17	94-2869	2	Washer
18	700806	2	Knob
19	3296-29	2	Nut-Lock, NI
20	79-0950-03	1	Bracket-Pivot, RH
21	105503	2	Bushing
22	322-4	4	Screw-HH
23	92-6986	2	Bolt-Shoulder
24	701178	2	Cap-Protector
25	3296-58	2	Nut-Lock, NI

Ref	Part No.	Qty.	Description
26	62-7770	1	Key-Ignition
29	46-5780	1	Switch-Starter
29:1	3254-5	1	Washer-Tooth
29:2	218-461	1	Nut-HH
30	92-7054	2	Spring-Compression
31	92-6750	2	Spacer-Nylon
32	100-3524	1	Switch-Seat
33	104-2488	1	Foam-Switch, Seat
35	104-5027	1	Support Seat ASM
35:2	99-2985	1	Decal-Danger
35:3	99-5339	1	Decal



## Electric Clutch and Cover Assembly

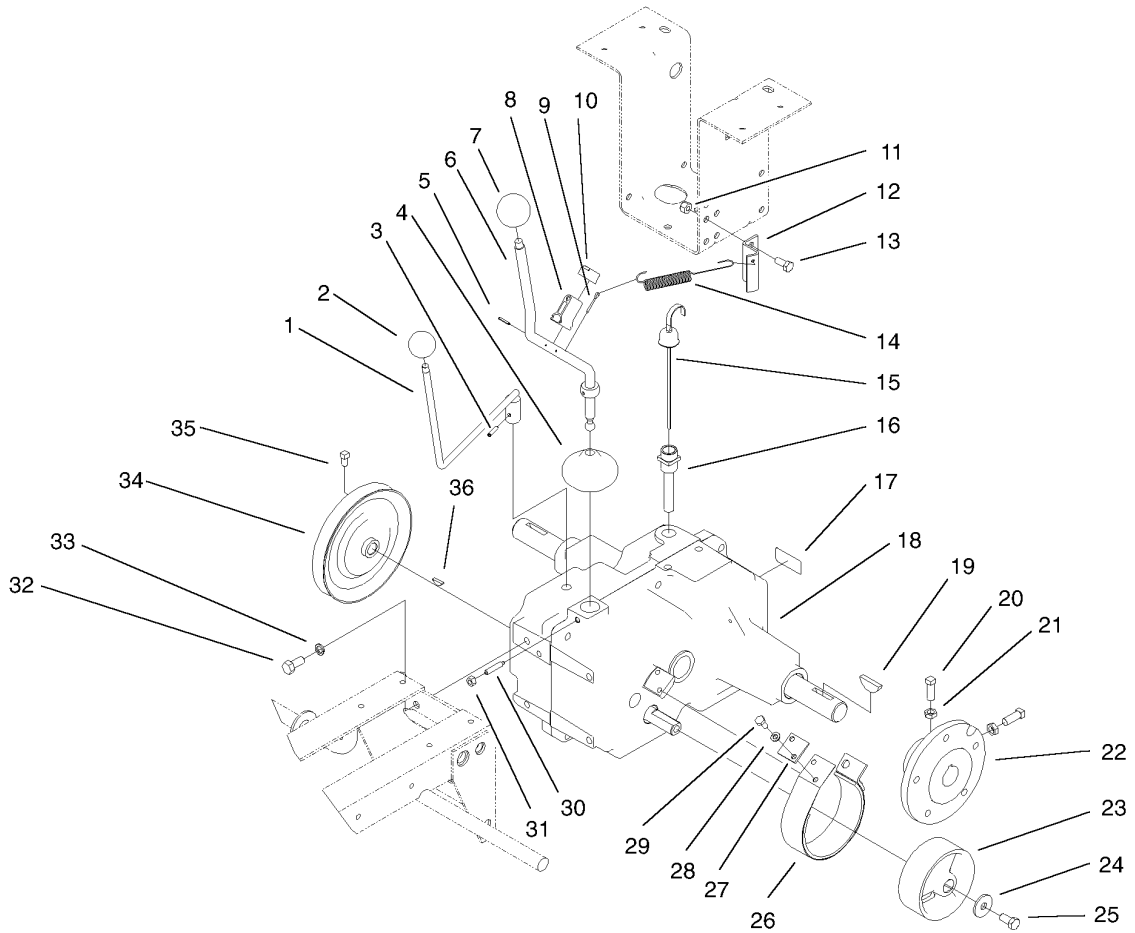
Ref	Part No.	Qty.	Description
1	105-1406	2	Knob
2	105-1483	1	Guard-Belt
3	104-2472	1	Clutch-Electric, Classic
4	104-4307	1	Rod-Stop, PTO
6	3253-6	3	Washer-Lock
7	3256-25	3	Washer-Flat
8	3290-357	1	Nut-HHF, Whiz
9	105-1407-03	1	Belt Cover Bracket ASM
10	323-6	1	Screw-HH
11	112841	1	Cap
12	98-1700	1	Wire-Guide, Belt
13	324-5	3	Screw-HH
14	105453	1	Key
15	7466	1	Pulley
16	100-3549	2	Spacer-Crankshaft
17	3246-2	2	Screw-Set, HSH
18	3272-10	1	Pin-Cotter
19	3256-26	1	Washer-Flat
20	95-4256	1	Spring-Compression
21	100-8739-03	1	PTO Stop ASM
22	94-7973	1	Screw-HH
23	3256-25	1	Washer-Flat

## Engine Assembly

Ref	Part No.	Qty.	Description
1	95-7662	1	Muffler
2	94-3738	1	Shield-Heat
3	9103312	4	Screw
4	92-6780	2	Nut-HF
5	92-6716	1	Gasket-Exhaust
2 56		1	Engine-Kohler, Ch15S-44533
7	289-51	1	Nipple
8	2811-16	1	Elbow-90 Degee
9	289-45	1	Nipple-Pipe
10	288-4	1	Cap-Pipe
11	M-0839070	2	Screw-HHF
12	323-6	8	Screw-HH
13	8830	1	Clip
14	3296-39	4	Nut-Lock, NI
15	3255-9	4	Washer-Lock
16	98-1731-03	1	Bracket-Engine Mounting, Front
17	98-1730-03	1	Bracket-Engine Mounting, Rear
18	3256-23	1	Washer-Flat
19	3253-4	1	Washer-Lock
20	24 086 45	1	Screw-HHF
21	3290-378	2	Tie-Cable
22	107-9248	1	Decal - 426 Cc

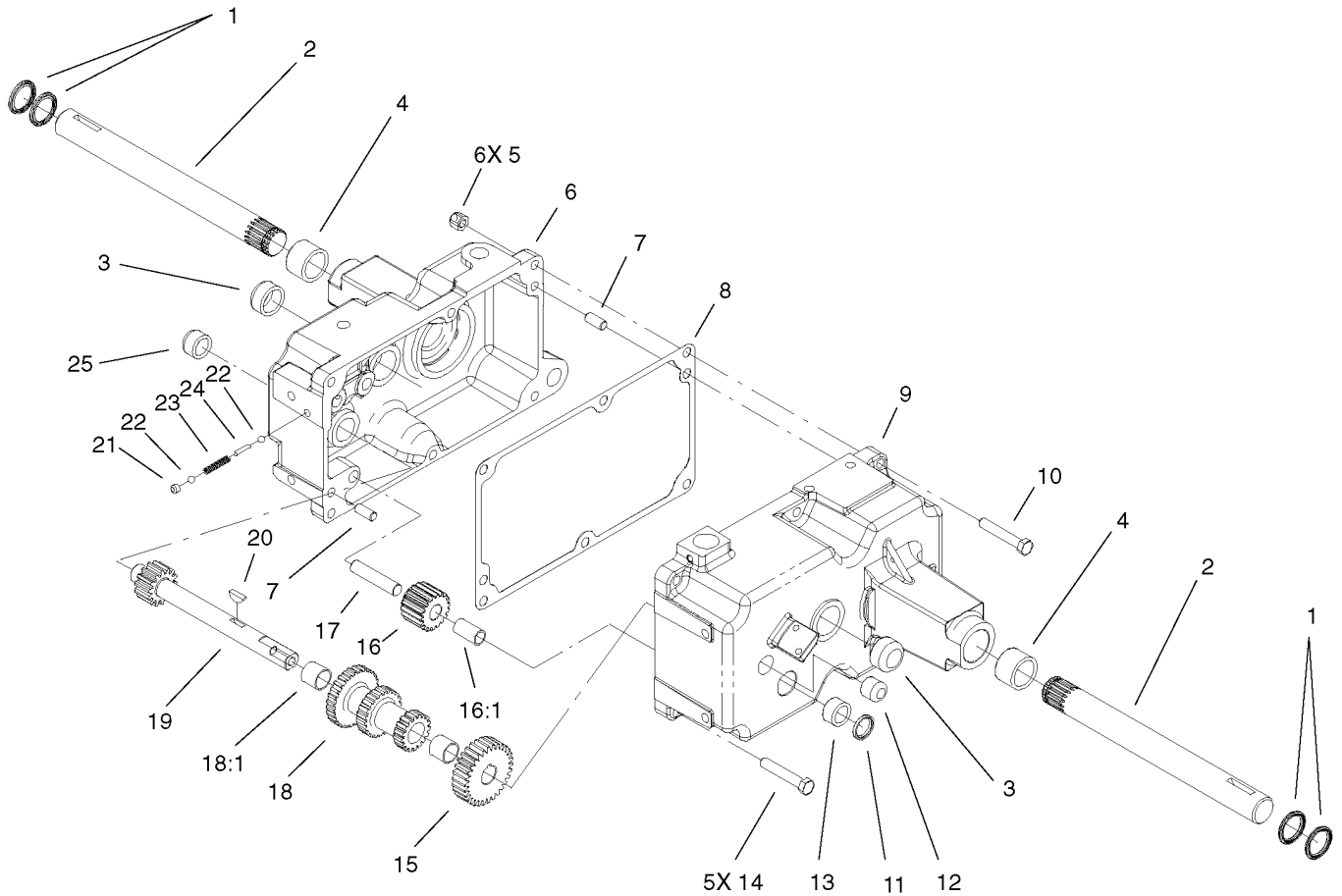
--	--	--	--



## Transaxle Assembly

Ref	Part No.	Qty.	Description
1	110727	1	Shift Rod ASM
2	83-2710	1	Knob
3	933184	1	Pin-Spirol
4	3577	1	Cover-Dust
5	32121-97	2	Pin
6	95-7684	1	Shift Rod ASM
7	108758	1	Knob
8	95-7683	1	Magnet Clip ASM
9	3272-6	1	Pin-Cotter
10	98-1748	1	Shield-Magnet
11	3296-29	2	Nut-Lock, NI
12	99-8029-03	1	Bracket-Spring
13	322-3	2	Screw-HH
14	110769	1	Spring-Extension
15	101847-03	1	Dipstick
16	102703	1	Nipple-Fill, Transmission
17	94-1834	1	Decal-Unidrive
18	94-6671	1	Transmission ASM
19	937108	2	Key-Woodruff
20	3243-5	4	Screw-Set, SQH
21	3218-3	4	Nut-Jam
22	105763-03	2	Hub-Wheel
23	106719	1	Drum-Brake
24	2844	1	Washer

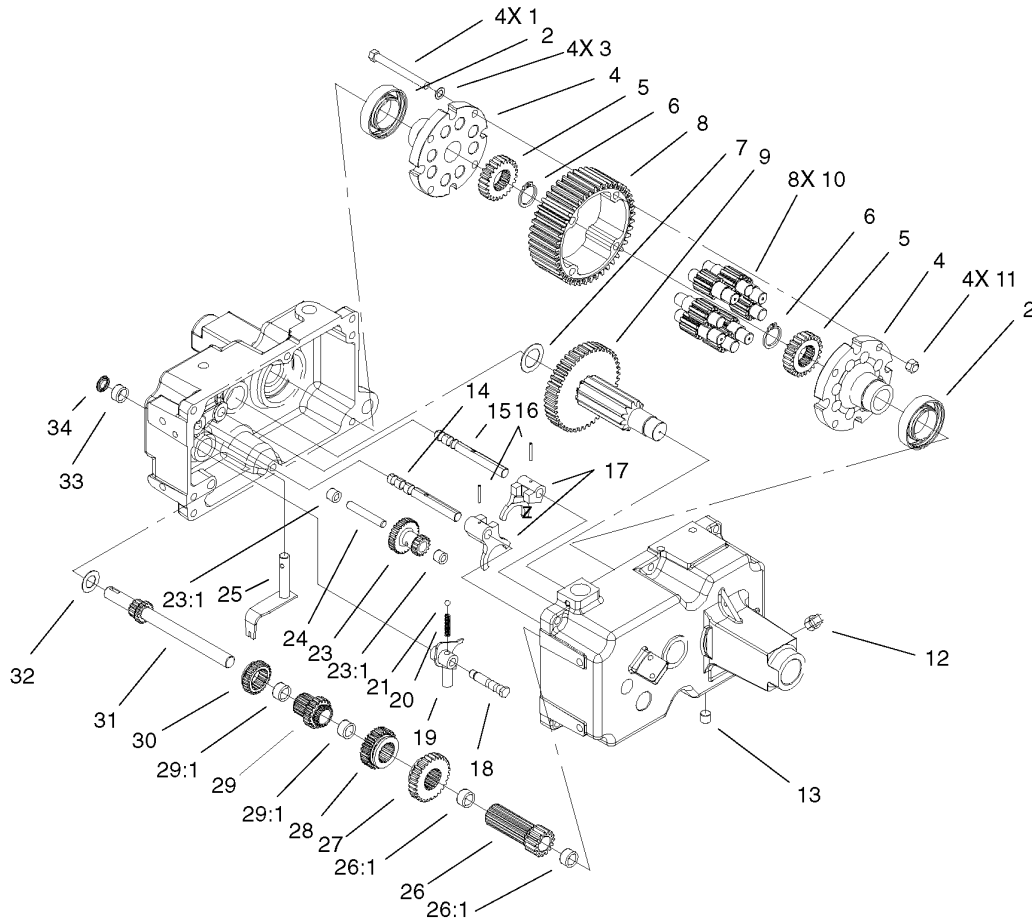
Ref	Part No.	Qty.	Description
25	110234	1	Screw-Hex HD Cap
26	9593	1	Brake Band ASM
27	94-6696-03	1	Plate-Brake
28	3253-3	2	Washer-Lock
29	321-3	2	Screw-HH
30	1239	1	Setscrew
31	3217-5	1	Nut-Hex
32	323-5	4	Screw-HH
33	3253-21	4	Washer-Lock
34	106165	1	Pulley-Transmission
35	3242-2	1	Screw-SQH
36	937221	1	Key-Hi Pro



## Transmission Case Assembly

Ref	Part No.	Qty.	Description
1	100443	4	Seal-Oil
2	105875	2	Axle-Rear
3	1532	2	Bearing-Needle
4	9416	2	Bearing
5	3296-39	6	Nut-Lock, NI
6	111200-01	1	Case-RH Trans
7	3915	2	Pin-Dowel
8	3912	1	Gasket-Transmission
9	95-5143-01	1	Case-Trans LH
10	323-16	1	Screw-HH
11	100441	1	Seal-Oil
12	83-2890	1	Bearing-Needle
13	1523	1	Bearing-Needle
14	323-11	5	Screw-HH
15	3527	1	Gear-Cluster Shaft
16	4204	1	Gear/Bushing ASM-Reverse Idler
17	3909	1	Pin-Differential
18	7269	1	Gear-Cluster
19	83-3530	1	Shaft-Cluster
20	937089	1	Key-Woodruff
21	1243	1	Cup-Plug
22	3517	2	Ball-Detent
23	106030	1	Spring-Shift Stop
24	5614	1	Pin-Shift

Ref	Part No.	Qty.	Description
25	1529	1	Bearing-Needle



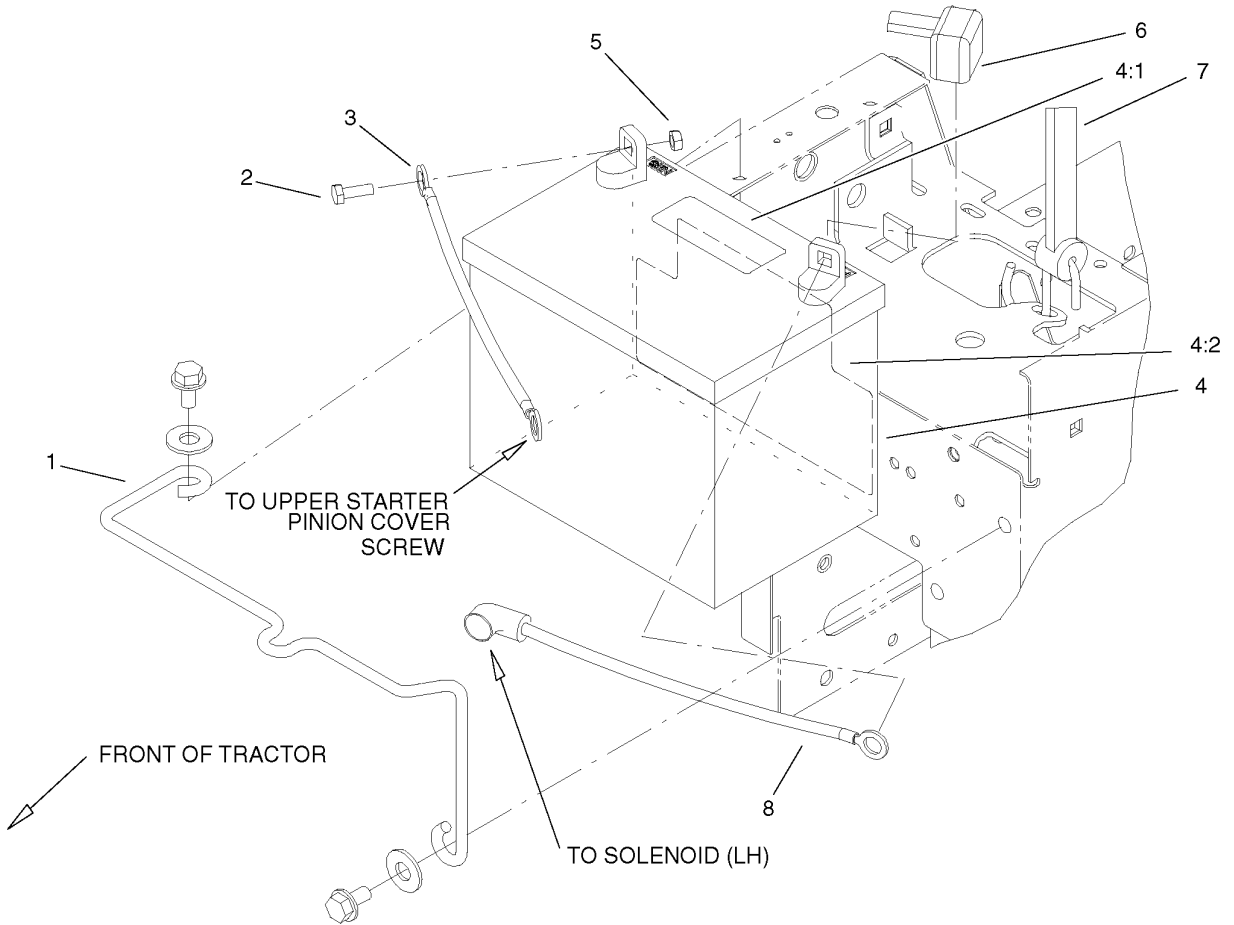
## Transmission Gear Assembly

Ref	Part No.	Qty.	Description
1	911423	4	Bolt-Hex
2	111199	2	Bearing-Ball
3	107374	4	Washer
4	111196	2	End Cap-Differential
5	101889	2	Gear-Axle Differential
6	105876	2	Ring-Snap
7	9547	1	Washer-Thrust
8	105061	1	Gear-Differential Ring, 43T
9	102974	1	Gear ASM
10	101623	8	Gear-Pinion, 11T
11	108881	4	Nut
12	281-2	1	Plug-Pipe, SQH
13	99-8551	1	Plug-Pipe
14	5615	1	Rail-Shift
15	5616	1	Rail-Rear Shift
16	933156	2	Pin-Roll
17	3503	2	Fork-Shift
18	7213	1	Bolt-Detent
19	116636	1	Shift Fork ASM
20	106030	1	Spring-Shift Stop
21	3517	1	Ball-Detent
23	100-1338	1	ASM-Gear Reduction
23:2	7207	2	Bearing-Needle
24	7208	1	Gear-Shaft Reduction

Ref	Part No.	Qty.	Description
25	7214	1	Shift ASM
26	5175	1	Gear
26:2	1518	2	Bearing-Needle
27	5174	1	Gear-Low And Reverse
28	5173	1	Gear-Hi And 2Nd
29	7204	1	Gear
29:2	1518	2	Bearing-Needle
30	7205	1	Gear-Sliding
31	7201	1	Shaft-Input
32	7418	1	Washer-Thr
33	1542	1	Bearing-Needle
34	100442	1	Seal-Oil

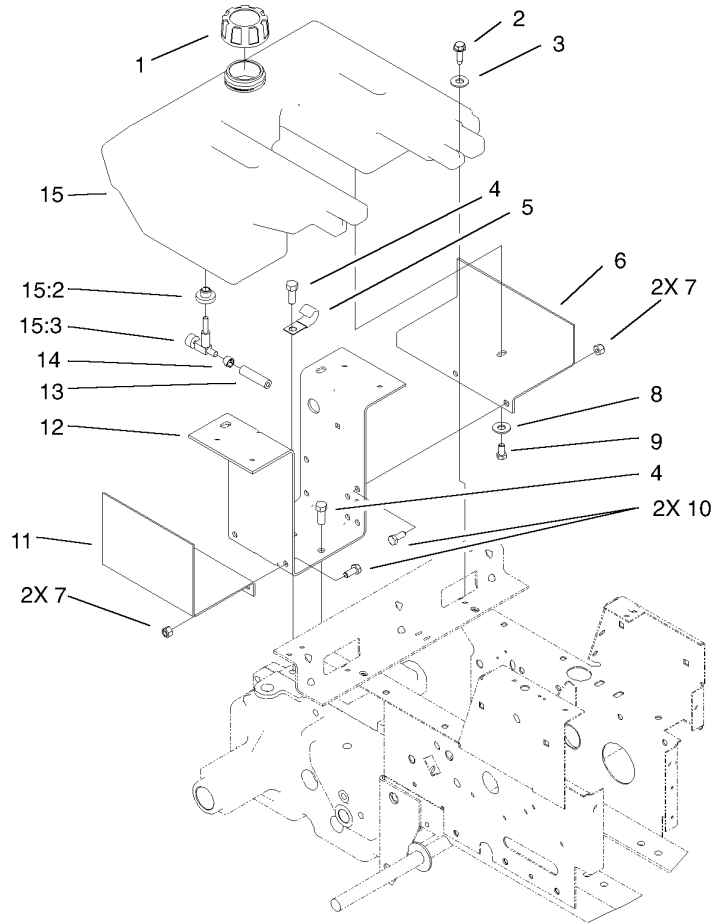






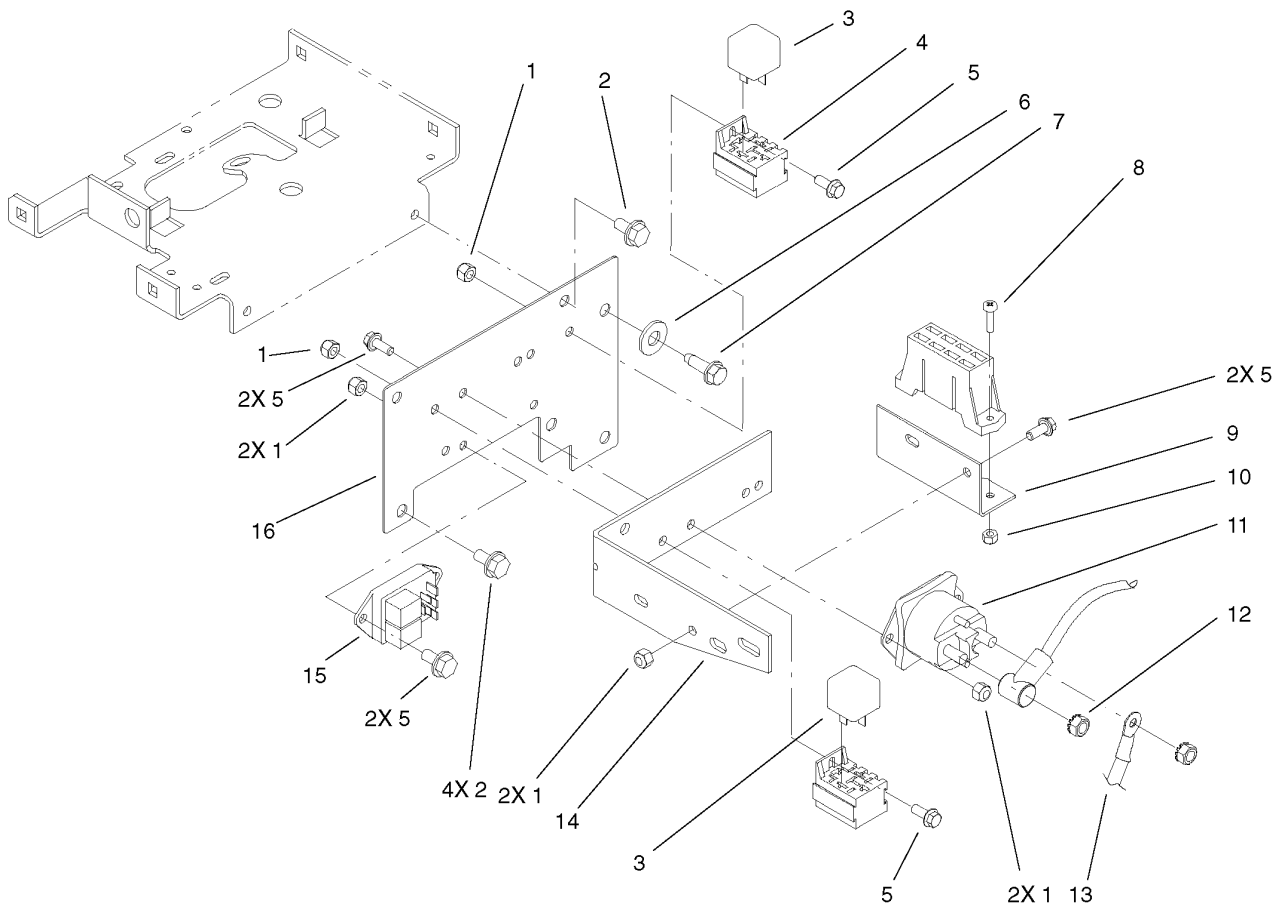
## Battery Assembly

Ref	Part No.	Qty.	Description
1	104-0847	1	Rod-Battery
2	321-4	2	Screw-HH
3	95-7654	1	Cable
4	104-2493	1	Battery
4:1	104-4163	1	Decal-Battery
4:2	104-5091	1	Decal-Battery
5	3296-42	2	Nut-Lock, NI
6	28-8080	1	Boot-Terminal
7	104-2466	1	Holddown-Battery
8	100-3539	1	Cable-Battery, Positive

### Fuel Tank Assembly

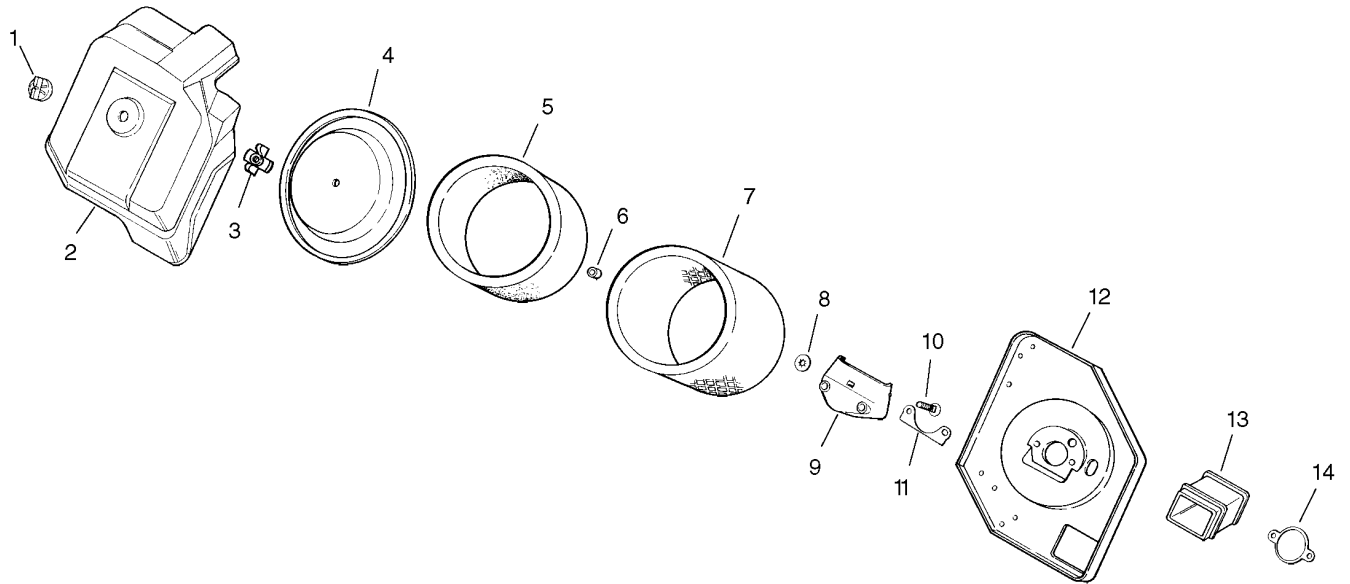
Ref	Part No.	Qty.	Description				
1	55-3570	1	Gas Cap ASM				
2	9266974	2	Screw-HWHTF				
3	3256-4	2	Washer-Flat				
4	3235-22	2	Screw-HH, Lock				
5	8830	1	Clip				
6	94-6693-03	1	Bracket-Support				
7	3296-29	4	Nut-Lock, NI				
8	3253-4	2	Washer-Lock				
9	322-2	2	Screw-HH				
10	322-3	4	Screw-HH				
11	94-6692-03	1	Bracket-Support				
12	79-4990-03	1	Support-Fender				
13	92-9514	1	Hose-Fuel				
14	2412-98	2	Clamp				
15	106234	1	Tank-Fuel				
15:2	104048	1	Valve-Fuel				
15:3	104047	1	Bushing				



## Hoodstand Electrical Mounting Assembly

Ref	Part No.	Qty.	Description
1	3296-42	8	Nut-Lock, NI
2	32144-14	5	Screw-HWHTF
3	98-7249	2	Relay
4	100-8738	1	Harness-Wire
5	3234-33	8	Screw-HHF
6	3256-4	1	Washer-Flat
7	32144-41	1	Screw-Taptite
8	9107944	2	Screw-Pan
9	117331-03	1	Fuse Holder
10	3296-2	2	Nut-Lock
11	28-4210	1	Solenoid
12	32149-1	2	Nut-Keps
13	100-3540	1	Cable-Battery, Positive
14	100-6090-03	1	Bracket-Belt
15	99-3701	1	Module-Clutch
16	100-6091-03	1	Plate-Hoodstand, Front



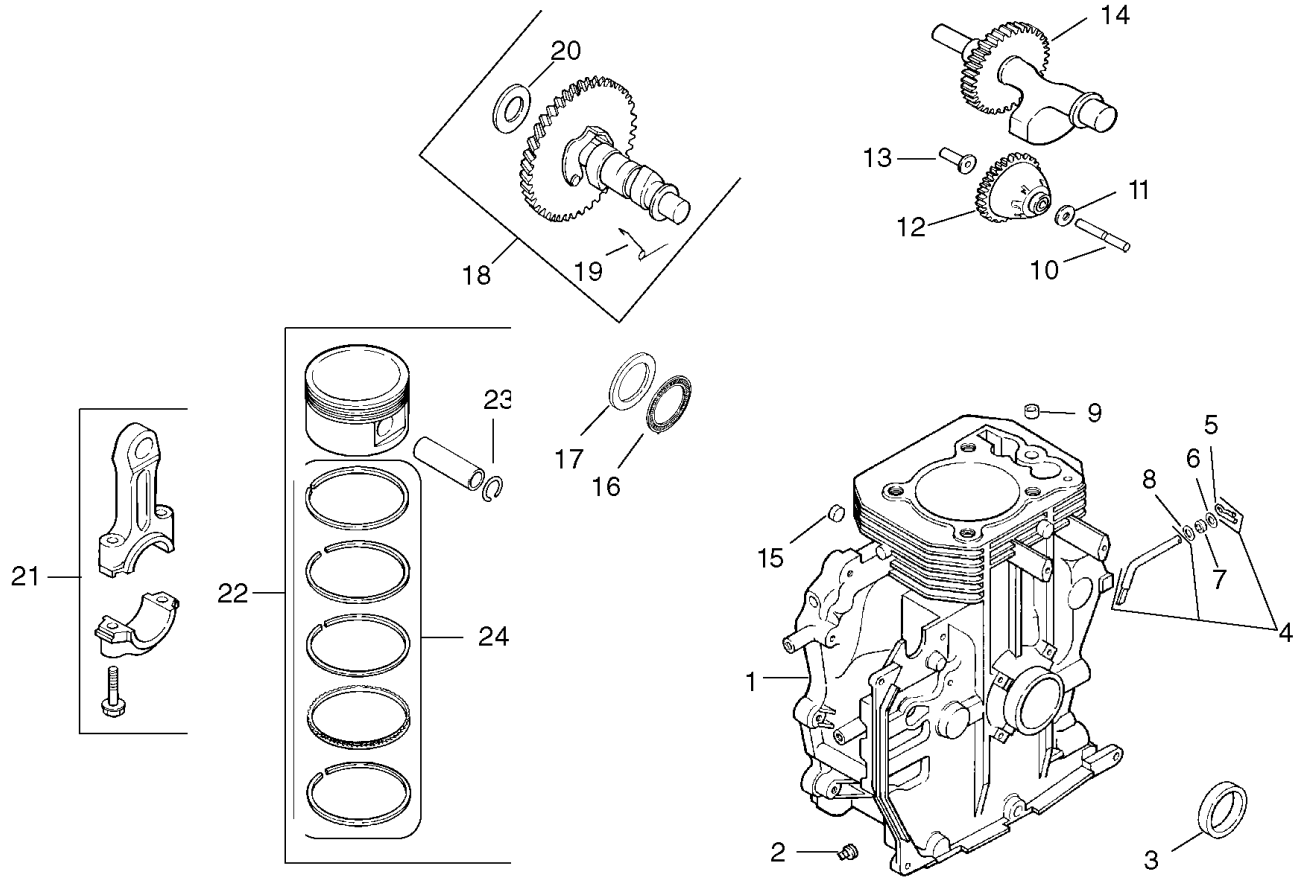



## Air Intake / Filtration Assembly Kohler CH15S-44533

Ref	Part No.	Qty.	Description
❶	25 341 03-S	1	Knob-Cover
❷	12 096 41-S	1	Cover-Air Cleaner Base
❸	12 100 08-S	1	Nut-Wing
❹	12 096 37-S	1	Cover-Air Cleaner Element
❺	52 083 01-S	1	Precleaner-Element
❻	24 032 03-S	1	Seal-Inner Air Cleaner
❼	47 083 01-S	1	Element-Air Cleaner
❽	12 018 04-S	1	Retainer-Ring
❾	12 109 08-S	1	Cup-Fuel, Spit-Back
❿	12 211 02-S	1	Bolt-Round Head, Square Neck
⓫	12 041 09-S	1	Gasket-Collector, Plate
⓬	12 094 06-S	1	Base-Air Cleaner
⓭	12 123 07-S	1	Tube-Air Intake
⓮	12 041 02-S	1	Gasket-Base, Air Cleaner

--	--	--	--

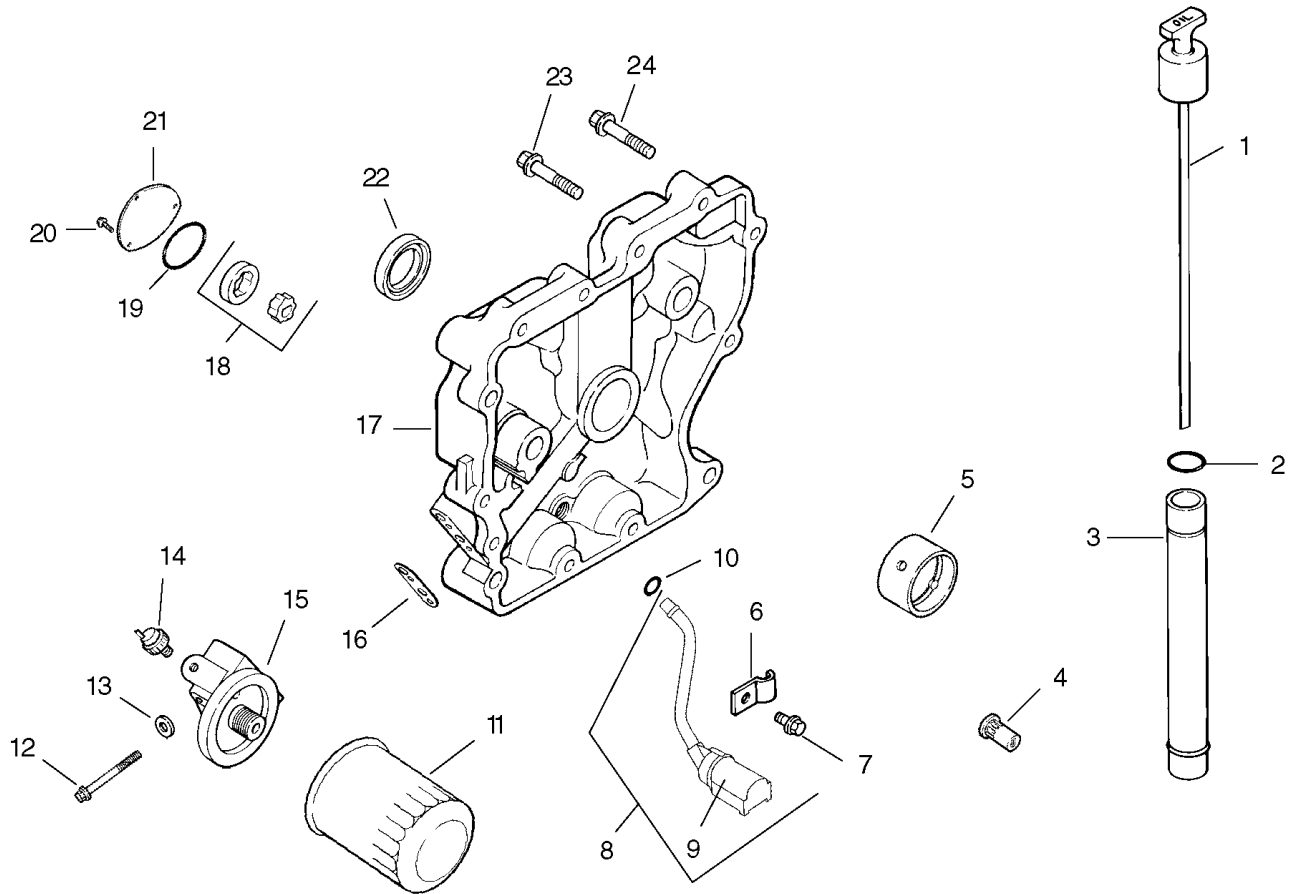




## Crankcase Assembly Kohler CH15S-4453

Ref	Part No.	Qty.	Description
❶1	N/A	1	Short Block
❶2	25 139 57-S	2	Plug-Square Head Solid (.38)
❶3	12 032 03-S	1	Seal-Oil
❶4	12 755 64-S	1	Governor Cross Shaft Kit (Includes 5)
❶5	12 154 05-S	1	Clip-Pin, Hitch
❶6	M-631015-S	1	Washer-Flat (6Mm)
❶7	12 032 01-S	1	Seal-Cross Shaft, Governor
❶8	X-25-102-S	1	Washer-Flat (1/4)
❶9	24 380 13-S	4	Pin-Locating
❶10	12 144 02-S	1	Shaft-Gear, Governor
❶11	M-631005-S	1	Washer-Plain (6 Mm)
❶12	12 043 05-S	1	Gear-Governor
❶13	12 380 01-S	1	Pin-Regulating, Governor
❶14	12 144 26-S	1	Shaft-Balance
❶15	52 139 09-S	1	Plug-Cup
❶16	24 030 08-S	1	Bearing-Thrust
❶17	24 422 04-S	1	Shim-Thrust, 0.48-0.52 Mm
❶	24 422 05-S	1	Shim-Thrust, 0.667-0.715 Mm
❶18	12 755 49-S	1	Camshaft Kit (Includes 19, 20)
❶19	12 089 31-S	1	Spring-Actuating
❶20	12 422 08-S	0	Shim-Camshaft (Blue .03)
❶	12 422 09-S	0	Shim-Camshaft (Red .032)
❶	12 422 10-S	1	Shim-Camshaft (Yellow .034)

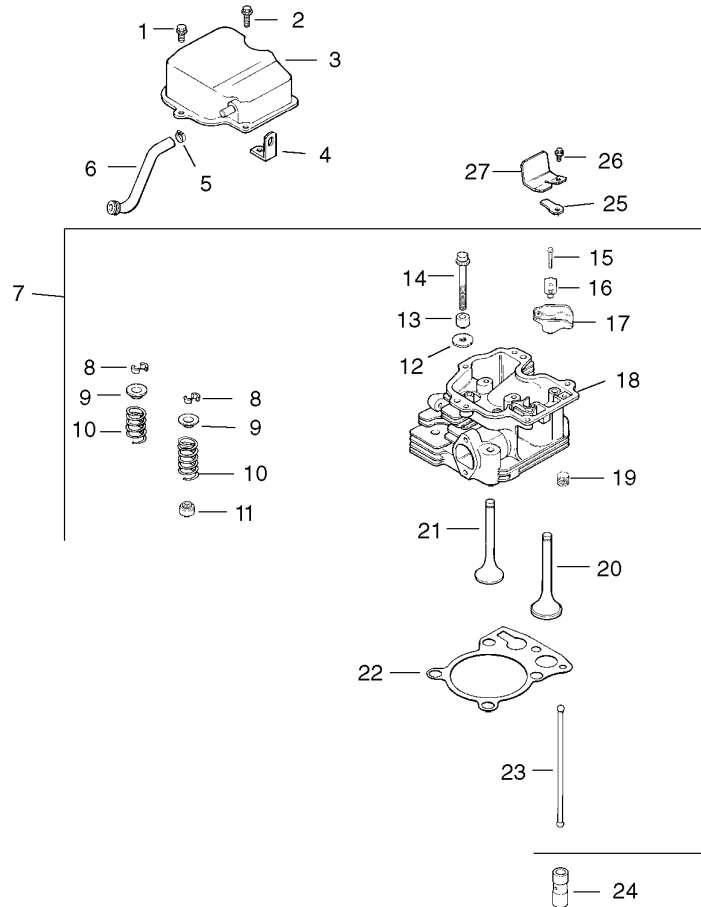
Ref	Part No.	Qty.	Description
❶	12 422 11-S	0	Shim-Camshaft (Green .036)
❶	12 422 12-S	0	Shim-Camshaft (Gray .038)
❶	12 422 13-S	0	Shim-Camshaft (Black .04)
❶	12 422 07-S	0	Shim-Camshaft (White .028)
❶21	12 067 05-S	1	Rod-Connecting (STD)
❶	12 067 06-S	1	Rod-Connecting (.25)
❶22	12 874 07-S	1	Piston W/Ring Set (STD.) (Includes 23, 24)
❶	12 874 08-S	1	Piston W/Ring Set (.25)
❶	12 874 09-S	1	Piston W/Ring Set (.50)
❶	12 874 11-S	1	Piston W/Ring Set (.08)
❶23	12 108 07-S	1	Ring Set (STD. And .08)
❶	12 108 08-S	1	Ring Set (.25)
❶	12 108 09-S	1	Ring Set (.50)
❶24	12 018 02-S	2	Retainer-Pin, Piston



## Oil Pan / Lubrication Assembly Kohler CH15S-44533

Ref	Part No.	Qty.	Description
❶	47 038 26-S	1	Dipstick ASM
❷	41 153 01-S	1	O-Ring-Lower Oil Fill Tube
❸	24 123 11-S	1	Tube-Oil Fill
❹	25 462 09-S	1	Valve-Relief, Oil Pressure
❺	12 030 05-S	1	Bearing-Thrust
❻	52 154 01-S	1	Clip-Oil Tube
❼	M-545016-S	1	Screw-HHFTF (M5X0.8X16)
❽	12 755 73-S	1	Oil Pick Up Kit (Includes 9)
❾	25 381 01-S	1	Screen-Oil Pick-Up
❿	12 153 04-S	1	O Ring-Oil Pick-Up
⓫	52 050 02-S	1	Filter-Oil
⓬	M-651060-S	2	Screw-Hex Flange, M6X1.0X60
⓭	X-25-12-S	2	Washer-Plain, 1/4In
⓮	25 099 24-S	1	Switch-Pressure
⓯	12 029 01-S	1	Adapter-Filter, Oil
⓰	12 041 07-S	1	Gasket-Oil Filter Adapter
⓱	12 009 36-S	1	Closure Plate ASM (Includes 4, 5, 18-21)
⓲	12 393 01-S	1	Oil Pump ASM
⓳	12 153 05-S	1	O Ring-Oil Pump
⓴	M-545016-S	3	Screw-HHFTF (M5X0.8X16)
⓵	12 096 21-S	1	Cover-Oil Pump
⓶	12 032 03-S	1	Seal-Oil
⓷	24 086 16-S	11	Screw-HF (M8X1.25X45)

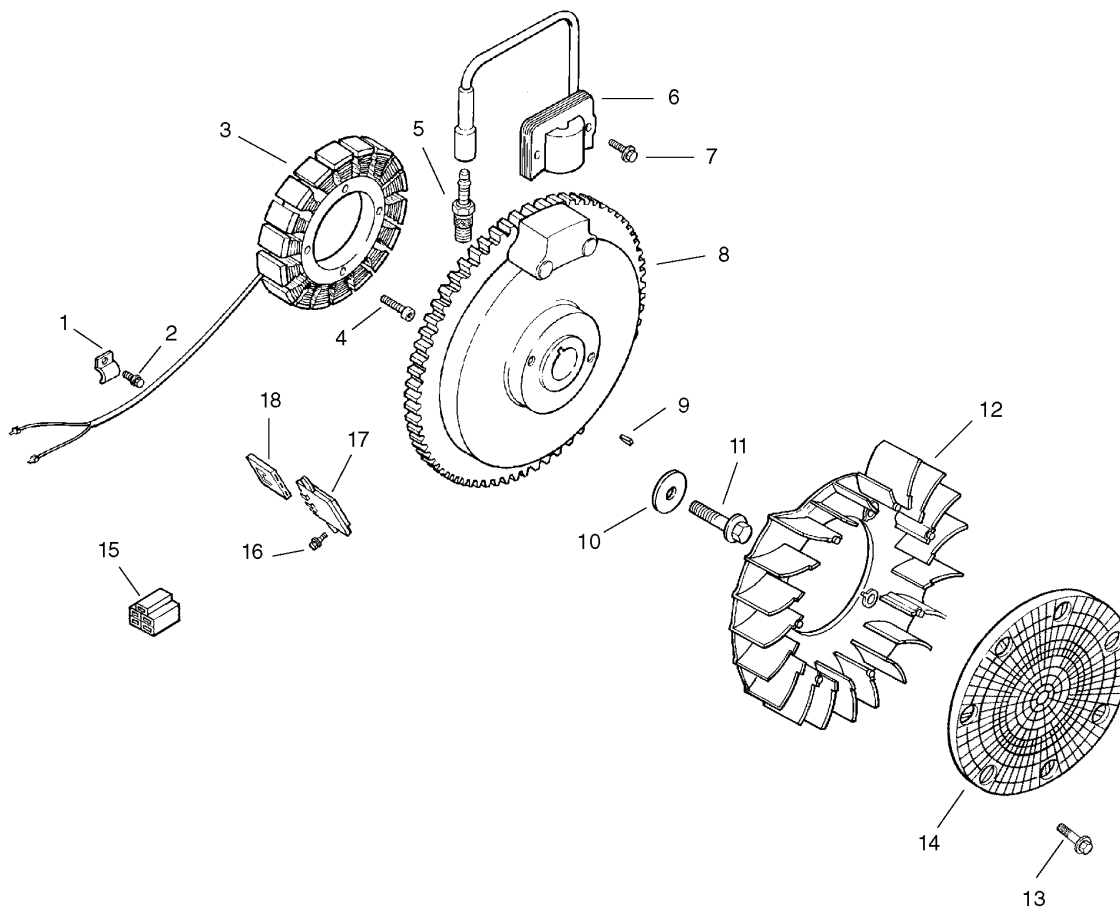
Ref	Part No.	Qty.	Description
❷❹	24 086 17-S	1	Screw-HF (M8X1.25X45)
❶❶	25 113 05-S	1	Decal-Sentry, Oil



## Head / Valve / Breather Assembly Kohler CH15S-44533

Ref	Part No.	Qty.	Description
❶	M-645020-S	4	Screw-Flange, Hex (M6X1.0X20)
❷	M-645025-S	1	Screw-HF (M6X1.0X25)
❸	12 096 07-S	1	Cover-Valve W/Nipple
❹	12 445 05-S	1	Strap-Lifting
❺	25 237 14-S	1	Clamp-Hose
❻	12 326 09-S	1	Hose-Breather
❼	12 755 81-S	1	Cylinder Head Kit (Includes 8-23, 12 041 01 Gasket (2), 12 041 02 Gasket, And 12 041 03 Gasket)
❽	12 755 03-S	2	Retainer Kit
❾	12 173 01-S	2	Cap-Spring, Valve
❿	12 089 34-S	2	Spring-Valve
⓫	66 032 05-S	2	Seal-Stem, Valve
⓬	12 468 05-S	1	Washer-Flat (1/2)
⓭	12 112 13-S	1	Spacer-Head Bolt (Exhaust Port)
⓮	12 086 15-S	5	Screw, M10X1.5X81
⓯	M-640034-S	2	Screw-HF (M6X1.0X34)
⓰	12 599 03-S	2	Pivot-Arm, Rocker
⓱	25 186 01-S	2	Arm-Rocker
⓲	12 318 19-S	1	Head-Cylinder
⓳	25 139 60-S	1	Plug-Hex, Countersunk (.125)
⓴	12 017 01-S	1	Valve-Intake (STD)
⓵	12 016 01-S	1	Valve-Exhaust (STD)
⓶	12 041 10-S	1	Gasket-Head, Cylinder

Ref	Part No.	Qty.	Description
⓷	12 411 01-S	2	Rod-Push
⓸	25 351 01-S	2	Lifter-Valve
⓹	12 402 02-S	1	Reed-Breather
⓺	M-545010-S	1	Screw-HHFTF (M5X0.8X10)
⓻	12 018 01-S	1	Retainer-Reed, Breather
⓼	12 041 01-S	2	Gasket-Carburetor
⓽	12 041 02-S	1	Gasket-Base, Air Cleaner
⓾	12 041 03-S	1	Gasket-Manifold, Exhaust
⓿	12 017 02-S	1	Valve-Intake (.25)
⓿	12 016 02-S	1	Valve-Exhaust (.25)



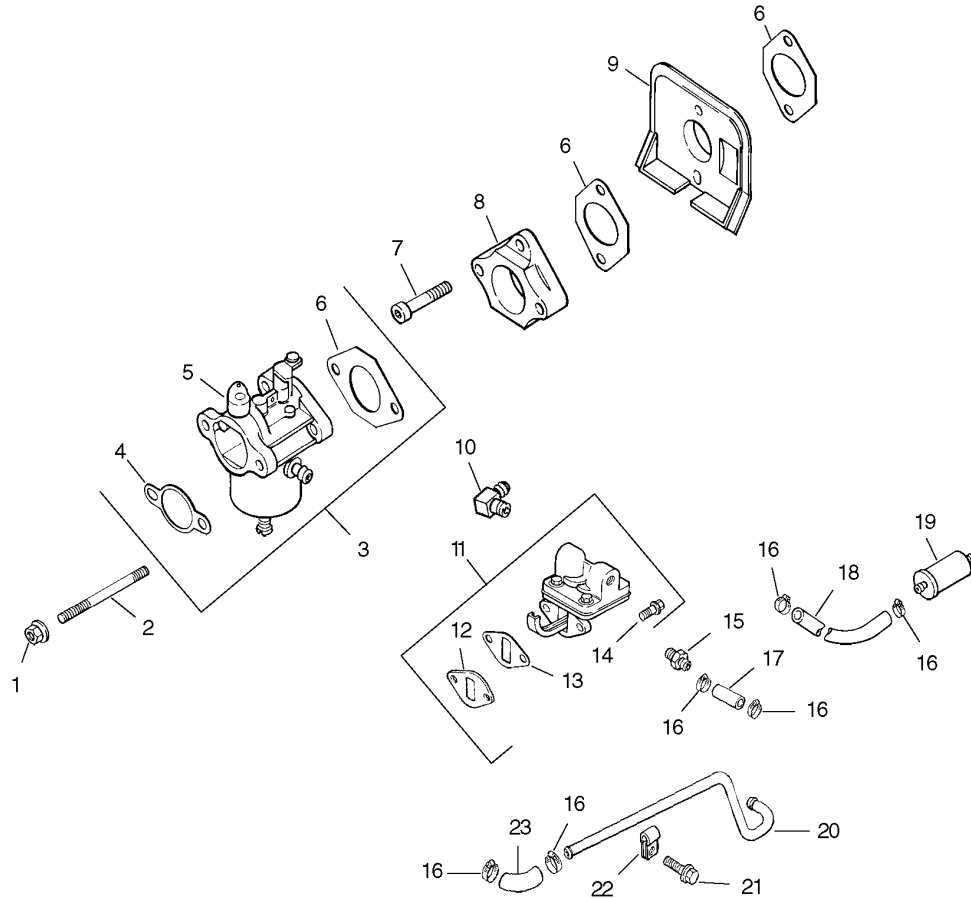
## Ignition / Electrical Assembly Kohler CH15S-44533

Ref	Part No.	Qty.	Description
❶	X-728-1-S	2	Clip
❷	M-545010-S	2	Screw-HHFTF (M5X0.8X10)
❸	237878-S	1	Stator Kit-15 Amp (Includes Terminal 25 452 01)
❹	M-548025-S	2	Screw-HHFTF (M5X0.8X25)
❺	12 132 02-S	1	Spark Plug
❻	12 584 04-S	1	Module-Ignition
❼	M-545020-S	2	Screw-HHFTF (M5X0.8X20)
❽	12 025 33-S	1	Flywheel
❾	X-42-15-S	1	Key (.19 X .62)
❿	12 468 03-S	1	Washer-Flat (.38)
⓫	12 086 14-S	1	Screw-Hex, Flange (M10X1.5X45)
⓬	12 157 06-S	1	Fan
⓭	25 086 47-S	4	Bolt-Shoulder (M6X1.0X16)
⓮	12 162 03-S	1	Screen-Grass
⓯	48 155 01-S	1	Connector (5 Contact)
⓰	M-639016-S	2	Screw-HF (M6X1.0X16)
⓱	41 403 09-S	1	Rectifier-Regulator
⓲	236602-S	1	Connector (3 Contact)
⓳	25 452 01-S	2	Terminal
⓴	X-22-11-S	1	Washer-Lock, Internal Tooth (1/4)
⓵	24 518 12-S	1	Lead-Black

Ref	Part No.	Qty.	Description
⓶	25 518 05-S	1	Lead-Black, Rectifier To Connector (5In, 14 Gauge, Uninsulated Push On Tab Terminals)
⓷	12 518 01-S	1	Lead



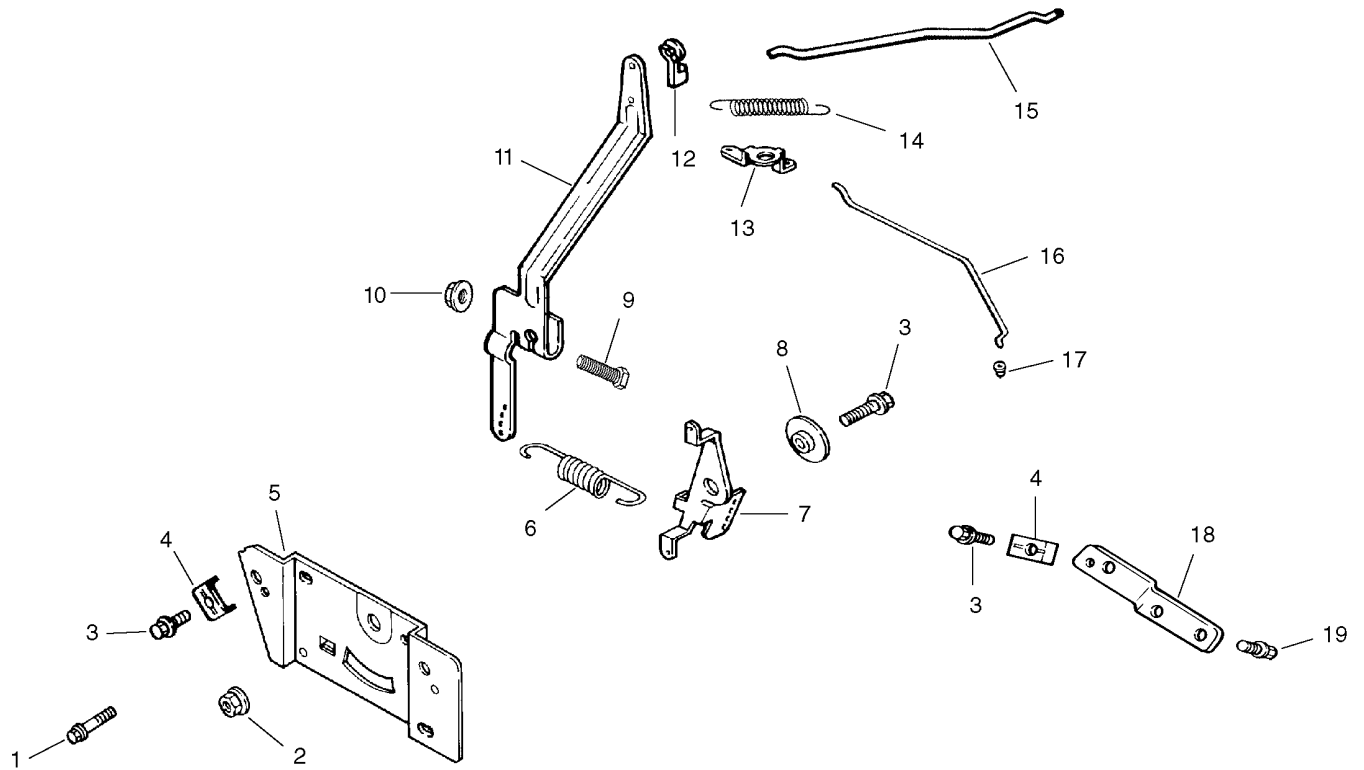




## Fuel System Assembly Kohler CH15S-44533

Ref	Part No.	Qty.	Description
❶	M-641060-S	2	Nut-Hex, Flange (M6X1.0)
❷	M-629116-S	2	Stud (M6X1.0X116)
❸	12 853 75-S	1	Carburetor Kit W/Gaskets (Includes 4-6)
❹	12 041 02-S	1	Gasket-Base, Air Cleaner
❺	12 053 75	1	Carburetor ASM (Service With Kits 12 757 27-S, 12 757 29-S, And 12 757 31-S)
❻	12 041 01-S	3	Gasket-Carburetor
❼	M-644035-S	2	Screw-Hex Socket Cap, M6X1.0X35
❽	12 029 04-S	1	Adapter-Carburetor
❾	12 265 04-S	1	Deflector-Heat
❿	25 155 02-S	1	Connector-Hose, 90 DEG
⓫	12 559 01-S	1	Fuel Pump ASM (Includes 12-14)
⓬	12 112 05-S	1	Spacer-Pump, Fuel
⓭	25 041 09-S	2	Gasket-Pump, Fuel
⓮	M-645020-S	2	Screw-Flange, Hex (M6X1.0X20)
⓯	25 326 03-S	1	Connector-Hose, Straight
⓰	25 237 14-S	6	Clamp-Hose
⓱	12 353 01-S	1	Line-Fuel (1-1/4In)
⓲	25 353 02-S	1	Line-Fuel (3In)
⓳	25 050 02-S	1	Filter-Fuel
⓴	12 353 11-S	1	Line-Fuel, Metal
⓵	M-545010-S	1	Screw-HHFTF (M5X0.8X10)

Ref	Part No.	Qty.	Description
⓶	X-728-1-S	1	Clip
⓷	12 353 07-S	1	Line-Fuel, 90 DEG. Elbow
⓸	12 757 27-S	1	Carburetor Overhaul Kit W/Gaskets
⓹	12 757 29-S	1	Choke Repair Kit
⓺	12 757 31-S	1	Gasket Replacement Kit



## Engine Control Assembly Kohler CH15S-44533

Ref	Part No.	Qty.	Description
❶	M-664020-S	2	Screw-Socket, 6 Lobed (Thread Forming, M6X1.0X20)
❷	M-541050-S	1	Nut-HF (M5X0.8)
❸	M-545016-S	4	Screw-HHFTF (M5X0.8X16)
❹	12 237 01-S	3	Clamp-Cable
❺	12 146 05-S	1	Plate-Control
❻	12 089 17-S	1	Spring-Governor
❼	12 090 13-S	1	Lever-Throttle, Inner
❽	12 112 07-S	1	Spacer-Control ASM
❾	M-642025-S	1	Screw-Hex Flange, M6X1.0X25
❿	M-641060-S	1	Nut-Hex, Flange (M6X1.0)
⓫	12 090 19-S	1	Lever-Governor
⓬	25 158 11-S	1	Bushing-Linkage, Throttle
⓭	12 090 14-S	1	Lever-Choke, Upper
⓮	230117-S	1	Spring-Linkage
⓯	12 079 04-S	1	Linkage-Throttle
⓰	12 079 08-S	1	Linkage-Choke, Upper
⓱	25 158 08-S	1	Bushing-Retaining, Linkage
⓲	12 126 15-S	1	Bracket-Choke, Mount
⓳	M-545010-S	3	Screw-HHFTF (M5X0.8X10)

--	--	--	--

# Attachments and Accessories

## For 73450 - GT Classic Garden Tractor

Product Name	Model/Part
36 Inch Rear Discharge Mower .....	78305
42 Inch Side Discharge Mower .....	78345
42 Inch Rear Discharge Mower .....	78350
48 Inch Side Discharge Mower .....	78361
48 Inch Recycler Kit .....	79190
48 Inch Recycler Kit .....	79195
42 Inch/48 Inch Vacuum Bagger .....	79301
Recycler Kit, 42 Inch Rear Discharge Mower .....	86001

# NOTES

# NOTES

