



TimeCutter™ Z4200 Riding Mower

Model No. 74380 - 270000001 and up.

Parts Catalog

Ordering Replacement Parts

To order replacement parts, please supply the part number, the quantity, and the description of each part desired.

Understanding Reference Numbers

Each identified part in an illustration has a reference number. The reference number for a part also appears in the parts list, along with other information about the part.

This catalog uses two special reference number formats, one to indicate parts in a service assembly and another to indicate the quantity of a given part in an illustration.

Service Assembly Reference Numbers

Parts in service assemblies have reference numbers in the form a:b. The a represents the reference number of the entire service assembly and the b represents a sequential number unique to each part within the service assembly.

For example, a wheel assembly might be identified by reference number 6, the tire by 6:1, the valve by 6:2, and the wheel by 6:3. When you order the assembly identified by reference number 6, you receive all parts identified by reference numbers 6:1, 6:2, and 6:3. However, you may also order any part individually. Reference numbers of this type appear in illustrations and in part lists.

Reference Numbers Indicating Quantity

In an illustration, if a reference number indicates more than one part, the reference number has the form nX y. The n represents the quantity of the part, the X is the multiplication symbol, and the y represents the reference number.

For example, in an illustration, the reference number 2X 37 means that two of the parts identified by reference number 37 are indicated.

Contents

Description	Page	Description	Page
Frame Assembly	3	Oil Pan and Lubrication Assembly Kohler SV590-0023	19
Deck Lift and Seat Support Assembly	4	Head, Valve and Breather Assembly Kohler SV590-0023	20
Seat Assembly	5	Ignition and Electrical Assembly Kohler SV590-0023	21
Control Assembly	6	Blower Housing and Baffle Assembly Kohler SV590-0023	22
Hydro Drive Assembly	7	Starting System Assembly Kohler SV590-0023	23
RH Hydro No. 110-6771 Assembly	8	Fuel System Assembly Kohler SV590-0023	24
LH Hydro No. 110-6770 Assembly	9	Engine Control Assembly Kohler SV590-0023	25
Engine and Clutch Assembly	10	Air Intake and Filtration Assembly Kohler SV590-0023	26
Styling and Fuel System Assembly	11	Exhaust Assembly Kohler SV590-0023	27
42 Inch Deck Assembly	12	Decal Assembly Kohler SV590-0023	28
42 Inch Deck Assembly No. 110-6831	13	Attachments and Accessories List	29
42 Inch Deck Recycler Assembly	14		
42 Inch Deck Spindle and Belt Drive Assembly	15		
Electrical Assembly	16		
Crankshaft Assembly Kohler SV590-0023	17		
Crankcase Assembly Kohler SV590-0023	18		

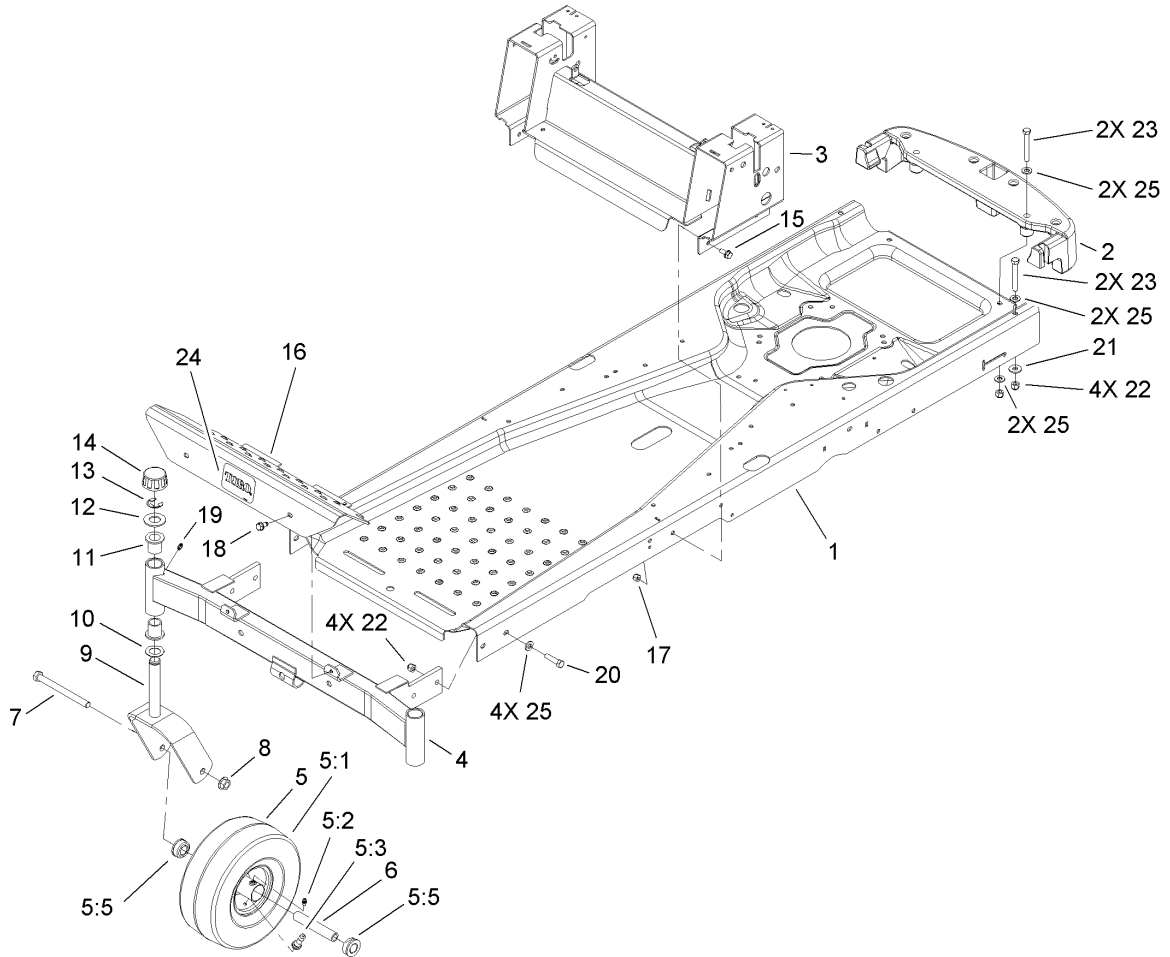
Part Description Abbreviations

Part descriptions in this catalog may include the following abbreviations.

AR. as required	HYD. hydraulic
ASM. assembly	LH. left hand
BBC. blade brake clutch	NI. nylon insert
CARR. carriage	NPTF. national pipe thread fine
DEG. degrees	PFH. phillips flat head
EXT. external	PPH. phillips pan head
FH. flat head	PPHTF. phillips pan head thread forming
GA. gauge	PRH. phillips round head
HD. heavy-duty	PTH. phillips truss head
HF. hex flange	PTO. power-take-off
HH. hex head	RH. right hand
HHF. hex head flange	ROPS. roll-over protection system
HHFTF. hex head flange thread forming	SFH. slotted fillister head
HJ. hex jam	SHH. slotted hex head
HLH. hex lag head	SHWH. slotted hex washer head
HOC. height-of-cut	SPH. slotted pan head
HSBH. hex socket button head	SQH. square head
HSFH. hex socket flat head	SRH. slotted round head
HSH. hex socket head	STD. standard
HWH. hex washer head	TAP. self tapping
HWHTF. hex washer head thread forming	TTH. torx truss head

Footnotes

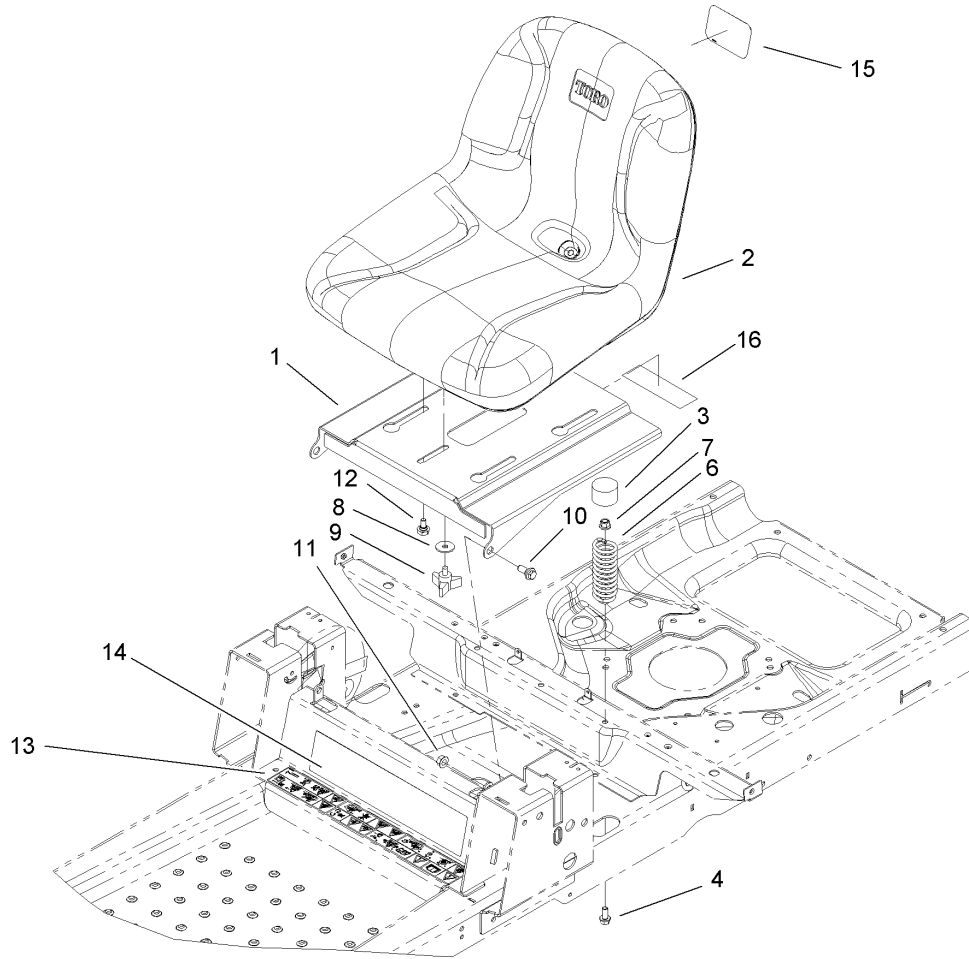
- ❶ Not illustrated
- ❷ Not serviced separately
- ❸ Obtain from your local Kohler dealer



Frame Assembly

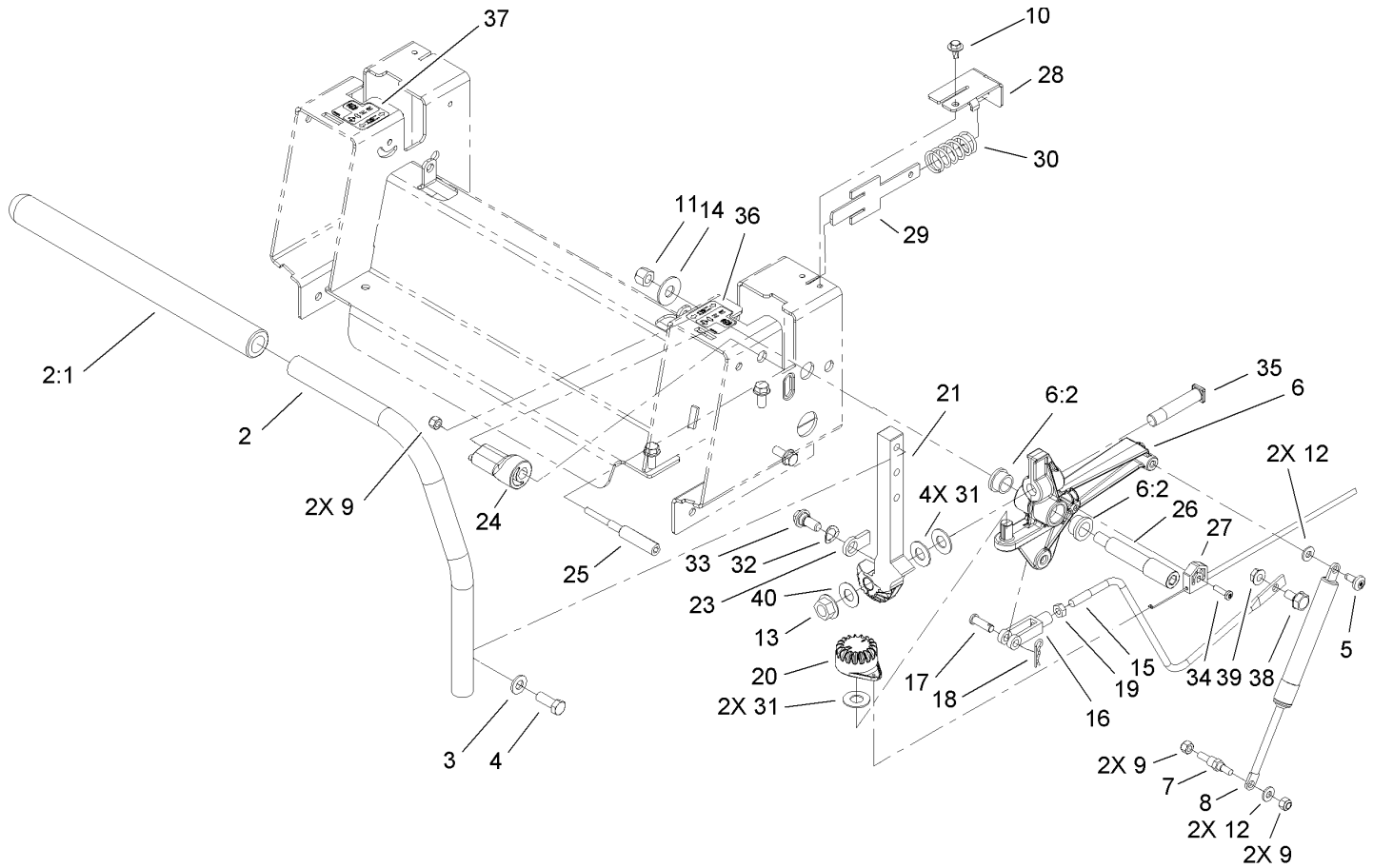
Ref	Part No.	Qty.	Description
1	110-6780-01	1	Frame
2	110-6899-03	1	Bumper-Rear
3	110-6872-03	1	Seat Control ASM
4	108-7882-01	1	Front Axle ASM
5	105-3471	2	Front Wheel And Tire ASM
5:1	105-1943	1	Tire
5:2	302-5	1	Fitting-Grease
5:3	232-27	1	Stem-Valve
5:5	114-1640	2	Bushing-Flange
5:99	93-4244	1	Tube-Inner (W/Valve)
6	104-3667	2	Spanner-Wheel
7	325-22	2	Screw-HH
8	32128-23	2	Nut-HF
9	108-7851-01	2	Caster Fork ASM
10	110-6767	2	Washer-Thrust
11	1-303514	4	Bearing-Flanged
12	104-8076	2	Washer
13	32151-103	2	Ring-Snap
14	61-9780	2	Cap-Hub
15	3234-47	7	Screw-HHF
16	108-7855-03	1	Footrest
17	3296-29	7	Nut-Lock, NI
18	32104-32	2	Screw-HWH
19	302-5	2	Fitting-Grease

Ref	Part No.	Qty.	Description
20	323-8	4	Screw-HH
21	80-6990	2	Washer-Hardened
22	3296-39	8	Nut-Lock, NI
23	323-13	4	Screw-HH
24	99-2385	1	Decal
25	3256-24	10	Washer-Flat



Seat Assembly

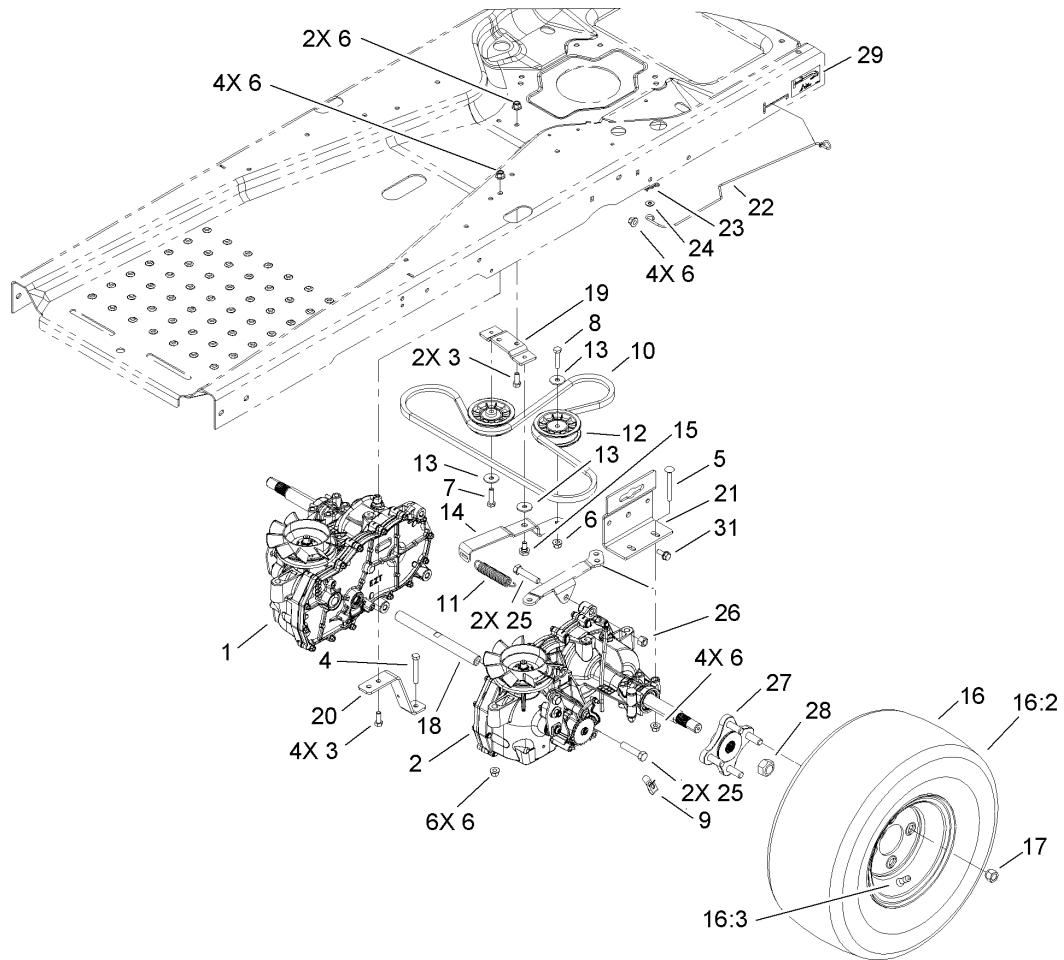
Ref	Part No.	Qty.	Description				
1	110-6679-03	1	Base-Seat				
2	110-6768	1	Seat-15 Inch				
3	701178	2	Cap-Protector				
4	3234-47	2	Screw-HHF				
6	92-7054	2	Spring-Compression				
7	3296-58	2	Nut-Lock, NI				
8	5-4460	1	Washer-Pivot				
9	92-9674	1	Knob				
10	94-7582	2	Bolt-Shoulder				
11	32128-21	2	Nut-HF				
12	37-8771	4	Bolt-Shoulder				
13	110-6825	1	Decal-Danger				
14	110-6834	1	Decal				
15	99-2385	1	Decal				
16	106-8717	1	Decal-Service				



Control Assembly

Ref	Part No.	Qty.	Description
1	110-6814	1	RH Handle ASM
1:1	108-6187	1	Grip
2	110-6815	1	LH Handle ASM
2:1	108-6187	1	Grip
3	3256-24	4	Washer-Flat
4	323-6	4	Screw-HH
5	112-4004	2	Screw-Shoulder
6	110-6828	2	Activator Arm ASM
6:2	105-3455	2	Bushing
7	110-6810	2	Stud-Damper
8	103-2913	2	Damper-Control, Motion
9	3296-42	6	Nut-Lock, NI
10	46-8560	2	Screw-HHF
11	3296-48	2	Nut-Lock, NI
12	3256-22	4	Washer-Flat
13	32128-23	2	Nut-HF
14	3256-5	2	Washer-Flat
15	110-6693	2	Link-Hydro
16	1-303105	2	Yoke-Adjustable
17	1-808280	2	Pin-Clevis
18	1-806003	2	Pin-Hair
19	3220-2	2	Nut-Jam
20	110-6845	2	Gear-Control
21	110-6783	1	Arm-Actuator, LH

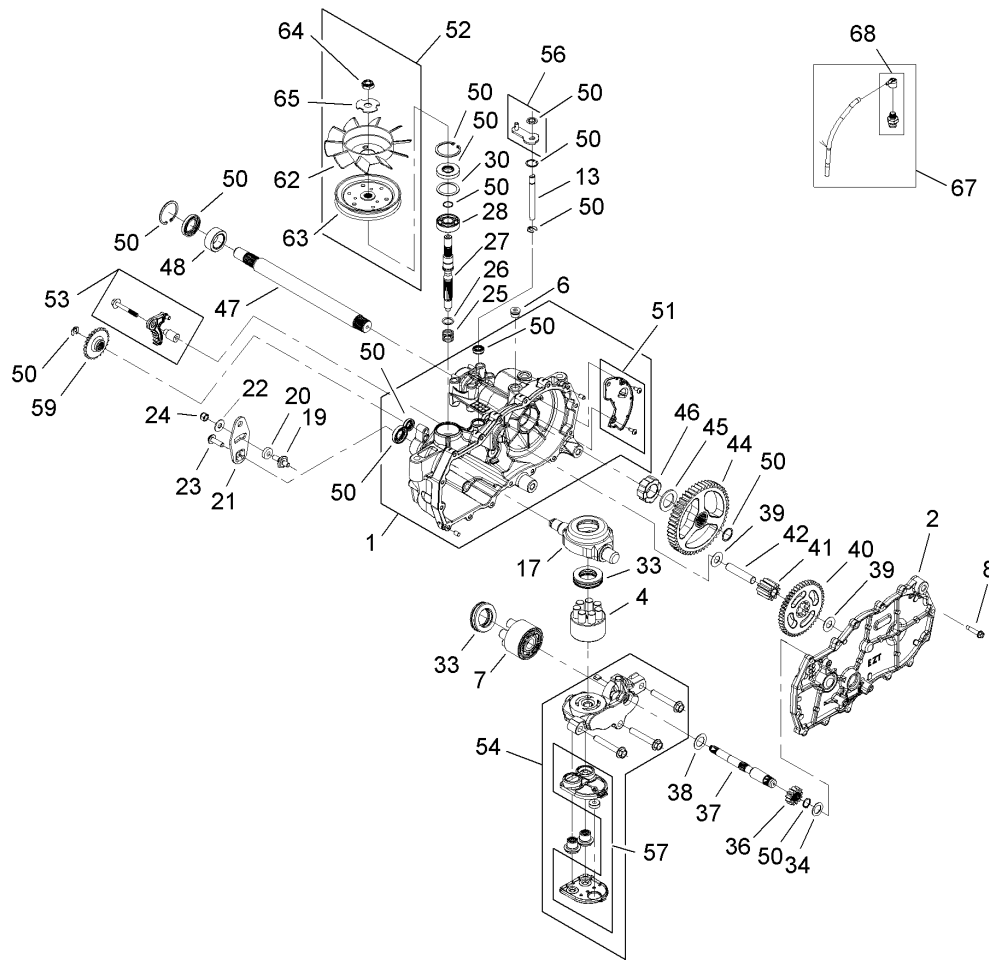
Ref	Part No.	Qty.	Description
22	110-6782	1	Arm-Actuator, RH
23	110-6856	2	Tab-Stop
24	110-6873	2	Eccentric
25	110-6874	2	Screw-Eccentric
26	110-6875	2	Bolt-Shoulder
27	110-6858	2	Cable-Brake, Parking
28	110-6751	2	Bracket-Return
29	110-6750	2	Plate-Return
30	110-6752	2	Spring
31	110-6894	6	Washer-Pivot
32	3290-221	2	Washer-Spring
33	94-7582	2	Bolt-Shoulder
34	110-0863	2	Screw-Torx
35	110-6784	2	Bolt-Shoulder
36	112-9750	1	Decal-Control Lever, LH
37	112-9751	1	Decal-Control Lever, RH
38	37-8771	2	Bolt-Shoulder
39	3296-58	2	Nut-Lock, NI
40	112-9771	2	Washer-Teflon



Hydro Drive Assembly

Ref	Part No.	Qty.	Description
1	110-6771	1	Hydro-RH
2	110-6770	1	Hydro-LH
3	322-4	2	Screw-HH
4	322-11	2	Screw-HH
5	3230-9	4	Screw-CARR
6	3296-58	17	Nut-Lock, NI
7	322-6	1	Screw-HH
8	322-7	1	Screw-HH
9	110-6677	2	Clip-Spring
10	110-6774	1	V-Belt
11	63-1590	1	Spring-Idler
12	110-6775	2	Pulley-Idler
13	5-4460	3	Washer-Pivot
14	110-1925	1	Arm-Idler
15	37-8771	1	Bolt-Shoulder
16	110-6881	2	Wheel And Tire ASM
16:2	110-6885	1	Tire
16:3	232-27	1	Stem-Valve
●16:99	107-2491	1	Tube-Tire
17	242-50	8	Nut-Lug
18	110-6807	1	Shaft-Cross
19	110-1926	1	Plate-Pivot
20	110-6806-03	2	Strap-Torque
21	110-6878-03	2	Support-Hydro

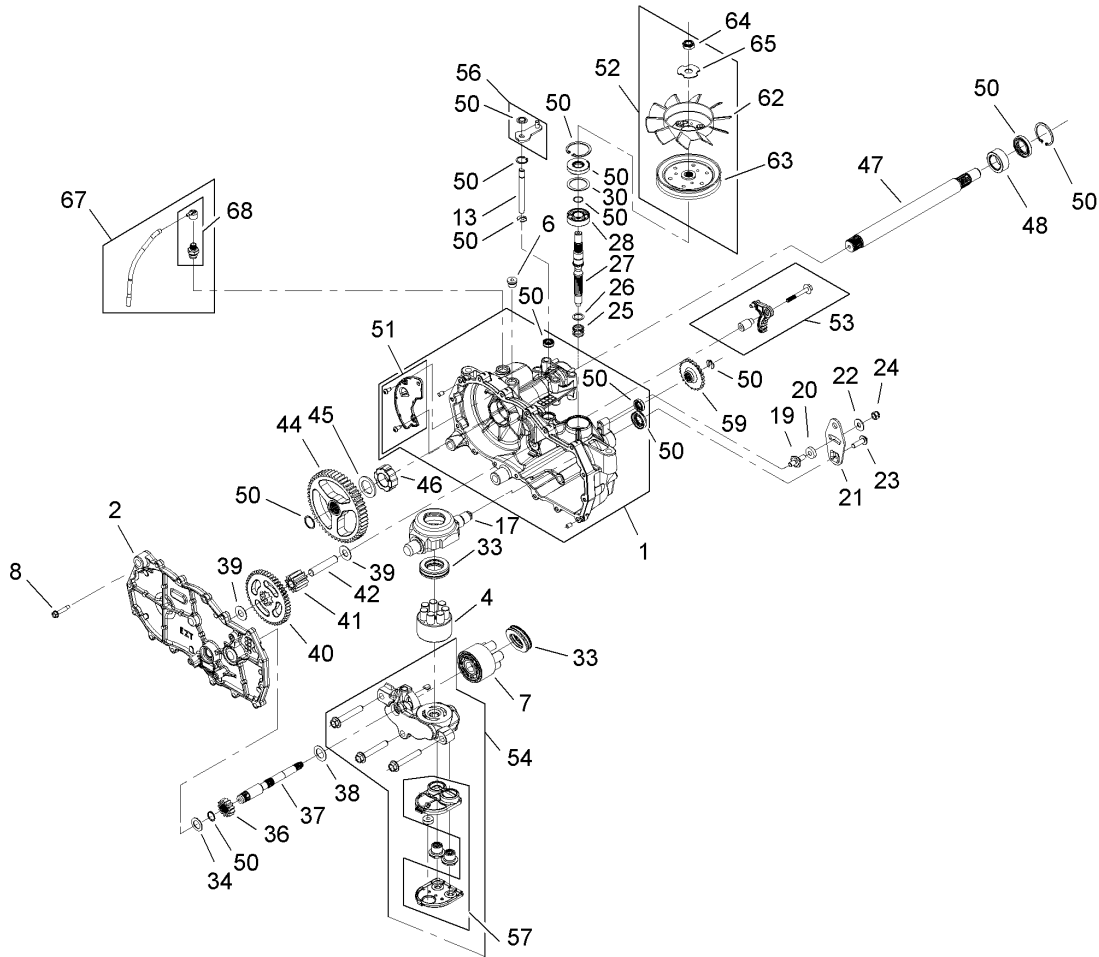
Ref	Part No.	Qty.	Description
22	110-6787	2	Rod-Bypass
23	1-806003	2	Pin-Hair
24	3256-22	2	Washer-Flat
25	324-8	4	Screw-HH
26	3296-48	2	Nut-Lock, NI
27	112-3979	2	Hub ASM
28	112-3982	2	Nut-Lock
29	110-6680	1	Decal-Transport, LH
●30	110-6690	1	Decal-Transport, RH
31	3234-47	8	Screw-HHF



RH Hydro No. 110-6771 Assembly

Ref	Part No.	Qty.	Description
1	114-1630	1	RH Main Housing ASM
2	114-1631	1	RH Side ASM
4	110-8561	1	Pump Block ASM
6	112-9850	1	Plug
7	103-2666	1	Cylinder Block Kit
8	104-5305	16	Screw-HHF
13	106-8678	1	Rod-Bypass
17	104-5304	1	Swashplate-Trunnion
19	104-2116	1	Stud
20	112-9853	1	Puck-Friction
21	106-8747	1	Arm-Control
22	5-4460	1	Washer-Pivot
23	107-2488	1	Screw
24	105-1872	1	Nut
25	94-1936	1	Spring-Block
26	94-1937	1	Washer-Block, Thrust
27	104-5306	1	Shaft-Input
28	104-5311	1	Bearing-Ball
30	104-5308	1	Spacer
33	94-6922	2	Bearing-Thrust
34	104-5339	1	Washer-Flat
36	104-5316	1	Gear-Pinnion, 13T
37	114-1632	1	Shaft, Motor
38	104-5360	1	Washer-Shaft, Motor

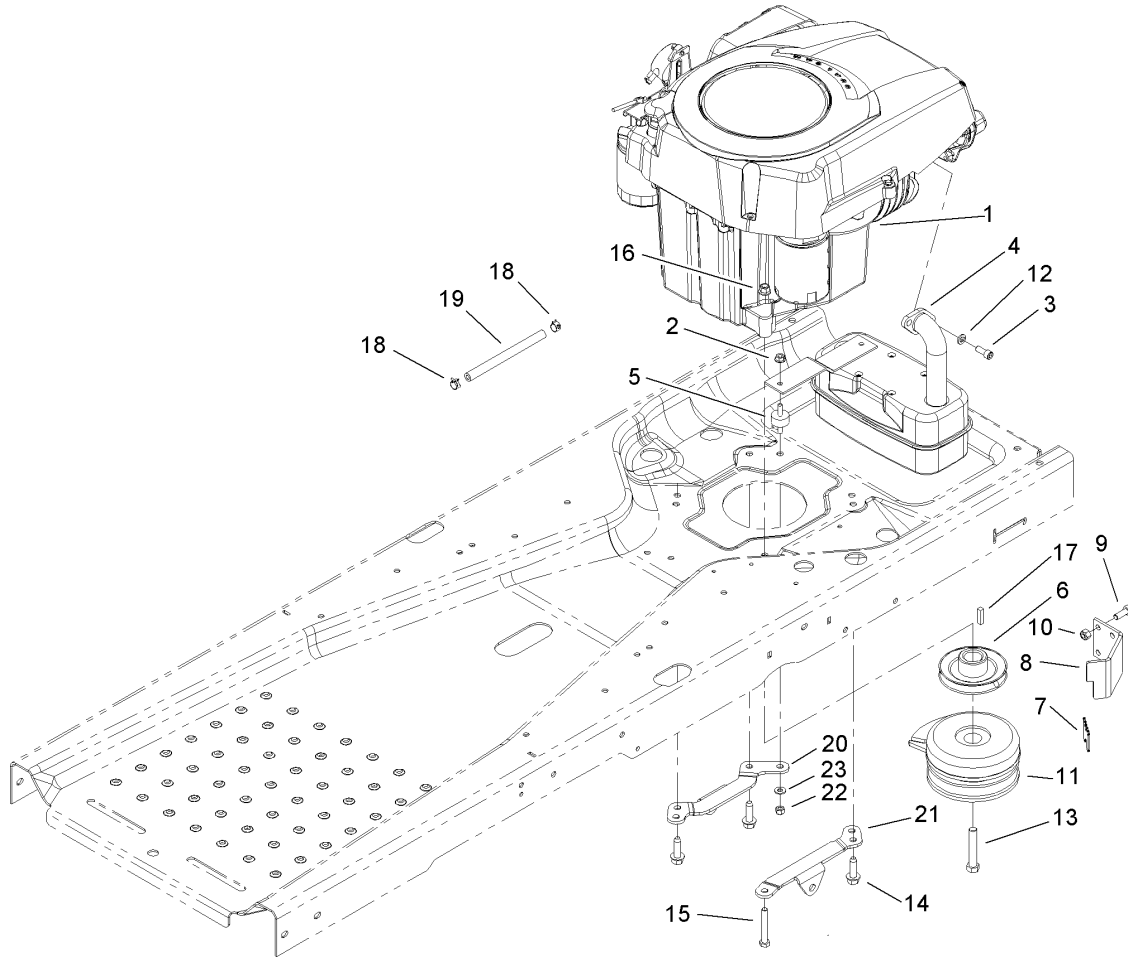
Ref	Part No.	Qty.	Description
39	94-1933	2	Washer
40	104-5317	1	Gear
41	104-5318	1	Gear-Jackshaft, 10T
42	104-5329	1	Pin-Jackshaft
44	112-9855	1	Gear-52T Bull
45	112-9856	1	Washer
46	112-9857	1	Bearing-Sleeve
47	112-9858	1	Shaft-Axle
48	112-9859	1	Bushing-Axle
50	106-8686	1	Seal Kit
51	106-8697	1	RH Expansion Plate Kit
52	106-8698	1	Fan Pulley Kit
53	114-1633	1	Brake Arm Kit
54	112-9861	1	RH Center Section Filter Kit
55	112-9863	1	Tube-Sealant
56	107-2489	1	Bypass Arm Kit
57	114-1634	1	Filter Kit
59	106-8694	1	Disc-Brake, Cog
62	110-8566	1	Fan-6 Inch, 10 Blade
63	104-1754	1	Pulley
64	105-1875	1	Nut-Lock
65	107-9122	1	Washer-Slotted
67	112-9866	1	Breather Kit
68	114-1635	1	Breather ASM



LH Hydro No. 110-6770 Assembly

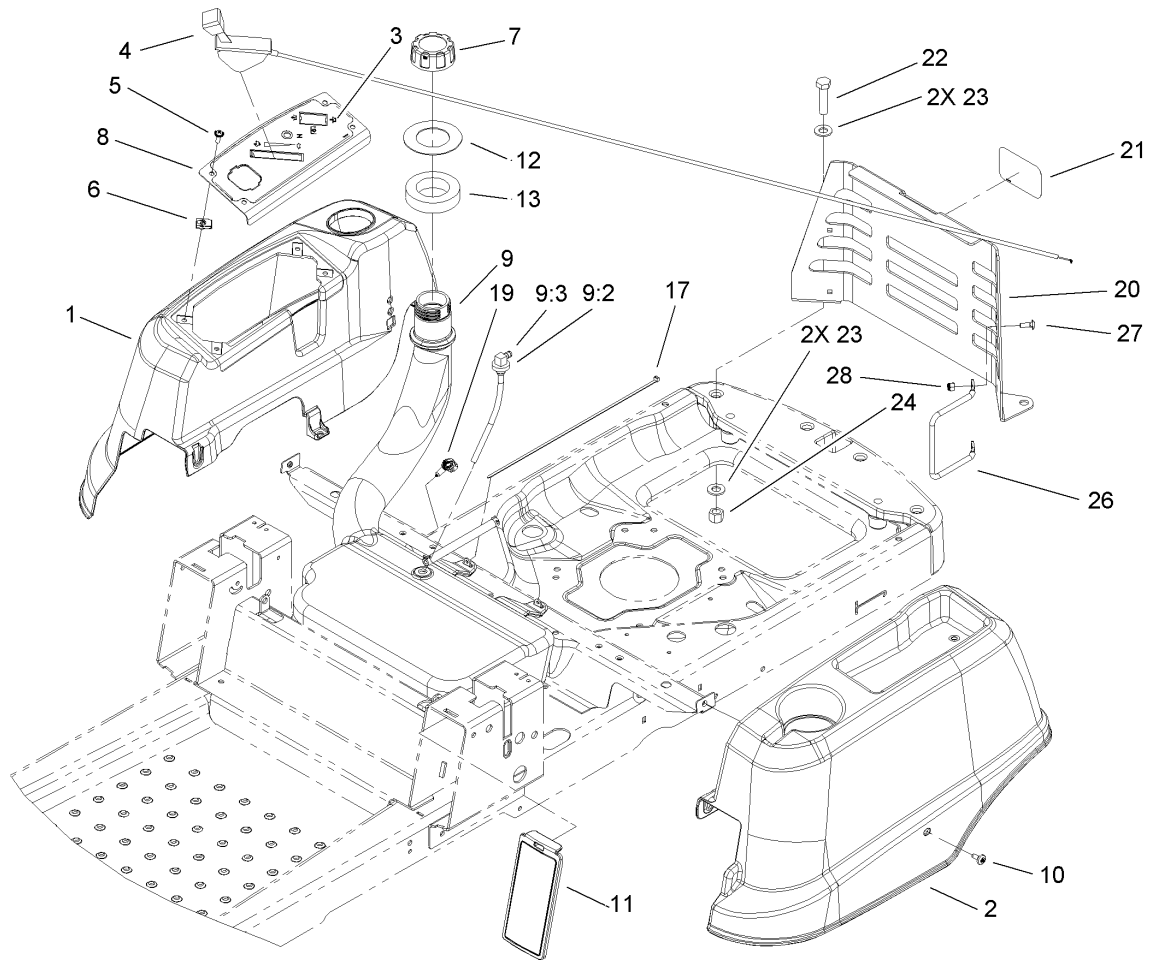
Ref	Part No.	Qty.	Description
1	114-1636	1	LH Main Housing ASM
2	114-1637	1	LH Side ASM
4	110-8561	1	Pump Block ASM
6	112-9850	1	Plug
7	103-2666	1	Cylinder Block Kit
8	104-5305	16	Screw-HHF
13	106-8678	1	Rod-Bypass
17	104-5304	1	Swashplate-Trunnion
19	104-2116	1	Stud
20	112-9853	1	Puck-Friction
21	106-8747	1	Arm-Control
22	5-4460	1	Washer-Pivot
23	107-2488	1	Screw
24	105-1872	1	Nut
25	94-1936	1	Spring-Block
26	94-1937	1	Washer-Block, Thrust
27	104-5306	1	Shaft-Input
28	104-5311	1	Bearing-Ball
30	104-5308	1	Spacer
33	94-6922	2	Bearing-Thrust
34	104-5339	1	Washer-Flat
36	104-5316	1	Gear-Pinnion, 13T
37	114-1632	1	Shaft, Motor
38	104-5360	1	Washer-Shaft, Motor

Ref	Part No.	Qty.	Description
39	94-1933	2	Washer
40	104-5317	1	Gear
41	104-5318	1	Gear-Jackshaft, 10T
42	104-5329	1	Pin-Jackshaft
44	112-9855	1	Gear-52T Bull
45	112-9856	1	Washer
46	112-9857	1	Bearing-Sleeve
47	112-9858	1	Shaft-Axle
48	112-9859	1	Bushing-Axle
50	106-8686	1	Seal Kit
51	106-8687	1	LH Expansion Plate Kit
52	106-8698	1	Fan Pulley Kit
53	114-1633	1	Brake Arm Kit
54	112-9862	1	LH Center Section Filter Kit
55	112-9863	1	Tube-Sealant
56	107-2489	1	Bypass Arm Kit
57	114-1634	1	Filter Kit
59	106-8694	1	Disc-Brake, Cog
62	110-8566	1	Fan-6 Inch, 10 Blade
63	104-1754	1	Pulley
64	105-1875	1	Nut-Lock
65	107-9122	1	Washer-Slotted
67	112-9866	1	Breather Kit
68	114-1635	1	Breather ASM



Engine and Clutch Assembly

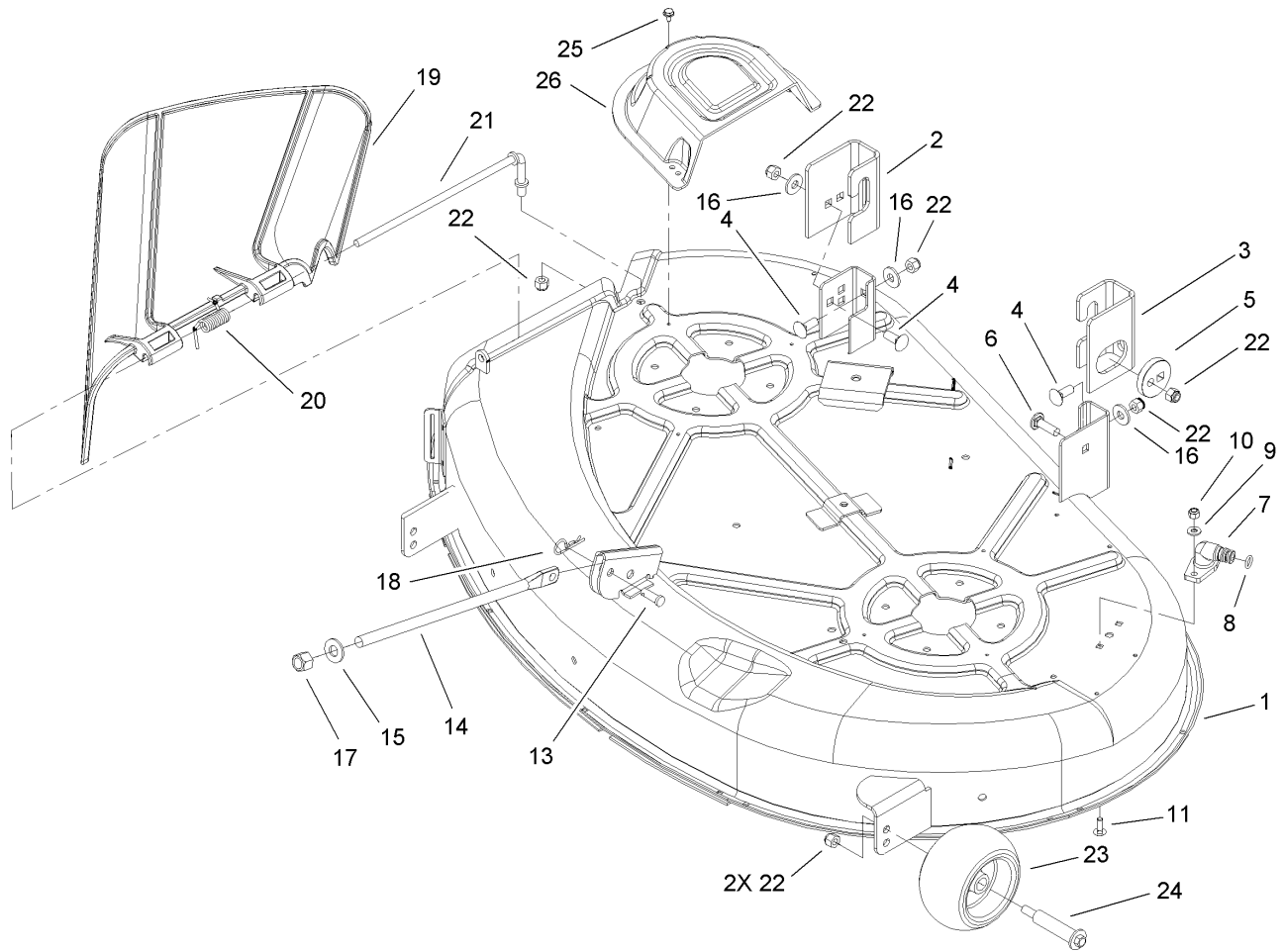
Ref	Part No.	Qty.	Description
1		1	Engine-Kohler, Sv590S-0023
2	32128-33	1	Nut-HF
3	3274-10	2	Screw-HSH
4	108-7829	1	Muffler-Kohler
5	112-3976	1	Isolator
6	110-6758	1	Pulley-Engine
7	112-3974	1	Bumper
8	110-6896	1	Stop-Clutch
9	322-4	2	Screw-HH
10	3296-29	2	Nut-Lock, NI
11	104-3334	1	Clutch-Electric
12	3253-4	2	Washer-Lock
13	3212-10	1	Screw-HH
14	32144-109	3	Screw
15	322-11	1	Screw-HH
16	3296-58	1	Nut-Lock, NI
17	5-7280	1	Key
18	2412-98	2	Clamp
19	109-0306	1	Hose-Fuel
20	110-6798	1	Support-Hydro, RH
21	110-6799	1	Support-Hydro, LH
22	3296-42	1	Nut-Lock, NI
23	3256-22	1	Washer-Flat



Styling and Fuel System Assembly

Ref	Part No.	Qty.	Description
1	110-1901	1	Pod-RH
2	110-1902	1	Pod-LH
3	110-6823	1	Decal-Panel, Control
4	104-3626	1	Cable-Throttle
5	3258-166	4	Screw-PRH
6	107069	4	Clip
7	93-7198	1	Gas Cap ASM
8	110-1927-03	1	Panel-Control
9	110-6890	1	Fuel Tank ASM
9:2	46-6560	1	Bushing
9:3	95-3970	1	Fitting-90 Degree
10	112-4004	6	Screw-Shoulder
11	110-6786	2	Cover-Control
12	112-9760	1	Washer-Rubber
13	55-9310	1	Seal-Foam
17	100-9064	1	Tie-Cable
19	32180-037	1	Clip-Harness
20	110-6685-03	1	Support-Cover, Rear
21	99-2385	1	Decal
22	325-8	2	Screw-HH
23	3256-26	4	Washer-Flat
24	3296-23	2	Nut-Lock, NI
26	112-4022	1	Guard-Muffler
27	3229-1	2	Screw-CARR

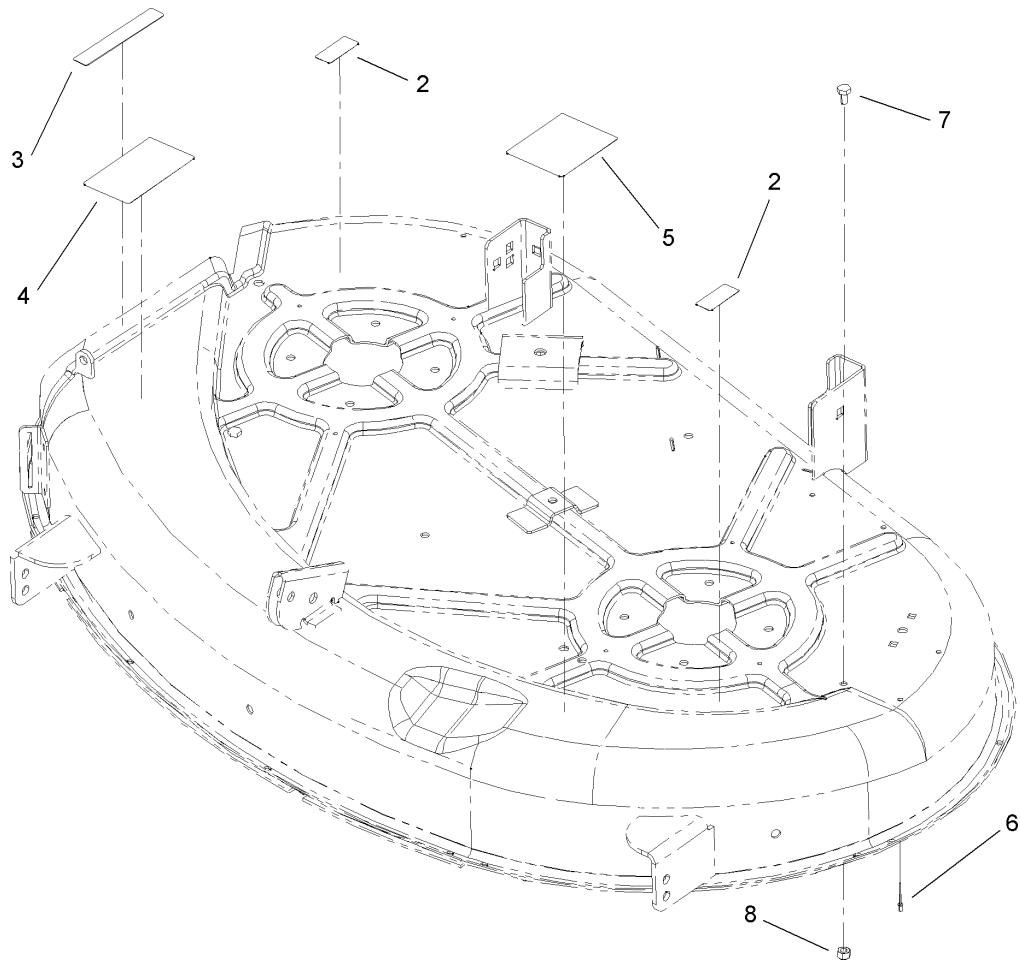
Ref	Part No.	Qty.	Description
28	3296-42	2	Nut-Lock, NI



42 Inch Deck Assembly

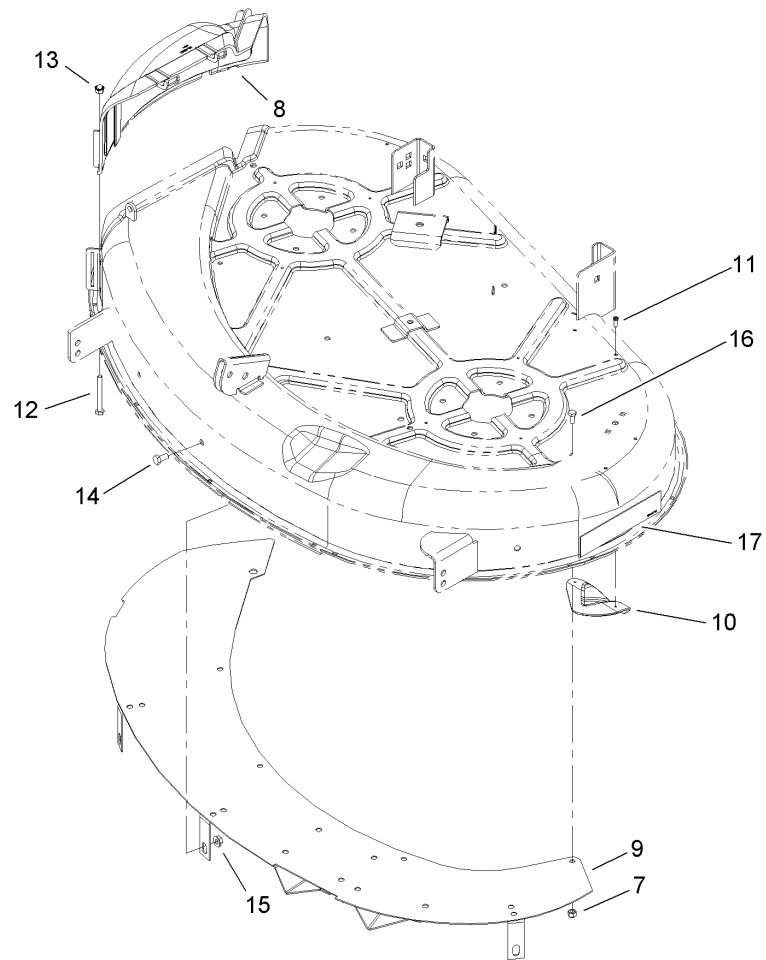
Ref	Part No.	Qty.	Description
1	110-6831	1	42 Inch Deck ASM
2	108-7836	1	Bracket-Hanger, Right Rear
3	108-7838	1	Bracket-Hanger, Left Rear
4	3231-2	3	Screw-CARR
5	112-3980	1	Eccentric
6	3231-28	1	Screw-CARR
7	95-2747	1	Fitting-Washout
8	46-6290	1	O-Ring
9	3256-22	2	Washer-Flat
10	3296-42	2	Nut-Lock, NI
11	3229-1	2	Screw-CARR
13	1-808284	1	Pin-Clevis
14	108-7847	1	Rod-Lift
15	87-7270	1	Washer-Thrust
16	80-6990	3	Washer-Hardened
17	3296-23	1	Nut-Lock, NI
18	9335054	1	Pin-Hair
19	112-3951	1	Deflector
20	110-6694	1	Spring-Torsion
21	112-4026	1	Rod-Pivot
22	3296-39	7	Nut-Lock, NI
23	1-603299	2	Roller-Scalp, Anti
24	112-3977	2	Bolt-Shoulder
25	32104-76	6	Screw

Ref	Part No.	Qty.	Description
26	108-7889	2	Cover-Belt



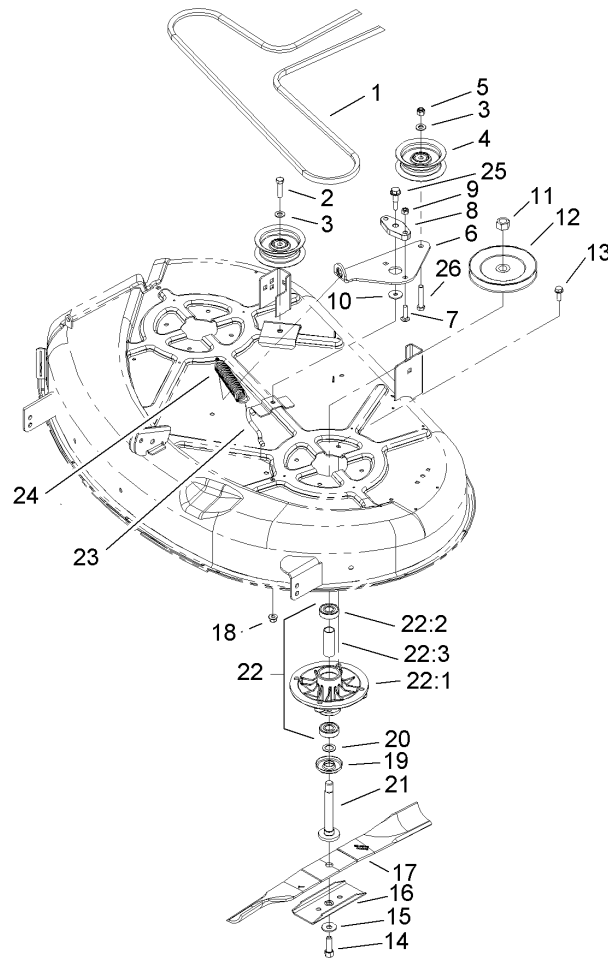
42 Inch Deck Assembly No. 110-6831

Ref	Part No.	Qty.	Description
2	114-1606	2	Decal-Danger, Pulley
3	93-7009	1	Decal-Danger
4	110-6691	1	Decal-Danger
5	105-7015	1	Decal-Routing, Belt
6	3290-282	2	Rivet-Pop
7	321-2	3	Screw-HH
8	3296-42	3	Nut-Lock, NI



42 Inch Deck Recycler Assembly

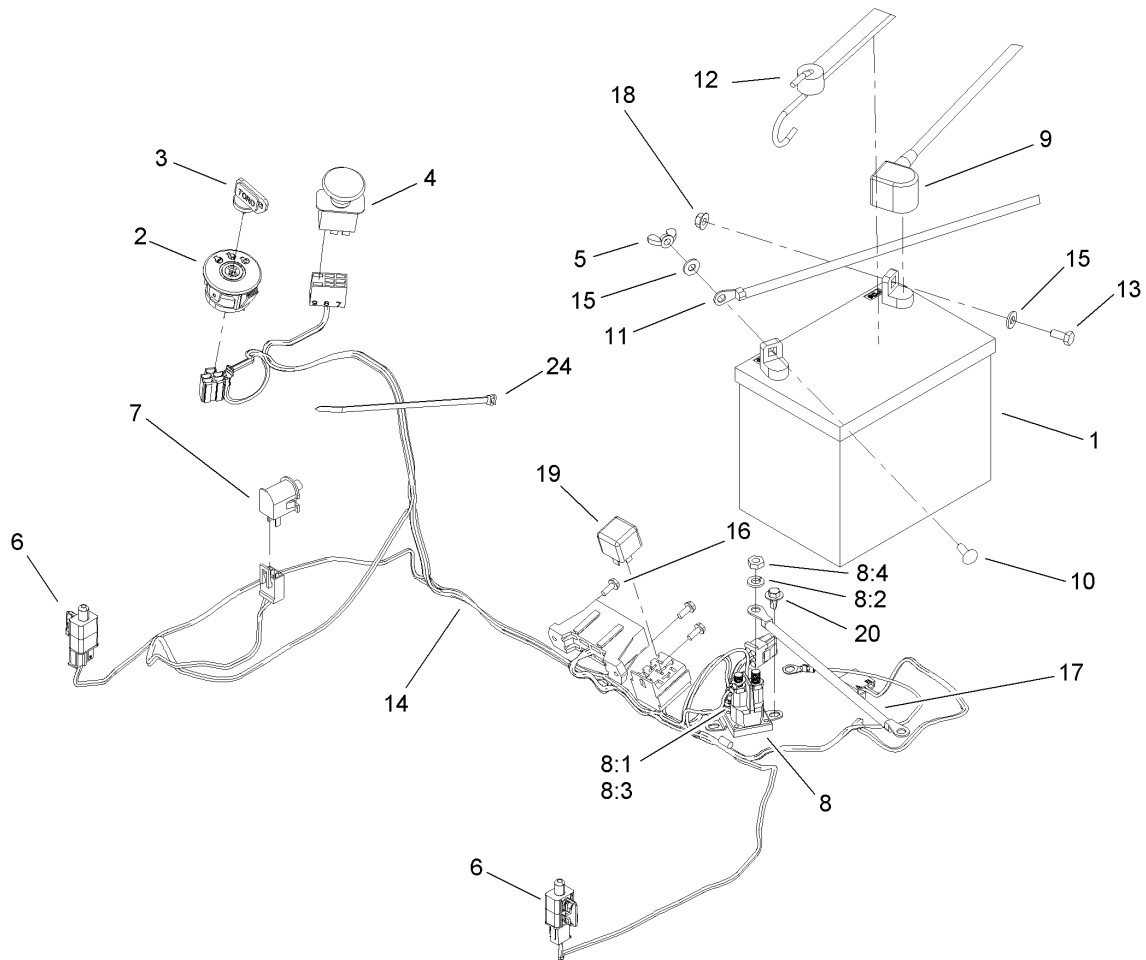
Ref	Part No.	Qty.	Description				
7	3296-42	7	Nut-Lock, NI				
8	110-6682	1	Cover-Discharge				
9	107-7316-03	1	Baffle Upper ASM				
10	76-2160	3	Plate-Kicker				
11	32144-111	6	Screw-PPH				
12	321-15	2	Screw-HH				
13	32111-7	2	Nut-Cap				
14	322-2	3	Screw-HH				
15	32128-25	3	Nut-HF				
16	321-3	4	Screw-HH				
17	106-8735	1	Decal				



42 Inch Deck Spindle and Belt Drive Assembly

Ref	Part No.	Qty.	Description
1	110-6871	1	V-Belt
2	323-8	1	Screw-HH
3	3256-24	2	Washer-Flat
4	106-2175	2	Pulley-Idler, Flat
5	3296-39	1	Nut-Lock, NI
6	110-6867-03	1	Arm-Idler
7	3230-3	2	Screw-CARR
8	108-7881	1	Bushing-Pivot
9	3296-29	2	Nut-Lock, NI
10	5-4460	1	Washer-Pivot
11	3219-6	2	Nut-Hex
12	110-6864	2	Pulley
13	32144-41	8	Screw-Taptite
14	26-0671	2	Screw-Blade
15	3290-465	2	Washer-Belleville
16	106-2248-03	2	Stiffener-Blade
17	106-2247-03	2	Blade
18	3296-58	1	Nut-Lock, NI
19	80-4360	2	Shield-Bearing
20	80-4380	2	Spacer
21	110-6866	2	Shaft-Spindle
22		2	Spindle ASM
22:1	88-4510	1	Housing-Spindle
22:2	100-1048	2	Bearing-Ball

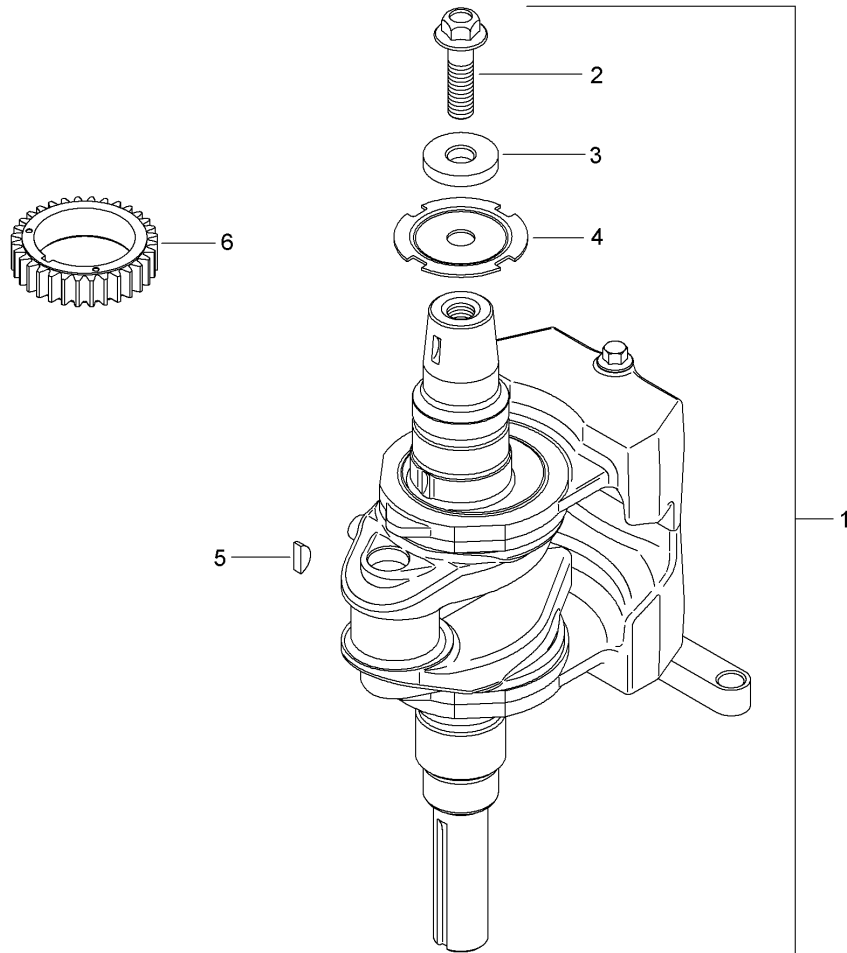
Ref	Part No.	Qty.	Description
22:3	62-3661	1	Spacer-Bearing
23	88-5970	1	Hook-Return, Spring
24	106-2177	1	Spring-Extension
25	110-6897	1	Bolt-Shoulder
26	323-10	1	Screw-HH



Electrical Assembly

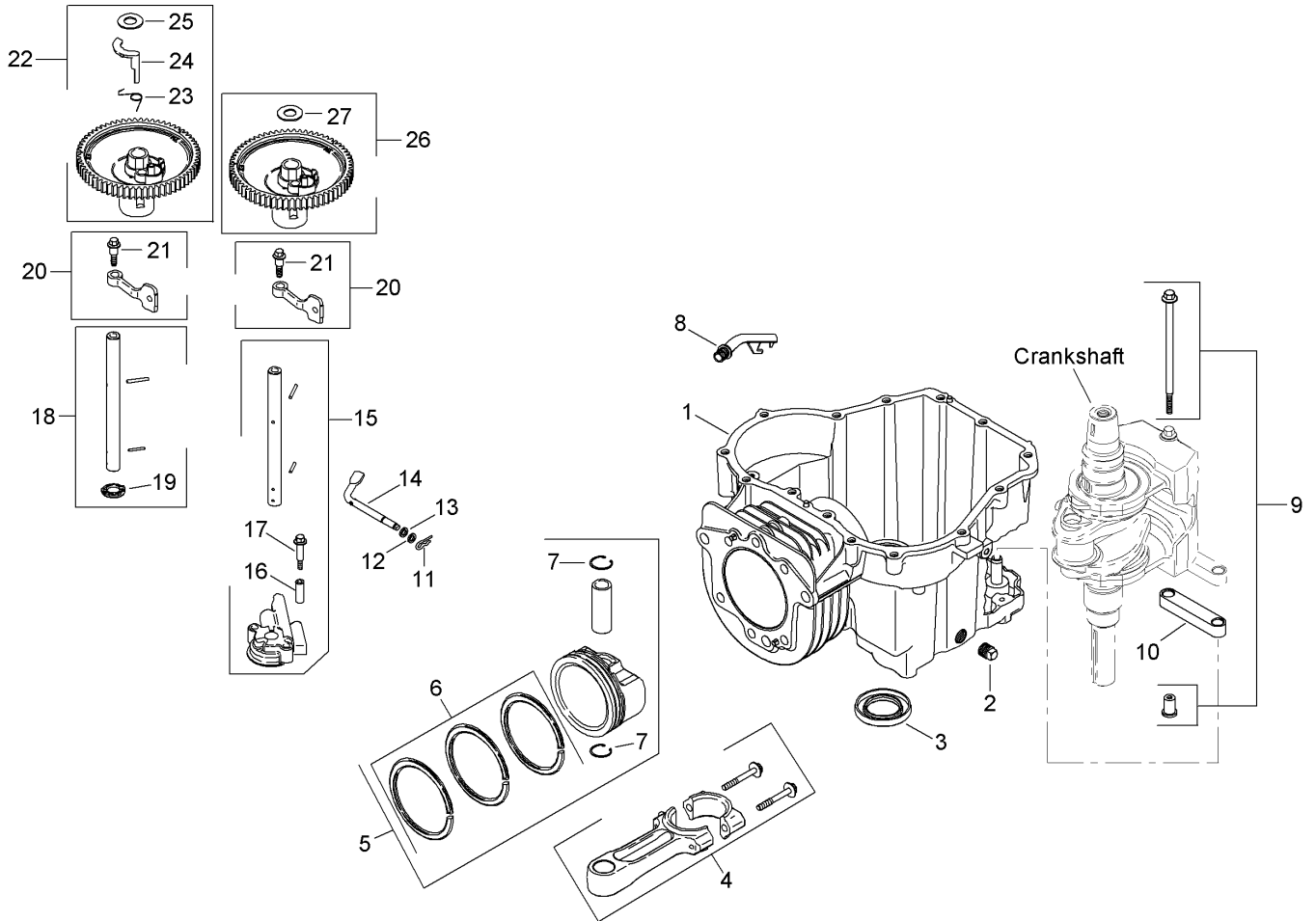
Ref	Part No.	Qty.	Description
1	104-2493	1	Battery
2	110-6764	1	Switch-Ignition
3	63-8360	1	Key-Ignition
4	93-9998	1	Switch-PTO
5	32103-22	1	Nut-Wing
6	110-6765	2	Switch-Single Pole No
7	82-2190	1	Switch-Bail
8	1-513075	1	Switch-Solenoid
8:1	3253-17	2	Washer-Lock
8:2	3253-4	2	Washer-Lock
8:3	3219-14	2	Nut-Hex
8:4	3220-2	2	Nut-Jam
9	110-6794	1	Cable-Battery, Red
10	3229-1	1	Screw-CARR
11	110-6793	1	Cable-Battery, Black
12	104-2466	1	Holddown-Battery
13	321-3	1	Screw-HH
14	110-1923	1	Harness-Wire
15	3256-22	2	Washer-Flat
16	32144-1	3	Screw-Taptite
17	110-6792	1	Cable-Battery, Red
18	32128-33	2	Nut-HF
19	98-7249	1	Relay
20	46-8560	2	Screw-HHF

Ref	Part No.	Qty.	Description
24	614249	1	Strap-Tie



Crankshaft Assembly Kohler SV590-0023

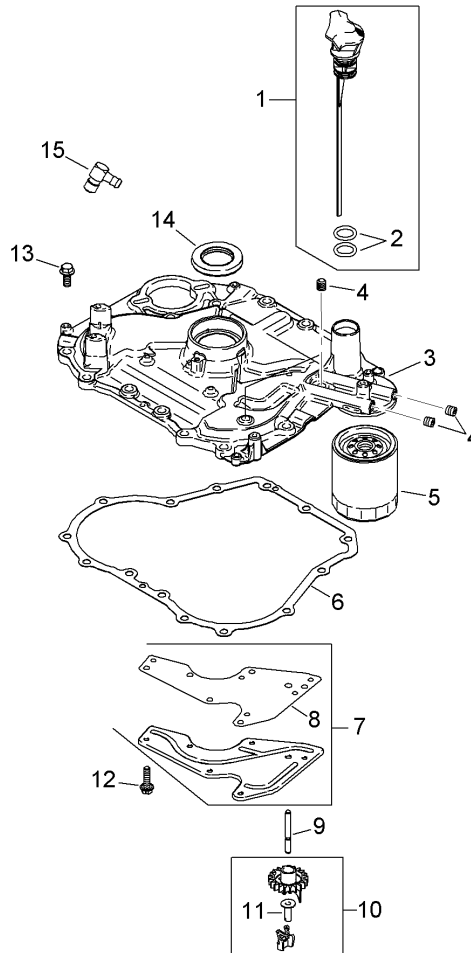
Ref	Part No.	Qty.	Description				
❶	20 014 24-S	1	Crankshaft Kit				
❷	25 086 125-S	1	Screw-Flange, Hex				
❸	25 468 09-S	1	Washer-Flat				
❹	20 146 05-S	1	Plate-Mounting, Fan				
❺	X-42-15-S	1	Key (.19 X .62)				
❻	20 043 12-S	1	Gear-Crankshaft				



Crankcase Assembly Kohler SV590-0023

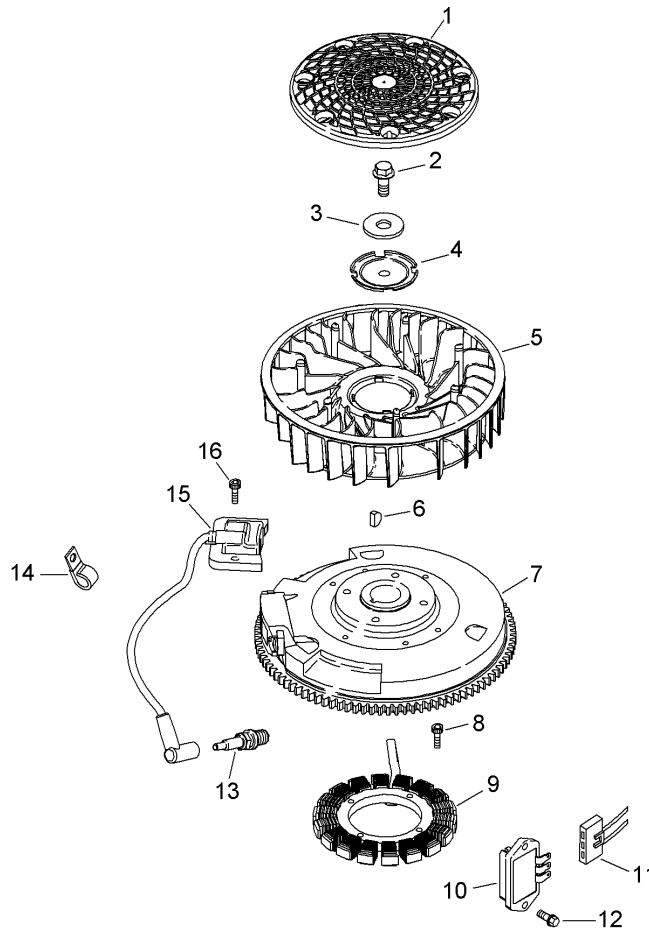
Ref	Part No.	Qty.	Description
❶	20 522 01	1	Crankcase (Sv590/600 Short Block)
❷	25 139 57-S	1	Plug-Solid, Square Head (.38)
❸	20 032 01-S	1	Seal-Oil
❹	20 067 04-S	1	Rod-Connecting
❺	20 874 01-S	1	Piston And Ring Set (94 Mm)
❻	20 108 01-S	1	Ring Set (94 Mm)
❼	20 018 04-S	2	Retainer-Pin, Piston
❽	20 123 02-S	1	Tube-Back, Drain
❾	20 380 16-S	1	Locating Pin Kit
❿	20 186 02-S	1	Linkage-Weight, Balance
⓫	12 154 05-S	1	Clip-Pin, Hitch
⓬	M-631015-S	1	Washer-Flat (6Mm)
⓭	X-25-102-S	1	Washer-Flat (1/4)
⓮	20 144 02-S	1	Shaft-Cross, Governor
⓯	20 393 02-S	1	Oil Pump ASM
⓰	20 112 02-S	2	Spacer-Screw, Oil Pump
⓱	20 086 13-S	2	Screw-Pump, Oil
⓲	20 144 11-S	1	Cam Center Shaft Kit (Exhaust)
⓳	20 468 08-S	1	Washer-Thrust
⓴	20 090 01-S	2	Cam Lever ASM
⓵	20 086 06-S	2	Bolt-Shoulder (M5X0.8X36)
⓶	20 010 04-S	2	Cam Gear ASM (Intake)
⓷	20 089 06-S	1	Spring-A C R

Ref	Part No.	Qty.	Description
❷❹	20 044 16-S	1	Weight-A C R
❷❺	20 468 03-S	1	Washer-Thrust, A C R
❷❻	20 010 04-S	1	Cam Gear ASM (Intake)
❷❼	20 468 03-S	1	Washer-Thrust, A C R



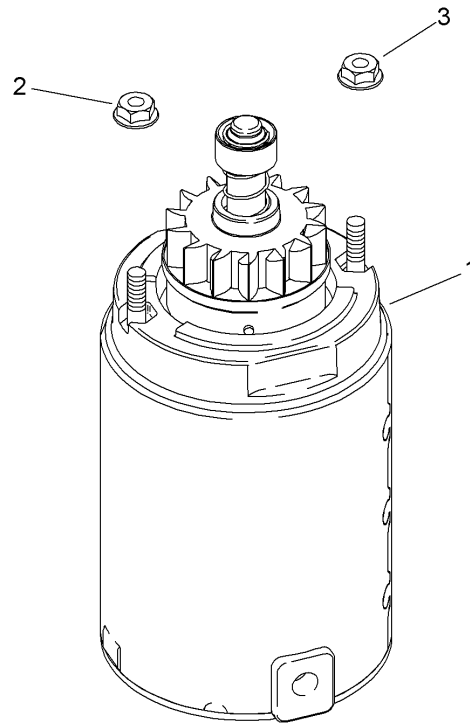
Oil Pan and Lubrication Assembly Kohler SV590-0023

Ref	Part No.	Qty.	Description				
1	20 040 02-S	1	Dipstick Blade Kit (Yellow)				
2	20 153 01-S	2	O Ring-Dipstick				
3	20 009 21-S	1	Closure Plate ASM				
4	25 139 60-S	4	Plug-Hex, Countersunk (.125)				
5	12 050 01-S	1	Filter-Oil				
6	20 041 01-S	1	Gasket-Plate, Closure				
7	20 096 02-S	1	Oil Passage Cover Kit				
8	20 041 02-S	1	Gasket-Passage, Oil				
9	20 144 03-S	1	Shaft-Gear, Governor				
10	20 310 01-S	1	Governor Gear ASM				
11	12 380 01-S	1	Pin-Regulating, Governor				
12	M-545013-S	6	Screw-Flange, Hex (M5X0.8X13)				
13	25 086 127-S	14	Screw-Flange, Hex (1/2 Dog Point)				
14	20 032 01-S	1	Seal-Oil				
15	25 155 02-S	1	Connector-Hose, 90 DEG				



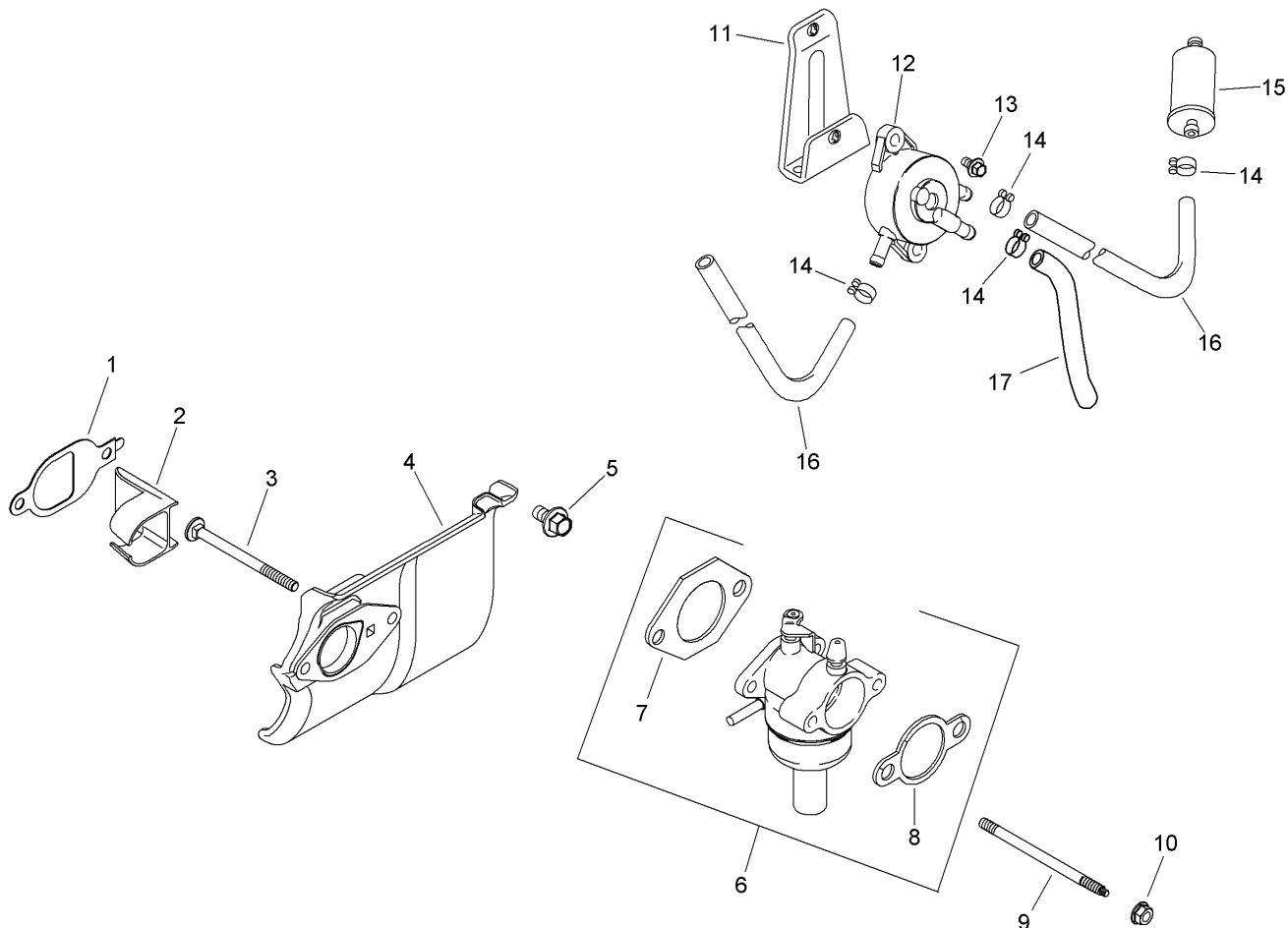
Ignition and Electrical Assembly Kohler SV590-0023

Ref	Part No.	Qty.	Description
1	20 162 02-S	1	Screen-Grass
2	25 086 125-S	1	Screw-Flange, Hex
3	25 468 09-S	1	Washer-Flat
4	20 146 05-S	1	Plate-Mounting, Fan
5	20 157 01-S	1	Fan
6	X-42-15-S	1	Key (.19 X .62)
7	20 025 35-S	1	Flywheel ASM
8	20 086 22-S	2	Screw-Drive, Trx HD
9	237878-S	1	Stator Kit (15 Amp)
10	41 403 10-S	1	Rectifier-Regulator
11	236602-S	1	Connector (3 Contact)
12	M-545020-S	2	Screw-HHFTF (M5X0.8X20)
13	25 132 14-S	1	Spark Plug (R F I)
14	20 154 04-S	2	Clip-Cable
15	20 584 03-S	1	Module-Ignition
16	M-561025-S	2	Screw-Socket, Hex (M5X0.8X25)
15	20 176 07-S	1	Harness-Wiring
15	25 452 01-S	2	Terminal



Starting System Assembly Kohler SV590-0023

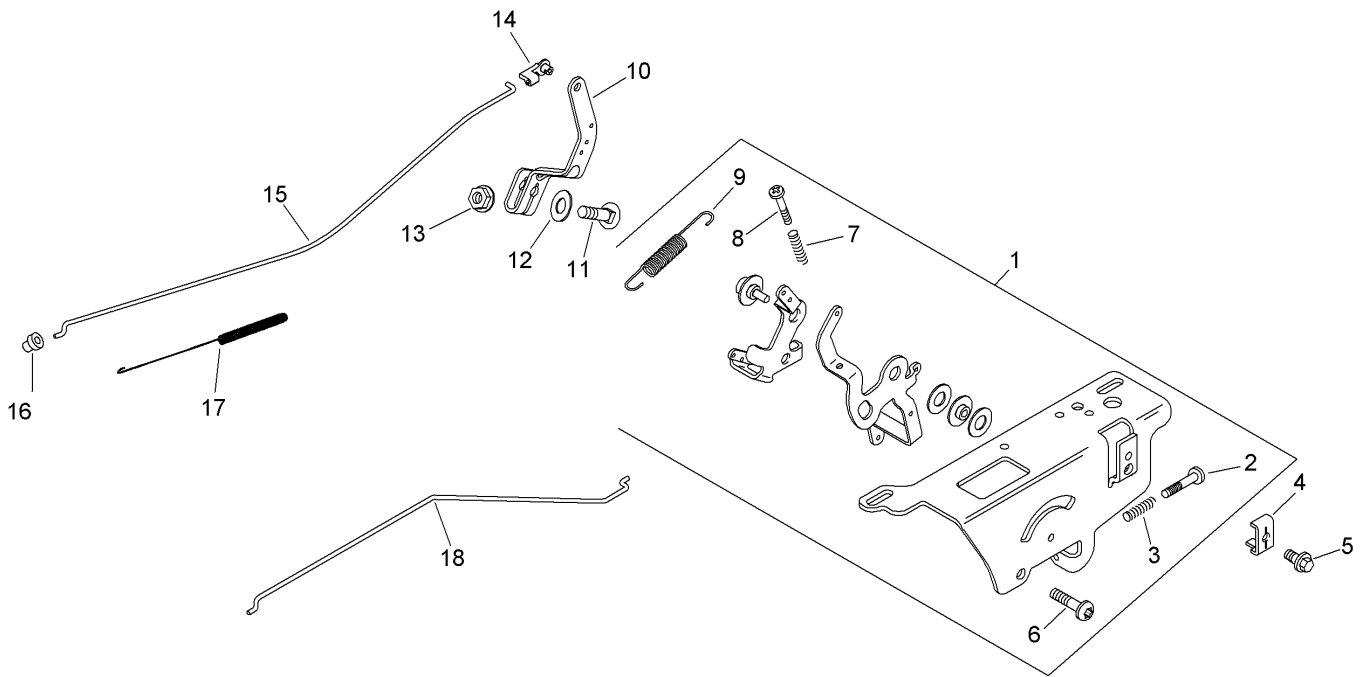
Ref	Part No.	Qty.	Description				
1	20 098 05-S	1	Starter ASM				
2	25 100 31-S	2	Nut-Flange, Hex Serrated (10-24)				
3	12 100 07-S	1	Nut-Flange, Hex (1/4-20)				
1	12 221 02-S	1	Brush Kit				
1	20 211 02-S	1	Bolt-Thru				
1	20 227 01-S	1	Cap-End, Drive (J E)				
1	20 755 12-S	1	Drive Kit (J E)				



Fuel System Assembly Kohler SV590-0023

Ref	Part No.	Qty.	Description
❶	20 041 18-S	1	Gasket-Deflector, Heat
❷	20 332 01-S	1	Insert-Port, Intake
❸	20 072 07-S	1	Stud-Carburetor
❹	20 265 07-S	1	Deflector-Heat
❺	M-651020-S	1	Screw-Flange, Hex (M6X1.0X20)
❻	20 853 14-S	1	Carburetor ASM (Includes Gaskets)
❼	12 041 01-S	1	Gasket-Carburetor
❽	12 041 02-S	1	Gasket-Base, Air Cleaner
❾	20 072 05-S	2	Stud-Mounting, Carburetor (M6X1.0X100)
❿	M-641060-S	2	Nut-Hex, Flange (M6X1.0)
⓫	20 126 02-S	1	Bracket-Mounting, Fuel Pump
⓬	24 393 16-S	1	Pump-Pulse, Fuel
⓭	M-545010-S	2	Screw-HHFTF (M5X0.8X10)
⓮	25 237 14-S	4	Clamp-Hose
⓯	25 050 22-S	1	Filter-Fuel
⓰	25 111 34-S	2	Line-Fuel (24 Inch, Cut to needed Length)
⓱	52 353 20-S	1	Line-Fuel (10 Inch)
⓲	M-645016-S	2	Screw-HHFTF (M6X1.0X16)
⓳	25 454 05-S	1	Tie
⓴	X-22-11-S	1	Washer-Lock, Internal Tooth (1/4)
⓵	25 431 02-S	1	Sleeve-Abrasion, Anti
⓶	12 755 110-S	1	Choke Shaft Kit

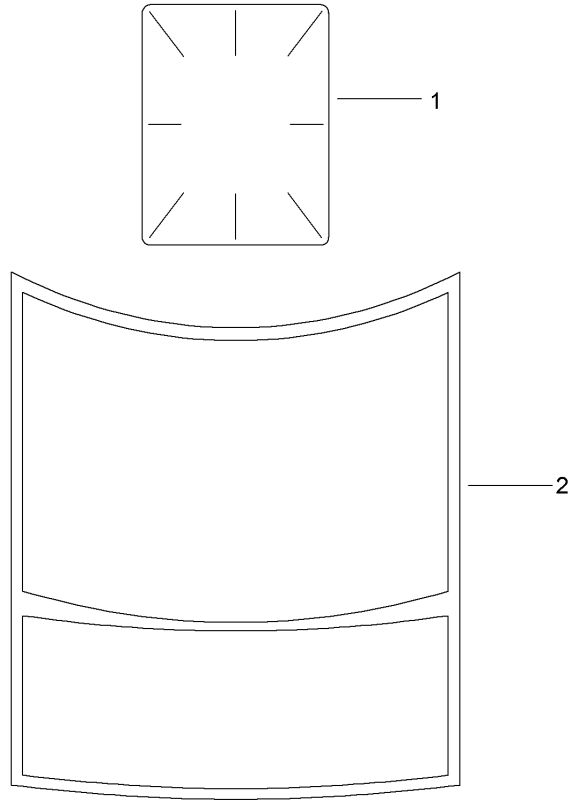
Ref	Part No.	Qty.	Description
⓷	12 757 02-S	1	Float Repair Kit
⓸	12 757 03-S	1	Carburetor Repair Kit
⓹	12 757 33-S	1	Solenoid Repair Kit
⓺	12 757 37-S	1	Bowl Replacement Repair Kit
⓻	20 755 06-S	1	High Altitude Kit (5, 000 Ft)
⓼	20 755 07-S	1	High Altitude Kit (10, 000 Ft)



Engine Control Assembly Kohler SV590-0023

Ref	Part No.	Qty.	Description
❶	20 536 05-S	1	Speed Control ASM
❷	20 086 10-S	1	Screw-Thread Forming (M4X0.7X25)
❸	20 086 18-S	1	Screw-Phl Thd Frm (M4X0.7X38)
❹	12 089 11-S	1	Spring-Control, Speed
❺	20 089 12-S	1	Spring-Control, Speed (Long)
❻	12 237 01-S	1	Clamp-Cable
❼	M-545016-S	1	Screw-HHFTF (M5X0.8X16)
❽	M-664020-S	2	Screw-Socket, 6 Lobed (Thread Forming, M6X1.0X20)
❾	20 086 10-S	1	Screw-Thread Forming (M4X0.7X25)
❿	20 086 18-S	1	Screw-Phl Thd Frm (M4X0.7X38)
⓫	20 089 11-S	1	Spring-Governor
⓬	20 090 02-S	1	Lever-Governor
⓭	52 211 04-S	1	Bolt-Square Neck, Round Head (1/4-20X1)
⓮	X-22-11-S	1	Washer-Lock, Internal Tooth (1/4)
⓯	12 100 07-S	1	Nut-Flange, Hex (1/4-20)
⓰	25 158 11-S	1	Bushing-Linkage, Throttle
⓱	20 079 04-S	1	Linkage-Throttle
⓲	25 158 08-S	1	Bushing-Retaining, Linkage
⓳	20 089 10-S	1	Spring-Linkage
⓴	20 079 05-S	1	Linkage-Choke (Single Wire)

--	--	--	--



Artwork is representative
Actual labels may differ depending on model and specification number

Decal Assembly Kohler SV590-0023

Ref	Part No.	Qty.	Description
1	25 113 39-S	1	Decal-Laminate, Clear
2	20 113 13-S	1	Decal (19 H P)

Attachments and Accessories

For 74380 - TimeCutter Z4200 Riding Mower

Product Name	Model/Part
Smooth Tread Front Tire Kit	110-6739
Hour Meter Kit	112-9763
42 Inch Blowout Ring Kit	114-1620
Armrest Kit	79212
42 Inch Replacement Blade Kit	79220
Foot Assist Cutting Unit Lift Kit	79313
Engine Cover Kit	79314
Floor Mat Kit	79315
Rear Engine Guard	79316
42 Inch and 50 Inch Twin Bagger	79324

NOTES

NOTES

