



Z589 Z Master® with a 72in TURBO FORCE® Side Discharge Mower

Model No. 74254—Serial No. 270000001 and Up

Addendum

Note: The following information is for 72 inch mower decks only. Keep this information with the *Operator's Manual*.

Important: To ensure proper mower belt tension, which will result in a longer belt life, check the mower belt tension after the first 8 hours of use and 8 hours after each belt change.

Replacing the Mower Belt for 72in Mower Decks

Squealing when the belt is rotating, blades slipping when cutting grass, frayed belt edges, burn marks and cracks are signs of a worn mower belt. Replace the mower belt if any of these conditions are evident.

1. Disengage the PTO, move the motion control levers to the neutral locked position and set the parking brake.
2. Stop the engine, remove the key, and wait for all moving parts to stop before leaving the operating position.
3. Remove the belt covers (Figure 1).

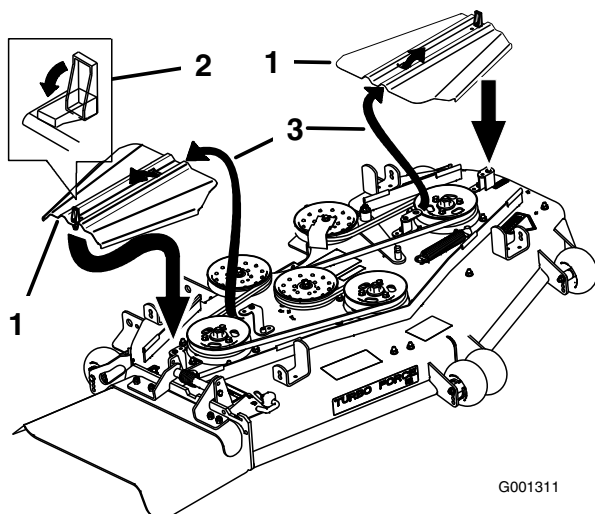


Figure 1

1. Belt cover
2. Latch
3. Insert slot into the tab

4. Loosen the idler plate bolts holding the idler plate (Figure 4).

5. Remove the idler spring.
6. Remove the belt guide on the spring loaded idler pulley shown in Figure 2 and Figure 4.
7. Remove the existing belt.
8. Install the new belt around the mower pulleys and the gearbox pulley under the engine (Figure 2).

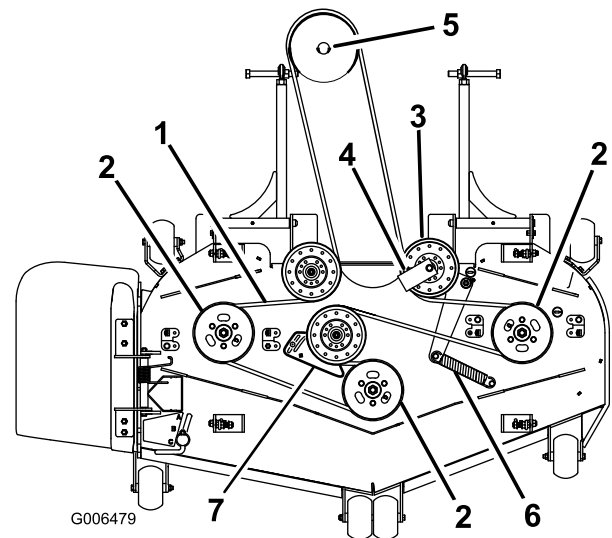


Figure 2

1. Mower belt
2. Mower spindle pulley
3. Spring loaded idler pulley
4. Belt guide at a 45 degree angle
5. Gearbox pulley
6. Idler spring
7. Idler plate

9. Install the belt guide on the spring loaded idler at a 45 degree angle as shown in Figure 2 and Figure 4. Torque the bolt to 27 to 33 ft-lb (37 to 45 N-m).
10. Install the idler spring to the two posts (Figure 2 and Figure 4).
11. Adjust the belt tension, refer to Adjusting the Mower Belt Tension.
12. Install the belt covers by sliding the cover into the tab, install the bolts, and close the latches (Figure 3).

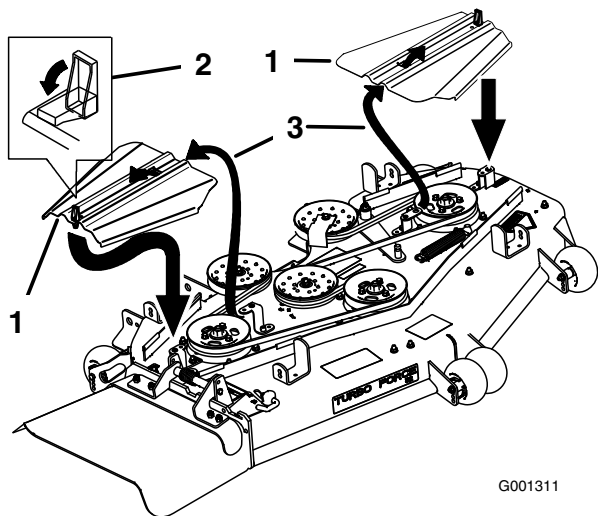


Figure 3

1. Belt cover
2. Latch
3. Insert slot into the tab

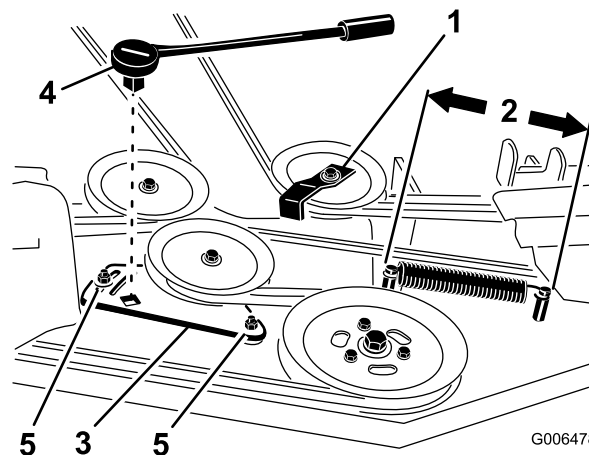


Figure 4

1. Belt guide install at a 45 degree angle
2. Idler spring length (between 10 and 10-1/4 inches (25.4 and 26.0 cm))
3. Idler plate
4. Ratchet or breaker bar
5. Idler plate bolt

Adjusting the Mower Belt Tension for 72 inch Mower Decks

Service Interval: After the first 8 hours

1. Disengage the PTO, move the motion control levers to the neutral locked position, and set the parking brake.
2. Stop the engine, remove the key, and wait for all moving parts to stop before leaving the operating position.
3. Adjust the mower deck to the 3 inch (76mm) height-of-cut position.
4. Measure the spring length (Figure 4). If the spring length is between 10 and 10-1/4 inches (25.4 and 26.0 cm), from post to post, no adjustment is needed.
5. Loosen the bolts holding the idler plate (Figure 4).
6. Insert a ratchet or breaker bar into the square hole in the idler plate to adjust the tension (Figure 4).
7. Rotate the ratchet or breaker bar to move the idler plate until the idler spring is between 10 and 10-1/4 inches (25.4 and 26.0 cm) from post to post as shown in Figure 4.
8. While holding the belt tension and spring length, tighten the idler plate bolts that secure the idler plate (Figure 4).