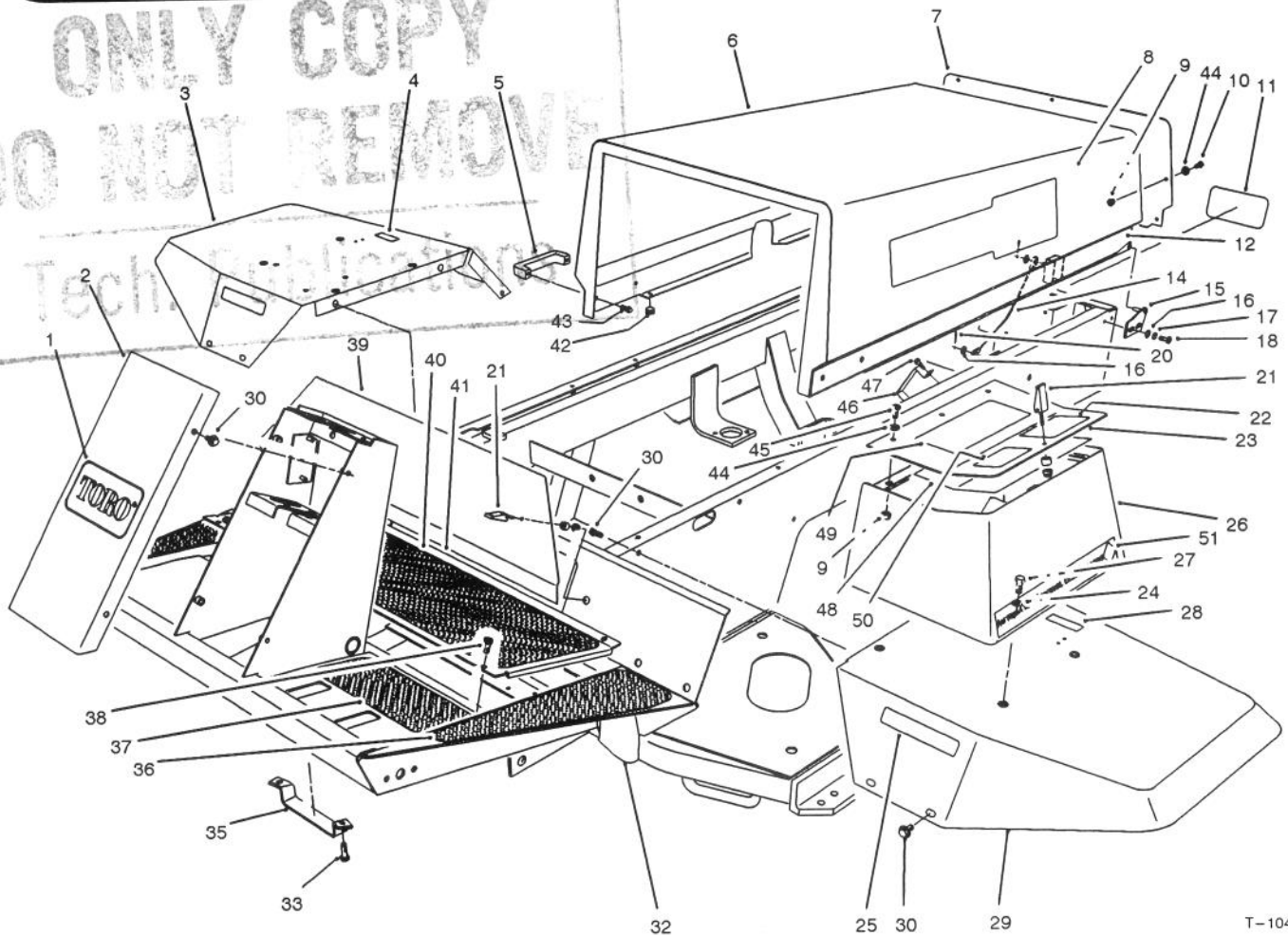


TORO[®]

MODEL NO. 03500-22001 & UP

**PARTS
CATALOG****REELMASTER[®] 223D
TRACTION UNIT WITH ACCESSORIES**

T-1043

FRAME & BODY ASSEMBLY

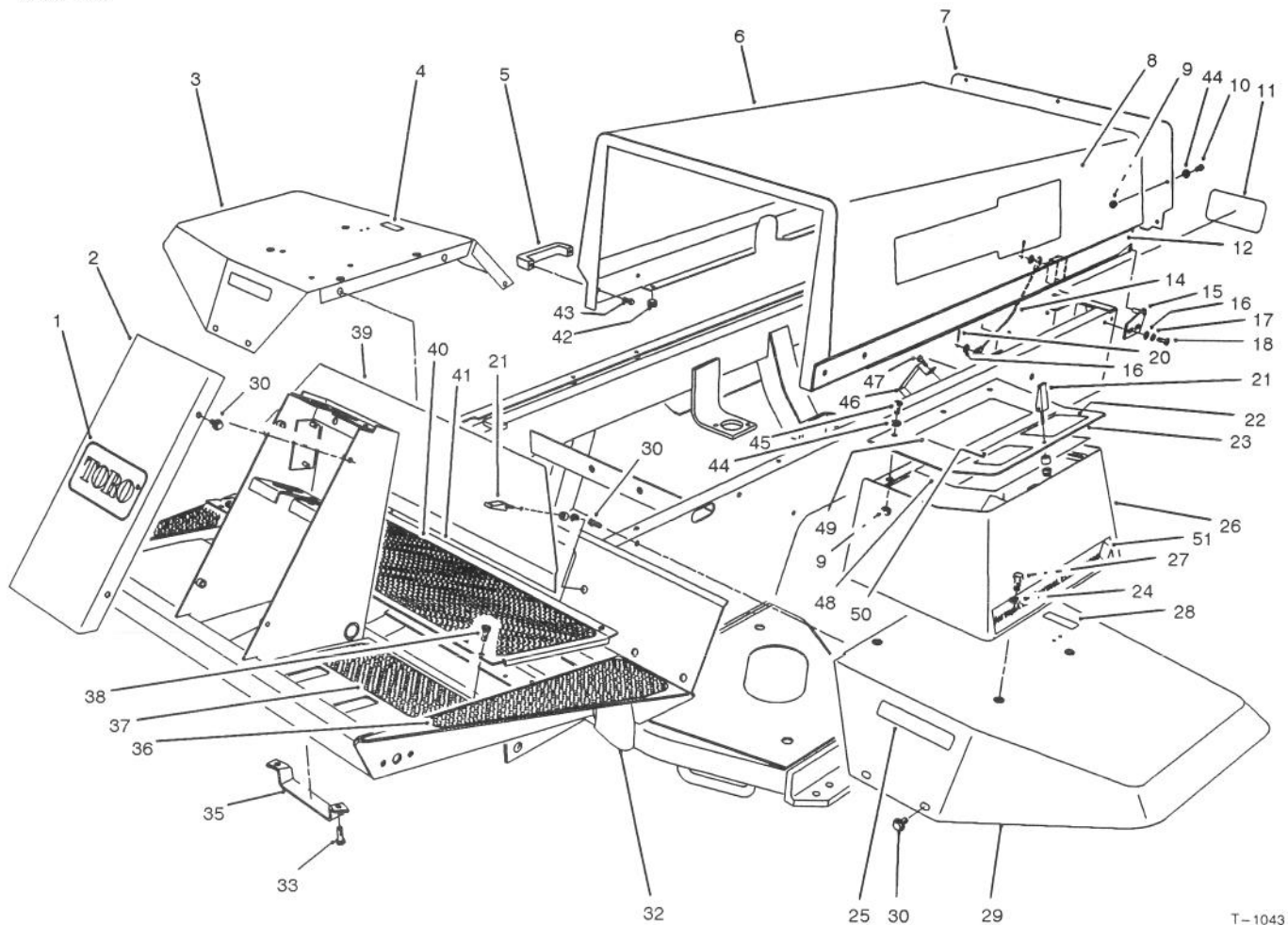
Ref. No.	Part No.	Description	No. Used	Ref. No.	Part No.	Description	No. Used
1	62-5550	Decal - TORO	1	16	3256-23	Washer - Flat	6
2	75-1420	Cover - Steering Tower	1	17	3253-4	Washer - Lock	14
3	75-3840	Fender - R.H.	1	18	322-5	Screw - Cap Hex. Hd.	4
‡4	85-4730	Decal - Hydraulic Oil (English)	1	20	3272-4	Pin - Cotter	2
5	65-5100	Handle	2	21	74-5950	Swell Latch Assembly	3
6	75-0890	Hood	1	‡22	75-1280	Decal - Warning (English)	1
7	75-2820	Grill - Hood	1	23	75-6260	Cover - Tool Box	1
8	75-0660	Decal - Reelmaster [®] 223D	2	24	3256-3	Washer - Flat	4
9	3296-42	Nut - Lock	10	‡25	75-5190	Decal - No Riders (English)	2
10	321-39	Screw - Cap Hex. Hd.	7	26	75-5810	Box - Tool	1
11	62-7400	Decal - TORO	1	27	322-3	Screw - Cap Hex. Hd.	4
12	75-0670	Decal - Hood Trim L.H.	1	‡28	52-1320	Decal - Fuel (English)	1
*	75-0680	Decal - Hood Trim R.H.	1	29	75-3860	Fender - L.H.	1
14	75-0570	Cable - Hood	1	30	3234-14	Screw - Hex. Washer Hd.	14
15	63-6900	Hinge - Hood L.H.	1	32	85-4600	Frame Assembly	1
*	63-6890	Hinge - Hood R.H.	1	33	322-4	Screw - Cap Hex. Hd.	2
				35	75-2860	Bracket - Hose	1

‡For different language versions of this part, see International Decal Cross Reference.

*Not Illustrated

© The TORO Company -1992

TPS



T-1043

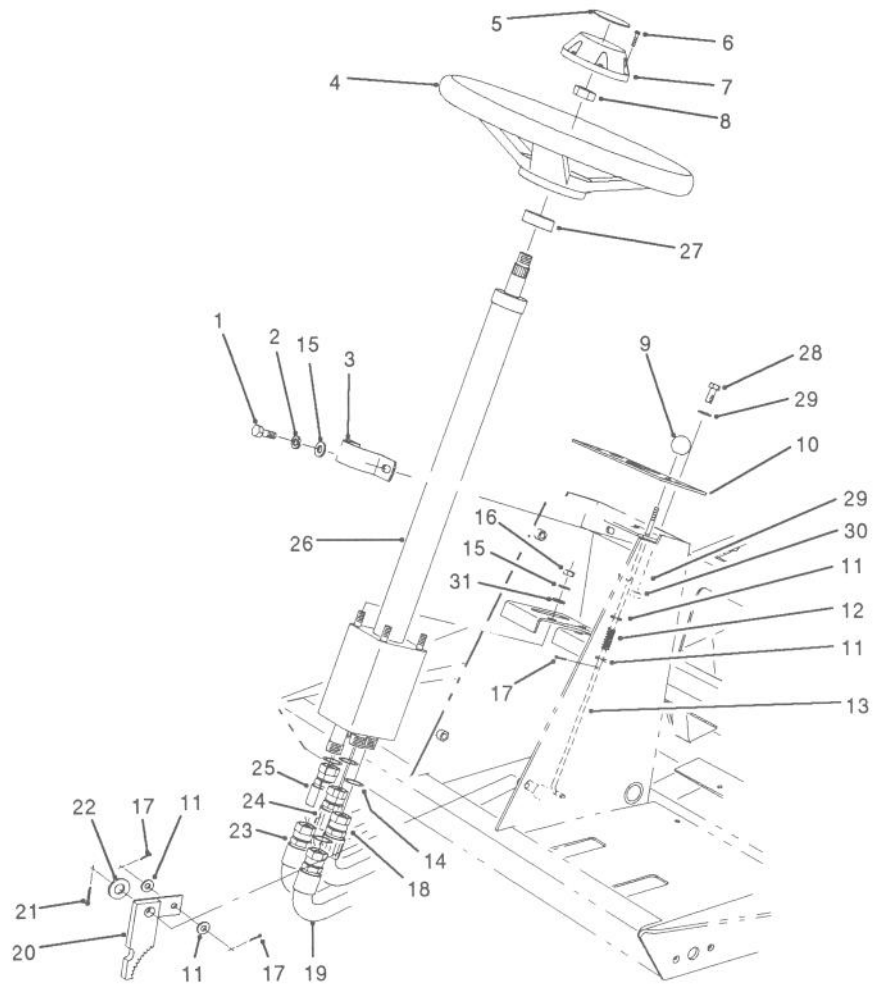
FRAME & BODY ASSEMBLY (Continued)

Ref. No.	Part No.	Description	No. Used
36	75-0650	Tread - Footrest L.H.	1
*	75-0640	Tread - Footrest R.H.	1
37	75-0620	Tread - Foot L.H.	1
*	75-0610	Tread - Foot R.H.	1
38	75-6840	Knob - Knurled	4
39	75-1390	Panel - Access	1
40	75-0630	Tread - Foot Center	1
41	75-1410	Panel - Floor	1
42	237-141	Bumper	2
43	46-8091	Screw - Cap Hex. Hd.	4

Ref. No.	Part No.	Description	No. Used
44	3256-1	Washer - Flat	10
45	3258-166	Screw - Phillip Hd.	3
46	75-6280	Bracket - Hose	1
47	49-2040	Screw - Hex. Washer Hd.	2
‡48	75-0730	Decal - Instructions (English)	1
‡49	75-7540	Decal - Warning (English)	1
‡50	62-6280	Decal - ANSI (English) (For Reference Only)	1
51	88-0430	Decal - A.C.E.	2

*Not Illustrated

‡For different language versions of this part, see International Decal Cross Reference.



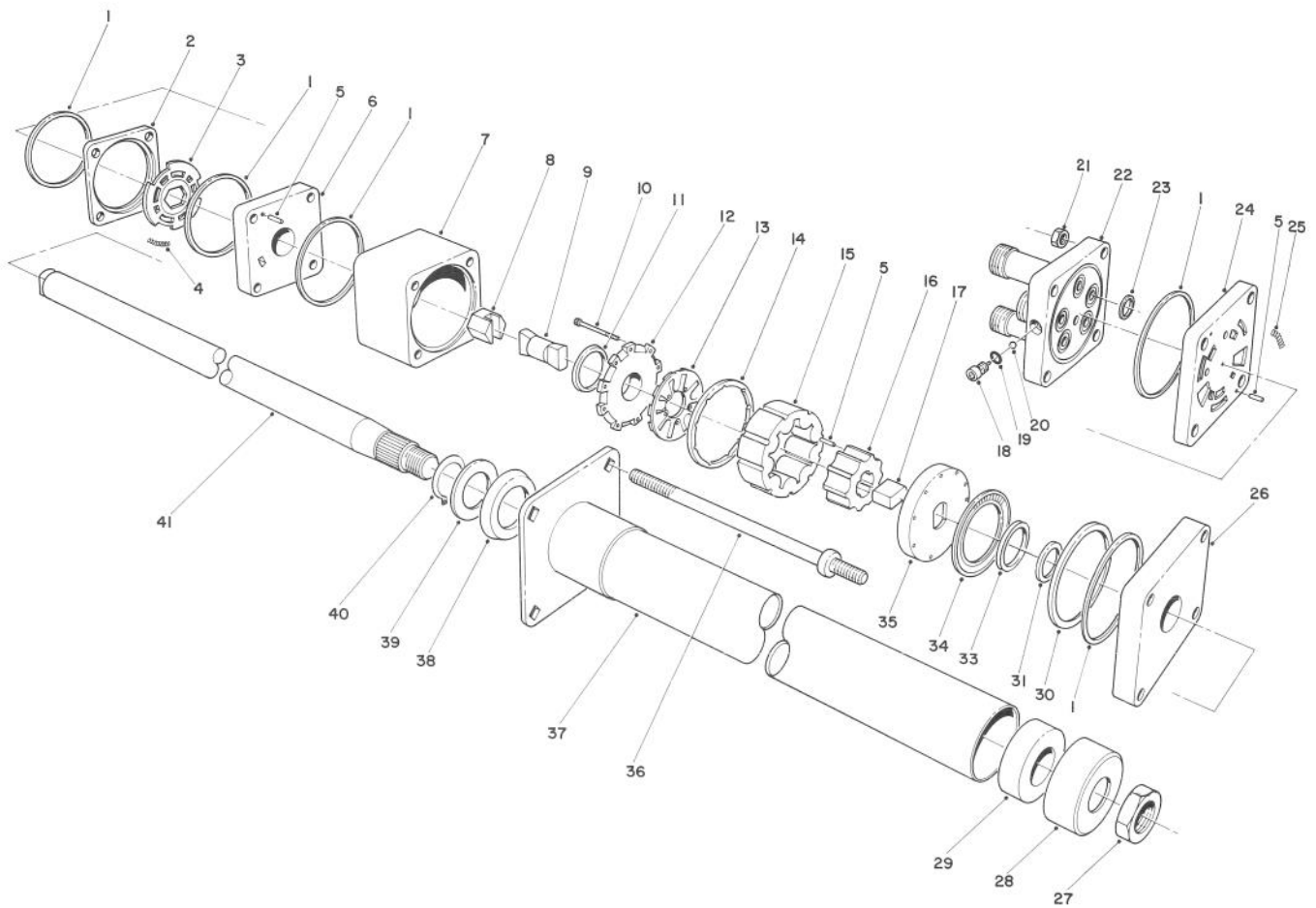
T-1044

STEERING TOWER ASSEMBLY

Ref. No.	Part No.	Description	No. Used
1	322-3	Screw - Cap Hex. Hd.	2
2	3253-4	Washer - Lock	2
3	75-2810	Clamp - Steering Valve	1
4	75-0560	Wheel - Steering	1
5	68-5370	Decal - TORO	1
6	32144-21	Screw	1
7	68-5140	Cap - Steering Wheel	1
8	3220-6	Nut - Steering Wheel	1
9	233-17	Knob - Parking Brake	1
10	75-0580	Panel - Tower	1
11	3256-22	Washer - Flat	4
12	3-3251	Spring - Compression	1
13	75-1490	Rod - Parking Brake	1
14	237-22	Seal - O-Ring	5
15	3256-23	Washer - Flat	6
16	3296-20	Nut - Lock	4
17	3272-5	Pin - Cotter	3

Ref. No.	Part No.	Description	No. Used
18	75-6230	Hose - Hydraulic RT	1
19	75-6240	Hose - Hydraulic IN	1
20	63-7900	Rack - Parking Brake	1
21	3272-10	Pin - Cotter	1
22	3256-26	Washer - Flat	1
23	75-5940	Hose - Hydraulic AUX	1
24	75-6220	Hose - Hydraulic LT	1
25	75-6250	Hose - Hydraulic OUT	1
26	75-0600	Steering Valve Assembly (Incl. Ref. #14)	1
27	21-9260	Seal - Shaft	1
28	3258-166	Screw - Phillip Hd.	2
29	3256-1	Washer - Flat	2
30	3296-42	Nut - Lock	2
31	3256-23	Washer - Lock E.T.L.W.	1
*	3290-378	Tie - Cable	3

*Not Illustrated

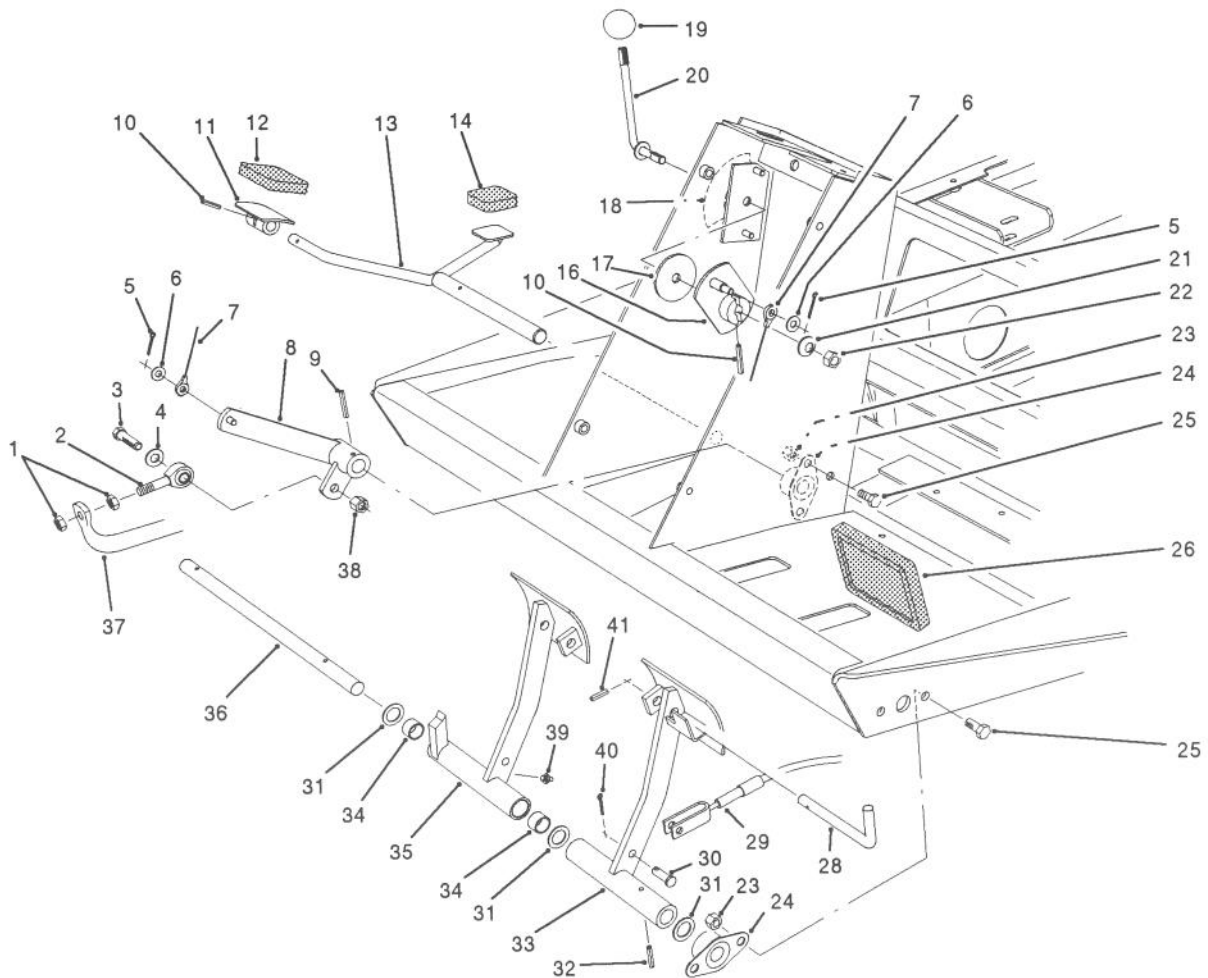


T-0417

STEERING VALVE ASSEMBLY No. 75-0600

Ref. No.	Part No.	Description	No. Used	Ref. No.	Part No.	Description	No. Used
1		Ring-Seal	5	26		Plate-Cover, Upper	1
2		Ring-Valve	1	27	3220-6	Nut	1
3		Plate-Valve	1	28	66-9770	Seal	1
4		Spring	3	29	66-9780	Bushing	1
5		Pin-Alignment	9	30		Spacer-Bearing, Thrust	1
6		Manifold-Isolation	1	31		Spacer-Seal	1
7		Ring-Metering	1	33		Seal-Face	1
8		Hex Drive Assy.	1	34		Bearing-Thrust	1
9		Link-Drive	1	35		Plate-Drive	1
10		Screw-Hex Socket Hd.	11	36	66-9850	Bolt-Special	4
11		Seal-Commutator	1	37	66-9860	Upper Cover & Jacket	1
12		Cover-Commutator	1	38	66-9870	Plate-Retaining	1
13		Commutator	1	39	66-9880	Washer-Retaining Plate	1
14		Ring-Commutator	1	40	66-9890	Ring-Retaining	1
15		Stator	1	41	66-9900	Shaft-Input	1
16		Rotor	1	*	66-9970	Spring Kit (Incl. Ref. #4 & 25)	1
17		Spacer-Drive Link	1	*	66-9980	Seal-Kit (Incl. Ref. #1, 11, 19, 23 & 33)	1
18		Plug	1	*	66-9990	Needle Roller Kit (Incl. Ref. #5)	1
19		O-Ring	1	*	75-0600	Valve-Power Steering (Incl. Ref. #1-26 & 30-36)	1
20		Ball	1				
21		Nut-Hex	4				
22		Cover-Port	1				
23		O-Ring	5				
24		Manifold-Port	1				
25		Spring	3				

*Not Illustrated



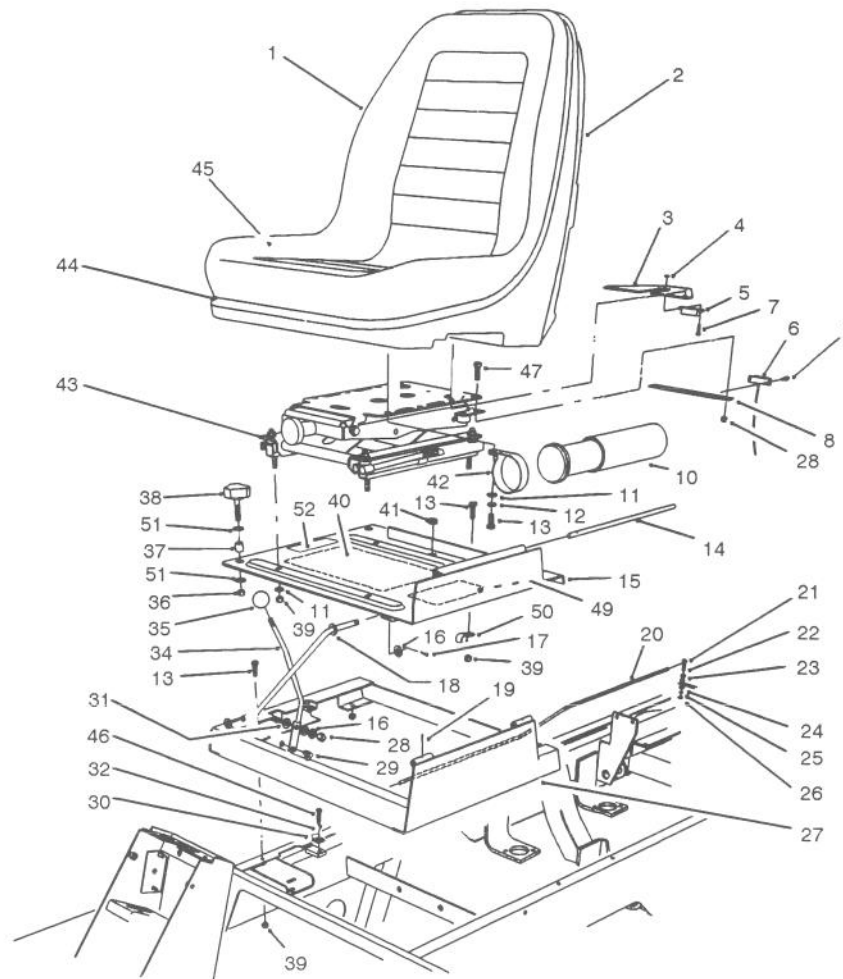
T-1045

TRACTION & BRAKE PEDALS ASSEMBLY

Ref. No.	Part No.	Description	No. Used	Ref. No.	Part No.	Description	No. Used
1	3220-3	Nut - Jam	2	22	3296-59	Nut - Lock	1
2	2411-36	Bearing - Rod End	1	23	3296-29	Nut - Lock	8
3	323-8	Screw - Cap Hex. Hd.	1	24	256-236	Bearing - Flange	4
4	3256-24	Washer - Flat	1	25	322-3	Screw - Cap Hex. Hd.	8
5	3272-2	Pin - Cotter	2	26	7-3900	Pad - Brake	2
6	3256-22	Washer - Flat	2	28	63-7880	Pin - Brake Latch	1
7	75-6580	Cable - Pedal	1	29	63-7733	Cable - Brake L.H.	1
8	75-3270	Lever - Traction Pivot	1	*	63-7732	Cable - Brake R.H.	1
9	32121-6	Pin - Roll	1	30	283-58	Pin - Clevis	4
10	32121-45	Pin - Roll	2	31	3256-69	Washer - Thrust	3
11	49-6440	Plate - Traction Pedal	1	32	32121-16	Pin - Roll	1
12	74-9100	Pad - Forward	1	33	75-1440	Pedal - Brake L.H.	1
13	75-2970	Pedal - Traction	1	34	256-42	Bushing - Sleeve	2
14	74-9110	Pad - Reverse	1	35	75-1430	Brake Pedal Assembly R.H. (Incl. Ref. #34 & 39)	1
16	75-6510	Lever - Bracket	1	36	75-1470	Shaft - Brake Pedal	1
17	75-6550	Disc - Friction	1	37	75-2170	Tube - Pump Control	1
‡18	75-6710	Decal - Fast/Slow (English)	1	38	3296-39	Nut - Lock	1
19	233-42	Knob	1	39	302-5	Fitting - Grease	1
20	75-6490	Lever - Pedal Stop	1	40	3272-10	Pin - Cotter	4
21	3290-461	Washer - Belleville	1	41	32121-50	Pin - Roll	1

*Not Illustrated

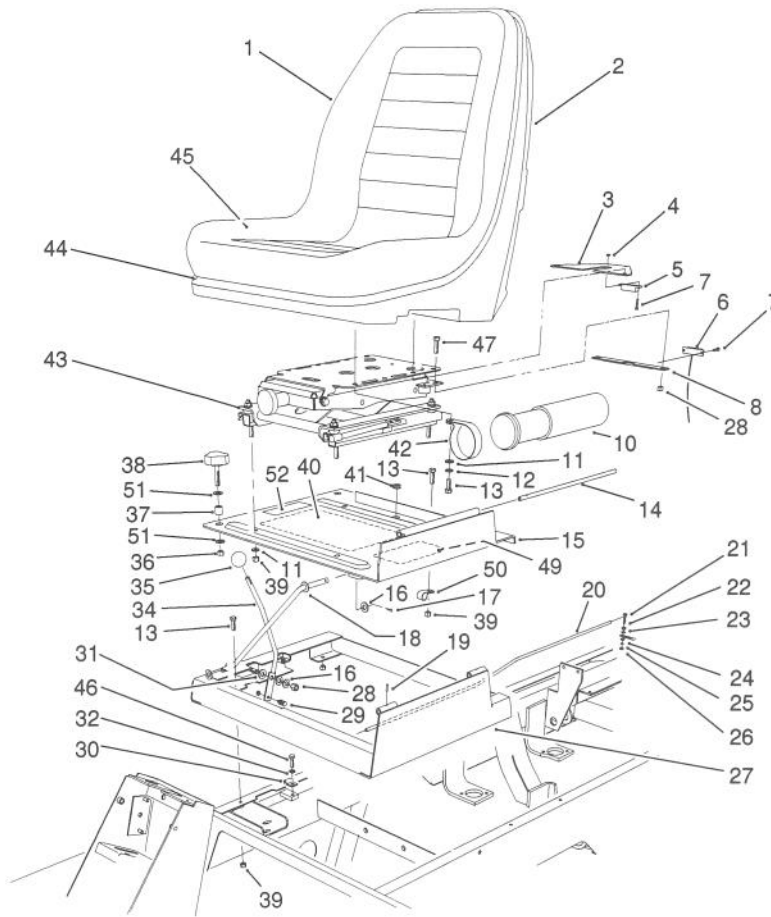
‡For different language versions of this part, see International Decal Cross Reference.



T-1046

SEAT & THROTTLE ASSEMBLY

Ref. No.	Part No.	Description	No. Used	Ref. No.	Part No.	Description	No. Used
1	66-5400	Seat Assembly (Incl. Ref. #2 & 44-45)	1	24	67-5130	Washer - Flat	2
2	67-9560	Shell - Seat	1	25	67-5140	Washer - I.T.L.W.	2
3	75-4370	Bracket - Switch (Seat)	1	26	67-5150	Nut - Hex.	2
4	3296-54	Nut - Lock	4	27	75-3300	Frame - Seat	1
5	75-6330	Magnet - Switch	1	28	3296-39	Nut - Lock	3
6	75-6320	Sensor - Switch	1	29	63-6760	Throttle Cable Swivel Assy. (Incl. Ref. #21-26)	2
7	3250-29	Screw - Cap Hex. Hd.	4	30	3-6657	Clamp - Cable	1
8	75-4360	Bracket - Switch	1	31	66-2920	Spacer - Throttle	2
10	74-0720	Tube - Manual	1	32	3253-3	Washer - Lock	1
11	3256-2	Washer - Flat	8	34	75-3430	Rod - Throttle	1
12	3253-4	Washer - Lock	4	35	233-42	Knob - Throttle	1
13	322-3	Screw - Cap Hex. Hd.	9	36	3296-59	Nut - Lock	2
14	75-3400	Shaft - Seat Pivot	1	37	75-5270	Spacer - Locking Knob	2
15	75-3880	Plate - Seat	1	38	75-5260	Knob - Locking	2
16	3256-24	Washer - Flat	3	39	3296-29	Nut - Lock	9
17	3272-11	Pin - Cotter	2	40	75-0760	Decal - Solenoid Info.	1
18	75-3680	Rod - Seat	1	41	237-141	Grommet	1
19	32121-38	Pin - Roll	1	42	2412-133	Clamp - R	2
20	75-1350	Cable - Throttle	1	43		Seat Suspension Assembly	1
21	67-5110	Screw - Special	2	44		Edging - Seat	1
22	67-5100	Sleeve - Connector	2	45	67-9550	Kit - Seat Cushion	1
23	67-5120	Washer - Spring	2	46	321-4	Screw - Cap Hex. Hd.	1

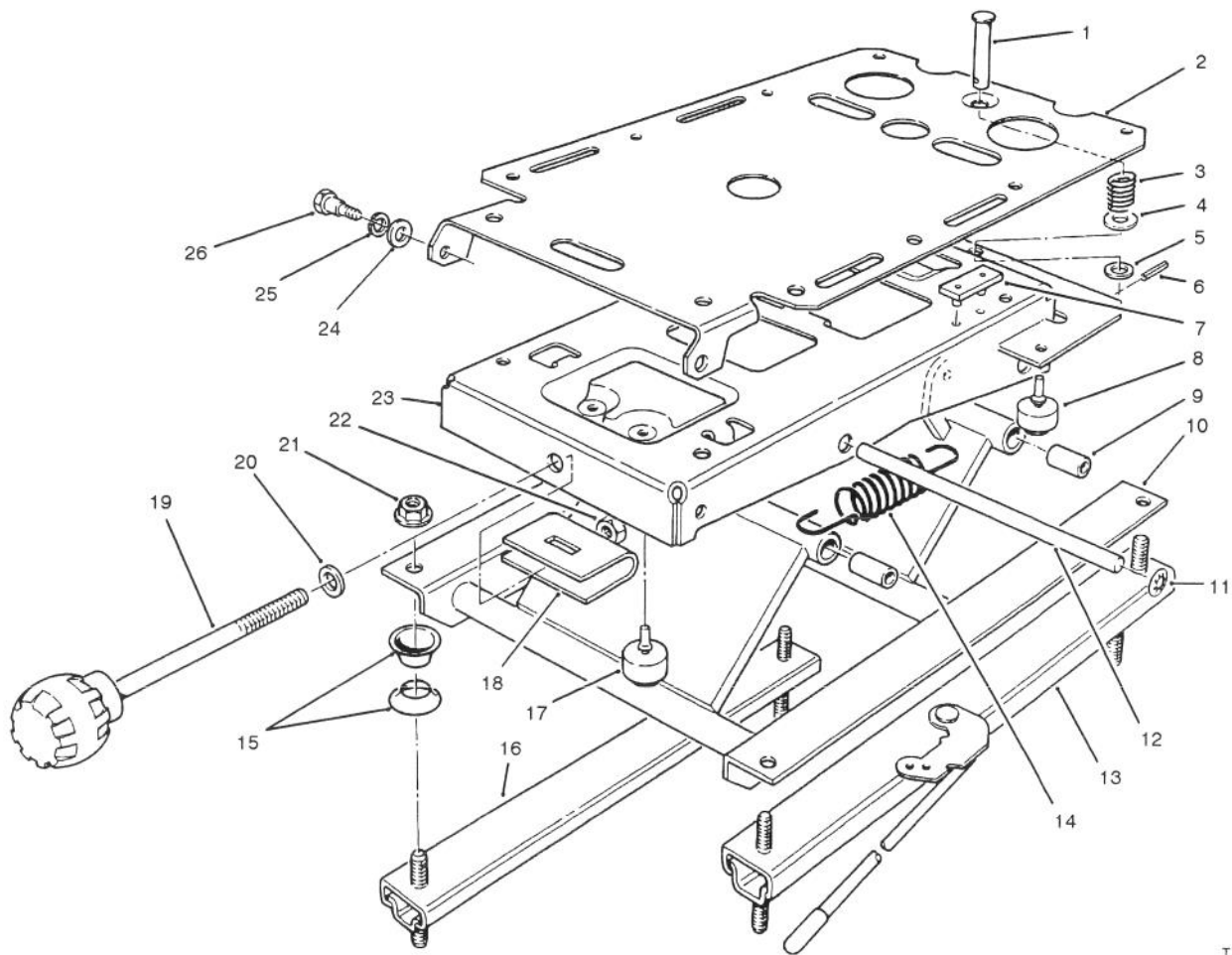


T-1046

SEAT & THROTTLE ASSEMBLY (Continued)

Ref. No.	Part No.	Description	No. Used	Ref. No.	Part No.	Description	No. Used
47	323-4	Screw - Cap Hex. Hd.	2	51	52-2860	Washer - Flat	4
‡49	75-6830	Decal - Danger (English)	1	‡52	83-7440	Decal - Knob (English)	1
50	2412-93	Clamp - R	1				

‡For different language versions of this part, see International Decal Cross Reference.

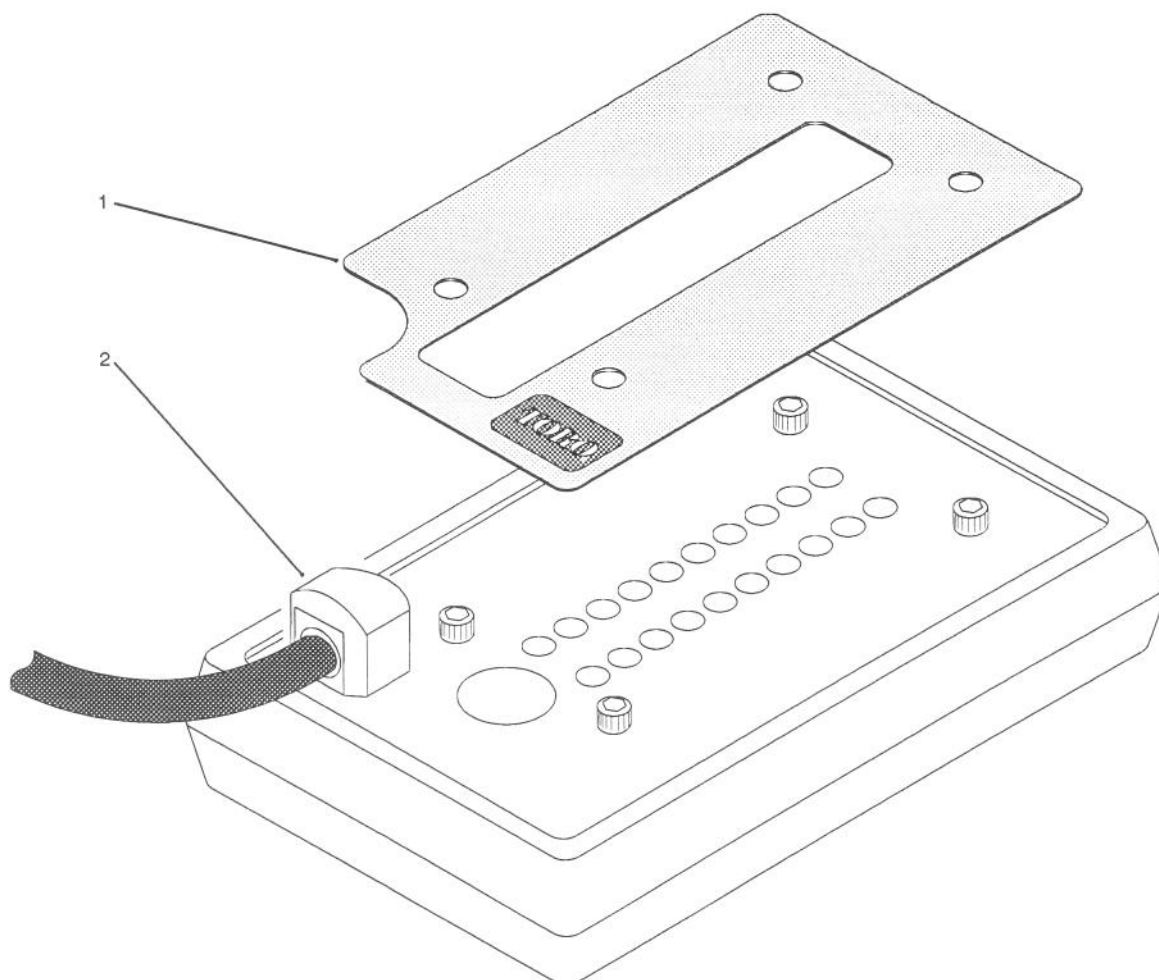


T-1031

SEAT SUSPENSION ASSEMBLY

Ref. No.	Part No.	Description	No. Used
1	80-4860	Pin-Clevis	1
2	75-3580	Plate-Mounting, Seat	1
3	75-3530	Spring-Compression	1
4	3256-5	Washer - Flat	1
5	3256-24	Washer	1
6	75-3540	Pin-Roll	1
7	75-3550	Bumper-Seat	2
8	76-2940	Bumper-Rubber	2
9	76-1920	Bushing-Sleeve	4
10	66-8610	Weldment-Lower	1
11	66-8560	Nut-Push	4
12	76-1910	Shaft-Pivot	2
13	82-9060	Adjuster W/Handle	1

Ref. No.	Part No.	Description	No. Used
14	76-1940	Spring-Extension	2
15	66-9290	Spacer	6
16	66-8530	Adjuster	1
17	66-8520	Bumper-Downstop	2
18	77-2870	Weldment-Hanger	1
19	76-1930	Knob-Tension Adjustment	1
20	3256-46	Washer-Flat	1
21	32128-26	Nut-Flange	4
22	3296-44	Nut-Lock	1
23	75-3480	Weldment-Upper	1
24	3256-26	Washer-Flat	2
25	3253-6	Washer-Lock	2
26	75-3510	Bolt-Shoulder	2

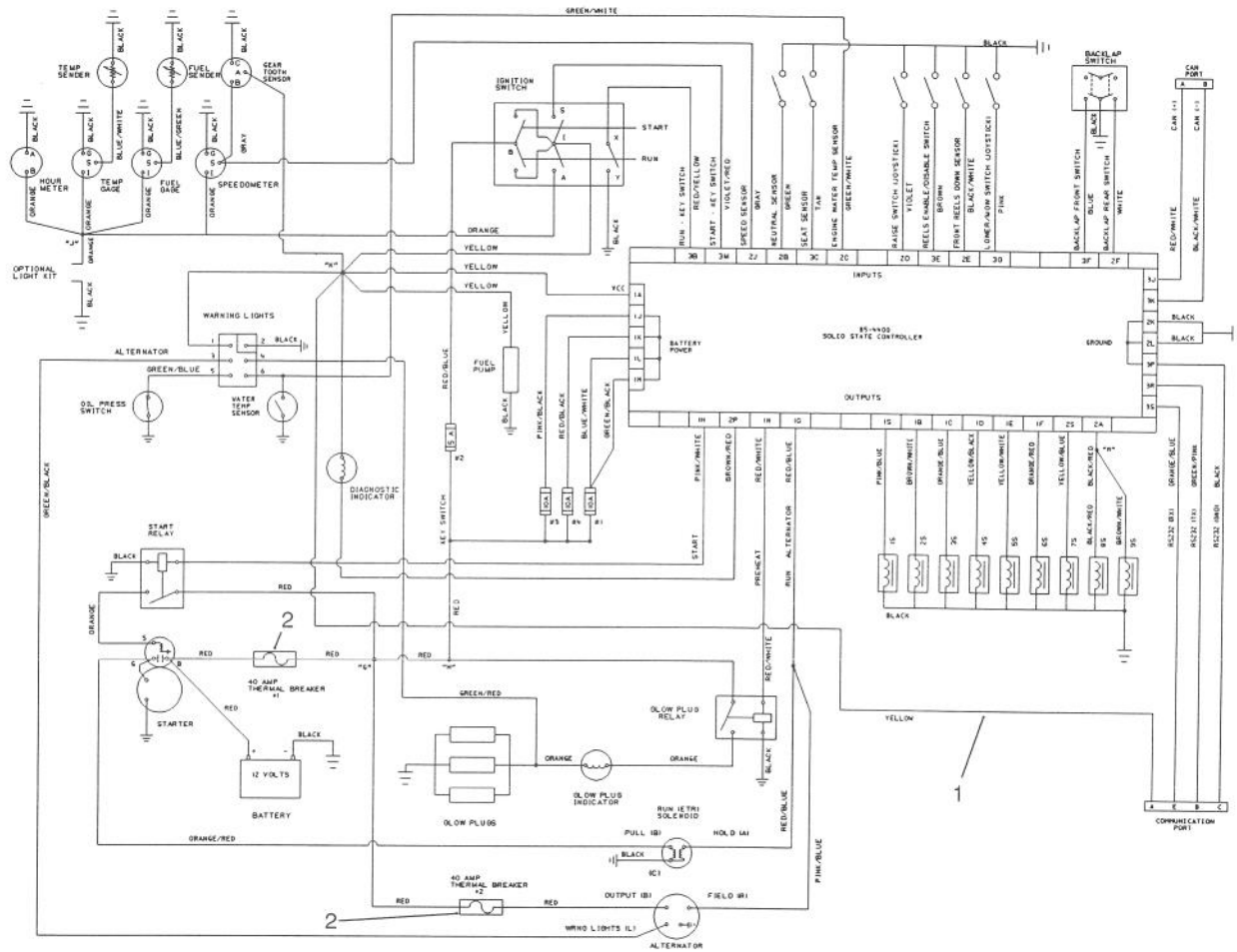


T-1458

DIAGNOSTIC-ACE DISPLAY ASSEMBLY

Ref. No.	Part No.	Description	No. Used
1	85-4820	Decal - Diagnostic-ACE RM 223D V 2.0	1

Ref. No.	Part No.	Description	No. Used
2	85-4750	Box - Diagnostic-ACE	1

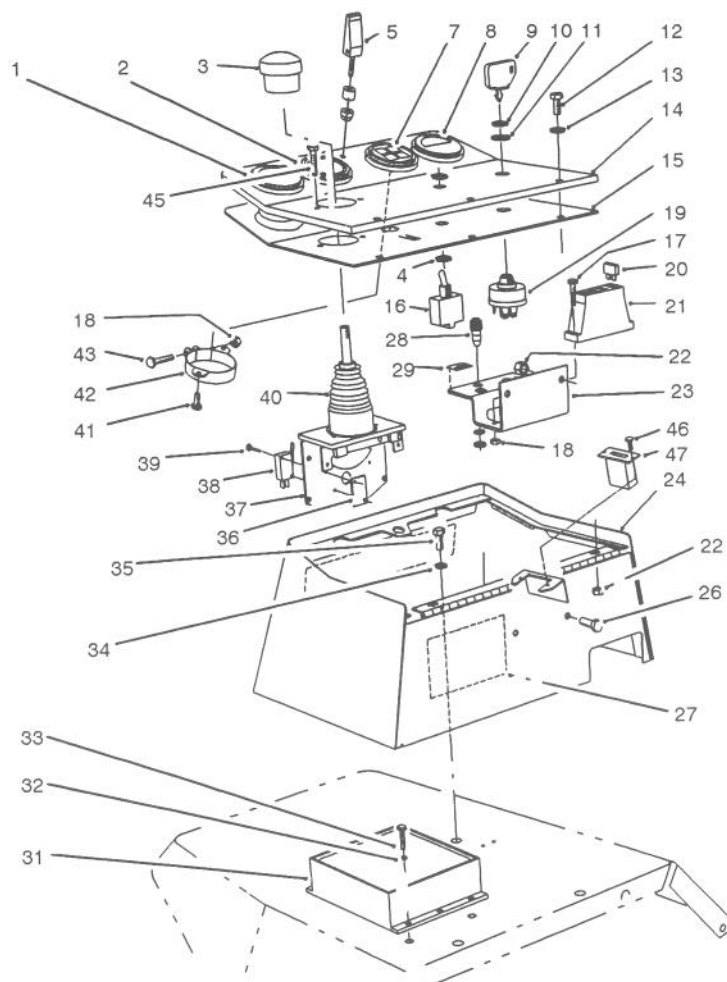


T-1143

ELECTRICAL SCHEMATIC

Ref. No.	Part No.	Description	No. Used
1	85-4360	Harness - Wire Main	1

Ref. No.	Part No.	Description	No. Used
2	70-8570	Breaker - Circuit	2



T-1047

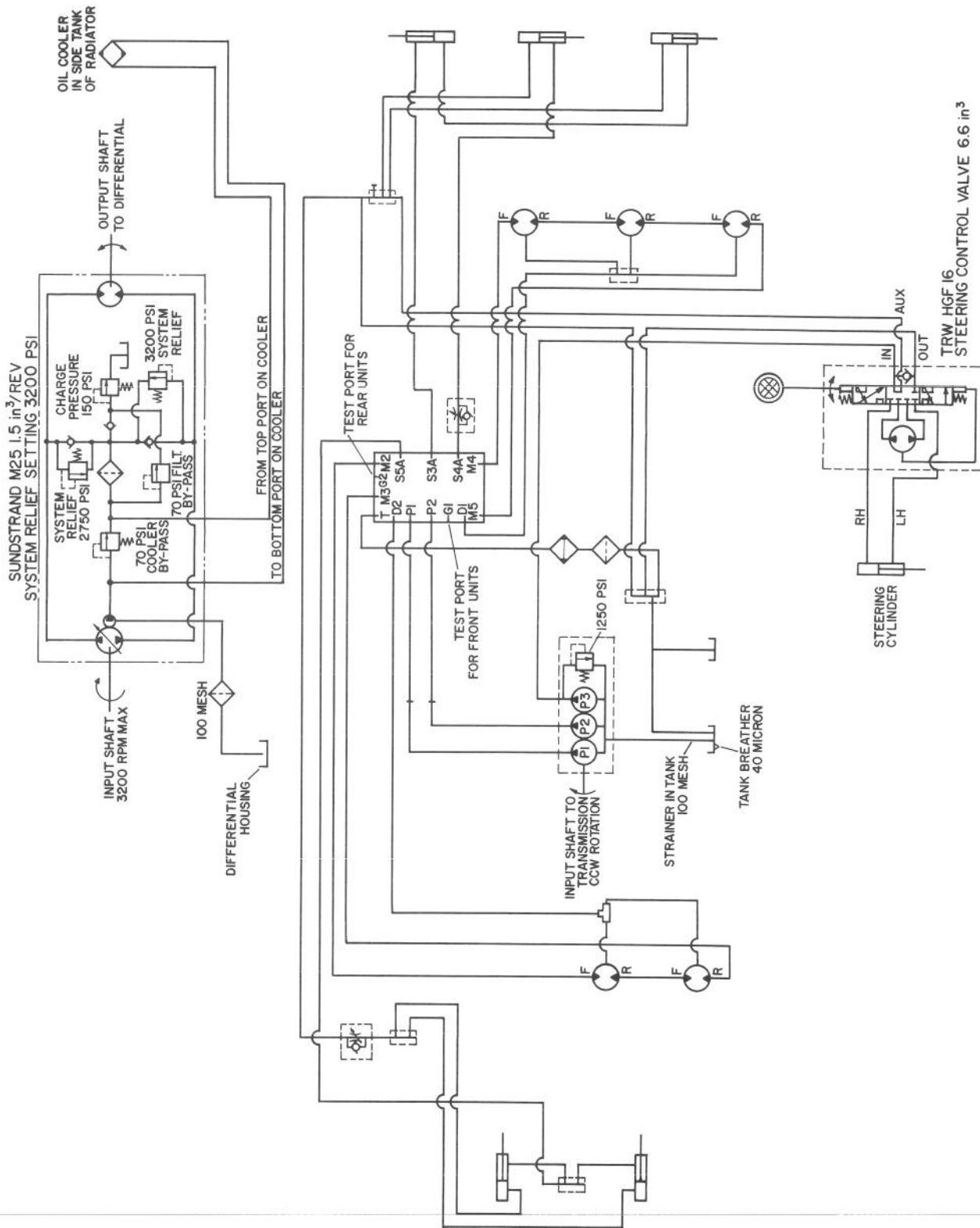
CONTROL CONSOLE ASSEMBLY

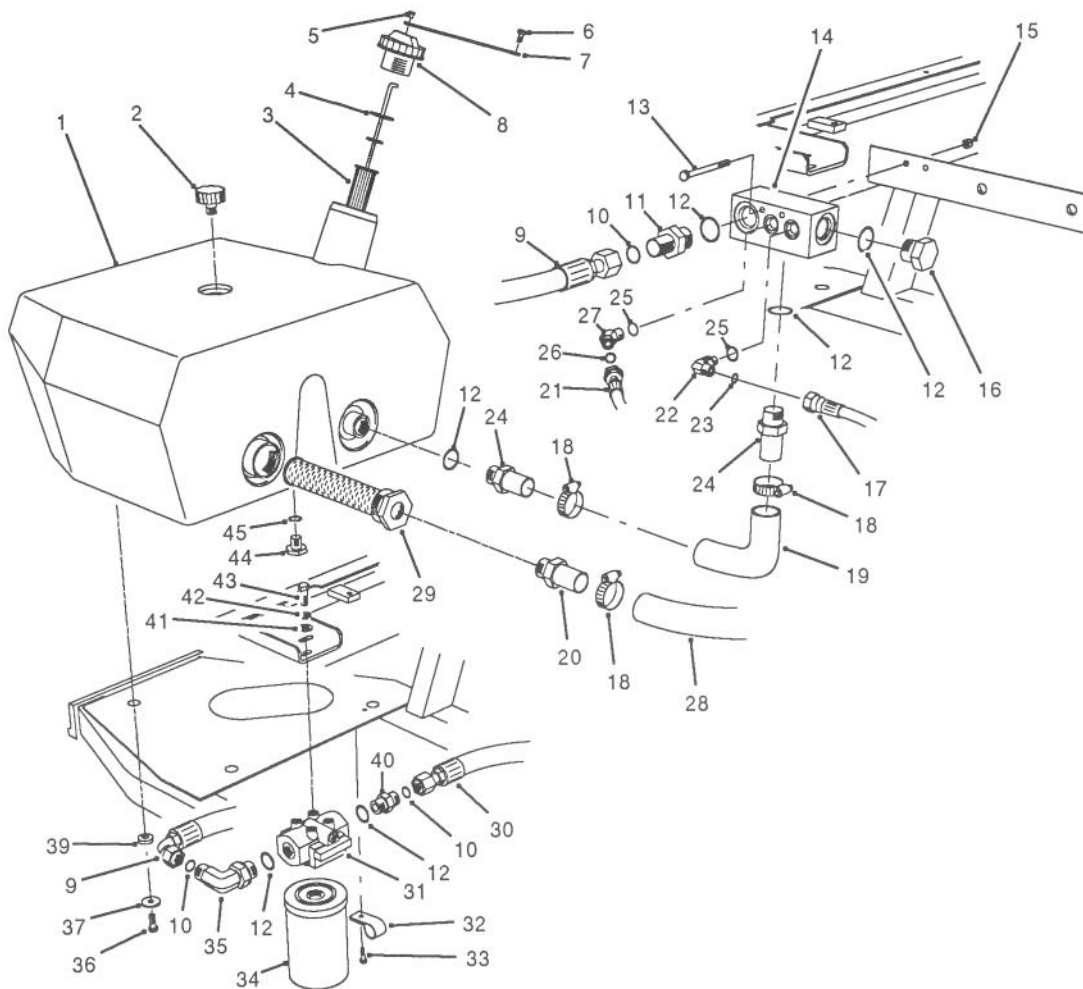
Ref. No.	Part No.	Description	No. Used	Ref. No.	Part No.	Description	No. Used
1	66-2940	Gauge - Fuel	1	24	75-5740	Box - Control	1
2	85-4420	Gauge - Speedometer	1	26	321-39	Screw - Cap Hex. Hd.	2
3	3290-489	Knob - Lift Control	1	‡27	85-4720	Decal - Instruction (English)	1
4	218-498	Nut - Hex.	2	28	219-19	Bulb - Light	3
5	249-48	Swell Latch Assembly	1	29	85-4830	Decal - Diagnostic Light	1
7	66-2960	Cluster - Warning	1	31	85-4400	Controller - Electronic	1
*	75-4710	Harness - Warning Light	1	32	3253-3	Washer - Lock	3
*	219-17	Bulb - Light	4	33	321-4	Screw - Cap Hex. Hd.	3
8	63-7430	Gauge - Temperature	1	34	3256-3	Washer - Flat	4
9	63-8360	Key - Ignition	1	35	322-3	Screw - Cap Hex. Hd.	4
10	218-446	Nut - Locking	1	36	3290-354	Plate - Nut	2
11	218-447	Washer - E.T.L.W.	1	37	75-3420	Lift Control Assembly (Incl. Ref. #3 & 37-40)	1
12	3258-166	Screw - Phillip Hd.	5	38	218-590	Switch - Micro	2
13	3256-1	Washer - Flat	1	39	3290-93	Screw - Cap Hex. Hd.	4
14	75-0590	Panel - Control	1	40	3290-488	Boot - Lift Control	1
15	75-6270	Cover - Control Box	1	41	32144-1	Screw - Cap Hex. Hd.	2
16	75-1010	Toggle Switch Assembly (Incl. Ref. #4)	1	42	69-4780	Clamp - Hour Meter	1
17	32105-13	Screw - Cap Hex. Hd.	2	43	32105-1	Screw - Cap Hex. Hd.	1
18	3296-2	Nut - Lock	3	45	3273-26	Screw - Hex. Socket Hd.	2
19	27-2360	Ignition Switch Assembly (Incl. Ref. #9-11)	1	46	32144-18	Screw - Cap Hex. Hd.	2
20	218-573	Fuse - 5A	10	47	75-6820	Meter - Hour	1
*	218-578	Fuse - 10A	1	*	75-4710	Harness - Wire (Warning Lights)	1
*	218-594	Fuse - 20A	1	*	86-7560	Connector - Cover (3 Way)	3
21	67-7160	Block - Fuse	1	*	86-7550	Connector - Cover (2 Way)	2
22	3296-42	Nut - Lock	7				
23	85-4450	Bracket - Fuse Block	1				

*Not Illustrated

‡For different language versions of this part, see International Decal Cross Reference.

HYDRAULIC SCHEMATIC



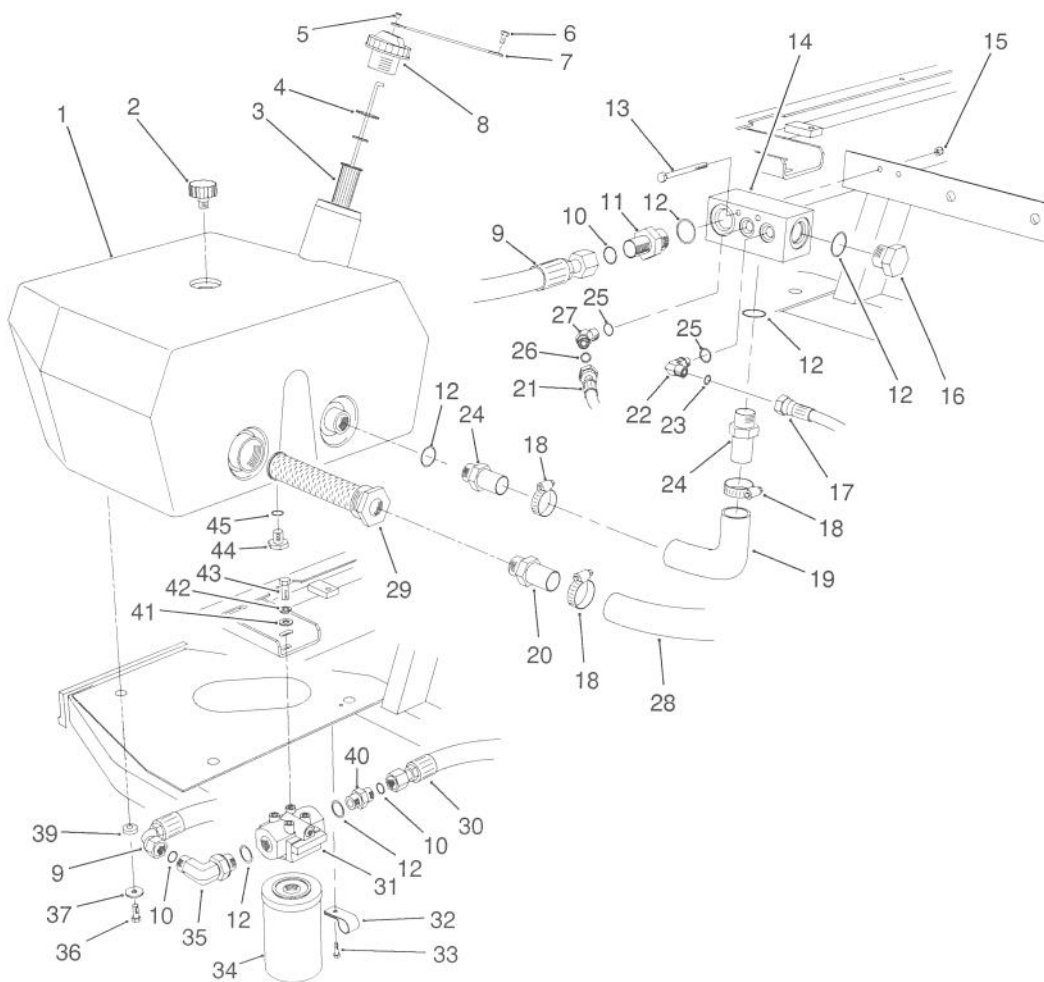


T-1048

HYDRAULIC RESERVOIR ASSEMBLY

Ref. No.	Part No.	Description	No. Used
1	75-1170	Reservoir - Hydraulic	1
2	68-6150	Breather - Hydraulic Tank	1
3	61-2790	Screen - Filler	1
4	75-3710	Dipstick	1
5	2410-73	Retainer - Tether	1
6	321-2	Screw - Cap Hex. Hd.	1
7	75-0540	Tether - Cap	1
8	70-8640	Cap - Hydraulic Reservoir	1
9	75-6130	Hose - Hydraulic	1
10	237-65	Seal - O-Ring	5
11	340-8	Fitting - Hydraulic Straight (Incl. Ref. #10 & 12)	1
12	237-81	Seal - O-Ring	4
13	321-23	Screw - Cap Hex. Hd.	2
14	75-5480	Manifold - Tank	1
15	3296-42	Nut - Lock	2
16	354-74	Fitting 0 Hydraulic Plug (Incl. Ref. #12)	1
17	75-6250	Hose - Hydraulic	1
18	2412-34	Clamp - Hose	3
19	75-5720	Hose - Hydraulic	1
20	353-682	Fitting - Hydraulic Straight	1

Ref. No.	Part No.	Description	No. Used
21	75-6200	Hose - Hydraulic	1
22	340-77	Fitting - Hydraulic 90° (Incl. Ref. #23 & 25)	1
23	237-22	Seal - O-Ring	3
24	354-73	Fitting - Hydraulic Straight (Incl. Ref. #12)	2
25	237-42	Seal - O-Ring	2
26	237-21	Seal - O-Ring	1
27	340-137	Fitting - Hydraulic 45° (Incl. Ref. #25 & 26)	1
28	75-6870	Hose - Hydraulic Suction	1
29	75-0550	Strainer - Suction	1
30	75-6140	Hose - Hydraulic	1
31	75-1300	Hydraulic Filter Head Assy.	1
32	2412-93	Clamp - R	2
33	32144-10	Screw - Hex. Washer Hd.	2
34	75-1310	Element - Hydraulic Filter	1
35	340-139	Fitting - Hydraulic 90° (Incl. Ref. #10 & 12)	1
36	323-5	Screw - Cap Hex. Hd.	3
37	63-8410	Washer - Flat	3
39	240-11	Grommet	3

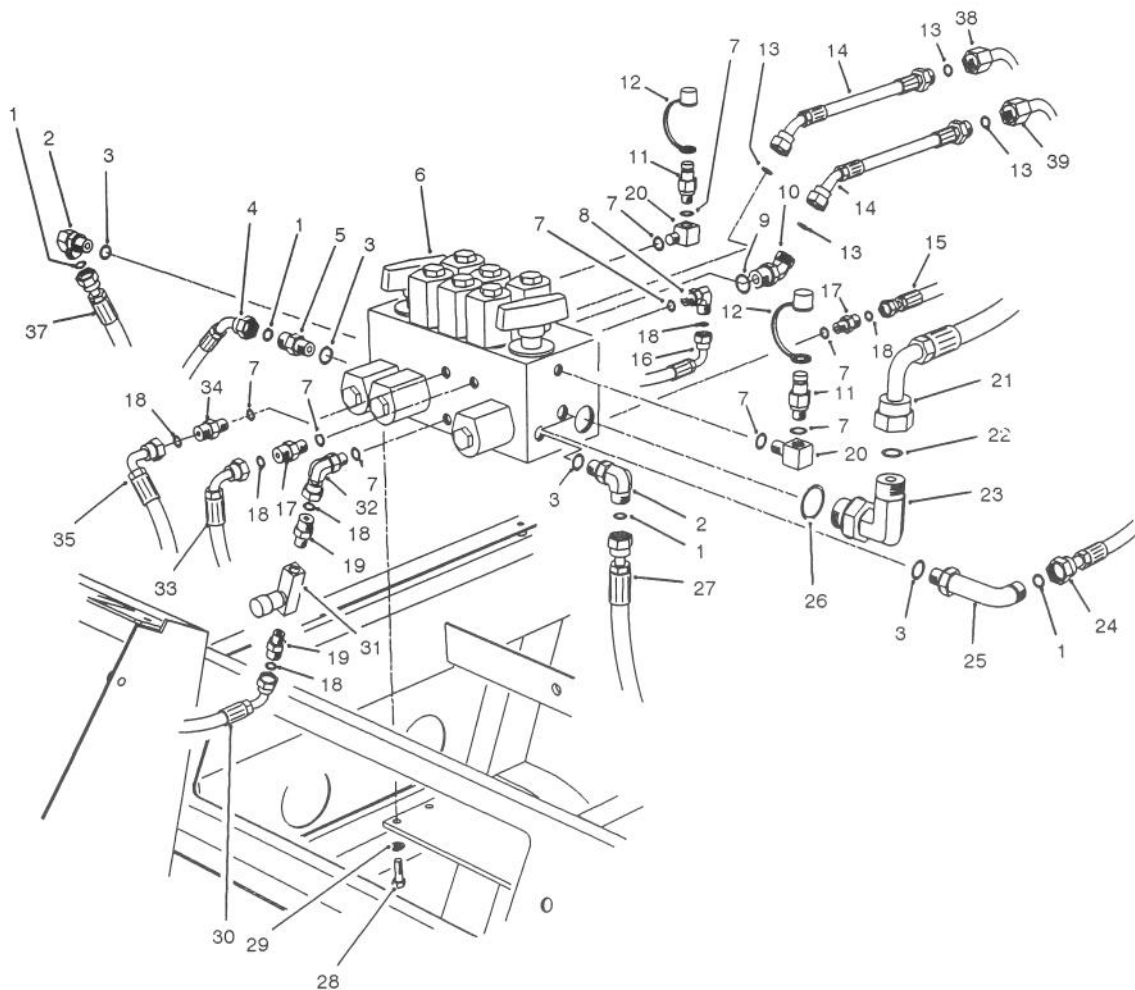


T-1048

HYDRAULIC RESERVOIR ASSEMBLY (Continued)

Ref. No.	Part No.	Description	No. Used
40	340-8	Fitting - Hydraulic Straight (Incl. Ref. #10 & 12)	1
41	3256-24	Washer - Flat	2
42	3253-21	Washer - Lock	2

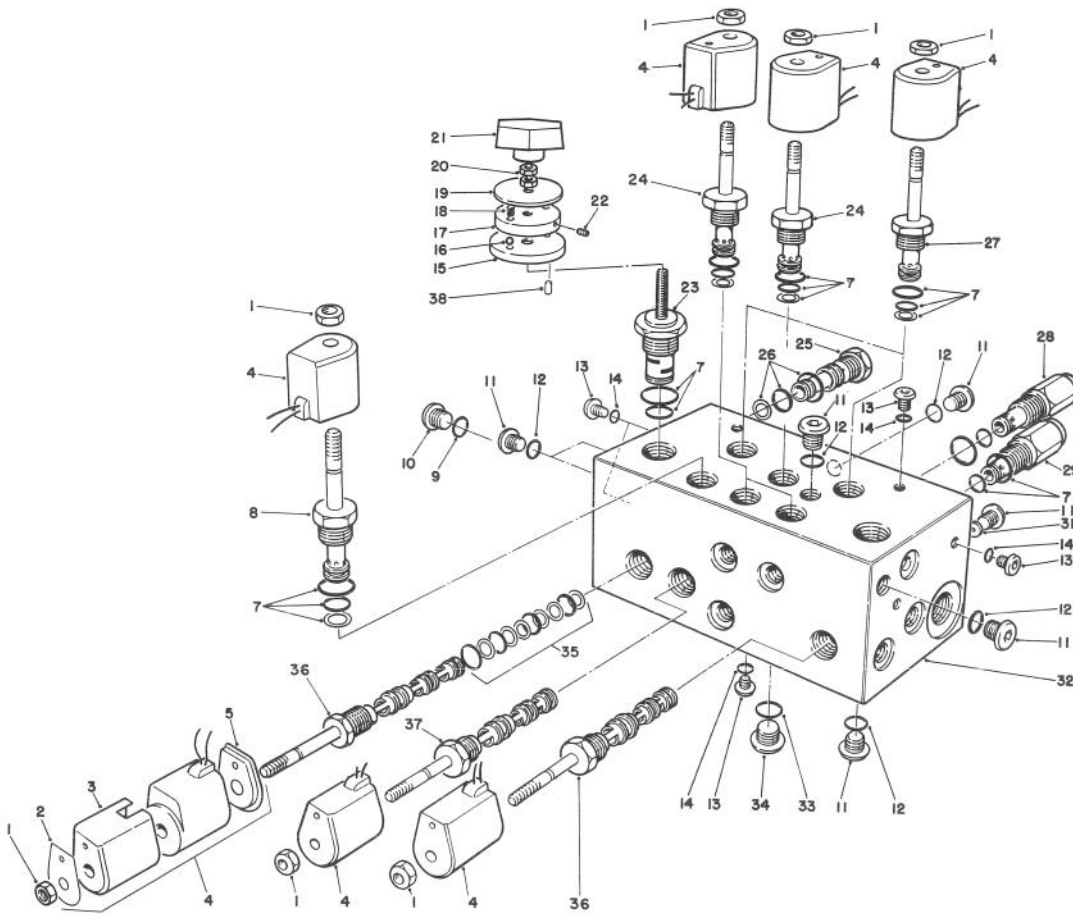
Ref. No.	Part No.	Description	No. Used
43	323-4	Screw - Cap Hex. Hd.	2
44	353-550	Fitting - Plug (Incl. Ref. #45)	1
45	237-79	Seal - O-Ring	1



T-1094

HYDRAULIC CONTROL MANIFOLD ASSEMBLY

Ref. No.	Part No.	Description	No. Used	Ref. No.	Part No.	Description	No. Used
1	237-22	Seal - O-Ring	4	20	75-6640	Fitting - Hydraulic 90° (Incl. Ref. #7)	2
2	340-77	Fitting - Hydraulic 90° (Incl. Ref. #1 & 3)	2	21	75-6160	Hose - Hydraulic	1
3	237-42	Seal - O-Ring	4	22	237-65	Seal - O-Ring	1
4	75-6000	Hose - Hydraulic	1	23	340-139	Fitting - Hydraulic 90° (Incl. Ref. #22 & 26)	1
5	340-2	Fitting - Hydraulic Straight (Incl. Ref. #1 & 3)	1	24	75-6050	Hose - Hydraulic	1
6	75-2150	Control Manifold Assembly	1	25	69-4320	Fitting - Hydraulic 90° (Incl. Ref. #1 & 3)	1
7	237-78	Seal - O-Ring	8	26	237-81	Seal - O-Ring	1
8	340-132	Fitting - Hydraulic 90° (Incl. Ref. #7 & 18)	1	27	75-6040	Hose - Hydraulic	1
9	237-79	Seal - O-Ring	2	28	322-3	Screw - Cap Hex. Hd.	4
10	340-101	Fitting - Hydraulic Straight (Incl. Ref. #9 & 13)	2	29	3253-4	Washer - Lock	4
11	354-77	Fitting - Test Port (Incl. Ref. #7)	2	30	75-5900	Hose - Hydraulic	1
12	354-79	Cap - Test Port	2	31	82-8270	Valve - Flow Control	1
13	237-30	Seal - O-Ring	4	32	340-143	Fitting - Hydraulic 90° (Incl. Ref. #7)	1
14	86-9190	Hose - Hydraulic	2	33	75-6060	Hose - Hydraulic	1
15	75-6120	Hose - Hydraulic	1	34	340-92	Fitting - Hydraulic Straight (Incl. Ref. #7 & 18)	1
16	75-5950	Hose - Hydraulic	1	35	75-5890	Hose - Hydraulic	1
17	340-92	Fitting - Hydraulic Straight (Incl. Ref. #7 & 18)	2	37	75-5990	Hose - Hydraulic	1
18	237-21	Seal - O-Ring	6	38	75-5240	Tube - Hydraulic	1
19	340-13	Fitting - Hydraulic Straight (Incl. Ref. #18)	2	39	75-5250	Tube - Hydraulic	1



T-1035

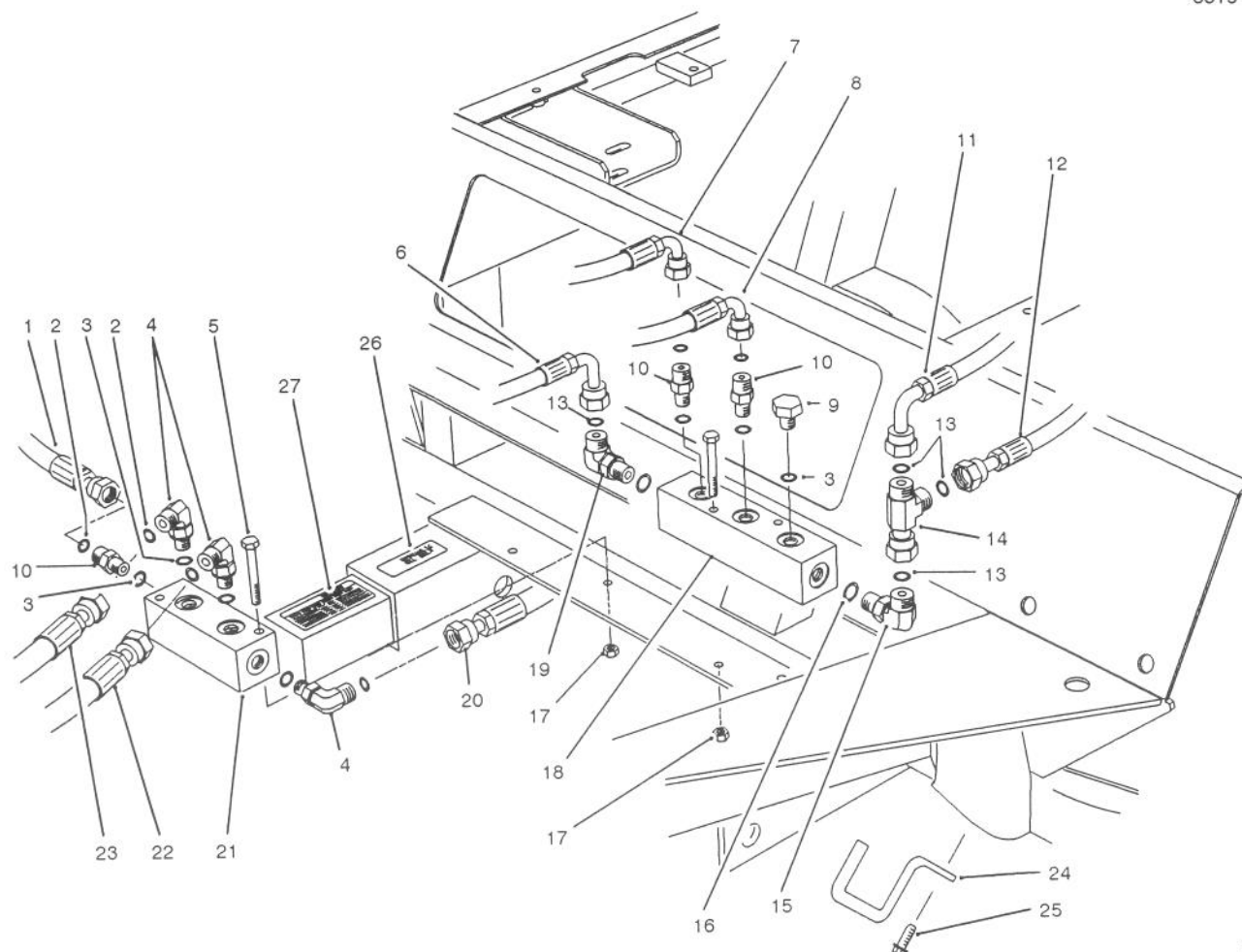
CONTROL MANIFOLD ASSEMBLY

Ref. No.	Part No.	Description	No. Used
1	69-4300	Nut	9
†2		Plate - Name	9
†3		Cover - Coil	9
4	69-4290	Solenoid Coil Assembly (Incl. Ref. #1-5)	9
†5		Plate - Coil	9
7	75-2080	Seal Kit	10
8	75-2040	Solenoid Assembly N.C. (Incl. Ref. #7)	1
9	237-80	O-Ring	1
10	354-70	Plug	1
11	353-990	Plug	10
12	237-78	O-Ring	8
13	353-991	Plug	8
14	237-156	O-Ring	8
†15		Plate - Locating	2
†16		Ball - Detent	4
†17		Plate - Detent	2
†18		Spring - Detent	4
†19		Plate - Indicator	2
†20		Nut - Jam	4
†21		Knob Assembly	2
†22		Screw - Set	2
23	75-2060	Rotary Cartridge Assembly (Incl. Ref. #7 & 23)	2

Ref. No.	Part No.	Description	No. Used
24	75-2050	Solenoid Assembly N.C. (Incl. Ref. #7)	3
25	69-4120	Cartridge Assembly N.C. (Incl. Ref. #26)	2
26	69-4240	Seal Kit	2
27	75-2030	Solenoid Assembly N.O. (Incl. Ref. #7)	2
28	75-0920	Relief Cartridge Assembly 3000 psi (Incl. Ref. 30)	1
29	75-2010	Relief Cartridge Assembly 2000 psi (Incl. Ref. 30)	1
31	75-2070	Plug - Orifice	2
†32		Body - Manifold	1
33	237-42	O-Ring	1
34	353-989	Plug	1
35	75-2090	Seal Kit	3
36	75-2020	Solenoid Assembly (Incl. Ref. #35)	2
37	75-6910	Solenoid Assembly (Incl. Ref. #35)	1
38	84-5280	Pin - Spring	2
*	82-8520	Detent Assembly Kit (Incl. Ref. #15-22 & 38)	1

*Not Illustrated

†Not Serviceable Separately

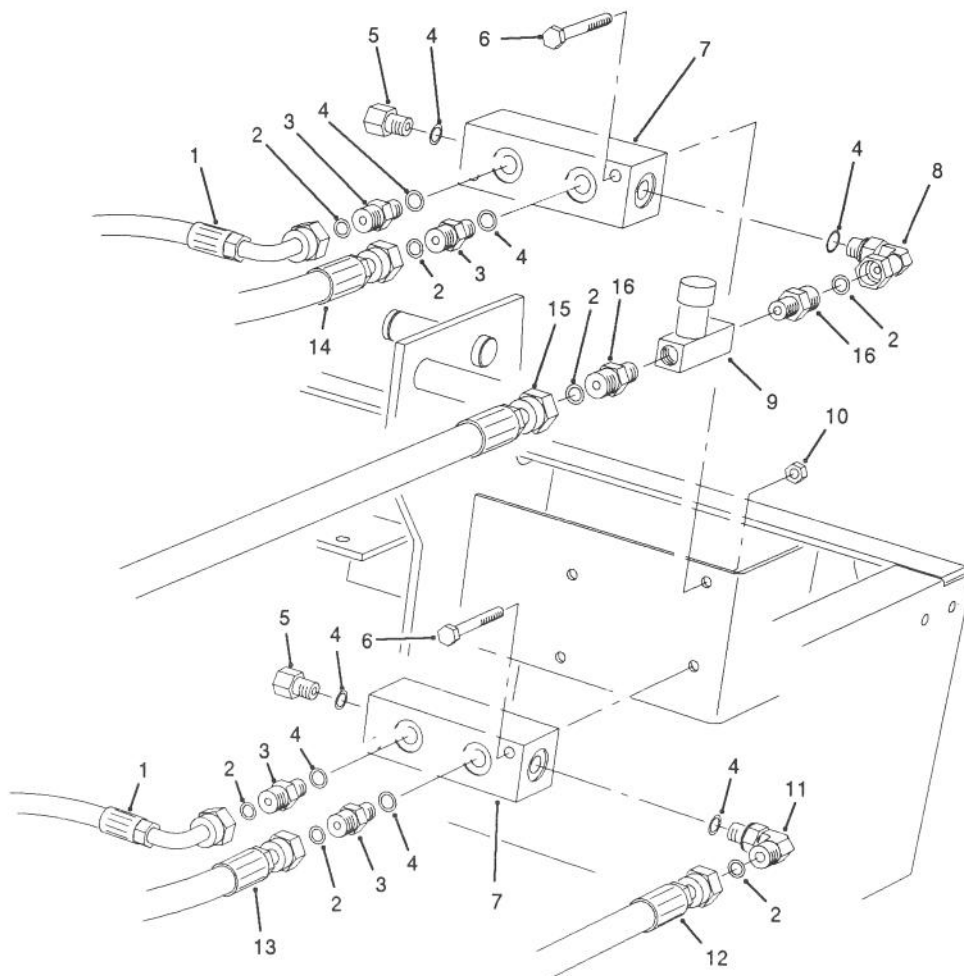


T-1058

FRONT HYDRAULIC MANIFOLDS

Ref. No.	Part No.	Description	No. Used	Ref. No.	Part No.	Description	No. Used
1	75-5980	Hose - Hydraulic	1	14	340-151	Fitting - Hydraulic Tee (Incl. Ref. #13)	1
2	237-21	Seal - O-Ring	6	15	340-82	Fitting - Hydraulic 90° (Incl. Ref. #13 & 16)	1
3	237-78	Seal - O-Ring	7	16	237-42	Seal - O-Ring	2
4	340-132	Fitting - Hydraulic 90° (Incl. Ref. #2 & 3)	3	17	3296-42	Nut - Lock	4
5	321-11	Screw - Cap Hex. Hd.	4	18	75-1190	Manifold - Hydraulic	1
6	75-5940	Hose - Hydraulic	1	19	340-77	Fitting - Hydraulic 90° (Incl. Ref. #13 & 16)	1
7	75-5890	Hose - Hydraulic	1	20	75-5950	Hose - Hydraulic	1
8	75-5910	Hose - Hydraulic	1	21	75-1180	Manifold - Hydraulic	1
9	355-12	Plug - Hydraulic (Incl. Ref. #3)	1	22	75-5960	Hose - Hydraulic	1
10	340-92	Fitting - Hydraulic Straight (Incl. Ref. #2 & 3)	3	23	75-5970	Hose - Hydraulic	1
11	75-6020	Hose - Hydraulic	1	24	75-5300	Rod - Hose Support	2
12	75-6200	Hose - Hydraulic	1	25	49-2040	Screw - Hex. Washer Hd.	4
13	237-22	Seal - O-Ring	4	26	85-4730	Decal - Oil	1
				27	88-0440	Decal - Floor Plate	1

*Not Illustrated

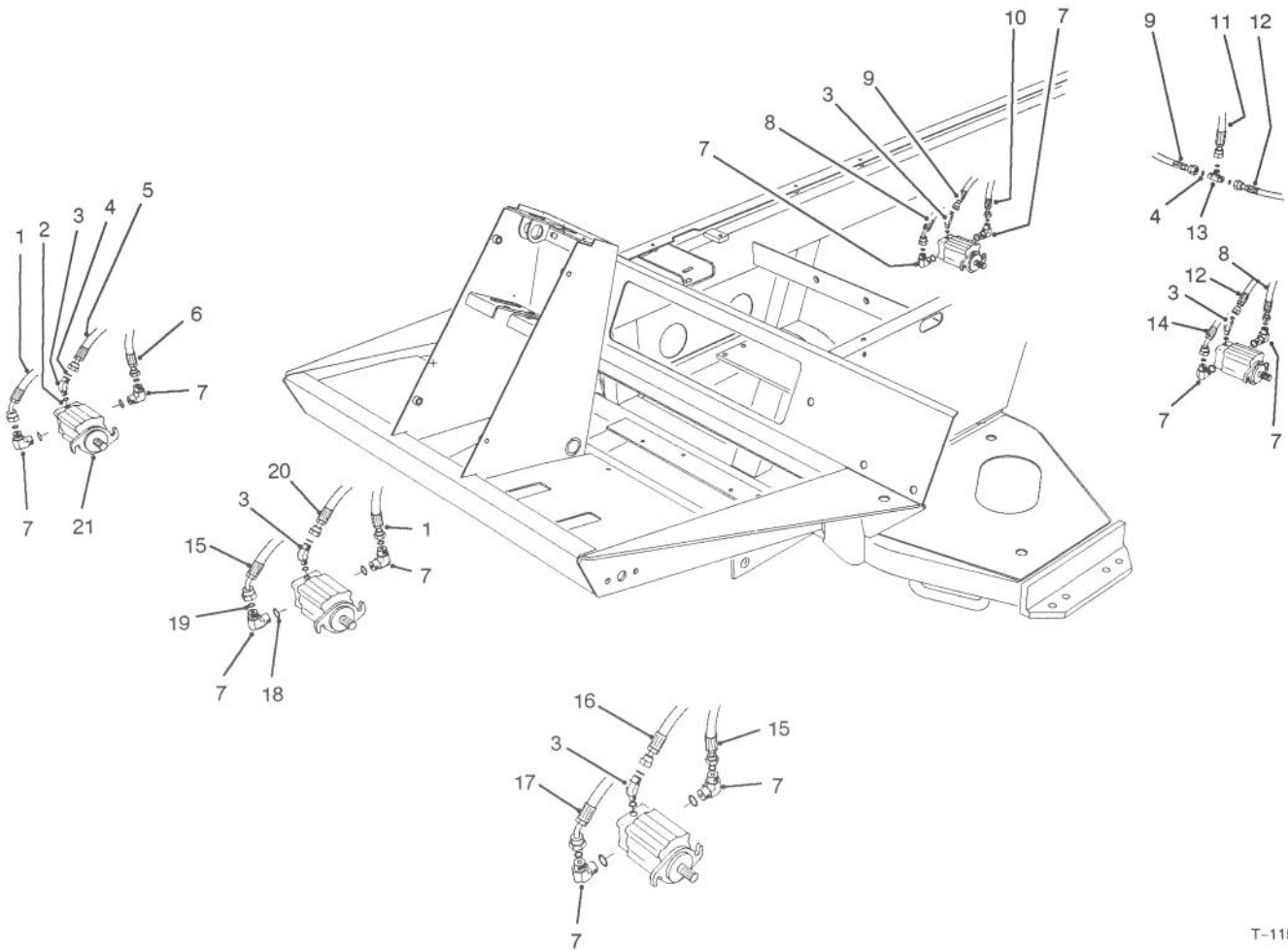


T-1095

REAR HYDRAULIC MANIFOLDS

Ref. No.	Part No.	Description	No. Used
1	75-6180	Hose - Hydraulic	2
2	237-21	Seal - O-Ring	7
3	340-92	Fitting - Hydraulic Straight (Incl. Ref. #2 & 4)	4
4	237-78	Seal - O-Ring	8
5	353-512	Fitting - Hydraulic Plug (Incl. Ref. #4)	2
6	321-11	Screw - Cap Hex. Hd.	4
7	75-1180	Manifold	2
8	340-143	Fitting - Hydraulic 90° (Incl. Ref. #4)	1

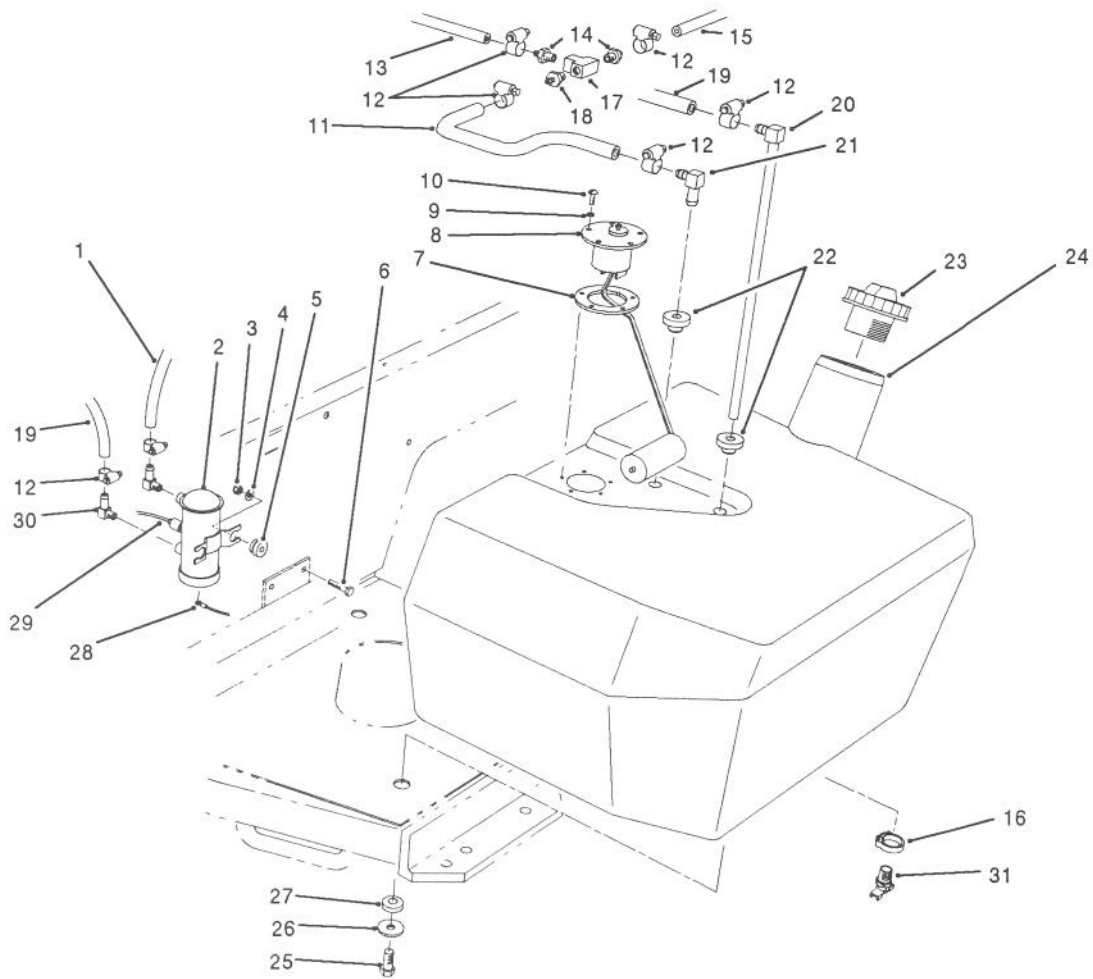
Ref. No.	Part No.	Description	No. Used
9	82-8270	Valve - Flow Control	1
10	3296-42	Nut - Lock	4
11	340-132	Fitting - Hydraulic 90° (Incl. Ref. #2 & 4)	1
12	75-6060	Hose - Hydraulic	1
13	75-6080	Hose - Hydraulic	1
14	75-6070	Hose - Hydraulic	1
15	75-6020	Hose - Hydraulic	1
16	340-13	Fitting - Hydraulic Straight (Incl. Ref. #2)	2



T-1150

CUTTING UNIT HYDRAULIC COMPONENTS

Ref. No.	Part No.	Description	No. Used	Ref. No.	Part No.	Description	No. Used
1	75-6030	Hose - Hydraulic	1	11	75-6120	Hose - Hydraulic	1
2	237-78	Seal - O-Ring	5	12	75-6100	Hose - Hydraulic	1
3	340-103	Fitting - Hydraulic 45° (Incl. Ref. #2 & 4)	5	13	340-21	Fitting - Hydraulic Tee (Incl. Ref. #4)	1
4	237-21	Seal - O-Ring	8	14	75-6050	Hose - Hydraulic	1
5	75-5980	Hose - Hydraulic	1	15	75-6010	Hose - Hydraulic	1
6	75-6000	Hose - Hydraulic	1	16	75-5960	Hose - Hydraulic	1
7	340-18	Fitting - Hydraulic 90° (Incl. Ref. #18 & 19)	10	17	75-5990	Hose - Hydraulic	1
8	75-6190	Hose - Hydraulic	1	18	237-79	Seal - O-Ring	10
9	75-6110	Hose - Hydraulic	1	19	237-22	Seal - O-Ring	10
10	75-6040	Hose - Hydraulic	1	20	75-5970	Hose - Hydraulic	1
				21	75-1400	Motor - Hydraulic	5



T-1049

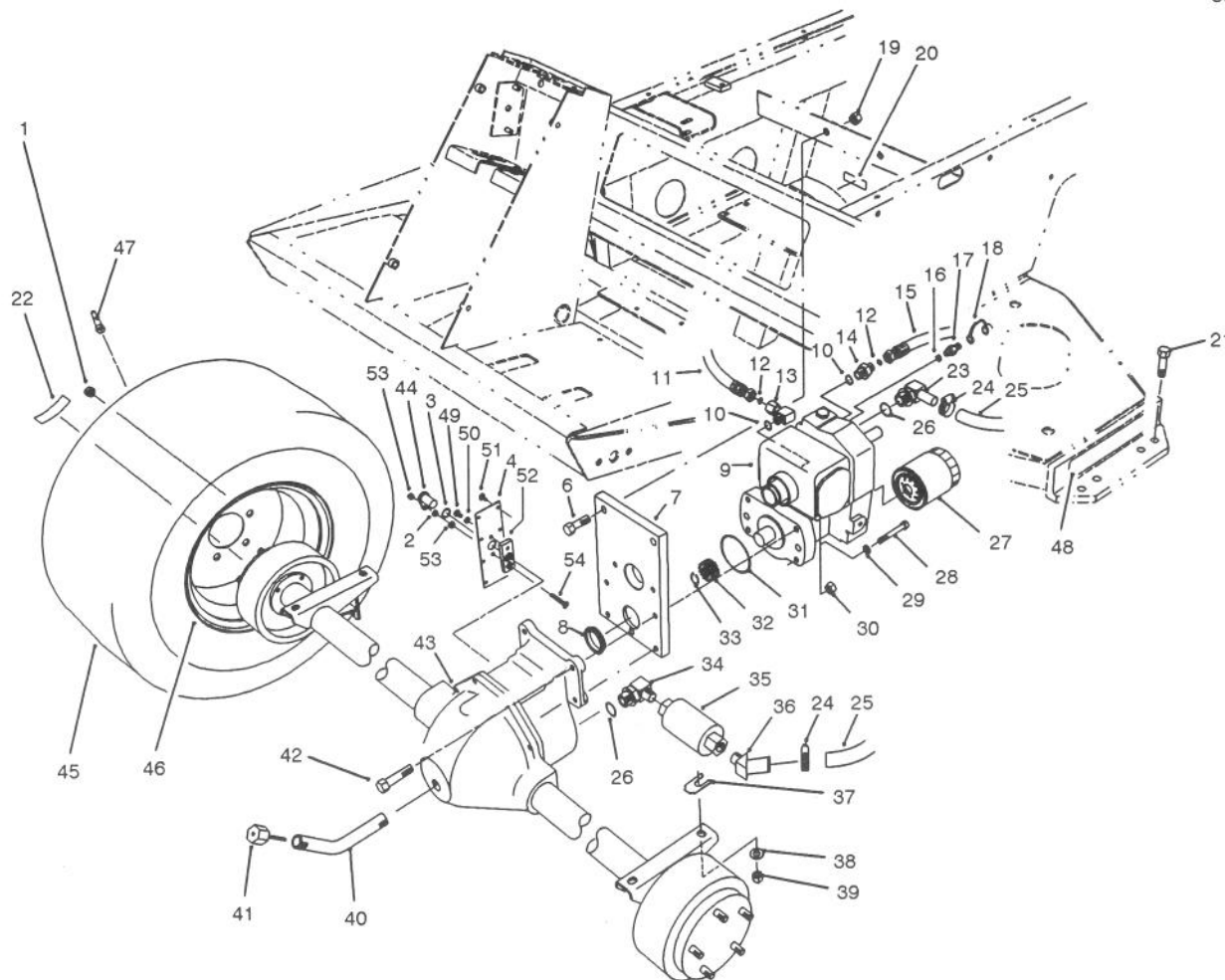
FUEL TANK ASSEMBLY

Ref. No.	Part No.	Description	No. Used
1	63-7610	Hose - Fuel	1
2	70-8460	Fuel Pump Assembly (Incl. Ref. #5 & 28-29)	1
3	3296-42	Nut - Lock	2
4	3256-22	Washer - Flat	2
†5		Mount - Rubber	2
6	321-8	Screw - Cap Hex. Hd.	2
7	62-7650	Gasket - Sending Unit	1
8	63-7640	Unit - Sending	1
9	3253-15	Washer - Lock	5
10	32122-24	Screw - Round Hd.	5
11	27-5340	Hose - Fuel	1
12	2412-108	Clamp - Hose	7
13	75-4700	Hose - Fuel	1
14	354-22	Fitting - Fuel Straight	2
15	75-4701	Hose - Fuel	1
16	2412-36	Clamp - Drain	1

Ref. No.	Part No.	Description	No. Used
17	354-20	Fitting - Fuel Tee	1
18	354-21	Fitting - Fuel Straight	1
19	44-2670	Hose - Fuel	1
20	66-8121	Standpipe - Elbow 90°	1
21	46-6550	Connector - Fuel Elbow 90°	1
22	46-6560	Grommet	2
23	70-8620	Cap - Fuel Tank (Green)	1
*	70-8621	Cap - Fuel Tank (Black)	1
24	75-1080	Tank - Fuel	1
25	323-5	Screw - Cap Hex. Hd.	3
26	63-8410	Washer - Flat	3
27	240-11	Grommet	3
28	70-8530	Wire - Fuel Pump	1
29	218-579	Wire - Fuel Pump	1
30	67-1690	Fitting - Fuel Elbow 90°	2
31	304-46	Fitting - Drain	1

*Not Illustrated

†Not Serviced Separately

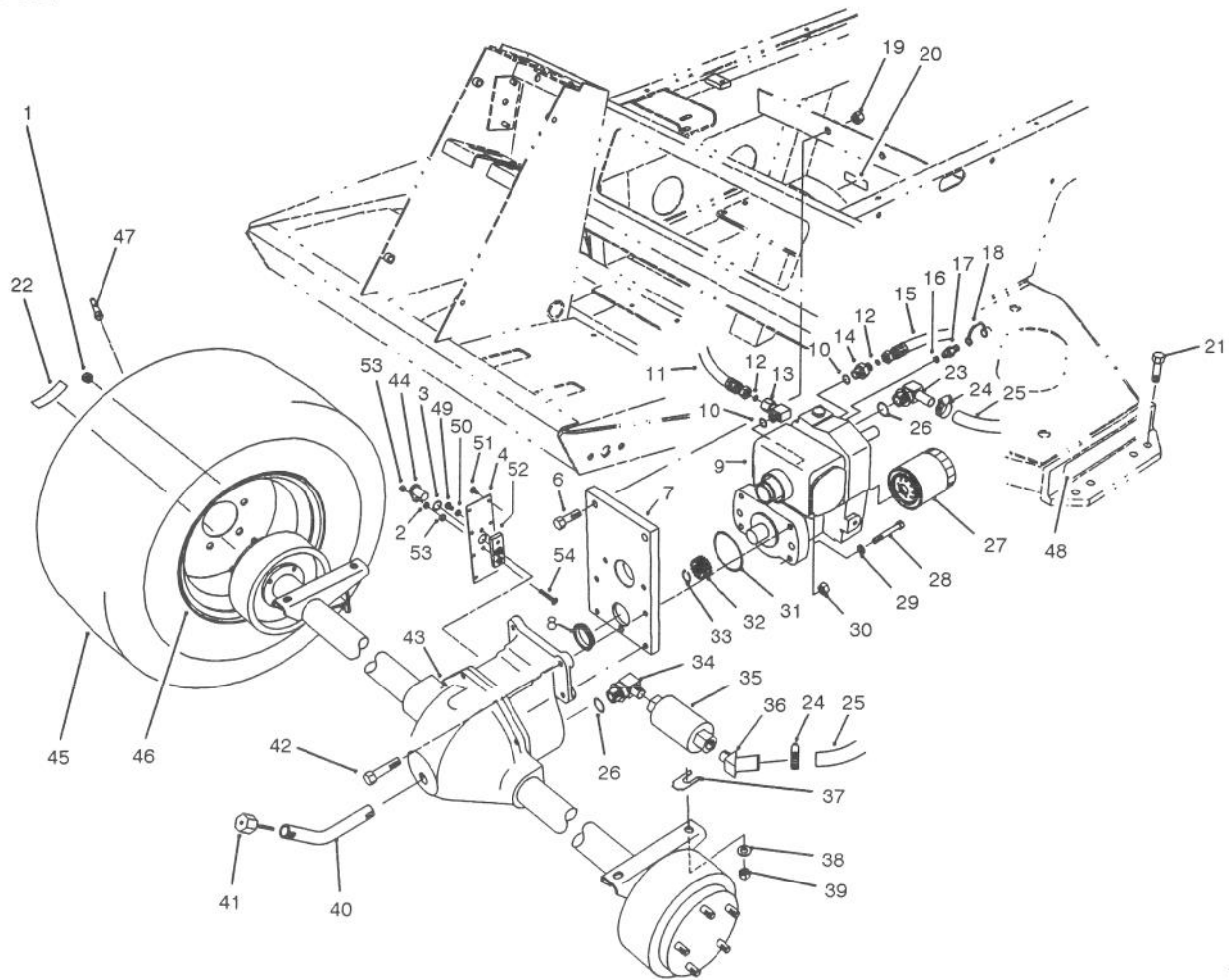


T-1050

FRONT AXLE & TRANSMISSION ASSEMBLY

Ref. No.	Part No.	Description	No. Used	Ref. No.	Part No.	Description	No. Used
1	23-7270	Nut - Lug	10	23	75-4720	Fitting - Hydraulic 90° (Incl. Ref. #26)	1
2	3218-1	Nut - Jam	1	24	2412-34	Clamp - Hose	2
3	237-181	Seal - O-Ring	1	25	75-6350	Hose	1
4	85-4330	Cover - Gear	1	26	237-81	Seal - O-Ring	2
6	325-7	Screw - Cap Hex. Hd.	2	27	75-1330	Filter - Oil	1
7	75-3100	Transmission Support Assy. (Incl. Ref. #8)	1	28	323-12	Screw - Cap Hex. Hd.	2
8	75-3110	Collar - Transmission	1	29	3253-21	Washer - Lock	2
9	75-0010	Transmission Assembly	1	30	3296-39	Nut - Lock	2
10	237-79	Seal - O-Ring	2	31	237-161	Seal - O-Ring	1
11	75-6170	Hose - Hydraulic	1	32	86-7220	Gear - Pinion	1
12	237-22	Seal - O-Ring	2	33	32151-62	Ring - Retaining	1
13	340-18	Fitting - Hydraulic 90° (Incl. Ref. #10 & 12)	1	34	354-75	Fitting - Hydraulic 90° (Incl. Ref. #26)	1
14	340-3	Fitting - Hydraulic Straight (Incl. Ref. #10 & 12)	1	35	75-6340	Strainer - In-Line	1
15	75-6150	Hose - Hydraulic	1	36	354-72	Fitting - Hydraulic 45°	1
16	237-78	Seal - O-Ring	1	37	42-6080	Shim - Axle	A/R
17	354-77	Fitting - Hydraulic Test Port (Incl. Ref. #16)	1	38	3256-25	Washer - Flat	4
18	354-79	Cap - Test Port	1	39	3296-48	Nut - Lock	4
19	3296-23	Nut - Lock	2	40	75-6850	Tube - Oil Fill	1
‡20	77-0490	Decal - Bolt (English)	1	41	27-3710	Dipstick - Axle	1
21	324-6	Screw - Cap Hex. Hd.	4	42	323-20	Screw - Cap Hex. Hd.	2
22	76-8730	Decal - Bolt Torque	2	43	86-7200	Front Axle Assembly	1
				44	85-4350	Sensor - Gear Tooth	1
				45	231-134	Tire	2

‡For different language versions of this part, see International Decal Cross Reference.

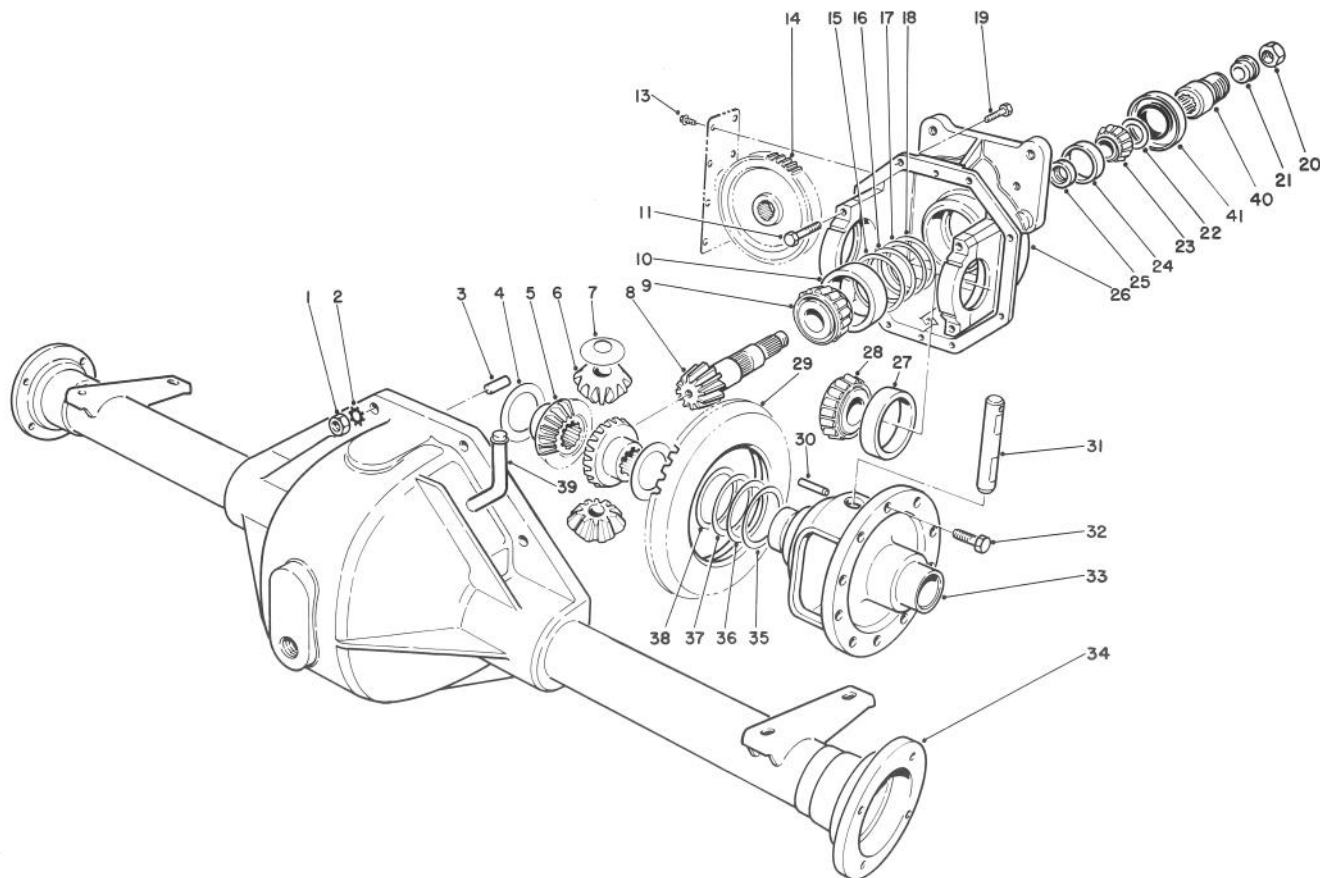


T-1050

FRONT AXLE & TRANSMISSION ASSEMBLY (Continued)

Ref. No.	Part No.	Description	No. Used	Ref. No.	Part No.	Description	No. Used
46	217-120	Rim	2	51	32144-112	Screw - Cap Hex. Hd.	8
47	232-27	Stem - Valve	2	52	85-4340	Plate - Sensor Mounting	1
‡48	75-0810	Decal - Caution (English)	2	53	3296-56	Nut - Lock	2
49	321-2	Screw - Cap Hex. Hd.	1	54	32108-9	Screw - Machine	1
50	3253-3	Washer - Lock	1				

‡For different language versions of this part, see International Decal Cross Reference.



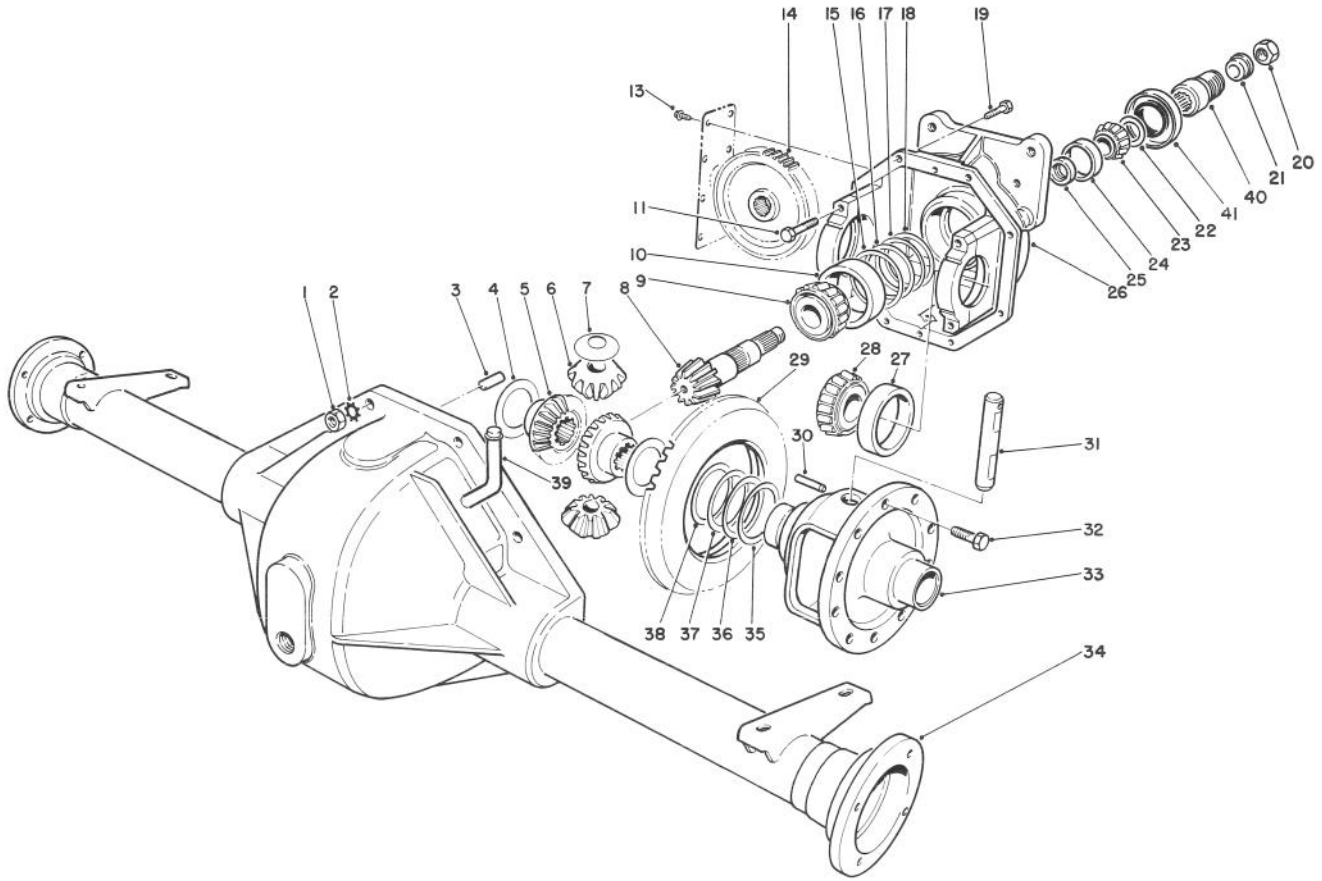
T-1315

FRONT AXLE ASSEMBLY NO. 86-7200

Ref. No.	Part No.	Description	No. Used	Ref. No.	Part No.	Description	No. Used
1	3219-2	Nut	8	22	72-3573	Shim .100 - Diff. Adjust.	A/R
2	3255-8	Washer-Lock	8	*	72-3574	Shim .102 - Diff. Adjust.	A/R
3	21-8270	Pin-Dowel	2	*	72-3575	Shim .104 - Diff. Adjust.	A/R
4	21-7720	Washer-Thrust	2	*	72-3576	Shim .106 - Diff. Adjust.	A/R
5	24-8790	Gear-Bevel, Differential	2	*	72-3577	Shim .108 - Diff. Adjust.	A/R
6	21-7690	Gear-Pinion	2	*	72-3578	Shim .110 - Diff. Adjust.	A/R
7	21-7730	Washer-Thrust	2	*	72-3580	Shim .112 - Diff. Adjust.	A/R
†8		Pinion-Drive	1	*	72-3581	Shim .114 - Diff. Adjust.	A/R
9	43-6760	Cone-Bearing, tapered	1	*	72-3582	Shim .116 - Diff. Adjust.	A/R
10	43-6750	Cup-Bearing, Tapered	1	*	72-3583	Shim .118 - Diff. Adjust.	A/R
11	324-23	Screw-Cap, Hex Hd.	4	*	72-3584	Shim .120 - Diff. Adjust.	A/R
13	32144-112	Screw-Thread Forming	8	*	72-3585	Shim .125 - Diff. Adjust.	A/R
14	86-7230	Gear-Spur	1	*	72-3586	Shim .127 - Diff. Adjust.	A/R
15	43-6710	Diff. Adjust. Shim .003	A/R	*	72-3587	Shim .129 - Diff. Adjust.	A/R
16	43-6711	Diff. Adjust. Shim .005	A/R	*	72-3588	Shim .131 - Diff. Adjust.	A/R
17	43-6712	Diff. Adjust. Shim .010	A/R	*	72-3590	Shim .133 - Diff. Adjust.	A/R
18	43-6713	Diff. Adjust. Shim .030	A/R	*	72-3591	Shim .135 - Diff. Adjust.	A/R
19	3210-7	Screw-Cap, Hex Hd.	8	*	72-3592	Shim .137 - Diff. Adjust.	A/R
20	71-4350	Nut	1	*	72-3593	Shim .139 - Diff. Adjust.	A/R
21	83-5130	Spacer - Pinion	1	*	72-3594	Shim .141 - Diff. Adjust.	A/R
22	72-3570	Shim .094 - Diff. Adjust.	A/R	*	72-3595	Shim .143 - Diff. Adjust.	A/R
*	72-3571	Shim .096 - Diff. Adjust.	A/R	*	72-3596	Shim .145 - Diff. Adjust.	A/R
*	72-3572	Shim .098 - Diff. Adjust.	A/R	*	72-3597	Shim .147 - Diff. Adjust.	A/R

*Not Illustrated

†Not Serviced Separately



T-1315

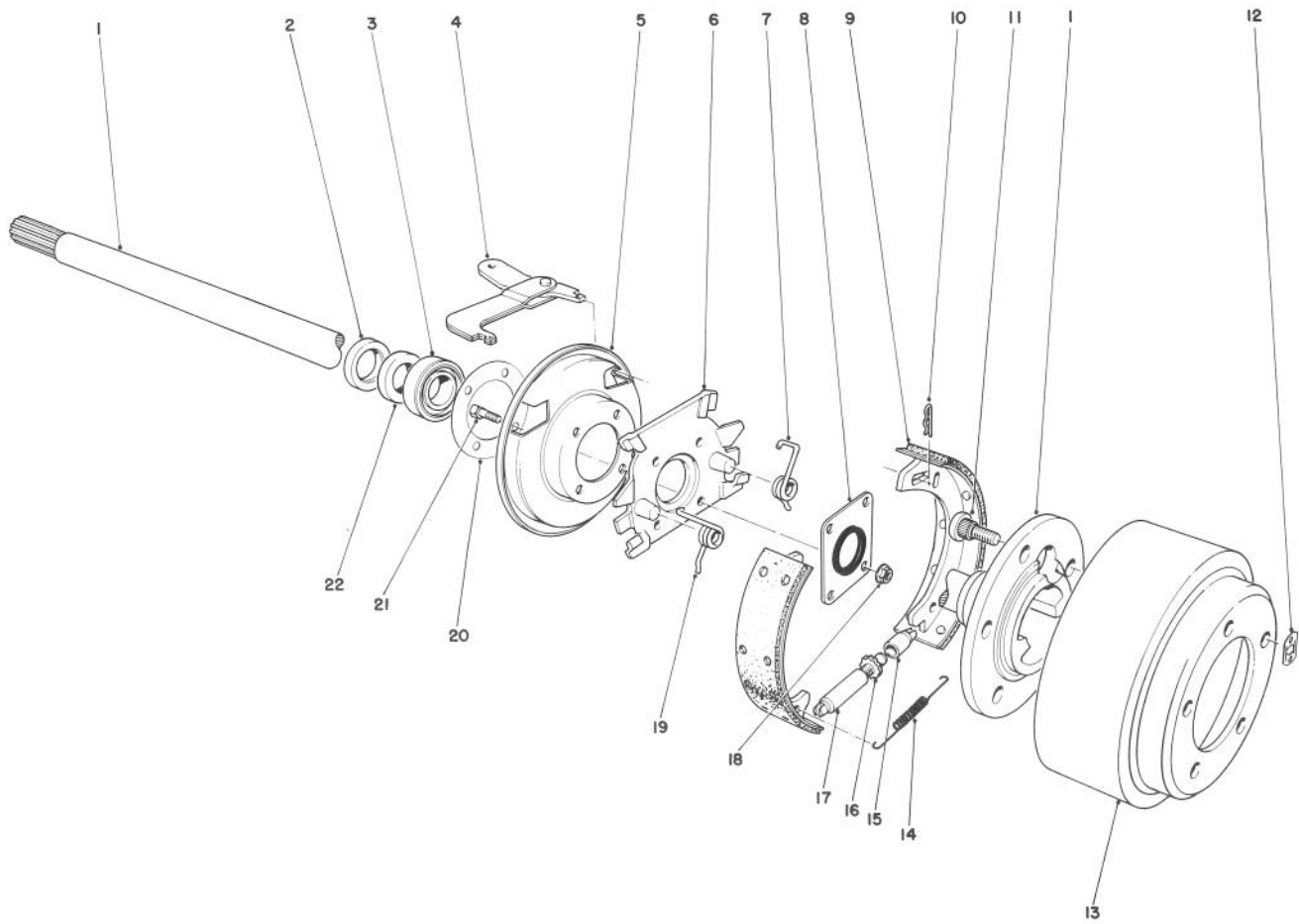
FRONT AXLE ASSEMBLY NO. 86-7200 (Continued)

Ref. No.	Part No.	Description	No. Used
22	72-3598	Shim .149 - Diff. Adjust.	A/R
*	72-3600	Shim .151 - Diff. Adjust.	A/R
23	254-91	Cone-Bearing	1
24	21-8390	Cup-Bearing	1
25	21-8020	Spacer-Front Pinion	1
26	86-7190	Upper Housing (Incl. Ref. #11)	1
27	254-66	Cup-Tapered Bearing	2
28	254-65	Cone-Tapered Bearing	2
†29		Gear-Ring	1
30	21-7710	Pin-Roll	1
31	21-7700	Shaft-Pinion Mate	1

Ref. No.	Part No.	Description	No. Used
32	21-7770	Screw-Drive Gear	5
33	21-7670	Case-Differential	1
34	75-0720	Housing-Lower	1
35	21-8120	Diff. Adjust. Shim .030	A/R
36	21-8110	Diff. Adjust. Shim .010	A/R
37	21-8100	Diff. Adjust. Shim .005	A/R
38	21-8090	Diff. Adjust. Shim .003	A/R
39	21-8230	Vent Tube Assembly	1
40	83-4910	Coupler - Pinion	1
41	71-4330	Seal	1
*	72-3620	Gear & Pinion Assembly (Incl. Ref. #8 & 29)	1

*Not Illustrated

†Not Serviced Separately



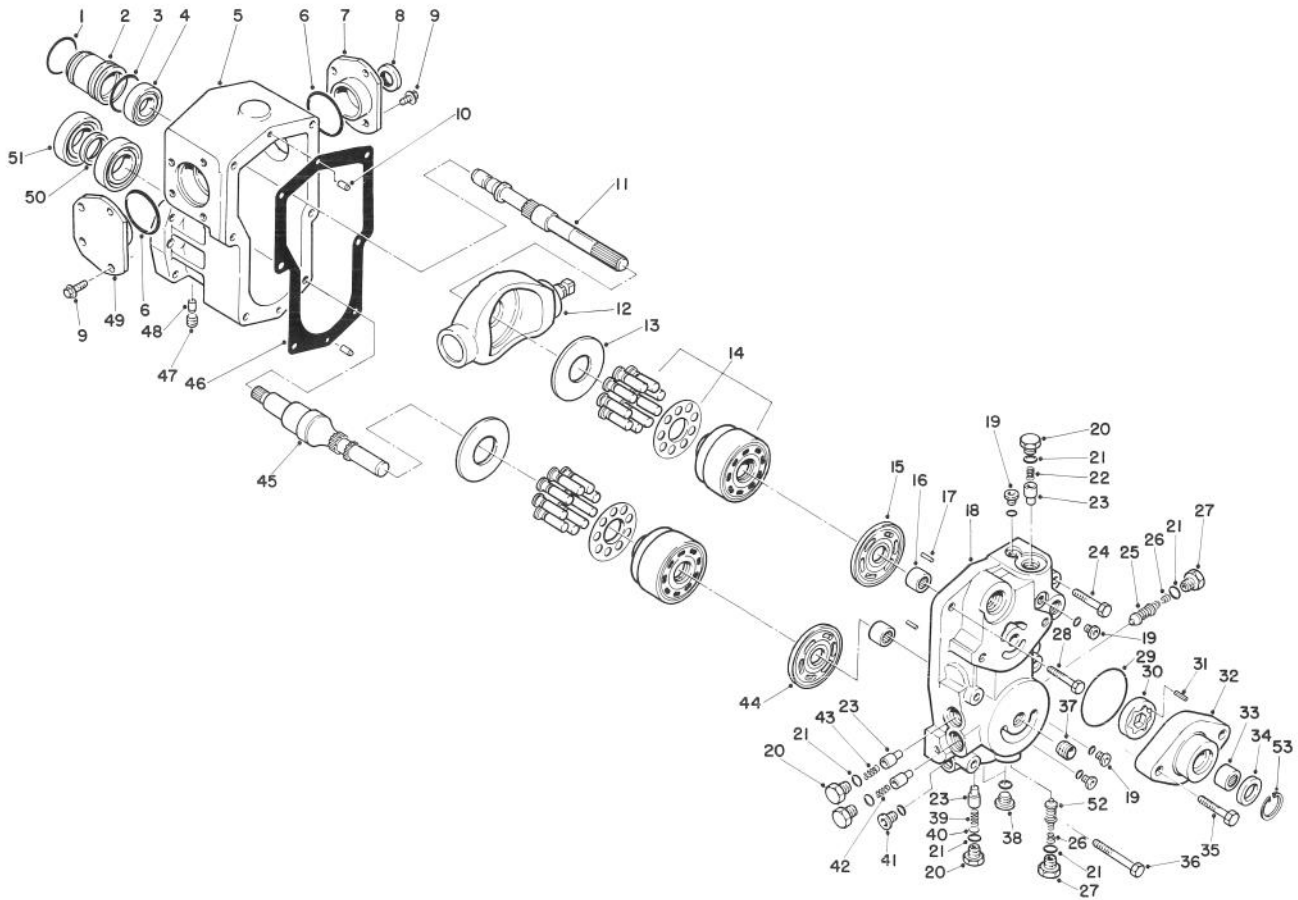
T-0421

BRAKE ASSEMBLY

Ref. No.	Part No.	Description	No. Used
1	27-6862	Shaft-Axle, Flanged L.H.	1
*	27-6852	Shaft-Axle, Flanged R.H.	1
2	21-8330	Seal-Oil	2
3	21-8180	Bearing	2
4	24-9180	Lever, Brake, Parking	2
5	21-9450	Shield-Dust	2
6	43-6810	Spider-Torque	2
7	21-9430	Spring-Shoe Return, R.H.	2
8	28-0670	Seal-Oil	2
9	43-2690	Shoe & Lining Assembly	4
10	21-9460	Retainer-Brake, Parking	4
11	242-34	Stud-Flange, Axle	10

Ref. No.	Part No.	Description	No. Used
12	21-8360	Clip-Retaining	2
13	28-0680	Drum-Brake	2
14	21-9440	Spring-Adjusting Screw	2
15	21-9390	Socket-Adjusting Screw	2
16	21-9370	Screw-Adjusting	2
17	21-9380	Nut-Pivot	2
18	43-6800	Nut-Lock	8
19	21-9420	Spring-Shoe Return, L.H.	2
20	21-8320	Gasket-Bearing, Wheel	2
21	28-0660	Screw-Cap, Hex Hd.	8
22	24-8840	Ring-Bearing, Wheel	2
*	43-2690	Pair of Lined Brake Shoes	2

*Not Illustrated



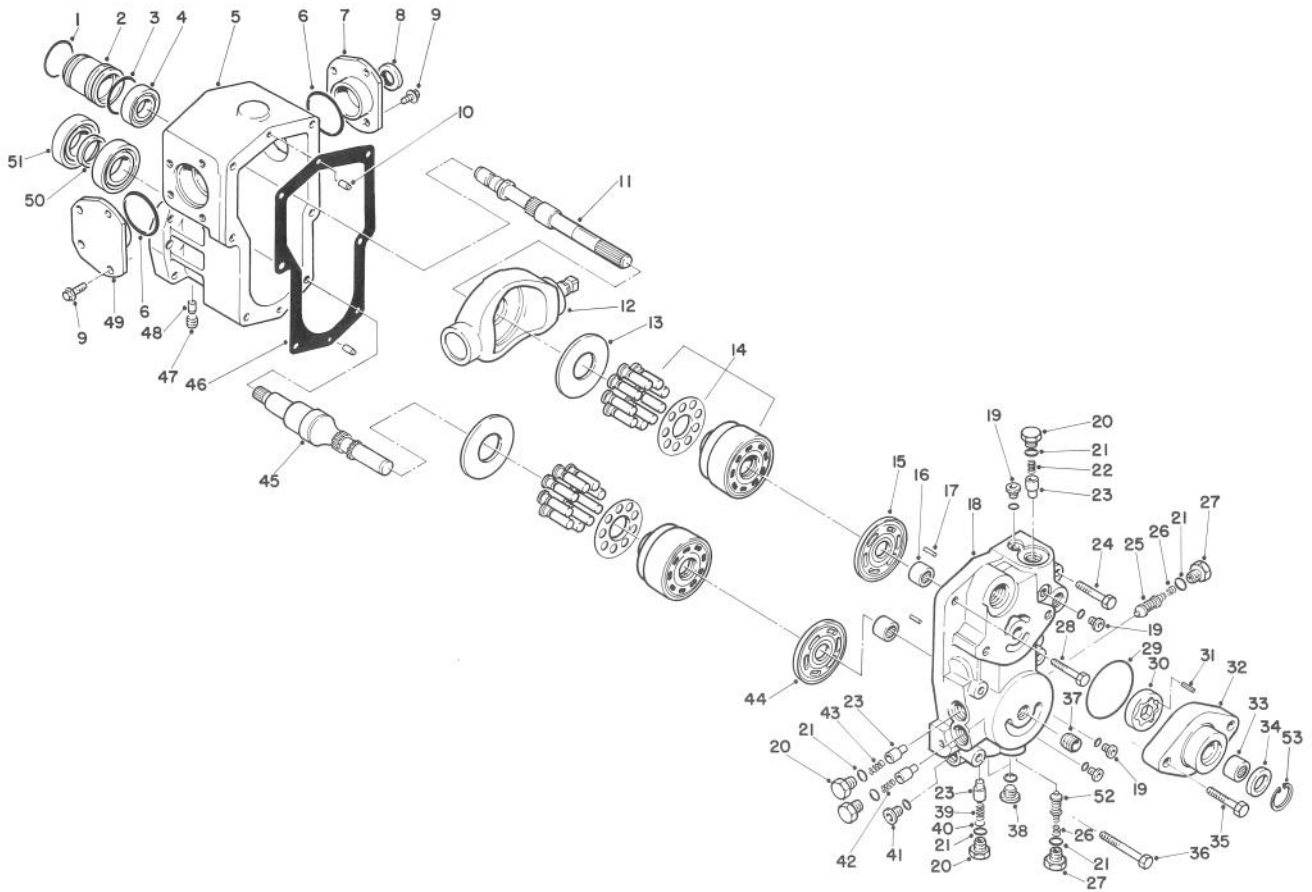
T-1006

TRANSMISSION ASSEMBLY NO. 75-0010

Ref. No.	Part No.	Description	No. Used
1	75-0430	Ring - Retaining	1
2	75-0150	Guide - Seal	1
3	75-0410	O-Ring	1
4	75-0520	Bearing - Ball	1
5	75-0020	Housing	1
6	75-0210	O-Ring	2
7	86-7520	Trunion Cover Assy. R.H.	1
8	75-0230	Seal - Lip	1
9	75-0090	Screw - Cap Hex Hd.	8
10	75-0480	Pin	2
11	86-7540	Shaft - Pump	1
12	75-0390	Plate - Swash	1
13	75-0400	Plate - Thrust	2
14	75-0470	Cylinder Block Kit	2
15	75-0380	Plate - Valve	1
16	75-0500	Bearing - Needle	2
17	75-0510	Pin	2
18	75-0040	Center Section	1
19	75-0170	Plug - Straight Thread	4
20	75-0060	Plug	4
21	75-0240	O-Ring	6
22	75-0250	Spring	1
23	75-0260	Valve - Relief	4

Ref. No.	Part No.	Description	No. Used
24	75-0130	Screw - Cap Hex Hd.	3
25	75-0300	Valve - SCR	1
26	75-0140	Spring - Conical	1
27	75-0190	Plug - Special	2
28	75-0120	Screw - Cap Hex Hd.	1
29	75-0370	O-Ring	1
30	75-0360	Gerotor	1
31	75-0350	Pin	1
32	83-4780	Housing - Charge Pump	1
33	75-0340	Bearing - Needle	1
34	75-0330	Seal - Lip	1
35	75-0110	Screw - Cap Hex Hd.	2
36	75-0180	Screw - Cap Hex Hd.	2
37	75-0320	Nipple	1
38	75-0200	Plug - Straight Thread	2
39	75-0270	Spring	1
40	75-0310	Shim	1
41	75-0070	Plug	1
42	75-0280	Spring	1
43	75-0290	Spring	1
44	75-0490	Plate - Valve	1
45	75-0440	Shaft - Motor	1
46	75-0030	Gasket - Housing	1

*Not Illustrated



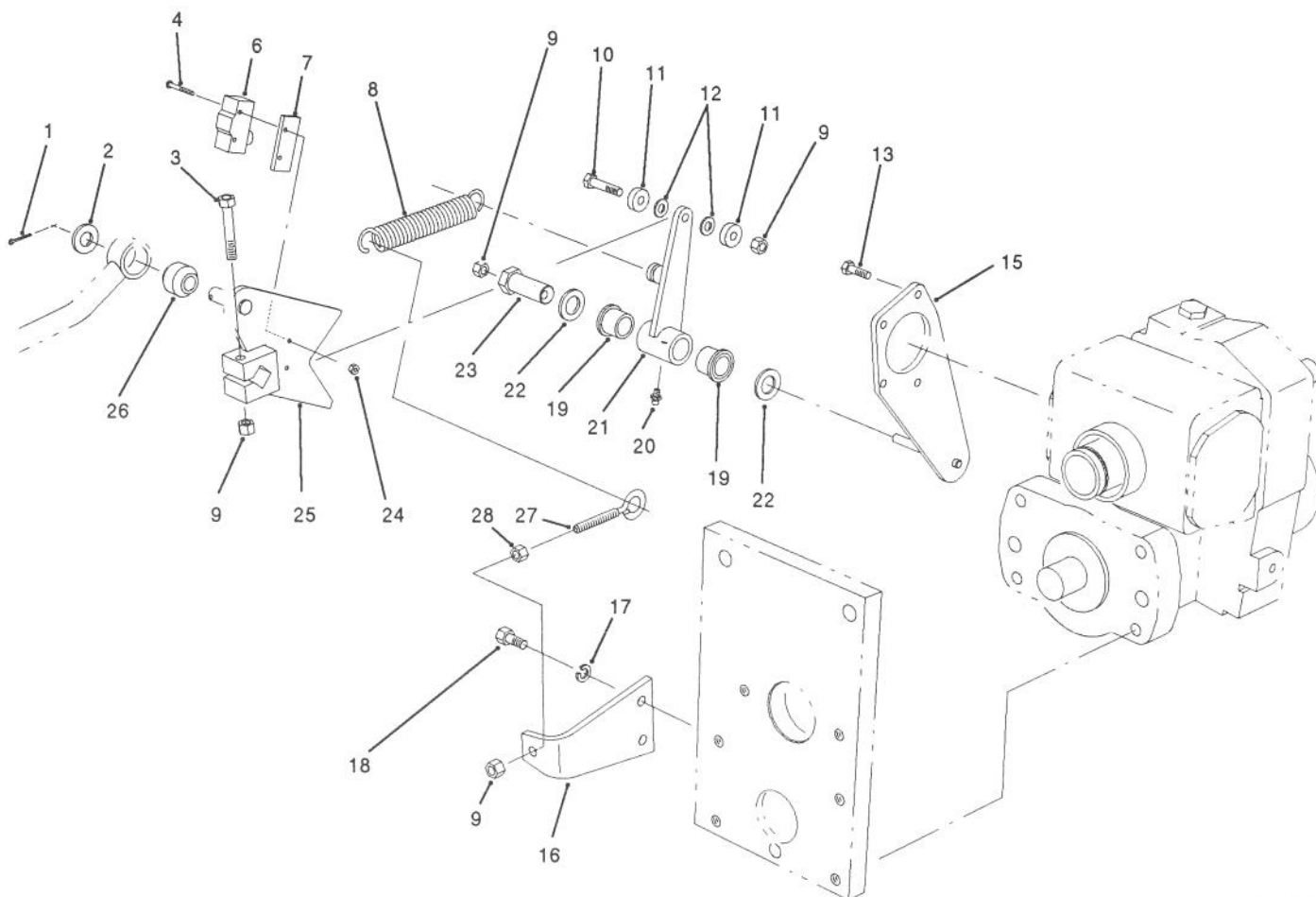
T-1006

TRANSMISSION ASSEMBLY NO. 75-0010 (Continued)

Ref. No.	Part No.	Description	No. Used
47	75-0160	Plug - Pipe	1
48	75-0220	Pin	2
49	86-7530	Trunion Cover Assy. L.H.	1
50	75-0450	Collar	1

Ref. No.	Part No.	Description	No. Used
51	75-0460	Bearing - Ball	2
52	75-6930	Valve - SCR	1
53	32120-74	Ring - Retaining	1

*Not Illustrated

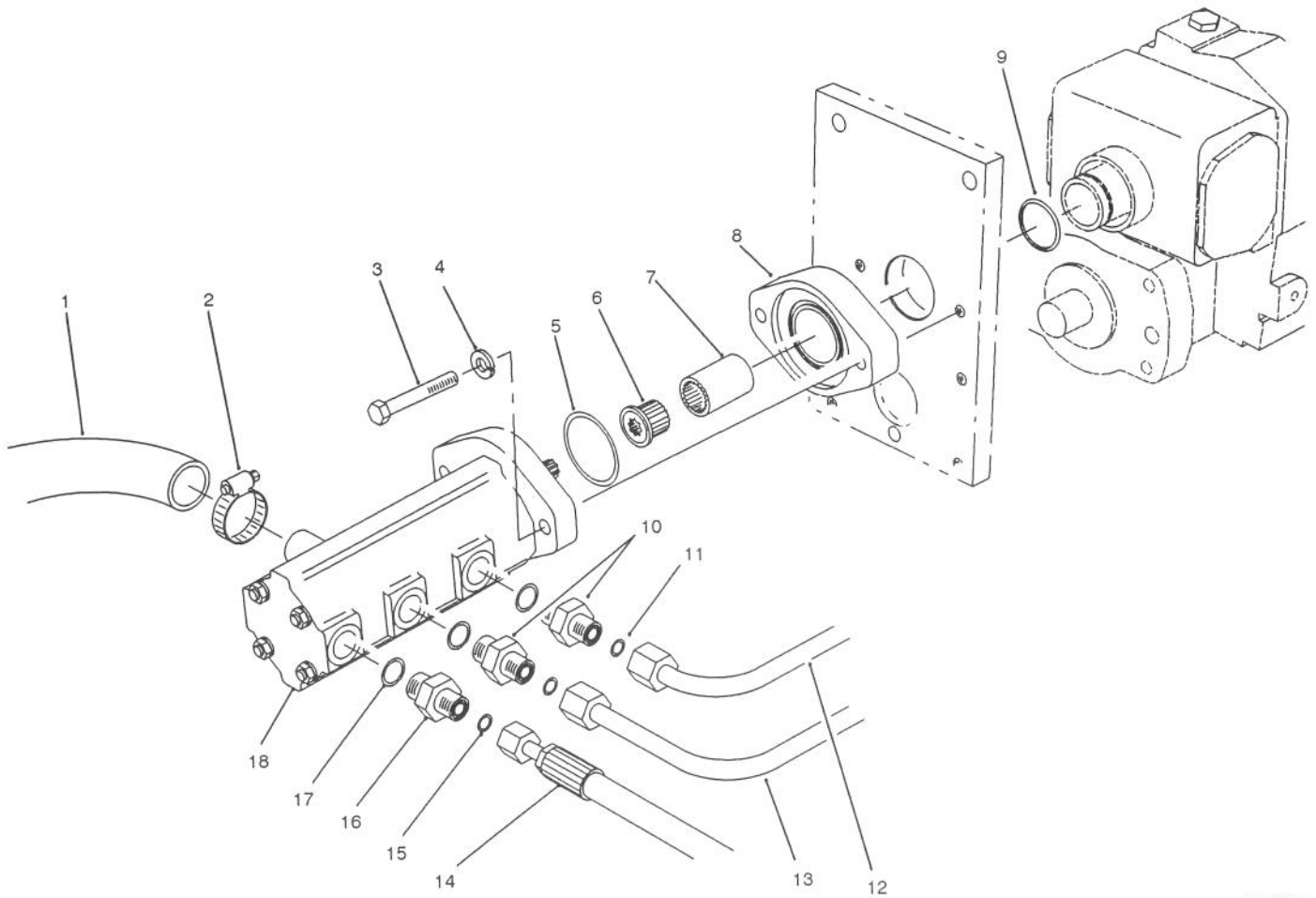


T-1051

TRACTION CONTROL ASSEMBLY

Ref. No.	Part No.	Description	No. Used
1	3272-10	Pin - Cotter	1
2	3256-26	Washer - Flat	1
3	322-10	Screw - Cap Hex. Hd.	1
4	32105-21	Screw	2
6	29-6162	Switch - Neutral	1
7	75-4130	Plate - Switch	1
8	76-9430	Spring - Extension	1
9	3296-29	Nut - Lock	4
10	322-7	Screw - Cap Hex. Hd.	1
11	251-259	Bearing - Ball	2
12	75-5470	Spacer	2
13	32144-22	Screw - Cap Hex. Hd.	4
15	75-4080	Plate - Traction	1
16	85-9900	Plate - Spring Anchor	1

Ref. No.	Part No.	Description	No. Used
17	3253-4	Washer - Lock	2
18	322-3	Screw - Cap Hex. Hd.	2
19	256-113	Bushing - Flange	2
20	302-5	Fitting - Grease	1
21	75-4090	Switch Arm Assembly (Incl. Ref. #19 & 20)	1
22	3-6498	Washer - Thrust	2
23	76-8640	Stud - Traction	1
24	3296-9	Nut - Hex.	2
25	75-4100	Control - Pump	1
26	23-2270	Bushing - Rubber	1
27	85-9910	Eyebolt	1
28	3217-6	Nut - Hex.	1

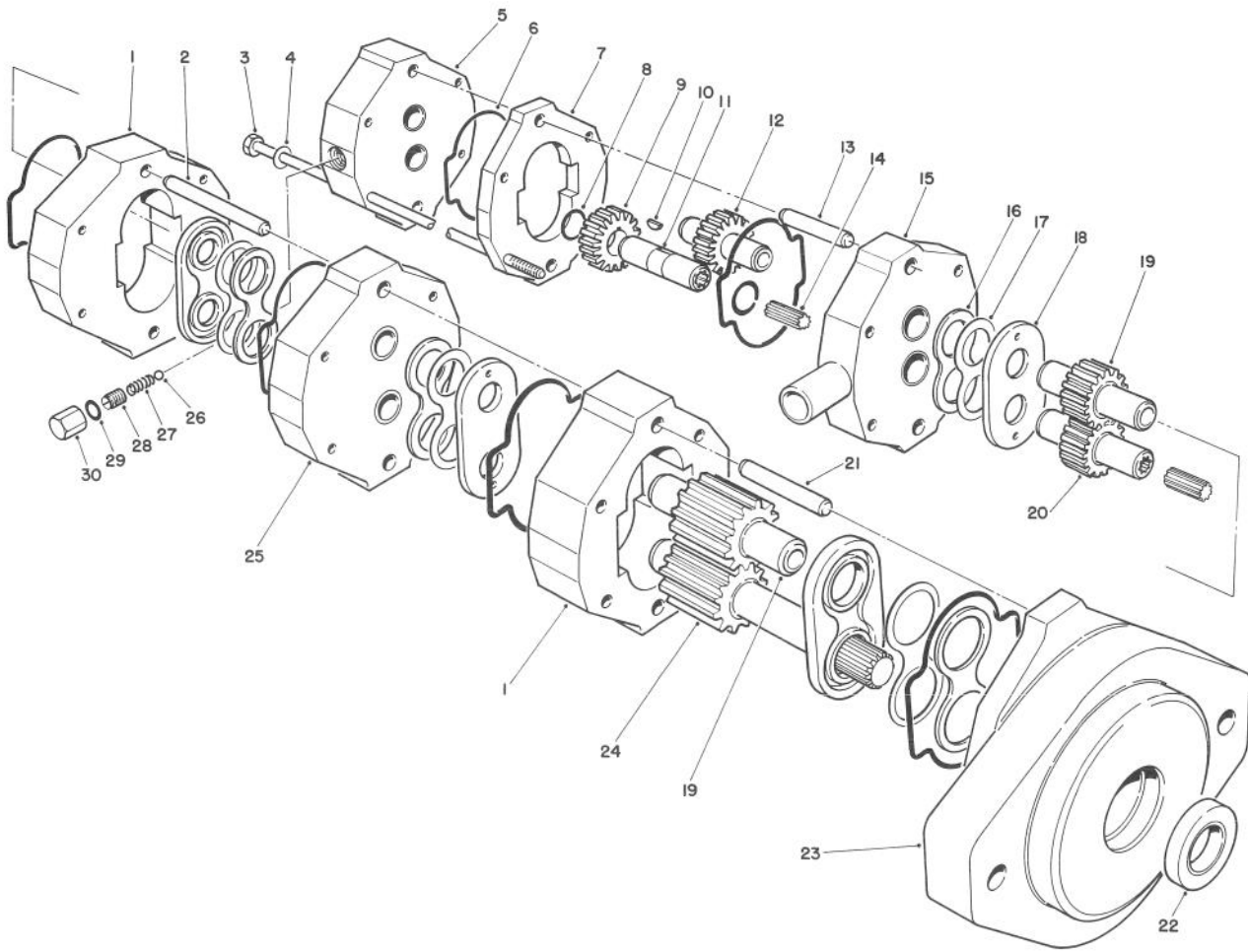


T-1052

GEAR PUMP INSTALLATION ASSEMBLY

Ref. No.	Part No.	Description	No. Used
1	75-6870	Hose - Suction	1
2	2412-34	Clamp - Hose	1
3	323-12	Screw - Cap Hex. Hd.	2
4	3253-5	Washer - Lock	2
5	237-162	Seal - O-Ring	1
6	86-9200	Sleeve - Pump	1
7	75-2430	Coupling - Transmission	1
8	75-4400	Adaptor - Transmission	1
9	237-163	Seal - O-Ring	1
10	340-4	Fitting - Hydraulic Straight (Incl. Ref. #11 & 17)	2

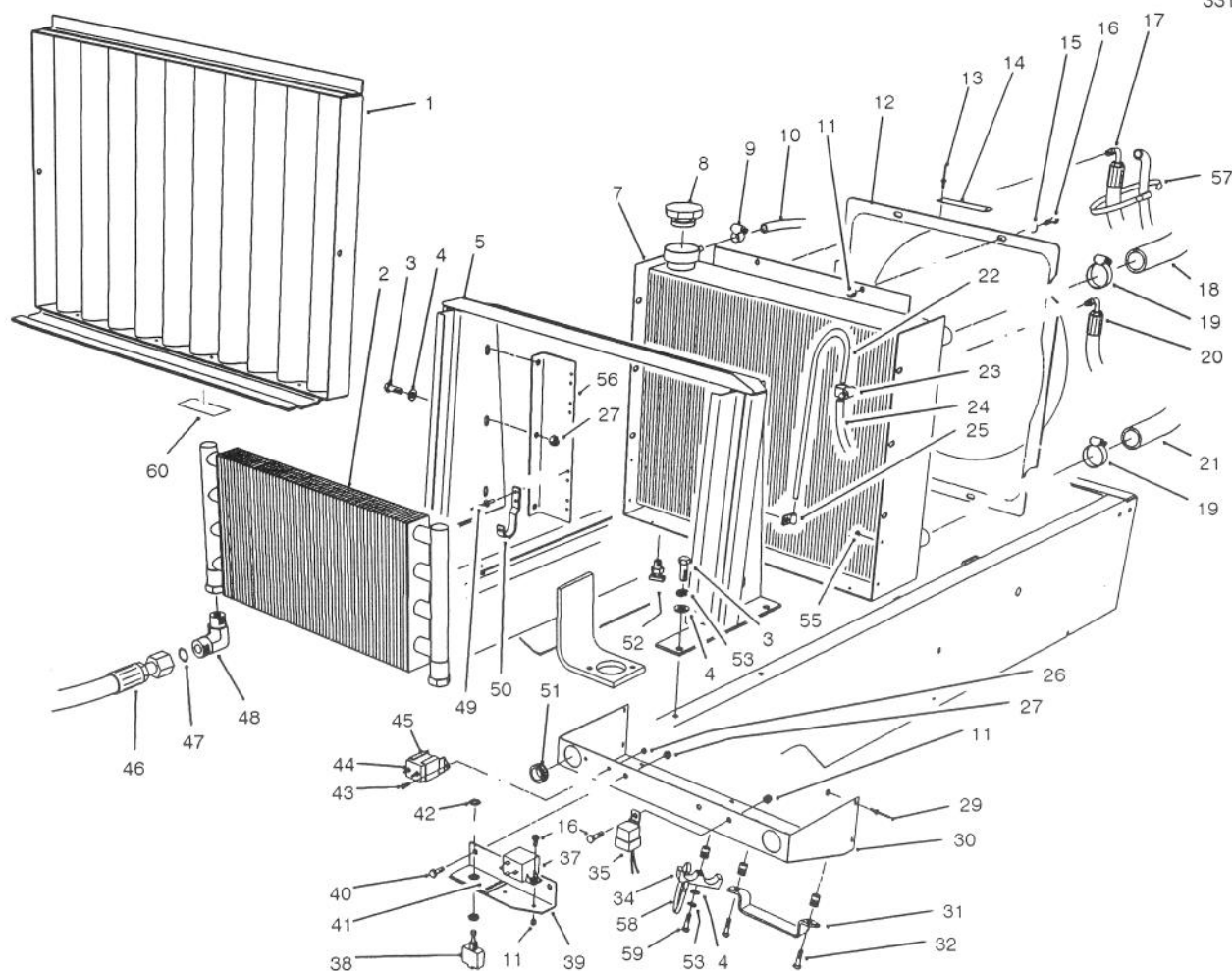
Ref. No.	Part No.	Description	No. Used
11	237-30	Seal - O-Ring	2
12	75-5240	Tube - Hydraulic	1
13	75-5250	Tube - Hydraulic	1
14	75-6240	Hose - Hydraulic	1
15	237-22	Seal - O-Ring	1
16	340-3	Fitting - Hydraulic Straight (Incl. Ref. #15 & 17)	1
17	237-79	Seal - O-Ring	3
18	75-0800	Gear Pump Assembly	1



T-1029

HYDRAULIC PUMP NO. 75-0800

Ref. No.	Part No.	Description	No. Used	Ref. No.	Part No.	Description	No. Used
1	354-54	Plate - Gear	2	17	354-67	Seal - Pre-Load Hi Pressure	4
2	354-56	Pin - Dowel	2	18	354-68	Plate - Load	4
3	354-64	Screw - Cap Hex. Hd.	4	19	354-66	Shaft - Idler	2
4	354-16	Washer	4	20	354-57	Gear - Drive	1
5	354-63	Cover Assembly	1	21	354-14	Pin - Dowel	2
6	353-922	Seal - Ring	6	22	354-15	Seal - Oil	1
7	354-60	Plate - Gear	1	23	354-53	Pump Body Assembly	1
8	353-886	Ring - Retaining	2	24	354-52	Shaft - Drive	1
9	354-62	Gear	1	25	354-55	Plate Assembly (Incl. Ref. #26-30)	1
10	354-61	Key - Woodruff	1	26	354-38	Ball - Valve	1
11	354-59	Shaft - Drive	1	27	354-39	Spring - Compression	1
12	354-65	Idler Shaft Assembly	1	28	354-37	Adjuster - Valve	1
13	354-13	Pin - Dowel	2	29	354-35	Gasket	1
14	354-5	Coupling	2	30	354-36	Cap - Adjuster Valve	1
15	354-58	Plate Assembly	1				
16	354-69	Seal - Load Hi Pressure	4				



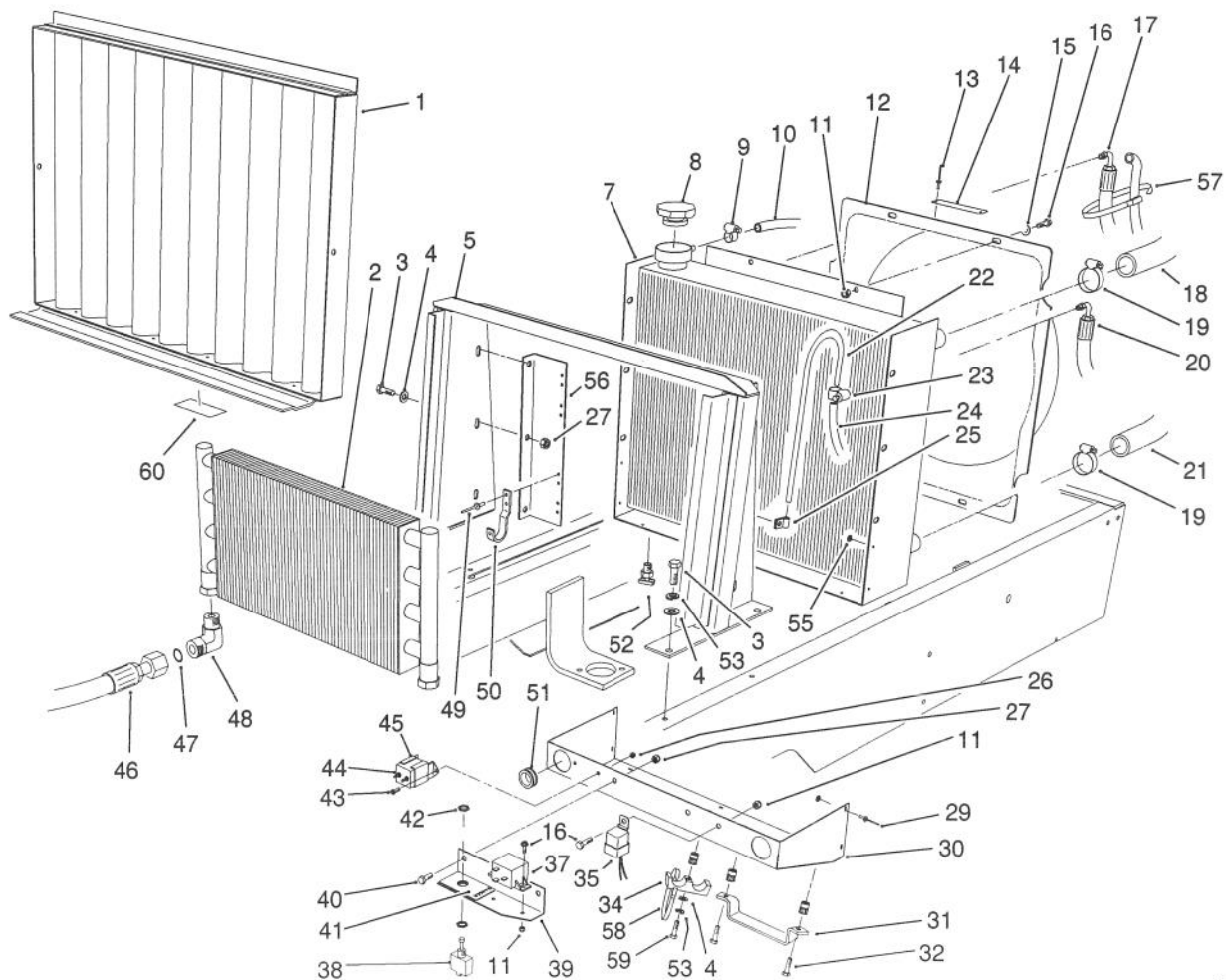
T-1053

RADIATOR ASSEMBLY

Ref. No.	Part No.	Description	No. Used	Ref. No.	Part No.	Description	No. Used
1	75-4060	Screen - Radiator	1	25	2412-103	Clamp - R	1
2	75-1040	Cooler - Oil	1	26	32149-7	Nut - Lock	2
3	322-5	Screw - Cap Hex. Hd.	10	27	3296-29	Nut - Lock	10
4	3256-23	Washer - Flat	12	29	3269-13	Rivet - Pop	7
5	75-4260	Support - Radiator	1	30	75-4310	Shield - Radiator	1
7	75-6290	Radiator	1	31	75-2860	Bracket - Hose	1
8	66-3240	Cap - Radiator	1	32	322-4	Screw - Cap Hex. Hd.	2
9	2412-108	Clamp - Hose	1	34	56-7974	Clamp - Tube	1
10	75-2850	Hose - Expansion Tank	1	35	63-7590	Relay - Starter	1
11	3296-42	Nut - Lock	7	37	66-8800	Relay - Glow Plug	1
12	75-4350	Shroud - Fan	1	38	75-1020	Switch - Backlap (Incl. Ref. #42)	1
13	3290-271	Rivet - Pop	2	39	75-3390	Bracket - Backlap	1
14	76-8750	Plate - Caution	1	40	322-2	Screw - Cap Hex. Hd.	2
15	3256-22	Washer - Flat	4	‡41	75-0750	Decal - Backlap Switch (English)	1
16	321-4	Screw - Cap Hex. Hd.	7	42	218-498	Nut - Lock	2
17	75-6170	Hose - Hydraulic	1	43	32105-8	Screw - Cap Hex. Hd.	2
18	75-2240	Hose - Radiator Upper	1	44	67-4700	Resistor - Glow	1
19	2412-3	Clamp - Hose	4	45	70-8560	Retainer - Glow Resistor	1
20	75-6150	Hose - Hydraulic	1	46	75-6140	Hose - Hydraulic R.H.	1
21	75-2260	Hose - Radiator Lower	1	*	75-6160	Hose - Hydraulic L.H.	1
22	66-3180	Tube - Vent	1	47	237-65	Seal - O-Ring	2
23	2412-74	Clamp - Hose	1				
24	75-4701	Hose - Fuel Vent	1				

*Not Illustrated

‡For different language versions of this part, see International Decal Cross Reference.



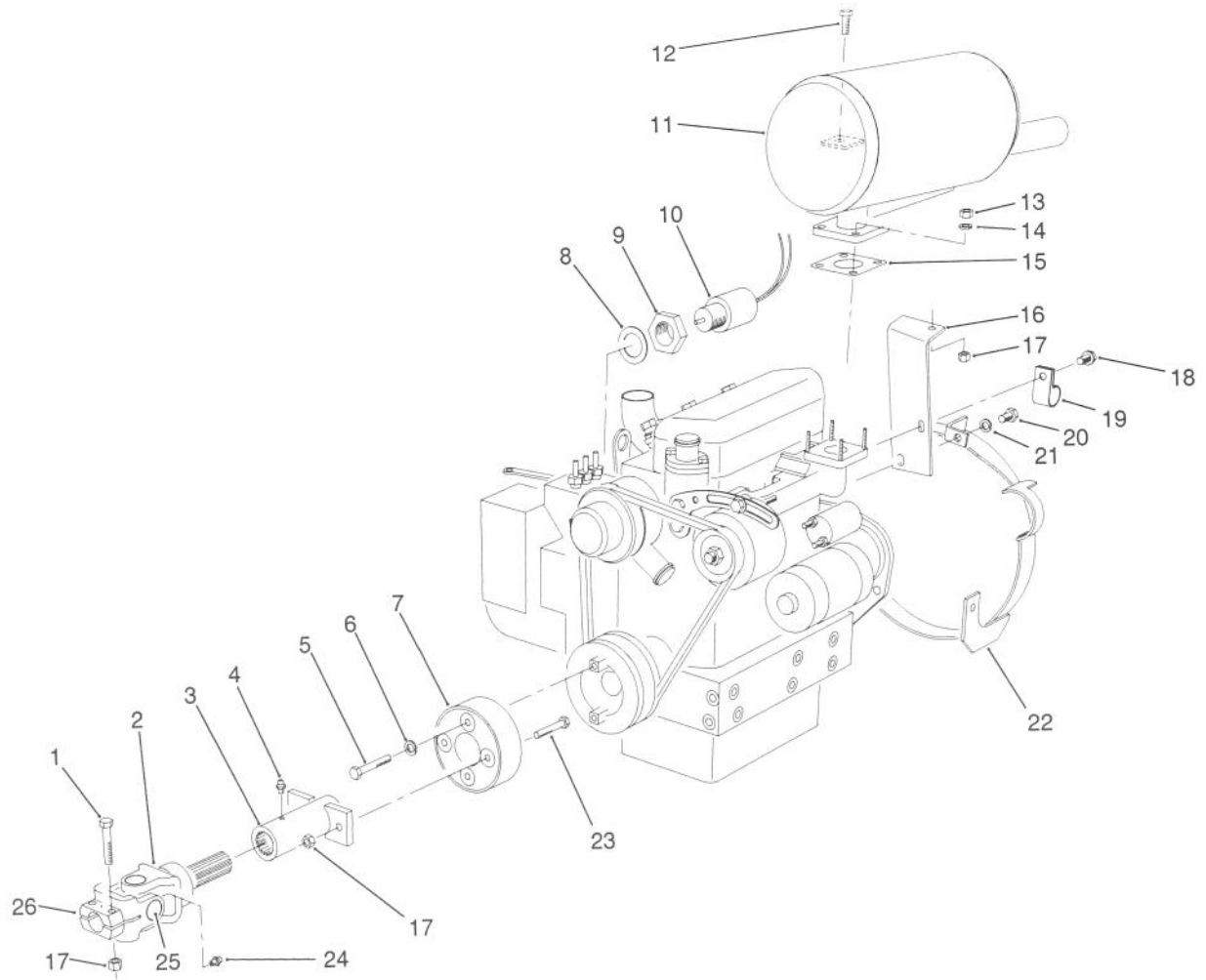
T-1053

RADIATOR ASSEMBLY (Continued)

Ref. No.	Part No.	Description	No. Used	Ref. No.	Part No.	Description	No. Used
48	340-108	Fitting - Hydraulic 90° (Incl. Ref. #47)	2	55	3256-13	Washer - Flat	7
49	3269-15	Rivet - Pop	8	56	75-5160	Plate - Support	2
50	75-0930	Hook - Oil Cooler	4	57	3290-378	Tie - Cable	1
51	240-3	Grommet	2	58	3333-975	Tie - Cable	1
52	304-46	Drain - Radiator	1	59	322-6	Screw - Cap Hex. Hd.	1
53	3253-4	Washer - Lock	5	‡60	83-7450	Decal - Down (English)	1

*Not Illustrated

‡For different language versions of this part, see International Decal Cross Reference.

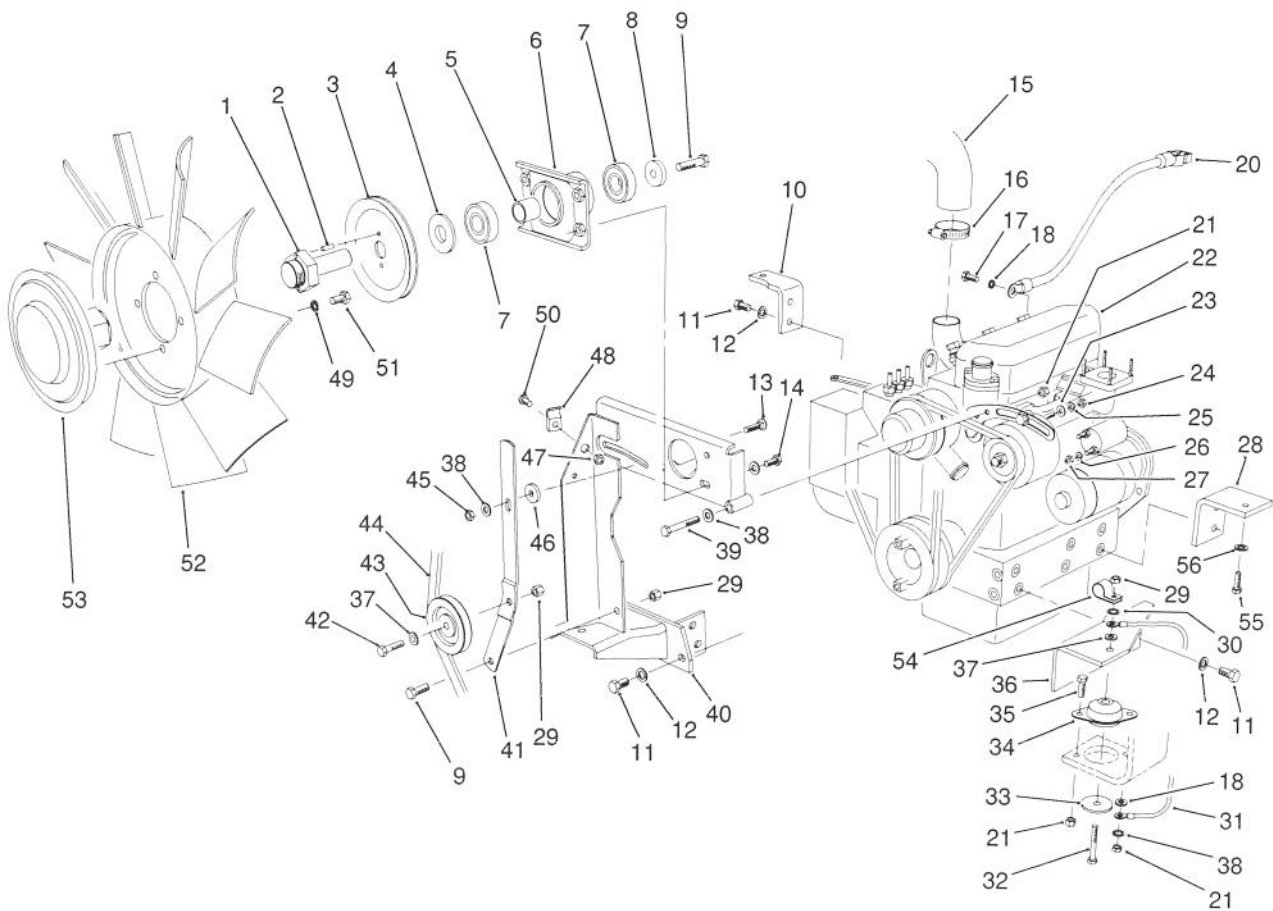


T-1054

MUFFLER & PUMP DRIVE ASSEMBLY

Ref. No.	Part No.	Description	No. Used	Ref. No.	Part No.	Description	No. Used
1	322-9	Screw - Cap Hex. Hd.	2	13	48-7930	Nut - Lock	4
2	75-6410	Yoke - Shaft	1	14	42-9850	Washer - Lock	4
3	75-6420	Yoke - Slip Tube	1	15	53-8130	Gasket - Muffler	1
4	62-3880	Fitting - Grease	1	16	75-4490	Bracket - Muffler	1
5	43-3220	Screw - Cap Hex. Hd.	2	17	3296-29	Nut - Lock	5
6	48-9570	Washer - Lock	2	18	67-2340	Screw - Hex. Washer Hd.	1
7	75-4630	Coupling - Driveshaft	1	19	2412-81	Clamp - R	1
8	43-2740	Gasket	1	20	43-0090	Screw - Cap Hex. Hd.	3
9	43-2750	Nut - Lock	1	21	48-9590	Washer - Lock	1
10	63-7440	Solenoid - Stop	1	22	75-0940	Guard - Flywheel	1
11	75-1070	Muffler	1	23	322-12	Screw - Cap Hex. Hd.	2
*	75-6880	Screen - Spark Arrester (Optional)	1	24	62-3820	Fitting - Grease	1
12	322-4	Screw - Cap Hex. Hd.	1	25	54-9180	Kit - U-Joint	1
				26	54-9040	Yoke - End	1

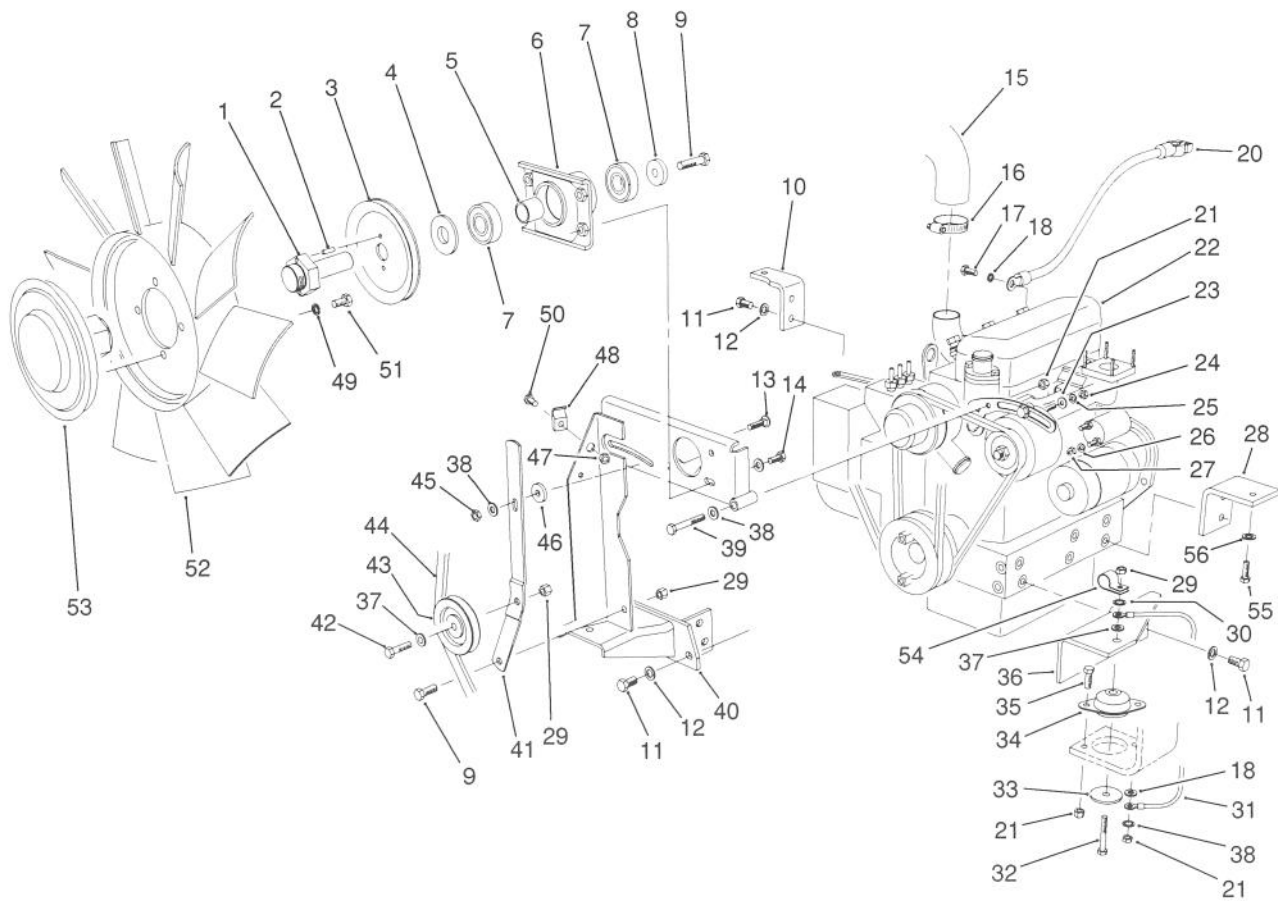
*Not Illustrated



T-1055

ENGINE INSTALLATION ASSEMBLY

Ref. No.	Part No.	Description	No. Used	Ref. No.	Part No.	Description	No. Used
1	75-6380	Shaft - Fan	1	25	43-5920	Washer - Lock	1
2	32121-2	Pin - Roll	2	26	42-9850	Washer - Lock	2
3	75-6390	Pulley - Fan	1	27	57-6390	Nut - Lock	2
4	47-0110	Spacer - Spindle	1	28	75-2830	Bracket - Engine L.H. Rear	1
5	75-5310	Spacer - Bearing	1	29	3296-39	Nut - Lock	5
6	75-4450	Hub - Fan Drive	1	30	3255-9	Washer - Lock E.T.L.W.	1
7	251-318	Bearing - Ball	2	31	70-8220	Cable - Ground	1
8	67-1630	Spacer - Fan	1	32	323-11	Screw - Cap Hex. Hd.	3
9	323-6	Screw - Cap Hex. Hd.	2	33	63-7400	Washer - Flat	4
10	71-2910	Bracket - Engine R.H. Rear	1	34	63-7140	Mount - Engine	4
11	63-7790	Screw - Cap Hex. Hd.	8	35	322-5	Screw - Cap Hex. Hd.	8
12	48-9590	Washer - Lock	10	36	66-2320	Bracket - Engine L.H. Front	1
13	3230-2	Bolt - Carriage	1	37	3256-24	Washer - Flat	4
14	322-3	Screw - Cap Hex. Hd.	4	38	3256-23	Washer - Flat	5
15	75-2460	Hose - Air Cleaner	1	39	322-11	Screw - Cap Hex. Hd.	1
16	2412-92	Clamp - Hose	1	40	75-4220	Bracket - Fan	1
17	48-7700	Screw - Cap Hex. Hd.	1	41	63-6720	Bracket - Fan Idler	1
18	3255-8	Washer - Lock	2	42	323-8	Screw - Cap Hex. Hd.	1
20	75-1360	Cable - Battery (Ground)	1	43	63-8140	Pulley - Idler	1
21	3296-29	Nut - Lock	9	44	75-1380	Belt - V	1
22	75-0900	Engine Assembly	1	45	32149-1	Nut - Lock	1
23	5-3637	Washer - Flat	1	46	27-9560	Spacer	1
24	43-5970	Nut - Hex.	1	47	3296-42	Nut - Lock	1

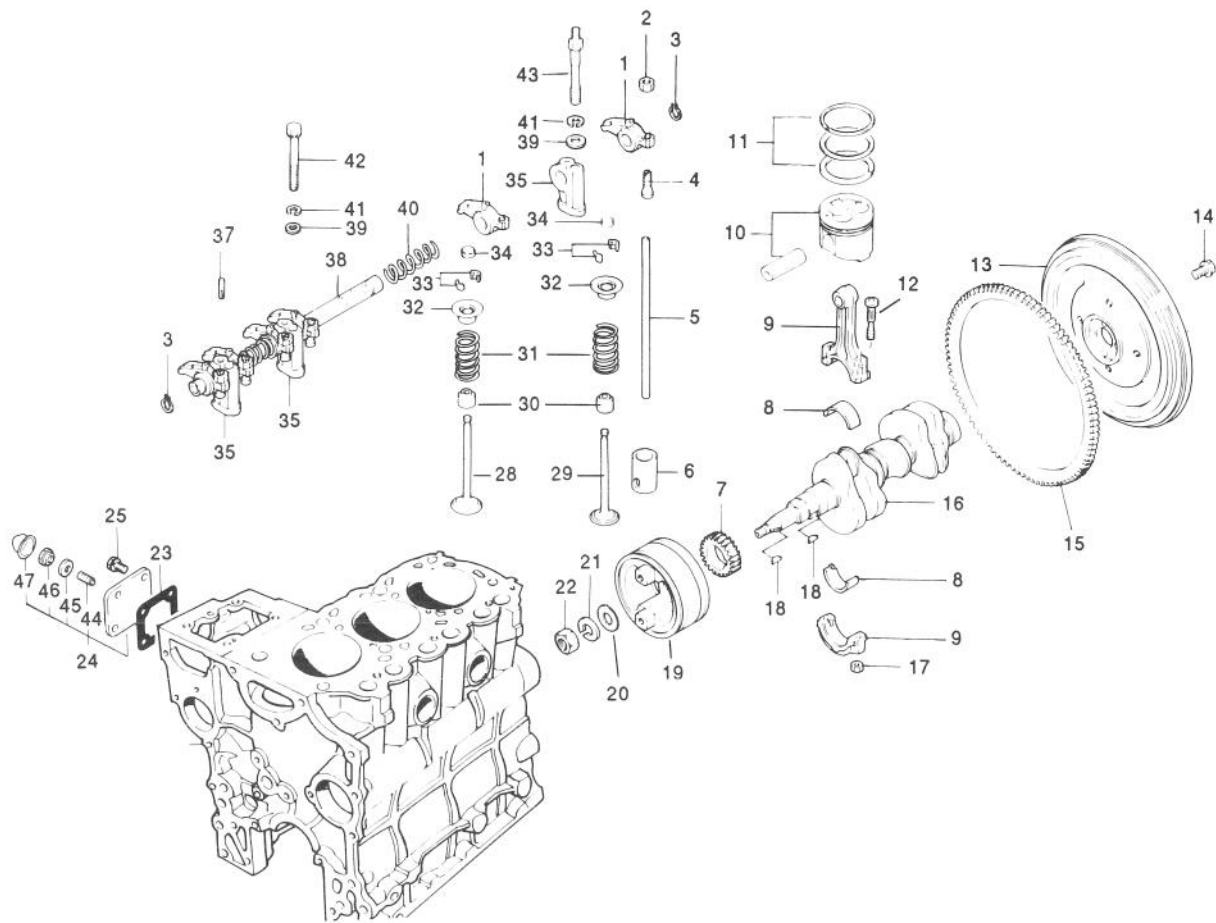


T-1055

ENGINE INSTALLATION ASSEMBLY (Continued)

Ref. No.	Part No.	Description	No. Used
48	3-6657	Clamp - Cable	1
49	3253-4	Washer - Lock	4
50	321-4	Screw - Cap Hex. Hd.	1
51	322-2	Screw - Cap Hex. Hd.	4
52	75-3780	Fan	1

Ref. No.	Part No.	Description	No. Used
53	74-5520	Clutch - Fan	1
54	2412-126	Clamp - R	1
55	323-9	Screw - Cap Hex. Hd.	1
56	3253-21	Washer - Lock	1

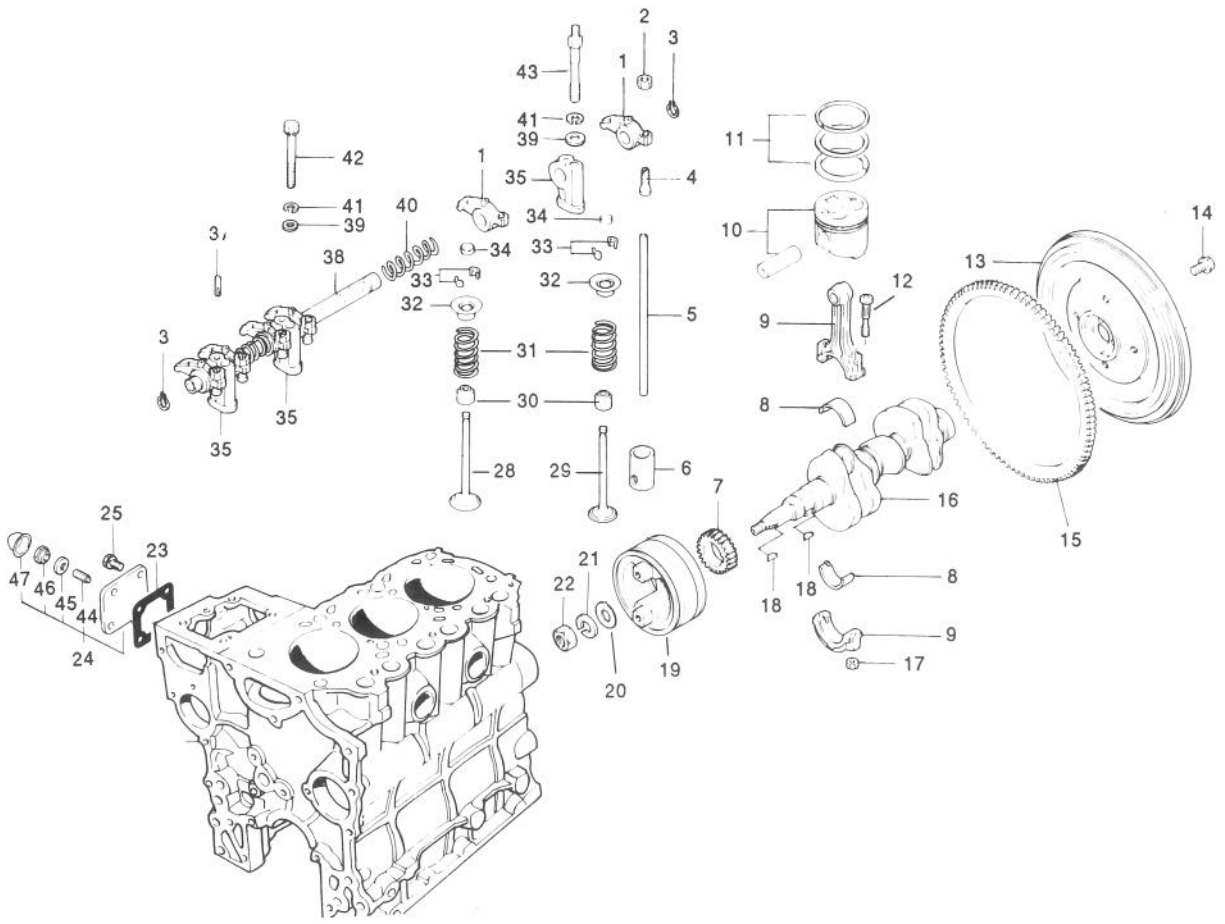


T-0565

VALVES AND CRANKSHAFT ASSEMBLY

Ref. No.	Part No.	Description	No. Used	Ref. No.	Part No.	Description	No. Used
1	67-3160	Arm-Rocker	6	14	67-2990	Bolt	4
2	67-3230	Nut - Jam	6	15	67-2980	Gear - Ring	1
3	67-3240	Snap Ring	2	16	67-2920	Crankshaft	1
4	67-3210	Screw - Adjusting	6	17	42-9590	Nut	6
5	67-3150	Rod-Push	6	18	56-0480	Key - Woodruff	2
6	67-3120	Tappet	6	19	67-2930	Pulley - Crankshaft	1
7	67-2910	Gear	1	20	67-2950	Washer	1
8	75-5010	Bearing Set STD	3	21	67-2960	Washer - Lock	1
*	67-2890	Bearing Set 0.25 mm US	3	22	67-2940	Nut - Jam	1
*	67-2900	Bearing Set 0.50 mm US	3	23	67-4310	Gasket	1
9	67-2850	Rod Assembly-Connecting (Incl. Ref. #12 & 17)	3	24	75-5110	Cover Assy. (Incl. Ref. #44-47)	1
10	75-5080	Piston & Pin Set STD	3	25	42-9440	Bolt W/Washer	4
*	75-5090	Piston & Pin Set 0.25 mm OS	3	28	67-3130	Valve - Intake	3
*	75-5100	Piston & Pin Set 0.50 mm OS	3	29	67-3140	Valve - Exhaust	3
11	75-5050	Ring Set STD	3	30	42-7870	Seal	6
*	75-5060	Ring Set 0.25 mm OS	3	31	67-3110	Spring	6
*	75-5070	Ring Set 0.50 mm OS	3	32	67-3100	Retainer	6
12	67-2860	Bolt	6	33	42-7860	Lock	12
13	67-2970	Flywheel Assembly (Incl. Ref. #14)	1	34	67-3180	Cap	6
				35	67-3200	Stay - Rocker	3
				37	67-3220	Pin	1
				38	67-3190	Rocker Shaft Assembly	1

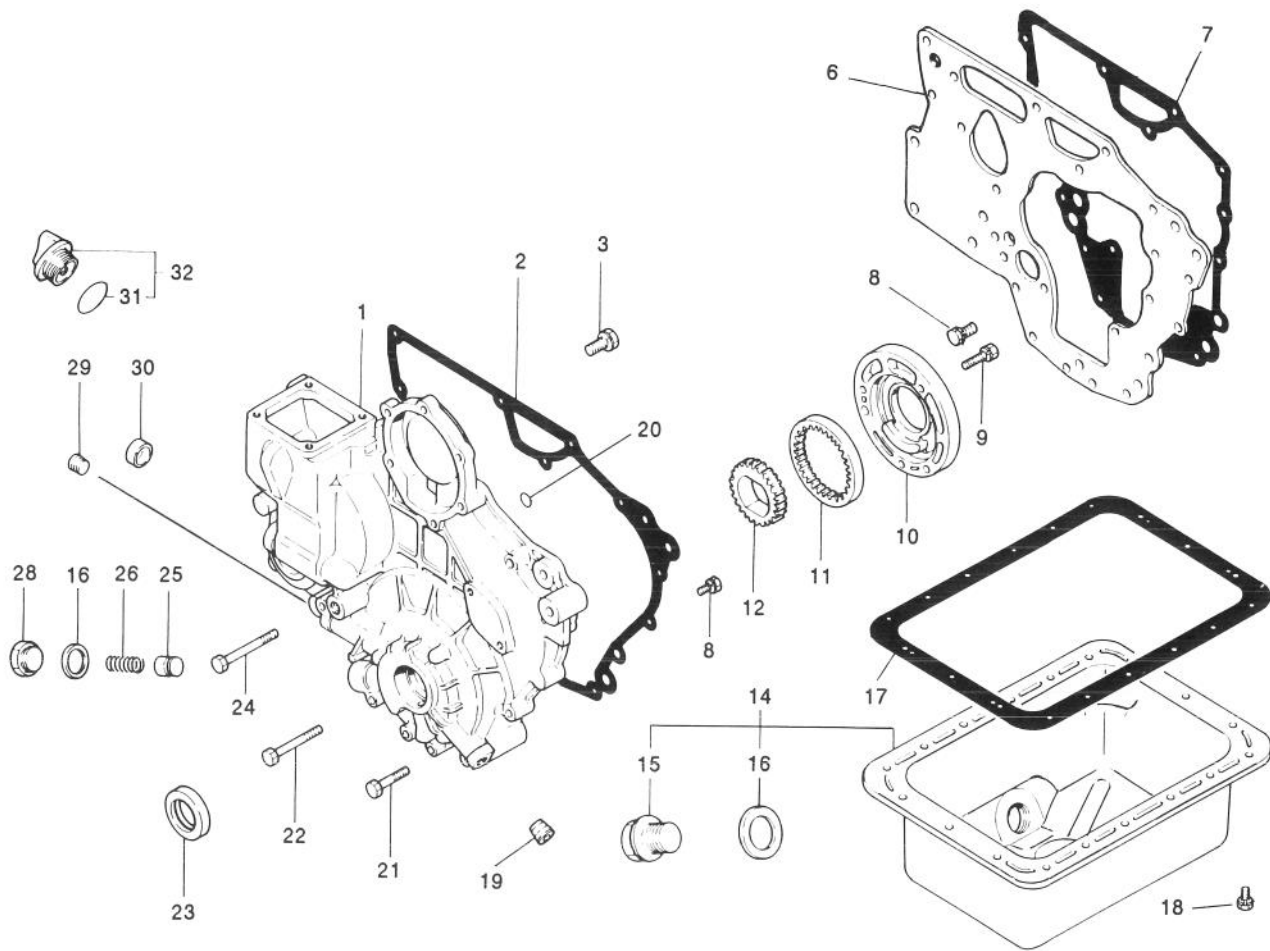
*Not Illustrated



T-0565

VALVES AND CRANKSHAFT ASSEMBLY (Continued)

Ref. No.	Part No.	Description	No. Used	Ref. No.	Part No.	Description	No. Used
39	42-9660	Washer	3	44	43-3160	Screw - Adjusting	1
40	67-3170	Spring	2	45	75-5120	Gasket	1
41	67-3260	Washer	3	46	43-5960	Nut - Special	1
42	42-9510	Bolt	1	47	43-2820	Cap - Sealing	1
43	67-3250	Bolt-Rocker Stay	2				



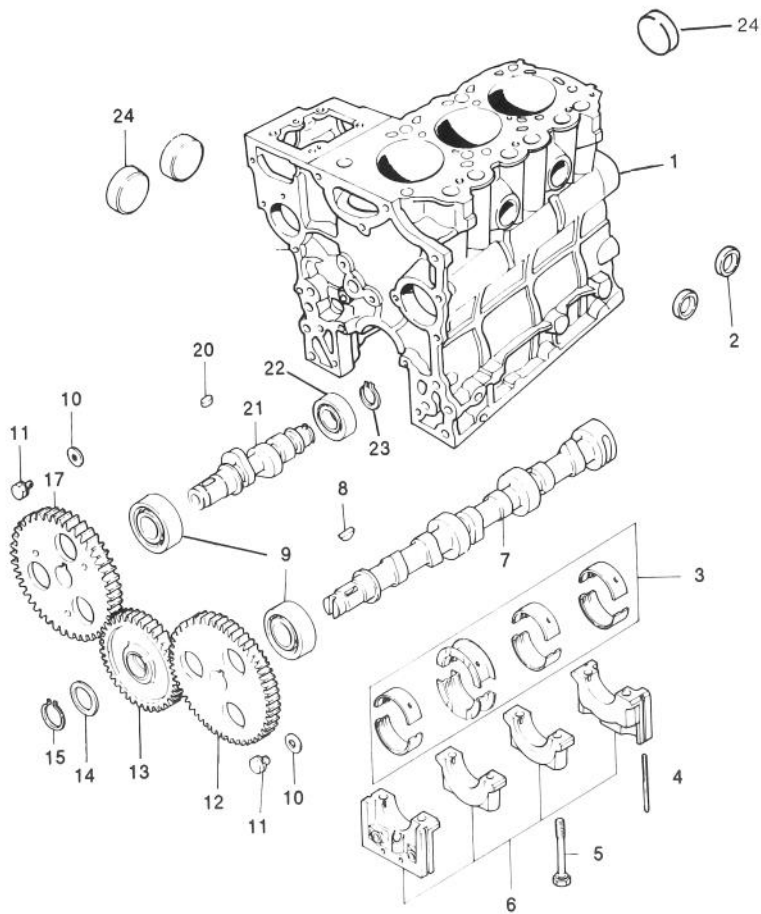
T-0567

CRANKCASE ASSEMBLY

Ref. No.	Part No.	Description	No. Used
1	75-4920	Case	1
2	67-2580	Gasket - Case	1
3	67-2340	Bolt W/Washer	3
6	67-2310	Plate - Front	1
7	67-2320	Gasket - Plate	1
8	42-9440	Bolt W/Washer	11
9	67-2560	Bolt W/Washer	3
10	67-2550	Housing - Oil Pump	1
11	67-2540	Gear - Outer	1
12	67-2530	Gear - Inner	1
14	75-4910	Oil Pan Assembly (Incl. Ref. #15-16)	1
15	42-9260	Plug - Drain	1
16	42-7290	Gasket - Drain	2
17	67-2480	Gasket - Oil Pan	1
18	42-9490	Bolt W/Washer	18

Ref. No.	Part No.	Description	No. Used
19	42-7210	Plug-Taper	1
20	67-2630	Seal - O-Ring	2
21	67-2600	Bolt	3
22	67-2610	Bolt	4
23	67-2590	Seal - Oil	1
24	67-2620	Bolt	1
25	67-2500	Plunger - Relief	1
26	67-2510	Spring - Relief	1
28	67-2520	Plug	1
29	67-2570	Plug - Taper	1
30	67-2640	Cap	1
31	67-2660	Seal - O-Ring	1
32	67-2650	Oil Fill Cap Assembly (Incl. Ref. #31)	1
*	75-5040	Gasket Kit (Incl. Ref. #2, 7, 16 & 17)	1

*Not Illustrated



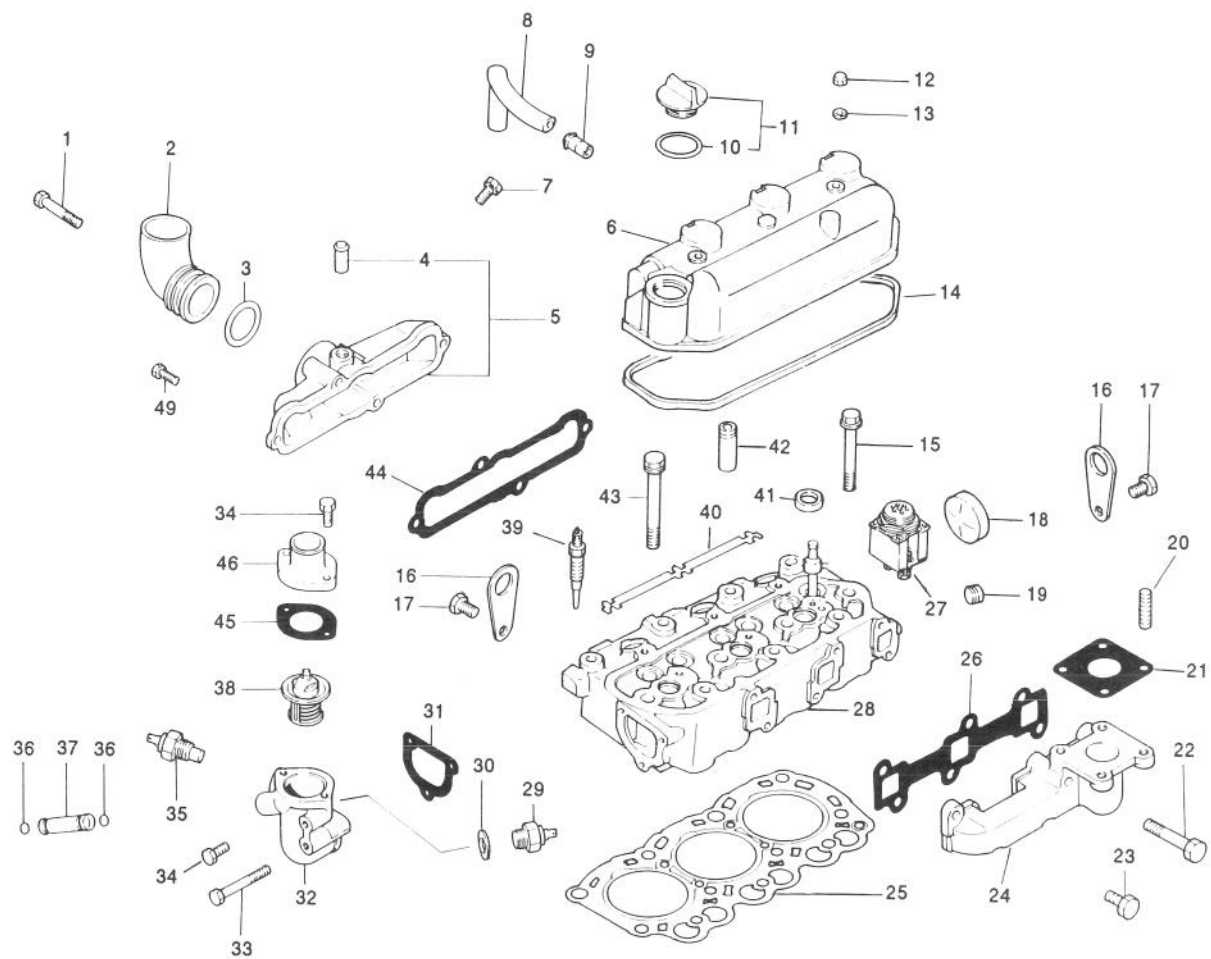
T-0564

CAMSHAFT ASSEMBLY

Ref. No.	Part No.	Description	No. Used
1	75-4960	Block Assembly (Incl. Ref. #2, 5, 6 & 24)	1
2	42-7080	Cap	2
3	75-4900	Bearing Set STD	1
*	67-2410	Bearing Set 0.25 mm US	1
*	67-2420	Bearing Set 0.50 mm US	1
4	67-2200	Seal	4
5	67-2250	Bolt	8
6		Gap Assembly	1
7	67-3010	Cam Shaft	1
8	56-0480	Key - Woodruff	1
9	67-3030	Bearing	2

Ref. No.	Part No.	Description	No. Used
10	67-3000	Washer	2
11	42-9490	Bolt W/Washer	2
12	67-3020	Gear	1
13	67-3090	Gear Assembly	1
14	67-3040	Plate	1
15	56-1060	Snap Ring	1
17	67-3070	Gear	1
20	42-7840	Key	1
21	67-3060	Shaft	1
22	67-3050	Bearing	1
23	67-3080	Snap Ring	1
24	56-0020	Plug	3

*Not Illustrated

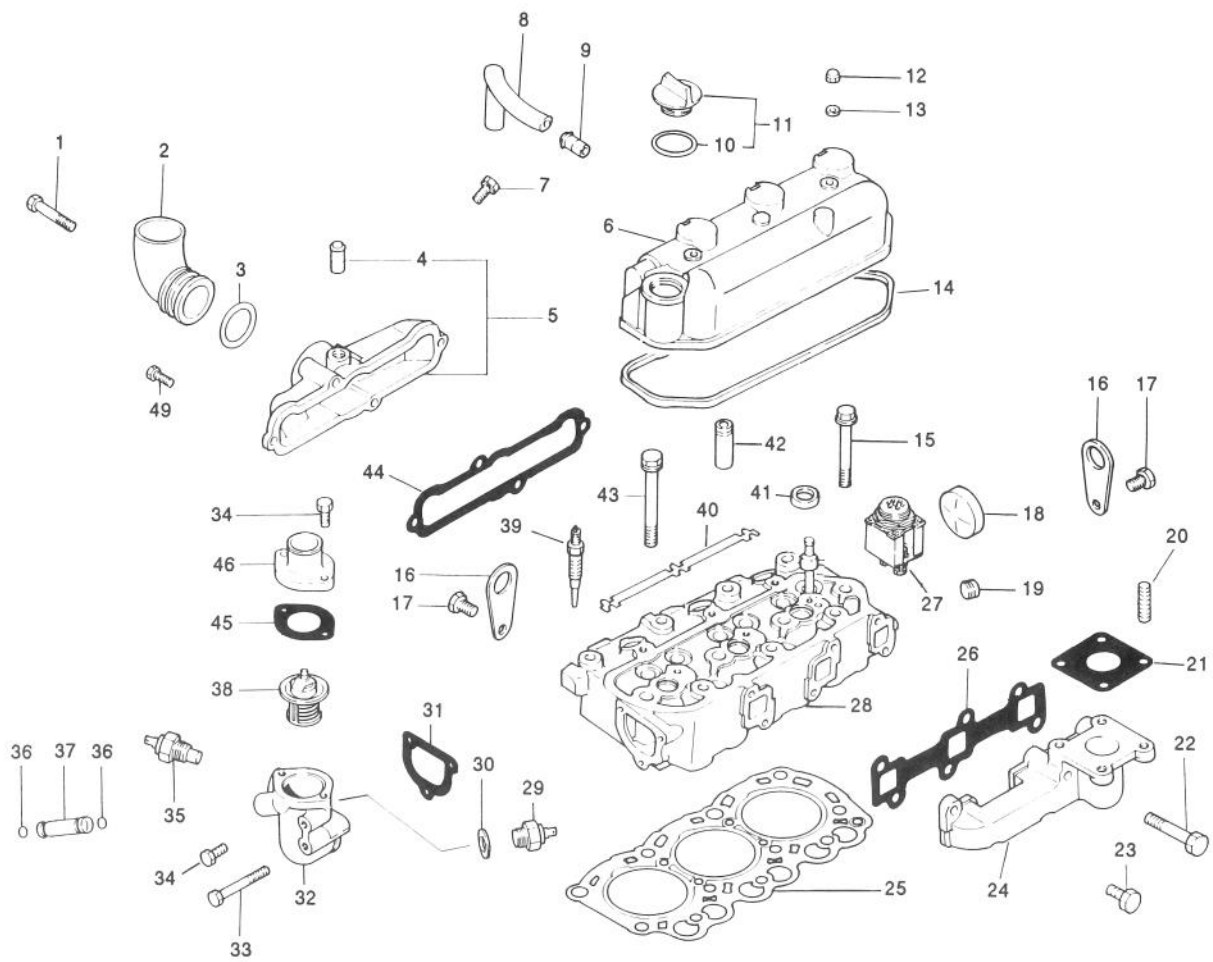


T-0566

CYLINDER HEAD ASSEMBLY

Ref. No.	Part No.	Description	No. Used
1	67-4400	Bolt	2
2	67-4520	Pipe	1
3	67-4540	Seal - O-Ring	1
4	42-7510	Pipe	1
5	67-4530	Cover - Intake	1
6	67-2750	Cover Assembly (Incl. Ref. #9)	1
7	42-9430	Bolt W/Washer	1
8	67-2670	Hose - Breather	1
9	42-7510	Pipe	1
10	67-2660	Seal - O-Ring	1
11	67-2650	Cap - Oil Filler	1
12	67-2770	Nut - Cap	2
13	67-2780	Washer	2
14	67-2760	Gasket	1
15	67-2740	Bolt - Flange	3
16	67-2680	Hanger -Engine	2
17	67-2340	Bolt W/Washer	4
18	56-0020	Plug - Expansion	1
19	67-2570	Plug - Taper	1
20	42-9570	Stud	4
21	42-9110	Gasket	1
22	67-4580	Bolt	2

Ref. No.	Part No.	Description	No. Used
23	67-4590	Bolt	4
24	67-4560	Manifold - Exhaust	1
25	75-4950	Gasket - Cylinder Head	1
26	67-4570	Gasket - Exhaust Manifold	1
27	67-4700	Lamp - Glow	1
28	75-4930	Cylinder Head Assembly (Incl. Ref. #18, 41 & 42)	1
29	67-4500	Switch - Thermo	1
30	67-4490	Gasket	1
31	67-4460	Gasket - Switch	1
32	67-4450	Fitting - Thermostat	1
33	67-4470	Bolt	1
34	67-2330	Bolt	4
35	67-4510	Gauge Nut - Temperature	1
36	43-2710	Seal - O-Ring	2
37	67-4480	Pipe - By-Pass	1
38	67-4440	Thermostat	1
39	67-4680	Plug - Glow	3
40	67-4690	Plate - Glow Plug	1
41	67-2710	Cap - Sealing	3
42	67-2700	Guide - Valve	6
43	67-2730	Bolt	8
44	67-4550	Gasket-Intake Manifold	1

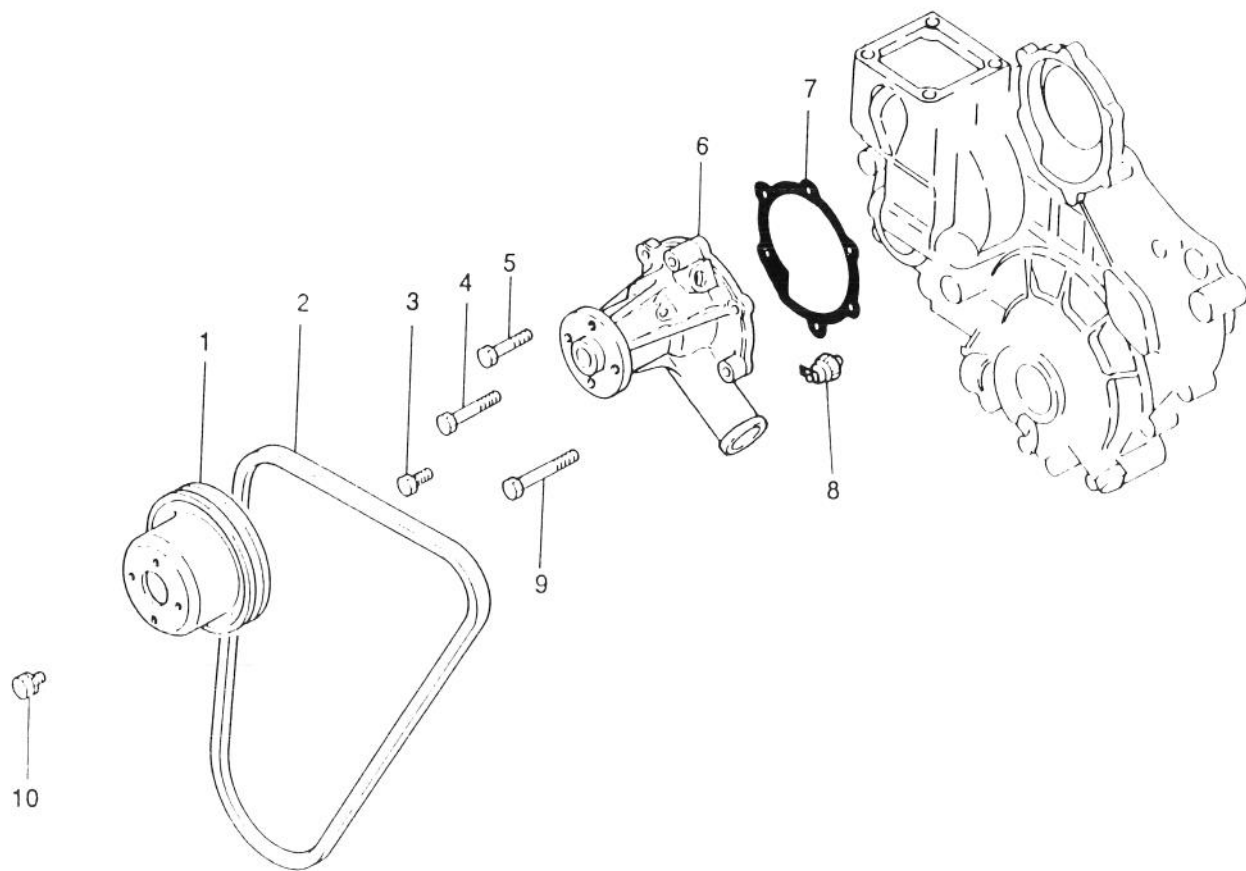


T-0566

CYLINDER HEAD ASSEMBLY (Continued)

Ref. No.	Part No.	Description	No. Used
45	67-4430	Gasket - Fitting	1
46	67-4420	Fitting - Water	1

Ref. No.	Part No.	Description	No. Used
49	67-2330	Bolt	2

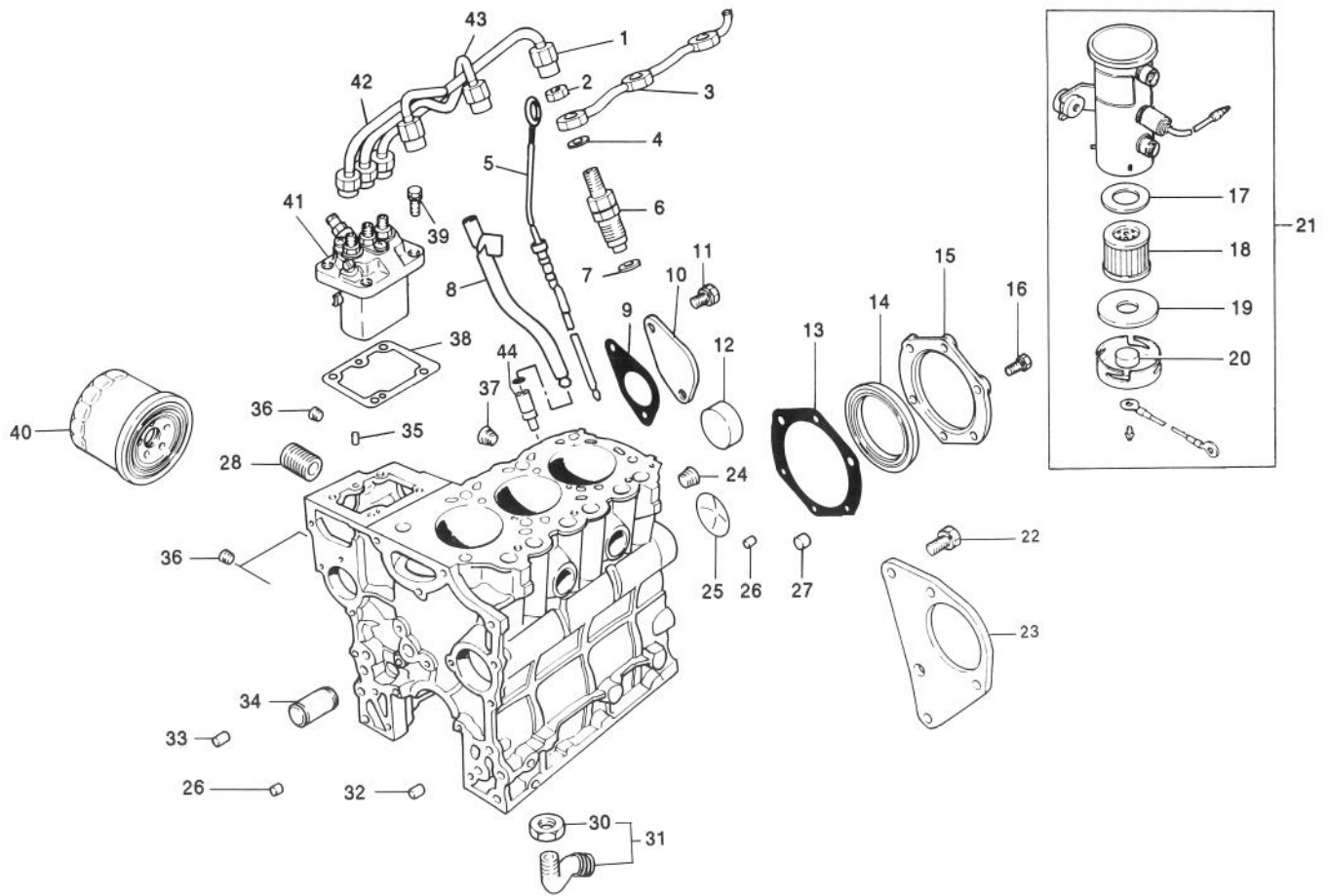


T-0568

WATER PUMP ASSEMBLY

Ref. No.	Part No.	Description	No. Used
1	67-4360	Pulley - Water Pump	1
2	67-4410	V-Belt	1
3	67-2330	Bolt	2
4	67-4400	Bolt	1
5	67-2600	Bolt	1

Ref. No.	Part No.	Description	No. Used
6	67-4380	Water Pump Assembly	1
7	67-4390	Gasket - Water Pump	1
8	67-4350	Switch - Oil Pressure	1
9	67-2610	Bolt	2
10	42-9490	Bolt W/Washer	4

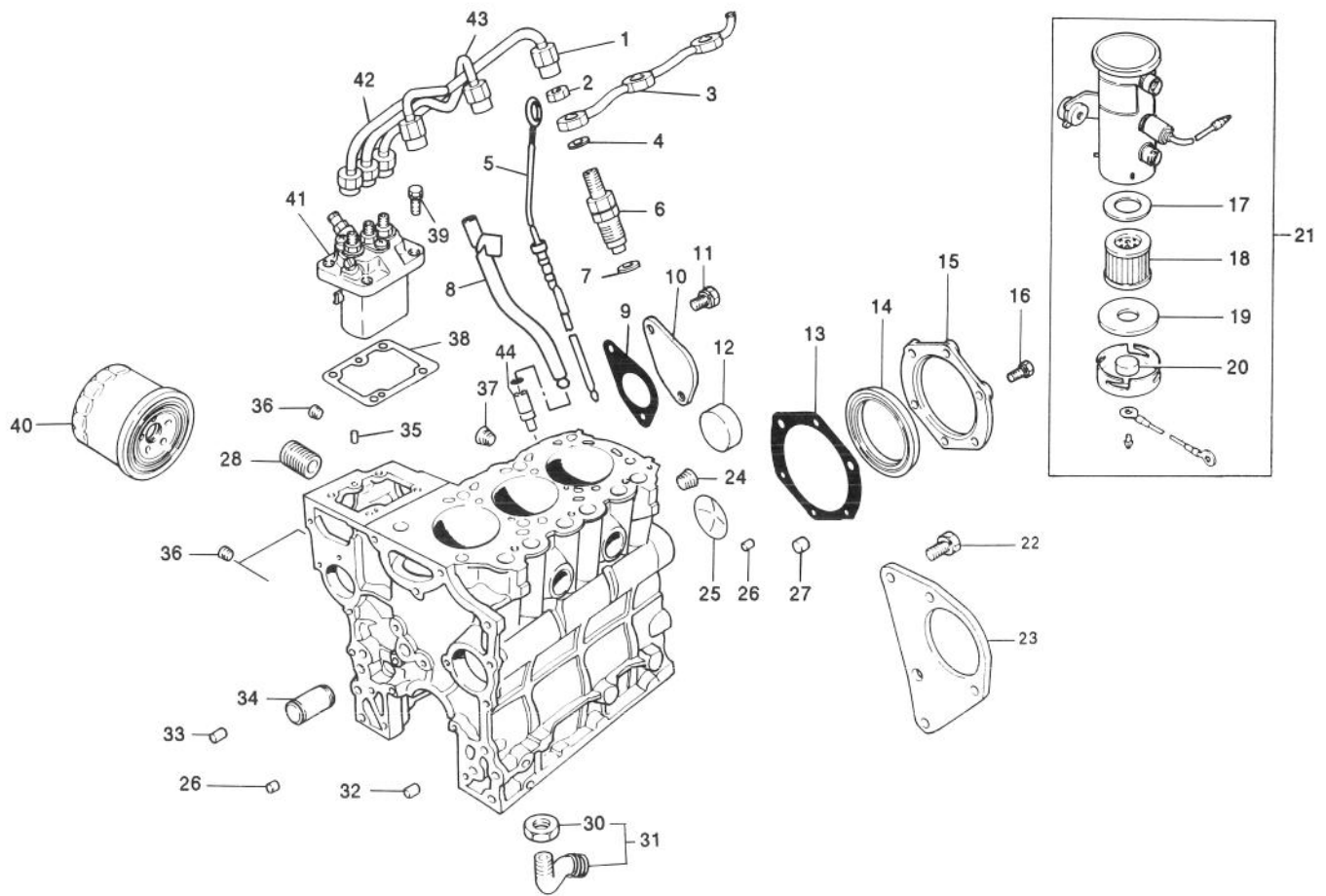


T-0569

FUEL SUPPLY & ENGINE BLOCK ASSEMBLY

Ref. No.	Part No.	Description	No. Used	Ref. No.	Part No.	Description	No. Used
1	67-3420	Pipe Assy. No. 3	1	22	67-2440	Bolt W/Washer	3
2	67-3430	Nut	3	23	67-2430	Bracket - Starter	1
3	70-8700	Pipe - Fuel Return	1	24	67-2390	Plug - Taper	1
4	67-3440	Gasket	3	25	67-2350	Plug - Expansion	1
5	70-8880	Dipstick	1	26	67-2360	Bushing - Knock	2
6	67-3380	Nozzle & Holder Assembly	1	27	67-2380	Bushing - Knock	3
7	67-3390	Gasket - Nozzle Holder	3	28	56-1230	Shaft - Oil Filter	1
8	70-8870	Guide - Oil Level	1	30	42-9650	Nut - Jam	1
9	67-2300	Gasket	1	31	67-4340	Screen Assembly (Incl. Ref. #30)	1
10	67-2290	Cover	1	32	67-2370	Bushing - Knock	1
11	67-2340	Bolt W/Washer	2	33	42-7190	Bushing - Knock	2
12	56-0020	Plug-Expansion	3	34	67-2260	Shaft-Idler	1
13	67-2280	Gasket-Seal, Oil	1	35	56-0220	Pin - Dowel	2
14	67-2230	Seal-Oil	1	36	67-2210	Plug - Taper	3
15	67-2270	Case - Oil Seal	1	37	56-0100	Plug - Taper	1
16	67-2330	Bolt	6	38	67-3280	Shim 0.2 mm	1
17	43-2570	Gasket-Coil Side	1	*	67-3290	Shim 0.3 mm	1
18	43-2550	Filter	1	*	67-3300	Shim 0.5 mm	1
19	43-2560	Gasket - Side Cover	1	*	67-3310	Shim 0.4 mm	1
20	43-2580	Magnet	1	*	67-3320	Shim 0.6 mm	1
21	53-8150	Pump Assembly (Incl. Ref. #17-20)	1				

*Not Illustrated

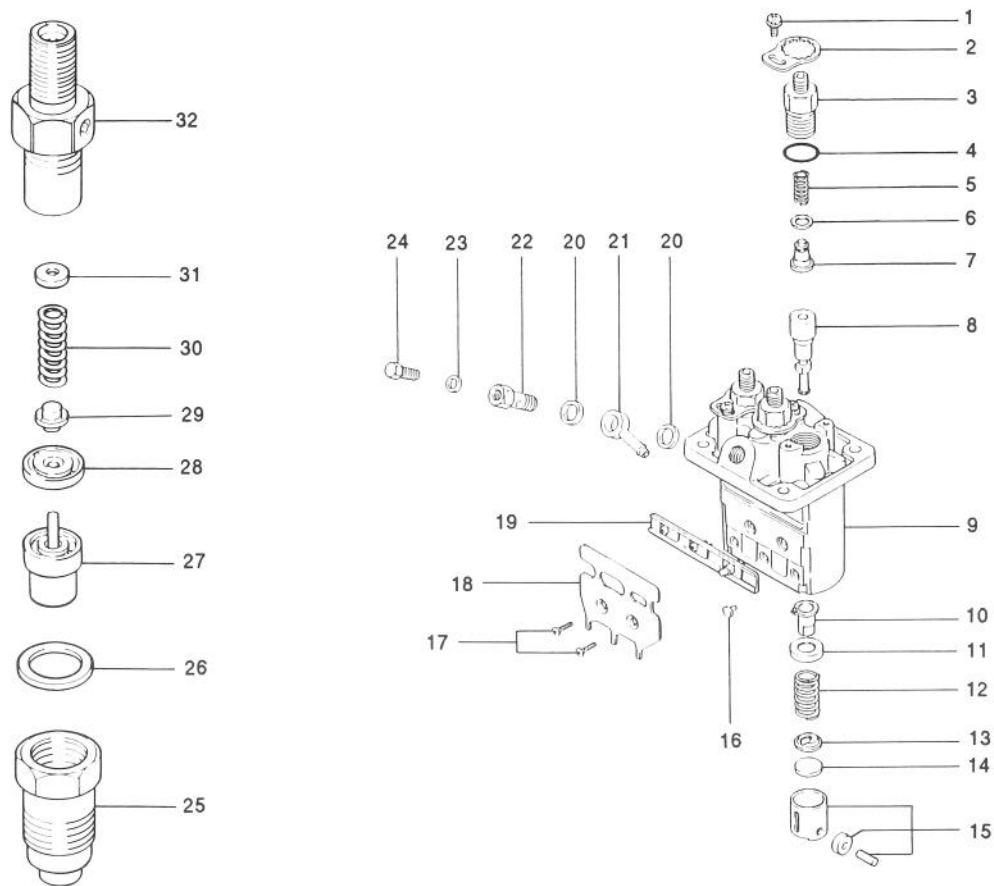


T-0569

FUEL SUPPLY & ENGINE BLOCK ASSEMBLY (Continued)

Ref. No.	Part No.	Description	No. Used	Ref. No.	Part No.	Description	No. Used
38	67-3330	Shim 0.7 mm	1	40	67-4330	Oil Filter Assembly	1
*	67-3340	Shim 0.8 mm	1	41	75-5020	Injector Pump Assembly	1
*	67-3350	Shim 0.9 mm	1	42	67-3400	Pipe Assy. No. 1	1
*	67-3360	Shim 1.0 mm	1	43	67-3410	Pipe Assy. No. 2	1
39	67-3370	Bolt W/Washer	4	44	82-8110	Retainer - Oil Guide	1

*Not Illustrated



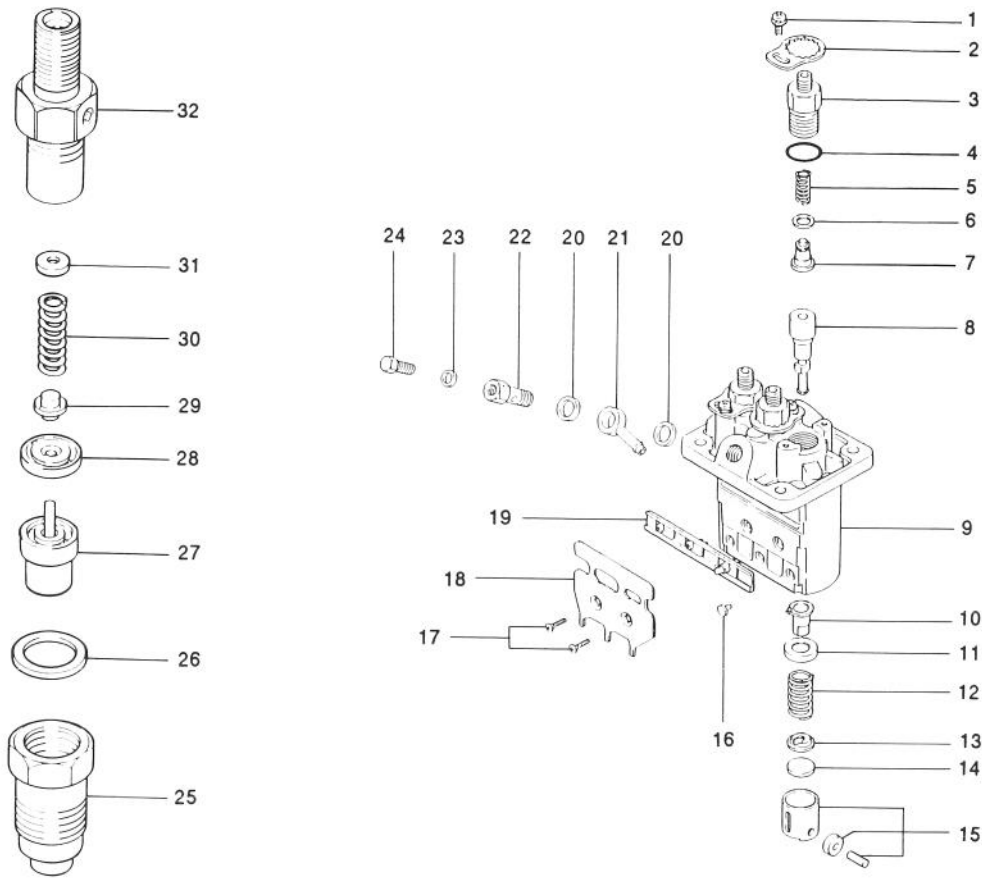
T-0570

FUEL INJECTION PUMP ASSEMBLY

Ref. No.	Part No.	Description	No. Used
1	67-3770	Screw W/Washer	3
2	67-3760	Plate - Lock	3
3	67-3740	Holder-Delivery Valve	3
4	67-3480	Seal - O-Ring	3
5	67-3490	Spring	3
6	42-8240	Gasket	3
7	67-3500	Valve	3
8	75-4970	Element	3
9	67-3460	Housing-Pump	1
10	67-3520	Sleeve	3
11	67-3530	Seat - Spring Upper	3
12	67-3540	Spring	3
13	67-3550	Seat - Spring Lower	3
14	67-3560	Plate - Shim 1.85 mm	1
*	67-3570	Plate - Shim 1.9 mm	1
*	67-3580	Plate - Shim 1.95 mm	1
*	67-3590	Plate - Shim 2.0 mm	1
*	67-3600	Plate - Shim 2.05 mm	1
*	67-3610	Plate - Shim 2.1 mm	1
*	67-3620	Plate - Shim 2.15 mm	1
*	67-3630	Plate - Shim 2.2 mm	1
*	67-3640	Plate - Shim 2.25 mm	1

Ref. No.	Part No.	Description	No. Used
14	67-3650	Plate - Shim 2.3 mm	1
*	67-3660	Plate - Shim 2.35 mm	1
*	67-3670	Plate - Shim 2.4 mm	1
*	67-3680	Plate - Shim 2.45 mm	1
*	67-3690	Plate - Shim 2.5 mm	1
15	67-3700	Tappet	3
16	67-3810	Pin - Tappet Guide	3
17	67-3790	Screw	2
18	67-3800	Bracket - Wire Stop	1
19	67-3780	Rack	1
20	67-3750	Washer	2
21	67-3740	Nipple - Swivel	1
22	67-3730	Screw	1
23	67-3720	Washer	1
24	67-3710	Screw - Air Bleed	1
25	67-3970	Nut - Retaining	3
26	67-3980	Gasket	3
27	67-3960	Nozzle	3
28	67-3950	Piece - Distance	3
29	67-3940	Pin - Pressure	3
30	67-3930	Spring	3
31	67-3830	Washer 1.25 mm	1

*Not Illustrated



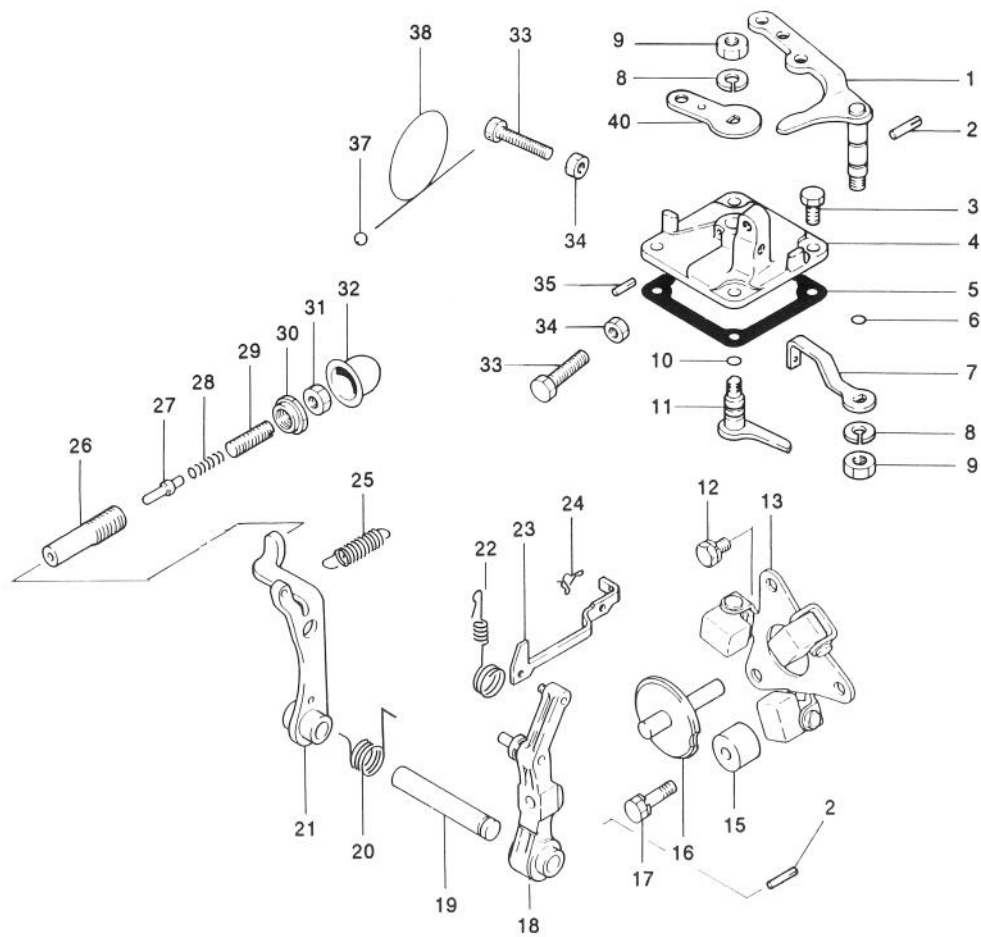
T-0570

FUEL INJECTION PUMP ASSEMBLY (Continued)

Ref. No.	Part No.	Description	No. Used
31	67-3840	Washer 1.3 mm	1
*	67-3850	Washer 1.35 mm	1
*	67-3860	Washer 1.4 mm	1
*	67-3870	Washer 1.45 mm	1
*	67-3880	Washer 1.5 mm	1
*	67-3890	Washer 1.55 mm	1
*	67-3900	Washer 1.6 mm	1

Ref. No.	Part No.	Description	No. Used
31	67-3910	Washer 1.65 mm	1
*	67-3920	Washer 1.7 mm	1
32	75-5000	Body	3
*	53-8150	Pump Assembly (Incl. Ref. 21-24)	1
*	67-3380	Nozzle and Holder Assembly (Incl. Ref. #25-32)	3

*Not Illustrated

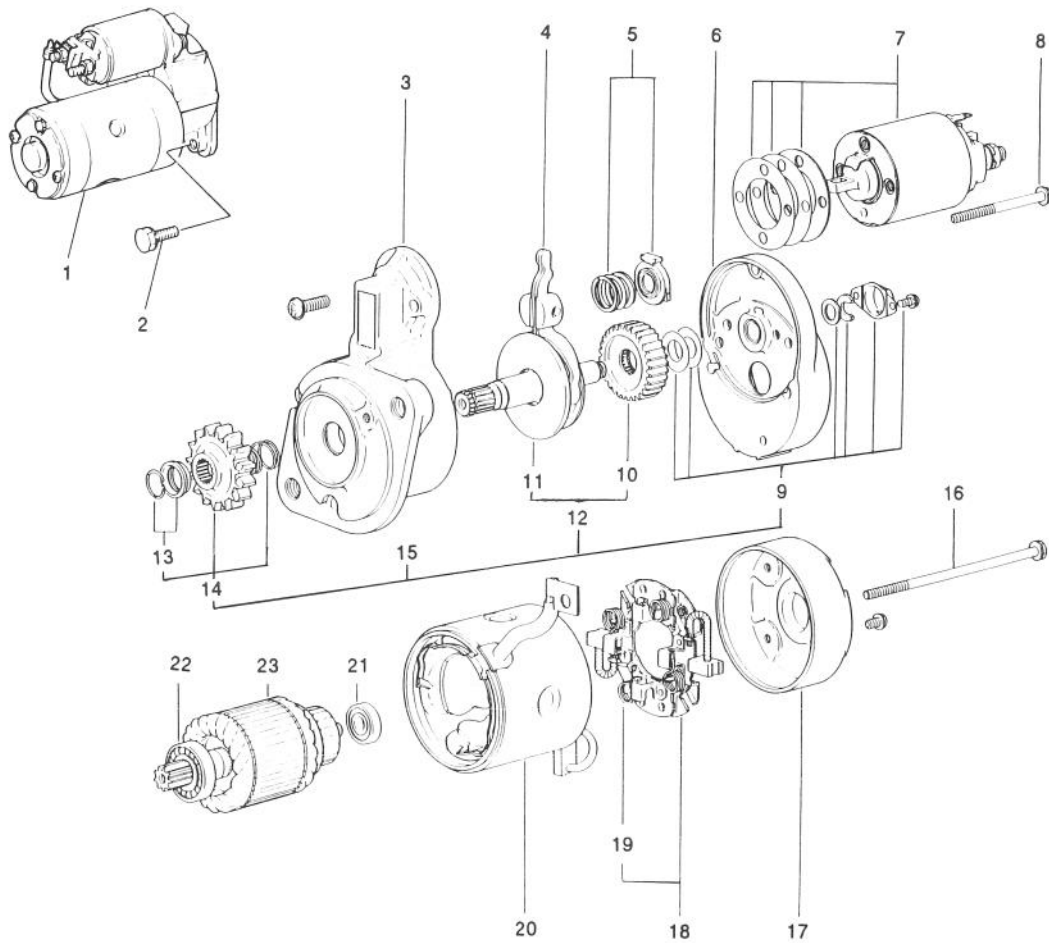


T-0571

GOVERNOR ASSEMBLY

Ref. No.	Part No.	Description	No. Used	Ref. No.	Part No.	Description	No. Used
1	67-3990	Lever - Speed Control	1	23	67-4030	Rod - Tie	1
2	67-4000	Pin	2	24	67-4080	Clip	1
3	67-4270	Bolt	4	25	75-4990	Spring - Governor	1
4	67-4130	Cover - Governor	1	26	67-4210	Case - Torque Spring	1
5	67-4160	Gasket	1	27	67-4230	Stopper	1
6	42-8830	Seal - O-Ring	1	28	67-4190	Spring - Torque	1
7	75-4980	Lever - Governor Spring	1	29	67-4220	Screw - Adjusting	1
8	67-3260	Washer	2	30	67-4200	Nut - Special	1
9	42-9640	Nut - Jam	2	31	67-4180	Nut	1
10	42-8830	Seal - O-Ring	1	32	43-2820	Cap - Sealing Torque Set	1
11	67-4140	Lever - Stop	1	33	42-9420	Bolt - Speed Set	4
12	42-9430	Bolt W/Washer	2	34	67-4290	Nut	4
13	67-4040	Weight Assembly	1	35	67-4120	Pin - Grooved	1
15	67-4010	Stopper	1	37	42-8690	Metal - Sealing	1
16	67-4070	Shaft - Sliding	1	38	42-8700	Wire	1
17	67-4280	Bolt W/Washer	1	40	67-4150	Lever - Stop	1
18	67-4060	Lever - Governor	1	*	67-4110	Cover Assembly (Incl. Ref. #4, 8-11, 35 & 40)	1
19	67-4050	Shaft - Governor	1	*	67-4170	Spring Set (Incl. Ref. #26-31)	1
20	67-5040	Spring	1				
21	67-4090	Lever - Tension	1				
22	70-8720	Spring - Tie Rod	1				

*Not Illustrated

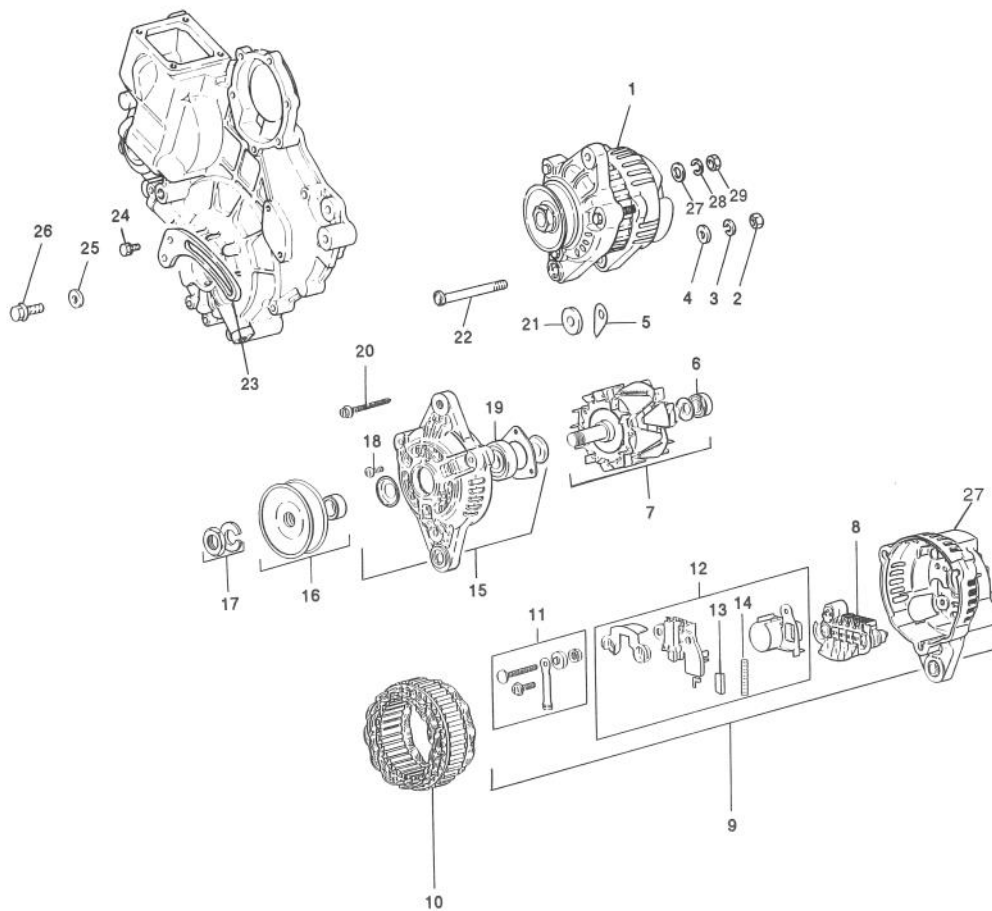


T-0572

STARTER ASSEMBLY

Ref. No.	Part No.	Description	No. Used
1	70-8760	Starter Assembly (Incl. Ref. #3-23)	1
2	67-4610	Bolt W/Washer	2
3	70-8770	Bracket - Front	1
4	67-4720	Lever	1
5	67-4730	Spring Set	1
6	70-8780	Bracket - Center	1
7	67-4750	Switch	1
8	56-1570	Bolt Set	1
9	56-1680	Cover Set	1
10	56-1670	Gear	1
11	67-4790	Shaft	1
12	67-4780	Gear Set (Incl. Ref. #10 & 11)	1
13	56-1640	Stopper Set	1

Ref. No.	Part No.	Description	No. Used
14	67-4770	Pinion Set (Incl. Ref. #13)	1
15	67-4760	Shaft Assembly (Incl. Ref. #9, 12 & 14)	1
16	56-1610	Bolt	1
17	56-1720	Bracket - Rear	1
18	56-1700	Holder - Brush (Incl. Ref. #19)	1
19	56-1710	Spring - Brush	4
20	67-4800	Yoke	1
21	56-1600	Bearing - Rear	1
22	56-1590	Bearing - Front	1
23	56-1580	Armature Set (Incl. Ref. #21 & 22)	1

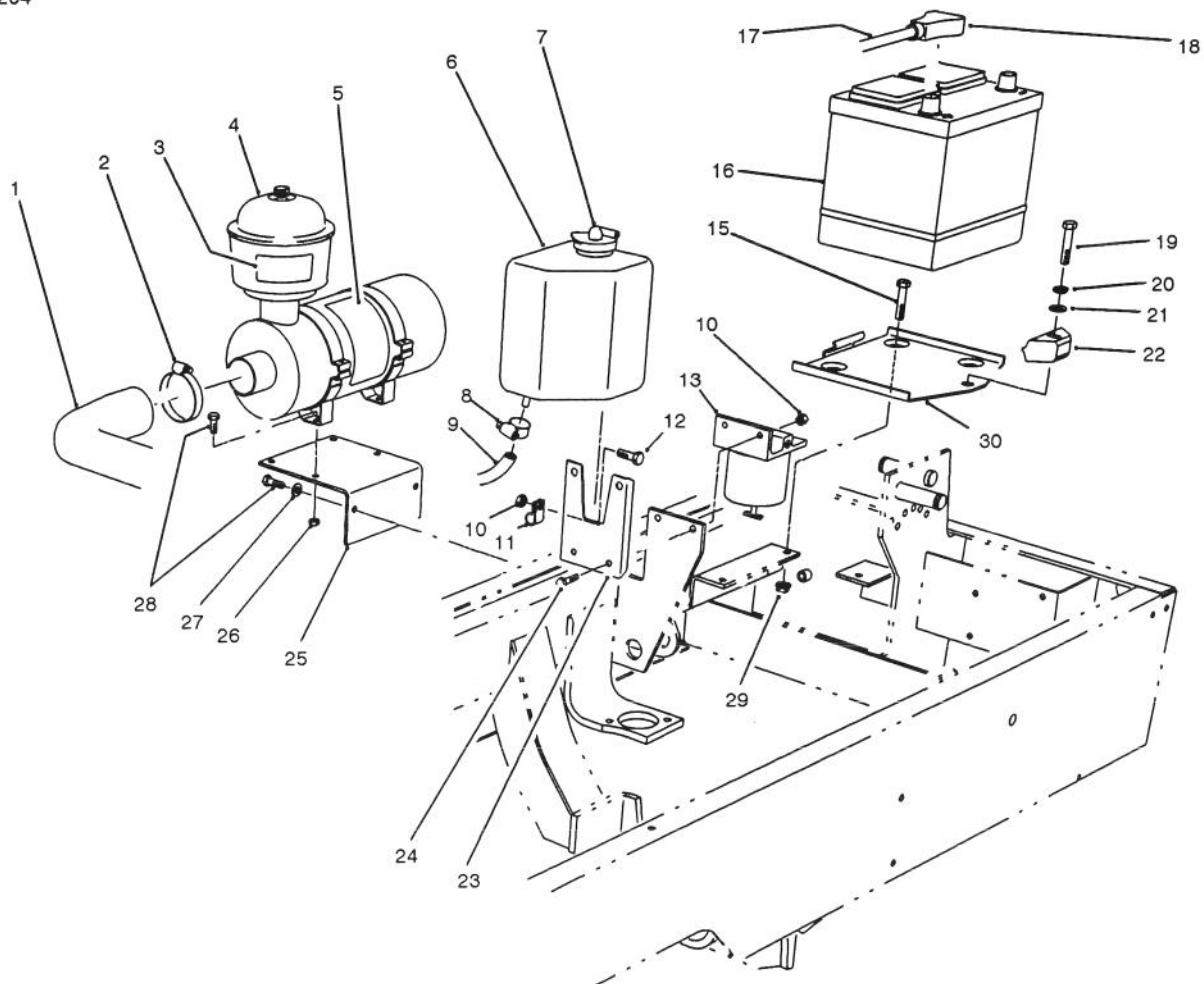


T-0573

ALTERNATOR ASSEMBLY

Ref. No.	Part No.	Description	No. Used
1	67-4630	Alternator Assembly (Incl. Ref. #6-17)	1
2	67-4670	Nut	1
3	67-3260	Washer	1
4	42-9660	Washer	1
5	43-0370	Shim	1
6	67-4870	Bearing - Rear	1
7	67-4860	Rotor Assembly (Incl. Ref. #6)	1
8	67-4930	Rectifier	1
9	67-4890	Rear Cover Assembly (Incl. Ref. #8, 11, 12 & 27)	1
10	67-4880	Stator	1
11	67-4900	Terminal Set	1
12	67-4910	Regulator Assembly (Incl. Ref. #13 & 14)	1

Ref. No.	Part No.	Description	No. Used
13	67-4920	Brush	2
14	43-0510	Spring - Brush	2
15	67-4830	Front Bracket Assembly (Incl. Ref. #18 & 19)	1
16	67-4810	Pulley Set	1
17	43-1920	Nut Set	1
18	67-4840	Screw Set	1
19	67-4850	Bearing - Front	1
20	67-4820	Bolt Set	1
21	67-4620	Spacer	1
22	67-4640	Bolt	1
23	75-4940	Brace - Alternator	1
24	42-9440	Bolt W/Washer	1
25	54-8660	Washer	1
26	67-4660	Bolt - Flange	1
27	72-6140	Cover - Rear	1

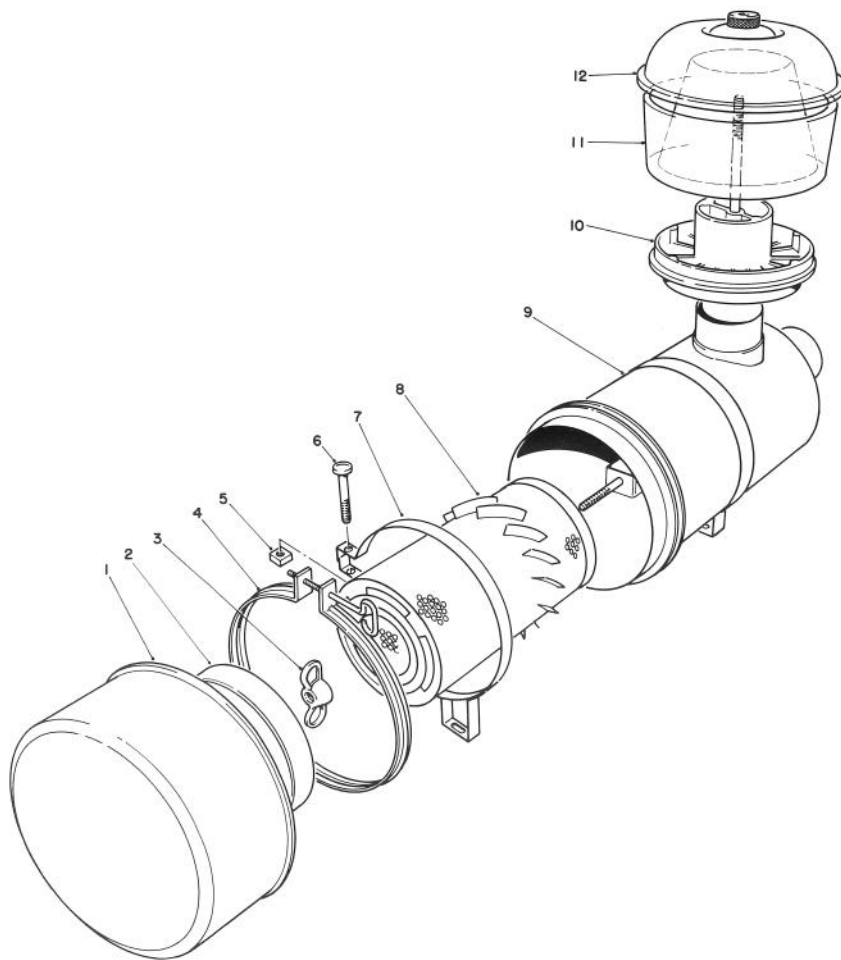


T-1056

ENGINE COMPONENTS ASSEMBLY

Ref. No.	Part No.	Description	No. Used	Ref. No.	Part No.	Description	No. Used
1	75-2460	Hose - Air Cleaner	1	16	13-6259	Battery (Type 26, 530 Amp.)	1
2	2412-42	Clamp - Hose	1	17	75-1370	Battery Cable Assy. (+) (Incl. Ref. #18)	1
‡3	67-1700	Decal - Starting Fluid (English)	1	18	28-1280	Boot - Cable	1
4	48-4220	Air Cleaner Assembly (Incl. Ref. #5)	1	19	323-9	Screw - Cap Hex. Hd.	1
5	27-7160	Decal - Instructions	1	20	3253-21	Washer - Lock	1
6	63-7380	Expansion Tank Assembly (Incl. Ref. #7)	1	21	3256-24	Washer - Flat	1
7	71-1520	Cap - Expansion Tank	1	22	66-2490	Clamp - Battery	1
8	2412-108	Clamp - Hose	1	23	75-4250	Bracket - Expansion Tank	1
9	75-2850	Hose - Expansion Tank	1	24	321-6	Screw - Cap Hex. Hd.	2
10	3296-42	Nut - Lock	3	25	75-3140	Bracket - Air Cleaner	1
11	2412-93	Clamp - R	1	26	3296-29	Nut - Lock	4
12	321-2	Screw - Cap Hex. Hd.	1	27	3256-23	Washer - Flat	2
13	63-7650	Fuel Filter Assembly	1	28	322-3	Screw - Cap Hex. Hd.	6
15	322-4	Screw - Cap Hex. Hd.	3	29	32128-25	Nut - Lock	3
				30	66-2330	Base - Battery	1

‡For different language versions of this part, see International Decal Cross Reference.



T-0126

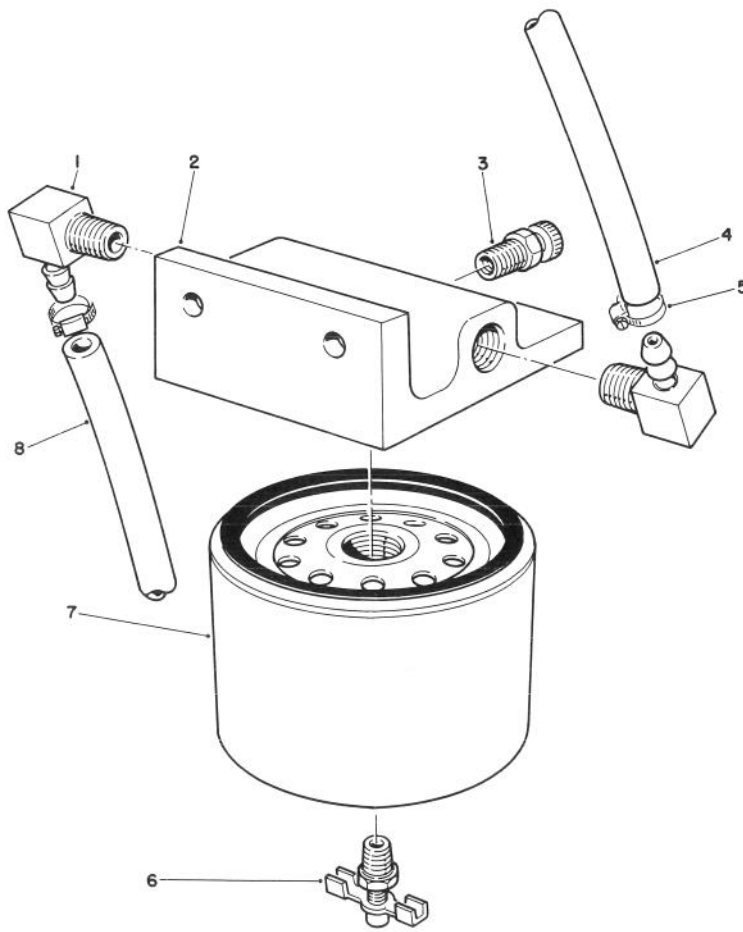
AIR CLEANER ASSEMBLY

Ref. No.	Part No.	Description	No. Used
1	27-7150	Cup Assembly	1
2	27-7140	Baffle	1
3	27-7120	Nut	1
4	27-7130	Clamp Assembly	1
5	32107-11	Nut-Square	2
6	3258-19	Screw-Machine	2
7	27-7170	Band Assembly (Incl. Ref. #5 & 6)	2
8	27-7110	Element Assembly	1

Ref. No.	Part No.	Description	No. Used
9†		Housing	1
10	62-6300	Sleeve Assembly	1
11	33-1270	Bowl	1
12	33-1260	Cover Assembly	1
*	48-7430	Pre-Cleaner Assembly (Incl. Ref. #10-12)	1
*	48-4220	Air Filter Assembly (Incl. Ref. #1-4, 8-9)	1
*	27-7220	Air Cleaner Soap	1

*Not Illustrated

†Not Serviceable Separately

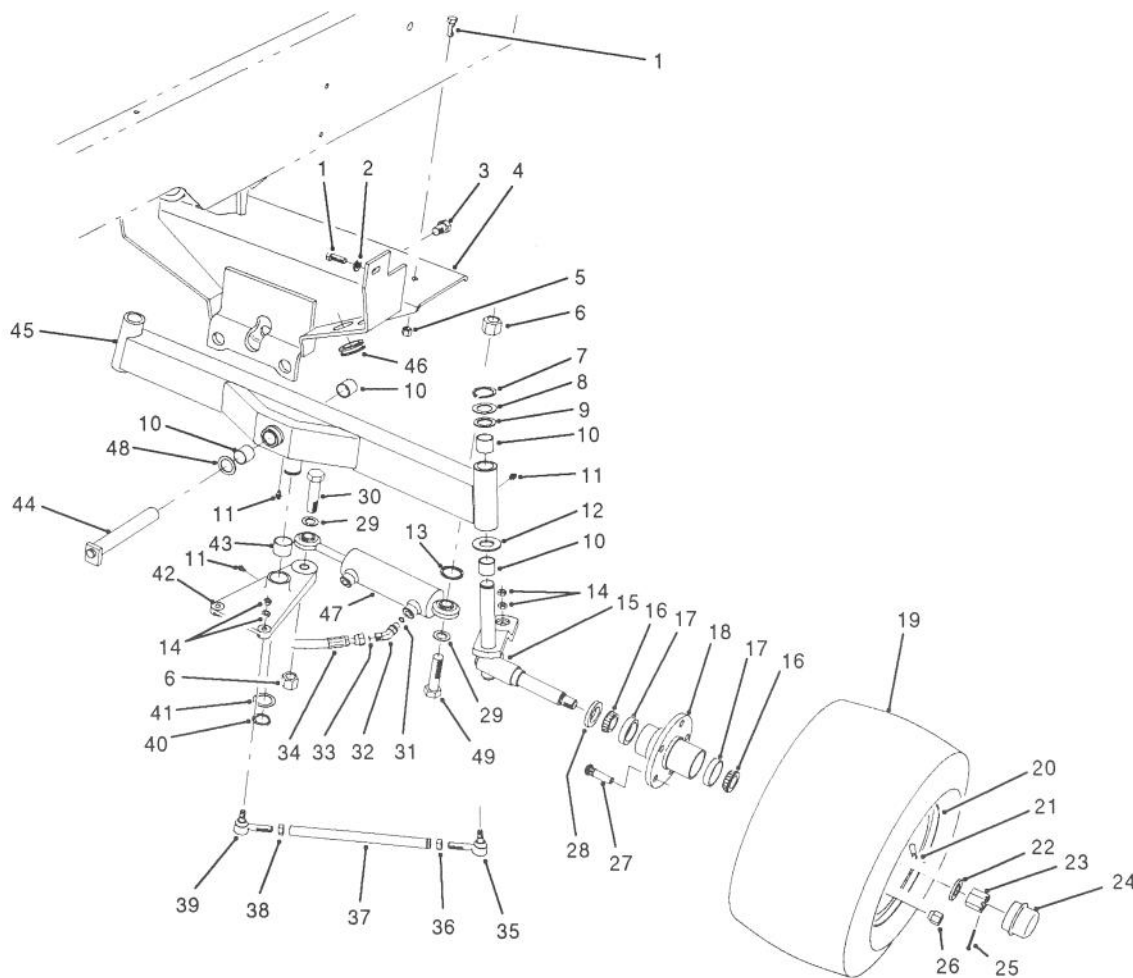


T-1030

FUEL FILTER ASSEMBLY

Ref. No.	Part No.	Description	No. Used	Ref. No.	Part No.	Description	No. Used
1	353-781	Fitting-Elbow	2	7	63-8300	Element-Spin-On (Incl. Ref. #6)	1
2	63-8280	Head-Filter, Fuel (Incl. Ref. #3)	1	8	63-7610	Hose-Fuel	1
3	63-8290	Vent-Air	1	*	63-7650	Fuel Filter Assembly (Incl. Ref. #2, 3 & 6-7)	1
4	63-7620	Hose-Fuel	1				
5	2412-108	Clamp-Hose	2				
6	63-8310	Valve-Drain	1				

*Not Illustrated



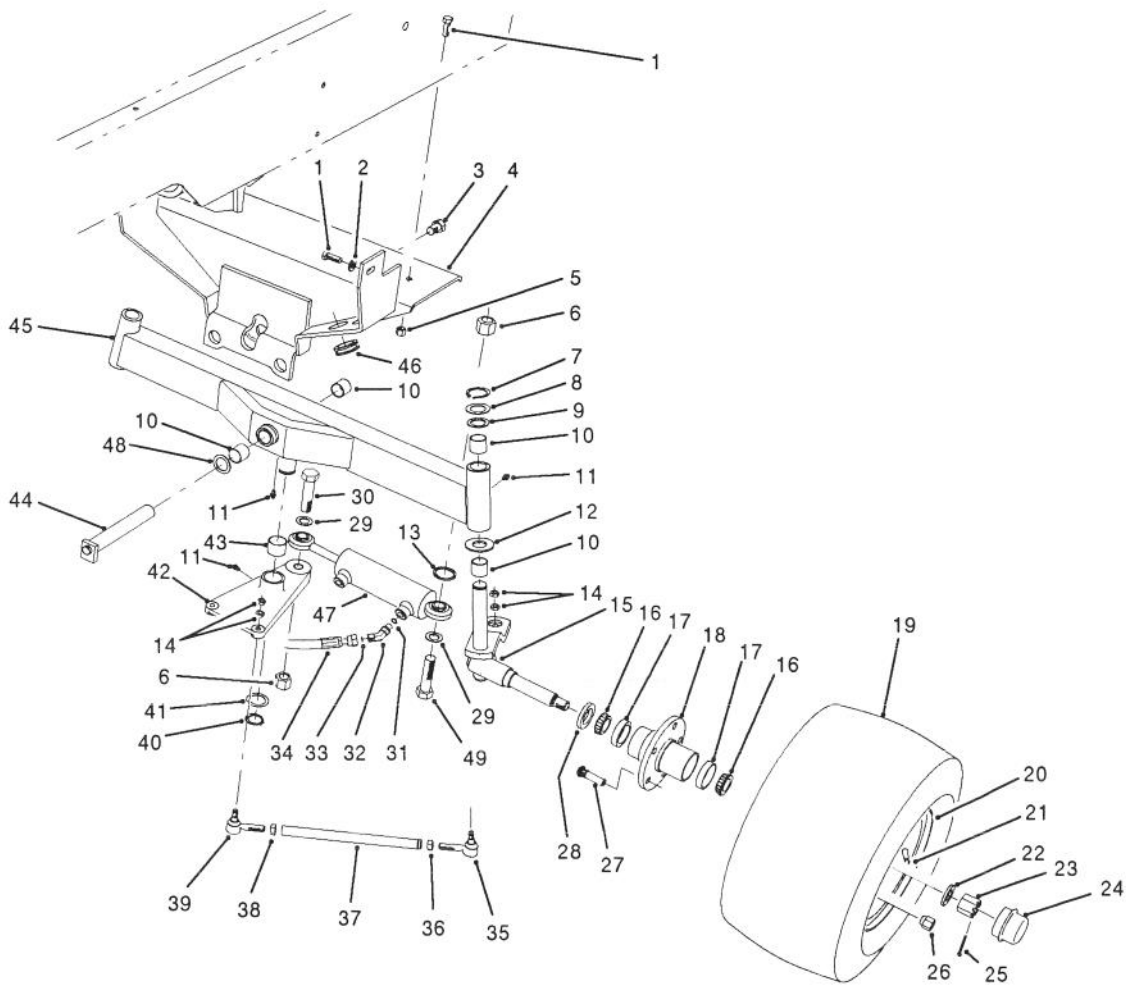
T-1057

REAR AXLE ASSEMBLY

Ref. No.	Part No.	Description	No. Used
1	323-6	Screw - Cap Hex. Hd.	4
2	3256-24	Washer - Flat	2
3	327-2	Screw - Cap Hex. Hd.	1
4	75-1100	Support - Rear Axle	1
5	3296-39	Nut - Lock	2
6	32153-6	Nut - Lock	2
7	32151-36	Ring - Retaining	2
8	5-1226	Washer - Shim	A/R
9	10-8110	Washer - Thrust	2
10	67-1751	Bushing - Sleeve	6
11	302-5	Fitting - Grease	4
12	256-121	Washer - Thrust	2
13	67-7250	Spacer - Cylinder	1
14	3220-3	Nut - Jam	8
15	75-4440	Spindle - Rear L.H.	1
*	75-4420	Spindle - Rear R.H.	1
16	254-94	Cone - Bearing	4
17	254-72	Cup - Bearing	4
18	21-2820	Hub - Rear Wheel	2
19	231-141	Tire	2
20	217-121	Rim	2
21	232-35	Stem - Valve	2
22	3256-28	Washer - Flat	2

Ref. No.	Part No.	Description	No. Used
23	32136-5	Nut - Slotted	2
24	241-119	Cap - Dust	2
25	3272-13	Pin - Cotter	2
26	242-50	Nut - Lug	10
27	10-6830	Stud - Drive	10
28	253-129	Seal - Grease	2
29	67-9410	Washer - Thrust	2
30	328-25	Screw - Cap Hex. Hd.	1
31	237-78	Seal - O-Ring	2
32	340-103	Fitting - Hydraulic 45° (Incl. Ref. #31 & 33)	2
33	237-21	Seal - O-Ring	2
34	75-6220	Hose - Hydraulic (Cap End)	1
*	75-6230	Hose - Hydraulic (Rod End)	1
35	21-0140	Joint - Ball	2
36	3220-5	Nut - Jam	2
37	75-3130	Rod - Tie	2
38	3220-12	Nut - Jam L.H. Thread	2
39	21-0150	Joint - Ball L.H. Thread	2
40	32151-77	Ring - Retaining	1
41	76-2980	Washer - Thrust	1

*Not Illustrated

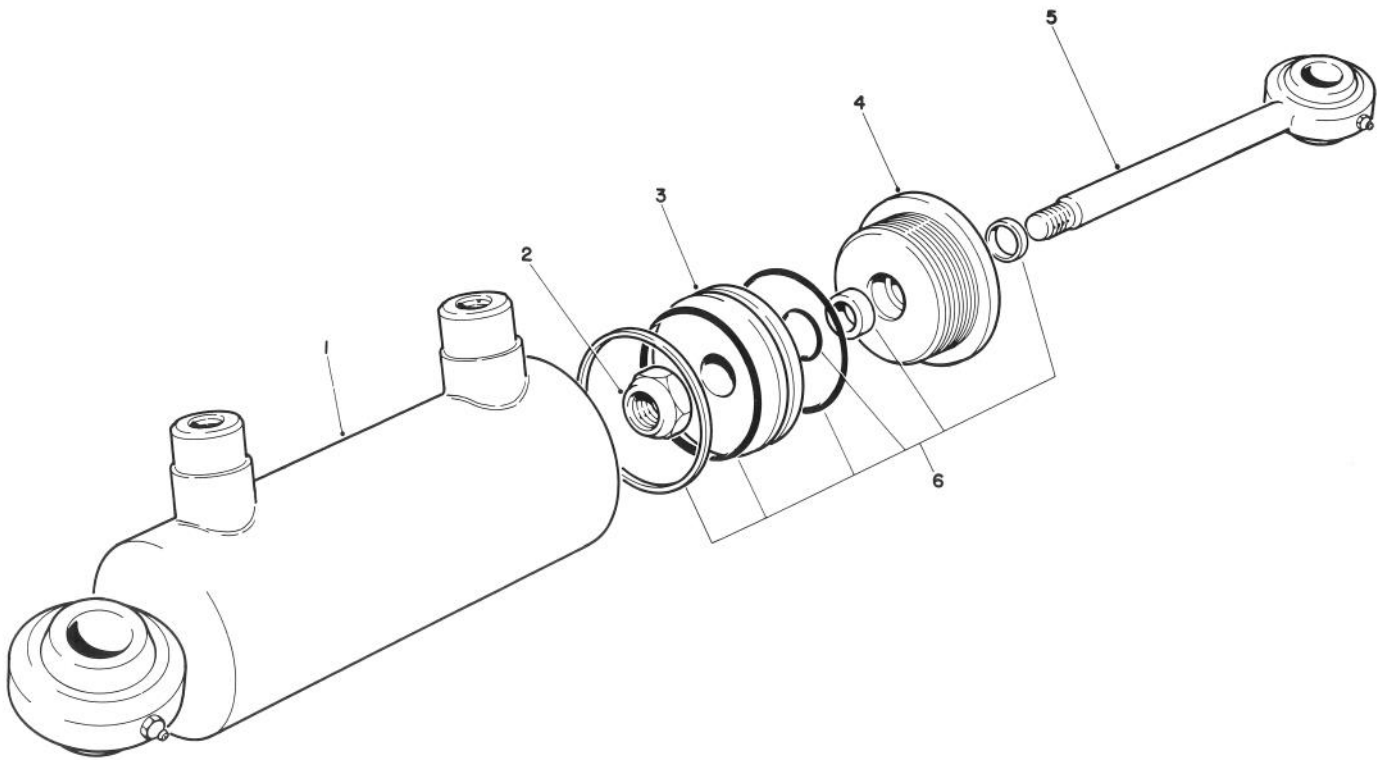


T-1057

REAR AXLE ASSEMBLY (Continued)

Ref. No.	Part No.	Description	No. Used
42	75-4410	Pivot Plate Assembly (Incl. Ref. #11 & 43)	1
43	76-2970	Bushing - Sleeve	2
44	75-4180	Pin - Rear Axle Pivot	1
45	75-2900	Rear Axle Assembly (Incl. Ref. #10 & 11)	1

Ref. No.	Part No.	Description	No. Used
46	237-165	Grommet	2
47	75-1200	Hydraulic Cylinder Assembly	1
48	5-1226	Washer - Thrust	2
49	328-27	Screw - Cap Hex. Hd.	1



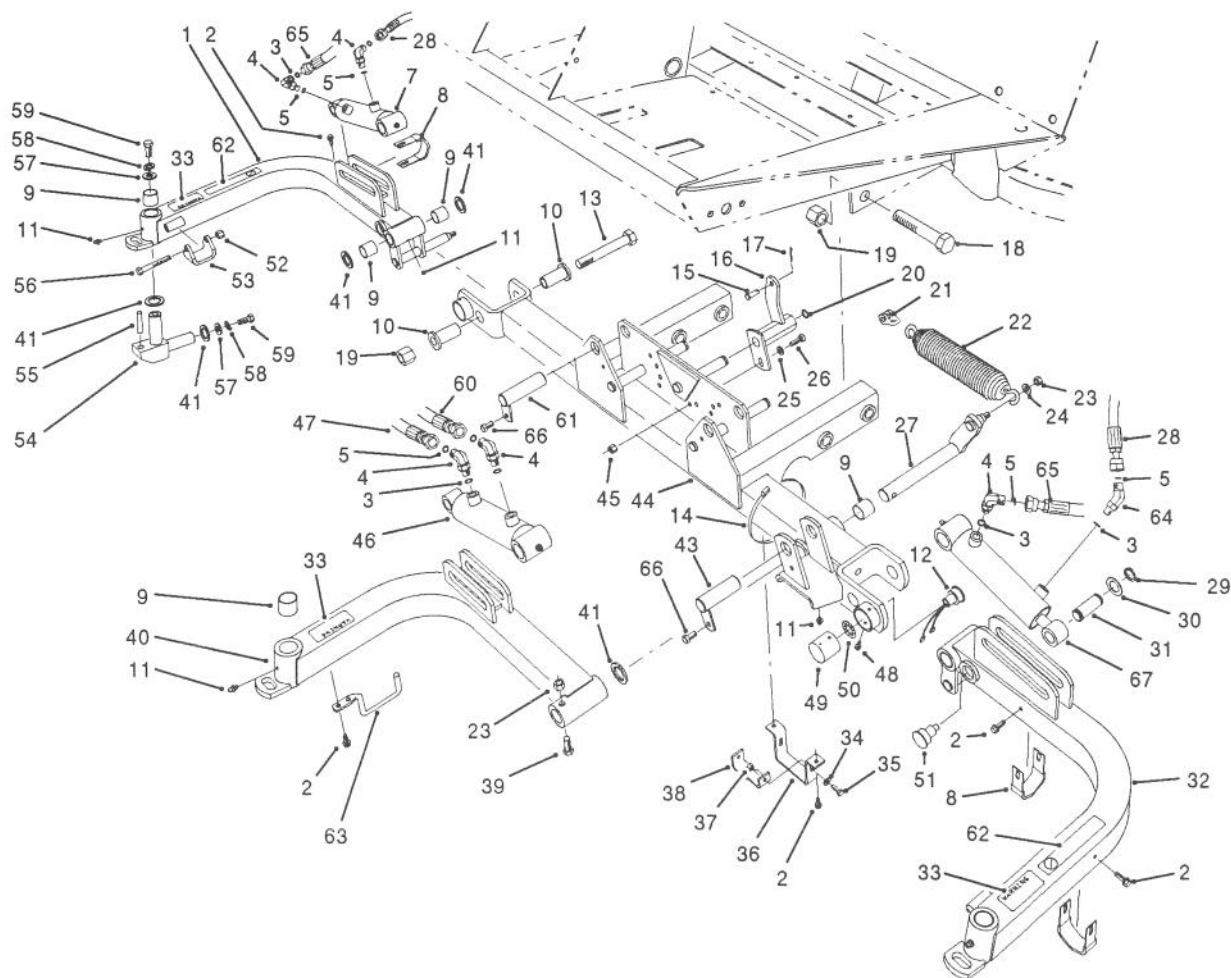
T-0996

HYDRAULIC CYLINDER NO. 75-1200

Ref. No.	Part No.	Description	No. Used
†1		Barrel Assembly	1
2	75-1210	Nut-Lock	1
3	75-1220	Piston	1

Ref. No.	Part No.	Description	No. Used
4	75-1260	Head-Internal	1
5	75-1230	Piston Rod Assembly	1
6	75-1250	Seal Kit	1

†Not Serviced Separately



T-1059

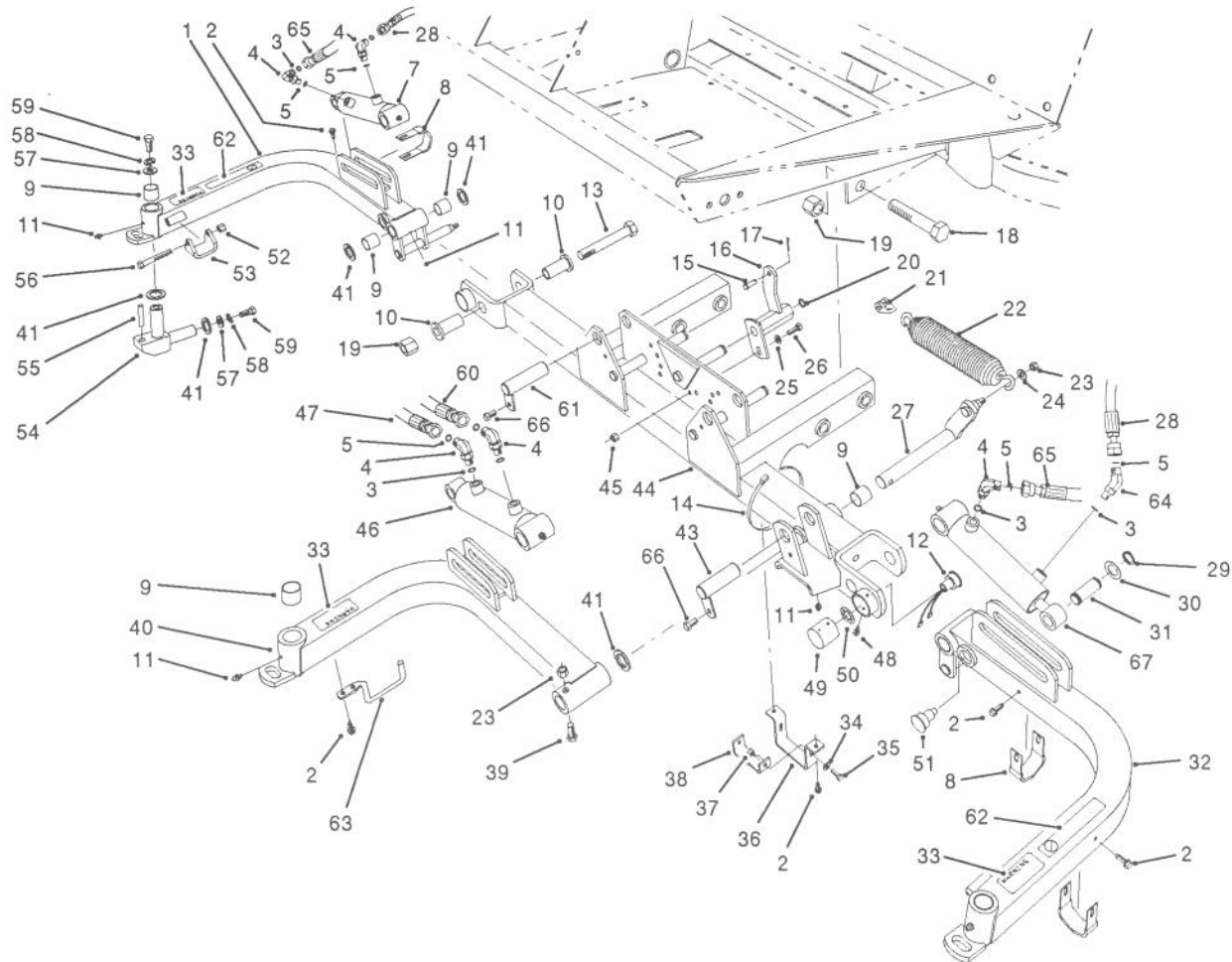
FRONT LIFT ARMS ASSEMBLY

Ref. No.	Part No.	Description	No. Used
1	75-5450	Lift Arm Assembly R.H. (Incl. Ref. #9 & 11)	1
2	49-2040	Screw - Thread Forming	10
3	237-78	Seal - O-Ring	6
4	340-132	Fitting - Hydraulic 90° (Incl. Ref. #3 & 5)	5
5	237-21	Seal - O-Ring	6
6	75-5880	Hose - Hydraulic	1
7	83-7480	Hydraulic Cylinder Assembly	1
8	75-5330	Clamp - Hose	3
9	67-1750	Bushing - Sleeve	12
10	84-8320	Insert - Hinge	4
11	302-5	Fitting - Grease	6
12	75-6300	Sensor - Reed Switch	1
13	328-12	Screw - Cap Hex. Hd.	2
14	3290-379	Tie - Cable	3
15	283-6	Pin - Clevis	3
16	75-5210	Bracket - Spring Center	1
*	75-5200	Bracket - Spring R.H.	1
*	75-5220	Bracket - Spring L.H.	1
17	3272-10	Pin - Cotter	3
18	328-7	Screw - Cap Hex. Hd.	4
19	3296-51	Nut - Lock	6

Ref. No.	Part No.	Description	No. Used
20	32151-48	Ring - Retaining	3
21	282-4	Clevis - Spring	3
22	5-0743	Spring - Extension	3
23	3296-44	Nut - Lock	4
24	3256-24	Washer - Flat	3
25	3256-23	Washer - Flat	3
26	322-5	Screw - Cap Hex. Hd.	3
27	75-4550	Shaft - Center Arm Pivot	1
28	75-5890	Hose - Hydraulic	2
29	32120-93	Ring - Retaining	6
30	3-6498	Washer - Thrust	6
31	75-5350	Pin - Cylinder Rod End	3
32	75-5460	Lift Arm Assembly L.H. (Incl. Ref. #9 & 11)	1
‡33	55-4300	Decal - Warning (English)	3
34	3256-22	Washer - Flat	2
35	321-4	Screw - Cap Hex. Hd.	2
36	75-5370	Mount - Clamp	1
37	3296-42	Nut - Lock	2
38	75-5380	Bracket - Clamp	1
39	323-10	Screw - Cap Hex. Hd.	1
40	75-5420	Lift Arm Assembly Center (Incl. Ref. #9 & 11)	1

*Not Illustrated

‡For different language versions of this part, see International Decal Cross Reference.

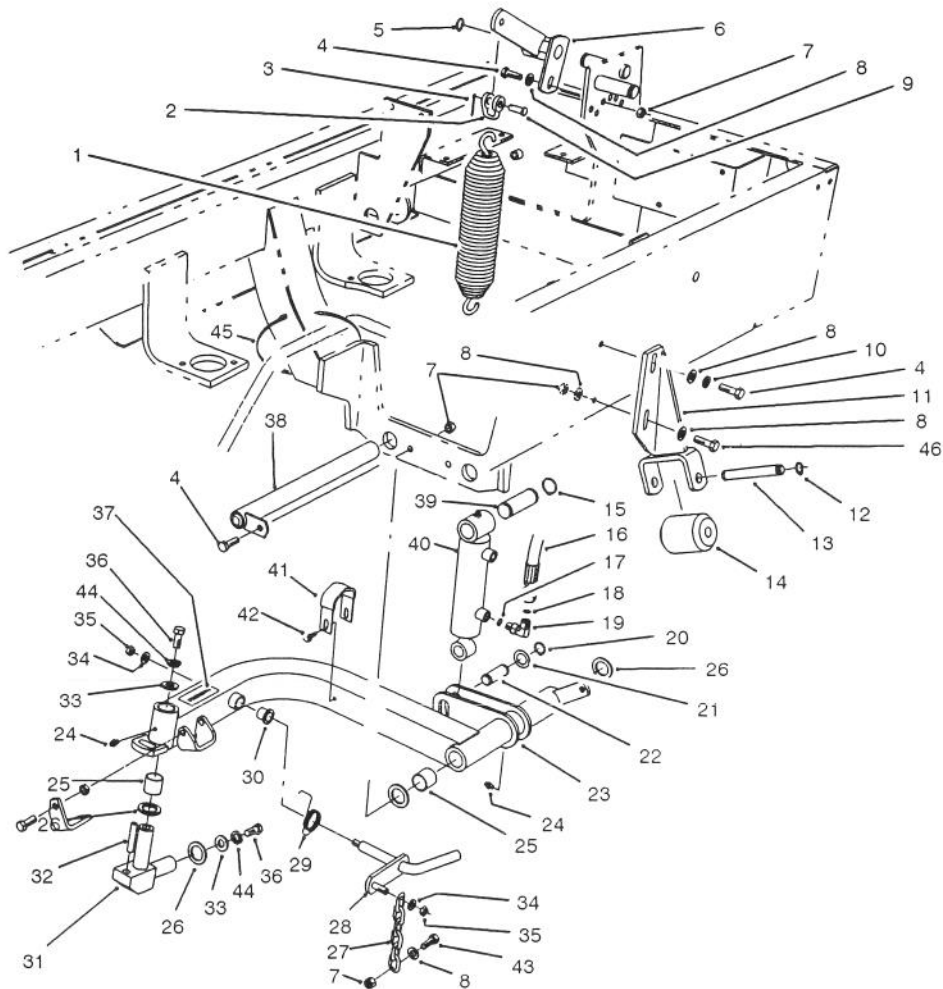


T-1059

FRONT LIFT ARMS ASSEMBLY (Continued)

Ref. No.	Part No.	Description	No. Used	Ref. No.	Part No.	Description	No. Used
41	256-115	Washer - Thrust	11	55	32121-122	Pin - Roll	3
42	32151-36	Ring - Retaining	6	56	323-12	Screw - Cap Hex. Hd.	2
43	83-6790	Pin - Cylinder (Short)	1	57	3256-6	Washer - Flat	6
44	75-3040	Carrier Frame Assembly (Incl. Ref. #9 & 11)	1	58	3253-7	Washer - Lock	6
45	3296-29	Nut - Lock	3	59	325-4	Screw - Cap Hex. Hd.	6
46	85-9880	Hydraulic Cylinder Assembly	1	60	75-5910	Hose - Hydraulic	1
47	75-5900	Hose - Hydraulic	1	61	83-6780	Pin - Cylinder (Long)	2
48	32104-76	Screw - Thread Forming	2	‡62	36-3400	Decal - No Step (English)	2
49	75-6370	Cover - Sensor	1	63	75-5300	Rod - Hose Support	1
50	32151-94	Ring - Retaining	1	64	340-103	Fitting - Hydraulic 45° (Incl. Ref. #3 & 4)	1
51	75-6310	Magnet - Reed Switch	1	65	82-6490	Hose - Hydraulic	1
52	3296-39	Nut - Lock	2	66	32144-14	Screw - Self Tapping	3
53	75-5410	Bracket - Arm	2	67	83-7490	Hydraulic Cylinder Assy.	1
54	75-3010	Joint - Arm	3				

‡For different language versions of this part, see International Decal Cross Reference.



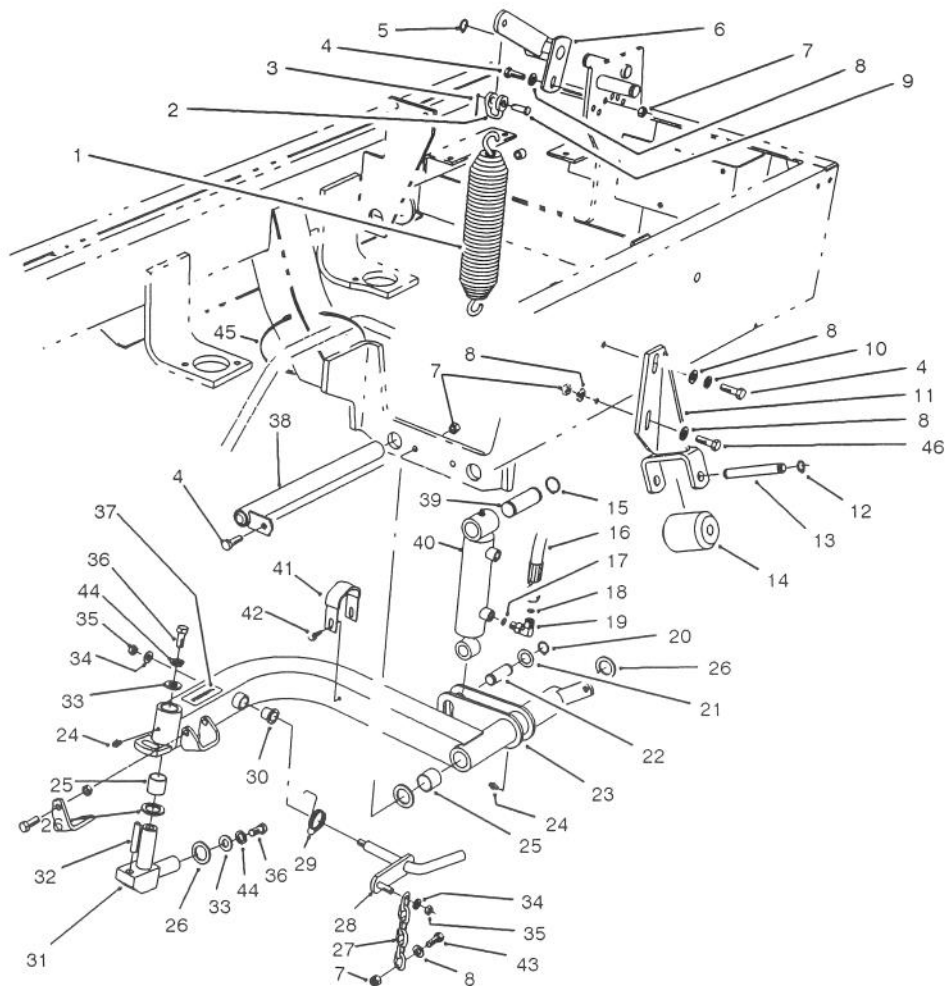
T-1060

REAR LIFT ARMS ASSEMBLY

Ref. No.	Part No.	Description	No. Used	Ref. No.	Part No.	Description	No. Used
1	5-0743	Spring - Counterbalance	2	20	32120-93	Ring - Retaining	4
2	282-4	Clevis - Spring	2	21	3-6498	Washer - Thrust	4
3	3272-10	Pin - Cotter	2	22	75-5350	Pin - Cylinder Rod End	2
4	322-5	Screw - Cap Hex. Hd.	6	23	75-5440	Lift Arm Assy. Rear R.H. (Incl. Ref. #24, 25 & 30)	1
5	32151-48	Ring - Retaining	2	*	75-5430	Lift Arm Assy. Rear L.H. (Incl. Ref. #24, 25 & 30)	1
6	75-4690	Bracket - Spring Rear R.H.	1	24	302-5	Fitting - Grease	4
*	75-4650	Bracket - Spring Rear L.H.	1	25	67-1750	Bushing - Sleeve	8
7	3296-29	Nut - Lock	6	26	256-115	Washer - Thrust	6
8	3256-23	Washer - Flat	10	27	5-1096	Chain - Cutting Unit	2
9	283-6	Pin - Clevis	2	28	75-4590	Rod - Pivot	2
10	3253-4	Washer - Lock	2	29	75-4520	Spring - Torsion R.H.	1
11	75-3810	Bracket - Roller	2	*	75-4530	Spring - Torsion L.H.	1
12	32151-61	Ring - Retaining	4	30	256-287	Bushing - Flange	4
13	75-5400	Shaft - Roller	2	31	75-3010	Joint - Arm	2
14	75-5390	Roller	2	32	32121-122	Pin - Roll	2
15	32151-36	Ring - Retaining	4	33	3256-6	Washer - Flat	4
16	75-6180	Hose - Hydraulic R.H.	2	34	3256-24	Washer - Flat	4
*	75-6070	Hose - Hydraulic L.H. (Cap)	1	35	3296-39	Nut - Lock	4
*	75-6080	Hose - Hydraulic L.H. (Rod)	1	36	325-4	Screw - Cap Hex. Hd.	4
17	237-78	Seal - O-Ring	4	‡37	55-4300	Decal - Warning (English)	2
18	237-21	Seal - O-Ring	4	38	75-3750	Pin - Pivot	2
19	340-132	Fitting - Hydraulic 90° (Incl. Ref. #17 & 18)	4				

*Not Illustrated

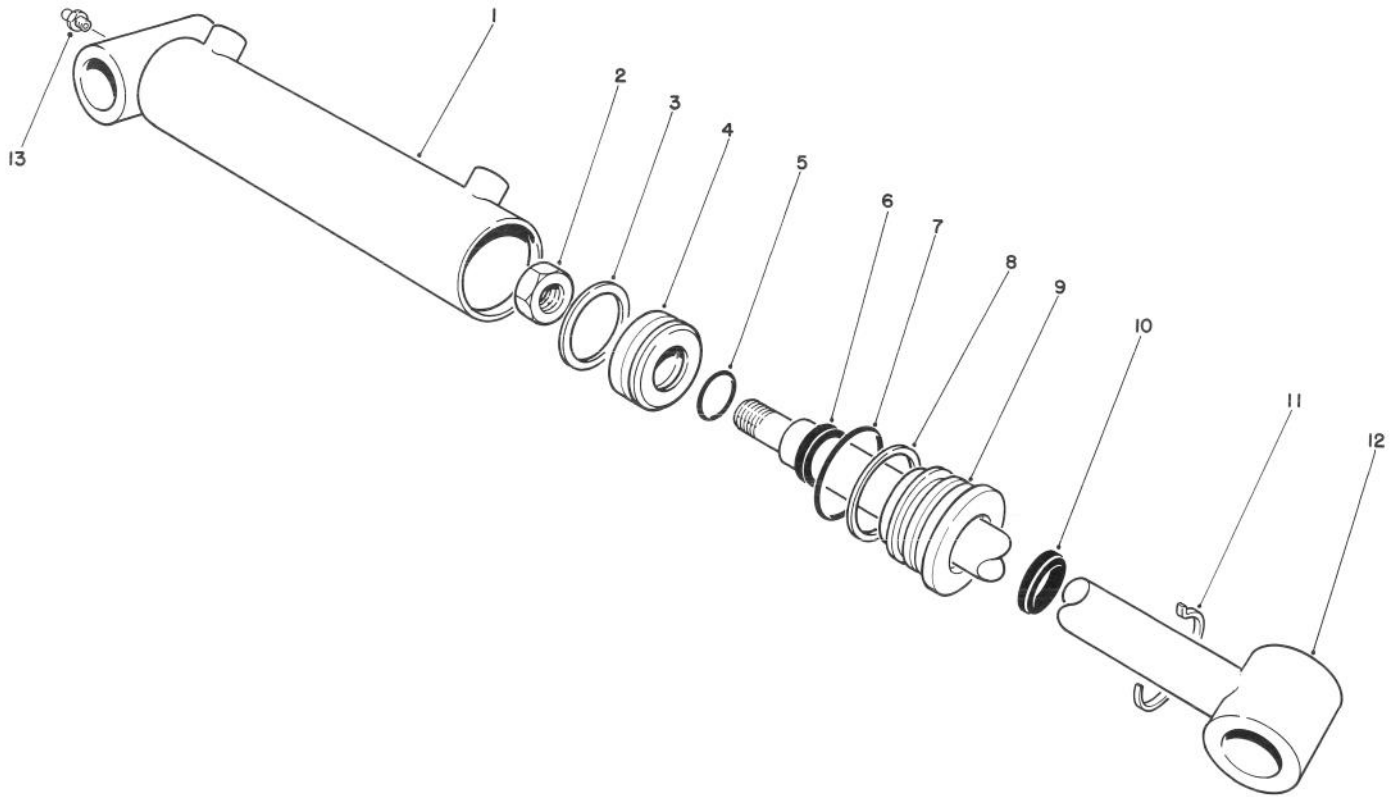
‡For different language versions of this part, see International Decal Cross Reference.



T-1060

REAR LIFT ARMS ASSEMBLY (Continued)

Ref. No.	Part No.	Description	No. Used	Ref. No.	Part No.	Description	No. Used
39	75-5360	Pin - Cylinder Cap End	2	43	322-12	Screw - Cap Hex. Hd.	2
40	85-9880	Hydraulic Cylinder Assy.	2	44	3253-7	Washer - Lock	4
41	49-2040	Screw - Thread Forming	4	45	3290-379	Tie - Cable	1
42	75-5330	Clamp - Hydraulic Line	2	46	322-6	Screw - Cap Hex.	2



T-1032

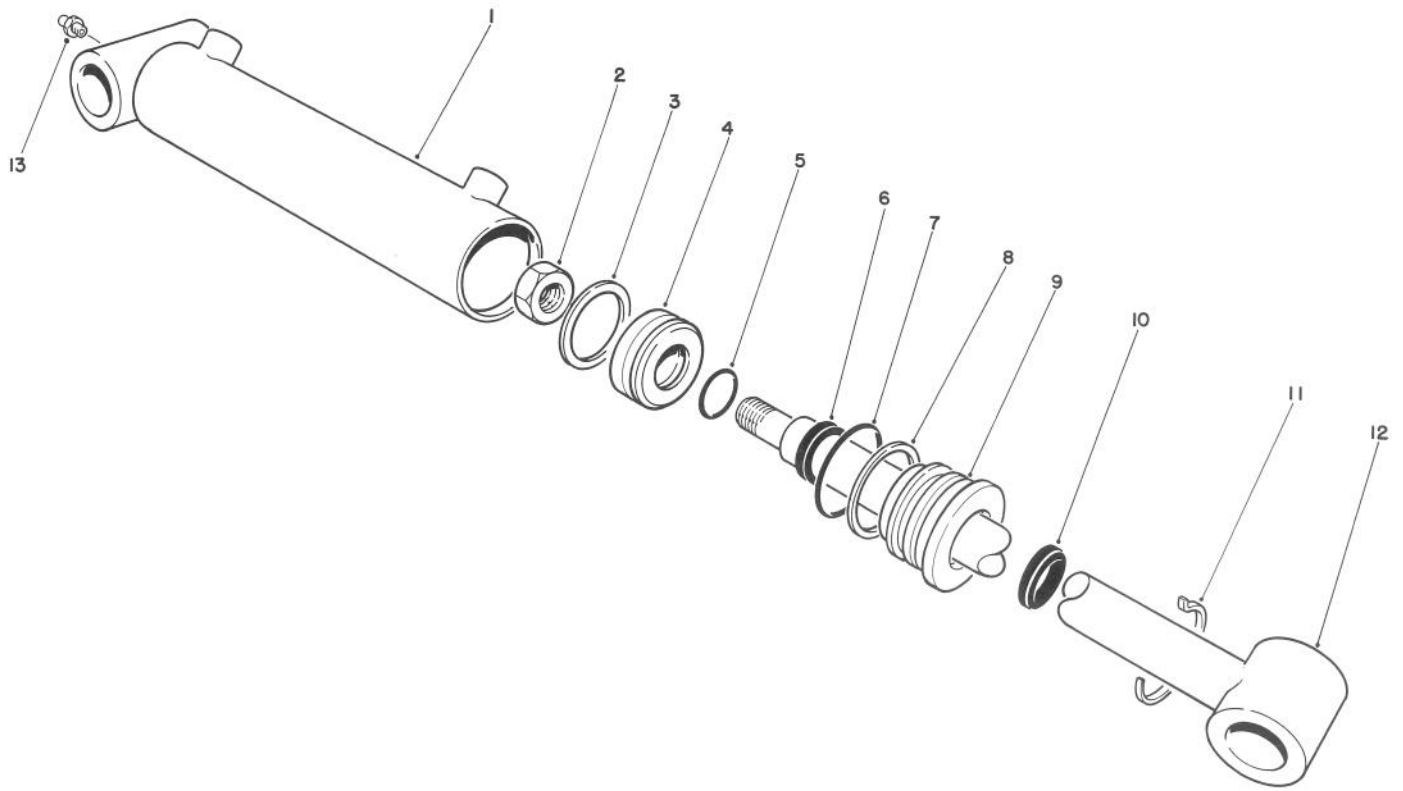
HYDRAULIC CYLINDER NO. 85-9880

Ref. No.	Part No.	Description	No. Used
†1		Barrel W.A.	1
2	32152-10	Nut	1
†3		Uni-ring	1
4	70-2780	Piston	1
†5		Seal - O-Ring	1
†6		Seal-Rod	1
†7		Seal - O-Ring	1
†8		Backup	1

Ref. No.	Part No.	Description	No. Used
9	84-1670	Head	1
†10		Seal-Dust	1
11	84-1680	Ring-Retaining	1
12	75-3790	Clevis W.A.	1
13	302-5	Fitting - Grease	1
*	86-7330	Seal repair Kit (Incl. Ref. #3, 5-8 & 10)	1

*Not Illustrated

†Not Serviced Separately



T-1032

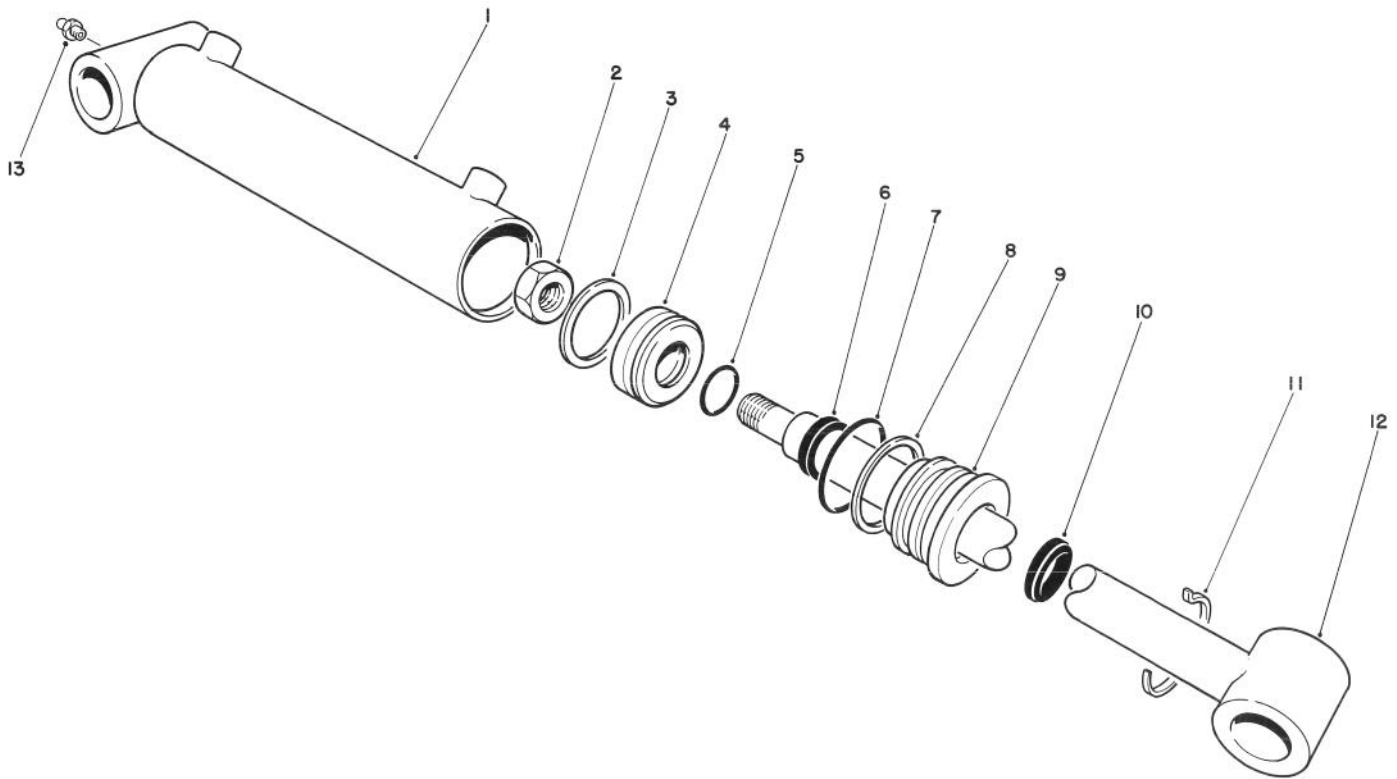
HYDRAULIC CYLINDER NO. 83-7480

Ref. No.	Part No.	Description	No. Used
†1		Barrel W.A.	1
2	32152-10	Nut	1
†3		Uni-ring	1
4	84-1710	Piston	1
†5		O-Ring	1
†6		Seal-Rod	1
†7		O-Ring	1
†8		Backup	1

Ref. No.	Part No.	Description	No. Used
9	84-1720	Head	1
†10		Seal-Dust	1
11	84-1730	Ring-Retaining	1
12	84-1740	Clevis W.A.	1
13	302-5	Fitting - Grease	1
*	84-1760	Seal repair Kit (Incl. Ref. #3, 5-8 & 10)	1

*Not Illustrated

†Not Serviced Separately



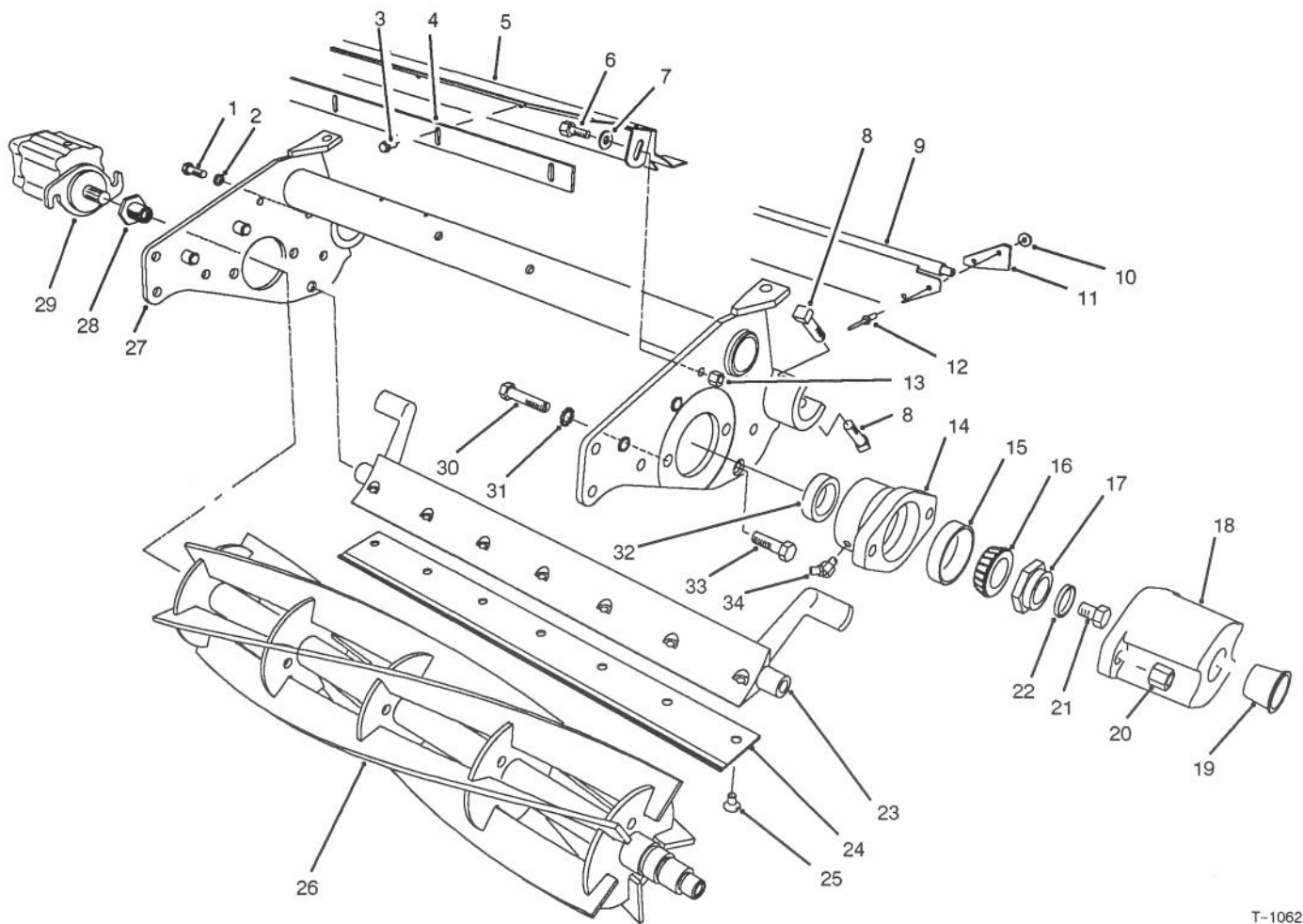
T-1032

HYDRAULIC CYLINDER NO. 83-7490

Ref. No.	Part No.	Description	No. Used
†1		Barrel W.A.	1
2	32152-10	Nut	1
†3		Uni-ring	1
4	70-2780	Piston	1
†5		O-Ring	1
†6		Seal-Rod	1
†7		O-Ring	1
†8		Backup	1

Ref. No.	Part No.	Description	No. Used
9	84-1670	Head	1
†10		Seal-Dust	1
11	84-1680	Ring-Retaining	1
12	75-2120	Clevis W.A.	1
13	302-5	Fitting - Grease	1
*	86-7330	Seal Repair Kit (Incl. Ref. #3, 5-8 & 10)	1

*Not Illustrated
†Not Serviced Separately



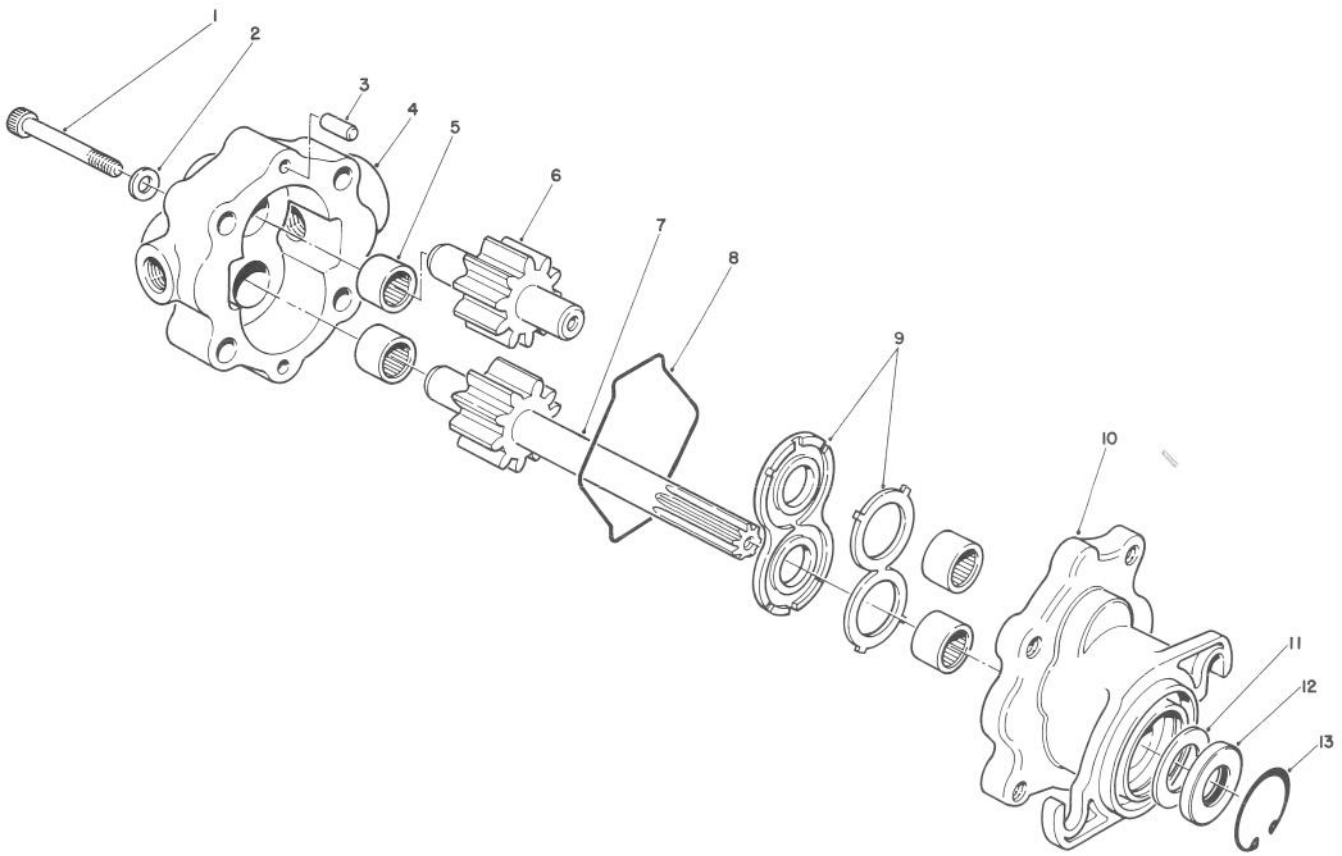
T-1062

REEL ASSEMBLY (5 & 8 Blade Cutting Units)

Ref. No.	Part No.	Description	No. Used
1	322-5	Screw - Cap Hex. Hd.	1
2	3253-4	Washer - Lock	1
3	32144-73	Screw - Self Tapping	5
4	36-7260	Bar - Cutoff	1
5	75-1840	Shield - Grass	1
6	321-4	Screw - Cap Hex. Hd.	2
7	3256-1	Washer - Flat	2
8	3243-13	Screw - Sq. Hd. Set	4
9	75-1560	Deflector - Rear	1
10	3256-49	Washer - Flat	4
11	75-1720	Flap - Rear Shield	2
12	3290-409	Rivet - Pop	4
13	3296-42	Nut - Lock	2
14	10-5120	Housing - Bearing	2
15	254-72	Cup - Bearing	2
16	254-94	Cone - Bearing	2
17	3296-60	Nut - Reel	1
18	10-5080	Cap - End	1
19	12-0460	Plug - Hole	1

Ref. No.	Part No.	Description	No. Used
20	3296-39	Nut - Lock L.H.	2
*	32128-36	Nut - Flange Lock R.H.	2
21	323-2	Screw - Cap Hex. Hd. L.H.	1
22	253-61	Seal - Oil	1
23	10-4930	Bedbar	1
24	63-8610	Bedknife	1
25	57-4910	Screw - Bedknife	7
26	14-0659	Reel - 5 Blade	1
*	14-0649	Reel - 8 Blade	1
27	75-6660	Frame - Cutting Unit	1
28	77-0340	Screw - Spline	1
29	75-1400	Reel Motor Assembly	1
30	57-3210	Screw - Special	4
31	3255-9	Washer - E.T.L.W.	4
32	253-96	Seal - Oil	2
33	217-74	Bolt - Bedbar	2
34	302-60	Fitting - Grease L.H. 90°	1
*	302-11	Fitting - Grease R.H. 45°	1

*Not Illustrated



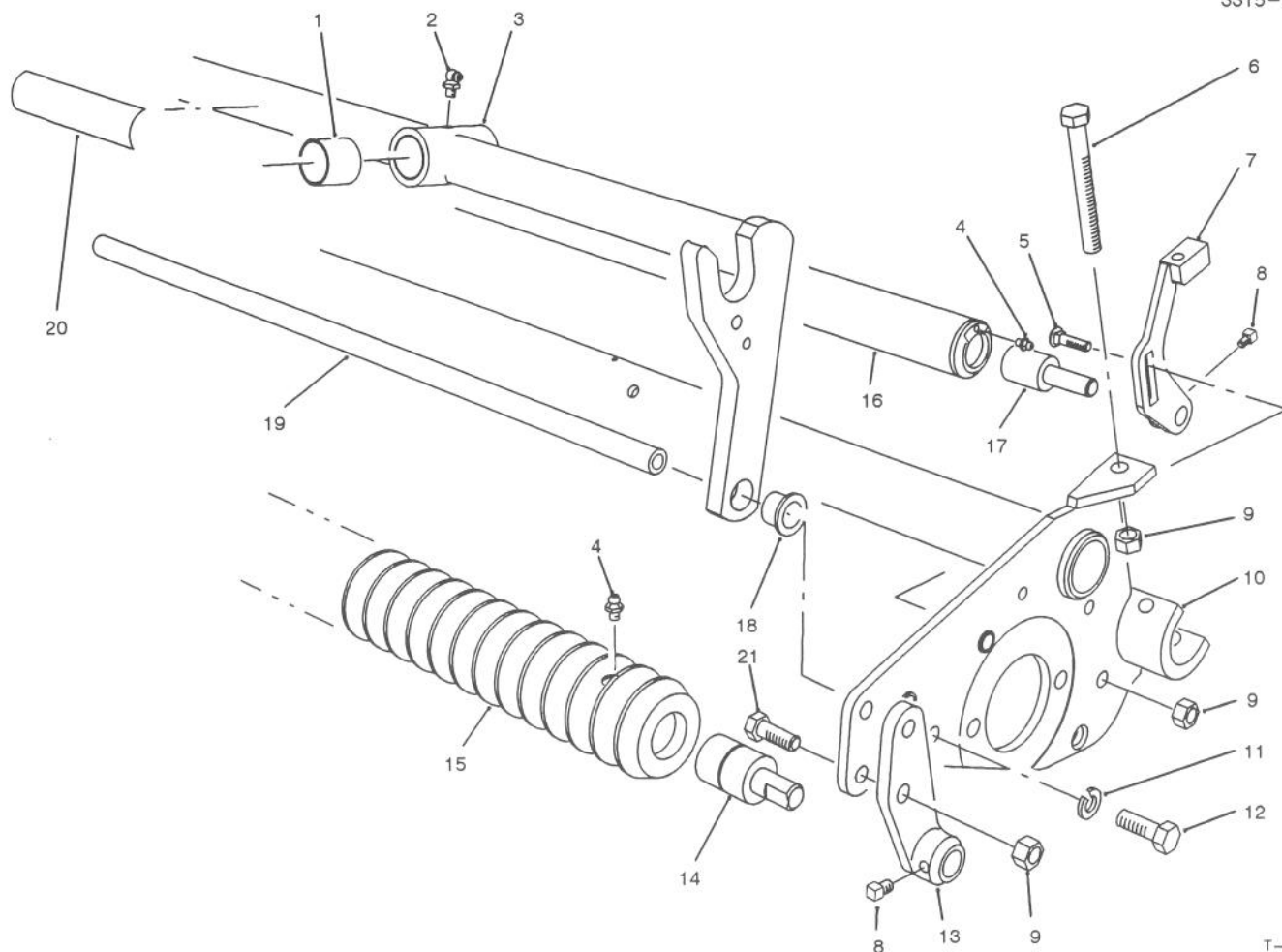
T-1009

REEL MOTOR ASSEMBLY NO. 75-1400

Ref. No.	Part No.	Description	No. Used	Ref. No.	Part No.	Description	No. Used
1	354-50	Screw-Hex Socket Hd.	4	10	354-44	Body Assy. (Incl. Ref. #5)	1
2	354-51	Washer	4	†11		Spacer	1
3	353-599	Pin-Dowel	2	†12		Seal-Shaft	1
4	354-47	Cover Assy. (Incl. Ref. #5)	1	13	32151-41	Ring-Retaining	1
†5		Bearing-Needle	4	*	72-4380	Seal Kit (Incl. Ref. #11-13)	1
6	354-45	Idler Gear Assembly	1	*	75-1270	Repair Kit (Incl. Ref. #8, & 11-13)	1
7	354-49	Drive Shaft Assembly	1				
8	354-46	Ring-Seal	1				
†9		Plate Assembly-Load	1				

*Not Illustrated

†Not Serviced Separately



T-1061

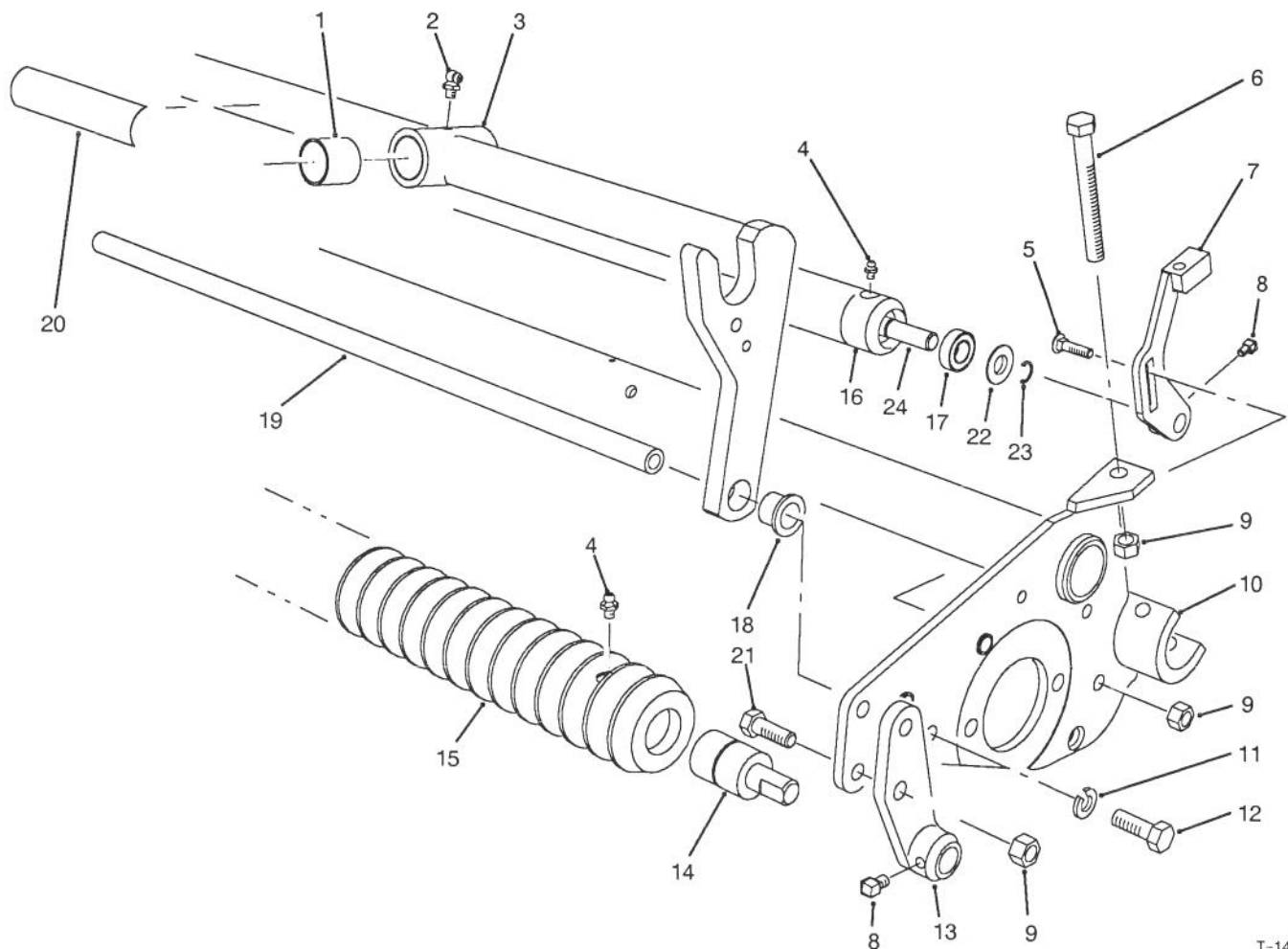
ROLLER ASSEMBLY

(5 Blade Cutting Unit Serial No. 20001 thru 20555)
(8 Blade Cutting Unit Serial No. 20001 thru 21322)

Ref. No.	Part No.	Description	No. Used	Ref. No.	Part No.	Description	No. Used
1	67-1750	Bushing - Sleeve	2	12	323-6	Screw - Cap Hex. Hd.	2
2	302-60	Fitting - Grease	1	13	75-1980	Bracket - HOC Front L.H.	1
3	75-1600	Carrier Frame Assembly (Incl. Ref. #1, 2 & 18)	1	*	75-1960	Bracket - HOC Front R.H.	1
4	302-5	Fitting - Grease	4	14	75-1290	Bearing Assembly	2
5	3231-2	Bolt - Carriage	2	15	75-1520	Wihle Roller Assembly (Incl. Ref. #4 & 12)	1
6	323-49	Screw - Cap Hex. Hd.	2	16	85-7220	Rear Roller Assembly (Incl. Ref. #4 & 17)	1
7	75-1620	Bracket - HOC Rear L.H.	1	17	21-8430	Bearing Assembly	2
*	75-1610	Bracket - HOC Rear R.H.	1	18	75-2160	Bearing - Flange	2
8	3242-1	Screw - Sq. Hd. Set	4	19	75-1710	Support - Cutting Unit	1
9	3296-39	Nut - Lock	8	‡20	67-7960	Decal - Warning (English)	1
10	75-6660	Cutting Unit Frame Assy. (Incl. Ref. #11, 12 & 19)	1	21	323-7	Screw - Cap Hex. Hd.	4
11	3253-21	Washer - Lock	2				

*Not Illustrated

‡For different language versions of this part, see International Decal Cross Reference.



T-1439

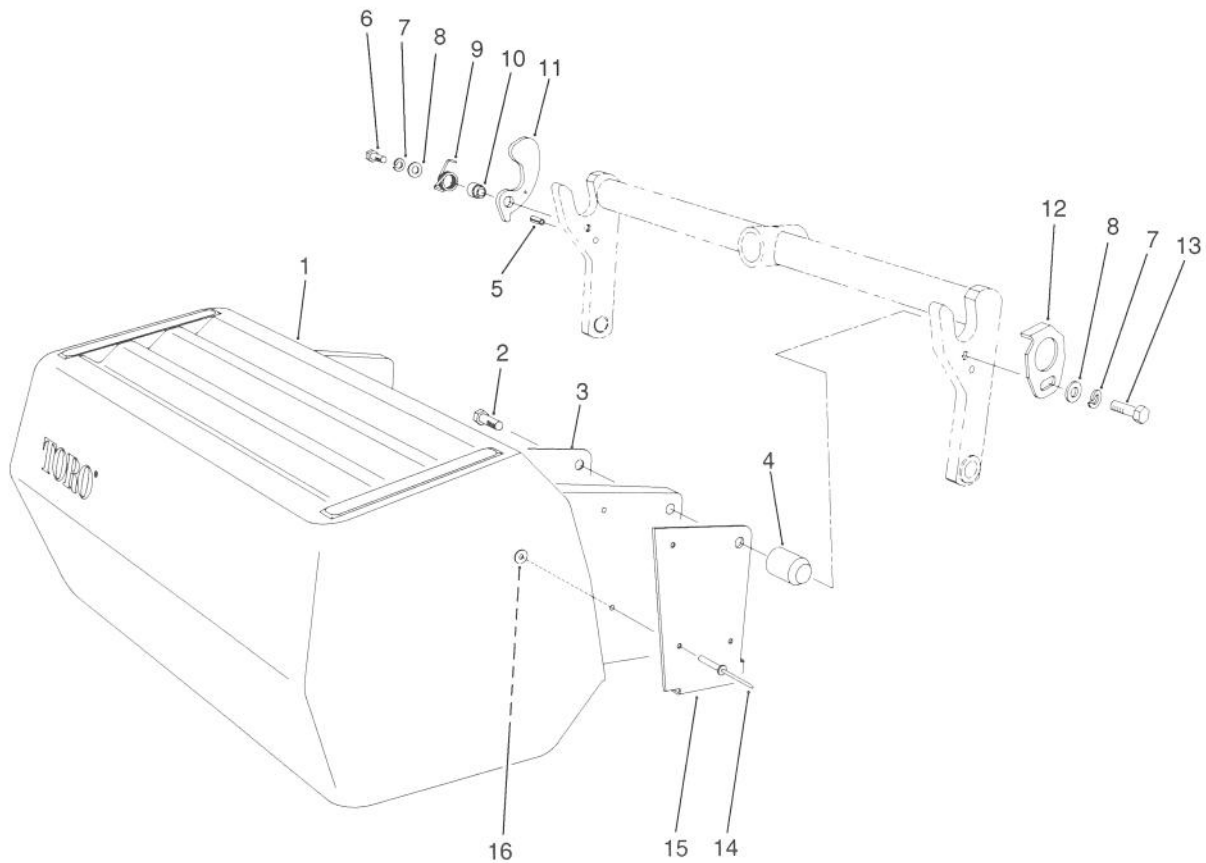
ROLLER ASSEMBLY (5 Blade Cutting Unit Serial No. 20556 & Up) (8 Blade Cutting Unit Serial No. 21323 & Up)

Ref. No.	Part No.	Description	No. Used
1	67-1750	Bushing - Sleeve	2
2	302-60	Fitting - Grease	1
3	75-1600	Carrier Frame Assembly (Incl. Ref. #1, 2 & 18)	1
4	302-5	Fitting - Grease	4
5	3231-2	Bolt - Carriage	2
6	323-49	Screw - Cap Hex. Hd.	2
7	75-1620	Bracket - HOC Rear L.H.	1
*	75-1610	Bracket - HOC Rear R.H.	1
8	3242-1	Screw - Sq. Hd. Set	4
9	3296-39	Nut - Lock	8
10	75-6660	Cutting Unit Frame Assy. (Incl. Ref. #11, 12 & 19)	1
11	3253-21	Washer - Lock	2
12	323-6	Screw - Cap Hex. Hd.	2

Ref. No.	Part No.	Description	No. Used
13	75-1980	Bracket - HOC Front L.H.	1
*	75-1960	Bracket - HOC Front R.H.	1
14	75-1290	Bearing Assembly	2
15	75-1520	Wihle Roller Assembly (Incl. Ref. #4 & 12)	1
16	85-7220	Rear Roller Assembly (Incl. Ref. #4, 17 & 22-24)	1
17	85-9970	Bearing Assembly	2
18	75-2160	Bearing - Flange	2
19	75-1710	Support - Cutting Unit	1
‡20	67-7960	Decal - Warning (English)	1
21	323-7	Screw - Cap Hex. Hd.	4
22	85-7190	Washer - Shield	2
23	32151-12	Ring - Retaining	2
24	85-7180	Shaft - Roller	1

*Not Illustrated

‡For different language versions of this part, see International Decal Cross Reference.



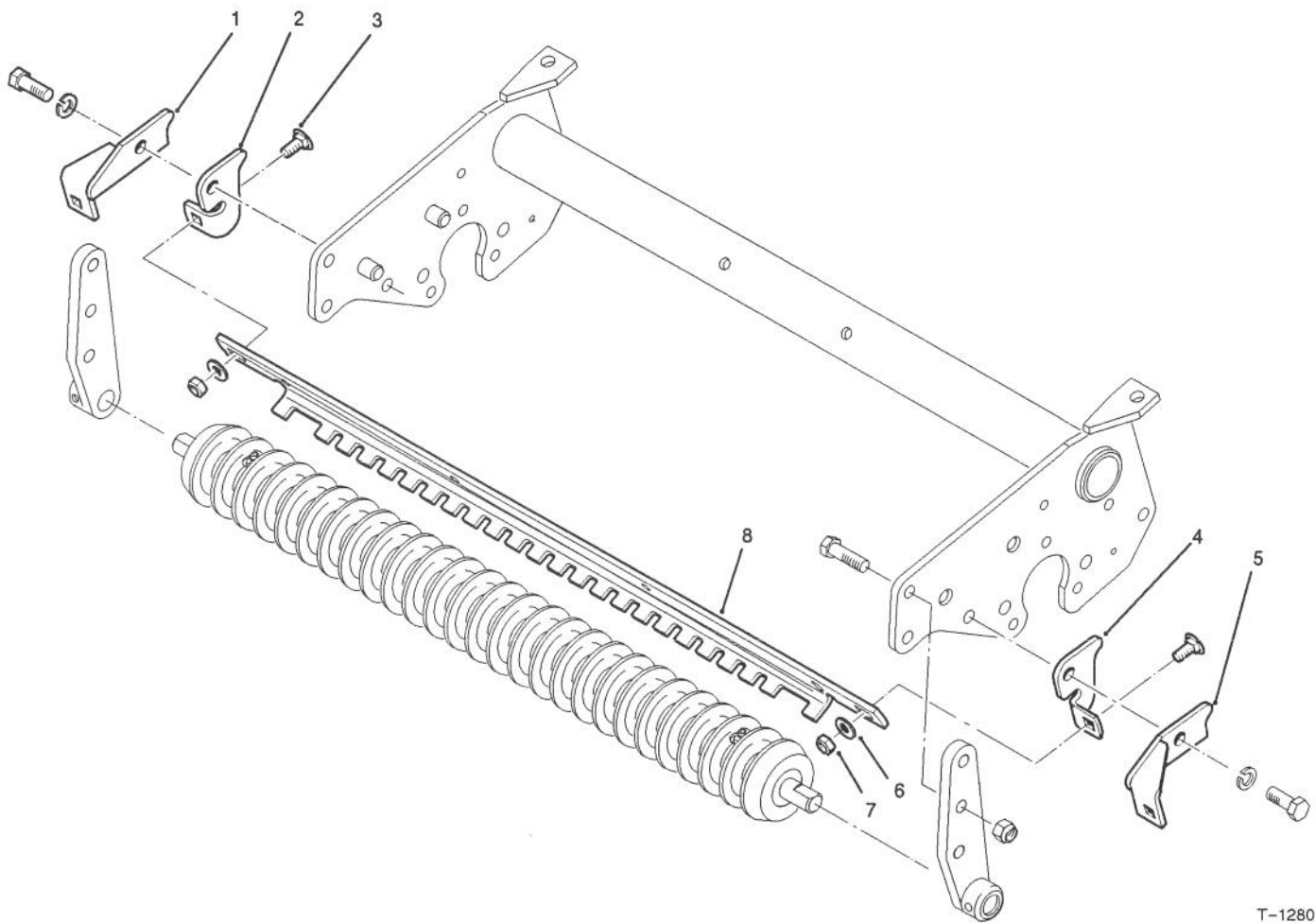
T-1063

GRASS BASKET ASSEMBLY

Ref. No.	Part No.	Description	No. Used	Ref. No.	Part No.	Description	No. Used
1	75-4010	Basket - Grass	1	9	75-3970	Spring - Torsion R.H.	1
2	323-6	Screw - Cap Hex. Hd.	2	*	75-3960	Spring - Torsion L.H.	1
3	75-4030	Support - Basket Inner L.H.	1	10	75-3940	Collar - Basket	1
*	75-4020	Support - Basket Inner R.H.	1	11	75-3950	Bracket - Basket	1
4	75-3930	Pin - Basket	2	12	75-3920	Guide - Basket	1
5	32121-11	Pin - Roll	1	13	322-1	Screw - Cap Hex. Hd.	1
6	322-6	Screw - Cap Hex. Hd.	1	14	3269-28	Rivet - Pop	10
7	3253-4	Washer - Lock	2	15	75-4040	Support - Basket Outer L.H.	1
8	3256-71	Washer - Flat	2	*	75-4050	Support - Basket Outer R.H.	1
				16	3256-49	Washer - Flat	10

*Not Illustrated

Note: Front left, center, and rear right assemblies shown.



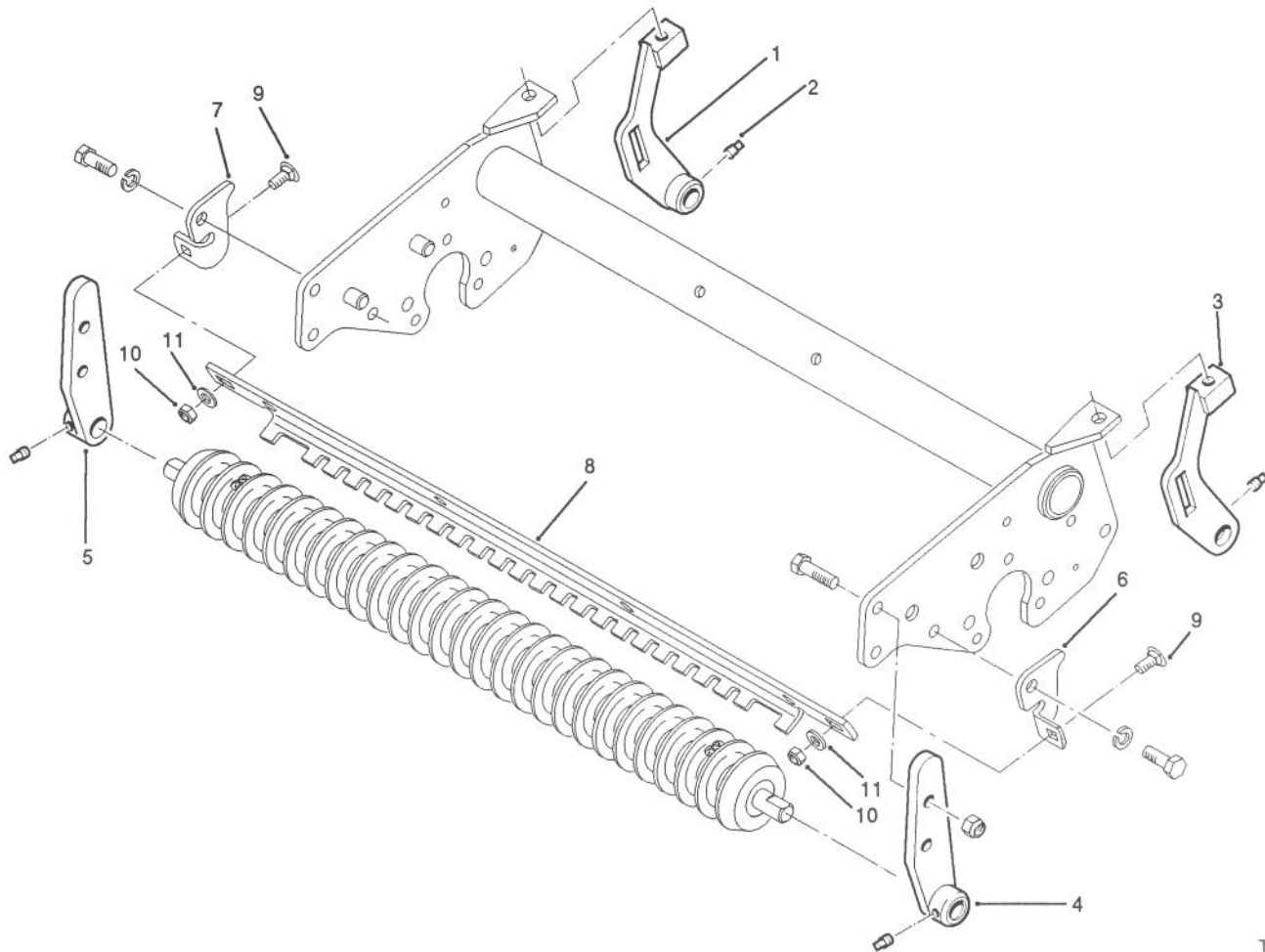
T-1280

FRONT ROLLER SCRAPER KIT NO. 83-5400 (Optional)

Ref. No.	Part No.	Description	No. Used
1	83-6950	Bracket - Scraper R.H.	1
2	83-6930	Bracket - Scraper R.H.	1
3	3230-1	Bolt - Carriage	2
4	83-6940	Bracket - Scraper L.H.	1

Ref. No.	Part No.	Description	No. Used
5	83-6980	Bracket - Scraper L.H.	1
6	3256-23	Washer - Flat	2
7	3296-29	Nut - Lock	2
8	82-6830	Bracket - Scraper	1

NOTE: Quantities listed per cutting unit.

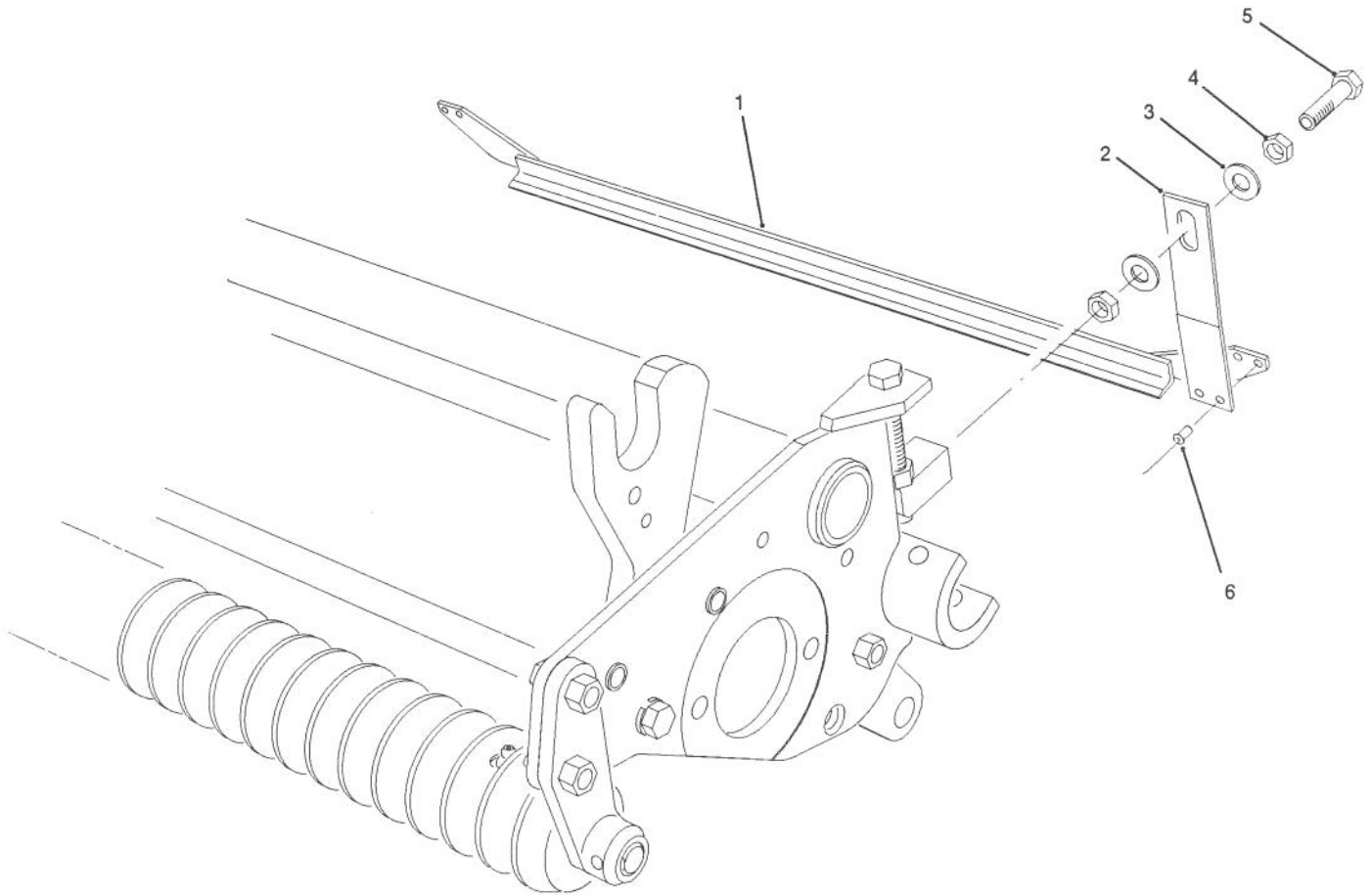


T-1308

HIGH HEIGHT-OF-CUT KIT NO. 83-5300 (Optional)

Ref. No.	Part No.	Description	No. Used	Ref. No.	Part No.	Description	No. Used
1	83-5210	H.O.C. - Right Rear	5	*7	83-4870	Bracket - High Scraper R.H.	5
2	3242-1	Screw - Set Sq. Hd.	20	*8	82-6830	Bracket - Scraper	5
3	83-5230	H.O.C. - Left Rear	5	*9	3230-1	Bolt - Carriage	10
4	83-5250	Support - Front L.H.	5	*10	3296-29	Nut - Lock	10
5	83-5240	Support - Front R.H.	5	*11	3256-23	Washer - Flat	10
*6	83-4880	Bracket - High Scraper L.H.	5				

*Not Included with Kit. These parts are required to install a front roller scraper when using the High Height-of-Cut Kit.



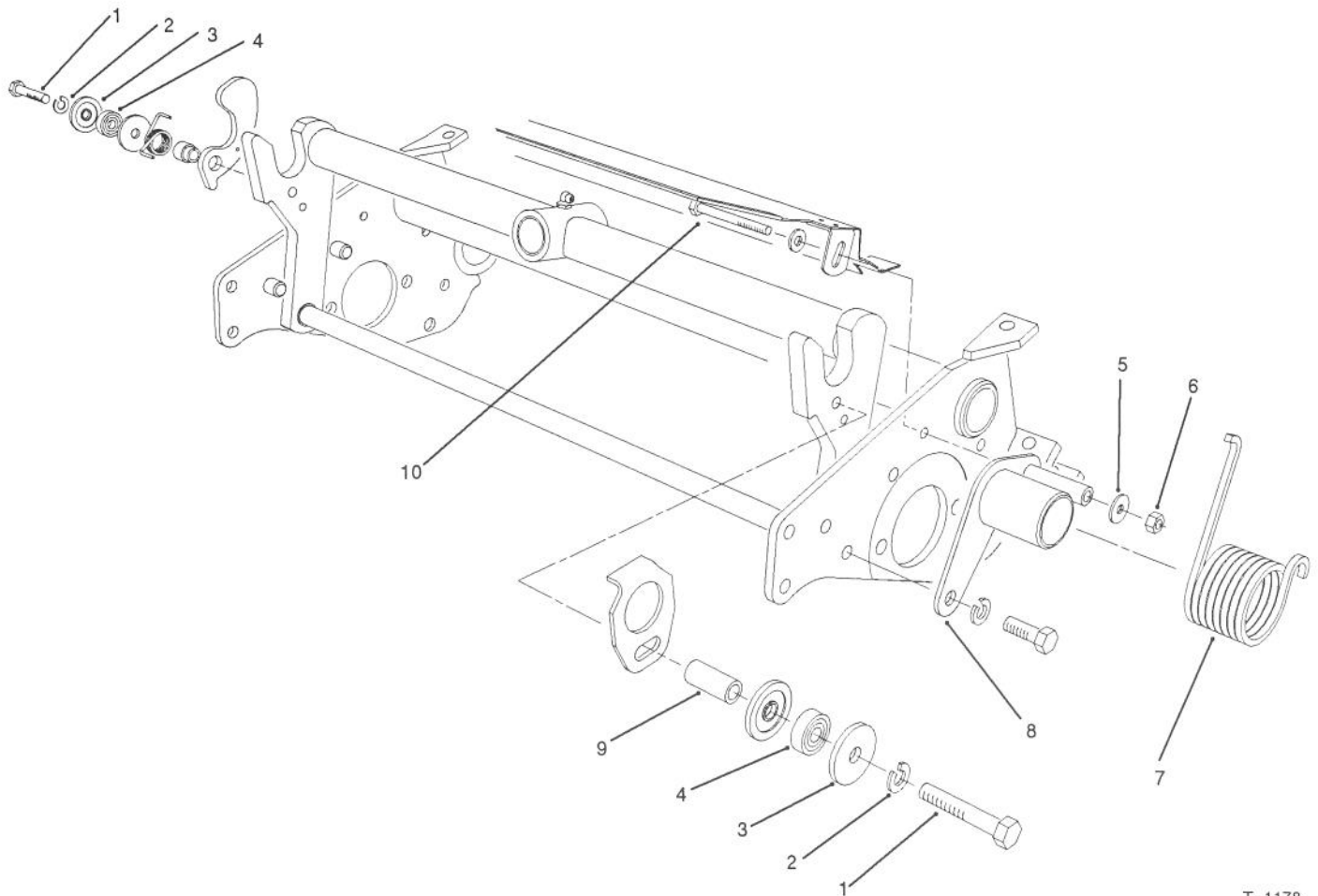
T-1096

ROLLER SCRAPER KIT MODEL NO. 03512 (Optional)

Ref. No.	Part No.	Description	No. Used
1	75-1750	Scraper - Roller	1
2	75-1740	Spring - Scraper	2
3	3256-24	Washer - Flat	4

Ref. No.	Part No.	Description	No. Used
4	3218-3	Nut - Jam	4
5	323-50	Screw - Cap Hex. Hd.	2
6	3269-3	Rivet - Pop	4

NOTE: Quantities listed per cutting unit.
*Not Illustrated



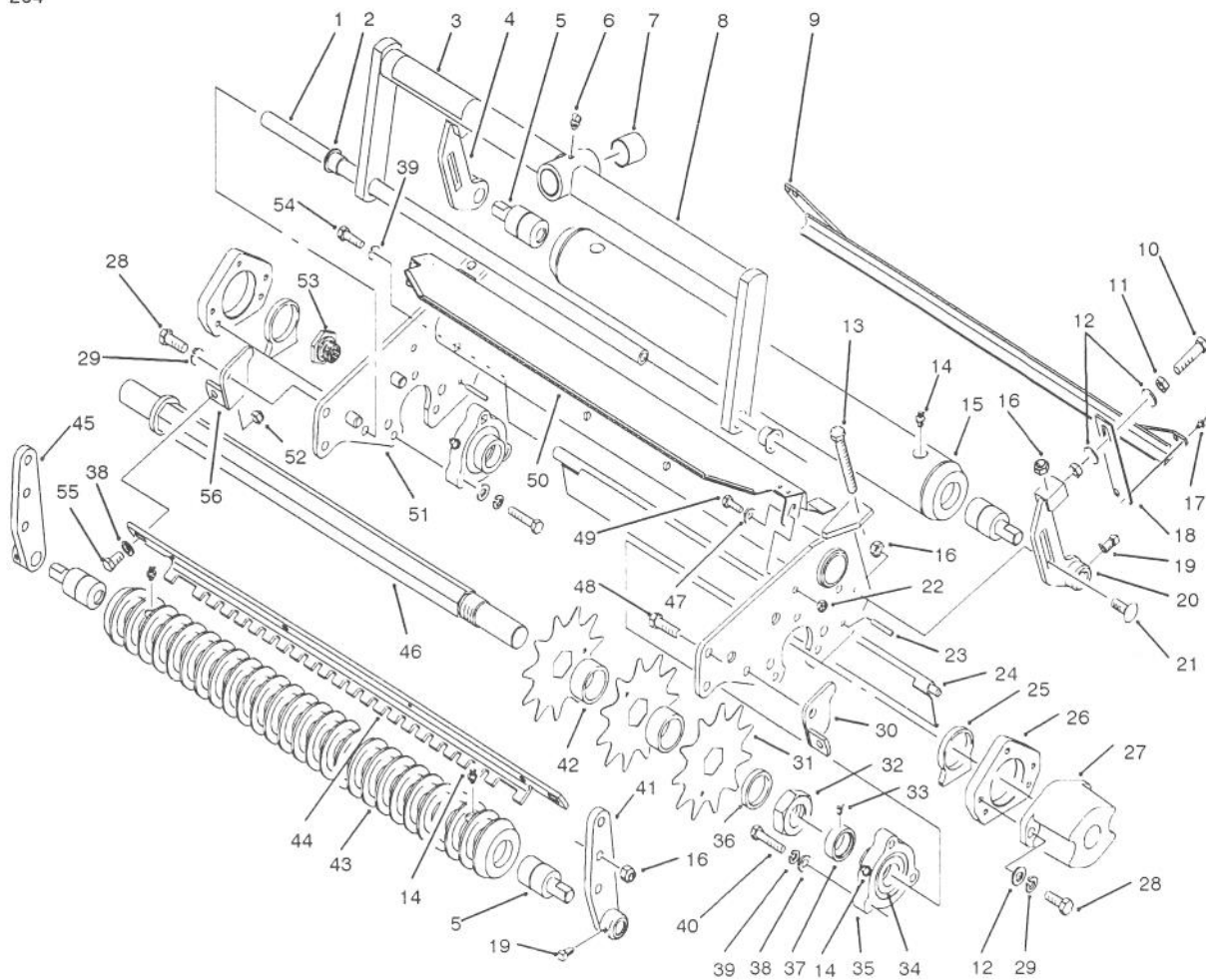
T-1178

TURF COMPENSATION KIT MODEL NO. 03510 (Optional)

Ref. No.	Part No.	Description	No. Used
1	322-9	Screw - Cap Hex. Hd.	10
2	3253-4	Washer - Lock	10
3	82-6890	Washer - Special	20
4	251-259	Bearing	10
5	3256-78	Washer - Flat	10
6	3296-42	Nut - Lock	10

Ref. No.	Part No.	Description	No. Used
7	83-4730	Spring - Torsion L.H.	5
*	83-4720	Spring - Torsion R.H.	5
8	83-4710	Plate - Spring L.H.	5
*	83-4700	Plate - Spring R.H.	5
9	82-6840	Spacer	10
10	321-23	Screw - Cap Hex. Hd.	10

Note: Front left, center, and rear right assemblies shown.
*Not Illustrated

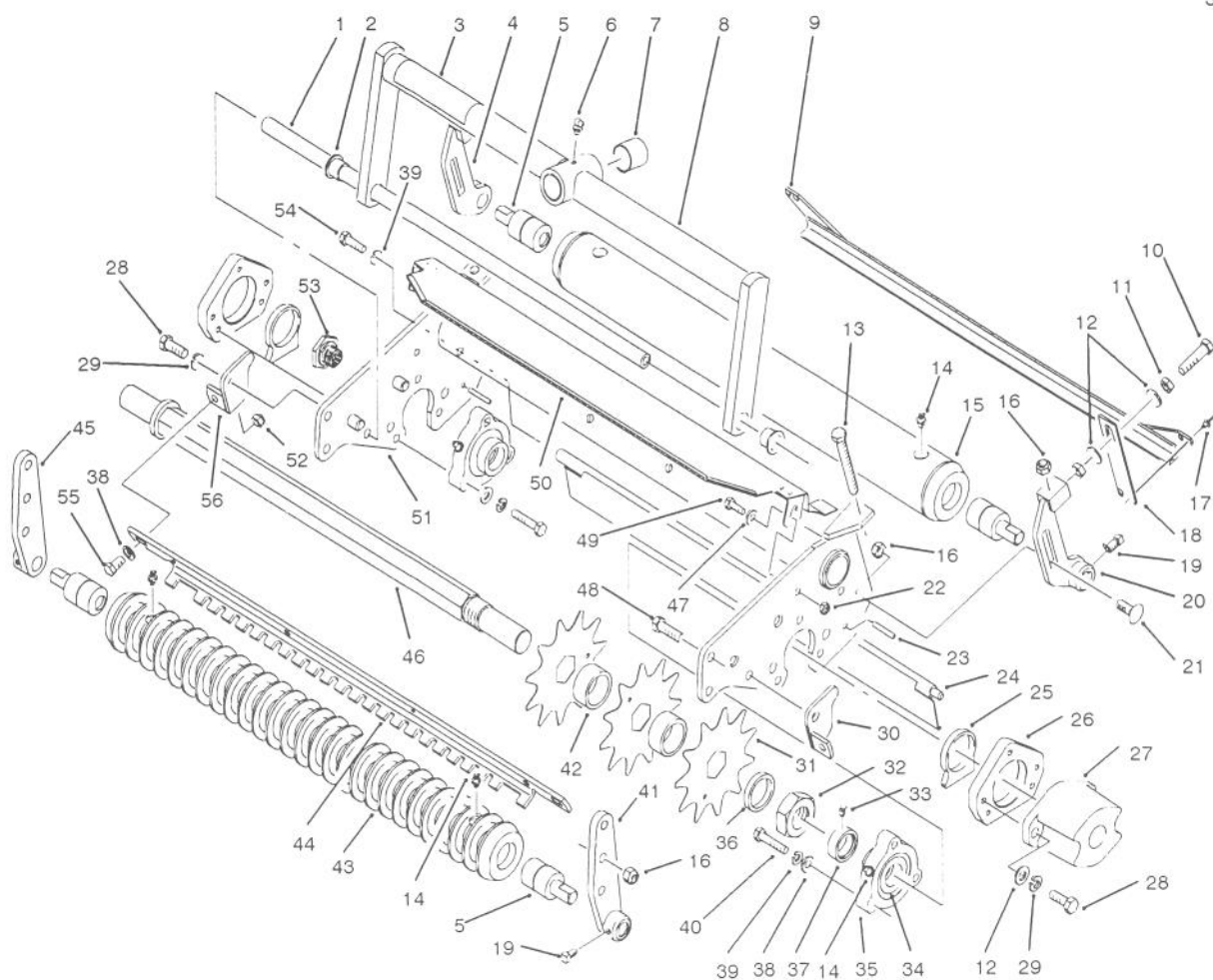


T-1241

DETHATCHER ASSEMBLY MODEL NO. 03516 (Optional)

Ref. No.	Part No.	Description	No. Used
1	75-1710	Support	1
2	75-2160	Bushing - Flange	2
3	67-7960	Decal - Warning	1
4	82-6630	Bracket - H.O.C. RH	1
5	75-1290	Bearing	4
6	302-60	Fitting - Grease	1
7	67-1750	Bushing - Axle	2
8	82-6540	Frame W.A. - Carrier (Incl. Ref. #2, 6 & 7)	1
9	82-6740	Assy. - Scraper, Rear (Incl. Ref. #17 & 18)	1
10	323-53	Screw - Cap Hex. Hd.	2
11	3218-3	Nut - Hex. Jam	4
12	3256-24	Washer - Flat	8
13	323-49	Screw - Special	2
14	302-11	Fitting - Grease 45°	6
15	82-6680	Assembly - Roller, Rear (Incl. Ref. #5 & 14)	1
16	3296-39	Nut - Lock	8
17	3269-3	Rivet - Pop	4
18	82-6770	Spring - Scraper	2
19	3242-1	Screw - Set	4
20	82-6650	Bracket - H.O.C. LH	1

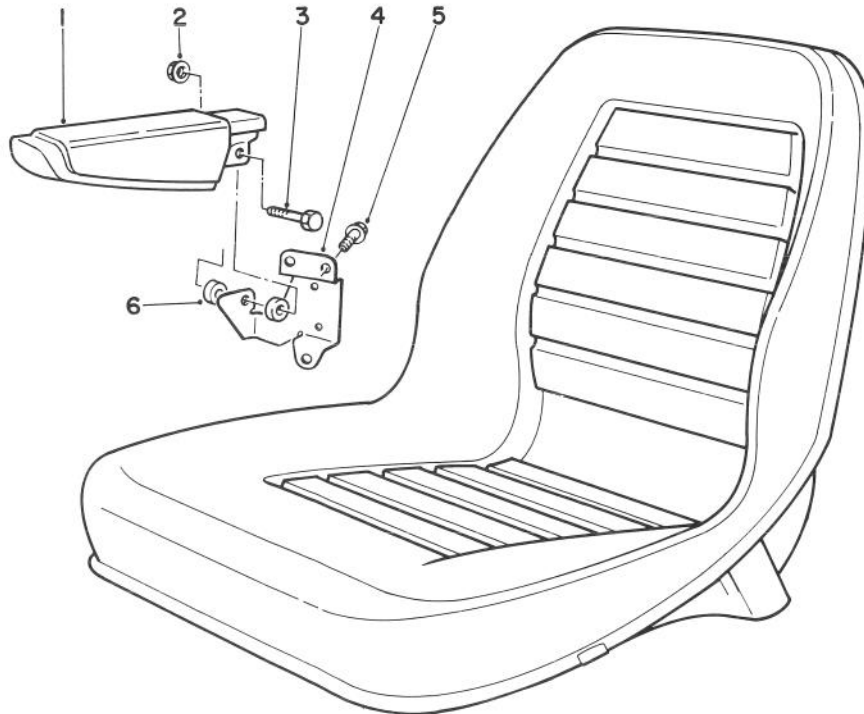
Ref. No.	Part No.	Description	No. Used
21	3231-3	Bolt - Carriage	2
22	3296-42	Nut - Lock	2
23	32121-12	Pin - Roll	2
24	82-6780	Deflector - Rear	1
25	82-6820	Spacer - Bearing	2
26	82-6810	Plate - Bearing	2
27	10-5080	Cap - End	1
28	323-6	Screw - Cap Hex. Hd.	6
29	3253-21	Washer - Lock	6
30	82-6880	Scraper W.A. - LH	1
31	17-1590	Blade - 11 Tooth	24
32	3220-18	Nut - Jam	1
33	3245-35	Screw - Set	2
34	251-337	Bearing - Ball	2
35	76-2460	Assembly - Bearing (Incl. Ref. #14, 33-34 & 37)	2
36	17-1600	Spacer	2
37	251-77	Collar - Lock	2
38	3256-23	Washer - Flat	8
39	3253-4	Washer - Lock	7
40	322-7	Screw - Cap Hex. Hd.	6
41	82-6530	Support H.O.C. - Left	1



T-1241

DETHATCHER ASSEMBLY MODEL NO. 03516 (Optional) (Continued)

Ref. No.	Part No.	Description	No. Used	Ref. No.	Part No.	Description	No. Used
42	82-6600	Spacer	23	49	321-4	Screw - Cap Hex. Hd.	2
43	75-1520	Assembly - Roller, Wiehle (Incl. Ref. #5 & 14)	1	50	75-1840	Assembly - Shield, Grass	1
44	82-6830	Bracket - Scraper	1	51	82-6710	Assembly - Frame W.A.	1
45	82-6510	Support H.O.C. - Right	1	52	3296-29	Nut - Lock	2
46	82-6570	Shaft - Reel	1	53	77-0340	Screw - Spline	1
47	3256-1	Washer - Flat	2	54	322-5	Screw - Cap Hex. Hd.	1
48	323-7	Screw - Cap Hex. Hd.	4	55	322-3	Screw - Cap Hex. Hd.	2
				56	82-6870	Scraper W.A. - RH	1



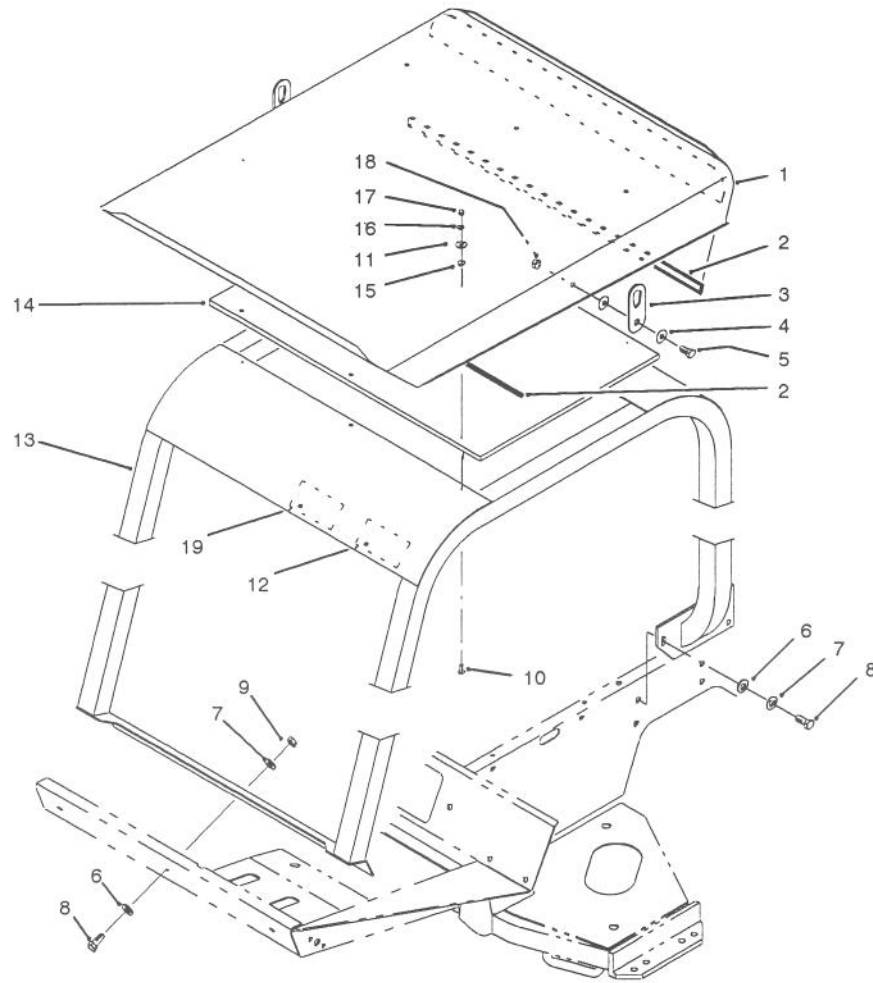
T-0634

ARMREST KIT MODEL NO. 30707 (Optional)

Ref. No.	Part No.	Description	No. Used
1	69-1180	Armrest	2
2	32128-19	Nut - Flange Lock	2
3	323-9	Screw - Cap Hex. Hd.	2

Ref. No.	Part No.	Description	No. Used
4	69-0770	Bracket - Armrest R.H.	1
*	69-0760	Bracket - Armrest L.H.	1
5	3234-23	Screw - Hex. Flange Hd.	6
6	69-1260	Spacer	4

*Not Illustrated



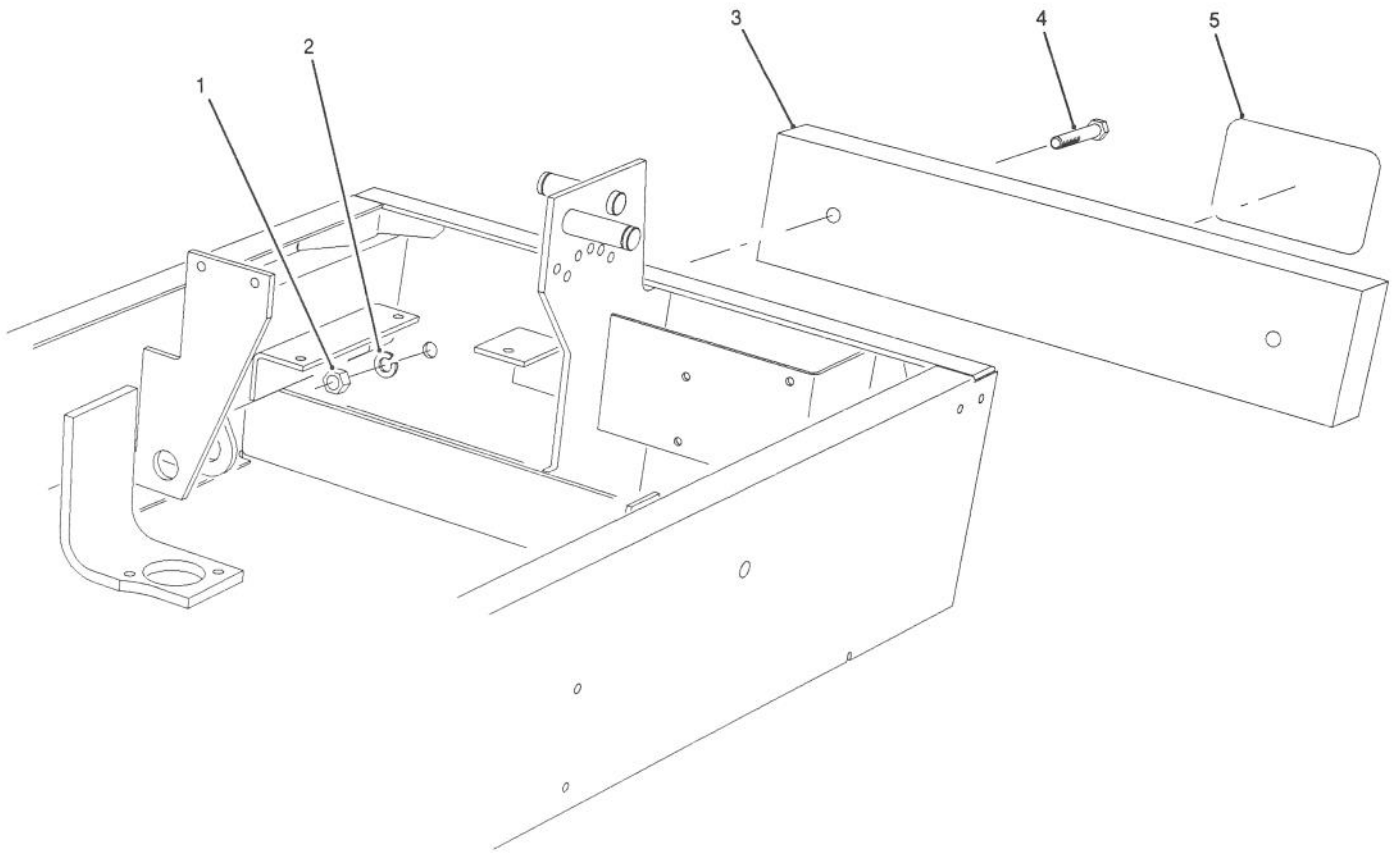
T-1304

R.O.P.S. ASSEMBLY (Optional)

Ref. No.	Part No.	Description	No. Used	Ref. No.	Part No.	Description	No. Used
1	83-7370	Roof	1	‡12	83-7430	Decal - Danger (English)	1
2	83-7390	Seal	2	13	83-7410	Roll - Bar	1
3	83-7400	Ear - Lift	2	14	83-7380	Insulation - Roof	1
4	3256-24	Washer - Flat	4	15	83-7420	Washer - Rubber	6
5	323-6	Screw - Cap Hex. Hd.	2	16	3253-3	Washer - Lock	6
6	3256-26	Washer - Flat	9	17	32111-7	Nut - Acorn	6
7	3253-7	Washer - Lock	9	18	3296-39	Nut - Lock	2
8	325-5	Screw - Cap Hex. Hd.	9	19	85-9980	Decal - ROPS	1
9	3217-9	Nut - Lock	3	*	21-4191	Seat Belt Assembly	1
10	3250-45	Screw - Pan Hd.	6	*	3212-4	Screw - Cap Hex. Hd.	2
11	3256-22	Washer - Flat	6	*	3253-6	Washer - Lock	2

*Not Illustrated

‡For different language versions of this part, see International Decal Cross Reference.



T-1152

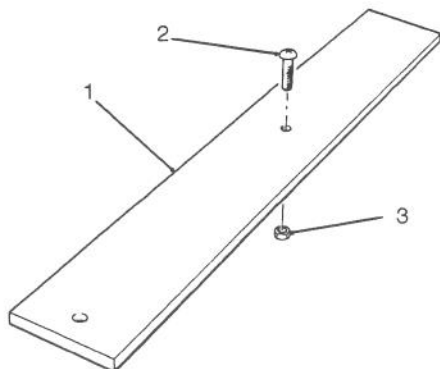
WEIGHT KIT NO. 75-6690 (Optional)

Ref. No.	Part No.	Description	No. Used
1	3217-9	Nut - Hex.	2
2	3253-27	Washer - Lock	2
3		Bar - Weight	1

Ref. No.	Part No.	Description	No. Used
4	325-8	Screw - Cap Hex. Hd.	2
5	62-5550	Decal - TORO	1

SPECIAL TOOLS

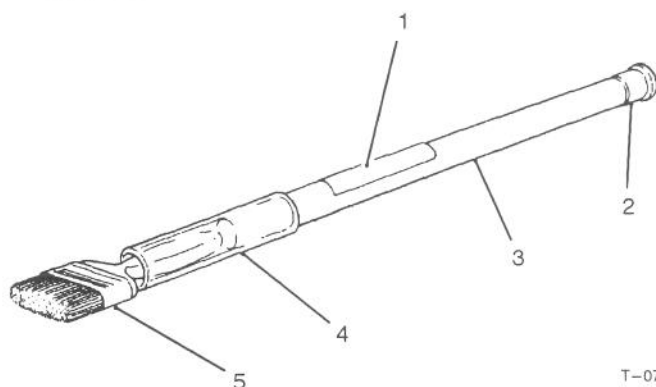
GAUGE BAR ASSEMBLY NO. 13-8199



T-1151

Ref. No.	Part No.	Description	No. Used
1	65-8320	Bar - Height-Of-Cut	1
2	32122-22	Screw	1
3	3219-14	Nut - Hex.	1

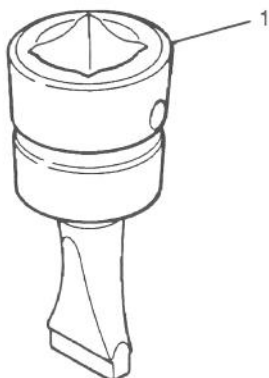
BACKLAPPING BRUSH ASSEMBLY NO. *TOR299100



T-0731

Ref. No.	Part No.	Description	No. Used
1	12-9140	Decal	1
2	2410-18	Plug	1
3	29-9080	Handle	1
4	29-9090	Hose - Handle	1
5	36-4310	Brush	1

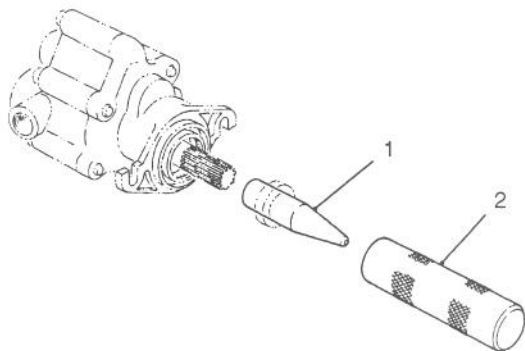
BEDKNIFE SCREW TOOL NO. *TOR510880



T-0729

Ref. No.	Part No.	Description	No. Used
1		Tool - Bedknife Screw	1

HYDRAULIC MOTOR TOOLS



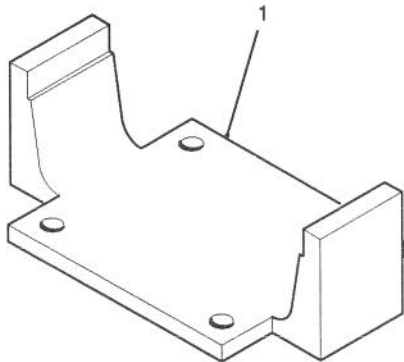
T-0727

Ref. No.	Part No.	Description	No. Used
1	*TOR491430	Protector - Seal	1
2	*TOR491450	Installer - Seal	1

*Obtain these items directly from OTC 2013 4th St. Owatonna, MN. 55060 1-800-533-0492
(in Minnesota and Canada 1-507-455-7050) Fax. 507-455-7011.

SPECIAL TOOLS

AXLE TOOL NO. *TOR859920



Ref. No.	Part No.	Description	No. Used
1		Tool - Axle	1

T-1325

*Obtain these items directly from OTC 2013 4th St. Owatonna, MN. 55060 1-800-533-0492
(in Minnesota and Canada 1-507-455-7050) Fax. 507-455-7011.

INTERNATIONAL DECAL CROSS REFERENCE

JAPANESE DECAL KIT NO. 83-6880

DESCRIPTION	LOCATION	PART NUMBER	
		ENGLISH	JAPANESE
Decal No Step	Lift Arms	36-3400	84-2780
Decal Diesel Only	Left Fender	52-1320	84-2860
Decal Spring Loaded	Lift Arms	55-4300	84-2940
Decal ANSI	Tool Box Cover	62-6280 Ref. Only	84-3020
Decal No Starting Fluid	Air Cleaner	67-1700	84-3100
Decal Hydraulic Oil	Right Fender & Frame	85-4730	88-1980
Decal Backlap	Backlap Bracket	75-0750	84-3260
Decal Towing	Tool Box Cover	75-1280	84-3340
Decal No Riders	Fenders	75-5190	84-3420
Decal Fast/Slow	Steering Tower	75-6710	84-3500
Decal Reels	Under Seat Plate	75-6830	84-3580
Decal Slopes	Tool Box	75-7540	84-3660
Decal Bolt	Frame	77-0490	80-4880
Decal This End Down	Radiator Screen	83-7450	84-3820
Decal Knobs	Seat Plate	83-7440	84-3900
Decal Change Filter	Frame	75-0790	84-3980
Decal Fuses	Inside Control Box	85-4720	84-4060
Decal Reference Chart	Inside Tool Box	75-0730	84-4140
Decal Hands/Feet	Cutting Unit Frames	67-7960	84-4220
Decal Seat Belts	R.O.P.S. Roof	83-7430	84-4300
Decal Asbestos	Behind Front Wheels	75-0810	84-4310
Decal Floor Plate	Main Frame	88-0440	88-1900

DANISH DECAL KIT NO. 83-6870

DESCRIPTION	LOCATION	PART NUMBER	
		ENGLISH	DANISH
Decal No Step	Lift Arms	36-3400	84-2770
Decal Diesel Only	Left Fender	52-1320	84-2850
Decal Spring Loaded	Lift Arms	55-4300	84-2930
Decal ANSI	Tool Box Cover	62-6280 Ref. Only	84-3010
Decal No Starting Fluid	Air Cleaner	67-1700	84-3090
Decal Hydraulic Oil	Right Fender & Frame	85-4730	88-2010
Decal Backlap	Backlap Bracket	75-0750	84-3250
Decal Towing	Tool Box Cover	75-1280	84-3330
Decal No Riders	Fenders	75-5190	84-3410
Decal Fast/Slow	Steering Tower	75-6710	84-3490
Decal Reels	Under Seat Plate	75-6830	84-3570
Decal Slopes	Tool Box	75-7540	84-3650
Decal Bolt	Frame	77-0490	84-3730
Decal This End Down	Radiator Screen	83-7450	84-3810
Decal Knobs	Seat Plate	83-7440	84-3890
Decal Change Filter	Frame	75-0790	84-3970
Decal Fuses	Inside Control Box	85-4720	84-4050
Decal Reference Chart	Inside Tool Box	75-0730	84-4130
Decal Hands/Feet	Cutting Unit Frames	67-7960	84-4210
Decal Seat Belts	R.O.P.S. Roof	83-7430	84-4290
Decal Asbestos	Behind Front Wheels	75-0810	84-4320
Decal Floor Plate	Main Frame	88-0440	88-1930

INTERNATIONAL DECAL CROSS REFERENCE

DUTCH DECAL KIT NO. 83-6830

DESCRIPTION	LOCATION	PART NUMBER	
		ENGLISH	DUTCH
Decal No Step	Lift Arms	36-3400	84-2760
Decal Diesel Only	Left Fender	52-1320	84-2840
Decal Spring Loaded	Lift Arms	55-4300	84-2920
Decal ANSI	Tool Box Cover	62-6280 Ref. Only	84-3000
Decal No Starting Fluid	Air Cleaner	67-1700	84-3080
Decal Hydraulic Oil	Right Fender & Frame	85-4730	88-2050
Decal Backlap	Backlap Bracket	75-0750	84-3240
Decal Towing	Tool Box Cover	75-1280	84-3320
Decal No Riders	Fenders	75-5190	84-3400
Decal Fast/Slow	Steering Tower	75-6710	84-3480
Decal Reels	Under Seat Plate	75-6830	84-3560
Decal Slopes	Tool Box	75-7540	84-3640
Decal Bolt	Frame	77-0490	84-3720
Decal This End Down	Radiator Screen	83-7450	84-3800
Decal Knobs	Seat Plate	83-7440	84-3880
Decal Change Filter	Frame	75-0790	84-3960
Decal Fuses	Inside Control Box	85-4720	84-4040
Decal Reference Chart	Inside Tool Box	75-0730	84-4120
Decal Hands/Feet	Cutting Unit Frames	67-7960	84-4200
Decal Seat Belts	R.O.P.S. Roof	83-7430	84-4280
Decal Asbestos	Behind Front Wheels	75-0810	75-0820
Decal Floor Plate	Main Frame	88-0440	88-1970

ITALIAN DECAL KIT NO. 83-6860

DESCRIPTION	LOCATION	PART NUMBER	
		ENGLISH	ITALIAN
Decal No Step	Lift Arms	36-3400	84-2750
Decal Diesel Only	Left Fender	52-1320	84-2830
Decal Spring Loaded	Lift Arms	55-4300	84-2910
Decal ANSI	Tool Box Cover	62-6280 Ref. Only	84-2990
Decal No Starting Fluid	Air Cleaner	67-1700	84-3070
Decal Hydraulic Oil	Right Fender & Frame	85-4730	88-2030
Decal Backlap	Backlap Bracket	75-0750	84-3230
Decal Towing	Tool Box Cover	75-1280	84-3310
Decal No Riders	Fenders	75-5190	84-3390
Decal Fast/Slow	Steering Tower	75-6710	84-3470
Decal Reels	Under Seat Plate	75-6830	84-3550
Decal Slopes	Tool Box	75-7540	84-3630
Decal Bolt	Frame	77-0490	84-3710
Decal This End Down	Radiator Screen	83-7450	84-3790
Decal Knobs	Seat Plate	83-7440	84-3870
Decal Change Filter	Frame	75-0790	84-3950
Decal Fuses	Inside Control Box	85-4720	84-4030
Decal Reference Chart	Inside Tool Box	75-0730	84-4110
Decal Hands/Feet	Cutting Unit Frames	67-7960	84-4190
Decal Seat Belts	R.O.P.S. Roof	83-7430	84-4270
Decal Asbestos	Behind Front Wheels	75-0810	75-0850
Decal Floor Plate	Main Frame	88-0440	88-1950

INTERNATIONAL DECAL CROSS REFERENCE

SPANISH DECAL KIT NO. 83-6850

DESCRIPTION	LOCATION	PART NUMBER	
		ENGLISH	SPANISH
Decal No Step	Lift Arms	36-3400	84-2740
Decal Diesel Only	Left Fender	52-1320	84-2820
Decal Spring Loaded	Lift Arms	55-4300	84-2900
Decal ANSI	Tool Box Cover	62-6280 Ref. Only	84-2980
Decal No Starting Fluid	Air Cleaner	67-1700	84-3060
Decal Hydraulic Oil	Right Fender & Frame	85-4730	88-2000
Decal Backlap	Backlap Bracket	75-0750	84-3220
Decal Towing	Tool Box Cover	75-1280	84-3300
Decal No Riders	Fenders	75-5190	84-3380
Decal Fast/Slow	Steering Tower	75-6710	84-3460
Decal Reels	Under Seat Plate	75-6830	84-3540
Decal Slopes	Tool Box	75-7540	84-3620
Decal Bolt	Frame	77-0490	84-3700
Decal This End Down	Radiator Screen	83-7450	84-3780
Decal Knobs	Seat Plate	83-7440	84-3860
Decal Change Filter	Frame	75-0790	84-3940
Decal Fuses	Inside Control Box	85-4720	84-4020
Decal Reference Chart	Inside Tool Box	75-0730	84-4100
Decal Hands/Feet	Cutting Unit Frames	67-7960	84-4180
Decal Seat Belts	R.O.P.S. Roof	83-7430	84-4260
Decal Asbestos	Behind Front Wheels	75-0810	75-0860
Decal Floor Plate	Main Frame	88-0440	88-1920

GERMAN DECAL KIT NO. 83-6810

DESCRIPTION	LOCATION	PART NUMBER	
		ENGLISH	GERMAN
Decal No Step	Lift Arms	36-3400	84-2730
Decal Diesel Only	Left Fender	52-1320	84-2810
Decal Spring Loaded	Lift Arms	55-4300	84-2890
Decal ANSI	Tool Box Cover	62-6280 Ref. Only	84-2970
Decal No Starting Fluid	Air Cleaner	67-1700	84-3050
Decal Hydraulic Oil	Right Fender & Frame	85-4730	88-2040
Decal Backlap	Backlap Bracket	75-0750	84-3210
Decal Towing	Tool Box Cover	75-1280	84-3290
Decal No Riders	Fenders	75-5190	84-3370
Decal Fast/Slow	Steering Tower	75-6710	84-3450
Decal Reels	Under Seat Plate	75-6830	84-3530
Decal Slopes	Tool Box	75-7540	84-3610
Decal Bolt	Frame	77-0490	84-3690
Decal This End Down	Radiator Screen	83-7450	84-3770
Decal Knobs	Seat Plate	83-7440	84-3850
Decal Change Filter	Frame	75-0790	84-3930
Decal Fuses	Inside Control Box	85-4720	84-4010
Decal Reference Chart	Inside Tool Box	75-0730	84-4090
Decal Hands/Feet	Cutting Unit Frames	67-7960	84-4170
Decal Seat Belts	R.O.P.S. Roof	83-7430	84-4250
Decal Asbestos	Behind Front Wheels	75-0810	75-0840
Decal Floor Plate	Main Frame	88-0440	88-1960

INTERNATIONAL DECAL CROSS REFERENCE

FRENCH DECAL KIT NO. 83-6920

DESCRIPTION	LOCATION	PART NUMBER	
		ENGLISH	FRENCH
Decal No Step	Lift Arms	36-3400	84-2720
Decal Diesel Only	Left Fender	52-1320	84-2800
Decal Spring Loaded	Lift Arms	55-4300	84-2880
Decal ANSI	Tool Box Cover	62-6280 Ref. Only	84-2960
Decal No Starting Fluid	Air Cleaner	67-1700	84-3040
Decal Hydraulic Oil	Right Fender & Frame	85-4730	88-2020
Decal Backlap	Backlap Bracket	75-0750	84-3200
Decal Towing	Tool Box Cover	75-1280	84-3280
Decal No Riders	Fenders	75-5190	84-3360
Decal Fast/Slow	Steering Tower	75-6710	84-3440
Decal Reels	Under Seat Plate	75-6830	84-3520
Decal Slopes	Tool Box	75-7540	84-3600
Decal Bolt	Frame	77-0490	84-3680
Decal This End Down	Radiator Screen	83-7450	84-3760
Decal Knobs	Seat Plate	83-7440	84-3840
Decal Change Filter	Frame	75-0790	84-3920
Decal Fuses	Inside Control Box	85-4720	84-4000
Decal Reference Chart	Inside Tool Box	75-0730	84-4080
Decal Hands/Feet	Cutting Unit Frames	67-7960	84-4160
Decal Seat Belts	R.O.P.S. Roof	83-7430	84-4240
Decal Asbestos	Behind Front Wheels	75-0810	75-0830
Decal Floor Plate	Main Frame	88-0440	88-1940

SWEDISH DECAL KIT NO. 83-6840

DESCRIPTION	LOCATION	PART NUMBER	
		ENGLISH	SWEDISH
Decal No Step	Lift Arms	36-3400	84-2710
Decal Diesel Only	Left Fender	52-1320	84-2790
Decal Spring Loaded	Lift Arms	55-4300	84-2870
Decal ANSI	Tool Box Cover	62-6280 Ref. Only	84-2950
Decal No Starting Fluid	Air Cleaner	67-1700	84-3030
Decal Hydraulic Oil	Right Fender & Frame	85-4730	88-1990
Decal Backlap	Backlap Bracket	75-0750	84-3190
Decal Towing	Tool Box Cover	75-1280	84-3270
Decal No Riders	Fenders	75-5190	84-3350
Decal Fast/Slow	Steering Tower	75-6710	84-3430
Decal Reels	Under Seat Plate	75-6830	84-3510
Decal Slopes	Tool Box	75-7540	84-3590
Decal Bolt	Frame	77-0490	84-3670
Decal This End Down	Radiator Screen	83-7450	84-3750
Decal Knobs	Seat Plate	83-7440	84-3830
Decal Change Filter	Frame	75-0790	84-3910
Decal Fuses	Inside Control Box	85-4720	84-3990
Decal Reference Chart	Inside Tool Box	75-0730	84-4070
Decal Hands/Feet	Cutting Unit Frames	67-7960	84-4150
Decal Seat Belts	R.O.P.S. Roof	83-7430	84-4230
Decal Asbestos	Behind Front Wheels	75-0810	75-0870
Decal Floor Plate	Main Frame	88-0440	88-1910

PART NUMBER INDEX

Part No.	Description	Pg. Ref. No. No. Qty.	Part No.	Description	Pg. Ref. No. No. Qty.
3-3251	Spring - Compression	3 12 1	27-7150	Cup Assembly	51 1 1
3-6498	Washer - Thrust	58 21 4	27-7160	Decal - Instructions	50 5 1
3-6498	Washer - Thrust	28 22 2	27-7170	Band Assembly	51 7 2
3-6498	Washer - Thrust	56 30 6	27-7220	Air Cleaner Soap	51 * 1
3-6657	Clamp - Cable	6 30 1	27-9560	Spacer	34 46 1
3-6657	Clamp - Cable	35 48 1	28-0660	Screw-Cap, Hex Hd.	25 21 8
5-0743	Spring - Counterbalance	58 1 2	28-0670	Seal-Oil	25 8 2
5-0743	Spring - Extension	56 22 3	28-0680	Drum-Brake	25 13 2
5-1096	Chain - Cutting Unit	58 27 2	28-1280	Boot - Cable	50 18 1
5-1226	Washer - Shim	53 8 A/R	29-6162	Switch - Neutral	28 6 1
5-1226	Washer - Thrust	54 48 2	29-9080	Handle	77 3 1
5-3637	Washer - Flat	34 23 1	29-9090	Hose - Handle	77 4 1
7-3900	Pad - Brake	5 26 2	33-1260	Cover Assembly	51 12 1
10-4930	Bedbar	63 23 1	33-1270	Bowl	51 11 1
10-5080	Cap - End	63 18 1	36-3400	Decal - No Step (English)	57 62 2
10-5080	Cap - End	72 27 1	36-4310	Brush	77 5 1
10-5120	Housing - Bearing	63 14 2	36-7260	Bar - Cutoff	63 4 1
10-6830	Stud - Drive	53 27 10	42-6080	Shim - Axle	21 37 A/R
10-8110	Washer - Thrust	53 9 2	42-7080	Cap	39 2 2
12-0460	Plug - Hole	63 19 1	42-7190	Bushing - Knock	43 33 2
12-9140	Decal	77 1 1	42-7210	Plug-Taper	38 19 1
13-6259	Battery	50 16 1	42-7290	Gasket - Drain	38 16 2
14-0649	Reel - 8 Blade	63 * 1	42-7510	Pipe	40 4 1
14-0659	Reel - 5 Blade	63 26 1	42-7510	Pipe	40 9 1
17-1590	Blade - 11 Tooth	72 31 24	42-7840	Key	39 20 1
17-1600	Spacer	72 36 2	42-7860	Lock	36 33 12
21-0140	Joint - Ball	53 35 2	42-7870	Seal	36 30 6
21-0150	Joint - Ball L.H. Thread	53 39 2	42-8240	Gasket	45 6 3
21-2820	Hub - Rear Wheel	53 18 2	42-8690	Metal - Sealing	47 37 1
21-4191	Seat Belt Assembly	75 * 1	42-8700	Wire	47 38 1
21-7670	Case-Differential	24 33 1	42-8830	Seal - O-Ring	47 6 1
21-7690	Gear-Pinion	23 6 2	42-8830	Seal - O-Ring	47 10 1
21-7700	Shaft-Pinion Mate	24 31 1	42-9110	Gasket	40 21 1
21-7710	Pin-Roll	24 30 1	42-9260	Plug - Drain	38 15 1
21-7720	Washer-Thrust	23 4 2	42-9420	Bolt - Speed Set	47 33 4
21-7730	Washer-Thrust	23 7 2	42-9430	Bolt W/Washer	40 7 1
21-7770	Screw-Drive Gear	24 32 5	42-9430	Bolt W/Washer	47 12 2
21-8020	Spacer-Front Pinion	24 25 1	42-9440	Bolt W/Washer	38 8 11
21-8090	Diff. Adjust. Shim .003	24 38 A/R	42-9440	Bolt W/Washer	49 24 1
21-8100	Diff. Adjust. Shim .005	24 37 A/R	42-9440	Bolt W/Washer	36 25 4
21-8110	Diff. Adjust. Shim .010	24 36 A/R	42-9490	Bolt W/Washer	42 10 4
21-8120	Diff. Adjust. Shim .030	24 35 A/R	42-9490	Bolt W/Washer	39 11 2
21-8180	Bearing	25 3 2	42-9490	Bolt W/Washer	38 18 18
21-8230	Vent Tube Assembly	24 39 1	42-9510	Bolt	37 42 1
21-8270	Pin-Dowel	23 3 2	42-9570	Stud	40 20 4
21-8320	Gasket-Bearing, Wheel	25 20 2	42-9590	Nut	36 17 6
21-8330	Seal-Oil	25 2 2	42-9640	Nut - Jam	47 9 2
21-8360	Clip-Retaining	25 12 2	42-9650	Nut - Jam	43 30 1
21-8390	Cup-Bearing	24 24 1	42-9660	Washer	49 4 1
21-8430	Bearing Assembly	65 17 2	42-9660	Washer	37 39 3
21-9260	Seal - Shaft	3 27 1	42-9850	Washer - Lock	33 14 4
21-9370	Screw-Adjusting	25 16 2	42-9850	Washer - Lock	34 26 2
21-9380	Nut-Pivot	25 17 2	43-0090	Screw - Cap Hex. Hd.	33 20 3
21-9390	Socket-Adjusting Screw	25 15 2	43-0370	Shim	49 5 1
21-9420	Spring-Shoe Return, L.H.	25 19 2	43-0510	Spring - Brush	49 14 2
21-9430	Spring-Shoe Return, R.H.	25 7 2	43-1920	Nut Set	49 17 1
21-9440	Spring-Adjusting Screw	25 14 2	43-2550	Filter	43 18 1
21-9450	Shield-Dust	25 5 2	43-2560	Gasket - Side Cover	43 19 1
21-9460	Retainer-Brake, Parking	25 10 4	43-2570	Gasket-Coil Side	43 17 1
23-2270	Bushing - Rubber	28 26 1	43-2580	Magnet	43 20 1
23-7270	Nut - Lug	21 1 10	43-2690	Pair of Lined Brake Shoes	25 * 2
24-8790	Gear-Bevel, Differential	23 5 2	43-2690	Shoe & Lining Assembly	25 9 4
24-8840	Ring-Bearing, Wheel	25 22 2	43-2710	Seal - O-Ring	40 36 2
24-9180	Lever, Brake, Parking	25 4 2	43-2740	Gasket	33 8 1
27-2360	Ignition Switch Assembly	11 19 1	43-2750	Nut - Lock	33 9 1
27-3710	Dipstick - Axle	21 41 1	43-2820	Cap - Sealing	37 47 1
27-5340	Hose - Fuel	20 11 1	43-2820	Cap - Sealing Torque Set	47 32 1
27-6852	Shaft-Axle, Flanged R.H.	25 * 1	43-3160	Screw - Adjusting	37 44 1
27-6862	Shaft-Axle, Flanged L.H.	25 1 1	43-3220	Screw - Cap Hex. Hd.	33 5 2
27-7110	Element Assembly	51 8 1	43-5920	Washer - Lock	34 25 1
27-7120	Nut	51 3 1	43-5960	Nut - Special	37 46 1
27-7130	Clamp Assembly	51 4 1	43-5970	Nut - Hex.	34 24 1
27-7140	Baffle	51 2 1	43-6710	Diff. Adjust. Shim .003	23 15 A/R

*Not Illustrated

PART NUMBER INDEX (Continued)

Part No.	Description	Pg. Ref.		Part No.	Description	Pg. Ref.	
		No.	No. Qty.			No.	No. Qty.
43-6711	Diff. Adjust. Shim .005	23	16 A/R	63-7140	Mount - Engine	34	34 4
43-6712	Diff. Adjust. Shim .010	23	17 A/R	63-7380	Expansion Tank Assembly	50	6 1
43-6713	Diff. Adjust. Shim .030	23	18 A/R	63-7400	Washer - Flat	34	33 4
43-6750	Cup-Bearing, Tapered	23	10 1	63-7430	Gauge - Temperature	11	8 1
43-6760	Cone-Bearing, tapered	23	9 1	63-7440	Solenoid - Stop	33	10 1
43-6800	Nut-Lock	25	18 8	63-7590	Relay - Starter	31	35 1
43-6810	Spider-Torque	25	6 2	63-7610	Hose - Fuel	20	1 1
44-2670	Hose - Fuel	20	19 1	63-7610	Hose-Fuel	52	8 1
46-6550	Connector - Fuel Elbow 90°	20	21 1	63-7620	Hose-Fuel	52	4 1
46-6560	Grommet	20	22 2	63-7640	Unit - Sending	20	8 1
46-8091	Screw - Cap Hex. Hd.	2	43 4	63-7650	Fuel Filter Assembly	52	* 1
47-0110	Spacer - Spindle	34	4 1	63-7650	Fuel Filter Assembly	50	13 1
48-4220	Air Cleaner Assembly	50	4 1	63-7732	Cable - Brake R.H.	5	* 1
48-4220	Air Filter Assembly	51	* 1	63-7733	Cable - Brake L.H.	5	29 1
48-7430	Pre-Cleaner Assembly	51	* 1	63-7790	Screw - Cap Hex. Hd.	34	11 8
48-7700	Screw - Cap Hex. Hd.	34	17 1	63-7880	Pin - Brake Latch	5	28 1
48-7930	Nut - Lock	33	13 4	63-7900	Rack - Parking Brake	3	20 1
48-9570	Washer - Lock	33	6 2	63-8140	Pulley - Idler	34	43 1
48-9590	Washer - Lock	34	12 10	63-8280	Head-Filter, Fuel	52	2 1
48-9590	Washer - Lock	33	21 1	63-8290	Vent-Air	52	3 1
49-2040	Screw - Hex. Washer Hd.	17	25 4	63-8300	Element-Spin-On	52	7 1
49-2040	Screw - Hex. Washer Hd.	2	47 2	63-8310	Valve-Drain	52	6 1
49-2040	Screw - Thread Forming	56	2 10	63-8360	Key - Ignition	11	9 1
49-2040	Screw - Thread Forming	59	41 4	63-8410	Washer - Flat	20	26 3
49-6440	Plate - Traction Pedal	5	11 1	63-8410	Washer - Flat	13	37 3
52-1320	Decal - Fuel (English)	1	28 1	63-8610	Bedknife	63	24 1
52-2860	Washer - Flat	7	51 4	65-5100	Handle	1	5 2
53-8130	Gasket - Muffler	33	15 1	65-8320	Bar - Height-Of-Cut	77	1 1
53-8150	Pump Assembly	46	* 1	66-2320	Bracket - Engine L.H. Front	34	36 1
53-8150	Pump Assembly	43	21 1	66-2330	Base - Battery	50	30 1
54-8660	Washer	49	25 1	66-2490	Clamp - Battery	50	22 1
54-9040	Yoke - End	33	26 1	66-2920	Spacer - Throttle	6	31 2
54-9180	Kit - U-Joint	33	25 1	66-2940	Gauge - Fuel	11	1 1
55-4300	Decal - Warning (English)	56	33 3	66-2960	Cluster - Warning	11	7 1
55-4300	Decal - Warning (English)	58	37 2	66-3180	Tube - Vent	31	22 1
56-0020	Plug	39	24 3	66-3240	Cap - Radiator	31	8 1
56-0020	Plug - Expansion	40	18 1	66-5400	Seat Assembly	6	1 1
56-0020	Plug-Expansion	43	12 3	66-8121	Standpipe - Elbow 90°	20	20 1
56-0100	Plug - Taper	43	37 1	66-8520	Bumper-Downstop	8	17 2
56-0220	Pin - Dowel	43	35 2	66-8530	Adjuster	8	16 1
56-0480	Key - Woodruff	39	8 1	66-8560	Nut-Push	8	11 4
56-0480	Key - Woodruff	36	18 2	66-8610	Weldment-Lower	8	10 1
56-1060	Snap Ring	39	15 1	66-8800	Relay - Glow Plug	31	37 1
56-1230	Shaft - Oil Filter	43	28 1	66-9290	Spacer	8	15 6
56-1570	Bolt Set	48	8 1	66-9770	Seal	4	28 1
56-1580	Armature Set	48	23 1	66-9780	Bushing	4	29 1
56-1590	Bearing - Front	48	22 1	66-9850	Bolt-Special	4	36 4
56-1600	Bearing - Rear	48	21 1	66-9860	Upper Cover & Jacket	4	37 1
56-1610	Bolt	48	16 1	66-9870	Plate-Retaining	4	38 1
56-1640	Stopper Set	48	13 1	66-9880	Washer-Retaining Plate	4	39 1
56-1670	Gear	48	10 1	66-9890	Ring-Retaining	4	40 1
56-1680	Cover Set	48	9 1	66-9900	Shaft-Input	4	41 1
56-1700	Holder - Brush	48	18 1	66-9970	Spring Kit	4	* 1
56-1710	Spring - Brush	48	19 4	66-9980	Seal-Kit	4	* 1
56-1720	Bracket - Rear	48	17 1	66-9990	Needle Roller Kit	4	* 1
56-7974	Clamp - Tube	31	34 1	67-1630	Spacer - Fan	34	8 1
57-3210	Screw - Special	63	30 4	67-1690	Fitting - Fuel Elbow 90°	20	30 2
57-4910	Screw - Bedknife	63	25 7	67-1700	Decal - Starting Fluid	50	3 1
57-6390	Nut - Lock	34	27 2	67-1750	Bushing - Axle	72	7 2
61-2790	Screen - Filler	13	3 1	67-1750	Bushing - Sleeve	65	1 2
62-3820	Fitting - Grease	33	24 1	67-1750	Bushing - Sleeve	66	1 2
62-3880	Fitting - Grease	33	4 1	67-1750	Bushing - Sleeve	56	9 12
62-5550	Decal - TORO	1	1 1	67-1750	Bushing - Sleeve	58	25 8
62-5550	Decal - TORO	76	5 1	67-1751	Bushing - Sleeve	53	10 6
62-6280	Decal - ANSI (English)			67-2200	Seal	39	4 4
	(For Reference Only)	2	50 1	67-2210	Plug - Taper	43	36 3
62-6300	Sleeve Assembly	51	10 1	67-2230	Seal-Oil	43	14 1
62-7400	Decal - TORO	1	11 1	67-2250	Bolt	39	5 8
62-7650	Gasket - Sending Unit	20	7 1	67-2260	Shaft-Idler	43	34 1
63-6720	Bracket - Fan Idler	34	41 1	67-2270	Case - Oil Seal	43	15 1
63-6760	Throttle Cable Swivel Assy.	6	29 2	67-2280	Gasket-Seal, Oil	43	13 1
63-6890	Hinge - Hood R.H.	1	* 1	67-2290	Cover	43	10 1
63-6900	Hinge - Hood L.H.	1	15 1	67-2300	Gasket	43	9 1

*Not Illustrated

PART NUMBER INDEX (Continued)

3315-204

Part No.	Description	Pg. No.	Ref. No.	Qty.	Part No.	Description	Pg. No.	Ref. No.	Qty.
67-2310	Plate - Front	38	6	1	67-3080	Snap Ring	39	23	1
67-2320	Gasket - Plate	38	7	1	67-3090	Gear Assembly	39	13	1
67-2330	Bolt	42	3	2	67-3100	Retainer	36	32	6
67-2330	Bolt	43	16	6	67-3110	Spring	36	31	6
67-2330	Bolt	40	34	4	67-3120	Tappet	36	6	6
67-2330	Bolt	41	49	2	67-3130	Valve - Intake	36	28	3
67-2340	Bolt W/Washer	38	3	3	67-3140	Valve - Exhaust	36	29	3
67-2340	Bolt W/Washer	43	11	2	67-3150	Rod-Push	36	5	6
67-2340	Bolt W/Washer	40	17	4	67-3160	Arm-Rocker	36	1	6
67-2340	Screw - Hex. Washer Hd.	33	18	1	67-3170	Spring	37	40	2
67-2350	Plug - Expansion	43	25	1	67-3180	Cap	36	34	6
67-2360	Bushing - Knock	43	26	2	67-3190	Rocker Shaft Assembly	36	38	1
67-2370	Bushing - Knock	43	32	1	67-3200	Stay - Rocker	36	35	3
67-2380	Bushing - Knock	43	27	3	67-3210	Screw - Adjusting	36	4	6
67-2390	Plug - Taper	43	24	1	67-3220	Pin	36	37	1
67-2410	Bearing Set 0.25 mm US	39	*	1	67-3230	Nut - Jam	36	2	6
67-2420	Bearing Set 0.50 mm US	39	*	1	67-3240	Snap Ring	36	3	2
67-2430	Bracket - Starter	43	23	1	67-3250	Bolt-Rocker Stay	37	43	2
67-2440	Bolt W/Washer	43	22	3	67-3260	Washer	49	3	1
67-2480	Gasket - Oil Pan	38	17	1	67-3260	Washer	47	8	2
67-2500	Plunger - Relief	38	25	1	67-3260	Washer	37	41	3
67-2510	Spring - Relief	38	26	1	67-3280	Shim 0.2 mm	43	38	1
67-2520	Plug	38	28	1	67-3290	Shim 0.3 mm	43	*	1
67-2530	Gear - Inner	38	12	1	67-3300	Shim 0.5 mm	43	*	1
67-2540	Gear - Outer	38	11	1	67-3310	Shim 0.4 mm	43	*	1
67-2550	Housing - Oil Pump	38	10	1	67-3320	Shim 0.6 mm	43	*	1
67-2560	Bolt W/Washer	38	9	3	67-3330	Shim 0.7 mm	44	38	1
67-2570	Plug - Taper	40	19	1	67-3340	Shim 0.8 mm	44	*	1
67-2570	Plug - Taper	38	29	1	67-3350	Shim 0.9 mm	44	*	1
67-2580	Gasket - Case	38	2	1	67-3360	Shim 1.0 mm	44	*	1
67-2590	Seal - Oil	38	23	1	67-3370	Bolt W/Washer	44	39	4
67-2600	Bolt	42	5	1	67-3380	Nozzle & Holder Assembly	43	6	1
67-2600	Bolt	38	21	3	67-3380	Nozzle and Holder Assembly	46	*	3
67-2610	Bolt	42	9	2	67-3390	Gasket - Nozzle Holder	43	7	3
67-2610	Bolt	38	22	4	67-3400	Pipe Assy. No. 1	44	42	1
67-2620	Bolt	38	24	1	67-3410	Pipe Assy. No. 2	44	43	1
67-2630	Seal - O-Ring	38	20	2	67-3420	Pipe Assy. No. 3	43	1	1
67-2640	Cap	38	30	1	67-3430	Nut	43	2	3
67-2650	Cap - Oil Filler	40	11	1	67-3440	Gasket	43	4	3
67-2650	Oil Fill Cap Assembly	38	32	1	67-3460	Housing-Pump	45	9	1
67-2660	Seal - O-Ring	40	10	1	67-3480	Seal - O-Ring	45	4	3
67-2660	Seal - O-Ring	38	31	1	67-3490	Spring	45	5	3
67-2670	Hose - Breather	40	8	1	67-3500	Valve	45	7	3
67-2680	Hanger -Engine	40	16	2	67-3520	Sleeve	45	10	3
67-2700	Guide - Valve	40	42	6	67-3530	Seat - Spring Upper	45	11	3
67-2710	Cap - Sealing	40	41	3	67-3540	Spring	45	12	3
67-2730	Bolt	40	43	8	67-3550	Seat - Spring Lower	45	13	3
67-2740	Bolt - Flange	40	15	3	67-3560	Plate - Shim 1.85 mm	45	14	1
67-2750	Cover Assembly	40	6	1	67-3570	Plate - Shim 1.9 mm	45	*	1
67-2760	Gasket	40	14	1	67-3580	Plate - Shim 1.95 mm	45	*	1
67-2770	Nut - Cap	40	12	2	67-3590	Plate - Shim 2.0 mm	45	*	1
67-2780	Washer	40	13	2	67-3600	Plate - Shim 2.05 mm	45	*	1
67-2850	Rod Assembly-Connecting	36	9	3	67-3610	Plate - Shim 2.1 mm	45	*	1
67-2860	Bolt	36	12	6	67-3620	Plate - Shim 2.15 mm	45	*	1
67-2890	Bearing Set 0.25 mm US	36	*	3	67-3630	Plate -Shim 2.2 mm	45	*	1
67-2900	Bearing Set 0.50 mm US	36	*	3	67-3640	Plate - Shim 2.25 mm	45	*	1
67-2910	Gear	36	7	1	67-3650	Plate - Shim 2.3 mm	45	14	1
67-2920	Crankshaft	36	16	1	67-3660	Plate - Shim 2.35 mm	45	*	1
67-2930	Pulley - Crankshaft	36	19	1	67-3670	Plate - Shim 2.4 mm	45	*	1
67-2940	Nut - Jam	36	22	1	67-3680	Plate - Shim 2.45 mm	45	*	1
67-2950	Washer	36	20	1	67-3690	Plate - Shim 2.5 mm	45	*	1
67-2960	Washer - Lock	36	21	1	67-3700	Tappet	45	15	3
67-2970	Flywheel Assembly	36	13	1	67-3710	Screw - Air Bleed	45	24	1
67-2980	Gear - Ring	36	15	1	67-3720	Washer	45	23	1
67-2990	Bolt	36	14	4	67-3730	Screw	45	22	1
67-3000	Washer	39	10	2	67-3740	Holder-Delivery Valve	45	3	3
67-3010	Cam Shaft	39	7	1	67-3740	Nipple - Swivel	45	21	1
67-3020	Gear	39	12	1	67-3750	Washer	45	20	2
67-3030	Bearing	39	9	2	67-3760	Plate - Lock	45	2	3
67-3040	Plate	39	14	1	67-3770	Screw W/Washer	45	1	3
67-3050	Bearing	39	22	1	67-3780	Rack	45	19	1
67-3060	Shaft	39	21	1	67-3790	Screw	45	17	2
67-3070	Gear	39	17	1	67-3800	Bracket - Wire Stop	45	18	1

*Not Illustrated

PART NUMBER INDEX (Continued)

Part No.	Description	Pg. No.	Ref. No.	Qty.	Part No.	Description	Pg. No.	Ref. No.	Qty.
67-3810	Pin - Tappet Guide	45	16	3	67-4630	Alternator Assembly	49	1	1
67-3830	Washer 1.25 mm	45	31	1	67-4640	Bolt	49	22	1
67-3840	Washer 1.3 mm	46	31	1	67-4660	Bolt - Flange	49	26	1
67-3850	Washer 1.35 mm	46	*	1	67-4670	Nut	49	2	1
67-3860	Washer 1.4 mm	46	*	1	67-4680	Plug - Glow	40	39	3
67-3870	Washer 1.45 mm	46	*	1	67-4690	Plate - Glow Plug	40	40	1
67-3880	Washer 1.5 mm	46	*	1	67-4700	Lamp - Glow	40	27	1
67-3890	Washer 1.55 mm	46	*	1	67-4700	Resistor - Glow	31	44	1
67-3900	Washer 1.6 mm	46	*	1	67-4720	Lever	48	4	1
67-3910	Washer 1.65 mm	46	31	1	67-4730	Spring Set	48	5	1
67-3920	Washer 1.7 mm	46	*	1	67-4750	Switch	48	7	1
67-3930	Spring	45	30	3	67-4760	Shaft Assembly	48	15	1
67-3940	Pin - Pressure	45	29	3	67-4770	Pinion Set	48	14	1
67-3950	Piece - Distance	45	28	3	67-4780	Gear Set	48	12	1
67-3960	Nozzle	45	27	3	67-4790	Shaft	48	11	1
67-3970	Nut - Retaining	45	25	3	67-4800	Yoke	48	20	1
67-3980	Gasket	45	26	3	67-4810	Pulley Set	49	16	1
67-3990	Lever - Speed Control	47	1	1	67-4820	Bolt Set	49	20	1
67-4000	Pin	47	2	2	67-4830	Front Bracket Assembly	49	15	1
67-4010	Stopper	47	15	1	67-4840	Screw Set	49	18	1
67-4030	Rod - Tie	47	23	1	67-4850	Bearing - Front	49	19	1
67-4040	Weight Assembly	47	13	1	67-4860	Rotor Assembly	49	7	
67-4050	Shaft - Governor	47	19	1	67-4870	Bearing - Rear	49	6	1
67-4060	Lever - Governor	47	18	1	67-4880	Stator	49	10	1
67-4070	Shaft - Sliding	47	16	1	67-4890	Rear Cover Assembly	49	9	1
67-4080	Clip	47	24	1	67-4900	Terminal Set	49	11	1
67-4090	Lever - Tension	47	21	1	67-4910	Regulator Assembly	49	12	1
67-4110	Cover Assembly	47	*	1	67-4920	Brush	49	13	2
67-4120	Pin - Grooved	47	35	1	67-4930	Rectifier	49	8	1
67-4130	Cover - Governor	47	4	1	67-5040	Spring	47	20	1
67-4140	Lever - Stop	47	11	1	67-5100	Sleeve - Connector	6	22	2
67-4150	Lever - Stop	47	40	1	67-5110	Screw - Special	6	21	2
67-4160	Gasket	47	5	1	67-5120	Washer - Spring	6	23	2
67-4170	Spring Set	47	*		67-5130	Washer - Flat	6	24	2
67-4180	Nut	47	31	1	67-5140	Washer - I.T.L.W.	6	25	2
67-4190	Spring - Torque	47	28	1	67-5150	Nut - Hex.	6	26	2
67-4200	Nut - Special	47	30	1	67-7160	Block - Fuse	11	21	1
67-4210	Case - Torque Spring	47	26	1	67-7250	Spacer - Cylinder	53	13	1
67-4220	Screw - Adjusting	47	29	1	67-7960	Decal - Warning	72	3	1
67-4230	Stopper	47	27	1	67-7960	Decal - Warning (English)	65	20	1
67-4270	Bolt	47	3	4	67-7960	Decal - Warning (English)	66	20	1
67-4280	Bolt W/Washer	47	17	1	67-9410	Washer - Thrust	53	29	2
67-4290	Nut	47	34	4	67-9550	Kit - Seat Cushion	6	45	1
67-4310	Gasket	36	23	1	67-9560	Shell - Seat	6	2	1
67-4330	Oil Filter Assembly	44	40	1	68-5140	Cap - Steering Wheel	3	7	1
67-4340	Screen Assembly	43	31	1	68-5370	Decal - TORO	3	5	1
67-4350	Switch - Oil Pressure	42	8	1	68-6150	Breather - Hydraulic Tank	13	2	1
67-4360	Pulley - Water Pump	42	1	1	69-0760	Bracket - Armrest L.H.	74	*	1
67-4380	Water Pump Assembly	42	6	1	69-0770	Bracket - Armrest R.H.	74	4	1
67-4390	Gasket - Water Pump	42	7	1	69-1180	Armrest	74	1	2
67-4400	Bolt	40	1	2	69-1260	Spacer	74	6	4
67-4400	Bolt	42	4	1	69-4120	Cartridge Assembly N.C.	16	25	2
67-4410	V-Belt	42	2	1	69-4240	Seal Kit	16	26	2
67-4420	Fitting - Water	41	46	1	69-4290	Solenoid Coil Assembly	16	4	9
67-4430	Gasket - Fitting	41	45	1	69-4300	Nut	16	1	9
67-4440	Thermostat	40	38	1	69-4320	Fitting - Hydraulic 90°	15	25	1
67-4450	Fitting - Thermostat	40	32	1	69-4780	Clamp - Hour Meter	11	42	1
67-4460	Gasket - Switch	40	31	1	70-2780	Piston	60	4	1
67-4470	Bolt	40	33	1	70-2780	Piston	62	4	1
67-4480	Pipe - By-Pass	40	37	1	70-8220	Cable - Ground	34	31	1
67-4490	Gasket	40	30	1	70-8460	Fuel Pump Assembly	20	2	1
67-4500	Switch - Thermo	40	29	1	70-8530	Wire - Fuel Pump	20	28	1
67-4510	Gauge Nut - Temperature	40	35	1	70-8560	Retainer - Glow Resistor	31	45	1
67-4520	Pipe	40	2	1	70-8570	Breaker - Circuit	10	2	2
67-4530	Cover - Intake	40	5	1	70-8620	Cap - Fuel Tank (Green)	20	23	1
67-4540	Seal - O-Ring	40	3	1	70-8621	Cap - Fuel Tank (Black)	20	*	1
67-4550	Gasket-Intake Manifold	40	44	1	70-8640	Cap - Hydraulic Reservoir	13	8	1
67-4560	Manifold - Exhaust	40	24	1	70-8700	Pipe - Fuel Return	43	3	1
67-4570	Gasket - Exhaust Manifold	40	26	1	70-8720	Spring - Tie Rod	47	22	1
67-4580	Bolt	40	22	2	70-8760	Starter Assembly	48	1	1
67-4590	Bolt	40	23	4	70-8770	Bracket - Front	48	3	1
67-4610	Bolt W/Washer	48	2	2	70-8780	Bracket - Center	48	6	1
67-4620	Spacer	49	21	1	70-8870	Guide - Oil Level	43	8	1

*Not Illustrated

PART NUMBER INDEX (Continued)

3315-204

Part No.	Description	Pg. Ref. No. No. Qty.	Part No.	Description	Pg. Ref. No. No. Qty.
70-8880	Dipstick	43 5 1	75-0370	O-Ring	26 29 1
71-1520	Cap - Expansion Tank	50 7 1	75-0380	Plate - Valve	26 15 1
71-2910	Bracket - Engine R.H. Rear	34 10 1	75-0390	Plate - Swash	26 12 1
71-4330	Seal	24 41 1	75-0400	Plate - Thrust	26 13 2
71-4350	Nut	23 20 1	75-0410	O-Ring	26 3 1
72-3570	Shim .094 - Diff. Adjust.	23 22 A/R	75-0430	Ring - Retaining	26 1 1
72-3571	Shim .096 - Diff. Adjust.	23 * A/R	75-0440	Shaft - Motor	26 45 1
72-3572	Shim .098 - Diff. Adjust.	23 * A/R	75-0450	Collar	27 50 1
72-3573	Shim .100 - Diff. Adjust.	23 22 A/R	75-0460	Bearing - Ball	27 51 2
72-3574	Shim .102 - Diff. Adjust.	23 * A/R	75-0470	Cylinder Block Kit	26 14 2
72-3575	Shim .104 - Diff. Adjust.	23 * A/R	75-0480	Pin	26 10 2
72-3576	Shim .106 - Diff. Adjust.	23 * A/R	75-0490	Plate - Valve	26 44 1
72-3577	Shim .108 - Diff. Adjust.	23 * A/R	75-0500	Bearing - Needle	26 16 2
72-3578	Shim .110 - Diff. Adjust.	23 * A/R	75-0510	Pin	26 17 2
72-3580	Shim .112 - Diff. Adjust.	23 * A/R	75-0520	Bearing - Ball	26 4 1
72-3581	Shim .114 - Diff. Adjust.	23 * A/R	75-0540	Tether - Cap	13 7 1
72-3582	Shim .116 - Diff. Adjust.	23 * A/R	75-0550	Strainer - Suction	13 29 1
72-3583	Shim .118 - Diff. Adjust.	23 * A/R	75-0560	Wheel - Steering	3 4 1
72-3584	Shim .120 - Diff. Adjust.	23 * A/R	75-0570	Cable - Hood	1 14 1
72-3585	Shim .125 - Diff. Adjust.	23 * A/R	75-0580	Panel - Tower	3 10 1
72-3586	Shim .127 - Diff. Adjust.	23 * A/R	75-0590	Panel - Control	11 14 1
72-3587	Shim .129 - Diff. Adjust.	23 * A/R	75-0600	Steering Valve Assembly	3 26 1
72-3588	Shim .131 - Diff. Adjust.	23 * A/R	75-0600	Valve - Power Steering	4 * 1
72-3590	Shim .133 - Diff. Adjust.	23 * A/R	75-0610	Tread - Foot R.H.	2 * 1
72-3591	Shim .135 - Diff. Adjust.	23 * A/R	75-0620	Tread - Foot L.H.	2 37 1
72-3592	Shim .137 - Diff. Adjust.	23 * A/R	75-0630	Tread - Foot Center	2 40 1
72-3593	Shim .139 - Diff. Adjust.	23 * A/R	75-0640	Tread - Footrest R.H.	2 * 1
72-3594	Shim .141 - Diff. Adjust.	23 * A/R	75-0650	Tread - Footrest L.H.	2 36 1
72-3595	Shim .143 - Diff. Adjust.	23 * A/R	75-0660	Decal - Reelmasterr 223D	1 8 2
72-3596	Shim .145 - Diff. Adjust.	23 * A/R	75-0670	Decal - Hood Trim L.H.	1 12 1
72-3597	Shim .147 - Diff. Adjust.	23 * A/R	75-0680	Decal - Hood Trim R.H.	1 * 1
72-3598	Shim .149 - Diff. Adjust.	24 22 A/R	75-0720	Housing - Lower	24 34 1
72-3600	Shim .151 - Diff. Adjust.	24 * A/R	75-0730	Decal - Instructions	2 48 1
72-3620	Gear & Pinion Assembly	24 * 1	75-0750	Decal - Backlap Switch	31 41 1
72-4380	Seal Kit	64 * 1	75-0760	Decal - Solenoid Info.	6 40 1
72-6140	Cover - Rear	49 27 1	75-0800	Gear Pump Assembly	29 18 1
74-0720	Tube - Manual	6 10 1	75-0810	Decal - Caution (English)	22 48 2
74-5520	Clutch - Fan	35 53 1	75-0890	Hood	1 6 1
74-5950	Swell Latch Assembly	1 21 3	75-0900	Engine Assembly	34 22 1
74-9100	Pad - Forward	5 12 1	75-0920	Relief Cartridge Assembly	16 28 1
74-9110	Pad - Reverse	5 14 1	75-0930	Hook - Oil Cooler	32 50 4
75-0010	Transmission Assembly	21 9 1	75-0940	Guard - Flywheel	33 22 1
75-0020	Housing	26 5 1	75-1010	Toggle Switch Assembly	11 16 1
75-0030	Gasket - Housing	26 46 1	75-1020	Switch - Backlap	31 38 1
75-0040	Center Section	26 18 1	75-1040	Cooler - Oil	31 2 1
75-0060	Plug	26 20 4	75-1070	Muffler	33 11 1
75-0070	Plug	26 41 1	75-1080	Tank - Fuel	20 24 1
75-0090	Screw - Cap Hex Hd.	26 9 8	75-1100	Support - Rear Axle	53 4 1
75-0110	Screw - Cap Hex Hd.	26 35 2	75-1170	Reservoir - Hydraulic	13 1 1
75-0120	Screw - Cap Hex Hd.	26 28 1	75-1180	Manifold	18 7 2
75-0130	Screw - Cap Hex Hd.	26 24 3	75-1180	Manifold - Hydraulic	17 21 1
75-0140	Spring - Conical	26 26 1	75-1190	Manifold - Hydraulic	17 18 1
75-0150	Guide - Seal	26 2 1	75-1200	Hydraulic Cylinder Assembly	54 47 1
75-0170	Plug - Straight Thread	26 19 4	75-1210	Nut - Lock	55 2 1
75-0180	Screw - Cap Hex Hd.	26 36 2	75-1220	Piston	55 3 1
75-0190	Plug - Special	26 27 2	75-1230	Piston Rod Assembly	55 5 1
75-0200	Plug - Straight Thread	26 38 2	75-1250	Seal Kit	55 6 1
75-0210	O-Ring	26 6 2	75-1260	Head - Internal	55 4 1
75-0220	Pin	27 48 2	75-1270	Repair Kit	64 * 1
75-0230	Seal - Lip	26 8 1	75-1280	Decal - Warning (English)	1 22 1
75-0240	O-Ring	26 21 6	75-1290	Bearing	72 5 4
75-0250	Spring	26 22 1	75-1290	Bearing Assembly	65 14 2
75-0260	Valve - Relief	26 23 4	75-1290	Bearing Assembly	66 14 2
75-0270	Spring	26 39 1	75-1300	Hydraulic Filter Head Assy.	13 31 1
75-0280	Spring	26 42 1	75-1310	Element - Hydraulic Filter	13 34 1
75-0290	Spring	26 43 1	75-1330	Filter - Oil	21 27 1
75-0300	Valve - SCR	26 25 1	75-1350	Cable - Throttle	6 20 1
75-0310	Shim	26 40 1	75-1360	Cable - Battery (Ground)	34 20 1
75-0320	Nipple	26 37 1	75-1370	Battery Cable Assy. (+)	50 17 1
75-0330	Seal - Lip	26 34 1	75-1380	Belt - V	34 44 1
75-0340	Bearing - Needle	26 33 1	75-1390	Panel - Access	2 39 1
75-0350	Pin	26 31 1	75-1400	Motor - Hydraulic	19 21 5
75-0360	Gerotor	26 30 1	75-1400	Reel Motor Assembly	63 29 1

*Not Illustrated

PART NUMBER INDEX (Continued)

Part No.	Description	Pg. Ref. No. No. Qty.	Part No.	Description	Pg. Ref. No. No. Qty.
75-1410	Panel - Floor	2 41 1	75-3540	Pin-Roll	8 6 1
75-1420	Cover - Steering Tower	1 2 1	75-3550	Bumper-Seat	8 7 2
75-1430	Brake Pedal Assembly R.H.	5 35 1	75-3580	Plate-Mounting, Seat	8 2 1
75-1440	Pedal - Brake L.H.	5 33 1	75-3680	Rod - Seat	6 18 1
75-1470	Shaft - Brake Pedal	5 36 1	75-3710	Dipstick	13 4 1
75-1490	Rod - Parking Brake	3 13 1	75-3750	Pin - Pivot	58 38 2
75-1520	Assembly - Roller, Wiehle	73 43 1	75-3780	Fan	35 52 1
75-1520	Wiehle Roller Assembly	65 15 1	75-3790	Clevis W.A.	60 12 1
75-1520	Wiehle Roller Assembly	66 15 1	75-3810	Bracket - Roller	58 11 2
75-1560	Deflector - Rear	63 9 1	75-3840	Fender - R.H.	1 3 1
75-1600	Carrier Frame Assembly	65 3 1	75-3860	Fender - L.H.	1 29 1
75-1600	Carrier Frame Assembly	66 3 1	75-3880	Plate - Seat	6 15 1
75-1610	Bracket - HOC Rear R.H.	65 * 1	75-3920	Guide - Basket	67 12 1
75-1610	Bracket - HOC Rear R.H.	66 * 1	75-3930	Pin - Basket	67 4 2
75-1620	Bracket - HOC Rear L.H.	65 7 1	75-3940	Collar - Basket	67 10 1
75-1620	Bracket - HOC Rear L.H.	66 7 1	75-3950	Bracket - Basket	67 11 1
75-1710	Support	72 1 1	75-3960	Spring - Torsion L.H.	67 * 1
75-1710	Support - Cutting Unit	65 19 1	75-3970	Spring - Torsion R.H.	67 9 1
75-1710	Support - Cutting Unit	66 19 1	75-4010	Basket - Grass	67 1 1
75-1720	Flap - Rear Shield	63 11 2	75-4020	Support - Basket Inner R.H.	67 * 1
75-1740	Spring - Scraper	70 2 2	75-4030	Support - Basket Inner L.H.	67 3 1
75-1750	Scraper - Roller	70 1 1	75-4040	Support - Basket Outer L.H.	67 15 1
75-1840	Assembly - Shield, Grass	73 50 1	75-4050	Support - Basket Outer R.H.	67 * 1
75-1840	Shield - Grass	63 5 1	75-4060	Screen - Radiator	31 1 1
75-1960	Bracket - HOC Front R.H.	65 * 1	75-4080	Plate - Traction	28 15 1
75-1960	Bracket - HOC Front R.H.	66 * 1	75-4090	Switch Arm Assembly	28 21 1
75-1980	Bracket - HOC Front L.H.	65 13 1	75-4100	Control - Pump	28 25 1
75-1980	Bracket - HOC Front L.H.	66 13 1	75-4130	Plate - Switch	28 7 1
75-2010	Relief Cartridge Assembly	16 29 1	75-4180	Pin - Rear Axle Pivot	54 44 1
75-2020	Solenoid Assembly	16 36 2	75-4220	Bracket - Fan	34 40 1
75-2030	Solenoid Assembly N.O.	16 27 2	75-4250	Bracket - Expansion Tank	50 23 1
75-2040	Solenoid Assembly N.C.	16 8 1	75-4260	Support - Radiator	31 5 1
75-2050	Solenoid Assembly N.C.	16 24 3	75-4310	Shield - Radiator	31 30 1
75-2060	Rotary Cartridge Assembly	16 23 2	75-4350	Shroud - Fan	31 12 1
75-2070	Plug - Orifice	16 31 2	75-4360	Bracket - Switch	6 8 1
75-2080	Seal Kit	16 7 10	75-4370	Bracket - Switch (Seat)	6 3 1
75-2090	Seal Kit	16 35 3	75-4400	Adaptor - Transmission	29 8 1
75-2120	Clevis W.A.	62 12 1	75-4410	Pivot Plate Assembly	54 42 1
75-2150	Control Manifold Assembly	15 6 1	75-4420	Spindle - Rear R.H.	53 * 1
75-2160	Bearing - Flange	65 18 2	75-4440	Spindle - Rear L.H.	53 15 1
75-2160	Bearing - Flange	66 18 2	75-4450	Hub - Fan Drive	34 6 1
75-2160	Bushing - Flange	72 2 2	75-4490	Bracket - Muffler	33 16 1
75-2170	Tube - Pump Control	5 37 1	75-4520	Spring - Torsion R.H.	58 29 1
75-2240	Hose - Radiator Upper	31 18 1	75-4530	Spring - Torsion L.H.	58 * 1
75-2260	Hose - Radiator Lower	31 21 1	75-4550	Shaft - Center Arm Pivot	56 27 1
75-2430	Coupling - Transmission	29 7 1	75-4590	Rod - Pivot	58 28 2
75-2460	Hose - Air Cleaner	50 1 1	75-4630	Coupling - Driveshaft	33 7 1
75-2460	Hose - Air Cleaner	34 15 1	75-4650	Bracket - Spring Rear L.H.	58 * 1
75-2810	Clamp - Steering Valve	3 3 1	75-4690	Bracket - Spring Rear R.H.	58 6 1
75-2820	Grill - Hood	1 7 1	75-4700	Hose - Fuel	20 13 1
75-2830	Bracket - Engine L.H. Rear	34 28 1	75-4701	Hose - Fuel	20 15 1
75-2850	Hose - Expansion Tank	50 9 1	75-4701	Hose - Fuel Vent	31 24 1
75-2850	Hose - Expansion Tank	31 10 1	75-4710	Harness - Warning Light	11 * 1
75-2860	Bracket - Hose	31 31 1	75-4710	Harness - Wire	11 * 1
75-2860	Bracket - Hose	1 35 1	75-4720	Fitting - Hydraulic 90°	21 23 1
75-2900	Rear Axle Assembly	54 45 1	75-4900	Bearing Set STD	39 3 1
75-2970	Pedal - Traction	5 13 1	75-4910	Oil Pan Assembly	38 14 1
75-3010	Joint - Arm	58 31 2	75-4920	Case	38 1 1
75-3010	Joint - Arm	57 54 3	75-4930	Cylinder Head Assembly	40 28 1
75-3040	Carrier Frame Assembly	57 44 1	75-4940	Brace - Alternator	49 23 1
75-3100	Transmission Support Assy.	21 7 1	75-4950	Gasket - Cylinder Head	40 25 1
75-3110	Collar - Transmission	21 8 1	75-4960	Block Assembly	39 1 1
75-3130	Rod - Tie	53 37 2	75-4970	Element	45 8 3
75-3140	Bracket - Air Cleaner	50 25 1	75-4980	Lever - Governor Spring	47 7 1
75-3270	Lever - Traction Pivot	5 8 1	75-4990	Spring - Governor	47 25 1
75-3300	Frame - Seat	6 27 1	75-5000	Body	46 32 3
75-3390	Bracket - Backlap	31 39 1	75-5010	Bearing Set STD	36 8 3
75-3400	Shaft - Seat Pivot	6 14 1	75-5020	Injector Pump Assembly	44 41
75-3420	Lift Control Assembly	11 37 1	75-5040	Gasket Kit	38 * 1
75-3430	Rod - Throttle	6 34 1	75-5050	Ring Set STD	36 11 3
75-3480	Weldment-Upper	8 23 1	75-5060	Ring Set 0.25 mm OS	36 * 3
75-3510	Bolt-Shoulder	8 26 2	75-5070	Ring Set 0.50 mm OS	36 * 3
75-3530	Spring-Compression	8 3 1	75-5080	Piston & Pin Set STD	36 10 3

*Not Illustrated

PART NUMBER INDEX (Continued)

3315-204

Part No.	Description	Pg. No.	Ref. No.	Qty.	Part No.	Description	Pg. No.	Ref. No.	Qty.
75-5090	Piston & Pin Set	36	*	3	75-6080	Hose - Hydraulic L.H. (Rod)	58	*	1
75-5100	Piston & Pin Set	36	*	3	75-6100	Hose - Hydraulic	19	12	1
75-5110	Cover Assy.	36	24	1	75-6110	Hose - Hydraulic	19	9	1
75-5120	Gasket	37	45	1	75-6120	Hose - Hydraulic	19	11	1
75-5160	Plate - Support	32	56	2	75-6120	Hose - Hydraulic	15	15	1
75-5190	Decal - No Riders (English)	1	25	2	75-6130	Hose - Hydraulic	13	9	1
75-5200	Bracket - Spring R.H.	56	*	1	75-6140	Hose - Hydraulic	13	30	1
75-5210	Bracket - Spring Center	56	16	1	75-6140	Hose - Hydraulic R.H.	31	46	1
75-5220	Bracket - Spring L.H.	56	*	1	75-6150	Hose - Hydraulic	21	15	1
75-5240	Tube - Hydraulic	29	12	1	75-6150	Hose - Hydraulic	31	20	1
75-5240	Tube - Hydraulic	15	38	1	75-6160	Hose - Hydraulic	15	21	1
75-5250	Tube - Hydraulic	29	13	1	75-6160	Hose - Hydraulic L.H.	31	*	1
75-5250	Tube - Hydraulic	15	39	1	75-6170	Hose - Hydraulic	21	11	1
75-5260	Knob - Locking	6	38	2	75-6170	Hose - Hydraulic	31	17	1
75-5270	Spacer - Locking Knob	6	37	2	75-6180	Hose - Hydraulic	18	1	2
75-5300	Rod - Hose Support	17	24	2	75-6180	Hose - Hydraulic R.H.	58	16	2
75-5300	Rod - Hose Support	57	63	1	75-6190	Hose - Hydraulic	19	8	1
75-5310	Spacer - Bearing	34	5	1	75-6200	Hose - Hydraulic	17	12	1
75-5330	Clamp - Hose	56	8	3	75-6200	Hose - Hydraulic	13	21	1
75-5330	Clamp - Hydraulic Line	59	42	2	75-6220	Hose - Hydraulic	53	34	1
75-5350	Pin - Cylinder Rod End	58	22	2	75-6220	Hose - Hydraulic LT	3	24	1
75-5350	Pin - Cylinder Rod End	56	31	3	75-6230	Hose - Hydraulic	53	*	1
75-5360	Pin - Cylinder Cap End	59	39	2	75-6230	Hose - Hydraulic RT	3	18	1
75-5370	Mount - Clamp	56	36	1	75-6240	Hose - Hydraulic	29	14	1
75-5380	Bracket - Clamp	56	38	1	75-6240	Hose - Hydraulic IN	3	19	1
75-5390	Roller	58	14	2	75-6250	Hose - Hydraulic	13	17	1
75-5400	Shaft - Roller	58	13	2	75-6250	Hose - Hydraulic OUT	3	25	1
75-5410	Bracket - Arm	57	53	2	75-6260	Cover - Tool Box	1	23	1
75-5420	Lift Arm Assembly Center	56	40	1	75-6270	Cover - Control Box	11	15	1
75-5430	Lift Arm Assy. Rear L.H.	58	*	1	75-6280	Bracket - Hose	2	46	1
75-5440	Lift Arm Assy. Rear R.H.	58	23	1	75-6290	Radiator	31	7	1
75-5450	Lift Arm Assembly R.H.	56	1	1	75-6300	Sensor - Reed Switch	56	12	1
75-5460	Lift Arm Assembly L.H.	56	32	1	75-6310	Magnet - Reed Switch	57	51	1
75-5470	Spacer	28	12	2	75-6320	Sensor - Switch	6	6	1
75-5480	Manifold - Tank	13	14	1	75-6330	Magnet - Switch	6	5	1
75-5720	Hose - Hydraulic	13	19	1	75-6340	Strainer - In-Line	21	35	1
75-5740	Box - Control	11	24	1	75-6350	Hose	21	25	1
75-5810	Box - Tool	1	26	1	75-6370	Cover - Sensor	57	49	1
75-5880	Hose - Hydraulic	56	6	1	75-6380	Shaft - Fan	34	1	1
75-5890	Hose - Hydraulic	17	7	1	75-6390	Pulley - Fan	34	3	1
75-5890	Hose - Hydraulic	56	28	2	75-6410	Yoke - Shaft	33	2	1
75-5890	Hose - Hydraulic	15	35	1	75-6420	Yoke - Slip Tube	33	3	1
75-5900	Hose - Hydraulic	15	30	1	75-6490	Lever - Pedal Stop	5	20	1
75-5900	Hose - Hydraulic	57	47	1	75-6510	Lever - Bracket	5	16	1
75-5910	Hose - Hydraulic	17	8	1	75-6550	Disc - Friction	5	17	1
75-5910	Hose - Hydraulic	57	60	1	75-6580	Cable - Pedal	5	7	1
75-5940	Hose - Hydraulic	17	6	1	75-6640	Fitting - Hydraulic 90°	15	20	2
75-5940	Hose - Hydraulic AUX	3	23	1	75-6660	Cutting Unit Frame Assy.	65	10	1
75-5950	Hose - Hydraulic	15	16	1	75-6660	Cutting Unit Frame Assy.	66	10	1
75-5950	Hose - Hydraulic	17	20	1	75-6660	Frame - Cutting Unit	63	27	1
75-5960	Hose - Hydraulic	19	16	1	75-6710	Decal - Fast/Slow	5	18	1
75-5960	Hose - Hydraulic	17	22	1	75-6820	Meter - Hour	11	47	1
75-5970	Hose - Hydraulic	19	20	1	75-6830	Decal - Danger (English)	7	49	1
75-5970	Hose - Hydraulic	17	23	1	75-6840	Knob - Knurled	2	38	4
75-5980	Hose - Hydraulic	17	1	1	75-6850	Tube - Oil Fill	21	40	1
75-5980	Hose - Hydraulic	19	5	1	75-6870	Hose - Hydraulic Suction	13	28	1
75-5990	Hose - Hydraulic	19	17	1	75-6870	Hose - Suction	29	1	1
75-5990	Hose - Hydraulic	15	37	1	75-6880	Screen - Spark Arrester	33	*	1
75-6000	Hose - Hydraulic	15	4	1	75-6910	Solenoid Assembly	16	37	1
75-6000	Hose - Hydraulic	19	6	1	75-6930	Valve - SCR	27	52	1
75-6010	Hose - Hydraulic	19	15	1	75-7540	Decal - Warning (English)	2	49	1
75-6020	Hose - Hydraulic	17	11	1	76-1910	Shaft-Pivot	8	12	2
75-6020	Hose - Hydraulic	18	15	1	76-1920	Bushing-Sleeve	8	9	4
75-6030	Hose - Hydraulic	19	1	1	76-1930	Knob-Tension Adjustment	8	19	1
75-6040	Hose - Hydraulic	19	10	1	76-1940	Spring-Extension	8	14	2
75-6040	Hose - Hydraulic	15	27	1	76-2460	Assembly - Bearing	72	35	2
75-6050	Hose - Hydraulic	19	14	1	76-2940	Bumper-Rubber	8	8	2
75-6050	Hose - Hydraulic	15	24	1	76-2970	Bushing - Sleeve	54	43	2
75-6060	Hose - Hydraulic	18	12	1	76-2980	Washer - Thrust	53	41	1
75-6060	Hose - Hydraulic	15	33	1	76-8640	Stud - Traction	28	23	1
75-6060	Hose - Hydraulic	18	14	1	76-8730	Decal - Bolt Torque	21	22	2
75-6070	Hose - Hydraulic	58	*	1	76-8750	Plate - Caution	31	14	1
75-6070	Hose - Hydraulic L.H. (Cap)	18	13	1	76-9430	Spring - Extension	28	8	1

*Not Illustrated

PART NUMBER INDEX (Continued)

Part No.	Description	Pg. No.	Ref. No.	Qty.	Part No.	Description	Pg. No.	Ref. No.	Qty.
77-0340	Screw - Spline	63	28	1	85-4330	Cover - Gear	21	4	1
77-0340	Screw - Spline	73	53	1	85-4340	Plate - Sensor Mounting	22	52	1
77-0490	Decal - Bolt (English)	21	20	1	85-4350	Sensor - Gear Tooth	21	44	1
77-2870	Weldment-Hanger	8	18	1	85-4360	Harness - Wire Main	10	1	1
80-4860	Pin-Clevis	8	1	1	85-4400	Controller - Electronic	11	31	1
82-6490	Hose - Hydraulic	57	65	1	85-4420	Gauge - Speedometer	11	2	1
82-6510	Support H.O.C. - Right	73	45	1	85-4450	Bracket - Fuse Block	11	23	1
82-6530	Support H.O.C. - Left	72	41	1	85-4600	Frame Assembly	1	32	1
82-6540	Frame W.A. - Carrier	72	8	1	85-4720	Decal - Instruction	11	27	1
82-6570	Shaft - Reel	73	46	1	85-4730	Decal - Hydraulic Oil	1	4	1
82-6600	Spacer	73	42	23	85-4730	Decal - Oil	17	26	1
82-6630	Bracket - H.O.C. RH	72	4	1	85-4750	Box - Diagnostic-ACE	9	1	1
82-6650	Bracket - H.O.C. LH	72	20	1	85-4820	Decal - Diagnostic-ACE	9	2	1
82-6680	Assembly - Roller, Rear	72	15	1	85-4830	Decal - Diagnostic Light	11	29	1
82-6710	Assembly - Frame W.A.	73	51	1	85-7180	Shaft - Roller	66	24	1
82-6740	Assy. - Scraper, Rear	72	9	1	85-7190	Washer - Shield	66	22	2
82-6770	Spring - Scraper	72	18	2	85-7220	Rear Roller Assembly	65	16	1
82-6780	Deflector - Rear	72	24	1	85-7220	Rear Roller Assembly	66	16	1
82-6810	Plate - Bearing	72	26	2	85-9880	Hydraulic Cylinder Assembly	57	46	1
82-6820	Spacer - Bearing	72	25	2	85-9880	Hydraulic Cylinder Assy.	59	40	2
82-6830	Bracket - Scraper	69	*8	5	85-9900	Plate - Spring Anchor	28	16	1
82-6830	Bracket - Scraper	68	8	1	85-9910	Eyebolt	28	27	1
82-6830	Bracket - Scraper	73	44	1	85-9970	Bearing Assembly	66	17	2
82-6840	Spacer	71	9	10	85-9980	Decal - ROPS	75	19	1
82-6870	Scraper W.A. - RH	73	56	1	86-7190	Upper Housing	24	26	1
82-6880	Scraper W.A. - LH	72	30	1	86-7200	Front Axle Assembly	21	43	1
82-6890	Washer - Special	71	3	20	86-7220	Gear - Pinion	21	32	1
82-8110	Retainer - Oil Guide	44	44	1	86-7230	Gear-Spur	23	14	1
82-8270	Valve - Flow Control	18	9	1	86-7330	Seal Repair Kit	62	*	1
82-8270	Valve - Flow Control	15	31	1	86-7330	Seal repair Kit	60	*	1
82-8520	Detent Assembly Kit	16	*	1	86-7520	Trunion Cover Assy. R.H.	26	7	1
82-9060	Adjuster W/Handle	8	13	1	86-7530	Trunion Cover Assy. L.H.	27	49	1
83-4700	Plate - Spring R.H.	71	*	5	86-7540	Shaft - Pump	26	11	1
83-4710	Plate - Spring L.H.	71	8	5	86-7550	Connector - Cover (2 Way)	11	*	2
83-4720	Spring - Torsion R.H.	71	*	5	86-7560	Connector - Cover (3 Way)	11	*	3
83-4730	Spring - Torsion L.H.	71	7	5	86-9190	Hose - Hydraulic	15	14	2
83-4780	Housing - Charge Pump	26	32	1	86-9200	Sleeve - Pump	29	6	1
83-4870	Bracket - High Scraper R.H.	69	*7	5	88-0430	Decal - A.C.E.	2	51	2
83-4880	Bracket - High Scraper L.H.	69	*6	5	88-0440	Decal - Floor Plate	17	27	1
83-4910	Coupler - Pinion	24	40	1	32151-12	Ring - Retaining	66	23	2
83-5130	Spacer - Pinion	23	21	1	217-74	Bolt - Bedbar	63	33	2
83-5210	H.O.C. - Right Rear	69	1	5	217-120	Rim	22	46	2
83-5230	H.O.C. - Left Rear	69	3	5	217-121	Rim	53	20	2
83-5240	Support - Front R.H.	69	5	5	218-446	Nut - Locking	11	10	1
83-5250	Support - Front L.H.	69	4	5	218-447	Washer - E.T.L.W.	11	11	1
83-6780	Pin - Cylinder (Long)	57	61	2	218-498	Nut - Hex.	11	4	2
83-6790	Pin - Cylinder (Short)	57	43	1	218-498	Nut - Lock	31	42	2
83-6930	Bracket - Scraper R.H.	68	2	1	218-573	Fuse - 5A	11	20	10
83-6940	Bracket - Scraper L.H.	68	4	1	218-578	Fuse - 10A	11	*	1
83-6950	Bracket - Scraper R.H.	68	1	1	218-579	Wire - Fuel Pump	20	29	1
83-6980	Bracket - Scraper L.H.	68	5	1	218-590	Switch - Micro	11	38	2
83-7370	Roof	75	1	1	218-594	Fuse - 20A	11	*	1
83-7380	Insulation - Roof	75	14	1	219-17	Bulb - Light	11	*	4
83-7390	Seal	75	2	2	219-19	Bulb - Light	11	28	3
83-7400	Ear - Lift	75	3	2	231-134	Tire	21	45	2
83-7410	Roll - Bar	75	13	1	231-141	Tire	53	19	2
83-7420	Washer - Rubber	75	15	6	232-27	Stem - Valve	22	47	2
83-7430	Decal - Danger (English)	75	12	1	232-35	Stem - Valve	53	21	2
83-7440	Decal - Knob (English)	7	52	1	233-17	Knob - Parking Brake	3	9	1
83-7450	Decal - Down (English)	32	60	1	233-42	Knob	5	19	1
83-7480	Hydraulic Cylinder Assembly	56	7	1	233-42	Knob - Throttle	6	35	1
83-7490	Hydraulic Cylinder Assy.	57	67	1	237-21	Seal - O-Ring	17	2	6
84-1670	Head	60	9	1	237-21	Seal - O-Ring	18	2	7
84-1670	Head	62	9	1	237-21	Seal - O-Ring	19	4	8
84-1680	Ring-Retaining	60	11	1	237-21	Seal - O-Ring	56	5	6
84-1680	Ring-Retaining	62	11	1	237-21	Seal - O-Ring	15	18	6
84-1710	Piston	61	4	1	237-21	Seal - O-Ring	58	18	4
84-1720	Head	61	9	1	237-21	Seal - O-Ring	13	26	1
84-1730	Ring-Retaining	61	11	1	237-21	Seal - O-Ring	53	33	2
84-1740	Clevis W.A.	61	12	1	237-22	Seal - O-Ring	15	1	4
84-1760	Seal repair Kit	61	*	1	237-22	Seal - O-Ring	21	12	2
84-5280	Pin - Spring	16	38	2	237-22	Seal - O-Ring	17	13	4
84-8320	Insert - Hinge	56	10	4	237-22	Seal - O-Ring	3	14	5

*Not Illustrated

PART NUMBER INDEX (Continued)

3315-204

Part No.	Description	Pg. No.	Ref. No.	Qty.	Part No.	Description	Pg. No.	Ref. No.	Qty.
237-22	Seal - O-Ring	29	15	1	253-96	Seal - Oil	63	32	2
237-22	Seal - O-Ring	19	19	10	253-129	Seal - Grease	53	28	2
237-22	Seal - O-Ring	13	23	3	254-65	Cone-Tapered Bearing	24	28	2
237-30	Seal - O-Ring	29	11	2	254-66	Cup-Tapered Bearing	24	27	2
237-30	Seal - O-Ring	15	13	4	254-72	Cup - Bearing	63	15	2
237-42	O-Ring	16	33	1	254-72	Cup - Bearing	53	17	4
237-42	Seal - O-Ring	15	3	4	254-91	Cone-Bearing	24	23	1
237-42	Seal - O-Ring	17	16	2	254-94	Cone - Bearing	53	16	4
237-42	Seal - O-Ring	13	25	2	254-94	Cone - Bearing	63	16	2
237-65	Seal - O-Ring	13	10	5	256-42	Bushing - Sleeve	5	34	2
237-65	Seal - O-Ring	15	22	1	256-113	Bushing - Flange	28	19	2
237-65	Seal - O-Ring	31	47	2	256-115	Washer - Thrust	58	26	6
237-78	O-Ring	16	12	8	256-115	Washer - Thrust	57	41	11
237-78	Seal - O-Ring	19	2	5	256-121	Washer - Thrust	53	12	2
237-78	Seal - O-Ring	17	3	7	256-236	Bearing - Flange	5	24	4
237-78	Seal - O-Ring	56	3	6	256-287	Bushing - Flange	58	30	4
237-78	Seal - O-Ring	18	4	8	282-4	Clevis - Spring	58	2	2
237-78	Seal - O-Ring	15	7	8	282-4	Clevis - Spring	56	21	3
237-78	Seal - O-Ring	21	16	1	283-6	Pin - Clevis	58	9	2
237-78	Seal - O-Ring	58	17	4	283-6	Pin - Clevis	56	15	3
237-78	Seal - O-Ring	53	31	2	283-58	Pin - Clevis	5	30	4
237-79	Seal - O-Ring	15	9	2	302-5	Fitting - Grease	65	4	4
237-79	Seal - O-Ring	21	10	2	302-5	Fitting - Grease	66	4	4
237-79	Seal - O-Ring	29	17	3	302-5	Fitting - Grease	53	11	4
237-79	Seal - O-Ring	19	18	10	302-5	Fitting - Grease	56	11	6
237-79	Seal - O-Ring	14	45	1	302-5	Fitting - Grease	60	13	1
237-80	O-Ring	16	9	1	302-5	Fitting - Grease	61	13	1
237-81	Seal - O-Ring	13	12	4	302-5	Fitting - Grease	62	13	1
237-81	Seal - O-Ring	15	26	1	302-5	Fitting - Grease	28	20	1
237-81	Seal - O-Ring	21	26	2	302-5	Fitting - Grease	58	24	4
237-141	Bumper	2	42	2	302-5	Fitting - Grease	5	39	1
237-141	Grommet	6	41	1	302-11	Fitting - Grease 45°	72	14	6
237-156	O-Ring	16	14	8	302-11	Fitting - Grease R.H. 45°	63	*	1
237-161	Seal - O-Ring	21	31	1	302-60	Fitting - Grease	65	2	1
237-162	Seal - O-Ring	29	5	1	302-60	Fitting - Grease	66	2	1
237-163	Seal - O-Ring	29	9	1	302-60	Fitting - Grease	72	6	1
237-165	Grommet	54	46	2	302-60	Fitting - Grease L.H. 90°	63	34	1
237-181	Seal - O-Ring	21	3	1	304-46	Drain - Radiator	32	52	1
240-3	Grommet	32	51	2	304-46	Fitting - Drain	20	31	1
240-11	Grommet	20	27	3	321-2	Screw - Cap Hex. Hd.	13	6	1
240-11	Grommet	13	39	3	321-2	Screw - Cap Hex. Hd.	50	12	1
241-119	Cap - Dust	53	24	2	321-2	Screw - Cap Hex. Hd.	22	49	1
242-34	Stud-Flange, Axle	25	11	10	321-4	Screw - Cap Hex. Hd.	63	6	2
242-50	Nut - Lug	53	26	10	321-4	Screw - Cap Hex. Hd.	31	16	7
249-48	Swell Latch Assembly	11	5	1	321-4	Screw - Cap Hex. Hd.	11	33	3
2410-18	Plug	77	2	1	321-4	Screw - Cap Hex. Hd.	56	35	2
2410-73	Retainer - Tether	13	5	1	321-4	Screw - Cap Hex. Hd.	6	46	1
2411-36	Bearing - Rod End	5	2	1	321-4	Screw - Cap Hex. Hd.	73	49	2
2412-3	Clamp - Hose	31	19	4	321-4	Screw - Cap Hex. Hd.	35	50	1
2412-34	Clamp - Hose	29	2	1	321-6	Screw - Cap Hex. Hd.	50	24	2
2412-34	Clamp - Hose	13	18	3	321-8	Screw - Cap Hex. Hd.	20	6	2
2412-34	Clamp - Hose	21	24	2	321-11	Screw - Cap Hex. Hd.	17	5	4
2412-36	Clamp - Drain	20	16	1	321-11	Screw - Cap Hex. Hd.	18	6	4
2412-42	Clamp - Hose	50	2	1	321-23	Screw - Cap Hex. Hd.	71	10	10
2412-74	Clamp - Hose	31	23	1	321-23	Screw - Cap Hex. Hd.	13	13	2
2412-81	Clamp - R	33	19	1	321-39	Screw - Cap Hex. Hd.	1	10	7
2412-92	Clamp - Hose	34	16	1	321-39	Screw - Cap Hex. Hd.	11	26	2
2412-93	Clamp - R	50	11	1	322-1	Screw - Cap Hex. Hd.	67	13	1
2412-93	Clamp - R	13	32	2	322-2	Screw - Cap Hex. Hd.	31	40	2
2412-93	Clamp - R	7	50	1	322-2	Screw - Cap Hex. Hd.	35	51	4
2412-103	Clamp - R	31	25	1	322-3	Screw - Cap Hex. Hd.	3	1	2
2412-108	Clamp - Hose	50	8	1	322-3	Screw - Cap Hex. Hd.	6	13	9
2412-108	Clamp - Hose	31	9	1	322-3	Screw - Cap Hex. Hd.	34	14	4
2412-108	Clamp - Hose	20	12	7	322-3	Screw - Cap Hex. Hd.	28	18	2
2412-108	Clamp - Hose	52	5	2	322-3	Screw - Cap Hex. Hd.	5	25	8
2412-126	Clamp - R	35	54	1	322-3	Screw - Cap Hex. Hd.	1	27	4
2412-133	Clamp - R	6	42	2	322-3	Screw - Cap Hex. Hd.	15	28	4
251-77	Collar - Lock	72	37	2	322-3	Screw - Cap Hex. Hd.	50	28	6
251-259	Bearing	71	4	10	322-3	Screw - Cap Hex. Hd.	11	35	4
251-259	Bearing - Ball	28	11	2	322-3	Screw - Cap Hex. Hd.	73	55	2
251-318	Bearing - Ball	34	7	2	322-4	Screw - Cap Hex. Hd.	33	12	1
251-337	Bearing - Ball	72	34	2	322-4	Screw - Cap Hex. Hd.	50	15	3
253-61	Seal - Oil	63	22	1	322-4	Screw - Cap Hex. Hd.	31	32	2

*Not Illustrated

PART NUMBER INDEX (Continued)

Part No.	Description	Pg. No.	Ref. No.	Qty.	Part No.	Description	Pg. No.	Ref. No.	Qty.
322-4	Screw - Cap Hex. Hd.	1	33	2	3220-3	Nut - Jam	53	14	8
322-5	Screw - Cap Hex. Hd.	63	1	1	3220-5	Nut - Jam	53	36	2
322-5	Screw - Cap Hex. Hd.	31	3	10	3220-6	Nut	4	27	1
322-5	Screw - Cap Hex. Hd.	58	4	6	3220-6	Nut - Steering Wheel	3	8	1
322-5	Screw - Cap Hex. Hd.	1	18	4	3220-12	Nut - Jam L.H. Thread	53	38	2
322-5	Screw - Cap Hex. Hd.	56	26	3	3220-18	Nut - Jam	72	32	1
322-5	Screw - Cap Hex. Hd.	34	35	8	3230-1	Bolt - Carriage	69	*9	10
322-5	Screw - Cap Hex. Hd.	73	54	1	3230-1	Bolt - Carriage	68	3	2
322-6	Screw - Cap Hex.	59	46	2	3230-2	Bolt - Carriage	34	13	1
322-6	Screw - Cap Hex. Hd.	67	6	1	3231-2	Bolt - Carriage	65	5	2
322-6	Screw - Cap Hex. Hd.	32	59	1	3231-2	Bolt - Carriage	66	5	2
322-7	Screw - Cap Hex. Hd.	28	10	1	3231-3	Bolt - Carriage	72	21	2
322-7	Screw - Cap Hex. Hd.	72	40	6	3234-14	Screw - Hex. Washer Hd.	1	30	14
322-9	Screw - Cap Hex. Hd.	33	1	2	3234-23	Screw - Hex. Flange Hd.	74	5	6
322-9	Screw - Cap Hex. Hd.	71	1	10	3242-1	Screw - Set	72	19	4
322-10	Screw - Cap Hex. Hd.	28	3	1	3242-1	Screw - Set Sq. Hd.	69	2	20
322-11	Screw - Cap Hex. Hd.	34	39	1	3242-1	Screw - Sq. Hd. Set	65	8	4
322-12	Screw - Cap Hex. Hd.	33	23	2	3242-1	Screw - Sq. Hd. Set	66	8	4
322-12	Screw - Cap Hex. Hd.	59	43	2	3243-13	Screw - Sq. Hd. Set	63	8	4
323-2	Screw - Cap Hex. Hd. L.H.	63	21	1	3245-35	Screw - Set	72	33	2
323-4	Screw - Cap Hex. Hd.	14	43	2	3250-29	Screw - Cap Hex. Hd.	6	7	4
323-4	Screw - Cap Hex. Hd.	7	47	2	3250-45	Screw - Pan Hd.	75	10	6
323-5	Screw - Cap Hex. Hd.	20	25	3	3253-3	Washer - Lock	75	16	6
323-5	Screw - Cap Hex. Hd.	13	36	3	3253-3	Washer - Lock	11	32	3
323-6	Screw - Cap Hex. Hd.	53	1	4	3253-3	Washer - Lock	6	32	1
323-6	Screw - Cap Hex. Hd.	67	2	2	3253-3	Washer - Lock	22	50	1
323-6	Screw - Cap Hex. Hd.	75	5	2	3253-4	Washer - Lock	3	2	2
323-6	Screw - Cap Hex. Hd.	34	9	2	3253-4	Washer - Lock	63	2	1
323-6	Screw - Cap Hex. Hd.	65	12	2	3253-4	Washer - Lock	71	2	10
323-6	Screw - Cap Hex. Hd.	66	12	2	3253-4	Washer - Lock	67	7	2
323-6	Screw - Cap Hex. Hd.	72	28	6	3253-4	Washer - Lock	58	10	2
323-7	Screw - Cap Hex. Hd.	65	21	4	3253-4	Washer - Lock	6	12	4
323-7	Screw - Cap Hex. Hd.	66	21	4	3253-4	Washer - Lock	1	17	14
323-7	Screw - Cap Hex. Hd.	73	48	4	3253-4	Washer - Lock	28	17	2
323-8	Screw - Cap Hex. Hd.	5	3	1	3253-4	Washer - Lock	15	29	4
323-8	Screw - Cap Hex. Hd.	34	42	1	3253-4	Washer - Lock	72	39	7
323-9	Screw - Cap Hex. Hd.	74	3	2	3253-4	Washer - Lock	35	49	4
323-9	Screw - Cap Hex. Hd.	50	19	1	3253-4	Washer - Lock	32	53	5
323-9	Screw - Cap Hex. Hd.	35	55	1	3253-5	Washer - Lock	29	4	2
323-10	Screw - Cap Hex. Hd.	56	39	1	3253-6	Washer - Lock	75	*	2
323-11	Screw - Cap Hex. Hd.	34	32	3	3253-6	Washer - Lock	8	25	2
323-12	Screw - Cap Hex. Hd.	29	3	2	3253-7	Washer - Lock	75	7	9
323-12	Screw - Cap Hex. Hd.	21	28	2	3253-7	Washer - Lock	59	44	4
323-12	Screw - Cap Hex. Hd.	57	56	2	3253-7	Washer - Lock	57	58	6
323-20	Screw - Cap Hex. Hd.	21	42	2	3253-15	Washer - Lock	20	9	5
323-49	Screw - Cap Hex. Hd.	65	6	2	3253-21	Washer - Lock	65	11	2
323-49	Screw - Cap Hex. Hd.	66	6	2	3253-21	Washer - Lock	66	11	2
323-49	Screw - Special	72	13	2	3253-21	Washer - Lock	50	20	1
323-50	Screw - Cap Hex. Hd.	70	5	2	3253-21	Washer - Lock	21	29	2
323-53	Screw - Cap Hex. Hd.	72	10	2	3253-21	Washer - Lock	72	29	6
324-6	Screw - Cap Hex. Hd.	21	21	4	3253-21	Washer - Lock	14	42	2
324-23	Screw - Cap, Hex Hd.	23	11	4	3253-21	Washer - Lock	35	56	1
325-4	Screw - Cap Hex. Hd.	58	36	4	3253-27	Washer - Lock	76	2	2
325-4	Screw - Cap Hex. Hd.	57	59	6	3255-8	Washer - Lock	34	18	2
325-5	Screw - Cap Hex. Hd.	75	8	9	3255-8	Washer - Lock	23	2	8
325-7	Screw - Cap Hex. Hd.	21	6	2	3255-9	Washer - E.T.L.W.	63	31	4
325-8	Screw - Cap Hex. Hd.	76	4	2	3255-9	Washer - Lock E.T.L.W.	34	30	1
327-2	Screw - Cap Hex. Hd.	53	3	1	3256-1	Washer - Flat	63	7	2
328-7	Screw - Cap Hex. Hd.	56	18	4	3256-1	Washer - Flat	11	13	5
328-12	Screw - Cap Hex. Hd.	56	13	2	3256-1	Washer - Flat	3	29	2
328-25	Screw - Cap Hex. Hd.	53	30	1	3256-1	Washer - Flat	2	44	10
328-27	Screw - Cap Hex. Hd.	54	49	1	3256-1	Washer - Flat	73	47	2
3210-7	Screw - Cap, Hex Hd.	23	19	8	3256-2	Washer - Flat	6	11	8
3212-4	Screw - Cap Hex. Hd.	75	*	2	3256-3	Washer - Flat	1	24	4
3217-6	Nut - Hex.	28	28	1	3256-3	Washer - Flat	11	34	4
3217-9	Nut - Hex.	76	1	2	3256-5	Washer - Flat	8	4	1
3217-9	Nut - Lock	75	9	3	3256-6	Washer - Flat	58	33	4
3218-1	Nut - Jam	21	2	1	3256-6	Washer - Flat	57	57	6
3218-3	Nut - Hex. Jam	72	11	4	3256-13	Washer - Flat	32	55	7
3218-3	Nut - Jam	70	4	4	3256-22	Washer - Flat	20	4	2
3219-2	Nut	23	1	8	3256-22	Washer - Flat	5	6	2
3219-14	Nut - Hex.	77	3	1	3256-22	Washer - Flat	3	11	4
3220-3	Nut - Jam	5	1	2	3256-22	Washer - Flat	75	11	6

*Not Illustrated

PART NUMBER INDEX (Continued)

3315-204

Part No.	Description	Pg. No.	Ref. No.	Qty.	Part No.	Description	Pg. No.	Ref. No.	Qty.
3256-22	Washer - Flat	31	15	4	3296-29	Nut - Lock	58	7	6
3256-22	Washer - Flat	56	34	2	3296-29	Nut - Lock	68	7	2
3256-23	Washer - Flat	69	*11	10	3296-29	Nut - Lock	28	9	4
3256-23	Washer - Flat	31	4	12	3296-29	Nut - Lock	33	17	5
3256-23	Washer - Flat	68	6	2	3296-29	Nut - Lock	34	21	9
3256-23	Washer - Flat	58	8	10	3296-29	Nut - Lock	5	23	8
3256-23	Washer - Flat	3	15	6	3296-29	Nut - Lock	50	26	4
3256-23	Washer - Flat	1	16	6	3296-29	Nut - Lock	31	27	10
3256-23	Washer - Flat	56	25	3	3296-29	Nut - Lock	6	39	9
3256-23	Washer - Flat	50	27	2	3296-29	Nut - Lock	57	45	3
3256-23	Washer - Flat	34	38	5	3296-29	Nut - Lock	73	52	2
3256-23	Washer - Flat	72	38	8	3296-39	Nut - Lock	53	5	2
3256-23	Washer - Lock E.T.L.W.	3	31	1	3296-39	Nut - Lock	65	9	8
3256-24	Washer	8	5	1	3296-39	Nut - Lock	66	9	8
3256-24	Washer - Flat	53	2	2	3296-39	Nut - Lock	72	16	8
3256-24	Washer - Flat	70	3	4	3296-39	Nut - Lock	75	18	2
3256-24	Washer - Flat	5	4	1	3296-39	Nut - Lock	6	28	3
3256-24	Washer - Flat	75	4	4	3296-39	Nut - Lock	34	29	5
3256-24	Washer - Flat	72	12	8	3296-39	Nut - Lock	21	30	2
3256-24	Washer - Flat	6	16	3	3296-39	Nut - Lock	58	35	4
3256-24	Washer - Flat	50	21	1	3296-39	Nut - Lock	5	38	1
3256-24	Washer - Flat	56	24	3	3296-39	Nut - Lock	57	52	2
3256-24	Washer - Flat	58	34	4	3296-39	Nut - Lock L.H.	63	20	2
3256-24	Washer - Flat	34	37	4	3296-42	Nut - Lock	20	3	2
3256-24	Washer - Flat	14	41	2	3296-42	Nut - Lock	71	6	10
3256-25	Washer - Flat	21	38	4	3296-42	Nut - Lock	1	9	10
3256-26	Washer - Flat	28	2	1	3296-42	Nut - Lock	18	10	4
3256-26	Washer - Flat	75	6	9	3296-42	Nut - Lock	50	10	3
3256-26	Washer - Flat	3	22	1	3296-42	Nut - Lock	31	11	7
3256-26	Washer - Flat	8	24	2	3296-42	Nut - Lock	63	13	2
3256-28	Washer - Flat	53	22	2	3296-42	Nut - Lock	13	15	2
3256-46	Washer - Flat	8	20	1	3296-42	Nut - Lock	17	17	4
3256-49	Washer - Flat	63	10	4	3296-42	Nut - Lock	11	22	7
3256-49	Washer - Flat	67	16	10	3296-42	Nut - Lock	72	22	2
3256-69	Washer - Thrust	5	31	3	3296-42	Nut - Lock	3	30	2
3256-71	Washer - Flat	67	8	2	3296-42	Nut - Lock	56	37	2
3256-78	Washer - Flat	71	5	10	3296-42	Nut - Lock	34	47	1
3258-19	Screw - Machine	51	6	2	3296-44	Nut - Lock	56	23	4
3258-166	Screw - Phillip Hd.	11	12	5	3296-44	Nut - Lock	8	22	1
3258-166	Screw - Phillip Hd.	3	28	2	3296-48	Nut - Lock	21	39	4
3258-166	Screw - Phillip Hd.	2	45	3	3296-51	Nut - Lock	56	19	6
3269-3	Rivet - Pop	70	6	4	3296-54	Nut - Lock	6	4	4
3269-3	Rivet - Pop	72	17	4	3296-56	Nut - Lock	22	53	2
3269-13	Rivet - Pop	31	29	7	3296-59	Nut - Lock	5	22	1
3269-15	Rivet - Pop	32	49	8	3296-59	Nut - Lock	6	36	2
3269-28	Rivet - Pop	67	14	10	3296-60	Nut - Reel	63	17	1
3272-2	Pin - Cotter	5	5	2	32104-76	Screw - Thread Forming	57	48	2
3272-4	Pin - Cotter	1	20	2	32105-1	Screw - Cap Hex. Hd.	11	43	1
3272-5	Pin - Cotter	3	17	3	32105-8	Screw - Cap Hex. Hd.	31	43	2
3272-10	Pin - Cotter	28	1	1	32105-13	Screw - Cap Hex. Hd.	11	17	2
3272-10	Pin - Cotter	58	3	2	32105-21	Screw	28	4	2
3272-10	Pin - Cotter	56	17	3	32107-11	Nut - Square	51	5	2
3272-10	Pin - Cotter	3	21	1	32108-9	Screw - Machine	22	54	1
3272-10	Pin - Cotter	5	40	4	32111-7	Nut - Acorn	75	17	6
3272-11	Pin - Cotter	6	17	2	32120-74	Ring - Retaining	27	53	1
3272-13	Pin - Cotter	53	25	2	32120-93	Ring - Retaining	58	20	4
3273-26	Screw - Hex. Socket Hd.	11	45	2	32120-93	Ring - Retaining	56	29	6
3290-93	Screw - Cap Hex. Hd.	11	39	4	32121-2	Pin - Roll	34	2	2
3290-271	Rivet - Pop	31	13	2	32121-6	Pin - Roll	5	9	1
3290-354	Plate - Nut	11	36	2	32121-11	Pin - Roll	67	5	1
3290-378	Tie - Cable	3	*	3	32121-12	Pin - Roll	72	23	2
3290-378	Tie - Cable	32	57	1	32121-16	Pin - Roll	5	32	1
3290-379	Tie - Cable	56	14	3	32121-38	Pin - Roll	6	19	1
3290-379	Tie - Cable	59	45	1	32121-45	Pin - Roll	5	10	2
3290-409	Rivet - Pop	63	12	4	32121-50	Pin - Roll	5	41	1
3290-461	Washer - Belleville	5	21	1	32121-122	Pin - Roll	58	32	2
3290-488	Boot - Lift Control	11	40	1	32121-122	Pin - Roll	57	55	3
3290-489	Knob - Lift Control	11	3	1	32122-22	Screw - Phillip Hd.	77	2	1
3296-2	Nut - Lock	11	18	3	32122-24	Screw - Round Hd.	20	10	5
3296-9	Nut - Hex.	28	24	2	32128-19	Nut - Flange Lock	74	2	2
3296-20	Nut - Lock	3	16	4	32128-25	Nut - Lock	50	29	3
3296-23	Nut - Lock	21	19	2	32128-26	Nut - Flange	8	21	4
3296-29	Nut - Lock	69	*10	10	32128-36	Nut - Flange Lock R.H.	63	*	2

*Not Illustrated

PART NUMBER INDEX (Continued)

Part No.	Description	Pg. Ref. No. No. Qty.	Part No.	Description	Pg. Ref. No. No. Qty.
32136-5	Nut - Slotted	53 23 2	340-143	Fitting - Hydraulic 90°	15 32 1
32144-1	Screw - Cap Hex. Hd.	11 41 2	340-151	Fitting - Hydraulic Tee	17 14 1
32144-10	Screw - Hex. Washer Hd.	13 33 2	353-512	Fitting - Hydraulic Plug	18 5 2
32144-14	Screw - Self Tapping	57 66 3	353-550	Fitting - Plug	14 44 1
32144-18	Screw - Cap Hex. Hd.	11 46 2	353-599	Pin-Dowel	64 3 2
32144-21	Screw	3 6 1	353-682	Fitting - Hydraulic Straight	13 20 1
32144-22	Screw - Cap Hex. Hd.	28 13 4	353-781	Fitting-Elbow	52 1 2
32144-73	Screw - Self Tapping	63 3 5	353-886	Ring - Retaining	30 8 2
32144-112	Screw - Cap Hex. Hd.	22 51 8	353-922	Seal - Ring	30 6 6
32144-112	Screw-Thread Forming	23 13 8	353-989	Plug	16 34 1
32149-1	Nut - Lock	34 45 1	353-990	Plug	16 11 10
32149-7	Nut - Lock	31 26 2	353-991	Plug	16 13 8
32151-36	Ring - Retaining	53 7 2	354-5	Coupling	30 14 2
32151-36	Ring - Retaining	58 15 4	354-13	Pin - Dowel	30 13 2
32151-36	Ring - Retaining	57 42 6	354-14	Pin - Dowel	30 21 2
32151-41	Ring-Retaining	64 13 1	354-15	Seal - Oil	30 22 1
32151-48	Ring - Retaining	58 5 2	354-16	Washer	30 4 4
32151-48	Ring - Retaining	56 20 3	354-20	Fitting - Fuel Tee	20 17 1
32151-61	Ring - Retaining	58 12 4	354-21	Fitting - Fuel Straight	20 18 1
32151-62	Ring - Retaining	21 33 1	354-22	Fitting - Fuel Straight	20 14 2
32151-77	Ring - Retaining	53 40 1	354-35	Gasket	30 29 1
32151-94	Ring - Retaining	57 50 1	354-36	Cap - Adjuster Valve	30 30 1
32152-10	Nut	60 2 1	354-37	Adjuster - Valve	30 28 1
32152-10	Nut	61 2 1	354-38	Ball - Valve	30 26 1
32152-10	Nut	62 2 1	354-39	Spring - Compression	30 27 1
32153-6	Nut - Lock	53 6 2	354-44	Body Assy.	64 10 1
3333-975	Tie - Cable	32 58 1	354-45	Idler Gear Assembly	64 6 1
340-2	Fitting - Hydraulic Straight	15 5 1	354-46	Ring-Seal	64 8 1
340-3	Fitting - Hydraulic Straight	21 14 1	354-47	Cover Assy.	64 4 1
340-3	Fitting - Hydraulic Straight	29 16 1	354-49	Drive Shaft Assembly	64 7 1
340-4	Fitting - Hydraulic Straight	29 10 2	354-50	Screw-Hex Socket Hd.	64 1 4
340-8	Fitting - Hydraulic Straight	13 11 1	354-51	Washer	64 2 4
340-8	Fitting - Hydraulic Straight	14 40 1	354-52	Shaft - Drive	30 24 1
340-13	Fitting - Hydraulic Straight	18 16 2	354-53	Pump Body Assembly	30 23 1
340-13	Fitting - Hydraulic Straight	15 19 2	354-54	Plate - Gear	30 1 2
340-18	Fitting - Hydraulic 90°	21 13 1	354-55	Plate Assembly	30 25 1
340-18	Fitting - Hydraulic 90°	19 7 10	354-56	Pin - Dowel	30 2 2
340-21	Fitting - Hydraulic Tee	19 13 1	354-57	Gear - Drive	30 20 1
340-77	Fitting - Hydraulic 90°	15 2 2	354-58	Plate Assembly	30 15 1
340-77	Fitting - Hydraulic 90°	17 19 1	354-59	Shaft - Drive	30 11 1
340-77	Fitting - Hydraulic 90°	13 22 1	354-60	Plate - Gear	30 7 1
340-82	Fitting - Hydraulic 90°	17 15 1	354-61	Key - Woodruff	30 10 1
340-92	Fitting - Hydraulic Straight	18 3 4	354-62	Gear	30 9 1
340-92	Fitting - Hydraulic Straight	17 10 3	354-63	Cover Assembly	30 5 1
340-92	Fitting - Hydraulic Straight	15 17 2	354-64	Screw - Cap Hex. Hd.	30 3 4
340-92	Fitting - Hydraulic Straight	15 34 1	354-65	Idler Shaft Assembly	30 12 1
340-101	Fitting - Hydraulic Straight	15 10 2	354-66	Shaft - Idler	30 19 2
340-103	Fitting - Hydraulic 45°	19 3 5	354-67	Seal - Pre-Load Hi Pressure	30 17 4
340-103	Fitting - Hydraulic 45°	53 32 2	354-68	Plate - Load	30 18 4
340-103	Fitting - Hydraulic 45°	57 64 1	354-69	Seal - Load Hi Pressure	30 16 4
340-108	Fitting - Hydraulic 90°	32 48 2	354-70	Plug	16 10 1
340-132	Fitting - Hydraulic 90°	17 4 3	354-72	Fitting - Hydraulic 45°	21 36 1
340-132	Fitting - Hydraulic 90°	56 4 5	354-73	Fitting - Hydraulic Straight	13 24 2
340-132	Fitting - Hydraulic 90°	15 8 1	354-74	Fitting 0 Hydraulic Plug	13 16 1
340-132	Fitting - Hydraulic 90°	18 11 1	354-75	Fitting - Hydraulic 90°	21 34 1
340-132	Fitting - Hydraulic 90°	58 19 4	354-77	Fitting - Hydraulic Test Port	21 17 1
340-137	Fitting - Hydraulic 45°	13 27 1	354-77	Fitting - Test Port	15 11 2
340-139	Fitting - Hydraulic 90°	15 23 1	354-79	Cap - Test Port	15 12 2
340-139	Fitting - Hydraulic 90°	13 35 1	354-79	Cap - Test Port	21 18 1
340-143	Fitting - Hydraulic 90°	18 8 1	355-12	Plug - Hydraulic	17 9 1

TABLE OF CONTENTS

Description	Page	Description	Page
Frame & Body Assembly	1-2	Alternator Assembly	49
Steering Tower Assembly	3	Engine Components Assembly	50
Steering Valve Assembly No. 75-0600	4	Air Cleaner Assembly	51
Traction & Brake Pedals Assembly	5	Fuel Filter Assembly	52
Seat & Throttle Assembly	6-7	Rear Axle Assembly	53-54
Seat Suspension Assembly	8	Hydraulic Cylinder No. 75-1200	55
Diagnostic-ACE Display Assembly	9	Front Lift Arms Assembly	56-57
Electrical Schematic	10	Rear Lift Arms Assembly	58-59
Control Console Assembly	11	Hydraulic Cylinder Assembly No. 85-9880	60
Hydraulic Schematic	12	Hydraulic Cylinder Assembly No. 83-7480	61
Hydraulic Reservoir Assembly	13-14	Hydraulic Cylinder Assembly No. 83-7490	62
Hydraulic Control Manifold Assembly	15	Reel Assembly	
Control Manifold Assembly	16	(5 & 8 Blade Cutting Units)	63
Front Hydraulic Manifolds	17	Reel Motor Assembly No. 75-1400	64
Rear Hydraulic Manifolds	18	Roller Assembly	
Cutting Unit Hydraulic Components	19	(5 Blade C.U. Serial No. 20001 thru 20555)	
Fuel Tank Assembly	20	(8 Blade C.U. Serial No. 20001 thru 21322)	65
Front Axle & Transmission Assembly	21-22	Roller Assembly	
Front Axle Assembly No. 86-7200	23-24	(5 Blade C.U. Serial No. 20556 & Up)	
Brake Assembly	25	(8 Blade C.U. Serial No. 21323 & Up)	66
Transmission Assembly No. 75-0010	26-27	Grass Basket Assembly	67
Traction Control Assembly	28	Front Scraper Kit No. 83-5400 (Optional)	68
Gear Pump Installation Assembly	29	High Height-Of-Cut Kit No. 83-5300	
Hydraulic Pump Assembly No. 75-0800	30	(Optional)	69
Radiator Assembly	31-32	Roller Scraper Kit Model No. 03512	
Muffler & Pump Drive Assembly	33	(Optional)	70
Engine Installation Assembly	34-35	Turf Compensation Kit Model No. 03510	
Valves & Crankshaft Assembly	36-37	(Optional)	71
Crankcase Assembly	38	Dethatcher Assembly Model No. 03516	
Camshaft Assembly	39	(Optional)	72-73
Cylinder Head Assembly	40-41	Armrest Kit Model No. 30707 (Optional)	74
Water Pump Assembly	42	R.O.P.S. Assembly (Optional)	75
Fuel Supply & Engine Block Assembly	43-44	Rear Weight Kit No. 75-6690 (Optional)	76
Fuel Injection Pump Assembly	45-46	Special Tools	77-78
Governor Assembly	47	International Decal Cross Reference	79-82
Starter Assembly	48	Part Number Index	83-94

PRODUCT CHANGES

In an effort to make improvements available to TORO owners as quickly as possible, minor changes are incorporated into Toro's products from time to time that do not become immediately shown in the Parts Catalog. If such a change has been made in your unit, which is not reflected in your manual, see your TORO Distributor or his Authorized TORO Service Dealer for information and part numbers.

IDENTIFICATION AND ORDERING

MODEL AND SERIAL NUMBERS

The Reelmaster® 223D has two identification numbers; a model number and a serial number. The two numbers are stamped on a decal which is located on the traction unit frame under the seat. In any correspondence concerning the Reelmaster 223D, supply model and serial numbers to assure that correct information and replacement parts are obtained.

To order replacement parts from an Authorized TORO Service Dealer, supply the following information:

1. Model and serial number of the Reelmaster 223D.
2. Part number, description, and the quantity of part(s) desired.

NOTE: Do not order by reference number if a parts catalog is being used; use the PART NUMBER.

COUNTRIES OTHER THAN THE UNITED STATES OR CANADA

Customers who have purchased TORO products exported from the United States or Canada should contact their Toro

Distributor (Dealer) to obtain guarantee policies for your country, province or state.

