



Pump Belt Guide Kit

Daihatsu-powered Z Master® Riding Mower

Model No. 114-8244

Installation Instructions

Installation

Loose Parts

Use the chart below to verify that all parts have been shipped.

Procedure	Description	Qty.	Use
1	Idler pulley belt guide	1	Install the idler pulley belt guide, spring and belt.
	Curved washer	1	
	Belt	1	
	Spring	1	
2	Belt guide	2	Install the pump pulley belt guides.
	Bolt (1/2 x 1-1/2 inches)	2	

1

Installing the Idler Pulley Belt Guide, Spring and Belt

Parts needed for this procedure:

1	Idler pulley belt guide
1	Curved washer
1	Belt
1	Spring

Procedure

1. Disengage the PTO, move the motion control levers to the neutral locked position and set the parking brake.
2. Stop the engine, remove the key, and wait for all moving parts to stop before leaving the operating position.
3. Allow the engine to cool down.
4. Tilt the seat forward and remove the front engine panel (Figure 1).

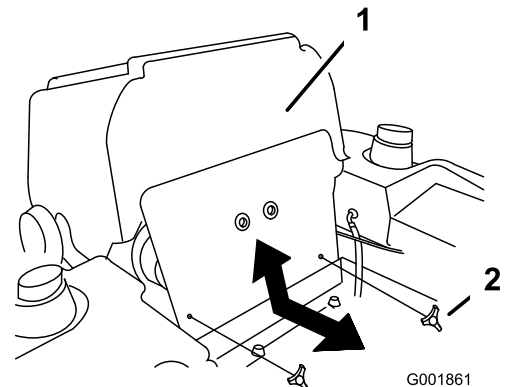


Figure 1

1. Front engine panel
2. Knob

5. Remove the knobs and the lower engine panel from the machine.
6. To replace the belt, pull the spring loaded idler down and remove the traction belt from the engine and hydro pump pulleys (Figure 2).
7. Remove the existing idler spring and install the new spring (Figure 3 and Figure 4).
8. Install the new belt around the engine and hydro pump pulleys (Figure 2).
9. Pull the spring loaded idler down and install the belt. Release the pressure on the spring loaded idler (Figure 2).

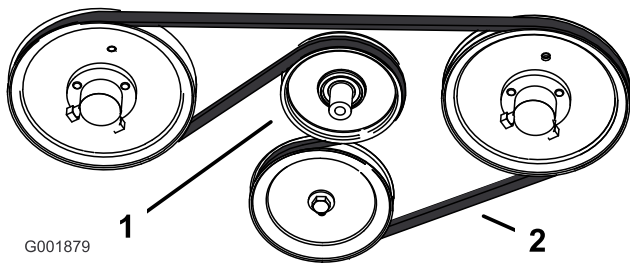


Figure 2

- 1. Spring loaded idler pulley
- 2. Pump drive belt

- 10. Locate the idler pulley and remove the nut that is locate on the engine side (Figure 3).
- 11. Install the idler pulley belt guide and curved washer with the previously removed nut (Figure 3 and Figure 4). Make sure the pulley belt guide is installed at a 62 degree angle as shown in (Figure 5).

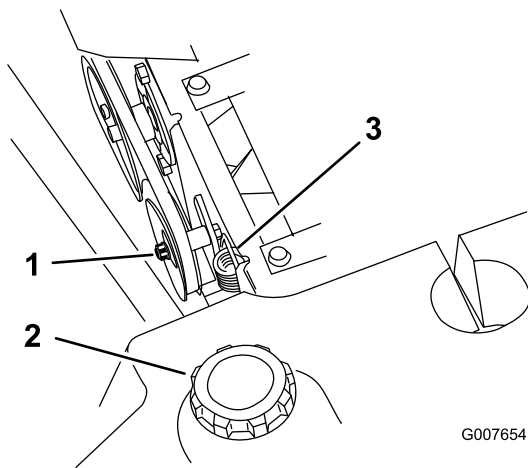


Figure 3

- 1. Idler pulley nut
- 2. Right side fuel tank
- 3. Spring

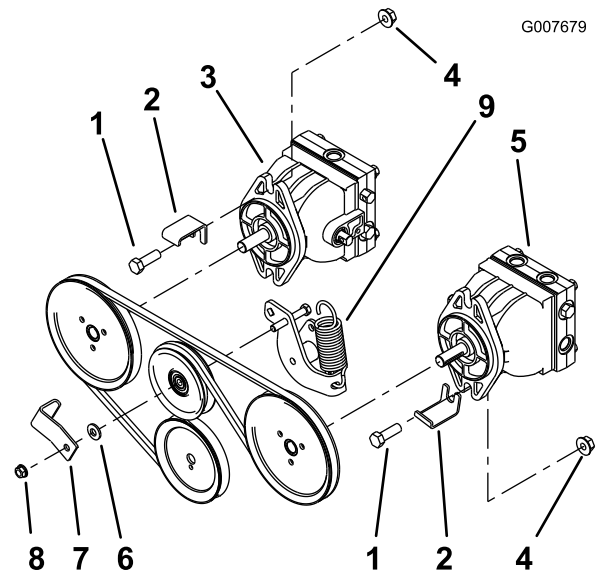


Figure 4

- 1. Bolt (1/2 x 1-1/2 inches)
- 2. Belt guide
- 3. Left side pump
- 4. Existing nut
- 5. Right side pump
- 6. Curved washer
- 7. Idler pulley belt guide
- 8. Existing nut
- 9. Spring

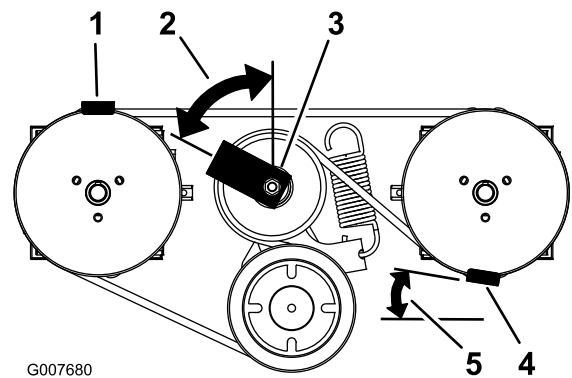


Figure 5

- 1. Belt guide installed for the left side pulley
- 2. 62 degree angle
- 3. Idler pulley belt guide
- 4. Belt guide install for the right side pulley
- 5. 9 degree angle

2

Installing the Pump Pulley Belt Guides

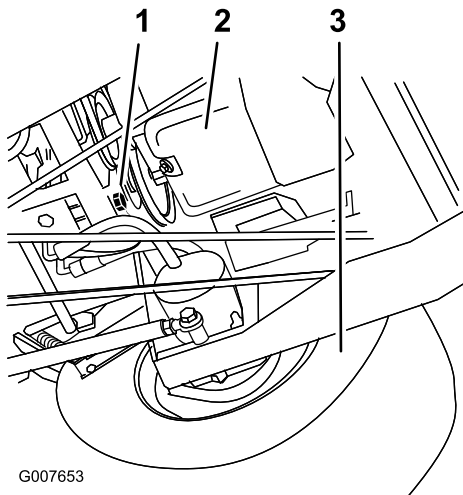
Parts needed for this procedure:

2	Belt guide
2	Bolt (1/2 x 1-1/2 inches)

Procedure

Note: Determine the left and right sides of the machine from the normal operating position.

1. Remove the nut and bolt holding the right side pump to the frame. Save the nut.
2. Install the belt guide with a new bolt (1/2 x 1-1/2 inches) and nut previously removed (Figure 6 and Figure 8). Make sure the pulley belt guide is installed at the angle as shown in Figure 9.



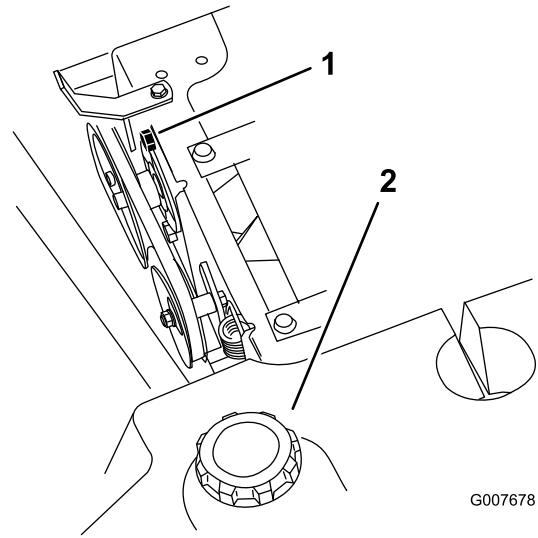
G007653

Figure 6

Bottom view shown

1. Nut and bolt to remove
2. Engine oil pan
3. Right side tire

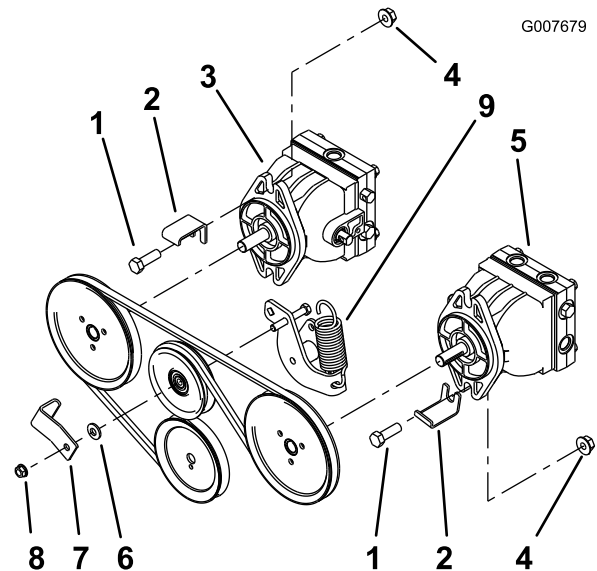
3. Remove the nut and bolt holding the left side pump to the frame. Save the nut.
4. Install the belt guide with a new bolt (1/2 x 1-1/2 inches) and nut previously removed (Figure 7 and Figure 8). Make sure the pulley belt guide is installed at a 62 degree angle as shown in Figure 9.



G007678

Figure 7

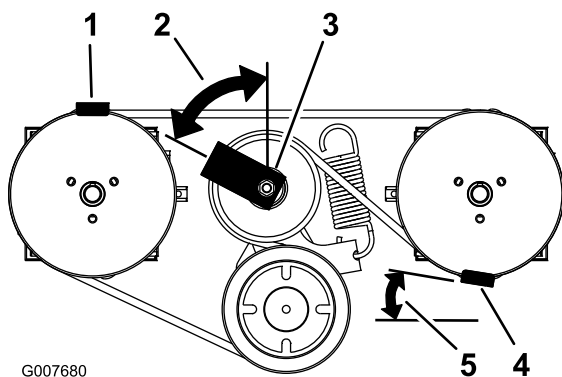
1. Nut and bolt to remove
2. Right side fuel tank



G007679

Figure 8

1. Bolt (1/2 x 1-1/2 inches)
2. Belt guide
3. Left side pump
4. Existing nut
5. Right side pump
6. Curved washer
7. Idler pulley belt guide
8. Existing nut
9. Existing nut



G007680

Figure 9

- | | |
|--|---|
| 1. Belt guide installed for the left side pulley | 4. Belt guide install for the right side pulley |
| 2. 62 degree angle | 5. 9 degree angle |
| 3. Idler pulley belt guide | |

-
5. Install the lower engine panel and the knobs.
 6. Install the front engine panel (Figure 1).