



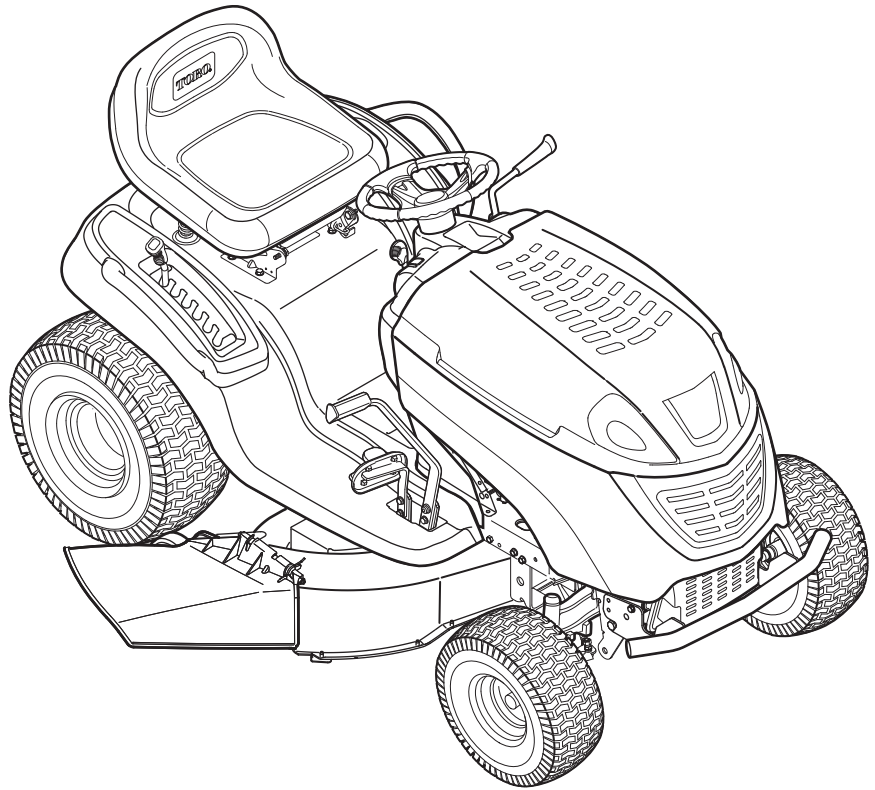
**Count on it.**

Form No. 3357-950 Rev. B

**Operator's Manual**

# LX465 Lawn Tractor

Model No. 13AX61RH544



## TABLE OF CONTENTS

Content	Page	Content	Page
Important Safe Operation Practices	3	Maintaining Your Lawn Tractor	22
Safety Labels	7	Service	24
Slope Gauge	9	Off-Season Storage	27
Tractor Set-Up	10	Maintenance Chart	28
Know Your Lawn Tractor	13	Troubleshooting	29
Operating Your Lawn Mower	16	Specifications	30
Making Adjustments	20	Warranty Information	31

## FINDING MODEL NUMBER

This Operator's Manual is an important part of your new lawn tractor. It will help you assemble, prepare and maintain the unit for best performance. Please read and understand what it says.



**Before you start assembling your new equipment**, please locate the model plate on the equipment and copy the information from it in the space provided below. A sample model plate is also illustrated below. You can locate the model plate by looking at the underside of the tractor's seat. This information will be necessary to use the manufacturer's web site and/or help from a Toro Service Dealer.

MODEL NUMBER	SERIAL NUMBER	DOM
THE TORO COMPANY 8111 LYNDALE AVE. SOUTH BLOOMINGTON, MINNESOTA 55420-1196 TOLL FREE PHONE NUMBER: 1-888-384-9942 USA TOLL FREE PHONE NUMBER: 1-888-848-4073 Canada		

Copy the model number here: \_\_\_\_\_

Copy the serial number here: \_\_\_\_\_

## CUSTOMER SUPPORT

*Please do NOT return the unit to the retailer without first contacting Customer Support.*

If you have difficulty assembling this product or have any questions regarding the controls, operation or

	<p>Visit <a href="http://www.toro.com">www.toro.com</a> for many useful suggestions. Click on Customer Care in the Homeowners section of the Toro Solutions Center and help is immediately available.</p> <div style="border: 1px solid black; padding: 5px;"> <b>Count on it.</b> <span style="float: right;">Site Search: <input style="width: 150px;" type="text"/> <input type="submit" value="GO"/></span> </div> <div style="background-color: #333; color: white; padding: 5px; text-align: center;"> <span style="display: inline-block; background-color: white; color: #333; padding: 2px 10px; margin: 0 5px;">Homeowner</span> <span style="display: inline-block; background-color: #333; color: white; padding: 2px 10px; margin: 0 5px;">Golf Course Management</span> <span style="display: inline-block; background-color: #333; color: white; padding: 2px 10px; margin: 0 5px;">Professional Contractor</span> <span style="display: inline-block; background-color: #333; color: white; padding: 2px 10px; margin: 0 5px;">Sports Fields &amp; Grounds</span> <span style="display: inline-block; background-color: #333; color: white; padding: 2px 10px; margin: 0 5px;">Irrigation Solutions</span> </div> <div style="text-align: center; margin-top: 10px;"> <h3 style="margin: 0;">Toro Solutions Center</h3> <p style="font-size: small; margin: 0;">Toro offers a variety of online tools to customers who currently own or are interested in purchasing a Toro product. Refer to the list below for the tools available to Homeowner customers.</p> </div>
	<p>If you have questions concerning your tractor, please call us at 1-888-384-9942 (U.S.) or 1-888-848-4073 (Canada).</p>

---

## SECTION 1: IMPORTANT SAFE OPERATION PRACTICES



**WARNING:** This symbol points out important safety instructions which, if not followed, could endanger the personal safety and/or property of yourself and others. Read and follow all instructions in this manual before attempting to operate this machine. Failure to comply with these instructions may result in personal injury. When you see this symbol—heed its warning.



**DANGER:** This machine was built to be operated according to the rules for safe operation in this manual. As with any type of power equipment, carelessness or error on the part of the operator can result in serious injury. This machine is capable of amputating hands and feet and throwing objects. Failure to observe the following safety instructions could result in serious injury or death.

### GENERAL OPERATION

1. Read, understand, and follow all instructions on the machine and in the manual(s) before attempting to assemble and operate. Keep this manual in a safe place for future and regular reference and for ordering replacement parts.
2. Be familiar with all controls and their proper operation. Know how to stop the machine and disengage them quickly.
3. Never allow children under 14 years old to operate this machine. Children 14 years old and over should read and understand the operation instructions and safety rules in this manual and should be trained and supervised by a parent.
4. Never allow adults to operate this machine without proper instruction.
5. To help avoid blade contact or a thrown object injury, keep bystanders, helpers, children and pets at least 75 feet from the machine while it is in operation. Stop machine if anyone enters the area.
6. Thoroughly inspect the area where the equipment is to be used. Remove all stones, sticks, wire, bones, toys, and other foreign objects which could be picked up and thrown by the blade(s). Thrown objects can cause serious personal injury.
7. Plan your mowing pattern to avoid discharge of material toward roads, sidewalks, bystanders and the like. Also, avoid discharging material against a wall or obstruction which may cause discharged material to ricochet back toward the operator.
8. Always wear safety glasses or safety goggles during operation and while performing an adjustment or repair to protect your eyes. Thrown objects which ricochet can cause serious injury to the eyes.
9. Wear sturdy, rough-soled work shoes and close-fitting slacks and shirts. Loose fitting clothes and jewelry can be caught in movable parts. Never operate this machine in bare feet or sandals.
10. Be aware of the mower and attachment discharge direction and do not point it at anyone. Do not operate the mower without the discharge cover or entire grass catcher in its proper place.
11. Do not put hands or feet near rotating parts or under the cutting deck. Contact with the blade(s) can amputate hands and feet.
12. A missing or damaged discharge cover can cause blade contact or thrown object injuries.
13. Stop the blade(s) when crossing gravel drives, walks, or roads and while not cutting grass.
14. Watch for traffic when operating near or crossing roadways. This machine is not intended for use on any public roadway.
15. Do not operate the machine while under the influence of alcohol or drugs.
16. Mow only in daylight or good artificial light.
17. Never carry passengers.
18. Disengage blade(s) before shifting into reverse. Back up slowly. Always look down and behind before and while backing to avoid a back-over accident.
19. Slow down before turning. Operate the machine smoothly. Avoid erratic operation and excessive speed.
20. Disengage blade(s), set parking brake, stop engine and wait until the blade(s) come to a complete stop before removing grass catcher, emptying grass, unclogging chute, removing any grass or debris, or making any adjustments.
21. Never leave a running machine unattended. Always turn off blade(s), place transmission in neutral, set parking brake, stop engine and remove key before dismounting.
22. Use extra care when loading or unloading the machine into a trailer or truck. This unit should not be driven up or down ramp(s), because the unit could tip over, causing serious personal injury. The unit must be pushed manually on ramp(s) to load or unload properly.
23. Muffler and engine become hot and can cause a burn. Do not touch.
24. Check overhead clearances carefully before driving under low hanging tree branches, wires, door openings etc., where the operator may be struck or pulled from the unit, which could result in serious injury.

25. Disengage all attachment clutches, depress the brake pedal completely and shift into neutral before attempting to start engine.
26. Your machine is designed to cut normal residential grass of a height no more than 10". Do not attempt to mow through unusually tall, dry grass (e.g., pasture) or piles of dry leaves. Dry grass or leaves may contact the engine exhaust and/or build up on the mower deck presenting a potential fire hazard.
27. Use only accessories and attachments approved for this machine by the machine manufacturer. Read, understand and follow all instructions provided with the approved accessory or attachment.
28. Data indicates that operators, age 60 years and above, are involved in a large percentage of riding mower-related injuries. These operators should evaluate their ability to operate the riding mower safely enough to protect themselves and others from serious injury.
29. If situations occur which are not covered in this manual, use care and good judgment. Contact an authorized MTD Service Dealer for assistance.

## **SLOPE OPERATION**

Slopes are a major factor related to loss of control and tip-over accidents which can result in severe injury or death. All slopes require extra caution. If you cannot back up the slope or if you feel uneasy on it, do not mow it.

For your safety, use the slope gauge included as part of this manual to measure slopes before operating this unit on a sloped or hilly area. If the slope is greater than 15 degrees as shown on the slope gauge, do not operate this unit on that area or serious injury could result.

### **DO:**

1. Mow up and down slopes, not across. Exercise extreme caution when changing direction on slopes.
2. Watch for holes, ruts, bumps, rocks, or other hidden objects. Uneven terrain could overturn the machine. Tall grass can hide obstacles.
3. Use slow speed. Choose a low enough speed setting so that you will not have to stop or shift while on the slope. Tires may lose traction on slopes even though the brakes are functioning properly. Always keep machine in gear when going down slopes to take advantage of engine braking action.
4. Follow the manufacturer's recommendations for wheel weights or counterweights to improve stability.
5. Use extra care with grass catchers or other attachments. These can change the stability of the machine.

6. Keep all movement on the slopes slow and gradual. Do not make sudden changes in speed or direction. Rapid engagement or braking could cause the front of the machine to lift and rapidly flip over backwards which could cause serious injury.
7. Avoid starting or stopping on a slope. If tires lose traction, disengage the blade(s) and proceed slowly straight down the slope.

### **DO NOT:**

1. Do not turn on slopes unless necessary; then, turn slowly and gradually downhill, if possible.
2. Do not mow near drop-offs, ditches or embankments. The mower could suddenly turn over if a wheel is over the edge of a cliff, ditch, or if an edge caves in.
3. Do not try to stabilize the machine by putting your foot on the ground.
4. Do not use a grass catcher on steep slopes.
5. Do not mow on wet grass. Reduced traction could cause sliding.
6. Do not shift to neutral and coast downhill. Over-speeding may cause the operator to lose control of the machine resulting in serious injury or death.
7. Do not tow heavy pull behind attachments (e.g. loaded dump cart, lawn roller, etc.) on slopes greater than 5 degrees. When going down hill, the extra weight tends to push the tractor and may cause you to lose control. (e.g. tractor may speed up, braking and steering ability are reduced, attachment may jack-knife and cause tractor to overturn).

## **CHILDREN**

1. Tragic accidents can occur if the operator is not alert to the presence of children. Children are often attracted to the machine and the mowing activity. They do not understand the dangers. Never assume that children will remain where you last saw them.
  - a. Keep children out of the mowing area and in watchful care of a responsible adult other than the operator.
  - b. Be alert and turn machine off if a child enters the area.
  - c. Before and while backing, look behind and down for small children.
  - d. Never carry children, even with the blade(s) shut off. They may fall off and be seriously injured or interfere with safe machine operation.
  - e. Use extreme care when approaching blind corners, doorways, shrubs, trees or other objects that may block your vision of a child who may run into the machine.

- f. To avoid back-over accidents, always disengage the cutting blade(s) before shifting into reverse. The “Reverse Caution Mode” should not be used when children or others are around.
- g. Keep children away from hot or running engines. They can suffer burns from a hot muffler.
- h. Remove key when machine is unattended to prevent unauthorized operation.
- i. Never allow children under 14 years old to operate the machine. Children 14 years old and over should read and understand the operation instructions and safety rules in this manual and should be trained and supervised by a parent.

## TOWING

1. Tow only with a machine that has a hitch designed for towing. Do not attach towed equipment except at the hitch point.
2. Follow the manufacturers recommendation for weight limits for towed equipment and towing on slopes.
3. Never allow children or others in or on towed equipment.
4. On slopes, the weight of the towed equipment may cause loss of traction and loss of control.
5. Travel slowly and allow extra distance to stop.
6. Do not shift to neutral and coast downhill.

## SERVICE

### SAFE HANDLING OF GASOLINE:

1. **To avoid personal injury or property damage** use extreme care in handling gasoline. Gasoline is extremely flammable and the vapors are explosive. Serious personal injury can occur when gasoline is spilled on yourself or your clothes which can ignite. Wash your skin and change clothes immediately.
  - a. Use only an approved gasoline container.
  - b. Never fill containers inside a vehicle or on a truck or trailer bed with a plastic liner. Always place containers on the ground away from your vehicle before filling.
  - c. When practical, remove gas-powered equipment from the truck or trailer and refuel it on the ground. If this is not possible, then refuel such equipment on a trailer with a portable container, rather than from a gasoline dispenser nozzle.
  - d. Keep the nozzle in contact with the rim of the fuel tank or container opening at all times until fueling is complete. Do not use a nozzle lock-open device.
  - e. Extinguish all cigarettes, cigars, pipes and other sources of ignition.
- f. Never fuel machine indoors.
- g. Never remove gas cap or add fuel while the engine is hot or running. Allow engine to cool at least two minutes before refueling.
- h. Never over fill fuel tank. Fill tank to no more than ½ inch below bottom of filler neck to allow space for fuel expansion.
- i. Replace gasoline cap and tighten securely.
- j. If gasoline is spilled, wipe it off the engine and equipment. Move unit to another area. Wait 5 minutes before starting the engine.
- k. To reduce fire hazards, keep machine free of grass, leaves, or other debris build-up. Clean up oil or fuel spillage and remove any fuel soaked debris.
- l. Never store the machine or fuel container inside where there is an open flame, spark or pilot light as on a water heater, space heater, furnace, clothes dryer or other gas appliances.
- m. Allow a machine to cool at least 5 minutes before storing.

### GENERAL SERVICE:

1. Never run an engine indoors or in a poorly ventilated area. Engine exhaust contains carbon monoxide, an odorless, and deadly gas.
2. Before cleaning, repairing, or inspecting, make certain the blade(s) and all moving parts have stopped. Disconnect the spark plug wire and ground against the engine to prevent unintended starting.
3. Periodically check to make sure the blades come to complete stop within approximately (5) five seconds after operating the blade disengagement control. If the blades do not stop within the this time frame, your unit should be serviced professionally by an authorized MTD Service Dealer.
4. Check brake operation frequently as it is subjected to wear during normal operation. Adjust and service as required.
5. Check the blade(s) and engine mounting bolts at frequent intervals for proper tightness. Also, visually inspect blade(s) for damage (e.g., excessive wear, bent, cracked). Replace the blade(s) with the original equipment manufacturer’s (O.E.M.) blade(s) only, listed in this manual. “Use of parts which do not meet the original equipment specifications may lead to improper performance and compromise safety!”
6. Mower blades are sharp. Wrap the blade or wear gloves, and use extra caution when servicing them.
7. Keep all nuts, bolts, and screws tight to be sure the equipment is in safe working condition.
8. Never tamper with the safety interlock system or other safety devices. Check their proper operation regularly.


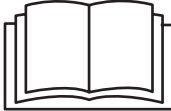
9. After striking a foreign object, stop the engine, disconnect the spark plug wire(s) and ground against the engine. Thoroughly inspect the machine for any damage. Repair the damage before starting and operating.
10. Never attempt to make adjustments or repairs to the machine while the engine is running.
11. Grass catcher components and the discharge cover are subject to wear and damage which could expose moving parts or allow objects to be thrown. For safety protection, frequently check components and replace immediately with original equipment manufacturer's (O.E.M.) parts only, listed in this manual. "Use of parts which do not meet the original equipment specifications may lead to improper performance and compromise safety!"
12. Do not change the engine governor settings or over-speed the engine. The governor controls the maximum safe operating speed of the engine.
13. Maintain or replace safety and instruction labels, as necessary.
14. Observe proper disposal laws and regulations for gas, oil, etc. to protect the environment.



**WARNING: YOUR RESPONSIBILITY** Restrict the use of this power machine to persons who read, understand and follow the warnings and instructions in this manual and on the machine.

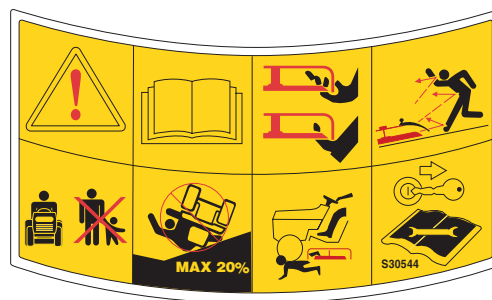
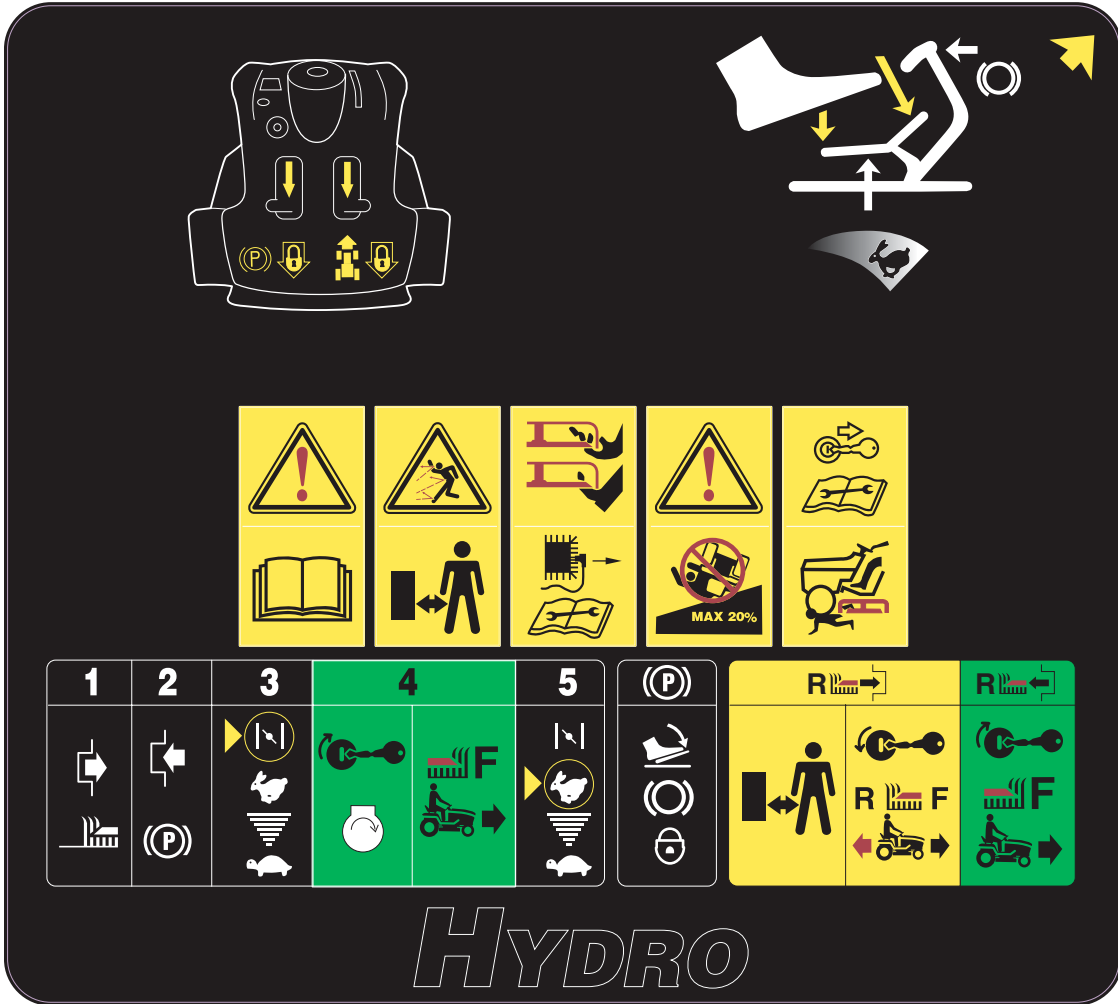
## **SAFETY SYMBOLS**

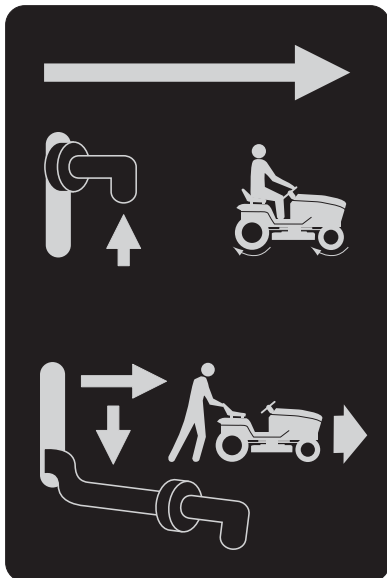
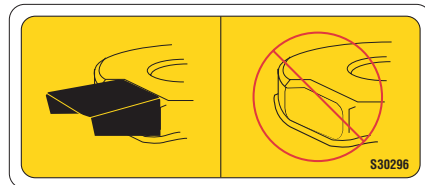
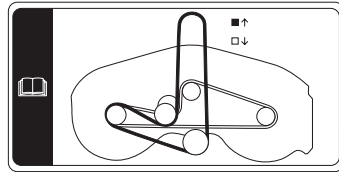
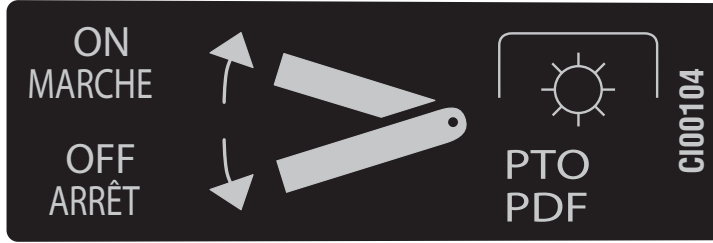
This operator's manual describes safety symbols and pictographs that may appear on this product.

Symbol	Meaning
	<p><b>SAFETY ALERT SYMBOL —</b></p> <p>Indicates Danger, Warning or Caution. May be used in conjunction with other symbols or pictographs.</p>
	<p><b>WARNING – READ OPERATOR'S MANUAL —</b></p> <p>Read the Operator's Manual(s) and follow all warning and safety instructions. Failure to do so can result in serious injury to the operator and/or bystanders.</p>

## SECTION 2: SAFETY AND INSTRUCTIONAL LABELS

Safety and instructional labels found on your lawn tractor are illustrated below. Always follow their instructions and heed their warnings. If you discover a safety label is scratched, damaged or missing, order a replacement immediately.

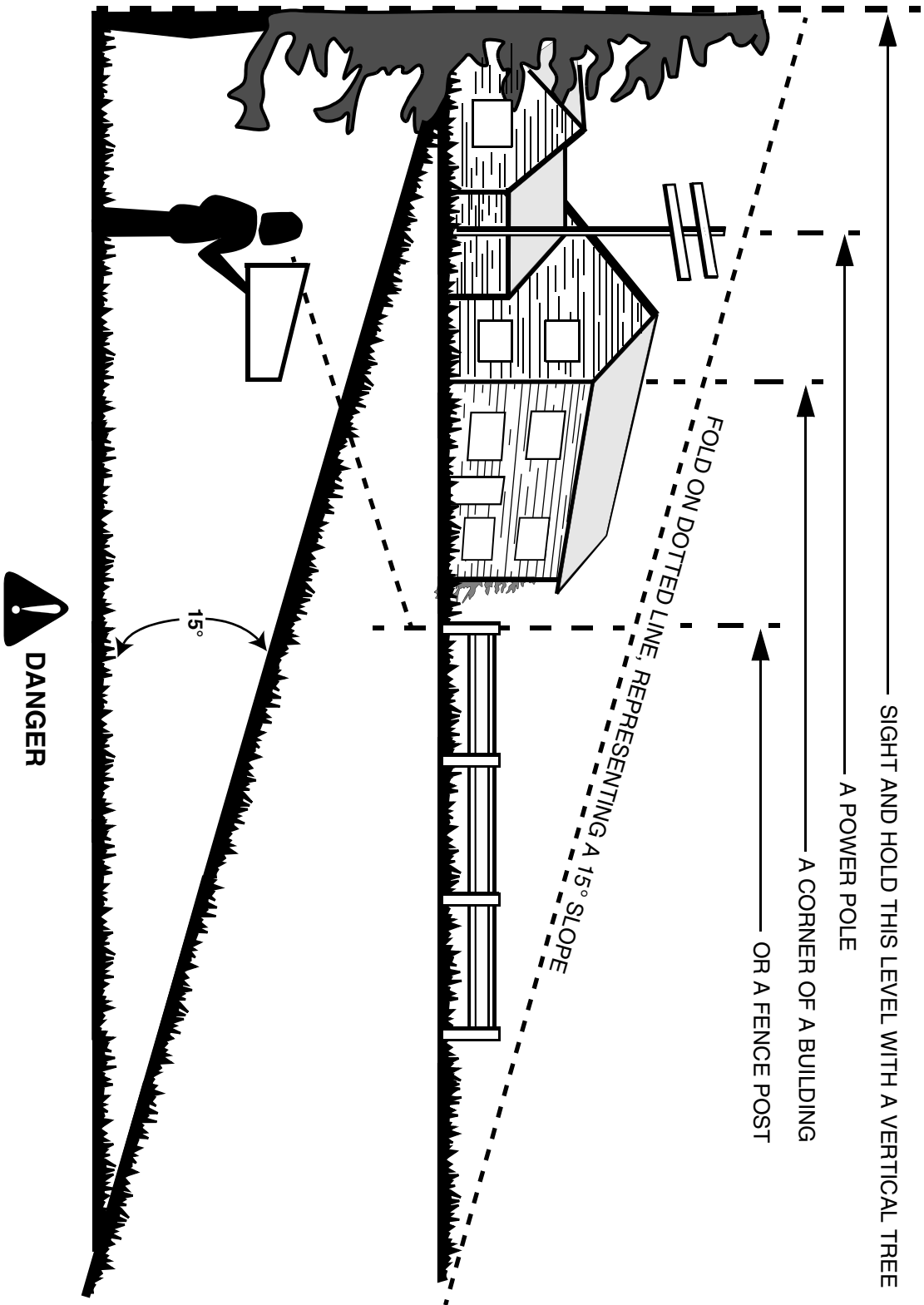






## SECTION 3: SLOPE GAUGE

Use this page as a guide to determine slopes where you may not operate safely. **Do not operate** your lawn tractor on such slopes.



Do not mow on inclines with a slope in excess of 15 degrees (a rise of approximately 2-1/2 feet every 10 feet). A riding mower could overturn and cause serious injury. If operating a walk-behind mower on such a slope, it is extremely difficult to maintain your footing and you could slip, resulting in serious injury.

Operate RIDING mowers up and down slopes, never across the face of slopes.

Operate WALK-BEHIND mowers across the face of slopes, never up and down slopes.

## SECTION 4: TRACTOR SET-UP

### Attaching The Steering Wheel

#### Tools Required

(1) 1/2" socket wrench

1. The hardware for attaching the steering wheel has been packed within the steering wheel, beneath steering wheel cap. Carefully pry off the steering wheel cap and remove the hardware.
2. **With the wheels of the tractor pointing straight forward**, place the steering wheel over the steering shaft.
3. Place the washer (with the cupped side down) over the steering shaft and secure with the hex bolt. See Figure 1.

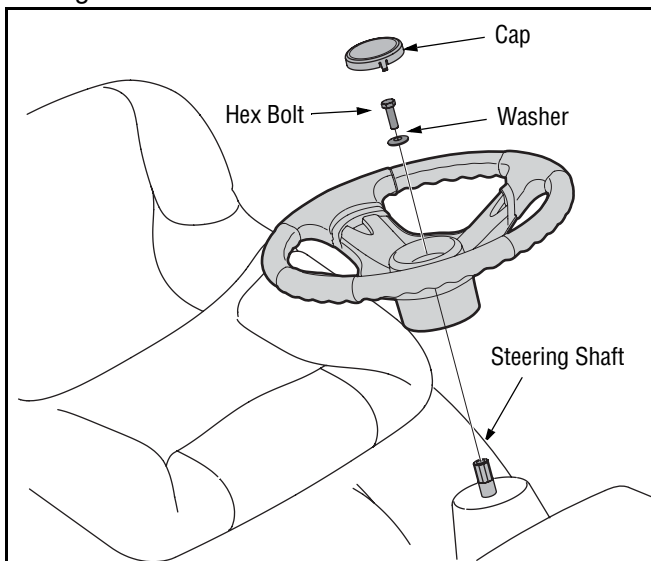


Figure 1

4. Place the steering wheel cap over the center of the steering wheel and push downward until it “clicks” into place.

### Attaching the Battery Cables

#### Tools Required

(1) 7/16" wrench



#### **WARNING: California Proposition 65**

**Warning:** Battery posts, terminals, and related accessories contain lead and lead compounds, chemicals known to the State of California to cause cancer and reproductive harm. *Wash hands after handling.*

**NOTE:** *Your tractor's battery cables may have already be attached at the factory.*

**NOTE:** *The positive battery terminal is marked Pos. (+). The negative battery terminal is marked Neg. (-).*

- The positive cable (heavy red wire) is secured to the positive battery terminal (+) with a carriage bolt and hex nut at the factory. Make certain that the rubber boot covers the terminal to help protect it from corrosion.
- Remove the carriage bolt and hex nut from the negative cable.
- Remove the black plastic cover, if present, from the negative battery terminal and attach the negative cable (heavy black wire) to the negative battery terminal (-) with the bolt and hex nut.
- Make certain the hold-down rod is in position over the battery, securing it in place. See Figure 2.

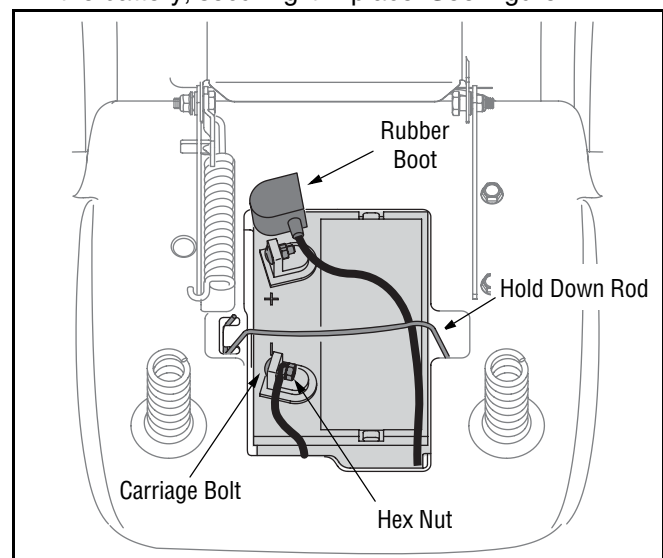


Figure 2

**NOTE:** *If the battery is put into service after the date shown on top/side of battery, charge the battery as instructed on page 26 of this manual prior to operating the tractor.*

## Tire Pressure



**WARNING:** Never exceed the maximum inflation pressure shown on the sidewall of the tire.

The tires on your unit may be over-inflated for shipping purposes. Reduce the tire pressure before operating the tractor. Recommended operating tire pressure is approximately 10 p.s.i for the rear tires and 14 p.s.i. for the front tires. Check sidewall of tire for maximum p.s.i.

## Attaching The Seat

1. Remove the two knobs from the bottom of seat.
2. Position the shoulder screws (found on the base of the seat) inside the slot openings in the seat pivot bracket.
3. Slide the seat slightly rearward in the seat pivot bracket, lining up the rear slots in the pivot bracket with the remaining two holes in the seat's base.
4. Select desired position for the seat, and secure with the two knobs removed earlier. See Figure 3.

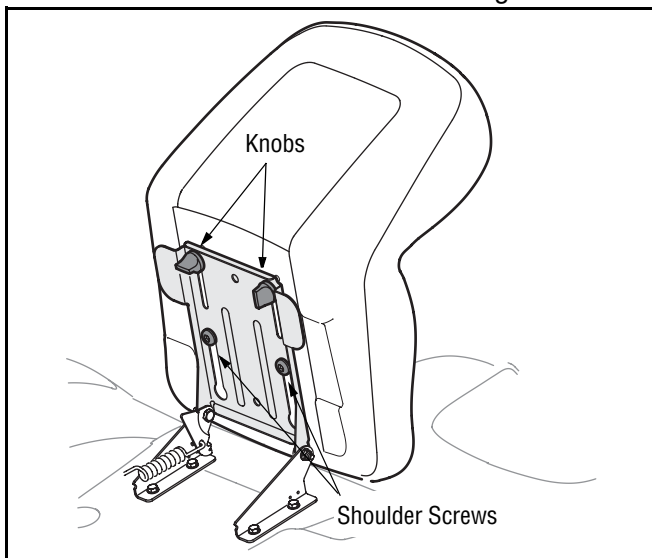


Figure 3

## Shipping Brace Removal



**WARNING:** Make sure the riding mower's engine is off, set the parking brake and remove the ignition key before removing the shipping brace.

- Locate the shipping brace, if present, and warning tag found on the right side of the cutting deck. See Figure 4.
- While holding the discharge chute with your left hand, remove the shipping brace with your right hand by grasping it between your thumb and index finger and rotating it clockwise.

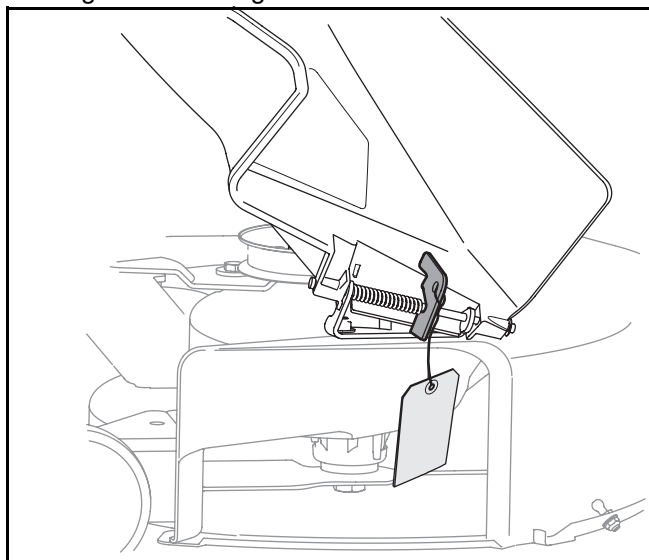


Figure 4



**WARNING:** The shipping brace, used for packaging purposes only, must be removed and discarded before operating your riding mower.



**WARNING:** The mowing deck is capable of throwing objects. Failure to operate the riding mower without the discharge cover in the proper operating position could result in serious personal injury and/or property damage.

## Setting the Gauge Wheels

### Tools Required

(2) 9/16" wrenches

Select the height position of the cutting deck by placing the deck lift lever in any of the six different cutting height notches on the right fender.

Adjust the deck wheels so that they are between ¼-inch and ½-inch above the ground as follows.



**WARNING:** Keep hands and feet away from the discharge opening of the cutting deck.

Place the tractor on a firm and level surface, preferably pavement, refer to Figure 5, and proceed as follows:

- Place the tractor's deck lift handle in the normally desired mowing height setting, then check the gauge wheels for contact or excessive clearance with the surface below. There should be approximately 1/2" clearance.
- If the wheels contact the surface adjust as follows:
  - a. Raise the deck lift handle to its highest setting.
  - b. Remove the rear gauge wheels by removing the lock nuts and shoulder screws which secure them to the deck.
  - c. Place the deck lift handle in the desired mowing height setting.
  - d. Insert the shoulder screw with the rear gauge wheel into the index hole that leaves approximately 1/2" between the bottom of the wheel and the pavement. See Figure 5.

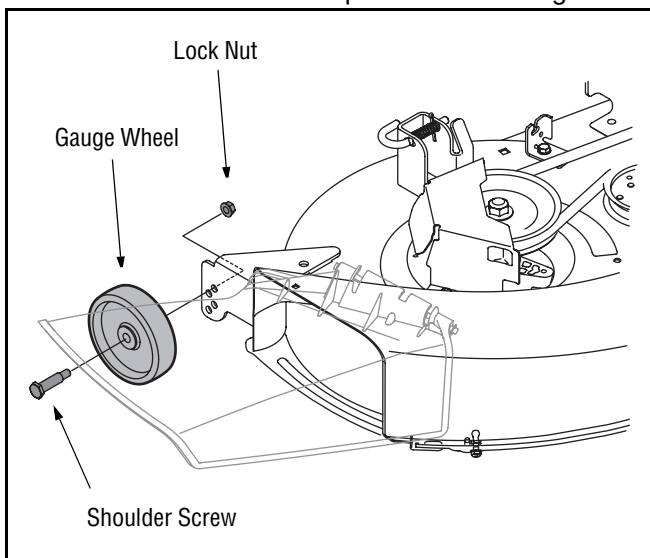


Figure 5

- e. Note the position of the index hole used; then install the other rear gauge wheel into the corresponding index hole of the other gauge wheel brackets.

- If the gauge wheels have excessive clearance with the surface below, lower the wheels to the index hole that provides the approximate 1/2" clearance as described above.

Refer to **Leveling the Deck** on page 28 of this manual for more detailed instructions regarding various deck adjustments.

## Gas and Oil Fill-up



**WARNING:** Use extreme care when handling gasoline. Gasoline is extremely flammable and the vapors are explosive. Never fuel machine indoors or while the engine is hot or running. Extinguish cigarettes, cigars, pipes, and other sources of ignition before filling the fuel tank.

**Service the engine with gasoline and oil as instructed in the separate engine manual packed with your tractor. Read instructions carefully.**

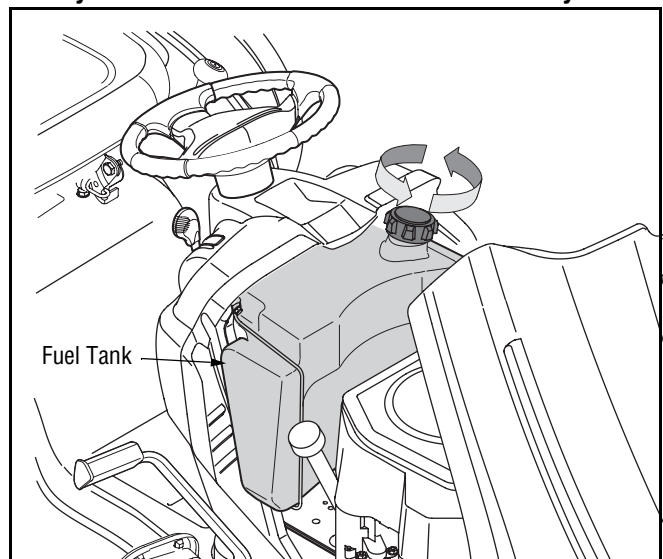
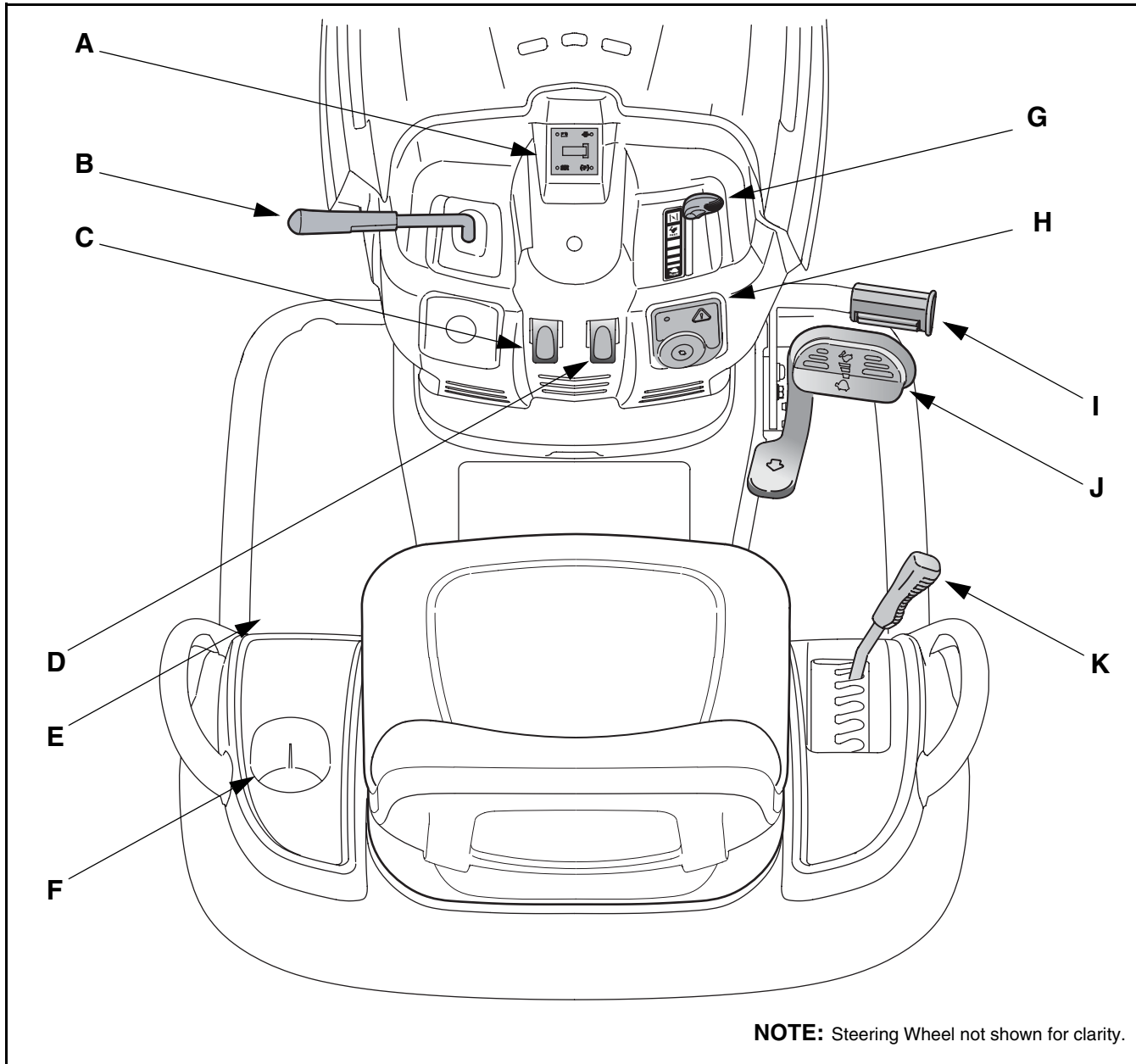


Figure 6

**IMPORTANT:** Your tractor is shipped with oil in the engine. However, you **MUST** check the oil level before operating. Refer to the separate engine manual packed with your tractor.

## SECTION 5: KNOW YOUR LAWN TRACTOR



**Figure 7**

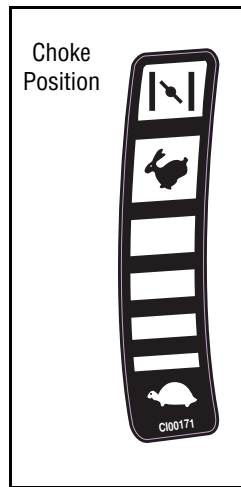
- |   |                                   |
|---|-----------------------------------|
| <b>A</b> Systems Indicator Monitor/Hour Meter | <b>G</b> Throttle / Choke Control |
| <b>B</b> PTO (Blade Engage) Lever             | <b>H</b> Ignition Switch Module   |
| <b>C</b> Parking Brake Lever                  | <b>I</b> Brake Pedal              |
| <b>D</b> Cruise Control Lever                 | <b>J</b> Drive Pedal              |
| <b>E</b> Shift Lever                          | <b>K</b> Deck Lift Lever          |
| <b>F</b> Cup Holder                           |                                   |

**NOTE:** Any reference in this manual to the RIGHT or LEFT side of the tractor is observed from operator's position.

## Throttle / Choke Control

The throttle/choke control is located on the right side of the tractor's dash panel. This lever controls the speed of the engine and, when pushed all the way forward, closes the choke for cold starting. When set in a given position, the throttle will maintain a uniform engine speed.

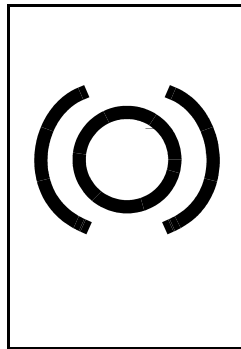
**IMPORTANT:** When operating the tractor with the cutting deck engaged, be certain that the throttle/choke control is **always** in the FAST (rabbit) position.



## Brake Pedal

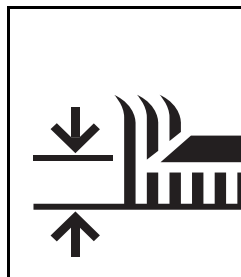
The brake pedal is located on the right front side of the tractor above the drive pedal along the running board. The brake pedal can be used for sudden stops or setting the parking brake.

**NOTE:** The brake pedal must be fully pressed to activate the safety interlock switch when starting the tractor.



## Deck Lift Lever

Found on your tractor's right fender, the deck lift lever is used to change the height of the cutting deck. To use, move the lever to the left, then place in the notch best suited for your application.



## Ignition Switch Module



**WARNING:** Never leave a running machine unattended. Always disengage the PTO, move the shift lever into Neutral, set the parking brake, stop the engine and remove the key to prevent unintended starting.

To start the engine, insert the key into the ignition switch and turn clockwise to the **START** position. Release the key into the **NORMAL MOWING MODE** position once the engine has fired.

To stop the engine, turn the ignition key counterclockwise to the **STOP** position. See Figure 8.

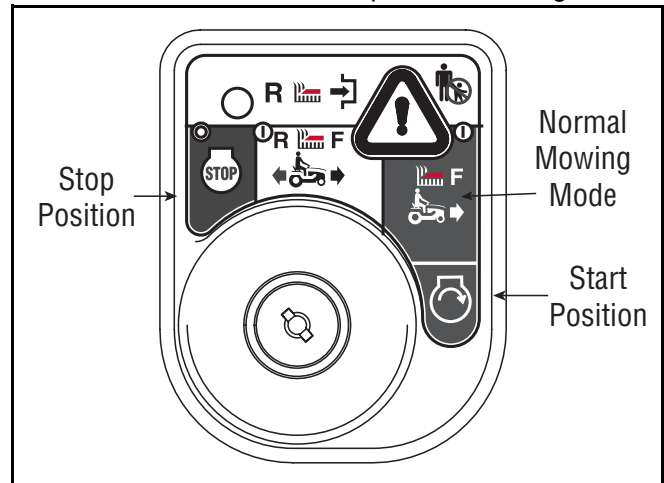


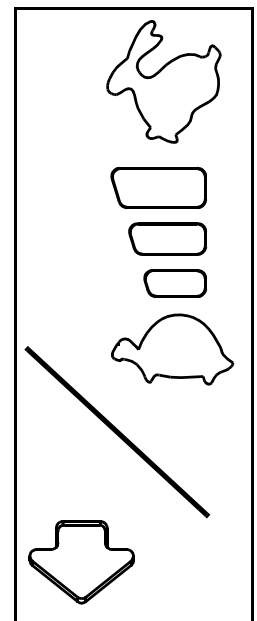
Figure 8

**IMPORTANT:** Prior to operating the tractor, refer to **Safety Interlock System** on page 16 and **Reverse Caution Mode** on page 16 of this manual for detailed instructions regarding the Ignition Switch Module and operating the tractor in **REVERSE CAUTION MODE**.

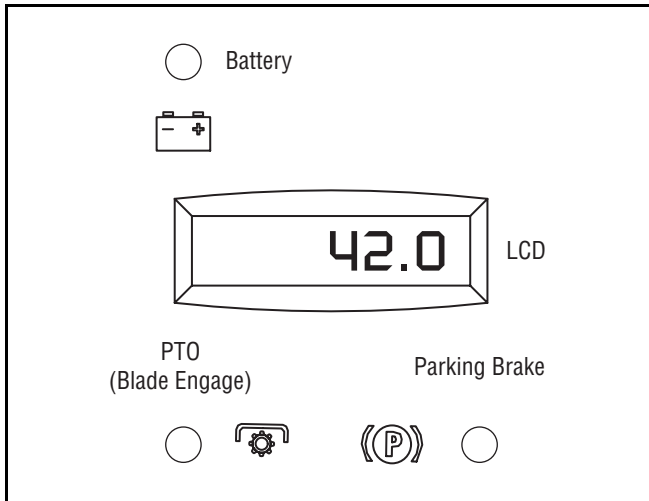
## Drive Pedal

The drive pedal is located on the right side of the tractor, along the running board. Press the upper portion of the drive pedal forward to cause the tractor to travel forward. Press the lower portion of the drive pedal with the ball of your right foot (NOT your heel) to cause the tractor to travel in reverse. Ground speed is also controlled with the drive pedal. The further forward or rearward that the pedal is pivoted, the faster the tractor will travel. The pedal will return to its original position when it's not pressed.

**IMPORTANT:** Always set the parking brake when leaving the tractor unattended.



## Systems Indicator Monitor / Hour Meter



### LCD

Located in the center of the tractor's console, the systems indicator monitor records, and displays on its LCD, hours of tractor operation whenever the ignition key is rotated out of the STOP position.

The Indicator Monitor will also remind the operator of maintenance intervals for changing the engine oil. The LCD will alternately flash the recorded hours, "CHG" and "OIL" for five minutes, after every 50 hours of recorded operation elapse. The maintenance interval lasts for two hours (from 50-52, 100-102, 150-152, etc.). The LCD will also flash as described above for five minutes every time the tractor's engine has been started during this maintenance interval. Before the interval expires, change the crankcase oil as instructed on page 26 of this manual.

### Brake

If the Brake light illuminates when attempting to start the tractor's engine, press the brake pedal.

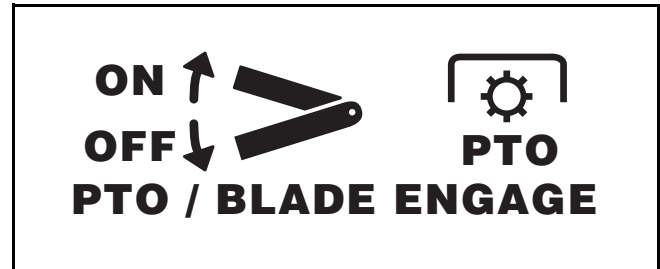
### PTO (Blade Engage)

If the PTO light illuminates when attempting to start the tractor's engine, move the PTO lever into the disengaged (OFF) position.

### Battery

It is normal for the Battery light to illuminate while the engine is **cranking** during start-up, but if it illuminates during operation, **while the engine is running**, the battery is in need of a charge or the engine's charging system is not generating sufficient amperage. Refer to the **MAINTAINING YOUR LAWN TRACTOR** section of this manual for the proper battery charging procedure or have the charging system checked by an authorized Toro service dealer.

## PTO (Blade Engage) Lever



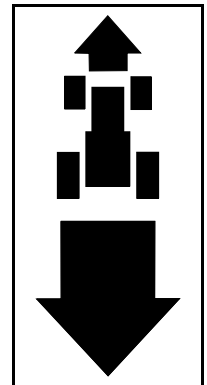
The PTO (Blade Engage) lever is located on the left side of the dash, next to the steering wheel. Move the PTO (Blade Engage) lever forward to engage the power to the cutting deck or other (separately available) attachments; move the PTO (Blade Engage) lever rearward to disengage the power to the attachments.

**NOTE:** The PTO (Blade Engage) lever **must** be in the disengaged (OFF) position when starting the engine.

## Cruise Control Lever

The cruise control lever is located on the tractor dash panel, below the steering wheel. Push the cruise control lever downward while traveling forward at a desired speed. While holding the lever down, release pressure from the drive pedal.

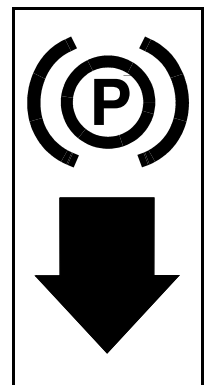
This will engage the cruise control and allow the tractor to remain at that speed without applying pressure to the drive pedal. Press the brake pedal or the drive pedal to deactivate cruise control. Refer to page 18 for detailed instructions regarding cruise control.



**NOTE:** Cruise control **cannot** be engaged at the tractor's fastest ground speed. If the operator should attempt to do so, the tractor will automatically decelerate to the fastest optimal mowing ground speed.

## Parking Brake Lever

To set the parking brake, fully press the brake pedal and push the parking brake lever down. Hold the lever down while taking your foot off the brake pedal. Both the parking lever and the brake pedal will then stay pressed. To release the parking brake, press the brake pedal slightly. The parking brake lever will then return to its original position.



**IMPORTANT:** Always set the parking brake when leaving the tractor unattended.



## SECTION 6: OPERATING YOUR LAWN TRACTOR

### Safety Interlock System

This tractor is equipped with a safety interlock system for the protection of the operator. Before each use, check the safety interlock system for proper operation. If the interlock system should ever malfunction, do not operate the tractor. Contact an authorized Toro service dealer.

- The safety interlock system prevents the engine from cranking or starting unless the parking brake is engaged, and the PTO (Blade Engage) lever is in the disengaged (OFF) position. To check for proper operation, move the PTO (Blade Engage) lever into the engaged (ON) position and release the parking brake. Attempts to start the tractor's engine should fail.
- The engine will automatically shut off if the operator leaves the seat before engaging the parking brake. To check for proper operation, start the tractor's engine, release the parking brake and momentarily raise yourself from the seat. The engine should stall.
- The engine will automatically shut off if the operator leaves the tractor's seat with the PTO (Blade Engage) lever in the engaged (ON) position, regardless of whether the parking brake is engaged. To check for proper operation, start the tractor's engine, move the PTO (Blade Engage) lever in the engaged (ON) position and momentarily raise yourself from the seat. The engine should stall.
- With the ignition key in the **NORMAL MOWING** position, the engine will automatically shut off if the PTO (Blade Engage) lever is moved into the engaged (ON) position with the drive pedal in position for Reverse travel. To check for proper operation, start the tractor's engine with the ignition key in the **NORMAL MOWING** position, move the PTO (Blade Engage) lever in the engaged (ON) position, and place the shift lever into REVERSE. The engine should stall.



**WARNING:** Do not operate the tractor if the interlock system is malfunctioning. This system was designed for your safety and protection.

### Reverse Caution Mode

The **REVERSE CAUTION MODE** position of the key switch module allows the tractor to be operated in reverse with the blades (PTO) engaged.

**IMPORTANT:** *Mowing in reverse is not recommended.*



**WARNING:** Use extreme caution while operating the tractor in the **REVERSE CAUTION MODE**. Always look down and behind before and while backing. Do not operate the tractor when children or others are around. Stop the tractor immediately if someone enters the area.

To use the **REVERSE CAUTION MODE**:

**IMPORTANT:** *The operator MUST be seated in the tractor seat.*

1. Start the engine as previously instructed in this Operator's Manual.
2. Turn the key from the **NORMAL MOWING** (Green) position to the **REVERSE CAUTION MODE** (White) position of the key switch module. See Figure 9.
3. Press the **REVERSE PUSH BUTTON** (Orange, Triangular Button) at the top, right corner of the key switch module. The red indicator light at the top, left corner of the key switch module will be **ON** while activated. See Figure 9.
4. Once activated (indicator light **ON**), the tractor can be driven in reverse with the cutting blades (PTO) engaged.
5. Always look down and behind before and while backing to make sure no children are around.
6. After resuming forward motion, return the key to the **NORMAL MOWING** position.

**IMPORTANT:** The **REVERSE CAUTION MODE** will remain activated until:

- a. The key is placed in either the **NORMAL MOWING** position or **STOP** position.
- b. The operator engages the parking brake by fully depressing the brake pedal and holding it down while gently pushing the parking brake button inward.

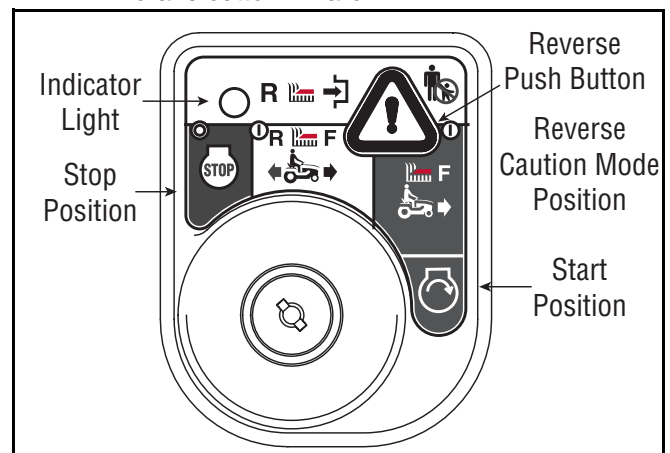


Figure 9



## Starting the Engine



**WARNING:** Do not operate the tractor if the interlock system is malfunctioning. This system was designed for your safety and protection.

**NOTE:** Service the engine with gasoline and oil as instructed in the separate engine manual packed with your tractor. Read instructions carefully.

1. Insert the tractor key into the ignition switch module.
2. Place the PTO (Blade Engage) lever in the disengaged (OFF) position.
3. Engage the tractor's parking brake.
4. Activate the choke control.
5. Turn the ignition key clockwise to the START position. After the engine starts, release the key. It will return to the **NORMAL MOWING** position.

**IMPORTANT:** Do NOT hold the key in the START position for longer than ten seconds at a time. Doing so may cause damage to your engine's electric starter.

6. After the engine starts, deactivate the choke control.

**NOTE:** Do NOT leave the choke control on while operating the tractor. Doing so will result in a "rich" fuel mixture and cause the engine to run poorly.

## Stopping the Engine



**WARNING:** If you strike a foreign object, stop the engine and remove the ignition key. Thoroughly inspect the machine for any damage. Repair the damage before restarting and operating

1. If the blades are engaged, place the PTO/Blade Engage lever in the disengaged (OFF) position.
2. Position the throttle/choke control between half-throttle and the FAST (rabbit) position.
3. Turn the ignition key counterclockwise to the STOP position.
4. Remove the key from the ignition switch to prevent unintended starting.

## Driving The Tractor



**WARNING:** Avoid sudden starts, excessive speed and sudden stops.



**WARNING:** Do not leave the seat of the tractor without first placing the PTO/Blade Engage knob in the disengaged (OFF) position, pressing the brake pedal and engaging the parking brake. If leaving the tractor unattended, also turn the ignition key off and remove the key.

- Briefly depress the brake pedal to release the parking brake. Move the throttle lever into the FAST (rabbit) position.
- To travel FORWARD, slowly press the upper portion of the drive pedal forward until the desired speed is achieved. See Figure 10.

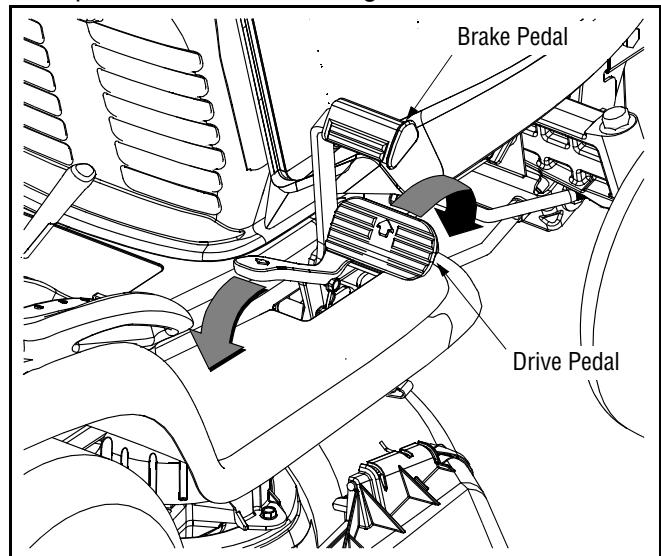


Figure 10

- To travel in REVERSE, check that the area behind is clear then slowly press the lower portion of the drive pedal with the ball of your foot (NOT your heel) until the desired speed is achieved. See Figure 10.

**IMPORTANT:** Do NOT attempt to change the direction of travel when the tractor is in motion. Always bring the tractor to a **complete** stop before pivoting the drive pedal from forward to reverse or vice versa.

## Driving On Slopes

Refer to the **SLOPE GAUGE** on page 9 to help determine slopes where you may operate the tractor safely.



**WARNING:** Do not mow on inclines with a slope in excess of 15 degrees (a rise of approximately 2-1/2 feet every 10 feet). The tractor could overturn and cause serious injury.

- Mow up and down slopes, **NEVER** across.
- Exercise extreme caution when changing direction on slopes.
- Watch for holes, ruts, bumps, rocks, or other hidden objects. Uneven terrain could overturn the machine. Tall grass can hide obstacles.
- Avoid turns when driving on a slope. If a turn must be made, turn down the slope. Turning up a slope greatly increases the chance of a roll over.
- Avoid stopping when driving up a slope. If it is necessary to stop while driving up a slope, start up smoothly and carefully to reduce the possibility of flipping the tractor over backward.

## Setting The Cruise Control



**WARNING:** Never engage cruise control while traveling in Reverse.

1. Slowly press the drive pedal until the desired speed is achieved.
2. Lightly press the cruise control lever.
3. While continuing to hold the cruise lever down, lift your foot from the drive pedal (you should feel the cruise latch engage).
4. Once engaged, the cruise control lever and the drive pedal will lock in the “down” position, and the tractor will maintain the same forward speed.

**NOTE:** *Cruise control can not be set at the tractor's fastest ground speed. If the operator should attempt to do so, the tractor will automatically decelerate to the fastest optimal mowing ground speed.*

Disengage the cruise control using one of the following methods:

- Press the brake pedal to disengage the cruise control and stop the tractor.
- Lightly press the drive pedal.

To change to the reverse direction when operating with cruise control, press the brake pedal to disengage the cruise control and bring the tractor to a complete stop. Then slowly press the rear portion of the drive pedal with the ball of your foot to travel in reverse.

## Engaging the Parking Brake

To engage the parking brake:

1. Fully press the brake pedal and hold it while gently pushing the parking brake lever downward.
2. Hold the parking brake lever down while removing your foot from the brake pedal.
3. Once engaged, the parking brake lever and the brake pedal will lock in the “down” position.

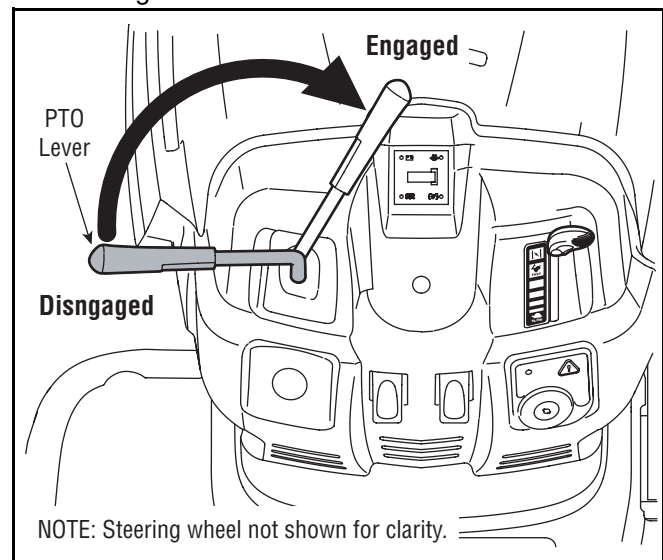
To disengage the parking brake, slightly press the brake pedal.

**NOTE:** *The parking brake must be engaged if the operator leaves the seat with the engine running or the engine will automatically shut off.*

## Engaging the Blades

Engaging the PTO (Blade Engage) transfers power to the cutting deck or other (separately available) attachments. To engage the blades, proceed as follows:

1. Move the throttle/choke control to the FAST (rabbit) position.
2. Grasp the PTO (Blade Engage) lever and pivot it all the way forward into the engaged (ON) position. See Figure 11.



**Figure 11**

3. Keep the throttle/choke control in the FAST (rabbit) position for the most efficient use of the cutting deck or other (separately available) attachments

**IMPORTANT:** The engine will automatically shut off if the PTO is engaged with the shift lever in position for reverse travel and the ignition key in the **NORMAL MOWING** position. Refer to **Safety Interlock System** on page 28.

## Using the Deck Lift Lever

To raise the cutting deck, move the deck lift lever to the left, then place it in the notch best suited for your application.

## Mowing



**WARNING:** To help avoid blade contact or a thrown object injury, keep bystanders, helpers, children and pets at least 75 feet from the machine while it is in operation. Stop machine if anyone enters the area.

The following information will be helpful when using the cutting deck with your tractor.



**WARNING:** Plan your mowing pattern to avoid discharge of materials toward roads, sidewalks, bystanders and the like. Also, avoid discharging material against a wall or obstruction which may cause discharged material to ricochet back toward the operator.

- Do not mow at high ground speed, especially if a mulch kit or grass collector is installed.
- For best results it is recommended that the first two laps be cut with the discharge thrown towards the center. After the first two laps, reverse the direction to throw the discharge to the outside for the balance of cutting. This will give a better appearance to the lawn.
- Do not cut the grass too short. Short grass invites weed growth and yellows quickly in dry weather.
- Mowing should always be done with the throttle control in the FAST (rabbit) position.
- Under heavy conditions it may be necessary to go over the cut area a second time to get a clean cut.
- Do NOT attempt to mow heavy brush and weeds and extremely tall grass. Your tractor is designed to mow lawns, NOT clear brush.
- Keep the blades sharp and replace the blades when worn. Refer to **Cutting Blades** on page 28 of this manual for proper blade sharpening instructions.

## SECTION 7: MAKING ADJUSTMENTS



**WARNING:** Never attempt to make any adjustments while the engine is running,

### Seat Adjustment

To adjust the position of the seat, loosen the two knobs on the bottom of the seat. See Figure 12. Slide the seat forward or rearward as desired. Retighten the two knobs.

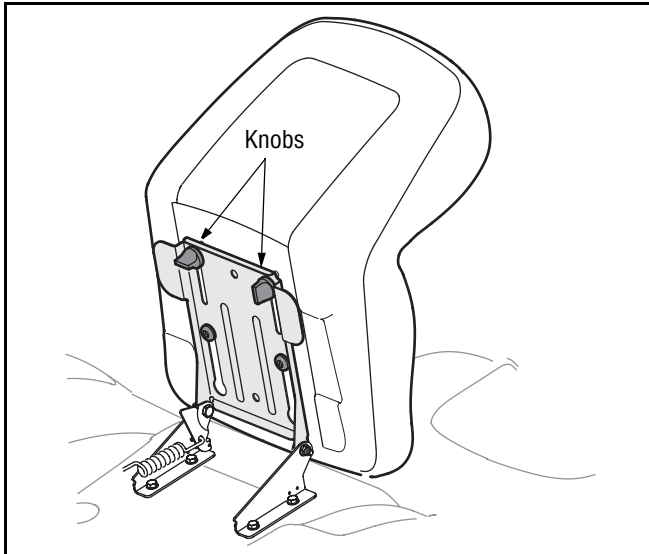


Figure 12

### Leveling the Deck

**NOTE:** Check the tractor's tire pressure before performing any deck leveling adjustments. Refer to **Tires** on page 24 for information regarding tire pressure.

#### Front To Rear

The front of the cutting deck is supported by a stabilizer bar that can be adjusted to level the deck from front to rear. The front of the deck should be between 1/4-inch and 3/8-inch lower than the rear of the deck. Adjust if necessary as follows:

1. With the tractor parked on a firm, level surface, place the deck lift lever in the top notch (highest position) and rotate the blade nearest the discharge chute so that it is parallel with the tractor.
2. Measure the distance from the front of the blade tip to the ground and the rear of the blade tip to the ground.
3. The first measurement taken should be between 1/4" and 3/8" less than the second measurement.
4. Determine the approximate distance necessary for proper adjustment and proceed, if necessary, to the next step.
5. From the front of the tractor, loosen the outermost hex lock nut on the end of the deck hanger rod. See Figure 13.
6. Tighten the inner hex nut front against the front hanger bracket to raise the front of the deck; loosen the hex nut to lower the front of the deck. See Figure 13.

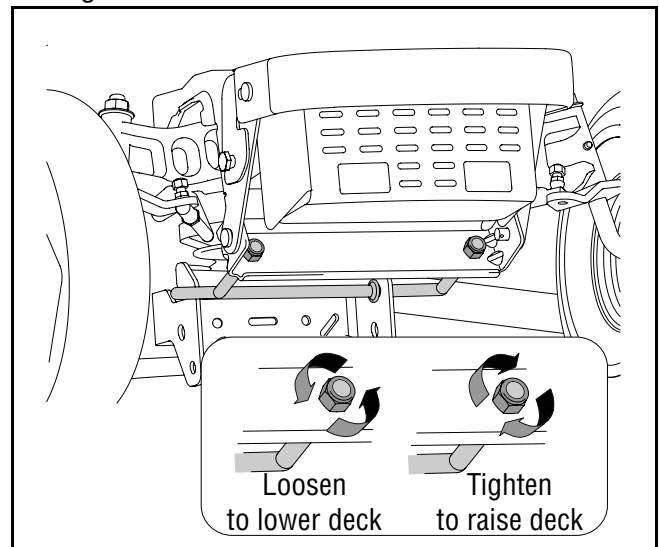


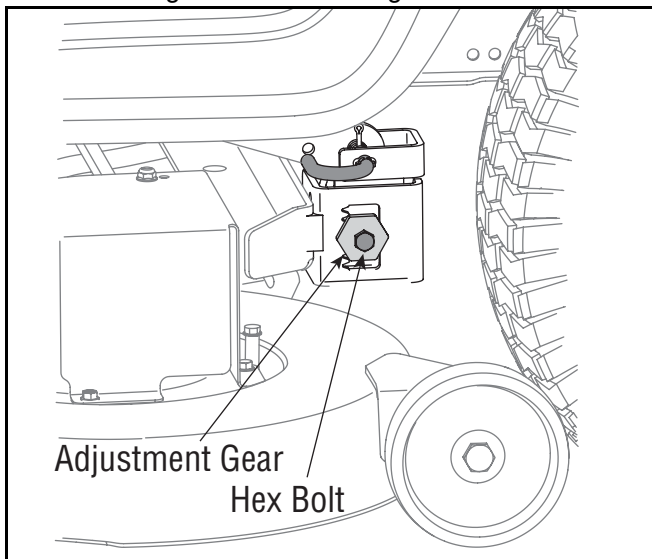
Figure 13

7. Retighten the two lock nuts against the inner hex nuts when proper adjustment is achieved.

## Side to Side

If the cutting deck appears to be mowing unevenly, a side to side adjustment can be performed. Adjust if necessary as follows:

1. With the tractor parked on a firm, level surface, place the deck lift lever in the top notch (highest position) and rotate both blades so that they are perpendicular with the tractor.
2. Measure the distance from the outside of the left blade tip to the ground and the distance from the outside of the right blade tip to the ground. Both measurements taken should be equal. If they're not, proceed to the next step.
3. Loosen, but do NOT remove, the hex bolt on the left deck hanger bracket. See Figure 14.



**Figure 14**

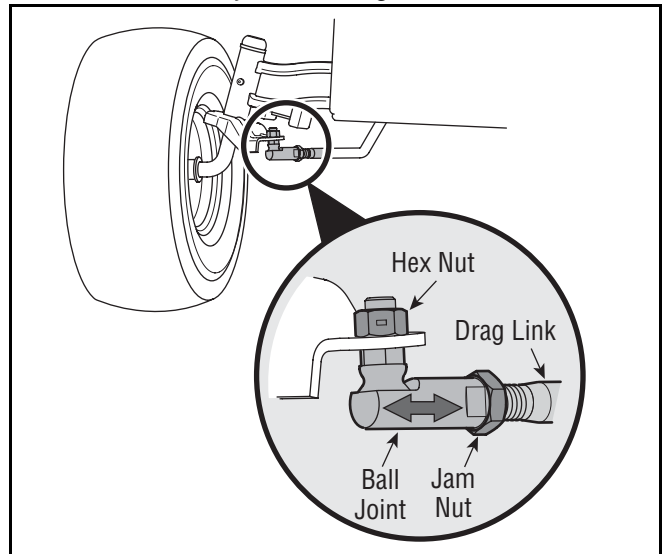
4. Balance the deck by using a wrench to turn the adjustment gear (See Figure 14) up or down.
5. The deck is properly balanced when both blade tip measurements taken earlier are equal.
6. Retighten the hex bolt on the left deck hanger bracket when proper adjustment is achieved.

## Steering Adjustment

If the tractor turns tighter in one direction than the other, or if the ball joints are being replaced due to damage or wear, the steering drag links may need to be adjusted.

Adjust the drag links so that equal lengths are threaded into the ball joint on the left side and the ball joint on the right side:

1. Loosen the jam nut found on the drag link at the rear of the ball joint. See Figure 15.



**Figure 15**

2. Remove the hex nut on the top of ball joint. See Figure 15.
3. Thread the ball joint toward the jam nut to shorten the drag link. Thread the ball joint away from the jam nut to lengthen the drag link.
4. Replace hex nut and retighten the jam nut after proper adjustment is achieved.

**NOTE:** *Threading the ball joints too far onto the drag links will cause the front tires to "toe-in" too far. Proper toe-in is between 1/16" and 5/16".*

Front tire toe-in can be measured as follows:

1. Place the steering wheel in position for straight ahead travel.
2. In front of the axle, measure the distance horizontally from the inside of the left rim to the inside of the right rim. Note the distance.
3. Behind the axle, measure the distance horizontally from the inside of the left rim to the inside of the right rim. Note the distance.
4. The measurement taken in front of the axle should be between 1/16" and 5/16" less than the measurement taken behind the axle.
5. Adjust if necessary.

## SECTION 8: MAINTAINING YOUR LAWN TRACTOR

**NOTE:** Refer to Maintenance Chart on page 30 for a reference of recommended maintenance intervals.



**WARNING:** Before performing any maintenance or repairs, disengage PTO, set parking brake, stop engine and remove key to prevent unintended starting.

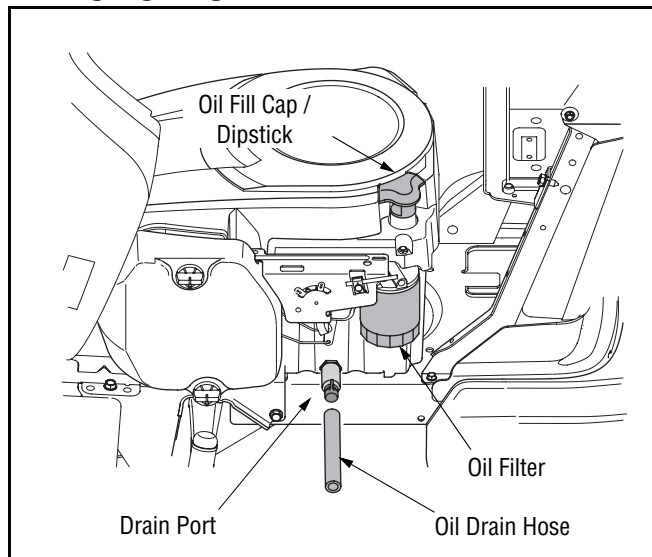
### Engine

Refer to the separate engine manual for engine maintenance instructions.

Check **engine oil level** before each use as instructed in the separate engine manual packed with your unit.

**Read and follow instructions carefully.**

### Changing Engine Oil



**Figure 16**

- Unscrew oil fill cap and remove dipstick from the oil fill tube. See Figure 16.
- Pop open the protective cap on the end of the oil drain valve to expose the oil drain port. See Figure 16.
- Push oil drain hose (packed with unit) onto the oil drain port. Route the opposite end of the hose into an appropriate oil collection container with a capacity great enough to collect the used oil.
- After the oil has finished draining, push the oil drain valve in slightly, then rotate counterclockwise and pull outward to begin draining oil.
- Service the **oil filter** (if so equipped) as instructed in the separate engine manual packed with your unit.
- Refill the engine with new motor oil.

- Refill the engine with the proper capacity and weight of motor oil as instructed in the separate engine manual.

To service the **air cleaner**, refer to the separate engine manual packed with your unit.

The **spark plug(s)** should be cleaned and the gap reset once a season. Spark plug replacement is recommended at the start of each mowing season; check engine manual for correct plug type and gap specifications.

### Fuel Filter



**WARNING:** Do not replace the fuel filter when the engine is hot.

The engine is equipped with an inline fuel filter located on the right side of the engine.

Visually inspect the filter periodically for a build-up of residue inside the filter body, and for a dirty element which can be indicated by discoloration. Replace the fuel filter when dirty.

### Cleaning the Engine and Deck

Any fuel or oil spilled on the machine should be wiped off promptly.

Do NOT allow debris to accumulate around the cooling fins of the engine or on any other part of the machine, especially the belts and pulleys.

### Deck Wash System™

Your tractor's deck may be equipped with a water port on its surface as part of its deck wash system. Use the Deck Wash System™ (sold separately) to rinse grass clippings from the deck's underside and prevent the buildup of corrosive chemicals. Complete the following steps **AFTER EACH MOWING**:

1. Drive the tractor to a level, clear spot on your lawn, near enough to a water sillcock (spigot) for your garden hose to reach.

**IMPORTANT:** Make certain the tractor's discharge chute is directed **AWAY** from your house, garage, parked cars, etc.

2. Disengage the PTO (Blade Engage), move the shift lever into the neutral position, set the parking brake, and stop the engine.
3. Thread the hose coupler (packaged with your tractor's Operator's Manual) onto the end of your garden hose.
4. Attach the hose coupler to the water port on your decks surface. See Figure 6-2.

5. Turn the water on.
6. While sitting in the operator's position on the tractor, re-start the engine and place the throttle lever in the FAST (rabbit) position.
7. Move the tractor's PTO (Blade Engage) into the ON position.
8. Remain in the operator's position with the cutting deck engaged for a minimum of two minutes, allowing the underside of the cutting deck to thoroughly rinse.
9. Move the tractor's PTO (Blade Engage) into the OFF position.
10. Turn the ignition key to the STOP position to turn the tractor's engine off and engage the parking brake.
11. Turn the water off and detach the hose coupler from the water port on your decks surface.
12. Repeat steps 4-11 on the opposite side of the cutting deck.

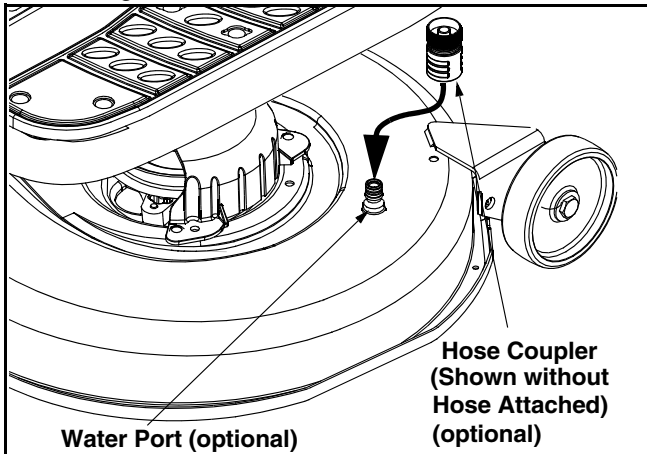


Figure 17

## Lubrication



**WARNING:** Before lubricating, repairing, or inspecting, always disengage PTO, move shift lever into neutral position, set parking brake, stop engine and remove key to prevent unintended starting.

### Engine

Lubricate the engine with motor oil as instructed in the Engine Owner's Manual packed with your unit.

### Pivot Points & Linkage

Lubricate all the pivot points on the drive system, parking brake and lift linkage at least once a season with light oil.

### Front Wheels

Each of the front wheel axles is equipped with a grease fitting. Lubricate with a grease gun after every 25 hours of tractor operation. See Figure 18.

### Rear Wheels

The rear wheels should be removed from the axles once a season. Lubricate the axles and the rims well with an all-purpose grease before re-installing them.

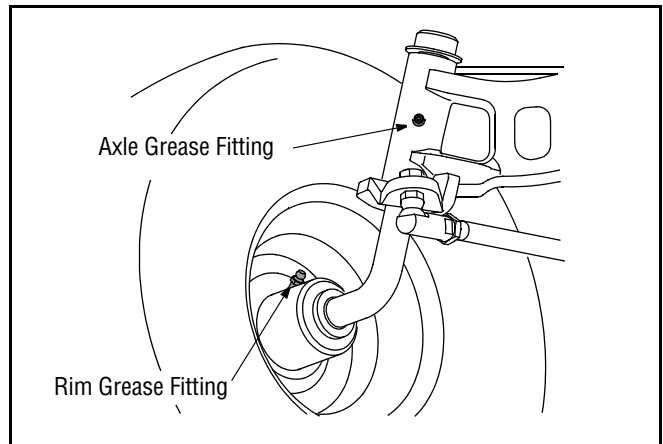


Figure 18

## SECTION 9: SERVICE

### Tires



**WARNING:** Never exceed the maximum inflation pressure shown on the sidewall of the tire.

The recommended operating tire pressure is 10 psi for the rear tires and 14 psi for the front tires. Refer to the tire sidewall for exact tire manufacturer's recommended or maximum psi. Do not overinflate. Uneven tire pressure could cause the cutting deck to mow unevenly.

### Fuse

A 20 amp fuse is installed in your tractor's wiring harness to protect the tractor's electrical system from damage caused by excessive amperage.

If the electrical system does not function, or your tractor's engine will not crank, first check to be certain that the fuse has not blown.

It can be found under the hood mounted between the dash panel and fuel tank on the right-hand support bar.

**IMPORTANT:** Always use a 20 amp fuse for replacement.



**WARNING:** Before lubricating, repairing, or inspecting, always disengage PTO, move shift lever into neutral position, set parking brake, stop engine and remove key to prevent unintended starting.

### Cutting Blades



**WARNING:** Be sure to shut the engine off, remove ignition key, disconnect the spark plug wire(s) and ground against the engine to prevent unintended starting before removing the cutting blade(s) for sharpening or replacement. Protect your hands by using heavy gloves or a rag to grasp the cutting blade.



**WARNING:** Periodically inspect the blade adapter and/or spindle for cracks or damage, especially if you strike a foreign object. Replace immediately if damaged.

The blades may be removed as follows.

- Remove the deck from beneath the tractor, (refer to DECK REMOVAL) then gently flip the deck over to expose its underside.

- Place a block of wood between the center deck housing baffle and the cutting blade to act as a stabilizer. See Figure 19.
- Use a 15/16" wrench to remove the hex flange nut that secures the blade to the spindle assembly. See Figure 19.

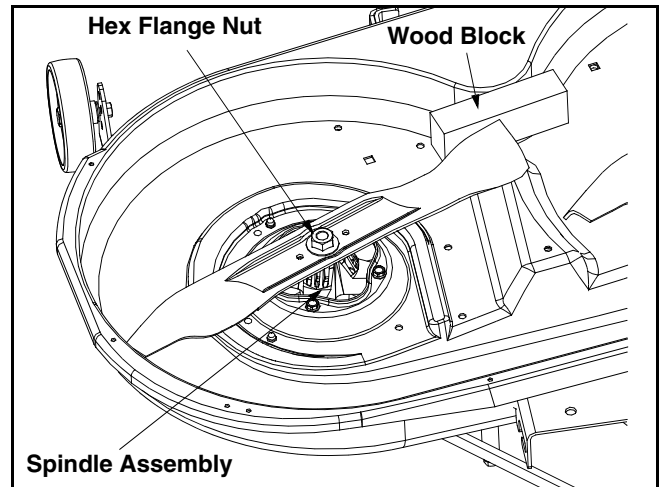


Figure 19

- To properly sharpen the cutting blades, remove equal amounts of metal from both ends of the blades along the cutting edges, parallel to the trailing edge, at a 25° to 30° angle.

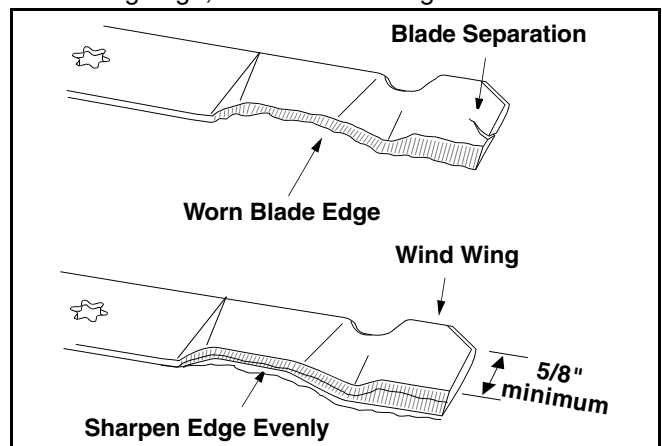


Figure 20

**IMPORTANT:** If the cutting edge of the blade has already been sharpened to within 5/8" of the wind wing radius, or if any metal separation is present, replace the blades with new ones.

It is important that each cutting blade edge be ground equally to maintain proper blade balance. A poorly balanced blade will cause excessive vibration and may cause damage to the tractor and result in personal injury.



**IMPORTANT:** When replacing the blade, be sure to install the blade with the side of the blade marked “Bottom” (or with a part number stamped in it) facing the ground when the mower is in the operating position.

**IMPORTANT:** Use a torque wrench to tighten blade spindle hex flange nut to between 70 ft-lbs (95N-m) and 90 ft-lbs (122 N-m).

## Battery

The battery is sealed and is maintenance-free. Acid levels cannot be checked.



**WARNING:** Shield eyes (e.g. goggles, face shield) and protect skin and clothing when handling battery acid or a battery containing acid.

- Always keep the battery cables and terminals clean and free of corrosive build-up.
- After cleaning the battery and terminals, apply a light coat of petroleum jelly or grease to both terminals.
- Always keep the rubber boot positioned over the positive terminal to prevent shorting.

**IMPORTANT:** If removing the battery for any reason, disconnect the NEGATIVE (Black) wire from it's terminal first, followed by the POSITIVE (Red) wire. When re-installing the battery, always connect the POSITIVE (Red) wire its terminal first, followed by the NEGATIVE (Black) wire. Be certain that the wires are connected to the correct terminals; reversing them could change the polarity and cause damage to your engine's alternating system.

## Jump Starting



**WARNING:** Never jump start a damaged or frozen battery (a battery can be identified as frozen if its sides are bulged out, it's frosty and it feels very solid). Be certain the vehicles do not touch, and ignitions are off. Do not allow cable clamps to touch.

1. Connect positive (+) cable to positive post (+) of your tractor's discharged battery.
2. Connect the other end of the (+) cable to the positive (+) post of the jumper battery.
3. Connect the second negative (-) cable to the negative (-) post of the jumper battery.
4. Make the final connection on the engine block of the stalled tractor, away from the battery. Attach to a unpainted part to assure a good connection.

**IMPORTANT:** If the jumper battery is installed on a vehicle (i.e. car, truck), do NOT start the vehicle's engine when jump starting your tractor.

5. Start the tractor (as instructed on page 17).
6. Set the tractor's parking brake before removing the jumper cables, in reverse order of connection.

7. Allow the tractor's engine to run for 15 minutes before shutting it off to allow the alternator time to charge the discharged battery.

**IMPORTANT:**

1. Battery wires must be connected to the correct terminals. Reversing them could change the polarity and damage engine's alternating system.
2. Do not jump-start a damaged battery.
3. When storing the battery, disconnect the negative terminal and store with full charge.

## Charging



**WARNING:** Batteries give off an explosive gas while charging. Charge the battery in a well ventilated area and keep away from an open flame or pilot light as on a water heater, space heater, furnace, clothes dryer or other gas appliances.

**IMPORTANT:** When charging your tractor's battery, use only a charger designed for 12V lead-acid batteries. Read your battery charger's Owner's Manual prior to charging your tractor's battery. Always follow its instructions and heed its warnings.

If your tractor has not been put into use for an extended period of time, charge the battery as follows:

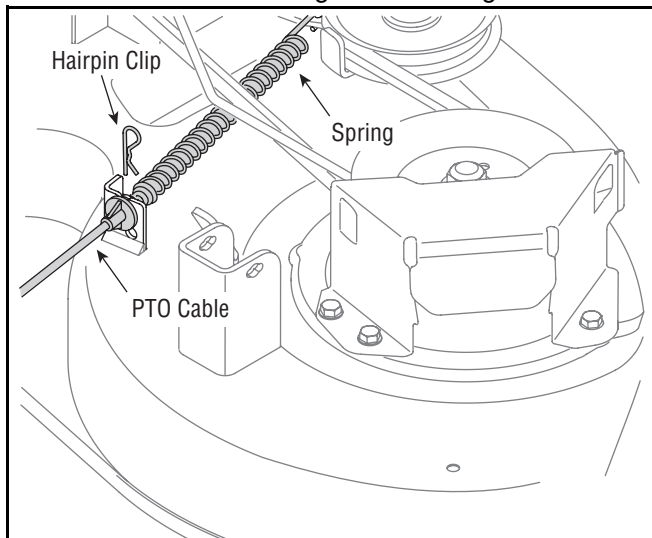
1. Set your battery charger to deliver a maximum of 10 amperes.
2. If your battery charger is automatic, charge the battery until the charger indicates that charging is complete. If the charger is not automatic, charge for no fewer than eight hours.

## Cutting Deck Removal

To remove the cutting deck, proceed as follows:

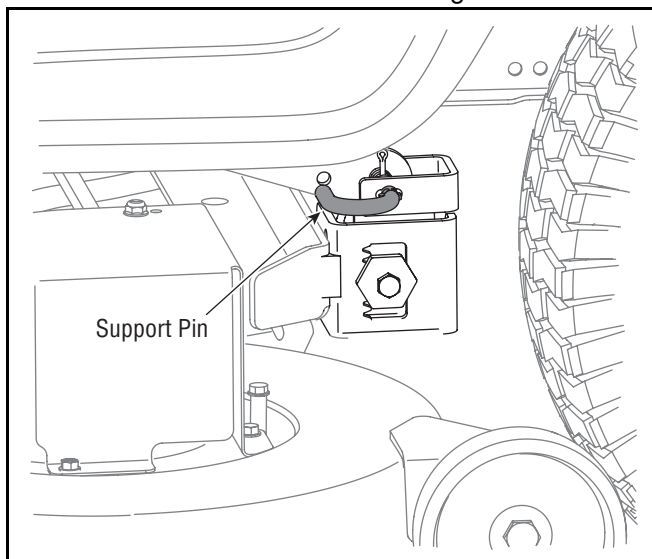
1. Place the PTO/Blade Engage lever in the disengaged (OFF) position and engage the parking brake.
2. Lower the deck by moving the deck lift lever into the bottom notch on the right fender.
3. Remove the hairpin clip that secures the PTO cable

to the rear of the cutting deck. See Figure 21.



**Figure 21**

4. Remove the PTO cable and accompanying spring from the cutting deck.
5. Remove the deck belt from around the tractor's engine pulley.
6. Looking at the cutting deck from the left side of the tractor, locate the deck support pin on the rear left side of the deck.
7. Pull the deck support pin outward to release the deck from the deck lift arm. See Figure 22.



**Figure 22**

8. Repeat the above steps on the tractor's right side.
9. Move the deck lift lever into the top notch to raise the deck lift arms up and out of the way.
10. Gently slide the cutting deck toward the front of the tractor allowing the hooks on the deck to release themselves from the deck stabilizer rod.
11. Gently slide the cutting deck (from the right side) out from underneath the tractor.

## Changing the Upper Deck Belt



**WARNING:** Be sure to shut the engine off, engage the parking brake and remove the ignition key to prevent unintended starting before removing the belt.



**WARNING:** Avoid the possibility of a pinching injury. Do not place your fingers on the idler spring or between the belt and a pulley while removing the belt.

All belts on your tractor are subject to wear and should be replaced if any signs of wear are present.

**IMPORTANT:** The V-belts found on your tractor are specially designed to engage and disengage safely. A substitute (non-OEM) V-belt can be dangerous by not disengaging completely. For a proper working machine, use factory approved belts.

To change or replace the upper deck belt on your tractor, proceed as follows:

1. Remove the cutting deck.
2. Remove the belt covers by removing the screws that fasten them to the deck. See figure below.
3. Loosen, but do not remove the deck idler pulleys.
4. Remove the deck belt from around all pulleys, including the deck idler pulleys.
5. Route the new belt as shown in the figure below and retighten the deck idler pulleys.
6. Reinstall the belt guards removed earlier and remount the deck to the tractor.

**NOTE:** Several components must be removed and special tools used in order to change the lower deck belt. See your Toro dealer to have this belt replaced.

## 46" Deck (manual PTO shown)

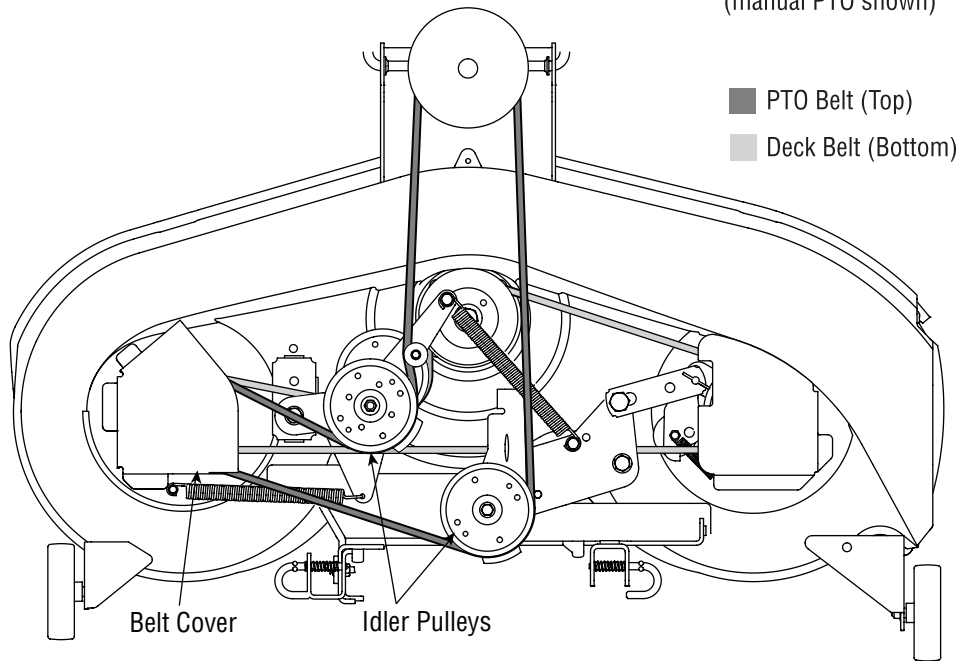


Figure 23

## SECTION 10: OFF-SEASON STORAGE

Clean and lubricate the tractor as instructed in **Section 7: MAINTAINING YOUR LAWN TRACTOR** on page 28 of this manual before storing for an extended period.

### Engine

If the engine will be out of service for two months or more, use the following storage procedure:

1. Clean the exterior surfaces of the engine.
2. Change the oil and filter while the engine is still warm from operation. Refer to **Changing Engine Oil** on page 26.
3. The fuel system must be completely emptied, or the gasoline must be treated with a fuel stabilizer such as *STA-BIL*® to prevent deterioration. If you choose to use a stabilizer, follow the manufacturers recommendations, and add the correct amount for the capacity of the fuel system. Fill the fuel tank with clean, fresh gasoline. Run the engine for 2-3 minutes to get stabilized fuel into the carburetor.

To empty the system, run the engine until the tank and system are empty.



**WARNING:** Drain fuel only into an approved container outdoors, away from an open flame. Allow engine to cool. Extinguish cigarettes, cigars, pipes, and other sources of ignition prior to draining fuel.

1. Remove the spark plug. Add one tablespoon of engine oil into the spark plug hole. Install the plug, but do not reconnect the plug wire. Crank the engine two or three revolutions.
2. Store the engine in a clean, dry place.



**WARNING:** Never store the machine or fuel container indoors where there is an open flame, spark or pilot light such as on water heater, furnace, clothes dryer or other gas appliance.

## SECTION 11: MAINTENANCE CHART

	Before Each Use	Every 10 Hours	Every 25 Hours	Every 50 Hours	Every 200 Hours	Every Season	Prior to Storing
Check Safety Interlock System							
Clean Hood/Dash Louvers							
Check Engine Oil Level							
Replace Air Filter Element							
Change Engine Oil & Filter							
Clean Battery Terminals							
Lube Front Axles and Rims							
Clean Engine Cooling Fins							
Lube Pedal Pivot Points							
Check Spark Plug							
Service Air Filter Element							

## SECTION 12: TROUBLESHOOTING

<b>Trouble</b>	<b>Possible Cause(s)</b>	<b>Corrective Action</b>
Engine fails to start	PTO engaged.  Parking brake not engaged. Spark plug wire(s) disconnected. Throttle control lever not in correct starting position. Choke not activated  Fuel tank empty, or stale fuel. Blocked fuel line. Faulty spark plug. Engine flooded.	Place PTO knob (or lever) in disengaged (OFF) position. Engage parking brake. Connect wire(s) to spark plug(s). Place throttle lever to FAST position.  Pull out the CHOKE control (if so equipped) or place the throttle control in CHOKE position. Fill tank with clean, fresh (less than 30 days old) gas. Clean fuel line or replace fuel filter, if so equipped. Clean, adjust gap or replace plug. Crank engine with throttle in FAST position.
Engine runs erratic	Unit running with CHOKE applied.  Spark plug wire(s) loose. Blocked fuel line or stale fuel.  Vent in gas cap plugged. Water or dirt in fuel system.  Dirty air cleaner.	Push CHOKE control (if so equipped) in, or move the throttle control out of the CHOKE position. Connect and tighten spark plug wire(s). Clean fuel line; fill tank with clean, fresh (less than 30 days old) gasoline. Replace fuel filter, if so equipped. Clear vent or replace cap if damaged. Drain fuel tank. Refill with clean, fresh (less than 30 days old) gasoline. Replace air cleaner cartridge/element or clean pre-cleaner, if so equipped.
Engine overheats	Engine oil level low. Air flow restricted.	Fill crankcase with proper capacity and weight of oil. Clean grass clippings and debris from around the engine's cooling fins and blower housing.
Engine hesitates at high RPM	Spark plug(s) gap too close.	Remove spark plug(s) and reset the gap.
Idles poorly	Spark plug(s) fouled, faulty or gap too wide. Dirty air cleaner.	Replace spark plug(s). Set plug(s) gap.  Replace air cleaner cartridge/element or clean pre-cleaner, if so equipped.
Excessive vibration	Cutting blade loose or unbalanced. Damaged or bent cutting blade.	Tighten blade and spindle. Balance blade. Replace blade.
Mower will not mulch grass	Engine speed too low. Wet grass. Excessively high grass.  Dull blade.	Place throttle control in FAST (rabbit) position. Do not mow when grass is wet; wait until later to cut. Mow once at a high cutting height, then mow again at desired height or make a narrower cutting swath. Sharpen or replace blade.
Uneven cut	Deck not balanced properly. Dull blade. Uneven tire pressure.	Perform side-to-side deck adjustment. Sharpen or replace blade. Check tire pressure in all four tires.

---

## SECTION 13: SPECIFICATIONS\*

### LX425

---

#### Capacities

Fuel Tank	3.0 gal. (11.4 liters)
Engine Crankcase (w/ filter)	50.75 oz. (1.5 liters)

#### Variable Speed Transmission

Forward Speed	0 - 5.2 mph (8.2 km/h)
Reverse Speed	0 - 2.3 mph (3.7 km/h)

#### Engine (Air-cooled, 4-cycle)

Make	<i>Kohler Courage</i>
Model	SV600
Cylinders	Single
Bore	3.70 in. (94 mm)
Stroke	3.38 in. (86 mm)
Displacement	36.4 cubic in. (597 cc)
Power @3600 RPM	20 HP (14.9 kW)**
Maximum Torque	36.9 ft. lb. (50.0 Nm) @ 2200 RPM
Compression Ratio	8.5:1
Engine Speed (governed)	3375 RPM
Low Speed	2150 RPM (± 75 RPM)
Spark Plug Gap	.030 in. (.76 mm)

#### Electrical System

System Voltage	12-volt Negative Ground
Battery	190 CCA (sealed)
Alternator	15 Amp Regulated
Fuse (automotive type)	20 Amp
Headlights	Incandescent

#### Brakes

Single Disc (Dry)

#### Turf Tires

Front (inches)	15 x 6 x 6
Rear (inches)	20 x 8 x 8

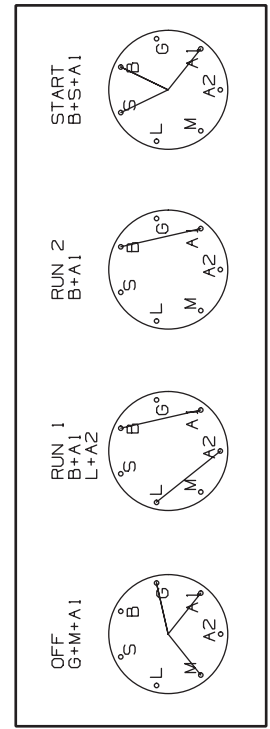
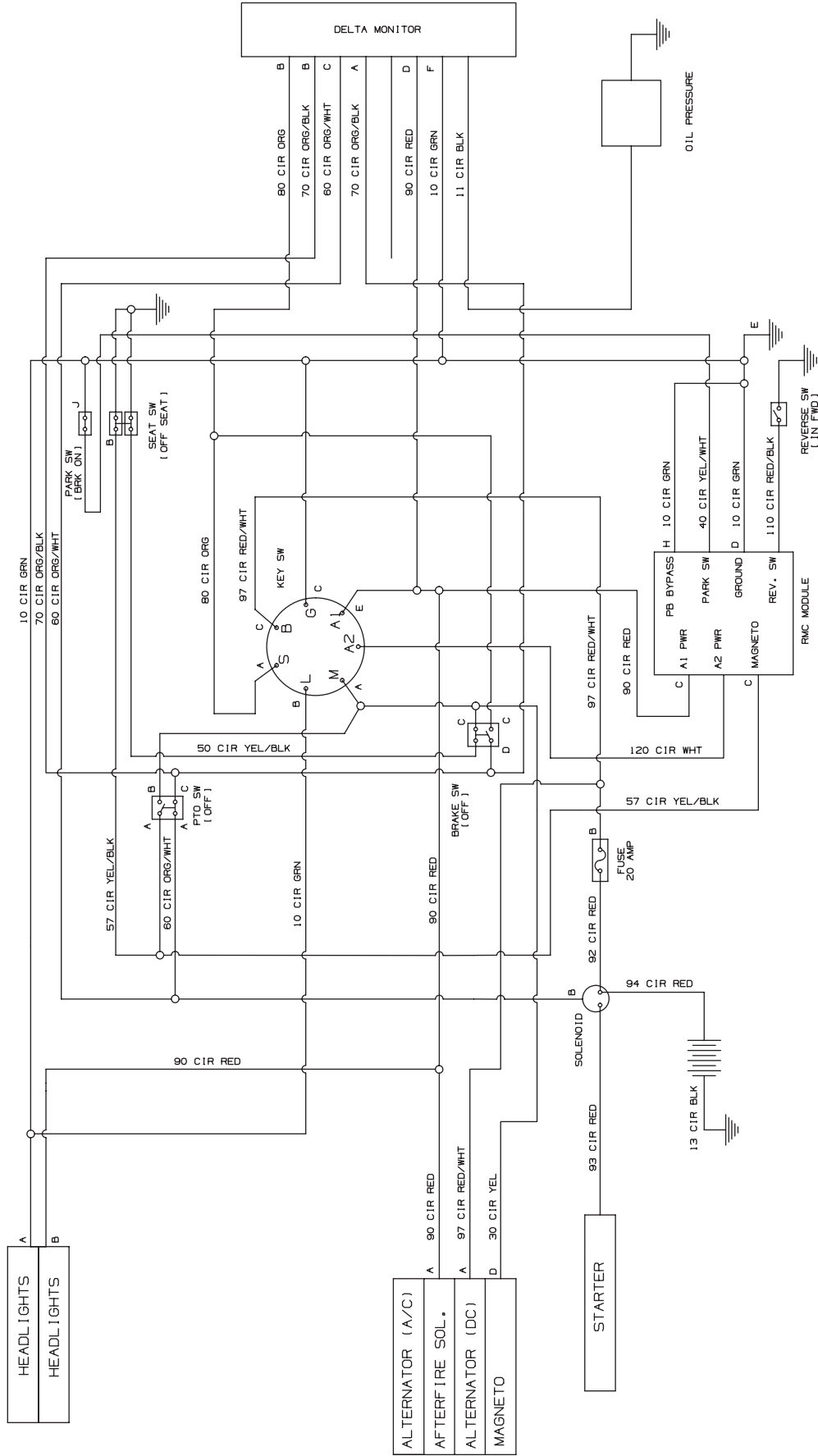
#### Dimensions

Cutting Width, Deck	42 in. (106.7 cm)
Wheelbase	46 in. (116.8 cm)
Length, over all	68 in. (172.7 cm)
Width, over all	45 in. (114.3 cm)
Height, over all	43 in. (109.2 cm)
Ground Clearance	4.5 in. (11.4 cm)
Turning Radius	18 in. (46 cm)
Weight (approximate)	498 lb. (225.9 kg)

\* *Toro* reserves the right to change product specifications, design, and standard equipment without notice and without incurring obligation

\*\* *Kohler's* horsepower ratings exceed Society of Automotive Engineers Small Engine Test Code J1940. Actual engine horsepower is lower and affected by, but not limited to, accessories (air cleaner, exhaust, charging, cooling, fuel pump, etc.), application, engine speed and ambient operating conditions (temperature, humidity, and altitude).

# ELECTRIC SCHEMATIC





# The Toro Company

## MANUFACTURER'S LIMITED WARRANTY FOR LAWN & GARDEN TRACTORS

**IMPORTANT:** To obtain warranty coverage owner must present an original proof of purchase and applicable maintenance records to the servicing dealer. Please see the operator's manual for information on required maintenance and service intervals.

The limited warranty set forth below is given by **The Toro Company ("Toro") and The Toro Warranty Company**, pursuant to an agreement between them, with respect to new merchandise purchased or leased and used in the United States and/or its territories and possessions, and by Toro with respect to new merchandise purchased or leased and used in Canada and/or its territories and possession.

Toro warrants this product (excluding its *Normal Wear Parts and Batteries* as described below) against defects in material and workmanship for a period of two (2) years commencing on the date of original retail purchase or lease and will, at its option, repair or replace, free of charge, any part found to be defective in materials or workmanship.

*Normal Wear Parts* are warranted to be free from defects in material and workmanship for a period of thirty (30) days from the date of original purchase or lease. Normal wear parts include, but are not limited to items such as: belts, blades, blade adapters, grass bags, rider deck wheels, seats, and tires.

*Batteries* have a one-year prorated limited warranty against defects in material and workmanship, with 100% replacement during the first three months. After three months, the battery replacement credit is based on the months remaining in the twelve (12) month period dating back to the original date of original sale or lease. Any replacement battery will be warranted only for the remainder of the original warranty period.

This limited warranty shall only apply if this product has been operated and maintained in accordance with the Operator's Manual furnished with the product, and has not been subject to misuse, abuse, commercial use, neglect, accident, improper maintenance, alteration, vandalism, theft, fire, water, or damage because of other peril or natural disaster. Damage resulting from the installation or use of any part, accessory or attachment not approved by Toro for use with the product(s) covered by this manual will void your warranty as to any resulting damage. In addition, Toro may deny warranty coverage if the hour meter, or any part thereof, is altered, modified, disconnected or otherwise tampered with.

**HOW TO OBTAIN SERVICE:** Warranty service is available, WITH PROOF OF PURCHASE AND APPLICABLE MAINTAINCE RECORDS, through your local authorized service dealer. To locate the dealer in your area check your Yellow Pages, or contact;  
**Customer Care Department, Consumer Division  
Toro Warranty Company  
8111 Lyndale Avenue South  
Bloomington, MN 55420,1196  
In the US 1-888-384-9942 (In Canada 1-888-848-4073)**  
or log on to our Web site at [www.toro.com](http://www.toro.com).

Without limiting the foregoing, this limited warranty does not provide coverage in the following cases:

- a. The engine or component parts thereof. These items may carry a separate manufacturer's warranty. Refer to applicable manufacturer's warranty for terms and conditions.
- b. Routine maintenance items such as lubricants, filters, blade sharpening, tune-ups, brake adjustments, clutch adjustments, deck adjustments, and normal deterioration of the exterior finish due to use or exposure.
- c. Service completed by someone other than an authorized service dealer.
- d. Toro does not extend any warranty for products sold or exported outside of the United States and/or Canada, and their respective possessions and territories, except those sold through Toro's authorized channels of export distribution.
- e. Replacement parts and/or accessories that are not genuine Toro parts.
- f. Transportation charges and service calls.
- g. Toro does not warrant this product for commercial use.

**There are no implied warranties, including without limitation any implied warranty of merchantability or fitness for a particular purpose. No warranties shall apply after the applicable period of express written warranty above. No other express warranties beyond those mentioned above, given by any person or entity, including a dealer or retailer, with respect to any product, shall bind Toro. The exclusive remedy is repair or replacement of the product as set forth above. The terms of this warranty provide the sole and exclusive remedy arising from the sale and/or lease of the products covered hereby. Toro shall not be liable for any incidental or consequential loss or damage including, without limitation, expenses incurred for substitute or replacement lawn care services or for rental expenses to temporarily replace a warranted product.**

Some jurisdictions do not allow the exclusion or limitation of incidental or consequential damages, or limitations on how long an implied warranty lasts, so the above exclusions or limitations may not apply to you.

In no event shall recovery of any kind be greater than the amount of the purchase price of the product sold. **Alteration of safety features of the product shall void this warranty.** You assume the risk and liability for loss, damage, or injury to you and your property and/or to others and their property arising out of the misuse or inability to use the product.

This limited warranty shall not extend to anyone other than the original purchaser or to the person for whom it was purchased as a gift.

**HOW LOCAL LAWS RELATE TO THIS WARRANTY:** This limited warranty gives you specific legal rights, and you may also have other rights that vary in different jurisdictions.

**Customer Care Department of the Toro Warranty Company, 8111 Lyndale Ave. South,  
Bloomington, MN 55420-1196 or call (US) 1-888-384-9942, (Canada) 1-888-848-4073; [www.toro.com](http://www.toro.com)**



notes . . .



# The Toro Company

## GARANTIE LIMITÉE DU FABRICANT POUR LES TRACTEURS DE PELOUSE ET JARDIN

### IMPORTANT : Pour faire honorer la garantie, le propriétaire du tracteur doit

présenter une preuve d'achat originale et les dossiers d'entretien correspondants à la station technique agréée. Veuillez consulter la notice d'utilisation pour tous les renseignements concernant l'entretien nécessaire et les intervalles recommandés.

### La garantie limitée qui est énoncée ci-dessous est offerte par **The Toro Company** (« Toro ») et par **The Toro Warranty Company** en vertu d'un

accord passé entre elles, pour les marchandises neuves achetées ou louées et utilisées aux États-Unis et/ou ses territoires et possessions, et par Toro pour les marchandises neuves achetées ou louées et utilisées au Canada et/ou ses territoires et possessions.

Toro garantit que ce produit (à l'exception des Pièces ou composants à usure normale, batteries et châssis et essieu avant tels qu'ils sont décrits ci-dessous) est exempt de tout vice de matière et de fabrication pour une durée de deux (2) ans ou quatre-vingts (80) heures de fonctionnement, selon ce qui survient d'abord, à compter de la date de l'achat initial au détail ou du contrat de location, et s'engage à réparer ou à remplacer, gratuitement et à son choix, toute pièce qui s'avère défectueuse en raison d'un vice de matière ou de fabrication.

Les pièces ou composants à usure normale sont garantis exempts de tout vice de matière et de fabrication pour une période de trente (30) jours à compter de la date de l'achat initial ou du contrat de location. Les pièces et composants à usure normale comprennent, sans s'y limiter, les courroies, lames, adaptateurs de lame, sacs à herbe, roues du plateau de coupe, sièges et pneus.

Les batteries sont couvertes par une garantie limitée proportionnelle d'un an contre tout vice de matière et de fabrication offrant un remplacement complet pendant les trois premiers mois. Par la suite, le crédit de remplacement de la batterie est proportionnel au nombre de mois qui restent des douze (12) mois, à compter de la date de l'achat initial ou du contrat de location. Toute batterie de remplacement sera garantie pour le reste de la garantie initiale seulement.

Cette garantie limitée n'est applicable que si ce produit a été utilisé et entretenu conformément aux instructions de la notice d'utilisation qui l'accompagne. De plus, le produit ne doit pas avoir fait l'objet d'un emploi incorrect ou abusif, d'une utilisation à des fins commerciales, d'une négligence, d'un accident, d'un incendie, d'une inondation ou de tout autre dégat causé par tout incident ou désastre naturel. Les dégâts causés par l'installation ou l'utilisation d'une pièce, d'un accessoire ou d'un équipement annexe, dont l'emploi avec le produit faisant l'objet de la notice d'utilisation n'est pas homologué par Toro, rendront la garantie nulle et non avenue. Toro peut aussi refuser d'honorer la garantie si le compteur d'heures, ou une pièce quelconque de celui-ci, a été modifié, changé, débranché ou trafiqué.

**POUR FAIRE HONORER LA GARANTIE :** Présentez UNE PREUVE D'ACHAT ET LES DOSSIERS D'ENTRETIEN CORRESPONDANTS à la station technique agréée. Pour localiser une station technique agréée dans votre région consultez les Pages Jaunes ou adressez-vous au :

**Customer Care Department, Consumer Division**

**Toro Warranty Company**  
**8111 Lyndale Avenue South**  
**Bloomington, MN 55420,1196**

**Au États-Unis 1-888-384-9942 (au Canada le 1-888-848-4073)**  
ou visitez le site web [www.toro.com](http://www.toro.com).

**Customer Care Department of the Toro Warranty Company, 8111 Lyndale Avenue South**  
**Bloomington, MN 55420,1196 (Au États-Unis 1-888-384-9942 (au Canada le 1-888-848-4073); [www.toro.com](http://www.toro.com))**

**LES LOIS LOCALES ET CETTE GARANTIE :** Cette garantie limitée vous accorde des droits juridiques spécifiques et vous pouvez bénéficier d'autres droits qui varient selon les juridictions.

Cette garantie limitée n'est offerte qu'à l'acheteur initial ou à la personne à laquelle le produit a été offert en cadeau.

Le remboursement ou remplacement quel qu'il soit ne sera en aucun cas supérieur au montant du prix d'achat du produit vendu. **Toute modification des caractéristiques de sécurité rendra la garantie nulle et non avenue.** L'utilisateur assume tout risque et toute responsabilité en cas de perte, de dommage matériel ou de blessure résultant de l'utilisation incorrecte du produit ou de l'incapacité de l'employer.

Certaines juridictions ne permettent pas l'inclusion ou restriction des dommages accessoires ou immatériels ou une limite à la durée de la garantie tacite. Par conséquent, les exclusions ci-dessus peuvent ne pas s'appliquer dans votre situation.

Le remplacement ou remplacement quel qu'il soit ne sera en aucun cas supérieur au montant du prix d'achat du produit vendu. **Toute modification des caractéristiques de sécurité rendra la garantie nulle et non avenue.**

**Aucune garantie tacite, y compris toute garantie tacite de qualité marchande ou d'adaptabilité dans un but particulier, ne s'applique aux pièces identifiées ci-dessus après la période de vigueur de la garantie écrite expressément ci-dessus. Aucune autre garantie expresse, offerte par verbaux ou écrite, à l'exception des stipulations ci-dessus, offerte par toute personne ou entité (y compris un concessionnaire/revendeur), pour tout produit, n'engage Toro. Pendant la période de garantie, la réparation ou le remplacement du produit ci-dessus constitue le recours exclusif à la disposition du client. Les stipulations énoncées dans cette garantie offrent le seul recours à la suite de la vente. Toro ne peut être tenue responsable pour toute perte ou tout dommage accessoire ou immatériel comprenant, sans s'y limiter, les frais de remplacement ou de substitution des services d'entretien des pelouses ou les frais de location pour remplacer temporairement un article sous garantie.**

- Outre les conditions susmentionnées, cette garantie limitée ne couvre pas :
- Le moteur ou ses composants. Ces articles peuvent être couverts par une garantie séparée du fabricant. Consultez la garantie du fabricant quant aux conditions.
  - Les articles d'entretien courant tels que les lubrifiants, filtres, aiguillages de lame et révisions, les réglages des freins, de l'embrayage ou du plateau de coupe et la détérioration normale de la finition du fait de l'utilisation de la machine ou de son exposition aux intempéries.
  - L'entretien ou les réparations effectués par quiconque autre qu'une station technique agréée.
  - Toro ne garantit pas les produits vendus ou exportés hors des États-Unis et/ou du Canada, de leurs possessions et territoires respectifs, sauf si ces produits ont été vendus par l'intermédiaire des services d'exportation de Toro.
  - Les pièces de rechange si elles ne sont pas des pièces Toro authentiques.
  - Les frais de transport des machines et de déplacement des techniciens.
  - Toro ne garantit pas ce produit s'il est utilisé à des fins commerciales.

# CHAPITRE 13: CARACTÉRISTIQUES TECHNIQUES\*

LX425

## Capacités

Réservoir d'essence	3,0 gallons (11,4 L)
Carter du moteur (avec filtre)	50,75 oz. (1,5 L)

## Transmission à vitesse constante

Marche avant	0 à 5,2 milles/h (8,2 km/h)
Marche arrière	0 à 2,3 milles/h (3,7 km/h)

## Moteur (à 4 temps, à refroidissement par air)

Marque	<i>Kohler Courage</i>
Modèle	SV600
Cylindres	Un
Alésage	3,70 po (94 mm)
Course	3,38 po (86 mm)
Cylindrée	36,4 po3 (597 cm3)

Puissance à 3600 tr/min.	20 HP (14,9 kW)**
Couple maximum	36,9 pi-lb (50,0 Nm)
Rapport de compression	8,5 à 1
Régime du moteur (régie)	3375 tr/min.
Bas régime	2150 tr/min. (± 75 tr/min.)
Ecartement de la bougie	0,030 po (0,76 mm)

## Système électrique

Tension	12 volts, mise à la terre négative
Batterie	190 A démarrage à froid
Alternateur	15 A (régie)
Fusible (de type automobile)	20 A
Phare	À incandescence
Freins	Un disque (sec)

## Pneus gazon

Avant (en pouces)	15 x 6 x 6
Arrière (en pouces)	20 x 8 x 8

## Dimensions

Largeur du plateau de coupe	42 po (106,7 cm)
Empattement	46 po (116,8 cm)
Longueur totale	68 po (172,7 cm)
Largeur totale	45 po (114,3 cm)
Hauteur totale	43 po (109,2 cm)
Dégagement au sol	4,5 po (11,4 cm)
Rayon de braquage	18 po (46 cm)
Poids (approximatif)	498 lb. (225,9 kg)

\* Toro se réserve le droit de modifier, sans préavis et sans obligation, les caractéristiques techniques, le dessin et l'équipement de série.

\*\* Les puissances des moteurs *Kohler* dépassent les normes établies pour les petits moteurs par la Society of Automotive Engineers, Small Engine Test Code J1940. La puissance réelle du moteur est influencée par les accessoires (filtre à air, échappement, chargement, refroidissement, pompe à essence, etc.), par l'utilisation particulière, le régime du moteur et les conditions de travail ambiantes (température, humidité et altitude) et peut être influencée par d'autres facteurs.

PROBLEME	CAUSE(S) POSSIBLE (S)	MESURE CORRECTIVE
Le moteur ne tourne pas	Manette (ou bouton) de la prise de force est enclenchée. Frein de stationnement déclenché. Fil de la bougie desserré. Manette de commande de l'obturateur n'est pas en position de démarrage. Réservoir de carburant est vide ou essence éventée. Canalisation de carburant bouchée.	Placez la manette (ou bouton) de la prise de force à la position (OFF) déclenchée. Enclenchez le frein de stationnement. Branchez le fil de la bougie. Placez la manette de commande de l'obturateur à la position VOLET DE DÉPART. Faites le plein avec une essence propre et fraîche. Le carburant devient éventé après trente jours. Nettoyez la canalisation ou remplacez le filtre de carburant (si équipé). Nettoyez, réglez l'écartement ou remplacez la bougie. Démarez le moteur avec la manette de commande de
Fonctionnement irrégulier	Machine fonctionnant avec volet de départ fermé. Fil de la bougie desserré. Canalisation de carburant bouchée ou essence éventée. L'évent du capuchon du réservoir est bouché. Eau ou saleté dans le système d'essence. Filtre à air est sale.	Placez la manette de commande de l'obturateur à la position FAST (rapide). Branchez et serrez le fil de la bougie. Nettoyez la canalisation ; faites le plein avec une essence propre. Remplacez le filtre de carburant (si équipé). Débouchez l'évent ou remplacez le capuchon. Débrancher la canalisation d'essence au carburateur pour vider le réservoir d'essence. Faites le plein avec une essence fraîche. Remplacez le filtre à air ou le pré-nettoyeur (si équipé).
Moteur surchauffe	Niveau d'huile est trop bas. La circulation d'air est gênée.	Faites le plein d'huile du carter. Essayez les brins d'herbe et débris autour des ailerons refroidissant du moteur et de l'habitacle du ventilateur.
Moteur hésite à vitesse élevée	Ecartement de la bougie trop petit.	Retirez la bougie et réglez l'écartement à 0,030 po.
Le moteur tourne irrégulièrement	La bougie est sale, défectueuse ou l'écartement est trop grand. Filtre à air est sale.	Remplacez la bougie. Réglez l'écartement à 0,030 po. Remplacez le filtre à air ou le pré-nettoyeur (si équipé).
Vibrations excessives	La lame de coupe est desserrée, mal réglé ou déformée.	Serrez la lame et l'adaptateur. Equilibrez la lame. Remplacez la lame.
La tondeuse ne déchiquette pas l'herbe	Vitesse du moteur trop bas. L'herbe est mouillée. L'herbe est trop haute.	Placez l'obturateur à la position FAST (rapide). Ne tondez pas quand l'herbe est mouillée. Attendez qu'elle sèche. Coupez l'herbe à un réglage élevé, puis tondez à nouveau à la hauteur voulue ou sur une largeur plus étroite. Aiguiser ou remplacez la lame.
La coupe est irrégulière	Plateau de coupe non équilibré La lame est émoussée. Pression inégale de pneu .	Faites le réglage latéral du plateau de coupe. Aiguiser ou remplacez la lame. Vérifiez la pression de pneu dans chacun des quatre pneus.



## CHAPITRE 10: REMISAGE HORS SAISON

Nettoyez et lubrifiez le tracteur en suivant les instructions du « ENTRETIEN DU TRACTEUR DE PELOUSE » de cette notice d'utilisation avant de remiser ce tracteur pour une période prolongée.



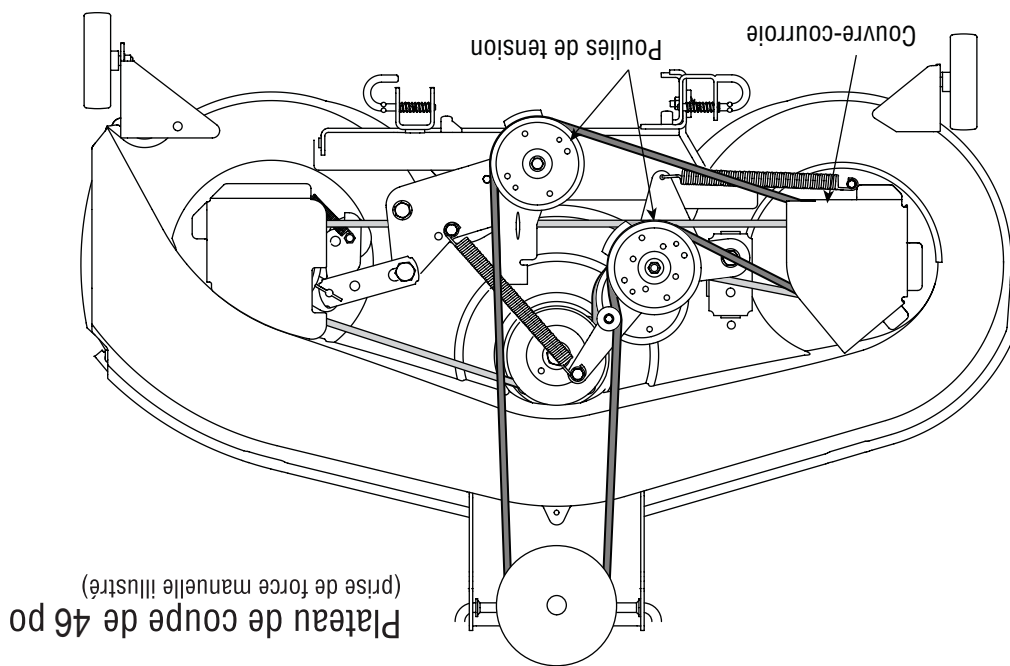
**AVERTISSEMENT:** Videz l'essence dans un contenant homologué. Travaillez à l'extérieur, loin de toute flamme nue. Laissez le moteur refroidir. Éteignez cigarettes, cigares, pipes ou autres sources de chaleur incandescentes avant de manipuler de l'essence.



Suivez les instructions dans la notice d'utilisation du moteur pour tout renseignement concernant l'entretien du moteur avant de remiser le tracteur.

**AVERTISSEMENT:** Ne remisez jamais la machine ou un contenant de carburant à l'intérieur en présence d'une flamme nue, d'étincelles ou d'une veilleuse comme celle d'un chauffe-d'eau, d'un calorifère, d'un sèche-linge ou d'un autre appareil à gaz.

Figure 21



## force

### Changement de la courroie du plateau de coupe et de la courroie de la prise de

6. Placez-vous sur la gauche du tracteur et localisez la goupille de support du plateau de coupe sur le côté arrière gauche du plateau de coupe.
7. Sortez la goupille de support du plateau de coupe pour dégager le plateau de la tringle de relevage.
8. Répétez ces instructions sur le côté droit du tracteur.
9. Déplacez la manette de relevage du plateau de coupe dans l'encoche supérieure sur le garde-boue de droite pour relever les tringles de relevage du plateau et les éloigner.
10. Glissez lentement de plateau de coupe vers l'avant du tracteur pour que les crochets se détachent d'eux-mêmes de la tringle de stabilisation du plateau de coupe.
11. Glissez doucement le plateau de coupe (du côté droit) pour le dégager du dessous du tracteur.

**AVERTISSEMENT:** Avant de retirer les courroies, arrêtez le moteur, retirez la clé de contact, débranchez le fil de la bougie et mettez-le à la masse contre le moteur pour empêcher tout démarrage accidentel.



### AVERTISSEMENT:

Faites attention de ne pas vous pincer. Ne placez pas vos doigts sur le ressort de la poulie de tension ni entre la courroie et la poulie quand vous démontez.

Procédez comme suit pour changer ou remplacer les courroies du plateau de coupe :

- Démontage du plateau de coupe.
- Retirez les couvre-courroies en enlevant les vis auto-taranduses qui les maintiennent sur le plateau de coupe.
- Desserrez soigneusement, sans la retirer, la vis et l'écrou fixant les deux poulies de tendeur.
- Dégagez la courroie du plateau de coupe de toutes les poulies, y compris la poulie de tension du plateau de coupe.
- Installez les courroies neuves. Serrez la boulonnerie fixant les deux poulies tendeur.
- Remplacez les couvre-courroies retirés précédemment.

**REMARQUE:** Certaines pièces doivent être retirées pour remplacer la courroie intérieure du plateau de coupe du tracteur. Adressez-vous à une station technique agréée pour faire remplacer la courroie intérieure ou appelez le service après-vente (voir la page 2) pour commander une notice d'utilisation.

Plaqueau de coupe de 46 po  
(prise de force manuelle illustrée)

## Batterie

Faites attention, en remplaçant la lame, de tourner le côté « Bottom » (ou sur lequel un numéro de pièce est estampé) vers le sol quand la machine est utilisée.

**IMPORTANT:** Utilisez une clé dynamométrique pour serrer l'écrou à bride à six pans sur la fusée de la lame à un couple de 70 pieds-livre à 90 pieds-livre.

La batterie est scellée et ne nécessite aucun entretien. Il n'est pas possible de vérifier le niveau de l'acide.



**AVERTISSEMENT:** Il est recommandé de bien se protéger les yeux (avec des lunettes de sécurité ou un masque), la peau et les vêtements en manipulant de l'acide pour batterie (électrolyte) ou une batterie contenant de l'acide.

- Vérifiez que les câbles et bornes de la batterie sont toujours propres et ne sont pas corrodés.
- Après avoir nettoyé la batterie et les bornes, appliquez une légère couche de vaseline ou de graisse sur les bornes et sur la gaine de la borne positive.
- Assurez-vous que la gaine est toujours bien placée sur la borne positive pour éviter tout court-circuit.

**IMPORTANT:** Si, pour une raison quelconque, il est nécessaire de démonter la batterie, débranchez toujours le câble NÉGATIF (noir) de la borne négative, puis le câble POSITIF (rouge). Lors du remontage de la batterie, branchez toujours le câble POSITIF (rouge) sur la borne positive, puis le câble NÉGATIF (noir) sur les bornes correspondantes. Leur inversion peut changer la polarité et endommager l'alternateur du moteur.

### Pour recharger la batterie avec une batterie d'appoint



**AVERTISSEMENT:** Ne rechargez jamais une batterie endommagée ou gelée avec une batterie d'appoint. (Les parois d'une batterie gelée sont déformées, la batterie est couverte de givre et paraît lourde). Assurez-vous que les véhicules ne se touchent pas et que les moteurs ne tournent pas. Ne laissez pas les pinces des câbles se toucher.

1. Branchez le câble positif (+) sur la borne positive (+) de la batterie à plat du tracteur.
2. Branchez l'autre extrémité du câble positif sur la borne positive (+) de la batterie d'appoint.
3. Branchez le câble négatif (-) sur la borne négative (-) de la batterie d'appoint.
4. Enfin, branchez l'autre extrémité du câble négatif sur le bloc moteur du tracteur en panne, à distance de la batterie. Branchez ce câble sur une pièce non peinte pour assurer un bon raccordement.

**IMPORTANT:** Si la batterie d'appoint est installée sur un véhicule (voiture, camion, par ex.), ne faites pas démarrer le moteur de ce véhicule pour recharger la batterie du tracteur.

5. Mettez le moteur en marche (voir les instructions à la page 18).
6. Serrez le frein de stationnement du tracteur avant de débrancher les câbles d'appoint dans l'ordre inverse de leur raccordement.
7. Laissez le moteur tourner pendant 15 minutes environ avant de l'arrêter pour que l'alternateur ait le temps de recharger la batterie à plat.

### IMPORTANT:

1. Les câbles de la batterie doivent être branchés aux bornes correspondantes. Les inverser peut changer la polarité et endommager l'alternateur du moteur.
2. Ne rechargez pas une batterie endommagée avec une batterie d'appoint.
3. Remisez la batterie complètement chargée après avoir débranché la borne négative.

### Charge de la batterie



**AVERTISSEMENT:** Les batteries dégagent des vapeurs explosives pendant la charge. Chargez la batterie dans un local bien aéré, loin de toute flamme nue ou de la veilleuse d'un radiateur, d'un chauffe-eau, d'un calorifère, d'un sèche-linge ou de tout autre appareil à gaz.

**IMPORTANT:** Pour recharger la batterie du tracteur, n'utilisez qu'un chargeur conçu pour les batteries de 12 volts à accumulateur au plomb. Lisez attentivement la notice d'utilisation avant de charger la batterie du tracteur. Suivez toujours les instructions et respectez les avertissements.

Si le tracteur n'a pas été utilisé pendant une période prolongée, chargez la batterie comme suit :

1. Réglez le chargeur à un taux de charge de 10 A maximum.

**IMPORTANT:** Si le chargeur de la batterie est automatique, chargez la batterie jusqu'à ce que le

chargeur indique que la charge est complète. Dans le cas contraire, chargez pendant au moins huit heures.

### Démontage du plateau de coupe

Pour démonter le plateau de coupe, procédez comme suit :

1. Placez le bouton de la prise de force (Embrayage de la lame) ou la manette, à la position « OFF » (Non embrayée) et serrez le frein de stationnement. (Abaissez le plateau de coupe en plaçant la manette de relevage du plateau dans l'encoche inférieure sur le garde-boue de droite.
3. Enlevez la goupille épingle qui maintient le câble de la prise de force sur l'arrière du plateau de coupe. Voir la Figure 21.
4. Retirez le câble de la prise de force et le ressort annexe du plateau de coupe.
5. Dégagez la courroie de la poulie motrice du tracteur.



## Pneus



**AVERTISSEMENT:** Ne dépassez jamais la pression maximale indiquée sur le flanc du pneu.

La pression de travail recommandée est de 10 lb/po<sup>2</sup> environ pour les pneus arrière et de 14 lb/po<sup>2</sup> pour les pneus avant. La pression recommandée par le fabricant est indiquée sur le flanc des pneus. Ne gonflez pas excessivement les pneus. Une pression inégale peut causer la tonte inégale de l'herbe.

## Fusibles

La fusible de 20 amps installés dans le faisceau de fils du tracteur protègent le système électrique du tracteur des dégâts causés par un ampérage trop élevé.

Si le système électrique ne fonctionne pas, ou si le moteur ne tourne pas, vérifiez d'abord que le fusible n'a pas sauté. Un fusible est installé sous le capot, derrière le haut du tableau de bord, sur la barre de support.

**IMPORTANT:** Remplacez toujours le fusible par un fusible de même ampérage.



**AVERTISSEMENT:** Avant d'effectuer tout réglage, lubrifier ou toute réparation, débrayez la prise de force, placez le sélecteur de vitesse au point mort, serrez le frein de stationnement, arrêtez le moteur et retirez la clé pour empêcher tout démarrage non intentionnel.

## Lames



**AVERTISSEMENT:** Arrêtez le moteur, enlevez la clé d'allumage, débranchez le fil de la bougie et mettez-le à la masse contre le moteur pour empêcher tout démarrage accidentel avant de démonter les lames pour les aiguiser ou les remplacer. Portez toujours des gants épais ou utilisez un chiffon pour manipuler les lames.

**AVERTISSEMENT:** Examinez

régulièrement les fusées pour vous assurer qu'ils ne sont pas fendillés ou endommagés, surtout après avoir heurté un objet quelconque. Remplacez-les immédiatement s'ils sont endommagés.

Démontez les lames pour les aiguiser ou pour les remplacer.

• Démontez le plateau de coupe sous le tracteur (voir la partie Démontage du plateau de coupe) à la page 26, puis retournez-le pour travailler sur le dessous.

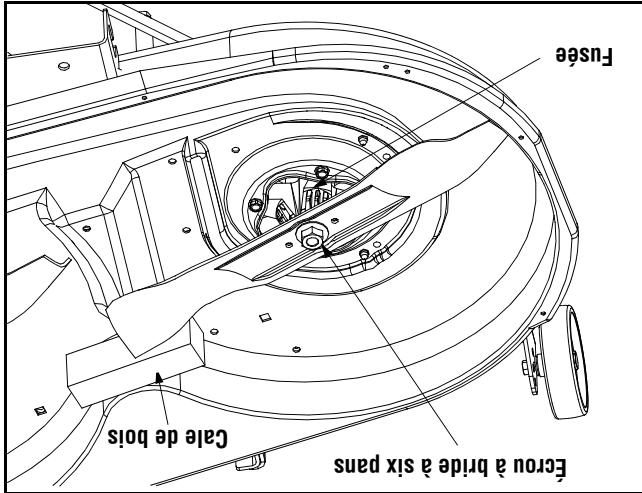


Figure 19

- Placez une cale de bois entre le déflecteur au milieu du plateau et la lame. Voir la Figure 19.
- Utilisez une clé de 15/16 po pour retirer l'écrou à bride à six pans qui maintient la lame. Voir la Figure 19.

**IMPORTANT:** Pour aiguiser les lames, la même quantité de métal des deux extrémités des lames sur le côté tranchant. Voir la Figure 20. Aiguissez le bord tranchant sur toute sa longueur, parallèlement au bord arrière, soit à un angle de 25° à 30°.

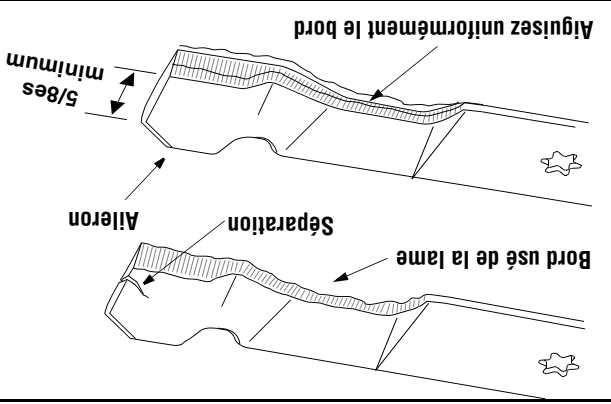


Figure 20

**IMPORTANT:** Si le bord tranchant a déjà été aiguisé et qu'il reste moins de 5/8es po à l'aïeron, ou si une séparation des couches métalliques s'est produite, remplacez les lames.

Il est essentiel d'aiguiser également les tranchants pour conserver une lame bien équilibrée. En effet, une lame déséquilibrée risque de vibrer excessivement à vitesse élevée. Ceci peut endommager le tracteur et causer des blessures.

Vérifiez le bon équilibrage de la lame en la plaçant sur la tige ronde d'un tournevis. Meulez le métal du côté plus lourd jusqu'à ce qu'elle soit bien équilibrée.

**IMPORTANT:** Vérifiez que la goulotte d'éjection du tracteur n'est pas dirigée vers un bâtiment, des véhicules, etc.

2. Débrayez la prise de force ; forcez le levier de vitesses au point mort ; serrez le frein de stationnement et coupez le moteur.
3. Vissez le raccord pour boyau d'arrosage (fourni avec cette notice d'utilisation) sur l'extrémité du boyau d'arrosage.
4. Attachez le raccord pour boyau d'arrosage à l'orifice aménagé sur la surface du plateau de coupe. Voir la Figure 16.
5. Ouvrez le robinet d'eau.
6. Retournez au poste de conduite et remettez le tracteur en marche, puis placez la commande de l'obturateur à la position <<FAST>> (Rapide - Lapsin).
7. Placez la prise de force du tracteur (Embrayage de la lame) à la position « ON ».
8. Restez au poste de conduite pendant un minimum de deux minutes après avoir embrayé le plateau de coupe pour que le dessous du plateau soit rincé à fond.
9. Placez la prise de force du tracteur (Embrayage de la lame) à la position « OFF ».
10. Tournez la clé de contact à la position STOP (Arrêt) pour couper le moteur et serrez le frein de stationnement.
11. Fermez le robinet d'eau et débranchez le raccord du boyau d'arrosage de l'orifice sur la surface du plateau de coupe.
12. Répétez les instructions 4 à 11 pour nettoyer l'autre côté du plateau de coupe.

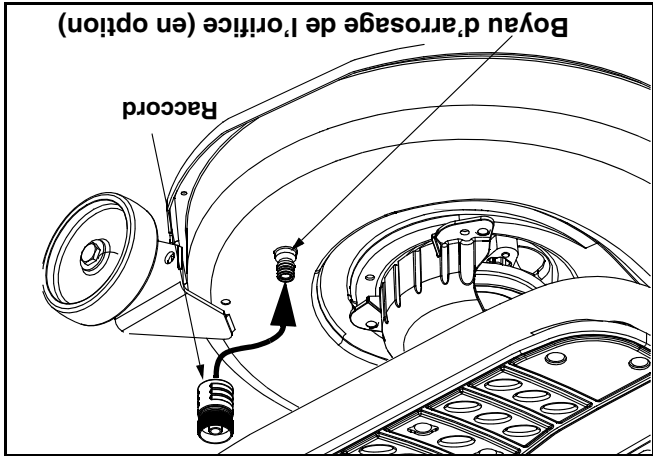


Figure 16



**AVERTISSEMENT :** Avant de lubrifier, réparer ou inspecter, débrayez la prise de force, placez le sélecteur de vitesse au point mort, serrez le frein de stationnement, arrêtez le moteur et retirez la clé pour empêcher tout démarrage non intentionnel.

## Lubrification

### Moteur

Lubrifiez le moteur avec une huile à moteur de la qualité recommandée dans la notice d'utilisation du moteur

### Points de pivotement et timonerie

Lubrifiez tous les points de pivot de la transmission, le frein de stationnement et la timonerie de relevage au moins une fois par saison avec une huile légère.

### Roue avant

Les essieux et jantes des roues avant pivotantes sont équipés d'un raccord graisseur. Lubrifiez-les avec un pistolet graisseur toutes les 25 heures d'utilisation du tracteur ou au moins une fois par saison. See Figure 17.

### Roues arrière

Démontez les roues arrière des essieux une fois par saison. Lubrifiez bien les essieux et les jantes avec une graisse automobile tout usage avant de les installer à nouveau.

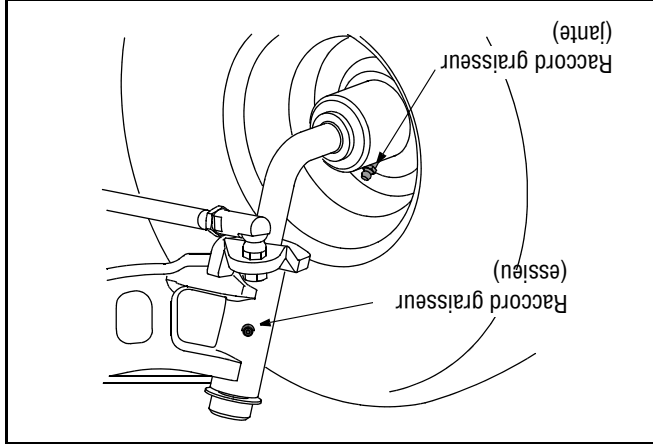


Figure 17

## Nettoyage du moteur et du plateau de coupe

Essayez immédiatement toutes les éclaboussures d'huile ou d'essence. Ne laissez pas l'herbe, les feuilles et la saleté s'accumuler à proximité des ailettes de refroidissement du moteur ou sur toute autre partie de la machine.

**IMPORTANT:** L'utilisation d'un nettoyeur sous pression ou d'un boyau d'arrosage pour nettoyer le tracteur est déconseillée. Cela risque en effet d'endommager les composants électriques, les fusées, les poulies, les roulements ou le moteur. L'emploi d'eau à tendance à raccourcir la vie du tracteur et à limiter sa facilité d'entretien.

# CHAPITRE 8 : ENTRETIEN

**REMARQUE:** Consultez le tableau de l'entretien qui indique les intervalles recommandés, à la page 29.



**AVERTISSEMENT:** Avant d'effectuer tout réglage ou toute réparation, débrayez la prise de force, placez le sélecteur de vitesse au point mort, serrez le frein de stationnement, arrêtez le moteur et retirez la clé pour empêcher tout démarrage non intentionnel.

## Moteur

Consultez la notice d'utilisation du moteur quant aux instructions d'entretien du moteur.

Vérifiez le niveau d'huile à moteur avant chaque utilisation en suivant les instructions fournies dans la notice d'utilisation du moteur. **Veillez la lire attentivement et suivre les instructions.**

## Vidange d'huile à moteur

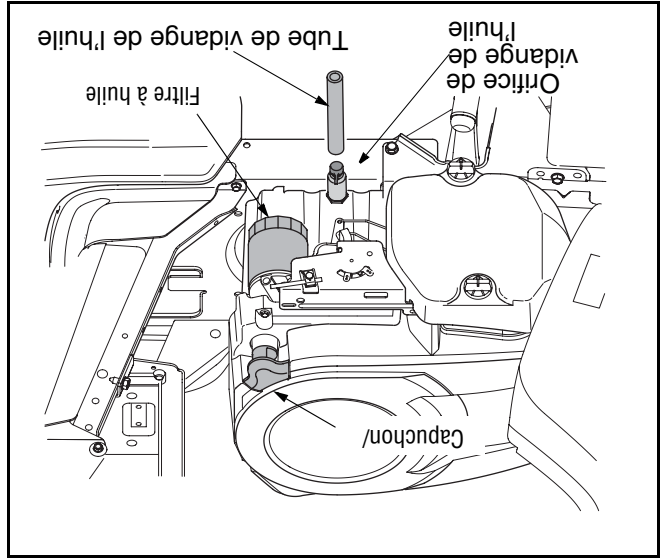


Figure 15

- Soulevez le capuchon de protection à l'extrémité de la soupape de vidange de l'huile pour exposer l'orifice de vidange. Voir la Figure 15.
- Dévissez le bouchon d'huile/jauge à huile du goulot de remplissage.
- Enfoncez le tube de vidange de l'huile (fourni avec cette notice d'utilisation) sur l'orifice de vidange de l'huile. Placez l'autre extrémité du tube dans un récipient convenant pour la collecte d'huile, et d'une capacité suffisante.
- Quand l'huile a cessé de couler, replacez le bouchon d'huile et tournez-le vers la droite pour le bloquer. Remettez le capuchon sur l'extrémité du tube de vidange de l'huile pour empêcher la saleté de pénétrer dans l'orifice de vidange.

- Assurez l'entretien du **filtre à huile** (le cas échéant) selon les instructions qui se trouvent dans la notice d'utilisation du moteur.
- Faites à nouveau le plein avec une huile propre selon les instructions qui se trouvent dans la notice d'utilisation du moteur.

**IMPORTANT:** Utilisez la quantité et la qualité d'huile recommandées dans la notice d'utilisation du moteur.

Consultez la notice d'utilisation du moteur quant aux instructions d'entretien du **filtre à air**.

Les **bougies** doivent être nettoyées une fois par saison et l'écartement des bougies doit être ajusté une fois par an. Il est recommandé de remplacer la bougie au début de la saison. Consultez la notice d'utilisation du moteur quant au modèle de bougie et à l'écartement.

## Filtre à essence.



**AVERTISSEMENT:** Ne remplacez pas le filtre à essence quand le moteur est chaud.

Le moteur est équipé d'un filtre à essence en ligne, qui se trouve sur la droite du moteur. Examinez régulièrement le filtre pour détecter toute accumulation de saleté dans le corps du filtre. Une décoloration indique une cartouche sale. Remplacez le filtre quand il est sale.

## Nettoyage du moteur et du plateau de coupe

Essayez immédiatement toutes les éclaboussures d'huile ou d'essence.

Ne laissez pas l'herbe, les feuilles et la saleté s'accumuler à proximité des ailettes de refroidissement du moteur ou sur toute autre partie de la machine.

## Systeme de nettoyage (Deck Wash System™)

Ce bouchon peut être remplacé par un orifice à eau à utiliser avec le système de nettoyage du plateau vendu séparément. Servez-vous du système de nettoyage pour éliminer les brins d'herbe du dessous du plateau de coupe pour empêcher toute accumulation de produits chimique corrosifs. Procédez comme suit après chaque utilisation:

1. Stationnez votre tracteur sur une surface plane et dégagée, suffisamment proche d'un robinet d'eau pour pouvoir y brancher un boyau d'arrosage.

## Mise à niveau du plateau de coupe

**REMARQUE:** Vérifiez la pression des pneus du tracteur avant de régler le plateau de coupe. Consultez la partie PNEUS dans le chapitre SERVICE dans à la page 25 cette notice d'utilisation.

### Réglage d'avant à l'arrière

L'avant du plateau de coupe est soutenu par une barre de stabilisation réglable permettant d'ajuster le plateau d'avant à l'arrière. L'avant du plateau de coupe doit se trouver entre 1/4 et 3/8es de po plus bas que l'arrière. Réglez selon le besoin comme suit:

1. Stationnez le tracteur sur une surface stable et

plane et positionnez la manette de relevage dans l'encoche supérieure (la position la plus haute).

Tournez la lame la plus proche de la goulotte d'éjection pour qu'elle soit parallèle au tracteur.

2. Mesurez la distance de l'extrémité avant de la lame au sol et l'extrémité arrière de la lame au sol.

3. Le premier relevé doit mesurer de 1/4 à 3/8es de po de moins que le deuxième.

4. Déterminez la distance approximative nécessaire pour un bon ajustement, puis passez à l'étape suivante si besoin est.

5. De l'avant du tracteur, desserrez le contre-écrou à six pans qui se trouve sur chaque extrémité de la tige de suspension du plateau de coupe.

6. Serrez les écrous de blocage à six pans internes contre le crochet de suspension avant pour relever l'avant du plateau de coupe; desserrez ces écrous à six pans pour abaisser l'avant du plateau de coupe. Voir la Figure 13.

7. Resserrez les deux contre-écrous contre les écrous à six pans internes quand le réglage voulu est obtenu.

### Réglage latéral

Si le plateau de coupe paraît tondre de manière inégale, il faudra peut-être effectuer un réglage latéral. Procédez comme suit :

• Stationnez le tracteur sur une surface stable et plane et positionnez la manette de relevage dans l'encoche supérieure (la position la plus haute) et tournez les deux lames pour qu'elles soient parallèles au tracteur.

• Mesurez la distance d'entre l'extérieur de la lame gauche et le sol et l'extérieur de la lame droite et le sol. Les deux relevés doivent être égaux. Sinon, passez au paragraphe suivant.

• Desserrez, **sans** la retirer, la vis à chapeau à six pans sur le crochet de support gauche du plateau de coupe. Voir la Figure 14.

• Equilibrerez le plateau de coupe en utilisant une clé pour tourner le dispositif de réglage (trouvée immédiatement derrière la vis desserrer précédemment) dans le sens d'aiguilles d'une montre / haut ou en sens inverse des aiguilles d'une

montre / bas.

• Vissez le joint à rotule vers l'écrou de blocage pour raccourcir la tige d'entraînement. Dévissez le joint à

joint à rotule. Voir la Figure 14.

• Retirez le contre-écrou de blocage sur le dessus du ment sur l'arrière du joint à rotule. Voir la Figure 14.

• Desserrez l'écrou de blocage de la tige d'entraînement gauche et dans celui de droite :

Ajustez les tiges d'entraînement de façon que des longueurs égales soient vissées dans le joint à rotule de

• Equilibrerez le plateau de coupe pour que les deux relevés soient égaux.

• Resserrez le boulon hex. sur le crochet de support gauche une fois le réglage effectué.

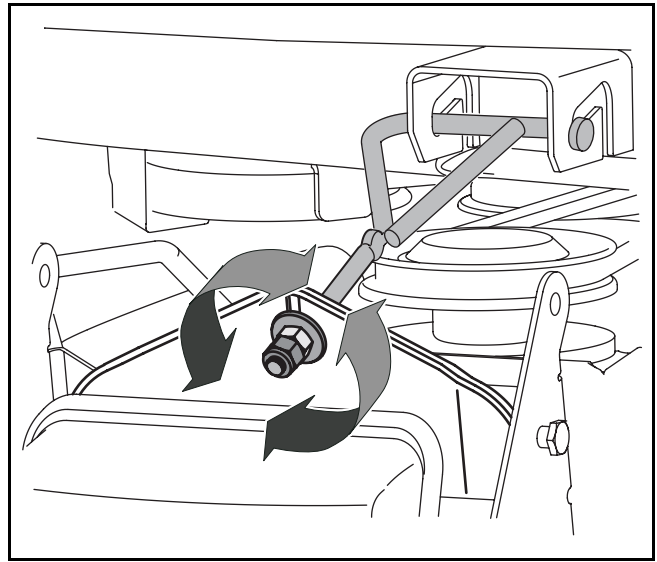


Figure 13

### Réglage de la direction

Si le tracteur tourne plus serré d'un côté que de l'autre, ou si les joints à rotule doivent être remplacés parce qu'ils sont usés ou endommagés, il faudra peut-être ajuster les tiges d'entraînement de la direction.

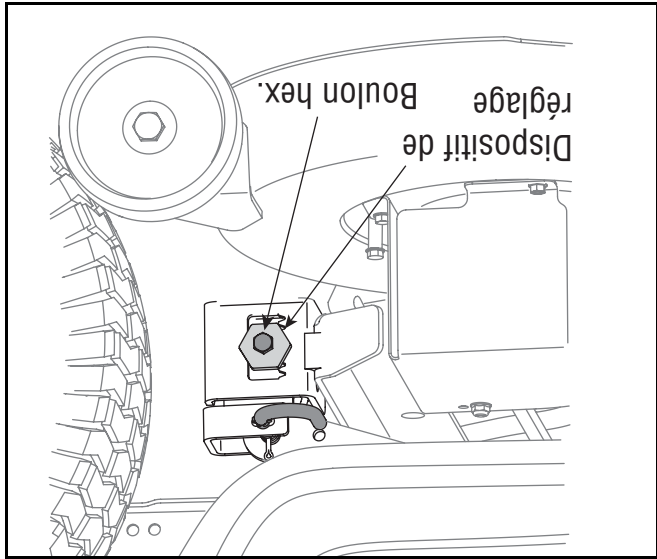


Figure 14

Ajustez les tiges d'entraînement de façon que des longueurs égales soient vissées dans le joint à rotule de gauche et dans celui de droite :

• Desserrez l'écrou de blocage de la tige d'entraînement sur l'arrière du joint à rotule. Voir la Figure 14.

• Retirez le contre-écrou de blocage sur le dessus du joint à rotule. Voir la Figure 14.

• Vissez le joint à rotule vers l'écrou de blocage pour raccourcir la tige d'entraînement. Dévissez le joint à rotule de l'écrou de blocage pour allonger la tige d'entraînement.

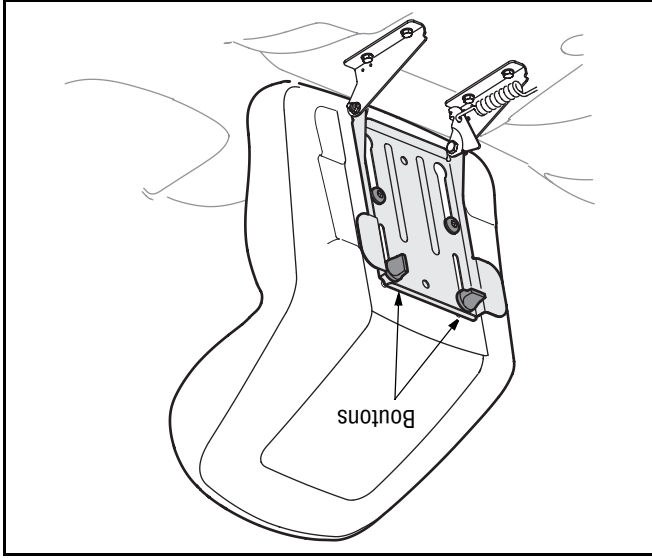


Figure 12

Pour ajuster la position du siège sur les modèles sans manette de réglage, desserrez les deux boutons en-dessous de le siège. Voir la Figure 12. Glissez le siège en avant ou vers l'arrière jusqu'à la position désirée. Serrez les deux boutons.

## Réglage du siège

**AVERTISSEMENT:** N'essayez jamais d'effectuer un réglage quelconque pendant que le moteur tourne.



## CHAPITRE 6: RÉGLAGES

**AVERTISSEMENT:** Prévoyez de travailler en évitant de projeter l'herbe vers des rues, des trottoirs, des spectateurs, etc. Évitez d'éjecter l'herbe en direction d'un mur ou d'un obstacle. De cette façon, les débris éventuels ne risquent pas de ricocher et de blesser quelqu'un.

Ne tondez pas en vous déplaçant rapidement, surtout si un ensemble de déchiquetage ou un collecteur d'herbe est installé.

Vous obtiendrez de meilleurs résultats en dirigeant l'herbe coupée lors des deux premiers passages vers le centre de la zone de travail. Par la suite, changez de direction pour évacuer l'herbe coupée vers l'extérieur. Votre pelouse aura ainsi meilleure apparence.

Ne tondez pas l'herbe trop court. Les mauvaises herbes pousseront plus vite et le gazon risque de jaunir plus rapidement pendant les périodes sèches.

Tondez toujours à plein régime.

Si l'herbe est très touffue, il faudra peut-être effectuer un deuxième passage pour obtenir une tonte nette.

N'essayez pas de tondre les broussailles, les mauvaises herbes ou de l'herbe extrêmement haute. Cette tracteur est conçue pour l'entretien normal de pelouses résidentielles.

Utilisez toujours des lames bien affûtées et remplacez-les si elles sont usées. Consultez le chapitre LAMES à la page 25 dans cette notice d'utilisation quant aux instructions d'affûtage.



**AVERTISSEMENT:** Pour aider à éviter le contact avec les lames ou les blessures provoqués par les objets projetés, gardez les spectateurs, les animaux de compagnie et les enfants à une distance d'au moins 75 pieds de la machine quand elle est en marche. Arrêtez la machine si quelqu'un s'approche la zone de travail.

Ce tracteur est équipé d'un plateau de coupe de haute qualité. Les renseignements suivants seront utiles lors de l'emploi du plateau de coupe avec le tracteur.



## Utilisation de la manette de relevage

3. Maintenez la manette de l'obturateur/volet à la position FAST (lapin) pour garantir un fonctionnement efficace du plateau de coupe et des autres accessoires (vendus séparément).

**IMPORTANT:** Le moteur s'arrête automatiquement si la prise de force est embrayée alors que le levier de vitesses est placé à la position de marche arrière quand la clé de contact se trouve à la position « Normal Mowing » (Tonte normale). Voir le chapitre « Commutateurs internes de sécurité » à la page 16.

Pour relever le plateau de coupe, déplacez la manette de relevage vers la gauche, puis positionnez-la dans l'encoche correspondant à l'emploi voulu. Tonte de l'herbe

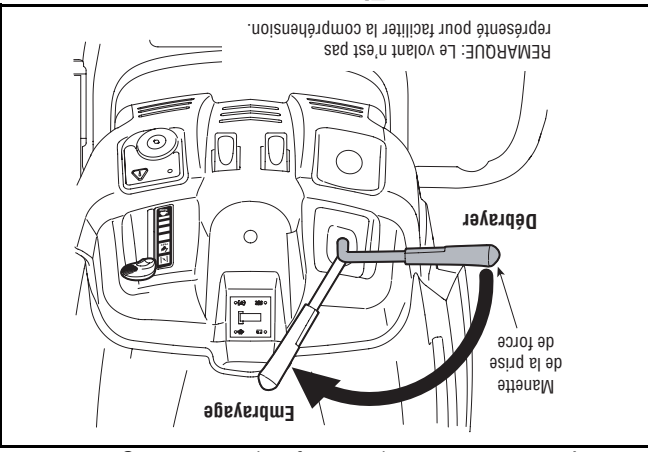


Figure 11

L'embrayage de la prise de force (Embrayage de la lame) transfère la puissance nécessaire au plateau de coupe et des autres accessoires (vendus séparément). Procédez comme suit pour embrayer les lames:

1. Placez la manette de commande de l'obturateur à la position FAST (Rapide - lapin).
2. Faites pivoter la manette de la prise de force (Embrayage de la lame) à fond vers l'avant jusqu'à la position « ON » (Embrayé). Voir la Figure 11.

## Embrayage de les lames

Pour passer en marche arrière en utilisant le régulateur de vitesse, appuyez sur la pédale de frein pour débrayer le régulateur de vitesse et pour immobiliser le tracteur. Appuyez légèrement sur la pédale d'accélérateur. Appuyez sur la pédale de frein pour débrayer le régulateur de vitesse et pour immobiliser le tracteur.

Pour libérer le régulateur de vitesse, procédez comme suit :

**REMARQUE:** Le régulateur de vitesse ne peut être enclenché à la vitesse de déplacement du tracteur la plus rapide. Si le conducteur essaie de l'enclencher, le tracteur ralentit automatiquement à la vitesse de travail optimale.

- Placez le levier du sélecteur de vitesse à la position FORWARD (marche avant), puis enfoncez lentement la pédale d'accélérateur jusqu'à l'obtention de la vitesse désirée.
- Appuyez légèrement sur le bouton du régulateur de vitesse.
- Maintenez le bouton du régulateur de vitesse enfoncé, relevez votre pied de la pédale d'accélérateur (vous sentirez que le dispositif de blocage s'enclenche.)
- S'ils sont bien engagés, le bouton du régulateur de vitesse et la pédale d'accélérateur seront bloqués et le tracteur conservera la même vitesse de déplacement.

## Réglage du régulateur de vitesse

- Faites très attention en changeant de direction.
- Faites attention aux trous, ornières, bosses, roches ou autres obstacles cachés. Un terrain irrégulier peut causer le renversement de la machine.
- Évitez de tourner sur une pente. S'il est essentiel de tourner, virez dans le sens de la pente descendante. Le fait de tourner sur une pente accroît les risques de renversement.
- Ne vous arrêtez pas sur une pente. Si un arrêt est toutefois nécessaire, procédez en douceur et démarrez lentement pour réduire au maximum les risques de renversement du tracteur.

**AVERTISSEMENT:** Ne conduisez pas sur des pentes de plus de 15 degrés (soit une élévation de 2 1/2 pieds environ par 10 pieds). Le tracteur risquerait de se retourner et de vous blesser grièvement.



- Travaillez parallèlement à la pente, jamais perpendiculairement.
- Utilisez l'INCLINOMÈTRE pour déterminer si vous pouvez travailler en toute sécurité sur une pente.

## Conduite sur pente

- Pour avancer, placez le sélecteur de vitesse à la position FORWARD (Marche avant), puis appuyez lentement sur la pédale d'accélérateur jusqu'à l'obtention de la vitesse désirée.
- Pour reculer, placez le sélecteur de vitesse à la position REVERSE (Marche arrière), vérifiez la zone derrière vous et appuyez lentement sur la pédale d'accélérateur.

**IMPORTANT:** Ne vous servez pas du levier de vitesses pour changer de direction quand le tracteur est en mouvement. Utilisez toujours la pédale de frein pour arrêter complètement le tracteur avant de changer de vitesse.

- Appuyez sur la pédale de frein pour desserrer le frein de stationnement.
- Placez la manette de l'obturateur à la position FAST (lapin).

Appuyez sur la pédale de frein pour desserrer le frein de stationnement. Si vous laissez le tracteur sans surveillance, pensez à retirer la clé. pédale de frein et serré le frein de position OFF (non enclenché), enfoncez la manette, ou le bouton, de la prise de force à la poste de conduite sans avoir d'abord placé la manette, ou le bouton, de la prise de force à la



**AVERTISSEMENT:** Ne quittez pas le poste de conduite sans avoir d'abord placé la manette, ou le bouton, de la prise de force à la



## Conduite du tracteur

**AVERTISSEMENT:** Évitez les démarrages brusques, toute vitesse excessive et les arrêts soudains.



**REMARQUE:** Le régulateur de vitesse ne peut être enclenché à la vitesse de déplacement du tracteur la plus rapide. Si le conducteur essaie de l'enclencher, le tracteur ralentit automatiquement à la vitesse de travail optimale.

Pour desserrer le régulateur de vitesse, procédez comme suit :

- Appuyez sur la pédale de frein pour desserrer le régulateur de vitesse et pour arrêter le tracteur.
- Appuyez légèrement sur la pédale d'accélérateur.

Pour passer en marche arrière en utilisant le régulateur de vitesse en marche avant, appuyez sur la pédale de frein pour débrayer le régulateur de vitesse et pour immobiliser le tracteur. Appuyez sur la partie inférieure de la pédale d'accélérateur avec la plante du pied droit (pas le talon) pour faire reculer le tracteur.

## Enclenchement du frein de stationnement

Pour enclencher le frein de stationnement :

1. Appuyez à fond sur la pédale de frein tout en poussant doucement sur le bouton de frein de stationnement.
2. Continuez à appuyer sur le bouton du frein de stationnement en retirant votre pied de la pédale de frein.
3. Enclenchés, le bouton du frein de stationnement et la pédale de frein se bloquent en position. Pour desserrer le frein de stationnement, appuyez légèrement sur la pédale de frein.

**REMARQUE:** Le frein de stationnement doit être serré quand le conducteur quitte son siège si le moteur tourne, sinon le moteur s'arrêtera automatiquement.

## Réglage de la hauteur de coupe

Choisissez la hauteur du plateau de coupe en plaçant la manette de relevage du plateau dans l'une des six encoches sur le garde-boue de droite. Ajustez les roues du plateau de coupe entre 1/4 et 1/2 po du sol quand le tracteur se trouve sur une surface lisse et plate (entrée de garage).

**AVERTISSEMENT:** N'approchez pas les



mais et les pieds de l'ouverture de la goulotte d'éjection du plateau de coupe.

**REMARQUE:** Les roues de guidage du plateau de coupe permettent d'éviter d'arracher l'herbe, mais elles ne sont pas conçues pour supporter le poids du plateau de coupe.

Consultez le chapitre RÉGLAGES dans cette notice d'utilisation quant aux divers réglages du plateau de coupe.

- Pour vous déplacer en MARCHÉ ARRIÈRE, assurez-vous qu'il n'y a pas d'obstruction derrière vous, puis appuyez lentement sur la partie inférieure de la pédale d'accélérateur avec la plante de votre pied (et pas votre talon) jusqu'à l'obtention de la vitesse désirée. Voir la Figure 10.

**IMPORTANT:** N'essayez pas de passer de marche avant en marche arrière, et vice versa, pendant que le tracteur est en mouvement. Arrêtez toujours complètement le tracteur avant de changer de direction.

## Conduite sur pente

Utilisez l'INCLINOMÈTRE à la page 8 pour déterminer si vous pouvez travailler en toute sécurité sur une pente.

**AVERTISSEMENT:** Ne conduisez pas sur des pentes de plus de 15 degrés (soit une élévation de 2 1/2 pieds environ par 10 pieds). Le tracteur risquerait de se retourner et de vous blesser grièvement.



- Travaillez parallèlement à la pente, jamais perpendiculairement.
- Faites très attention en changeant de direction.
- Faites attention aux trous, orniers, bosses, roches ou autres obstacles cachés. Un terrain irrégulier peut causer le renversement de la machine. L'herbe haute risque de cacher des obstacles.
- Évitez de tourner sur une pente. S'il est essentiel de tourner, virez dans le sens de la pente descendante. Le fait de tourner sur une pente accroît les risques de renversement.
- Ne vous arrêtez pas sur une pente. Si un arrêt est toutefois nécessaire, procédez en douceur et démarrez lentement pour réduire au maximum les risques de renversement du tracteur.

## Réglage du régulateur de vitesse

**REMARQUE:** Le régulateur de vitesse devrait seulement être utilisé tout en voyagent vers l'avant.

- Placez le levier du sélecteur de vitesse à la position FORWARD (marche avant), puis enfoncez lentement la pédale d'accélérateur jusqu'à l'obtention de la vitesse désirée.
- Appuyez légèrement sur le bouton du régulateur de vitesse.
- Maintenez le bouton du régulateur de vitesse enfoncé, relevez votre pied de la pédale d'accélérateur (vous sentirez que le dispositif de blocage s'enclenche).
- S'ils sont bien engagés, le bouton du régulateur de vitesse et la pédale d'accélérateur seront bloqués et le tracteur conservera la même vitesse de déplacement.

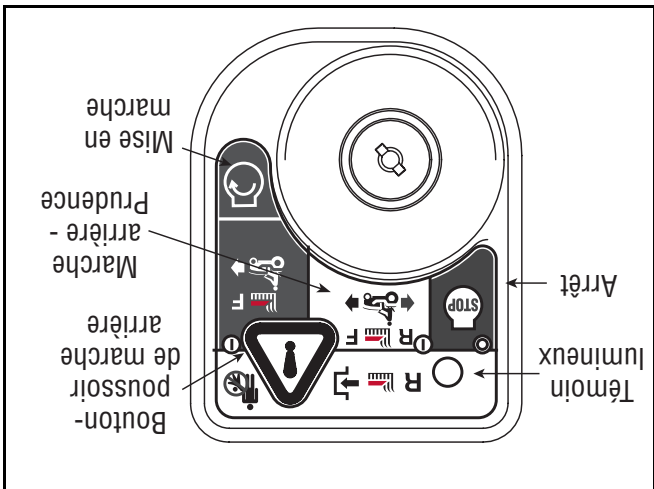


Figure 9

### Mise en marche du moteur

**AVERTISSEMENT:** N'utilisez pas le tracteur si le système de sécurité est défectueux. Ce système a été conçu pour votre sécurité et protection.

**REMARQUE:** Faites les pleins d'huile et d'essence selon les instructions fournies dans la notice d'utilisation du moteur qui accompagne le tracteur. Lisez attentivement les instructions.

1. Insérez la clé du tracteur dans le commutateur d'allumage.
2. Placez la manette, ou le bouton, de la prise de force (Embrayage de la lame) à la position « OFF » (non enclenchée).
3. Appuyez sur la pédale de frein et serrez le frein de stationnement.
4. Déplacez la commande de volet de départ.
5. Tournez la clé dans le sens des aiguilles d'une montre, jusqu'à la position START (Démarriage).

**REMARQUE:** N'utilisez pas le tracteur si le volet de départ est fermé. Le mélange de carburant serait trop riche et le moteur risquerait de tourner de façon peu performante.

**IMPORTANT:** Ne tenez pas la clé à la position START (Démarriage) pendant plus de 10 secondes, car vous risquez d'endommager le démarreur.

à la position ON (Marche).  
 Quand le moteur tourne, lâchez la clé. Elle revient à la position « FAST » (Rapide).

6. Quand le moteur tourne, dégagez la manette du volet de départ et placez la manette de l'obturateur à la position « FAST » (Rapide).

### Conduite du tracteur

**AVERTISSEMENT:** Évitez les démarrages brusques, toute vitesse excessive et les arrêts soudains.

**AVERTISSEMENT:** Ne quittez pas le poste de conduite sans avoir d'abord placé la manette, ou le bouton, de la prise de force (Embrayage de la lame) à la position OFF (non enclenchée), enfoncé la pédale de frein et serré le frein de stationnement. Si vous laissez le tracteur sans surveillance, pensez à retirer la clé.

- Appuyez sur la pédale de frein pour desserrer le frein de stationnement et laissez la pédale revenir. Placez la manette de l'obturateur à la position FAST (lapin).
- Pour vous déplacer en MARCHÉ AVANT, appuyez lentement sur la partie supérieure de la pédale d'accélérateur jusqu'à l'obtention de la vitesse désirée. Voir la Figure 10.

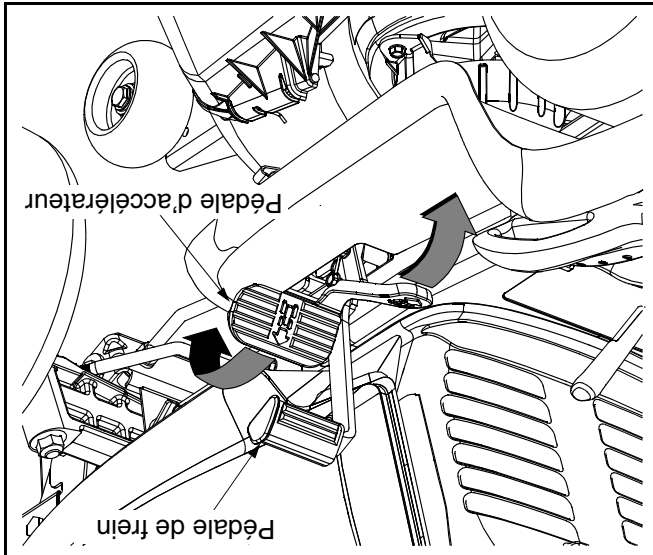


Figure 10

### Arrêt du moteur

**AVERTISSEMENT:** Arrêtez le moteur après avoir heurté un objet quelconque. Débranchez le fil de la bougie et vérifiez soigneusement que la machine n'est pas endommagée. Réparez les dégâts éventuels avant de remettre la machine en route.

1. Placez la manette, ou le bouton, de la prise de force (Embrayage de la lame) à la position OFF (non enclenchée).
2. Placez la commande du volet de départ/de l'obturateur entre la position de mise en marche et la position rapide (Lapin).
3. Tournez la clé dans le sens contraire aux aiguilles d'une montre jusqu'à la position OFF (Arrêt).
4. Retirez la clé de l'allumage pour empêcher tout démarrage accidentel.



## Commutateurs internes de sécurité

Ce tracteur est muni d'un système de sécurité conçu pour protéger le conducteur. Si ce système est défectueux, n'utilisez pas le tracteur. Adressez-vous à une station technique agréée dans votre région.

- Ce système de sécurité empêche le moteur de tourner et de démarrer si la pédale de frein n'est pas complètement enfoncée et si la manette, ou le bouton, de la prise de force (Embrayage de la lame) n'est pas à la position non enclenchée. Pour vérifier son bon fonctionnement, placez le bouton de la prise de force (pour embrayer la lame) à la position ON et desserrez le frein de stationnement. Il ne devrait pas être possible de faire démarrer le moteur.

- Le système de sécurité arrêté automatiquement le moteur si le conducteur quitte son siège avant de serrer le frein de stationnement. Pour vérifier son bon fonctionnement, faites démarrer le tracteur, desserrez le frein de stationnement et redressez-vous brièvement du siège. Le moteur devrait caler.
- Le moteur s'arrête automatiquement quand le conducteur quitte le poste de conduite alors que la manette de la prise de force (Embrayage de la lame) se trouve à la position « ON » (Embrayée), que le frein de stationnement soit serré ou non. Pour vérifier son bon fonctionnement, faites démarrer le moteur, placez le bouton de la prise de force (pour embrayer la lame) à la position ON et redressez-vous brièvement du siège. Le moteur devrait caler.

- La clé de contact étant réglée à la **POSITION DE TONTE NORMALE**, la prise de force se débarrera automatiquement si le bouton de la prise de force (pour embrayer la lame) est placé à la position ON quand la pédale de l'accélérateur se trouve en position de marche arrière. Pour vérifier son bon fonctionnement, faites démarrer le moteur avec la clé de contact en position de **tonte normale**, placez le bouton de la prise de force (pour embrayer la lame) à la position ON alors que le levier de vitesses se trouve à la position de marche arrière. Le moteur devrait caler.



**AVERTISSEMENT:** N'utilisez pas le tracteur si le système de sécurité ne fonctionne pas correctement. Ce système est conçu pour votre sécurité et pour votre protection.

## Travail en marche arrière

La position « **Reverse Caution Mode** » (Marche arrière - Prudence) du module du commutateur d'allumage permet d'utiliser le tracteur en marche arrière quand les lames (prise de force) sont embrayées.

**IMPORTANT:** Tondre l'herbe en marche arrière n'est pas recommandée.



**AVERTISSEMENT:** Soyez très prudent si vous utilisez le tracteur en mode « **Reverse Caution Mode** » (Marche arrière – Prudence). Regardez toujours derrière vous et au niveau du sol avant de faire marche arrière et en reculant. N'utilisez pas le tracteur si des enfants ou autres spectateurs sont à proximité. Arrêtez immédiatement le tracteur si quelqu'un s'approche.

Pour utiliser le mode « **Reverse Caution Mode** » (Marche arrière – Prudence) :

**IMPORTANT:** Le conducteur *DOT* occuper le poste de conduite.

1. Mettez le moteur en marche de la manière expliquée dans la notice d'utilisation.

2. Déplacez la clé de la position « **NORMAL MOWING** » (Verte) (Tonte normale) à la position « **REVERSE CAUTION MODE** » (Jaune) (Marche

arrière - Prudence). Voir la Figure 9.

3. Appuyez sur le **BOUTON-POUSSOIR DE MARCHÉ ARRIÈRE** (Bouton triangulaire orange)

dans le coin supérieur droit du module d'allumage. Le témoin lumineux rouge dans le coin supérieur

gauche s'allume quand la marche arrière est

embrayée. Voir la Figure 9.

4. Quand le témoin lumineux est allumé, le tracteur

peut être utilisé en marche arrière même si les

lames sont embrayées (prise de force).

5. Regardez toujours derrière vous et au niveau du sol

avant de faire marche arrière et en reculant pour

vous assurer qu'aucun enfant n'est à proximité.

6. Remplacez la clé à la position « **Normal Mowing** »

(Tonte normale) pour repartir en marche avant.

**IMPORTANT:** Le mode « **Reverse Caution Mode** »

(Marche arrière) reste embrayé jusqu'à ce que

la clé soit replacée à la position « **Normal**

**Mowing** » (Tonte normale) ou à la position

« **Stop** » (Arrêt).

b. le conducteur serre le frein de stationnement

en appuyant à fond sur la pédale de frein et

en la maintenant à cette position tout en

poussant sur le bouton du frein de

stationnement.

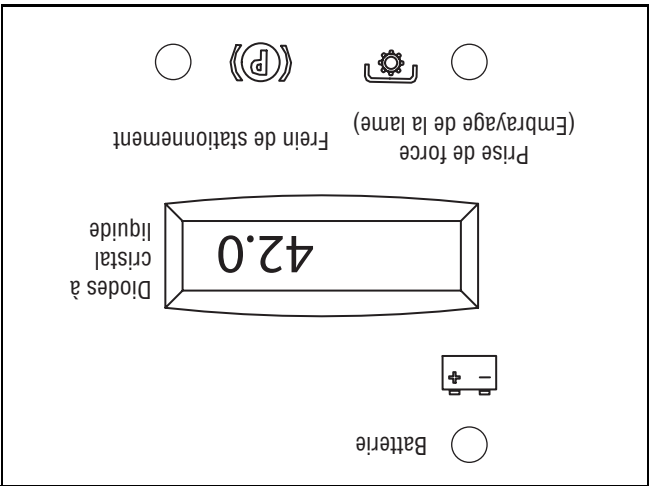
La manette de la prise de force (Embrayage de la lame) se trouve sur la gauche du tableau de bord, près du volant, sur les modèles avec la prise de force manuelle (Embrayage de la lame).

## Manette de la prise de force (Embrayage de la lame)

Si l'indicateur s'allume **quand le moteur tourne**, il indique que la batterie doit être rechargée. OU le système de charge du moteur ne produit pas un ampérage suffisant. Consultez le chapitre **ENTRETIEN** dans cette notice d'utilisation quant à la méthode correcte de charge de la batterie ou faites vérifier le système de charge par un concessionnaire.

**Batterie**  
Si l'indicateur du frein s'allume au moment du démarrage du tracteur, appuyez sur la pédale de frein. Si l'indicateur du frein s'allume au moment du démarrage du tracteur, appuyez sur la pédale de frein. Si l'indicateur de la prise de force (Embrayage de la lame) ou le levier de la prise de force (Embrayage de la lame) s'allume au moment du démarrage du tracteur, placez le bouton de la prise de force (Embrayage de la lame) à la position non enclenchée (OFF).

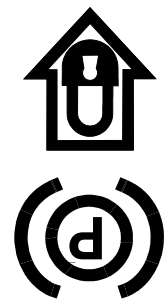
**Frein**  
Si l'indicateur du frein s'allume au moment du démarrage du tracteur, appuyez sur la pédale de frein.



Cet indicateur sert aussi à rappeler au conducteur les intervalles entre les vidanges d'huile. Dans ce cas, l'indicateur clignote entre les heures enregistrées, « CHG » et « OIL » pendant cinq minutes chaque fois que 50 heures d'utilisation sont enregistrées. L'intervalle d'entretien dure deux heures (50 à 52 heures, 100 à 102 heures, 150 à 152 heures, etc.). L'indicateur clignote aussi de la même façon pendant cinq minutes chaque fois que le moteur du tracteur démarre pendant cette période où l'entretien est requis. Avant la fin de la période, changez l'huile du carter selon les instructions fournies dans cette notice d'utilisation.

**IMPORTANT:** Serrez toujours le frein de stationnement si vous laissez le tracteur sans surveillance.

Le bouton de la pédale de frein de stationnement, appuyez légèrement sur la pédale de frein. Le bouton revient alors à sa position initiale.

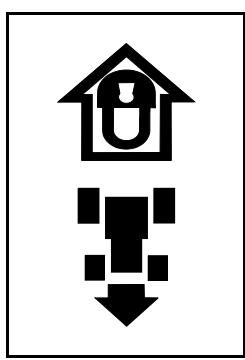


Pour serrer le frein de stationnement, appuyez à fond sur la pédale de frein et enfoncez le bouton du frein de stationnement. Maintenez le bouton en retirant votre pied de la pédale. Le bouton et la pédale de frein resteront enfoncés. Pour desserrer le frein de stationnement, appuyez légèrement sur la pédale de frein.

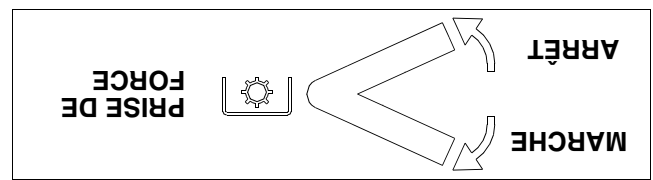
## Bouton du frein de stationnement

**REMARQUE:** Le régulateur de vitesse ne peut pas être enclenché à la vitesse de déplacement du tracteur la plus rapide. Si le conducteur essaie de l'enclencher, le tracteur ralentit automatiquement à la vitesse de travail optimale.

pour obtenir plus de renseignements. FONCTIONNEMENT dans cette notice d'utilisation débrayer le régulateur de vitesse. Consultez le chapitre pédale de frein ou sur la pédale d'accélérateur pour pression sur la pédale de conduite. Appuyez sur la vitesse de déplacement du tracteur sans appliquer de d'enclencher le régulateur de vitesse et de maintenir la d'accélérateur. Ceci permet relâchez la pédale



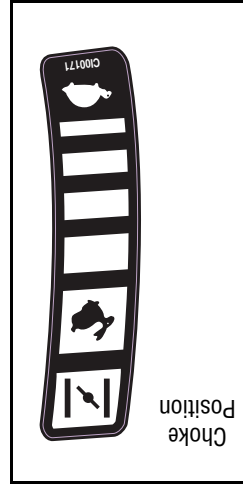
**Bouton du régulateur de vitesse**  
Il est situé sur le tableau de bord du tracteur, sur la gauche du commutateur d'allumage. Enfoncez le bouton du régulateur de vitesse quand le tracteur avance à la vitesse voulue. Maintenez le bouton enfoncé et relâchez la pédale d'accélérateur. Ceci permet de maintenir la vitesse de déplacement du tracteur sans appliquer de pression sur la pédale de conduite. Appuyez sur la pédale de frein ou sur la pédale d'accélérateur pour débrayer le régulateur de vitesse. Consultez le chapitre FONCTIONNEMENT dans cette notice d'utilisation pour obtenir plus de renseignements.



Faites pivoter la manette de la prise de force (Embrayage de la lame) à fond (vers l'avant) pour embrayer le plateau de coupe et des autres accessoires (vendus séparément); déplacez la manette vers l'arrière pour débrayer les accessoires. **REMARQUE:** La manette de la prise de force (Embrayage de la lame) doit se trouver à la position OFF (non enclenchée) lors de la mise en route du moteur.

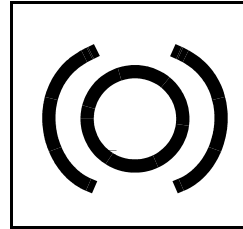
## Commande du volet de départ/de

Elle se trouve sur la droite du tableau de bord du tracteur et sert à régler le régime du moteur. Poussee à fond, elle permet de fermer le volet de départ pour faciliter les démarrages à froid. L'obturateur peut aussi maintenir un régime du moteur constant selon le réglage choisi.



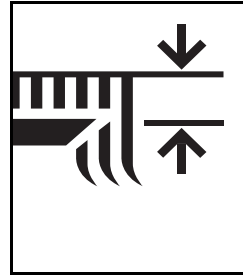
## Pédale de frein

La pédale de frein se trouve à l'avant à droite du tracteur, au-dessus de la pédale d'accélérateur, à côté du marchepied. Elle est utilisée pour arrêter rapidement le tracteur et pour serrer le frein de stationnement.



## Manette de relevage du plateau de coupe

Elle se trouve sur le garde-boue de droite du tracteur et sert à modifier la hauteur du plateau de coupe. Déplacez la manette vers la gauche, puis placez-la dans l'encoche correspondant à la situation.



## Module du commutateur d'allumage

**AVERTISSEMENT:** Ne laissez jamais une machine en marche sans surveillance. Débrayez toujours la prise de force, placez le levier de vitesses au point mort, serrez le frein de stationnement, arrêtez le moteur et retirez la clé pour empêcher tout démarrage non intentionnel.



Pour mettre le moteur en marche, enfoncez la clé dans le commutateur d'allumage et tournez-la dans le sens des aiguilles d'une montre jusqu'à la position « **START** » (Mise en marche). Laissez la clé revenir à la position « **NORMAL MOWING MODE** » (Tonte normale) quand le moteur tourne normalement.

Pour arrêter le moteur, tournez la clé dans le sens contraire aux aiguilles d'une montre, jusqu'à la position « **STOP** » (Arrêt). Voir la Figure 8.

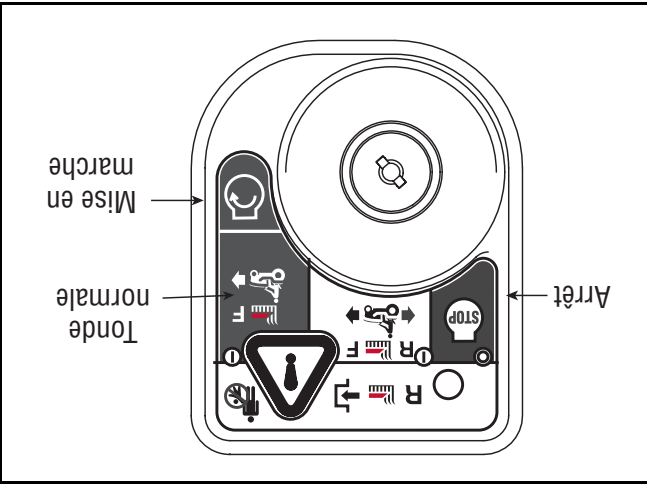
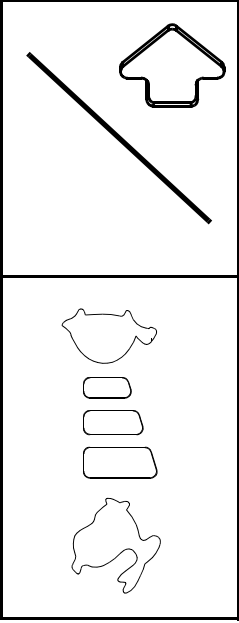


Figure 8

**IMPORTANT:** Avant d'utiliser le tracteur, lisez les instructions plus détaillées concernant les « **Commutateurs internes de sécurité** » à la page 17 et le « **Mise en marche du moteur** » à la page 18. Ces instructions expliquent le module du commutateur d'allumage et l'utilisation du tracteur au mode « **Reverse** – **Caution Mode** » (Marche arrière – Prudence).

## Pédale d'accélérateur

Cette pédale se trouve sous la pédale de frein, à l'avant à droite du tracteur, à côté du marchepied. Appuyez sur la pédale d'accélérateur du pied droit quand le sélecteur de vitesses du tracteur se trouve à la position « Marche avant » ou « Marche arrière » pour faire déplacer le tracteur. La vitesse de déplacement est aussi contrôlée par la pédale d'accélérateur. Plus on appuie sur la pédale, plus le tracteur se déplace rapidement. La pédale revient à sa position initiale quand elle n'est pas appuyée.



## Système de contrôle

### Diodes à cristal liquide

**IMPORTANT:** Serrez toujours le frein de stationnement avant de laisser le tracteur sans surveillance. Le système de contrôle, qui se trouve au centre de la console du tracteur, enregistre et affiche les heures de fonctionnement du tracteur, c'est-à-dire des que la clé de contact quitte la position « **STOP** » (Arrêt).

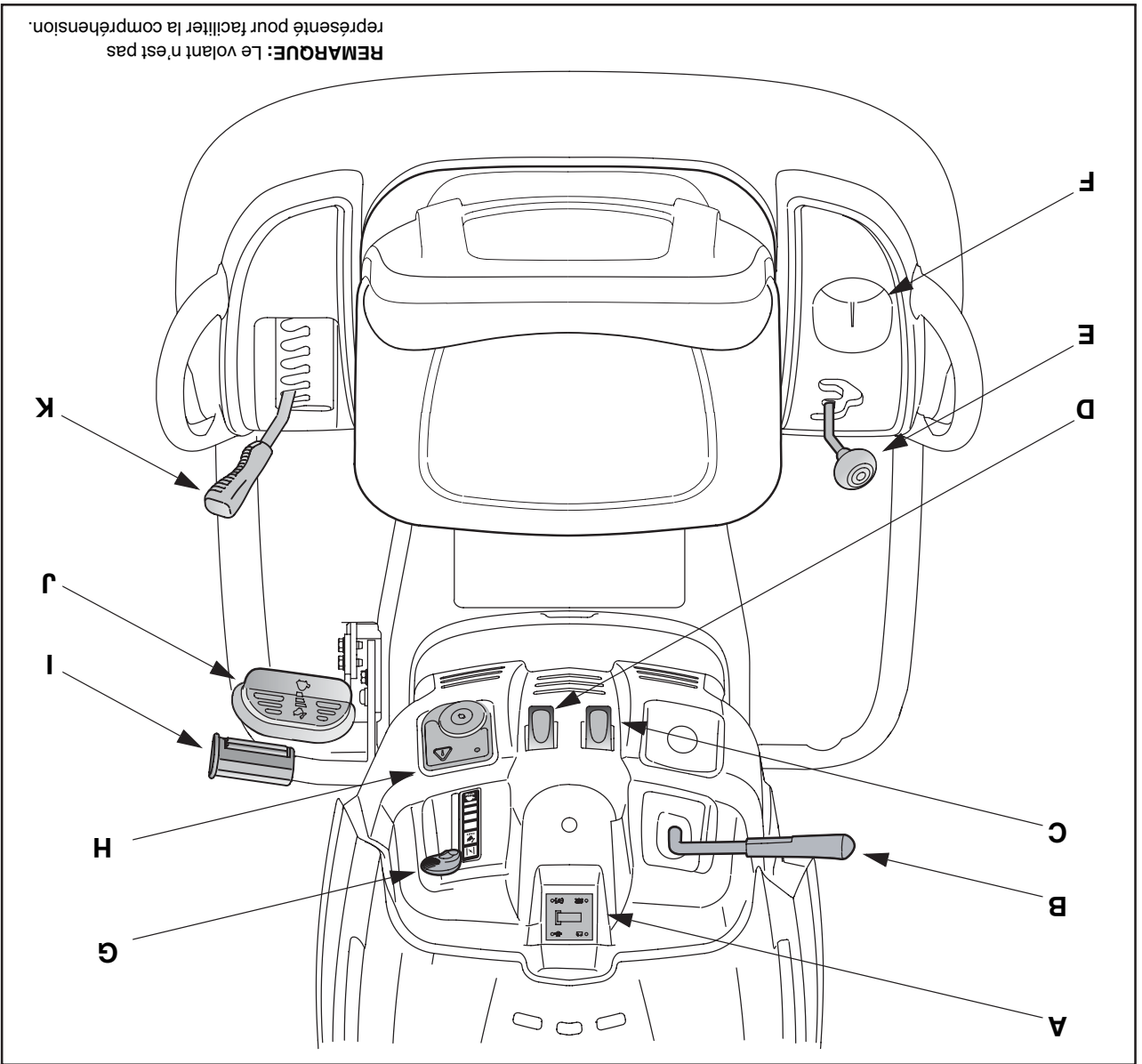


Figure 7

- A Indicateur de contrôle/Compteur d'heures
- B Manette de la prise de force
- C Bouton de frein de stationnement
- D Bouton du régulateur de vitesse
- E Sélecteur de vitesse
- F Porte-boisson
- G Manette de commande de l'obturateur/volet de départ
- H Module du commutateur d'allumage
- I Pédale de frein
- J Pédale d'accélérateur
- K Manette de relevage

REMARQUE : Toute référence à la DROITE ou à la GAUCHE s'entend à partir de la position de conduite.

**IMPORTANT:** Le tracteur est expédié avec une petite quantité d'huile. Il est **toujours** recommandé de vérifier le niveau d'huile avant de le mettre en marche. Selon les instructions fournies dans la notice d'utilisation du moteur qui accompagne le tracteur.

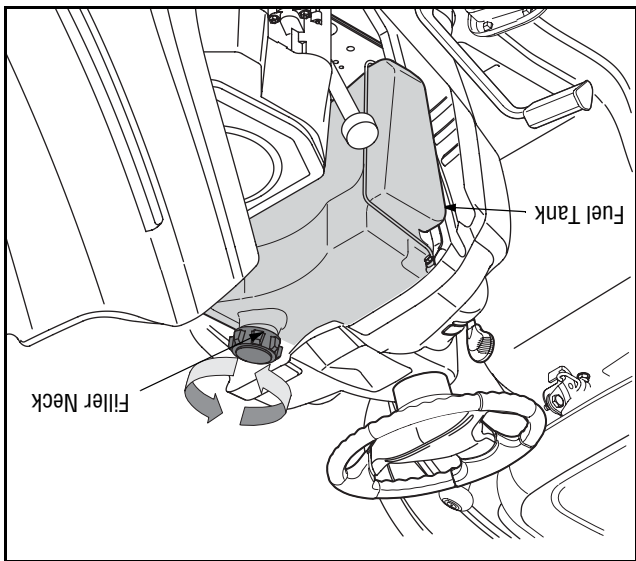
Faites les pleins d'huile et d'essence selon les instructions fournies dans la notice d'utilisation du moteur qui accompagne le tracteur. Lisez attentivement les instructions.

**AVERTISSEMENT:** Faites très attention en manipulant de l'essence. Il s'agit d'un produit hautement inflammable et les vapeurs peuvent s'exploser. Ne faites jamais le plein à l'intérieur, quand le moteur est chaud ou pendant qu'il tourne. Éteignez les cigarettes, cigares, pipes ou autres sources de chaleur.



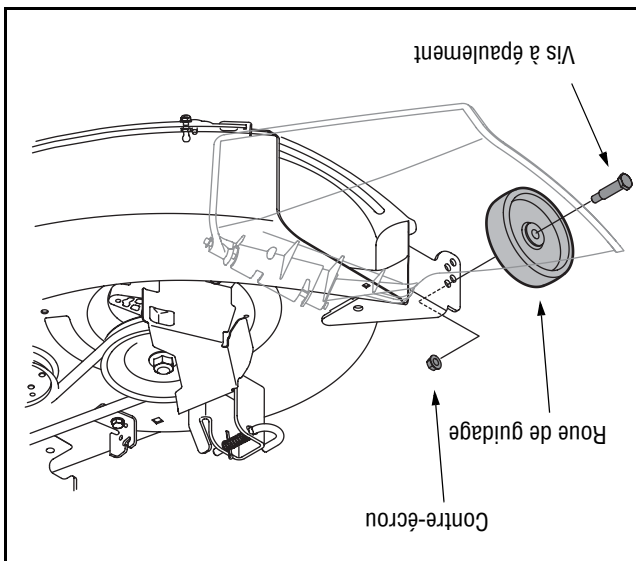
**AVERTISSEMENT:** Faites très attention en manipulant de l'essence. Il s'agit d'un produit hautement inflammable et les vapeurs peuvent s'exploser. Ne faites jamais le plein à l'intérieur, quand le moteur est chaud ou pendant qu'il tourne. Éteignez les cigarettes, cigares, pipes ou autres sources de chaleur.

Figure 6



**Pleins d'huile et d'essence**

Figure 5



**AVERTISSEMENT :** Le plateau de coupe peut lancer des projectiles. Son utilisation sans une goulotte d'éjection correctement installée peut causer des blessures corporelles graves et/ou causer des dégâts à proximité du tracteur.

## Réglage des roues de guidage

### Outils nécessaires

(2) clé 9/16 po

Choisissez la hauteur du plateau de coupe en plaçant la manette de relevage dans l'une des six encoches sur le garde-boue de droite.

Ajustez les roues du plateau de coupe comme suit, pour qu'elles se trouvent entre  $\frac{1}{4}$  et  $\frac{1}{2}$  po du sol

**AVERTISSEMENT :** Eloignez les mains et les pieds de l'ouverture d'éjection sur le plateau de coupe.

Placez le tracteur sur une surface ferme et plane, de préférence goudronnée. Consultez le Figure 5 et procédez comme suit :

- Placez la manette de relevage du plateau de coupe du tracteur à la hauteur de travail normale, puis vérifiez si les roues de guidage sont en contact avec le sol ou si le dégagement est trop important.
- Si les roues touchent la surface, ajustez comme suit :

- Placez la manette de relevage du plateau de coupe à la position la plus haute.
  - Enlevez les contre-écrous et les vis à épaulement qui maintiennent les roues de guidage avant sur le plateau de coupe.
  - Placez la manette de relevage du plateau de coupe à la position de travail désirée.
  - Enfoncez la vis à épaulement de la roue de guidage arrière dans le trou indexé qui laisse environ  $\frac{1}{2}$  po entre la base de la roue et la surface goudronnée.
  - Notez la position du trou indexé, puis installez l'autre roue de guidage arrière et les roues à billes avant dans le trou indexé correspondant des supports des autres roues de guidage.
- Si l'espace entre les roues de guidage et le sol est trop important, abaissez les roues dans le trou indexé qui assure un dégagement de  $\frac{1}{2}$  po environ, de la façon décrite ci-dessus.
- Consultez la section **Mise de niveau du plateau de coupe**, de cette notice d'utilisation pour de plus amples renseignements concernant les divers ajustements du plateau de coupe.

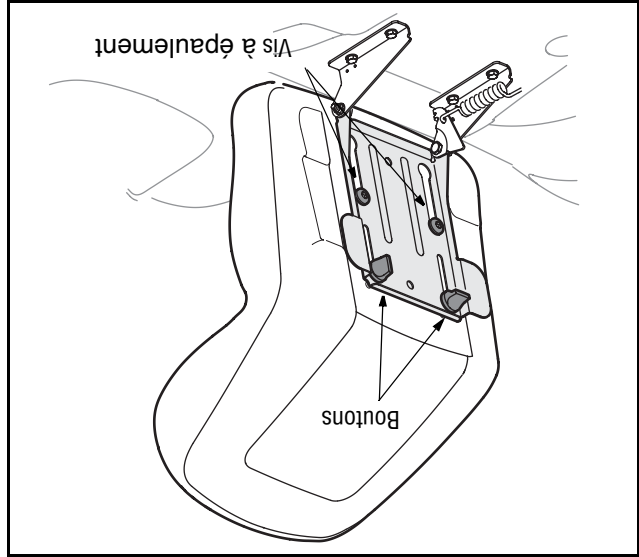


Figure 3

## Démontage du support de la goulotte

**AVERTISSEMENT :** Arrêtez le moteur, serrez le frein de stationnement et enlevez la clé avant d'enlever le support de la goulotte d'éjection.

- Repérez le support de la goulotte d'éjection et son étiquette d'avertissement sur la droite du plateau de coupe, entre la goulotte d'éjection et le plateau de coupe. Voir la Figure 4.

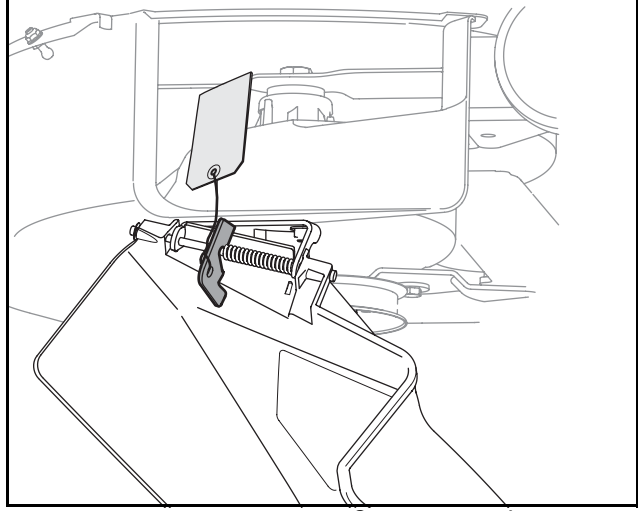


Figure 4

- Tenez la goulotte d'éjection de la main gauche et retirez le support de la main droite en le prenant entre le pouce et l'index et tournez dans le sens des aiguilles d'une montre.

**AVERTISSEMENT :** N'utilisez PAS le tracteur sans avoir au préalable démonté le support de la goulotte d'éjection qui se trouve entre la goulotte d'éjection et le plateau de coupe. Elle ne sert que pour l'expédition.



## Installation du volant

### Outils nécessaires

(1) clé ouverte de 1/2 po

1. La boulonnerie nécessaire à l'installation du volant a été placée sous le capuchon du volant. Ouvrez soigneusement le capuchon du volant pour sortir le sachet de boulonnerie.
2. **Redressez les roues du tracteur vers l'avant** et positionnez le volant au-dessus de la colonne de direction.
3. Placez la rondelle, côté creux vers le dessous, sur l'arbre de direction. Maintenez avec un boulon de retenue hex. Voir la Figure 1.

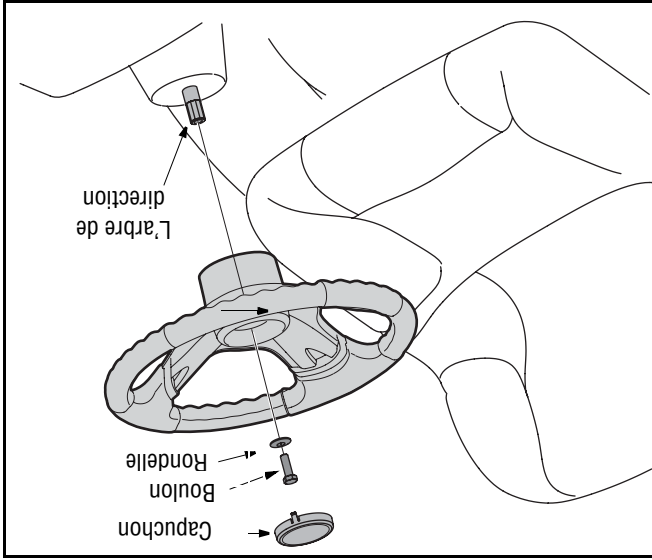


Figure 1

4. Placez le capuchon du volant au milieu du volant et appuyez jusqu'à ce qu'il s'emboîte.

## Installation des câbles de la batterie.

### Outils nécessaires

(1) clé 7/16 po

**REMARQUE:** Les câbles de la batterie peuvent ou ne peuvent être attachés sur votre tracteur. Si les câbles ne sont pas attachés, suivez les instructions ci-dessous.

**REMARQUE:** La borne positive de la batterie est identifiée par Pos. (+) et la borne négative par Nég. (-).

- Le câble positif (épais fil rouge) est attaché à la borne positive (+) par un boulon ordinaire et un écrou à six pans posés à l'usine. Vérifiez que la gaine en caoutchouc protège bien la borne contre la corrosion.
- Enlevez le boulon ordinaire et l'écrou à six pans du câble négatif.

## Pression des pneus



**AVERTISSEMENT:** Une pression maximale de 30 lb/po2 est toujours recommandée. Maintenez toujours une pression égale dans tous les pneus.

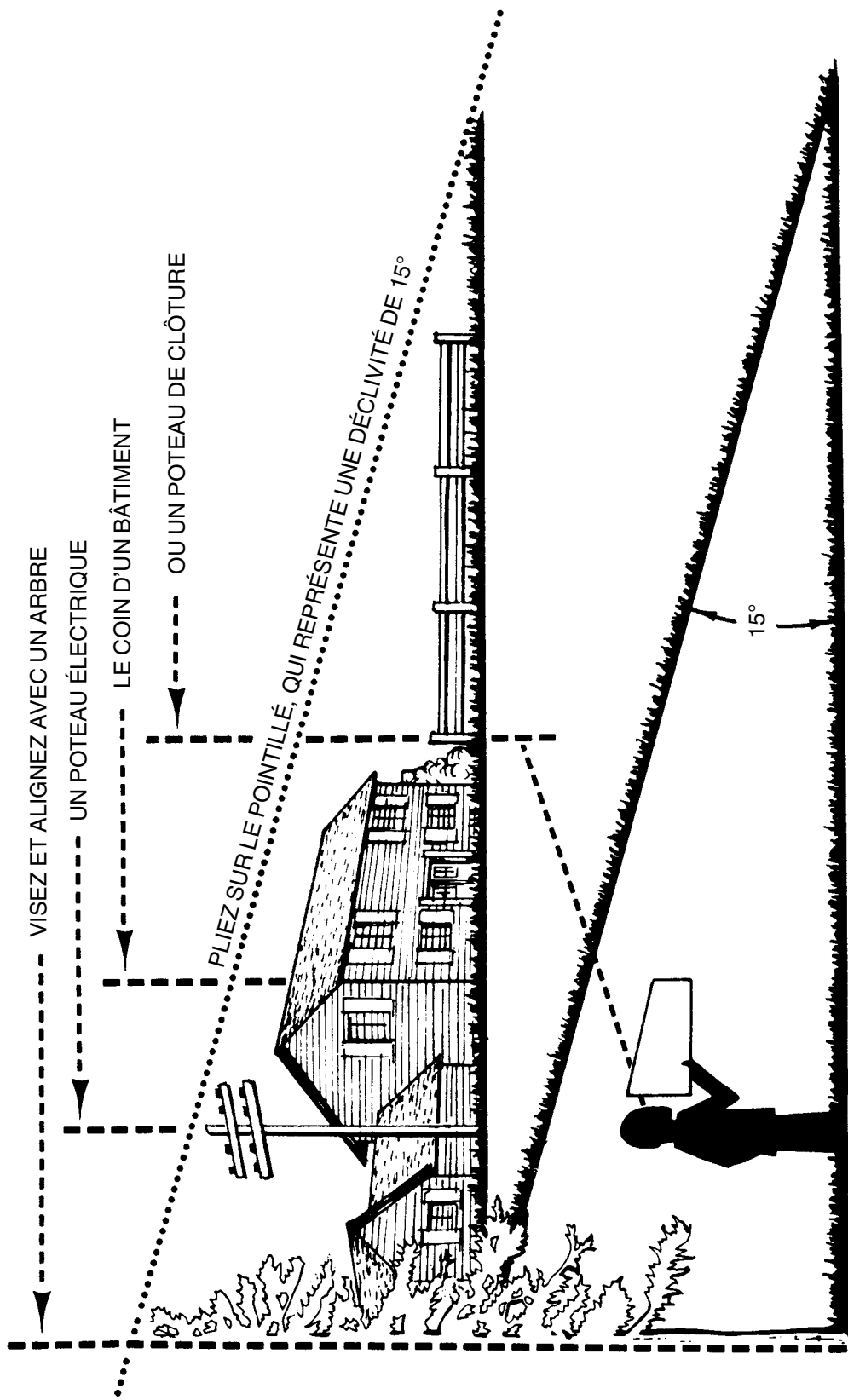
**REMARQUE:** Les pneus de ce tracteur peuvent avoir été trop gonflés pour l'expédition. Diminuez la pression dans les pneus avant d'utiliser le tracteur. La pression de travail recommandée pour les pneus arrière est de 10 lb/po2 et de 14 lb/po2 pour les pneus avant. Vérifiez la pression maximale indiquée sur les flancs des pneus.

## Installation du siège

1. Retirer les deux boutons de la base du siège.
2. Placez les vis à épaulement (qui se trouvent sur la base du siège) dans les fentes du support du pivotement du siège. Voir la Figure 5.
3. Faites glisser le siège vers l'arrière dans le support de pivotement et alignez les fentes arrière du support de pivotement avec les deux trous qui restent dans la base du siège.
4. Choisissez la position du siège et maintenez-le en place avec les deux boutons retirés plus tôt. Voir la Figure 3.

## CHAPITRE 3: INCLINOMÈTRE

Server-vous de cet inclinomètre pour déterminer les pentes sur lesquelles il serait dangereux de travailler. N'utilisez pas cet tracteur de pelouse sur de telles pentes.

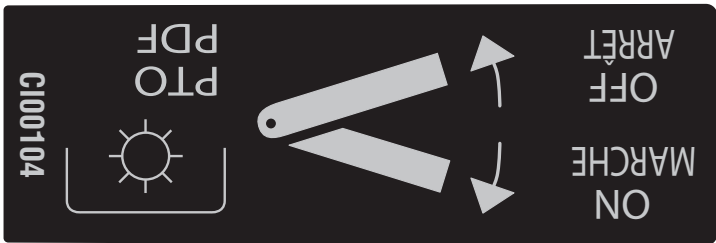
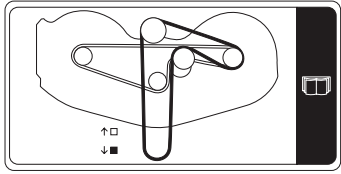
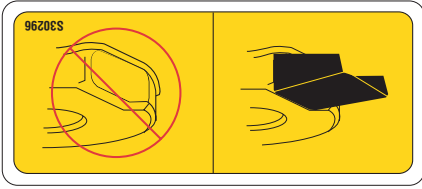
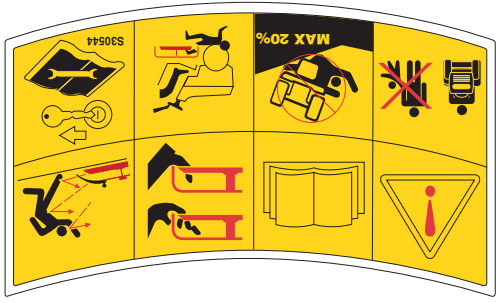


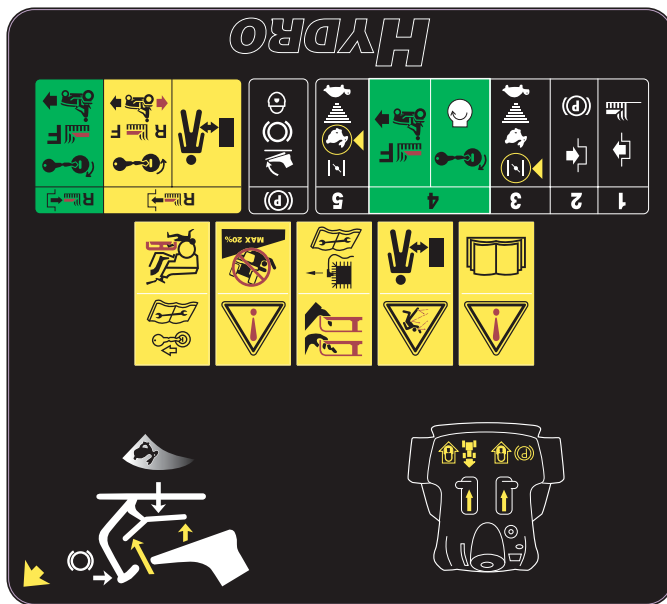
Ne vous tondez pas sur des pentes supérieures à 15° (soit une déclivité de 2-1/2 pi par 10 pi). Un tracteur à siège risque en effet de se retourner et son conducteur peut être gravement blessé. Il est également difficile de conserver un bon appui en marchant derrière la tondeuse. Vous risquez de glisser et de vous blesser.

Utilisez les tracteurs À SIÈGE parallèlement à la pente, jamais en travers.

Utilisez les tondeuses À POUSSER perpendiculairement à la pente, jamais parallèlement.

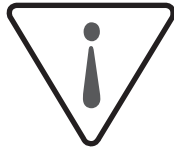







Les étiquettes d'instructions et de sécurité représentées ci-dessous peuvent se trouver sur votre tracteur de pelouse. Suivez toujours les instructions et tenez compte des avertissements. Si une étiquette de sécurité est endommagée, déchirée ou a disparu, commandez immédiatement une étiquette de remplacement.

## CHAPITRE 2: ÉTIQUETTES D'INSTRUCTIONS ET DE SÉCURITÉ

Signification	Symbole
<p><b>SYMBOLE D'AVERTISSEMENT</b> — Il indique un danger, un avertissement ou une précaution à prendre et peut accompagner d'autres symboles ou images.</p>	
<p><b>AVERTISSEMENT - VEUILLEZ LIRE LA NOTICE D'UTILISATION</b> - Veuillez lire la notice d'utilisation et suivre les avertissements et consignes de sécurité. L'utilisateur de l'équipement et/ou tout spectateur risque d'être grièvement blessés dans le cas contraire.</p>	

La notice d'utilisation décrit les symboles de sécurité et les images qui peuvent les accompagner sur ce produit.

## SYMBOLES DE SÉCURITÉ



**AVERTISSEMENT: VOTRE RESPONSABILITE** Ne permettez l'utilisation de cette machine qu'à des personnes qui ont lu, qui comprennent et qui respectent les avertissements et les instructions qui figurent dans cette notice d'utilisation.

- g. N'enlevez jamais le capuchon d'essence et n'ajoutez pas d'essence pendant que le moteur tourne ou s'il est chaud. Laissez le moteur refroidir pendant au moins deux minutes avant de faire le plein.
  - h. Ne faites jamais déborder le réservoir. Laissez un espace d'un demi-pouce environ pour permettre l'expansion du carburant.
  - i. Resserrez bien le capuchon d'essence.
  - j. En cas de débordement, essuyez toute éclaboussure sur le moteur et la machine. Déplacez la machine et attendez 5 minutes avant de la remettre en marche.
  - k. Limitez les risques d'incendie en débarrassant le moteur des brins d'herbe, feuilles et autres saletés. Essayez les éclaboussures de carburant ou d'huile et enlevez tous les débris imbibés d'essence.
  - l. Ne remisez jamais la machine ou les bidons d'essence à l'intérieur s'il y a une flamme, une étincelle (chauffe-eau à gaz, radiateur, sèche-linge, etc.)
  - m. Laissez la machine refroidir pendant au moins 5 minutes avant de la remiser.
- ENTRETIEN GÉNÉRAL :**
1. Ne faites jamais fonctionner la machine dans un local clos car les gaz d'échappement du moteur contiennent du monoxyde de carbone, un gaz inodore très dangereux.
  2. Avant de nettoyer, de réparer ou d'examiner la machine, vérifiez que les lames et toutes les pièces mobiles se sont immobilisées. Débranchez le fil de la bougie et mettez-le à la terre contre le moteur pour empêcher tout démarrage accidentel.
  3. Vérifiez régulièrement que les lames s'immobilisent dans les 5 secondes qui suivent l'utilisation de la commande de débrayage des lames. Si elles ne s'arrêtent pas dans ce délai, faites examiner la machine par une station technique agréée.
  4. Vérifiez souvent que les freins fonctionnent bien car ils peuvent s'user dans des conditions d'utilisation normales. Réglez-les selon le besoin.
5. Vérifiez souvent que les lames et les boulons de montage du moteur sont bien serrés. Examinez visuellement les lames pour détecter toute usure excessive, tout fendillement.
  - Remplacez-les par des lames authentiques seulement. «L'emploi de pièces non conformes aux caractéristiques de l'équipement d'origine peut causer des performances inférieures et réduire la sécurité.»
  6. Les lames sont coupantes et peuvent causer des blessures graves. Enveloppez les lames avec un chiffon ou portez des gants et faites très attention en les manipulant.
  7. Assurez-vous que tous les écrous, boulons et vis sont bien serrés pour que l'équipement soit toujours en bon état de marche.
  8. Ne modifiez jamais les dispositifs de sécurité. Vérifiez souvent qu'ils fonctionnent bien.
  9. Si vous heurtez un objet, arrêtez immédiatement le moteur, débranchez le fil de la bougie et examinez soigneusement la machine. Réparez les dégâts éventuels avant de remettre la machine en marche.
  10. N'essayez jamais de faire des réglages ou des réparations quand le moteur tourne.
  11. Les éléments du sac à herbe et le clapet de la goulotte d'éjection peuvent s'user et être endommagés et, par conséquent, exposer les pièces mobiles ou causer la projection de débris. Par mesure de sécurité, vérifiez souvent les éléments et remplacez-les immédiatement avec des pièces authentiques seulement. «L'emploi de pièces non conformes aux caractéristiques de l'équipement d'origine peut causer des performances inférieures et réduire la sécurité.»
  12. Ne modifiez pas le réglage du régulateur et ne laissez pas le moteur à son régime maximal de fonctionnement sans danger.
  13. Prenez soin des étiquettes d'instructions et remplacez-les au besoin.
  14. Respectez les réglements concernant l'élimination des déchets et liquides qui risquent de nuire à la nature et à l'environnement.

sécurité. Ils doivent apprendre à utiliser la machine et s'en servir sous la surveillance étroite d'un adulte.

## REMOQUAGE

1. Ne remorquez qu'avec une machine équipée d'un attelage de remorquage. N'accrochez pas l'équipement remorqué ailleurs qu'au point d'attelage.
2. Respectez les recommandations du fabricant quant aux limites de poids de l'équipement remorqué et au remorquage sur pente.
3. Ne transportez jamais quiconque sur l'équipement remorqué.
4. Le poids de l'équipement remorqué peut entraîner la perte de traction et par conséquent de contrôle du tracteur sur des pentes.
5. Avancez lentement et prévoyez une distance supplémentaire pour vous arrêter.
6. Ne passez pas au point mort pour descendre une pente.

## ENTRETIEN

### MANIPULATION DE L'ESSENCE :

Faites très attention en manipulant de l'essence. Il s'agit d'un produit extrêmement inflammable et les vapeurs risquent d'exploser. Vous pouvez être grièvement blessé si des étincelles s'enflamment. Rincez votre peau et changez immédiatement de vêtements.

- a. Remisez le carburant dans des bidons homologués seulement.
- b. Ne faites jamais le plein dans un véhicule, ni à l'arrière d'une camionnette dont le plancher est recouvert d'un revêtement en plastique. Placez toujours les bidons par terre et loin de votre véhicule avant de les remplir.
- c. Dans la mesure du possible, déchargez l'équipement motorisé de la remorque et faites le plein par terre. Si cela n'est pas possible, faites le plein avec un bidon plutôt que directement de la pompe à essence.
- d. Maintenez le gicleur en contact avec le bord du réservoir d'essence ou avec l'ouverture du bidon jusqu'à ce que le plein soit terminé. N'utilisez pas un gicleur équipé d'un dispositif de blocage en position ouverte.
- e. Éteignez toute cigarette ou pipe, tout cigare ou toute autre chaleur incandescente.
- f. Ne faites jamais le plein à l'intérieur.

5. Ne coupez pas l'herbe si elle est mouillée. La réduction de traction peut faire déraiper le tracteur.

6. Ne passez pas au point mort pour descendre une

pente. L'excès de vitesse peut causer la perte de contrôle du tracteur et causer des blessures graves.

7. Ne remorquez pas des accessoires lourds (remorque chargée, rouleau, etc.) sur des pentes supérieures à 5°. Le poids supplémentaire a tendance à pousser le tracteur et peut causer la perte de contrôle du tracteur (le tracteur peut accélérer, le freinage et la direction peuvent être limités, l'accessoire peut se mettre en crabe et le tracteur peut se renverser).

## ENFANTS

1. Un accident grave risque de se produire si le conducteur n'est pas toujours très vigilant en présence d'enfants. Les enfants sont souvent attirés par une machine et la tonte de l'herbe. Ils ne se rendent pas compte des dangers. Ne supposez jamais qu'ils vont rester là où vous les avez vus.

a. Eloignez les enfants de la zone de travail et placez-les sous la surveillance d'un adulte autre que le conducteur de la machine.

- b. Restez vigilant et arrêtez la machine si des enfants s'approchent de la zone de travail.
- c. Regardez toujours derrière vous et par terre avant de reculer et en reculant.
- d. Ne transportez jamais d'enfants, même si les lames ne tournent pas. Ils risquent de tomber et d'être grièvement blessés ou de gêner le fonctionnement sécuritaire de la machine.
- e. Faites très attention en vous approchant d'angles morts, de buissons, de portails, de buissons, d'arbres et d'autres objets qui peuvent vous empêcher de voir un enfant.

f. Pour éliminer tout risque d'accident en marche arrière, débrazez toujours la ou les lames avant d'enclencher la marche arrière. N'utilisez pas la mode «Reverse Caution Mode» (Marche arrière - Prudence) si des enfants ou autres personnes se trouvent à proximité.

- g. Ne laissez pas des enfants s'approcher d'un moteur chaud ou en marche. Ils risquent de se brûler.

h. Retirez la clé de contact quand la machine n'est pas surveillée pour empêcher son utilisation non autorisée.

- i. Ne permettez jamais à des enfants de moins de 14 ans d'utiliser la machine. Des enfants plus âgés doivent lire et comprendre le mode d'emploi de la machine et les consignes de

## UTILISATION SUR UNE PENTE

Les accidents provoqués par la perte de contrôle ou le renversement de la machine, qui peuvent causer des blessures graves ou mortelles, se produisent souvent sur des pentes. Travailler sur un terrain en pente demande des précautions supplémentaires. Si vous ne pouvez pas reculer sur la pente ou si vous ne vous sentez pas à l'aise sur la pente, n'y travaillez pas. Par mesure de sécurité, utilisez l'inclinomètre fourni dans la notice d'utilisation pour mesurer la pente du terrain avant de commencer à travailler. Si, selon l'inclinomètre, la pente est supérieure à 15°, n'utilisez pas le tracteur pour éviter toute blessure grave.

### À FAIRE :

1. Travaillez parallèlement à la pente, jamais perpendiculairement. Faites très attention en changeant de direction sur une pente.
2. Faites attention aux trous et ornières. La machine peut se retourner sur un terrain accidenté. Des herbes hautes peuvent cacher des obstacles.
3. Travaillez lentement. Utilisez une vitesse suffisamment lente pour ne pas avoir à vous arrêter ni à changer de vitesse sur la pente. Les pneus risquent de manquer de traction sur une pente, même si les freins fonctionnent correctement. Soyez toujours en vitesse en descendant une pente pour bénéficier du frein moteur.
4. Suivez les recommandations du fabricant quant aux poids des roues ou contre-poids à utiliser pour améliorer la stabilité.
5. Faites très attention en utilisant les sacs à herbe ou autres accessoires. Ils peuvent modifier la stabilité de la machine.
6. Déplacez-vous lentement et régulièrement sur les pentes. Ne changez pas brusquement de direction ou de vitesse. Un enclenchement rapide ou un coup de frein brusque peut soulever l'avant de la machine et la faire se retourner et causer des blessures graves.
7. Évitez de démarrer ou de vous arrêter sur une pente. Si les pneus n'adhèrent pas bien, débrayez les lames et descendez lentement la pente en ligne droite.

### À NE PAS FAIRE :

1. Ne tournez pas sur une pente à moins que cela soit nécessaire; tournez alors lentement et progressivement en descendant si possible.
2. Ne tondez pas près d'une falaise ou d'un talus. Une roue dans le vide ou l'affaïssement soudain de l'accotement peut renverser la machine.
3. N'essayez pas de stabiliser la machine en mettant pied à terre.
4. N'utilisez pas le sac à herbe sur des pentes raides.

20. Débrayez les lames, serrez le frein de stationnement, arrêtez le moteur et attendez que les lames se soient immobilisées avant de retirer le sac à herbe ou de déboucher la goulotte, d'enlever de l'herbe ou des débris ou de faire un réglage quelconque.
21. Ne laissez jamais une machine en marche non surveillée. Débrayez toujours les lames, mettez le levier de vitesses au point mort, serrez le frein de stationnement, arrêtez le moteur et enlevez la clé avant de quitter la machine.
22. Faites très attention en chargeant ou en déchargeant la machine d'une remorque ou d'un camion. Ne conduisez pas la machine sur un plan incliné pour la charger dans une remorque car elle peut basculer et causer des blessures graves. Poussez la machine à la main pour la charger ou la décharger.
23. Le silencieux et le moteur ont tendance à chauffer et risquent de causer des brûlures. Ne les touchez pas.
24. Vérifiez le dégagement vertical avant de passer sous des branches basses, des fils électriques, un portail ou dans toute autre situation où le conducteur risque d'être frappé et projeté de la machine et de se blesser grièvement.
25. Débrayez tous les embrayages des accessoires, appuyez à fond sur la pédale de frein et passez au point mort avant d'essayer de mettre le moteur en marche.
26. Ce tracteur a été conçu pour tondre un gazon résidentiel normal ne mesurant pas plus de 10 po de haut. N'essayez pas de tondre de l'herbe très haute, de l'herbe sèche (dans un pré par exemple) ou une pile de feuilles sèches. Les débris peuvent s'accumuler sous le plateau de coupe ou entrer en contact avec le tuyau d'échappement du moteur, d'où un risque d'incendie.
27. N'utilisez que des accessoires et équipement annexe homologués par le fabricant de la machine. Veuillez lire, bien comprendre et suivre toutes les instructions qui accompagnent l'accessoire ou l'équipement annexe.
28. Les statistiques disponibles révèlent que les conducteurs de plus de 60 ans sont impliqués dans un grand nombre d'accidents mettant en cause des tracteurs de jardin. Nous recommandons par conséquent à ces conducteurs d'évaluer sérieusement leur aptitude à utiliser ce genre d'équipement en toute sécurité.
29. Faites toujours preuve de bon sens dans des situations qui n'ont pas été abordées dans cette notice d'utilisation. Adressez-vous au concessionnaire agréé en cas de besoin.

# CHAPITRE 1: IMPORTANT CONSIGNES DE SÉCURITÉ



**AVERTISSEMENT:** Ce symbole attire votre attention sur des consignes de sécurité importantes qui, si elles ne sont pas respectées, peuvent mettre en danger non seulement votre personne et vos biens, mais aussi ceux d'autrui. Priez de lire toutes les instructions figurant dans cette notice d'utilisation avant d'essayer de vous servir de cette machine. Le non-respect de ces instructions peut entraîner des blessures corporelles. Respectez l'avertissement qui accompagne ce symbole.




**DANGER:** Cette machine doit être utilisée conformément aux consignes de sécurité qui figurent dans la notice d'utilisation. Comme avec tout appareil motorisé, une négligence ou une erreur de la part de l'utilisateur peut entraîner des blessures graves. Cette machine peut amputer mains et pieds et projeter des débris. Par conséquent, le non-respect de ces consignes peut causer des blessures corporelles graves et même mortelles.

## UTILISATION EN GÉNÉRAL

1. Assurez-vous de lire et de bien comprendre toutes les instructions qui figurent sur la machine et dans la notice d'utilisation avant de l'assembler et de la mettre en marche. Conservez cette notice d'utilisation à un endroit sûr pour toute consultation ultérieure et pour commander des pièces de rechange.
2. Familiarisez-vous avec les commandes et leur fonctionnement avant de vous en servir. Sachez comment arrêter la machine et débrayer les commandes rapidement.
3. Ne permettez jamais à des enfants de moins de 14 ans de se servir de la machine. Des enfants plus âgés doivent lire et comprendre le mode d'emploi de la machine et les consignes de sécurité. Un adulte doit leur apprendre à se servir de cette machine et les surveiller.
4. Seuls des adultes responsables connaissant bien le fonctionnement de la machine doivent être autorisés à s'en servir.
5. Gardez les spectateurs, les animaux de compagnie et les enfants à une distance d'au moins 75 pieds de la machine quand elle est en marche. Arrêtez la machine si quelqu'un s'approche.
6. Examinez soigneusement la zone de travail. Ramassez tous les pierres, bâtons, fils métalliques, os, jouets et autres objets qui risquent d'être projetés par les lames. Les objets projetés par la machine peuvent causer des blessures graves.
7. Prévoyez de travailler en évitant de projeter l'herbe vers des rues, des trottoirs, des spectateurs, etc. Évitez d'éjecter l'herbe en direction d'un mur ou d'un obstacle. De cette façon, les débris éventuels ne risquent pas de ricocher et de blesser quelqu'un.


8. Portez toujours des lunettes de sécurité en utilisant la machine ou en effectuant un réglage ou une réparation. Les objets risquent de ricocher et de blesser grièvement quelqu'un dans les yeux.
9. Portez des chaussures robustes à semelle épaisse et des vêtements bien ajustés. Ne portez jamais des vêtements lâches ni des bijoux qui risquent de se prendre dans les pièces en mouvement. N'utilisez jamais la machine pieds nus ou en portant des sandales.
10. Vérifiez la direction de la goulotte d'éjection du tracteur et ne l'orientez jamais vers des personnes. N'utilisez jamais le tracteur si le sac à herbe ou le dispositif de protection n'est pas installé.
11. Ne placez jamais vos mains ou vos pieds près d'une pièce en mouvement ou sous le plateau de coupe. Les lames peuvent amputer mains et pieds.
12. L'absence du clapet de la goulotte d'éjection ou un clapet endommagé peut causer des blessures en cas de contact avec les lames ou projeter des objets.
13. Arrêtez les lames avant de traverser une allée recouverte de gravier, un trottoir ou une route et quand vous ne tondez pas.
14. Faites attention à la circulation à proximité d'une route. Cette machine ne doit pas être utilisée sur un chemin public.
15. Ne vous servez pas de la machine après avoir bu des boissons alcoolisées ou pris de médicaments.
16. Travaillez en plein jour ou avec un éclairage artificiel satisfaisant.
17. Ne transportez JAMAIS de passagers.
18. Débrayez les lames avant de passer en marche arrière. Reculez lentement. Regardez toujours derrière vous avant de reculer et en reculant.
19. Ralentissez avant de tourner. Conduisez sans à-coups. Évitez une conduite saccadée et n'allez pas trop vite.

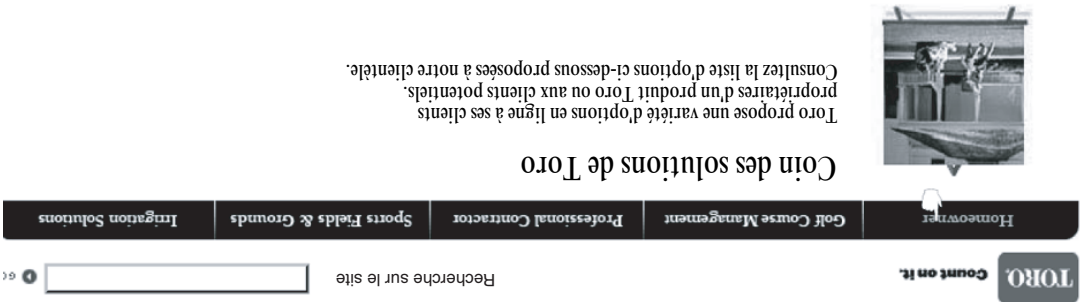
Pour toute question concernant votre tracteur, composez le 1-888-384-9942 (États-Unis) ou 1-888-848-4073 (Canada).



---


Vous trouverez de nombreuses suggestions utiles sur le site [www.toro.com](http://www.toro.com). Cliquez sur "Customer Care" dans la section "Homeowners" du Coin des solutions de Toro pour bénéficier d'une aide immédiate.





Coin des solutions de Toro

Toro propose une variété d'options en ligne à ses clients propriétaires d'un produit Toro ou aux clients potentiels. Consultez la liste d'options ci-dessous proposées à notre clientèle.




**Veillez retourner la machine au détaillant qui vous l'a vendue, sans vous adresser d'abord au service après-vente.**

Si l'assemblage de cette machine vous pose des problèmes ou pour toute question concernant les commandes, le fonctionnement ou l'entretien de la machine, vous pouvez chercher l'aide des experts. Choisissez des options ci-dessous:



## SERVICE APRÈS-VENTE



THE TORO COMPANY  
8111 LYNDALE AVE. SOUTH  
BLOOMINGTON, MINNESOTA 55420-1196  
TOLL FREE PHONE NUMBER: 1-888-384-9942 USA  
TOLL FREE PHONE NUMBER: 1-888-848-4073 Canada

---

MODEL NUMBER SERIAL NUMBER DOM

Recopiez ici le numéro de série: \_\_\_\_\_

Recopiez ici le numéro de modèle: \_\_\_\_\_

Cette notice d'utilisation est une pièce importante de votre nouveau tracteur de jardin. Elle vous fournit les renseignements nécessaires à l'assemblage, à la préparation et à l'entretien de votre machine. Veillez donc la lire attentivement et vous assurer de bien comprendre toutes les instructions.

**Avant d'utiliser la tracteur de jardin pour la première fois**, veuillez localiser sa plaque signalétique et recopier les renseignements qui s'y trouvent dans la notice d'utilisation. Un modèle de plaque signalétique est reproduit ci-dessous. La plaque signalétique se trouve sous le siège. Cette information sera nécessaire pour utiliser le site Web du fabricant et/ou pour obtenir l'aide d'une station technique agréée de Toro.



## POUR TROUVER LE NUMÉRO DE MODÈLE

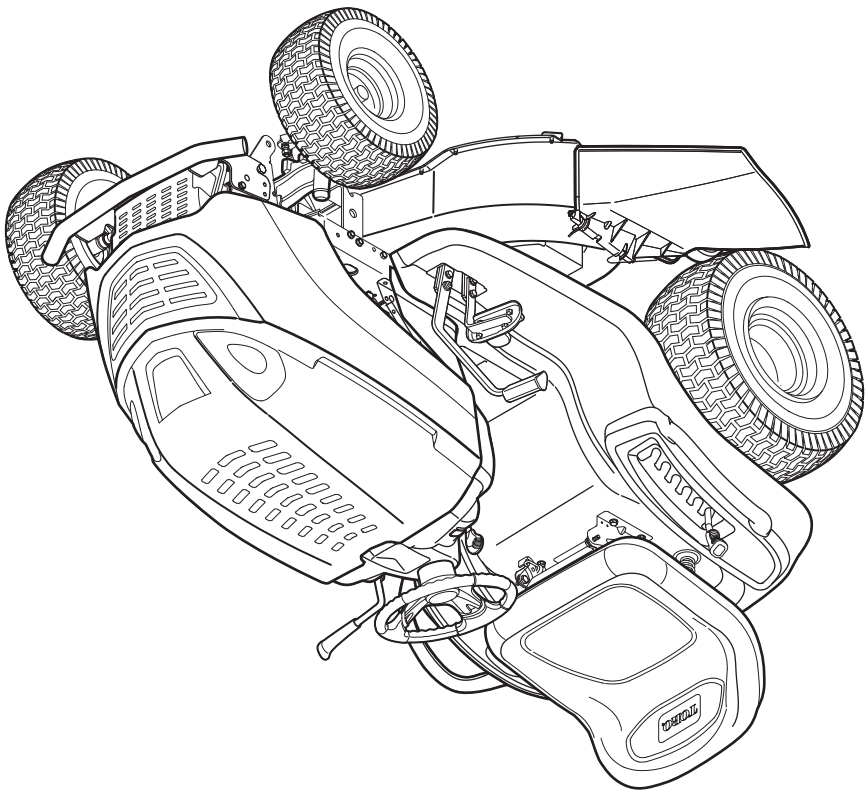
Chapitre	Important consignes de sécurité	Page
Inclinomètre		3
Étiquettes d'instructions et de sécurité		8
Assemblage du tracteur		11
Commandes		13
Utilisation du tracteur de pelouse		16
Réglages		20
Chapitre	Chapitre	Page
Entretien		3
Service		8
Rémisage hors saison		9
Tableau d'entretien		11
Guide de dépannage		13
Caractéristiques techniques		16
Garantie		20
Page		31

## TABLE DES MATIÈRES

Comptez dessus.



# Notice d'utilisation



Modèle No. 13AX61RH544

## LX465 Tracteur de jardin

Form No. 3357-950 Rev. B

769-03027 (1/11/07)

Enregistrez votre produit ici [www.Toro.com](http://www.Toro.com)