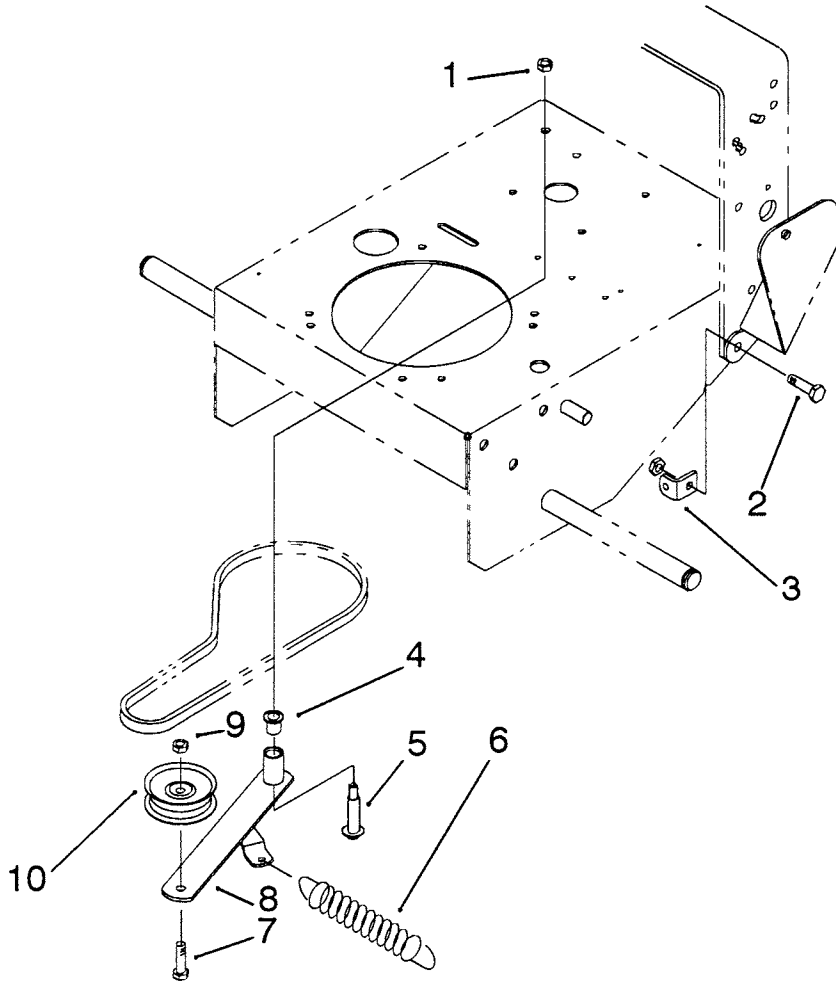




PART NO. 85-7360	PARTS CATALOG
SPRING LOADED IDLER KIT	



C-1119

IDLER ASSEMBLY

Ref. No.	Part No.	Description	No. Used
1	3296-6	Nut - Lock	1
2	323-7	Screw - Hex Hd. Cap	1
3	82-4790	Anchor - Spring	1
4	256-155	Bushing	2
5	27-6230	Bolt - Wheel	1

Ref. No.	Part No.	Description	No. Used
6	68-2190	Spring - Extension	1
7	323-8	Screw - Hex Hd. Cap	1
8	82-4800	Lever - Idler	1
9	3296-39	Nut - Lock	1
10	62-4540	Pulley - Idler	1