

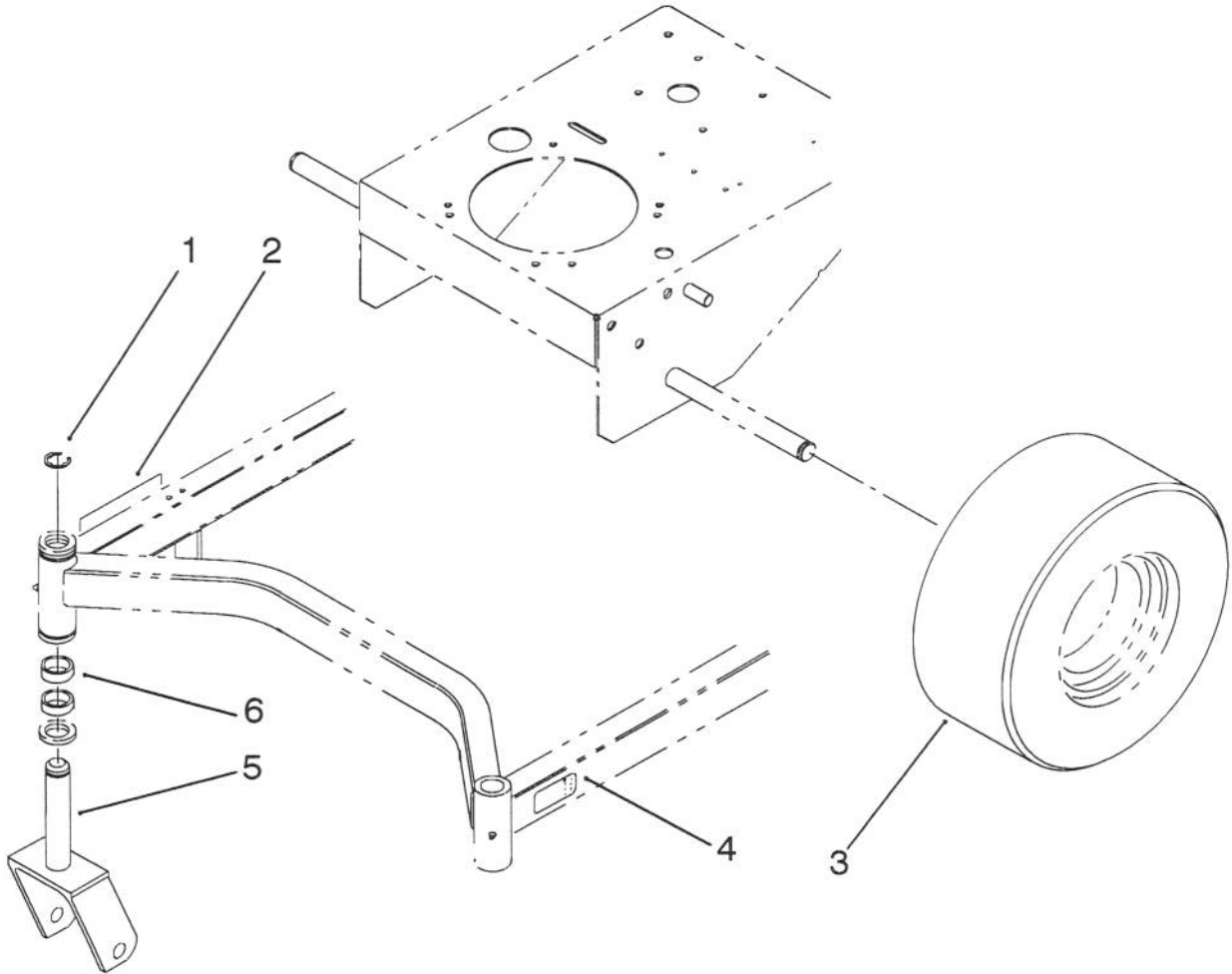
WAMS C.4.



PART NO. 84-5010

PARTS CATALOG

2"-5" HEIGHT OF CUT KIT



C-1118

### HEIGHT OF CUT ASSEMBLY

Ref. No.	Part No.	Description	No. Used
1	32151-91	Ring - Retaining	2
2	85-7460	Decal - H.O.C. R.H.	1
3	231-117	Tire	2

Ref. No.	Part No.	Description	No. Used
4	85-7450	Decal - H.O.C. L.H.	2
5	74-0251	Caster Fork - Front	2
6	63-0070	Spacer	4