



17-44ZX

TimeCutter™ ZX Riding Mower

Model No. 74401 - 230000001 and up.

Parts Catalog

Ordering Replacement Parts

To order replacement parts, please supply the part number, the quantity, and the description of each part desired.

Understanding Reference Numbers

Each identified part in an illustration has a reference number. The reference number for a part also appears in the parts list, along with other information about the part.

This catalog uses two special reference number formats, one to indicate parts in a service assembly and another to indicate the quantity of a given part in an illustration.

Service Assembly Reference Numbers

Parts in service assemblies have reference numbers in the form a:b. The a represents the reference number of the entire service assembly and the b represents a sequential number unique to each part within the service assembly.

For example, a wheel assembly might be identified by reference number 6, the tire by 6:1, the valve by 6:2, and the wheel by 6:3. When you order the assembly identified by reference number 6, you receive all parts identified by reference numbers 6:1, 6:2, and 6:3. However, you may also order any part individually. Reference numbers of this type appear in illustrations and in part lists.

Reference Numbers Indicating Quantity

In an illustration, if a reference number indicates more than one part, the reference number has the form nX y. The n represents the quantity of the part, the X is the multiplication symbol, and the y represents the reference number.

For example, in an illustration, the reference number 2X 37 means that two of the parts identified by reference number 37 are indicated.

Contents

Description	Page	Description	Page
Front Frame Assembly	3	Piston/Crankshaft Assembly Kawasaki FH500V-BS36	21
Height-of-Cut Assembly	4	Valve and Camshaft Assembly Kawasaki FH500V-BS36	22
Main Frame Assembly	5	Lubrication Equipment Assembly Kawasaki FH500V-BS36	23
Fuel Tank Assembly	6	Cooling Equipment Assembly Kawasaki FH500V-BS36	24
Parking Brake Assembly	7	Electric Equipment Assembly Kawasaki FH500V-BS36	25
Motion Control Assembly	8	Control Equipment Assembly Kawasaki FH500V-BS36	26
Hydro and Belt Drive Assembly	9	Carburetor Assembly Kawasaki FH500V-BS36	27
Engine and Clutch Assembly	10	Air Filter and Muffler Assembly Kawasaki FH500V-BS36	28
Electrical Assembly	11	Fuel Tank/Fuel Valve Assembly Kawasaki FH500V-BS36	29
44in Deck Assembly	12	Starter Assembly Kawasaki FH500V-BS36	30
44in Deck Belt Drive and Lift Assembly	14		
RH Hydro Transaxle Assembly No. 107-1708	15		
LH Hydro Transaxle Assembly No. 107-1709	17		
Engine Decals Kawasaki FH500V-BS36	19		
Cylinder and Crankcase Assembly Kawasaki FH500V-BS36	20		

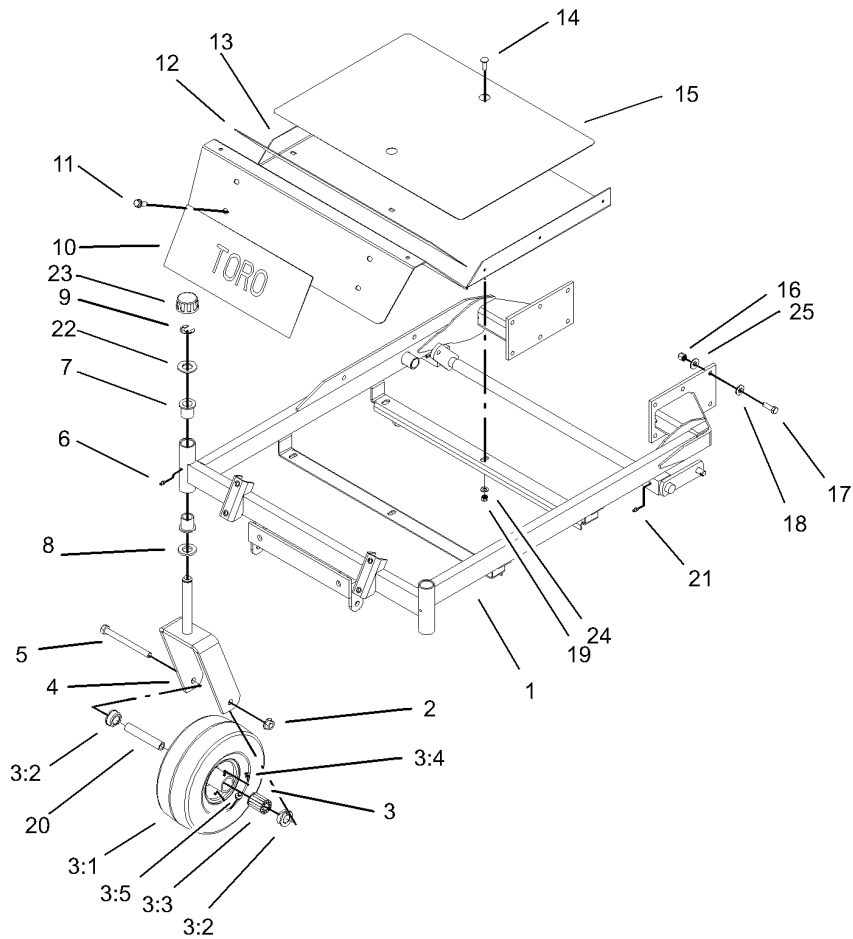
Part Description Abbreviations

Part descriptions in this catalog may include the following abbreviations.

AR. as required	HYD. hydraulic
ASM. assembly	LH. left hand
BBC. blade brake clutch	NI. nylon insert
CARR. carriage	NPTF. national pipe thread fine
DEG. degrees	PFH. phillips flat head
EXT. external	PPH. phillips pan head
FH. flat head	PPHTF. phillips pan head thread forming
GA. gauge	PRH. phillips round head
HD. heavy-duty	PTH. phillips truss head
HF. hex flange	PTO. power-take-off
HH. hex head	RH. right hand
HHF. hex head flange	ROPS. roll-over protection system
HHFTF. hex head flange thread forming	SFH. slotted fillister head
HJ. hex jam	SHH. slotted hex head
HLH. hex lag head	SHWH. slotted hex washer head
HOC. height-of-cut	SPH. slotted pan head
HSBH. hex socket button head	SQH. square head
HSFH. hex socket flat head	SRH. slotted round head
HSH. hex socket head	STD. standard
HWH. hex washer head	TAP. self tapping
HWHTF. hex washer head thread forming	TTH. torx truss head

Footnotes

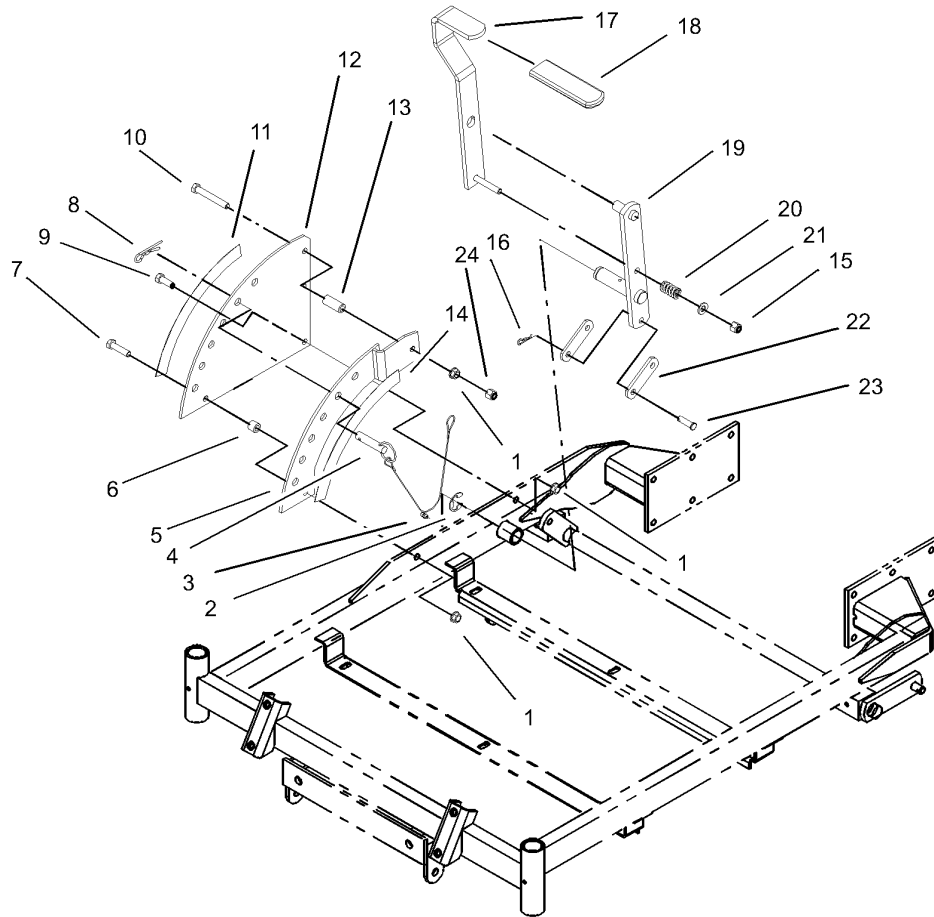
- ❶ Not illustrated
- ❷ Not serviced separately
- ❸ Obtain from your local Kawasaki dealer



Front Frame Assembly

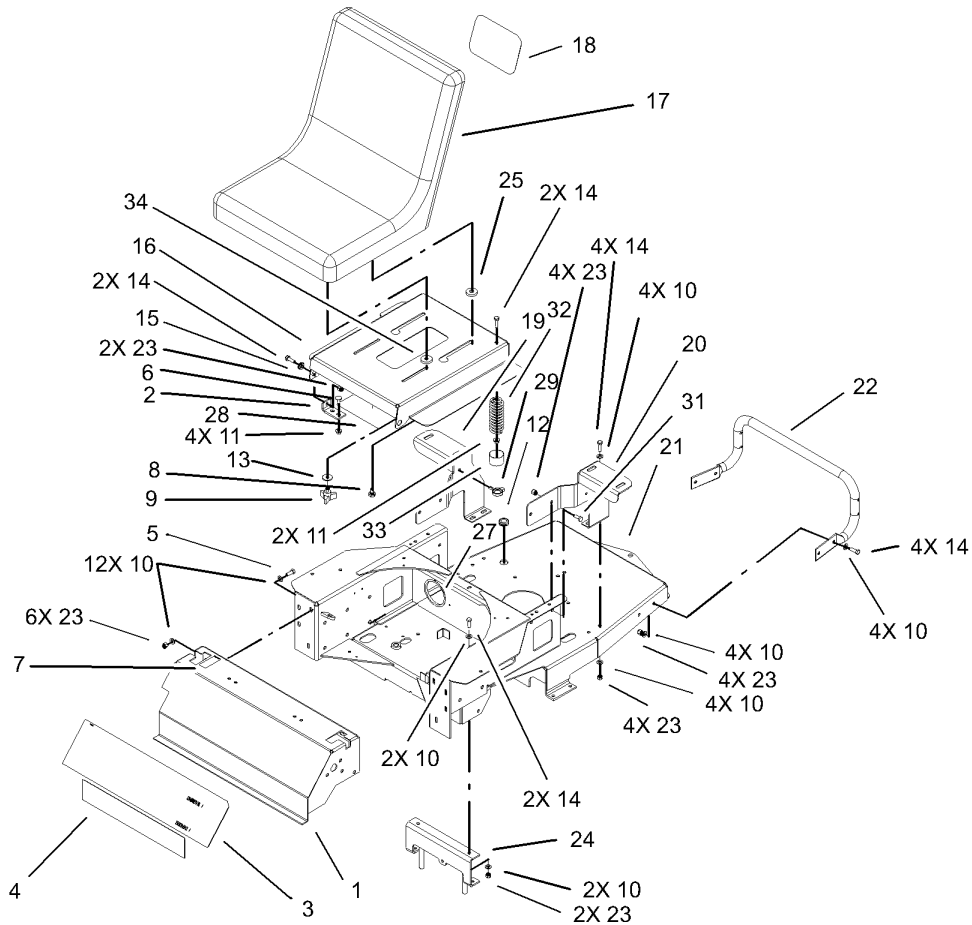
Ref	Part No.	Qty.	Description
1	100-7357-01	1	Carrier Frame ASM
2	32128-23	2	Nut-HF
3	100-7364	2	Caster Wheel ASM
3:1	105-1943	1	Tire
3:2	62-5580	2	Bearing-Outside
3:3	83-4740	1	Bearing
3:4	302-11	1	Fitting-Lube, 45 DEG
3:5	232-27	1	Stem-Valve
①	93-4244	1	Tube-Inner (W/Valve)
4	100-7363-01	2	Caster Fork ASM
5	325-22	2	Screw-HH
6	302-5	2	Fitting-Grease
7	1-303514	4	Bearing-Flanged
8	1-513338	2	Washer-Flat
9	32151-103	2	Ring-Snap
10	67-7320	1	Decal
11	66-9300	4	Screw-HF
12	104-3639	1	Pad-Skid, Anti
13	100-7386-03	1	Floorpan
14	3230-28	6	Screw-CARR
15	104-3640	1	Pad-Skid, Anti
16	3296-39	12	Nut-Lock, NI
17	323-7	12	Screw-HH
18	98-5975	12	Washer-Belleville

Ref	Part No.	Qty.	Description
19	3296-29	6	Nut-Lock, NI
20	104-3667	2	Spanner-Wheel
21	302-19	2	Fitting-Grease
22	104-8076	2	Washer
23	61-9780	2	Cap-Hub
24	3256-23	6	Washer-Flat
25	1-809107	12	Washer-Hardened



Height-of-Cut Assembly

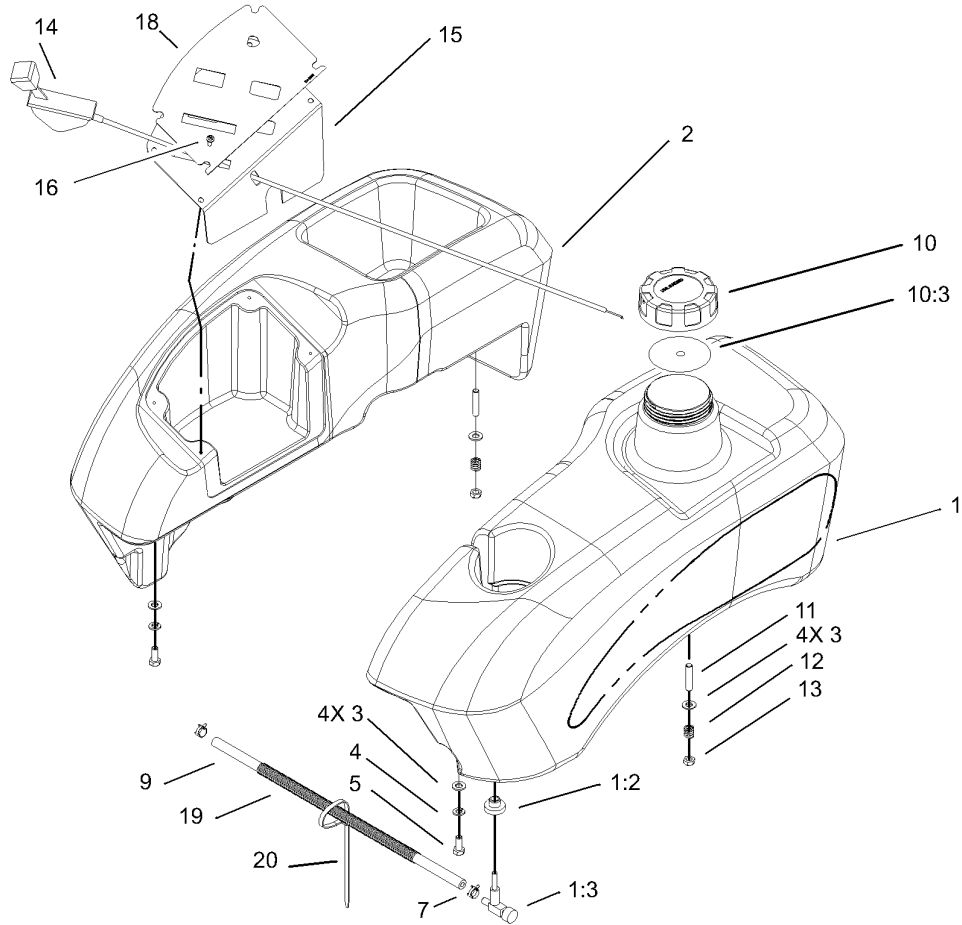
Ref	Part No.	Qty.	Description
1	3290-357	3	Nut-HHF, Whiz
2	32151-103	1	Ring-Snap
3	302-5	1	Fitting-Grease
4	104-3678	1	Pin-Hitch
5	100-7335-01	1	Plate-Lift
6	1-413088	1	Bushing-Lever, Lift
7	323-8	1	Screw-HH
8	1-806005	1	Pin-Hair
9	323-6	1	Screw-HH
10	323-13	1	Screw-HH
11	104-8063	1	Decal-Height, Deck
12	100-7384-01	1	Plate-Deck Lift
13	1-633082	1	Bushing-Lever, Lift
14	104-8062	1	Decal-Height, Deck
15	3296-39	1	Nut-Lock, NI
16	1-806003	2	Pin-Hair
17	1-652023-03	1	Lever-Lift
18	1-633295	1	Grip-Lever, Lift
19	1-652027-03	1	Arm-Deck, Lift
20	1-633325	1	Spring-Compression
21	3256-24	1	Washer-Flat
22	1-633068	2	Arm-Lift, Deck
23	283-2	2	Pin-Clevis
24	32128-21	1	Nut-HF



Main Frame Assembly

Ref	Part No.	Qty.	Description
1	104-8040-03	1	Console
2	104-8057-03	2	Bracket-Pivot
3	104-8064	1	Decal-Console International
4	106-2205	1	Decal
5	322-4	6	Screw-HH
6	104-8049	4	Screw-CARR
7	99-8936	2	Decal-Control, Motion
8	92-6986	2	Bolt-Shoulder
9	106-2240	2	Knob
10	3256-23	32	Washer-Flat
11	32128-25	6	Nut-HF
12	237-124	1	Grommet
13	5-4460	2	Washer-Pivot
14	322-5	14	Screw-HH
15	105503	2	Bushing
16	104-8058-03	1	Pan-Seat
17	105-6962	1	Seat
18	93-7340	1	Decal
19	100-7376-01	1	Bracket-RH
20	100-7368-01	1	Bracket-LH
21	105-7018-01	1	Frame-Rear
22	100-7332-03	1	Rod-Support, Rear
23	3296-29	22	Nut-Lock, NI
24	105-6987-03	1	Bracket

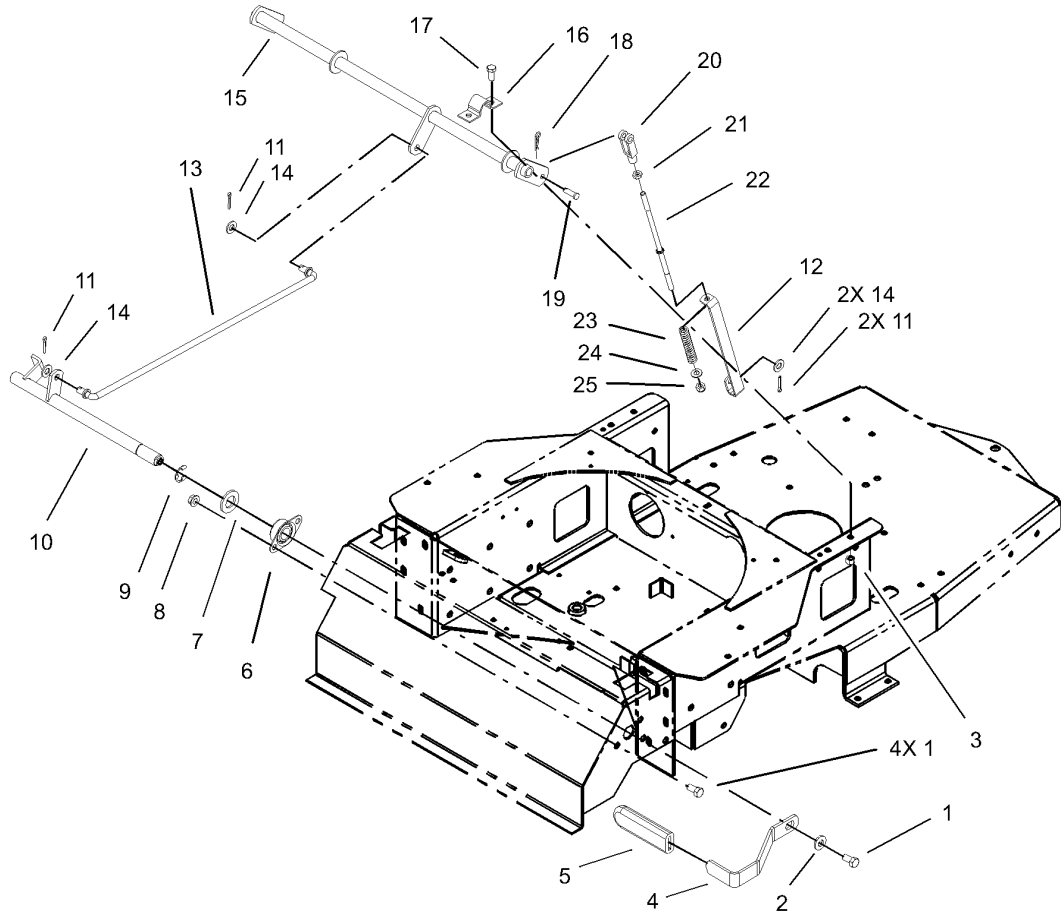
Ref	Part No.	Qty.	Description
25	92-6750	2	Spacer-Nylon
27	105-1854	1	Cover-Conduit
28	104-8086	1	Decal-Services International
29	105-1853	2	Clamp-Hose
31	322-3	4	Screw-HH
32	92-7054	2	Spring-Compression
33	701178	2	Cap-Protector
34	109989	2	Spacer-Nylon



Fuel Tank Assembly

Ref	Part No.	Qty.	Description
1	105-3494	1	Fuel Tank ASM
1:2	46-6560	1	Bushing
1:3	104048	1	Valve-Fuel
2	105-1918	1	Tank-Console
3	3256-23	8	Washer-Flat
4	3253-4	4	Washer-Lock
5	322-3	4	Screw-HH
7	2412-98	2	Clamp
9	104-8060	1	Hose-Fuel
10	88-3980	1	Gas Cap ASM
10:3	88-4010	1	Gasket-Cap, Gas
11	1-633023	4	Stud
12	1-633349	4	Spring-Tank, Fuel
13	3296-47	4	Nut-Lock, NI
14	104-8081	1	Cable-Throttle
15	104-3664-03	1	Panel-Control
16	3250-14	4	Screw-PPH
18	104-8009	1	Decal-Panel, Control
19	105-1854	1	Cover-Conduit
20	614249	1	Strap-Tie

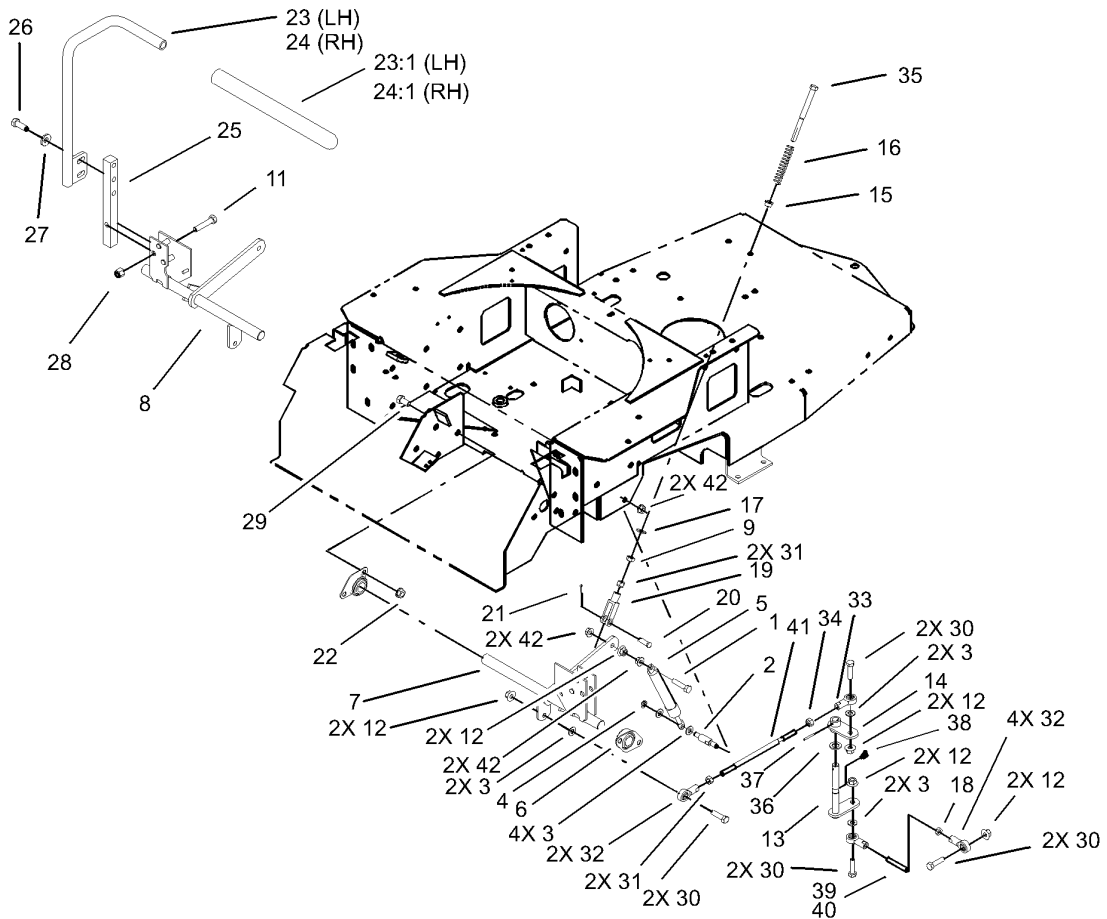
--	--	--	--



Parking Brake Assembly

Ref	Part No.	Qty.	Description
1	323-4	5	Screw-HH
2	98-5975	1	Washer-Belleville
3	3296-29	4	Nut-Lock, NI
4	100-7346-03	1	Handle-Brake, Park
5	1-633268	1	Grip-Lever, Brake
6	1-633102	2	Bearing-Flange, Side
7	1-303007	1	Washer
8	3290-357	4	Nut-HHF, Whiz
9	32151-48	1	E-Ring
10	100-7318	1	Brake Shaft ASM
11	3272-10	4	Pin-Cotter
12	104-3675	2	Bracket-Spring, Brake
13	104-8046	1	Rod-Brake, Upper
14	3256-24	4	Washer-Flat
15	104-3670-03	1	Shaft-Brake
16	88-4730	2	Clamp-Pivot, HOC
17	322-3	4	Screw-HH
18	1-806003	2	Pin-Hair
19	1-808280	2	Pin-Clevis
20	1-303105	2	Yoke-Adjustable
21	3219-2	2	Nut-Hex
22	104-3674	2	Rod-Brake, Upper
23	38-4520	2	Spring
24	3256-23	2	Washer-Flat

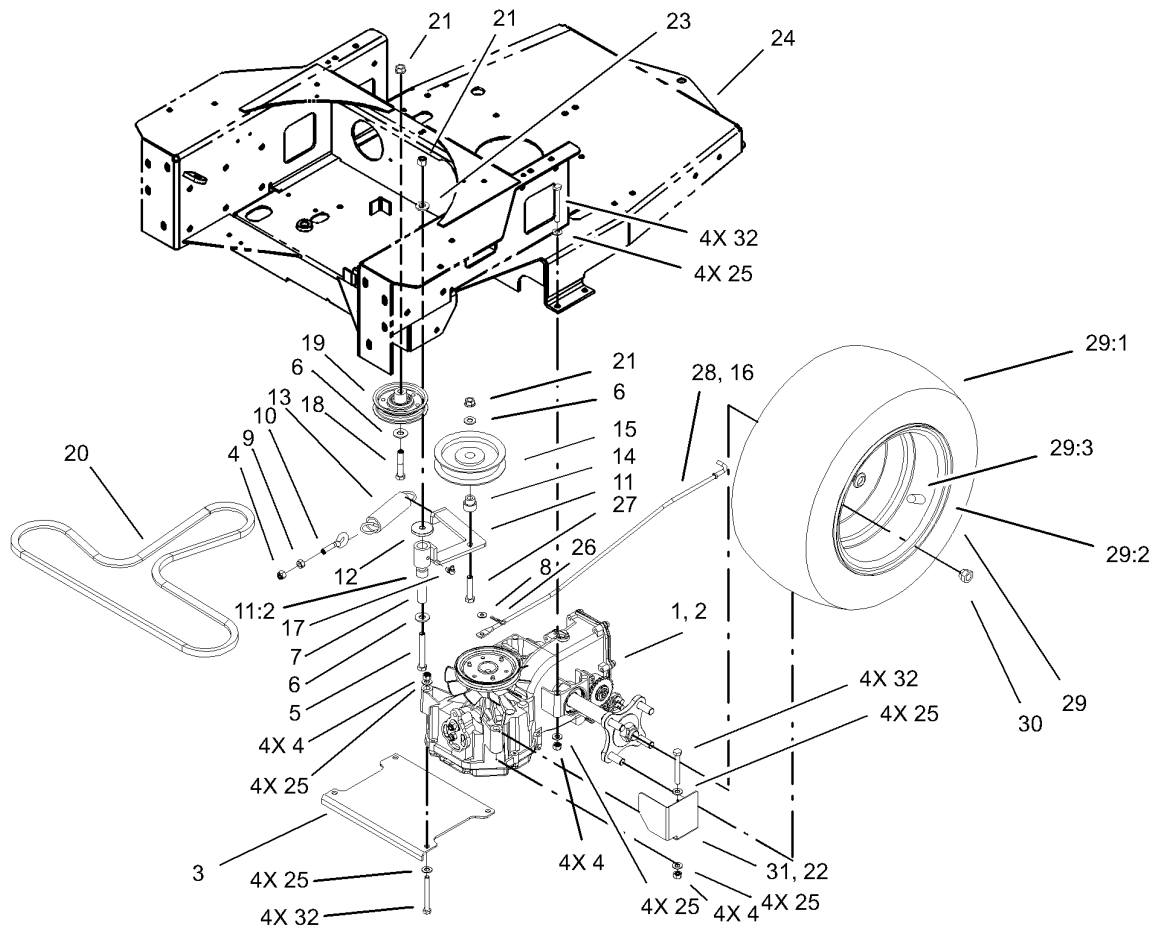
Ref	Part No.	Qty.	Description
25	3296-4	2	Nut-Lock



Motion Control Assembly

Ref	Part No.	Qty.	Description
1	1-403180	2	Screw-HH
2	1-653316	2	Pin-Damper
3	3256-23	10	Washer-Flat
4	32120-35	2	Ring-Retaining, EXT
5	103-2913	2	Damper-Control, Motion
6	1-633102	4	Bearing-Flange, Side
7	100-7341	1	Bracket-Motion Control, LH
8	100-7340	1	Bracket-Motion Control, RH
9	3296-4	2	Nut-Lock
11	323-9	2	Screw-HH
12	32128-20	10	Nut-HF
13	100-7311	2	Pivot ASM
14	100-7313	2	Pivot Plate ASM
15	1-603735	2	Bushing-Flanged
16	1-603807	2	Spring-Return, Neutral
17	3256-2	2	Washer-Flat
18	3220-2	2	Nut-Jam
19	1-303105	2	Yoke-Adjustable
20	1-808280	2	Pin-Clevis
21	3272-5	2	Pin-Cotter
22	3290-357	6	Nut-HHF, Whiz
23	103-0631	1	LH Lever ASM
23:1	1-633257	1	Grip-Control, Motion
24	103-0632	1	RH Lever ASM

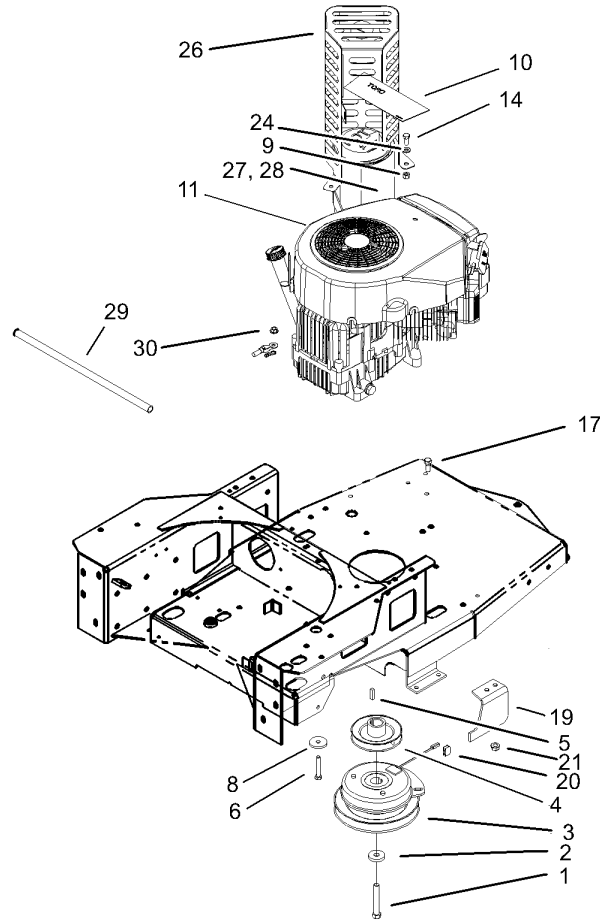
Ref	Part No.	Qty.	Description
24:1	1-633257	1	Grip-Control, Motion
25	103-0407	2	Arm-Shaft, Control
26	323-6	4	Screw-HH
27	98-5975	4	Washer-Belleville
28	3296-39	2	Nut-Lock, NI
29	323-4	6	Screw-HH
30	322-5	8	Screw-HH
31	3219-2	4	Nut-Hex
32	1-543017	6	Balljoint-RH
33	1-633152	2	Balljoint-LH
34	1-804524	2	Nut
35	1-603737	2	Bolt-Return, Neutral
36	100-7336	2	Washer
37	933156	2	Pin-Roll
38	302-11	2	Fitting-Lube, 45 DEG
39	104-3606	1	Linkage-Lower, RH
40	104-3607	1	Linkage-Lower, LH
41	104-3605	2	Linkage-Upper
42	32128-25	6	Nut-HF



Hydro and Belt Drive Assembly

Ref	Part No.	Qty.	Description
1	107-1709	1	Hydro-LH
2	107-1708	1	Hydro-RH
3	100-7317-03	1	Plate-Hydro, Lower
4	3296-29	13	Nut-Lock, NI
5	323-13	1	Screw-HH
6	3256-4	3	Washer-Flat
7	1-603044	1	Bushing
8	3256-1	2	Washer-Flat
9	32128-20	1	Nut-HF
10	55-9420	1	Bolt-Eye
11	104-3614	1	Idler Arm ASM
11:2	1-513034	2	Sleeve-Bearing
12	104-8005	1	Spacer
13	1-603414	1	Spring-Extension
14	1-603496	1	Bushing-Idler
15	1-603843	1	Pulley-Idler
16	104-3668	1	Rod-RH
17	302-40	1	Fitting-Grease
18	323-10	1	Screw-HH
19	104-3630	1	Pulley-Idler
20	104-3622	1	Belt-V
21	32128-21	3	Nut-HF
22	104-8033-03	1	Guard-Fan, LH
23	98-5975	1	Washer-Belleville

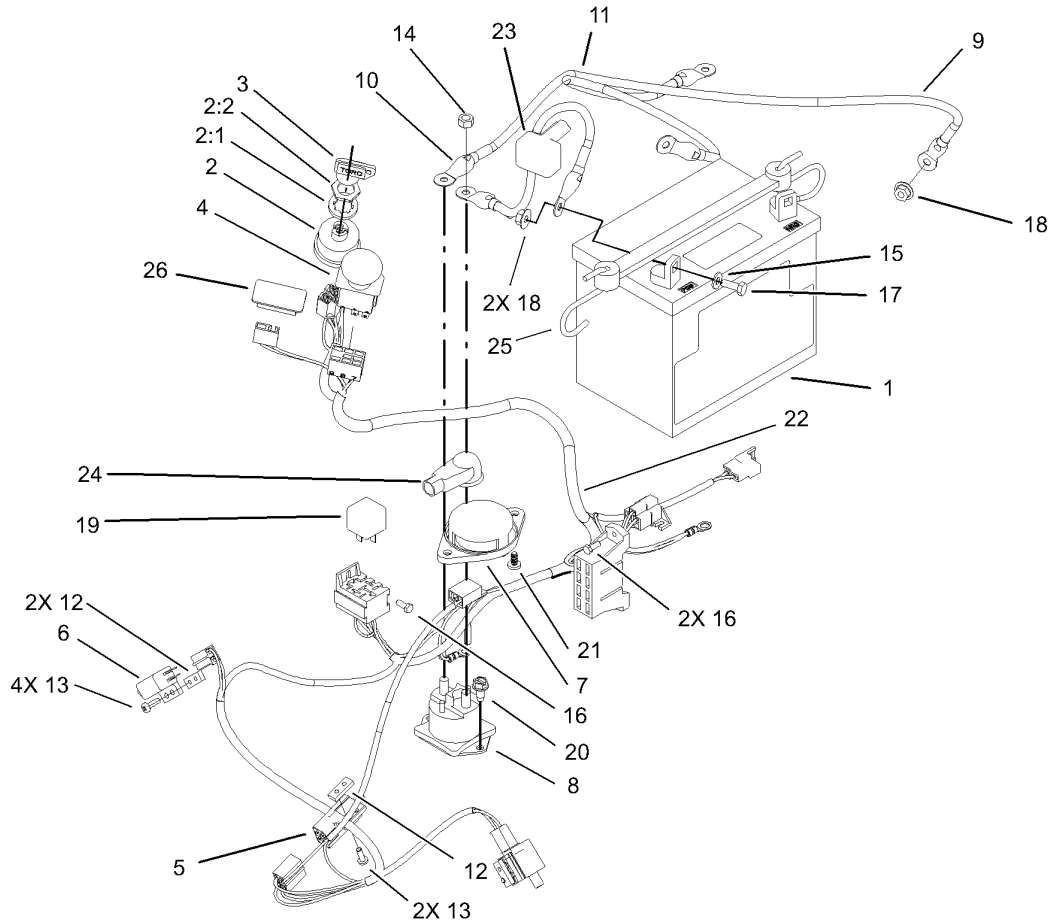
Ref	Part No.	Qty.	Description
24	104-8061	1	Decal
25	3256-23	24	Washer-Flat
26	1-806003	2	Pin-Hair
27	323-9	1	Screw-HH
28	104-3669	1	Rod-LH
29		2	Wheel And Tire ASM
29:1	105-1944	1	Tire
29:2	105-1946	1	Wheel
29:3	232-27	1	Stem-Valve
30	242-50	8	Nut-Lug
31	104-8013-03	1	Guard-Fan, RH
32	322-13	12	Screw-HH



Engine and Clutch Assembly

Ref	Part No.	Qty.	Description
1	3212-12	1	Screw-HH
2	112843	1	Washer
3	104-3624	1	Clutch
4	100-7314	1	Pump Drive Pulley ASM
5	5-7280	1	Key
6	322-7	4	Screw-HH
8	62-7190	4	Spacer-Steel
9	3296-29	2	Nut-Lock, NI
10	106-2183	1	Decal-Engine
11		1	Engine-17Hp Kawasaki Model No. FH500V-Bs36
14	322-3	2	Screw-HH
17	323-4	2	Screw-HH
19	104-3613-03	1	Stop-Clutch
20	98-5023	1	Bumper
21	32128-21	2	Nut-HF
24	3256-23	2	Washer-Flat
26	105-7013-03	1	Guard-Muffler
27	100-6467	1	Muffler
28	100-6468	1	Clamp-Muffler
29	106-7022	1	Tube-Drain, Oil
30	32128-25	4	Nut-HF

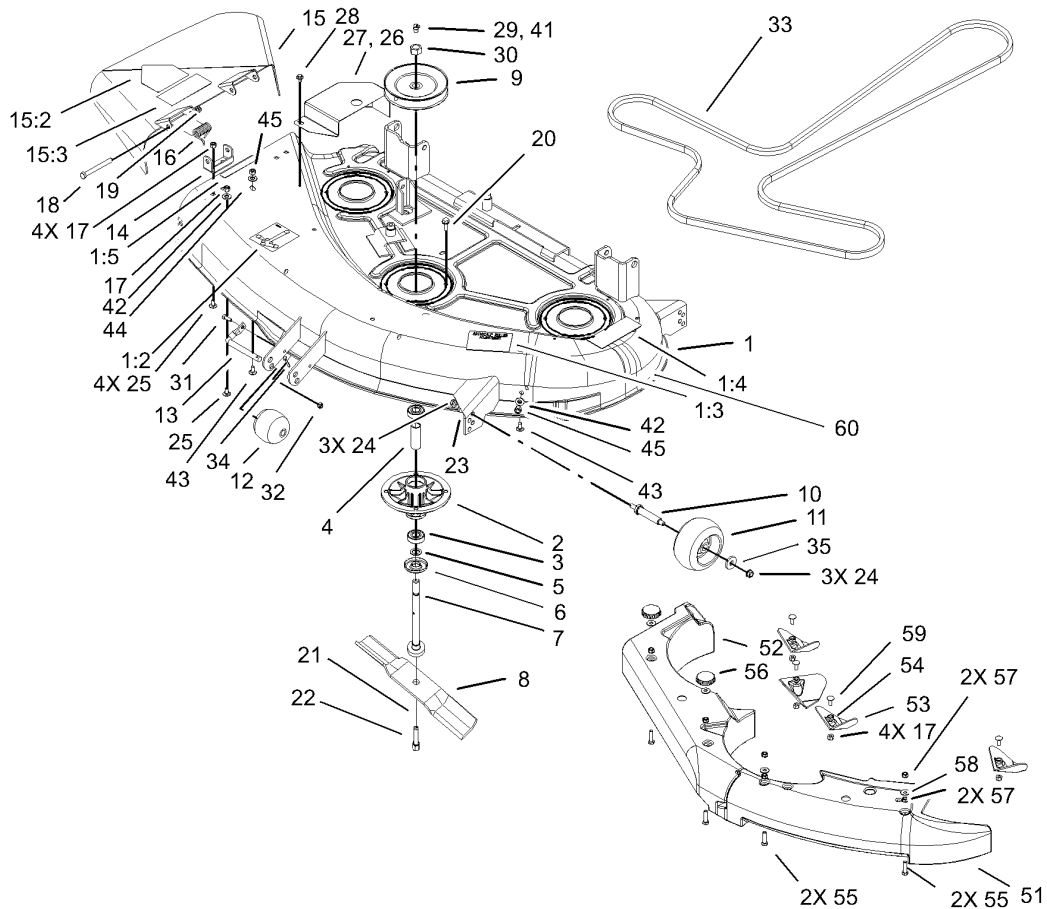
--	--	--	--



Electrical Assembly

Ref	Part No.	Qty.	Description
1	104-2491	1	Battery-Dry
2	88-9830	1	Key Switch ASM
2:1	3254-5	1	Washer-Tooth
2:2	218-461	1	Nut-HH
3	63-8360	1	Key-Ignition
4	95-7489	1	Switch-PTO
5	86-4690	1	Switch-Interlock
6	65-7410	2	Switch-Pole, Single
7	105-6959	1	Switch-Seat
8	28-4210	1	Solenoid
9	28-3891	1	Wire-Solenoid/Starter
10	93-1189	1	Wire ASM
11	93-0324	1	Cable
12	1-633181	3	Plate-Tapped
13	32144-8	6	Screw-PPHTF
14	32149-1	2	Nut-Keps
15	3256-22	2	Washer-Flat
16	32144-1	3	Screw-Taptite
17	321-4	2	Screw-HH
18	32128-33	3	Nut-HF
19	98-7249	1	Relay
20	46-8560	2	Screw-HHF
21	105-6968	2	Screw-Seat, Switch
22	105-1934	1	Harness-Wire Kawasaki V-Twin

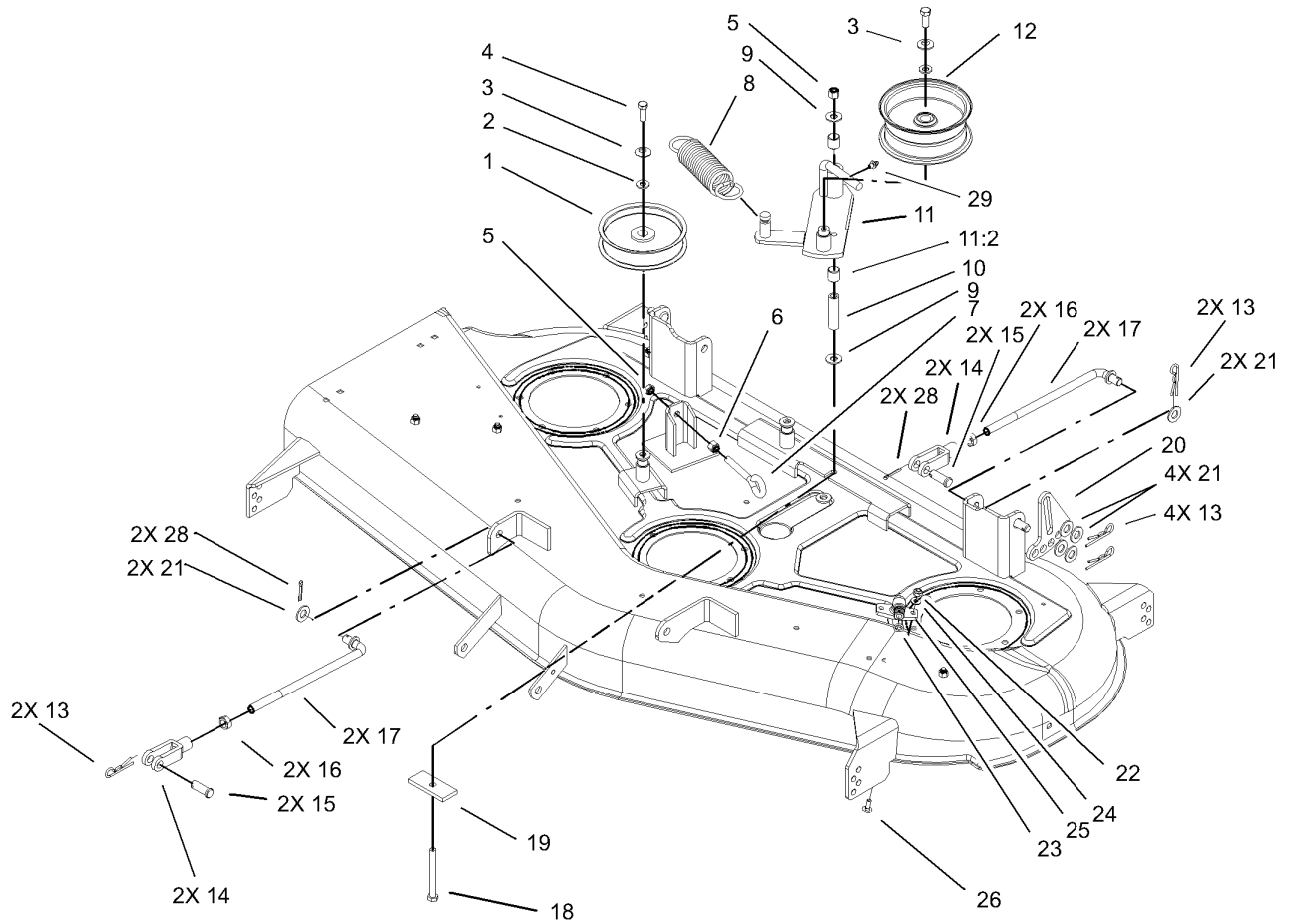
Ref	Part No.	Qty.	Description
●22:1	109102	1	Fuse-25 Amp
●22:2	109103	1	Fuse-30 Amp
23	28-8080	1	Boot-Terminal
24	93-3190	1	Boot-Insulator, Terminal
25	104-2466	1	Holddown-Battery
26	99-7420	1	Plug-Hole



44in Deck Assembly

Ref	Part No.	Qty.	Description
1	105-6967	1	44 Inch Deck ASM
1:2	99-3943	1	Decal-Routing, Belt
1:3	99-8939	1	Decal-Anti Scalp
1:4	93-7317	1	Decal-Danger
1:5	93-7009	1	Decal-Danger
2	88-4510	3	Housing-Spindle
3	109966	6	Bearing-Ball
4	94-7959	3	Spacer - Bearing
5	80-4380	3	Spacer
6	80-4360	3	Shield-Bearing
7	94-7547	3	Shaft-Center, Spindle
8	92-7952-03	3	Blade-Recycler
9	105-6973	3	Pulley ASM
10	99-2842	3	Spacer
11	68-2730	3	Wheel-Gage
12	29-4820	1	Roller
13	118960-03	1	Shaft-Roller
14	29-5590-03	2	Bracket-Pivot
15	98-5049	1	Deflector ASM
15:2	93-7317	1	Decal-Danger
15:3	93-7316	1	Decal-Danger
16	40-6230	2	Spring
17	3296-29	9	Nut-Lock, NI
18	3211-15	2	Screw-HH

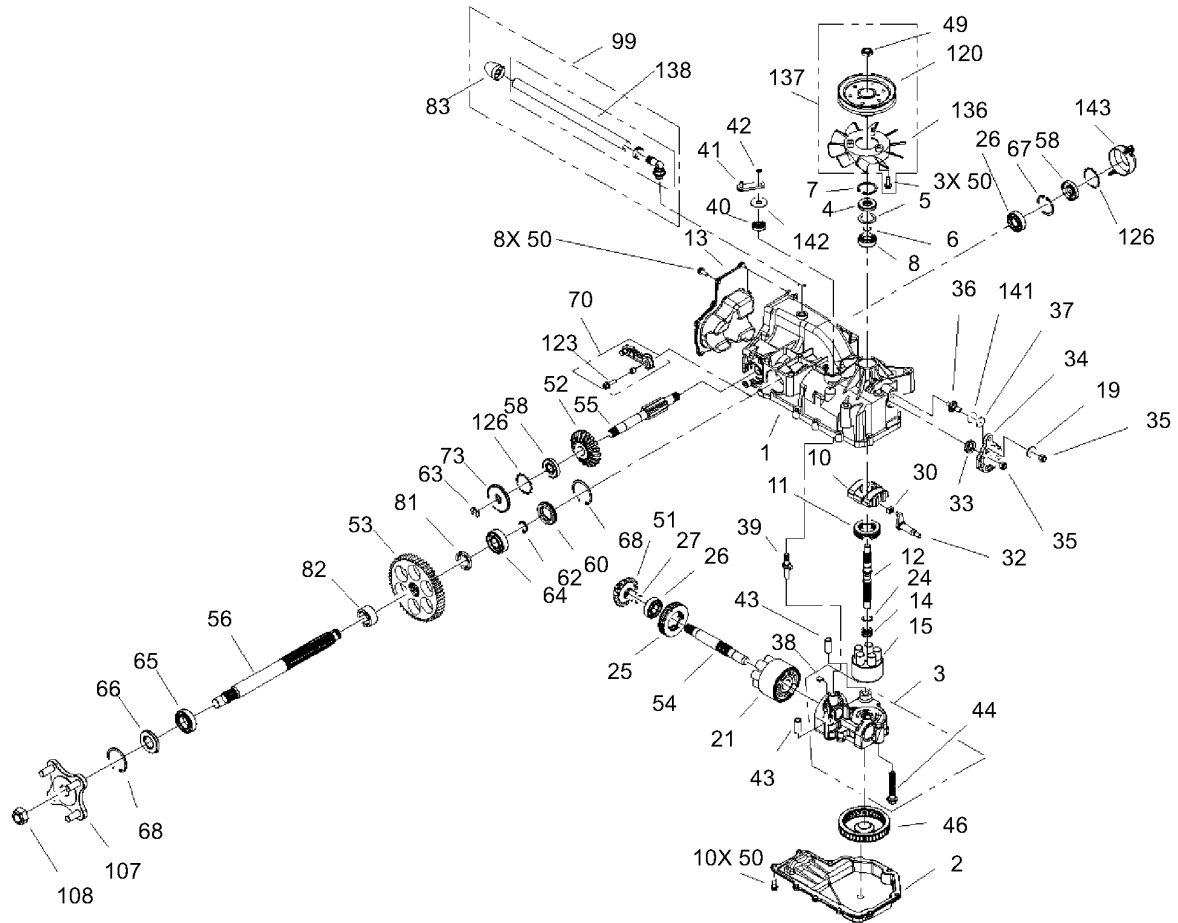
Ref	Part No.	Qty.	Description
19	3296-5	2	Nut-Lock
20	32144-41	12	Screw-Taptite
21	3290-465	3	Washer-Belleville
22	26-0671	3	Screw-Blade
23	98-5975	3	Washer-Belleville
24	3290-357	6	Nut-HHF, Whiz
25	3230-18	5	Screw-CARR
26	105-6975-01	1	Cover-Belt, LH
27	105-6974-01	1	Cover-Belt, RH
28	46-8560	4	Screw-HHF
29	302-5	2	Fitting-Grease
30	3219-6	3	Nut-Hex
31	321-4	1	Screw-HH
32	3296-42	1	Nut-Lock, NI
33	105-6977	1	Belt V
34	3272-21	1	Pin-Cotter
35	1-373034	3	Washer
41	302-60	1	Fitting-Grease, 90 DEG
42	3256-24	2	Washer-Flat
43	3231-21	2	Screw-CARR
44	3256-5	1	Washer-Flat
45	3296-39	3	Nut-Lock, NI
51	93-7652	1	Baffle-LH
52	93-7651	1	Baffle-RH



44in Deck Belt Drive and Lift Assembly

Ref	Part No.	Qty.	Description
1	1-613098	2	Pulley-Idler
2	3256-24	3	Washer-Flat
3	98-5975	3	Washer-Belleville
4	323-6	3	Screw-HH
5	3296-39	2	Nut-Lock, NI
6	3217-7	1	Nut-Hex
7	94-2547	1	Bolt-Eye
8	105-6992	1	Spring-Extension
9	1-809107	2	Washer-Hardened
10	1-603384	1	Bushing-Pivot, Idler
11	105-7010	1	Idler Arm ASM
11:2	1-513034	2	Sleeve-Bearing
12	99-8912	1	Pulley-Idler, Flat
13	1-806005	8	Pin-Hair
14	100-7338	4	Clevis
15	104-3634	4	Pin-Clevis
16	3220-5	4	Nut-Jam
17	104-8047	4	Rod-Trunion
18	1-800805	1	Screw-HH
19	104-8037-01	1	Plate-Bolt, Retainer
20	104-3699-01	2	Link-HOC, Adjusting
21	3256-26	12	Washer-Flat
22	3296-16	2	Nut-Lock, NI
23	46-6290	1	O-Ring

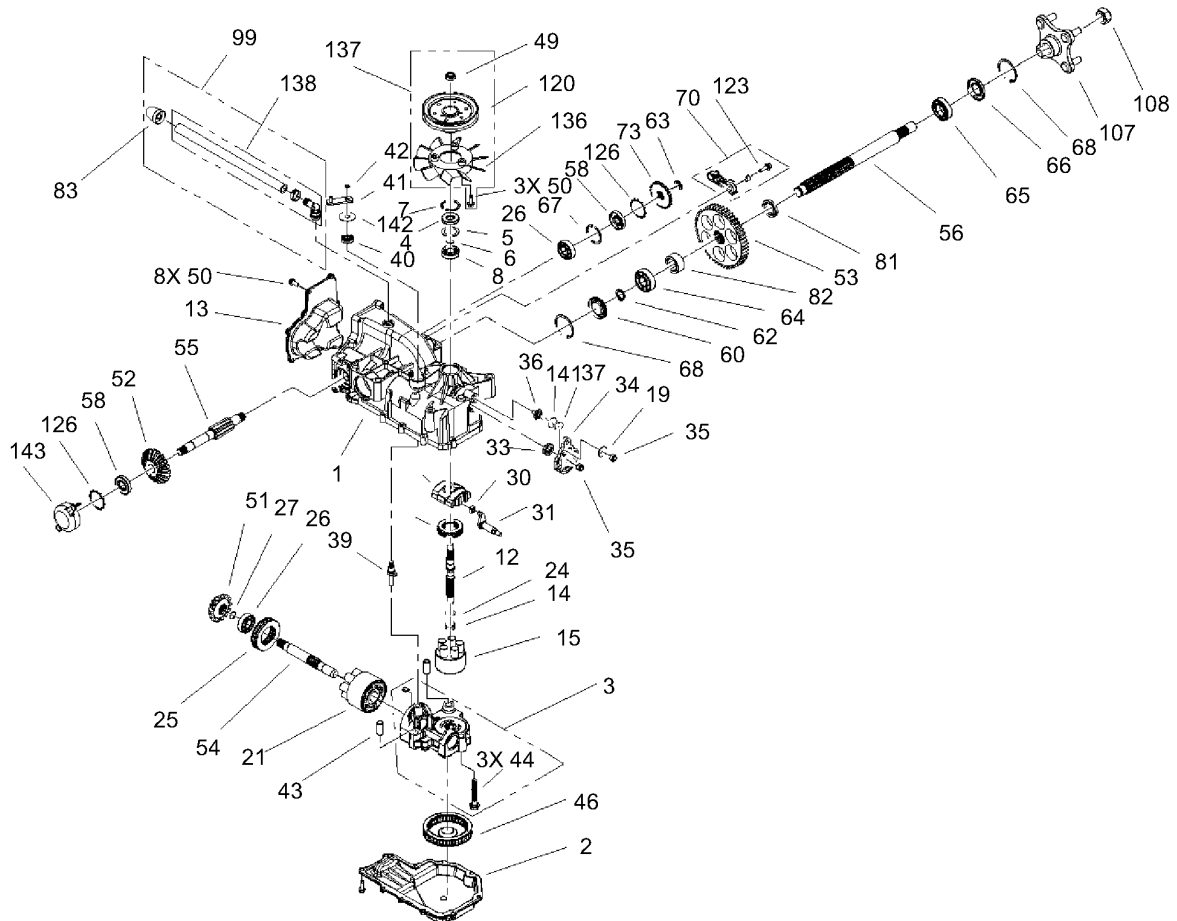
Ref	Part No.	Qty.	Description
24	3256-1	2	Washer-Flat
25	95-2747	1	Fitting-Washout
26	3229-1	2	Screw-CARR
28	3272-10	4	Pin-Cotter
29	302-19	1	Fitting-Grease



RH Hydro Transaxle Assembly No. 107-1708

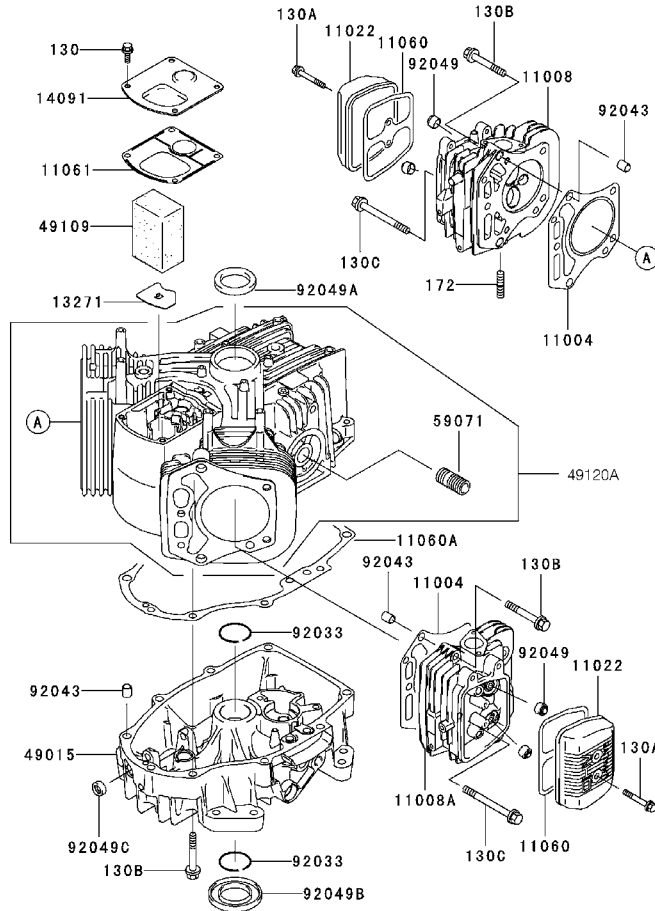
Ref	Part No.	Qty.	Description
1	107-1700	1	Main Housing Kit
2	105-1868	1	Housing-Lower
3	105-1869	1	Center Section Kit ASM
4	92-6543	1	Seal-Lip
5	104-2104	1	Spacer
6	94-1902	1	Ring-Wire, Retaining
7	94-1903	1	Ring-Retaining
8	94-1904	1	Bearing-Shaft, Ball
10	94-1907	1	Swashplate-Variable
11	94-6922	1	Bearing-Thrust
12	104-5067	1	Shaft-Input
13	105-1870	1	Cover-Back
14	94-1936	1	Spring-Block
15	104-2106	1	Cylinder Block ASM
19	5-4460	1	Washer-Pivot
21	94-1913	1	Cylinder Block ASM
24	94-1937	1	Washer-Block, Thrust
25	94-6923	1	Bearing-Thrust
26	104-5311	2	Bearing-Ball
27	104-5307	1	Ring-Retaining
30	94-1910	1	Guide-Slot
31	104-2112	1	Trunnion ASM
33	92-6544	1	Seal-Lip
34	105-1871	1	Arm-Control

Ref	Part No.	Qty.	Description
35	105-1872	2	Nut
36	104-2116	1	Stud
37	105-1873	1	Puck-Friction
38	94-6925	1	Plate-Bypass
39	94-1914	1	Actuator-Bypass
40	92-6545	1	Seal-Lip
41	104-2117	1	Arm-Bypass
42	936109	1	Ring-Retaining
43	94-1927	2	Pin
44	94-6926	3	Bolt
46	105-1874	1	Filter
49	105-1875	1	Nut-Lock
50	104-2120	21	Screw
51	105-1876	1	Gear-Bevel, 14T
52	105-1877	1	Gear-Bevel, 19T
53	105-1878	1	Gear-Bevel, 53T
54	105-1879	1	Shaft-Motor
55	105-1880	1	Shaft-Brake
56	105-1881	1	Shaft-Axle
58	104-5310	2	Seal-Lip
60	105-1882	1	Plug-Side Seal
62	105-1883	1	Ring-Axle, Retaining
63	105-1884	1	Ring-Retaining
64	105-1885	1	Bearing-Ball



LH Hydro Transaxle Assembly No. 107-1709

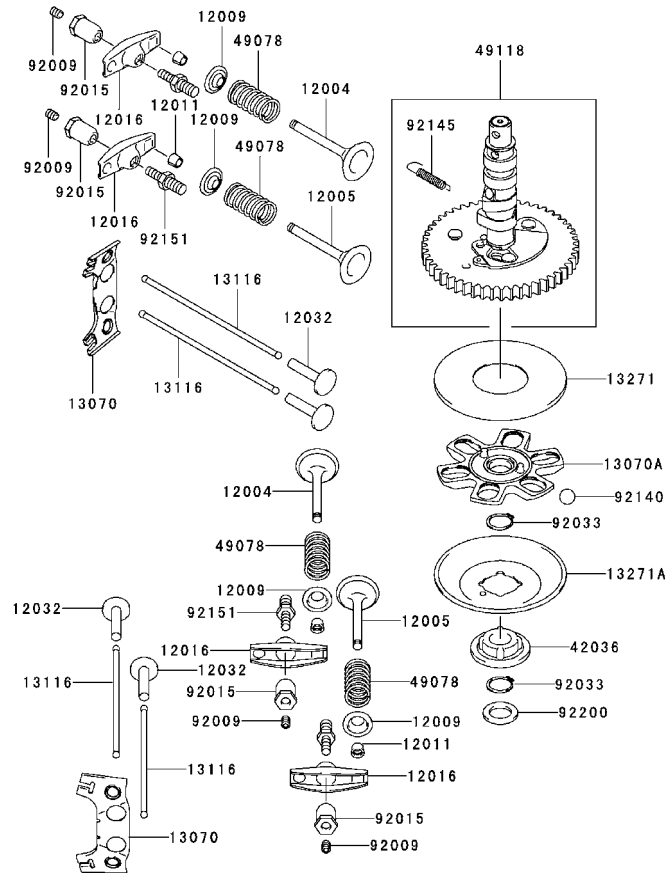
Ref	Part No.	Qty.	Description	Ref	Part No.	Qty.	Description
1	107-1700	1	Main Housing Kit	35	105-1872	2	Nut
2	105-1868	1	Housing-Lower	36	104-2116	1	Stud
3	105-1869	1	Center Section Kit ASM	37	105-1873	1	Puck-Friction
4	92-6543	1	Seal-Lip	38	94-6925	1	Plate-Bypass
5	104-2104	1	Spacer	39	94-1914	1	Actuator-Bypass
6	94-1902	1	Ring-Wire, Retaining	40	92-6545	1	Seal-Lip
7	94-1903	1	Ring-Retaining	41	104-2117	1	Arm-Bypass
8	94-1904	1	Bearing-Shaft, Ball	42	936109	1	Ring-Retaining
10	94-1907	1	Swashplate-Variable	43	94-1927	2	Pin
11	94-6922	1	Bearing-Thrust	44	94-6926	3	Bolt
12	104-5067	1	Shaft-Input	46	105-1874	1	Filter
13	105-1870	1	Cover-Back	49	105-1875	1	Nut-Lock
14	94-1936	1	Spring-Block	50	104-2120	21	Screw
15	104-2106	1	Cylinder Block ASM	51	105-1876	1	Gear-Bevel, 14T
19	5-4460	1	Washer-Pivot	52	105-1877	1	Gear-Bevel, 19T
21	94-1913	1	Cylinder Block ASM	53	105-1878	1	Gear-Bevel, 53T
24	94-1937	1	Washer-Block, Thrust	54	105-1879	1	Shaft-Motor
25	94-6923	1	Bearing-Thrust	55	105-1880	1	Shaft-Brake
26	104-5311	2	Bearing-Ball	56	105-1881	1	Shaft-Axle
27	104-5307	1	Ring-Retaining	58	104-5310	2	Seal-Lip
30	94-1910	1	Guide-Slot	60	105-1882	1	Plug-Side Seal
31	104-2112	1	Trunnion ASM	62	105-1883	1	Ring-Axle, Retaining
33	92-6544	1	Seal-Lip	63	105-1884	1	Ring-Retaining
34	105-1871	1	Arm-Control	64	105-1885	1	Bearing-Ball



Cylinder and Crankcase Assembly Kawasaki FH500V-BS36

Ref	Part No.	Qty.	Description
③11004	11004-7005	2	Gasket-Head
③11008	11008-6042	1	Head-Cylinder
③11008A	11008-7009	1	Head-Cylinder
③11022	11022-7003	2	Case-Rocker
③11060	11060-7001	2	Gasket-Case, Rocker
③11060A	11060-7008	1	Gasket-Cover, Crankcase
③11061	11061-7001	1	Gasket-Breather
③13271	13271-7016	1	Plate
③14091	14091-7006	1	Cover
③49015	49015-6226	1	Cover-Crankcase
③49109	49109-7002	1	Element-Breather
③49120A	49120-7021	1	Crankcase-Comp
③59071	59071-2079	1	Joint
③92033	92033-7003	2	Ring-Snap
③92043	92043-7001	6	Pin
③92049	92049-7001	4	Seal-Oil, R V C2 (6X11X10.2)
③92049A	92049-7002	1	Seal-Oil
③92049B	92049-7004	1	Seal-Oil
③92049C	92049-7005	1	Seal-Oil, S O (8X14X5 H S)
③130	130B0612	4	Bolt-Flanged (6X12)
③130A	130B0640	4	Bolt-Flanged (6X40)
③130B	130T0850	17	Bolt-Flanged (8X50)
③130C	130T0875	2	Bolt-Flanged (8X75)
③172	172G0818	4	Bolt-Stud (8X18)

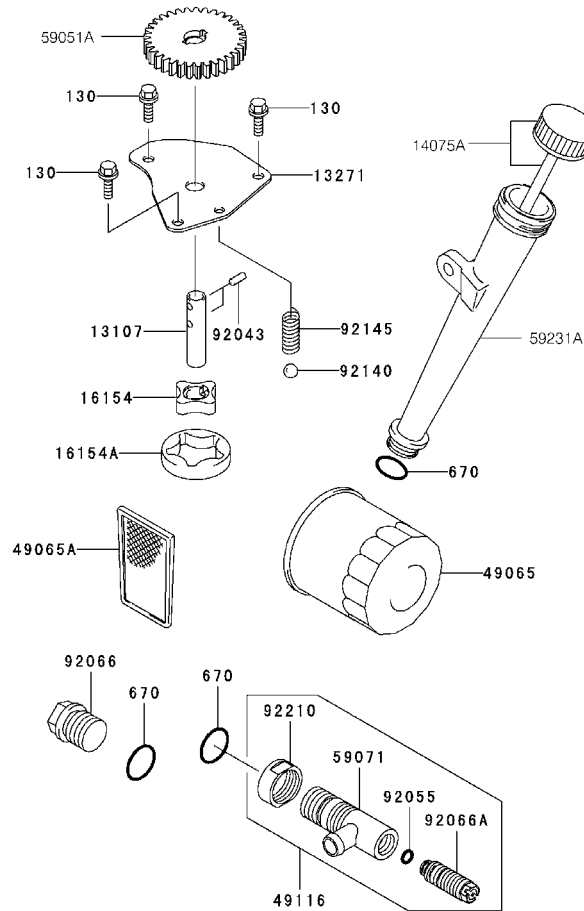
--	--	--	--



Valve and Camshaft Assembly Kawasaki FH500V-BS36

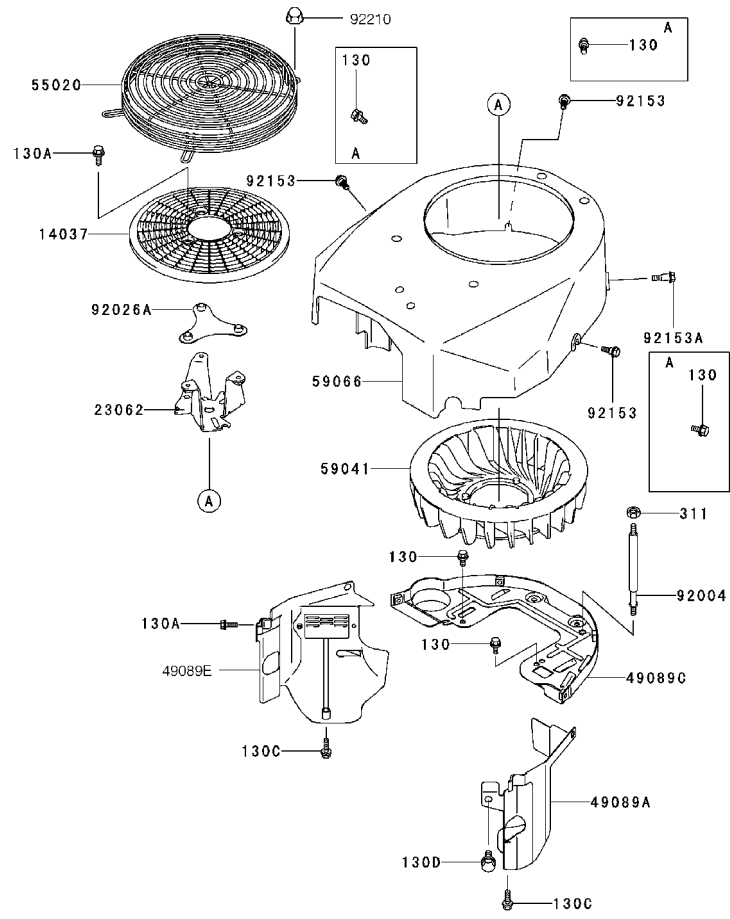
Ref	Part No.	Qty.	Description
③12004	12004-7003	2	Valve-Intake
③12005	12005-7003	2	Valve-Exhaust
③12009	12009-7001	4	Retainer-Spring, Valve
③12011	12011-2056	8	Collet
③12016	12016-7001	4	Arm-Rocker
③12032	12032-7001	4	Tappet
③13070	13070-7001	2	Guide
③13070A	13070-7004	1	Guide
③13116	13116-2057	4	Rod-Push
③13271	13271-7007	1	Plate
③13271A	13271-7021	1	Plate-Governor
③42036	42036-7001	1	Sleeve
③49078	49078-7001	4	Spring-Valve, Engine
③49118	49118-7002	1	Camshaft-Comp
③92009	92009-2341	4	Screw
③92015	92015-2253	4	Nut
③92033	92033-7001	2	Ring-Snap
③92140	92140-7002	6	Ball
③92145	92145-7001	1	Spring
③92151	92151-7019	4	Bolt
③92200	92200-7001	1	Washer

--	--	--	--



Lubrication Equipment Assembly Kawasaki FH500V-BS36

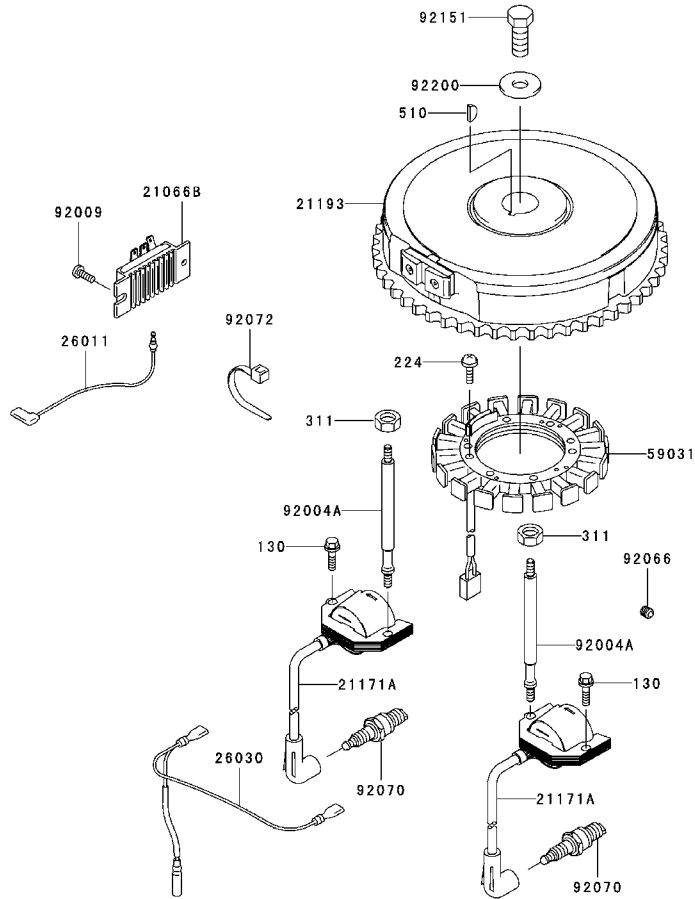
Ref	Part No.	Qty.	Description				
③13107	13107-7009	1	Shaft				
③13271	13271-7017	1	Plate				
③14075A	14075-7009	1	Cap ASM				
③16154	16154-2053	1	Rotor-Pump (In)				
③16154A	16154-2054	1	Rotor-Pump (Out)				
③49065	49065-2078	1	Filter-Oil				
③49065A	49065-7004	1	Filter-Oil				
③49116	49116-7001	1	Valve ASM				
③59051A	59051-7011	1	Gear-Spur				
③59071	59071-7008	1	Joint				
③59231A	59231-7005	1	Filler				
③92043	92043-7003	1	Pin				
③92055	92055-7002	1	O-Ring (6Mm)				
③92066	92066-7003	1	Plug				
③92066A	92066-7007	1	Plug				
③92140	92140-7003	1	Ball				
③92145	92145-7002	1	Spring				
③92210	92210-7012	1	Nut				
③130	130B0612	3	Bolt-Flanged (6X12)				
③670	670D2016	3	O-Ring (16Mm)				



Cooling Equipment Assembly Kawasaki FH500V-BS36

Ref	Part No.	Qty.	Description
● 130	130B0612	2	Bolt-Flanged (6X12)
● 130A	130B0616	5	Bolt-Flanged (6X16)
● 130C	130B0625	2	Bolt-Flanged (6X25)
● 130D	130B0816	1	Bolt-Flanged (8X16)
● 311	311B0600	2	Nut-Hex (6Mm)
● 14037	14037-7001	1	Screen
● 23062	23062-7002	1	Bracket-Comp
● 49089A	49089-7002	1	Shroud-Engine
● 49089C	49089-7032	1	Shroud-Engine
● 49089E	49089-7034	1	Shroud-Engine
● 55020	55020-7004	1	Guard
● 59041	59041-7001	1	Fan
● 59066	59066-7002	1	Housing-Fan
● 92004	92004-7006	2	Stud
● 92026A	92026-7002	1	Spacer, 6.5X7.9X10.5
● 92153	92153-7007	3	Bolt
● 92153A	92153-7008	1	Bolt
● 92210	92210-0003	4	Nut

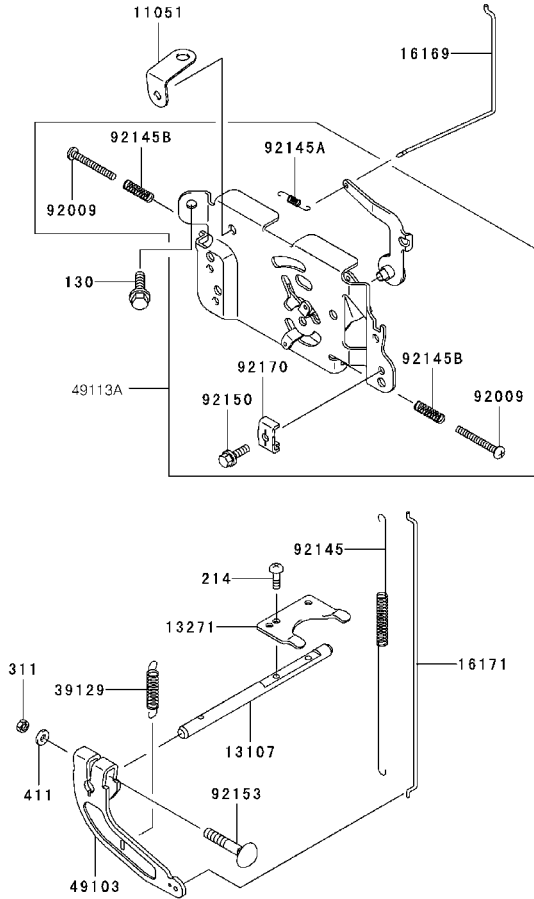
--	--	--	--



Electric Equipment Assembly Kawasaki FH500V-BS36

Ref	Part No.	Qty.	Description
③21066B	21066-7011	1	Regulator-Voltage
③21171A	21171-7007	2	Coil-ASM-Ignition
③21193	21193-7007	1	Flywheel ASM
③26011	26011-7001	1	Wire-Lead
③26030	26030-7001	1	Harness
③59031	59031-7001	1	Coil-Charging
③92004A	92004-7009	2	Stud
③92009	92009-2308	2	Screw
③92066	92066-7002	1	Plug
③92070	92070-7003	2	Plug-Spark (R C J 8 Y, Solid)
③92072	92072-7003	2	Band
③92151	92151-2097	1	Bolt (12X30)
③92200	92200-7002	1	Washer
③130	130B0620	2	Bolt-Flanged (6X20)
③224	224B0520	4	Screw-Pan (5X20)
③311	510A5100	2	Key-Woodruff
③510	510A5100	1	Key-Woodruff

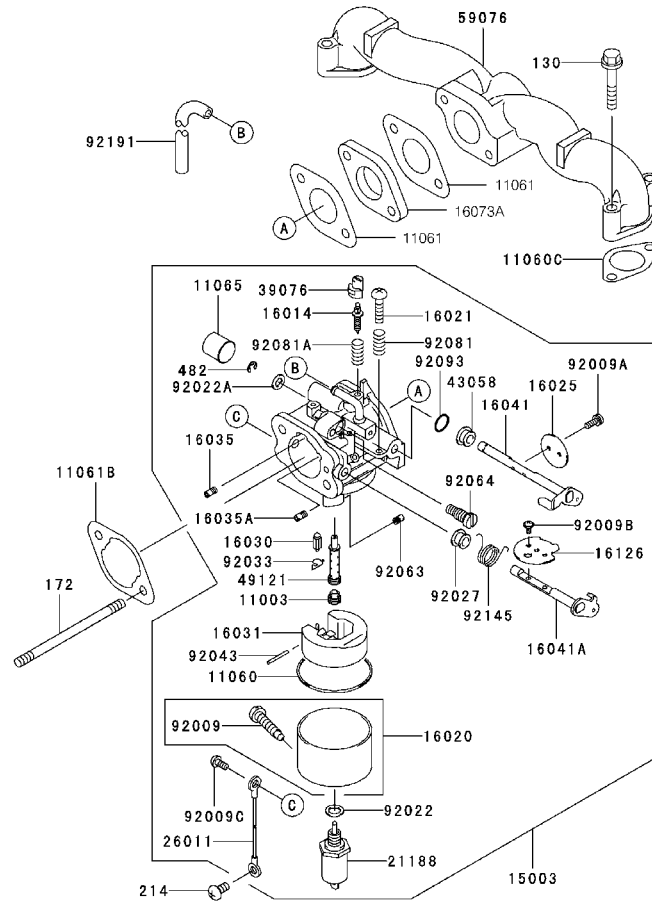
--	--	--	--



Control Equipment Assembly Kawasaki FH500V-BS36

Ref	Part No.	Qty.	Description
③11051	11051-7008	1	Bracket
③13107	13107-7010	1	Shaft
③13271	13271-7018	1	Plate
③16169	16169-7010	1	Link-Choke
③16171	16171-7001	1	Link
③39129	39129-7003	1	Spring-Governor
③49103	49103-7002	1	Arm-Governor
③49113A	49113-7027	1	Panel-Control
③92009	92009-7007	2	Screw (4X35)
③92145	92145-7003	1	Spring
③92145A	92145-7004	1	Spring
③92145B	92145-7005	2	Spring
③92150	92150-2182	1	Bolt (5X18)
③92153	92153-7005	1	Bolt (6X35)
③92170	92170-7001	1	Clamp
③130	130B0612	2	Bolt-Flanged (6X12)
③214	214B0408	2	Screw-Pan (4X8)
③311	311B0600	1	Nut-Hex (6Mm)
③411	411B0600	1	Washer-Plain (6Mm)

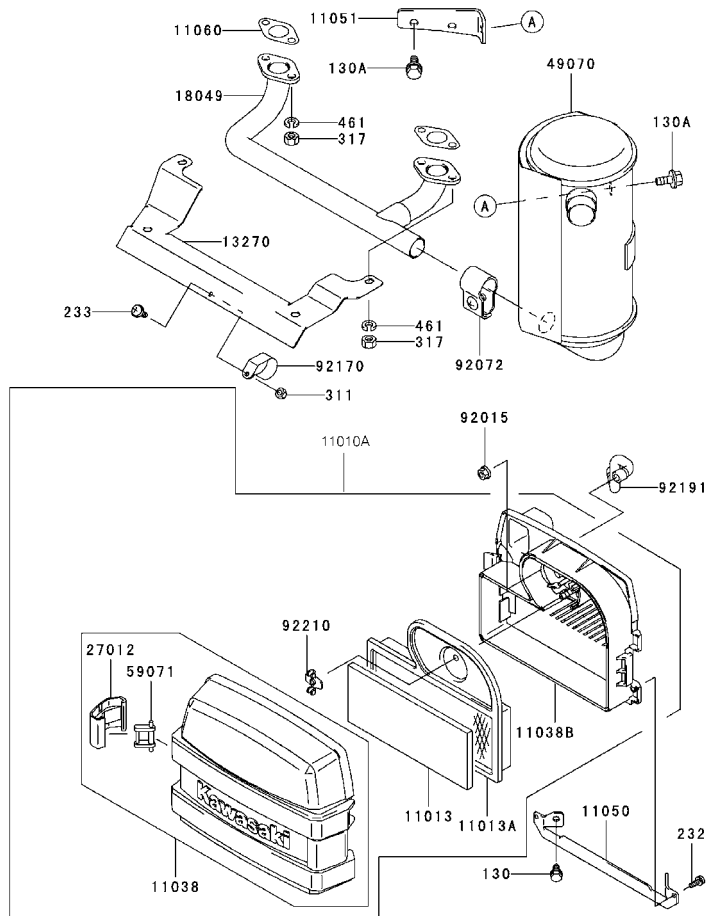
--	--	--	--



Carburetor Assembly Kawasaki FH500V-BS36

Ref	Part No.	Qty.	Description
③11003	11003-2105	1	Seat-Valve
③11060	11060-2406	1	Gasket, Chamber
③11060C	11060-7005	2	Gasket, Manifold
③11061	11061-7004	2	Gasket-Insulator
③11061B	11061-7018	1	Gasket-Cleaner, Air
③11065	11065-2061	1	Cap
③15003	15003-7037	1	Carburetor-ASM
③16014	16014-2080	1	Screw-Pilot Air
③16020	16020-2141	1	Chamber-Float
③16021	16021-2060	1	Screw-Throttlestop
③16025	16025-2195	1	Valve-Throttle, #130
③16030	16030-2067	1	Valve-Float
③16031	16031-2066	1	Float
③16035	16035-2077	1	Jet-Air, #0.8
③16035A	16035-2081	1	Jet-Air, #2.0
③16041	16041-2253	1	Shaft-Carburetor, Throttle
③16041A	16041-7006	1	Shaft-Carburetor
③16073A	16073-7007	1	Insulator
③16126	16126-7008	1	Valve
③21188	21188-2011	1	Solenoid
③26011	26011-2281	1	Wire-Lead
③39076	39076-2053	1	Limiter
③43058	43058-3716	1	Ring
③49121	49121-2231	1	Nozzle-Main #112B

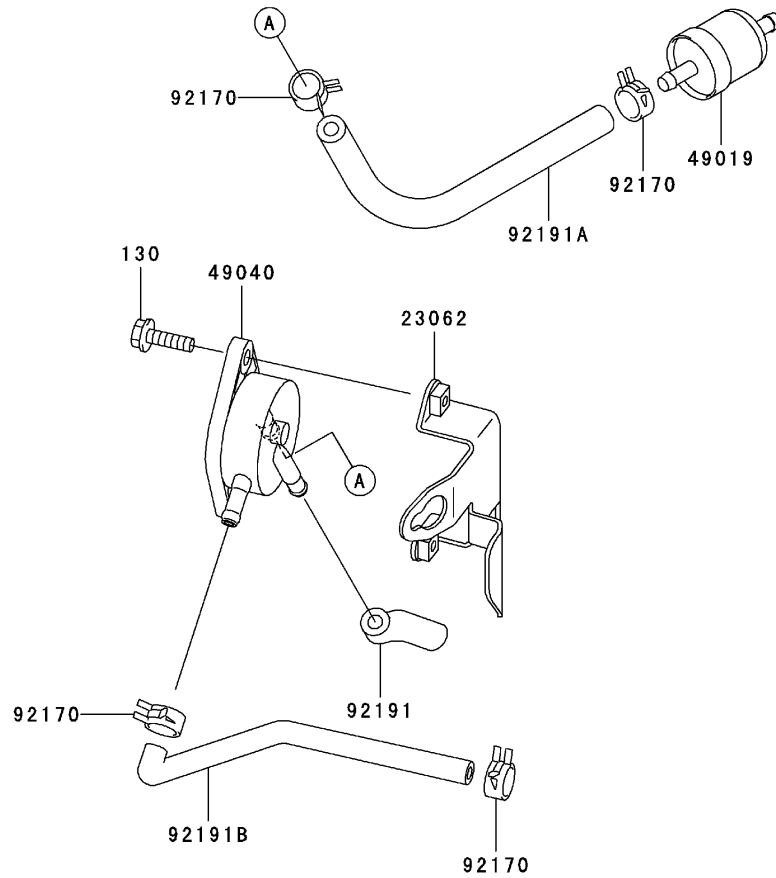
Ref	Part No.	Qty.	Description
③59076	59076-7001	1	Manifold-Intake
③92009	92009-2015	1	Screw
③92009A	92009-2024	2	Screw
③92009B	92009-2081	2	Screw
③92009C	92009-2400	1	Screw
③92022	92022-2231	1	Washer
③92022A	92022-2239	1	Washer
③92027	92027-2025	1	Collar
③92033	92033-2067	1	Ring-Snap
③92043	92043-2226	1	Pin
③92063	92063-2380	1	Jet-Main, #106.3
③92064	92064-2127	1	Jet-Pilot, #42.5
③92081	92081-2009	1	Spring
③92081A	92081-2256	1	Spring
③92093	92093-2002	1	Seal
③92145	92145-2061	1	Spring
③92191	92191-7016	1	Tube
③130	130B0635	4	Bolt-Flanged (6X35)
③172	172G0685	2	Bolt-Stud
③214	214B0510	1	Screw-Pan (5X10)
③482	482L4000	1	Circlip-Type-E



Air Filter and Muffler Assembly Kawasaki FH500V-BS36

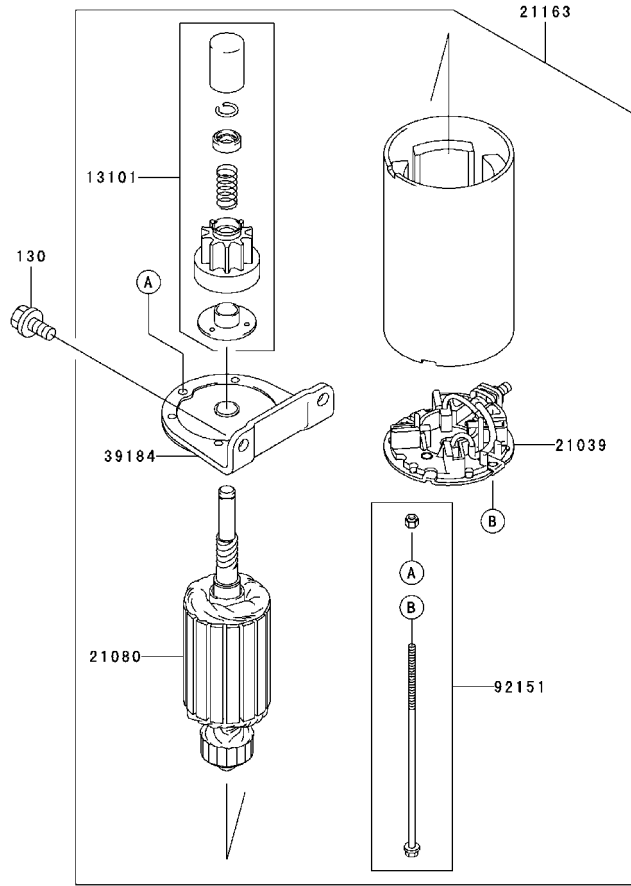
Ref	Part No.	Qty.	Description
③11010A	11010-7007	1	Filter-ASM-Air
③11013	11013-7001	1	Element-Filter, Air
③11013A	11013-7002	1	Element-Filter, Air
③11038	11038-7001	1	Case-ASM-Air Filter
③11038B	11038-7006	1	Air Filter Case ASM
③11050	11050-7006	1	Bracket
③11051	11051-7005-9H	1	Bracket
③11060	11060-7021	2	Gasket-Muffler
③13270	13270-7008	1	Plate
③18049	18049-7001	1	Pipe-Exhaust
③27012	27012-7001	2	Hook-Filter, Air
③49070	49070-7002	1	Muffler-Comp
③59071	59071-7001	2	Joint
③92072	92072-7008	1	Band
③92015	92015-1193	2	Nut
③92170	92170-7002	1	Clamp
③92191	92191-7001	1	Tube
③92210	92210-7004	1	Nut
③130	130B0612	2	Bolt-Flanged (6X12)
③130A	130B0816	2	Bolt-Flanged (8X16)
③232	232B0514	2	Screw-Pan
③233	233B0416	1	Screw (4X16)
③311	311B0400	1	Nut-Hex (4Mm)

Ref	Part No.	Qty.	Description
③317	317R0800	4	Nut-Hex, Small (8Mm)
③461	461F0800	4	Washer-Spring (8Mm)



Fuel Tank/Fuel Valve Assembly Kawasaki FH500V-BS36

Ref	Part No.	Qty.	Description				
②	23062-7004-9H	1	Bracket				
②	49019-7001	1	Filter-Fuel				
②	49040-7001	1	Pump-Fuel				
②	92170-2088	4	Clamp				
②	92191-7002	1	Tube				
②	92191A-7003	1	Tube (6.35X12.7X160)				
②	92191B-7004	1	Tube				
②	130B0620	2	Bolt-Flanged (6X20)				



Starter Assembly Kawasaki FH500V-BS36

Ref	Part No.	Qty.	Description
● 13101	13101-7001	1	Gear ASM
● 21039	21039-7001	1	Brush
● 21080	21080-7001	1	Armature
● 21163	21163-7001	1	Starter-Electric
● 39184	39184-7001	1	Bracket ASM
● 92151	92151-7013	1	Bolt
● 130	130B0816	2	Bolt-Flanged (8X16)

--	--	--	--

NOTES

